



August 16, 2010

Planning File: AMD 10-047

George D'Amico
Davinci Sign Systems Inc
4496 Bents Dr
Windsor, Co 80550

Regarding: Site Plan Amendment, Administrative Approval
Parker Square Tract 4 Animal Clinic Of Parker Site Plan Amendment 2
Location: 19557 Parker Square Dr, Southern Elevation

Dear Applicant;

The Town of Parker has reviewed the proposed Site Plan Amendment for the above referenced property and/or project. It is the Town's understanding that the proposal is for the construction of fabric window awnings on the south side windows. The awning color will be maroon/dark red, which is the the same color as the new sign's channel letters.

This letter is to inform you that the requested modifications to the Animal Clinic of Parker's Site Plan 2nd Amendment at 19557 Parker Square Dr, Southern Elevation, has been administratively approved with the following condition:

1. The Site Plan Amendment exhibits submitted to the Community Development Department on August 10, 2010, shall be the approved plans. **Any alteration, modification, substitution, or revision to these plans shall be at the discretion of the Community Development Director, who reserves the right to require said proposed changes be approved by the Planning Commission.**
2. This Site Plan Amendment shall not include signage and shall be in conformance with the current Town of Parker Municipal Code Title 13, Land Development, as amended.
3. All other department permits and conditions shall be complied with.

Should you have any questions pertaining to this approval, please feel free to contact me or Suzanne Freund at 303.841.2332.

Sincerely,

Fred Starr, AICP,
Deputy Town Administrator for Development Services
Town of Parker Community Development Department

cc: Steve Greer, Development Review Manager
File



APPROVED
AUG 17 2010
Spind.
PLANNER SA #3
Amd-10-047

Job Name: _____

Address: _____

Designer: CASEYEASTON

Sales: GEORGEDAMICO

Scale: Noted

Date: 07.01.10

Revisions: _____

Customer Approval:

_____ Date: _____

Without Changes
 With Changes As Shown

Electrical hookup by others.
Electrical requirements: 120V or as indicated.
All landscaping by others.

This artwork is copyrighted, and the exclusive property of DaVinci Sign Systems. It is the result of the original work of its employees, and is submitted to your organization for the sole purpose of your consideration of whether to purchase from DaVinci Sign Systems. Distribution or exhibition of this artwork to anyone other than employees of your organization, or the use of this artwork to construct a similar sign is strictly prohibited. In the event your organization fails to comply with the stipulations outlined above, DaVinci Sign Systems expects to be compensated \$1000 for its original design work. At any time you may purchase this artwork for \$1000, at which point you may use it however you see fit.

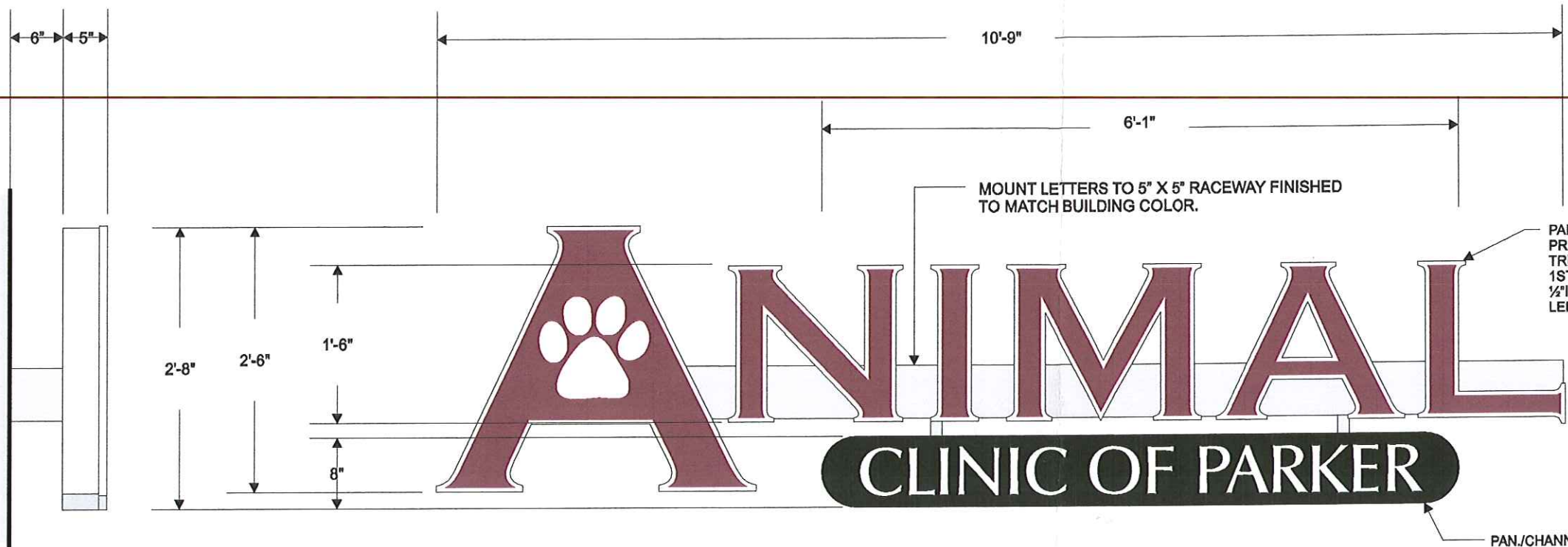
Sales Approval:

_____ Date: _____

Production Approval:

_____ Date: _____

Design #
10-355R1
Page: **1** of: **2**

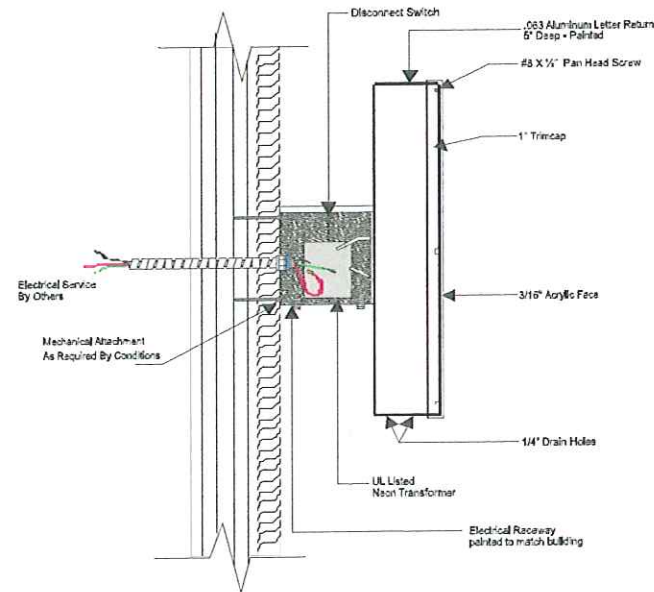


END VIEW

1 ILLUMINATED PAN./CHAN. LETTERS ON RACEWAYS
QUANTITY: 2 MANUFACTURE AND INSTALL

SCALE: 3/4"=1'-0"

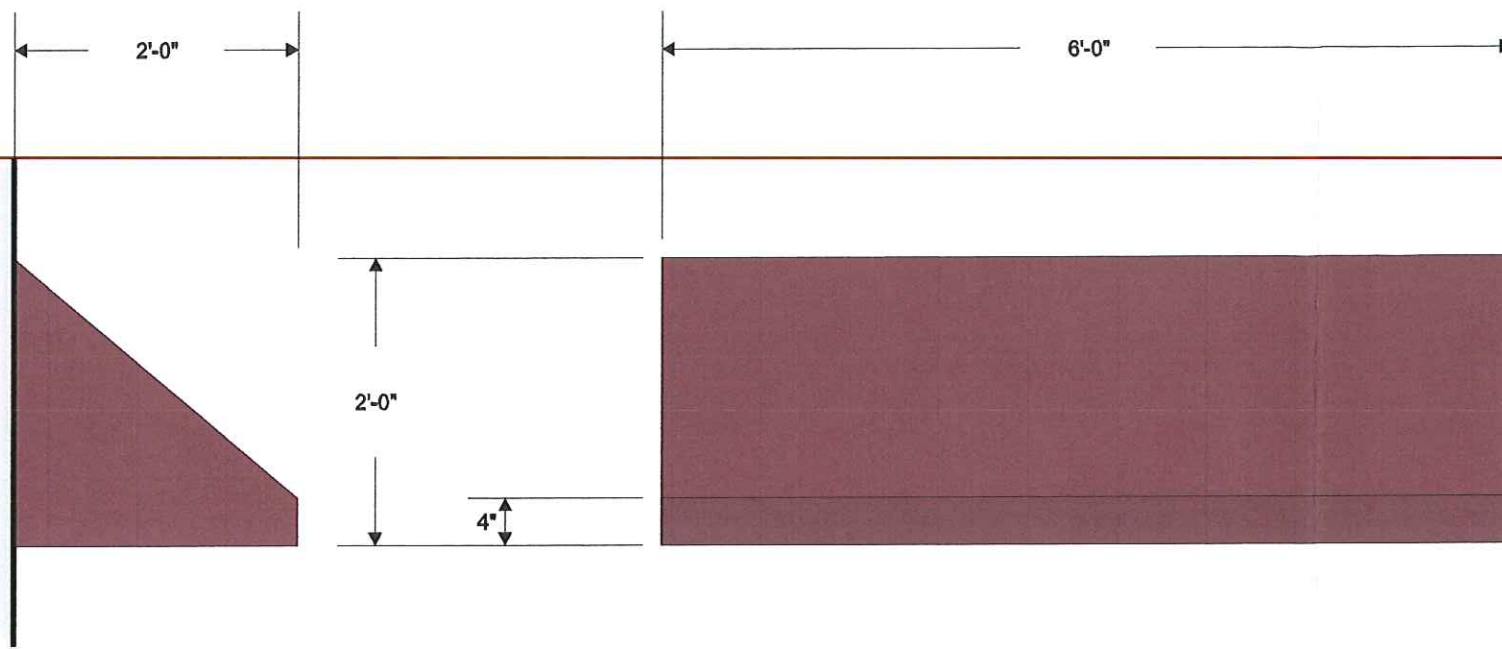
PAN/CHANNEL TAGLINE CONSTRUCTED OF PRE-FINISHED WHITE ALUMINUM WITH 1" WHITE TRIMCAP. FACES TO BE #7328 WHITE ACRYLIC WITH 1ST SURFACE OPAQUE BLACK FILM COPY REVERSED OUT TO WHITE. ILLUMINATE WITH WHITE LED'S.



REMOVE EXISTING AWNING



REMOVE EXISTING AWNING



APPROVED

AUG 17 2010

SPD

PLANNER SPA #3

AMD-10-047

SQ./T. FRAME SKINNED WITH SUMBRELLA #8631 BURGUNDY FABRIC AWNING MATERIAL.

END VIEW

2 NON-ILLUMINATED AWNING DISPLAYS SCALE: 3/4"=1'-0"

QUANTITY: 7 MANUFACTURE AND INSTALL



DA VINCI SIGN SYSTEMS, INC.
the art and science of identification
 4496 Bemis Dr.
 Windsor, CO 80550
 www.davinclsign.com
 Ft. Collins: (970) 203-9292
 Fax: (970) 203-9283
 Denver: (303) 573-7446
 Greeley: (970) 353-8446

UL BBB CRAVIER DENVER METRO CHAMBER OF COMMERCE Local Chapter of Colorado

Job Name: _____

Address: _____

Designer: CASEYEASTON

Sales: GEORGEDAMICO

Scale: Noted

Date: 07.01.10

Revisions: _____

Customer Approval:

_____ **Date:** _____

Without Changes

With Changes As Shown

Electrical hookup by others.
 Electrical requirements: 120V or as indicated.
 All landscaping by others.

This artwork is copyrighted, and the exclusive property of DaVinci Sign Systems. It is the result of the original work of its employees, and is submitted to your organization for the sole purpose of your consideration of whether to purchase from DaVinci Sign Systems. Distribution or exhibition of this artwork to anyone other than employees of your organization, or the use of this artwork to construct a similar sign is strictly prohibited. In the event your organization fails to comply with the stipulations outlined above, DaVinci Sign Systems expects to be compensated \$1000 for its original design work. At any time you may purchase this artwork for \$1000, at which point you may use it however you see fit.

Sales Approval:

_____ **Date:** _____

Production Approval:

_____ **Date:** _____

Design #

10-355R1

Page: 2 of: 2

© Copyright 2010
 DaVinci Sign