



MATCHLINE - SEE SHEET IR-2

IRRIGATION LEGEND

Qty	Symbol	Description
8	■	TORO 8-H PRECISION SERIES NOZZLE WITH HUNTER PROS-06-PRS30-CV 6" POP UP SPRINKLER ASSEMBLY - SEE DETAIL
1	◆	TORO 8-Q PRECISION SERIES NOZZLE WITH HUNTER PROS-06-PRS30-CV 6" POP UP SPRINKLER ASSEMBLY - SEE DETAIL
2	■	TORO 8-T PRECISION SERIES NOZZLE WITH HUNTER PROS-06-PRS30-CV 6" POP UP SPRINKLER ASSEMBLY - SEE DETAIL
48	⊙	TORO 10-H PRECISION SERIES NOZZLE WITH HUNTER PROS-06-PRS30-CV 6" POP UP SPRINKLER ASSEMBLY - SEE DETAIL
2	⊙	TORO 10-Q PRECISION SERIES NOZZLE WITH HUNTER PROS-06-PRS30-CV 6" POP UP SPRINKLER ASSEMBLY - SEE DETAIL
18	⊙	TORO 15-H PRECISION SERIES NOZZLE WITH HUNTER PROS-06-PRS30-CV 6" POP UP SPRINKLER ASSEMBLY - SEE DETAIL
2	⊙	TORO 15-Q PRECISION SERIES NOZZLE WITH HUNTER PROS-06-PRS30-CV 6" POP UP SPRINKLER ASSEMBLY - SEE DETAIL
1	■	TORO 4X15 RCS PRECISION SERIES NOZZLE WITH HUNTER PROS-06-PRS30-CV 6" POP UP SPRINKLER ASSEMBLY - SEE DETAIL
2	■	TORO 4X30 SST PRECISION SERIES NOZZLE WITH HUNTER PROS-06-PRS30-CV 6" POP UP SPRINKLER ASSEMBLY - SEE DETAIL
1	⊙	HUNTER MP ROTATOR MP CORNER (TURQUOISE) NOZZLE WITH HUNTER PROS-06-PRS40-CV 6" POP UP SPRINKLER ASSEMBLY - SEE DETAIL
22	⊙	HUNTER MP ROTATOR MP LEFT STRIP (IVORY) NOZZLE WITH HUNTER PROS-06-PRS40-CV 6" POP UP SPRINKLER ASSEMBLY - SEE DETAIL
19	⊙	HUNTER MP ROTATOR MP RIGHT STRIP (COPPER) NOZZLE WITH HUNTER PROS-06-PRS40-CV 6" POP UP SPRINKLER ASSEMBLY - SEE DETAIL
50	⊙	HUNTER MP ROTATOR MP SIDE STRIP (BROWN) NOZZLE WITH HUNTER PROS-06-PRS40-CV 6" POP UP SPRINKLER ASSEMBLY - SEE DETAIL
27	⊙	HUNTER MP ROTATOR MP1000 180 DEG (MAROON) NOZZLE WITH HUNTER PROS-06-PRS40-CV 6" POP UP SPRINKLER ASSEMBLY - SEE DETAIL
1	⊙	HUNTER MP ROTATOR MP1000 360 DEG (OLIVE) NOZZLE WITH HUNTER PROS-06-PRS40-CV 6" POP UP SPRINKLER ASSEMBLY - SEE DETAIL
18	⊙	HUNTER MP ROTATOR MP1000 90 DEG (MAROON) NOZZLE WITH HUNTER PROS-06-PRS40-CV 6" POP UP SPRINKLER ASSEMBLY - SEE DETAIL
12	⊙	HUNTER MP ROTATOR MP2000 90 DEG (BLACK) NOZZLE WITH HUNTER PROS-06-PRS40-CV 6" POP UP SPRINKLER ASSEMBLY - SEE DETAIL
5	⊙	HUNTER MP ROTATOR MP2000 120 DEG (BLACK) NOZZLE WITH HUNTER PROS-06-PRS40-CV 6" POP UP SPRINKLER ASSEMBLY - SEE DETAIL
57	⊙	HUNTER MP ROTATOR MP2000 180 DEG (BLACK) NOZZLE WITH HUNTER PROS-06-PRS40-CV 6" POP UP SPRINKLER ASSEMBLY - SEE DETAIL
2	⊙	HUNTER MP ROTATOR MP2000 210 DEG (GREEN) NOZZLE WITH HUNTER PROS-06-PRS40-CV 6" POP UP SPRINKLER ASSEMBLY - SEE DETAIL
5	⊙	HUNTER MP ROTATOR MP2000 360 DEG (RED) NOZZLE WITH HUNTER PROS-06-PRS40-CV 6" POP UP SPRINKLER ASSEMBLY - SEE DETAIL
19	⊕	HUNTER ICV-101G-AS 1" PRESSURE REGULATING DRIP REMOTE CONTROL VALVE ASSEMBLY WITH RAIN BIRD QCKCHK BASKET FILTER - SEE DETAIL
6	⊕	HUNTER ICV-101G-AS 1" PRESSURE REGULATING REMOTE CONTROL VALVE ASSEMBLY - SEE DETAIL
2	⊕	HUNTER ICV-151G-AS 1-1/2" PRESSURE REGULATING REMOTE CONTROL VALVE ASSEMBLY - SEE DETAIL
1	⊕	WEATHERMATIC SL1600-3YR-BUNDLE-FLOW - SMARTLINE 48 STATION ET BASED 2-WIRE WALL MOUNT CONTROLLER INCLUDES SLW5 WEATHER SENSOR AND SMARTLINK FLOW AIR CARD
13	⊕	HUNTER HQ-5RC 1" QUICK COUPLING VALVE ASSEMBLY - SEE DETAIL
8	⊕	MATCO 10RS 2" THREADED RESILIENT WEDGE GATE VALVE ASSEMBLY - SEE DETAIL
1	⊕	NIBCO T113-IRR 1-1/2" BRONZE GATE ISOLATION VALVE ASSEMBLY - SEE DETAIL
2	⊕	LASCO 101N TUBV 1" PVC THREADED BALL VALVE FOR GOLF COURSE WATER FEATURE FILL - SEE DETAIL
52	⊕	MANUAL DRIP LINE FLUSH VALVE ASSEMBLY - SEE DETAIL
1	⊕	2" INCH NON-POTABLE TAP & WATER METER
2,900 LF	—	2" CL200 PVC SOLVENT WELD MAINLINE PIPE - 24" BURY
300 LF	—	1-1/2" CL200 PVC SOLVENT WELD MAINLINE PIPE - 24" BURY
4,140 LF	—	1" CL200 PVC SOLVENT WELD LATERAL PIPE - 18" BURY
100 LF	—	1-1/4" CL200 PVC SOLVENT WELD LATERAL PIPE - 18" BURY
120 LF	—	1-1/2" CL200 PVC SOLVENT WELD LATERAL PIPE - 18" BURY
260 LF	—	2" CL200 PVC SOLVENT WELD LATERAL PIPE - 18" BURY
1,000 LF	—	1" CL 200 PVC SOLVENT WELD PIPE TO ANNAUL BEDS - 18" BURY
7,000 LF	—	1" POLYETHYLENE DRIP HEADER TUBING
2,000 LF	—	2" CL200 PVC DRIP HEADER SLEEVE PIPE
100 LF	—	3" CL200 PVC LATERAL SLEEVE PIPE
860 LF	—	4" CL200 PVC MAINLINE SLEEVE PIPE WITH SEPARATE 3" CL200 PVC WIRE SLEEVE

IRRIGATION NOTES

- IRRIGATION SYSTEM DESIGNED FOR 50 PSI DYNAMIC PRESSURE. CONTRACTOR TO STATIC PRESSURE PRIOR TO INSTALLATION. STATIC PRESSURE MUST BE MINIMUM 70 PSI.
- ALL SLEEVE PIPE OPENINGS SHALL BE DOUBLE WRAPPED WITH 6 MIL POLYETHYLENE PLASTIC AND SECURED USING WIRE "ZIP" TIES AROUND SLEEVE AND PIPE.
- MINIMUM PIPE SIZE SHALL BE 1" DIAMETER UNLESS OTHERWISE NOTED ON PLAN.
- PIPE HOPS FOR DRIP LINE HEADER NOT SHOWN ON PLANS FOR CLARITY PURPOSES. UNDER NO CIRCUMSTANCES SHALL DRIP HEADER LINE BE CONNECTED TO LATERALS LINES OR MAINLINE.
- CONTRACTOR SHALL PROVIDE 120 VOLT 15 AMP ELECTRICAL SERVICE TO CONTROLLER LOCATION.
- ACTUAL CONTROLLER LOCATION SHALL BE DETERMINED IN THE FIELD BY OWNERS REPRESENTATIVE.
- DRIP EMITTERS SHALL BE PRESSURE COMPENSATING TYPE. DRIP EMITTER LOCATIONS ARE NOT SHOWN ON PLAN FOR GRAPHICAL PURPOSES. EMITTERS SHALL BE INSTALLED PER THE FOLLOWING QUANTITIES:
 #2 CONTAINER = TWO 0.5 GPH EMITTERS
 #5 CONTAINER = TWO 1.0 GPH EMITTERS
 2" CALIPER TREE = 36" DRIP RING W/ .6 GPH EMITTERS/24" SPACING
 6'- 8' CONIFER = 48" DRIP RING W/ .6 GPH EMITTERS/24" SPACING
 3" CALIPER TREE = 48" DRIP RING W/ .6 GPH EMITTERS/24" SPACING
- CONTRACTOR SHALL INSTALL WEATHERMATIC SLFSI-T20 2" FLOW SENSOR AT POINT OF CONNECTION LOCATION. INSTALL FLOW SENSOR DOWNSTREAM OF MASTER VALVE AND RUN MANUFACTURER RECOMMENDED COMMUNICATION WIRE TO CONTROLLER. AND MAKE ALL NECESSARY CONNECTIONS FOR PROPER OPERATION. FLOW SENSORS SHALL BE LINE SIZE AND INSTALLED PER MANUFACTURERS RECOMMENDATIONS.
- CONTRACTOR SHALL PROVIDE 3 YEARS OF WEB ACCESS SERVICE FOR THE CONTROLLER NETWORK. SUBSCRIPTION SHALL COMMENCE AT THE START OF THE FIRST OPERATIONAL GROWING SEASON.
- CONTRACTOR SHALL PROVIDE AND INSTALL WEATHERMATIC SLW5 WEATHER SENSOR AT CONTROLLER LOCATION.

TWO WIRE CONTROLLER NOTES

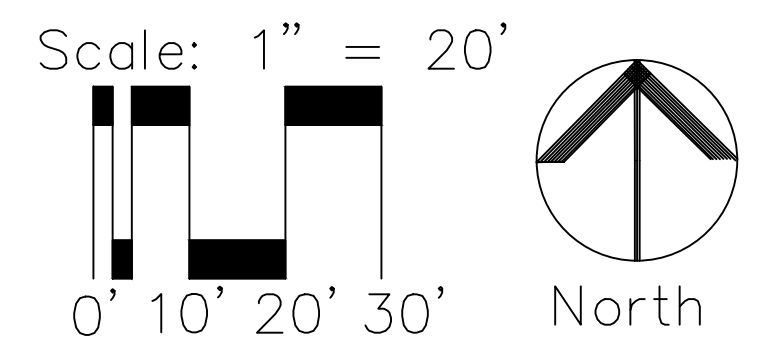
- TWO WIRE DECODER CONTROL WIRE SHALL BE WEATHERMATIC SLWIRE 14-2 TWISTED PAIR WIRE AND SHALL MEET ALL CONTROLLER MANUFACTURERS RECOMMENDATIONS.
- CONTRACTOR SHALL PROVIDE AND INSTALL WEATHERMATIC SLDEC SERIES DECODERS AS REQUIRED TO COMPLETE SYSTEM INSTALLATION AND OPERATION. MULTIPLE ADDRESS DECODERS MAY BE USED WHERE REMOTE CONTROL VALVES ARE IN CLOSE PROXIMITY TO EACH OTHER. ONLY ONE SOLENOID PER ADDRESS IS ALLOWED.
- INSTALL WEATHERMATIC SLGDT LIGHTNING ARRESTOR/SURGE PROTECTION AND GROUND GROUND ROD AT CONTROLLER LOCATION. CONTROL WIRE END, AND EVERY 500 LF OF CONTROL WIRE. GROUNDING MUST OBTAIN 10 OHMS OF RESISTANCE OR LOWER AS TESTED WITH APPROPRIATE EARTH GROUND RESISTANCE TESTER. EARTH GROUND TESTS SHALL BE PERFORMED BY A QUALIFIED TECHNICIAN PROVIDED BY THE CONTROLLER SUPPLIER.

VALVE ID KEY

A1	STATION NUMBER
1/3	PRECIPITATION RATE (in/hr)
1/32	STATION FLOW (GPH)
	VALVE SIZE

GENERAL NOTES

- THIS SYSTEM IS INTENDED TO UTILIZE A NON-POTABLE WATER SOURCE. ALL PIPING, SPRINKLERS, EMISSION DEVICES, AND CONTROL VALVES SHALL INCLUDE PURPLE, NON POTABLE WARNINGS AND MARKINGS.
- BACK FLOW PREVENTION, IF REQUIRED, SHALL BE INSTALLED TO MEET ALL LOCAL CODES.
- CONTOUR PLAN OF SITE NOT AVAILABLE AT TIME OF DESIGN. PLAN ASSUMES MAXIMUM ELEVATION DIFFERENCE OF +/- 10' BETWEEN POC AND CONTROL VALVE 1-13.
- ALL PIPING SHOWN ON PLANS IS DIAGRAMMATIC AND LOCATIONS SHOWN ARE FOR CLARITY ONLY. ALL PIPING SHALL BE ROUTED IN PLANTING AREAS AND SHALL AVOID TREE LOCATIONS. PIPING SHALL MAINTAIN A MINIMUM OF 10 LF FROM TREE ROOT BILLS.
- DRIP HEADER LINES SHOWN ON PLANS INDICATE PROXIMITY OF DRIP ZONES. ALL TREES AND SHRUBS SHALL INCLUDE EMITTERS AND/OR DRIP RINGS. REFER TO NOTES FOR EMITTER SIZE AND QUANTITIES. EMITTER LOCATIONS AND DISTRIBUTION TUBING NOT SHOWN ON PLANS FOR GRAPHICAL AND CLARITY PURPOSES. ZONES ARE DESIGNED TO ACCOMMODATE 5 GPM NOT TO EXCEED 10 GPM
- REMOTE CONTROL VALVES FOR TURF SHALL BE INSTALLED IN ADJACENT SHRUB BEDS OR WITHIN 2LF OF WALKWAYS AND CURBS OR IN TURF AREAS NOT CONTROLLED BY VALVE IN QUESTION.
- ANY QUANTITIES SHOWN ON PLAN ARE ESTIMATED QUANTITIES ONLY. FIELD CONDITIONS MAY VARY AND MAY ALTER ACTUAL QUANTITIES. CONTRACTOR TO VERIFY FIELD CONDITIONS PRIOR TO INSTALLATION.
- ALL SPRINKLER NOZZLES SHALL BE ADJUSTED FOR OPTIMUM COVERAGE AND MINIMUM OVERSPRAY.
- REMOTE CONTROL VALVES SHALL BE INSTALLED PER DETAILED DRAWINGS AND SHALL HAVE ONE CONTROL VALVE PER VALVE BOX.
- ALL ELECTRICAL WORK SHALL BE IN COMPLIANCE WITH N.E.C. AND ALL LOCAL CODES.
- CONTRACTOR SHALL BE RESPONSIBLE FOR THE LOCATION OF ALL EXISTING UTILITIES PRIOR TO ANY EXCAVATION.
- ALL TRENCHES SHALL BE BACKFILLED IN 6" LIFTS OF CLEAN SOIL FREE OF ROCKS AND RUBBISH AND COMPACTED TO 95% PROCTOR DENSITY. CONTRACTOR SHALL BE RESPONSIBLE FOR THE LOCATION OF ALL EXISTING UTILITIES PRIOR TO ANY EXCAVATION.
- CARE SHALL BE TAKEN TO ENSURE THAT NO SOIL OR DEBRIS ENTERS THE PIPE DURING INSTALLATION.
- ALL PIPE ENDS SHALL BE PROPERLY CLEANED AND SHALL BE FREE OF ANY BURRS AND/OR SHAVINGS AS A RESULT OF THE PIPE BEING CUT.
- ALL LINES SHALL BE THOROUGHLY FLUSHED PRIOR TO INSTALLATION OF NOZZLES.



Prepared By: Kirby Smith & Associates, Inc.
 Land Planning/Design/Landscape Architecture
 6201 So. Hudson Ct., Centennial, CO 80112
 (303) 694-9444 FAX (303) 694-9672
 Job # 409

CALL UTILITY NOTIFICATION CENTER OF COLORADO
 811
 CALL 2 BUSINESS DAYS IN ADVANCE BEFORE YOU DIG, GRADE, OR EXCAVATE FOR THE MARKING OF UNDERGROUND MEMBER UTILITIES.

REVISIONS

DESCRIPTION	DATE
KG ISLANDS/SMR REV	7/17/15

OWNER

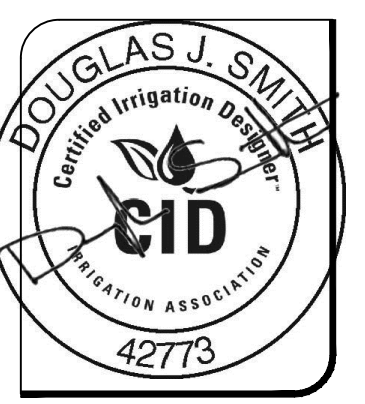
SELECT DEVELOPMENT & CONTRACTING, LLC
 660 EAST FRANKLIN ROAD, MERIDIAN, ID 83642

PROJECT

Woodlands
 Urban Center
 CROWN POINT DEVELOPMENT
 PARKER, CO

COPYRIGHT 2015

Peter H. Rockwell, Architect
 Architecture Planning
 595 S Americana Boulevard Boise, Idaho 83702
 (208) 345-0566 (208) 345-1718 Fax (208) 357-0899
 office@prouse.com



CONSTRUCTION DRAWINGS
 IRRIGATION PLAN
 NORTH

SHEET DATA
 DRAWN BY: DJS
 CHECKED BY: DJS
 SCALE: 1" = 20'
 DATE: 5/29/15
 PROJECT #: 14001

SHEET NUMBER
IR-1



MATCHLINE - SEE SHEET IR-1

MATCHLINE - SEE SHEET IR-3

NOTE: DRIP HEADER LINE SHALL BE INSTALLED IN LANDSCAPE AREAS. LOCATION SHOWN FOR CLARITY ONLY.

REVISIONS	
DESCRIPTION	DATE
REG. LANDS/IRR. REV.	7/17/15

OWNER
SHECT DEVELOPMENT & CONTRACTING, LLC
 660 EAST FRANKLIN ROAD, MERIDIAN, ID 83642

PROJECT
Boondocks
 Food & Fun Center
 CROWN POINT DEVELOPMENT
 PARKER, CO

COPYRIGHT
 2015

Prepared By:
Peter H. Rockwell, Architect
 Architecture, Planning & Interiors
 595 S Americana Boulevard, Suite 1100, Lakewood, CO 80121
 (208) 345-0566 (208) 345-1718 Fax (208) 357-0859
 office@pgrbuse.com

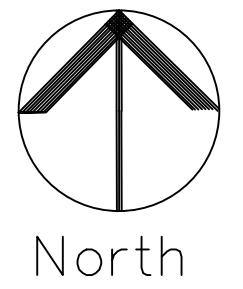
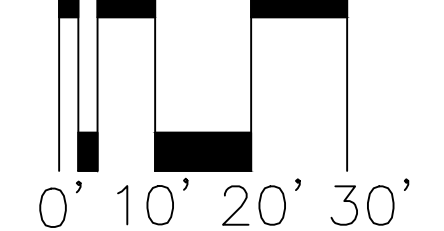


CONSTRUCTION DRAWINGS
 IRRIGATION PLAN
 CENTER

SHEET DATA	
DRAWN BY:	DJS
CHECKED BY:	DJS
SCALE:	1" = 20'
DATE:	5/29/15
PROJECT #:	14001

SHEET NUMBER
IR-2

Scale: 1" = 20'



Prepared By:
 Kirby Smith & Associates, Inc.
 Land Planning/Design/Landscape Architecture
 6201 So. Hudson Ct., Centennial, CO 80112
 (303) 694-9444 FAX (303) 694-9572
 Job # 409

CALL UTILITY NOTIFICATION CENTER OF COLORADO
 811
 CALL 2 BUSINESS DAYS IN ADVANCE BEFORE YOU DIG, GRADE, OR EXCAVATE FOR THE MARKING OF UNDERGROUND MEMBER UTILITIES.

NOTE: DRIP HEADER LINE SHALL BE INSTALLED IN LANDSCAPE AREAS. LOCATION SHOWN FOR CLARITY ONLY.

1-4
1" <10
DRIP
PROPOSED CONTROLLER LOCATION. CONTRACTOR SHALL PROVIDE 120V 15AMP SERVICE TO CONTROLLER.

NOTE: LATERAL LINES MAY BE INSTALLED IN COMMON TRENCH.

1-5
1.12' 33.56
0.43 IPH
1-6
1' 9.86
0.53 IPH
1-7
1" <10
MS/SPRAY
1-8
1" <10
DRIP
1-9
1" <10
DRIP

NOTE: ZONE 1-7 FOR ANNUAL BEDS ONLY. EMISSION DEVICES NOT SHOWN. CONTRACTOR TO PROVIDE HIGH EFFICIENCY SPRAY HEADS OR MICROSPRAY ADAPTERS ON 12" HIGH POP SPRINKLER BODIES. ALL BODIES MUST INCLUDE CHECK VALVES AND PRESSURE REGULATION

1" CL200 PVC GOLF COURSE POND AUTO FILL LINE. INSTALL LASCO 101N TUBV ISOLATION VALVE. AUTO FILL CONTROL VALVE BY GOLF COURSE CONTRACTOR.

NOTE: ALL PIPING UNDER ANY HARDSCAPE SHALL BE SLEEVED IN CL200 PVC SLEEVE PIPE. LOCATIONS NOT SHOWN FOR CLARITY PURPOSES.

1-10
1" <10
DRIP
TRASH CAN LOCATIONS TYP.

1-11
1" 11.88
1.42 IPH
SKULL HOLE W/ BALL COLLECTOR

PLAY THROUGH CAVE W/ VOLCANO AND FALLS T.O.C. = 30.5'

1-12
1" <10
DRIP
PLAY THROUGH CAVE W/ PIRATE FORT AND FALLS T.O.C. = 17.5'

NOTE: ALL PIPING UNDER ANY HARDSCAPE SHALL BE SLEEVED IN CL200 PVC SLEEVE PIPE. LOCATIONS NOT SHOWN FOR CLARITY PURPOSES.

1-18
1" <10
DRIP
1-17
1" <10
MS/SPRAY
1-16
1" 4.43
1.87 IPH

NOTE: ZONE 1-17 FOR ANNUAL BEDS ONLY. EMISSION DEVICES NOT SHOWN. CONTRACTOR TO PROVIDE HIGH EFFICIENCY SPRAY HEADS OR MICROSPRAY ADAPTERS ON 12" HIGH POP SPRINKLER BODIES. ALL BODIES MUST INCLUDE CHECK VALVES AND PRESSURE REGULATION

1-19
1" <10
DRIP

WATER SHOT HOLE

DOCK SCENE
DINGY BOAT

1" CL200 PVC GOLF COURSE POND AUTO FILL LINE. INSTALL LASCO 101N TUBV ISOLATION VALVE. AUTO FILL CONTROL VALVE BY GOLF COURSE CONTRACTOR.

NOTE: ZONE 1-14 FOR ANNUAL BEDS ONLY. EMISSION DEVICES NOT SHOWN. CONTRACTOR TO PROVIDE HIGH EFFICIENCY SPRAY HEADS OR MICROSPRAY ADAPTERS ON 12" HIGH POP SPRINKLER BODIES. ALL BODIES MUST INCLUDE CHECK VALVES AND PRESSURE REGULATION

1-15
1" <10
DRIP
1-14
1" <10
MS/SPRAY

1-13
1" 20.44
0.44 IPH
DROP HOLE W/CANNIBAL SCENE

E-470

REVISIONS	
DESCRIPTION	DATE
KG LANDSVM SRE REV	7/17/15

OWNER

SELECT DEVELOPMENT & CONTRACTING, LLC

660 EAST FRANKLIN ROAD, MERIDIAN, ID 83642

PROJECT

Woodlands

John Gantner
CROWN POINT DEVELOPMENT
PARKER, CO

COPYRIGHT 2015

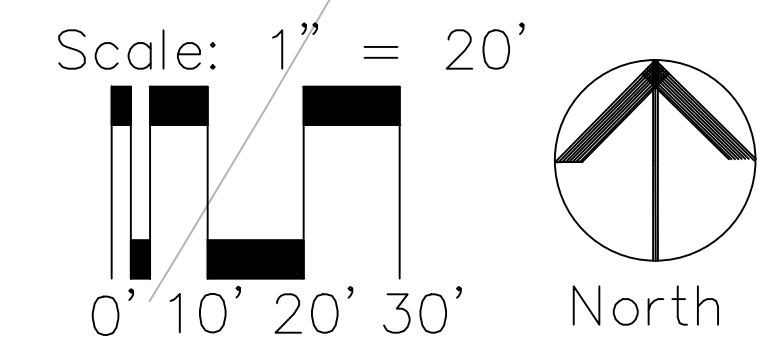
Peter H. Rockwell, Architect
Architecture Planning
595 S Americana Boulevard Boise, Idaho 83702
(208) 345-0566 (208) 345-1718 Fax (208) 357-0859
office@pghouse.com

DOUGLAS J. SMITH
Irrigation Design
42773

CONSTRUCTION DRAWINGS
IRRIGATION PLAN SOUTH

SHEET DATA	
DRAWN BY:	DJS
CHECKED BY:	DJS
SCALE:	1" = 20'
DATE:	5/29/15
PROJECT #:	14001
SHEET NUMBER	

IR-3

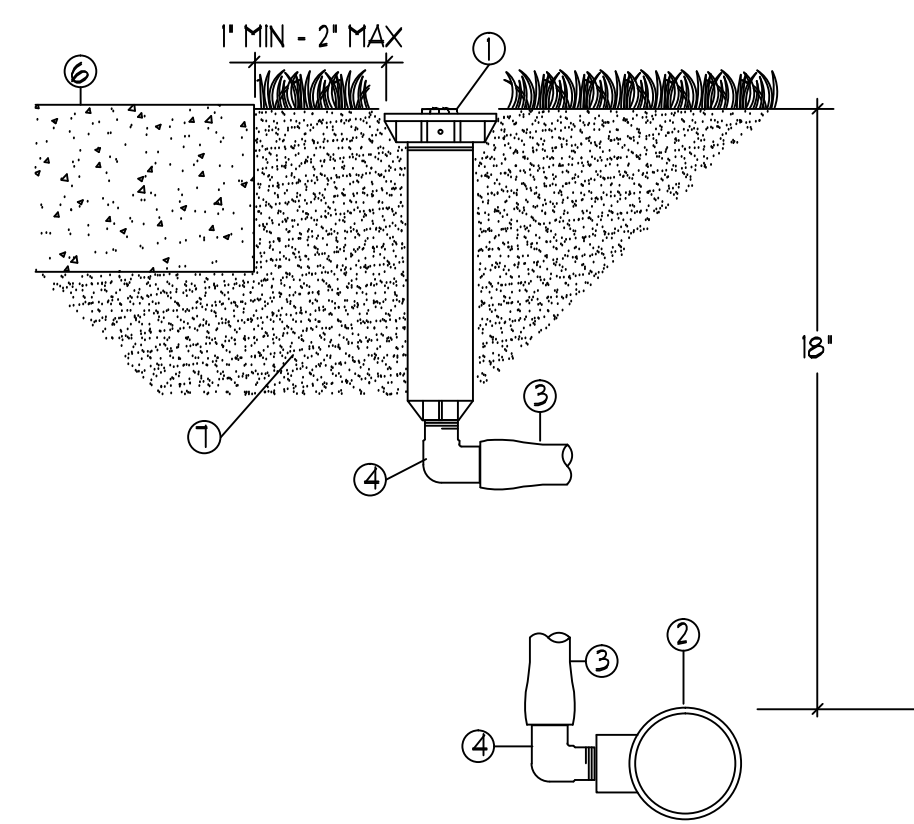


Smith
IRRIGATION DESIGN, LLC
960 HIGH CLIFF STREET, MIDLANDS RANCH, CO 80520
PHONE 303-471-7277 WWW.SMITHIRRIGATION.COM

Prepared By:

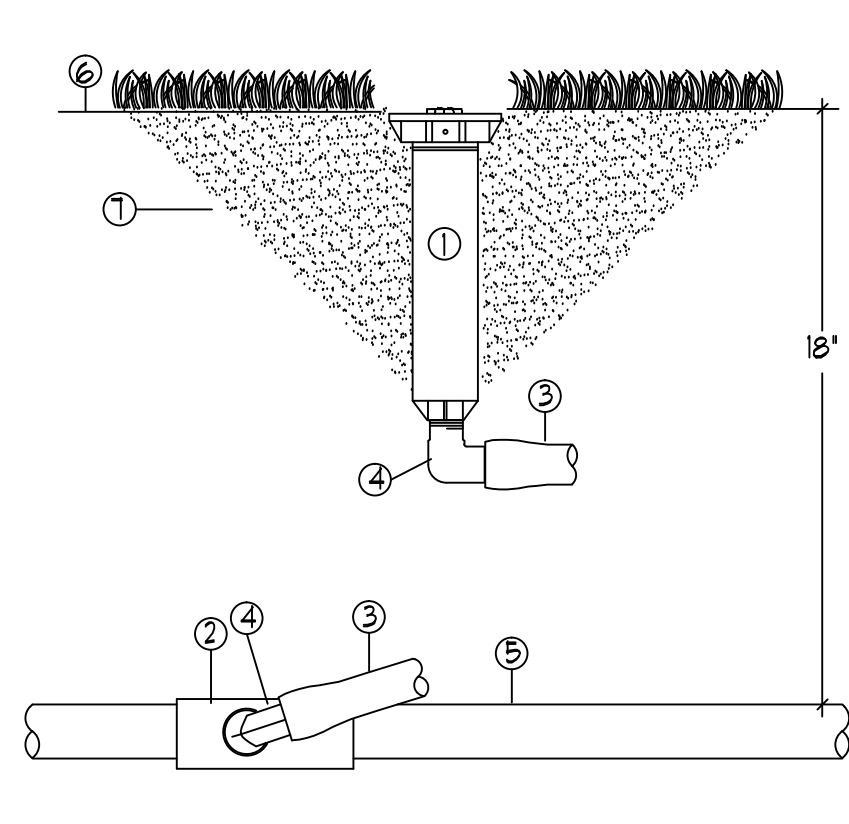
Kirby Smith & Associates, Inc.
Land Planning/Design/Landscape Architecture
6201 So. Hudson Ct., Centennial, CO 80112
(303) 664-9444 FAX (303) 664-6672
Job # 409

CALL UTILITY NOTIFICATION CENTER OF COLORADO
811
CALL 2 BUSINESS DAYS IN ADVANCE BEFORE YOU DIG, GRADE, OR EXCAVATE FOR THE MARKING OF UNDERGROUND MEMBER UTILITIES.



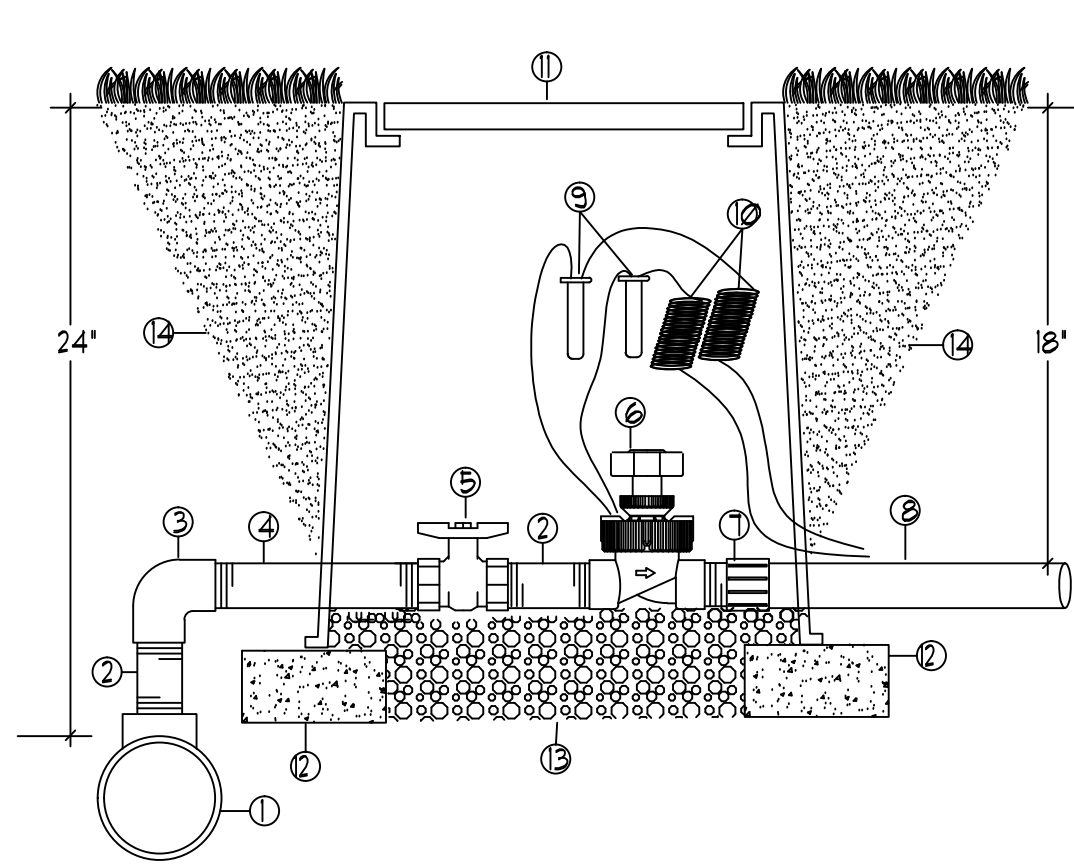
- 1 SPRINKLER HEAD (SEE LEGEND)
- 2 SCH 40 PVC LATERAL FITTING
- 3 RAINBIRD SF SWING PIPE
- 4 RAINBIRD SBE-050 BARBED FITTING
- 5 PVC LATERAL PIPE (SEE LEGEND)
- 6 CONCRETE OR ASPHALT HARDSCAPE
- 7 CLEAN COMPACTED BACKFILL

A FIXED SPRAY SPRINKLER ASSEMBLY
W/ SWING PIPE NT6



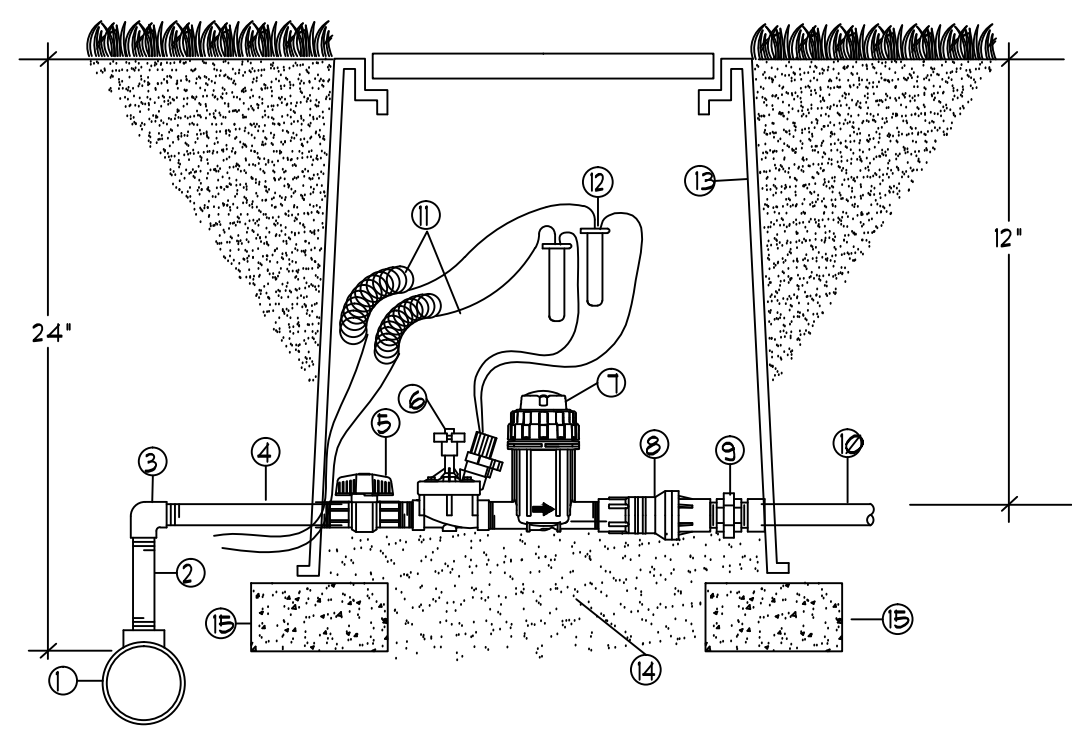
- 1 SPRINKLER HEAD (SEE LEGEND)
- 2 SCH 40 PVC LATERAL FITTING
- 3 RAINBIRD SF SWING PIPE
- 4 RAINBIRD SBE-050 BARBED FITTING
- 5 PVC LATERAL PIPE (SEE LEGEND)
- 6 FINISH GRADE
- 7 CLEAN COMPACTED BACKFILL

B FIXED SPRAY SPRINKLER ASSEMBLY
W/ SWING PIPE NT6



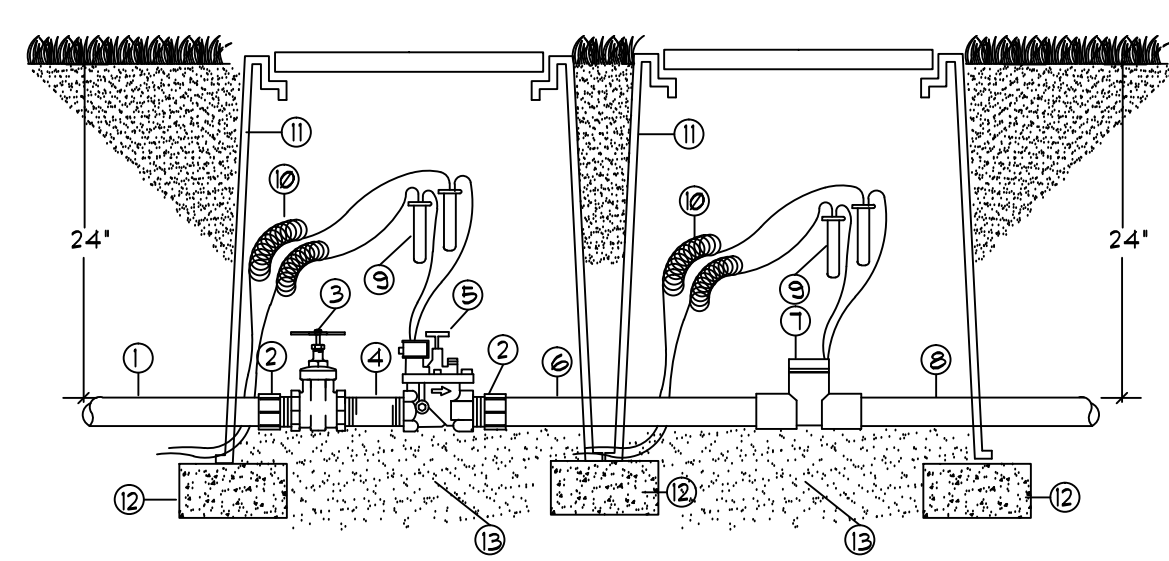
- 1 MAINLINE FITTING
- 2 SCH 80 PVC THREADED NIPPLE - 10' LENGTH
- 3 SCH 80 PVC THREADED 90 DEG ELBOW
- 4 SCH 80 PVC NIPPLE - TEE 8' LENGTH
- 5 SCH 80 PVC THREADED BALL VALVE
- 6 REMOTE CONTROL VALVE (SEE LEGEND)
- 7 SCH 80 PVC MALE ADAPTER
- 8 LATERAL PIPE (SEE LEGEND)
- 9 3/4" DBT WATER TIGHT CONNECTOR
- 10 3/8" WIRE EXPANSION LOOPS
- 11 CARBON 1/8" BROOKS 1/8" VALVE BOX
- 12 CHU SUPPORT BLOCK
- 13 7 CUBIC FT WASHED PEA GRAVEL
- 14 CLEAN AND COMPACTED BACKFILL

C REMOTE CONTROL VALVE ASSEMBLY
WITH BALL VALVE ISOLATION NT6



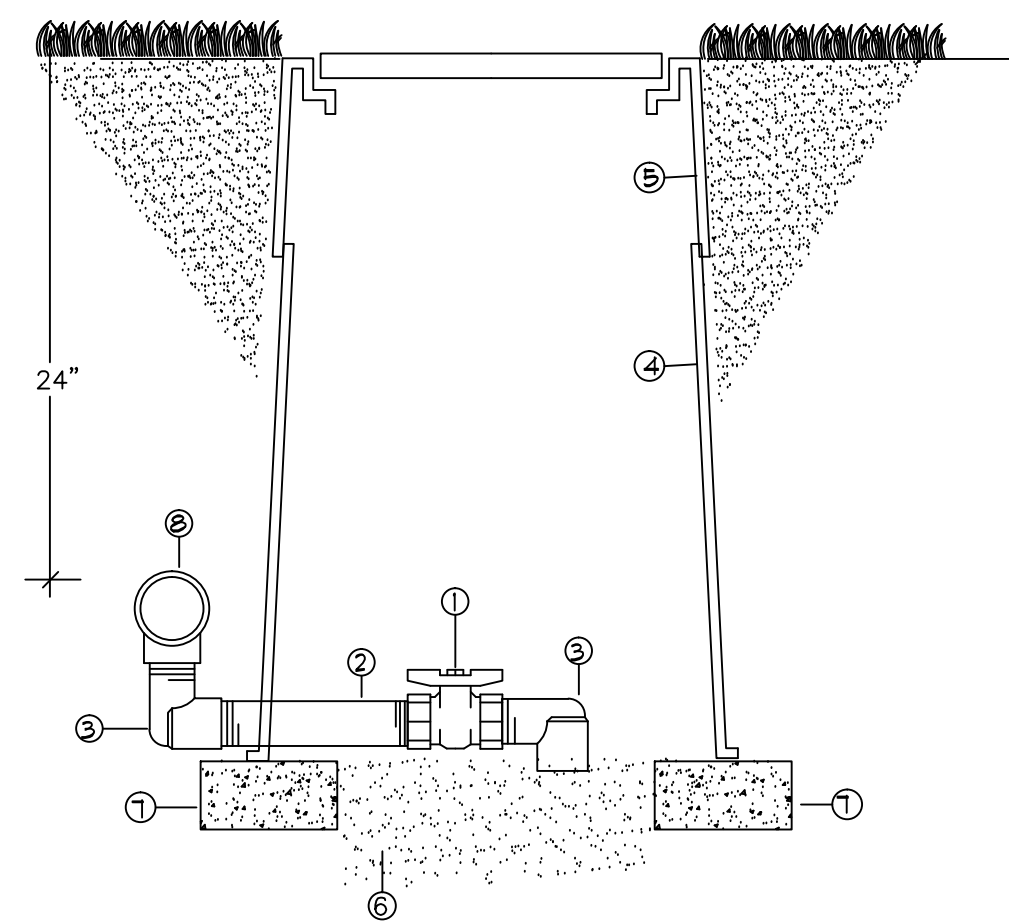
- 1 MAINLINE FITTING
- 2 SCH 80 PVC THREADED NIPPLE - 10' LENGTH
- 3 SCH 80 PVC THREADED ELBOW
- 4 SCH 80 PVC THREADED NIPPLE - 12' LENGTH
- 5 PVC BALL VALVE
- 6 REMOTE CONTROL VALVE (SEE LEGEND)
- 7 BASKET FILTER
- 8 PRESSURE REGULATOR
- 9 SCH 80 PVC THREADED UNION
- 10 LATERAL PIPE (SEE LEGEND)
- 11 EXPANSION LOOPS - 36" MINIMUM
- 12 3/4" DBT CONNECTOR
- 13 CARBON 1/8" VALVE BOX W/ LID
- 14 (EXTENSIONS AS REQUIRED)
- 15 WASHED PEA GRAVEL - 2" OF MINIMUM
- 16 4' X 8' X 16" CONCRETE BLOCK SUPPORT

D REMOTE CONTROL DRIP VALVE ASSY.
W/ FILTER & REGULATOR NT6



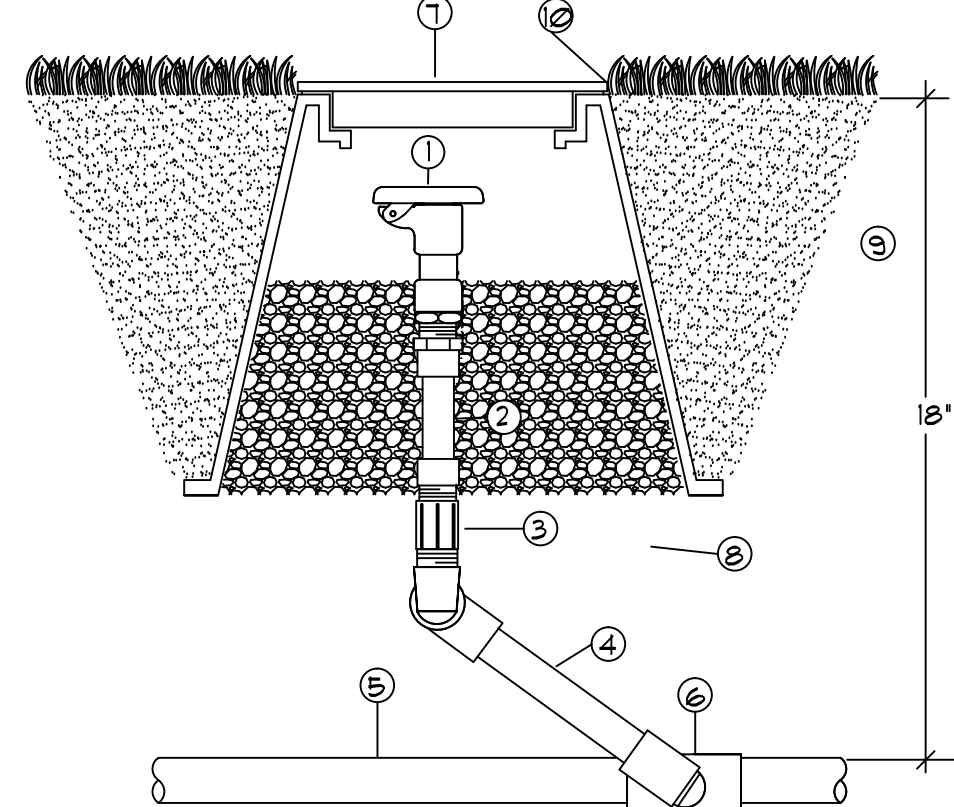
- 1 SERVICE LINE
- 2 SCH 40 PVC MALE ADAPTER
- 3 NIBCO T-113 BRONZE GATE VALVE
- 4 SCH 80 PVC THREADED NIPPLE (LINE SIZE X 6' LENGTH)
- 5 REMOTE CONTROL VALVE (SEE LEGEND)
- 6 CLASS 200 PVC PIPE - MINIMUM 10X PIPE DIAMETER LENGTH
- 7 SCH 80 PVC FLOW SENSOR (SEE LEGEND)
- 8 MAINLINE PIPE (SEE LEGEND)
- 9 3/4" DBT CONNECTOR
- 10 EXPANSION LOOPS - 36" MINIMUM
- 11 CARBON 1/8" VALVE BOX W/ LID AND EXTENSIONS AS REQ'D
- 12 4' X 8' X 16" CONCRETE BLOCK SUPPORT
- 13 WASHED PEA GRAVEL - 2" OF MINIMUM

E MASTER VALVE ASSEMBLY
WITH FLOW SENSOR NT6



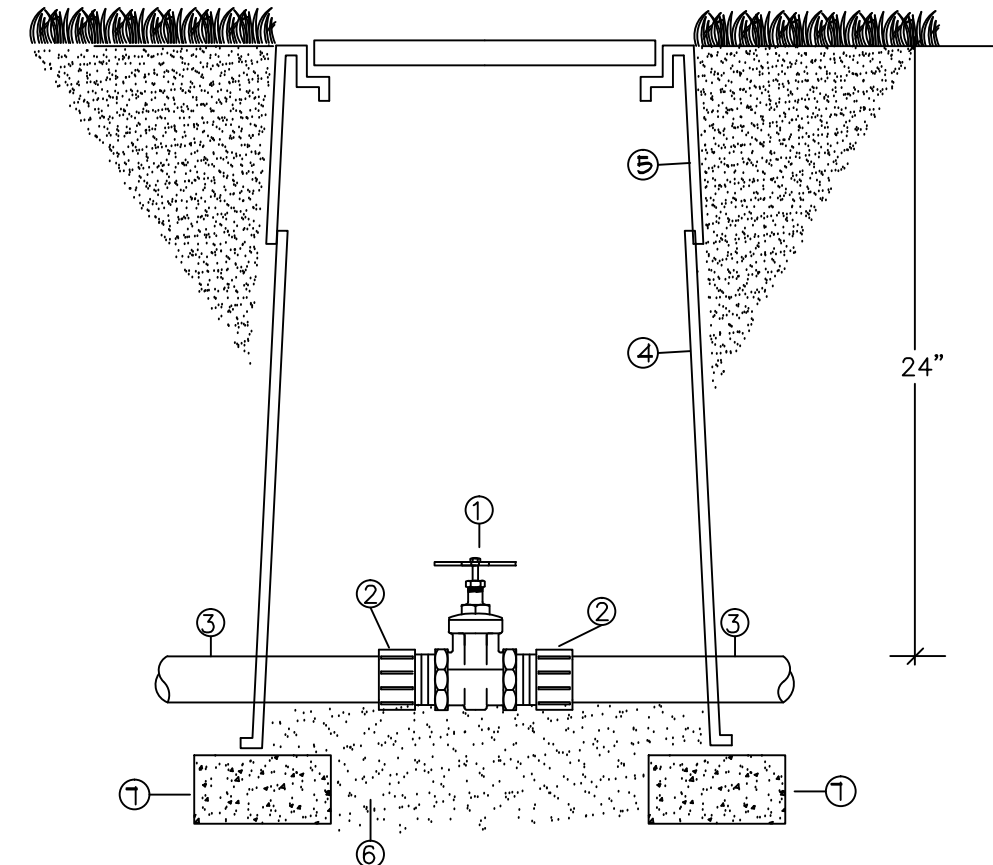
- 1 BRASS GATE VALVE
- 2 SCH 80 PVC NIPPLE (TBE) - 4' LENGTH
- 3 SCH 40 PVC STREET ELL (T X T)
- 4 CARBON 1/8" VALVE BOX W/ LID
- 5 VALVE BOX EXTENSIONS (AS REQUIRED)
- 6 WASHED PEA GRAVEL - 2" OF MINIMUM
- 7 4' X 8' X 16" CONCRETE BLOCK SUPPORT
- 8 MAINLINE TEE

F MANUAL DRAIN VALVE ASSEMBLY
NT6



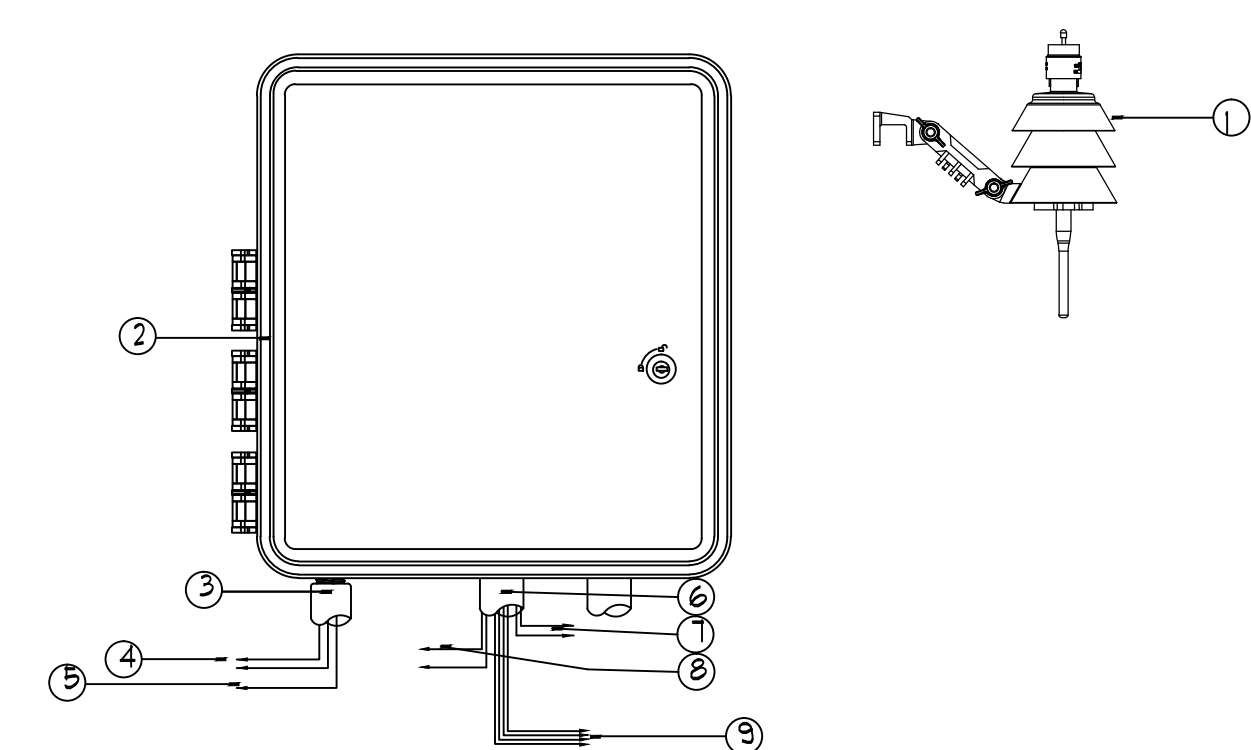
- 1 QUICK COUPLING VALVE (SEE LEGEND)
- 2 EXCALIBUR 1" X 6" FLEX NIPPLE
- 3 SCH 80 PVC THREADED COUPLING
- 4 LASCO G112-212 UNITIZED SWING JOINT
- 5 LATERAL PIPE (SEE LEGEND)
- 6 SCH 40 PVC LATERAL FITTING
- 7 CARBON 3/8" 10" ROUND VALVE BOX
- 8 WASHED PEA GRAVEL - 1" OF MINIMUM
- 9 CLEAN COMPACTED BACKFILL
- 10 FINISH GRADE

G QUICK COUPLING VALVE ASSEMBLY
1" INLET NT6



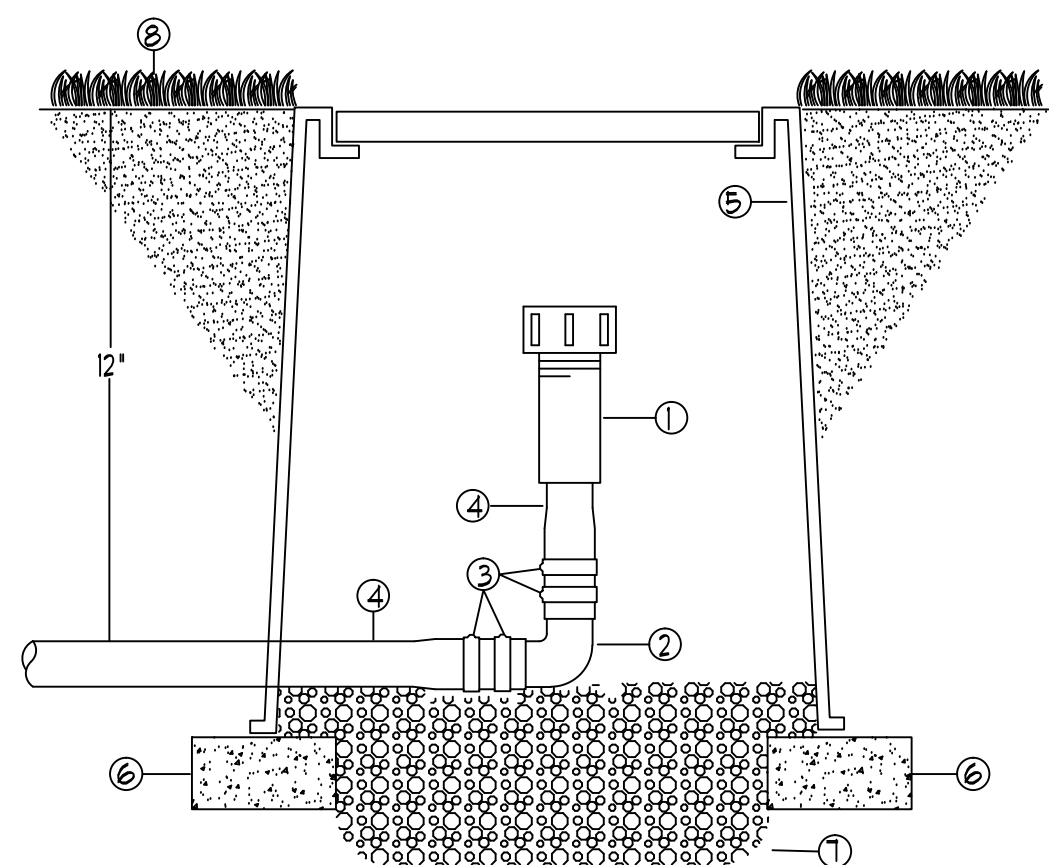
- 1 BRASS GATE VALVE (SEE LEGEND)
- 2 SCH 80 PVC MALE ADAPTER
- 3 MAINLINE PIPE (SEE LEGEND)
- 4 CARBON 1/8" VALVE BOX W/ LID
- 5 VALVE BOX EXTENSIONS (AS REQUIRED)
- 6 WASHED PEA GRAVEL - 2" OF MINIMUM
- 7 4' X 8' X 16" CONCRETE BLOCK SUPPORT

H MAINLINE ISOLATION VALVE ASSEMBLY
NT6



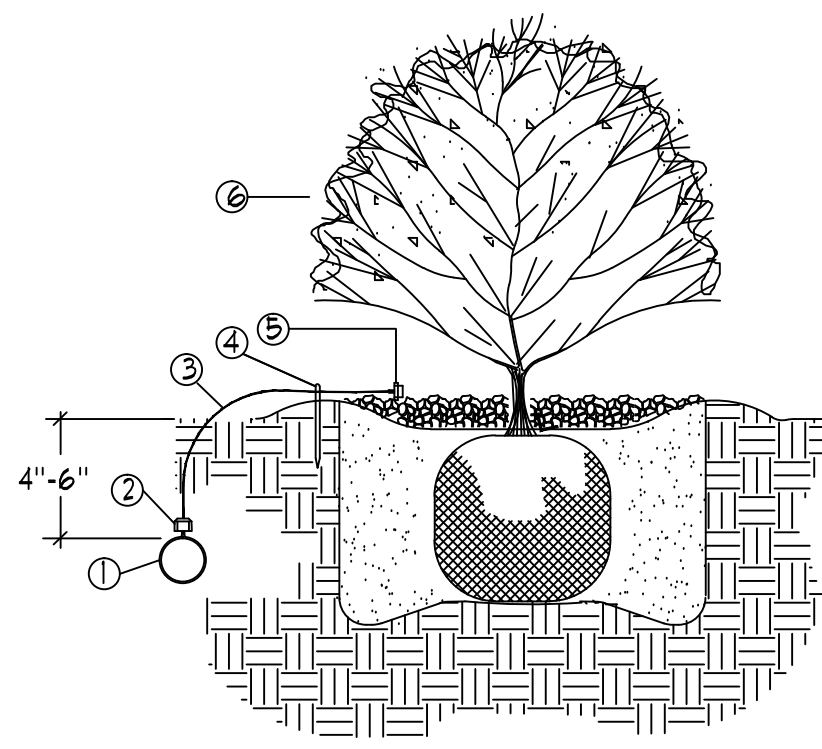
- 1 WIRELESS WEATHER SENSOR - SEE LEGEND
- 2 WALL MOUNT CONTROLLER - SEE LEGEND
- 3 CONDUIT 1/2" A.C.
- 4 POWER SUPPLY WIRES
- 5 GROUND WIRE
- 6 CONDUIT 24V A.C.
- 7 RAIN STAT WIRES
- 8 MASTER VALVE WIRE
- 9 24V CONTROL VALVE WIRES

I WALL MOUNT CONTROLLER ASSEMBLY
WITH WIRELESS WEATHER SENSOR NT6



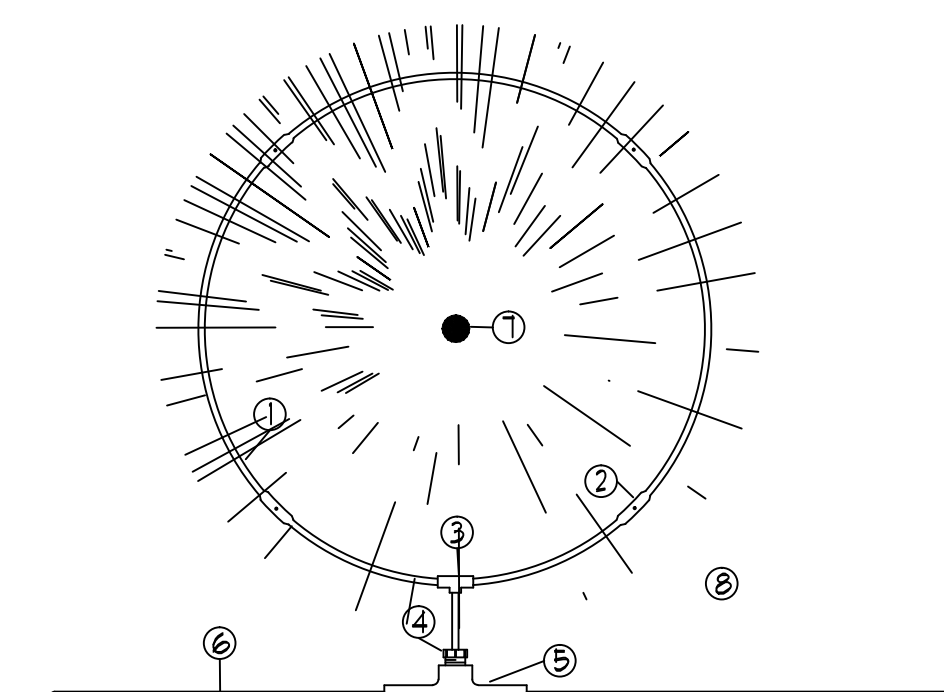
- 1 3/4" FLUSHABLE END CAP
- 2 3/4" INSERT 90 DEG ELBOW
- 3 STAINLESS STEEL PINCH CLAMP
- 4 POLYETHYLENE DRIP TUBING
- 5 CARBON 100 T" ECONO VALVE BOX W/ VIOLET T-COVER
- 6 BRICK PAYER SUPPORT
- 7 FINISH GRADE
- 8 1/2 CUBIC FT WASHED PEA GRAVEL

J FLUSHABLE END CAP ASSEMBLY
NT6



- 1 3/4" POLYETHYLENE DRIPLINE TUBING
- 2 DRIP EMITTER - SEE IRRIGATION LEGEND / NOTES
- 3 1/4" DISTRIBUTION TUBING
- 4 1/4" TUBING STAKE
- 5 BUG CAP - SEE IRRIGATION LEGEND / NOTES
- 6 TYPICAL PLANTING DETAIL - FOR REFERENCE ONLY. (SEE PLANTING PLANS)

K TYPICAL DRIP EMITTER PLACEMENT
NT6



- 1 LANDSCAPE DRIPLINE - 30" DIAMETER RING
- 2 LANDSCAPE DRIPLINE EMITTER
- 3 COMPRESSION FITTING - TEE
- 4 1/2" MIPT X INSERT MALE ADAPTER
- 5 SCH 40 PVC 1" X 1/2" REDUCING TEE
- 6 LATERAL DRIP FEEDER LINE
- 7 CENTER OF TREE OR SHRUB
- 8 CANOPY EDGE OF TREE OR SHRUB

NOTE: DRIPLINE FITTINGS BRAND MUST MATCH DRIPLINE TYPE

L TREE / SHRUB DRIP RING ASSEMBLY
PLAN VIEW NT6

Project Name: Boondocks Fun Center

Landscape/Irrigation Tap address (physical location of tap): Cottonwood Drive

Landscape Area	High Water	Low Water	Native Grass and Spray Shrubs & Perennials		Sub-Total of Non-Irrigated area (calculated) Areas	PWSd one SFE per 6000	SFE Requirement (Sub-Total Calculation divided by 6000 = requirement)
	TURF (6,000sf = 1 SFE)	(6,000sf = 1 SFE)	Drip Irrigated area (20,000sf = 1 SFE)	Drip Irrigated area (20,000sf = 1 SFE)			
Area #1	27,131 sf x 1 = 27,131	2,086 sf x .6 = 1,252	23,614 sf x .3 = 7,084	6,280 sf x 0 = 0	35,467 sf	6,000	5.91 SFE's

Worksheet Completed by: Doug Smith Owner/Developer: _____

Company: Smith Irrigation Design, LLC Attn: _____

Address: 9499 High Caffe Street, Highlands Ranch, CO Billing Address: _____

Phone #: 303-471-7377 Phone #: _____

ET Controller (with Rain Sensor)

Manufacturer: Weathermatic Smartline w/ SLW5 weather sensor

Model number: SLM48DM

Tap Size Requirements:

- 0 - 1 SFE's requires a 3/4-inch tap
- 1.1 - 2.0 SFE's requires a 1-inch tap
- 2.1 - 4.0 SFE's requires a 1 1/2-inch tap
- 4.1 - 7.0 SFE's requires a 2-inch tap
- 7.1 - 16.0 SFE's requires a 3-inch tap

Prepared By:

Kirby Smith & Associates, Inc.
Land Planning/Design/Landscape Architecture
6201 So. Hudson Ct., Centennial, CO 80112
(303) 664-9444 FAX (303) 664-6672
Job # 409

Smith
IRRIGATION DESIGN, LLC
960 HIGH CAFE STREET, HIGHLANDS RANCH, CO 80129
PHONE 303-471-7377 WWW.SMITHIRRIGATION.COM

CALL UTILITY NOTIFICATION CENTER OF COLORADO
811
CALL 2 BUSINESS DAYS IN ADVANCE BEFORE YOU DIG, GRADE, OR EXCAVATE FOR THE MARKING OF UNDERGROUND MEMBER UTILITIES.

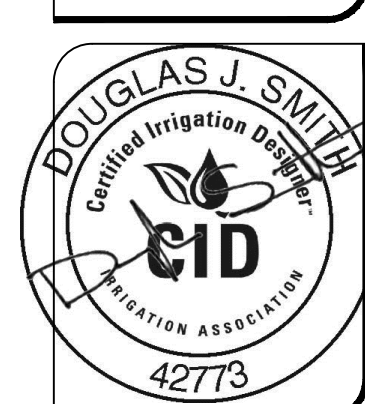
REVISIONS	
DESCRIPTION	DATE
KG: LANDSTM SBE REV	7/17/15

OWNER
SHEETS DEVELOPMENT CONTRACTING, LLC
660 EAST FRANKLIN ROAD, MERIDIAN, ID 83642

PROJECT
Boondocks Fun Center
CROWN POINT DEVELOPMENT PARKER, CO

COPYRIGHT 2015

Peter H. Rockwell, Architect
Architecture Planning
595 S Americana Boulevard, Suite 1100, Littleton, CO 80120
(208) 345-0566 (208) 345-1718 Fax (208) 357-0889
office@pgrb.com



CONSTRUCTION DRAWINGS IRRIGATION DETAILS

SHEET DATA
DRAWN BY: DJS
CHECKED BY: DJS
SCALE: 1" = 20"
DATE: 5/29/15
PROJECT #: 14001

SHEET NUMBER
IR-4