

PARKER AND PINE PARKER WATER AND SANITATION DISTRICT UTILITY PLANS

PARKER AND PINE FILING 1
A PART OF THE SOUTHEAST QUARTER OF SECTION 9 AND A PART OF THE
NORTHEAST QUARTER OF SECTION 16 TOWNSHIP 6 SOUTH, RANGE 66 WEST OF THE
6TH P.M. TOWN OF PARKER, COUNTY OF DOUGLAS, STATE OF COLORADO

CONTACTS:

DEVELOPER:
EVT PARKER COLORADO, LLC
2710 E. CAMELBACK ROAD, SUITE 210
PHOENIX, AZ 85016
TEL: (602) 468-6100
CONTACT: RYAN AMATO

ENGINEER:
KIMLEY-HORN AND ASSOCIATES, INC.
4582 SOUTH ULSTER STREET, SUITE 1500
DENVER, CO 80237
TEL: (303) 228-2318
CONTACT: DAN SKEEHAN

LANDSCAPE ARCHITECT:
KIMLEY-HORN AND ASSOCIATES, INC.
4582 SOUTH ULSTER STREET, SUITE 1500
DENVER, CO 80237
TEL: (303) 228-2319
CONTACT: CHRIS HEPLER

TELEPHONE:
CENTURYLINK
1801 CALIFORNIA STREET, SUITE 240
DENVER, CO 80202
CONTACT: IZZY MILLER
EMAIL: IZZY.MILLER@CENTURYLINK.COM

GAS SERVICE:
XCEL ENERGY
1800 LARIMER STREET
DENVER, CO 80202
CONTACT: RON JOHNSON
EMAIL: RON.H.JOHNSON@XCELENERGY.COM

TOWN OF PARKER:
TOWN OF PARKER
20120 EAST MAINSTREET
PARKER, CO 80138-7334
(303) 805-3331
CONTACT: CAROLYN PARKINSON

ELECTRICAL SERVICE:
IREA
5496 US HWY 85
SEDALIA, CO 80135
TEL: (303) 688-7431
CONTACT: AMANDA STEINER

ARCHITECT:
NAOS DESIGN GROUP, LLC
4949 SOUTH SYRACUSE ST. SUITE 460
DENVER, CO 80237
TEL: 303-759-5777
CONTACT: JORDAN BONICELLI

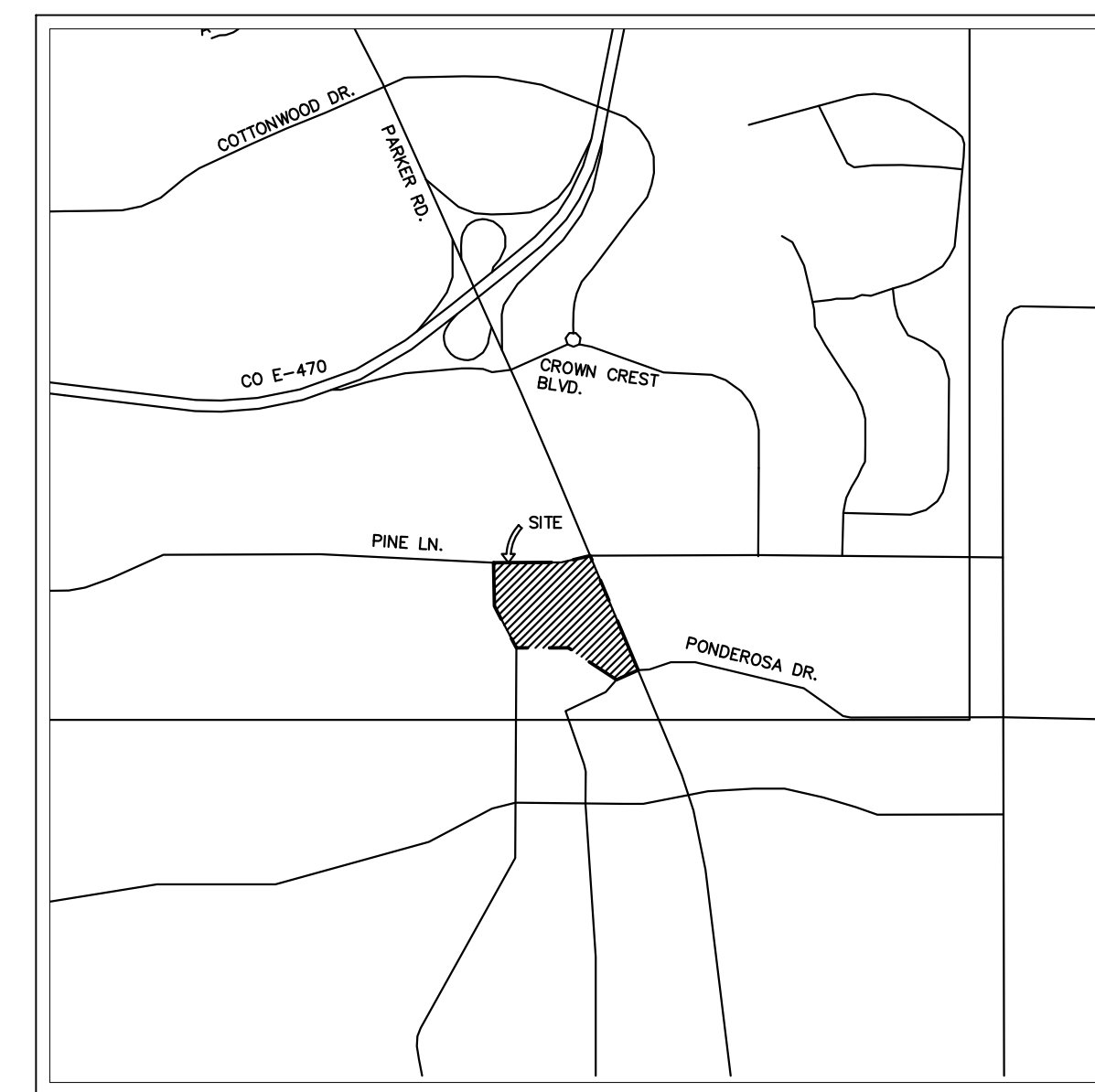
SURVEYOR:
ENGINEERING SERVICE COMPANY
1300 SOUTH POTOMAC ST. SUITE 126
AURORA, CO 80012
TEL: 303-337-1393
CONTACT: CHARLES BECKSTROM, PLS

TELEVISION:
COMCAST
1601 MILE HIGH STADIUM CIRCLE
DENVER, CO 80204
CONTACT: DEAN FLENTHROPE
EMAIL: DEAN_FLENTHROPE@CABLE.COMCAST.COM

WATER/SANITARY SEWER:
PARKER WATER AND SANITATION DISTRICT
18100 E. WOODMAN ROAD
PARKER, CO 80134
TEL: 303-841-4627
CONTACT: DRAYTON SANDERSON

FIRE DEPARTMENT:
SOUTH METRO FIRE RESCUE AUTHORITY
9195 E. MINERAL AVE.
CENTENNIAL, CO 80112
TEL: (720) 989-2244
CONTACT: CHIP KERKHOVE

TOWN OF PARKER PLAN REVIEW:
20120 E. MAINSTREET
PARKER, CO 80138
TEL: (303) 805-3169
CONTACT: RANDY CAPRA



VICINITY MAP
1"=2,000'

PARKER WATER AND SANITATION DISTRICT CONSTRUCTION PLANS	
SHEET NUMBER	SHEET TITLE
C7.0	COVER SHEET
C7.1	WATER AND SANITARY SEWER NOTES
C7.2	OVERALL UTILITY PLAN
C7.3	SANITARY SEWER PLAN AND PROFILE
C7.4	SANITARY SEWER PLAN AND PROFILE
C7.5	WATER PLAN AND PROFILE - A
C7.6	WATER PLAN AND PROFILE - B
C7.7	WATER PLAN AND PROFILE - C
C7.8	WATER PLAN AND PROFILE - D
C7.9	UTILITY DETAILS
C7.10	UTILITY DETAILS
C7.11	UTILITY DETAILS
C7.12	UTILITY DETAILS
C7.13	UTILITY DETAILS

LEGAL DESCRIPTION

PARKER AND PINE FILING 1 COUNTY OF DOUGLAS, STATE OF COLORADO.

BENCHMARK

DOUGLAS CONTROL MONUMENT #1.095035, A 3 1/4" ALUMINUM CAP.

ELEVATION = 5906.34 FEET (NAVD 1988), AS PUBLISHED BY DOUGLAS COUNTY.

BASIS OF BEARINGS

BEARINGS SHOWN HEREON ARE BASED UPON THE WEST LINE OF THE SW 1/4 OF SECTION 10, TOWNSHIP 6 SOUTH, RANGE 66 WEST, OF THE 6TH PRINCIPAL MERIDIAN BEARING S00°17'51"W AS REFERENCED ON THE PLAT OF PARKER AUTO PLAZA FILING NO.1 AND BOUND BY THE MONUMENTS SHOWN HEREON.

FLOODPLAIN NOTE

BY SCALED MAP LOCATION AND GRAPHIC PLOTTING ONLY, THIS PROPERTY LIES IN ZONE X OF THE FLOOD INSURANCE RATE MAP, COMMUNITY PANEL NUMBER 08035C0067G AND DATED MARCH 16, 2016 - SUBJECT PROPERTY IS NOT IN A SPECIAL FLOOD HAZARD AREA.

MATERIALS LIST:

DESCRIPTION	QTY.	UNIT
6" PVC WATER	335	LF
8" PVC WATER	3058	LF
6" GATE VALVE	12	EA
8" GATE VALVE	17	EA
8" LOW-POINT BLOW-OFF VALVE	18	EA
1.5" TAP	1	EA
1.5" METER	1	EA
1.5" TYPE K COPPER WATER	41	LF
20"x8" TAPPING SLEEVE	2	EA
8"x8"x6" TEE	13	EA
8"x8"x8" TEE	15	EA
11.25' BEND	2	EA
22.5' BEND	1	EA
45' BEND	2	EA
90' BEND	5	EA
8"x8" CROSS	1	EA
8"x6" REDUCER	3	EA
8" PVC SANITARY SEWER	1037	LF
6" PVC SANITARY LATERAL	270	LF
SANITARY SEWER MANHOLE	6	EA
SANITARY SEWER CLEANOUT	12	EA
FIRE HYDRANT	8	EA

*QUANTITIES ARE FOR REFERENCE ONLY. CONTRACTOR SHALL VERIFY ALL QUANTITIES PRIOR TO CONSTRUCTION

ALL FIRE HYDRANTS SHALL BE INSTALLED ACCORDING TO WATER UTILITY STANDARDS. THE NUMBER AND LOCATIONS OF THE FIRE HYDRANTS AS SHOWN ON THE OVERALL UTILITY PLAN ARE CORRECT AS SPECIFIED BY THE TOWN OF PARKER, COMMUNITY DEVELOPMENT DEPARTMENT.

FIRE CODE OFFICIAL OR DESIGNATED REPRESENTATIVE _____ DATE _____

(NOTE - UNDERGROUND FIRE LINE (UFL) SUBMITTAL DOCUMENTS MUST MEET THE REQUIREMENTS OF NFPA 24 WHEN SUBMITTING FOR REVIEW.)

THE DISTRICT INSPECTOR MUST BE NOTIFIED AT LEAST 48 HOURS PRIOR TO START OF CONSTRUCTION. CALL PARKER WATER AND SANITATION DISTRICT AT 303-841-4627. THE DISTRICT WILL PROVIDE PERIODIC INSPECTIONS OF THE WORK. 24 HOUR NOTICE TO THE INSPECTOR IS REQUIRED FOR SCHEDULING INSPECTIONS. ANY WORK ACCOMPLISHED WITHOUT THE APPROVAL OF THE INSPECTOR WILL BE SUBJECT TO REJECTION.

REVIEWED FOR CONFORMANCE TO PARKER WATER AND SANITATION DISTRICT STANDARDS.

BY: _____ (DISTRICT REPRESENTATIVE)

DATE: _____

APPROVED FOR CONSTRUCTION:
PARKER WATER AND SANITATION DISTRICT

BY: _____ (DISTRICT ENGINEER)

DATE: _____

DISTRICT ACCEPTANCE NOTE

- UPON COMPLETION OF SANITARY AND WATER CONSTRUCTION AND TESTING, THE DEVELOPER OR CONTRACTOR SHALL CONTACT THE DISTRICT FOR PROBATIONARY ACCEPTANCE INSPECTION. A PUNCHLIST WILL BE PROVIDED FOR THE DEVELOPER AND CONTRACTOR UPON COMPLETION OF THE INITIAL WALK-THRU AND PROBATIONARY ACCEPTANCE WILL BE ISSUED FOLLOWING COMPLETION AND ACCEPTANCE OF THE WORK OUTLINED IN THE PUNCHLIST.
- THE CONTRACTOR WILL BE HELD RESPONSIBLE FOR THE PROPER FUNCTIONING OF THE LINES FOR UP TO TWO (2) YEARS FROM THE DATE OF PROBATIONARY ACCEPTANCE OF THE LINES BY THE DISTRICT. ANY MALFUNCTION DURING THIS PERIOD OF GUARANTEE SHALL BE REMEDIED BY THE CONTRACTOR TO THE SATISFACTION OF THE DISTRICT ENGINEER AT NO EXPENSE TO THE DISTRICT.
- THE DATE OF FINAL ACCEPTANCE WILL BE INDICATED IN THE CONDITION OF THE PROBATIONARY ACCEPTANCE LETTER. THE DEVELOPER SHALL BE RESPONSIBLE FOR CONTACTING THE DISTRICT FOR FINAL INSPECTION AND FINAL ACCEPTANCE.

NO.	REVISION	BY	DATE

Kimley»Horn
2020 KIMLEY-HORN AND ASSOCIATES, INC.
4582 South Ulster Street, Suite 1500
Denver, Colorado 80237 (303) 228-2300

DESIGNED BY: DLS
DRAWN BY: JRK
CHECKED BY: DLS
DATE: 08/11/20

PARKER AND PINE FILING 1
PARKER, CO
CONSTRUCTION DOCUMENTS
COVER SHEET



PROJECT NO.
096502001

DRAWING NAME
096502001CV_UT

C7.0



K:\DEV_C\1\096502001 - Misc. Use. Parker. (A) CADD. (P) SHEET\096502001CV_UT.dwg, K:\DEV_C\1\096502001 - Misc. Use. Parker. (A) CADD. (P) SHEET\096502001CV_UT.dwg, 10/8/2019 10:57 AM, THIS DOCUMENT, TOGETHER WITH THE CONCEPTS AND DESIGNS PRESENTED HEREON, AS AN INSTRUMENT OF SERVICE, IS INTENDED ONLY FOR THE PROJECT, SITE, AND CLIENT FOR WHICH IT WAS PREPARED. REVISE OF AND IMPROVE RELIANCE ON THIS DOCUMENT WITHOUT WRITTEN AUTHORIZATION AND ADAPTATION BY KIMLEY-HORN AND ASSOCIATES, INC. SHALL BE WITHOUT LIABILITY TO KIMLEY-HORN AND ASSOCIATES, INC.

K:\DEN_CV\096502001 - Mid. Use. Parker - CIV\CADD\PlanSheets\096502001CV_11T.dwg, K:\SERV\096502001 - Mid. Use. Parker - CIV\CADD\PlanSheets\096502001CV_11T.dwg, 10/15/2019 10:57 AM
 THIS DOCUMENT, TOGETHER WITH THE CONCEPTS AND DESIGNS PRESENTED HEREON, AS AN INSTRUMENT OF SERVICE, IS INTENDED ONLY FOR THE PROJECT, SITE, AND CLIENT FOR WHICH IT WAS PREPARED, REVISED, OR AMENDED. IT IS NOT TO BE REPRODUCED, COPIED, OR TRANSMITTED IN ANY MANNER WITHOUT THE WRITTEN AUTHORIZATION AND ADAPTATION BY KIMLEY-HORN AND ASSOCIATES, INC.

PARKER WATER AND SANITATION GENERAL NOTES

- ALL MATERIALS AND WORKMANSHIP SHALL BE IN CONFORMANCE WITH THE PWSO ENGINEERING STANDARDS AND SPECIFICATIONS, LATEST VERSION.
- THE CONTRACTOR SHALL CONTACT ALL APPROPRIATE UTILITY COMPANIES AND THE TOWN OF PARKER, DOUGLAS COUNTY AND OTHER NEIGHBORING CITIES AND TOWNS PRIOR TO THE BEGINNING OF ANY CONSTRUCTION. CONTRACTOR SHALL BE RESPONSIBLE FOR LOCATING ANY EXISTING UTILITY (INCLUDING DEPTHS) WHICH MAY CONFLICT WITH THE PROPOSED CONSTRUCTION. ALL EXISTING UTILITIES SHALL BE PROTECTED FROM DAMAGE BY THE CONTRACTOR. DAMAGED UTILITIES SHALL BE REPAIRED BY THE CONTRACTOR AT HIS OWN EXPENSE.
- ALL ITEMS SHOWN ON THE PLANS AS EXISTING ARE SHOWN IN APPROXIMATE LOCATIONS ONLY. THE ACTUAL LOCATIONS MAY VARY FROM THE PLANS, ESPECIALLY IN THE CASE OF UNDERGROUND UTILITIES. WHENEVER THE CONTRACTOR DISCOVERS A DISCREPANCY IN LOCATIONS CONTACT THE PWSO IMMEDIATELY.
- PWSO ENGINEER AND OTHER APPROVING AGENCIES ARE TO BE NOTIFIED 48 HOURS PRIOR TO CONSTRUCTION.
- THE CONTRACTOR SHALL OBTAIN, AT HIS EXPENSE, ALL PERMITS NECESSARY TO PERFORM THE PROPOSED WORK.
- ALL CONCRETE SHALL BE A MINIMUM OF CLASS A, 6 SACK, TYPE II, 3000-POUND COMPRESSION STRENGTH.
- THE DESIGN ENGINEER SHALL SUBMIT ONE (1) SET OF "AS-BUILT" DRAWINGS AND ELECTRONIC FILES TO THE DISTRICT ENGINEER FOR APPROVAL BY DISTRICT. AFTER APPROVAL HAS BEEN GRANTED BY THE DISTRICT ENGINEER, FULL SIZE PRINTS SHALL BE TRANSMITTED TO THE PWSO OFFICE.
- NO WORK SHALL BE BACKFILLED UNTIL THE CONSTRUCTION HAS BEEN INSPECTED AND APPROVED FOR BACKFILLING BY THE DISTRICT ENGINEER OR REPRESENTATIVE OF THE DISTRICT ENGINEER. ALL BACKFILL MATERIAL SHALL BE COMPACTED TO 95% STANDARD PROCTOR DENSITY. COMPACTION TESTS MUST BE SUBMITTED TO DISTRICT ENGINEER PRIOR TO PROBATIONARY ACCEPTANCE.
- TRENCHES SHALL BE EXCAVATED AND THE PIPE EXPOSED FOR THE INSPECTION AT ANY LOCATION ON THE PROJECT IF SO ORDERED BY THE INSPECTOR.
- THE CONTRACTOR WILL BE HELD RESPONSIBLE FOR THE PROPER FUNCTIONING OF LINES (WATER AND DEPTHS) FOR UP TO TWO (2) YEARS FROM THE DATE OF PROBATIONARY ACCEPTANCE OF THE LINES BY THE DISTRICT. ANY MALFUNCTION DURING THIS PERIOD OF GUARANTEE SHALL BE REMEDIED BY THE CONTRACTOR TO THE SATISFACTION OF THE DISTRICT ENGINEER AT NO EXPENSE TO THE DISTRICT.
- SURFACE GRADES ARE TO BE WITHIN PLUS OR MINUS ONE FOOT OF FINISHED GRADE AND VERIFICATION OF COMPACTION RESULTS OBTAINED PRIOR TO THE INSTALLATION OF WATER AND SEWER LINES. RESULTS MUST BE SUBMITTED TO THE DISTRICT ENGINEER.
- ALL SERVICES WILL BE PERMANENTLY MARKED ON CURB FACE AS FOLLOWS:
 * FOR SANITARY SERVICE SEWERS
 * FOR WATER SERVICES
- NO TREES ALLOWED IN EASEMENTS OR WITHIN 8' OF WATER OR SANITARY SEWER MAINS IN RIGHT OF WAY.
- THE CONTRACTOR SHALL HAVE IN HIS POSSESSION AT ALL TIMES ONE (1) SIGNED COPY OF THE PLANS WHICH HAVE BEEN APPROVED BY THE PWSO AND THE DISTRICT ENGINEER AND ONE (1) COPY OF THE LATEST PWSO SPECIFICATION MANUAL.

ADDITIONAL NOTES

- ALL SANITARY SEWER AND STORM SEWER IMPROVEMENTS SHOWN HEREON SHALL BE PRIVATE. ALL WATER MAIN IMPROVEMENTS SHALL BE PUBLIC. REFER TO SPECIFIC PLAN SHEETS FOR MATERIALS AND ADDITIONAL DETAILS.
- TOWN OF PARKER REQUIRES 25' STORM SEWER EASEMENT.
- PARKER WATER AND SANITATION DISTRICT REQUIRES 30' EXCLUSIVE EASEMENT OR 50' NON-EXCLUSIVE EASEMENT.

SANITARY SEWER NOTES

- ALL MATERIALS AND WORKMANSHIP SHALL BE IN CONFORMANCE WITH THE PWSO ENGINEERING STANDARDS AND SPECIFICATIONS, LATEST VERSION.
- ALL SEWER MAINS SHALL BE PVC, ASTM D-3034, SDR 35 OR APPROVED EQUAL. ALL SEWER MAIN SIZE IS 8" IN DIAMETER UNLESS OTHERWISE NOTED.
- SEWER LINES SHALL BE INSTALLED 5.0 FEET SOUTH OR WEST OF STREET CENTERLINE, UNLESS OTHERWISE SHOWN ON PLANS. SEWER LINES SHALL BE 10.00 FEET FROM WATER LINES EXCEPT WHEN CROSSING EACH OTHER. SEWER LINES WHICH CROSS LESS THAN 1.50 FEET VERTICALLY FROM THE WATER MAIN SHALL BE ENCASED IN CONCRETE AS PER PWSO SPECIFICATIONS. USE RUBBER GASKETS FOR PVC ENCASMENT.
- SEWER RIM ELEVATIONS SHOWN ARE APPROPRIATE ONLY AND ARE NOT TO BE TAKEN AS FINAL ELEVATIONS. RING AND COVER SHALL BE SET IN CENTERED CONCRETE RINGS WITH RAM-NECK FOR ADJUSTMENT TO MATCH FINAL PAVEMENT ELEVATIONS.
- THE CONTRACTOR AND SURVEY CREW SHALL VERIFY ELEVATIONS OF EXISTING SEWER LINES AND MANHOLES TO BE TIED TO PRIOR TO CONSTRUCTION OR STAKING OF SANITARY SEWER.
- NO UNDERDRAIN SYSTEM WILL BE ALLOWED TO BE PLACED IN MAINLINE OR SEWER SERVICE TRENCHES.
- SEWER SERVICE TEES FOR EACH UNIT SHALL BE STAKED BY A SURVEY CREW AND FURNISHED AND INSTALLED BY THE CONTRACTOR. THE CONTRACTOR SHALL FURNISH TO THE ENGINEER "AS CONSTRUCTED" LOCATION OF TEES. SEWER WYES SHALL BE USED RATHER THAN TEES.
- ALL MANHOLES SHALL BE 48-INCHES IN DIAMETER WITH 24-INCH RING AND COVER, ECCENTRIC CONE UNLESS OTHERWISE SPECIFIED. ALL MANHOLES SHALL HAVE SHAPED INVERTS.
- PIPE BEDDING SHALL BE CLASS "B" AND SHALL CONFORM TO ASTM C-33 OR D-448 GRADATION NO. 6 OR NO. 67.
- AT LEAST FIVE (5) DAYS PRIOR TO THE START OF CONSTRUCTION, A PRE-CONSTRUCTION MEETING WILL BE HELD AT THE OFFICE OF THE DISTRICT ENGINEER AND ATTENDED BY THE CONTRACTOR AND REPRESENTATIVES OF THE OTHER APPROVING AGENCIES. IT WILL BE THE RESPONSIBILITY OF THE CONTRACTOR TO CONTACT THE DISTRICT ENGINEER TO SCHEDULE THIS MEETING.
- THE CONTRACTOR SHALL HAVE IN HIS POSSESSION AT ALL TIMES ONE (1) SIGNED COPY OF THE PLANS WHICH HAVE BEEN APPROVED BY THE PWSO AND THE DISTRICT ENGINEER AND ONE (1) COPY OF THE LATEST PWSO SPECIFICATION MANUAL.
- ALL SEWER LINES SHALL BE TESTED IN ACCORDANCE WITH THE PWSO STANDARDS AND SPECIFICATIONS PRIOR TO ACCEPTANCE OR ANY CONNECTION TO AN EXISTING SEWER LINE.
- PRIOR TO STARTING WORK WHERE SEWER MAIN IS TO BE CONNECTED TO EXISTING PWSO SEWER SYSTEMS, THE NEAREST MANHOLE TO THE POINT OF TIE-IN SHALL BE PLUGGED WITH A PLUMBER'S PLUG ON THE INLET SIDE BY THE CONTRACTOR. THIS PLUG SHALL REMAIN IN PLACE UNTIL FINAL PROBATIONARY ACCEPTANCE BY PWSO. THE CONTRACTOR SHALL BE RESPONSIBLE FOR PUMPING AND CLEANING THESE MANHOLES AND REMOVING THE PLUG WHEN INSTRUCTED BY THE DISTRICT.
- PRIOR TO PROBATIONARY ACCEPTANCE WALK-THROUGH, THE CONTRACTOR SHALL JET CLEAN THE ENTIRE SANITARY SEWER SYSTEM AND PUMP OUT AT THE PLUGGED MANHOLE.

WATER MAIN NOTES

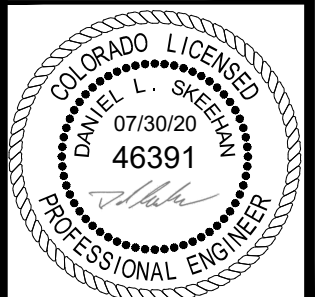
- ALL MATERIALS AND WORKMANSHIP SHALL BE IN CONFORMANCE WITH THE PWSO ENGINEERING STANDARDS AND SPECIFICATIONS, LATEST REVISION.
- ALL WATER MAINS SHALL BE PER PWSO MATERIALS SPECIFICATIONS. ALL MATERIALS IN CONTACT WITH POTABLE WATER SHALL BE SUITABLE FOR CHLORINATED AND CHLORAMINATED WATER.
- ALL BENDS, PLUGS, REDUCERS, AND FIRE HYDRANTS TO BE RODDED OR MEGA-LUGGED. ALL FITTINGS SHALL BE WRAPPED PER PWSO MATERIALS SPECIFICATIONS.
- THERE SHALL BE A MINIMUM COVER OF 4.5 FEET OVER ALL WATER MAINS.
- FIRE HYDRANTS SHALL CONFORM TO AWWA C-502 "DRY BARREL FIRE HYDRANTS" PIPE HYDRANT ASSEMBLIES PER PWSO SPECIFICATIONS.
- ALL BENDS, TEES, FIRE HYDRANTS, BLOW-OFFS, AND PLUGS AT DEAD-END MAINS SHALL BE PROTECTED FROM THRUST WITH CONCRETE THRUST BLOCKS.
- PRECAUTIONS SHALL BE TAKEN TO PROTECT THE INTERIOR OF PIPES, FITTINGS, AND VALVES AGAINST CONTAMINATION. ALL OPENINGS IN THE PIPELINE SHALL BE CLOSED WITH WATERTIGHT PLUGS WHEN PIPE LAYING IS STOPPED AT THE CLOSE OF THE DAYS WORK OR FOR OTHER REASONS, SUCH AS REST BREAKS OR MEAL PERIODS.
- VALVES IN STREETS ARE TO BE LOCATED AT PROPERTY LINE EXTENSIONS EXCEPT FOR TAPPING TEES; WHERE AN ADDITIONAL VALVE SHALL BE PLACED ON THE TAPPING TEE. OTHER LOCATIONS SHOWN ON THE PLANS.
- WHEN NECESSARY TO LOWER OR RAISE WATER LINES AT STORM DRAINS AND OTHER UTILITY CROSSING, A MINIMUM CLEARANCE OF 1.5 FEET SHALL BE MAINTAINED BETWEEN OUTSIDE OF PIPES.
- THE CONTRACTOR SHALL NOTIFY THE PWSO AT LEAST 48 HOURS PRIOR TO ANY CONSTRUCTION. IF WORK IS SUSPENDED FOR ANY PERIOD OF TIME AFTER INITIAL START-UP, THE CONTRACTOR MUST NOTIFY THE DISTRICT ENGINEER 48 HOURS PRIOR TO RE-START.
- PIPE BEDDING SHALL BE A CLEAN, WELL-GRADED SAND OR SQUEEGEE SAND IN ACCORDANCE WITH PWSO STANDARDS AND SPECIFICATIONS, LATEST REVISION.
- THE CONTRACTOR SHALL NOTIFY THE PUBLIC UTILITY COMPANIES AND DETERMINE THE LOCATION OF ALL EXISTING UNDERGROUND UTILITIES PRIOR TO PROCEEDING WITH THE EXCAVATION. ALL WORK PERFORMED IN THE AREA OF THE PUBLIC UTILITIES SHALL BE PERFORMED ACCORDING TO THE REQUIREMENTS OF THESE AGENCIES.
- COMPACTION OF ALL TRENCHES MUST BE ATTAINED IN ACCORDANCE WITH THE SOILS REPORTS AND COMPACTION TEST RESULTS SUBMITTED TO THE DISTRICT ENGINEER PRIOR TO PROBATIONARY ACCEPTANCE.
- AT LEAST FIVE (5) DAYS PRIOR TO THE START OF CONSTRUCTION, A PRE-CONSTRUCTION MEETING WILL BE HELD AT THE OFFICE OF THE DISTRICT ENGINEER AND ATTENDED BY THE CONTRACTOR, DESIGN ENGINEER, AND REPRESENTATIVE OF OTHER APPROVING AGENCIES.
- CHLORINATION AND FLUSHING: ALL WATER MAINS SHALL BE INSTALLED AND CHLORINATED PER PWSO SPECIFICATIONS. CHLORINATION OF FINISHED PIPELINE COMPLETED BEFORE HYDROSTATIC TESTING.
- HYDROSTATIC TESTING: ALL WATER MAINS SHALL BE TESTED PER THE REQUIREMENTS OF THE PWSO SPECIFICATIONS UP TO MINIMUM OF 150 PSI IN THE PRESENCE OF A PWSO INSPECTOR/ENGINEER.

NO.	REVISION	BY	DATE

Kimley»Horn
 2020 KIMLEY-HORN AND ASSOCIATES, INC.
 4582 South Ulster Street, Suite 1500
 Denver, Colorado 80237 (303) 228-2300

DESIGNED BY: DLS
 DRAWN BY: JRK
 CHECKED BY: DLS
 DATE: 08/11/20

PARKER AND PINE FILING 1
 PARKER, CO
 CONSTRUCTION DOCUMENTS
WATER AND SANITARY SEWER NOTES



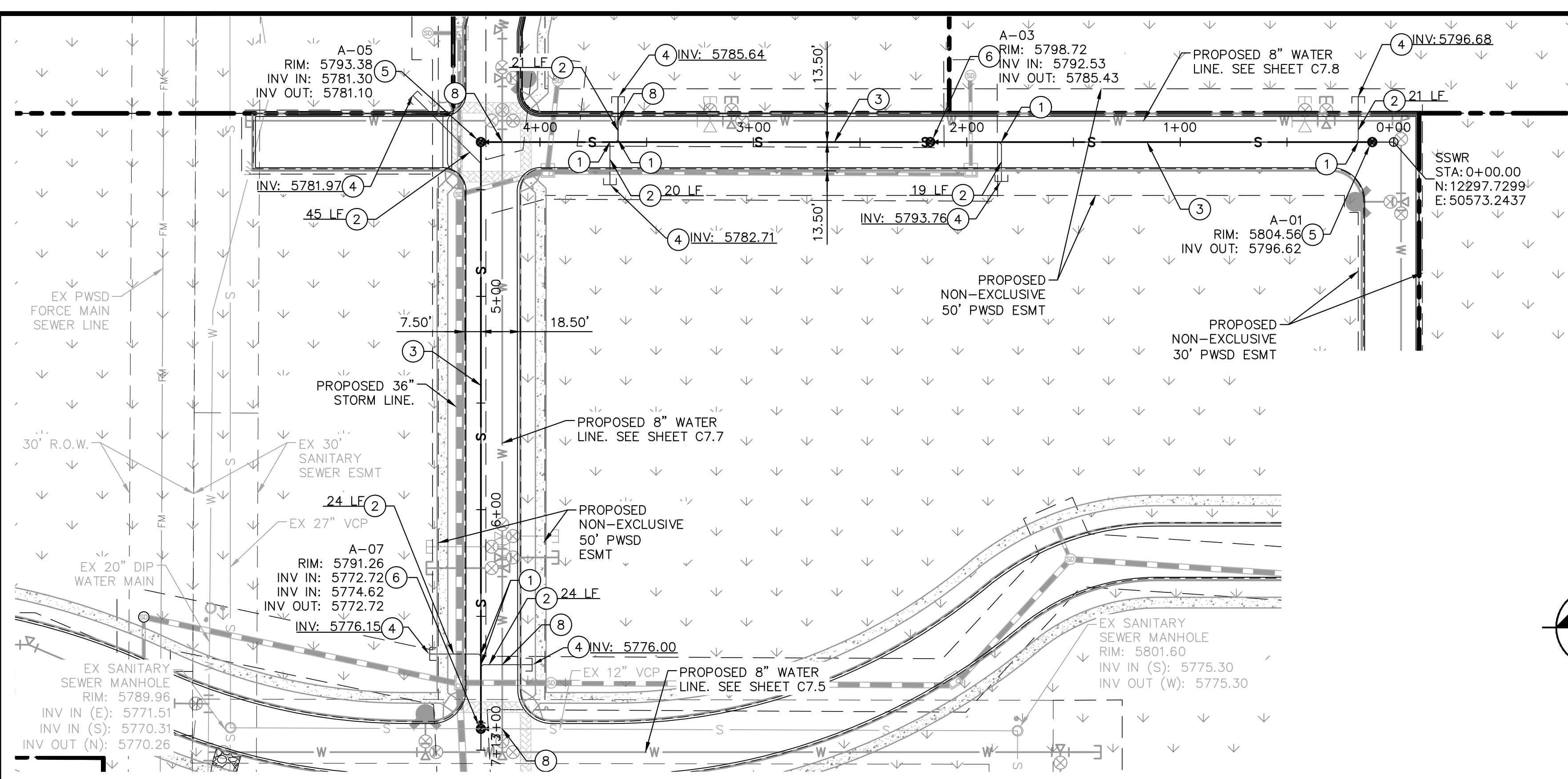
PROJECT NO.
096502001

DRAWING NAME
096502001CV_1UT

C7.1

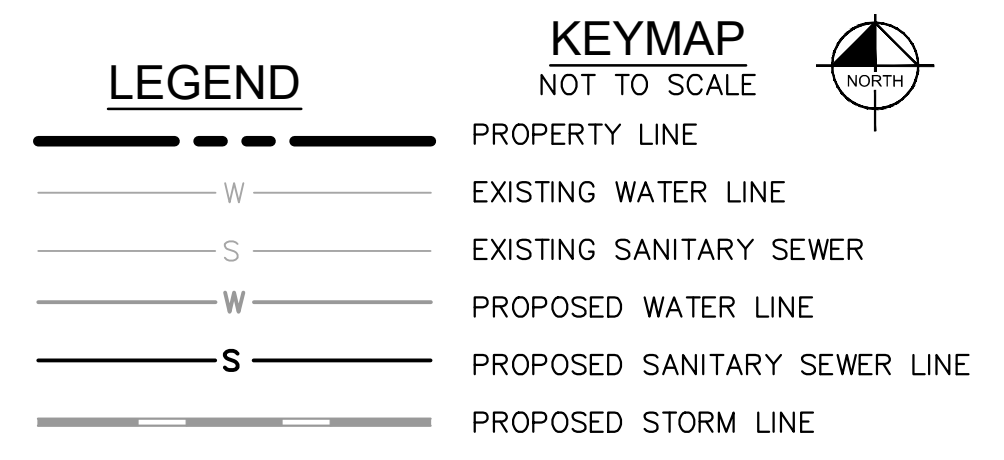
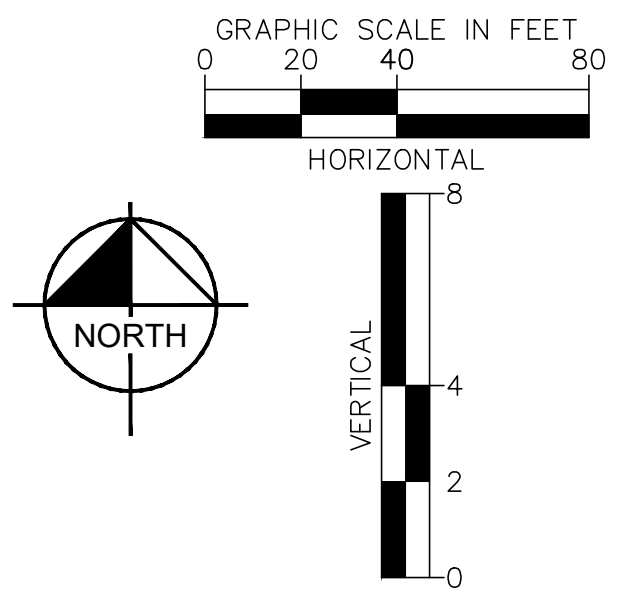
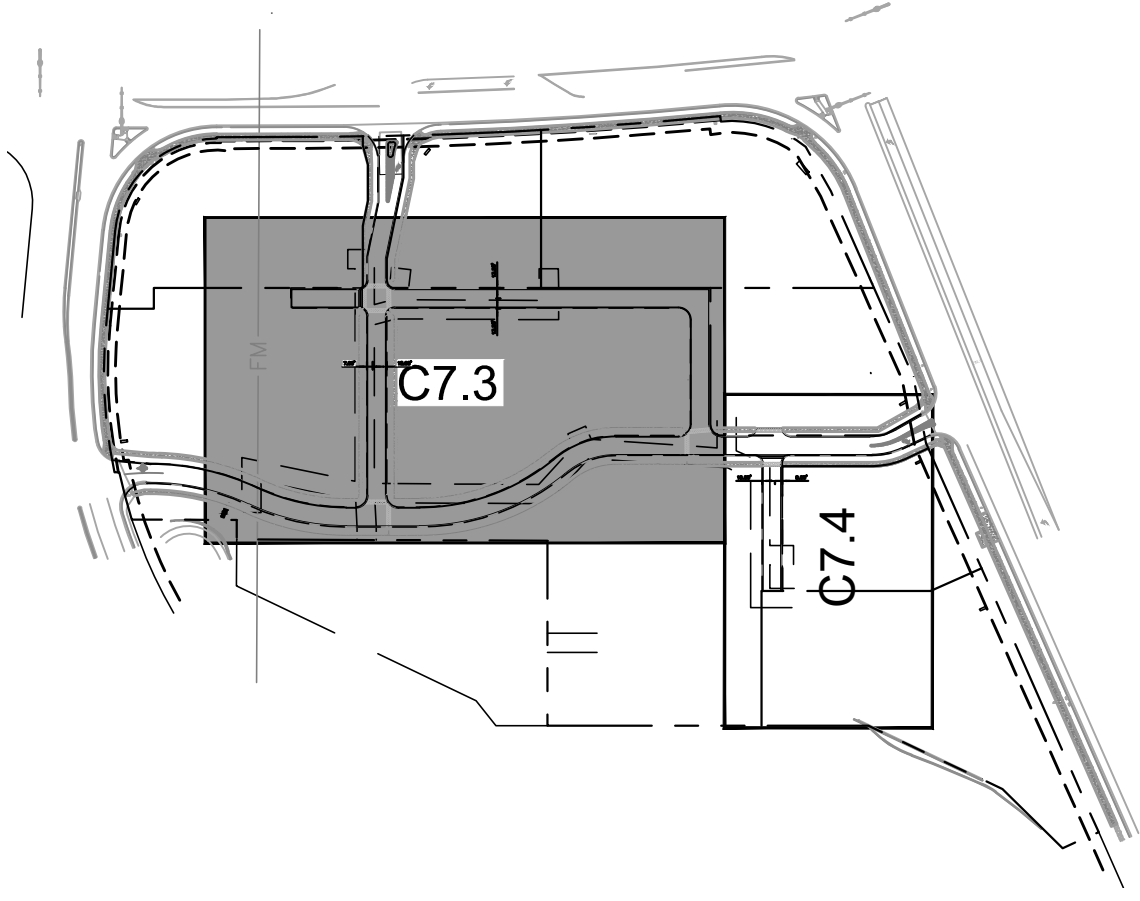


K:\DEN_CADD\096502001 - Mid. Use. Parker. SA\CADD\Plan\Sheet\096502001.dwg, 10/09/2010, 10:57 AM
 THIS DOCUMENT, TOGETHER WITH THE CONCEPTS AND DESIGNS PRESENTED HEREIN, IS AN INSTRUMENT OF SERVICE PROVIDED ONLY FOR THE SPECIFIC PROJECT AND CLIENT FOR WHOM IT WAS PREPARED. NO OTHER USE OR REUSE OF ANY PART OF THIS DOCUMENT IS PERMITTED WITHOUT THE WRITTEN AUTHORIZATION AND ADAPTATION BY KIMLEY-HORN AND ASSOCIATES, INC. SHALL BE WITHOUT LIABILITY TO KIMLEY-HORN AND ASSOCIATES, INC.



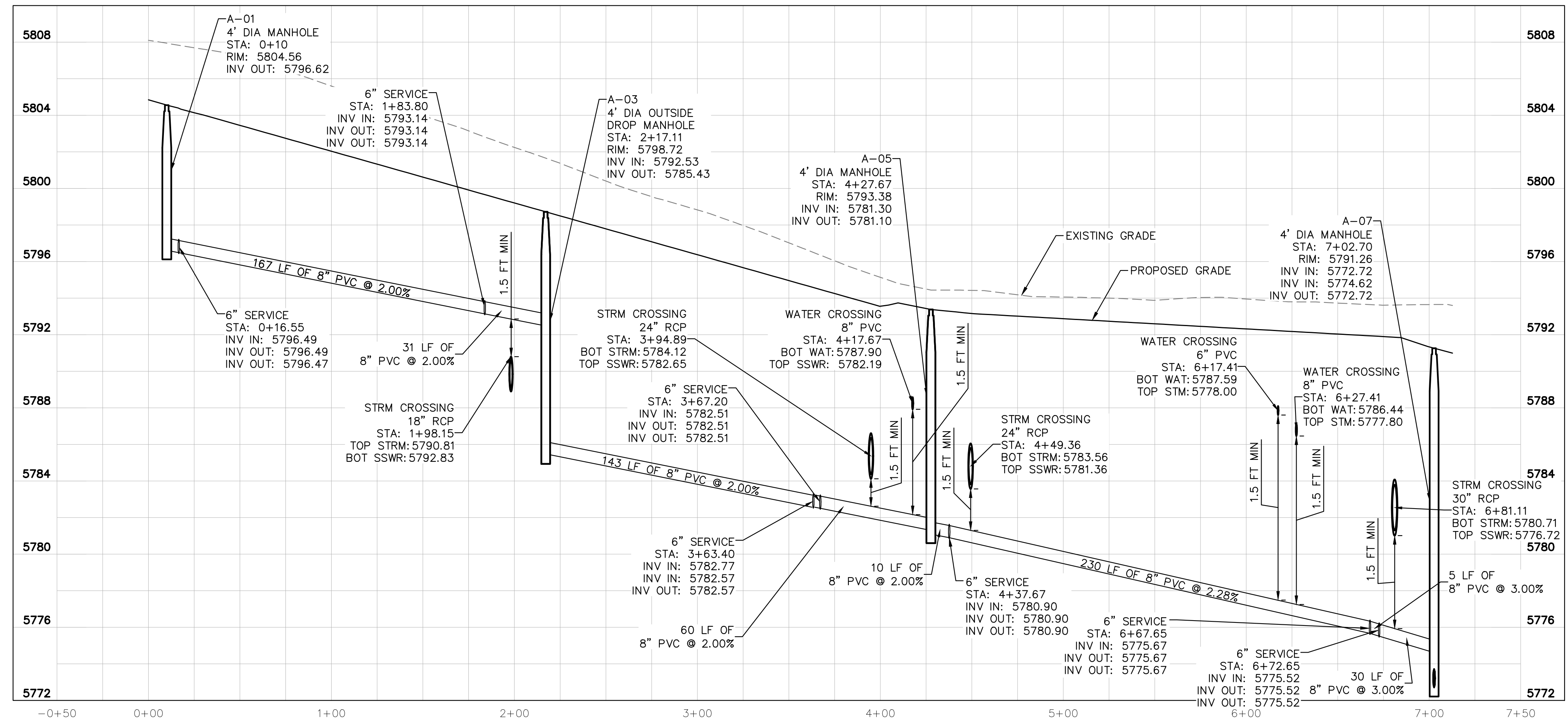
KEY NOTES

- ① WYE CONNECTION INTO PROPOSED 8" PVC SANITARY SEWER MAIN
- ② 6" SDR 35 PVC SANITARY SEWER LINE LATERAL, LENGTH PER PLAN, SLOPE 1% MINIMUM
- ③ 8" SDR 35 PVC PUBLIC SANITARY SEWER LINE, LENGTH AND SLOPE PER PROFILE.
- ④ PROPOSED CLEANOUT. SEE DETAILS.
- ⑤ PROPOSED SANITARY SEWER MANHOLE. SEE DETAILS.
- ⑥ PROPOSED OUTSIDE DROP MANHOLE. SEE DETAILS.
- ⑦ MANHOLE INTERMEDIATE PLATFORM. SEE DETAILS.
- ⑧ PROPOSED WATER/SEWER CROSSING TO MAINTAIN 18" VERTICAL SEPARATION



SANITARY SEWER NOTES

1. ALL SANITARY SEWER CONSTRUCTION SHALL CONFORM TO THE PARKER WATER AND SANITATION DISTRICT SPECIFICATION.
2. ALL SEWER MAINS SHALL BE PVC, ASTM D-3034, SDR 35 OR APPROVED EQUAL. ALL SEWER MAIN SIZE IS 8" IN DIAMETER UNLESS OTHERWISE NOTED.
3. SEWER RIM ELEVATIONS SHOWN ARE APPROXIMATE ONLY AND ARE NOT TO BE TAKEN AS FINAL ELEVATIONS. RING AND COVER SHALL BE SET IN CENTERED CONCRETE RINGS WITH RAM-NECK FOR ADJUSTMENT TO MATCH FINAL PAVEMENT ELEVATIONS.
4. THE CONTRACTOR AND SURVEY CREW SHALL VERIFY ELEVATIONS OF EXISTING SEWER LINES AND MANHOLES TO BE TIED TO PRIOR TO CONSTRUCTION OR STAKING OF SANITARY SEWER.
5. NO UNDERDRAIN SYSTEM WILL BE ALLOWED TO BE PLACED IN MAINLINE OR SEWER SERVICE TRENCHES.
6. SEWER SERVICE TEES FOR EACH UNIT SHALL BE STAKED BY A SURVEY CREW AND FURNISHED AND INSTALLED BY THE CONTRACTOR. THE CONTRACTOR SHALL FURNISH TO THE ENGINEER "AS CONSTRUCTED" LOCATION OF TEES. SEWER WYES SHALL BE USED RATHER THAN TEES.
7. ALL MANHOLES SHALL BE 48-INCHES IN DIAMETER WITH 24-INCH RING AND COVER, ECCENTRIC CONE UNLESS OTHERWISE SPECIFIED.
8. PIPE BEDDING SHALL BE CLASS "B" AND SHALL CONFORM TO ASTM C-33 OR D-448 GRADATION NO. 6 OR NO. 67.
9. AT LEAST FIVE (5) DAYS PRIOR TO THE START OF CONSTRUCTION, A PRE-CONSTRUCTION MEETING WILL BE HELD AT THE OFFICE OF THE DISTRICT ENGINEER AND ATTENDED BY THE CONTRACTOR AND REPRESENTATIVES OF THE OTHER APPROVING AGENCIES. IT WILL BE THE RESPONSIBILITY OF THE CONTRACTOR TO CONTACT THE DISTRICT ENGINEER TO SCHEDULE THIS MEETING.
10. ALL PIPE LENGTHS ARE APPROXIMATE.
11. THE CONTRACTOR SHALL HAVE IN HIS POSSESSION AT ALL TIMES ONE (1) SIGNED COPY OF THE PLANS WHICH HAVE BEEN APPROVED BY THE PARKER WATER AND SANITATION DISTRICT AND THE DISTRICT ENGINEER AND ONE (1) COPY OF THE LATEST PARKER WATER AND SANITATION DISTRICT SPECIFICATION MANUAL.
12. ALL MANHOLES SHALL HAVE SHAPED INVERTS.
13. ALL SEWER LINES SHALL BE TESTED IN ACCORDANCE WITH THE PARKER WATER AND SANITATION DISTRICT STANDARDS AND SPECIFICATIONS PRIOR TO ACCEPTANCE OR ANY CONNECTION TO AN EXISTING SEWER LINE.
14. PRIOR TO START WORK WHERE SEWER MAIN TO BE INSTALLED INTO EXISTING DISTRICT SEWER SYSTEMS, THE NEAREST MANHOLE TO THE POINT OF TIE-IN SHALL BE PLUGGED WITH A PLUMBER'S PLUG ON THE INLET SIDE BY THE CONTRACTOR. THIS PLUG SHALL REMAIN IN PLACE UNTIL FINAL ACCEPTANCE BY THE DISTRICT. ITS PURPOSE SHALL BE TO PREVENT ANY MUD, WATER OR OTHER MATERIALS FROM ENTERING THE LINE DURING CONSTRUCTION. THE CONTRACTOR SHALL BE RESPONSIBLE FOR PUMPING AND CLEANING THESE MANHOLES AND REMOVING THE PLUG WHEN SO INSTRUCTED BY THE DISTRICT.
15. PRIOR TO PROBATIONARY ACCEPTANCE WALK-THROUGH, THE CLIENT SHALL JET CLEAN THE ENTIRE SANITARY SEWER SYSTEM AND PUMP OUT AT THE PLUGGED MANHOLE.
16. DOUBLE CLEANOUTS SHALL BE PROVIDED WITHIN 5 FEET OF EACH BUILDING CONNECTION. REFER TO MEP PLANS FOR CONTINUATION INSIDE BUILDING.
17. ALL SANITARY SERVICES TO CONNECT TO MAIN VIA WYE CONNECTION.
18. AT ALL POTABLE WATER MAIN AND SANITARY SEWER CROSSINGS WHERE THE PROPOSED SANITARY SEWER LINE LIES ABOVE THE PROPOSED WATER MAIN OR WITHIN 18" BELOW THE WATER MAIN, A CONCRETE ENCASUREMENT IS TO BE PROVIDED ALONG THE SANITARY SEWER PIPE FOR 10 FT ON EITHER SIDE OF THE CROSSING. CONCRETE ENCASUREMENT TO BE PROVIDED PER THE PWSD SECTION 9.3.2.
19. AT ALL STORM SEWER AND SANITARY SEWER CROSSINGS WHERE THE PROPOSED SANITARY SEWER LINE LIES ABOVE THE PROPOSED STORM SEWER OR WITHIN 18" BELOW THE STORM SEWER, A CONCRETE ENCASUREMENT IS TO BE PROVIDED ALONG THE SANITARY SEWER PIPE FOR 10 FT ON EITHER SIDE OF THE CROSSING. CONCRETE ENCASUREMENT TO BE PROVIDED PER THE PWSD SECTION 9.3.2.
20. PROVIDE WATER LOWERING PER PWSD WATER DETAIL #27 WHERE CONFLICTS WITH STORM SEWER AND WATER SERVICES MAY EXIST.



SANITARY SEWER MAIN PROFILE A
 STRUCTURE SSWR-A-01 TO SSWR-A-07
 HORIZONTAL SCALE: 1"=40'
 VERTICAL SCALE: 1"=8'

CAUTION
 CONTRACTOR IS TO VERIFY PRESENCE AND EXACT UTILITIES PRIOR TO CONSTRUCTION.

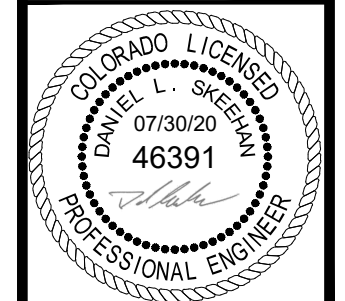


NO.	REVISION	BY	DATE

Kimley»Horn
 2020 KIMLEY-HORN AND ASSOCIATES, INC.
 4582 South Ulster Street, Suite 1500
 Denver, Colorado 80237 (303) 228-2300

DESIGNED BY: DLS
 DRAWN BY: JRK
 CHECKED BY: DLS
 DATE: 08/11/20

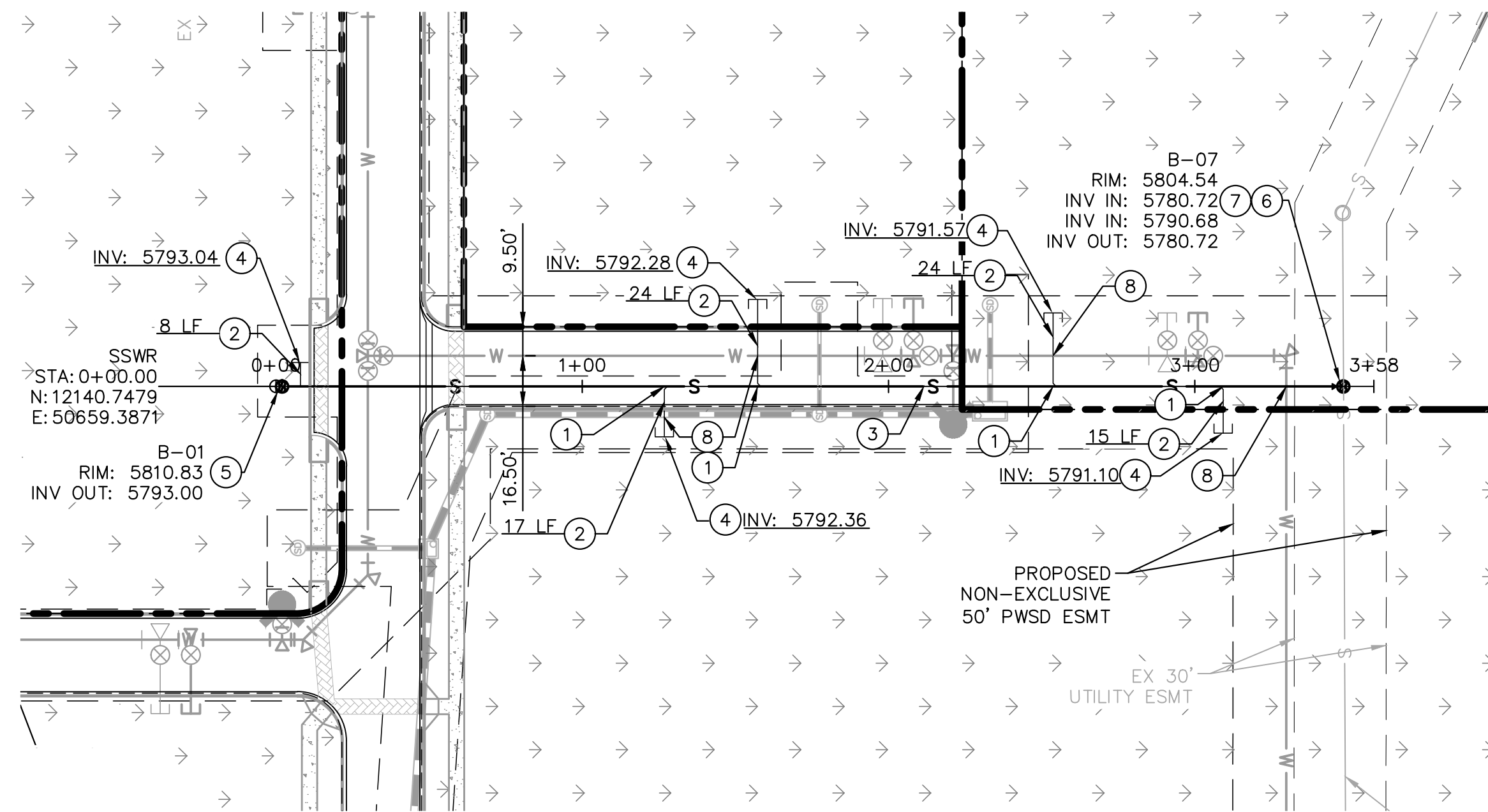
PARKER AND PINE FILING 1
 PARKER, CO
 CONSTRUCTION DOCUMENTS
SANITARY SEWER PLAN AND PROFILE



PROJECT NO.
096502001
 DRAWING NAME
096502001SS

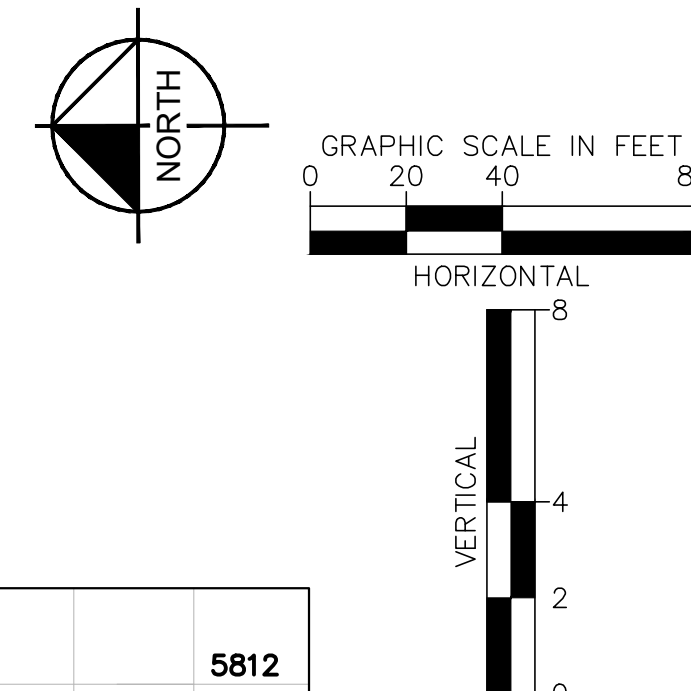
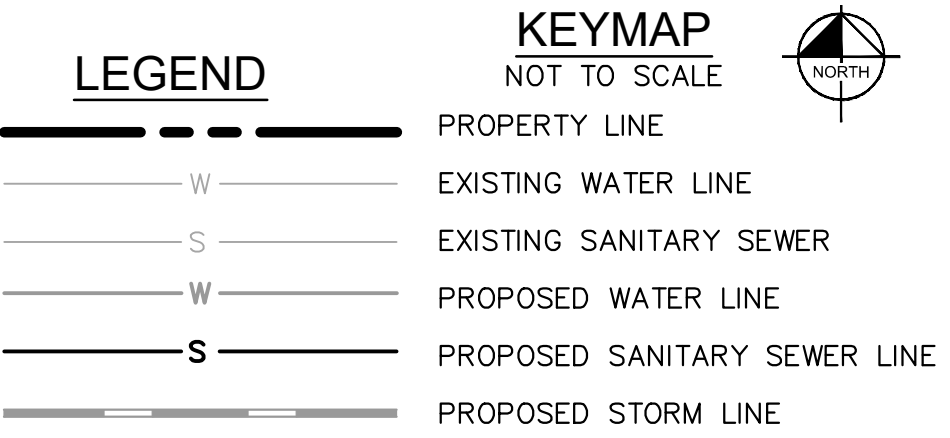
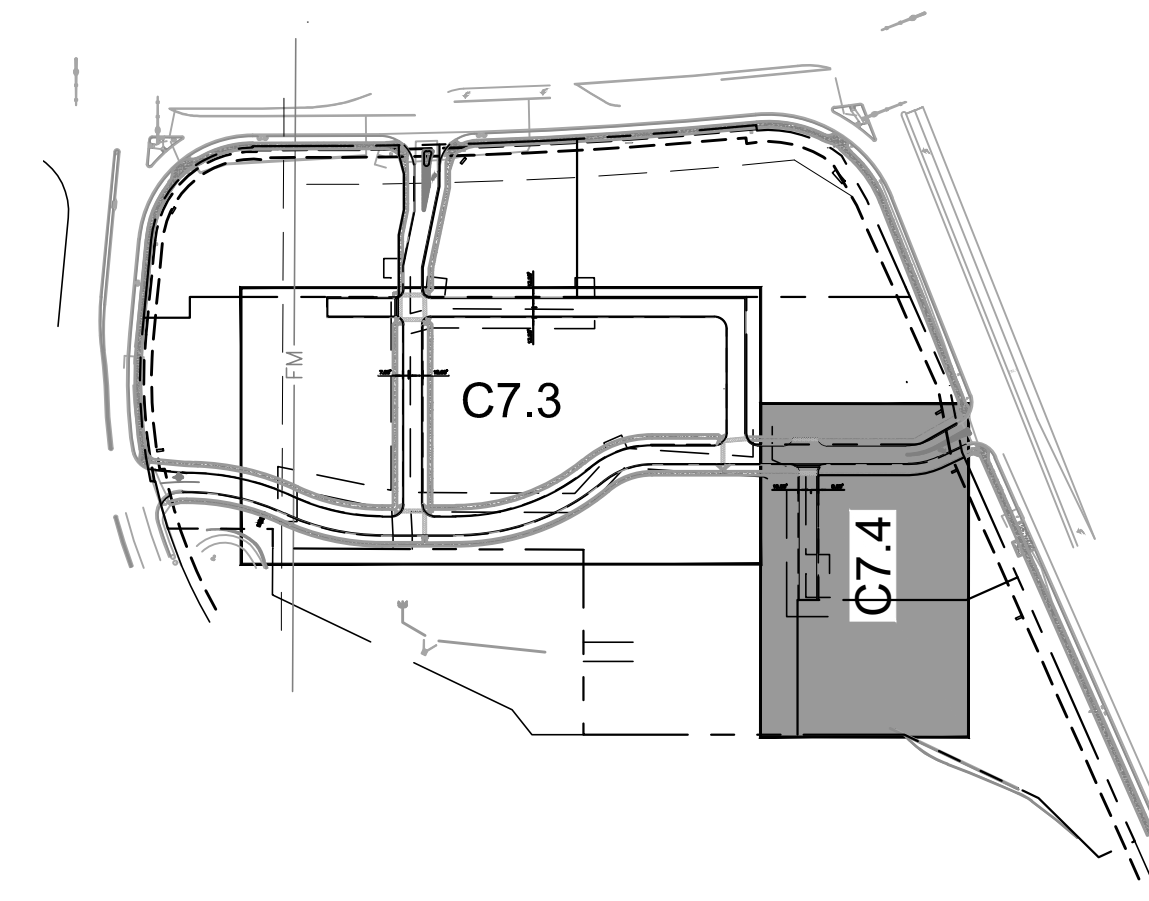
C7.3

K:\DENV_Civil\096502001 - Mid. Use, Parker, SA\CADD\Plan\Sheet\096502001.dwg, K:\DENV_Civil\096502001.dwg, 10/19/2010, 10:47 AM
 THIS DOCUMENT, TOGETHER WITH THE CONCEPTS AND DESIGNS PRESENTED HEREIN, IS AN INSTRUMENT OF SERVICE PROVIDED ONLY FOR THE SPECIFIC PROJECT AND SITE INDICATED AND IS NOT TO BE REPRODUCED OR USED FOR ANY OTHER PROJECT WITHOUT THE WRITTEN AUTHORIZATION AND ADAPTATION BY KIMLEY-HORN AND ASSOCIATES, INC.



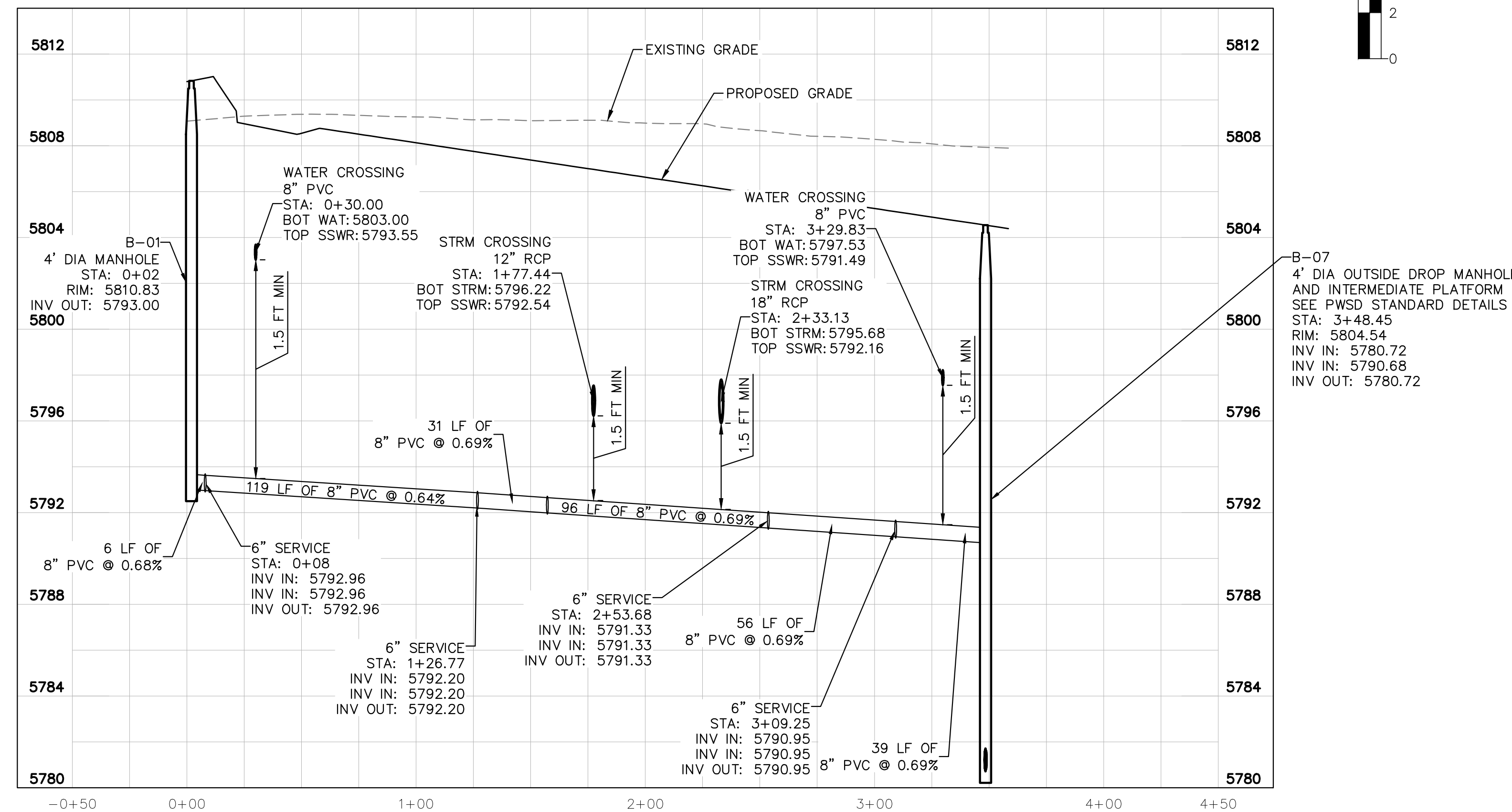
KEY NOTES

- ① WYE CONNECTION INTO PROPOSED 8" SANITARY SEWER MAIN
- ② 6" SDR 35 PVC SANITARY SEWER LINE LATERAL, LENGTH PER PLAN, SLOPE 1% MINIMUM
- ③ 8" SDR 35 PVC PUBLIC SANITARY SEWER LINE, LENGTH AND SLOPE PER PROFILE.
- ④ PROPOSED CLEANOUT. SEE DETAILS.
- ⑤ PROPOSED SANITARY SEWER MANHOLE. SEE DETAILS.
- ⑥ PROPOSED OUTSIDE DROP MANHOLE. SEE DETAILS.
- ⑦ MANHOLE INTERMEDIATE PLATFORM. SEE DETAILS.
- ⑧ PROPOSED WATER/SEWER CROSSING TO MAINTAIN 18" VERTICAL SEPARATION



SANITARY SEWER NOTES

1. ALL SANITARY SEWER CONSTRUCTION SHALL CONFORM TO THE PARKER WATER AND SANITATION DISTRICT SPECIFICATION.
2. ALL SEWER MAINS SHALL BE PVC, ASTM D-3034, SDR 35 OR APPROVED EQUAL. ALL SEWER MAIN SIZE IS 8" IN DIAMETER UNLESS OTHERWISE NOTED.
3. SEWER RIM ELEVATIONS SHOWN ARE APPROXIMATE ONLY AND ARE NOT TO BE TAKEN AS FINAL ELEVATIONS. RING AND COVER SHALL BE SET IN CENTERED CONCRETE RINGS WITH RAM-NECK FOR ADJUSTMENT TO MATCH FINAL PAVEMENT ELEVATIONS.
4. THE CONTRACTOR AND SURVEY CREW SHALL VERIFY ELEVATIONS OF EXISTING SEWER LINES AND MANHOLES TO BE TIED TO PRIOR TO CONSTRUCTION OR STAKING OF SANITARY SEWER.
5. NO UNDERDRAIN SYSTEM WILL BE ALLOWED TO BE PLACED IN MAINLINE OR SEWER SERVICE TRENCHES.
6. SEWER SERVICE TEES FOR EACH UNIT SHALL BE STAKED BY A SURVEY CREW AND FURNISHED AND INSTALLED BY THE CONTRACTOR. THE CONTRACTOR SHALL FURNISH TO THE ENGINEER "AS CONSTRUCTED" LOCATION OF TEES. SEWER WYES SHALL BE USED RATHER THAN TEES.
7. ALL MANHOLES SHALL BE 48-INCHES IN DIAMETER WITH 24-INCH RING AND COVER, ECCENTRIC CONE UNLESS OTHERWISE SPECIFIED.
8. PIPE BEDDING SHALL BE CLASS "B" AND SHALL CONFORM TO ASTM C-33 OR D-448 GRADATION NO. 6 OR NO. 67.
9. AT LEAST FIVE (5) DAYS PRIOR TO THE START OF CONSTRUCTION, A PRE-CONSTRUCTION MEETING WILL BE HELD AT THE OFFICE OF THE DISTRICT ENGINEER AND ATTENDED BY THE CONTRACTOR AND REPRESENTATIVES OF THE OTHER APPROVING AGENCIES. IT WILL BE THE RESPONSIBILITY OF THE CONTRACTOR TO CONTACT THE DISTRICT ENGINEER TO SCHEDULE THIS MEETING.
10. ALL PIPE LENGTHS ARE APPROXIMATE.
11. THE CONTRACTOR SHALL HAVE IN HIS POSSESSION AT ALL TIMES ONE (1) SIGNED COPY OF THE PLANS WHICH HAVE BEEN APPROVED BY THE PARKER WATER AND SANITATION DISTRICT AND THE DISTRICT ENGINEER AND ONE (1) COPY OF THE LATEST PARKER WATER AND SANITATION DISTRICT SPECIFICATION MANUAL.
12. ALL MANHOLES SHALL HAVE SHAPED INVERTS.
13. ALL SEWER LINES SHALL BE TESTED IN ACCORDANCE WITH THE PARKER WATER AND SANITATION DISTRICT STANDARDS AND SPECIFICATIONS PRIOR TO ACCEPTANCE OR ANY CONNECTION TO AN EXISTING SEWER LINE.
14. PRIOR TO START WORK WHERE SEWER MAIN TO BE INSTALLED INTO EXISTING DISTRICT SEWER SYSTEMS, THE NEAREST MANHOLE TO THE POINT OF TIE-IN SHALL BE PLUGGED WITH A PLUMBER'S PLUG ON THE INLET SIDE BY THE CONTRACTOR. THIS PLUG SHALL REMAIN IN PLACE UNTIL FINAL ACCEPTANCE BY THE DISTRICT. ITS PURPOSE SHALL BE TO PREVENT ANY MUD, WATER OR OTHER MATERIALS FROM ENTERING THE LINE DURING CONSTRUCTION. THE CONTRACTOR SHALL BE RESPONSIBLE FOR PUMPING AND CLEANING THESE MANHOLES AND REMOVING THE PLUG WHEN SO INSTRUCTED BY THE DISTRICT.
15. PRIOR TO PROBATIONARY ACCEPTANCE WALK-THROUGH, THE CLIENT SHALL JET CLEAN THE ENTIRE SANITARY SEWER SYSTEM AND PUMP OUT AT THE PLUGGED MANHOLE.
16. DOUBLE CLEANOUTS SHALL BE PROVIDED WITHIN 5 FEET OF EACH BUILDING CONNECTION. REFER TO MEP PLANS FOR CONTINUATION INSIDE BUILDING.
17. ALL SANITARY SERVICES TO CONNECT TO MAIN VIA WYE CONNECTION.
18. AT ALL POTABLE WATER MAIN AND SANITARY SEWER CROSSINGS WHERE THE PROPOSED SANITARY SEWER LINE LIES ABOVE THE PROPOSED WATER MAIN OR WITHIN 18" BELOW THE WATER MAIN, A CONCRETE ENCASUREMENT IS TO BE PROVIDED ALONG THE SANITARY SEWER PIPE FOR 10 FT ON EITHER SIDE OF THE CROSSING. CONCRETE ENCASUREMENT TO BE PROVIDED PER THE PWSW SECTION 9.3.2.
19. AT ALL STORM SEWER AND SANITARY SEWER CROSSINGS WHERE THE PROPOSED SANITARY SEWER LINE LIES ABOVE THE PROPOSED STORM SEWER OR WITHIN 18" BELOW THE STORM SEWER, A CONCRETE ENCASUREMENT IS TO BE PROVIDED ALONG THE SANITARY SEWER PIPE FOR 10 FT ON EITHER SIDE OF THE CROSSING. CONCRETE ENCASUREMENT TO BE PROVIDED PER THE PWSW SECTION 9.3.2.
20. PROVIDE WATER LOWERING PER PWSW WATER DETAIL #27 WHERE CONFLICTS WITH STORM SEWER AND WATER SERVICES MAY EXIST.



SANITARY SEWER MAIN PROFILE
STRUCTURE SSW-B-01 TO SSW-B-07

HORIZONTAL SCALE: 1"=40'
VERTICAL SCALE: 1"=8'

CAUTION
CONTRACTOR IS TO VERIFY PRESENCE AND EXACT UTILITIES PRIOR TO CONSTRUCTION.



NO.	REVISION	BY	DATE

Kimley»Horn
2020 KIMLEY-HORN AND ASSOCIATES, INC.
4582 South Ulster Street, Suite 1500
Denver, Colorado 80237 (303) 228-2300

DESIGNED BY: DLS
DRAWN BY: JRK
CHECKED BY: DLS
DATE: 08/11/20

PARKER AND PINE FILING 1
PARKER, CO
CONSTRUCTION DOCUMENTS
SANITARY SEWER PLAN AND PROFILE

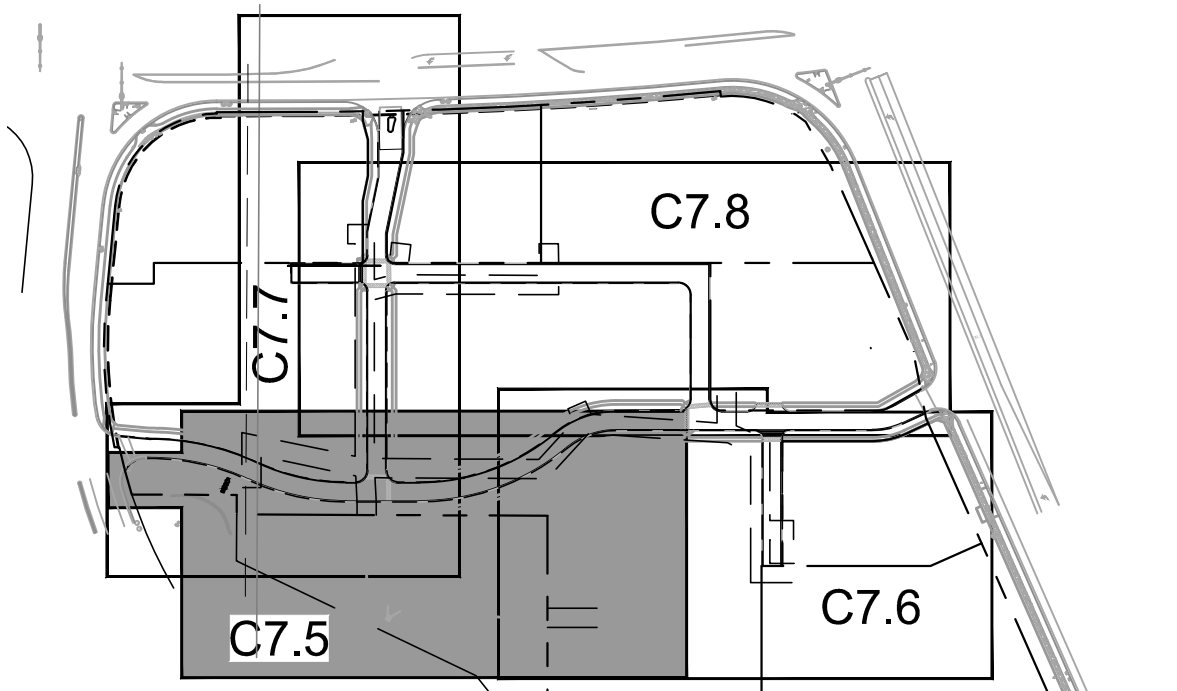
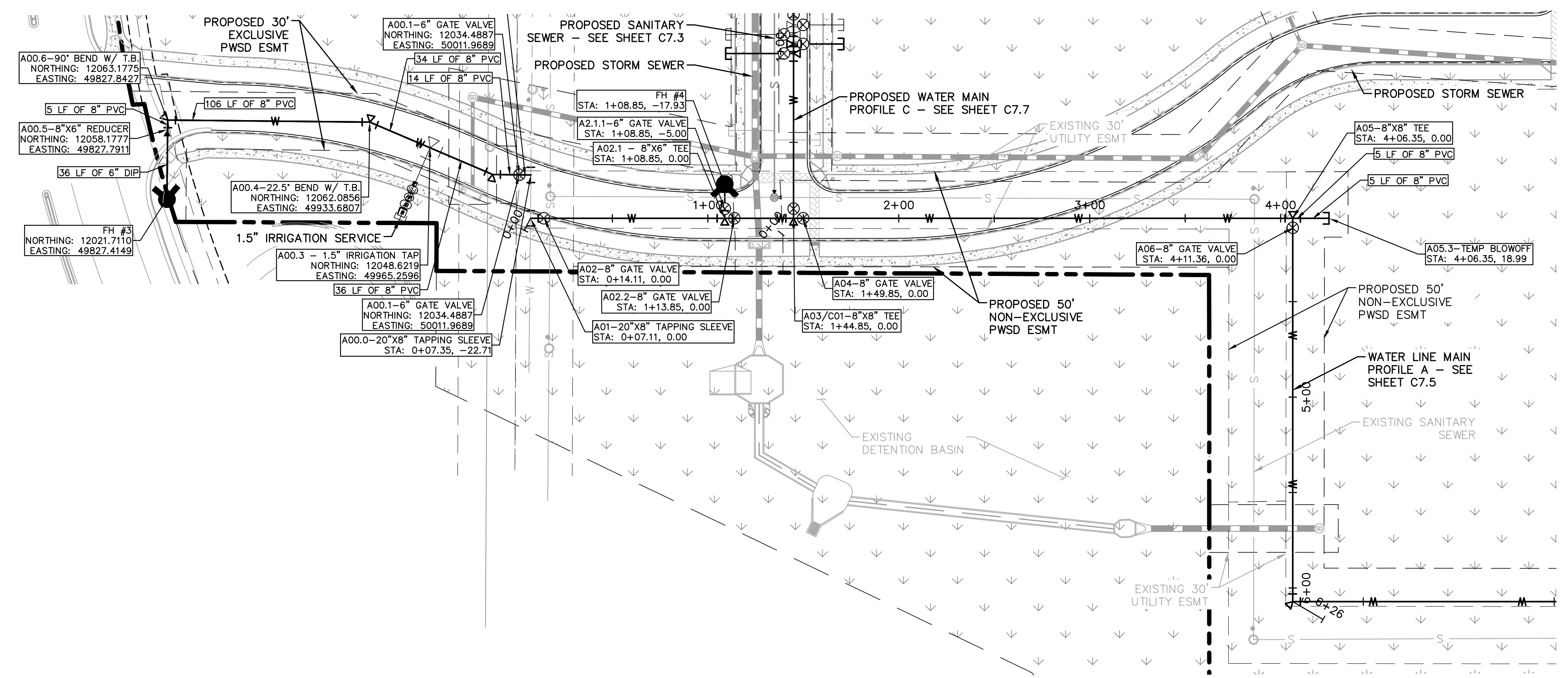


PROJECT NO.
096502001

DRAWING NAME
096502001SS

C7.4

K:\DENVER_CADD\096502001 - Mt. Lee, Parker, SA\CADD\PlanSheet\096502001WT_PP.dwg, K:\DENVER_CADD\096502001 - Mt. Lee, Parker, SA\CADD\PlanSheet\096502001WT_PP.dwg, 10/18/2016 10:57 AM
 THIS DOCUMENT, TOGETHER WITH THE CONCEPTS AND DESIGNS PRESENTED HEREIN, IS AN INSTRUMENT OF SERVICE AS PROVIDED UNDER THE PROFESSIONAL ENGINEERING AND SURVEYING ACT AND IS TO BE USED ONLY FOR THE PROJECT AND SITE SPECIFICALLY IDENTIFIED ON THE TITLE SHEET. NO PART OF THIS DOCUMENT SHALL BE REPRODUCED OR TRANSMITTED IN ANY FORM OR BY ANY MEANS, ELECTRONIC OR MECHANICAL, INCLUDING PHOTOCOPYING, RECORDING, OR BY ANY INFORMATION STORAGE AND RETRIEVAL SYSTEM, WITHOUT THE WRITTEN PERMISSION OF KIMLEY-HORN AND ASSOCIATES, INC.

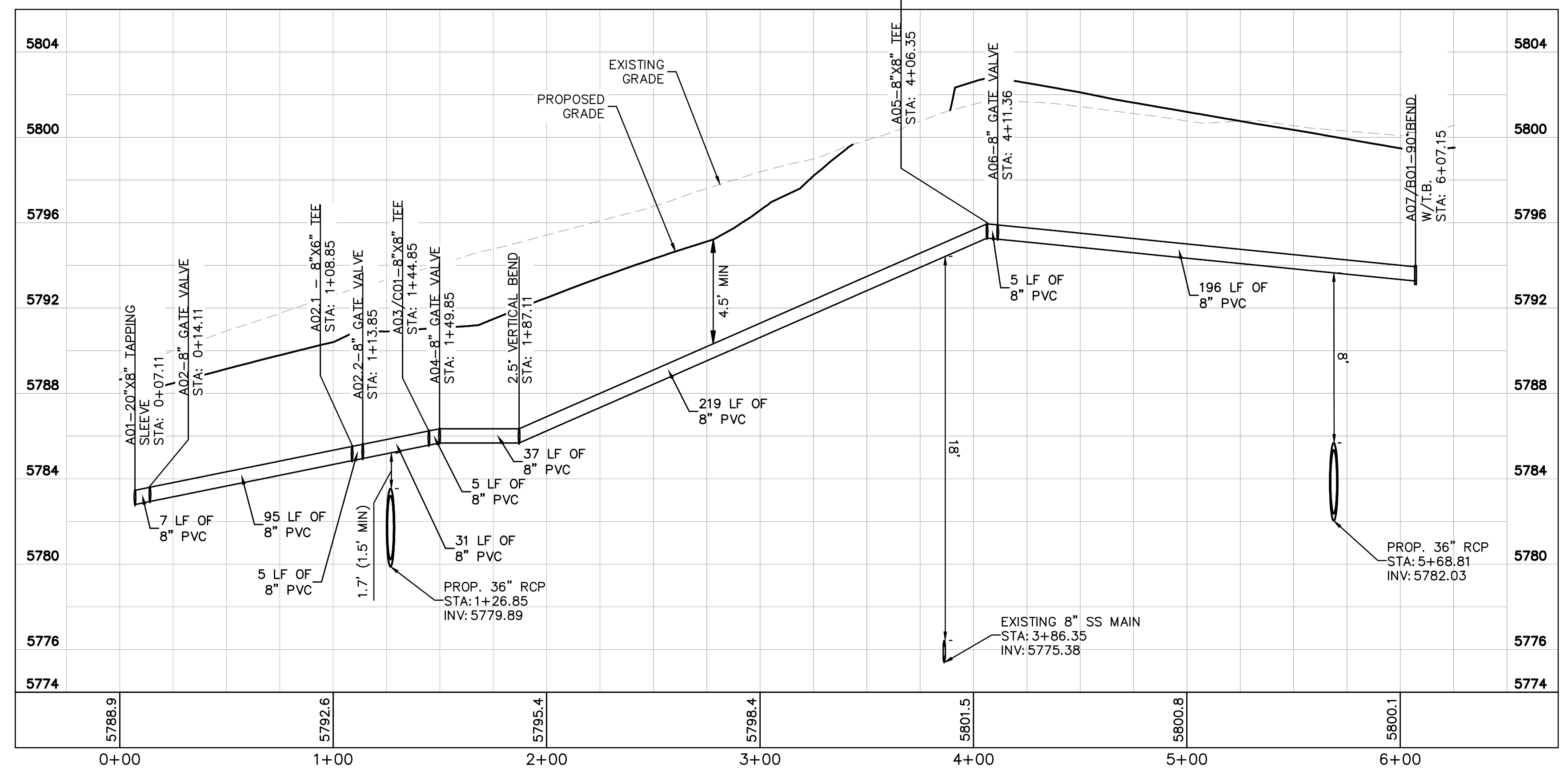
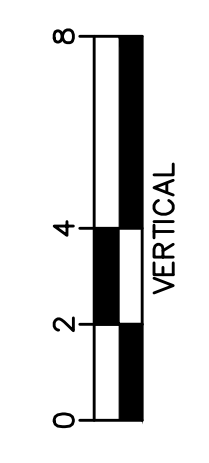
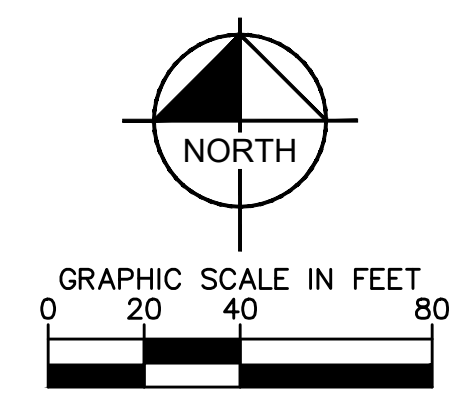


LEGEND

---	PROPERTY LINE
---	EXISTING WATER LINE
---	EXISTING SANITARY SEWER
---	PROPOSED WATER LINE
---	PROPOSED SANITARY SEWER LINE
---	PROPOSED STORM LINE

KEYMAP
NOT TO SCALE

NORTH



WATER MAIN PROFILE A
STRUCTURE A01 TO A07

HORIZONTAL SCALE: 1"=40'
VERTICAL SCALE: 1"=4'

WATER NOTES

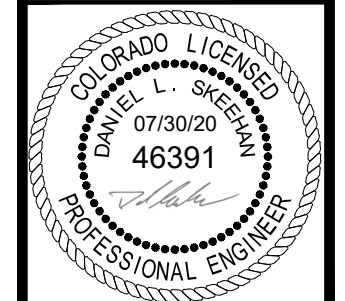
- CONTRACTOR TO POTHOLE EXISTING UTILITY LINES AT WATER LINE CROSSING AREAS PRIOR TO CONSTRUCTION.
- WATER LINE CONNECTION ELEVATION TO EXISTING WATER MAINS IS APPROXIMATE. CONTRACTOR TO POTHOLE AND VERIFY TIE IN ELEVATION PRIOR TO CONSTRUCTION OF WATER MAIN.
- CONTRACTOR TO MEET THE INSTALLATION REQUIREMENTS BY THE PARKER WATER AND SANITATION DISTRICT DESIGN STANDARDS AND CONSTRUCTION SPECIFICATIONS.
- 24 UNIT BUILDINGS (BUILDINGS 1-7) SHALL PROVIDE INTERNAL BACKFLOW PREVENTER AND EXTERNAL 2" DOMESTIC METER.
- 36 UNIT (BUILDING 8) SHALL PROVIDE INTERNAL BACK FLOW PREVENTERS AND 1-1/2" DOMESTIC METER.
- VERTICAL BENDS AND DEFLECTIONS MAYBE UTILIZED TO PROVIDE VERTICAL CHANGES IN ACCORDANCE WITH PWSD STANDARDS AS NEEDED.
- AT ALL POTABLE WATER MAIN AND SANITARY SEWER CROSSINGS WHERE THE PROPOSED SANITARY SEWER LINE LIES ABOVE THE PROPOSED WATER MAIN OR WITHIN 18" BELOW THE WATER MAIN, A CONCRETE ENCASMENT IS TO BE PROVIDED ALONG THE SANITARY SEWER PIPE FOR 10 FT ON EITHER SIDE OF THE CROSSING. CONCRETE ENCASMENT TO BE PROVIDED PER THE PWSD SECTION 9.3.2.
- AT ALL STORM SEWER AND SANITARY SEWER CROSSINGS WHERE THE PROPOSED SANITARY SEWER LINE LIES ABOVE THE PROPOSED STORM SEWER OR WITHIN 18" BELOW THE STORM SEWER, A CONCRETE ENCASMENT IS TO BE PROVIDED ALONG THE SANITARY SEWER PIPE FOR 10 FT ON EITHER SIDE OF THE CROSSING. CONCRETE ENCASMENT TO BE PROVIDED PER THE PWSD SECTION 9.3.2.
- ALL WATER LINES SHALL BE INSTALLED AT LEAST 4.5 FEET BELOW THE OFFICIAL STREET GRADE AND IN ALL OTHER PLACES AT LEAST 4.5 FEET BELOW THE SURFACE OF THE GROUND.

NO.	REVISION	BY	DATE	APPR

Kimley»Horn
 2020 KIMLEY-HORN AND ASSOCIATES, INC.
 4582 South Ulster Street, Suite 1500
 Denver, Colorado 80237 (303) 228-2300

DESIGNED BY: DLS
 DRAWN BY: JRK
 CHECKED BY: DLS
 DATE: 08/11/20

PARKER AND PINE FILING 1
 PARKER, CO
 CONSTRUCTION DOCUMENTS
WATER PLAN AND PROFILE - A



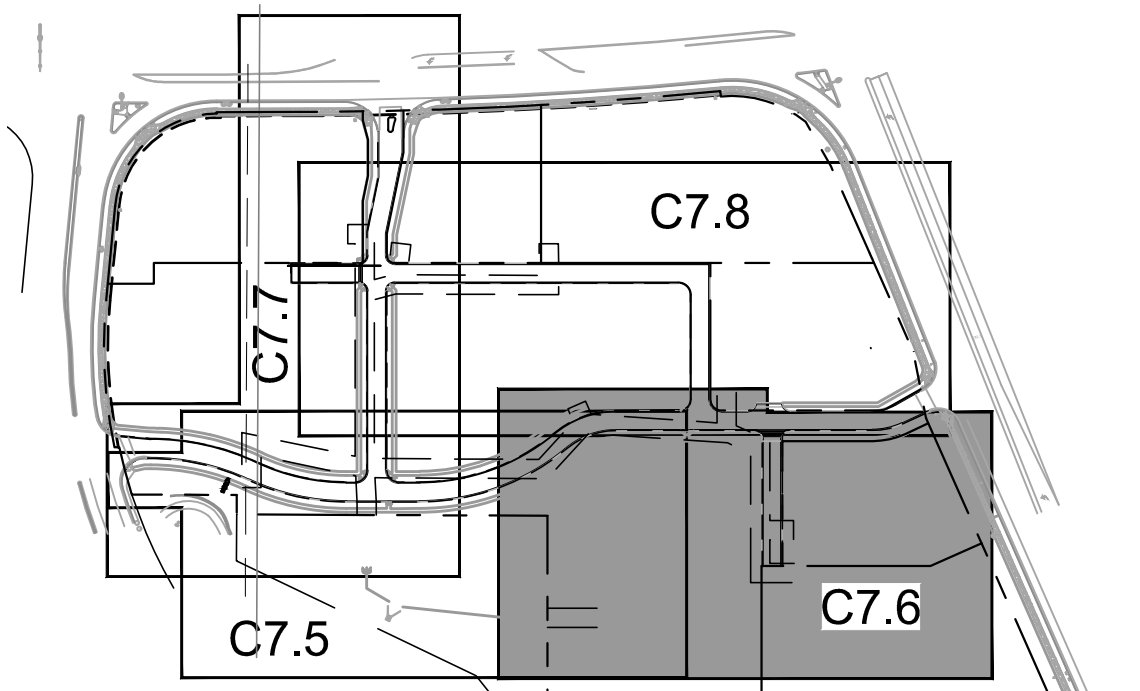
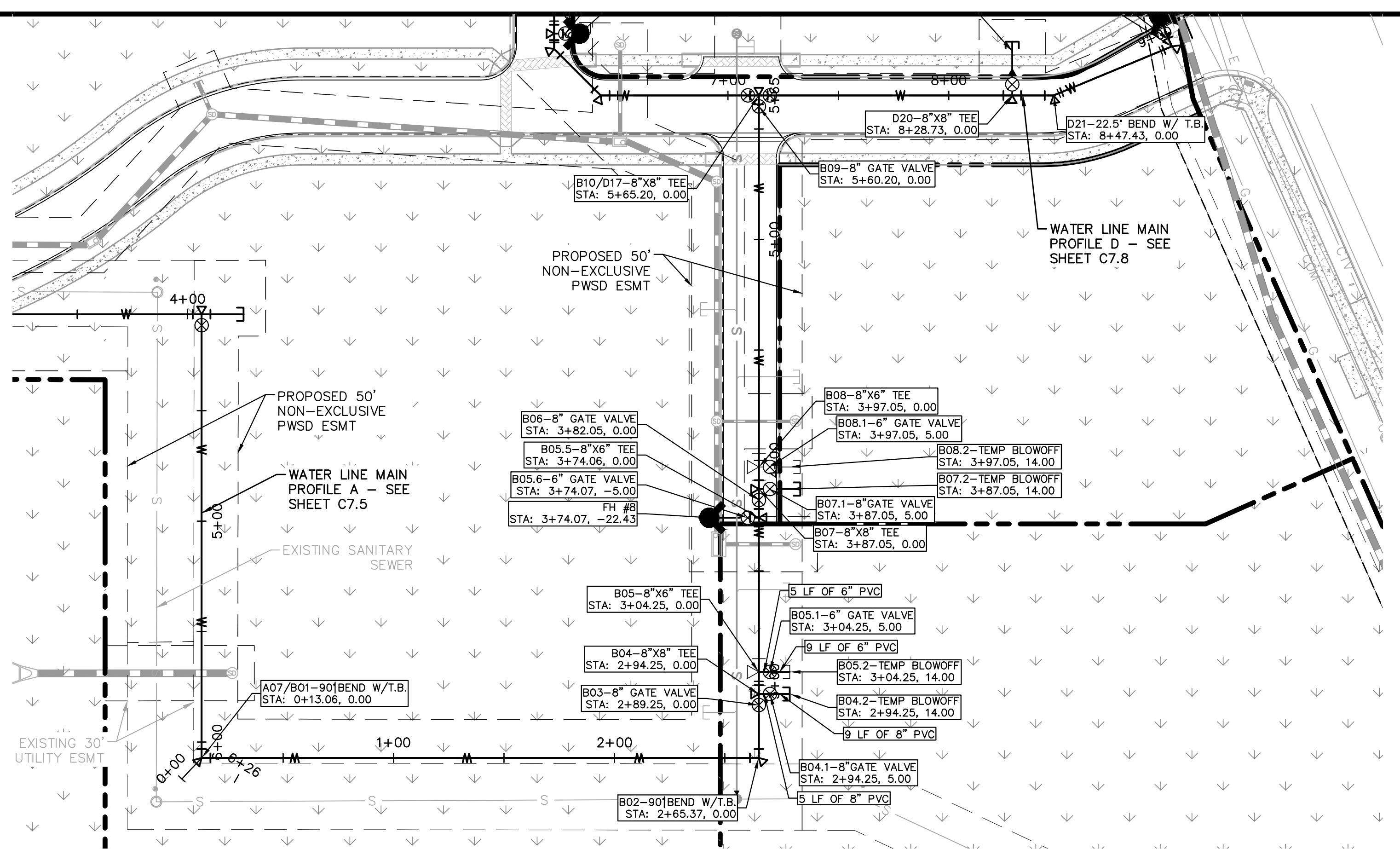
PROJECT NO.
096502001

DRAWING NAME
096502001WT-PP

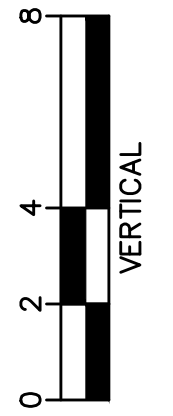
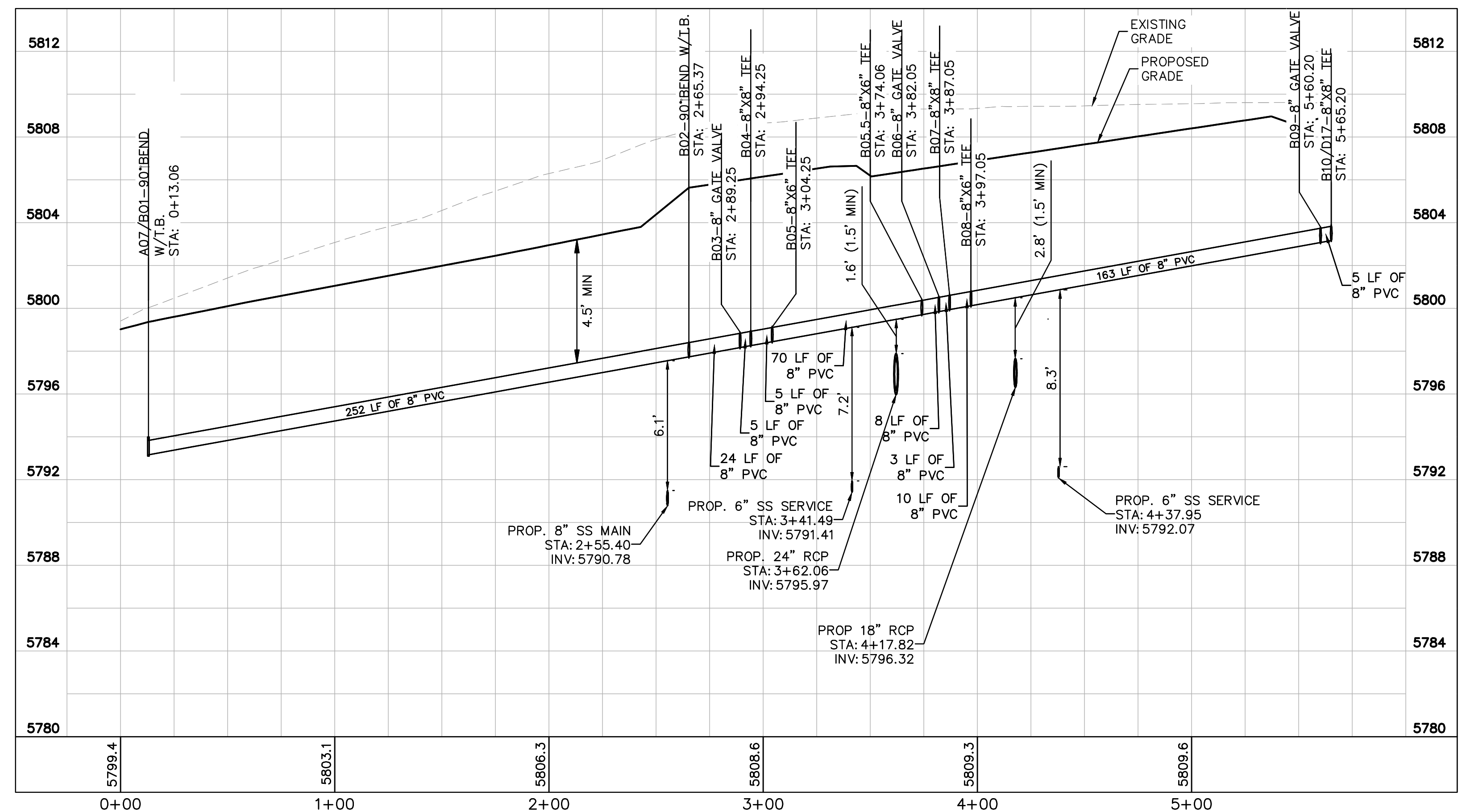
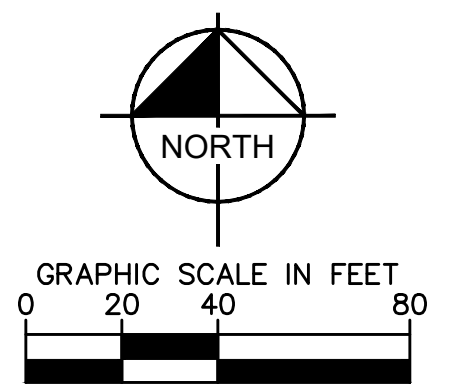
C7.5



K:\DEN_Civil\096502001 - Mid. Use, Parker, SA\CADD\PlanSheet\096502001WT_PP.dwg, K:\DEN_Civil\096502001 - Mid. Use, Parker, SA\CADD\PlanSheet\096502001WT_PP.dwg, 10/18/2016 10:57 AM
 THIS DOCUMENT, TOGETHER WITH THE CONCEPTS AND DESIGNS PRESENTED HEREIN, IS AN INSTRUMENT OF SERVICE AS PROVIDED UNDER THE PROFESSIONAL ENGINEERING AND SURVEYING ACT AND IS NOT TO BE REPRODUCED OR TRANSMITTED IN ANY FORM OR BY ANY MEANS, ELECTRONIC OR MECHANICAL, INCLUDING PHOTOCOPYING, RECORDING, OR BY ANY INFORMATION STORAGE AND RETRIEVAL SYSTEM, WITHOUT THE WRITTEN AUTHORIZATION AND ADAPTATION BY KIMLEY-HORN AND ASSOCIATES, INC. SHALL BE WITHOUT LIABILITY TO KIMLEY-HORN AND ASSOCIATES, INC.



LEGEND	
---	PROPERTY LINE
---	EXISTING WATER LINE
---	EXISTING SANITARY SEWER
---	PROPOSED WATER LINE
---	PROPOSED SANITARY SEWER LINE
---	PROPOSED STORM LINE



- WATER NOTES**
- CONTRACTOR TO POTHOLE EXISTING UTILITY LINES AT WATER LINE CROSSING AREAS PRIOR TO CONSTRUCTION.
 - WATER LINE CONNECTION ELEVATION TO EXISTING WATER MAINS IS APPROXIMATE. CONTRACTOR TO POTHOLE AND VERIFY TIE IN ELEVATION PRIOR TO CONSTRUCTION OF WATER MAIN.
 - CONTRACTOR TO MEET THE INSTALLATION REQUIREMENTS BY THE PARKER WATER AND SANITATION DISTRICT DESIGN STANDARDS AND CONSTRUCTION SPECIFICATIONS.
 - 24 UNIT BUILDINGS (BUILDINGS 1-7) SHALL PROVIDE INTERNAL BACKFLOW PREVENTER AND EXTERNAL 2" DOMESTIC METER.
 - 36 UNIT (BUILDING 8) SHALL PROVIDE INTERNAL BACK FLOW PREVENTERS AND 1-1/2" DOMESTIC METER.
 - VERTICAL BENDS AND DEFLECTIONS MAYBE UTILIZED TO PROVIDE VERTICAL CHANGES IN ACCORDANCE WITH PWSD STANDARDS AS NEEDED.
 - AT ALL POTABLE WATER MAIN AND SANITARY SEWER CROSSINGS WHERE THE PROPOSED SANITARY SEWER LINE LIES ABOVE THE PROPOSED WATER MAIN OR WITHIN 18" BELOW THE WATER MAIN, A CONCRETE ENCASEMENT IS TO BE PROVIDED ALONG THE SANITARY SEWER PIPE FOR 10 FT ON EITHER SIDE OF THE CROSSING. CONCRETE ENCASEMENT TO BE PROVIDED PER THE PWSD SECTION 9.3.2.
 - AT ALL STORM SEWER AND SANITARY SEWER CROSSINGS WHERE THE PROPOSED SANITARY SEWER LINE LIES ABOVE THE PROPOSED STORM SEWER OR WITHIN 18" BELOW THE STORM SEWER, A CONCRETE ENCASEMENT IS TO BE PROVIDED ALONG THE SANITARY SEWER PIPE FOR 10 FT ON EITHER SIDE OF THE CROSSING. CONCRETE ENCASEMENT TO BE PROVIDED PER THE PWSD SECTION 9.3.2.
 - ALL WATER LINES SHALL BE INSTALLED AT LEAST 4.5 FEET BELOW THE OFFICIAL STREET GRADE AND IN ALL OTHER PLACES AT LEAST 4.5 FEET BELOW THE SURFACE OF THE GROUND.

WATER MAIN PROFILE B
 STRUCTURE B01 TO B10

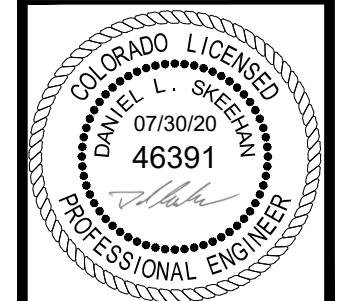
HORIZONTAL SCALE: 1"=40'
 VERTICAL SCALE: 1"=4'

NO.	REVISION	BY	DATE	APPR

Kimley»Horn
 2020 KIMLEY-HORN AND ASSOCIATES, INC.
 4582 South Ulster Street, Suite 1500
 Denver, Colorado 80237 (303) 228-2300

DESIGNED BY: DLS
 DRAWN BY: JRK
 CHECKED BY: DLS
 DATE: 08/11/20

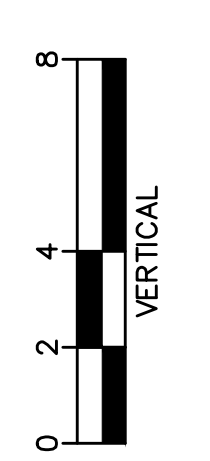
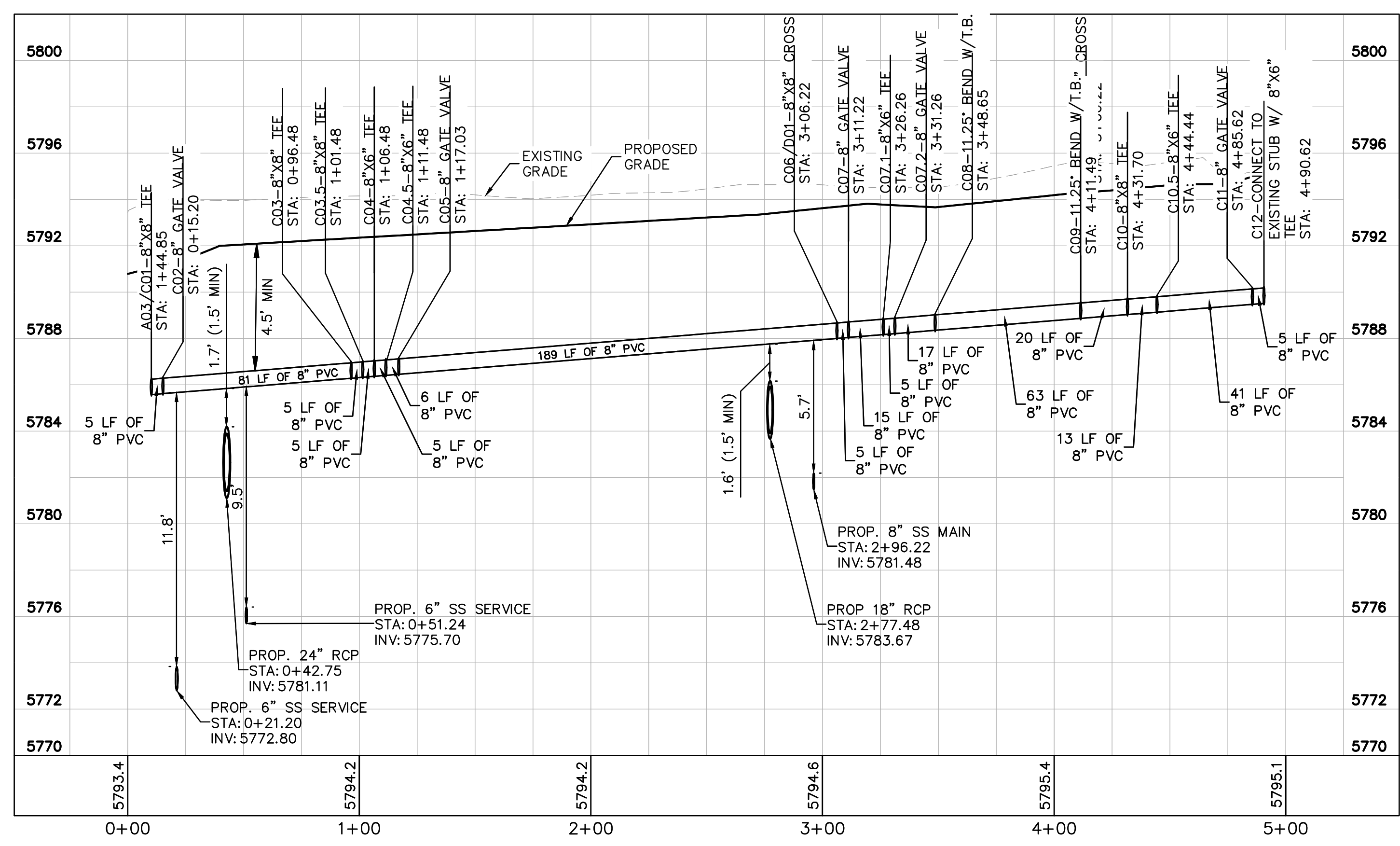
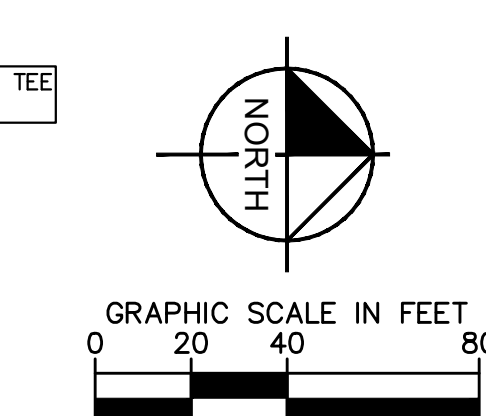
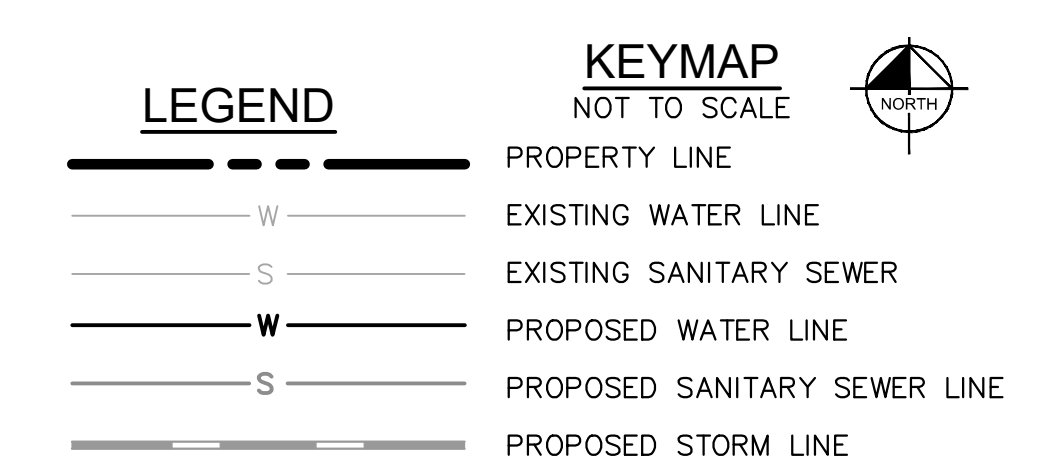
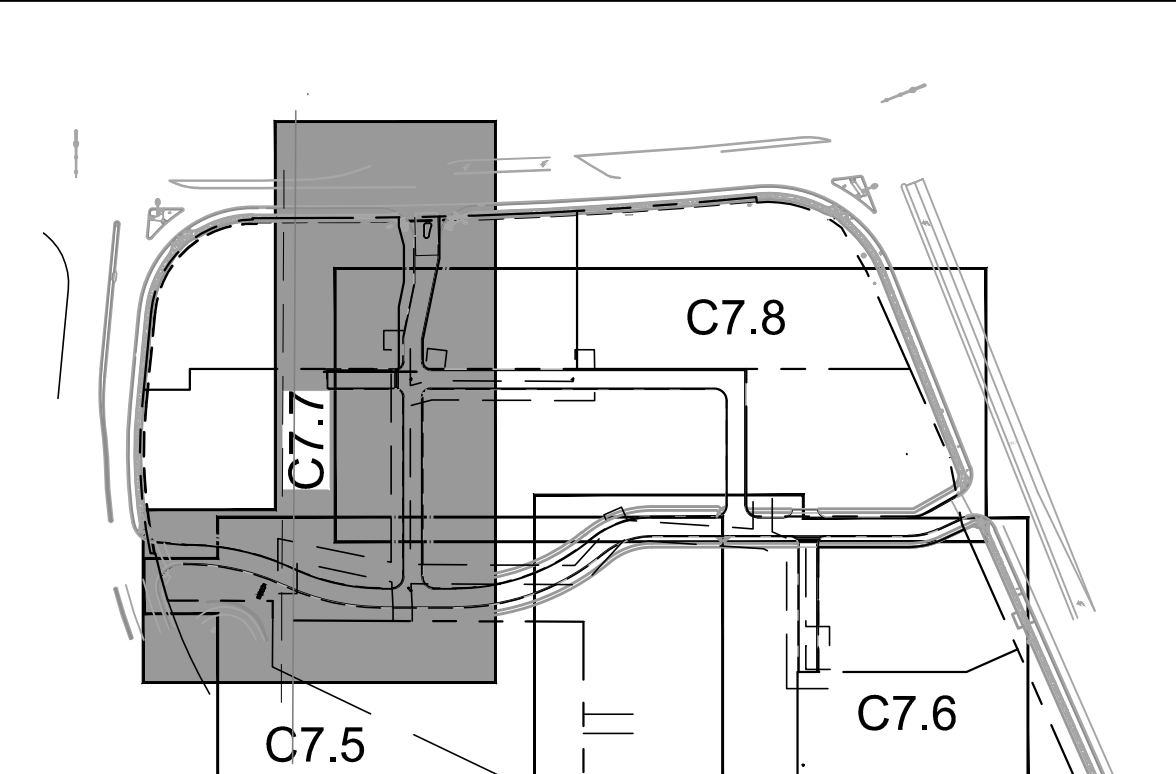
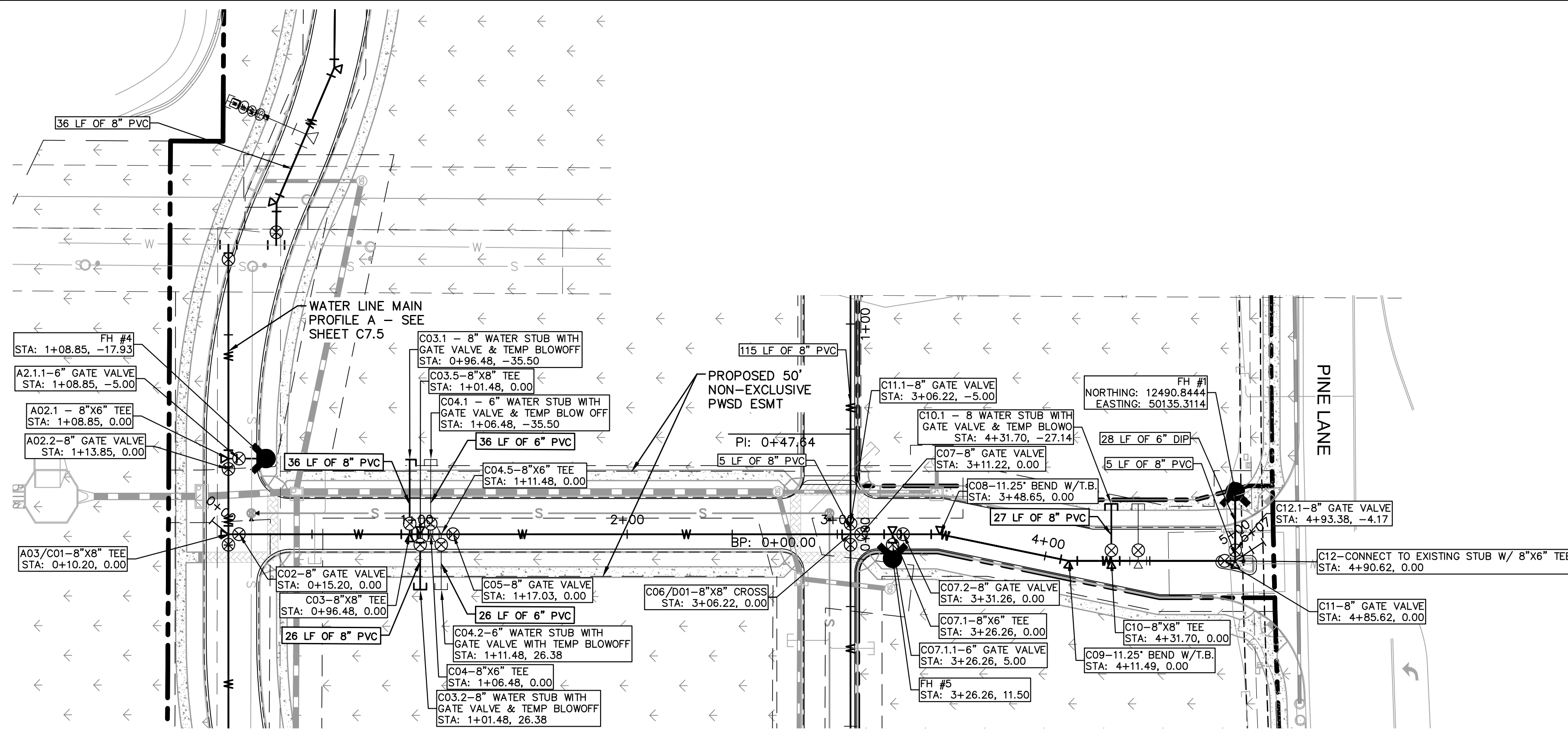
PARKER AND PINE FILING 1
 PARKER, CO
 CONSTRUCTION DOCUMENTS
WATER PLAN AND PROFILE - B



PROJECT NO.
 096502001
 DRAWING NAME
 096502001WT-PP
C7.6



K:\DEN_Civil\096502001 - Mid. Use. Parker, CO\CADD\PlanSheet\096502001WT_PP.dwg, K:\DEN_Civil\096502001 - Mid. Use. Parker, CO\CADD\PlanSheet\096502001WT_PP.dwg, 10/18/2016 10:57 AM, THIS DOCUMENT, TOGETHER WITH THE CONCEPTS AND DESIGN PRESENTED HEREIN, IS AN INSTRUMENT OF SERVICE AS PROVIDED FOR AND SHALL BE WITHOUT LIABILITY TO KIMLEY-HORN AND ASSOCIATES, INC.



WATER MAIN PROFILE C
STRUCTURE C01 TO C12

HORIZONTAL SCALE: 1"=4'
VERTICAL SCALE: 1"=4'

WATER NOTES

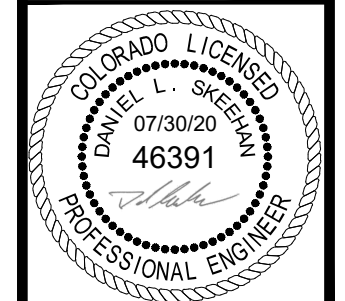
- CONTRACTOR TO POTHOLE EXISTING UTILITY LINES AT WATER LINE CROSSING AREAS PRIOR TO CONSTRUCTION.
- WATER LINE CONNECTION ELEVATION TO EXISTING WATER MAINS IS APPROXIMATE. CONTRACTOR TO POTHOLE AND VERIFY TIE IN ELEVATION PRIOR TO CONSTRUCTION OF WATER MAIN.
- CONTRACTOR TO MEET THE INSTALLATION REQUIREMENTS BY THE PARKER WATER AND SANITATION DISTRICT DESIGN STANDARDS AND CONSTRUCTION SPECIFICATIONS.
- 24 UNIT BUILDINGS (BUILDINGS 1-7) SHALL PROVIDE INTERNAL BACKFLOW PREVENTER AND EXTERNAL 2" DOMESTIC METER.
- 36 UNIT (BUILDING 8) SHALL PROVIDE INTERNAL BACK FLOW PREVENTERS AND 1-1/2" DOMESTIC METER.
- VERTICAL BENDS AND DEFLECTIONS MAYBE UTILIZED TO PROVIDE VERTICAL CHANGES IN ACCORDANCE WITH PWSD STANDARDS AS NEEDED.
- AT ALL POTABLE WATER MAIN AND SANITARY SEWER CROSSINGS WHERE THE PROPOSED SANITARY SEWER LINE LIES ABOVE THE PROPOSED WATER MAIN OR WITHIN 18" BELOW THE WATER MAIN, A CONCRETE ENCASEMENT IS TO BE PROVIDED ALONG THE SANITARY SEWER PIPE FOR 10 FT ON EITHER SIDE OF THE CROSSING. CONCRETE ENCASEMENT TO BE PROVIDED PER THE PWSD SECTION 9.3.2.
- AT ALL STORM SEWER AND SANITARY SEWER CROSSINGS WHERE THE PROPOSED SANITARY SEWER LINE LIES ABOVE THE PROPOSED STORM SEWER OR WITHIN 18" BELOW THE STORM SEWER, A CONCRETE ENCASEMENT IS TO BE PROVIDED ALONG THE SANITARY SEWER PIPE FOR 10 FT ON EITHER SIDE OF THE CROSSING. CONCRETE ENCASEMENT TO BE PROVIDED PER THE PWSD SECTION 9.3.2.
- ALL WATER LINES SHALL BE INSTALLED AT LEAST 4.5 FEET BELOW THE OFFICIAL STREET GRADE AND IN ALL OTHER PLACES AT LEAST 4.5 FEET BELOW THE SURFACE OF THE GROUND.

NO.	REVISION	BY	DATE	APPR

Kimley»Horn
2020 KIMLEY-HORN AND ASSOCIATES, INC.
4582 South Ulster Street, Suite 1500
Denver, Colorado 80237 (303) 228-2300

DESIGNED BY: DLS
DRAWN BY: JRK
CHECKED BY: DLS
DATE: 08/11/20

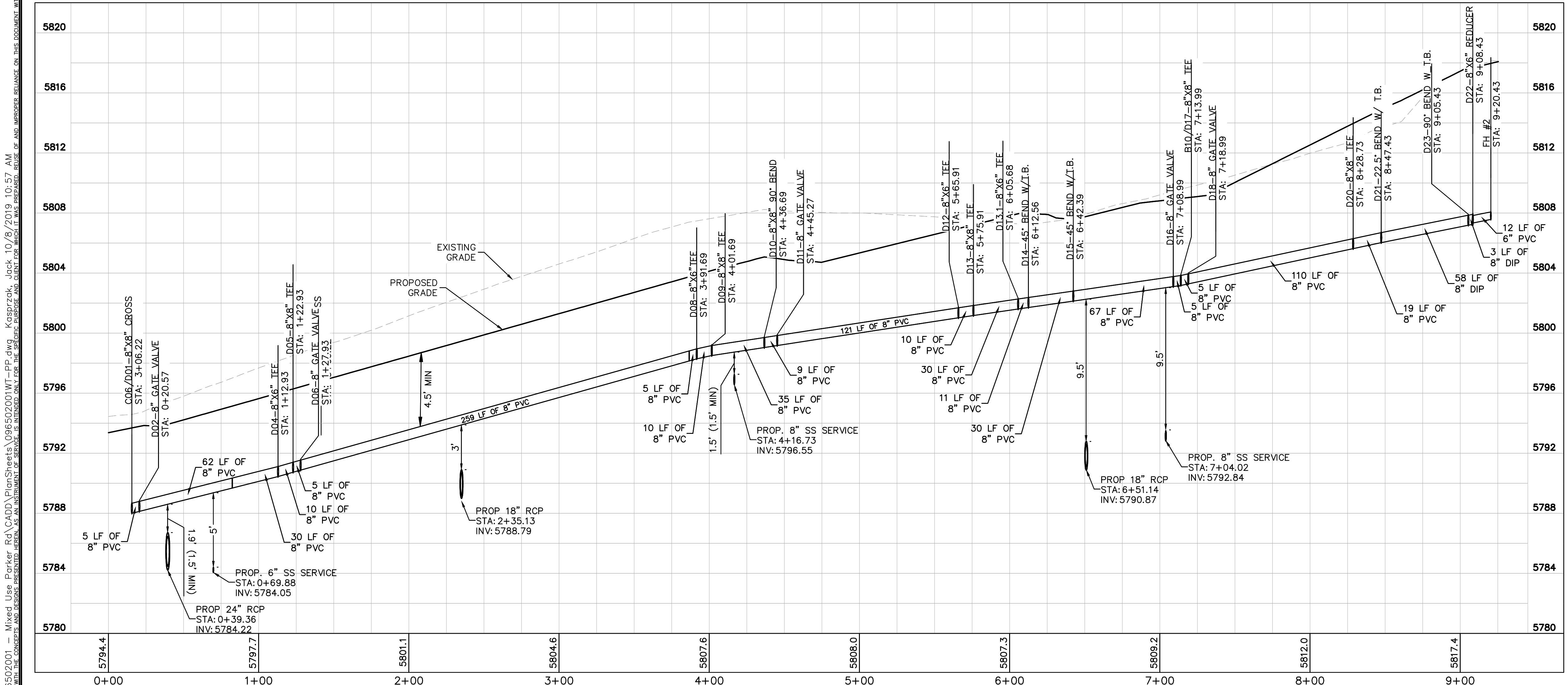
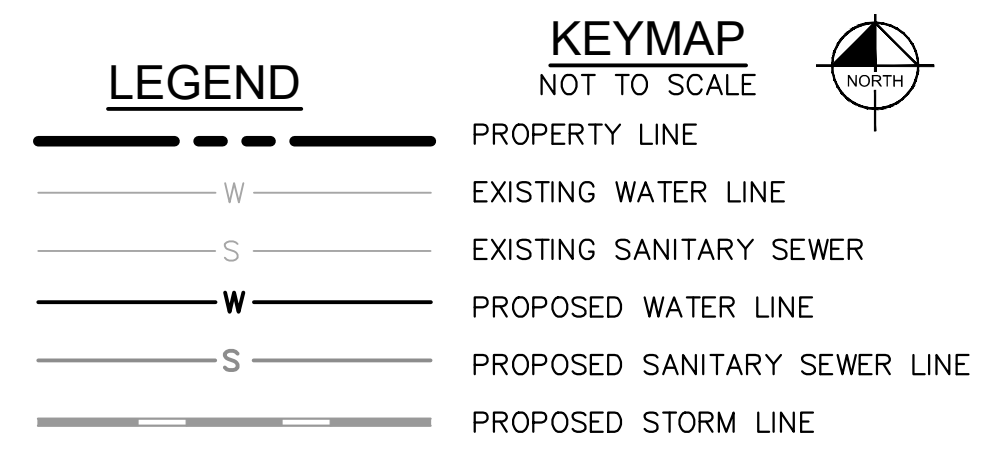
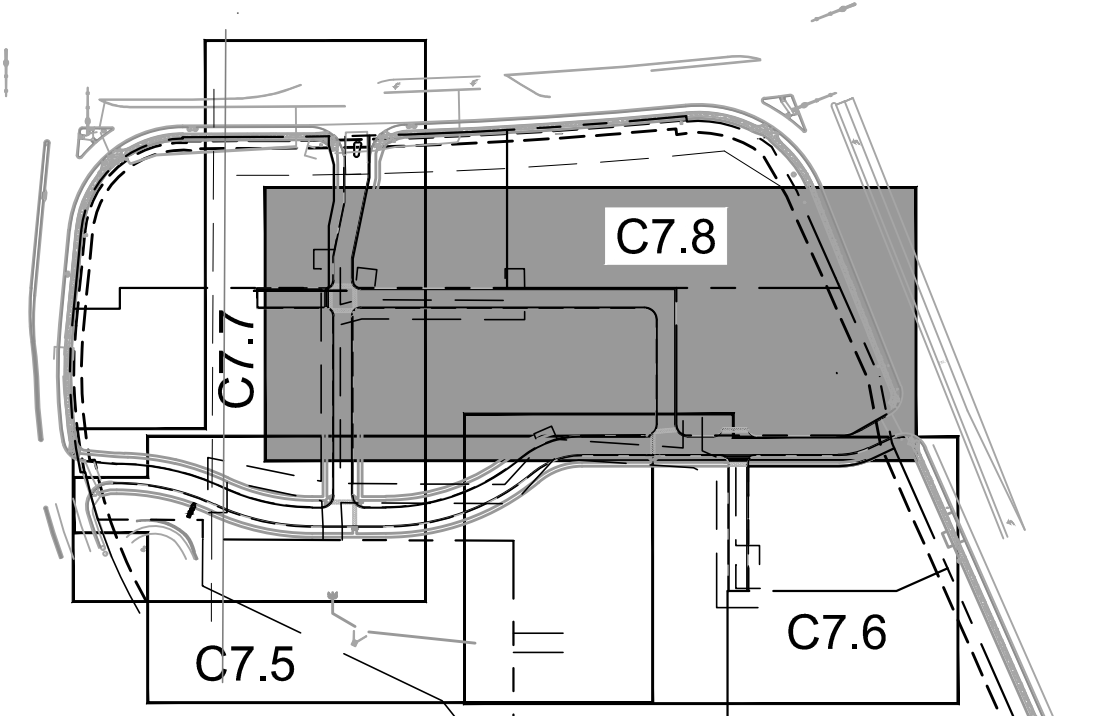
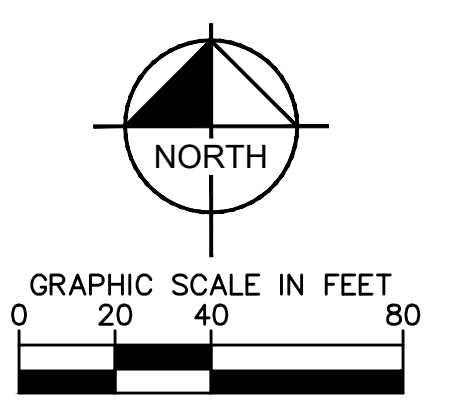
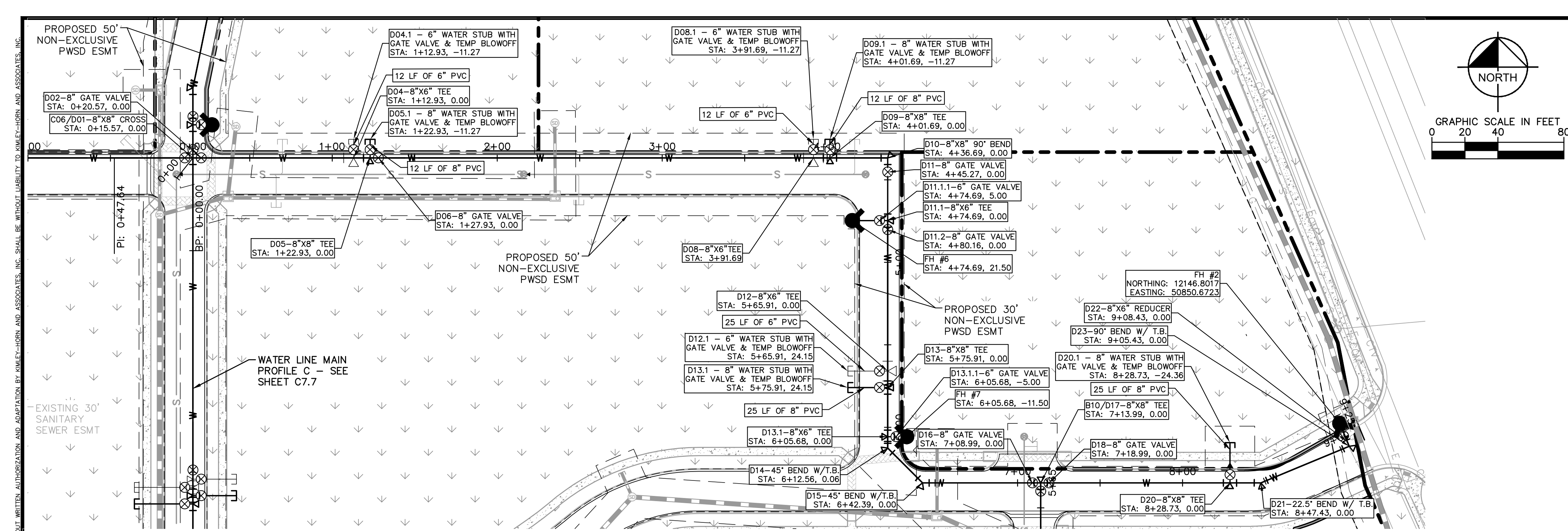
PARKER AND PINE FILING 1
PARKER, CO
CONSTRUCTION DOCUMENTS
WATER PLAN AND PROFILE - C



PROJECT NO.
096502001
DRAWING NAME
096502001WT-PP

C7.7





- ### WATER NOTES
- CONTRACTOR TO POTHOLE EXISTING UTILITY LINES AT WATER LINE CROSSING AREAS PRIOR TO CONSTRUCTION.
 - WATER LINE CONNECTION ELEVATION TO EXISTING WATER MAINS IS APPROXIMATE. CONTRACTOR TO POTHOLE AND VERIFY TIE IN ELEVATION PRIOR TO CONSTRUCTION OF WATER MAIN.
 - CONTRACTOR TO MEET THE INSTALLATION REQUIREMENTS BY THE PARKER WATER AND SANITATION DISTRICT DESIGN STANDARDS AND CONSTRUCTION SPECIFICATIONS.
 - 24 UNIT BUILDINGS (BUILDINGS 1-7) SHALL PROVIDE INTERNAL BACKFLOW PREVENTER AND EXTERNAL 2" DOMESTIC METER.
 - 36 UNIT (BUILDING 8) SHALL PROVIDE INTERNAL BACK FLOW PREVENTERS AND 1-1/2" DOMESTIC METER.
 - VERTICAL BENDS AND DEFLECTIONS MAYBE UTILIZED TO PROVIDE VERTICAL CHANGES IN ACCORDANCE WITH PWSD STANDARDS AS NEEDED.
 - AT ALL POTABLE WATER MAIN AND SANITARY SEWER CROSSINGS WHERE THE PROPOSED SANITARY SEWER LINE LIES ABOVE THE PROPOSED WATER MAIN OR WITHIN 18" BELOW THE WATER MAIN, A CONCRETE ENCASEMENT IS TO BE PROVIDED ALONG THE SANITARY SEWER PIPE FOR 10 FT ON EITHER SIDE OF THE CROSSING. CONCRETE ENCASEMENT TO BE PROVIDED PER THE PWSD SECTION 9.3.2.
 - AT ALL STORM SEWER AND SANITARY SEWER CROSSINGS WHERE THE PROPOSED SANITARY SEWER LINE LIES ABOVE THE PROPOSED STORM SEWER OR WITHIN 18" BELOW THE STORM SEWER, A CONCRETE ENCASEMENT IS TO BE PROVIDED ALONG THE SANITARY SEWER PIPE FOR 10 FT ON EITHER SIDE OF THE CROSSING. CONCRETE ENCASEMENT TO BE PROVIDED PER THE PWSD SECTION 9.3.2.
 - ALL WATER LINES SHALL BE INSTALLED AT LEAST 4.5 FEET BELOW THE OFFICIAL STREET GRADE AND IN ALL OTHER PLACES AT LEAST 4.5 FEET BELOW THE SURFACE OF THE GROUND.

WATER MAIN PROFILE D
 STRUCTURE D01 TO FH #2
 HORIZONTAL SCALE: 1"=40'
 VERTICAL SCALE: 1"=4'

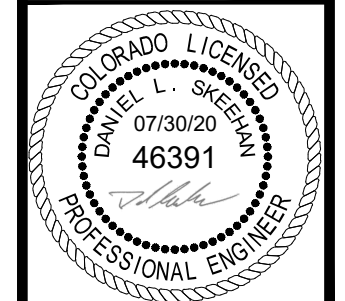
K:\DENV_CADD\096502001\096502001.dwg, 10/19/2010, 10:57 AM, K:\DENV_CADD\096502001\096502001.dwg, 10/19/2010, 10:57 AM, THIS DOCUMENT, TOGETHER WITH THE CONCEPTS AND DESIGNS PRESENTED HEREIN, IS AN INSTRUMENT OF SERVICE PROVIDED ONLY FOR THE PROJECT AND CLIENT FOR WHICH IT WAS PREPARED. NO OTHER REUSE OR REPRODUCTION OF THIS DOCUMENT WITHOUT WRITTEN AUTHORIZATION AND ADAPTATION BY KIMLEY-HORN AND ASSOCIATES, INC. SHALL BE WITHOUT LIABILITY TO KIMLEY-HORN AND ASSOCIATES, INC.

NO.	REVISION	BY	DATE

Kimley»Horn
 2020 KIMLEY-HORN AND ASSOCIATES, INC.
 4582 South Ulster Street, Suite 1500
 Denver, Colorado 80237 (303) 228-2300

DESIGNED BY: DLS
 DRAWN BY: JRK
 CHECKED BY: DLS
 DATE: 08/11/20

PARKER AND PINE FILING 1
 PARKER, CO
 CONSTRUCTION DOCUMENTS
WATER PLAN AND PROFILE - D



PROJECT NO.
096502001
 DRAWING NAME
096502001WT-PP
C7.8



INSPECTION POLICY:

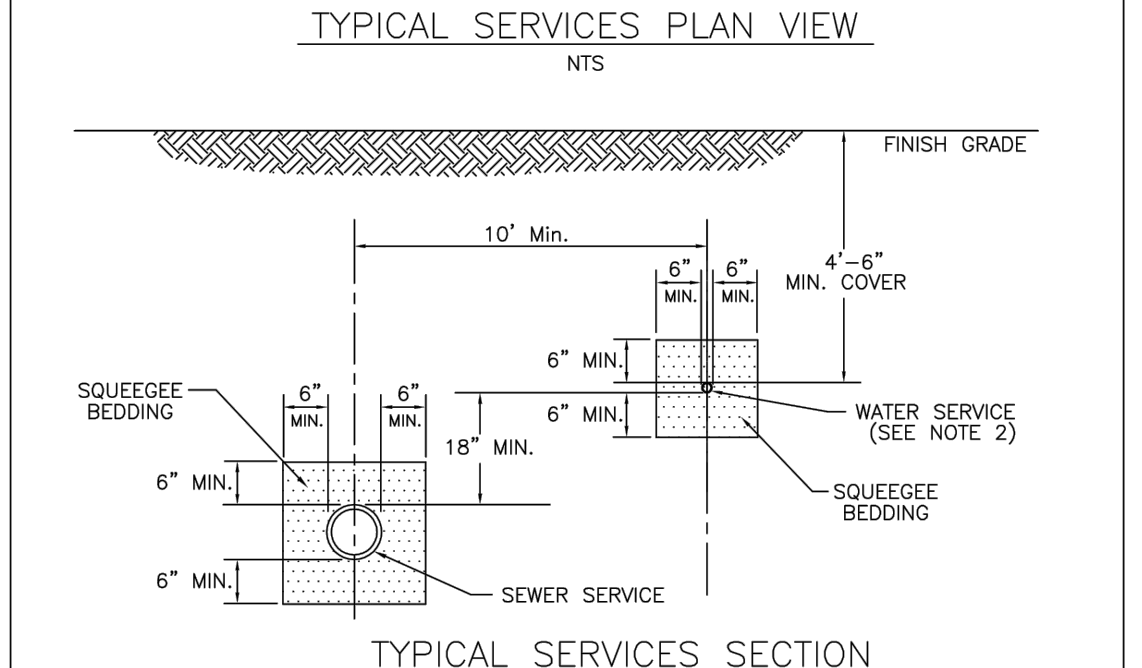
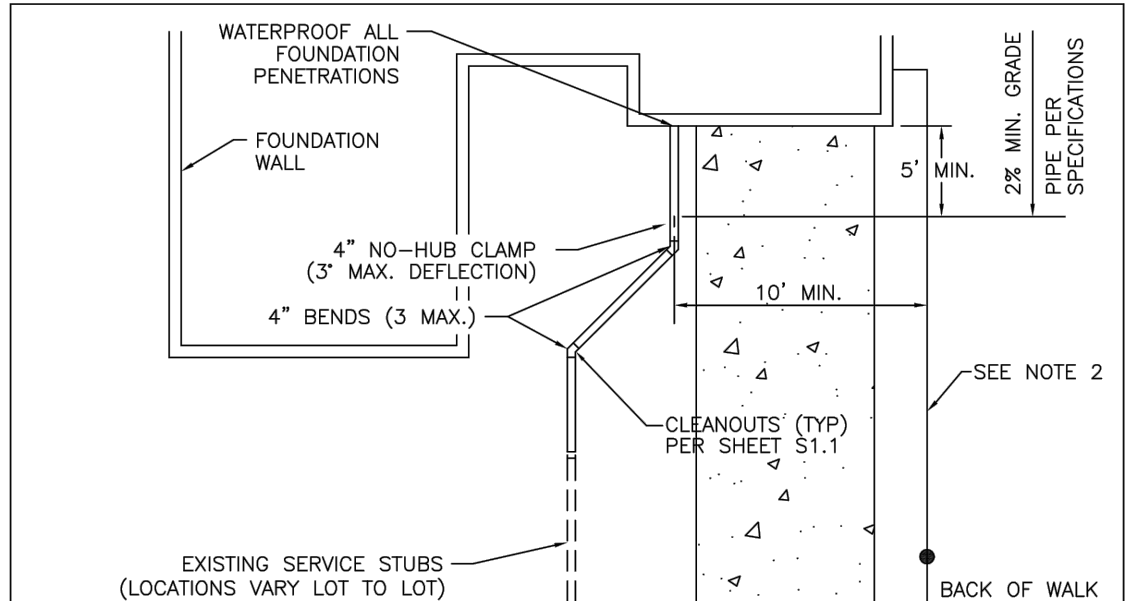
1. ALL SERVICE INSPECTIONS MUST BE SCHEDULED WITH THE DISTRICT OFFICE AT LEAST 24 HOURS IN ADVANCE OF THE REQUESTED INSPECTION.
2. IF THE CONTRACTOR IS NOT READY FOR INSPECTION WHEN THE INSPECTOR ARRIVES AT THE SITE, A RE-INSPECTION WILL HAVE TO BE SCHEDULED IN ACCORDANCE WITH NOTE 1 ABOVE AND A RE-INSPECTION FEE CHARGED.
3. SHOULD THE SERVICE LINES BE DAMAGED BY LATER CONSTRUCTION, AN INSPECTION OF THE REPAIR WILL BE REQUIRED IN ACCORDANCE WITH NOTES 1 AND 2 ABOVE.
4. THE CONTRACTOR SHALL LEAVE ALL PIPE AND FITTINGS EXPOSED FOR THE INSPECTOR TO OBSERVE. INSPECTORS WILL NOT ENTER ANY EXCAVATIONS TO CHECK MATERIALS. THE TOP LAYER OF BEDDING CAN BE ADDED AFTER THE INSPECTION HAS BEEN COMPLETED.
5. ALL EXCAVATIONS SHALL BE IN ACCORDANCE WITH OSHA STANDARDS.
6. LOTS WITHOUT BUILDING ADDRESSES OR LOT AND BLOCK NUMBERS BEFORE DISTRICT INSPECTION OR METER SET WILL FAIL AUTOMATICALLY.
7. CONTRACTOR MUST BE PRESENT AT TIME OF INSPECTION UNLESS COORDINATED WITH DISTRICT INSPECTOR.

INSTALLATION NOTES:

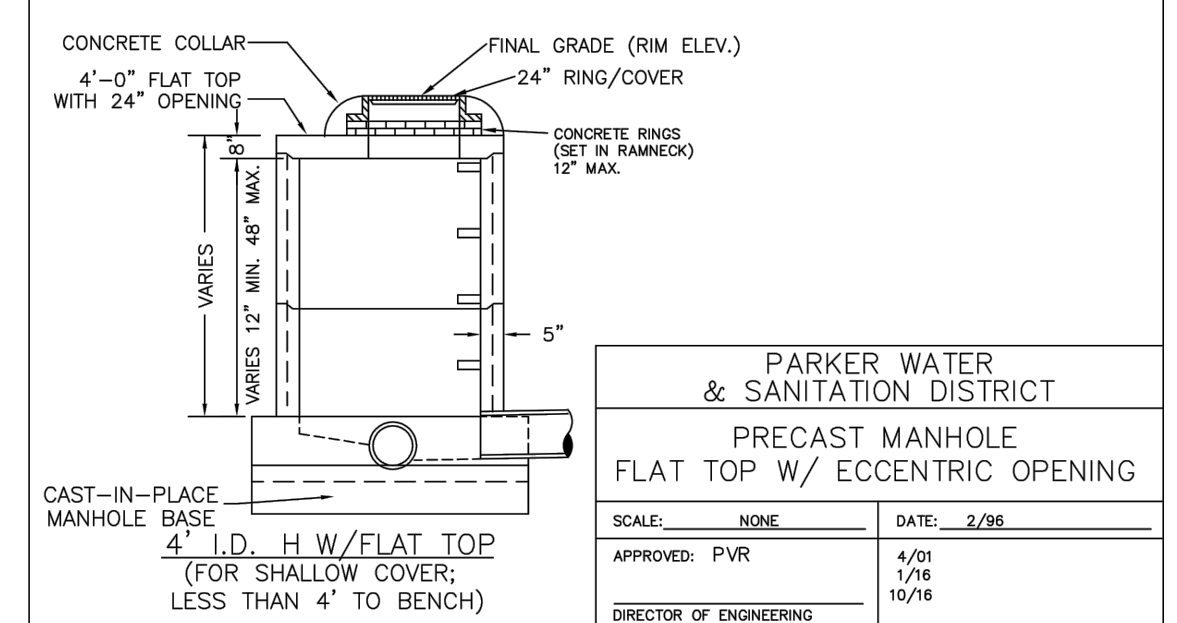
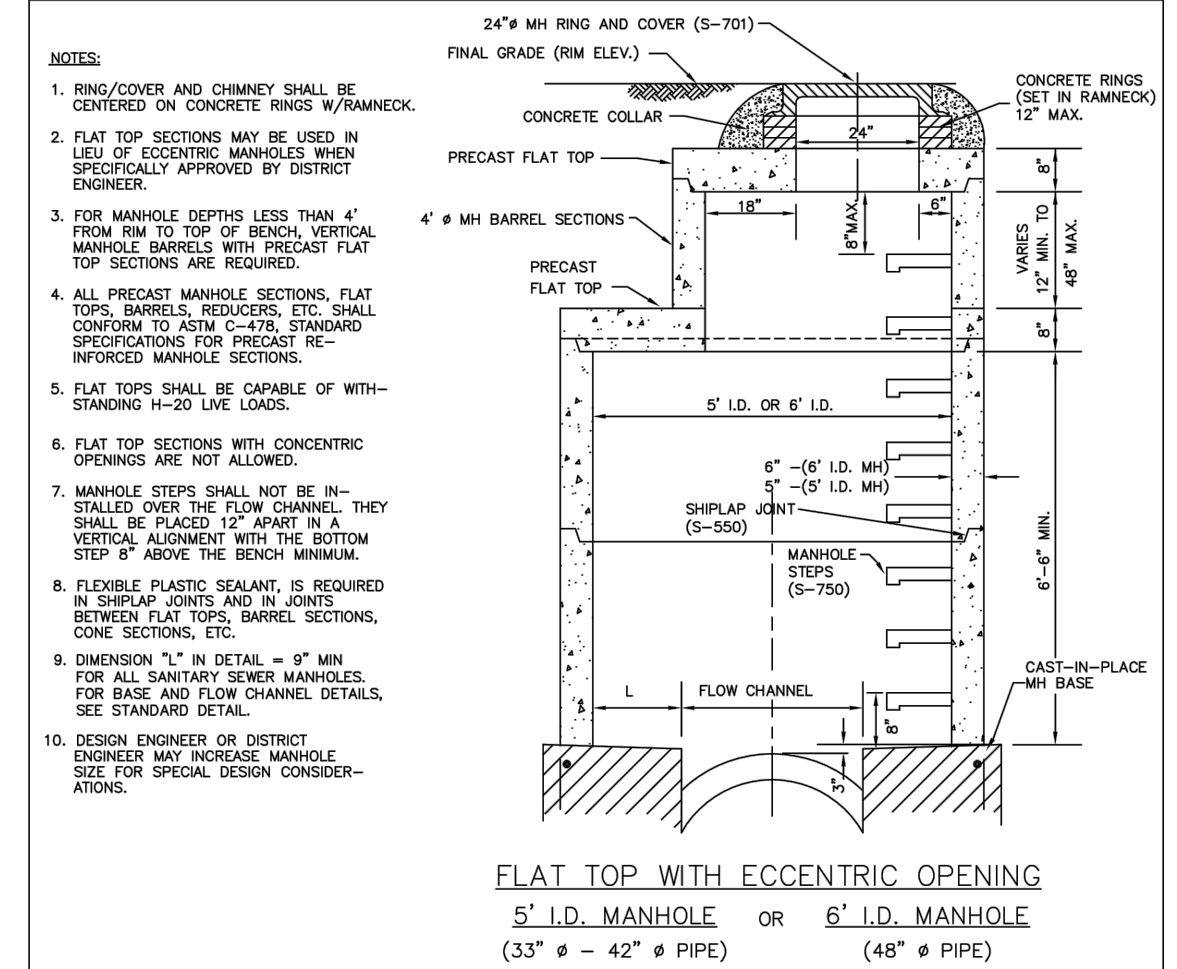
SEWER

1. ACCEPTABLE PIPE MATERIALS ARE TO BE SDR 35 PVC PIPE, ABS PIPE AND PVC SCHD 40 PIPE. APPROVED BEDDING IS TO BE SQUEEGEE.
2. NO-HUB CLAMPS SHALL BE USED TO JOIN 2 MALE PIPE ENDS WITH A MAXIMUM DEFLECTION OF 3'.
3. MINIMUM GRADE SHALL BE 2X.
4. INSTALLATION SHALL INCLUDE NO MORE THAN 3 BENDS. 90° BENDS ARE NOT ALLOWED. SOLVENT WELDED PIPE WILL NOT BE ALLOWED.
5. CLEAN-OUTS SHALL BE INSTALLED AT 100' INTERVALS AND EVERY CHANGE IN DIRECTION. CLEAN-OUTS ARE NOT REQUIRED FOR SERVICES LESS THAN 100' UNLESS THERE ARE CHANGES IN DIRECTION. PROVIDE DUAL CLEAN-OUT WITHIN 5 FEET OF FOUNDATION.
6. STRESSING OF THE PIPE BETWEEN FITTINGS WILL NOT BE ALLOWED.
7. SEWER SERVICE LINE SHALL NOT BE LOCATED UNDER CONCRETE SURFACE.
8. ALL SERVICES WILL BE PERMANENTLY MARKED ON CURB FACE AS FOLLOWS:
 "X" FOR SANITARY SEWER SERVICE
 "W" FOR WATER SERVICES

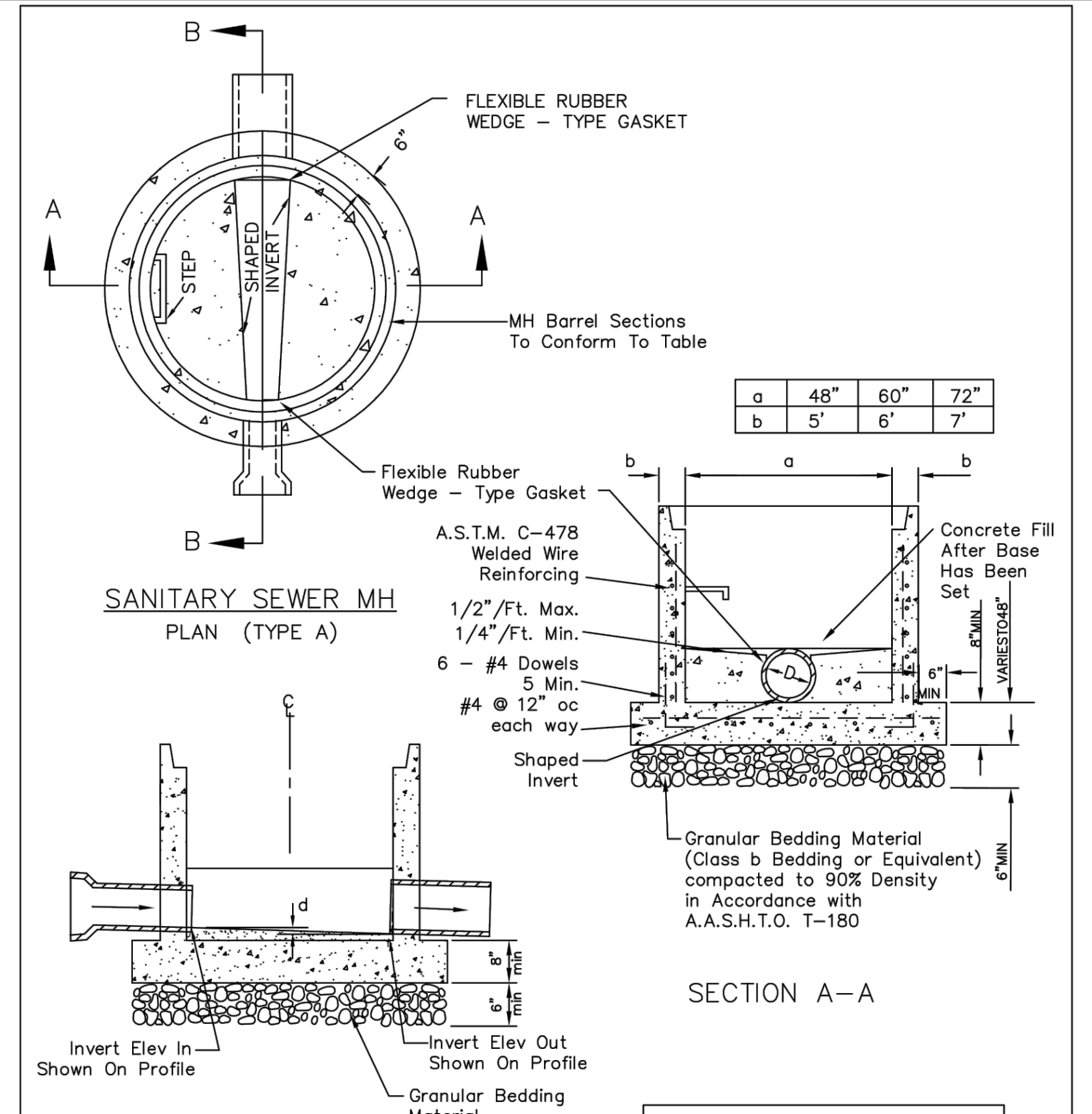
PARKER WATER & SANITATION DISTRICT	
DISTRICT POLICIES & INSTALLATION NOTES FOR SEWER SERVICES	
SCALE: NONE	DATE: 2/98
APPROVED: PVR	01/02 10/16
	1/08 1/16
DIRECTOR OF ENGINEERING	SHEET S1.1



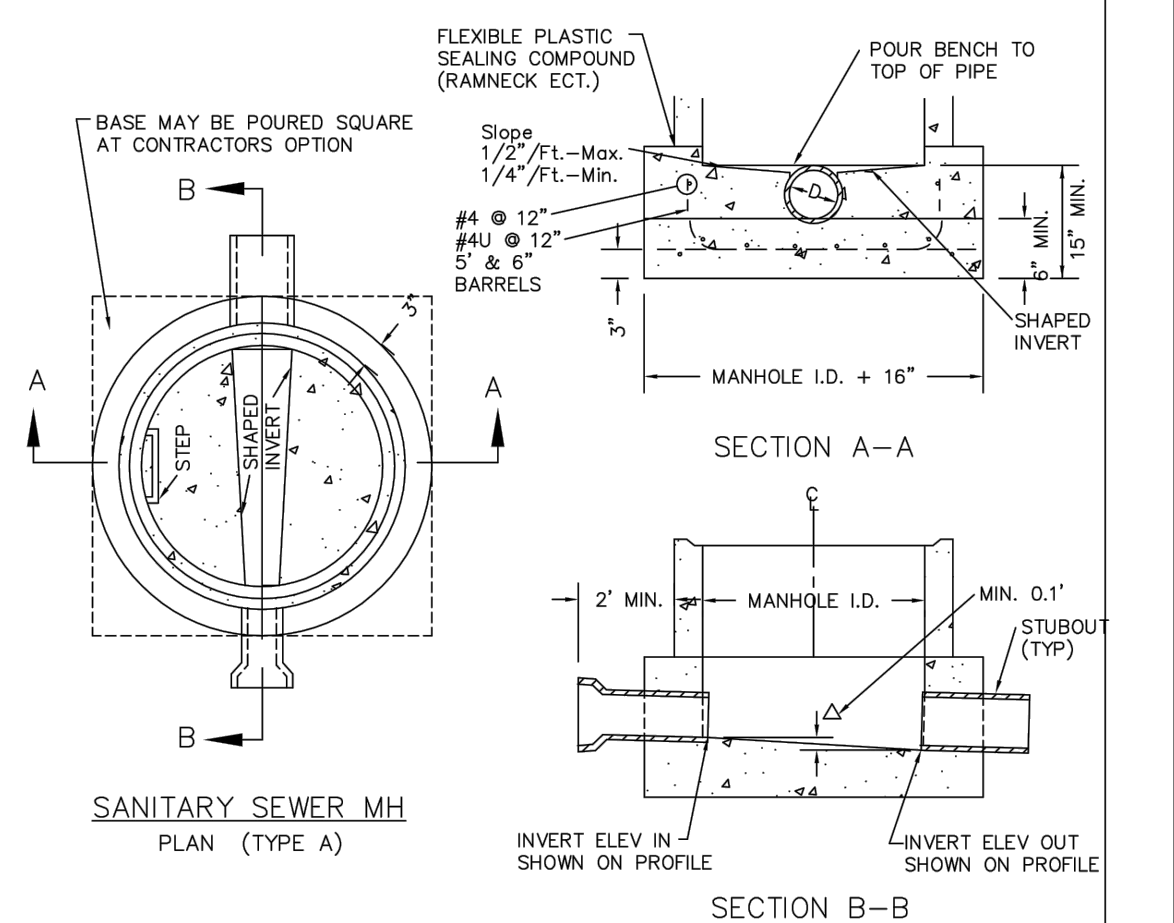
PARKER WATER & SANITATION DISTRICT	
TYPICAL SEWER SERVICES	
SCALE: NONE	DATE: 2/98
APPROVED: PVR	2/00 01/02 01/16 10/16
DIRECTOR OF ENGINEERING	SHEET S1.2



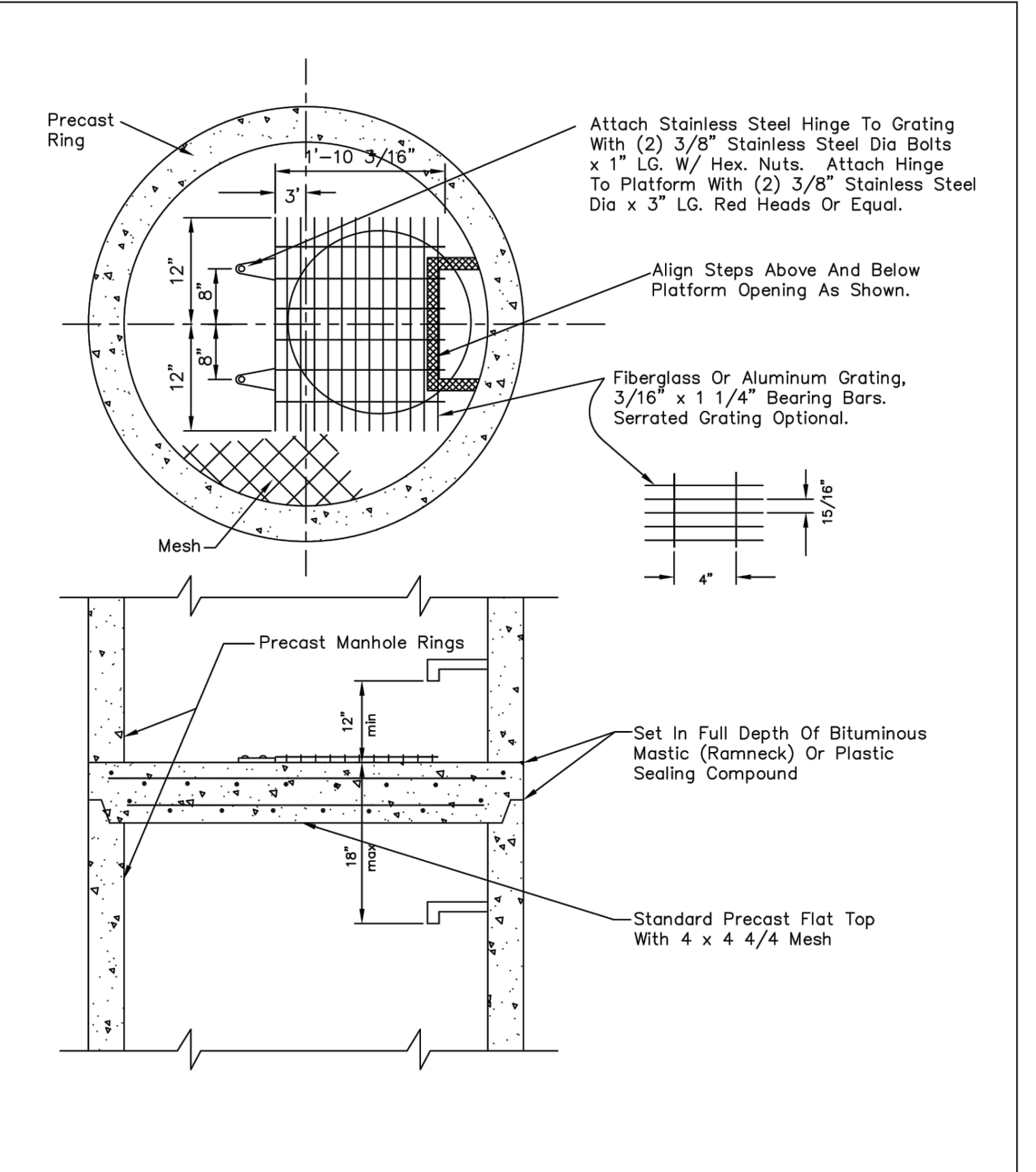
PARKER WATER & SANITATION DISTRICT	
PRECAST MANHOLE FLAT TOP W/ ECCENTRIC OPENING	
SCALE: NONE	DATE: 2/98
APPROVED: PVR	4/01 01/16 10/16
DIRECTOR OF ENGINEERING	SHEET S3.2



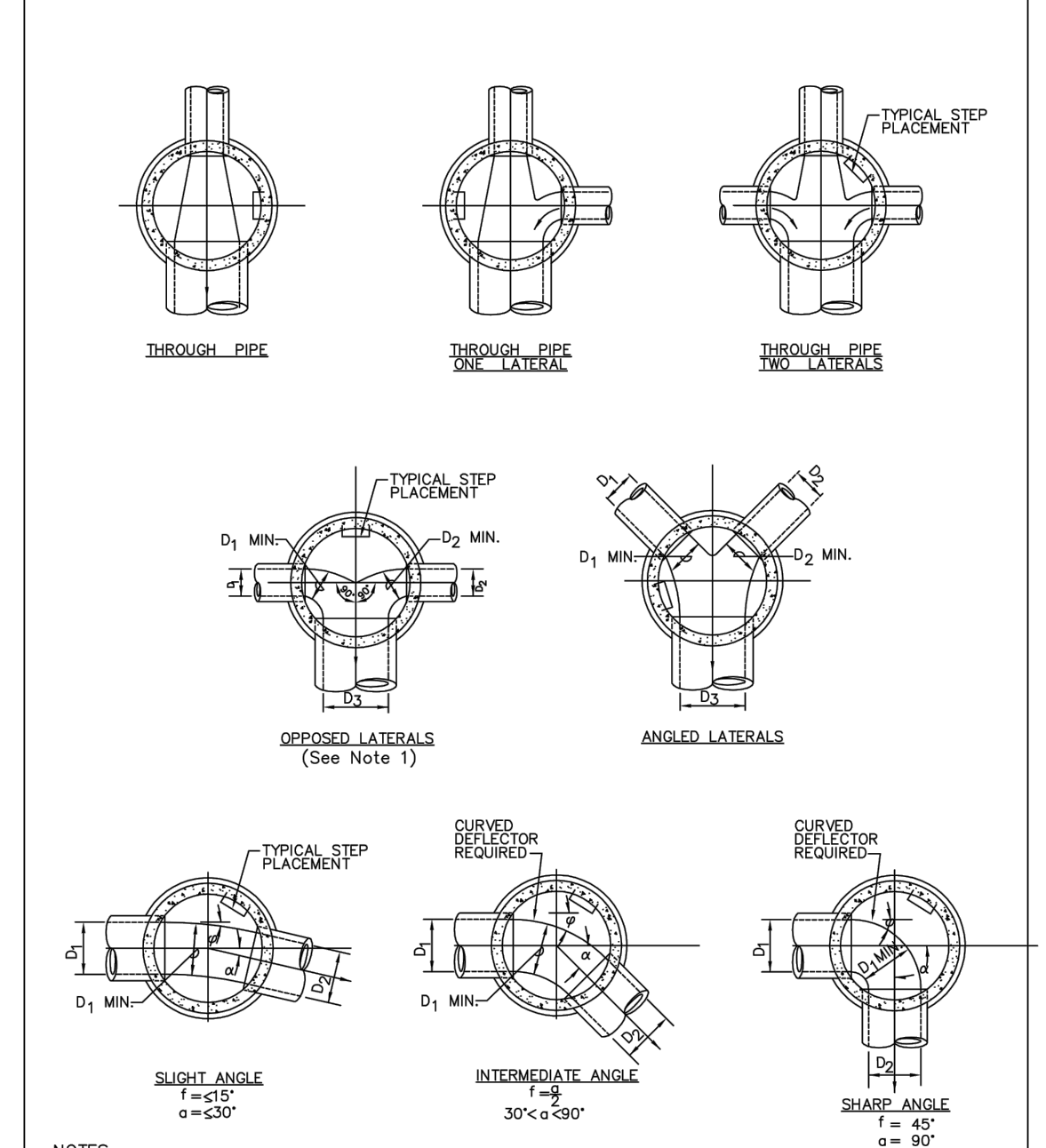
PARKER WATER & SANITATION DISTRICT	
PRECAST MANHOLE BASE DETAIL	
SCALE: NONE	DATE: 2/98
APPROVED: PVR	01/02 10/16
DIRECTOR OF ENGINEERING	SHEET S3.4



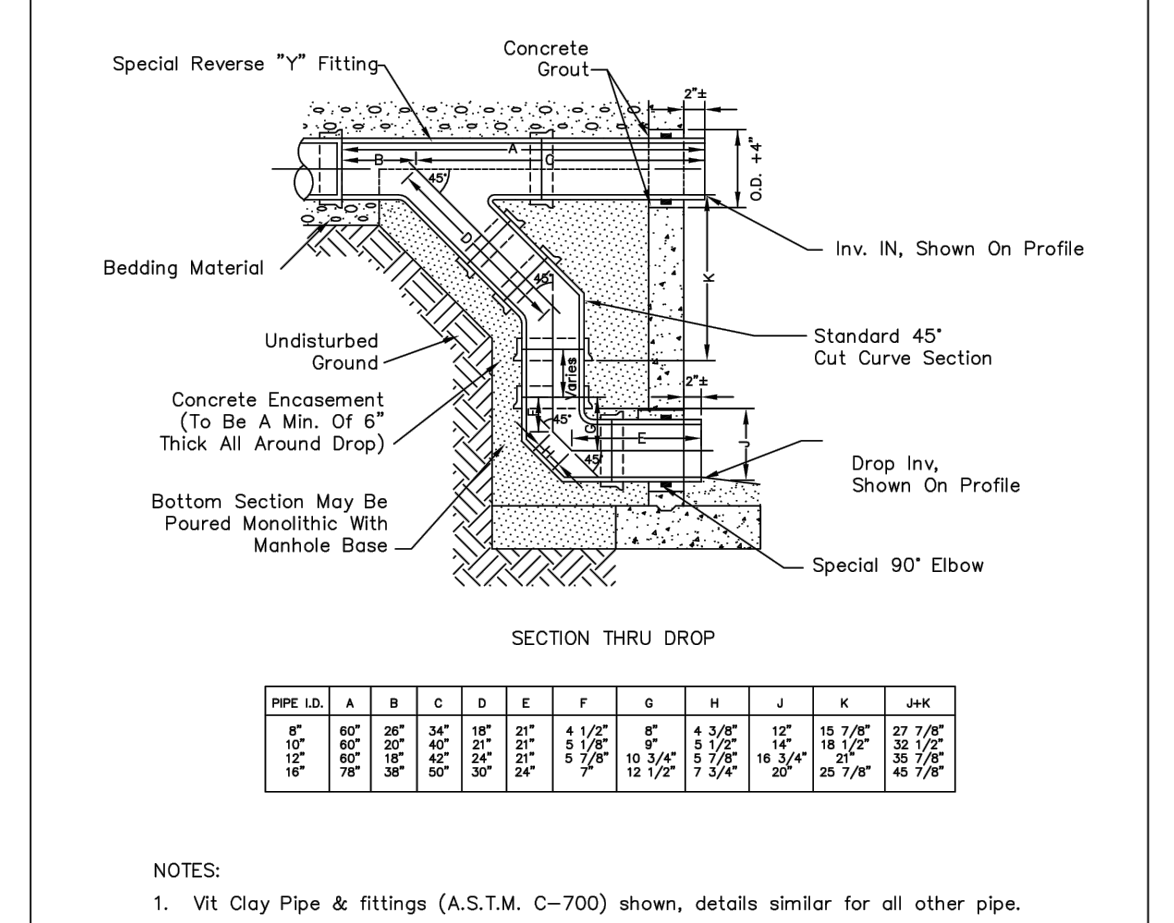
PARKER WATER & SANITATION DISTRICT	
CAST-IN-PLACE MANHOLE BASE DETAIL	
SCALE: NONE	DATE: 2/98
APPROVED: PVR	01/02 01/16 10/16
DIRECTOR OF ENGINEERING	SHEET S3.5



PARKER WATER & SANITATION DISTRICT	
INTERMEDIATE PLATFORM FOR MANHOLES OVER 20' DEPTH	
SCALE: NONE	DATE: 2/98
APPROVED: RWT	2/00 4/16 1/16 10/16
DIRECTOR OF ENGINEERING	SHEET S3.6



PARKER WATER & SANITATION DISTRICT	
TYPICAL BASE CHANNELIZATION DETAILS	
SCALE: NONE	DATE: 2/98
APPROVED: PVR	01/16 10/16
DIRECTOR OF ENGINEERING	SHEET S3.7



PARKER WATER & SANITATION DISTRICT	
OUTSIDE DROP MANHOLE CONSTRUCTION	
SCALE: NONE	DATE: 2/98
APPROVED: PVR	01/16 10/16
DIRECTOR OF ENGINEERING	SHEET S3.8

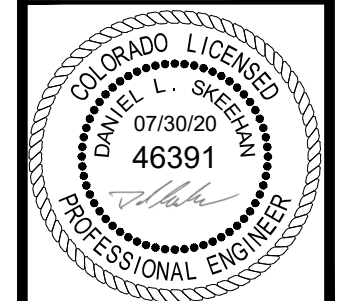
K:\DEN_CADD\096502001 - Mid. Use. Parker, SA\CADD\096502001.dwg - KOSBY.ZAK - Issd: 10/8/2019 10:57 AM. THIS DOCUMENT, INCLUDING ALL CONTENTS, IS THE PROPERTY OF KIMLEY-HORN AND ASSOCIATES, INC. IT IS TO BE USED ONLY FOR THE PROJECT AND SITE SPECIFICALLY IDENTIFIED ON THE TITLE SHEET. NO PART OF THIS DOCUMENT IS TO BE REPRODUCED OR TRANSMITTED IN ANY FORM OR BY ANY MEANS, ELECTRONIC OR MECHANICAL, INCLUDING PHOTOCOPYING, RECORDING, OR BY ANY INFORMATION STORAGE AND RETRIEVAL SYSTEM, WITHOUT THE WRITTEN PERMISSION OF KIMLEY-HORN AND ASSOCIATES, INC.

NO.	REVISION	BY	DATE

Kimley»Horn
 2020 KIMLEY-HORN AND ASSOCIATES, INC.
 4582 South Ulster Street, Suite 1500,
 Denver, Colorado 80237 (303) 228-2300

DESIGNED BY: DLS
 DRAWN BY: JRK
 CHECKED BY: DLS
 DATE: 08/11/20

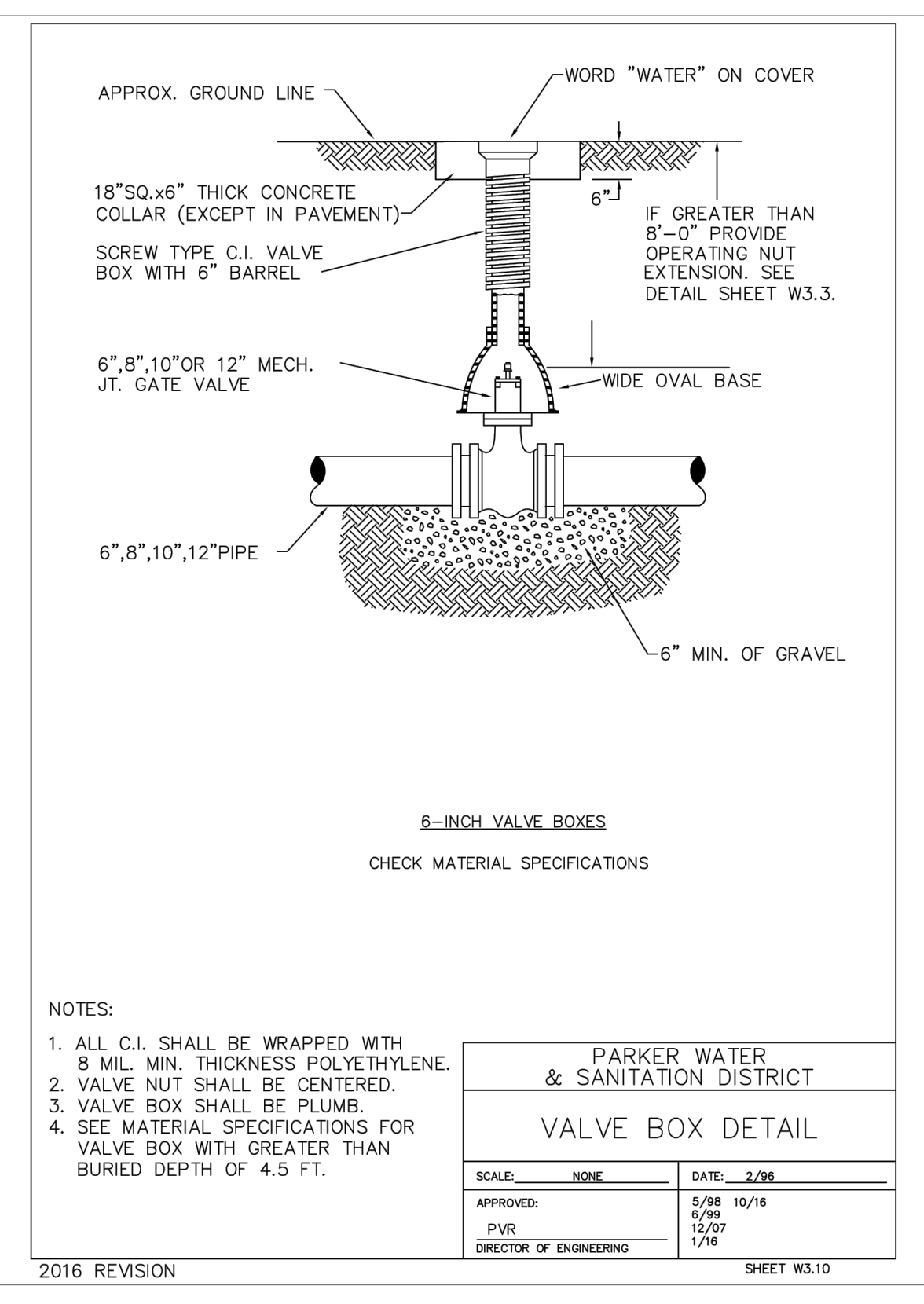
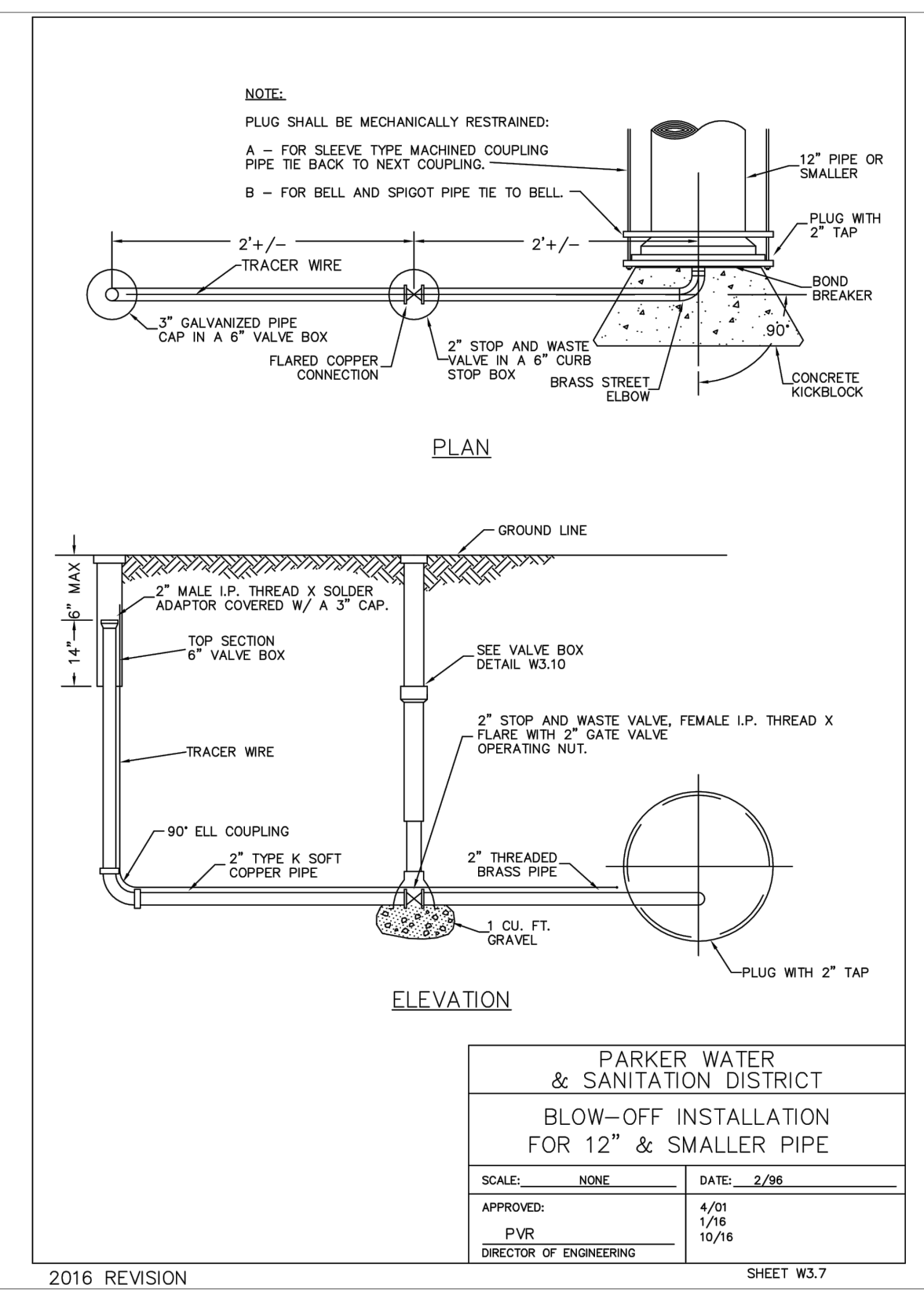
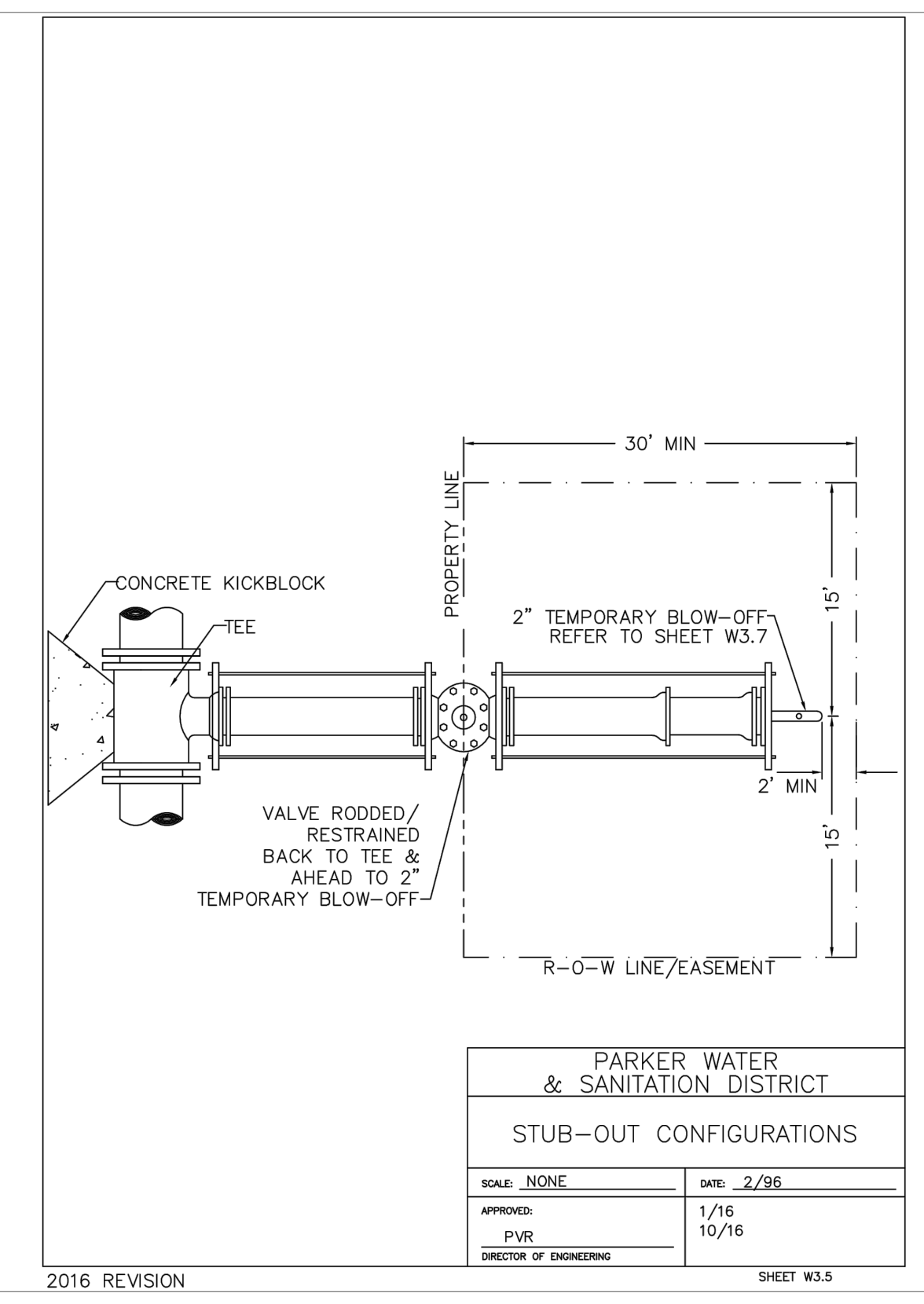
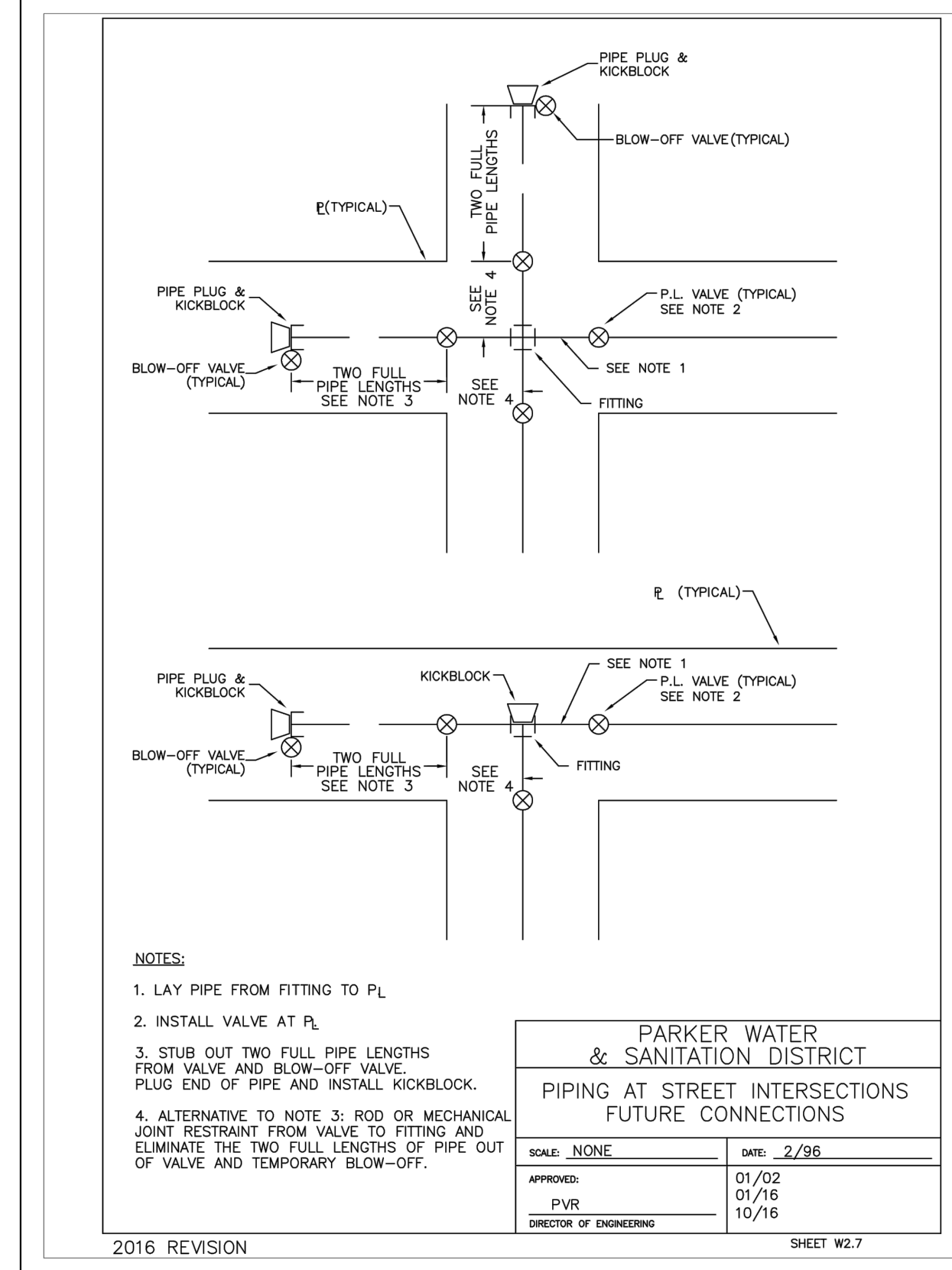
PARKER AND PINE FILING 1
 PARKER, CO
 CONSTRUCTION DOCUMENTS
 UTILITY DETAILS



PROJECT NO.
 096502001
 DRAWING NAME
 096502001UT-DT

C7.9

K:\DEN_CADD\096502001 - Mid. Use, Parker, SA\CADD\096502001-UT.dwg, KOSBY.ZWK, 10/18/2019, 10:57 AM
 THIS DOCUMENT, TOGETHER WITH THE CONCEPTS AND DESIGNS PRESENTED HEREIN, IS AN INSTRUMENT OF SERVICE PROVIDED ONLY FOR THE PROJECT AND CLIENT FOR WHICH IT WAS PREPARED. REVIEW OF AND IMPROPER RELIANCE ON THIS DOCUMENT WITHOUT WRITTEN AUTHORIZATION AND ADAPTATION BY KIMLEY-HORN AND ASSOCIATES, INC. SHALL BE WITHOUT LIABILITY TO KIMLEY-HORN AND ASSOCIATES, INC.



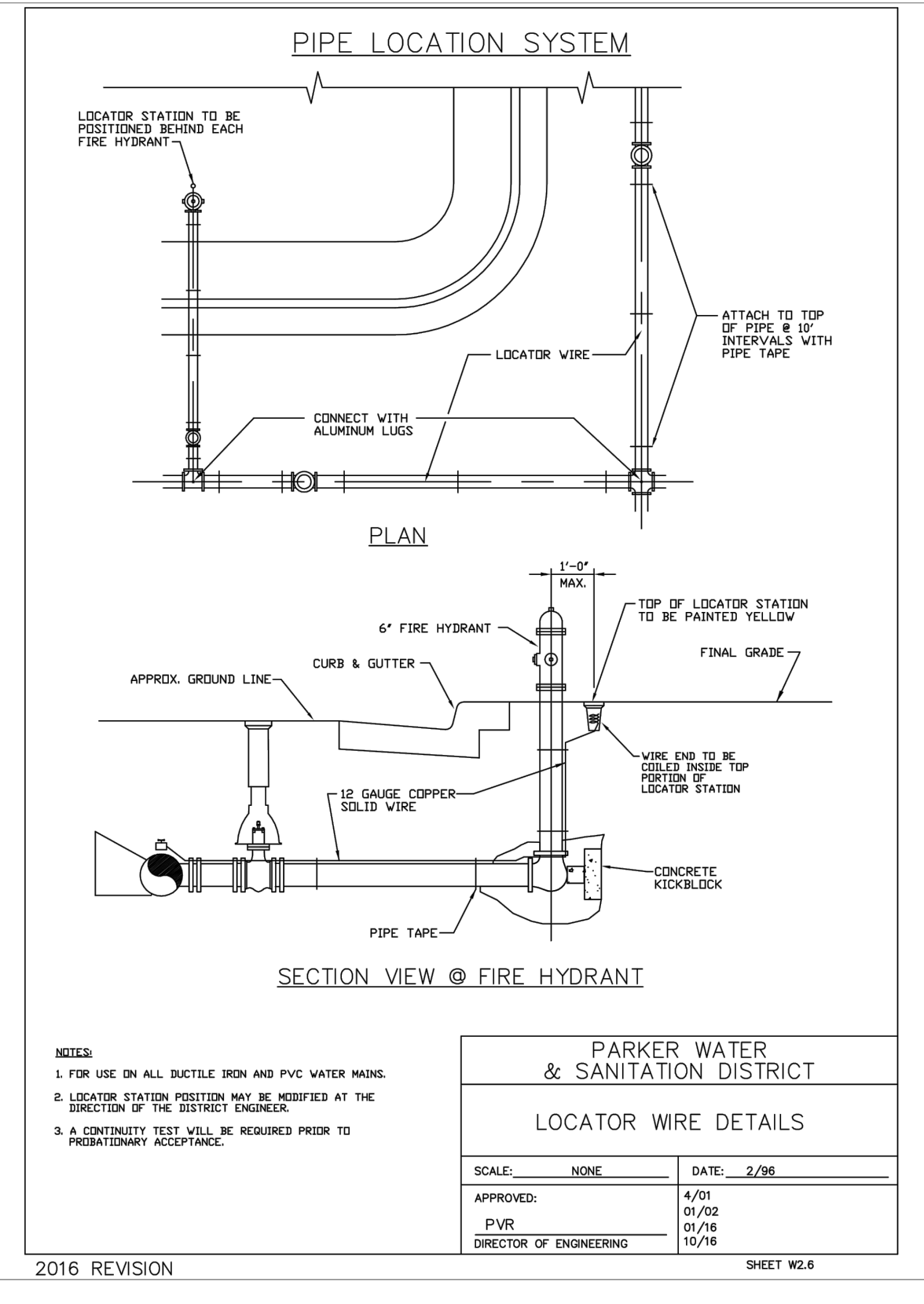
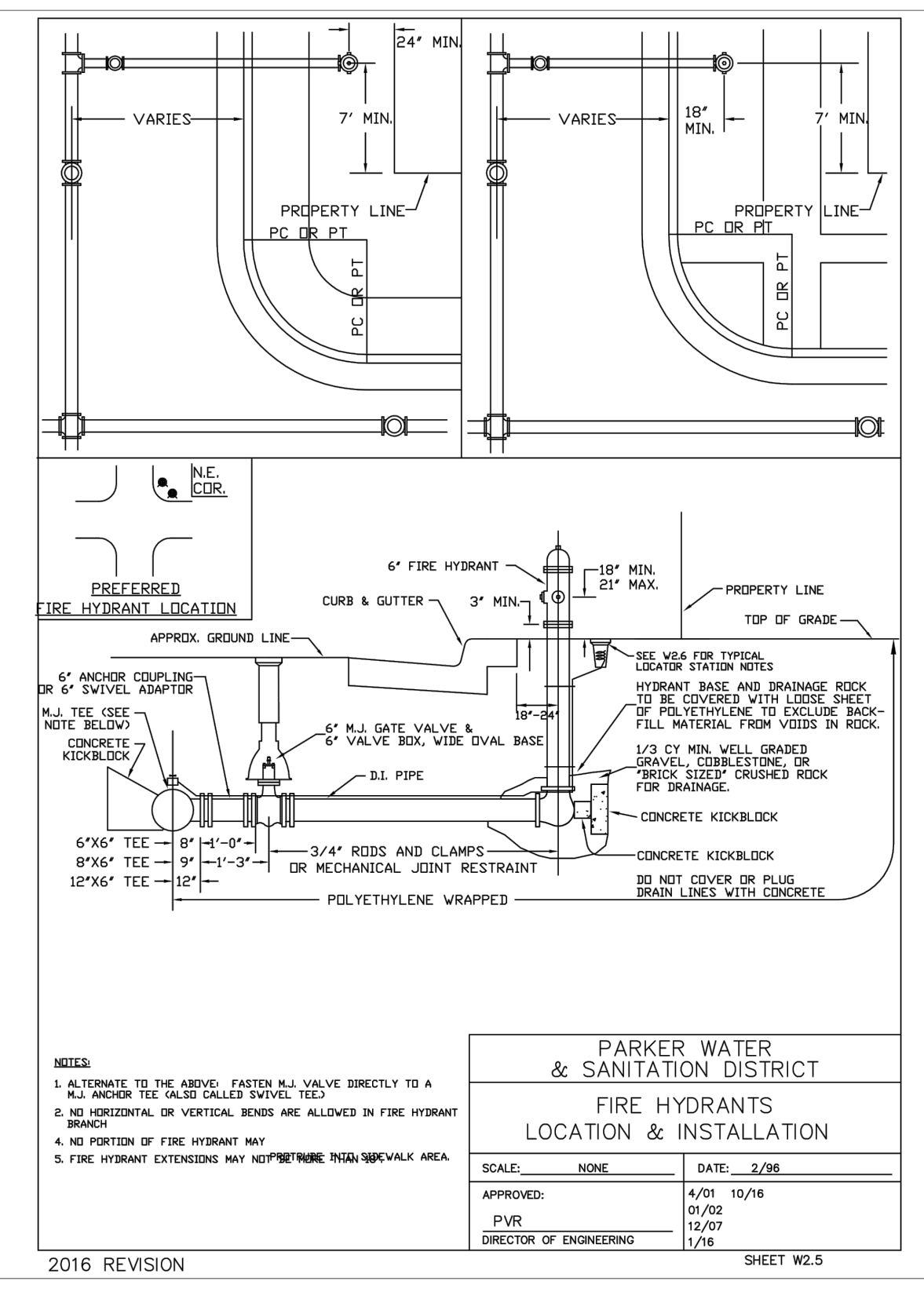
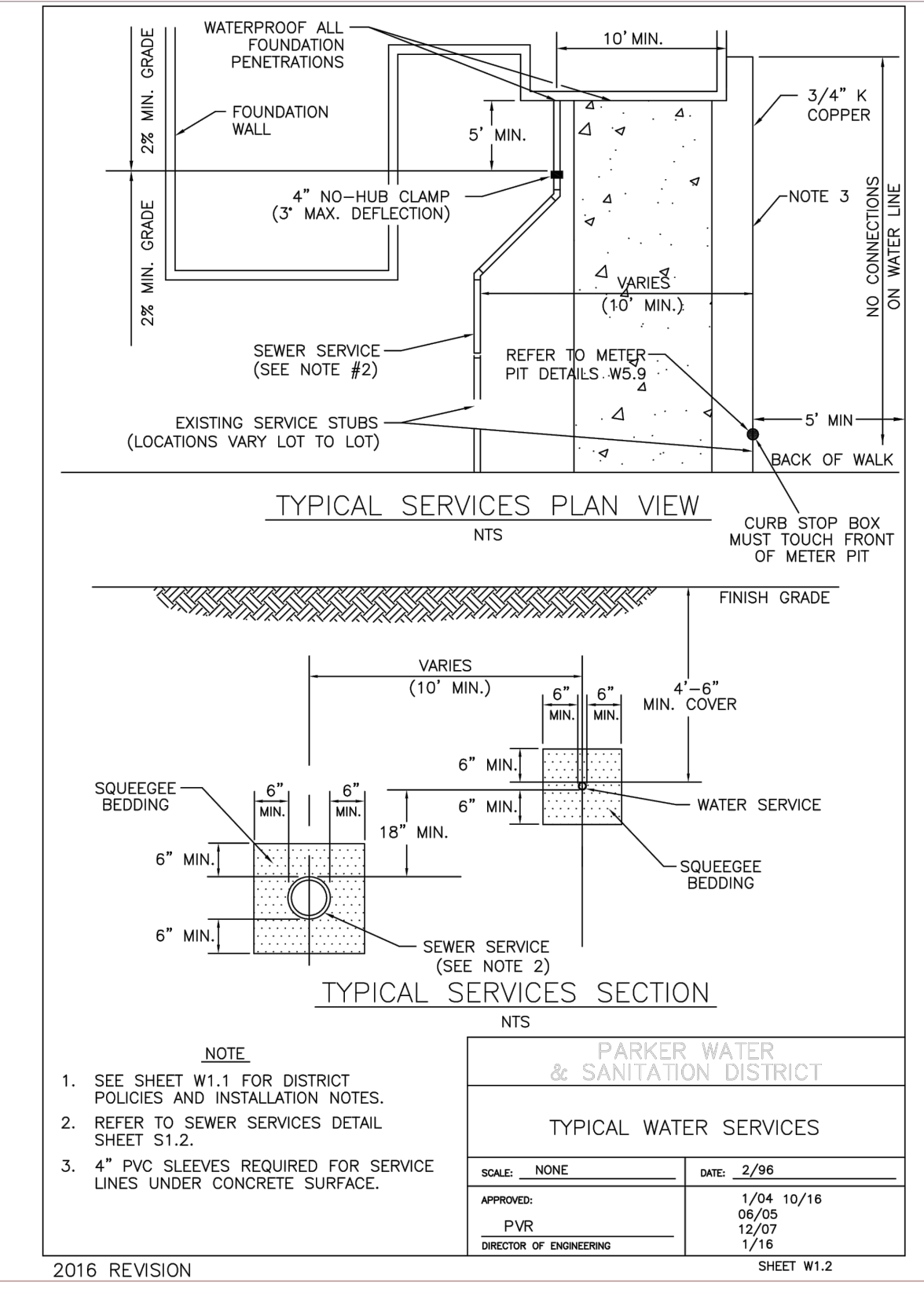
INSPECTION POLICY:
 1. ALL SERVICE INSPECTIONS MUST BE SCHEDULED AT LEAST 24 HOURS IN ADVANCE OF THE REQUESTED INSPECTION.
 2. SERVICE INSPECTIONS WILL OCCUR BETWEEN 1:00 P.M. AND 3:00 P.M. SPECIFIC INSPECTION TIMES ARE NOT AVAILABLE.
 3. IF THE CONTRACTOR IS NOT READY FOR INSPECTION WHEN THE INSPECTOR ARRIVES AT THE SITE OR SERVICE FAILS, A RE-INSPECTION WILL HAVE TO BE SCHEDULED IN ACCORDANCE WITH NOTES 1 AND 2 ABOVE AND A RE-INSPECTION FEE CHARGED.
 4. SHOULD THE SERVICE LINES BE DAMAGED BY LATER CONSTRUCTION, AN INSPECTION OF THE REPAIR WILL BE REQUIRED IN ACCORDANCE WITH NOTES 1 AND 2 ABOVE.
 5. THE CONTRACTOR SHALL LEAVE ALL PIPE AND FITTINGS EXPOSED FOR THE INSPECTOR TO OBSERVE. INSPECTORS WILL NOT ENTER ANY EXCAVATIONS TO CHECK MATERIALS. THE TOP LAYER OF BEDDING CAN BE ADDED AFTER THE INSPECTION HAS BEEN COMPLETED.
 6. ALL EXCAVATIONS SHALL BE IN ACCORDANCE WITH OSHA STANDARDS.
 7. LOTS WITHOUT BUILDING ADDRESSES BEFORE DISTRICT INSPECTION OR METER SET WILL FAIL AUTOMATICALLY.
 8. CONTRACTOR MUST BE PRESENT AT TIME OF INSPECTION, UNLESS COORDINATED WITH DISTRICT INSPECTOR.

INSTALLATION NOTES:
WATER
 1. ACCEPTABLE PIPE MATERIALS SHALL BE K-COPPER TUBING, (3/4" MIN.)
 2. APPROVED BEDDING TO BE SQUEEGEE.
 3. ONLY ONE COUPLING WILL BE ALLOWED BETWEEN THE STUB-IN AND BUILDING. COMPRESSION COUPLINGS WILL NOT BE ALLOWED ON NEW CONSTRUCTION. SILVER SOLDERED JOINTS MUST BE USED ON SERVICES LARGER THAN 3/4". SILVER SOLDERED JOINTS MUST BE INSPECTED BY PWSO PRIOR TO BURIAL. FLARED COUPLINGS WILL BE ALLOWED ON ALL SERVICES 3/4" AND SMALLER.
 4. A WATER SERVICE WHICH CROSSES A SEWER SERVICE CAN DO SO ONLY AT A 45-90° ANGLE. WATER SERVICES SHALL BE LOCATED A MINIMUM OF 18" ABOVE SEWER SERVICE.
 5. WATER SERVICE FOUNDATION PENETRATIONS SHALL BE WATERPROOFED USING MASTIC OR OTHER APPROVED METHOD, CRAWL SPACE REQUIRES CONTINUOUS COPPER WITH A 1" BURY.
 6. CURB STOP MUST BE PLUMB AND CENTERED OVER THE NUT. IT SHOULD BE STRAPPED TO THE METER PIT (RESIDENTIAL INSTALLATIONS) OR CENTERED OVER THE EASEMENT LINE (COMMERCIAL INSTALLATIONS). THE ASSEMBLY MUST BE AT OR SLIGHTLY ABOVE FINISHED GRADE.
 7. MOVED CURB BOXES MUST BE INSPECTED BY PWSO PRIOR TO BURIAL.
 8. WATERLINE MUST BE ATTACHED TO A SUPPORT BOARD THAT IS MOUNTED TO THE WALL.
 9. NO VOIDS ALLOWED UNDER WATERLINES FROM STOP BOX TO FOUNDATION.
 10. CURBSTOP BOXES AND METER PITS CANNOT BE IN DRIVEWAYS.
 11. ONLY 3/4" (JUMPER) PIPES (RESIDENCES) ARE ALLOWED. (JUMPER) PIPES WILL BE REMOVED PRIOR TO METER SET DATE.
 12. ALL SERVICES WILL BE PERMANENTLY MARKED ON CURB FACE AS FOLLOWS:
 "X" FOR SANITARY SEWER SERVICE
 "W" FOR WATER SERVICES
 13. NO SPLICES OR FLARED COUPLINGS ALLOWED ON SERVICES LARGER THAN 3/4". SILVER SOLDERED JOINTS MUST BE USED IN MOVING STOPBOXES ON SERVICES LARGER THAN 3/4". SILVER SOLDERED JOINTS MUST BE INSPECTED BY PWSO PRIOR TO BURIAL. FLARED COUPLINGS WILL BE ALLOWED ON ALL SERVICES 3/4" AND SMALLER.

**PARKER WATER & SANITATION DISTRICT
 DISTRICT POLICIES & INSTALLATION
 NOTES FOR WATER SERVICES**

SCALE: NONE DATE: 2/96
 APPROVED: 1/04 DATE: 1/16
 PVR 12/07
 DIRECTOR OF ENGINEERING 10/16

2016 REVISION SHEET W1.1

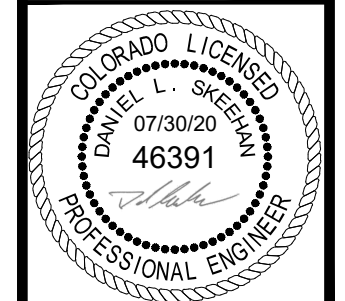


NO.	REVISION	BY	DATE

Kimley»Horn
 2020 KIMLEY-HORN AND ASSOCIATES, INC.
 4582 South Ulster Street, Suite 1500,
 Denver, Colorado 80237 (303) 228-2300

DESIGNED BY: DLS
 DRAWN BY: JRK
 CHECKED BY: DLS
 DATE: 08/11/20

PARKER AND PINE FILING 1
 PARKER, CO
 CONSTRUCTION DOCUMENTS
 UTILITY DETAILS

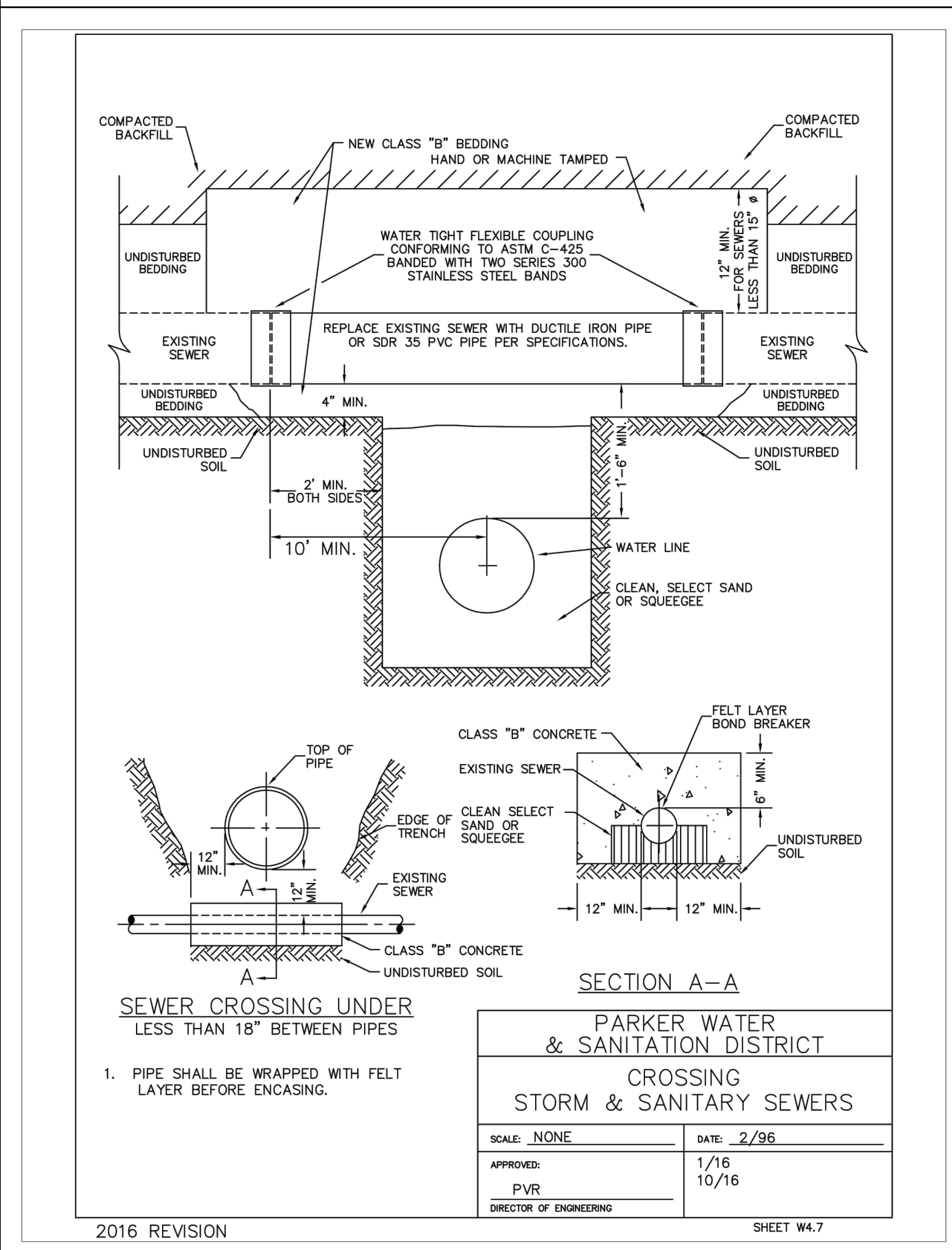
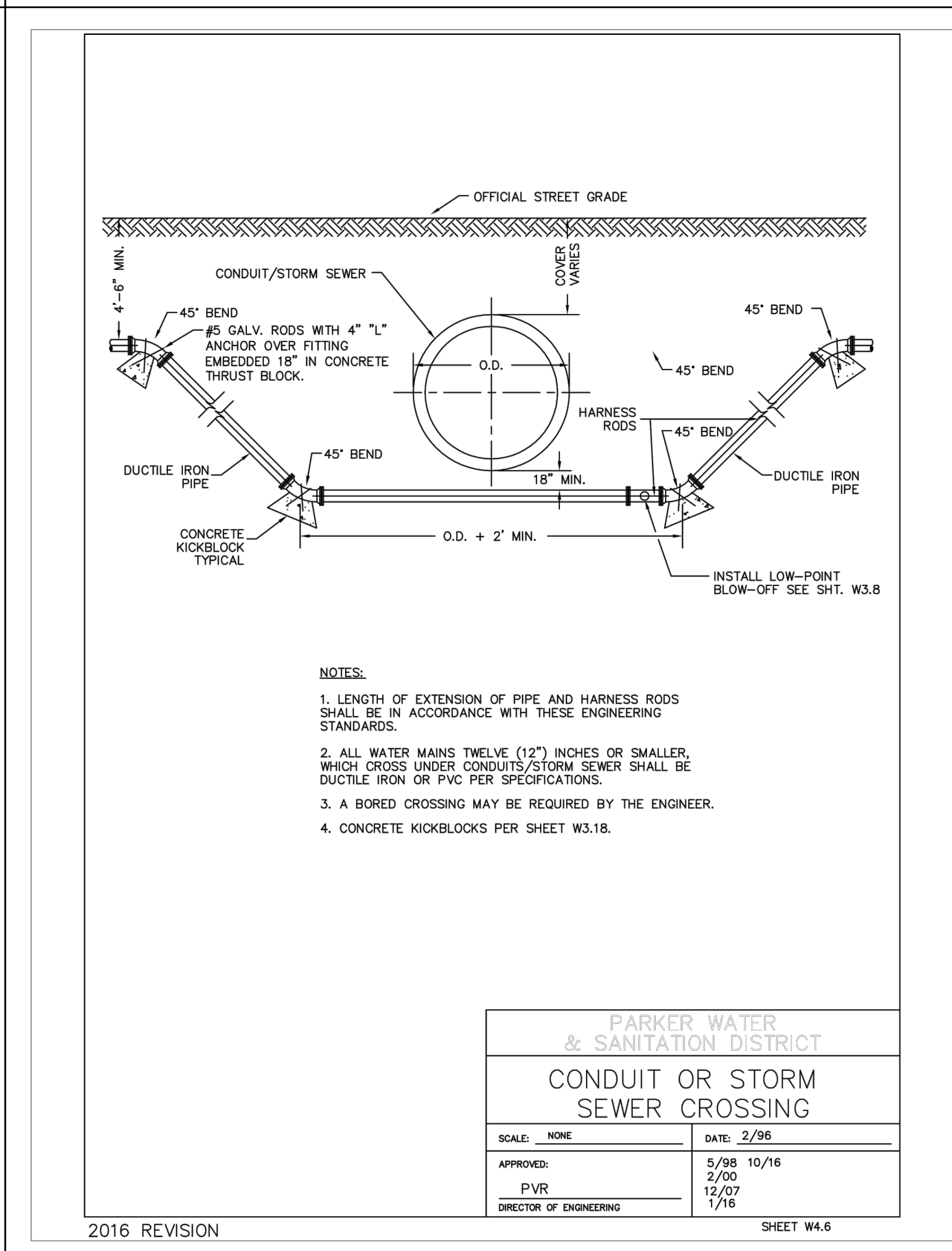
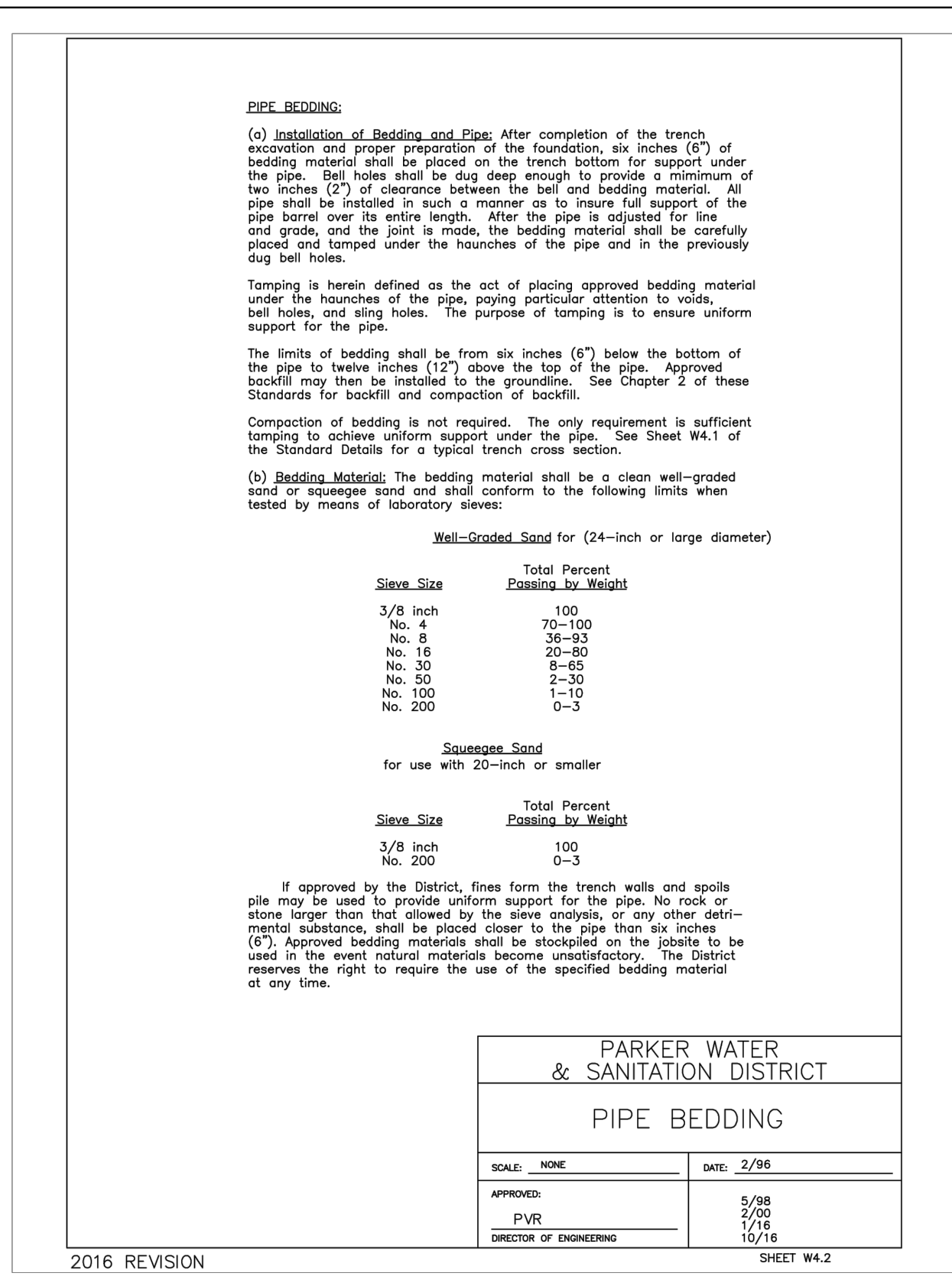
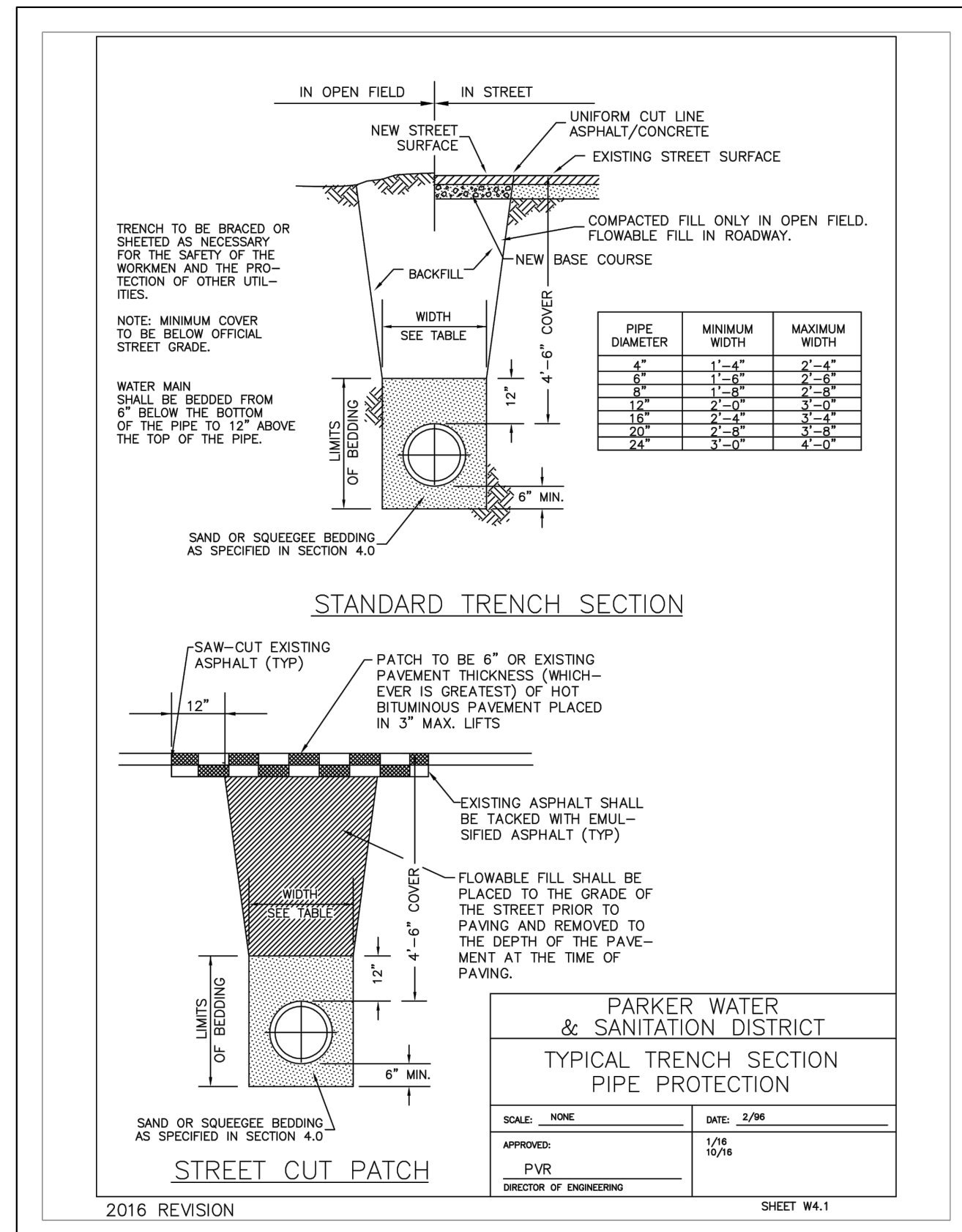
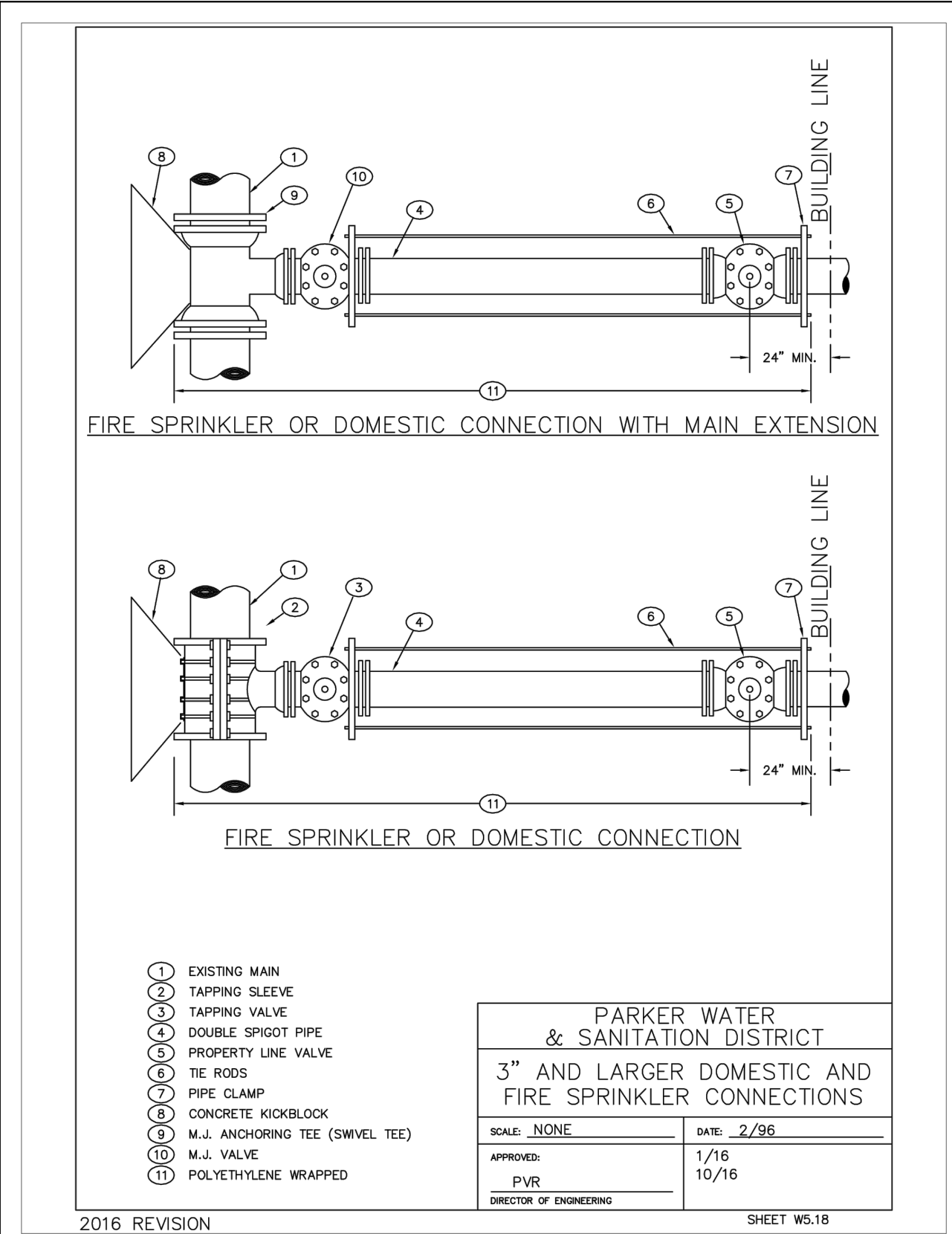
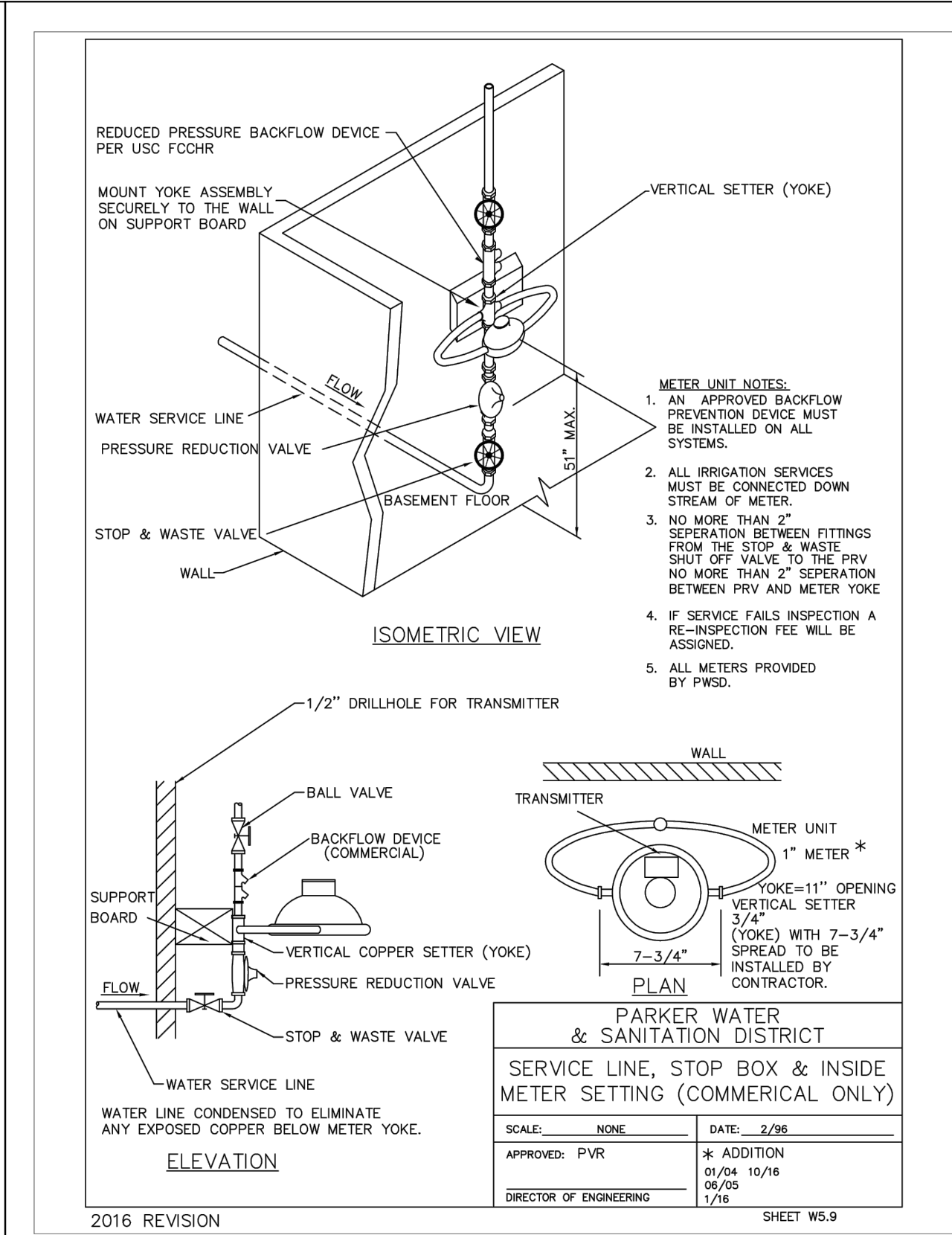
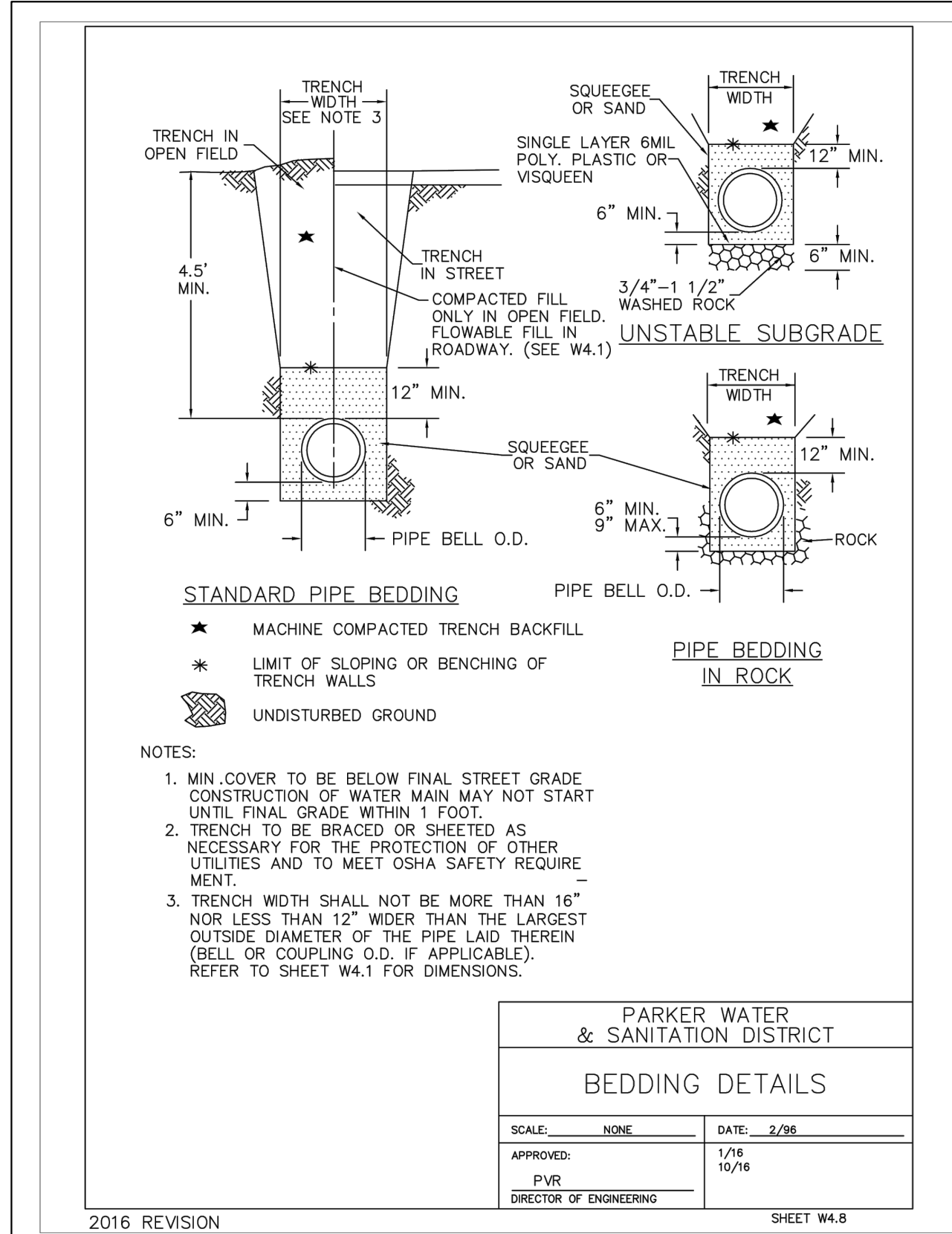


PROJECT NO.
 096502001

DRAWING NAME
 096502001UT-DT

C7.11

K:\DENY_C:\1\09090001 - Misc. Uses (Parker) (SA) CADD Files\Sheet\09090001UT.dwg, K:\DENY_C:\1\09090001 - Misc. Uses (Parker) (SA) CADD Files\Sheet\09090001.dwg, 10/16/2016 10:57 AM, THIS DOCUMENT, WHETHER IN PRINT OR ELECTRONIC FORM, IS THE PROPERTY OF KIMLEY-HORN AND ASSOCIATES, INC. IT IS TO BE USED ONLY FOR THE PROJECT AND SITE SPECIFICALLY IDENTIFIED HEREIN. NO PART OF THIS DOCUMENT IS TO BE REPRODUCED, COPIED, OR TRANSMITTED IN ANY FORM OR BY ANY MEANS, WITHOUT THE WRITTEN PERMISSION OF KIMLEY-HORN AND ASSOCIATES, INC.



NO.	REVISION	BY	DATE

Kimley»Horn
2020 KIMLEY-HORN AND ASSOCIATES, INC.
4582 South Ulster Street, Suite 1500,
Denver, Colorado 80237 (303) 228-2300

DESIGNED BY: DLS
DRAWN BY: JRK
CHECKED BY: DLS
DATE: 08/11/20

PARKER AND PINE FILING 1
PARKER, CO
CONSTRUCTION DOCUMENTS
UTILITY DETAILS



PROJECT NO.
096502001
DRAWING NAME
096502001UT-DT

C7.13