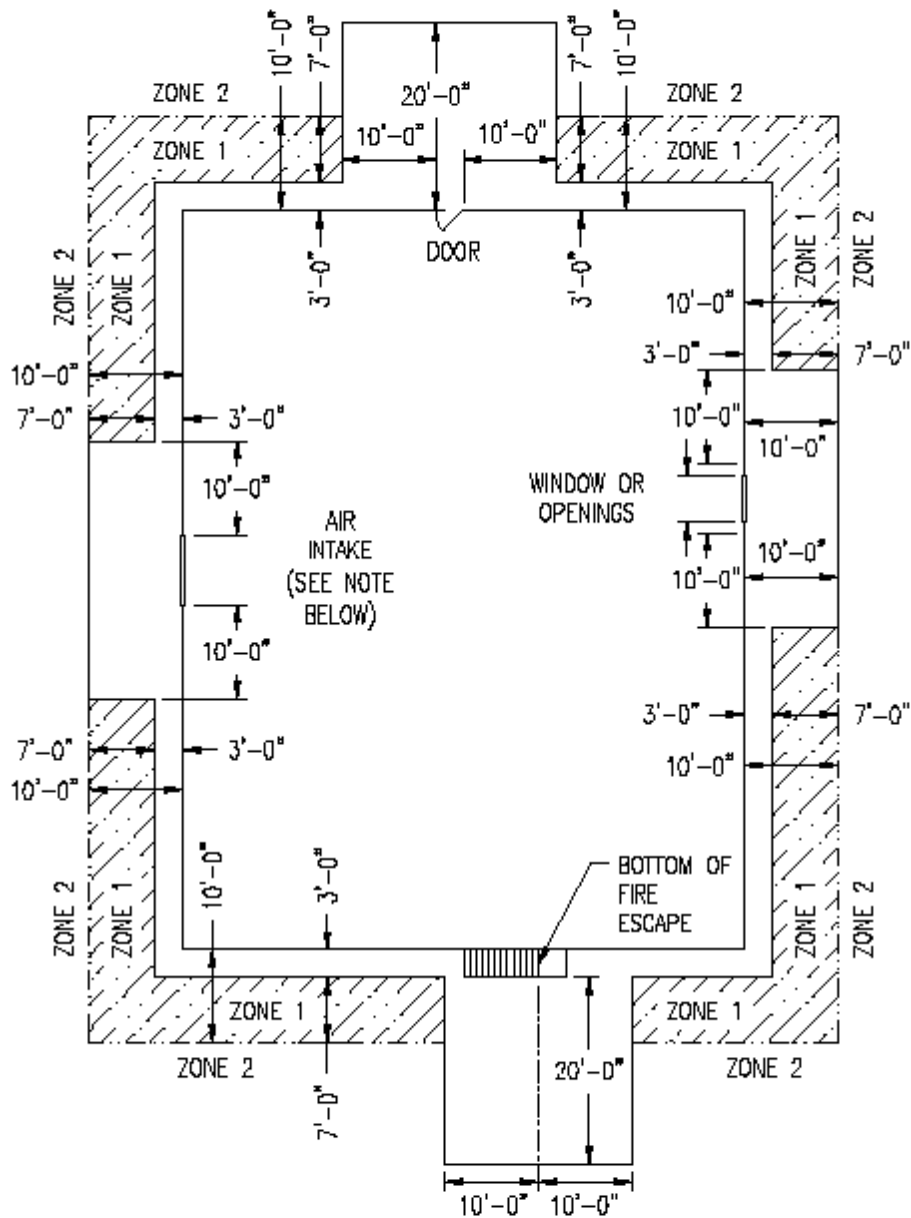


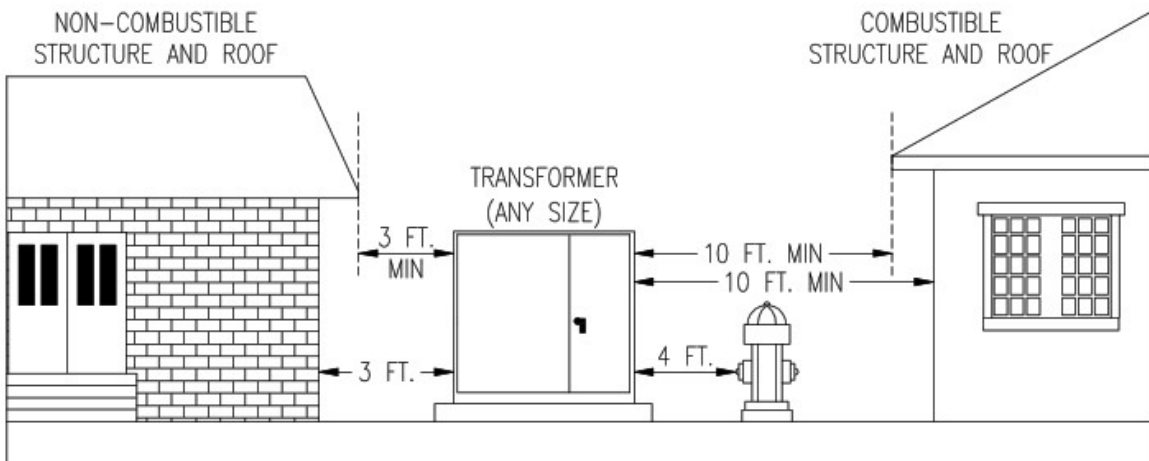
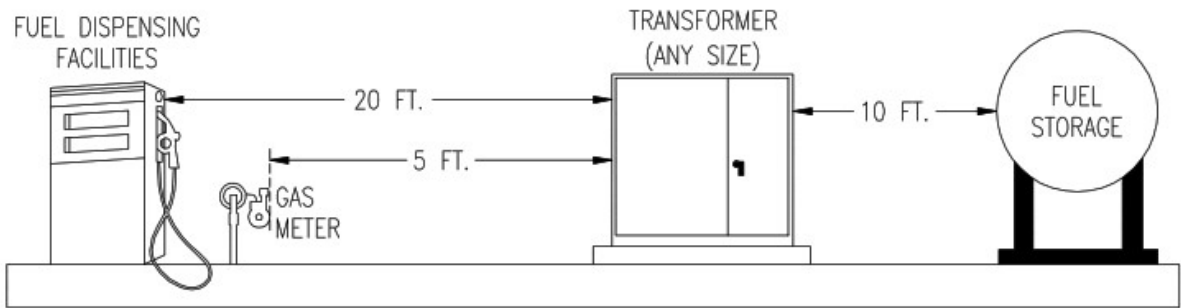
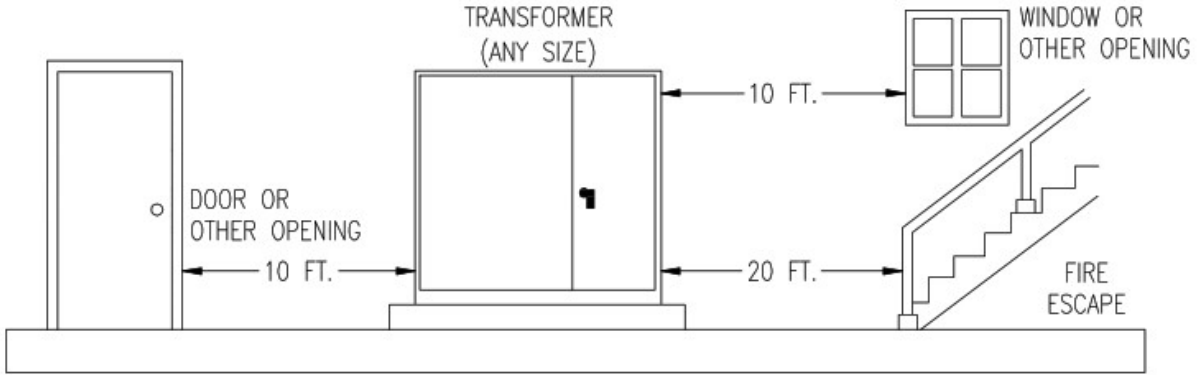
PAD-MOUNTED TRANSFORMER LOCATION MAP AND MINIMUM CLEARANCES



Notes:

Zone 1 (Shaded Area) = Minimum distance for pad-mounted transformer from a non-combustible building.
 Zone 2 = Minimum distance for pad-mounted transformers from a combustibile building.
 Air intake clearance must be a minimum of 25 feet diagonal from transformer (not shown) additional clearances on page 67.

MINIMUM DISTANCES FOR PAD-MOUNT TRANSFORMERS



NOTE: THE MINIMUM SEPARATION DISTANCES SHOWN MAY NOT MEET INSURANCE PROPERTY LOSS PREVENTION REQUIREMENTS. BUILDER/DEVELOPER IS RESPONSIBLE FOR CONFIRMING THESE MINIMUM SEPARATION DISTANCES AND INFORMING IEA ENGINEERING PRIOR TO CONSTRUCTION IF ADDITIONAL CLEARANCES ARE NEEDED.