

SITE SCHEDULE

- 1 MASTERPLAN ADA RAMP TO REMAIN
- 2 MASTERPLAN SIDEWALK TO BE BUILT BY MASTER DEVELOPER.
- 3 FUTURE MONUMENT & SIGN LOCATIONS BY SEPARATE SIGN PERMIT.
- 4 MASTERPLAN STORM INLET TO REMAIN
- 5 MASTERPLAN STORM MANHOLE A.T.G.
- 6 MASTERPLAN SANITARY MANHOLE TO REMAIN
- 7 MASTERPLAN FIRE HYDRANT TO REMAIN
- 8 MASTERPLAN CROSSWALK STRIPING
- 9 NOT USED
- 10 MASTERPLAN CURB AND GUTTER TO REMAIN
- 11 BEGIN CURB CUT. MATCH MASTERPLAN CURB AND PROVIDE AN EXPANSION JOINT AT THE INTERFACE WITH EXISTING.
- 12 PROPERTY LINE
- 13 NOT USED
- 14 PROPOSED CURB AND GUTTER (TYP.)
- 15 PROPOSED DRIVE-THRU ORDER SCREEN. REFER TO ARCHITECTURAL PLANS UNDER A SEPARATE COVER.
- 16 PROPOSED 8'X8' ELECTRICAL TRANSFORMER PAD. GENERAL CONTRACTOR TO PROVIDE CONCRETE PAD PER MANUFACTURER'S SPECIFICATIONS. REFER TO MEP PLANS FOR TRANSFORMER DESIGN AND DETAILS.
- 17 PROPOSED DRIVE-THRU MENU BOARD. NOT PART OF THIS SITE PLAN APPROVAL. SIGN PERMIT REQUIRED.
- 18 PROPOSED DRIVE-THRU CLEARANCE BAR & ENTRY SIGNAGE. ENTRY SIGNAGE NOT PART OF THIS SITE PLAN APPROVAL. SIGN PERMIT REQUIRED.
- 19 PROPOSED CONCRETE SIDEWALK
- 20 PROPOSED CONCRETE PAVEMENT
- 21 PROPOSED ASPHALT PAVEMENT
- 22 APPROX. LOCATION OF PROPOSED LIGHT POLES, BASE, AND FIXTURE. REFER TO PHOTOMETRIC PLAN UNDER SEPARATE COVER. (TYP.)
- 23 PROPOSED TRASH ENCLOSURE. REFER TO ARCHITECTURAL PLANS UNDER SEPARATE COVER.
- 24 PROPOSED SEGMENTAL BLOCK RET. WALL WITH FENCE ON TOP - DESIGN BY OTHERS. REMOVE AND REPLACE SIDEWALK BEHIND RETAINING WALL AS NEEDED FOR CONSTRUCTION OF WALL SYSTEM.
- 25 PROPOSED ADA PARKING SIGNAGE R7-8 MOUNTED ON BUILDING
- 26 PROPOSED ADA HANDICAP VAN ACCESSIBLE SIGN R7-8 AND R7-8A MOUNTED ON BUILDING
- 27 NOT USED
- 28 PROPOSED ADA RAMP
- 29 PROPOSED BUILDING OVERHANG. REFER TO ARCHITECTURAL PLANS UNDER SEPARATE COVER.
- 30 PROPOSED SAMPLING MANHOLE
- 31 PROPOSED COVERED PATIO AREA (397 SF). REFER TO ARCHITECTURAL PLANS UNDER A SEPARATE COVER.
- 32 PROPOSED ADA ROUTE
- 33 PROPOSED PAINT 4" 90° SOLID WHITE PARKING STRIP (TYP.)
- 34 PROPOSED DRIVE-THRU WINDOW
- 35 PROPOSED STORM INLET
- 36 NOT USED
- 37 FACILITY MAIN PUBLIC ENTRY
- 38 PROPOSED FDC
- 39 FIRE RISER ROOM
- 40 MOUNTABLE CURB AND PAVEMENT FOR FIRE VEHICLE ACCESS
- 41 PROPOSED 2' SAWCUT ADJACENT TO PROPOSED SITE ACCESS
- 42 SECONDARY ENTRANCE
- 43 PROPOSED SIDEWALK CHASE
- 44 PROPOSED BIKE RACK
- 45 PROPOSED HS-20 TRAFFIC RATED SANITARY SEWER CLEANOUT
- 46 PROPOSED GREASE INTERCEPTOR
- 47 SCREENED AREA DEFINES ADA COMPLIANT ZONE OF ACCESSIBILITY FROM BUILDING FRONT ENTRANCE TO HANDICAP PARKING STALLS. CROSS SLOPE NOT TO EXCEED 2% IN ALL DIRECTIONS.
- 48 NOT USED
- 49 EUSERC CABINET
- 50 PROPOSED SIGHT DISTANCE TRIANGLE. PER TOWN OF PARKER STD DTL 24. ASSUME 25 MPH.
- 51 PROPOSED 30'X30' CORNER SIGHT TRIANGLE
- 52 PROPOSED CURB OPENING

LEGEND

- PROPERTY LINE
- OFF-SITE PROPERTY LINE
- PROPOSED BUILDING
- PARKING COUNT
- MASTERPLAN CURB AND GUTTER
- PROPOSED 6" CURB AND GUTTER
- PROPOSED FENCE
- PROPOSED RETAINING WALL
- MASTERPLAN SITE LIGHTING
- MASTERPLAN FIRE HYDRANT
- PROPOSED CONCRETE PAVEMENT
- PROPOSED ASPHALT PAVING
- DIRECTIONAL ARROW STRIPING
- DENOTES ADA ROUTE
- PROPOSED SITE LIGHTING
- MASTERPLAN STORM INLET
- MASTERPLAN SANITARY/STORM MANHOLE
- PROPOSED SIGN
- PROPOSED STORM INLET AND MANHOLE

GENERAL NOTES:

1. ALL ITEMS IN SCHEDULE ARE FINAL UNLESS NOTED OTHERWISE.
2. ALL EXISTING UTILITIES TO REMAIN UNLESS NOTED OTHERWISE.
3. ALL CONSTRUCTION SHALL BE PERFORMED IN ACCORDANCE WITH STANDARD SPECIFICATIONS OF ALL GOVERNING JURISDICTIONS AS APPLICABLE.
4. EMERGENCY AND SERVICE TRUCKS WILL MANEUVER THROUGH DRIVE AISLES IN A ONE-WAY TRAFFIC MOVEMENT.
5. CARS/TRUCKS WILL MANEUVER AROUND BUILDING DRIVE AISLES IN A TWO-WAY TRAFFIC MOVEMENT UNLESS OTHERWISE NOTED FOR SPECIFIC DRIVES.
6. HANDICAP PARKING AREAS PROVIDED PER TOWN STANDARDS AND SHALL COMPLY WITH REQUIREMENTS OF THE CURRENT, ADOPTED UNIFORM BUILDING CODE.
7. CONTRACTOR SHALL REFER TO ARCHITECTURAL PLANS FOR PRECISE BUILDING DIMENSIONS, SERVICE AREA, DIMENSIONS, AND ELEVATIONS.
8. THE DISPOSAL OF DEMOLISHED ITEMS SHALL COMPLY TO ALL STATE AND LOCAL REQUIREMENTS.
9. MECHANICAL UNITS, DUMPSTERS AND TRASH COMPACTORS SHALL BE SCREENED IN ACCORDANCE WITH THE TOWN LAND DEVELOPMENT ORDINANCE.
10. ALL SIGNAGE SHALL BE BY SEPARATE PERMIT THROUGH THE TOWN. ALL SIGNS SHALL BE INSTALLED IN ACCORDANCE WITH THE LAND DEVELOPMENT ORDINANCE.
11. ALL ACCESSIBLE RAMPS SHALL HAVE A MAXIMUM SLOPE OF 12:1.
12. SIDEWALKS SHALL NOT EXCEED 2% CROSS SLOPE.
13. THE SLIM CHICKENS HOURS OF OPERATION WILL BE 12 HOURS A DAY.
14. THERE ARE NO USES WITHIN THE SLIM CHICKENS PROJECT THAT UTILIZE OR GENERATE ANY SIGNIFICANT QUANTITIES OF TOXIC MATERIAL.
15. ALL DIMENSIONS ARE FLOWLINE TO FLOWLINE UNLESS OTHERWISE NOTED.
16. ALL PARKING LOT STRIPING SHALL BE WHITE.
17. UNLESS OTHERWISE NOTED, ALL RADII ON PARKING ISLAND SHALL BE 3'.
18. THE CONTRACTOR SHALL OBTAIN THE LATEST CAD FILE OF SITE IMPROVEMENTS FROM THE ENGINEER OF RECORD FOR HORIZONTAL AND VERTICAL SURVEY CONTROL PRIOR TO CONSTRUCTION. CONTRACTOR TO VERIFY WITH ENGINEER OF RECORD ANY DISCREPANCIES BETWEEN THE CAD FILES AND CONSTRUCTION PLANS PRIOR TO INSTALLATION OF PLAN IMPROVEMENTS.
19. SEE ARCHITECTURAL PLANS FOR BUILDING DIMENSIONS.

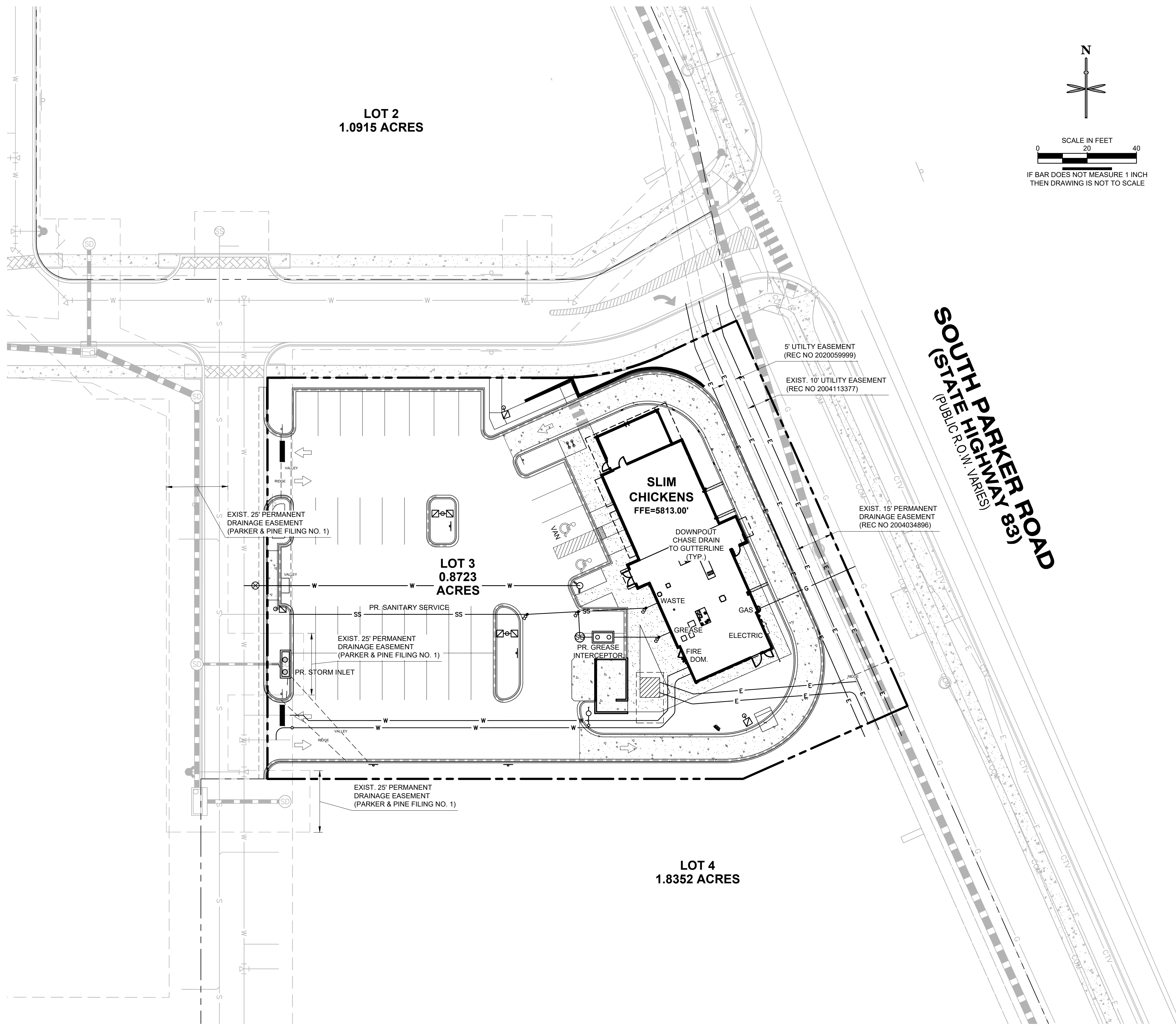
P:ITAL STAR DEVELOPMENT/CO. PARKER - PARKER ROAD & PINE LANE (SLIM CHICKENS) (MID-CAD) (C1) SITE PLAN.DWG

811
 CALL UTILITY NOTIFICATION CENTER OF COLORADO
 1-800-922-1987 or 811
 CALL 3-BUSINESS DAYS (NOT INCLUDING INITIAL DAY OF CONTACT) IN ADVANCE BEFORE YOU DIG, GRADE, OR EXCAVATE FOR THE MARKING OF UNDERGROUND MEMBER UTILITIES.
 Know what's below. Call before you dig.

SOUTH PARKER ROAD (83)
SOUTH STATE HIGHWAY (163)
 (PUBLIC R.O.W. VARIES)

DATE	
BY	
REVISION	
No.	

SITE PLAN SLIM CHICKENS	SITE PLAN
SWC OF S. PARKER ROAD AND E. PINE LANE, PARKER, CO 80134	
PROJECT NO: TSD003.01 DESIGNED BY: CAM DRAWN BY: JLG DATE: 06/28/2021	
C1.0	



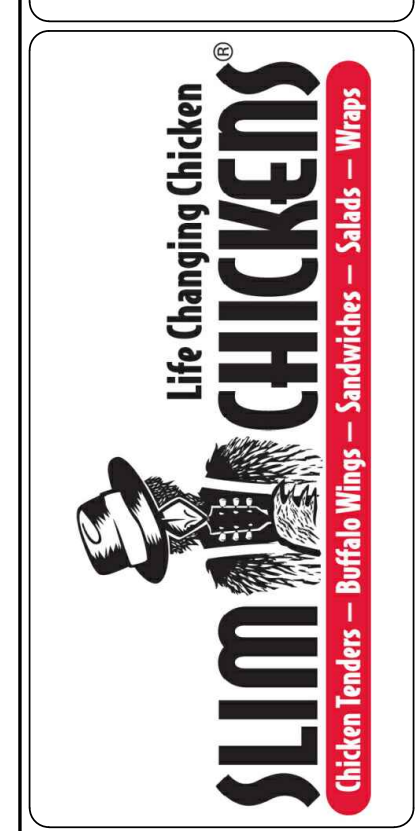
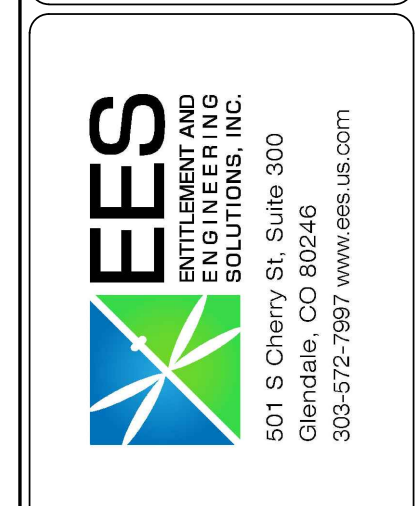
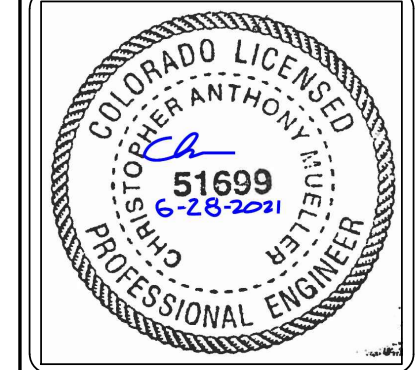
LEGEND

- PROPERTY LINE
- EXISTING CURB AND GUTTER
- PROPOSED CURB AND GUTTER
- PROPOSED SPILL CURB AND GUTTER
- PROPOSED FENCE
- PROPOSED RETAINING WALL
- PROPOSED MAJOR CONTOUR
- PROPOSED MINOR CONTOUR
- EXISTING MAJOR CONTOUR
- EXISTING MINOR CONTOUR
- 5256.21 PROPOSED FLOW LINE ELEVATION
- 5256.21 SW PROPOSED SIDEWALK ELEVATION
- 5256.21 ME PROPOSED GRADE TO MATCH EXISTING
- 5256.21 TBC PROPOSED TOP BACK OF CURB ELEVATION
- 5256.21 FG PROPOSED FINISHED GRADE ELEVATION
- 5256.21 PROPOSED EXTERIOR GRADE AT FOUNDATION
- 3.1% FLOW ARROW AND GRADE

GENERAL NOTES:

1. CATCH CURB AND GUTTER FLOWLINE GRADES SHALL BE A MINIMUM 0.5%.
2. ALL ADA SIDEWALKS, RAMPS AND PARKING STALLS SHALL COMPLY WITH CITY AND STATE APPLICABLE CODES AND STANDARDS.
3. ALL SPOT ELEVATIONS ARE IN REFERENCE TO THE BENCHMARK.
4. SIDEWALKS SHALL NOT EXCEED 2% CROSS SLOPE.
5. ALL ELEVATIONS ARE FLOWLINE UNLESS OTHERWISE NOTED.
6. OFFSITE EASEMENTS REQUIRED FOR ANY GRADING BEYOND PROPERTY BOUNDARY.
7. NO WORK IS TO BEGIN UNTIL ALL PERMITS HAVE BEEN OBTAINED.
8. FINAL GRADES ARE SUBJECT TO MINOR CHANGE BY CONTRACTOR. NO GRADE CHANGES IN EXCESS OF 0.05' WITHOUT ENGINEER APPROVAL.
9. ANY FILL MATERIAL REQUIRED TO BRING THE SITE TO GRADE SHALL BE CLEAN FILL APPROVED BY GEOTECHNICAL ENGINEER.
10. GENERAL CONTRACTOR SHALL BE RESPONSIBLE FOR MINIMIZING DEPOSITION OF ONSITE SEDIMENTS ONTO SURROUNDING PUBLIC STREETS DURING CONSTRUCTION.

DATE	BY	REVISION



SITE PLAN
SLIM CHICKENS
 SWC OF S. PARKER ROAD AND E. PINE LANE, PARKER, CO 80134
GRADING PLAN

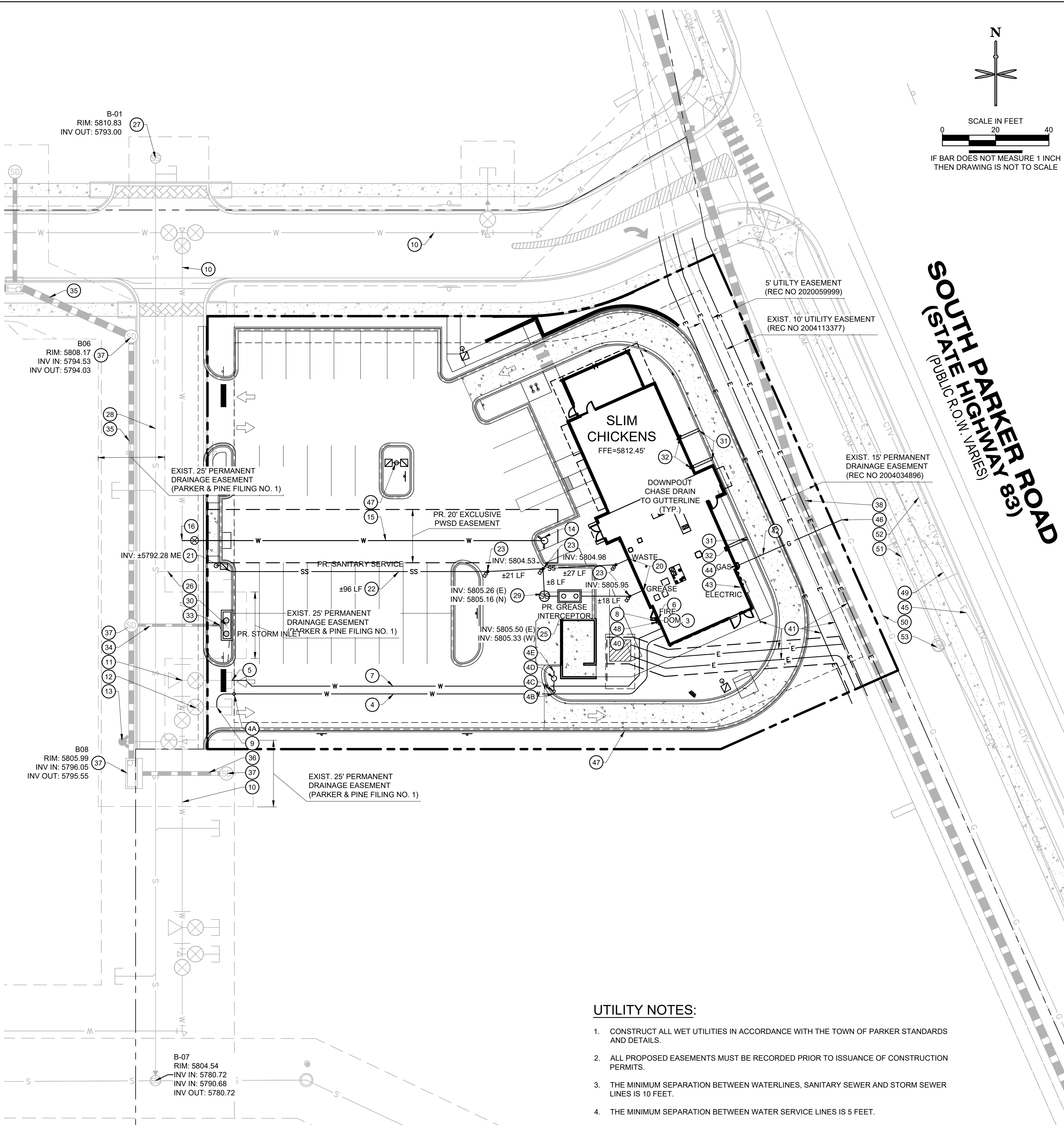
PROJECT NO: TSD003.01
 DESIGNED BY: CAM
 DRAWN BY: JLG
 DATE: 06/28/2021

C2.0

P:\TITIAL STAR DEVELOPMENT\CO. PARKER - PARKER ROAD & PINE LANE (SLIM CHICKENS)\JOB CAD\CAD\C2.0 GRADING PLAN.DWG

811
 CALL UTILITY NOTIFICATION CENTER OF COLORADO
 1-800-922-1987 or 811
 CALL 3-BUSINESS DAYS (NOT INCLUDING INITIAL DAY OF CONTACT) IN ADVANCE BEFORE YOU DIG, GRADE, OR EXCAVATE FOR THE MARKING OF UNDERGROUND MEMBER UTILITIES.
 Know what's below. Call before you dig.

PATRIAL STAR DEVELOPMENT CO. PARKER - PARKER ROAD & PINE LANE (SLIM CHICKENS) CAD/CADD/3D UTILITY PLANNING



WATER

- 1 PROPOSED 1" TYPE K COPPER DOMESTIC WATER CONNECTION TO BUILDING. STUB 6' OFF OF BUILDING. REFER TO PLUMBING PLANS UNDER SEPARATE COVER FOR CONTINUATION.
- 2 PROPOSED 1.5" TYPE K COPPER DOMESTIC WATER SERVICE LINE INSTALLED 5' AFTER METER INSIDE BLDG.
- 3 PROPOSED 1" DOMESTIC WATER METER (INTERIOR).
- 4 PROPOSED 1" TYPE K COPPER DOMESTIC WATER SERVICE LINE.
- 4A 1" CURB STOP VALVE + TRAFFIC-RATED COVER.
- 4B 1" X 3/4" TEE.
- 4C 3/4" IRRIGATION CURB STOP VALVE.
- 4D 3/4" IRRIGATION METER PIT.
- 4E 1 1/2" IRRIGATION LINE. SEE IRRIGATION PLANS FOR CONTINUATION.
- 5 PROPOSED 6"x4" REDUCER.
- 6 PROPOSED 4" DIP FIRE SERVICE LINE (PRIVATE) CONNECTION TO BUILDING. REFER TO PLUMBING PLANS UNDER SEPARATE COVER FOR CONTINUATION.
- 7 PR. 4" DIP FIRE LINE (PRIVATE). (VERIFY W/ MEP)
- 8 PROPOSED FDC WITH APPROVED KNOX PLUGS/CAPS.
- 9 PROPOSED 1" TAP.
- 10 8" PVC LOOPED WATER MAIN BY MASTER DEVELOPER.
- 11 6" WATER STUB WITH TEMP. BLOWOFF BY MASTER DEVELOPER.
- 12 8" STUB WITH TEMP. BLOWOFF (UIP) BY MASTER DEV.
- 13 FIRE HYDRANT BY MASTER DEVELOPER.
- 14 PROPOSED FIRE HYDRANT
- 15 PROPOSED 6" DIP FIRE LINE.
- 16 PROPOSED 6"x8" TEE AND VALVE.

SANITARY SEWER

- 20 PROPOSED 4" SANITARY SEWER STUB 5 FEET OFF BUILDING. REFER TO PLUMBING PLANS UNDER SEPARATE COVER FOR CONTINUATION.
- 21 PROPOSED 6" WYE SANITARY SEWER SERVICE CONNECTION WITH 4"x6" REDUCER. CONTRACTOR FIELD VERIFY AND NOTIFY ENGINEER OF ANY DISCREPANCIES.
- 22 PROPOSED 4" PVC SDR 35 SANITARY SEWER SERVICE @ 2.1% SLOPE.
- 23 PROPOSED HS-20 TRAFFIC RATED SANITARY SEWER CLEANOUT.
- 24 PROPOSED 45° BEND W/ HS-20 TRAFFIC RATED SANITARY SEWER CLEANOUT.
- 25 PR. 1,190 GAL. GREASE INTERCEPTOR. (VERIFY W/ MEP)
- 26 6" PVC SANITARY SERVICE STUB BY MASTER DEVELOPER.
- 27 SANITARY MANHOLE BY MASTER DEVELOPER. PROTECT IN PLACE.
- 28 8" PVC MAIN BY MASTER DEVELOPER.
- 29 PROPOSED 4" SAMPLING MANHOLE

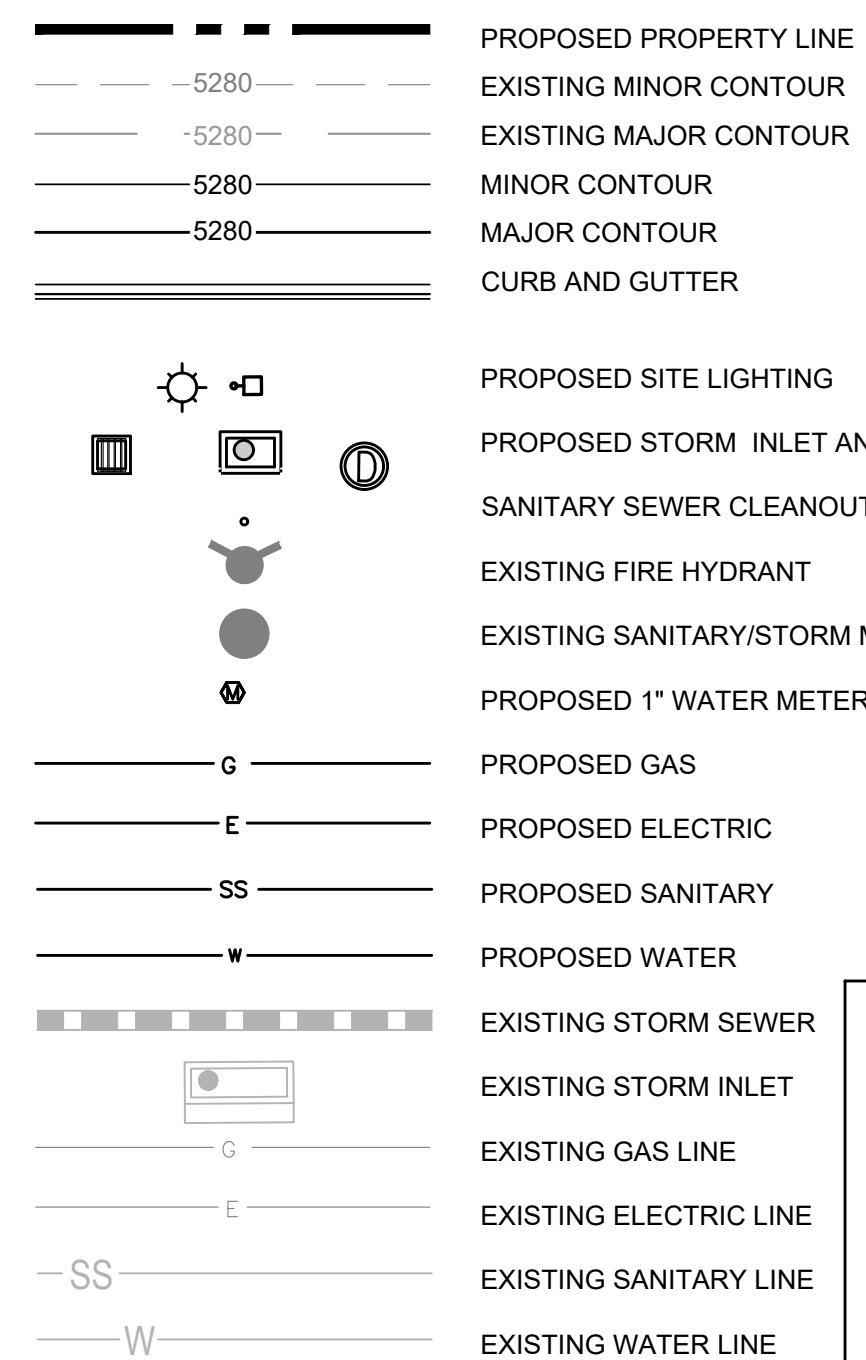
STORM SEWER

- 30 PROPOSED PRIVATE CDOT TYPE R INLET. EXISTING MANHOLE TO BE REMOVED.
- 31 PROPOSED CHASE DRAIN.
- 32 PROPOSED DOWNSPOUT LOCATION. (SEE ARCH. PLANS)
- 33 CONNECTION TO EXISTING PRIVATE STORM SEWER STUB (12" RCP @ 1.0%) PROVIDED BY BY MASTER DEVELOPER. CONTRACTOR TO VERIFY INVERTS AND NOTIFY ENGINEER OF ANY DISCREPANCY.
- 34 PRIVATE 12" RCP STORM SEWER STUB AT 1.0% BY MASTER DEVELOPER. PROTECT IN PLACE.
- 35 PRIVATE 24" RCP STORM SEWER BY MASTER DEVELOPER. PROTECT IN PLACE.
- 36 PRIVATE 18" RCP STORM SEWER BY MASTER DEVELOPER. PROTECT IN PLACE.
- 37 PRIVATE STORM SEWER, INLET OR MANHOLE BY MASTER DEVELOPER. PROTECT IN PLACE.
- 38 EX. MANHOLE TOP A.T.G. PRIVATE 36" RCP STORM SEWER BY MASTER DEVELOPER. PROTECT IN PLACE.

DRY UTILITIES

- 40 PROPOSED 8" X 8" ELECTRICAL TRANSFORMER PAD. GENERAL CONTRACTOR TO PROVIDE CONCRETE PAD PER MANUFACTURER'S SPECIFICATIONS. REFER TO MEP PLANS FOR TRANSFORMER DESIGN UNDER SEPARATE COVER.
- 41 PROPOSED ELECTRIC LINE. (APPROXIMATE LOCATION. CONTRACTOR TO COORDINATE WITH PROJECT MEP AND UTILITY COMPANY PRIOR TO ANY CONSTRUCTION)
- 42 PROPOSED GAS LINE. (APPROXIMATE LOCATION. CONTRACTOR TO COORDINATE WITH PROJECT MEP AND UTILITY COMPANY PRIOR TO ANY CONSTRUCTION)
- 43 PROPOSED ELECTRICAL METER. (LOCATION FOR REFERENCE ONLY).
- 44 PROPOSED GAS METER. (LOCATION FOR REFERENCE ONLY).
- 45 PROPOSED ELECTRIC LINE CONNECTION TO EXISTING LINE. (LOCATION FOR REFERENCE ONLY).
- 46 PR. GAS LINE CONNECTION TO EX. LINE. CONTRACTOR SHALL ORDER SERVICE AND COORD. WITH XCEL.
- 47 PROPOSED LIGHT POLE, BASE AND FIXTURE (SEE PHOTOMETRIC PLAN UNDER SEPARATE COVER).
- 48 PROPOSED KNOX BOX (SEE ARCHITECTURAL PLANS UNDER SEPARATE COVER).
- 49 EXISTING UNDERGROUND ELECTRIC.
- 50 EXISTING UNDERGROUND GAS LINE.
- 51 EXISTING UNDERGROUND COMMUNICATION LINE.
- 52 EXISTING TELECOMMUNICATION LINE.
- 53 EXISTING UTILITY MANHOLE/STRUCTURE/BOX

UTILITY LEGEND



UTILITY NOTES:

- 1. CONSTRUCT ALL WET UTILITIES IN ACCORDANCE WITH THE TOWN OF PARKER STANDARDS AND DETAILS.
- 2. ALL PROPOSED EASEMENTS MUST BE RECORDED PRIOR TO ISSUANCE OF CONSTRUCTION PERMITS.
- 3. THE MINIMUM SEPARATION BETWEEN WATERLINES, SANITARY SEWER AND STORM SEWER LINES IS 10 FEET.
- 4. THE MINIMUM SEPARATION BETWEEN WATER SERVICE LINES IS 5 FEET.
- 5. THE SITE IS LOCATED WITHIN THE TOWN OF PARKER _____ WATER PRESSURE ZONE.
- 6. THE CONTRACTOR SHALL NOTIFY ENGINEER AND FIELD VERIFY TYPE, SIZE, AND LOCATION OF EXISTING UTILITIES PRIOR TO UTILITY CONSTRUCTION.
- 7. THE CONTRACTOR SHALL NOTIFY THE TOWN OF PARKER OF ANY WORK THAT IS REQUIRED SHUTDOWN OR INTERRUPTION OF SERVICE OF EXISTING WATER MAINS TWO WEEKS PRIOR TO THE PROPOSED SHUTDOWN OR INTERRUPTION UNLESS OTHERWISE APPROVED BY THE UTILITIES DEPARTMENT.

All fire hydrants shall be installed according to water utility standards. The number and locations of the fire hydrants as shown on the Overall Utility Plan are correct as specified by the Town of Parker, Community Development Department.

Fire Code Official or Designated Representative _____ Date _____

(NOTE - Underground Fire Line (UFL) submittal documents must meet the requirements of NFPA 24 when submitting for review.)

811
CALL UTILITY NOTIFICATION CENTER OF COLORADO
1-800-922-1987 or 811
CALL 3-BUSINESS DAYS (NOT INCLUDING INITIAL DAY OF CONTACT) IN ADVANCE BEFORE YOU DIG, GRADE, OR EXCAVATE FOR THE MARKING OF UNDERGROUND MEMBER UTILITIES.
Know what's below. Call before you dig.

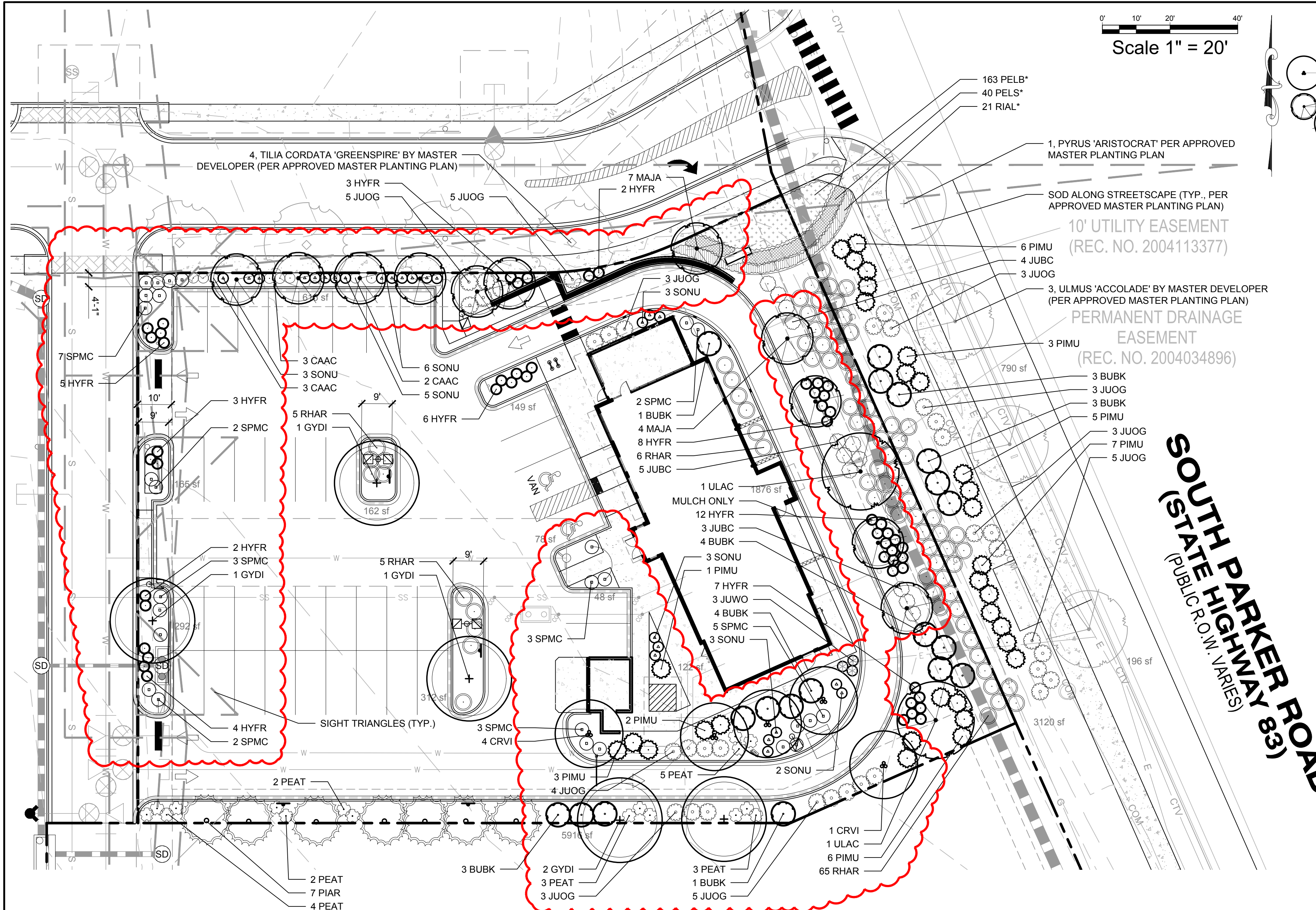
DATE	
BY	
REVISION	
No.	

EES
ENGINEERING AND SOLUTIONS, INC.
501 S Cherry St, Suite 300
Glen Dale, CO 80248
303-512-7997 www.ees.us.com

SITE PLAN
SLIM CHICKENS
SWC OF S. PARKER ROAD AND E. PINE LANE, PARKER, CO 80134
UTILITY PLAN

PROJECT NO:	TSD003.01
DESIGNED BY:	CAM
DRAWN BY:	JLG
DATE:	06/28/2021

C3.0



PLANTING LEGEND

SYMBOL	BOTANIC NAME	COMMON NAME	SIZE	SPACING	QUANTITY	YEARS TO MATURITY	SIZE AT MATURITY (HxW)
DECIDUOUS TREES							
CRVI	Crataegus viridis 'Winter King'	Winter King Hawthorne	B&B, 2" caliper	Per plan	5	10-15 years	30' X 20'
GYDI	Gymnocladus dioica 'Espresso'	Seedless Coffeetree	B&B, 2" caliper	30' o.c.	5	20-25 years	40'-50' X 30'-35'
MAJA	Malus 'Jamin'	Marilee Crabapple	B&B, 2" caliper	Per plan	11	10-15 years	24' X 10'
ULAC	Ulmus davidiana var. japonica 'Morton'	Accolade Elm	B&B, 2" caliper	Per plan	2	20-25 years	50'-60' X 30'-40'
EVERGREEN TREES							
PIAR	Pinus aristata	Bristlecone Pine	B&B, 6" high min.	12'-15' o.c.	7	20-25 years	20'-25' X 10'-15'
DECIDUOUS SHRUBS							
BUBK	Buddleia 'Black Knight'	Black Knight Butterfly Bush	5 gallon	7' o.c.	19	+/-5 years	7' X 7'
HYFR	Hypericum frondosum 'Sunburst'	Sunburst St. Johnswort	5 gallon	3' o.c.	52	+/-2 years	2' X 3'
RIAL*	Ribes alpinum 'Green Mound'	Green Mound Alpine Currant	5 gallon	3' o.c.	21	+/-2 years	3'-6" X 3'-6"
SPMC	Spiraea japonica 'Magic Carpet'	Magic Carpet Spiraea	5 gallon	3' o.c.	27	+/-5 years	2' X 3'
EVERGREEN SHRUBS							
JUOG	Juniperus media 'Old Gold'	Old Gold Juniper	5 gallon	4' o.c.	35	+/-5 years	3'-4" X 4'-5"
JUWO	Juniperus scopulorum 'Woodward'	Woodward Juniper	5 gallon	3' o.c.	3	5-10 years	15' X 2'-3'
PEAT	Perovskia atriplicifolia	Russian Sage	5 gallon	3' o.c.	17	+/-3 years	3' X 3'
PELS*	Perovskia atriplicifolia 'Little Spire'	Little Spire Russian Sage	5 gallon	2' o.c.	40	+/-3 years	2' X 2'
PIMU	Pinus mugo 'White Bud'	White Bud Mugo Pine	5 gallon	5' o.c.	31	+/-10 years	8' X 6'
PERENNIALS, ORNAMENTAL GRASSES, AND GROUNDCOVERS							
CAAC	Calamagrostis acutifolia 'Karl Foerster'	Karl Foerster Feather Reed Grass	1 gallon	18" o.c.	8	2 years	36"-48" X 18"-24"
JUBC	Juniperus horizontalis 'Blue Chip'	Blue Chip Juniper	5 gallon	5' o.c.	12	+/-5 years	1' X 4'-5"
PELS*	Pennisetum 'Little Bunny'	Little Bunny Fountain Grass	1 gallon	1' o.c.	163	2 years	1' X 1'
RHAR	Rhus aromatica 'Gro-Low'	Gro-Low Sumac	5 gallon	5' o.c.	81	2 years	12"-24" X 60"-72"
SONU	Sorghastrum nutans 'Sioux Blue'	Sioux Blue Indian Rice Grass	1 gallon	3' o.c.	24	2 years	4'-6" X 2'-3"

TOWN OF PARKER LANDSCAPE CALCULATIONS

GENERAL
 SITE AREA: 37,998 SF
 LANDSCAPE AREA REQUIRED: 5,700 SF (15%)
 LANDSCAPE AREA PROVIDED: 9,731 SF (25.8%)

COVERAGE BY LIVE MATERIAL REQUIRED: 7,298 SF (75%)
COVERAGE BY LIVE MATERIAL PROVIDED: 7,346 (75.5%)

OVERALL SITE LANDSCAPE
 TOTAL AREA: 37,998 SF
 TREES REQUIRED: 7 (1 PER 1500 SF OF LANDSCAPE AREA)
 TREES PROVIDED: 7 (100%)
 DECIDUOUS: 7 (100%)
 EVERGREEN: 0 (0%)
 SHRUBS REQUIRED: 33 (6 PER 1500 SF OF LANDSCAPE AREA)
 SHRUBS PROVIDED: 39

STREETSCAPE LANDSCAPE
 TOTAL AREA: 4,106 SF
 LIVE COVERAGE REQUIRED: 3,080 SF (75%)
 LIVE COVERAGE PROVIDED: 3,100 SF (75.5%)

NOTE: DUE TO PHYSICAL SPACE LIMITATIONS AND UTILITIES, ONE TREE (CRATAEGUS) HAS BEEN SHOWN SOUTH OF THE DRIVE-THROUGH.

NOTE: ORNAMENTAL GRASSES ARE NOT USED IN THE LANDSCAPE CALCULATIONS.

SITE PERIMETER LANDSCAPE

WESTERN FRONTAGE (163 LF)
 TREES REQUIRED: 4 (1 PER 40 LF OF FRONTAGE)
 TREES PROVIDED: 3*
 EVERGREEN: 0
 DECIDUOUS: 3*
 SHRUBS REQUIRED: 21 (5 PER 40 LF OF FRONTAGE)
 SHRUBS PROVIDED: 23
 * ONE TREE NOT SHOWN DUE TO PROXIMITY TO STORM INLET

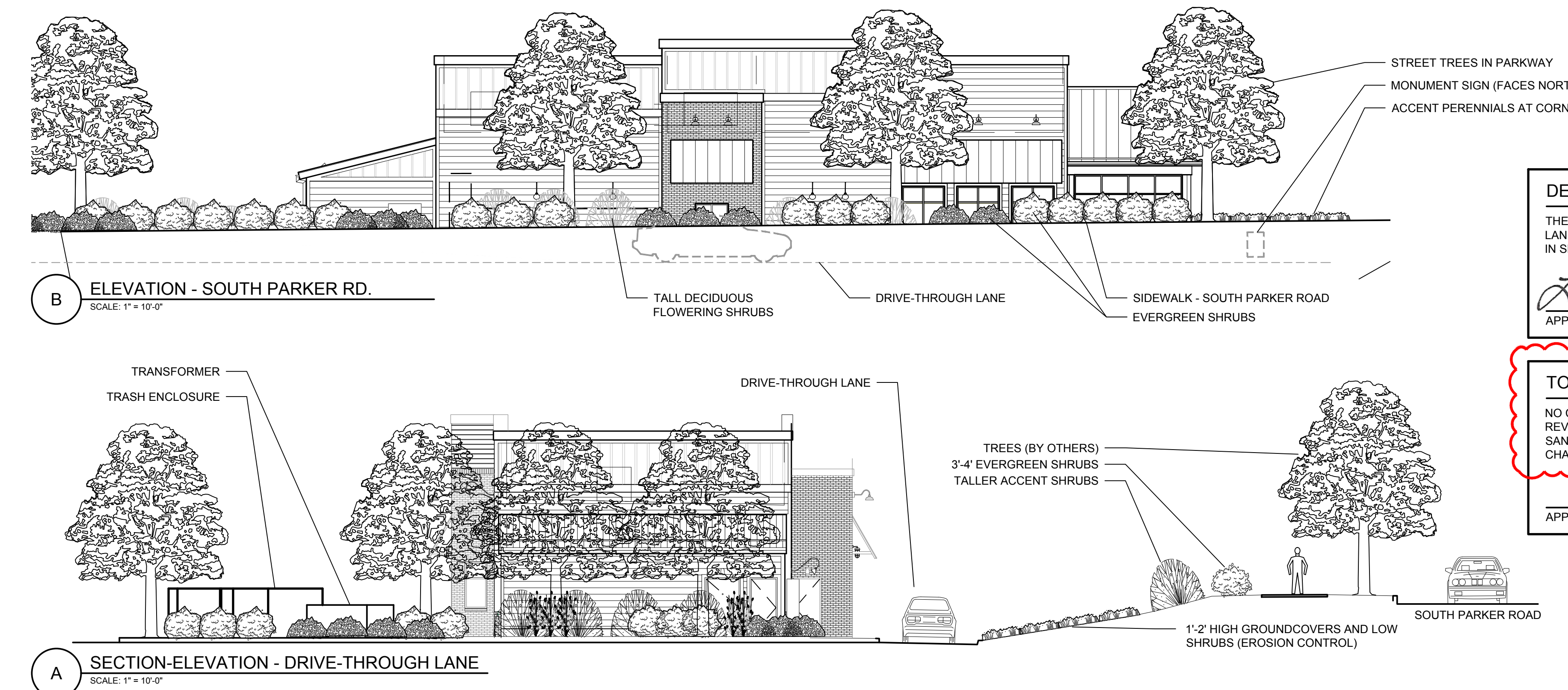
NORTHERN FRONTAGE (194 LF)
 TREES REQUIRED: 5 (1 PER 40 LF OF FRONTAGE)
 TREES PROVIDED: 5
 EVERGREEN: 0
 DECIDUOUS: 5
 SHRUBS REQUIRED: 25 (5 PER 40 LF OF FRONTAGE)
 SHRUBS PROVIDED: 25

EASTERN FRONTAGE (171 LF)
 TREES REQUIRED: 5 (1 PER 40 LF OF FRONTAGE)
 TREES PROVIDED: 5
 EVERGREEN: 0
 DECIDUOUS: 5
 SHRUBS REQUIRED: 22 (5 PER 40 LF OF FRONTAGE)
 SHRUBS PROVIDED: 31

SOUTHERN PROPERTY LINE (266 LF)
 TREES REQUIRED: 7 (1 PER 40 LF OF FRONTAGE)
 TREES PROVIDED: 7
 EVERGREEN: 7
 DECIDUOUS: 0
 SHRUBS REQUIRED: 34 (5 PER 40 LF OF FRONTAGE)
 SHRUBS PROVIDED: 34

TOTAL EVERGREEN TREES: 7 (35%)
TOTAL DECIDUOUS TREES: 13 (65%)

- ### TOWN OF PARKER LANDSCAPE NOTES
- PLANT SPECIES AND LOCATION SHALL FOLLOW THE APPROVED PLAN. IF SITE CONDITIONS OR PLANT AVAILABILITY REQUIRE CHANGES TO THE PLAN, THEN THE APPLICANT MUST GET APPROVAL FROM THE TOWN OF PARKER, COMMUNITY DEVELOPMENT DEPARTMENT, PRIOR TO PLANTING.
 - ALL PLANT MATERIAL SHALL CARRY A WARRANTY FOR NOT LESS THAN ONE YEAR AFTER ACCEPTANCE OF THE PROJECT BY THE OWNER.
 - TO THE MAXIMUM EXTENT FEASIBLE, TOPSOIL THAT IS REMOVED DURING CONSTRUCTION ACTIVITY SHALL BE CONSERVED FOR LATER USE ON AREAS REQUIRING REVEGETATION AND LANDSCAPING.
 - LANDSCAPE AREAS SHALL RECEIVE ORGANIC SOIL AMENDMENTS AT A RATE OF 5 CUBIC YARDS PER 1,000 SQUARE FEET, OR AS OTHERWISE RECOMMENDED BY A SOIL TEST. AMENDMENTS SHALL BE ROTOTILLED TO A MINIMUM DEPTH OF 8".
 - ANY CHANGES TO THE SITE PLAN REQUIRE PRIOR APPROVAL FROM THE TOWN OF PARKER COMMUNITY DEVELOPMENT - PLANNING DIVISION, AND MAY REQUIRE A SITE PLAN AMENDMENT.
 - NO SUBSTANTIAL CHANGE FROM THE APPROVED LANDSCAPE PLAN MAY OCCUR WITHOUT PRIOR REVIEW OF THE PARKER WATER AND SANITATION DISTRICT, WHICH MAY REQUIRE ADDITIONAL IRRIGATION TAPS FOR CHANGES DUE TO MORE WATER INTENSIVE LANDSCAPING.



DESIGN CERTIFICATION

THE LANDSCAPE ARCHITECT ACKNOWLEDGES AND HEREBY CERTIFIES THAT THE LANDSCAPE DESIGN PLAN MEETS THE TOWN OF PARKER LANDSCAPE REGULATIONS IN SECTION 13.08.070 OF THE TOWN OF PARKER LAND DEVELOPMENT ORDINANCE.

Laurance M. Lesser 2/22/2021
 APPLICANT/DEVELOPER DATE

TOWN OF PARKER NOTES

NO CHANGE FROM THE APPROVED LANDSCAPE PLAN MAY OCCUR WITHOUT PRIOR REVIEW AND APPROVAL OF THE TOWN OF PARKER WATER AND SANITATION DISTRICT, WHICH MAY REQUIRE ADDITIONAL IRRIGATION TAPS FOR CHANGES DUE TO MORE WATER INTENSIVE LANDSCAPING.

APPLICANT/DEVELOPER DATE

811
 CALL UTILITY NOTIFICATION CENTER OF COLORADO
 1-800-922-1987 or 811
 CALL 3-BUSINESS DAYS (NOT INCLUDING INITIAL DAY OF CONTACT) IN ADVANCE BEFORE YOU DIG, GRADE, OR EXCAVATE FOR THE MARKING OF UNDERGROUND MEMBER UTILITIES.
 Know what's below. Call before you dig.

LAWRENCE M. LESSER
 188
 01/01/2008
 State of Colorado
 LICENSED LANDSCAPE ARCHITECT
 6/25/2021

DATE: _____ BY: _____ REVISION: _____ No. _____

EVERGREEN DESIGN GROUP
 (800) 680-6630
 1755 Telesar Dr., Ste 300
 Colorado Springs, CO 80920
 www.EvergreenDesignGroup.com

EES
 ENTITLEMENT AND ENGINEERING SOLUTIONS, INC.
 501 S Cherry St., Suite 300
 Glendale, CO 80246
 303-572-7957 www.ees.us.com

Life Changing Chickens
SLIM CHICKENS
 Chicken tenders - Buffalo Wings - Sandwiches - Salads - Wraps

SITE PLAN
SLIM CHICKENS
 5WC OF S. PARKER ROAD AND E. PINE LANE, PARKER, CO 80134
PLANTING PLAN

PROJECT NO: TSD003.01
 DESIGNED BY: LML
 DRAWN BY: LML
 DATE: 06/15/2020

L-1

PLANTING SPECIFICATIONS

GENERAL

A. QUALIFICATIONS OF LANDSCAPE CONTRACTOR

- ALL LANDSCAPE WORK SHOWN ON THESE PLANS SHALL BE PERFORMED BY A SINGLE FIRM SPECIALIZING IN LANDSCAPE PLANTING.
- A LIST OF SUCCESSFULLY COMPLETED PROJECTS OF THIS TYPE, SIZE AND NATURE MAY BE REQUESTED BY THE OWNER FOR FURTHER CLARIFICATION OF THE CONTRACTOR'S CAPABILITIES.
- THE LANDSCAPE CONTRACTOR SHALL HOLD A VALID CONTRACTOR'S LICENSE ISSUED BY THE APPROPRIATE LOCAL JURISDICTION.

B. SCOPE OF WORK

- WORK COVERED BY THESE SECTIONS INCLUDES THE FURNISHING AND PAYMENT OF ALL MATERIALS, LABOR, SERVICES, EQUIPMENT, LICENSES, TAXES AND ANY OTHER ITEMS THAT ARE NECESSARY FOR THE EXECUTION, INSTALLATION AND COMPLETION OF ALL WORK SPECIFIED HEREIN AND / OR SHOWN ON THE LANDSCAPE PLANS, NOTES, AND DETAILS.
- ALL WORK SHALL BE PERFORMED IN ACCORDANCE WITH ALL APPLICABLE LAWS, CODES AND REGULATIONS REQUIRED BY AUTHORITIES HAVING JURISDICTION OVER SUCH WORK, INCLUDING ALL INSPECTIONS AND PERMITS REQUIRED BY FEDERAL, STATE AND LOCAL AUTHORITIES IN SUPPLY, TRANSPORTATION AND INSTALLATION OF MATERIALS.
- THE LANDSCAPE CONTRACTOR SHALL VERIFY THE LOCATION OF ALL UNDERGROUND UTILITY LINES (WATER, SEWER, ELECTRICAL, TELEPHONE, GAS, CABLE, TELEVISION, ETC.) PRIOR TO THE START OF ANY WORK.

PRODUCTS

A. ALL MANUFACTURED PRODUCTS SHALL BE NEW.

- CONTAINER AND BALLED-AND-BURLAPPED PLANTS.
- FURNISH NURSERY-GROWN PLANTS COMPLIANT WITH ANSI Z60.1-2014. PROVIDE WELL-SHAPED, FULLY BRANCHED, HEALTHY, VIGOROUS STOCK FREE OF DISEASE, INSECTS, EGGS, LARVAE, AND DEFOLIATION SUCH AS KNOTS, SUN SCALD, INJURIES, ABRASIONS, AND DISFIGUREMENT. ALL PLANTS WITHIN A SPECIES SHALL HAVE SIMILAR SIZE, AND SHALL BE OF A FORM TYPICAL FOR THE SPECIES. ALL TREES SHALL BE OBTAINED FROM SOURCES WITHIN 200 MILES OF THE PROJECT SITE, AND WITH SIMILAR CLIMATIC CONDITIONS.
- TREES MAY BE PLANTED FROM CONTAINERS OR BALLED-AND-BURLAPPED (B&B), UNLESS SPECIFIED ON THE PLANTING LEGEND. BARE-ROOT TREES ARE NOT ACCEPTABLE.
- ANY PLANT DEEMED UNACCEPTABLE BY THE LANDSCAPE ARCHITECT OR OWNER SHALL BE IMMEDIATELY REMOVED FROM THE SITE AND SHALL BE REPLACED WITH AN ACCEPTABLE PLANT OF LIKE TYPE AND SIZE AT THE CONTRACTOR'S OWN EXPENSE. ANY PLANTS APPEARING TO BE UNHEALTHY, EVEN IF DETERMINED TO STILL BE ALIVE, SHALL NOT BE ACCEPTED. THE LANDSCAPE ARCHITECT AND OWNER SHALL BE THE SOLE JUDGES AS TO THE ACCEPTABILITY OF PLANT MATERIAL.
- ALL TREES SHALL BE STANDARD IN FORM, UNLESS OTHERWISE SPECIFIED. TREES WITH CENTRAL LEADERS WILL NOT BE ACCEPTED IF LEADER IS DAMAGED OR REMOVED. PRUNE ALL DAMAGED TWIGS AFTER PLANTING.
- CALIPER MEASUREMENTS FOR STANDARD (SINGLE TRUNK) TREES SHALL BE AS FOLLOWS: SIX INCHES ABOVE THE ROOT FLARE FOR TREES UP TO AND INCLUDING FOUR INCHES IN CALIPER, AND TWELVE INCHES ABOVE THE ROOT FLARE FOR TREES EXCEEDING FOUR INCHES IN CALIPER.
- MULTI-TRUNK TREES SHALL BE MEASURED BY THEIR OVERALL HEIGHT, MEASURED FROM THE TOP OF THE ROOT BALL. WHERE CALIPER MEASUREMENTS ARE USED, THE CALIPER SHALL BE CALCULATED AS ONE-HALF OF THE SUM OF THE CALIPER OF THE THREE LARGEST TRUNKS.
- ANY TREE OR SHRUB SHOWN TO HAVE EXCESS SOIL PLACED ON TOP OF THE ROOT BALL, SO THAT THE ROOT FLARE HAS BEEN COMPLETELY COVERED, SHALL BE REJECTED.
- TOPSOIL: SANDY TO CLAY LOAM TOPSOIL, FREE OF STONES LARGER THAN 1/2 INCH, FOREIGN MATTER, PLANTS, ROOTS, AND SEEDS.
- COMPOST: WELL-COMPOSTED, STABLE, AND WEED-FREE ORGANIC MATTER, PH RANGE OF 5.5 TO 8; MOISTURE CONTENT 35 TO 55 PERCENT BY WEIGHT; 100 PERCENT PASSING THROUGH 3/4-INCH SIEVE; SOLUBLE SALT CONTENT 0.5 TO 1.0 PERCENT; NOT EXCEEDING 0.5 PERCENT INERT CONTAMINANTS AND FREE OF SUBSTANCES TOXIC TO PLANTINGS. NO MANURE OR ANIMAL-BASED PRODUCTS SHALL BE USED.
- FERTILIZER: GRANULAR FERTILIZER CONSISTING OF NITROGEN, PHOSPHORUS, POTASSIUM, AND OTHER NUTRIENTS IN PROPORTIONS, AMOUNTS, AND RELEASE RATES RECOMMENDED IN A SOIL REPORT FROM A QUALIFIED SOIL-TESTING AGENCY (SEE BELOW).
- MULCH: SIZE AND TYPE AS INDICATED ON PLANS, FREE FROM DELETERIOUS MATERIALS AND SUITABLE AS A TOP DRESSING OF TREES AND SHRUBS.
- TREE STAKING AND GUYING
 - STAKES: 6' LONG GREEN METAL T-POSTS.
 - GUY AND TIE WIRE: ASTM A 641, CLASS 1, GALVANIZED-STEEL WIRE, 2-STRAND, TWISTED, 0.108 INCH DIAMETER.
 - STRAP CHAFING GUARD: REINFORCED NYLON OR CANVAS AT LEAST 1-1/2 INCH WIDE, WITH GROMMETS TO PROTECT TREE TRUNKS FROM DAMAGE.
- PRE-EMERGENT HERBICIDES: ANY GRANULAR, NON-STAINING PRE-EMERGENT HERBICIDE THAT IS LABELED FOR THE SPECIFIC ORNAMENTAL OR TURF ON WHICH IT WILL BE UTILIZED. PRE-EMERGENT HERBICIDES SHALL BE APPLIED PER THE MANUFACTURER'S LABELED RATES.

METHODS

A. SOIL PREPARATION

- BEFORE STARTING WORK, THE LANDSCAPE CONTRACTOR SHALL VERIFY THAT THE GRADE OF ALL LANDSCAPE AREAS ARE WITHIN +/-0.1' OF FINISH GRADE. THE CONTRACTOR SHALL NOTIFY THE OWNER IMMEDIATELY SHOULD ANY DISCREPANCIES EXIST.
- SOIL TESTING:
 - AFTER FINISH GRADES HAVE BEEN ESTABLISHED, CONTRACTOR SHALL HAVE SOIL SAMPLES FROM THE PROJECT'S LANDSCAPE AREAS TESTED BY AN ESTABLISHED SOIL TESTING LABORATORY. EACH SAMPLE SUBMITTED TO THE LAB SHALL CONTAIN NO LESS THAN ONE QUART OF SOIL TAKEN FROM BETWEEN THE SOIL SURFACE AND 6" DEPTH. IF NO SAMPLE LOCATIONS ARE INDICATED ON THE PLANS, THE CONTRACTOR SHALL TAKE A MINIMUM OF THREE SAMPLES FROM VARIOUS REPRESENTATIVE LOCATIONS FOR TESTING.
 - THE CONTRACTOR SHALL HAVE THE SOIL TESTING LABORATORY PROVIDE RESULTS FOR THE FOLLOWING: SOIL TEXTURAL CLASS, GENERAL SOIL FERTILITY, pH, ORGANIC MATTER CONTENT, SALT (CEC), LIME, SODIUM ADSORPTION RATIO (SAR), AND BORON CONTENT.
 - THE CONTRACTOR SHALL ALSO SUBMIT THE PROJECT'S PLANT LIST TO THE LABORATORY ALONG WITH THE SOIL SAMPLES.
 - THE SOIL REPORT PRODUCED BY THE LABORATORY SHALL CONTAIN RECOMMENDATIONS FOR THE FOLLOWING (AS APPROPRIATE): SEPARATE SOIL PREPARATION AND BACKFILL MIX RECOMMENDATIONS FOR GENERAL ORNAMENTAL PLANTS, XERIC PLANTS, TURF, AND NATIVE SEEDS, AS WELL AS PRE-PLANT FERTILIZER APPLICATIONS AND RECOMMENDATIONS FOR ANY OTHER SOIL RELATED ISSUES. THE REPORT SHALL ALSO PROVIDE A FERTILIZER PROGRAM FOR THE ESTABLISHMENT PERIOD AND FOR LONG-TERM MAINTENANCE.
- THE CONTRACTOR SHALL INSTALL SOIL AMENDMENTS AND FERTILIZERS PER THE SOILS REPORT RECOMMENDATIONS. ANY CHANGE IN COST DUE TO THE SOIL REPORT RECOMMENDATIONS, EITHER INCREASE OR DECREASE, SHALL BE SUBMITTED TO THE OWNER WITH THE REPORT FOR BIDDING PURPOSES ONLY. THE SOIL PREPARATION SHALL CONSIST OF THE FOLLOWING:
 - TREES, SHRUBS, AND PERENNIALS: INCORPORATE THE FOLLOWING AMENDMENTS INTO THE TOP 6" OF SOIL BY MEANS OF ROTOTILLING AFTER CROSS-RIPPING:
 - NITROGEN STABILIZED ORGANIC AMENDMENT - 4 CU. YDS. PER 1,000 S.F.
 - 12-12-12 FERTILIZER (OR SIMILAR ORGANIC, SLOW RELEASE) - 10 LBS. PER CU. YD.
 - "CLAY BUSTER" OR EQUAL - USE MANUFACTURER'S RECOMMENDED RATE (IRON SULPHATE - 2 LBS. PER CU. YD.)
- IN THE CONTEXT OF THESE PLANS, NOTES, AND SPECIFICATIONS, "FINISH GRADE" REFERS TO THE FINAL ELEVATION OF THE SOIL SURFACE (NOT TOP OF MULCH) AS INDICATED ON THE GRADING PLANS.
 - BEFORE STARTING WORK, THE LANDSCAPE CONTRACTOR SHALL VERIFY THAT THE ROUGH GRADES OF ALL LANDSCAPE AREAS ARE WITHIN +/-0.1' OF FINISH GRADE. SEE SPECIFICATIONS FOR MORE DETAILED INSTRUCTION ON TURF AREA AND PLANTING BED PREPARATION.
 - CONSTRUCT AND MAINTAIN FINISH GRADES AS SHOWN ON GRADING PLANS, AND CONSTRUCT AND MAINTAIN SLOPES AS RECOMMENDED BY THE GEOTECHNICAL REPORT. ALL LANDSCAPE AREAS SHALL HAVE POSITIVE DRAINAGE AWAY FROM STRUCTURES AT THE MINIMUM SLOPE SPECIFIED IN THE REPORT AND ON THE GRADING PLANS, AND AREAS OF POTENTIAL PONDING SHALL BE REGRADED TO BLEND IN WITH THE SURROUNDING GRADES AND ELIMINATE PONDING POTENTIAL.
 - THE LANDSCAPE CONTRACTOR SHALL DETERMINE WHETHER OR NOT THE EXPORT OF ANY SOIL WILL BE NEEDED, TAKING INTO ACCOUNT THE ROUGH GRADE PROVIDED, THE AMOUNT OF SOIL AMENDMENTS TO BE ADDED (BASED ON A SOIL TEST, PER SPECIFICATIONS), AND THE FINISH GRADES TO BE ESTABLISHED.
 - ENSURE THAT THE FINISH GRADE IN SHRUB AREAS IMMEDIATELY ADJACENT TO WALKS AND OTHER WALKING SURFACES, AFTER INSTALLING SOIL AMENDMENTS, IS 3" BELOW THE ADJACENT FINISH SURFACE, IN ORDER TO ALLOW FOR PROPER MULCH DEPTH. TAPER THE SOIL SURFACE TO MEET FINISH GRADE, AS SPECIFIED ON THE GRADING PLANS, AT APPROXIMATELY 18" AWAY FROM THE WALKS.
 - SHOULD ANY CONFLICTS AND/OR DISCREPANCIES ARISE BETWEEN THE GRADING PLANS, GEOTECHNICAL REPORT, THESE NOTES AND PLANS, AND ACTUAL CONDITIONS, THE CONTRACTOR SHALL IMMEDIATELY BRING SUCH ITEMS TO THE ATTENTION OF THE LANDSCAPE ARCHITECT, GENERAL CONTRACTOR, AND OWNER.
 - ONCE SOIL PREPARATION IS COMPLETE, THE LANDSCAPE CONTRACTOR SHALL ENSURE THAT THERE ARE NO DEBRIS, TRASH, OR STONES LARGER THAN 1" REMAINING IN THE TOP 6" OF SOIL.

B. SUBMITTALS

- THE CONTRACTOR SHALL PROVIDE SUBMITTALS AND SAMPLES, IF REQUIRED, TO THE LANDSCAPE ARCHITECT, AND RECEIVE APPROVAL IN WRITING FOR SUCH SUBMITTALS BEFORE WORK COMMENCES.
- SUBMITTALS SHALL INCLUDE PHOTOS OF PLANTS WITH A RULER OR MEASURING STICK FOR SCALE, PHOTOS OR SAMPLES OF ANY REQUIRED MULCHES, AND SOIL TEST RESULTS AND PREPARATION RECOMMENDATIONS FROM THE TESTING LAB INCLUDING COMPOST AND FERTILIZER RATES AND TYPES, AND OTHER AMENDMENTS, TREES, SHRUBS, TURF, AND SEEDS THAT MAY BE APPROPRIATE.
- SUBMITTALS SHALL ALSO INCLUDE MANUFACTURER CUT SHEETS FOR PLANTING ACCESSORIES SUCH AS TREE STAKES AND TIES, EDGING, AND LANDSCAPE FABRIC AND OTHER ITEMS.
- WHERE MULTIPLE ITEMS ARE SHOWN ON A PAGE, THE CONTRACTOR SHALL CLEARLY INDICATE THE ITEM BEING CONSIDERED.

C. GENERAL PLANTING

- REMOVE ALL NURSERY TAGS AND STAKES FROM PLANTS.
- EXCEPT IN AREAS TO BE PLANTED WITH ORNAMENTAL GRASSES, APPLY PRE-EMERGENT HERBICIDES AT THE MANUFACTURER'S RECOMMENDED RATE.
- TRENCHING NEAR EXISTING TREES:
 - CONTRACTOR SHALL NOT DISTURB ROOTS 1-1/2" AND LARGER IN DIAMETER WITHIN THE CRITICAL ROOT ZONE (CRZ) OF EXISTING TREES, AND SHALL EXERCISE ALL POSSIBLE CARE AND PRECAUTIONS TO AVOID INJURY TO TREE ROOTS, TRUNKS, AND BRANCHES. THE CRZ IS DEFINED AS A CIRCULAR AREA EXTENDING OUTWARD FROM THE TREE TRUNK, WITH A RADIUS EQUAL TO 1" FOR EVERY 1" OF TRUNK DIAMETER-AT-BREAST-HEIGHT (4.5 ABOVE THE AVERAGE GRADE AT THE TRUNK).
 - ALL EXCAVATION WITHIN THE CRZ SHALL BE PERFORMED USING HAND TOOLS. NO MACHINE EXCAVATION OR TRENCHING OF ANY KIND SHALL BE ALLOWED WITHIN THE CRZ.
 - ALTER ALIGNMENT OF PIPE TO AVOID TREE ROOTS 1-1/2" AND LARGER IN DIAMETER. WHERE TREE ROOTS 1-1/2" AND LARGER IN DIAMETER ARE ENCOUNTERED IN THE FIELD, TUNNEL UNDER SUCH ROOTS. WRAPE EXPOSED ROOTS WITH SEVERAL LAYERS OF BURLAP AND KEEP MOIST. CLOSE ALL TRENCHES WITHIN THE CANOPY DRIP LINES WITHIN 24 HOURS.
 - ALL SEVERED ROOTS SHALL BE HAND PRUNED WITH SHARP TOOLS AND ALLOWED TO AIR-DRY. DO NOT USE ANY SORT OF SEALERS OR WOUND PAINTS.

D. TREE PLANTING

- TREE PLANTING HOLES SHALL BE EXCAVATED TO MINIMUM WIDTH OF TWO TIMES THE WIDTH OF THE ROOTBALL AND TO A DEPTH EQUAL TO THE DEPTH OF THE ROOTBALL LESS TWO TO FOUR INCHES. SCARIFY THE SIDES AND BOTTOM OF THE PLANTING HOLE PRIOR TO THE PLACEMENT OF THE TREE. REMOVE ANY GLAZING THAT MAY HAVE BEEN CAUSED DURING THE EXCAVATION OF THE HOLE.
- FOR CONTAINERS AND BURLAPPED TREES, TO REMOVE ANY POTENTIALLY GIRDLING ROOTS AND OTHER ROOT DEFECTS, THE CONTRACTOR SHALL SHAVE A 1" LAYER OFF OF THE SIDES AND BOTTOM OF THE ROOTBALL OF ALL TREES JUST BEFORE PLACING INTO THE PLANTING PIT. DO NOT "TEASE" ROOTS CUT FROM THE ROOTBALL.
- INSTALL THE TREE ON UNDISTURBED SUBGRADE SO THAT THE TOP OF THE ROOTBALL IS TWO TO FOUR INCHES ABOVE THE SURROUNDING GRADE.
- BACKFILL THE TREE HOLE UTILIZING THE EXISTING TOPSOIL FROM ON-SITE. ROCKS LARGER THAN 1" DIA. AND ALL OTHER DEBRIS SHALL BE REMOVED FROM THE SOIL PRIOR TO THE BACKFILL. SHOULD ADDITIONAL SOIL BE REQUIRED TO ACCOMPLISH THIS TASK, USE STORED TOPSOIL FROM ON-SITE OR IMPORT ADDITIONAL TOPSOIL FROM OFF-SITE AT NO ADDITIONAL COST TO THE OWNER. IMPORTED TOPSOIL SHALL BE OF SIMILAR TEXTURAL CLASS AND COMPOSITION TO THE ON-SITE SOIL.
- TREES SHALL NOT BE STAKED UNLESS LOCAL CONDITIONS (SUCH AS HEAVY WINDS OR SLOPES) REQUIRE STAKES TO KEEP TREES UPRIGHT. SHOULD STAKING BE REQUIRED, THE TOTAL NUMBER OF TREE STAKES SHOULD BE THE MINIMUM LISTED BELOW. STAKES WILL BE LEFT TO THE CONTRACTOR'S DISCRETION. SHOULD ANY TREES FALL OR LEAN, THE LANDSCAPE CONTRACTOR SHALL STRAIGHTEN THE TREE, OR REPLACE IT SHOULD IT BECOME DAMAGED. TREE STAKING SHALL ADHERE TO THE FOLLOWING GUIDELINES:
 - 1"-2" TREES: TWO STAKES PER TREE
 - 2-1/2"-4" TREES: THREE STAKES PER TREE
 - TREES OVER 4" CALIPER: GUY AS NEEDED
 - MULTI-TRUNK TREES: THREE STAKES PER TREE MINIMUM, QUANTITY AND POSITIONS AS NEEDED TO STABILIZE THE TREE
- ON COMPLETION OF PLANTING, CONSTRUCT AN EARTH WATERING BASIN AROUND THE TREE. COVER THE INTERIOR OF THE TREE RING WITH THE WEED BARRIER CLOTH AND TOPDRESS WITH MULCH (TYPE AND DEPTH PER PLANS).

E. SHRUB, PERENNIAL, AND GROUNDCOVER PLANTING

- DIG THE PLANTING HOLES TWICE AS WIDE AND 2" LESS DEEP THAN EACH PLANT'S ROOTBALL. INSTALL THE PLANT IN THE HOLE. BACKFILL AROUND THE PLANT WITH MULCH PER PLAN.
- INSTALL THE WEED BARRIER CLOTH, OVERLAPPING IT AT THE ENDS. UTILIZE STEEL STAPLES TO KEEP THE WEED BARRIER CLOTH IN PLACE.
- WHEN PLANTING IS COMPLETE, INSTALL MULCH (TYPE AND DEPTH PER PLANS) OVER ALL PLANTING BEDS, COVERING THE ENTIRE PLANTING AREA.

F. MULCH

- INSTALL MULCH TOPDRESSING, TYPE AND DEPTH PER MULCH NOTE, IN ALL PLANTING AREAS AND TREE RINGS.
- DO NOT INSTALL MULCH WITHIN 6" OF TREE ROOT FLARE AND WITHIN 24" OF HABITABLE STRUCTURES, EXCEPT AS MAY BE NOTED ON THESE PLANS. MULCH COVERED 6" OF CONCRETE WALKS AND CURBS SHALL NOT PROTRUDE ABOVE THE FINISH SURFACE OF THE WALKS AND CURBS. MULCH COVER WITHIN 12" OF WALLS SHALL BE AT LEAST 3" LOWER THAN THE TOP OF WALL.

G. CLEAN UP

- DURING LANDSCAPE PREPARATION AND PLANTING, KEEP ALL PAVEMENT CLEAN AND ALL WORK AREAS IN A NEAT, ORDERLY CONDITION.
- DISPOSED LEGALLY ALL EXCAVATED MATERIALS OFF THE PROJECT SITE.

H. INSPECTION AND ACCEPTANCE

- UPON COMPLETION OF THE WORK, THE LANDSCAPE CONTRACTOR SHALL PROVIDE THE SITE CLEAN, FREE OF DEBRIS AND TRASH, AND SUITABLE FOR USE AS INTENDED. THE LANDSCAPE CONTRACTOR SHALL THEN REQUEST AN INSPECTION BY THE OWNER TO DETERMINE FINAL ACCEPTABILITY.
- WHEN THE INSPECTED PLANTING WORK DOES NOT COMPLY WITH THE CONTRACT DOCUMENTS, THE LANDSCAPE CONTRACTOR SHALL REPAIR AND/OR REPLACE THE REJECTED WORK TO THE OWNER'S SATISFACTION WITHIN 24 HOURS.
- THE LANDSCAPE MAINTENANCE PERIOD WILL NOT COMMENCE UNTIL THE LANDSCAPE WORK HAS BEEN INSPECTED BY THE OWNER AND FOUND TO BE ACCEPTABLE. AT THAT TIME, A WRITTEN NOTICE OF FINAL ACCEPTANCE WILL BE ISSUED BY THE OWNER, AND THE MAINTENANCE AND GUARANTEE PERIODS WILL COMMENCE.

I. LANDSCAPE MAINTENANCE

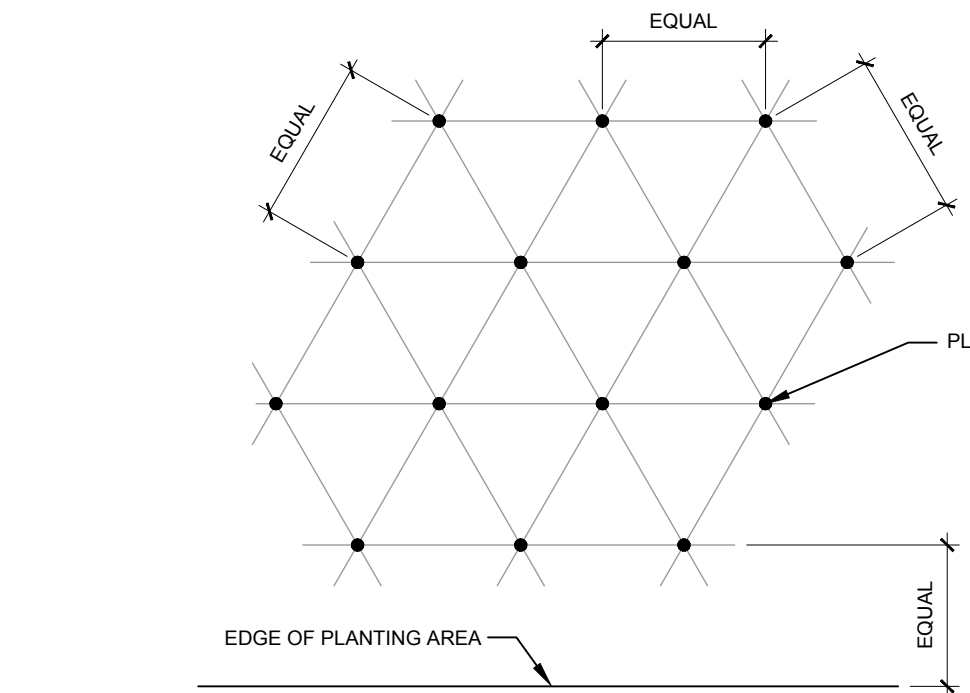
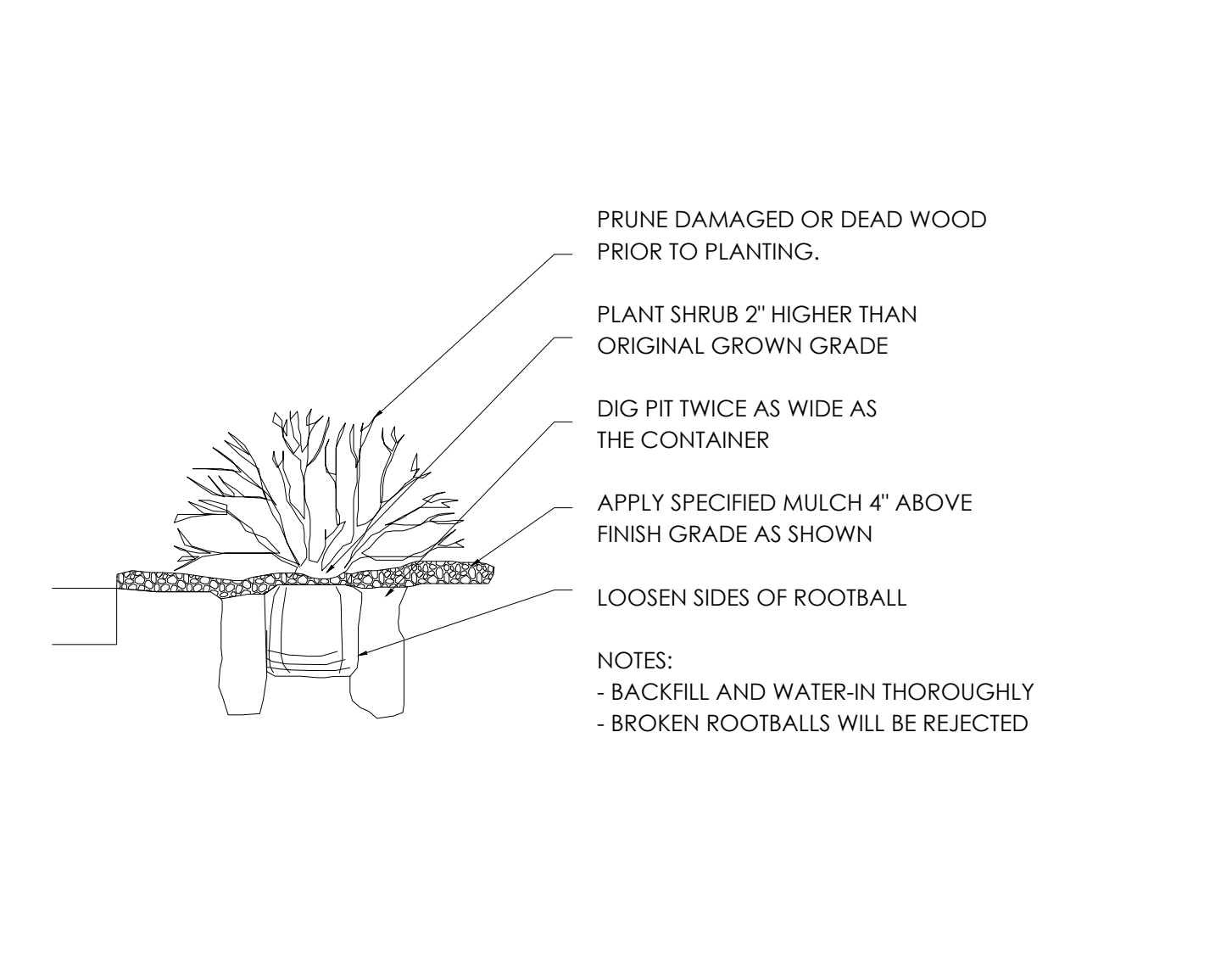
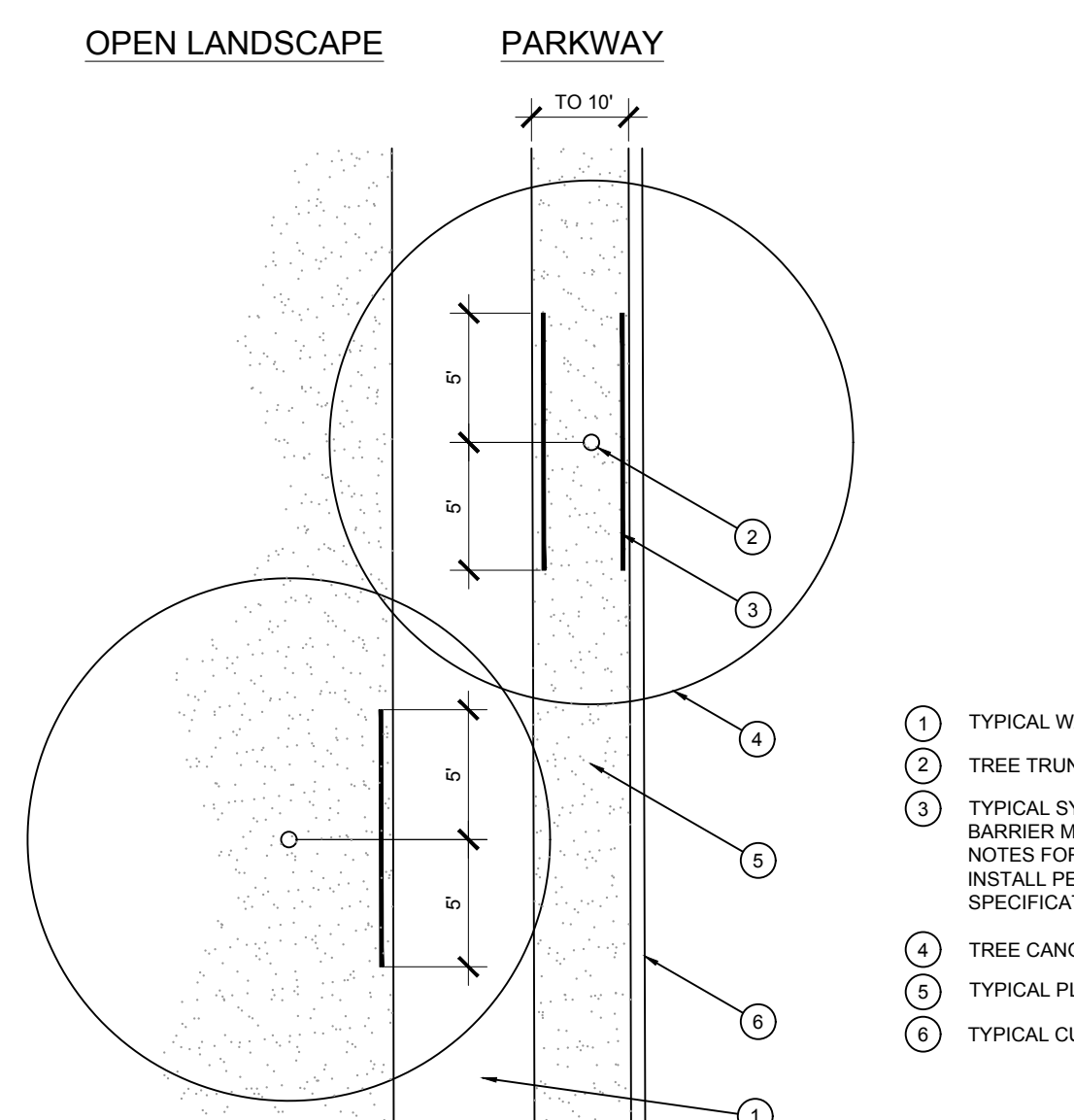
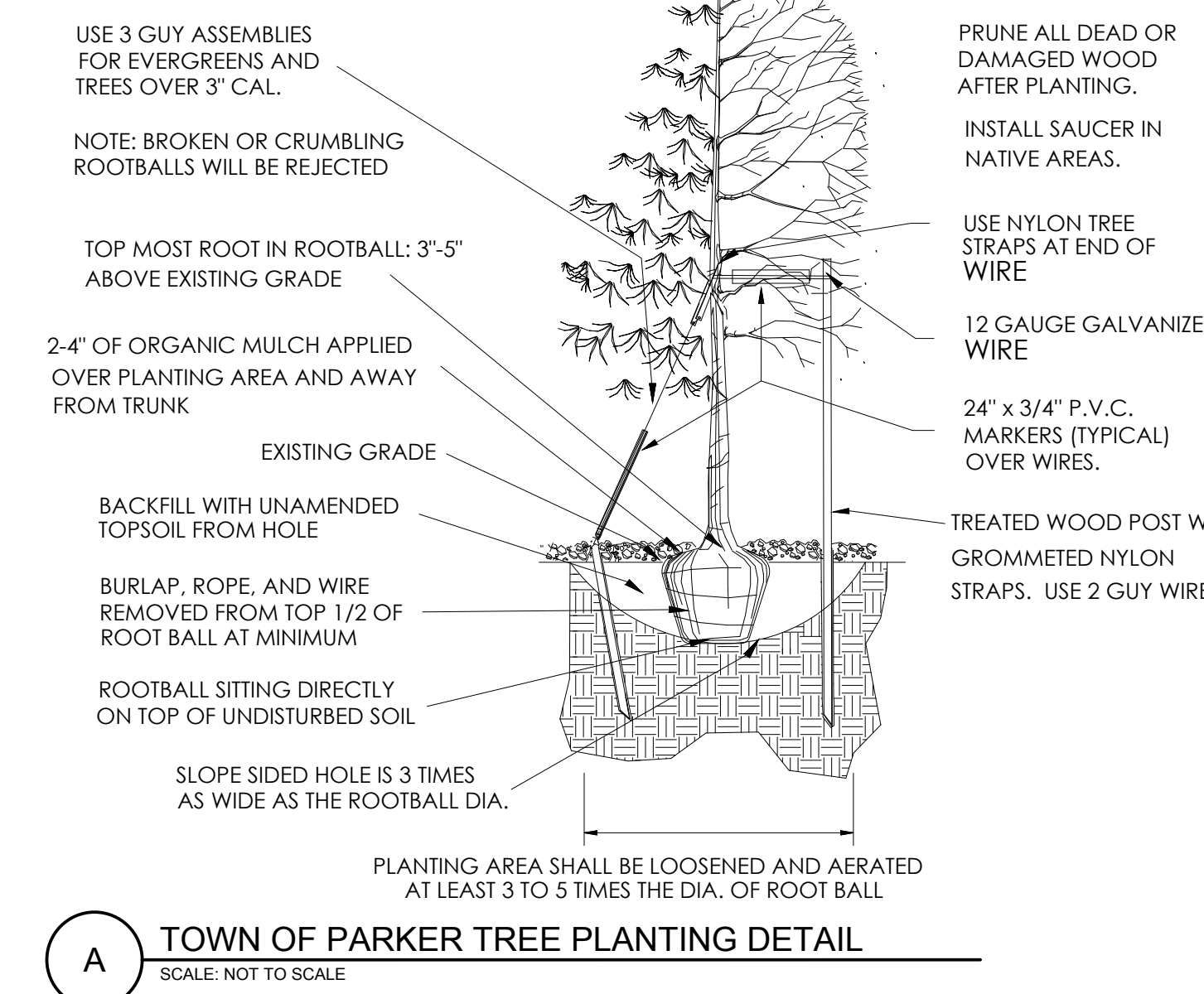
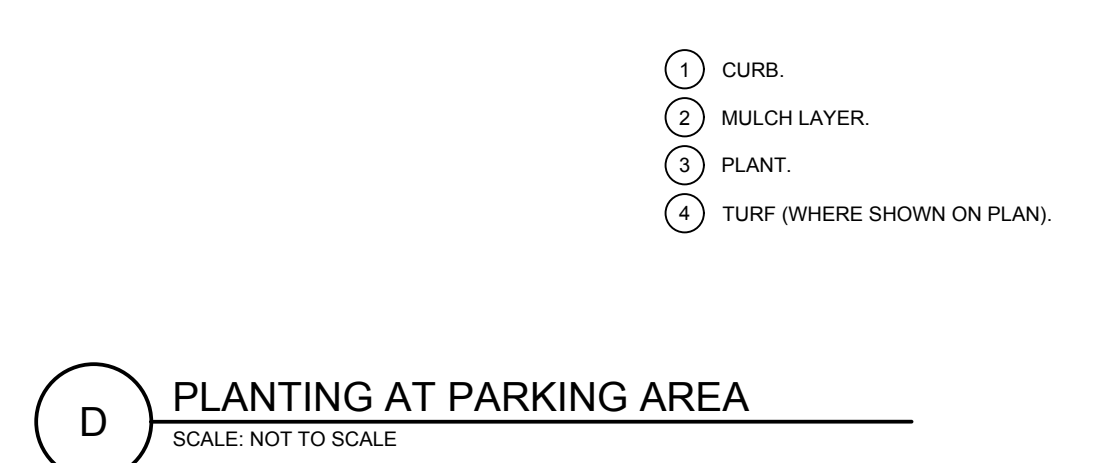
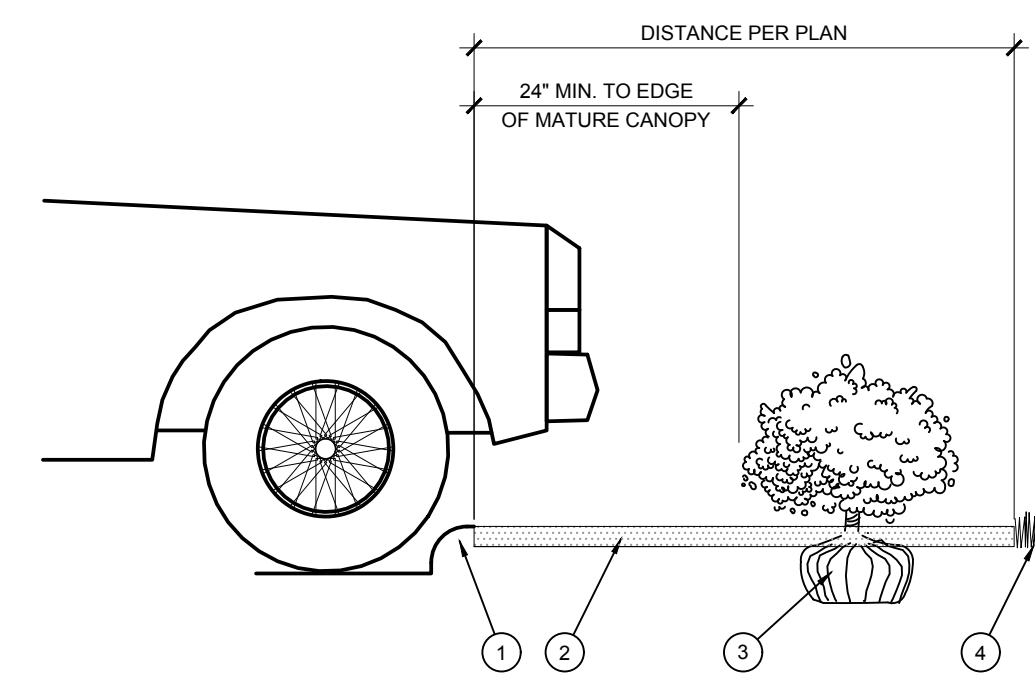
- THE LANDSCAPE CONTRACTOR SHALL BE RESPONSIBLE FOR THE MAINTENANCE OF ALL WORK SHOWN ON THESE PLANS FOR 90 DAYS BEYOND FINAL ACCEPTANCE OF ALL LANDSCAPE WORK BY THE OWNER. LANDSCAPE MAINTENANCE SHALL INCLUDE WEEKLY SITE VISITS FOR THE FOLLOWING ACTIONS (AS APPROPRIATE): PROPER PRUNING, RESTING OF TREES, RESETTling OF PLANTS THAT HAVE SETTLED, WEEDING, TREATING FOR INSECTS AND DISEASES, REPLACEMENT OF MULCH, REMOVAL OF LITTER, REPAIRS TO THE IRRIGATION SYSTEM DUE TO FAULTY PARTS AND/OR WORKMANSHIP, AND THE APPROPRIATE WATERING OF ALL PLANTINGS. THE LANDSCAPE CONTRACTOR SHALL MAINTAIN THE IRRIGATION SYSTEM IN PROPER WORKING ORDER, WITH SCHEDULING ADJUSTMENTS BY SEASON TO MAXIMIZE WATER CONSERVATION.
- TO ACHIEVE FINAL ACCEPTANCE AT THE END OF THE MAINTENANCE PERIOD, ONE OF THE FOLLOWING CONDITIONS MUST OCCUR:
 - THE LANDSCAPE SHALL SHOW ACTIVE, HEALTHY GROWTH (WITH EXCEPTIONS MADE FOR SEASONAL DORMANCY). ALL PLANTS NOT MEETING THIS CRITERIA SHALL BE REJECTED AND REPLACED BY HEALTHY PLANT MATERIAL PRIOR TO FINAL ACCEPTANCE.
 - ALL HARDSCAPE SHALL BE CLEANED PRIOR TO FINAL ACCEPTANCE.

J. WARRANTY PERIOD, PLANT GUARANTEE, AND REPLACEMENTS

- THE LANDSCAPE CONTRACTOR SHALL GUARANTEE ALL TREES, SHRUBS, PERENNIALS, AND IRRIGATION SYSTEMS FOR A PERIOD OF ONE YEAR FROM THE DATE OF THE OWNER'S FINAL ACCEPTANCE (90 DAYS FOR ANNUAL PLANTS). THE CONTRACTOR SHALL BE RESPONSIBLE FOR THE REPLACEMENT OF ANY PLANTING TO THE SATISFACTION OF THE OWNER, ANY PLANTS WHICH DIE IN THAT TIME, OR REPAIR ANY PORTIONS OF THE IRRIGATION SYSTEM WHICH OPERATE IMPROPERLY.
- AFTER THE INITIAL MAINTENANCE PERIOD AND DURING THE GUARANTEE PERIOD, THE LANDSCAPE CONTRACTOR SHALL ONLY BE RESPONSIBLE FOR REPLACEMENT OF PLANTS WHEN PLANT DEATH CANNOT BE ATTRIBUTED DIRECTLY TO OVERWATERING OR OTHER DAMAGE BY HUMAN ACTIONS.
- PROVIDE A MINIMUM OF (2) COPIES OF RECORD DRAWINGS TO THE OWNER. THE CONTRACTOR SHALL DOCUMENT THROUGH CHANGE ORDERS, ADDENDA, OR CONTRACTOR/CONSULTANT DRAWING MARKUPS.

GENERAL GRADING AND PLANTING NOTES

- BY SUBMITTING A PROPOSAL FOR THE LANDSCAPE PLANTING SCOPE OF WORK, THE CONTRACTOR CONFIRMS THAT HE HAS READ, AND WILL COMPLY WITH, THE ASSOCIATED NOTES, SPECIFICATIONS, AND DETAILS WITH THIS PROJECT.
- THE GENERAL CONTRACTOR IS RESPONSIBLE FOR REMOVING ALL EXISTING VEGETATION (EXCEPT WHERE NOTED TO REMAIN).
- IN THE CONTEXT OF THESE PLANS, NOTES, AND SPECIFICATIONS, "FINISH GRADE" REFERS TO THE FINAL ELEVATION OF THE SOIL SURFACE (NOT TOP OF MULCH) AS INDICATED ON THE GRADING PLANS.
 - BEFORE STARTING WORK, THE LANDSCAPE CONTRACTOR SHALL VERIFY THAT THE ROUGH GRADES OF ALL LANDSCAPE AREAS ARE WITHIN +/-0.1' OF FINISH GRADE. SEE SPECIFICATIONS FOR MORE DETAILED INSTRUCTION ON TURF AREA AND PLANTING BED PREPARATION.
 - CONSTRUCT AND MAINTAIN FINISH GRADES AS SHOWN ON GRADING PLANS, AND CONSTRUCT AND MAINTAIN SLOPES AS RECOMMENDED BY THE GEOTECHNICAL REPORT. ALL LANDSCAPE AREAS SHALL HAVE POSITIVE DRAINAGE AWAY FROM STRUCTURES AT THE MINIMUM SLOPE SPECIFIED IN THE REPORT AND ON THE GRADING PLANS, AND AREAS OF POTENTIAL PONDING SHALL BE REGRADED TO BLEND IN WITH THE SURROUNDING GRADES AND ELIMINATE PONDING POTENTIAL.
 - THE LANDSCAPE CONTRACTOR SHALL DETERMINE WHETHER OR NOT THE EXPORT OF ANY SOIL WILL BE NEEDED, TAKING INTO ACCOUNT THE ROUGH GRADE PROVIDED, THE AMOUNT OF SOIL AMENDMENTS TO BE ADDED (BASED ON A SOIL TEST, PER SPECIFICATIONS), AND THE FINISH GRADES TO BE ESTABLISHED. ENSURE THAT THE FINISH GRADE IN SHRUB AREAS IMMEDIATELY ADJACENT TO WALKS AND OTHER WALKING SURFACES, AFTER INSTALLING SOIL AMENDMENTS, IS 3" BELOW THE ADJACENT FINISH SURFACE, IN ORDER TO ALLOW FOR PROPER MULCH DEPTH. TAPER THE SOIL SURFACE TO MEET FINISH GRADE, AS SPECIFIED ON THE GRADING PLANS, AT APPROXIMATELY 18" AWAY FROM THE WALKS.
 - SHOULD ANY CONFLICTS AND/OR DISCREPANCIES ARISE BETWEEN THE GRADING PLANS, GEOTECHNICAL REPORT, THESE NOTES AND PLANS, AND ACTUAL CONDITIONS, THE CONTRACTOR SHALL IMMEDIATELY BRING SUCH ITEMS TO THE ATTENTION OF THE LANDSCAPE ARCHITECT, GENERAL CONTRACTOR, AND OWNER.
- ALL PLANT LOCATIONS ARE DIAGRAMMATIC. ACTUAL LOCATIONS SHALL BE VERIFIED WITH THE LANDSCAPE ARCHITECT OR DESIGNER PRIOR TO PLANTING. THE LANDSCAPE ARCHITECT SHALL ENSURE ON THE PLANS, AND THE LANDSCAPE CONTRACTOR SHALL ENSURE IN THE FIELD, THAT ALL REQUIREMENTS OF THE PERMITTING AUTHORITY ARE MET (I.E., MINIMUM PLANT QUANTITIES, PLANTING METHODS, TREE PROTECTION METHODS, ETC.).
 - THE TOWN-APPROVED LANDSCAPE PLAN IS FINAL, AND NOT CONCEPTUAL. IN THE EVENT OF A DISCREPANCY BETWEEN THE PLAN AND THE PLANT LEGEND, THE PLANT QUANTITY AS SHOWN ON THE PLAN (FOR INDIVIDUAL SYMBOLS) OR CALLOUT (FOR GROUNDCOVER PATTERNS) SHALL TAKE PRECEDENCE.
 - NO SUBSTITUTIONS OF PLANT MATERIALS SHALL BE ALLOWED WITHOUT THE WRITTEN PERMISSION OF THE LANDSCAPE ARCHITECT. ANY PROPOSED CHANGES, MODIFICATIONS, AND/OR SUBSTITUTIONS REQUIRE PRIOR TOWN APPROVAL VIA THE APPROPRIATE PROCESS THROUGH THE PLANNING DEPARTMENT. IF SOME OF THE PLANTS ARE NOT AVAILABLE, THE LANDSCAPE CONTRACTOR SHALL NOTIFY THE LANDSCAPE ARCHITECT IN WRITING (VA PROPER CHANNELS).
 - THE CONTRACTOR SHALL, AT A MINIMUM, PROVIDE REPRESENTATIVE PHOTOS OF ALL PLANTS PROPOSED FOR THE PROJECT. THE CONTRACTOR SHALL ALLOW THE LANDSCAPE ARCHITECT AND THE OWNER/OWNER'S REPRESENTATIVE TO INSPECT, AND APPROVE OR REJECT, ALL PLANTS DELIVERED TO THE JOBSITE. REFER TO SPECIFICATIONS FOR ADDITIONAL REQUIREMENTS FOR SUBMITTALS.
- THE CONTRACTOR SHALL MAINTAIN THE LANDSCAPE IN A HEALTHY CONDITION FOR 90 DAYS AFTER ACCEPTANCE BY THE OWNER. REFER TO SPECIFICATIONS FOR CONDITIONS OF ACCEPTANCE FOR THE START OF THE MAINTENANCE PERIOD, AND FOR FINAL ACCEPTANCE AT THE END OF THE MAINTENANCE PERIOD.
- SEE SPECIFICATIONS AND DETAILS FOR FURTHER REQUIREMENTS.



NOTE: ALL PLANTS SHALL BE PLANTED AT EQUAL TRIANGULAR SPACING (EXCEPT WHERE SHOWN ON PLANS AS INFORMAL GROUPINGS). REFER TO PLANT LEGEND FOR SPACING DISTANCE BETWEEN PLANTS.

1) STEP 1: DETERMINE TOTAL PLANTS FOR THE AREA WITH THE FOLLOWING FORMULA:
 TOTAL AREA / AREA DIVIDER = TOTAL PLANTS

PLANT SPACING	AREA DIVIDER	PLANT SPACING	AREA DIVIDER
18"	0.22	18"	1.95
8"	0.39	24"	3.46
10"	0.60	30"	5.41
12"	0.87	36"	7.79
15"	1.35		

2) STEP 2: SUBTRACT THE ROW (S) OF PLANTS THAT WOULD OCCUR AT THE EDGE OF THE PLANTED AREA WITH THE FOLLOWING FORMULA: TOTAL PERIMETER LENGTH / PLANT SPACING = TOTAL PLANT SUBTRACTION

EXAMPLE: PLANTS AT 18" O.C. IN 100 SF PLANTING AREA, 40 LF PERIMETER
 STEP 1: 100 SF / 0.22 = 454 PLANTS
 STEP 2: 51 PLANTS - (40 LF / 1.95 = 21 PLANTS) = 30 PLANTS TOTAL

C PLANT SPACING
SCALE: NTS

DATE				
BY				
REVISION				
NO.				

EVERGREEN DESIGN GROUP

(800) 680-6630
 1755 Tebbel Dr., Suite 300
 Colorado Springs, CO 80920
 www.EvergreenDesignGroup.com

EES
 ENTERTAINMENT AND
 ENGINEERING
 SOLUTIONS, INC.

501 S Cherry St., Suite 300
 Glendale, CO 80246
 303-572-7957 www.ees.us.com

Life Changing Chickens
SLIM CHICKENS
 Chicken tenders - Buffalo Wings - Sandwiches - Salads - Wraps

PROJECT NO: TSD003.01
 DESIGNED BY: LML
 DRAWN BY: LML
 DATE: 06/15/2020

L-2

CALL UTILITY NOTIFICATION
 CENTER OF COLORADO

1-800-922-1987 or 811

CALL 3 BUSINESS DAYS (NOT INCLUDING INITIAL DAY OF CONTACT) IN ADVANCE BEFORE YOU DIG, GRADE, OR EXCAVATE FOR THE MARKING OF UNDERGROUND MEMBER UTILITIES.

Know what's below. Call before you dig.

LAWRENCE M. LESSER
 188
 01/04/2008
 State of Colorado
 LICENSED LANDSCAPE ARCHITECT
 6/25/2021

EXTERIOR FINISH LEGEND (X-X)

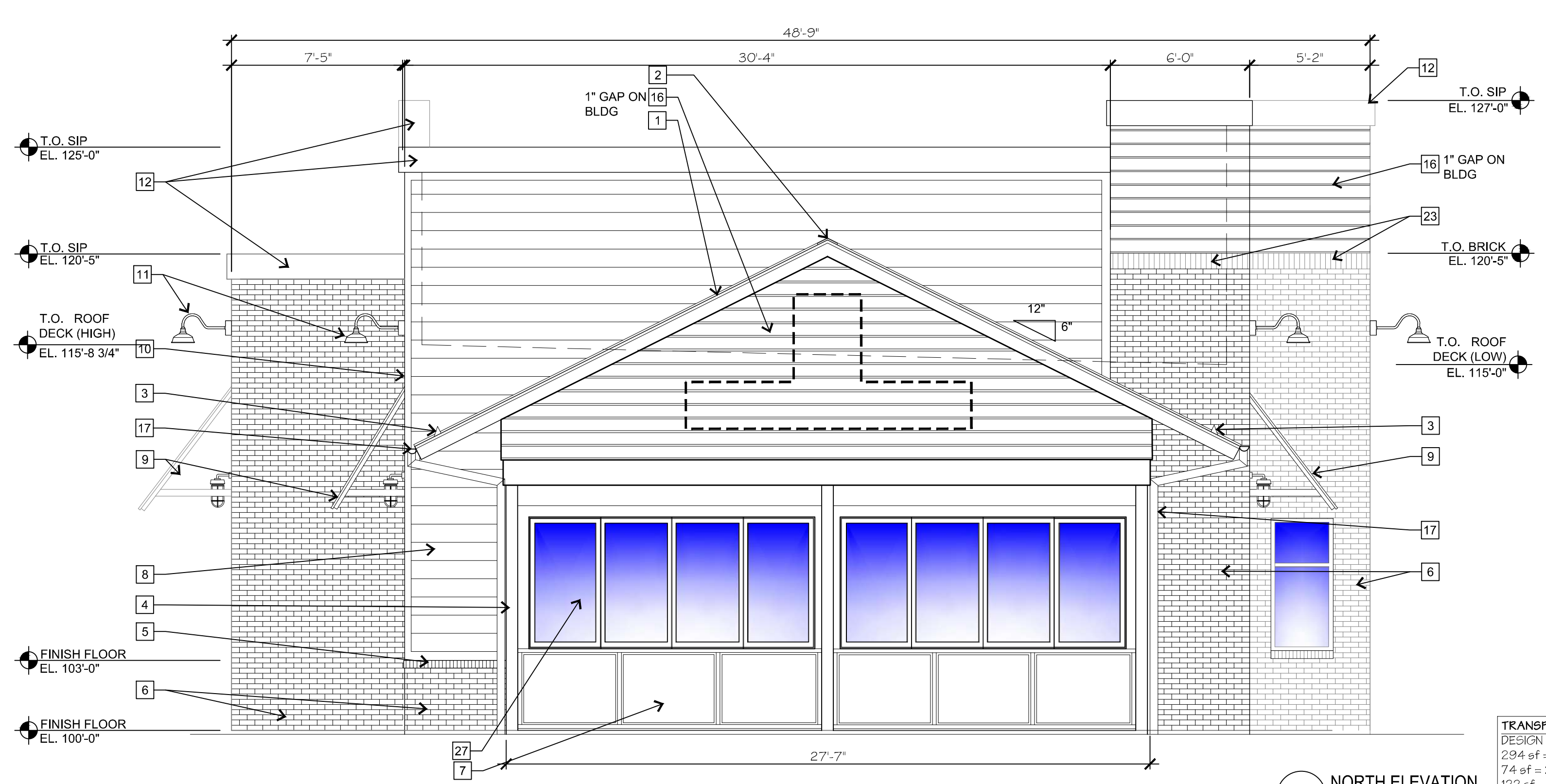
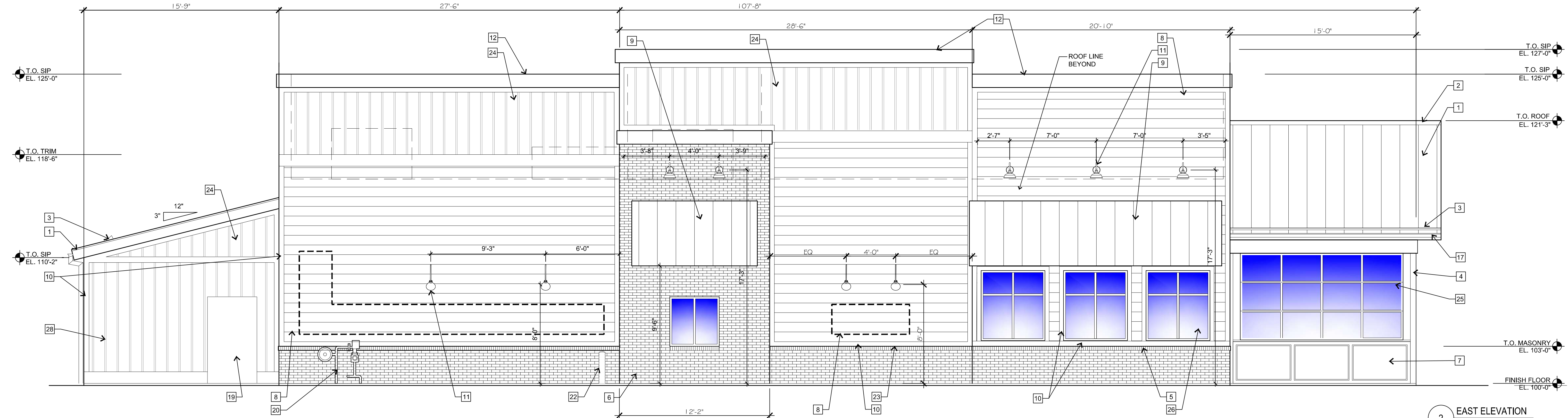
KEY	MATERIAL	MANUFACTURER	FINISH/STYLE	SPECIFICATIONS	LOCATION	MATERIAL NOTES
BR-1	BRICK	GENERAL SHALE	WATERTON	RUNNING BOND - ROWLOCK SILL	EXTERIOR WALLS	
CD-1	COMPOSITE DECKING BOARDS	ENVISION	2" X 6" NOMINAL BOARDS W/ SQUARE EDGES	WEATHERED WOOD	PATIO SIGNAGE / DUMPSTER ENCLOSURE	1" GAPS BETWEEN BOARDS - FASTENED PER MFR RECOMMENDATIONS
FRP-1	FIBERGLASS REINFORCED PANEL	MARLITE OR APPROVED EQUAL	P100 WHITE	CLEAR	BACK OF HOUSE	PROVIDE MANUFACTURERS STANDARD PVC CORNER GUARDS. INSTALL ABOVE BASE.
MT-1	GALVALUME R-PANELS	METAL SALES MANUFACTURING CORP.	CLEAR	26 GAUGE	AWNINGS AND PATIO ROOF	
MT-2	PRE-FINISHED METAL COPING	FIRESTONE	UNA-CLAD / CLEAR ANODIZED KYNAR 500 FINISH	.05" GAUGE	COPINGS	
MT-3	GALVALUME COPING	METAL SALES MANUFACTURING CORP.	CLEAR	---	COPINGS AT DUMPSTER ENCLOSURE	
MT-4	PRE-FINISHED METAL COPING	FIRESTONE	UNA-EDGE DE / CLEAR ANODIZED KYNAR 500 FINISH	.05" GAUGE	COPING AT DRIVE-THRU	
P-1	PAINT	SHERWIN WILLIAMS	A-100 / SATIN	SW 7005 - PURE WHITE	EXTERIOR FIBER CEMENT BOARD TRIM	
P-4	PRIMER	SHERWIN WILLIAMS	QUICK DRY STAIN BLOCKING PRIMER	---	EXTERIOR FIBER CEMENT BOARD TRIM	
P-4	PAINT	SHERWIN WILLIAMS	A-100 / SATIN	SEE FINISH NOTE 2	EXTERIOR WOOD / FIBER CEMENT LAP SIDING / DUMPSTER ENCLOSURE STEEL POSTS AND CMU	
	PRIMER	SHERWIN WILLIAMS	QUICK DRY STAIN BLOCKING PRIMER	BASE: TINT 50%	EXTERIOR WOOD / FIBER CEMENT LAP SIDING	
	PRIMER	SHERWIN WILLIAMS	LOXON BLOCK SURFACER	BASE: TINT 50%	DUMPSTER ENCLOSURE CMU	
	PRIMER	SHERWIN WILLIAMS	PRO-CRYL UNIVERSAL PRIMER / OFF-WHITE	BASE: TINT 50%	DUMPSTER ENCLOSURE STEEL POSTS	
P-5	PAINT	SHERWIN WILLIAMS	DTM ACRYLIC / ULTRADEEP / SEMI-GLOSS	SW 6258 - TRICORN BLACK	HM DOORS & FRAMES	
	PRIMER	SHERWIN WILLIAMS	PRO-CRYL UNIVERSAL PRIMER / OFF-WHITE	BASE: TINT 50%	---	
P-6	PAINT	SHERWIN WILLIAMS	DTM ACRYLIC / SAFETY YELLOW / GLOSS	SW 4084 - SAFETY YELLOW	BOLLARDS	
	PRIMER	SHERWIN WILLIAMS	PRO-CRYL UNIVERSAL PRIMER / OFF-WHITE	BASE: TINT 50%	---	
P-7	PAINT	SHERWIN WILLIAMS	SATIN	MATCH BENJAMIN MOORE HC-169	FIBER CEMENT SIDING PANELS	
P-8	PAINT	SHERWIN WILLIAMS	SATIN	MATCH BM 1183 SEMINOLE BROWN	GAS METER	

KEY NOTES (X)

- R-PANEL SEAM METAL ROOF W/ 12" O.C. RIBS (MT-1)
- RIDGE CAP
- CONTINUOUS ALUMINUM SNOW GUARD
- STEEL POST, RE: STRUCT
- ROWLOCK BRICK SILL (BR-1)
- BRICK - RUNNING BOND
- NON-ILLUMINATED FROSTED TRANSLUCENT PANEL
- 8" EXPOSED FIBER CEMENT BOARD LAP SIDING (P-4)
- METAL AWNING (MT-1)
- FIBER CEMENT BOARD TRIM, TYP (P-1)
- EXTERIOR LIGHTING FIXTURE, RE: ELEC.
- PRE-FINISHED METAL COPING (MT-2)
- KNOX BOX
- FIRE DEPARTMENT CONNECTION
- WALL MOUNTED TVS ABOVE WINDOWS RE: SPECS

GENERAL NOTES

- SIGNAGE COMPANY TO PERMIT THE LARGEST POSSIBLE SIGNAGE. COORDINATE WITH A.H.J.
- FINISH NOTES**
- ALL MATERIAL SUBSTITUTIONS PROPOSED BY GENERAL CONTRACTORS MUST HAVE CORPORATE APPROVAL PRIOR TO SUBMISSION OF PROPOSAL. CONTRACTORS SUBMITTING PROPOSALS WITH MATERIALS OTHER THAN THOSE LISTED ABOVE DO SO AT THEIR OWN RISK.
 - FORMULA FOR ST-1:
1 GALLON FORMULA (TO MATCH HC-168 CHELSEA GRAY)
B1 - 18
N1 - 11
R2 - 1
Y3 - 7
W1 - 2Y
 - ALL CAULK/SEALANT USED IN PROJECT TO EXHIBIT COLOR THAT MATCHES ADJACENT FINISHES.



P:\SLIM CHICKENS\31802 - SC PARKER (PARKER & PINE)\HISTORY\01 SITE PLAN SUBMITTALS\2021-04-22 4TH SUBMITTAL\WORKING FILES\P4_L_EXTERIOR_ELEVATIONS.DWG

811 CALL UTILITY NOTIFICATION CENTER OF COLORADO
1-800-922-1987 or 811
CALL 3-BUSINESS DAYS (NOT INCLUDING INITIAL DAY OF CONTACT) IN ADVANCE BEFORE YOU DIG, GRADE, OR EXCAVATE FOR THE MARKING OF UNDERGROUND MEMBER UTILITIES.

DATE	BY	REVISION
6/19/2020		
02/25/2021		
03/26/2021		

EES ENVIRONMENTAL AND ENGINEERING SOLUTIONS, INC.
501 S Cherry St, Suite 300
Denver, CO 80246
303-572-7997 www.ees.us.com

SLIM CHICKENS
Life Changing Chicken
Chicken Tenders - Buffalo Wings - Sandwiches - Salads - Wraps

SITE PLAN
SLIM CHICKENS
SVC OF S. PARKER ROAD AND E. PINE LANE, PARKER, CO 80134
BUILDING ELEVATIONS

PROJECT NO:	TSD003.01
DESIGNED BY:	BH
DRAWN BY:	TS
DATE:	03/26/2021

P4.0

EXTERIOR FINISH LEGEND (X-X)

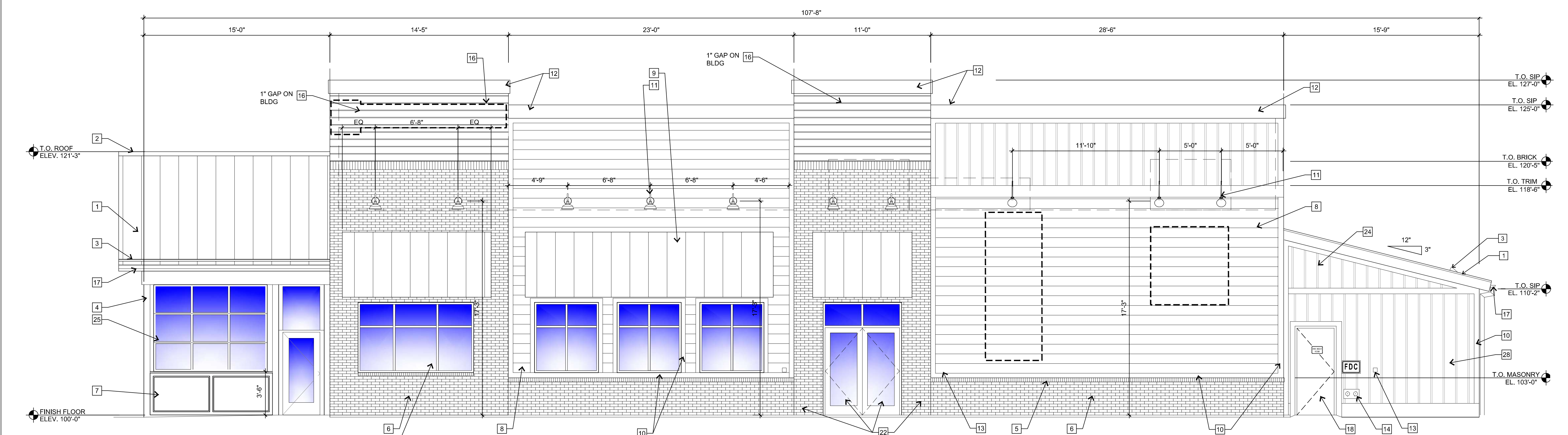
KEY	MATERIAL	MANUFACTURER	FINISH/STYLE	SPECIFICATIONS	LOCATION	MATERIAL NOTES
BR-1	BRICK	GENERAL SHALE	WATERTON	RUNNING BOND - ROWLOCK SILL	EXTERIOR WALLS	
CD-1	COMPOSITE DECKING BOARDS	ENVISION	2" X 6" NOMINAL BOARDS W/ SQUARE EDGES	WEATHERED WOOD	PATIO SIGNAGE / DUMPSTER ENCLOSURE	1" GAPS BETWEEN BOARDS - FASTENED PER MFR RECOMMENDATIONS
FRP-1	FIBERGLASS REINFORCED PANEL	MARLITE OR APPROVED EQUAL	P100 WHITE	---	BACK OF HOUSE	PROVIDE MANUFACTURERS STANDARD PVC CORNER GUARDS, INSTALL ABOVE BASE.
MT-1	GALVALUME R-PANELS	METAL SALES MANUFACTURING CORP.	CLEAR	26 GAUGE	AWNINGS AND PATIO ROOF	---
MT-2	PRE-FINISHED METAL COPING	FIRESTONE	UNA-CLAD / CLEAR ANODIZED KYNAR 500 FINISH	.05" GAUGE	COPINGS	---
MT-3	GALVALUME COPING	METAL SALES MANUFACTURING CORP.	CLEAR	---	COPINGS AT DUMPSTER ENCLOSURE	---
MT-4	PRE-FINISHED METAL COPING	FIRESTONE	UNA-EDGE DE / CLEAR ANODIZED KYNAR 500 FINISH	.05" GAUGE	COPING AT DRIVE-THRU	---
P-1	PAINT	SHERWIN WILLIAMS	A-100 / SATIN	SW 7005 - PURE WHITE	EXTERIOR FIBER CEMENT BOARD TRIM	---
P-2	PRIMER	SHERWIN WILLIAMS	QUICK DRY STAIN BLOCKING PRIMER	---	EXTERIOR FIBER CEMENT BOARD TRIM	---
P-3	PRIMER	SHERWIN WILLIAMS	QUICK DRY STAIN BLOCKING PRIMER	BASE: TINT 50%	EXTERIOR WOOD / FIBER CEMENT LAP SIDING / DUMPSTER ENCLOSURE STEEL POSTS AND CMU	---
P-4	PAINT	SHERWIN WILLIAMS	A-100 / SATIN	SEE FINISH NOTE 2	EXTERIOR WOOD / FIBER CEMENT LAP SIDING	---
P-5	PRIMER	SHERWIN WILLIAMS	QUICK DRY STAIN BLOCKING PRIMER	BASE: TINT 50%	DUMPSTER ENCLOSURE CMU	---
P-6	PRIMER	SHERWIN WILLIAMS	PRO-CRYL UNIVERSAL PRIMER / OFF-WHITE	BASE: TINT 50%	DUMPSTER ENCLOSURE STEEL POSTS	---
P-7	PRIMER	SHERWIN WILLIAMS	PRO-CRYL UNIVERSAL PRIMER / OFF-WHITE	BASE: TINT 50%	HM DOORS & FRAMES	---
P-8	PRIMER	SHERWIN WILLIAMS	DTM ACRYLIC / SAFETY YELLOW / GLOSS	SW 4084 - SAFETY YELLOW	BOLLARDS	---
P-9	PRIMER	SHERWIN WILLIAMS	PRO-CRYL UNIVERSAL PRIMER / OFF-WHITE	BASE: TINT 50%	---	---
P-10	PRIMER	SHERWIN WILLIAMS	PRO-CRYL UNIVERSAL PRIMER / OFF-WHITE	BASE: TINT 50%	---	---
P-11	PRIMER	SHERWIN WILLIAMS	PRO-CRYL UNIVERSAL PRIMER / OFF-WHITE	BASE: TINT 50%	---	---
P-12	PRIMER	SHERWIN WILLIAMS	PRO-CRYL UNIVERSAL PRIMER / OFF-WHITE	BASE: TINT 50%	---	---
P-13	PRIMER	SHERWIN WILLIAMS	PRO-CRYL UNIVERSAL PRIMER / OFF-WHITE	BASE: TINT 50%	---	---
P-14	PRIMER	SHERWIN WILLIAMS	PRO-CRYL UNIVERSAL PRIMER / OFF-WHITE	BASE: TINT 50%	---	---
P-15	PRIMER	SHERWIN WILLIAMS	PRO-CRYL UNIVERSAL PRIMER / OFF-WHITE	BASE: TINT 50%	---	---
P-16	PRIMER	SHERWIN WILLIAMS	PRO-CRYL UNIVERSAL PRIMER / OFF-WHITE	BASE: TINT 50%	---	---
P-17	PRIMER	SHERWIN WILLIAMS	PRO-CRYL UNIVERSAL PRIMER / OFF-WHITE	BASE: TINT 50%	---	---
P-18	PRIMER	SHERWIN WILLIAMS	PRO-CRYL UNIVERSAL PRIMER / OFF-WHITE	BASE: TINT 50%	---	---
P-19	PRIMER	SHERWIN WILLIAMS	PRO-CRYL UNIVERSAL PRIMER / OFF-WHITE	BASE: TINT 50%	---	---
P-20	PRIMER	SHERWIN WILLIAMS	PRO-CRYL UNIVERSAL PRIMER / OFF-WHITE	BASE: TINT 50%	---	---
P-21	PRIMER	SHERWIN WILLIAMS	PRO-CRYL UNIVERSAL PRIMER / OFF-WHITE	BASE: TINT 50%	---	---
P-22	PRIMER	SHERWIN WILLIAMS	PRO-CRYL UNIVERSAL PRIMER / OFF-WHITE	BASE: TINT 50%	---	---
P-23	PRIMER	SHERWIN WILLIAMS	PRO-CRYL UNIVERSAL PRIMER / OFF-WHITE	BASE: TINT 50%	---	---
P-24	PRIMER	SHERWIN WILLIAMS	PRO-CRYL UNIVERSAL PRIMER / OFF-WHITE	BASE: TINT 50%	---	---
P-25	PRIMER	SHERWIN WILLIAMS	PRO-CRYL UNIVERSAL PRIMER / OFF-WHITE	BASE: TINT 50%	---	---
P-26	PRIMER	SHERWIN WILLIAMS	PRO-CRYL UNIVERSAL PRIMER / OFF-WHITE	BASE: TINT 50%	---	---
P-27	PRIMER	SHERWIN WILLIAMS	PRO-CRYL UNIVERSAL PRIMER / OFF-WHITE	BASE: TINT 50%	---	---
P-28	PRIMER	SHERWIN WILLIAMS	PRO-CRYL UNIVERSAL PRIMER / OFF-WHITE	BASE: TINT 50%	---	---

KEY NOTES (X)

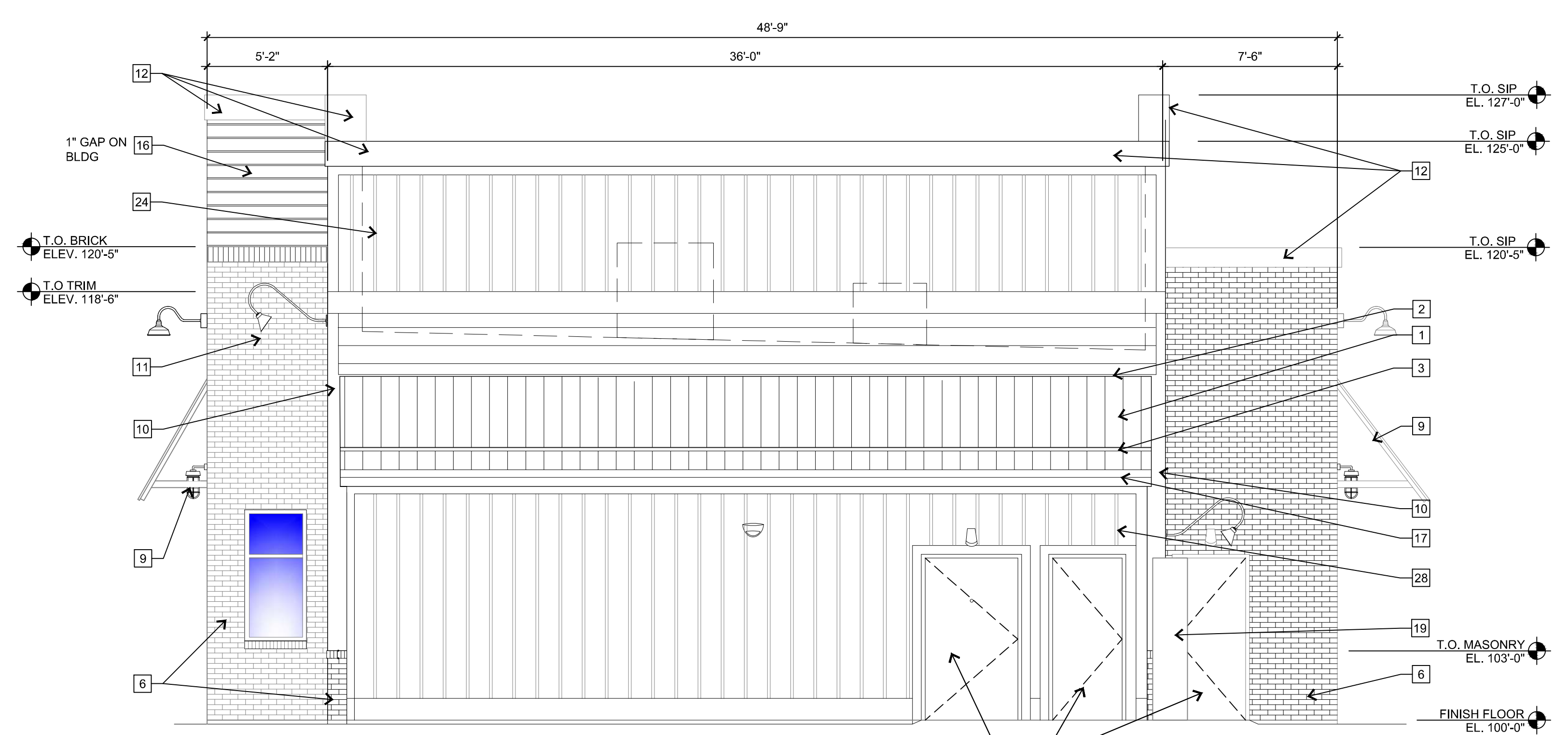
- R-PANEL SEAM METAL ROOF W/ 12" O.C. RIBS (MT-1)
- RIDGE CAP
- CONTINUOUS ALUMINUM SNOW GUARD
- STEEL POST, RE. STRUCT
- ROWLOCK BRICK SILL (BR-1)
- BRICK - RUNNING BOND
- NON-ILLUMINATED FROSTED TRANSLUCENT PANEL
- 8" EXPOSED FIBER CEMENT BOARD LAP SIDING (P-4)
- METAL AWNING (MT-1)
- FIBER CEMENT BOARD TRIM, TYP (P-1)
- EXTERIOR LIGHTING FIXTURE, RE. ELEC.
- PREFINISHED METAL COPING (MT-2)
- KNOX BOX
- FIRE DEPARTMENT CONNECTION
- WALL MOUNTED TVS ABOVE WINDOWS RE: SPECS
- COMPOSITE DECKING BOARD WITH 1" GAP OVER PAINTED EXTERIOR SHEATHING (CD-1)
- 5" HALF ROUND GALVANIZED METAL GUTTER & 4" ROUND DOWNSPOUTS TYP.
- HOLLOW METAL DOOR AND FRAME. PAINT (P-5)
- ELECTRIC PANELS (P-4)
- GAS METER (P-8)
- ROOF DRAIN OUTLET, RE: ROOF PLAN
- BOLLARDS, RE: CIVIL (P-6)
- SOLDIER BRICK (BR-1)
- 16" O.C. FIBER CEMENT BOARD & BATTEN SIDING (P-7)
- O.H. DOOR, RE: SCHEDULE
- ALUMINUM STOREFRONT
- BI-FOLD WINDOWS
- 16" O.C. FIBER CEMENT BOARD & BATTEN SIDING (P-4)

GENERAL NOTES

- SIGNAGE COMPANY TO PERMIT THE LARGEST POSSIBLE SIGNAGE. COORDINATE WITH AHJ.
- FINISH NOTES**
- ALL MATERIAL SUBSTITUTIONS PROPOSED BY GENERAL CONTRACTORS MUST HAVE CORPORATE APPROVAL PRIOR TO SUBMISSION OF PROPOSAL. CONTRACTORS SUBMITTING PROPOSALS WITH MATERIALS OTHER THAN THOSE LISTED ABOVE DO SO AT THEIR OWN RISK.
 - FORMULA FOR ST-1:
1 GALLON FORMULA (TO MATCH HC-168 CHELSEA GRAY)
B1 - 18
N1 - 11
R2 - 7
Y3 - 7
W1 - 2Y
 - ALL CAULK/SEALANT USED IN PROJECT TO EXHIBIT COLOR THAT MATCHES ADJACENT FINISHES.



1 WEST ELEVATION
SCALE: 1/4" = 1'-0"



2 SOUTH ELEVATION
SCALE: 1/4" = 1'-0"

TRANSPARENCY ZONE (FRONT)
DESIGN GUIDELINES CH. TO A.2.2.1.1 30% TRANSPARENCY
6'46" of = TRANSPARENCY ZONE
19'4" of = 30% REQUIRED TRANSPARENCY
2'36" of = PROVIDED TRANSPARENCY

TRANSPARENCY ZONE (SIDE)
(NOT APPLICABLE TO THIS ELEVATION)
(BUILDING FACADE DOES NOT FACE PUBLIC STREET OR OPEN SPACE)

P:\SLIM CHICKENS\31802 - SC PARKER (PARKER & PINE)\HISTORY\01 SITE PLAN SUBMITTALS\2021-03-26-3RD SUBMITTAL\WORKING FILES\P4_L_EXTERIOR_ELEVATIONS.DWG

811 CALL UTILITY NOTIFICATION CENTER OF COLORADO
1-800-922-1987 or 811
CALL 3-BUSINESS DAYS (NOT INCLUDING INITIAL DAY OF CONTACT) IN ADVANCE BEFORE YOU DIG, GRADE, OR EXCAVATE FOR THE MARKING OF UNDERGROUND MEMBER UTILITIES.

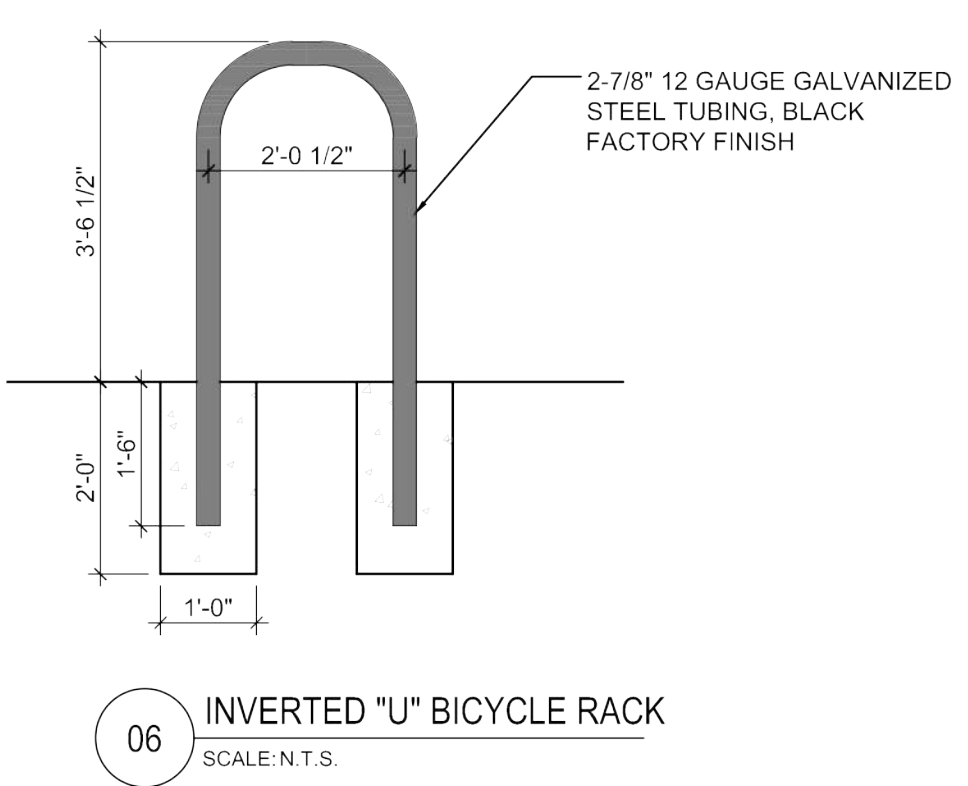
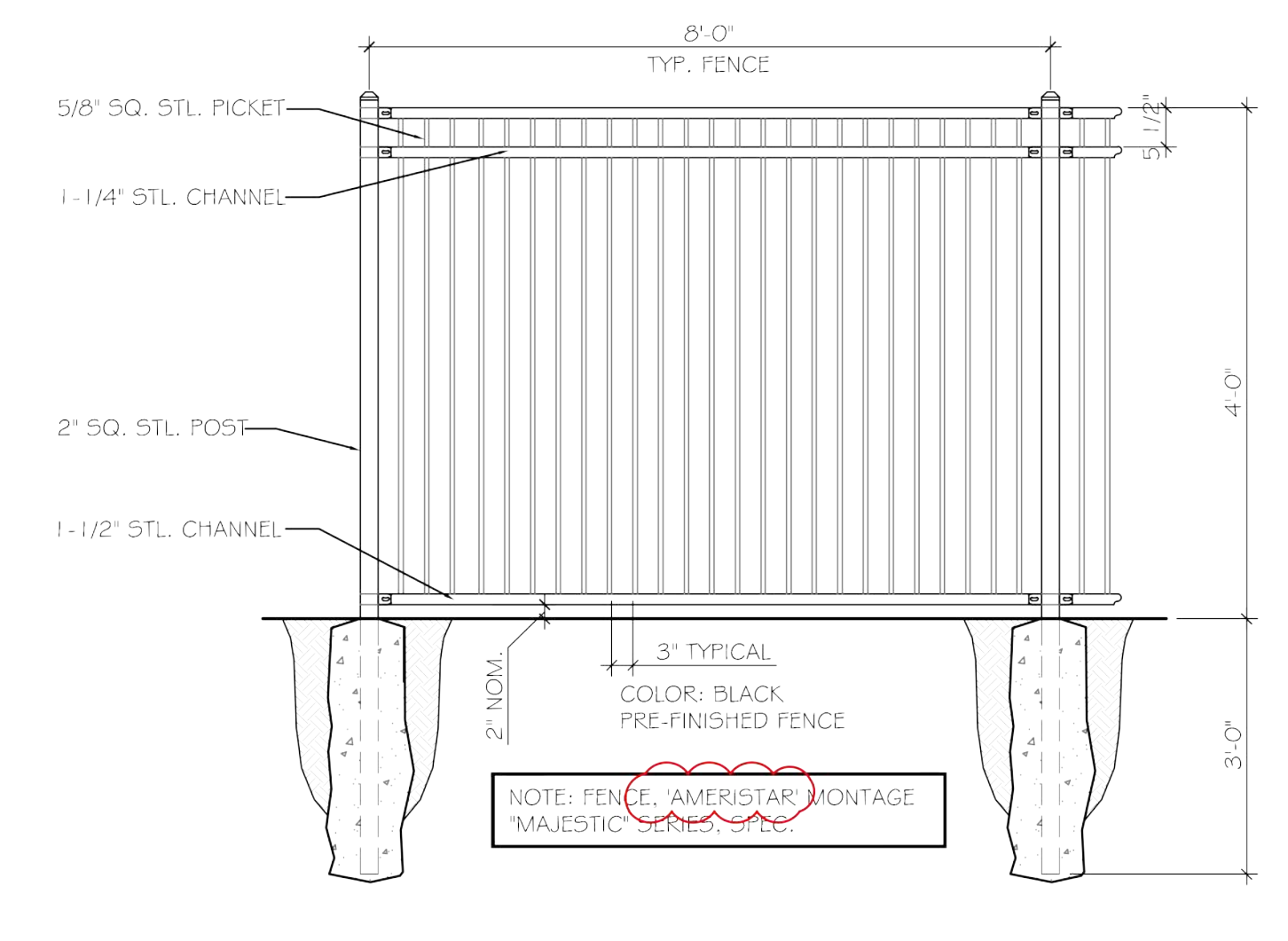
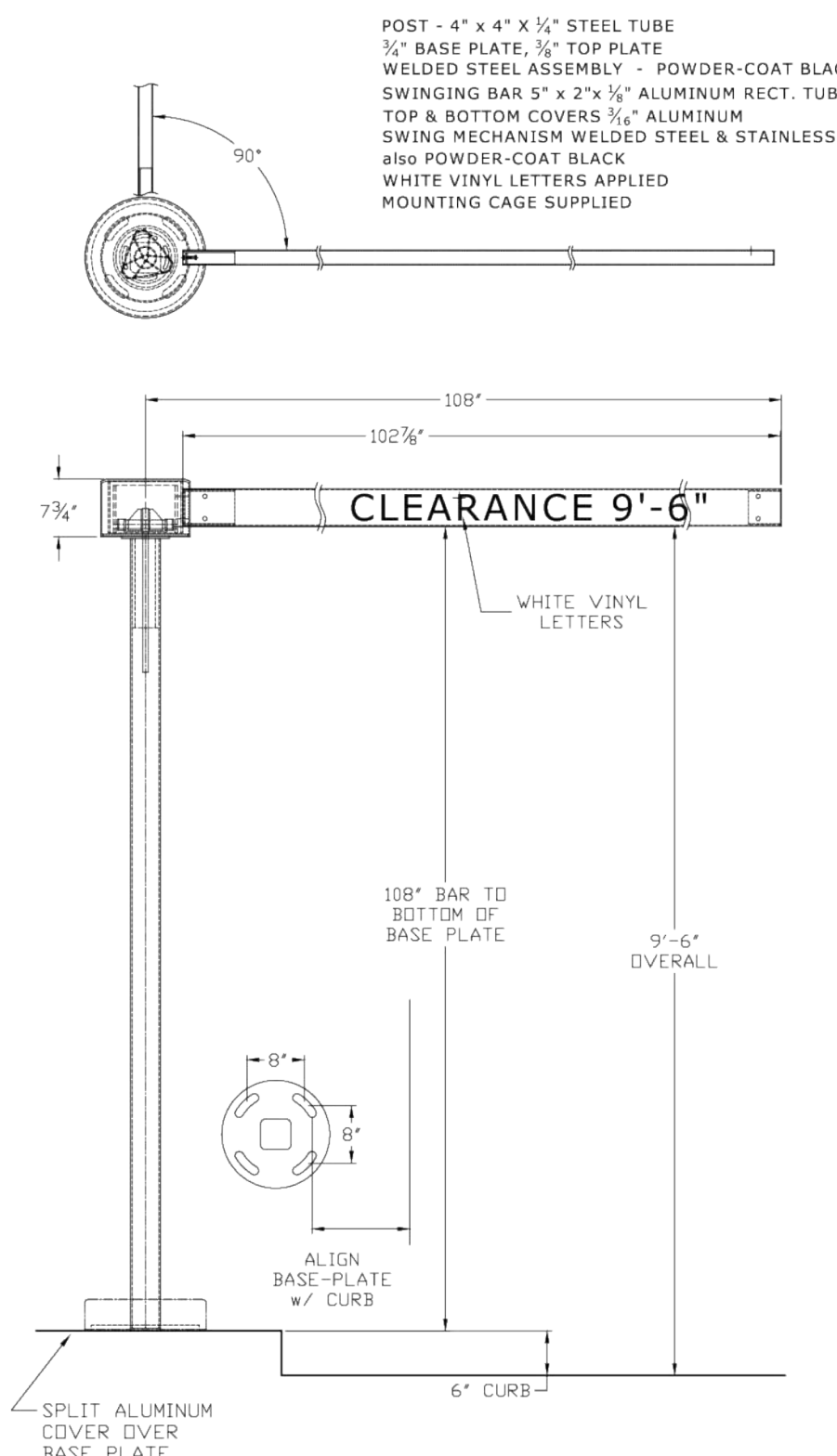
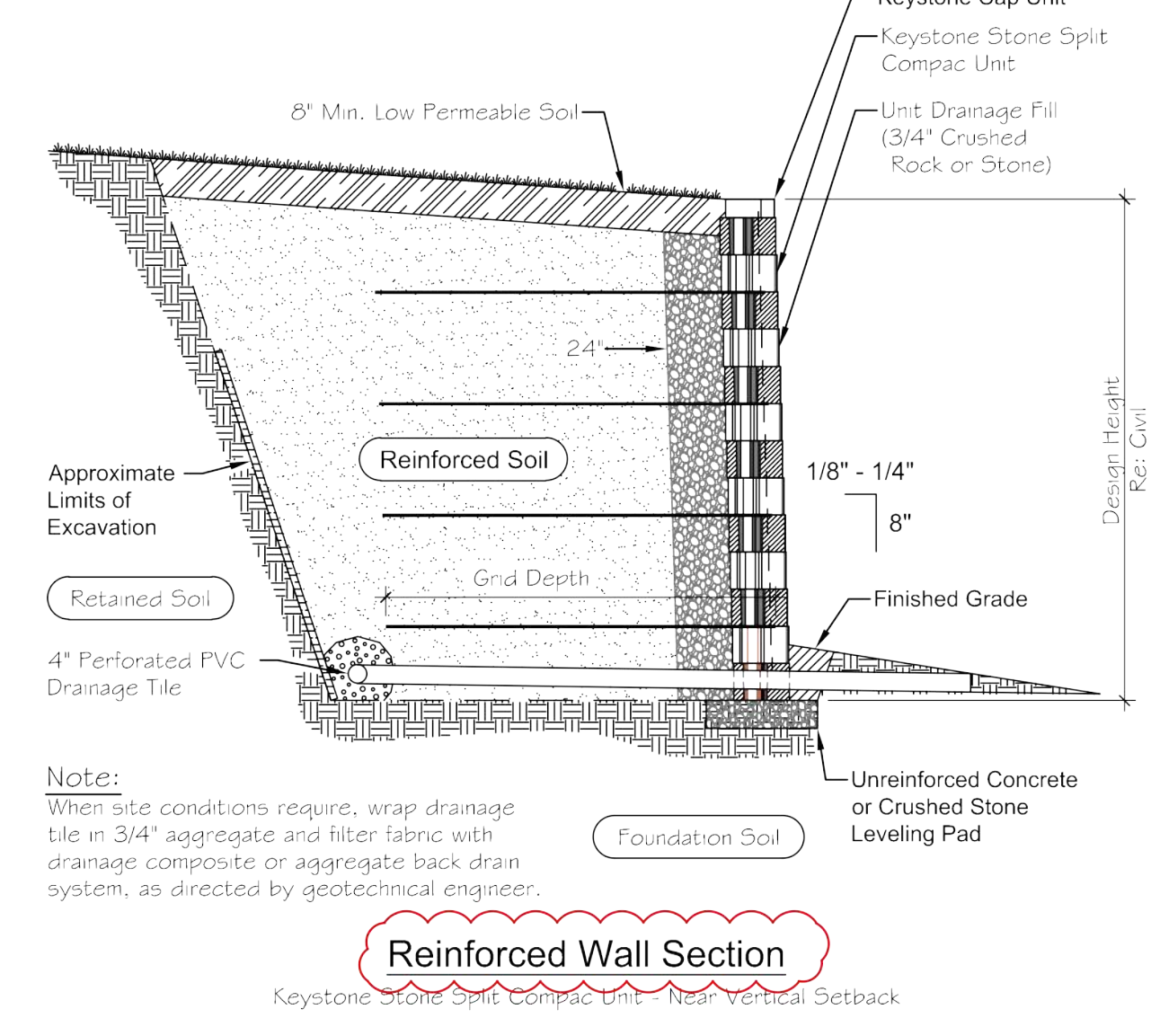
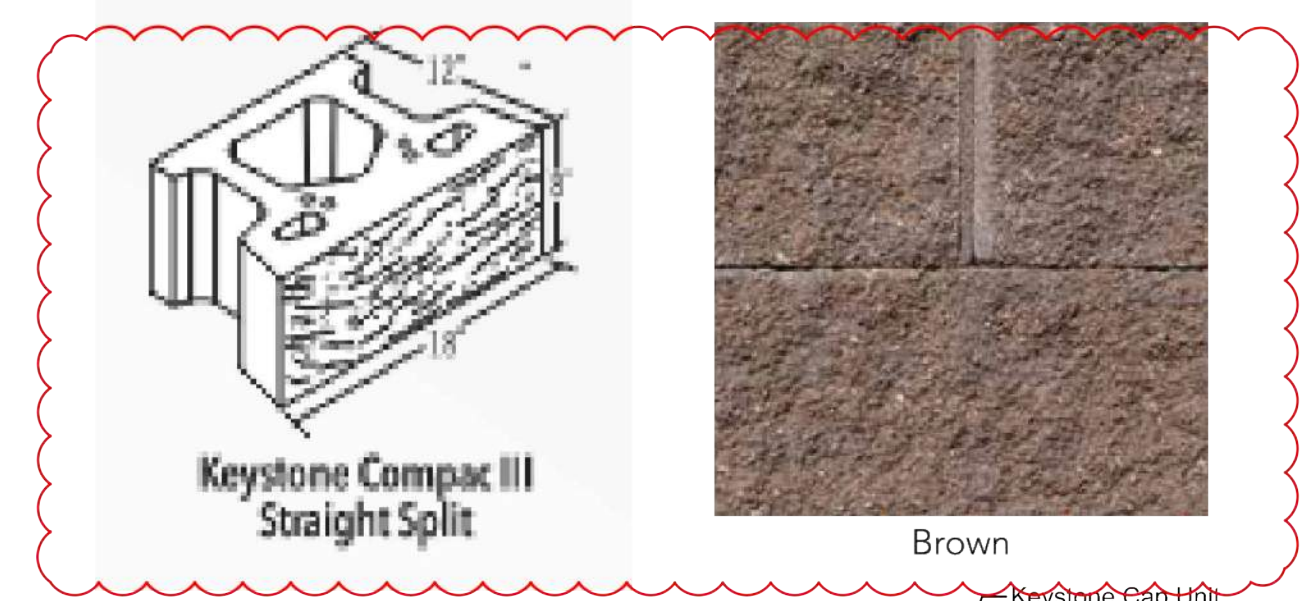
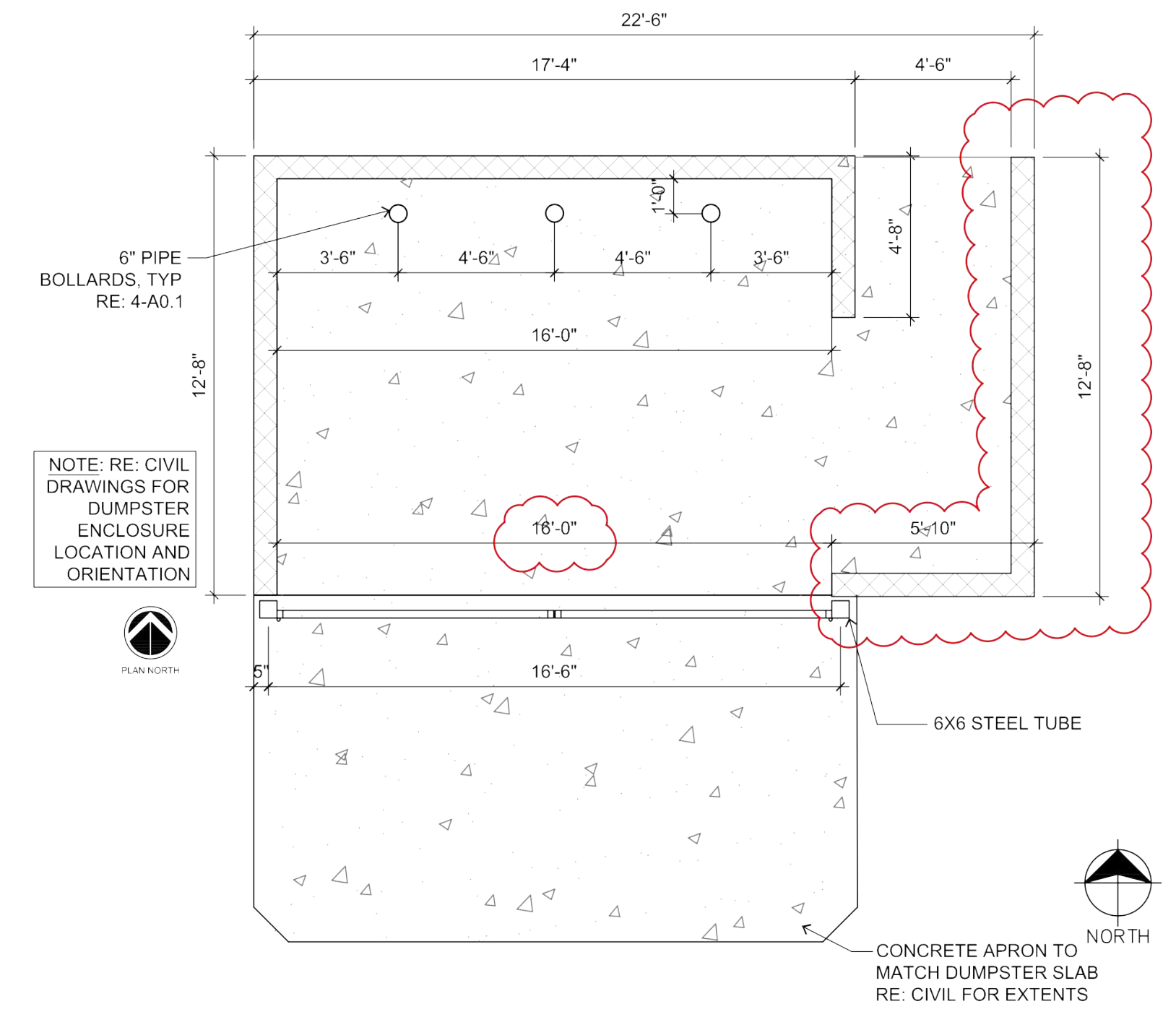
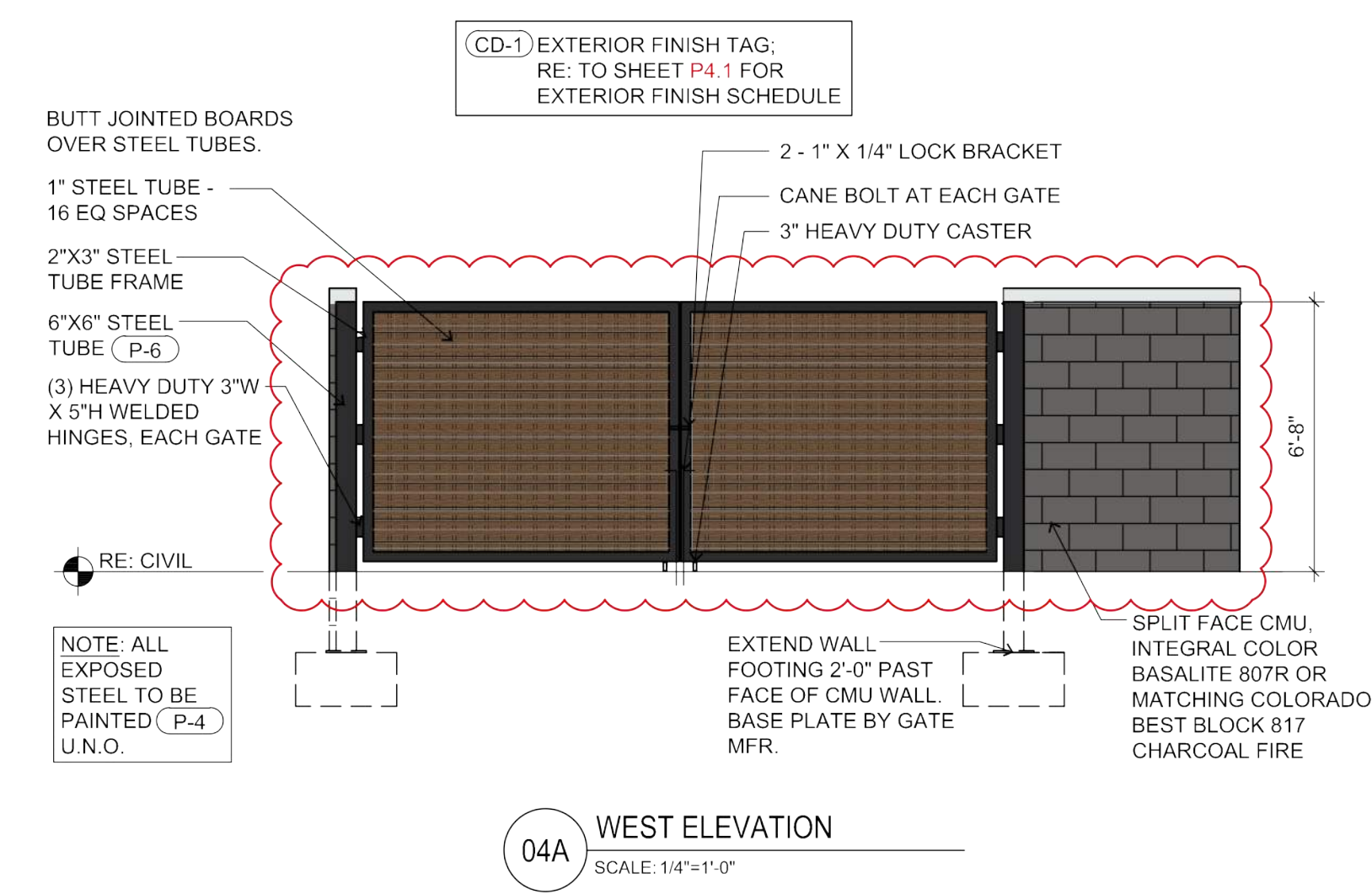
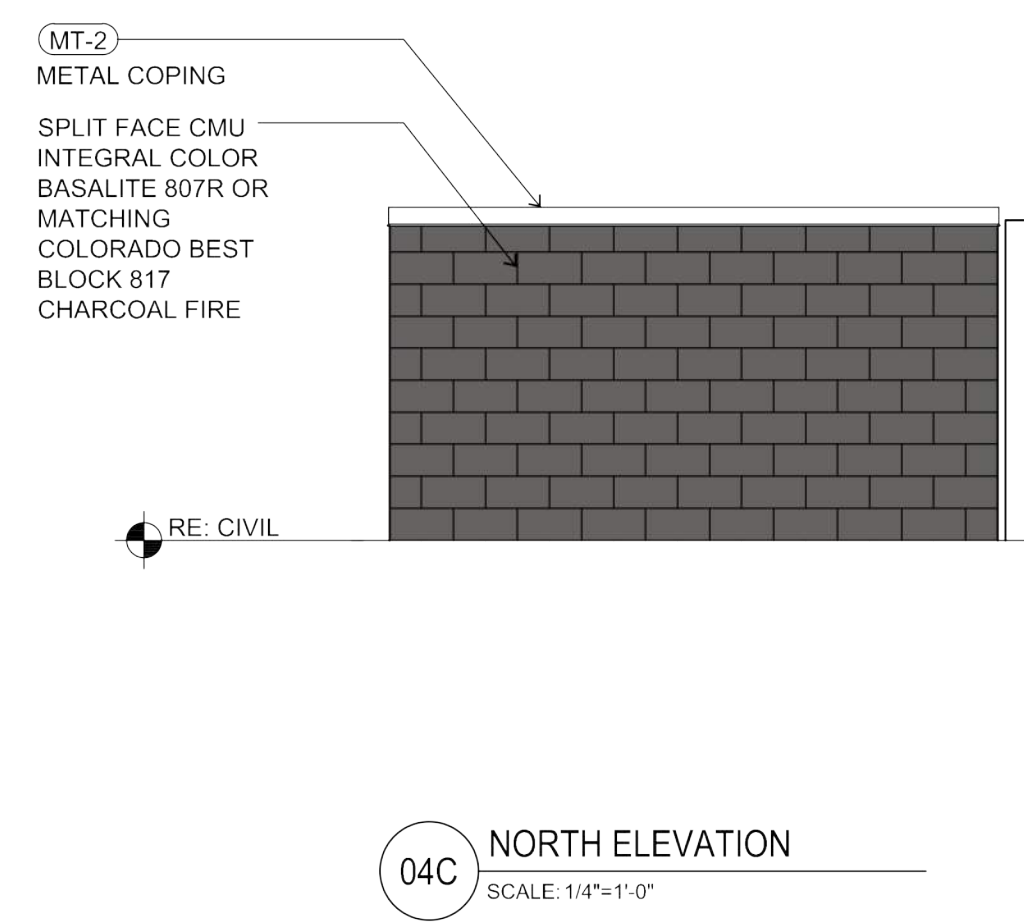
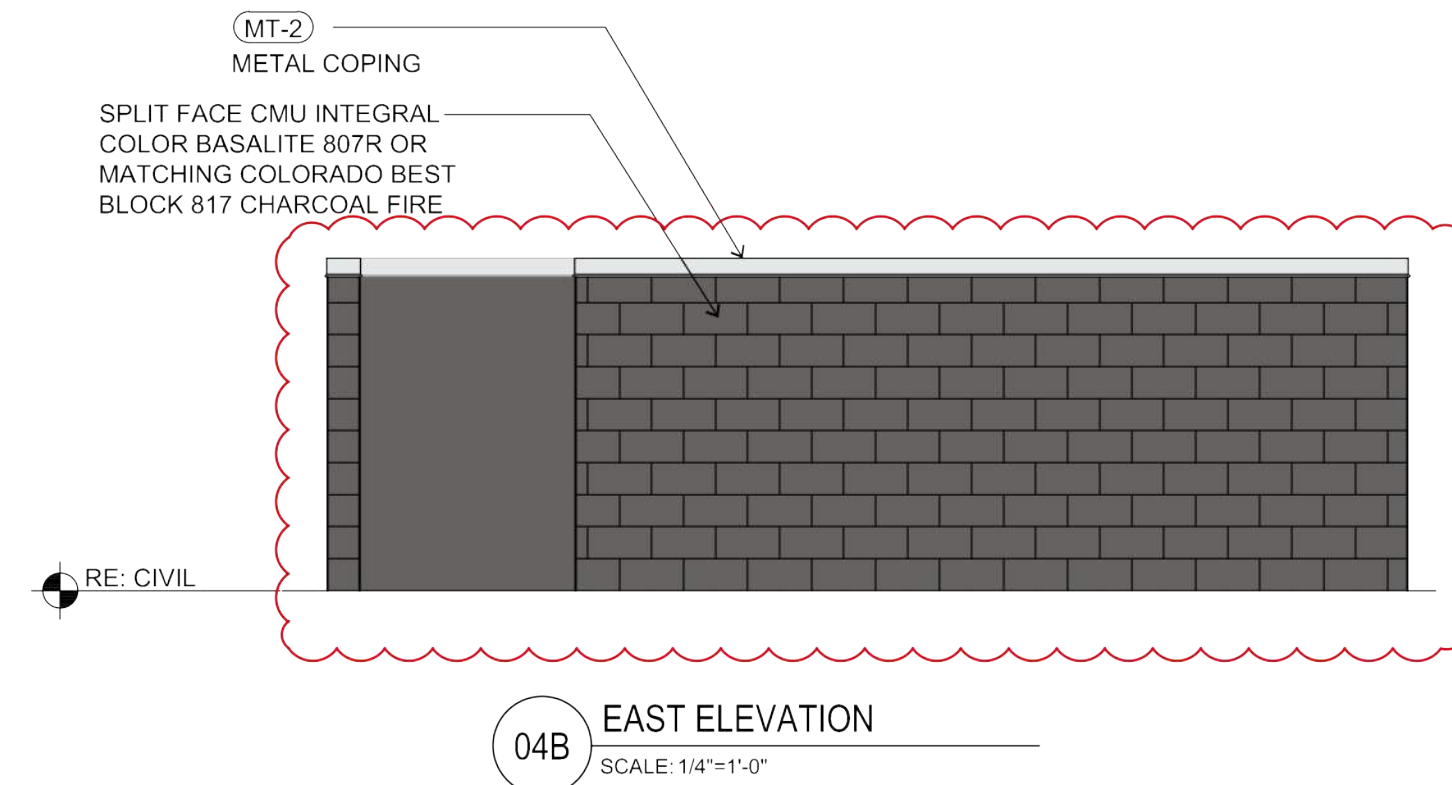
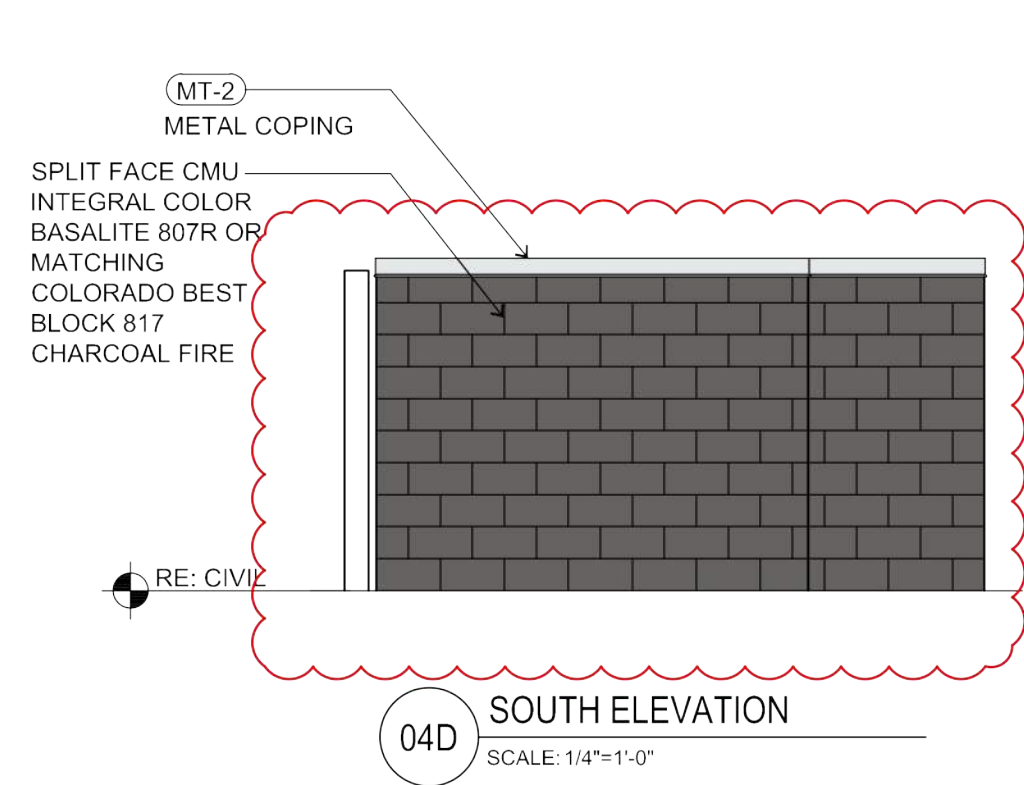
DATE	BY	REVISION
6/19/2020		
02/25/2021		
03/26/2021		
No.	1st SDP SUBMITTAL	2nd SDP SUBMITTAL
1.		
2.		
3.		

EES ENGINEERING AND SOLUTIONS, INC.
501 S Cherry St, Suite 300
Denver, CO 80246
303-572-7997 www.ees.us.com

SLIM CHICKENS
Life Changing Chicken
Chicken Tenders - Buffalo Wings - Sandwiches - Salads - Wraps

SITE PLAN
SLIM CHICKENS
BUILDING ELEVATIONS
SWC OF S. PARKER ROAD AND E. PINE LANE, PARKER, CO 80134

PROJECT NO: TSD003.01
DESIGNED BY: BH
DRAWN BY: TS
DATE: 03/28/2021
P4.1



P:\SLIM\CHICKENS\1902 - SC PARKER (PARKER & PINE)\HISTORY\01 SITE PLAN SUBMITTALS\2021-06-16 5TH SUBMITTAL\WORKING FILES\PS_1 SITE DETAILS.DWG

811 CALL UTILITY NOTIFICATION CENTER OF COLORADO
1-800-922-1987 or 811
 CALL 3-BUSINESS DAYS (NOT INCLUDING INITIAL DAY OF CONTACT) IN ADVANCE BEFORE YOU DIG, GRADE, OR EXCAVATE FOR THE MARKING OF UNDERGROUND MEMBER UTILITIES.
 Know what's below. Call before you dig.

No.	REVISION	BY	DATE
1.	1st SDP SUBMITTAL		6/19/2020
2.	2nd SDP SUBMITTAL		02/25/2021
3.	3rd SDP SUBMITTAL		03/26/2021
4.	4th SDP SUBMITTAL		04/23/2021
5.	5th SDP SUBMITTAL		06/16/2021

EES ENTITLEMENT AND ENGINEERING SOLUTIONS, INC.
 501 S. Cherry St. Suite 300
 Denver, CO 80246
 303-572-7997 www.ees.us.com

Life Changing Chickens
SLIM CHICKENS
 Chicken tenders - Buffalo Wings - Sandwiches - Wraps

SITE PLAN
SLIM CHICKENS
 SWC OF S. PARKER ROAD AND E. PINE LANE, PARKER, CO 80134
SITE DETAILS
 PROJECT NO: TSD003.01
 DESIGNED BY: BH
 DRAWN BY: TS
 DATE: 03/26/2021
P5.1
 SHEET 9 OF 9

EXTERIOR FINISH LEGEND (x-x)

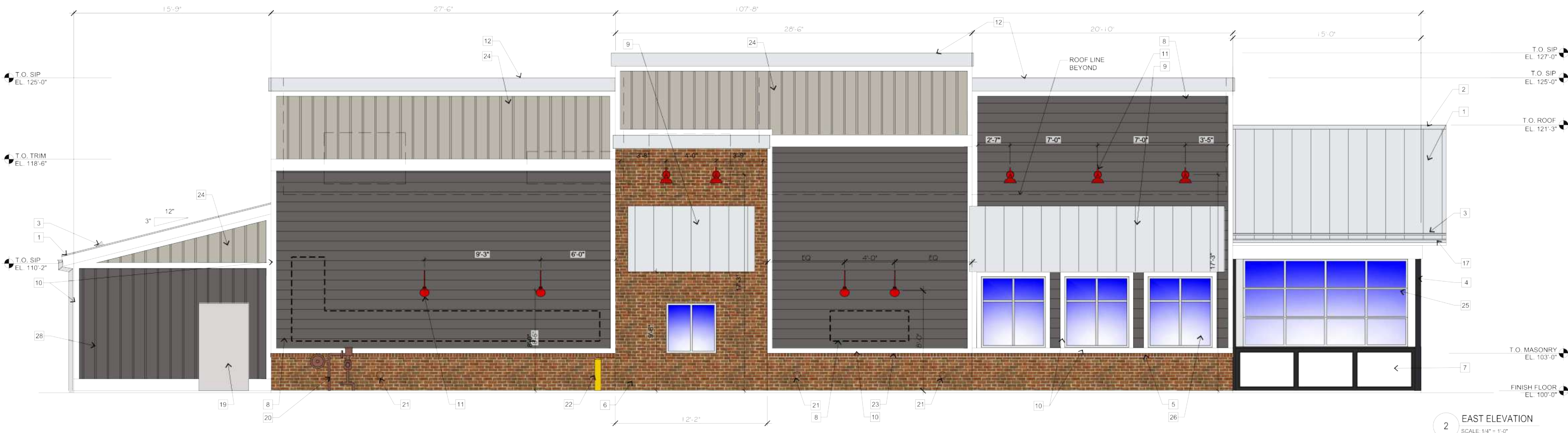
KEY	MATERIAL	MANUFACTURER	FINISH/STYLE	SPECIFICATIONS	LOCATION	MATERIAL NOTES
BR-1	BRICK	GENERAL SHALE	WATERTON	RUNNING BOND - ROWLOCK SILL WEATHERED WOOD	EXTERIOR WALLS	
CD-1	COMPOSITE DECKING BOARDS	ENVISSION	2" X 6" NOMINAL BOARDS W/ SQUARE EDGES		PATIO SIGNAGE / DUMPSTER ENCLOSURE	1" GAPS BETWEEN BOARDS - FASTENED PER MFR RECOMMENDATIONS
FRP-1	FIBERGLASS REINFORCED PANEL	MARLITE OR APPROVED EQUAL	P100 WHITE		BACK OF HOUSE	PROVIDE MANUFACTURERS STANDARD PVC CORNER GUARDS. INSTALL ABOVE BASE
MT-1	GALVALUME R-PANELS	METAL SALES MANUFACTURING CORP	CLEAR	26 GAUGE	AWNINGS AND PATIO ROOF	
MT-2	PRE-FINISHED METAL COPING	FIRESTONE	UNA-CLAD / CLEAR ANODIZED KYNAR 500 FINISH	05" GAUGE	COPINGS	
MT-3	GALVALUME COPING	METAL SALES MANUFACTURING CORP	CLEAR	---	COPINGS AT DUMPSTER ENCLOSURE	
MT-4	PRE-FINISHED METAL COPING	FIRESTONE	UNA-EDGE DE / CLEAR ANODIZED KYNAR 500 FINISH	05" GAUGE	COPING AT DRIVE-THRU	
P-1	PAINT	SHERWIN WILLIAMS	A-100 / SATIN	SW 7005 - PURE WHITE	EXTERIOR FIBER CEMENT BOARD TRIM	
	PRIMER	SHERWIN WILLIAMS	QUICK DRY STAIN BLOCKING PRIMER	---	EXTERIOR FIBER CEMENT BOARD TRIM	
P-4	PAINT	SHERWIN WILLIAMS	A-100 / SATIN	---	EXTERIOR WOOD / FIBER CEMENT LAP SIDING / DUMPSTER ENCLOSURE STEEL POSTS AND CMU	
	PRIMER	SHERWIN WILLIAMS	QUICK DRY STAIN BLOCKING PRIMER	BASE: TINT 50%	EXTERIOR WOOD / FIBER CEMENT LAP SIDING	
	PRIMER	SHERWIN WILLIAMS	LOXON BLOCK SURFACER	BASE: TINT 50%	DUMPSTER ENCLOSURE CMU	
	PRIMER	SHERWIN WILLIAMS	PRO-CRYL UNIVERSAL PRIMER / OFF-WHITE	BASE: TINT 50%	DUMPSTER ENCLOSURE STEEL POSTS	
P-5	PAINT	SHERWIN WILLIAMS	DTM ACRYLIC / ULTRADEEP / SEMI-GLOSS	SW 6258 - TRICORN BLACK	HM DOORS & FRAMES	
	PRIMER	SHERWIN WILLIAMS	PRO-CRYL UNIVERSAL PRIMER / OFF-WHITE	BASE: TINT 50%	---	
P-6	PAINT	SHERWIN WILLIAMS	DTM ACRYLIC / SAFETY YELLOW / GLOSS	SW 4084 - SAFETY YELLOW	BOLLARDS	
	PRIMER	SHERWIN WILLIAMS	PRO-CRYL UNIVERSAL PRIMER / OFF-WHITE	BASE: TINT 50%	---	
P-7	PAINT	SHERWIN WILLIAMS	SATIN	MATCH BENJAMIN MOORE HC-169	FIBER CEMENT SIDING PANELS	
P-8	PAINT	SHERWIN WILLIAMS	SATIN	MATCH BM 1183 SEMINOLE BROWN	GAS METER	

KEY NOTES (x)

- R-PANEL SEAM METAL ROOF W/ 12" O.C. RIBS (MT-1)
- RIDGE CAP
- CONTINUOUS ALUMINUM SNOW GUARD
- STEEL POST, RE. STRUCT
- ROWLOCK BRICK SILL (BR-1)
- BRICK - RUNNING BOND
- NON-ILLUMINATED FROSTED TRANSLUCENT PANEL
- 8" EXPOSED FIBER CEMENT BOARD LAP SIDING (P-4)
- METAL AWNING (MT-1)
- FIBER CEMENT BOARD TRIM, TYP (P-1)
- EXTERIOR LIGHTING FIXTURE, RE. ELEC.
- PRE-FINISHED METAL COPING (MT-2)
- KNOX BOX
- FIRE DEPARTMENT CONNECTION
- WALL MOUNTED TVS ABOVE WINDOWS RE. SPECS
- COMPOSITE DECKING BOARD WITH 1" GAP OVER PAINTED EXTERIOR SHEATHING (CD-1)
- 5" HALF ROUND GALVANIZED METAL GUTTER & 4" ROUND DOWNSPOUTS TYP.
- HOLLOW METAL DOOR AND FRAME PAINT (P-5)
- ELECTRIC PANELS (P-4)
- GAS METER (P-8)
- ROOF DRAIN OUTLET, RE. ROOF PLAN
- BOLLARDS, RE. CIVIL (P-6)
- SOLDIER BRICK (BR-1)
- 16" O.C. FIBER CEMENT BOARD & BATTEN SIDING (P-7)
- O.H. DOOR, RE. SCHEDULE
- ALUMINUM STOREFRONT
- BI-FOLD WINDOWS
- 16" O.C. FIBER CEMENT BOARD & BATTEN SIDING (P-4)

GENERAL NOTES

- SIGNAGE COMPANY TO PERMIT THE LARGEST POSSIBLE SIGNAGE. COORDINATE WITH AHJ.
- FINISH NOTES**
- ALL MATERIAL SUBSTITUTIONS PROPOSED BY GENERAL CONTRACTORS MUST HAVE CORPORATE APPROVAL PRIOR TO SUBMISSION OF PROPOSAL. CONTRACTORS SUBMITTING PROPOSALS WITH MATERIALS OTHER THAN THOSE LISTED ABOVE DO SO AT THEIR OWN RISK.
 - FORMULA FOR ST-1:
1 GALLON FORMULA (TO MATCH HC-168 CHELSEA GRAY)
B1 - 18
N1 - 11
R2 - 1
Y3 - 7
W1 - 2Y
 - ALL CAULK/SEALANT USED IN PROJECT TO EXHIBIT COLOR THAT MATCHES ADJACENT FINISHES.



NO.	REVISION	DATE
1.	1st SDP SUBMITTAL	6/19/2020
2.	2nd SDP SUBMITTAL	02/25/2021
3.	3rd SDP SUBMITTAL	03/26/2021

EES
ENTITLEMENT AND
ENGINEERING
SOLUTIONS, INC.
501 S Cherry St, Suite 300
Denver, CO 80246
303-572-7997 www.ees.us.com

Life Changing Chickens
SLIM CHICKENS
Chicken Tenders - Buffalo Wings - Sandwiches - Wraps

SITE PLAN
SLIM CHICKENS
SWC OF S. PARKER ROAD AND E. PINE LANE, PARKER, CO 80134
BUILDING ELEVATIONS

PROJECT NO: TSD003.01
DESIGNED BY: BH
DRAWN BY: TS
DATE: 03/26/2021

P:\SLIM CHICKENS\31802 - SPC PARKER (PARKER & PINE)\HISTORY\01 SITE PLAN SUBMITTALS\2021-03-26 3RD SUBMITTAL\WORKING FILES\4.0 EXTERIOR ELEVATIONS.DWG

811
Know what's below.
Call before you dig.

CALL UTILITY NOTIFICATION CENTER OF COLORADO
1-800-922-1987 or 811

CALL 3 BUSINESS DAYS (NOT INCLUDING INITIAL DAY OF CONTACT) IN ADVANCE BEFORE YOU DIG, GRADE, OR EXCAVATE FOR THE MARKING OF UNDERGROUND MEMBER UTILITIES.

EXTERIOR FINISH LEGEND (X-X)

KEY	MATERIAL	MANUFACTURER	FINISH/STYLE	SPECIFICATIONS	LOCATION	MATERIAL NOTES
BR-1	BRICK	GENERAL SHALE	WATERTON	RUNNING BOND - ROWLOCK SILL	EXTERIOR WALLS	
CD-1	COMPOSITE DECKING BOARDS	ENVISION	2" X 6" NOMINAL BOARDS W/ SQUARE EDGES	WEATHERED WOOD	PATIO SIGNAGE / DUMPSTER ENCLOSURE	1" GAPS BETWEEN BOARDS - FASTENED PER MFR RECOMMENDATIONS
FRP-1	FIBERGLASS REINFORCED PANEL	MARLITE OR APPROVED EQUAL	P100 WHITE	CLEAR	BACK OF HOUSE	PROVIDE MANUFACTURERS STANDARD PVC CORNER GUARDS. INSTALL ABOVE BASE
MT-1	GALVALUME R-PANELS	METAL SALES MANUFACTURING CORP	CLEAR	26 GAUGE	AWNINGS AND PATIO ROOF	---
MT-2	PRE-FINISHED METAL COPING	FIRESTONE	UNA-CLAD / CLEAR ANODIZED KYNAR 500 FINISH	05" GAUGE	COPINGS	---
MT-3	GALVALUME COPING	METAL SALES MANUFACTURING CORP	CLEAR	---	COPINGS AT DUMPSTER ENCLOSURE	---
MT-4	PRE-FINISHED METAL COPING	FIRESTONE	UNA-EDGE DE / CLEAR ANODIZED KYNAR 500 FINISH	05" GAUGE	COPING AT DRIVE-THRU	---
P-1	PAINT	SHERWIN WILLIAMS	A-100 / SATIN	SW 7005 - PURE WHITE	EXTERIOR FIBER CEMENT BOARD TRIM	---
P-2	PRIMER	SHERWIN WILLIAMS	QUICK DRY STAIN BLOCKING PRIMER	---	EXTERIOR FIBER CEMENT BOARD TRIM	---
P-3	PRIMER	SHERWIN WILLIAMS	QUICK DRY STAIN BLOCKING PRIMER	---	EXTERIOR WOOD / FIBER CEMENT LAP SIDING / DUMPSTER ENCLOSURE STEEL POSTS AND CMU	---
P-4	PAINT	SHERWIN WILLIAMS	A-100 / SATIN	SEE FINISH NOTE 2	---	---
P-5	PRIMER	SHERWIN WILLIAMS	QUICK DRY STAIN BLOCKING PRIMER	BASE TINT 50%	EXTERIOR WOOD / FIBER CEMENT LAP SIDING	---
P-6	PRIMER	SHERWIN WILLIAMS	LOXON BLOCK SURFACER	BASE TINT 50%	DUMPSTER ENCLOSURE CMU	---
P-7	PRIMER	SHERWIN WILLIAMS	PRO-CRYL UNIVERSAL PRIMER / OFF-WHITE	BASE TINT 50%	DUMPSTER ENCLOSURE STEEL POSTS	---
P-8	PAINT	SHERWIN WILLIAMS	DTM ACRYLIC / ULTRADEEP / SEMI-GLOSS	SW 6258 - TRICORN BLACK	HM DOORS & FRAMES	---
P-9	PRIMER	SHERWIN WILLIAMS	PRO-CRYL UNIVERSAL PRIMER / OFF-WHITE	BASE TINT 50%	---	---
P-10	PAINT	SHERWIN WILLIAMS	DTM ACRYLIC / SAFETY YELLOW / GLOSS	SW 4084 - SAFETY YELLOW	BOLLARDS	---
P-11	PRIMER	SHERWIN WILLIAMS	PRO-CRYL UNIVERSAL PRIMER / OFF-WHITE	BASE TINT 50%	---	---
P-12	PAINT	SHERWIN WILLIAMS	SATIN	MATCH BENJAMIN MOORE HC-169	FIBER CEMENT SIDING PANELS	---
P-13	PAINT	SHERWIN WILLIAMS	SATIN	MATCH BM 1183 SEMINOLE BROWN	GAS METER	---

KEY NOTES (X)

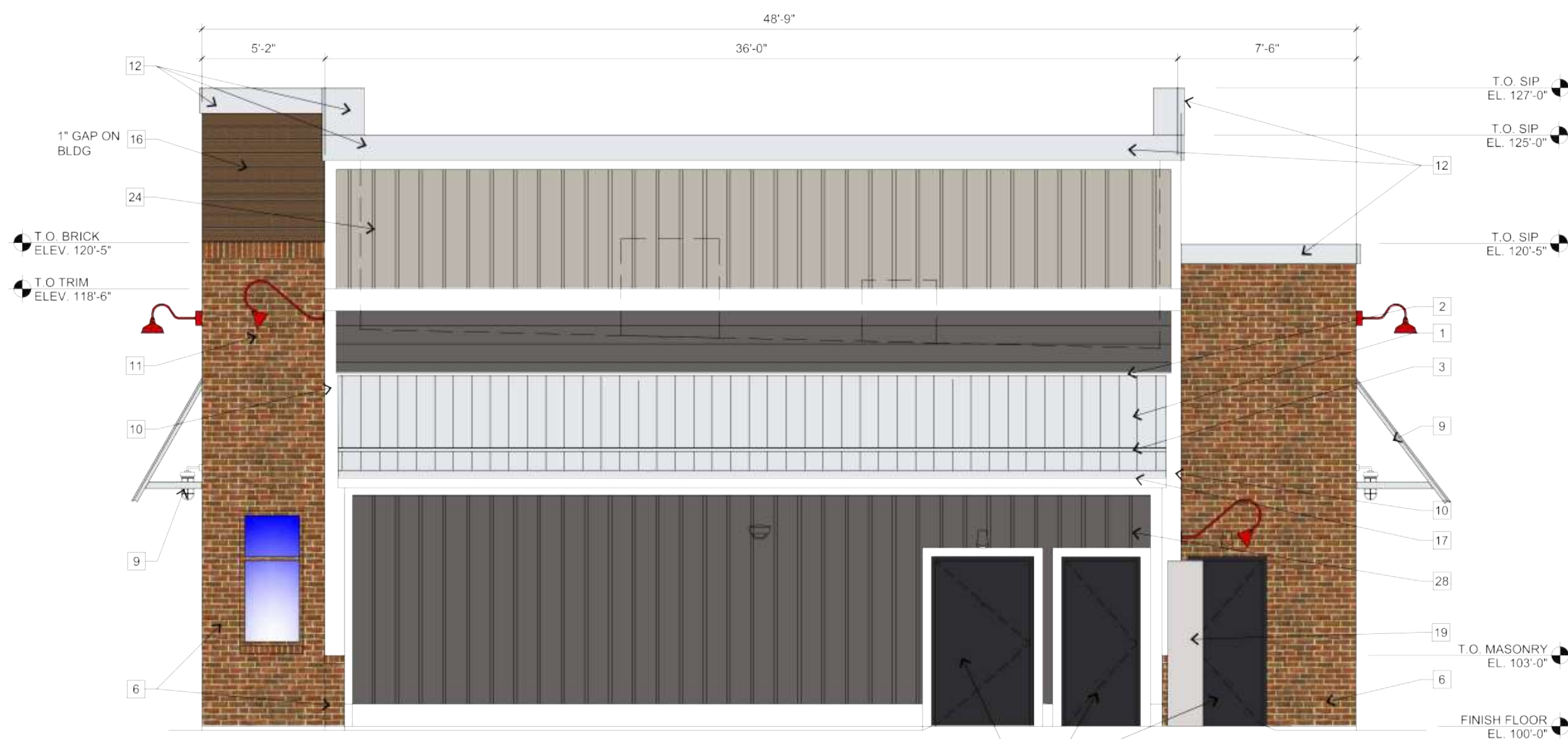
- R-PANEL SEAM METAL ROOF W/ 12" O.C. RIBS (MT-1)
- RIDGE CAP
- CONTINUOUS ALUMINUM SNOW GUARD
- STEEL POST, RE: STRUCT
- ROWLOCK BRICK SILL (BR-1)
- BRICK - RUNNING BOND
- NON-ILLUMINATED FROSTED TRANSLUCENT PANEL
- 8" EXPOSED FIBER CEMENT BOARD LAP SIDING (P-4)
- METAL AWNING (MT-1)
- FIBER CEMENT BOARD TRIM, TYP (P-1)
- EXTERIOR LIGHTING FIXTURE, RE: ELEC.
- PREFINISHED METAL COPING (MT-2)
- KNOX BOX
- FIRE DEPARTMENT CONNECTION
- WALL MOUNTED TV'S ABOVE WINDOWS RE: SPECS
- COMPOSITE DECKING BOARD WITH 1" GAP OVER PAINTED EXTERIOR SHEATHING (CD-1)
- 5" HALF ROUND GALVANIZED METAL GUTTER & 4" ROUND DOWNSPOUTS TYP.
- HOLLOW METAL DOOR AND FRAME. PAINT (P-5)
- ELECTRIC PANELS (P-4)
- GAS METER (P-8)
- ROOF DRAIN OUTLET, RE: ROOF PLAN
- BOLLARDS, RE: CIVIL (P-6)
- SOLDIER BRICK (BR-1)
- 16" O.C. FIBER CEMENT BOARD & BATTEN SIDING (P-7)
- O.H. DOOR, RE: SCHEDULE
- ALUMINUM STOREFRONT
- BI-FOLD WINDOWS
- 16" O.C. FIBER CEMENT BOARD & BATTEN SIDING (P-4)

GENERAL NOTES

- SIGNAGE COMPANY TO PERMIT THE LARGEST POSSIBLE SIGNAGE. COORDINATE WITH AHJ.
- FINISH NOTES**
- ALL MATERIAL SUBSTITUTIONS PROPOSED BY GENERAL CONTRACTORS MUST HAVE CORPORATE APPROVAL PRIOR TO SUBMISSION OF PROPOSAL. CONTRACTORS SUBMITTING PROPOSALS WITH MATERIALS OTHER THAN THOSE LISTED ABOVE DO SO AT THEIR OWN RISK.
 - FORMULA FOR ST-1:
1 GALLON FORMULA (TO MATCH HC-168 CHELSEA GRAY)
B1 - 18
N1 - 11
R2 - 1
Y3 - 7
W1 - 2Y
 - ALL CAULK/SEALANT USED IN PROJECT TO EXHIBIT COLOR THAT MATCHES ADJACENT FINISHES.



1 WEST ELEVATION
SCALE: 1/4" = 1'-0"



2 SOUTH ELEVATION
SCALE: 1/4" = 1'-0"

P:\SLIM-CHICKENS\31902 - SC PARKER (PARKER & PINE)\HISTORY\01 SITE PLAN SUBMITTALS\2021-09-26_3RD SUBMITTAL WORKING FILES\4_1 EXTERIOR ELEVATIONS.DWG

811 CALL UTILITY NOTIFICATION CENTER OF COLORADO
1-800-922-1987 or 811
CALL 3-BUSINESS DAYS (NOT INCLUDING INITIAL DAY OF CONTACT) IN ADVANCE BEFORE YOU DIG, GRADE, OR EXCAVATE FOR THE MARKING OF UNDERGROUND MEMBER UTILITIES.

NO.	REVISION	DATE
1.	1st SDP SUBMITTAL	6/19/2020
2.	2nd SDP SUBMITTAL	02/25/2021
3.	3rd SDP SUBMITTAL	03/26/2021

EES
ENTITLEMENT AND ENGINEERING SOLUTIONS, INC.
501 S Cherry St, Suite 300
Denver, CO 80246
303-572-7997 www.ees-us.com

Life Changing Chicken
SLIM CHICKENS
Chicken Tenders - Buffalo Wings - Sandwiches - Salads - Wraps

SITE PLAN
SLIM CHICKENS
501 S PARKER ROAD AND E. PINE LANE, PARKER, CO 80134
BUILDING ELEVATIONS

PROJECT NO: TSD003.01
DESIGNED BY: BH
DRAWN BY: TS
DATE: 03/26/2021