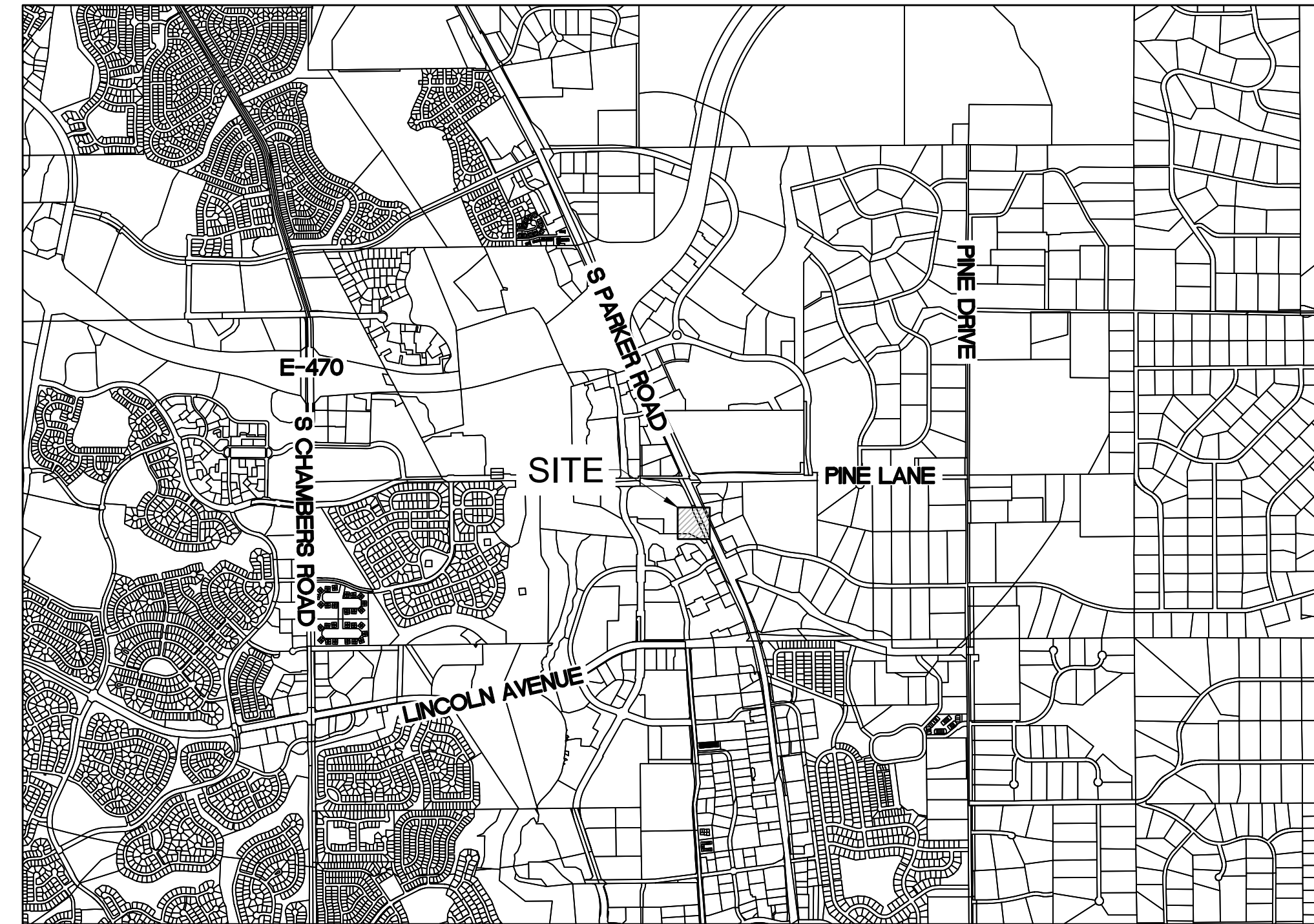


SLIM CHICKENS PWSD CONSTRUCTION PLANS

A PORTION OF PARKER AND PINE FILING NO. 1
LOCATED IN THE SOUTHEAST QUARTER OF SECTION 9 AND THE SOUTHWEST
QUARTER OF SECTION 10, TOWNSHIP 6 SOUTH, RANGE 66 WEST OF THE 6TH
P.M., TOWN OF PARKER, COUNTY OF DOUGLAS, STATE OF COLORADO



VICINITY MAP
1" = 2000'

Add a PWSD materials list

SHEET LIST TABLE

SHEET NO.	SHEET TITLE
U0.0	PARKER WATER AND SANITARY COVER
U0.1	PWSD STANDARD NOTES
U1.0	UTILITY PLAN
U2.0	WATER & SANITARY SEWER DETAILS
U2.1	WATER & SANITARY SEWER DETAILS
L-3	IRRIGATION PLAN
L-4	IRRIGATION DETAILS AND SPECIFICATIONS
L-5	IRRIGATION DETAILS

APPLICANT/OWNER

TRAIL STAR DEVELOPMENT, LLC
413 WILCOX ST., STE. 200
CASTLE ROCK, CO 80104
ATTN: RICK STUCY
P: (303) 378-1592

ARCHITECT

CAHEN ARCHITECTURAL GROUP P.C.
7000 E. BELLVIEW AVE., STE. 335
GREENWOOD VILLAGE, CO 80111
ATTN: BENJAMIN HUGHES
P: (303) 743-0002, EXT. 213

OWNER'S REP

DEEP WATER POINT COMPANY
317 14 RUBY RANCH ROAD
EVERGREEN, CO 80439
ATTN: TIMOTHY LEONARD
P: (303) 674-7856

TELEPHONE

CENTURYLINK
1801 CALIFORNIA STREET, SUITE 240
DENVER, CO 80202
CONTACT: IZZY MILLER
EMAIL: IZZY.MILLER@CENTURYLINK.COM

GAS SERVICE

XCEL ENERGY
1800 LARIMER STREET
DENVER, CO 80202
CONTACT: RON JOHNSON
EMAIL: RON.H.JOHNSON@XCELENERGY.COM

TOWN OF PARKER

TOWN OF PARKER
20120 EAST MAINSTREET
PARKER, CO 80138-7334
TEL: (303) 805-3331
CONTACT: CAROLYN PARKINSON

ELECTRICAL SERVICE

IREA
5496 US HWY 85
SEDALIA, CO 80135
TEL: (303) 686-7431
CONTACT: AMANDA STEINER

LEGAL DESCRIPTION:

A PORTION OF PARKER AND PINE FILING 1, COUNTY OF DOUGLAS, STATE OF COLORADO.

BENCHMARK:

A BRASS DISK LOCATED AT 125 FEET NORTH OF THE CENTERLINE OF A DRIVEWAY, 84 FEET SOUTH OF A DOUBLE 36 IN. CULVERT, 25 FEET WEST OF THE WEST EDGE OF PARKER ROAD, AND 25 FEET EAST OF THE WEST RIGHT OF THE FENCE.

ELEVATION = 5734.25 FEET (NAVD 1988), AS PUBLISHED BY DOUGLAS COUNTY.

FLOODPLAIN NOTE:

BY SCALED MAP LOCATION AND GRAPHIC PLOTTING ONLY, THIS PROPERTY LIES IN ZONE X OF THE FLOOD INSURANCE RATE MAP, COMMUNITY PANEL NUMBER 08035C0067G AND DATED MARCH 16, 2016 - SUBJECT PROPERTY IS NOT IN A SPECIAL FLOOD HAZARD AREA.

ENGINEERING CONSULTANT

ENTITLEMENT AND ENGINEERING SOLUTIONS, INC.
501 S CHERRY STREET, SUITE 300
GLENDALE, CO 80246
ATTN: CHRIS MUELLER PE NCEES
P: (314) 737-2758

LANDSCAPE ARCHITECT

MEURAN DESIGN GROUP
700 COLORADO BLVD, SUITE 131
DENVER, CO 80206
ATTN: KERRY SMEESTER
P: (303) 512-0549

SURVEYOR

ENGINEERING SERVICE COMPANY
1300 SOUTH POTOMAC ST., SUITE 126
AURORA, CO 80012
TEL: (303) 337-1393
CONTACT: CHARLES BECKTROM, PLS

TELEVISION

COMCAST
1601 MILE HIGH STADIUM CIRCLE
DENVER, CO 80204
CONTACT: DEAN FLENTHROPE
EMAIL: DEAN_FLENTHROPE@CABLE.COMCAST.COM

WATER/SANITARY SEWER

PARKER WATER AND SANITATION DISTRICT
18100 E. WOODMEN ROAD
PARKER, CO 80134
TEL: (303) 841-4627
CONTACT: DRAYTON SANDERSON

FIRE DEPARTMENT

SOUTH METRO FIRE RESCUE AUTHORITY
9195 E. MINERAL AVE.
CENTENNIAL, CO 80112
TEL: (720) 989-2244
CONTACT: CHIP KERKHOVE

TOWN OF PARKER PLAN REVIEW

20120 E. MAINSTREET
PARKER, CO 80138
TEL: (303) 805-3169
CONTACT: RANDY CAPRA

P:\TRAIL STAR DEVELOPMENT\CO. PARKER - PARKER ROAD & PINE LANE (SLIM CHICKENS)\DWG\CADD\CDD\CO.D COVER SHEET & NOTES.DWG



Know what's below.
Call before you dig.

CALL UTILITY NOTIFICATION
CENTER OF COLORADO

1-800-922-1987 or 811

CALL 3-BUSINESS DAYS (NOT INCLUDING INITIAL DAY OF CONTACT) IN ADVANCE BEFORE YOU DIG, GRADE, OR EXCAVATE FOR THE MARKING OF UNDERGROUND MEMBER UTILITIES.

All fire hydrants shall be installed according to water utility standards. The number and locations of the fire hydrants as shown on the Overall Utility Plan are correct as specified by the Town of Parker, Community Development Department.

Fire Code Official or Designated Representative Date

(NOTE - Underground Fire Line (UFL) submittal documents must meet the requirements of NFPA 24 when submitting for review.)

THE DISTRICT INSPECTOR MUST BE NOTIFIED AT LEAST 48 HOURS PRIOR TO START OF CONSTRUCTION. CALL PARKER WATER AND SANITATION DISTRICT AT 303-841-4627. THE DISTRICT WILL PROVIDE PERIODIC INSPECTIONS OF THE WORK. 24 HOUR NOTICE TO THE INSPECTOR IS REQUIRED FOR SCHEDULING INSPECTIONS. ANY WORK ACCOMPLISHED WITHOUT THE APPROVAL OF THE INSPECTOR WILL BE SUBJECT TO REJECTION.

REVIEWED FOR CONFORMANCE TO PARKER WATER AND SANITATION DISTRICT STANDARDS.

BY: _____
(DISTRICT REPRESENTATIVE)

DATE: _____

APPROVED FOR CONSTRUCTION:
PARKER WATER AND SANITATION DISTRICT

BY: _____

DATE: _____

No.	REVISION	BY	DATE

ENTITLEMENT AND ENGINEERING SOLUTIONS, INC.
501 S Cherry St, Suite 300
Glendale, CO 80246
303-572-7987 www.ees.us.com

Life Changing Chicken
SLIM CHICKENS
Chicken tenders - Buffalo Wings - Sandwiches - Wraps

PARKER WATER & SANITATION DISTRICT
SLIM CHICKENS
SWC OF S. PARKER ROAD AND E. PINE LANE, PARKER, CO 80134
PARKER WATER AND SANITARY COVER

PROJECT NO:	TSD003.01
DESIGNED BY:	CAM
DRAWN BY:	JLG
DATE:	01/05/2021

U0.0

GENERAL NOTES:

- ALL MATERIALS AND WORKMANSHIP SHALL BE IN CONFORMANCE WITH THE PWSO ENGINEERING STANDARDS AND SPECIFICATIONS, LATEST VERSION.
- THE CONTRACTOR SHALL CONTACT ALL APPROPRIATE UTILITY COMPANIES AND THE TOWN OF PARKER, DOUGLAS COUNTY AND OTHER NEIGHBORING CITIES AND TOWNS PRIOR TO THE BEGINNING OF ANY CONSTRUCTION. CONTRACTOR SHALL BE RESPONSIBLE FOR LOCATING ANY EXISTING UTILITY (INCLUDING DEPTHS) WHICH MAY CONFLICT WITH THE PROPOSED CONSTRUCTION. ALL EXISTING UTILITIES SHALL BE PROTECTED FROM DAMAGE BY THE CONTRACTOR. DAMAGED UTILITIES SHALL BE REPAIRED BY THE CONTRACTOR AT HIS OWN EXPENSE.
- ALL ITEMS SHOWN ON THE PLANS AS EXISTING ARE SHOWN IN APPROXIMATE LOCATIONS ONLY. THE ACTUAL LOCATIONS MAY VARY FROM THE PLANS, ESPECIALLY IN THE CASE OF UNDERGROUND UTILITIES. WHENEVER THE CONTRACTOR DISCOVERS A DISCREPANCY IN LOCATIONS CONTACT THE PWSO IMMEDIATELY.
- PWSO ENGINEER AND OTHER APPROVING AGENCIES ARE TO BE NOTIFIED 48 HOURS PRIOR TO CONSTRUCTION.
- THE CONTRACTOR SHALL OBTAIN, AT HIS EXPENSE, ALL PERMITS NECESSARY TO PERFORM THE PROPOSED WORK.
- ALL CONCRETE SHALL BE A MINIMUM OF CLASS A, 6 SACK, TYPE II, 3000-POUND COMPRESSION STRENGTH.
- THE DESIGN ENGINEER SHALL SUBMIT ONE (1) SET OF "AS-BUILT" DRAWINGS AND ELECTRONIC FILES TO THE DISTRICT ENGINEER FOR APPROVAL BY DISTRICT. AFTER APPROVAL HAS BEEN GRANTED BY THE DISTRICT ENGINEER, FULL SIZE PRINTS SHALL BE TRANSMITTED TO THE PWSO OFFICE.
- NO WORK SHALL BE BACKFILLED UNTIL THE CONSTRUCTION HAS BEEN INSPECTED AND APPROVED FOR BACKFILLING BY THE DISTRICT ENGINEER OR REPRESENTATIVE OF THE DISTRICT ENGINEER. ALL BACKFILL MATERIAL SHALL BE COMPACTED TO 95% STANDARD PROCTOR DENSITY. COMPACTION TESTS MUST BE SUBMITTED TO DISTRICT ENGINEER PRIOR TO PROBATIONARY ACCEPTANCE.
- TRENCHES SHALL BE EXCAVATED AND THE PIPE EXPOSED FOR THE INSPECTION AT ANY LOCATION ON THE PROJECT IF SO ORDERED BY THE INSPECTOR.
- THE CONTRACTOR WILL BE HELD RESPONSIBLE FOR THE PROPER FUNCTIONING OF LINES (WATER AND SEWER) FOR UP TO TWO (2) YEARS FROM THE DATE OF PROBATIONARY ACCEPTANCE OF THE LINES BY THE DISTRICT. ANY MALFUNCTION DURING THIS PERIOD OF GUARANTEE SHALL BE REMEDIATED BY THE CONTRACTOR TO THE SATISFACTION OF THE DISTRICT ENGINEER AT NO EXPENSE TO THE DISTRICT.
- SURFACE GRADES ARE TO BE WITHIN PLUS OR MINUS ONE FOOT OF FINISHED GRADE AND VERIFICATION OF PARKER WATER AND SANITATION DISTRICT PAGE 1.7 DISTRICT PLAN APPROVAL PROCEDURES 2017 REVISION COMPACTION RESULTS OBTAINED PRIOR TO THE INSTALLATION OF WATER AND SEWER LINES. RESULTS MUST BE SUBMITTED TO THE DISTRICT ENGINEER.
- ALL SERVICES WILL BE PERMANENTLY MARKED ON CURB FACE AS FOLLOWS: "X" FOR SANITARY SERVICE SEWERS, "V" FOR WATER SERVICES.
- NO TREES ALLOWED IN EASEMENTS OR WITHIN 8' OF WATER OR SANITARY SEWER MAINS IN RIGHT OF WAY.
- THE CONTRACTOR SHALL HAVE IN HIS POSSESSION AT ALL TIMES ONE (1) SIGNED COPY OF THE PLANS WHICH HAVE BEEN APPROVED BY THE PWSO AND THE DISTRICT ENGINEER AND ONE (1) COPY OF THE LATEST PWSO SPECIFICATION MANUAL.

WATER SYSTEM NOTES:

- ALL MATERIALS AND WORKMANSHIP SHALL BE IN CONFORMANCE WITH THE PWSO ENGINEERING STANDARDS AND SPECIFICATIONS, LATEST REVISION.
- ALL WATER MAINS SHALL BE PER PWSO MATERIALS SPECIFICATIONS. ALL MATERIALS IN CONTACT WITH POTABLE WATER SHALL BE SUITABLE FOR CHLORINATED AND CHLORAMINATED WATER.
- ALL BENDS, PLUGS, REDUCERS, AND FIRE HYDRANTS TO BE RODDED OR MEGA-LUGGED. ALL FITTINGS SHALL BE WRAPPED PER PWSO MATERIALS SPECIFICATIONS.
- THERE SHALL BE A MINIMUM COVER OF 4.5 FEET OVER ALL WATER MAINS.
- FIRE HYDRANTS SHALL CONFORM TO AWWA C-502 "DRY BARREL FIRE HYDRANTS" PIPE HYDRANT ASSEMBLIES PER PWSO SPECIFICATIONS.
- ALL BENDS, TEES, FIRE HYDRANTS, BLOW-OFFS, AND PLUGS AT DEAD-END MAINS SHALL BE PROTECTED FROM THRUST WITH CONCRETE THRUST BLOCKS.
- PRECAUTIONS SHALL BE TAKEN TO PROTECT THE INTERIOR OF PIPES, FITTINGS, AND VALVES AGAINST CONTAMINATION. ALL OPENINGS IN THE PIPELINE SHALL BE CLOSED WITH WATERTIGHT PLUGS WHEN PIPE LAYING IS STOPPED AT THE CLOSE OF THE DAY'S WORK OR FOR OTHER REASONS, SUCH AS REST BREAKS OR MEAL PERIODS.
- VALVES IN STREETS ARE TO BE LOCATED AT PROPERTY LINE EXTENSIONS EXCEPT FOR TAPPING TEES; WHERE AN ADDITIONAL VALVE SHALL BE PLACED ON THE TAPPING TEE. OTHER LOCATIONS SHOWN ON THE PLANS.
- WHEN NECESSARY TO LOWER OR RAISE WATER LINES AT STORM DRAINS AND OTHER UTILITY CROSSING, A MINIMUM CLEARANCE OF 1.5 FEET SHALL BE MAINTAINED BETWEEN OUTSIDE OF PIPES.
- THE CONTRACTOR SHALL NOTIFY THE PWSO AT LEAST 48 HOURS PRIOR TO ANY CONSTRUCTION. IF WORK IS SUSPENDED FOR ANY PERIOD OF TIME AFTER INITIAL START-UP, THE CONTRACTOR MUST NOTIFY THE DISTRICT ENGINEER 48 HOURS PRIOR TO RE-START.
- PIPE BEDDING SHALL BE A CLEAN, WELL-GRADED SAND OR SQUEEGEE SAND IN ACCORDANCE WITH PWSO STANDARDS AND SPECIFICATIONS, LATEST REVISION.
- THE CONTRACTOR SHALL NOTIFY THE PUBLIC UTILITY COMPANIES AND DETERMINE THE LOCATION OF ALL EXISTING UNDERGROUND UTILITIES PRIOR TO PROCEEDING WITH THE EXCAVATION. ALL WORK PERFORMED IN PARKER WATER AND SANITATION DISTRICT PAGE 1.8 DISTRICT PLAN APPROVAL PROCEDURES 2017 REVISION. THE AREA OF THE PUBLIC UTILITIES SHALL BE PERFORMED ACCORDING TO THE REQUIREMENTS OF THESE AGENCIES.
- COMPACTION OF ALL TRENCHES MUST BE ATTAINED IN ACCORDANCE WITH THE SOILS REPORTS AND COMPACTION TEST RESULTS SUBMITTED TO THE DISTRICT ENGINEER PRIOR TO PROBATIONARY ACCEPTANCE.
- AT LEAST FIVE (5) DAYS PRIOR TO THE START OF CONSTRUCTION, A PRE-CONSTRUCTION MEETING WILL BE HELD AT THE OFFICE OF THE DISTRICT ENGINEER AND ATTENDED BY THE CONTRACTOR, DESIGN ENGINEER, AND REPRESENTATIVE OF OTHER APPROVING AGENCIES.
- CHLORINATION AND FLUSHING: ALL WATER MAINS SHALL BE INSTALLED AND CHLORINATED PER PWSO SPECIFICATIONS. CHLORINATION OF FINISHED PIPELINE COMPLETED BEFORE HYDROSTATIC TESTING.
16. HYDROSTATIC TESTING: ALL WATER MAINS SHALL BE TESTED PER THE REQUIREMENTS OF THE PWSO SPECIFICATIONS UP TO MINIMUM OF 150 PSI IN THE PRESENCE OF A PWSO INSPECTOR/ENGINEER.

SANITARY SEWER SYSTEM NOTES:

- ALL MATERIALS AND WORKMANSHIP SHALL BE IN CONFORMANCE WITH THE PWSO ENGINEERING STANDARDS AND SPECIFICATIONS, LATEST VERSION.
- ALL SEWER MAINS SHALL BE PVC, ASTM D-3034, SDR 35 OR APPROVED EQUAL. ALL SEWER MAIN SIZE IS 8" IN DIAMETER UNLESS OTHERWISE NOTED.
- SEWER LINES SHALL BE INSTALLED 5.0 FEET SOUTH OR WEST OF STREET CENTERLINE, UNLESS OTHERWISE SHOWN ON PLANS. SEWER LINES SHALL BE 10.00 FEET FROM WATER LINES EXCEPT WHEN CROSSING EACH OTHER SEWER LINES WHICH CROSS LESS THAN 1.50 FEET VERTICALLY FROM THE WATER MAIN SHALL BE ENCASED IN CONCRETE AS PER PWSO SPECIFICATIONS. USE RUBBER GASKETS FOR PVC ENCASEMENT.
- SEWER RIM ELEVATIONS SHOWN ARE APPROPRIATE ONLY AND ARE NOT TO BE TAKEN AS FINAL ELEVATIONS. RING AND COVER SHALL BE SET IN CENTERED CONCRETE RINGS WITH RAM-NECK FOR ADJUSTMENT TO MATCH FINAL PAVEMENT ELEVATIONS.
- THE CONTRACTOR AND SURVEY CREW SHALL VERIFY ELEVATIONS OF EXISTING SEWER LINES AND MANHOLES TO BE TIED TO PRIOR TO CONSTRUCTION OR STAKING OF SANITARY SEWER.
- NO UNDERDRAIN SYSTEM WILL BE ALLOWED TO BE PLACED IN MAINLINE OR SEWER SERVICE TRENCHES.
- SEWER SERVICE TEES FOR EACH UNIT SHALL BE STAKED BY A SURVEY CREW AND FURNISHED AND INSTALLED BY THE CONTRACTOR. THE CONTRACTOR SHALL FURNISH TO THE ENGINEER "AS CONSTRUCTED" LOCATION OF TEES. SEWER WYES SHALL BE USED RATHER THAN TEES.
- ALL MANHOLES SHALL BE 48-INCHES IN DIAMETER WITH 24-INCH RING AND COVER, ECCENTRIC CONE UNLESS OTHERWISE SPECIFIED. ALL MANHOLES SHALL HAVE SHAPED INVERTS.
- PIPE BEDDING SHALL BE CLASS "B" AND SHALL CONFORM TO ASTM C-33 OR D-448 GRADATION NO. 6 OR NO. 67.
10. AT LEAST FIVE (5) DAYS PRIOR TO THE START OF CONSTRUCTION, A PRE-CONSTRUCTION MEETING WILL BE HELD AT THE OFFICE OF THE DISTRICT ENGINEER AND ATTENDED BY THE CONTRACTOR AND REPRESENTATIVES OF THE OTHER APPROVING AGENCIES. IT WILL BE THE RESPONSIBILITY OF THE CONTRACTOR TO CONTACT THE DISTRICT ENGINEER TO SCHEDULE THIS MEETING. PARKER WATER AND SANITATION DISTRICT PAGE 1.9 DISTRICT PLAN APPROVAL PROCEDURES 2017 REVISION
- THE CONTRACTOR SHALL HAVE IN HIS POSSESSION AT ALL TIMES ONE (1) SIGNED COPY OF THE PLANS WHICH HAVE BEEN APPROVED BY THE PWSO AND THE DISTRICT ENGINEER AND ONE (1) COPY OF THE LATEST PWSO SPECIFICATION MANUAL.
- 1ALL SEWER LINES SHALL BE TESTED IN ACCORDANCE WITH THE PWSO STANDARDS AND SPECIFICATIONS PRIOR TO ACCEPTANCE OR ANY CONNECTION TO AN EXISTING SEWER LINE.
- PRIOR TO STARTING WORK WHERE SEWER MAIN IS TO BE CONNECTED TO EXISTING PWSO SEWER SYSTEMS, THE NEAREST MANHOLE TO THE POINT OF TIE-IN SHALL BE PLUGGED WITH A PLUMBER'S PLUG ON THE INLET SIDE BY THE CONTRACTOR. THIS PLUG SHALL REMAIN IN PLACE UNTIL FINAL PROBATIONARY ACCEPTANCE BY PWSO. THE CONTRACTOR SHALL BE RESPONSIBLE FOR PUMPING AND CLEANING THESE MANHOLES AND REMOVING THE PLUG WHEN INSTRUCTED BY THE DISTRICT.
- PRIOR TO PROBATIONARY ACCEPTANCE WALK-THROUGH, THE CONTRACTOR SHALL JET CLEAN THE ENTIRE SANITARY SEWER SYSTEM AND PUMP OUT AT THE PLUGGED MANHOLE.

EES UTILITY NOTES:

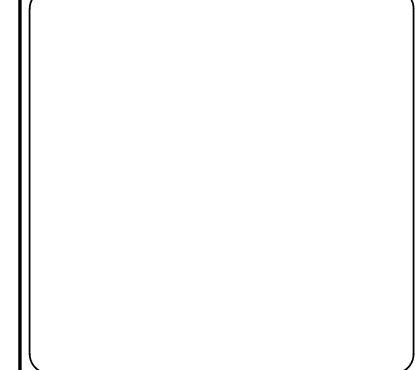
- UTILITY SERVICE INSTALLATION AND MATERIALS SHALL BE CONSTRUCTED IN ACCORDANCE WITH PWSO SPECIFICATIONS.
- ALL SEWER SERVICE PIPE SHALL BE POLYVINYL CHLORIDE GRAVITY PIPE (PVC) SDR 35, MINIMUM BURY DEPTH PWSO WATER REQUIREMENTS.
- CONTRACTOR TO FIELD VERIFY LOCATIONS OF ALL EXISTING UTILITIES PRIOR TO CONSTRUCTION, WHETHER SHOWN ON THE PLANS OR NOT. REPORT ANY DISCREPANCIES TO THE ENGINEER PRIOR TO CONSTRUCTION.
- AT PROPOSED UTILITY CROSSINGS, CONTRACTOR IS TO VERIFY THE REQUIRED GRADES AND CLEARANCES PRIOR TO COMMENCING CONSTRUCTION. ANY REQUIRED CHANGES ARE TO BE COORDINATED DIRECTLY WITH ENGINEER.
- PIPE LENGTHS ARE APPROXIMATE AND SHALL BE VERIFIED BY THE CONTRACTOR.
- UTILITY BURY DEPTH SHALL CONFORM TO PWSO UTILITY STANDARDS.
- REFER TO PWSO UTILITY STANDARDS AND FOR SANITARY SEWER TRENCHING BACKFILL REQUIREMENTS.
- ALL EXISTING UTILITIES TO REMAIN UNLESS OTHERWISE NOTED. PROTECT IN PLACE FROM DAMAGE.
- SANITARY SEWER PIPE LENGTHS ARE MEASURED FROM CENTER OF STRUCTURE TO CENTER OF STRUCTURE.
- CONTRACTOR RESPONSIBLE FOR THE CONSTRUCTION AND INSTALLATION OF ALL UTILITY WORK.
- SEE STORM AND SANITARY PLAN AND PROFILE SHEETS FOR DETAILED INFORMATION.
- PWSO IS NOT RESPONSIBLE FOR THE MAINTENANCE OF PRIVATE STORM PIPE OR INFRASTRUCTURE.
- CONSTRUCTION AND/OR EASEMENT TO BE COMPLETED AS A PORTION OF PARKER AND PINE FILING NO. 1, REFER TO INFRASTRUCTURE SITE PLAN & CIVIL CONSTRUCTION DOCUMENTS PRIOR TO OR CONCURRENT WITH THE DEVELOPMENT OF LOT 1, 2 & 3 BY KIMLEY-HORN.



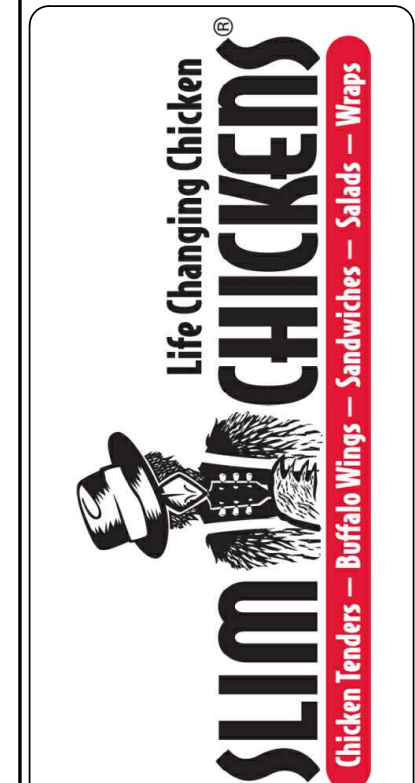
CALL UTILITY NOTIFICATION CENTER OF COLORADO
1-800-922-1987 or 811

Know what's below. Call before you dig. CALL 3-BUSINESS DAYS (NOT INCLUDING INITIAL DAY OF CONTACT) IN ADVANCE BEFORE YOU DIG, GRADE, OR EXCAVATE FOR THE MARKING OF UNDERGROUND MEMBER UTILITIES.

No.	REVISION	BY	DATE



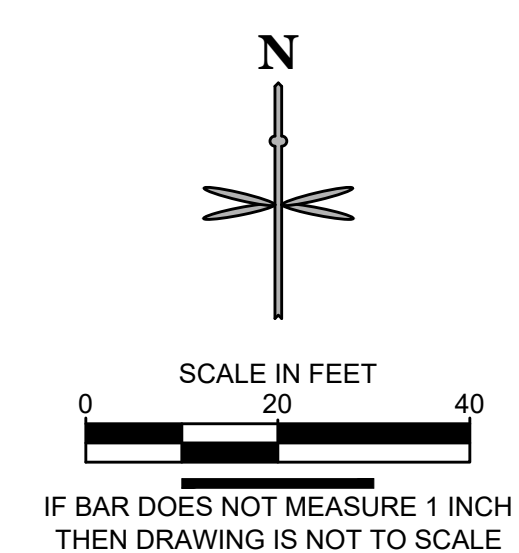
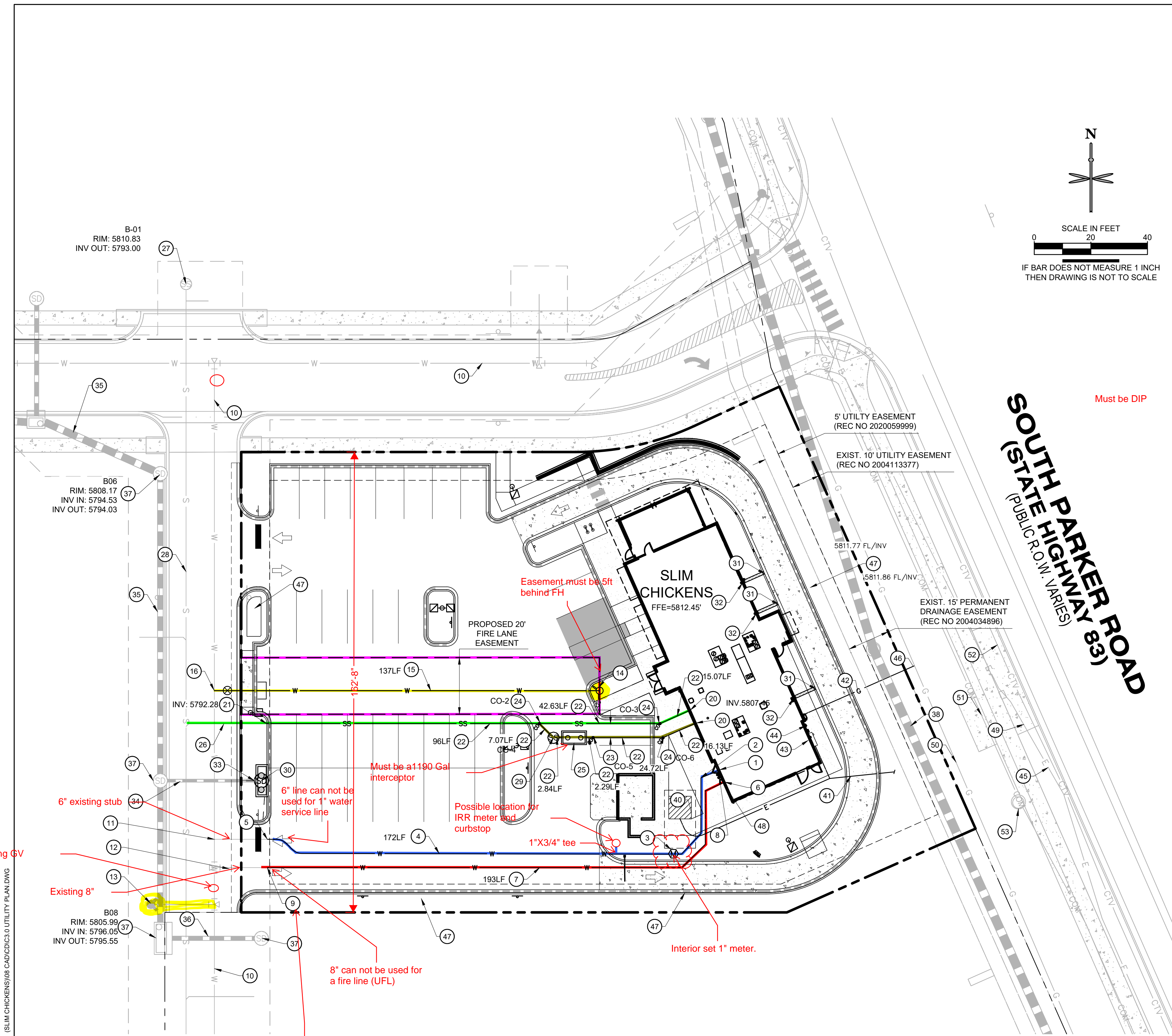
EES
ENTITLEMENT AND ENGINEERING SOLUTIONS, INC.
501 S Cherry St, Suite 300
Glendale, CO 80246
303-572-7957 www.ees.us.com



PARKER WATER & SANITATION DISTRICT
SLIM CHICKENS
SVC OF S. PARKER ROAD AND E. PINE LANE, PARKER, CO 80134
PWSO STANDARD NOTES

PROJECT NO: TSD003.01
DESIGNED BY: CAM
DRAWN BY: JLG
DATE: 01/05/2021

U0.1



WATER

- 1 PROPOSED 1" TYPE K COPPER DOMESTIC WATER CONNECTION TO BUILDING. STUB 5' OFF OF BUILDING. REFER TO PLUMBING PLANS UNDER SEPARATE COVER FOR CONTINUATION.
- 2 PROPOSED 1.5" TYPE K COPPER DOMESTIC WATER SERVICE LINE INSTALLED 5' AFTER METER TO BLDG.
- 3 PROPOSED 1" DOMESTIC WATER METER (2' FROM ANY CONCRETE).
- 4 PROPOSED 172 LF OF 1" TYPE K COPPER DOMESTIC WATER SERVICE LINE.
- 5 PROPOSED 6"x1" REDUCER.
- 6 PROPOSED 4" DIP FIRE SERVICE LINE (PRIVATE) CONNECTION TO BUILDING. REFER TO PLUMBING PLANS UNDER SEPARATE COVER FOR CONTINUATION.
- 7 PROPOSED 193 LF OF 4" DIP FIRE SERVICE LINE (PRIVATE).
- 8 PROPOSED FDC WITH APPROVED KNOX PLUGS/CAPS.
- 9 PROPOSED 8"x4" REDUCER.
- 10 8" PVC LOOPED WATER MAIN BY MASTER DEVELOPER.
- 11 6" WATER STUB WITH TEMP. BLOWOFF BY MASTER DEVELOPER.
- 12 4" STUB WITH TEMP. BLOWOFF BY MASTER DEVELOPER.
- 13 FIRE HYDRANT BY MASTER DEVELOPER.
- 14 PROPOSED FIRE HYDRANT
- 15 PROPOSED 137 LF OF 6" PVC FIRE LINE.
- 16 PROPOSED 6"x8" TEE AND VALVE.

SANITARY SEWER

- 20 PROPOSED 4" SANITARY SEWER STUB 5 FEET OFF BUILDING. REFER TO PLUMBING PLANS UNDER SEPARATE COVER FOR CONTINUATION.
- 21 PROPOSED 6" WYE SANITARY SEWER SERVICE CONNECTION WITH 4"x6" REDUCER. CONTRACTOR FIELD VERIFY AND NOTIFY ENGINEER OF ANY DISCREPANCIES.
- 22 PROPOSED 4" PVC SDR 35 SANITARY SEWER SERVICE @ 2.1% SLOPE.
- 23 PROPOSED HS-20 TRAFFIC RATED SANITARY SEWER CLEANOUT. REFER TO CLEANOUT TABLE THIS SHEET.
- 24 PROPOSED 45" BEND W/ HS-20 TRAFFIC RATED SANITARY SEWER CLEANOUT. REFER TO CLEANOUT TABLE THIS SHEET.
- 25 PROPOSED 1,000 GALLON GREASE INTERCEPTOR.
- 26 6" PVC SANITARY SERVICE STUB BY MASTER DEVELOPER.
- 27 SANITARY MANHOLE BY MASTER DEVELOPER. PROTECT IN PLACE.
- 28 8" PVC MAIN BY MASTER DEVELOPER.
- 29 PROPOSED 4" SAMPLING MANHOLE

STORM SEWER

- 30 PROPOSED PRIVATE CDOT TYPE R INLET. EXISTING MANHOLE TO BE REMOVED.
- 31 PROPOSED CHASE DRAIN.
- 32 PROPOSED DOWNSPOUT LOCATION.
- 33 CONNECTION TO EXISTING PRIVATE STORM SEWER STUB (12" RCP @ 1.0%) PROVIDED BY BY MASTER DEVELOPER. CONTRACTOR TO VERIFY INVERTS AND NOTIFY ENGINEER OF ANY DISCREPANCY.
- 34 PRIVATE 12" RCP STORM SEWER STUB AT 1.0% BY MASTER DEVELOPER. PROTECT IN PLACE.
- 35 PRIVATE 24" RCP STORM SEWER BY MASTER DEVELOPER. PROTECT IN PLACE.
- 36 PRIVATE 18" RCP STORM SEWER BY MASTER DEVELOPER. PROTECT IN PLACE.
- 37 PRIVATE STORM SEWER, INLET OR MANHOLE BY MASTER DEVELOPER. PROTECT IN PLACE.
- 38 PRIVATE 36" RCP STORM SEWER BY MASTER DEVELOPER. PROTECT IN PLACE.

DRY UTILITIES

- 40 PROPOSED 8' X 8' ELECTRICAL TRANSFORMER PAD. GENERAL CONTRACTOR TO PROVIDE CONCRETE PAD PER MANUFACTURER'S SPECIFICATIONS. REFER TO MEP PLANS FOR TRANSFORMER DESIGN UNDER SEPARATE COVER.
- 41 PROPOSED ELECTRIC LINE. (APPROXIMATE LOCATION. CONTRACTOR TO COORDINATE WITH PROJECT MEP AND UTILITY COMPANY PRIOR TO ANY CONSTRUCTION)
- 42 PROPOSED GAS LINE. (APPROXIMATE LOCATION. CONTRACTOR TO COORDINATE WITH PROJECT MEP AND UTILITY COMPANY PRIOR TO ANY CONSTRUCTION)
- 43 PROPOSED ELECTRICAL METER. (LOCATION FOR REFERENCE ONLY).
- 44 PROPOSED GAS METER. (LOCATION FOR REFERENCE ONLY).
- 45 PROPOSED ELECTRIC LINE CONNECTION TO EXISTING LINE. (LOCATION FOR REFERENCE ONLY).
- 46 PROPOSED GAS LINE CONNECTION TO EXISTING LINE. (LOCATION FOR REFERENCE ONLY).
- 47 PROPOSED LIGHT POLE, BASE AND FIXTURE (SEE PHOTOMETRIC PLAN UNDER SEPARATE COVER).
- 48 PROPOSED KNOX BOX (SEE ARCHITECTURAL PLANS UNDER SEPARATE COVER).
- 49 EXISTING UNDERGROUND ELECTRIC.
- 50 EXISTING UNDERGROUND GAS LINE.
- 51 EXISTING UNDERGROUND COMMUNICATION LINE.
- 52 EXISTING TELECOMMUNICATION LINE.
- 53 EXISTING UTILITY MANHOLE/STRUCTURE/BOX

UTILITY LEGEND

	PROPOSED PROPERTY LINE
	EXISTING MINOR CONTOUR
	EXISTING MAJOR CONTOUR
	MINOR CONTOUR
	MAJOR CONTOUR
	CURB AND GUTTER
	PROPOSED SITE LIGHTING
	PROPOSED STORM INLET AND MANHOLE
	SANITARY SEWER CLEANOUT
	EXISTING FIRE HYDRANT
	EXISTING SANITARY/STORM MANHOLE
	PROPOSED 1" WATER METER
	PROPOSED GAS
	PROPOSED ELECTRIC
	PROPOSED SANITARY
	PROPOSED WATER
	EXISTING STORM SEWER
	EXISTING STORM INLET
	EXISTING GAS LINE
	EXISTING ELECTRIC LINE
	EXISTING SANITARY LINE
	EXISTING WATER LINE

DATE	BY	REVISION

No.	

EES
ENTITLEMENT AND
ENGINEERING
SOLUTIONS, INC.
501 S Cherry St, Suite 300
Glendale, CO 80246
303-572-7957 www.ees.us.com

Life Changing Chicken
SLIM CHICKENS
Chicken tenders - Buffalo Wings - Sandwiches - Wraps

PARKER WATER & SANITATION DISTRICT
SLIM CHICKENS
SWC OF S. PARKER ROAD AND E. PINE LANE, PARKER, CO 80134
UTILITY PLAN

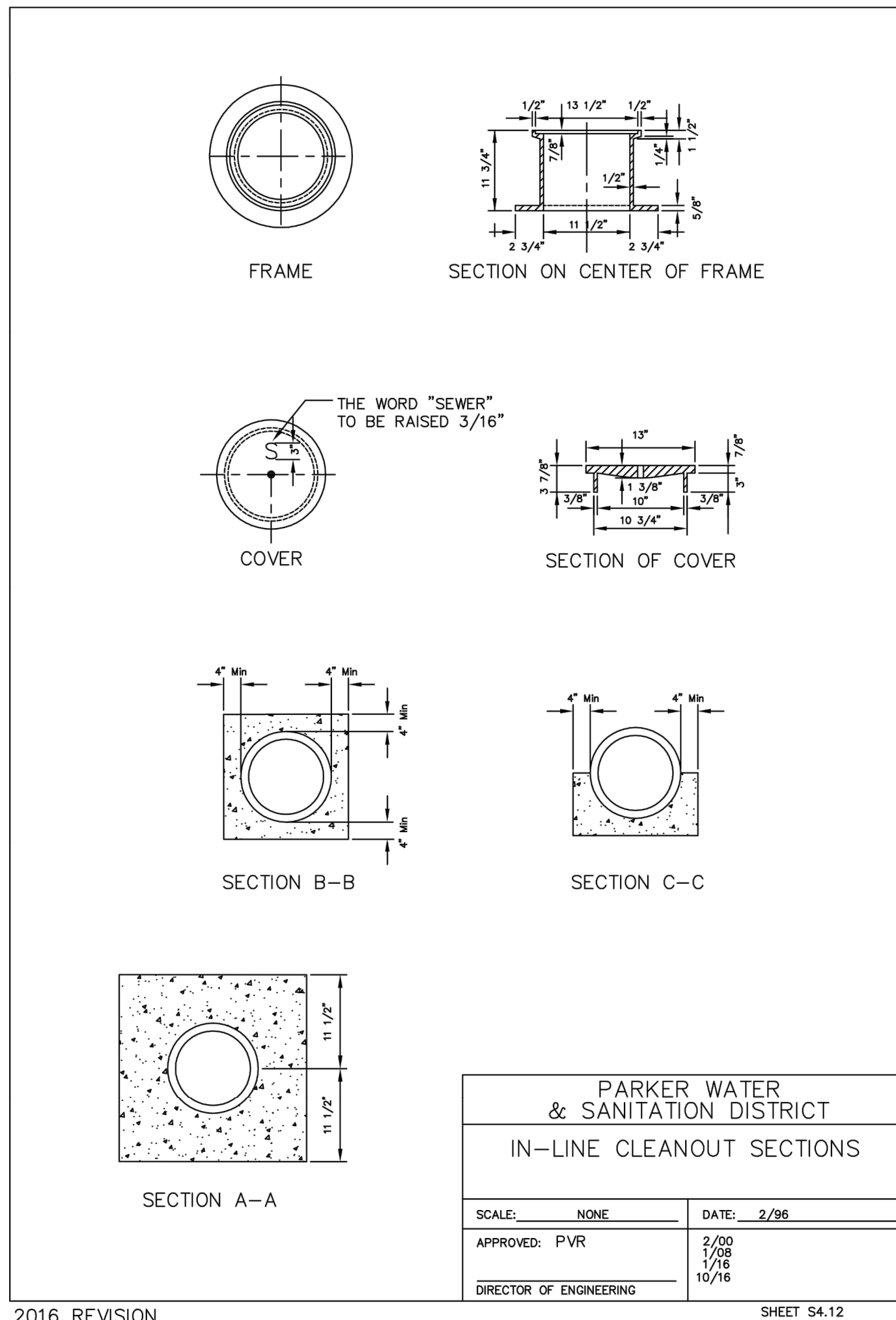
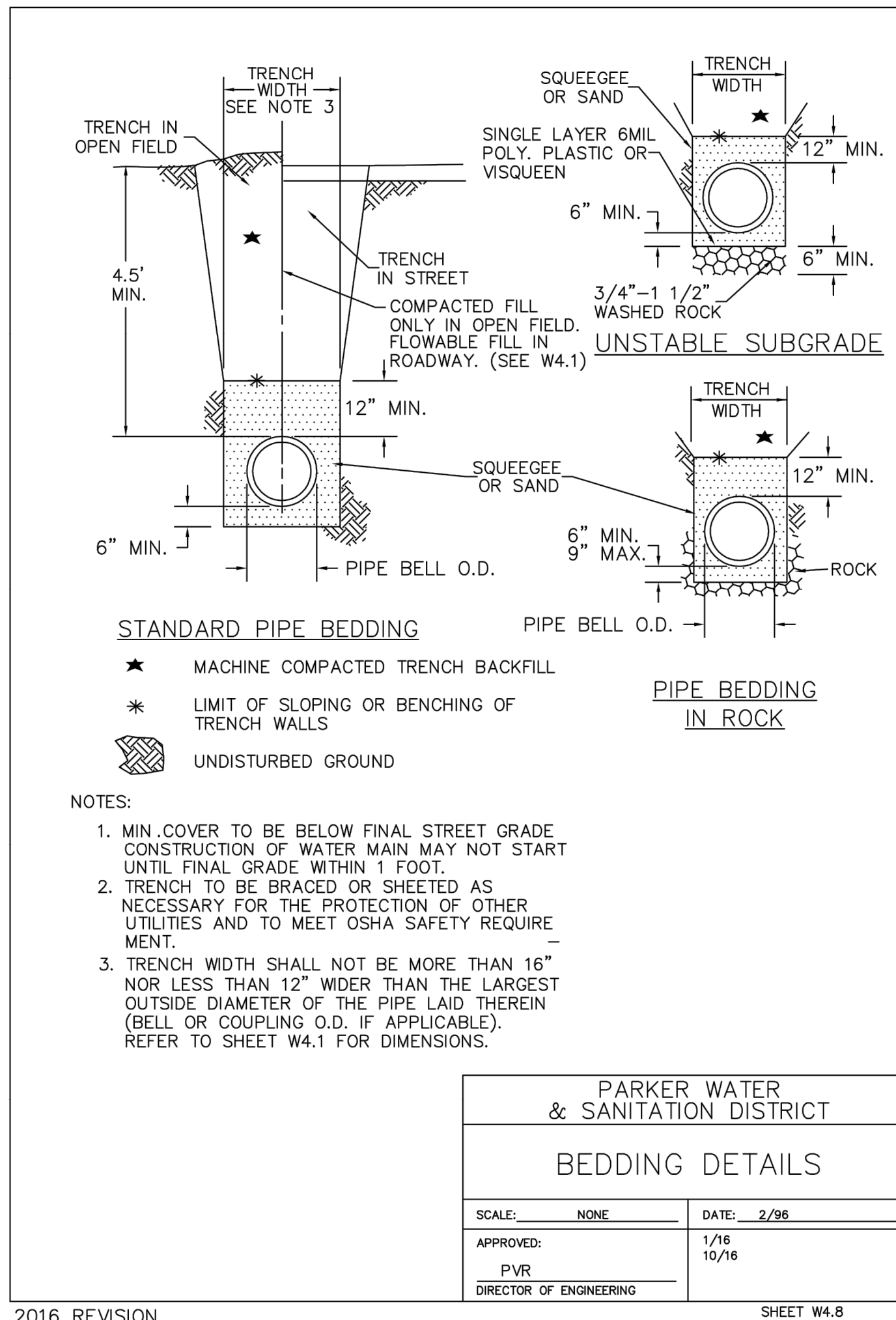
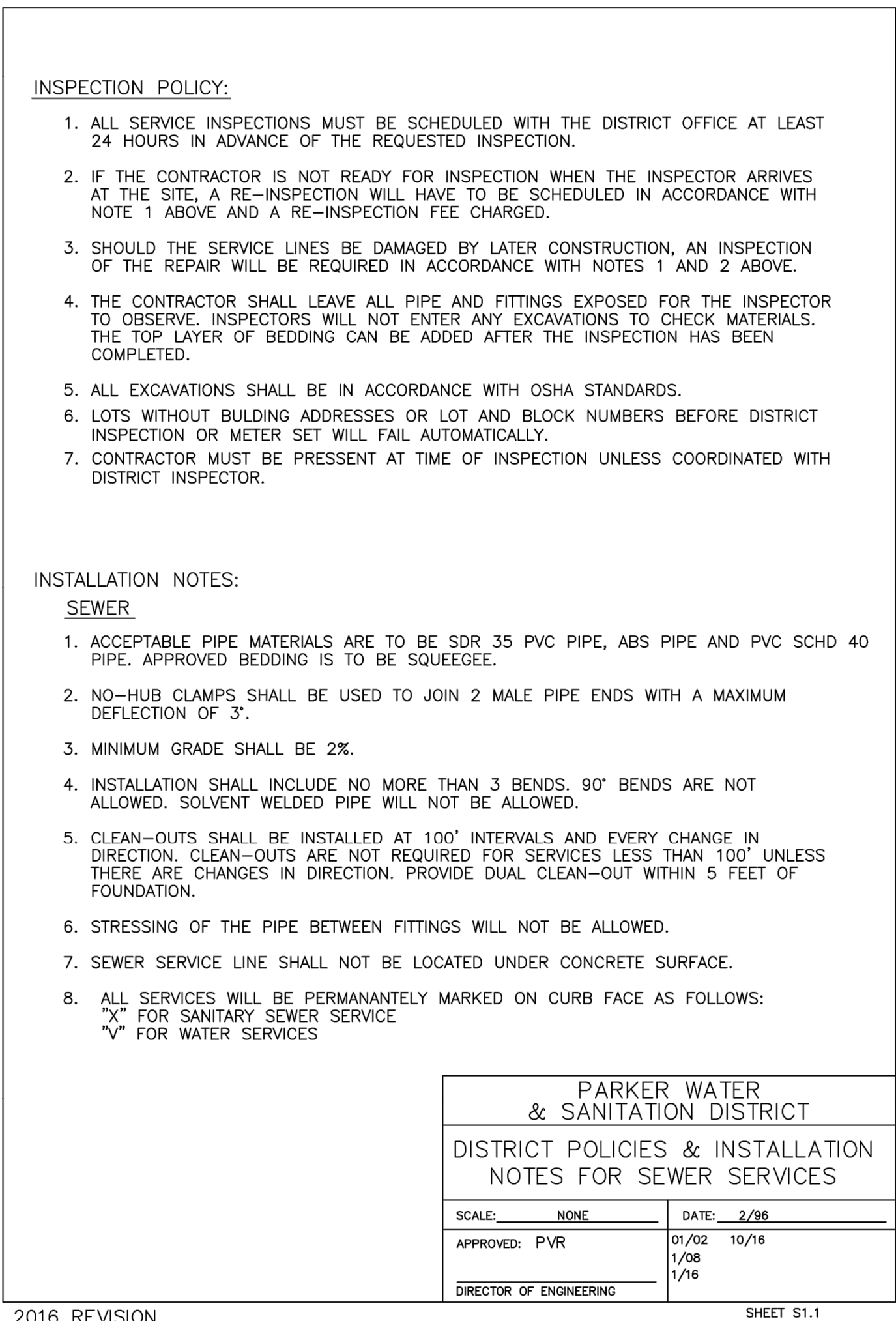
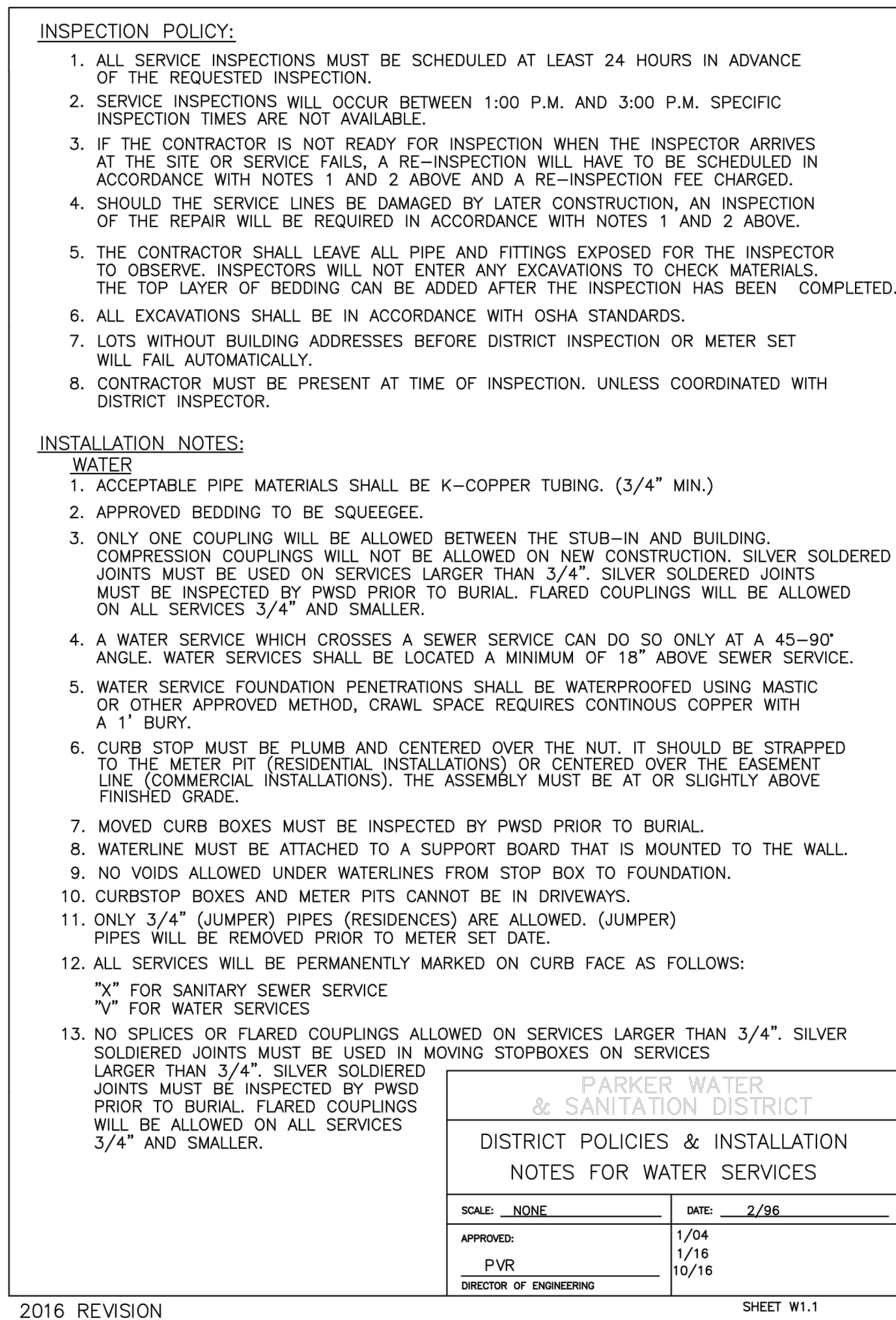
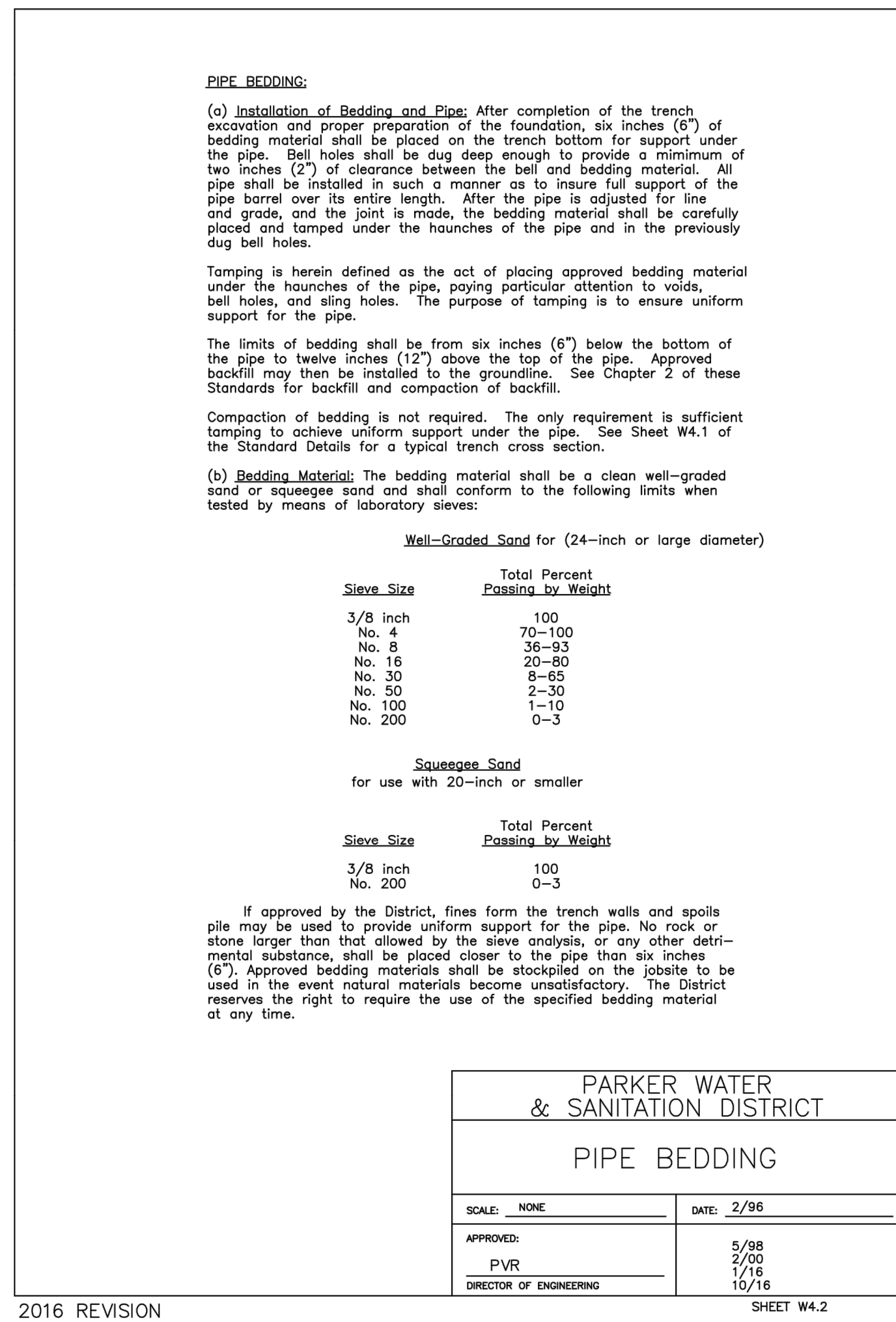
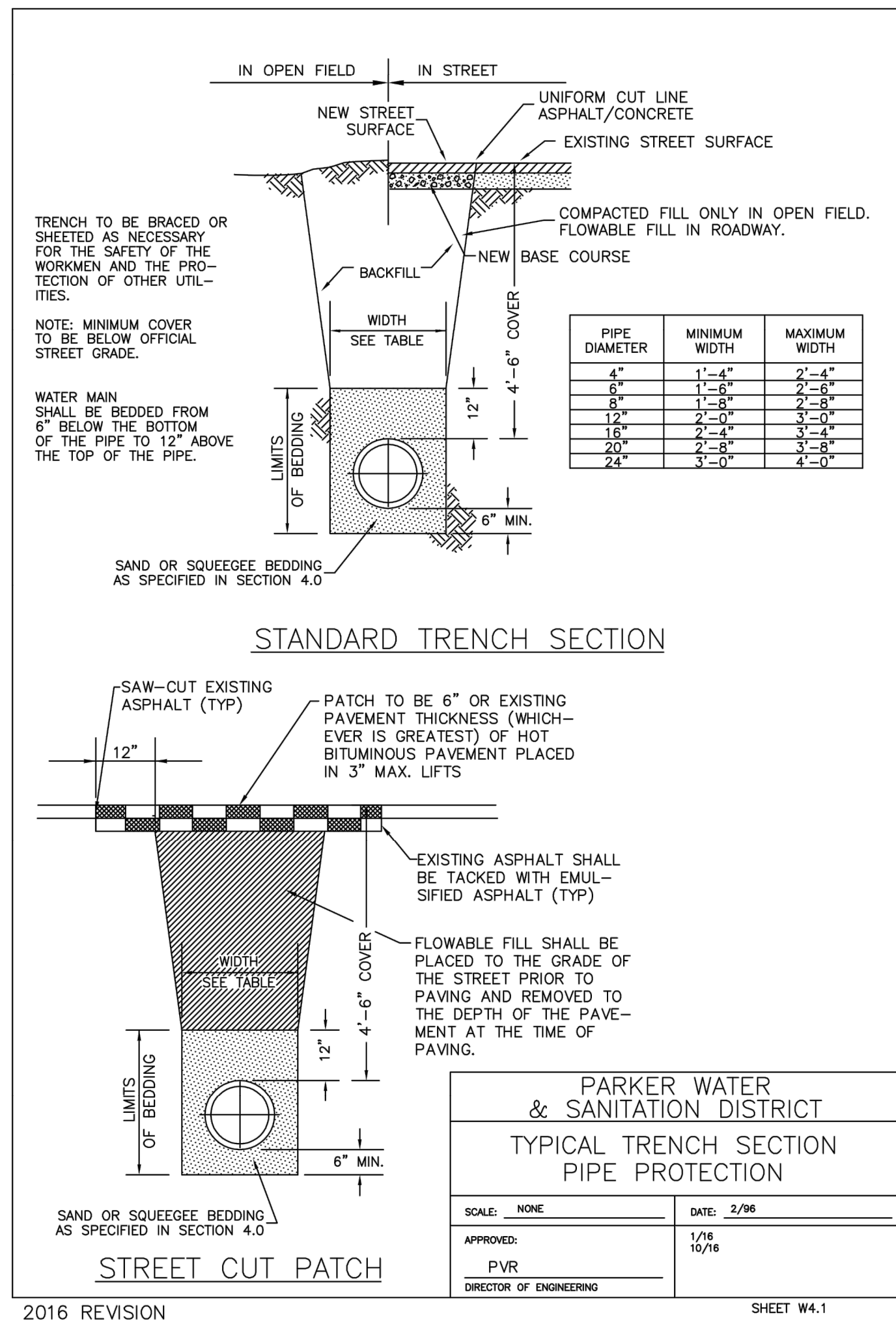
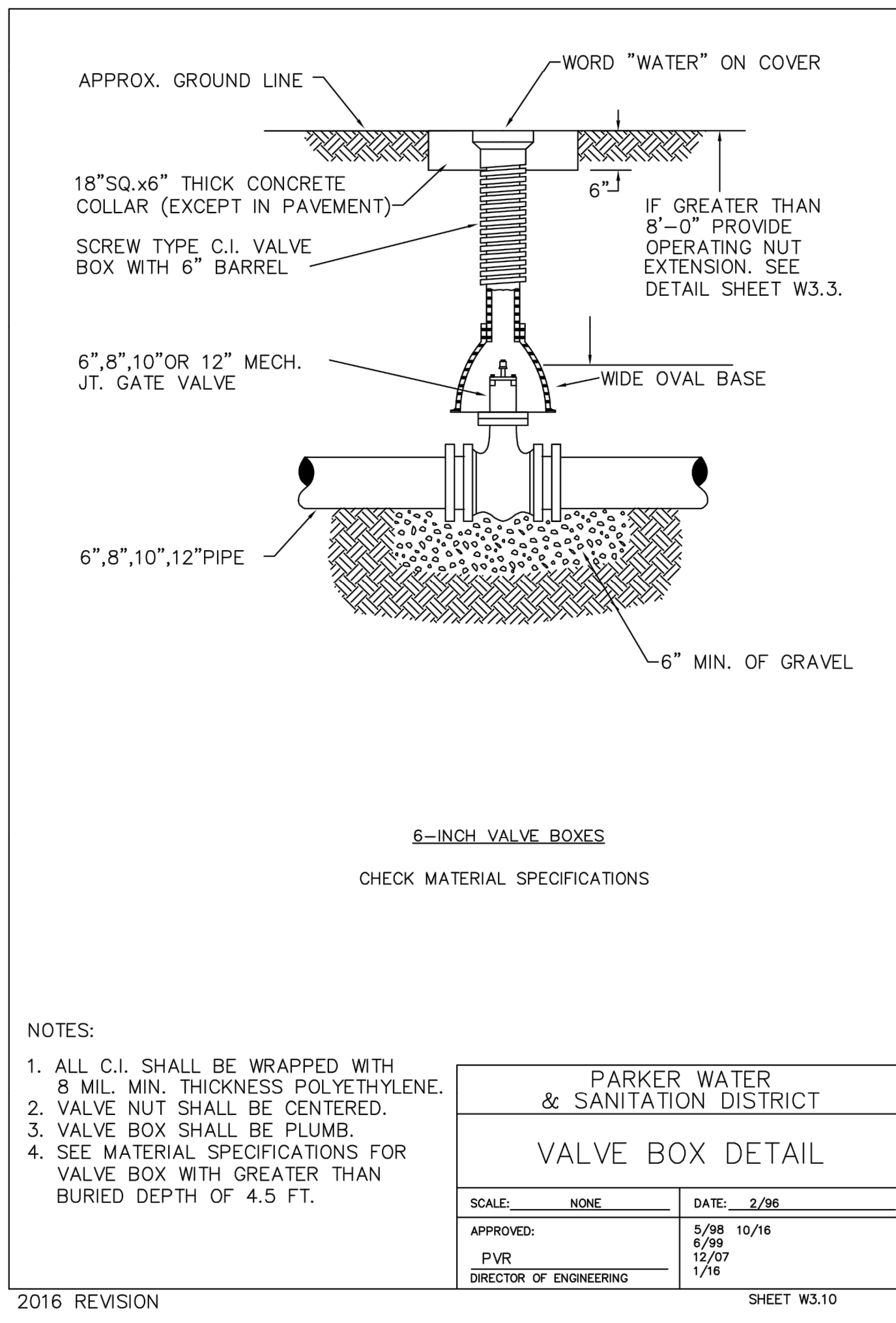
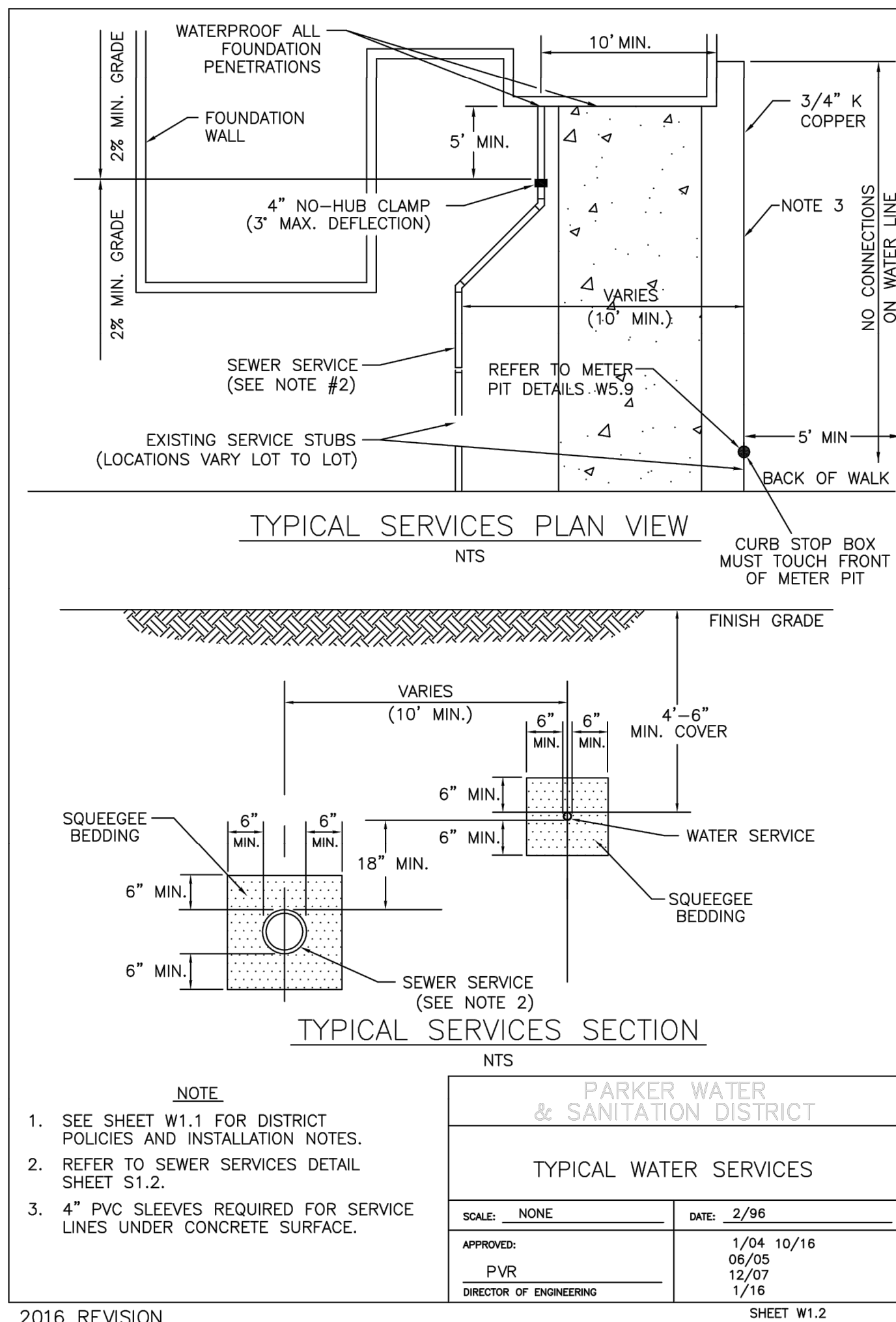
PROJECT NO: TSD003.01
DESIGNED BY: CAM
DRAWN BY: JLG
DATE: 01/05/2021

U1.0

811
CALL UTILITY NOTIFICATION
CENTER OF COLORADO
1-800-922-1987 or 811

CALL 3-BUSINESS DAYS (NOT INCLUDING INITIAL DAY OF CONTACT) IN ADVANCE BEFORE YOU DIG, GRADE, OR EXCAVATE FOR THE MARKING OF UNDERGROUND MEMBER UTILITIES.

Know what's below.
Call before you dig.



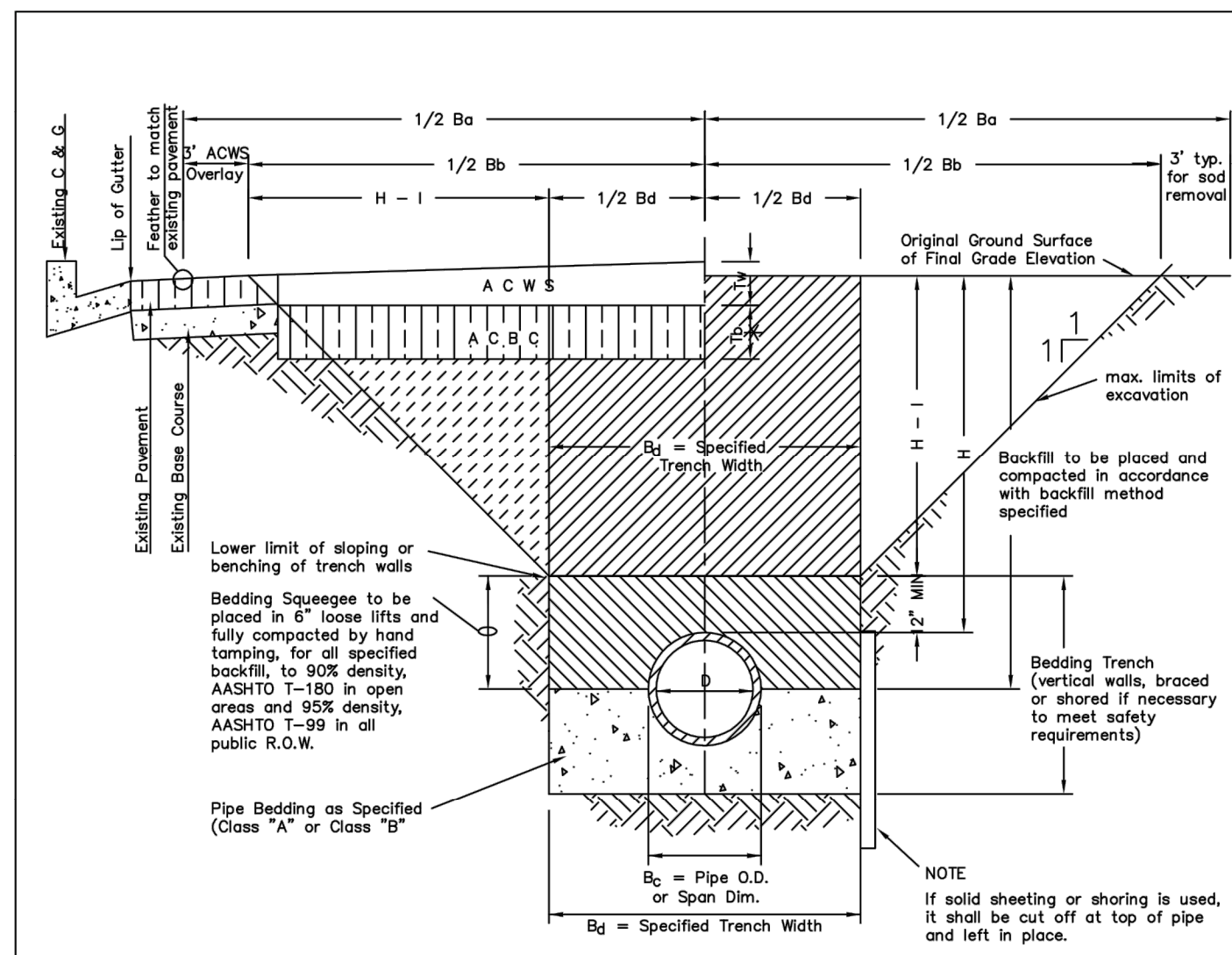
PITLAL STAR DEVELOPMENT CO. PARKER - PARKER ROAD & PINE LANE (SLIM CHICKENS) CAD/CADD/DWG-1-D-1. WATER & SANITARY SEWER DETAILS DWG

DATE	
BY	
REVISION	
No.	

Life Changing Chicken SLIM CHICKENS
Chicken tenders - Buffalo Wings - Sandwiches - Wraps

PROJECT NO: TSD003.01
DESIGNED BY: CAM
DRAWN BY: JLG
DATE: 01/05/2021

U2.0



TYPICAL TRENCH DETAIL

- NOTES**
1. Sloping or benching of trench side walls, where permitted shall be in accordance with applicable Federal, State and Local safety regulations.
 2. Trench shall be braced and shored as necessary to afford safe working conditions or to protect adjacent utilities, structures, etc. Unless otherwise specified on the plans, no pavement will be made for removal, replacement or relocation of curb and gutter, utilities, sidewalk, structures, etc. outside the maximum limits of excavation as shown and the contractor shall be responsible for protection of same.
 3. If dimension "B₂" is < 5', then existing asphalt pavement shall be removed and replaced up to the gutter. Maximum asphalt pavement width, B₂ & B₃ shall then be based upon this actual width.
- TABLE II**
ASPHALT AND BASE COURSE REPLACEMENT SCHEDULE
- | STREET WIDTH | ASPHALTIC BASE COURSE (T ₁) | ASPHALTIC WEARING SURFACE (T ₂) | TOTAL THICKNESS (T ₁ + T ₂) |
|----------------|---|---|--|
| UP TO 36' | 4" | 2" | 6" |
| 36' TO 44' | 4" | 3" | 7" |
| 44' TO 48' | 5" | 3" | 8" |
| WIDER THAN 48' | 6" | 3" | 9" |

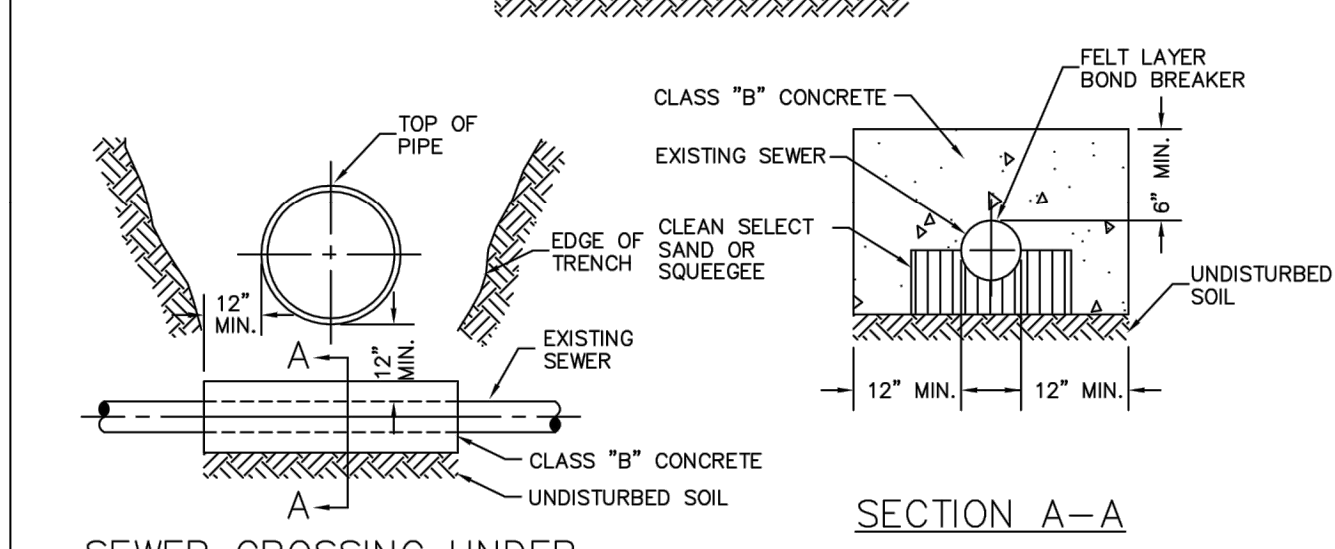
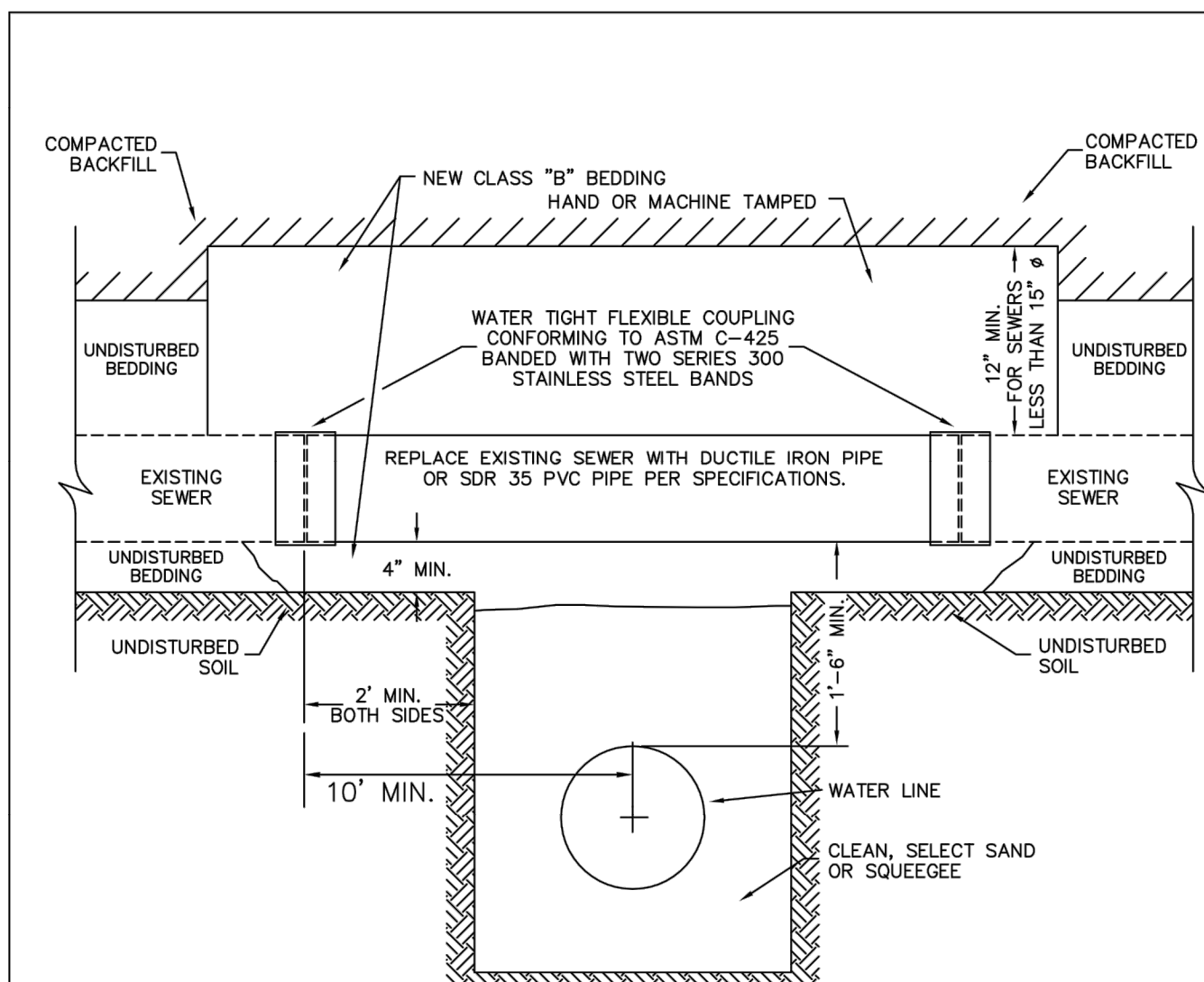
PARKER WATER & SANITATION DISTRICT
SEWER TRENCHING AND BEDDING DETAIL

SCALE: NONE DATE: 2/96

APPROVED: PVR 5/98 1/16

DIRECTOR OF ENGINEERING

SHEET S4.1



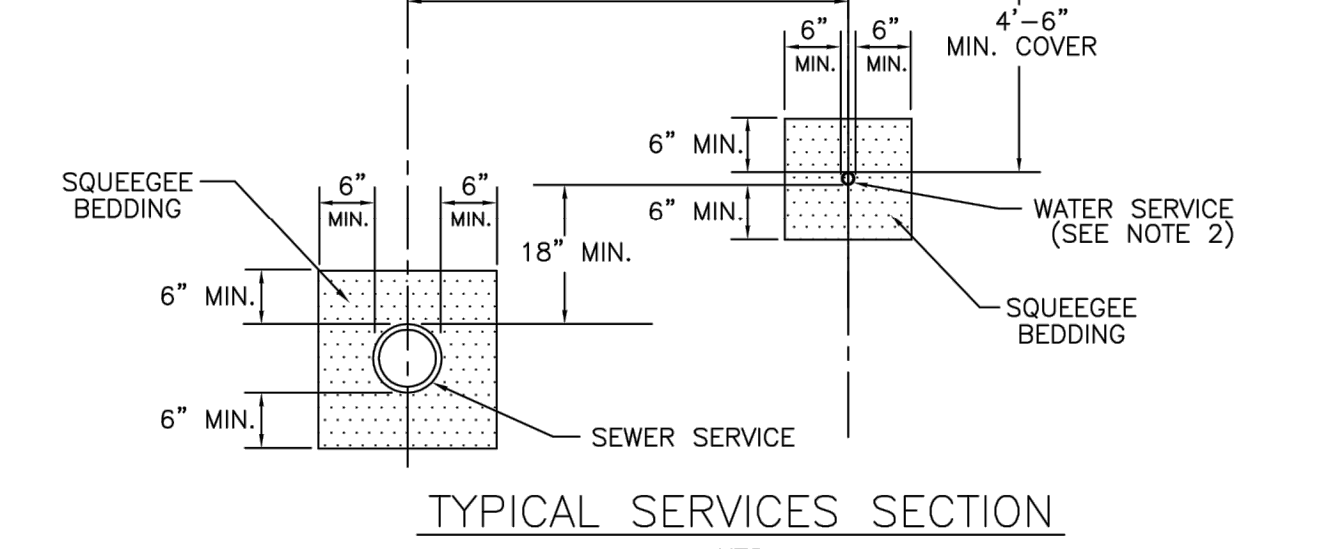
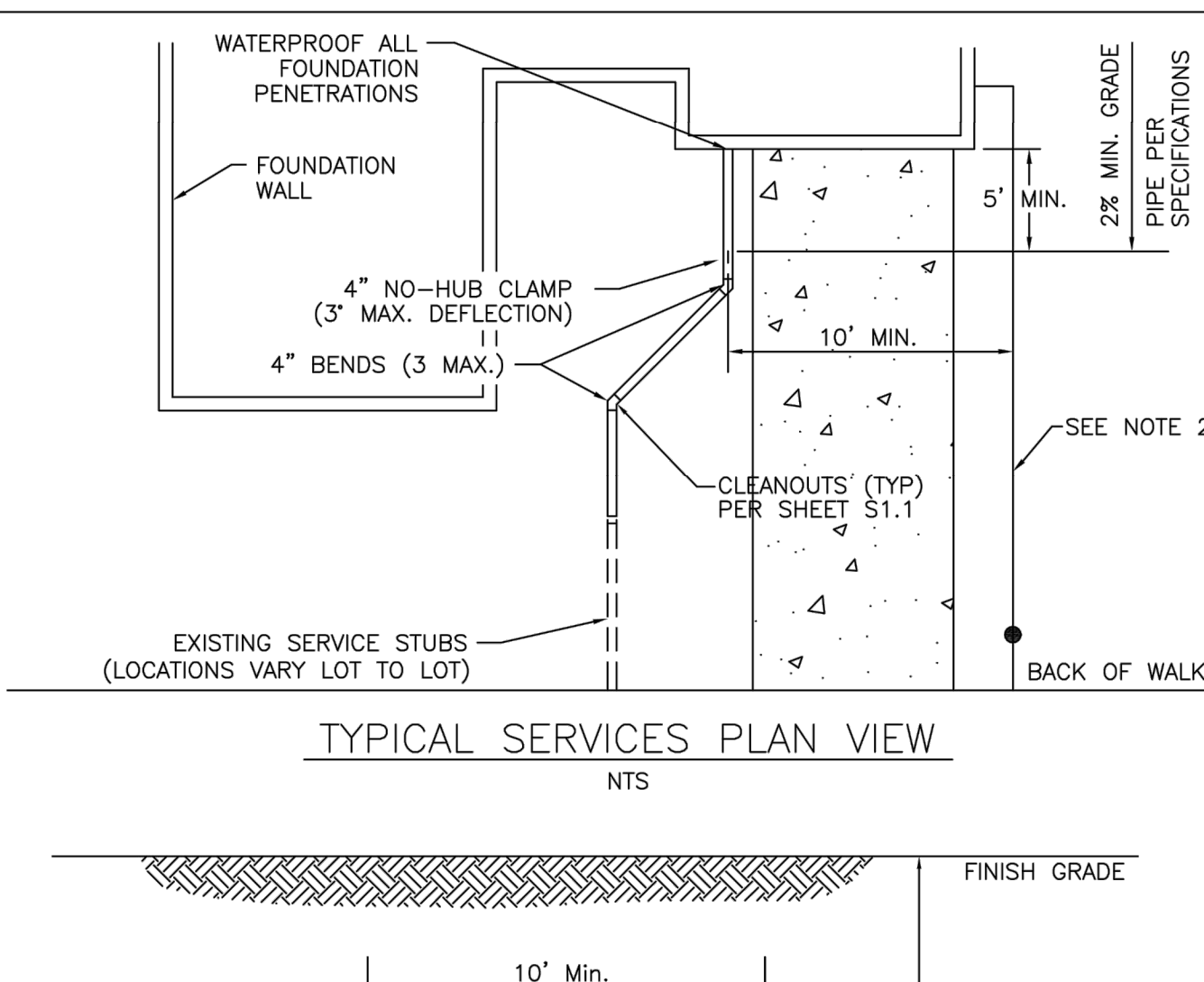
PARKER WATER & SANITATION DISTRICT
CROSSING STORM & SANITARY SEWERS

SCALE: NONE DATE: 2/96

APPROVED: PVR 1/16 10/16

DIRECTOR OF ENGINEERING

SHEET W4.7



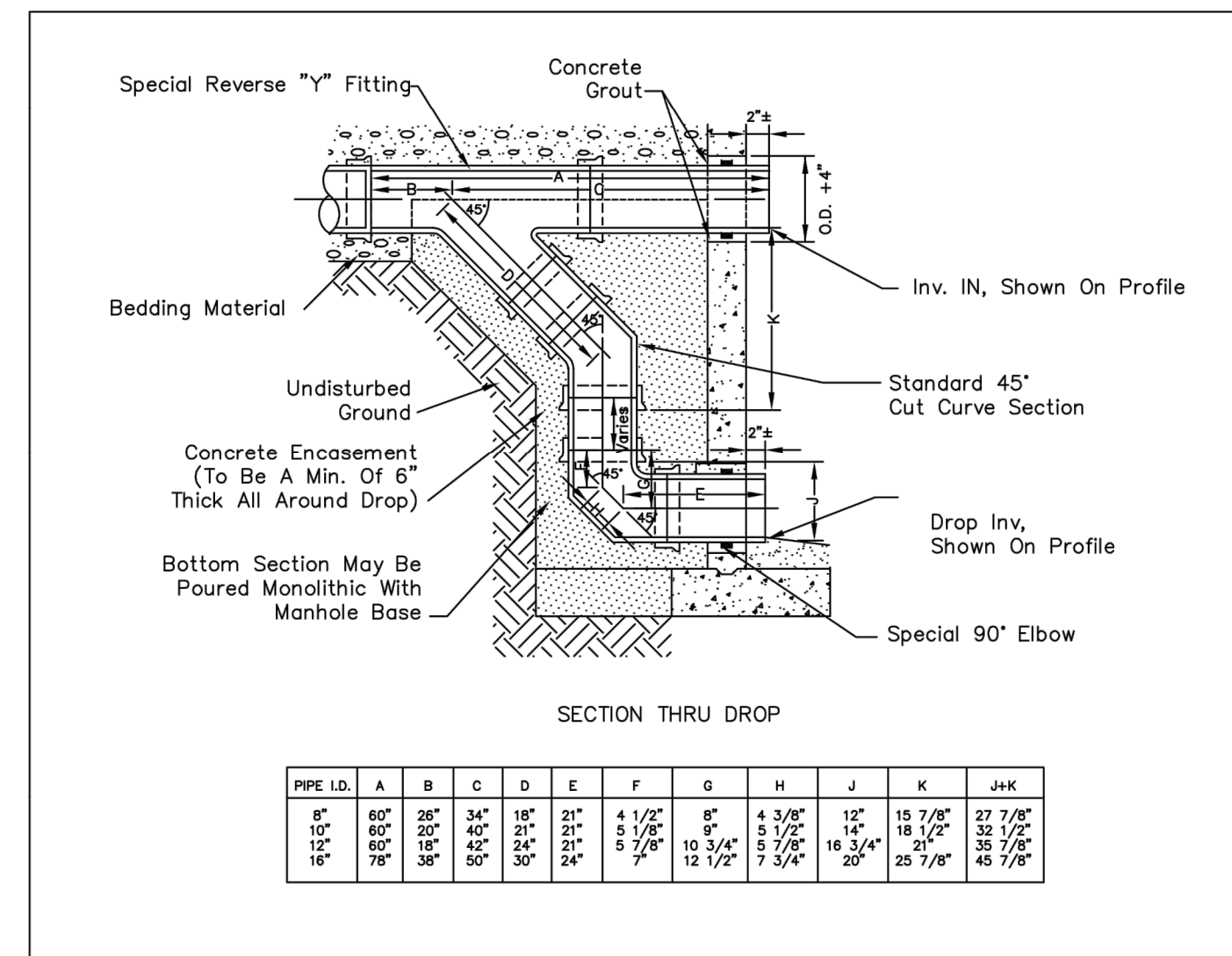
PARKER WATER & SANITATION DISTRICT
TYPICAL SEWER SERVICES

SCALE: NONE DATE: 2/96

APPROVED: PVR 2/00 01/02 01/16 10/16

DIRECTOR OF ENGINEERING

SHEET S1.2



SECTION THRU DROP

PIPE I.D.	A	B	C	D	E	F	G	H	J	K	J+K
8"	60"	28"	34"	21"	4 1/2"	8"	4 3/8"	12"	15 7/8"	27 7/8"	27 7/8"
10"	60"	30"	34"	21"	5 1/8"	8"	4 3/8"	12"	18 1/2"	33 1/2"	33 1/2"
12"	60"	32"	34"	21"	6 1/4"	8"	4 3/8"	12"	18 1/2"	33 1/2"	33 1/2"
14"	60"	34"	34"	21"	7 1/4"	8"	4 3/8"	12"	18 1/2"	33 1/2"	33 1/2"
16"	60"	36"	34"	21"	8 1/4"	8"	4 3/8"	12"	18 1/2"	33 1/2"	33 1/2"

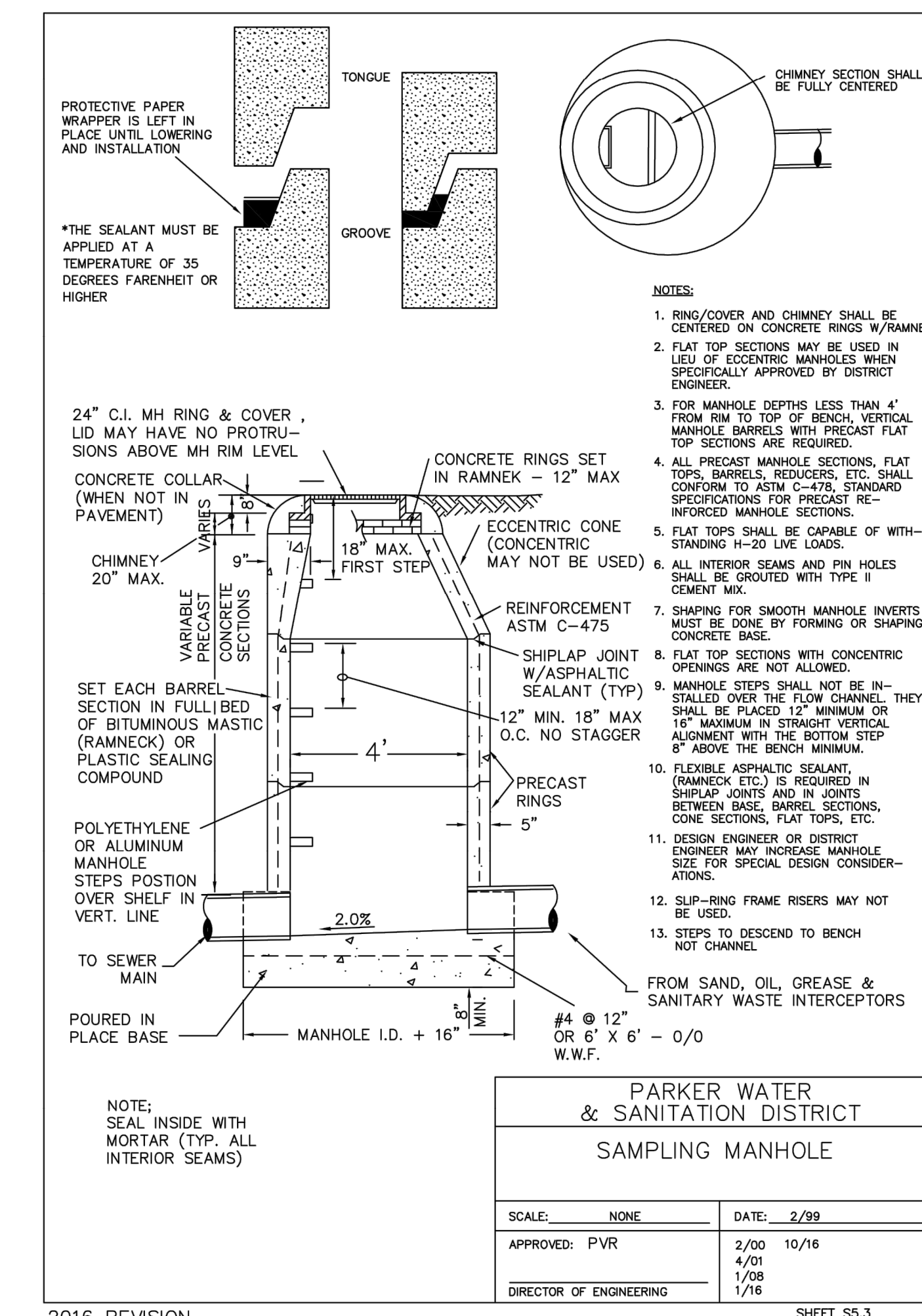
PARKER WATER & SANITATION DISTRICT
OUTSIDE DROP MANHOLE CONSTRUCTION

SCALE: NONE DATE: 2/96

APPROVED: PVR 01/16 10/16

DIRECTOR OF ENGINEERING

SHEET S3.8



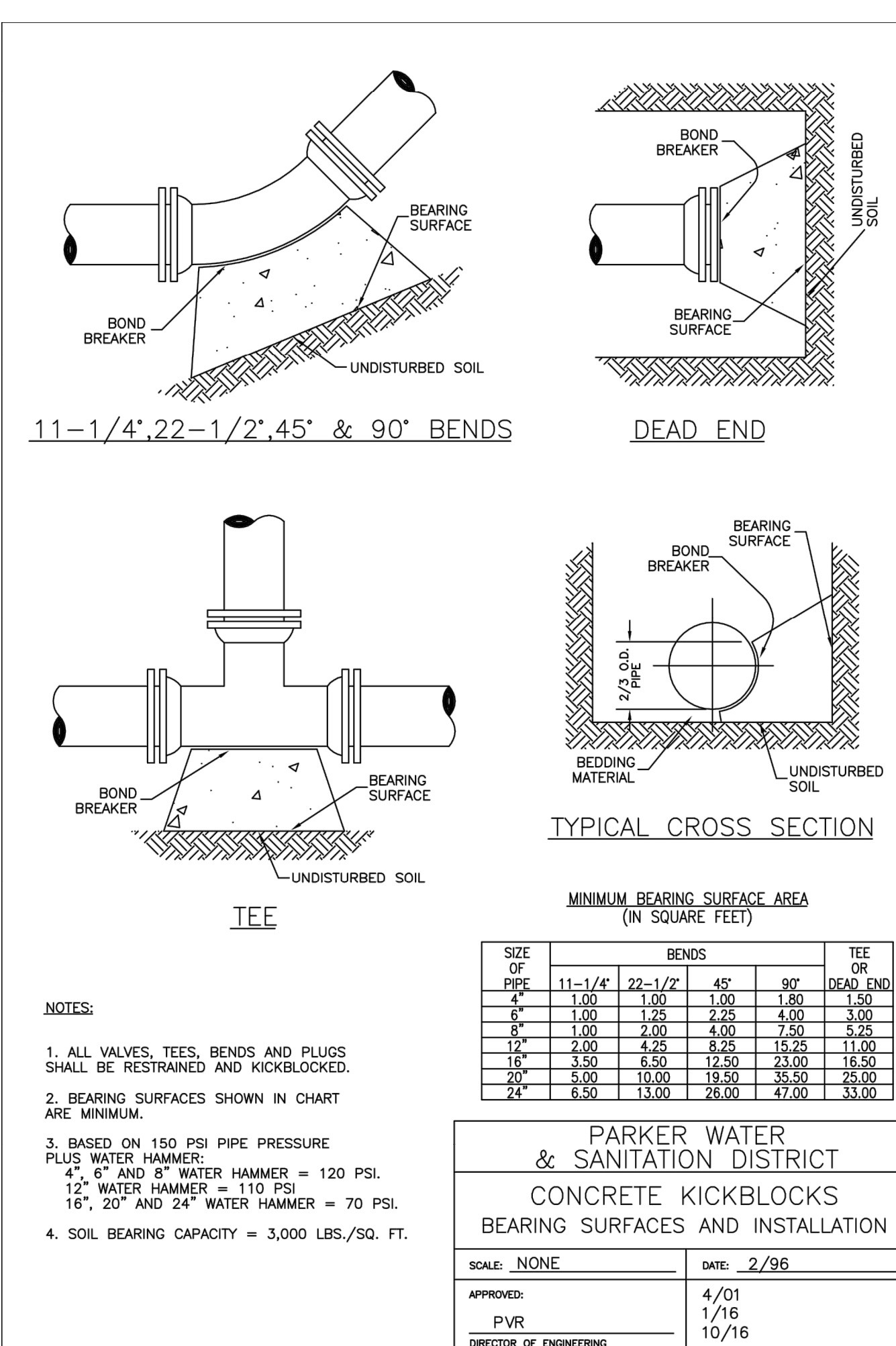
PARKER WATER & SANITATION DISTRICT
SAMPLING MANHOLE

SCALE: NONE DATE: 2/99

APPROVED: PVR 2/00 10/16 4/01 1/09 1/16

DIRECTOR OF ENGINEERING

SHEET S5.3



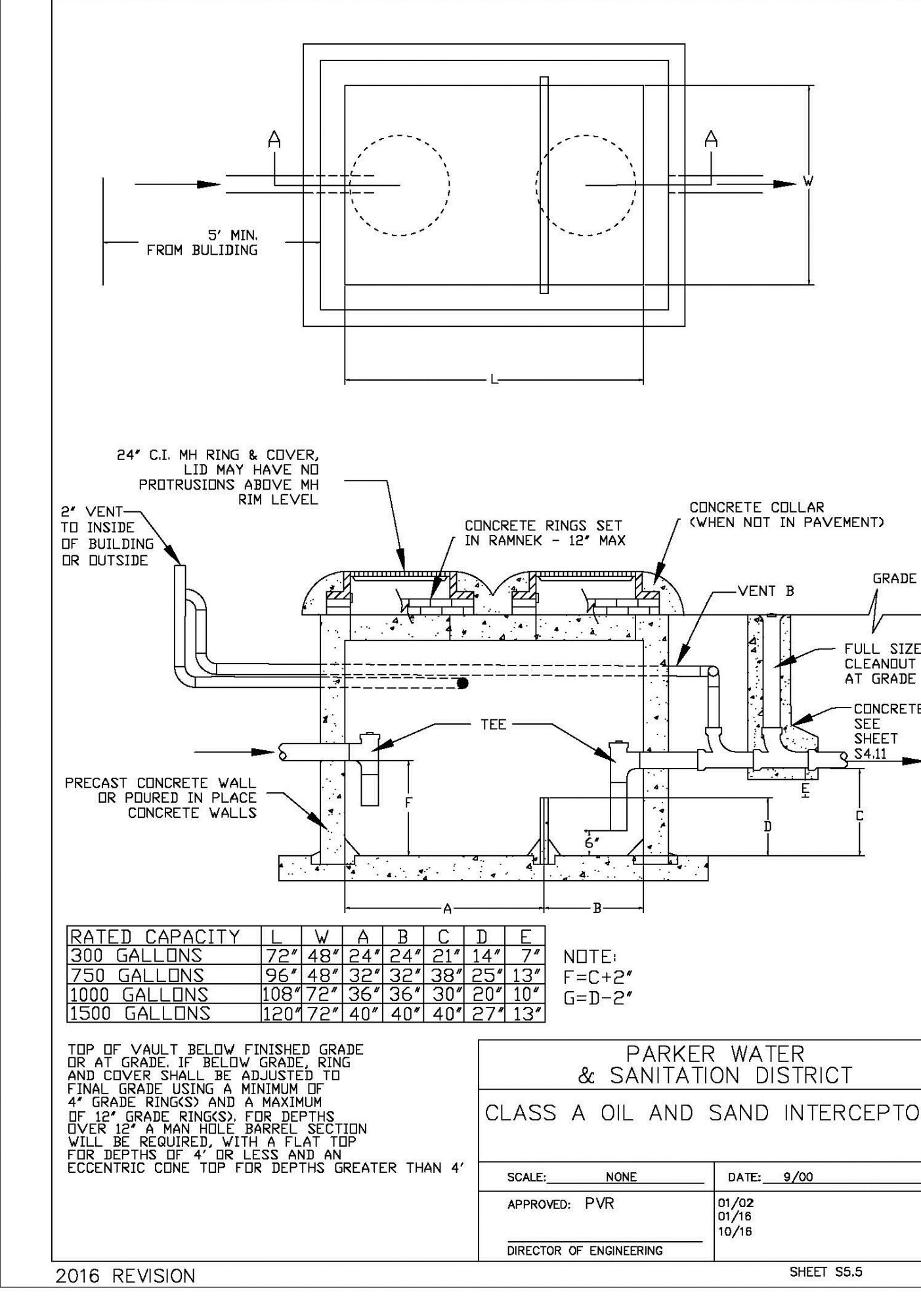
PARKER WATER & SANITATION DISTRICT
CONCRETE KICKBLOCKS BEARING SURFACES AND INSTALLATION

SCALE: NONE DATE: 2/96

APPROVED: PVR 4/01 1/16 10/16

DIRECTOR OF ENGINEERING

SHEET S4.7



PARKER WATER & SANITATION DISTRICT
CLASS A OIL AND SAND INTERCEPTOR

SCALE: NONE DATE: 9/00

APPROVED: PVR 01/02 01/16 10/16

DIRECTOR OF ENGINEERING

SHEET S5.5

PITLAW STAR DEVELOPMENT CO. PARKER - PARKER ROAD & PINE LANE (SLIM CHICKENS) CAD/CADD/DWG 1.02.1 WATER & SANITARY SEWER DETAILS DWG

EES
ENTITLEMENT AND ENGINEERING SOLUTIONS, INC.
501 S Cherry St, Suite 300
Glendale, CO 80246
303-572-7957 www.eeslls.com

SLIM CHICKENS
Life Changing Chicken
Chicken tenders - Buffalo Wings - Sandwiches - Wraps

PARKER WATER & SANITATION DISTRICT
SLIM CHICKENS
SHEET S4.1
SHEET W4.7
SHEET S1.2
SHEET S3.8
SHEET S5.3
SHEET S4.7
SHEET S5.5

PROJECT NO: TSD003.01
DESIGNED BY: CAM
DRAWN BY: JLG
DATE: 01/05/2021

U2.1

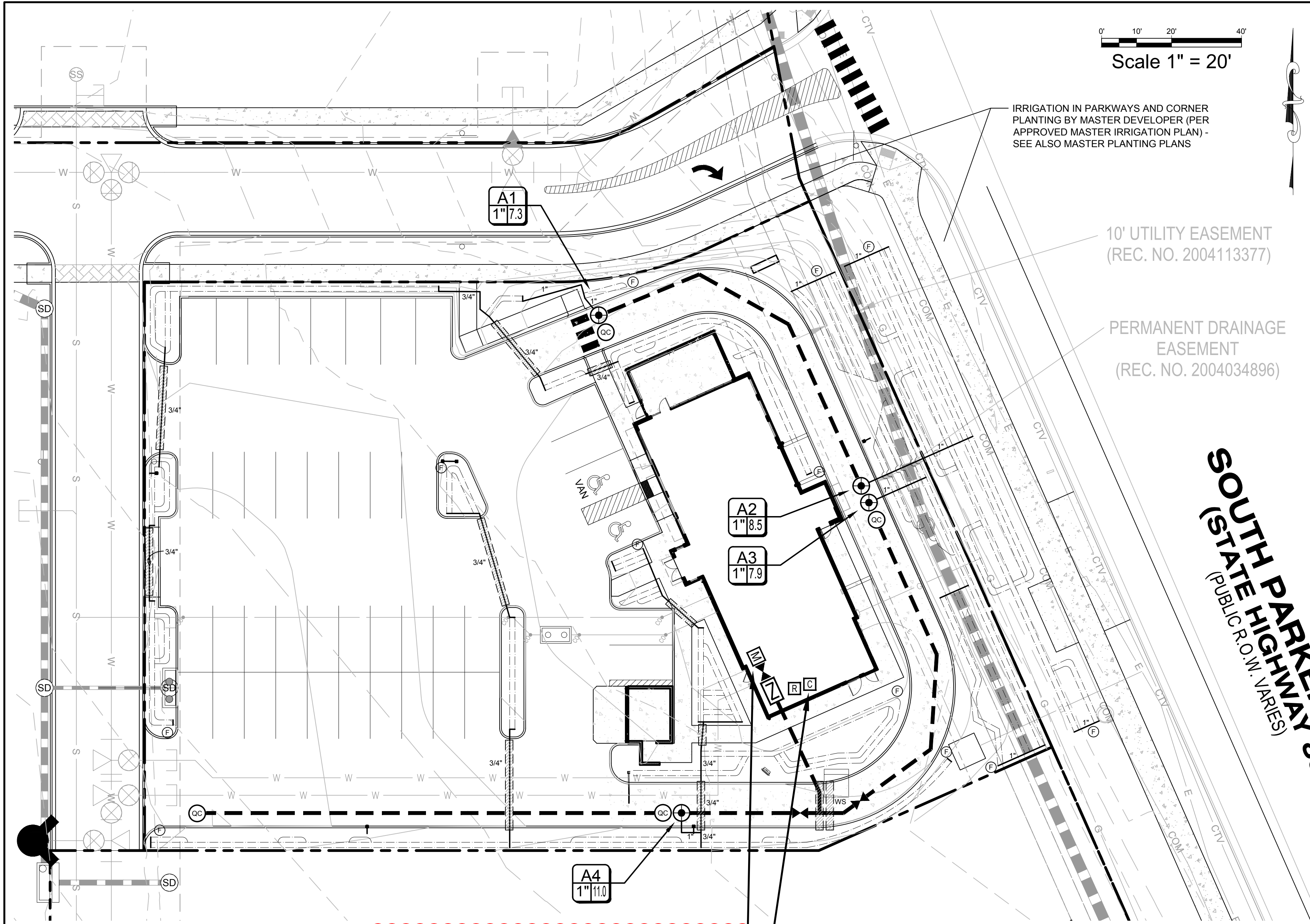
Scale 1" = 20'

IRRIGATION IN PARKWAYS AND CORNER PLANTING BY MASTER DEVELOPER (PER APPROVED MASTER IRRIGATION PLAN) - SEE ALSO MASTER PLANTING PLANS

10' UTILITY EASEMENT (REC. NO. 2004113377)

PERMANENT DRAINAGE EASEMENT (REC. NO. 2004034896)

SOUTH PARKER ROAD (PUBLIC R.O.W. VARIES)
STATE HIGHWAY 83



POINT OF CONNECTION
CONNECT MAINLINE DOWNSTREAM OF 3/4" WATER METER (BY OTHERS). VERIFY LOCATION IN FIELD.

CONTROLLER NOTE
LOCATE CONTROLLER AT LOCATION SHOWN ON PLAN. VERIFY LOCATION IN FIELD WITH OWNER'S REPRESENTATIVE.

120 VAC POWER TO CONTROLLER LOCATION IS NOT WITHIN THE IRRIGATION CONTRACTOR'S SCOPE OF WORK, AND SHALL BE PROVIDED BY OTHERS. HOOK-UP OF CONTROLLER TO 120 VAC SHALL BE PERFORMED BY THE IRRIGATION CONTRACTOR. IRRIGATION CONTRACTOR SHALL COORDINATE LOCATION OF WIRE SLEEVE PENETRATIONS THROUGH BUILDING WITH OWNER AND GENERAL CONTRACTOR. STATION RUN ORDER SHALL MATCH PLANS.

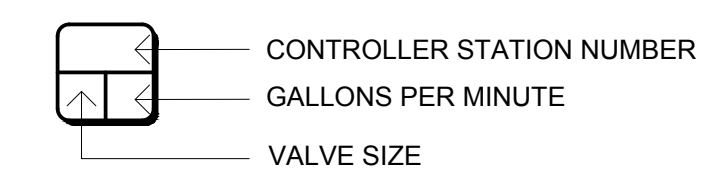
Needs to be on separate meter

IRRIGATION LEGEND

SYMBOL	MANUF.	MODEL NO.	DESCRIPTION	REMARKS/DETAIL
CONTROLLERS AND SENSORS				
C	RAINBIRD	ESP4ME3	4-STATION CONTROLLER, INTERIOR/EXTERIOR WALL MOUNT	DETAIL A1-4
R	RAINBIRD	WR2-RFC	RAINFREEZE SENSOR - MOUNT SENSOR ON EAVE OR PARAPET PER MANUFACTURER	DETAIL B1-4
POINT OF CONNECTION				
M	---	---	3/4" WATER METER (BY OTHERS)	DETAIL K1-5
Z	FEBCO	MODEL 825YA - 3/4"	BACKFLOW PREVENTER WITH LF650A Y-STRAINER. MOUNT IN STRONGBOX INSULATED ENCLOSURE, MODEL SB8C-22CR.	DETAIL C1-4
VALVES				
+	RAINBIRD	XGZ-100-PRB-COM	DRIP CONTROL ZONE KIT (FLOWS UP TO 20 GPM)	DETAIL D1-4
⊙	RAINBIRD	33DLRC	QUICK COUPLER, 3/4"	DETAIL E1-5
X	NIBCO	T-FP-600A	BALL VALVE, BRASS, FULL-PORT, LINE SIZE	DETAIL F1-5
MAIN LINE/LATERALS & SLEEVES				
---	ANY APPROVED	PRESSURIZED PVC MAIN LINE, SCH. 40, 1-1/4"		DETAIL G1-5
---	ANY APPROVED	NON-PRESSURIZED LATERAL LINE, CL. 200 PVC, SIZE AS NOTED ON PLAN		DETAIL G1-5
---	ANY APPROVED	IRRIGATION SLEEVE, SCH. 40 PVC, MIN. TWICE SIZE OF PIPE TO BE INSERTED, ONE SLEEVE PER PIPE		DETAIL G1-5
---	ANY APPROVED	CONTROL WIRING SLEEVE, SCH. 40 PVC, 2"		DETAIL G1-5
DRIP IRRIGATION				
---	RAINBIRD	XFS-06-18	LANDSCAPE DRIP LINE - SPACE LINES AT 18" O.C.	0.6 GPH 20 DETAILS H, I1-5
⊕	ANY APPROVED	---	FLUSH VALVE - BALL VALVE IN VALVE BOX WITH 3' LENGTH OF TUBING	DETAIL J1-5

NOTE: FOR EACH NEW TREE WITHIN AREAS COVERED BY LANDSCAPE DRIP LINE, ADD THREE PC-07 (OR EQUAL) EMITTERS WITH DIFFUSER CAPS, PER DETAILS

VALVE KEY



SLEEVING / WIRING NOTES:

IN ADDITION TO PROVIDING SLEEVES FOR ALL PIPING UNDER ROADWAYS AND WALKWAYS, THE IRRIGATION CONTRACTOR SHALL PROVIDE AND INSTALL SCH. 40 PVC SLEEVES FOR ALL CONTROLLER WIRES OCCURRING UNDER ALL ROADWAYS AND WALKWAYS. SLEEVES FOR CONTROLLER WIRES SHALL BE 2" DIA. AND CONTAIN NO MORE THAN 25 WIRES.

IRRIGATION DISCLAIMER

THIS DESIGN IS DIAGRAMMATIC. ALL PIPING, VALVES, AND OTHER EQUIPMENT SHOWN WITHIN PAVED AREAS OR OUT OF PROPERTY BOUNDARIES ARE FOR DESIGN CLARIFICATION ONLY, AND SHALL BE INSTALLED IN PLANTING AREAS WITHIN THE PROPERTY LINES OR LIMITS INDICATED ON PLAN. THE IRRIGATION CONTRACTOR SHALL VERIFY THE LOCATIONS OF ALL ABOVE-GRADE IRRIGATION EQUIPMENT WITH THE OWNER'S AUTHORIZED REPRESENTATIVE PRIOR TO INSTALLATION, OR IRRIGATION CONTRACTOR MAY BE REQUIRED TO MOVE SUCH ITEMS AT HIS OWN COST.

IRRIGATION CONTRACTOR IS RESPONSIBLE FOR VERIFYING ALL FINAL QUANTITIES PER DRAWINGS AND SPECIFICATIONS. ANY QUANTITIES PROVIDED ARE PROVIDED AS A CONVENIENCE TO THE CONTRACTOR ONLY AND SHALL NOT BE CONSIDERED ABSOLUTE.

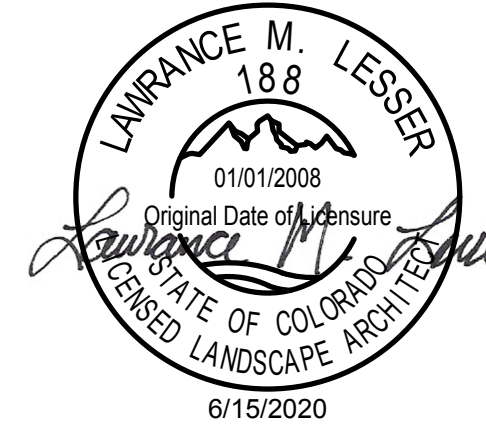
AUTOMATIC DRAIN VALVES AND AIR RELIEF VALVES

INSTALL AUTOMATIC DRAIN VALVES AT THE LOW POINTS OF EACH LATERAL LINE (MIN. 2 PER VALVE) AS PER DETAIL L. SHEET L14. INSTALL AIR RELIEF VALVES ON DRIP SYSTEMS AT THE LOCATIONS SHOWN ON THE PLANS, AS AS PER DETAILS.

CITY NOTES

NO SUBSTANTIAL CHANGE FROM THE APPROVED LANDSCAPE PLAN MAY OCCUR WITHOUT PRIOR REVIEW OF THE PARKER WATER AND SANITATION DISTRICT, WHICH MAY REQUIRE ADDITIONAL IRRIGATION TAPS FOR CHANGES DUE TO MORE WATER INTENSIVE LANDSCAPING.

APPLICANT/DEVELOPER _____ DATE _____



THE TOWN OF PARKER REVIEW CONSTITUTES GENERAL COMPLIANCE WITH THE TOWN'S STANDARDS AND APPROVED VARIANCES, SUBJECT TO THESE PLANS BEING STAMPED, SIGNED, AND DATED BY THE PROFESSIONAL ENGINEER OF RECORD. REVIEW BY THE TOWN DOES NOT CONSTITUTE APPROVAL OF THE PLAN DESIGN OR ACCURACY AND CORRECTNESS OF ENGINEERING CALCULATIONS. ERRORS IN THE DESIGN OR CALCULATIONS REMAIN THE RESPONSIBILITY OF THE REGISTERED PROFESSIONAL ENGINEER WHOSE STAMP AND SIGNATURE ARE AFFIXED TO THIS DOCUMENT. THIS REVIEW DOES NOT CONSTITUTE APPROVAL OF ANY PRIVATE ON-SITE IMPROVEMENTS WHICH MAY BE SHOWN. CONSTRUCTION CANNOT COMMENCE UNTIL ALL REQUIRED DRAINAGE/TRAFFIC REPORT(S), FINAL DEVELOPMENT PLAN(S), SPECIAL REVIEW(S), GRADING PERMIT, AND/OR OTHER PERMITS ARE COMPLETE, APPROVED AND ON FILE WITH THE TOWN OF PARKER.

TOWN OF PARKER, _____ DATE _____
DIRECTOR OF ENGINEERING/PUBLIC WORKS

811
Know what's below. Call before you dig.
CALL UTILITY NOTIFICATION CENTER OF COLORADO
1-800-922-1987 or 811
CALL 3-BUSINESS DAYS (NOT INCLUDING INITIAL DAY OF CONTACT) IN ADVANCE BEFORE YOU DIG, GRADE, OR EXCAVATE FOR THE MARKING OF UNDERGROUND MEMBER UTILITIES.

DATE _____ BY _____
REVISION _____
No. _____

EVERGREEN DESIGN GROUP
1755 Telesar Dr., Ste 300
Colorado Springs, CO 80920
www.EvergreenDesignGroup.com

EES
ENTIREMENT AND ENGINEERING SOLUTIONS, INC.
501 S Cherry St, Suite 300
Glendale, CO 80246
303-572-7957 www.ees.us.com

SLIM CHICKENS
Life Changing Chicken
Slim Chickens
Chicken tenders - Buffalo Wings - Sandwiches - Salads - Wraps

SITE PLAN
SLIM CHICKENS
SWC OF S. PARKER ROAD AND E. PINE LANE, PARKER, CO 80134
IRRIGATION PLAN

PROJECT NO: TSD003.01
DESIGNED BY: CAM
DRAWN BY: CAM
DATE: 06/15/2020

L-3

IRRIGATION SPECIFICATIONS

GENERAL

- A. QUALIFICATIONS OF IRRIGATION CONTRACTOR**
- ALL WORK SHOWN ON THESE PLANS SHALL BE PERFORMED BY A SINGLE IRRIGATION CONTRACTING FIRM SPECIALIZING IN IRRIGATION SYSTEMS. SEE THE IRRIGATION PLAN FOR SPECIFIC EQUIPMENT AND SYSTEM LAYOUT.
 - THE IRRIGATION CONTRACTOR MUST HAVE ON ITS STAFF A LICENSED IRRIGATION INSTALLER, AS REGULATED BY THE APPROPRIATE LOCAL JURISDICTION. A LICENSED IRRIGATION INSTALLER SHALL BE PRESENT AT THE PROJECT SITE AT ALL TIMES AS WORK IS IN PROGRESS. THE OWNER MAY DEMAND THAT WORK STOP UNTIL THE CONTRACTOR PROVIDES FOR A LICENSED IRRIGATION INSTALLER TO BE PRESENT AT THE PROJECT SITE AND SUPERVISING ALL IRRIGATION WORK.
 - A LIST OF SUCCESSFULLY COMPLETED PROJECTS OF THIS TYPE, SIZE AND NATURE MAY BE REQUESTED BY THE OWNER FOR FURTHER QUALIFICATION MEASURES.
- B. SCOPE OF WORK**
- WORK COVERED BY THESE SECTIONS INCLUDES THE FURNISHING AND PAYMENT OF ALL MATERIALS, LABOR, SERVICES, EQUIPMENT, LICENSES, TAXES, FEES, AND ANY OTHER ITEMS THAT ARE NECESSARY FOR THE EXECUTION, INSTALLATION AND COMPLETION OF ALL WORK SPECIFIED HEREIN AND/OR SHOWN ON THE IRRIGATION PLANS, NOTES, AND TABLES.
 - ALL WORK SHALL BE PERFORMED IN ACCORDANCE WITH ALL APPLICABLE LAWS, CODES AND REGULATIONS REQUIRED BY AUTHORITIES HAVING JURISDICTION OVER SUCH WORK, INCLUDING ALL INSPECTIONS AND PERMITS REQUIRED BY FEDERAL, STATE AND LOCAL AUTHORITIES IN SUPPLY, TRANSPORTATION AND INSTALLATION OF MATERIALS. IN CASE OF CONFLICT BETWEEN THESE PLANS AND LOCAL AND/OR STATE CODES, CODES SHALL PREVAIL.
 - THE INTENT OF THE IRRIGATION SYSTEM IS TO PROVIDE 100% COVERAGE OF ALL LANDSCAPE AREAS. THE IRRIGATION PLAN IS GENERALLY DIAGRAMMATIC; COORDINATE IRRIGATION INSTALLATION WITH UTILITY INSTALLATIONS. ACTUAL LOCATION OF CONTROLLER, BACKFLOW DEVICE, PIPING, VALVES, SPRAY HEADS, DRIP IRRIGATION, AND RELATED EQUIPMENT MAY NEED TO BE ADJUSTED BASED ON ACTUAL SITE CONDITIONS.
 - FOR CLARITY PURPOSES, SOME IRRIGATION LINES AND EQUIPMENT ARE SHOWN IN HARDSCAPE AREAS WITHOUT ACCESS SLEEVES. THESE LINES SHALL BE INSTALLED IN A COMMON TRENCH OR AT THE BACK OF CURB IN LANDSCAPE AREAS. MINOR OVER ADJUSTMENTS SHALL BE MADE AT NO ADDITIONAL COST TO THE OWNER.

PRODUCTS

- A. ALL MATERIALS SHALL BE NEW AND WITHOUT FLAWS OR DEFECTS OF ANY TYPE AND SHALL BE THE BEST OF THEIR CLASS AND KIND. ALL MATERIALS SHALL HAVE A MINIMUM GUARANTEE OF ONE YEAR AGAINST MATERIAL OR DEFECTIVE WORKMANSHIP. ALL MATERIALS SHALL BE OF THE BRANDS AND TYPES NOTED ON THE DRAWINGS OR AS SPECIFIED HEREIN, OR APPROVED EQUAL. THE CONTRACTOR MUST FIRST OBTAIN APPROVAL FROM THE IRRIGATION DESIGNER FOR AN APPROVED EQUAL BEFORE INSTALLING SUCH MATERIALS IN THE FIELD. OR THE CONTRACTOR MAY BE REQUIRED TO REPLACE SUCH MATERIALS AT HIS OWN COST.**
- B. BACKFLOW PREVENTION DEVICES SHALL BE OF THE SIZE AND TYPE INDICATED ON THE DRAWINGS. INSTALL BACKFLOW PREVENTION UNITS IN ACCORDANCE WITH IRRIGATION CONSTRUCTION DETAILS AND ALL APPLICABLE STATE AND LOCAL CODES AND ORDINANCES.**
- C. PIPING**
- PRESSURE SUPPLY LINES, DOWNSTREAM OF THE POINT-OF-CONNECTION:
 - SCHEDULE 40 PVC FOR ALL PIPE 1-1/2" OR LESS
 - CLASS 315 PVC FOR ALL PIPE 2" TO 2-1/2"
 - CLASS 200 PVC, GASKETED, FOR ALL PIPE 3" AND LARGER
 - SLEEPING AND NON-PRESSURE LATERAL LINES (DOWNSTREAM FROM VALVES); CLASS 200 PVC
 - FITTINGS: SCH. 40 PVC, EXCEPT AS NOTED OTHERWISE.
- D. VALVES AND DRIP VALVE ASSEMBLIES:** TYPE AND SIZE AS NOTED ON PLANS. EACH VALVE SHALL BEAR A PRE-MANUFACTURED, NUMBERED WATERPROOF TAG BEARING A NUMBER CORRESPONDING TO ITS VALVE SEQUENCE OF OPERATION ON THE CONTROLLER. THE OPERATION SEQUENCE SHALL MATCH THAT AS SHOWN ON THE PLANS.
- E. QUICK COUPLERS, BALL VALVES, AND GATE VALVES:** TYPE AND SIZE PER PLANS.
- F. VALVE BOXES:** TYPE AND SIZE AS NOTED ON DETAILS. ALL VALVE BOXES SHALL BE LOCKING BOLT-DOWN TYPE, FURNISHED WITH LIDS AND BOLTS. BOXES SHALL BE OF A SIZE TO CONTAIN THE ENTIRE VALVE AND/OR VALVE ASSEMBLY. THE VALVE BOX LID SHALL HAVE THE VALVE STATION NUMBER HEAT-BRANDED INTO THE LID WITH 2" HIGH LETTERS.
- G. FIXED SPRAY HEADS AND ROTORS:** PLASTIC BODY POP-UP, WITH A REMOVABLE PLASTIC SPRAY NOZZLE. EXACT TYPE, MODEL, AND NOZZLE SHALL BE AS INDICATED ON PLANS.
- H. INTEGRAL EMITTER DRIP TUBING:** TUBING MODEL AS NOTED ON PLANS, WITH INTEGRAL EMITTERS WELDED TO THE INSIDE WALL OF THE TUBING AS AN INTEGRAL PART OF THE TUBING ASSEMBLY.
- I. AUTOMATIC CONTROLLER:** TYPE AND MODEL PER PLANS. PROVIDE VANDAL-PROOF ENCLOSURE FOR ALL EXTERIOR INSTALLATIONS. PROVIDE LINE-VOLTAGE DISCONNECT SWITCH WITH GROUND FAULT PROTECTION.
- J. 24 VOLT WIRE SHALL BE A MINIMUM OF #14 GAUGE. U.F. APPROVED FOR DIRECT BURIAL, SINGLE CONDUCTOR IRRIGATION WIRE. EACH CONTROLLER SHALL HAVE A DIFFERENT COLOR STATION AND COMMON WIRE.**
- STATION WIRE - ANY COLOR EXCEPT WHITE OR BLUE
 - COMMON WIRE - WHITE
 - EXTRA COMMON WIRES - BLUE
- K. WIRE SPLICES SHALL BE ENCASED IN A WATERPROOF COMPOUND OR GEL. ALL FIELD SPLICES SHALL BE LOCATED IN A 6 INCH ROUND VALVE BOX.**
- L. RAIN SENSOR:** TYPE AND MODEL PER PLANS.

METHODS

- A. THIS DESIGN IS DIAGRAMMATIC. ALL PIPING, VALVES, AND OTHER EQUIPMENT SHOWN WITHIN PAVED AREAS OR OUT OF PROPERTY BOUNDARIES ARE FOR DESIGN CLARIFICATION ONLY, AND SHALL BE INSTALLED IN PLANTING AREAS WITHIN THE PROPERTY LINES OR LIMITS INDICATED ON PLAN. THE IRRIGATION CONTRACTOR SHALL VERIFY THE LOCATIONS OF ALL ABOVE-GRADE IRRIGATION EQUIPMENT WITH THE OWNER'S AUTHORIZED REPRESENTATIVE PRIOR TO INSTALLATION. OR IRRIGATION CONTRACTOR MAY BE REQUIRED TO MOVE SUCH ITEMS AT HIS OWN COST. ENSURE FIELD COORDINATION IS MADE EARLY ON IN THE CONSTRUCTION PHASE SO PLACEMENT LOCATION IS CORRECT.**
- B. THE IRRIGATION CONTRACTOR SHALL MEET WITH THE OWNER'S REPRESENTATIVE PRIOR TO COMMENCEMENT OF WORK, AND SHALL OBTAIN ALL ENGINEERING, LANDSCAPE, AND OTHER APPLICABLE PLANS & DOCUMENTS. THE CONTRACTOR SHALL THOROUGHLY REVIEW THE PLANS AND REPORT ANY CONFLICTS OR DISCREPANCIES TO THE LANDSCAPE ARCHITECT AND OWNER'S REPRESENTATIVE IMMEDIATELY.**
- C. THE IRRIGATION CONTRACTOR SHALL NOT WILLFULLY INSTALL THE IRRIGATION SYSTEM AS SHOWN ON THE DRAWINGS WHEN IT IS OBVIOUS IN THE FIELD THAT UNKNOWN OBSTRUCTIONS, GRADES OR DIMENSIONS EXIST THAT MIGHT NOT HAVE BEEN CONSIDERED IN THE ENGINEERING. SUCH OBSTRUCTIONS OR DIFFERENCES SHALL BE BROUGHT TO THE ATTENTION OF THE IRRIGATION DESIGNER. IN THE EVENT THAT THIS NOTIFICATION IS NOT PERFORMED, THE IRRIGATION CONTRACTOR SHALL ASSUME FULL RESPONSIBILITY FOR ANY REVISIONS AND NECESSARY COSTS.**
- D. THE IRRIGATION CONTRACTOR SHALL COORDINATE AND PAY FOR THE INSTALLATION OF THE IRRIGATION TAP AND METER.**
- E. THE IRRIGATION CONTRACTOR SHALL PAY ANY AND ALL FEES AND PERMITS ASSOCIATED WITH THE INSTALLATION OF THE IRRIGATION SYSTEM.**
- F. AT LEAST SEVEN DAYS BEFORE BEGINNING WORK, CONFIRM THE STATIC WATER PRESSURE IS AT LEAST 55 PSI AND LESS THAN 70 PSI. IF STATIC WATER PRESSURE IS OUTSIDE OF THE STATED RANGE, DO NOT PROCEED WITHOUT FIRST NOTIFYING THE IRRIGATION DESIGNER AND OWNER IN WRITING, AND OBTAINING SUBSEQUENT DIRECTION FOR CORRECTIVE MEASURES. SHOULD THE IRRIGATION CONTRACTOR CHOOSE TO BEGIN THE INSTALLATION WITHOUT SUCH NOTIFICATION, THE IRRIGATION CONTRACTOR WILL ASSUME THE RESPONSIBILITY FOR ALL COSTS INCURRED TO ENSURE THE SYSTEM IS WORKING PROPERLY. NO CHANGE ORDERS WILL BE AUTHORIZED IN SUCH CIRCUMSTANCES.**
- G. THE IRRIGATION CONTRACTOR SHALL VERIFY THE LOCATION OF ALL UNDERGROUND UTILITY LINES (WATER, SEWER, ELECTRICAL, TELEPHONE, GAS, CABLE, TELEVISION, ETC.) PRIOR TO THE START OF ANY WORK. THE CONTRACTOR SHALL BE FAMILIAR WITH ALL GRADE DIFFERENCES, LOCATIONS OF WALLS, STRUCTURES AND UTILITIES.**
- H. COORDINATE WITH THE OWNER THE PROPOSED LOCATIONS OF THE AUTOMATIC CONTROLLER AND ANY REQUIRED SLEEVES THROUGH THE BUILDING FOR CONTROL WIRES.**
- I. TRENCING NEAR EXISTING TREES:**
- CONTRACTOR SHALL NOT DISTURB ROOTS 1-1/2" AND LARGER IN DIAMETER WITHIN THE CRITICAL ROOT ZONE (CRZ) OF EXISTING TREES, AND SHALL EXERCISE ALL POSSIBLE CARE AND PRECAUTIONS TO AVOID INJURY TO TREE ROOTS, TRUNKS, AND BRANCHES. THE CRZ IS DEFINED AS A CIRCULAR AREA EXTENDING OUTWARD FROM THE TREE TRUNK, WITH A RADIUS EQUAL TO 1" FOR EVERY 1" OF TRUNK DIAMETER-AT-BREAST-HEIGHT (4' ABOVE THE AVERAGE GRADE AT THE TRUNK).
 - ALL EXCAVATION WITHIN THE CRZ SHALL BE PERFORMED USING HAND TOOLS. NO MACHINE EXCAVATION OR TRENCING OF ANY KIND SHALL BE ALLOWED WITHIN THE CRZ.
 - ALTER ALIGNMENT OF PIPE TO AVOID TREE ROOTS 1-1/2" AND LARGER IN DIAMETER. WHERE TREE ROOTS 1-1/2" AND LARGER IN DIAMETER ARE ENCOUNTERED IN THE FIELD, TUNNEL UNDER SUCH ROOTS. WRAP EXPOSED ROOTS WITH SEVERAL LAYERS OF BURLAP AND KEEP MOIST. CLOSE ALL TRENCHES WITHIN THE CANOPY DRIP LINES WITHIN 24 HOURS.
 - ALL SEVERED ROOTS SHALL BE HAND PRUNED WITH SHARP TOOLS AND ALLOWED TO AIR-DRY. DO NOT USE ANY SORT OF SEALERS OR WOUND PAINTS.

J. BACKFILL

- ALL BACKFILL MATERIAL SHALL BE SUBJECT TO APPROVAL BY THE OWNER. BACKFILL MATERIAL SHALL BE FREE FROM RUBBISH, ROCK LARGER THAN 1", LARGE STONES, BRUSH, SOIL, FROZEN MATERIAL OR OTHER UNSUITABLE SUBSTANCES THAT MAY DAMAGE PIPE DURING THE BACKFILLING OPERATIONS. SEPARATE OUT ROCKS LARGER THAN 1 INCH IN ANY DIRECTION FROM EXCAVATED MATERIAL, AND REMOVE FROM AREAS TO RECEIVE LANDSCAPE COVER FOR BOTH TOP AND SIDES OF PIPE SHALL BE A MINIMUM OF 2 INCHES OF ROCK-FREE SOIL, SAND, OR OTHER APPROVED MATERIAL.
- IN THE EVENT THAT THE MATERIAL FROM THE EXCAVATION OR TRENCING IS FOUND TO BE UNSUITABLE FOR USE IN BACKFILL, IT SHALL BE REMOVED FROM THE SITE AND PROPERLY AND LEGALLY DISPOSED OF BY THE CONTRACTOR AT THE CONTRACTOR'S EXPENSE. THE CONTRACTOR SHALL THEN PURCHASE AND FURNISH SUITABLE BACKFILL MATERIAL (COMBING OF EARTH, LOAM, SANDY CLAY, SAND OR OTHER APPROVED MATERIALS FREE OF DEBRIS).

K. BACKFLOW PREVENTER INSTALLATION

- CONTRACTOR SHALL MAKE CONNECTIONS TO EXISTING WATER SOURCES AT LOCATION SHOWN ON PLANS AND AS APPROVED BY THE OWNER, AND SHALL MAKE ANY MINOR CHANGES IN LOCATION AS MAY BE NECESSARY DUE TO ACTUAL SITE CONDITIONS. BACKFLOW PREVENTER HEIGHT SHALL BE AS PER LOCAL CODES AND IRRIGATION DETAILS. INSTALL A BRASS BALL VALVE IMMEDIATELY UPSTREAM OF THE BACKFLOW DEVICE TO SERVE AS AN ISOLATION VALVE. TO EVERY EXTENT POSSIBLE, INSTALL BACKFLOW PREVENTER ON A LOCATION SCREENED FROM PUBLIC VIEW (SUCH AS BEHIND A SHRUB ROW).

L. PIPING

- PIPE SIZE SHALL CONFORM TO THOSE SHOWN ON THE DRAWINGS. NO SUBSTITUTIONS OF SMALLER PIPE SIZES SHALL BE PERMITTED, BUT SUBSTITUTIONS FOR LARGER SIZES MAY BE APPROVED.
- MAINLINE PIPE AND WIRES SHALL BE INSTALLED WITH A MINIMUM COVER OF 24 INCHES. LATERAL PIPE SHALL BE INSTALLED WITH A MINIMUM COVER OF 18 INCHES.
- ASSEMBLE ALL THREADED FITTINGS WITH TEFLON TAPE, WHICH SHALL BE APPLIED TO MALE THREADS ONLY.
- ALL SOLVENT-WELD CONNECTIONS SHALL BE MADE WITH APPROVED SOLVENT-WELD PRIMER AND GLUE.
- PIPE SHALL BE INSTALLED WITH A MINIMUM OF 4" HORIZONTAL CLEARANCE FROM ANY OTHER PIPE AND 2" VERTICAL CLEARANCE FROM ANY PIPES THAT CROSS OVER OR UNDER.

M. VALVES

- VALVES SHALL BE INSTALLED PER MANUFACTURER'S DIRECTIONS AND THE IRRIGATION DETAILS.
- VALVE BOXES SHALL BE INSTALLED FLUSH WITH THE GRADE, WITH CLEAN PEA GRAVEL LOCATED BELOW THE VALVE AS NOTED ON THE DETAILS. LOCATE BOXES WITHIN 12 TO 24" OF SIDEWALKS OR LANDSCAPE EDGES, WITH TOPS OF BOXES 1" ABOVE FINISH GRADE IN TURF, AND 3" ABOVE FINISH GRADE IN SHRUB AREAS (TO AVOID BEING COVERED BY MULCH).
- EACH VALVE BOX COVER SHALL BE HEAT-BRANDED WITH THE CONTROLLER STATION NUMBER.
- DO NOT INSTALL MORE THAN TWO VALVES IN A JUNBO BOX.

N. DRIP PIPING

- INSTALL DRIP PIPING IN THE FIELD, OR THE CONTRACTOR'S DIRECTIONS AND THE IRRIGATION DETAILS.
- SUBSURFACE DRIP LINES SHALL BE BURIED NO MORE THAN 2" BELOW FINISH GRADE. DRIP LINES MUST BE LOCATED BENEATH THE SURFACE OF THE SOIL, AND SECURED IN PLACE WITH WIRE STAPLES AT A MAXIMUM OF 48" ON CENTER.

O. SPRAY, ROTOR, AND BUBBLER HEADS

- ALL SPRAY, ROTOR, AND BUBBLER HEAD LOCATIONS SHALL BE STAKED, FLAGGED AND/OR OTHERWISE CLEARLY MARKED ON THE GROUND PRIOR TO INSTALLATION. SPRINKLER HEAD STAKING SHALL BE INSPECTED AND APPROVED BY THE OWNER'S REPRESENTATIVE BEFORE INSTALLATION.

- ALL SPRAY HEADS SHALL BE CONNECTED WITH A 1/2 INCH MINIMUM LENGTH OF 1/2 INCH FLEX PVC. THE FLEX PVC SHALL BE SOLVENT WELDED TO SCHEDULE 40 PVC FITTINGS WITH WELD-ON #78 SOLVENT AND #70 PRIMER. ALL ROTORS AND SPRAY HEADS SHALL BE CONNECTED TO LATERAL LINES WITH PRE-MANUFACTURED SWING JOINTS.
- ALL ROTOR, SPRAY AND BUBBLER HEADS SHALL BE SET PERPENDICULAR AND FLUSH TO FINISH GRADE AND WITH A CLEARANCE OF FOUR INCHES FROM THE EDGE OF ANY BUILDINGS, WALLS, BOULDERS, AND HARDSCAPE, UNLESS OTHERWISE SPECIFIED.
- ALL ROTOR, SPRAY AND BUBBLER HEADS AND VALVES SHALL BE FLUSHED AND ADJUSTED FOR OPTIMUM COVERAGE WITH MINIMUM OVERSPRAY ON WALKS, STREETS, WALLS, ETC.

P. AUTOMATIC CONTROLLER

- INSTALL THE CONTROLLER AT THE LOCATION INDICATED BY THE OWNER. INSTALL CONTROLLER WITH A BACKUP BATTERY AS RECOMMENDED BY THE MANUFACTURER.
- THE IRRIGATION CONTRACTOR SHALL COORDINATE 120 V.A.C. ELECTRICAL POWER TO CONTROLLER AND DEDICATE ONE (1) 20-AMP BREAKER FOR EACH CONTROLLER. IT SHALL BE THE RESPONSIBILITY OF THE IRRIGATION CONTRACTOR TO MAKE THE FINAL HOOK-UP FROM THE ELECTRICAL SOURCE TO THE CONTROLLER UNIT ONLY.

- ALL VALVE CONTROL WIRE SHALL BE AWG 14 TYPE UF, 600 VOLT TEST, DIRECT BURIAL. NO SPLICES SHALL BE ALLOWED EXCEPT AT VALVES AND CONTROLLER. WHERE SPLICES MAY BE NECESSARY DUE TO EXCESSIVELY LONG WIRE RUNS, THE CONTRACTOR SHALL MAKE ALL SPLICES IN 6" ROUND VALVE BOXES WITH SMS "DRY-DIRECT BURIAL SPLICE KIT". THE CONTRACTOR SHALL LABEL ALL WIRES WITH WATERPROOF TAGS AND MARKERS AT EACH CONNECTION.

- PROVIDE #10 COMMON WIRE, DIRECT BURIAL, TO ALL REMOTE CONTROL VALVES.
- CONNECT ALL DIRECT BURIAL WIRES TO VALVES USING SMS "DRY-DIRECT BURIAL SPLICE KIT" (UNLESS OTHERWISE SPECIFIED).

- PROVIDE THREE ADDITIONAL IRRIGATION CONTROL WIRES ALONG EACH BRANCH OF MAINLINE FOR FUTURE EXPANSION. STUB ADDITIONAL CONTROL WIRES INTO BACK OF IRRIGATION CONTROLLERS.

- THE IRRIGATION CONTRACTOR SHALL BE RESPONSIBLE FOR INSTALLING ALL CONTROL WIRE SLEEVES AND PIPE SLEEVES UNDER PAVED AREAS PRIOR TO PAVING - SEE SLEEVING NOTES.

- INSTALL THE RAIN SENSOR IN THE VICINITY OF THE CONTROLLER, AND COORDINATE LOCATION WITH THE OWNER. IT IS THE RESPONSIBILITY OF THE IRRIGATION CONTRACTOR TO ENSURE THE RAIN SENSOR IS PLACED IN A LOCATION WHERE IT CAN RECEIVE ADEQUATE RAINFALL WITHOUT OBSTRUCTIONS. IF IT IS PLACED IN AN INADEQUATE LOCATION, THE IRRIGATION CONTRACTOR MAY BE REQUIRED TO RELOCATE IT AT NO ADDITIONAL COST TO THE OWNER.

- ALL IRRIGATION REPAIRS NOT OTHERWISE DETAILED OR SPECIFIED SHALL BE INSTALLED AS PER MANUFACTURER'S RECOMMENDATIONS AND SPECIFICATIONS.

- QUALITY CONTROL

- PERFORM COVERAGE TESTS AFTER IRRIGATION SYSTEM IS COMPLETED, BUT PRIOR TO ANY PLANTING AND PERFORM TESTING IN THE PRESENCE OF THE IRRIGATION DESIGNER AND THE CONSTRUCTION MANAGER.
- TEST SYSTEM TO ASSURE THAT ALL LAWN AND PLANTING AREAS ARE WATERED COMPLETELY AND UNFORMLY.
- MAKE ALL NECESSARY ADJUSTMENTS TO PROVIDE COMPLETE COVERAGE, INCLUDING REALIGNMENT OF HEADS AND REPLACEMENT OF NOZZLES.

- CLEAN UP

- DURING IRRIGATION EXCAVATION AND INSTALLATION, KEEP ALL PAVEMENT CLEAN AND ALL WORK AREAS IN A NEAT, ORDERLY CONDITION.
- DISPOSED LEGALLY OF ALL EXCAVATED MATERIALS OFF THE PROJECT SITE.

- INSPECTION AND ACCEPTANCE

- UPON COMPLETION OF THE WORK, THE IRRIGATION CONTRACTOR SHALL PROVIDE THE SITE CLEAN, FREE OF DEBRIS AND TRASH, AND SUITABLE FOR USE AS INTENDED. THE IRRIGATION CONTRACTOR SHALL THEN REQUEST AN INSPECTION BY THE OWNER TO DETERMINE FINAL ACCEPTABILITY.

- WHEN THE INSPECTED WORK DOES NOT COMPLY WITH THE CONTRACT DOCUMENTS, THE CONTRACTOR SHALL REPLACE AND/OR REPAIR THE REJECTED WORK TO THE OWNER'S SATISFACTION WITHIN 24 HOURS.
- THE MAINTENANCE PERIOD WILL NOT COMMENCE UNTIL THE WORK HAS BEEN RE-INSPECTED BY THE OWNER AND FOUND TO BE ACCEPTABLE. AT THAT TIME, A WRITTEN NOTICE OF FINAL ACCEPTANCE WILL BE ISSUED BY THE OWNER, AND THE MAINTENANCE AND GUARANTEE PERIODS WILL COMMENCE.

- CONTROLLER CHART: THE IRRIGATION CONTRACTOR SHALL PROVIDE A 11" X 17" COLOR-CODED, LAMINATED COPY OF THE IRRIGATION LAYOUT AND PLACE IT IN THE CONTROLLER'S COVER. THE CONTROLLER CHART SHALL CLEARLY DELINEATE THE AREAS COVERED BY EACH VALVE, USING A SEPARATE COLOR FOR EACH ZONE.
- TURN THE FOLLOWING ITEMS IN TO THE OWNER UPON COMPLETION OF THE INSTALLATION:
 - QUICK COUPLER KEYS (2)
 - CONTROLLER MANUAL (1)
 - CONTROLLER KEYS (2)
 - A MINIMUM OF (2) COPIES OF RECORD DRAWINGS. A RECORD DRAWING IS A RECORD OF ALL CHANGES THAT OCCURRED IN THE FIELD AND THAT ARE DOCUMENTED THROUGH CHANGE ORDERS, ADDENDA, OR CONTRACTOR/CONSULTANT DRAWING MARKUPS.

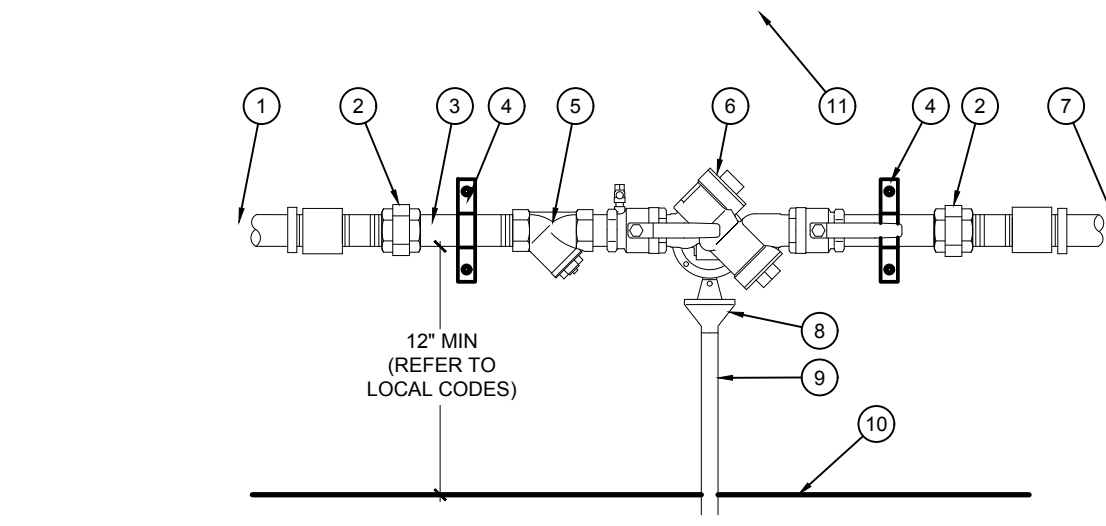
- REFER TO THE PLANTING SPECIFICATIONS FOR ADDITIONAL CONDITIONS OF FINAL ACCEPTANCE AND START OF THE MAINTENANCE PERIOD.

- THE IRRIGATION SYSTEM SUPPLIED AND INSTALLED SHALL BE WARRANTED (LABOR AND MATERIALS) TO REMAIN OPERATIONAL FOR A PERIOD OF 12 MONTHS AFTER THE DATE OF FINAL ACCEPTANCE. DURING THIS PERIOD, THE CONTRACTOR SHALL ALSO REPAIR ANY SETTLEMENT OF THE IRRIGATION TRENCHES.

- BY THE END OF THE WARRANTY PERIOD, ANY IRRIGATION PART THAT IS EITHER NON-OPERATIONAL OR THAT IS OPERATING BELOW STANDARDS DETERMINED BY THE OWNER, SHALL BE REMOVED FROM THE SITE AND SHALL BE REPLACED. REPLACEMENTS SHALL BE OF THE SAME KIND AS SPECIFIED IN THE IRRIGATION LEGEND, AND SHALL BE INSTALLED AS ORIGINALLY SPECIFIED.

- IRRIGATION PARTS DAMAGED OR IMPAIRED DUE TO ACTS OF GOD, VANDALISM, AND/OR THE OWNER'S IMPROPER MAINTENANCE SHALL NOT BE COVERED BY THIS WARRANTY.

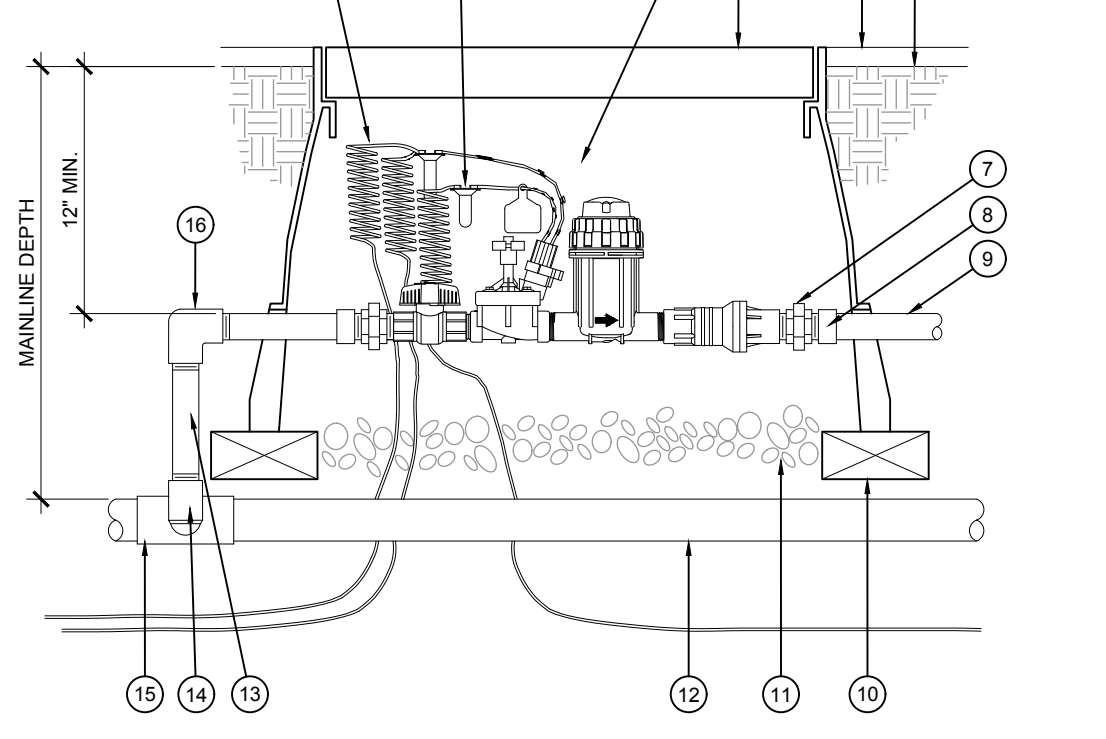
- SHOULD THE PERMITTING JURISDICTION REQUIRE AN IRRIGATION AUDIT, THE IRRIGATION CONTRACTOR SHALL RETAIN THE SERVICES OF A THIRD-PARTY CERTIFIED LANDSCAPE IRRIGATION AUDITOR, AT NO ADDITIONAL COST TO THE OWNER.



- FROM POINT OF CONNECTION - SEE PLUMBING PLANS AND ADAPT AS NECESSARY. ALL WORK SHALL CONFORM TO ALL APPLICABLE CODES
- BRASS UNION (TYPICAL)
- BRASS NIPPLES (TYPICAL)
- METAL STRAP - QUANTITY AS NEEDED, SECURE TO WALL PER ARCHITECT (TYPICAL)
- BRASS WYE STRAINER WITH 60 MESH SCREEN
- BACKFLOW PREVENTER UNIT
- TO IRRIGATION SYSTEM
- AIR GAP DRAIN, MODEL AGD-Y ATTACH TO BACKFLOW DEVICE PER MANUFACTURER
- DRAIN PIPE, SCH. 40 PVC, 1" - CONNECT TO DRAINAGE SYSTEM
- INTERIOR FLOOR
- INTERIOR WALL

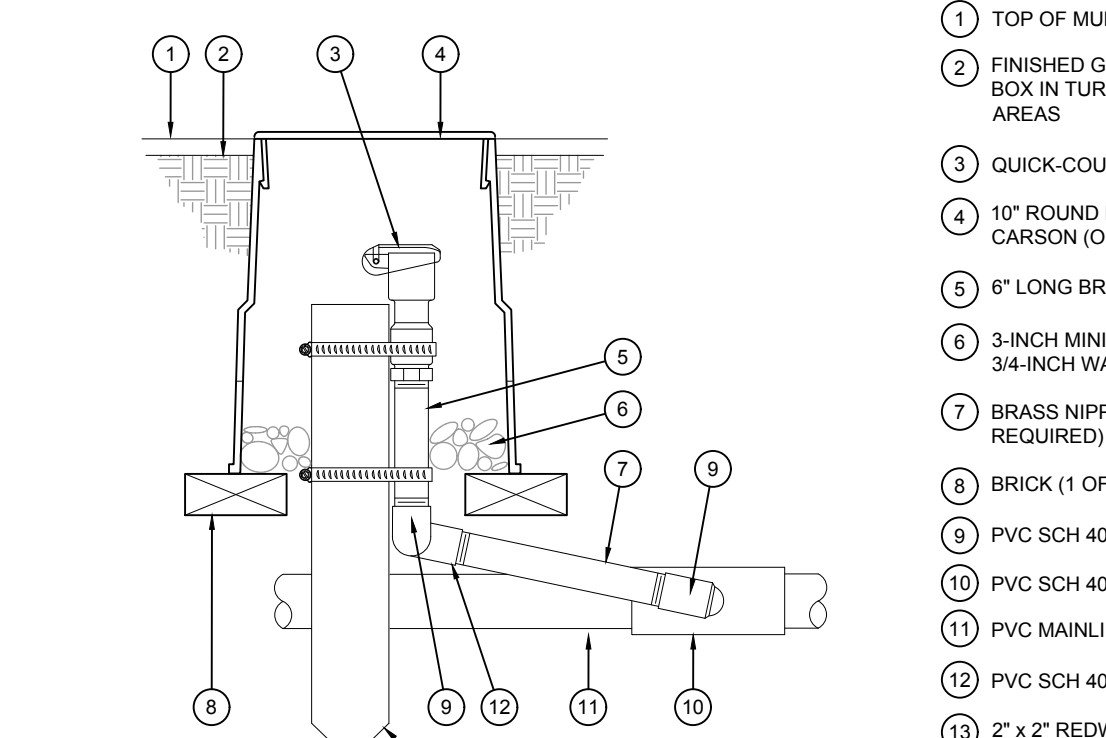
C BACKFLOW PREVENTER, RP, WALL MOUNT
SCALE: NTS

- 30-INCH LINEAR LENGTH OF WIRE, COILED
- WATERPROOF CONNECTION (ANY APPROVED)
- REMOTE CONTROL VALVE ASSEMBLY
- JUNBO PLASTIC VALVE BOX BY CARSON (OR EQUAL)
- TOP OF MULCH
- FINISHED GRADE-1" BELOW TOP OF BOX IN TURF AREAS, 2" IN SHRUB AREAS
- PVC UNION (2)
- PVC SCH 40 MALE ADAPTER (2)
- PVC LATERAL PIPE
- BRICK (1 OF 4)
- 3-INCH MINIMUM DEPTH OF 3/4-INCH WASHED GRAVEL
- PVC MAINLINE PIPE
- PVC SCH 80 NIPPLE (LENGTH AS REQUIRED)
- SCH. 40 PVC ELL
- SCH. 40 PVC TEE OR ELL
- SCH. 40 PVC THREADED ELL

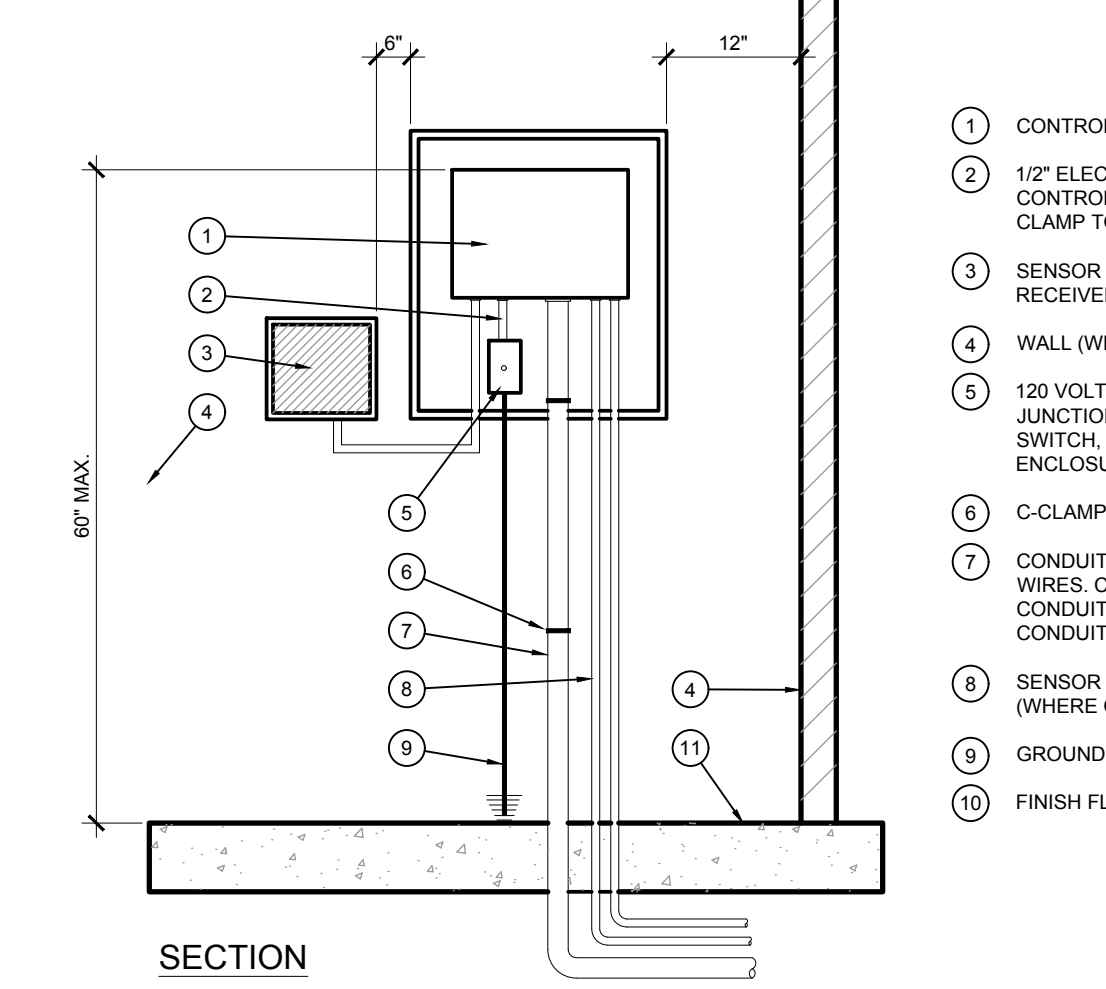


D DRIP CONTROL ZONE KIT
SCALE: NTS

- TOP OF MULCH
- FINISHED GRADE-1" BELOW TOP OF BOX IN TURF AREAS, 2" IN SHRUB AREAS
- QUICK-COUPLING VALVE
- 10" ROUND PLASTIC VALVE BOX BY CARSON (OR EQUAL)
- 6" LONG BRASS NIPPLE
- 3-INCH MINIMUM DEPTH OF 3/4-INCH WASHED GRAVEL
- BRASS NIPPLE (LENGTH AS REQUIRED)
- BRICK (1 OF 2)
- PVC SCH 40 STREET ELL
- PVC SCH 40 TEE OR ELL
- PVC MAINLINE PIPE
- PVC SCH 40 ELL
- 2" x 2" REDWOOD STAKE WITH STAINLESS STEEL GEAR CLAMPS OR EQUIVALENT SUPPORT SYSTEM



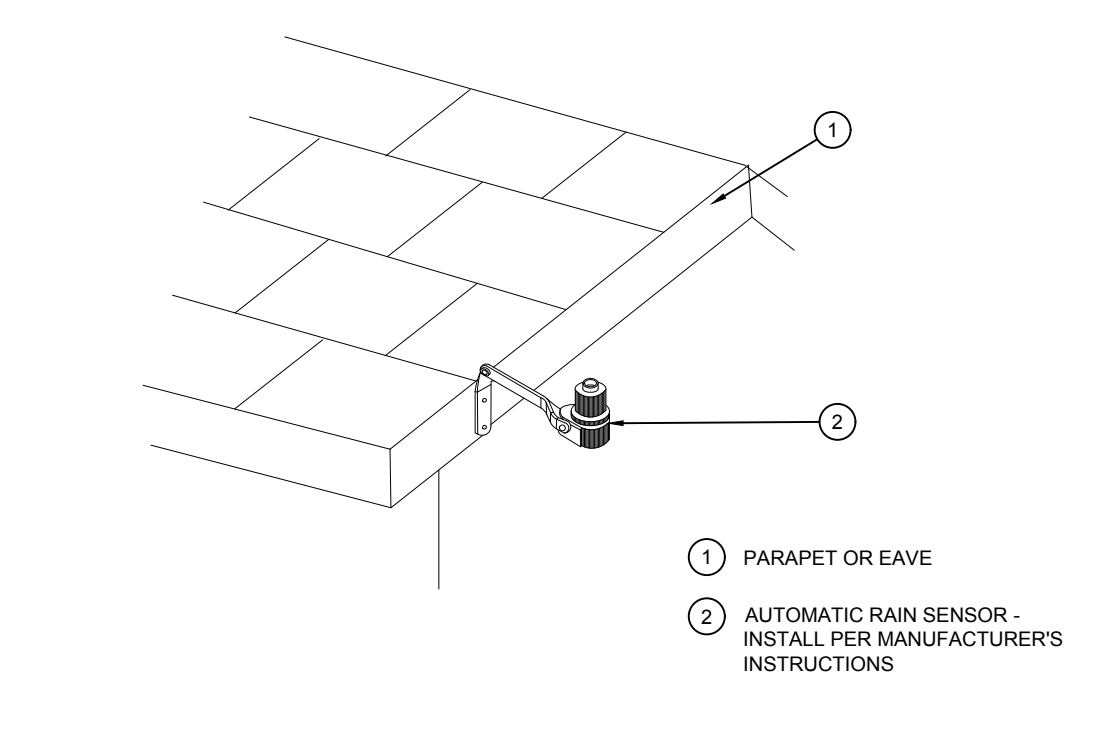
E QUICK COUPLER
SCALE: NTS



- CONTROLLER PER LEGEND
- 1/2" ELECTRICAL CONDUIT BETWEEN CONTROLLER AND ELECT. BOX CLAMP TO WALL
- SENSOR MONITOR PANEL OR RECEIVER (WHERE OCCURS)
- WALL (WHERE OCCURS)
- 120 VOLT SERVICE IN WATERPROOF JUNCTION BOX WITH DISCONNECT SWITCH. INSTALL INSIDE STAINLESS ENCLOSURE
- C-CLAMPS (TYP.)
- CONDUIT(S) FOR 24 VOLT CONTROL WIRES. CLAMP TO WALL. USE 1 CONDUIT FOR 0-24 STATIONS, USE 2 CONDUITS FOR 25-48 STATIONS
- SENSOR CABLES IN CONDUITS (WHERE OCCURS)
- GROUNDINGS PER MANUFACTURER
- FINISH FLOOR SURFACE

A CONTROLLER - WALL MOUNT, INDOOR
SCALE: NTS

- PARAPET OR EAWE
- AUTOMATIC RAIN SENSOR - INSTALL PER MANUFACTURER'S INSTRUCTIONS



B RAIN SENSOR, ROOF MOUNT
SCALE: NTS

NOTES:
1) MOUNT CONTROLLER AND CABINET PER MANUFACTURER'S DIRECTIONS.
2) 120 V.A.C. POWER PROVIDED BY OTHERS. LANDSCAPE CONTRACTOR SHALL MAKE FINAL CONNECTION AT CONTROLLER. CONNECT TO ELECTRICAL SUPPLY PER NATIONAL ELECTRIC CODE AND LOCAL CODE.
3) LOCATE GROUND ROD 8 MIN. FROM CONTROLLER. VERIFY LOCATION OF GROUND ROD, CONTROLLER AND SOURCE OF ELECTRICITY WITH MANUFACTURER'S REPRESENTATIVE AND OWNER AS PART OF PRE CONSTRUCTION MEETING.

EVERGREEN DESIGN GROUP
(800) 680-6630
1755 Tebbel Dr., Ste 300
Colorado Springs, CO 80920
www.EvergreenDesignGroup.com

EES ENTERTAINMENT AND ENGINEERING SOLUTIONS, INC.
501 S Cherry St., Suite 300
Glendale, CO 80246
303-572-7957 www.ees-us.com

Life Changing Chickens
SLIM CHICKENS®
Chicken tenders - Buffalo Wings - Sandwiches - Salads - Wraps

LAWRENCE M. LESSER
188
01/01/2008
Original Date of Licensure
STATE OF COLORADO
REGISTERED LANDSCAPE ARCHITECT
6/15/2020

THE TOWN OF PARKER REVIEW CONSTITUTES GENERAL COMPLIANCE WITH THE TOWN'S STANDARDS AND APPROVED VARIANCES, SUBJECT TO THESE PLANS BEING STAMPED, SIGNED, AND DATED BY THE PROFESSIONAL ENGINEER OF RECORD. REVIEW BY THE PROFESSIONAL ENGINEER OF RECORD, REVIEW BY THE TOWN DOES NOT CONSTITUTE APPROVAL OF THE PLAN DESIGN OR ACCURACY AND CORRECTNESS OF ENGINEERING CALCULATIONS. ERRORS IN THE DESIGN OR CALCULATIONS REMAIN THE RESPONSIBILITY OF THE REGISTERED PROFESSIONAL ENGINEER WHOSE STAMP AND SIGNATURE ARE AFFIXED TO THIS DOCUMENT. THIS REVIEW DOES NOT CONSTITUTE APPROVAL OF ANY PRIVATE ON-SITE IMPROVEMENTS WHICH MAY BE SHOWN. CONSTRUCTION CANNOT COMMENCE UNTIL ALL REQUIRED DRAINAGE/TRAFFIC REPORT(S), FINAL DEVELOPMENT PLAN(S), SPECIAL REVIEW(S), GRADING PERMIT, AND/OR OTHER PERMITS ARE COMPLETE, APPROVED AND ON FILE WITH THE TOWN OF PARKER.

TOWN OF PARKER, DIRECTOR OF ENGINEERING/PUBLIC WORKS
DATE

DATE	
BY	
REVISION	
No.	

SITE PLAN

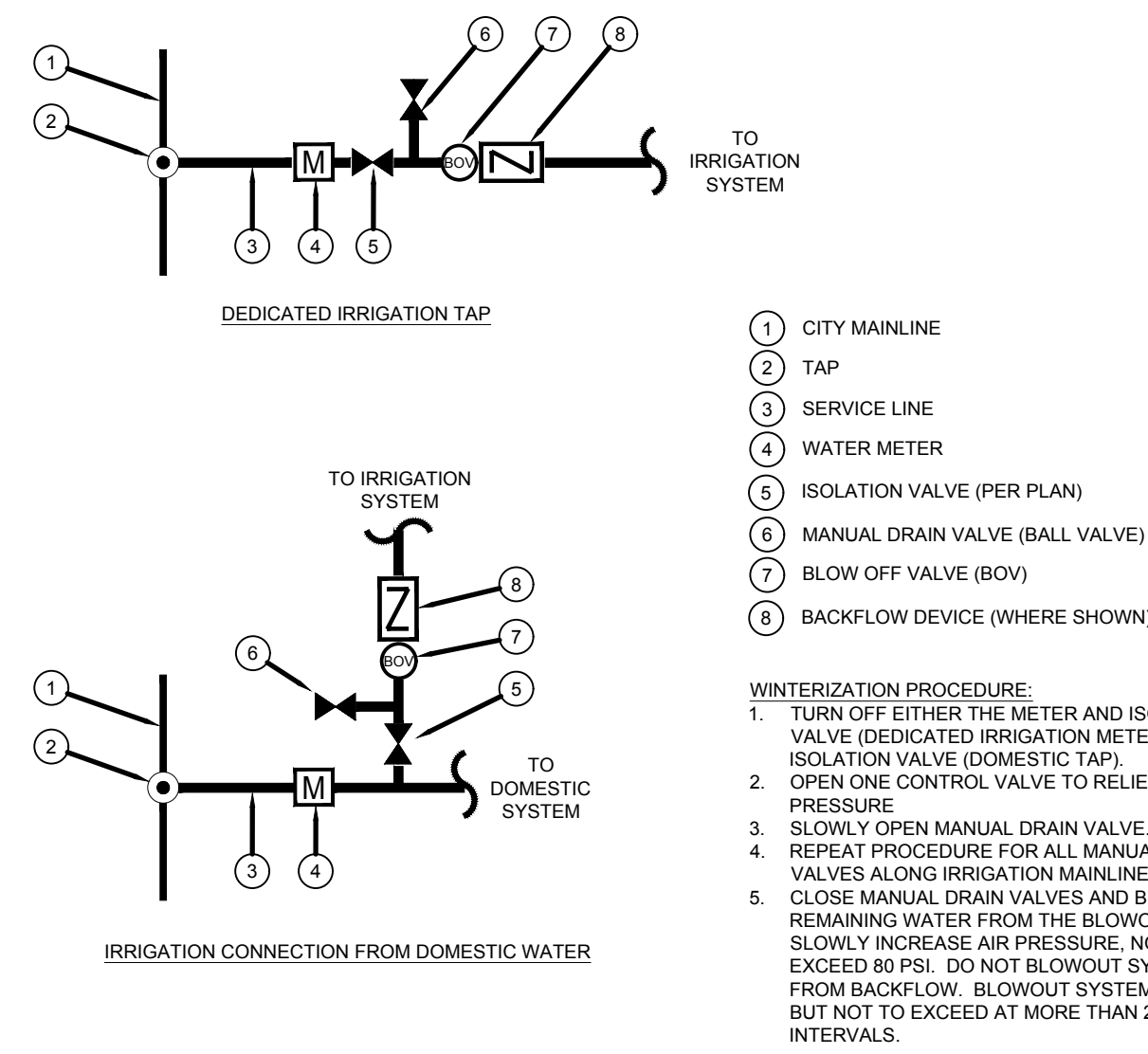
SLIM CHICKENS
IRRIGATION DETAILS AND SPECIFICATIONS

SWC OF S. PARKER ROAD AND E. PINE LANE, PARKER, CO 80134

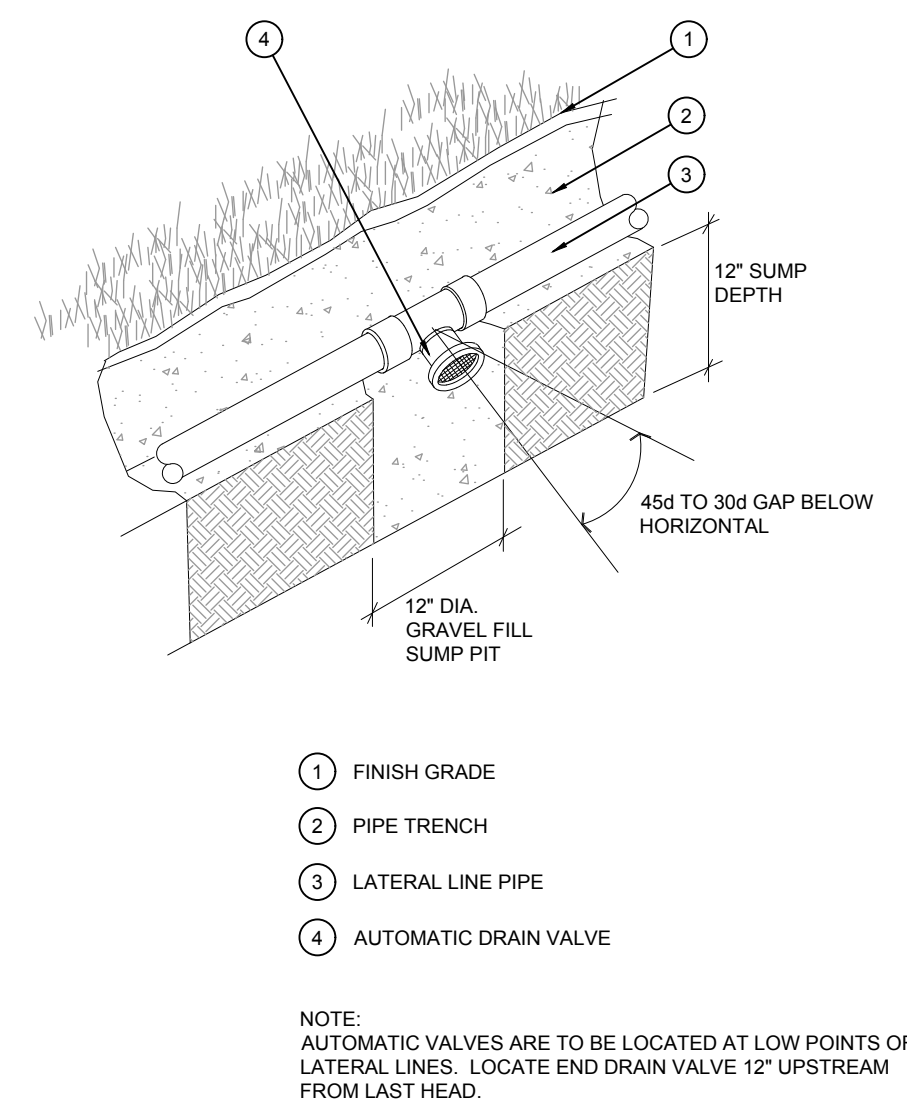
PROJECT NO.: TSD003.01
DESIGNED BY: CAM
DRAWN BY: CAM
DATE: 06/15/2020

L-4

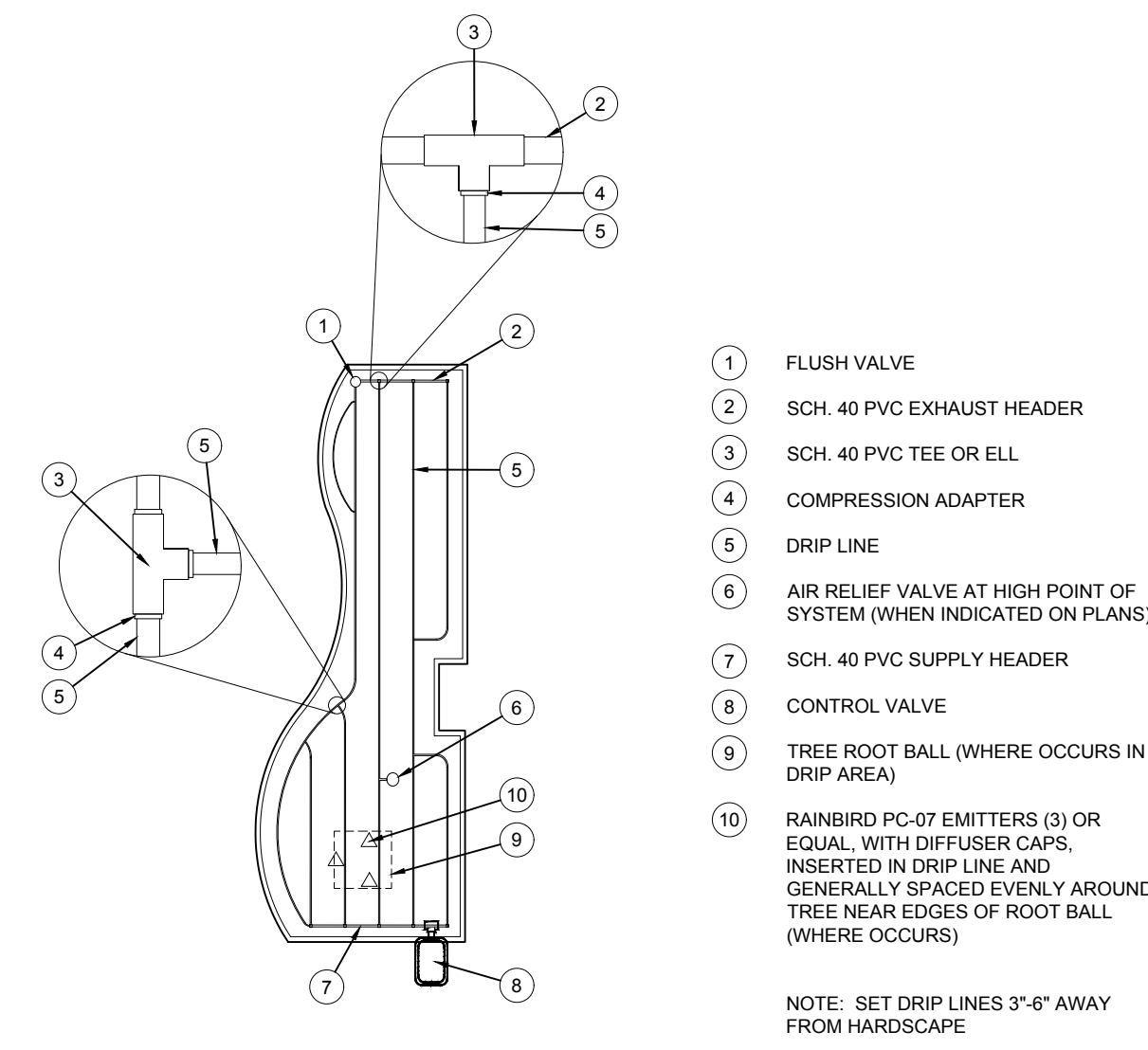
811
CALL UTILITY NOTIFICATION CENTER OF COLORADO
1-800-922-1987 or 811
CALL 3-BUSINESS DAYS (NOT INCLUDING INITIAL DAY OF CONTACT) IN ADVANCE BEFORE YOU DIG, GRADE, OR EXCAVATE FOR THE MARKING OF UNDERGROUND MEMBER UTILITIES.
Know what's below. Call before you dig.



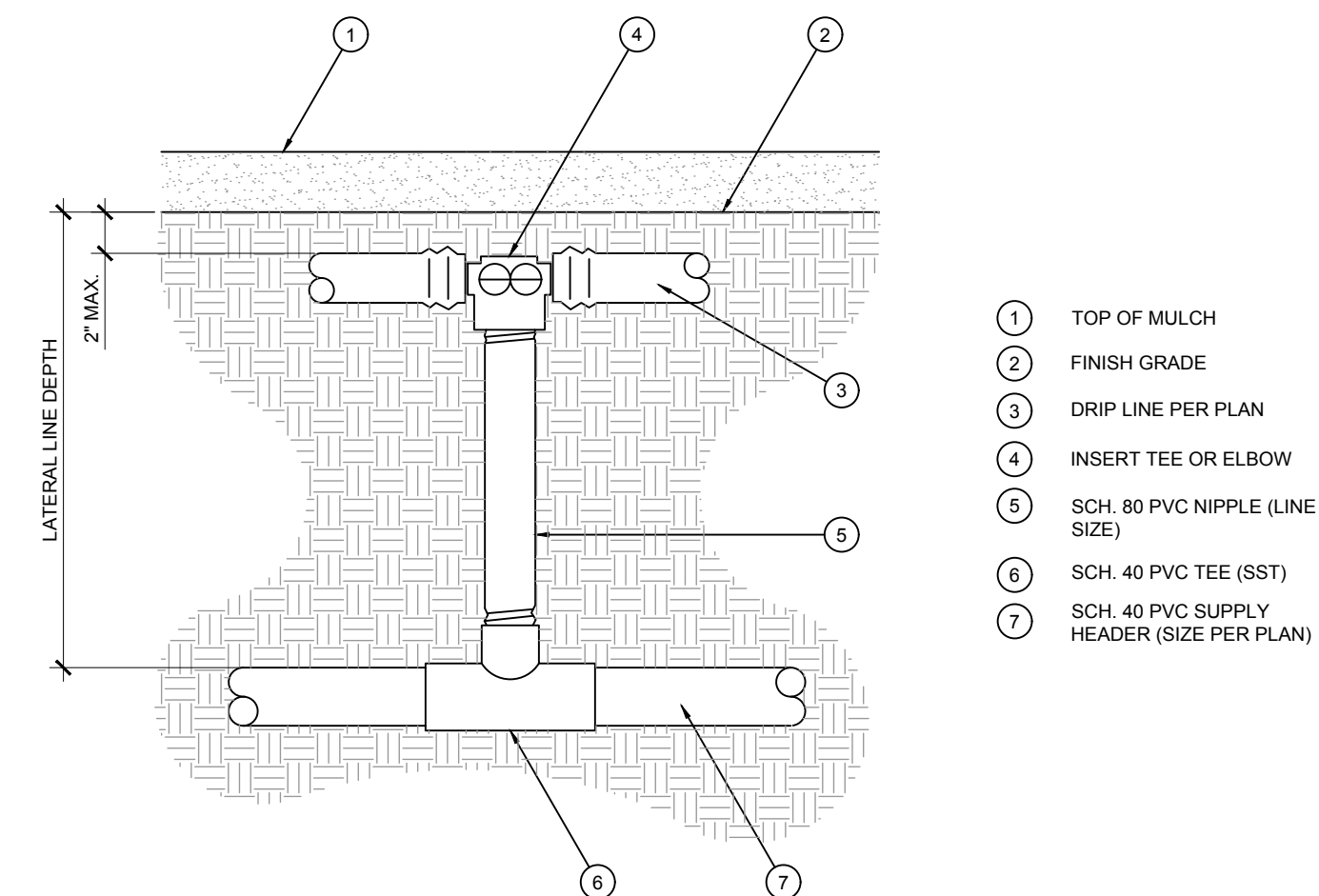
K WATER TAP DIAGRAM
SCALE: NTS



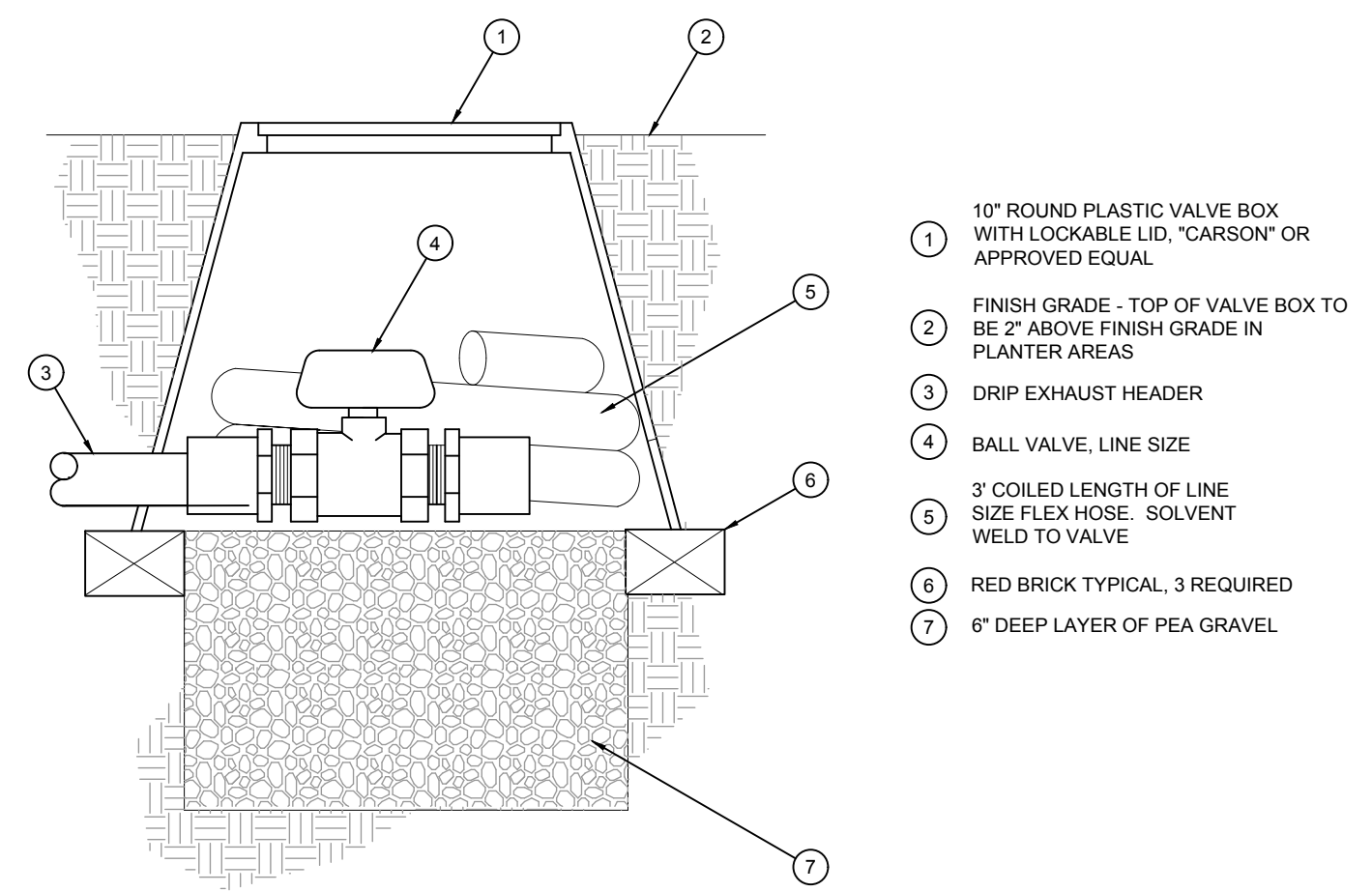
L AUTOMATIC DRAIN VALVE
SCALE: NOT TO SCALE



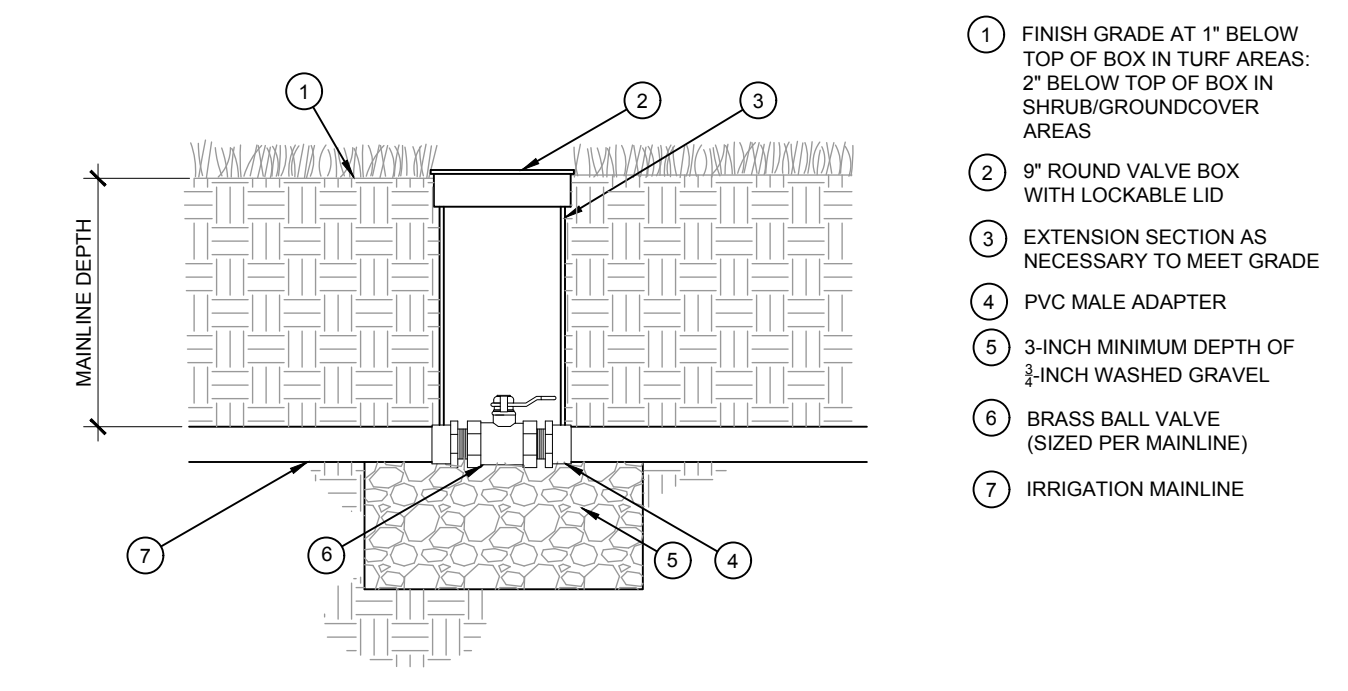
H SUBSURFACE DRIP LINE LAYOUT
SCALE: NOT TO SCALE



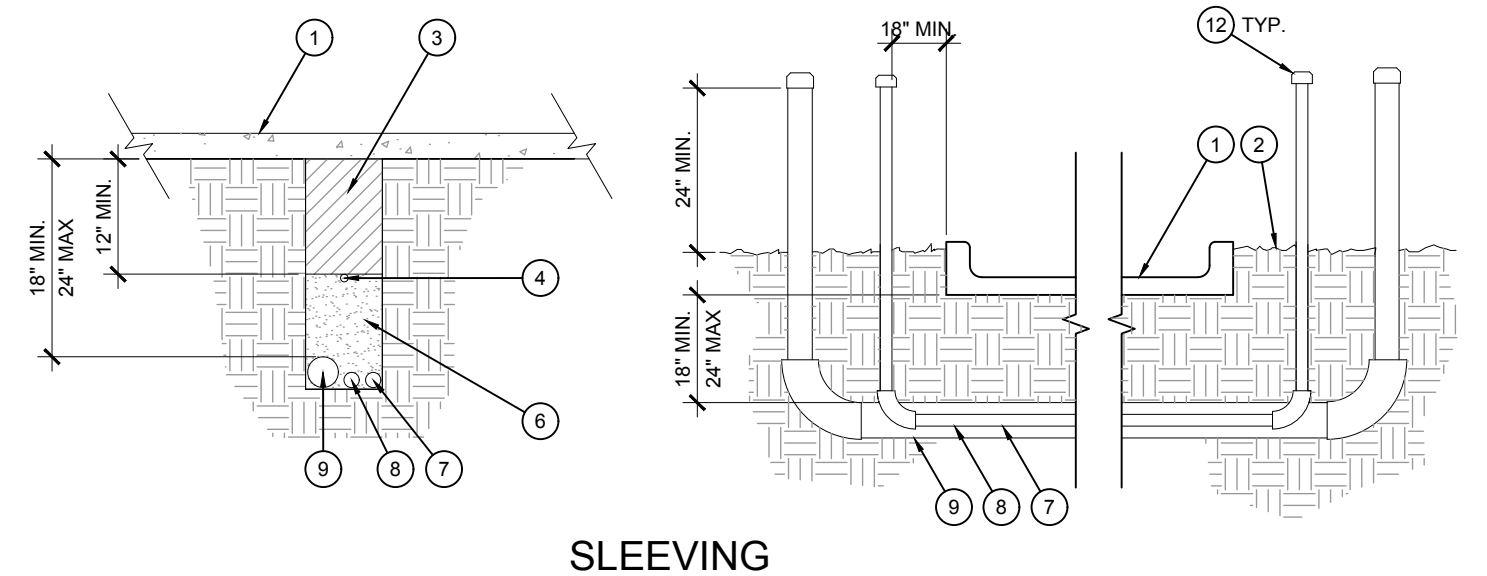
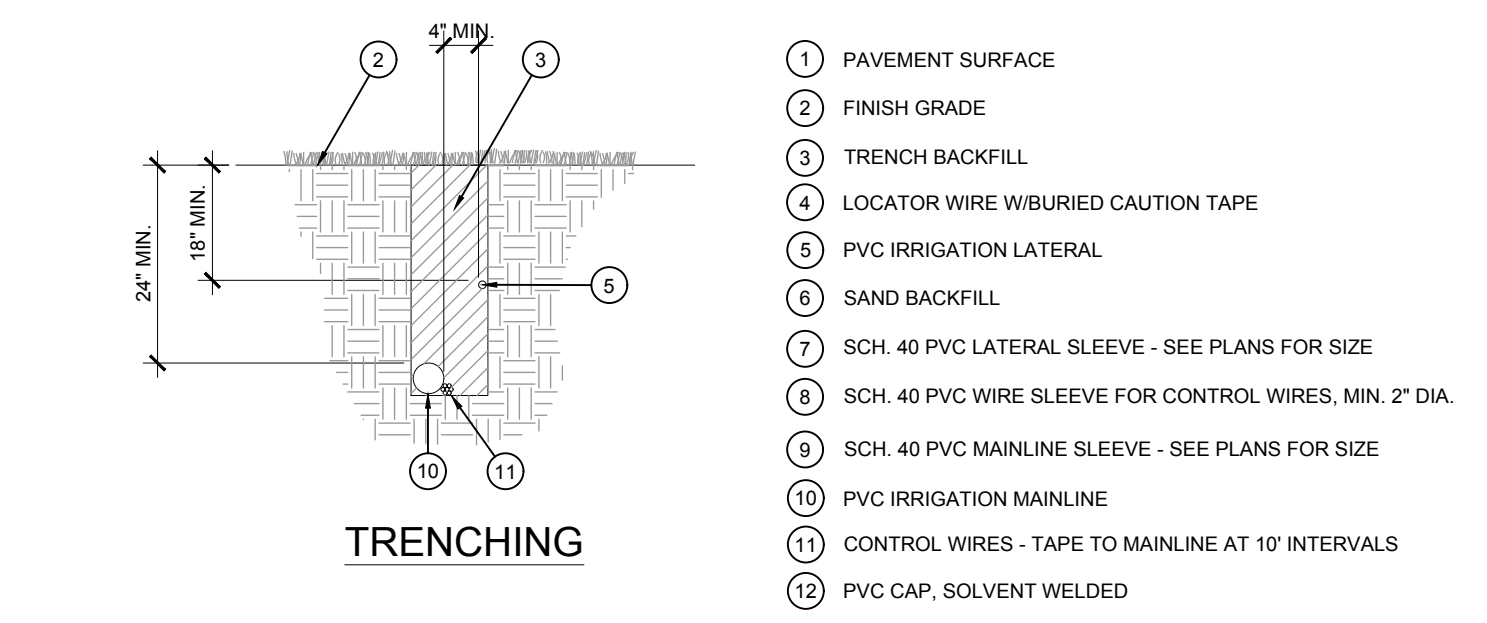
I SUBSURFACE DRIPLINE CONNECTION
SCALE: NOT TO SCALE



J FLUSH VALVE
SCALE: NTS

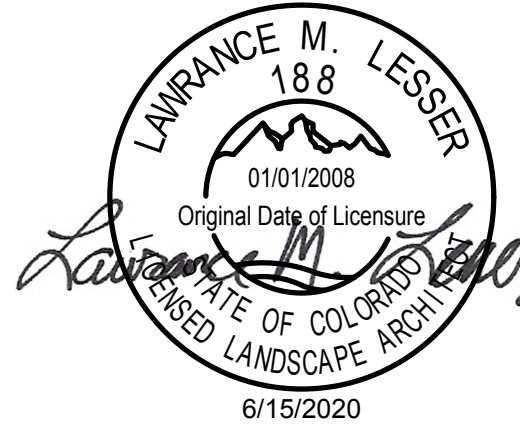


F BRASS BALL VALVE
SCALE: NTS



G PIPE AND SLEEVE INSTALLATION
SCALE: NTS

THE TOWN OF PARKER REVIEW CONSTITUTES GENERAL COMPLIANCE WITH THE TOWN'S STANDARDS AND APPROVED VARIANCES, SUBJECT TO THESE PLANS BEING STAMPED, SIGNED, AND DATED BY THE PROFESSIONAL ENGINEER OF RECORD. REVIEW BY THE TOWN DOES NOT CONSTITUTE APPROVAL OF THE PLAN DESIGN OR ACCURACY AND CORRECTNESS OF ENGINEERING CALCULATIONS. ERRORS IN THE DESIGN OR CALCULATIONS REMAIN THE RESPONSIBILITY OF THE REGISTERED PROFESSIONAL ENGINEER WHOSE STAMP AND SIGNATURE ARE AFFIXED TO THIS DOCUMENT. THIS REVIEW DOES NOT CONSTITUTE APPROVAL OF ANY PRIVATE ON-SITE IMPROVEMENTS WHICH MAY BE SHOWN. CONSTRUCTION CANNOT COMMENCE UNTIL ALL REQUIRED DRAINAGE/TRAFFIC REPORT(S), FINAL DEVELOPMENT PLAN(S), SPECIAL REVIEW(S), GRADING PERMIT, AND/OR OTHER PERMITS ARE COMPLETE, APPROVED AND ON FILE WITH THE TOWN OF PARKER.



DATE	
BY	
REVISION	
No.	

(800) 680-6630
1755 Tebbel Dr., Ste 300
Colorado Springs, CO 80920
www.EvergreenDesignGroup.com

EES
ENTITLEMENT AND
ENGINEERING
SOLUTIONS, INC.
501 S Cherry St., Suite 300
Glendale, CO 80246
303-572-7997 www.ees.us.com

Life Changing Chicken
SLIM CHICKENS
Chicken tenders - Buffalo Wings - Sandwiches - Salads - Wraps

SITE PLAN

SLIM CHICKENS

SWC OF S. PARKER ROAD AND E. PINE LANE, PARKER, CO 80134

IRRIGATION DETAILS

PROJECT NO:	TSD003.01
DESIGNED BY:	CAM
DRAWN BY:	CAM
DATE:	06/15/2020

L-5

811
CALL UTILITY NOTIFICATION CENTER OF COLORADO
1-800-922-1987 or 811

CALL 3 BUSINESS DAYS (NOT INCLUDING INITIAL DAY OF CONTACT) IN ADVANCE BEFORE YOU DIG, GRADE, OR EXCAVATE FOR THE MARKING OF UNDERGROUND MEMBER UTILITIES.

Know what's below.
Call before you dig.