



**Owner**  
New Horizon Academy  
3405 Annapolis Lane  
N., Suite 100  
Plymouth, MN 55447  
763.557.1111

**Architect**  
Short Elliott Hendrickson, Inc.  
2000 South Colorado Boulevard  
Tower One, Suite 6000  
Denver, Colorado 80222  
720.540.6800

**Landscape Architect**  
Short Elliott Hendrickson, Inc.  
10901 Red Circle Drive  
Suite 300  
Minnetonka, MN 55343  
952.912.2600

**Civil Engineer**  
Short Elliott Hendrickson, Inc.  
418 West Superior Street  
Suite 200  
Duluth, MN 55802  
218.279.3000

**Structural Engineer**

**Mechanical Engineer**

**Electrical Engineer**

**NEW HORIZON ACADEMY -  
CHAMBERS & HESS  
PARKER, CO**

This drawing is an instrument of service and shall remain the property of Short Elliott Hendrickson, Inc. (SEH). This drawing and the concepts and ideas contained herein shall not be used, reproduced, revised, or retained without the express written approval of SEH.

Submission or distribution of this drawing to meet official or regulatory requirements or for other purposes in connection with the project is not to be construed as publication in derogation of any of the rights of SEH.

SEH Project: NHOAC 156217  
Checked By: KW  
Drawn By: VT

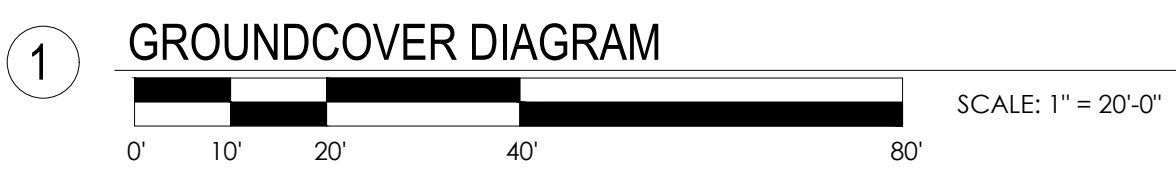
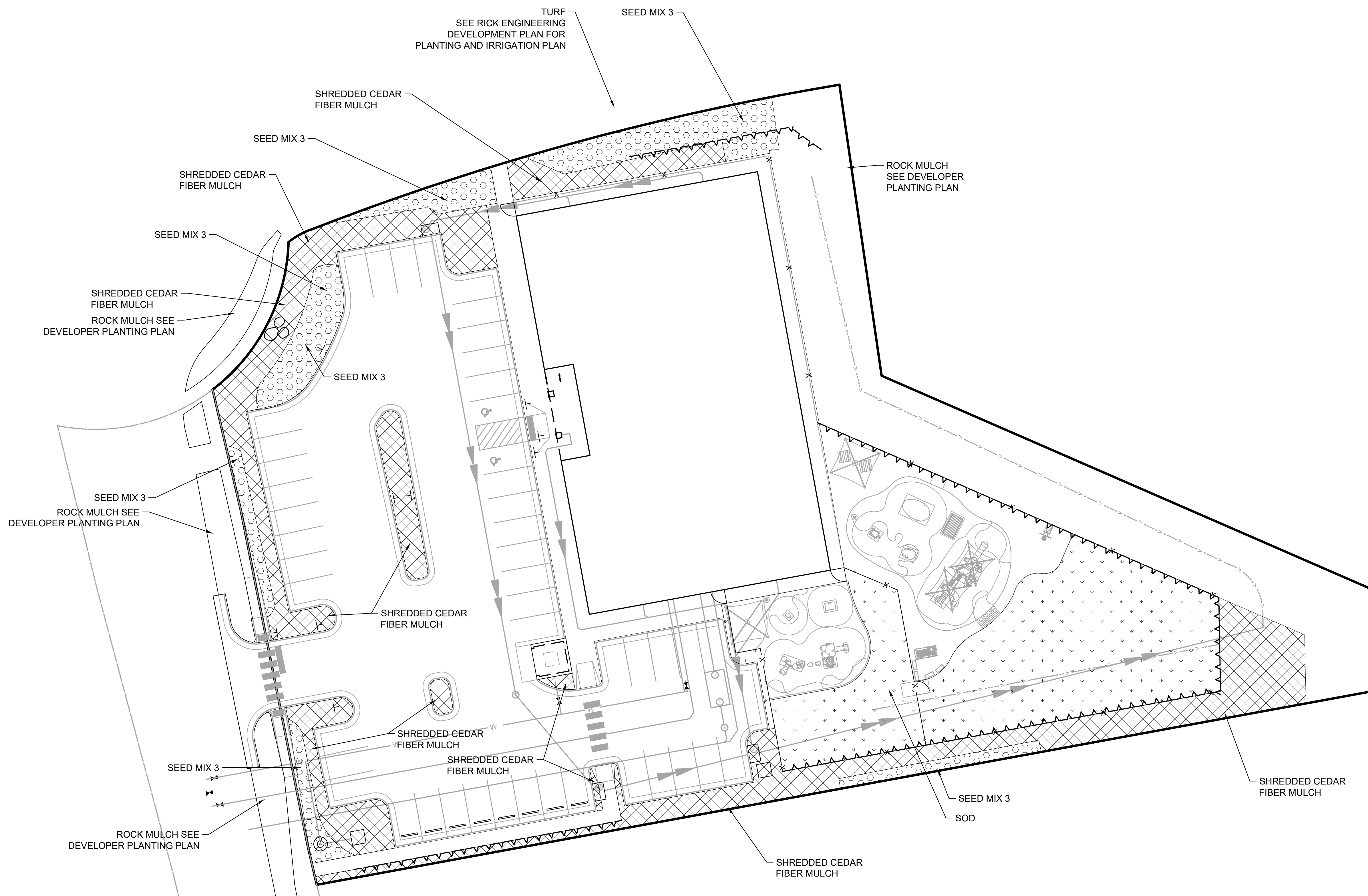
Project Status: Issue Date:

Revision Issue

Rev. # Description Date

GROUNDCOVER DIAGRAM

**L1.02**



- SOD
- SEED MIX 3
- MULCH

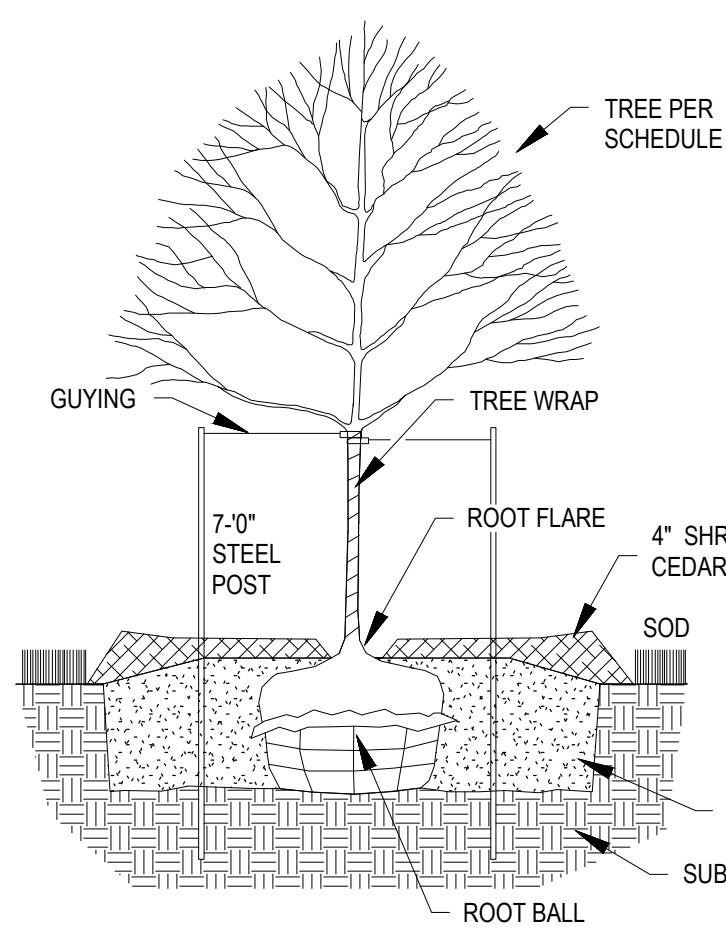
FINAL IRRIGATION PLAN AND SPECIFICATIONS TO BE SUPPLIED BY IRRIGATION CONTRACTOR.

NOTE:  
THE LANDSCAPE WORKSHEET IS 1.8 SFE. A 1" IRRIGATION TAP IS APPROPRIATE IF THE FLOW RATE AND PRESSURE WORK FOR THE IRRIGATION DESIGN.

Groundcover Requirements	
Total Landscape Area	31,851 SF
Playground (By Other)	5,596 SF (18%)
Sod (Playground Area)	7,318 SF (23%)
Town of Parker, Seed Mix 3*	3,155 SF (10%)
Natural Cedar Fiber Mulch-minimum of 4" in depth over base of geotextile fabric.	7,134 SF (22%)
Developer installed Landscape rock	8,648 SF (27%)

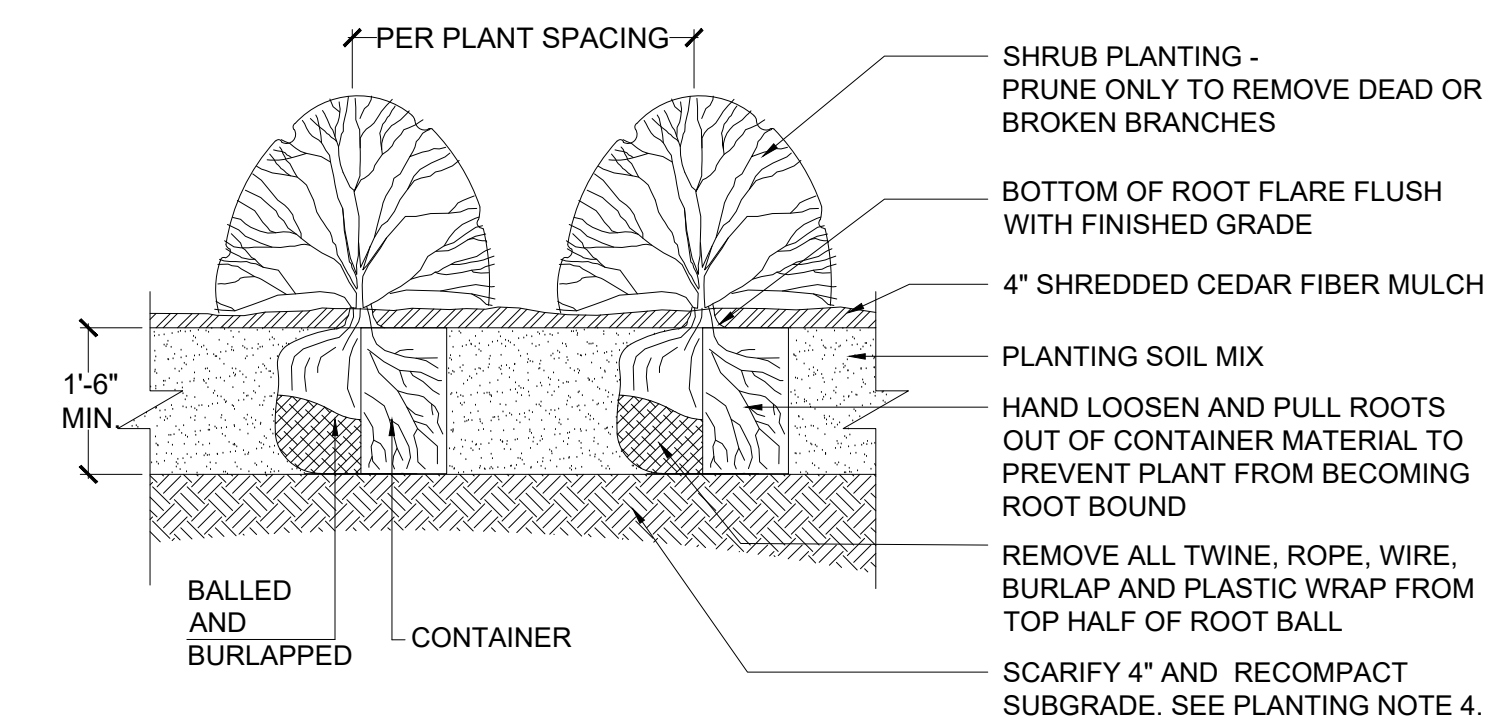
* Town of Parker, Seed Mix 3 (Low-Growth Mix)	
25% Ephraim Crested Wheatgrass	
23% Sheep Fescue	
18% Perennial Ryegrass	
13% Canada Bluegrass	
12% Barley or Oats	
9% Blue Fescue	

X:\WORK\PROJECTS\156217\FINAL\050815\CONTRACTS\FINAL\ACAD\NHOAC\156217\_LA\_2015.11.23.DWG (11/23/2015 4:28 PM)

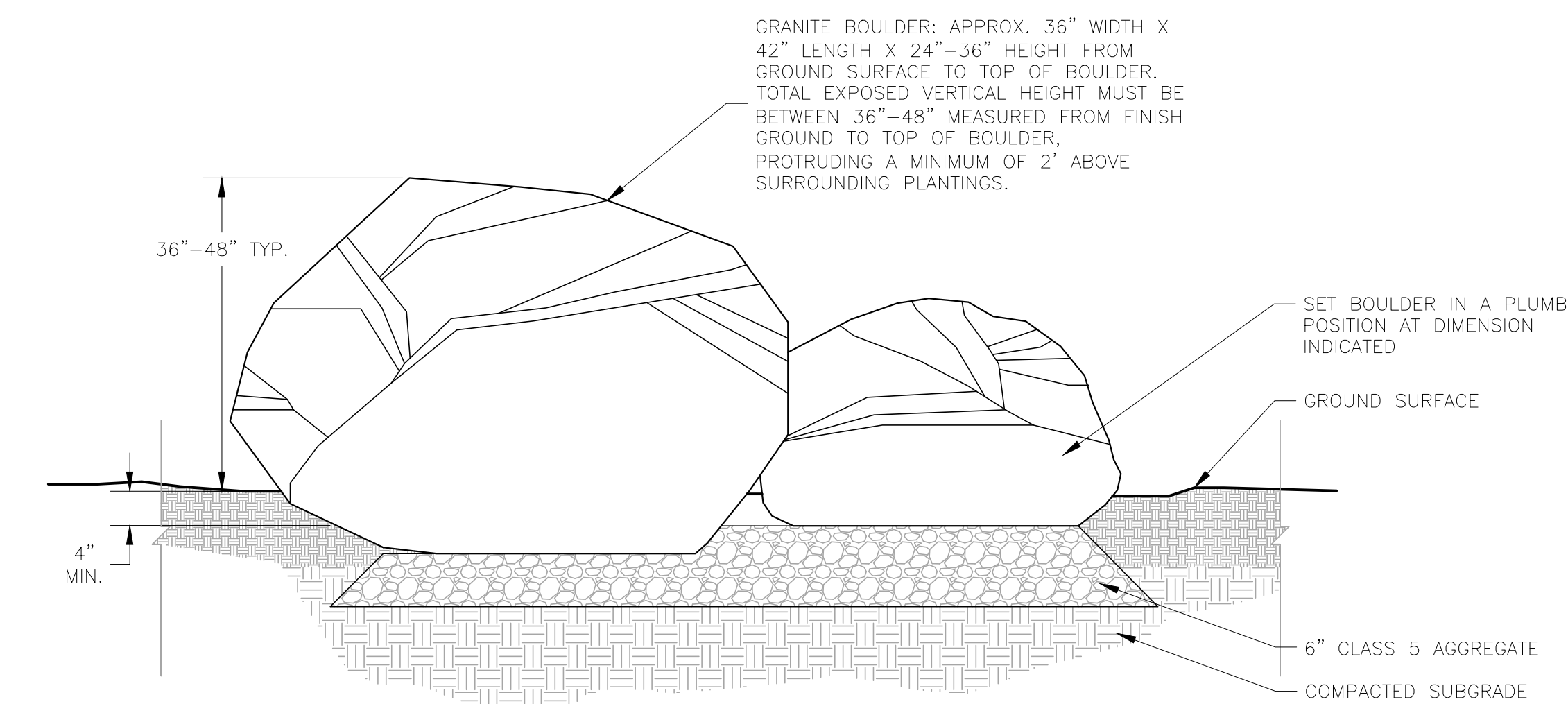


- NOTES:
1. REMOVE DEAD OR DAMAGED BRANCHES. RETAIN THE NATURAL FORM OF THE TREE. DO NOT CUT THE LEADER.
  2. WIDTH OF PLANTING HOLES: 18" MIN. LARGER THAN ROOT BALL, ON ALL SIDES.
  3. DEPTH OF HOLE: ROOT FLARE TO SIT AT OR UP TO 2" ABOVE THE TOP OF THE FINISHED SOIL ELEVATION. LEAVE SOIL UNDISTURBED BENEATH THE ROOT BALL.
  4. SCARIFY BOTTOM AND SIDES OF HOLE PRIOR TO PLANTING.
  5. SET PLANT ON UNDISTURBED SOIL OR THOROUGHLY COMPACTED PLANTING SOIL.
  6. REMOVE TOP 1/3 OF THE BASKET OR THE TOP TWO HORIZONTAL RINGS WHICHEVER IS GREATER. COMPLETELY REMOVE ALL BURLAP FROM TOP 1/3 OF ROOT BALL. REMOVE ALL TWINE. REMOVE OR CORRECT STEM GIRDLING ROOTS.
  7. SLIT REMAINING BURLAP AT 6" INTERVALS.
  8. PLUMB & BACKFILL WITH PLANTING SOIL. THOROUGHLY WATER IN TREE WITHIN 2 HOURS TO SETTLE PLANTS AND FILL VOIDS.
  9. BACKFILL VOIDS AND WATER A SECOND TIME.
  10. PLACE 4" MULCH WITHIN 48 HOURS OF THE SECOND WATERING. NO MULCH TO BE IN CONTACT W/ TRUNK.
  11. CONTRACTOR IS RESPONSIBLE FOR MAINTAINING TREES IN A PLUMB POSITION THROUGHOUT THE GUARANTEE PERIOD. STAKE TREES IF SITE CONDITIONS, SUCH AS SOIL AND WIND, PREVENT THE TREES FROM STAYING PLUMB. USE 16" LONG, 1.5" WIDE STRAPS, SEE SPECS. ATTACH TO POST WITH WIRE SEE SPECS. INSTALL POST 3" INTO GROUND. REMOVE WITHIN ONE YEAR.
  12. WRAP TRUNK IN FALL REMOVE IN SPRING.
  13. REFER TO SPECS. FOR PRODUCTS AND OTHER INFORMATION.

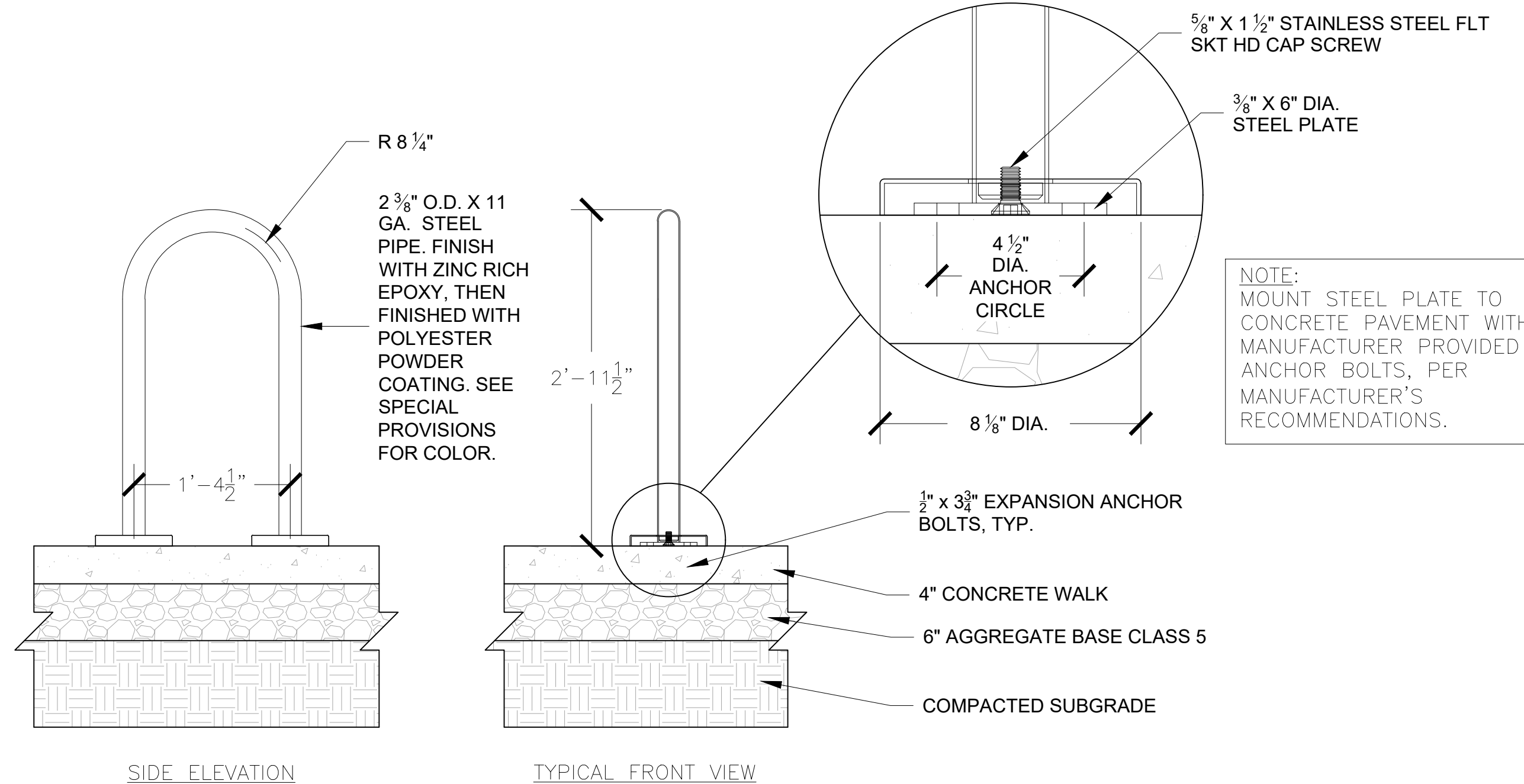
1 TREE PLANTING DETAIL  
NOT TO SCALE



2 SHRUB PLANTING DETAIL  
NOT TO SCALE



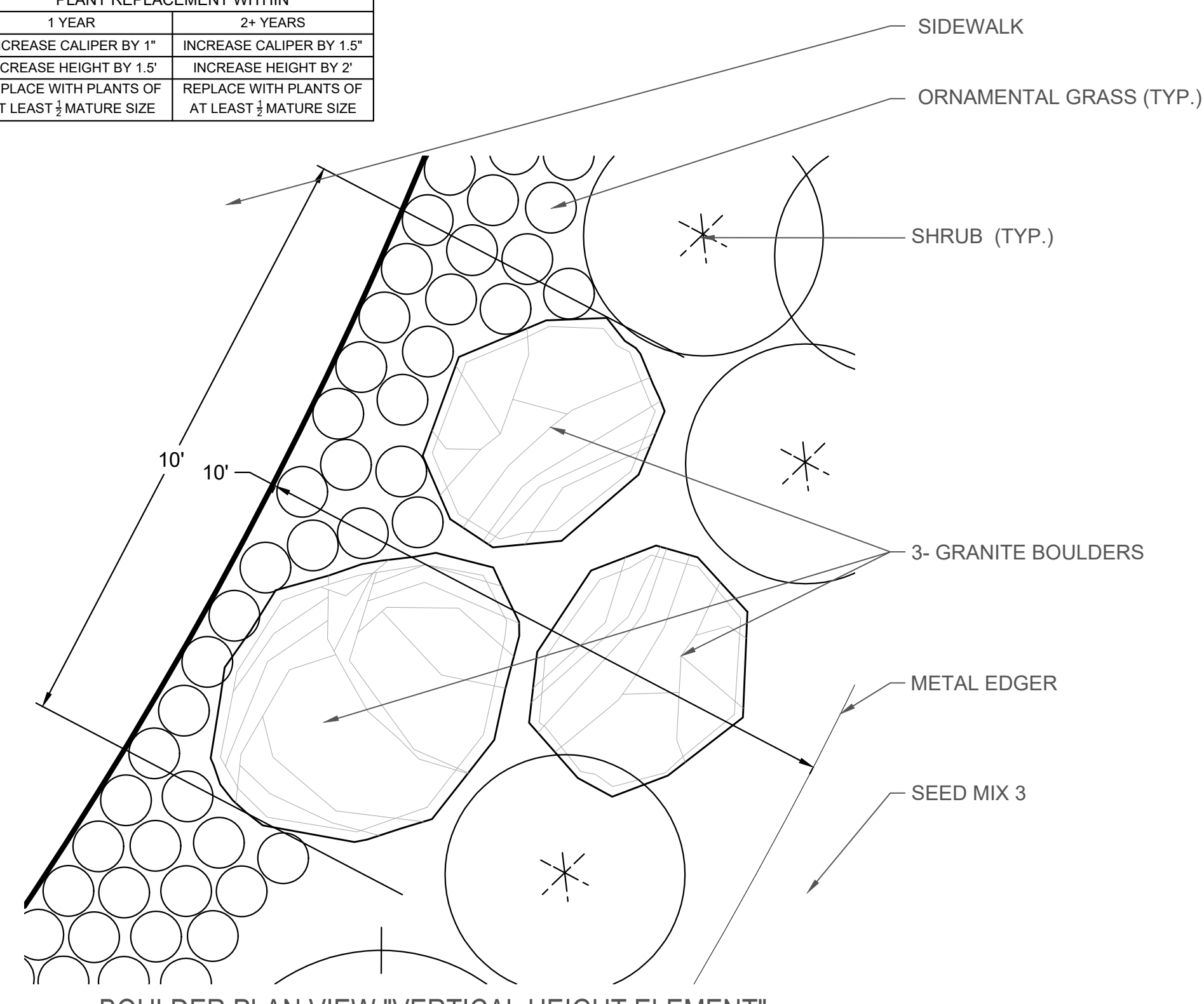
3 BOULDER SECTION "VERTICAL HEIGHT ELEMENT"  
NOT TO SCALE



4 BIKE RACK DETAIL  
NOT TO SCALE

LANDSCAPING SHALL BE PLANTED AND MAINTAINED IN A NEAT, CLEAN AND HEALTHY CONDITION BY THE CONTRACTOR. THIS SHALL INCLUDE PROPER PRUNING, MOVING AND AERATION OF LAWNS, REPLACEMENT OF MULCH, WEEDING, REMOVAL OF LITTER AND THE REGULAR WATERING OF ALL PLANTINGS. IRRIGATION SHALL BE MAINTAINED TO MAXIMIZE WATER CONSUMPTION. SHOULD ANY PLANT MATERIAL DIE, THE CONTRACTOR, SUCCESSOR, OR ASSIGNS SHALL BE RESPONSIBLE FOR THE REPLACEMENT OF PLANT(S) WITHIN ONE PLANTING SEASON. REPLACEMENT OF PLANT MATERIALS SHALL OCCUR AT THE FOLLOWING RATE.

TYPE	PLANT REPLACEMENT WITHIN	
	1 YEAR	2+ YEARS
TREE- DECIDUOUS	INCREASE CALIPER BY 1"	INCREASE CALIPER BY 1.5"
TREE- CONIFEROUS	INCREASE HEIGHT BY 1.5'	INCREASE HEIGHT BY 2'
SHRUB	REPLACE WITH PLANTS OF AT LEAST 1/2 MATURE SIZE	REPLACE WITH PLANTS OF AT LEAST 1/2 MATURE SIZE



5 BOULDER PLAN VIEW "VERTICAL HEIGHT ELEMENT"  
NOT TO SCALE

LANDSCAPE SPECIFICATIONS

TREES, SHRUBS, AND PERENNIALS

1. REFERENCES
  - A. CDOT - COLORADO DEPARTMENT OF TRANSPORTATION, 2017 EDITION.
  - B. AMERICAN STANDARD FOR NURSERY STOCK, ANSI Z60.1-2014.
2. QUALITY ASSURANCE
  - A. WORK SHALL BE PERFORMED BY A LANDSCAPE CONTRACTOR WITH EXTENSIVE HORTICULTURE KNOWLEDGE, AND A MIN. OF 3 YEARS EXPERIENCE.
  - B. HANDLE PLANTS IN SUCH A WAY AS TO PROTECT FROM DAMAGE EITHER PHYSICAL OR BY EXPOSURE TO SUN AND WIND. MISHANDLED PLANTS ARE SUBJECT TO REJECTION BY LANDSCAPE ARCHITECT.
  - C. PLANTS USED ON THIS PROJECT SHALL MEET THE GRADING STANDARDS RECOMMENDED BY THE ANSI Z60.1-2014.
3. PRODUCTS
  - A. PLANTS: TO BE SPECIFIED ON PLANT SCHEDULE.
  - B. EDGING: RYERSON STEEL EDGING 3/8" X 5" W/ 18" STAKES, OR EQUAL.
  - C. MULCH: SHREDDED CEDAR FIBER MULCH, APPLIED A MINIMUM OF FOUR INCHES IN DEPTH, INSTALLED OVER A BASE OF GEOTEXTILE FABRIC.
  - D. WATER: CONTRACTOR TO PROVIDE.
  - E. PLANTING SOIL MIX: RICH SANDY LOAM, FREE OF DEBRIS AND SEEDS, AND CONFORMING TO CDOT 207 (TOPSOIL).
  - F. SOIL AMENDMENTS: CONFORMING TO CDOT 212 (SEEDING, FERTILIZER, SOIL CONDITIONS AND SODDING).
  - G. TREE WRAP: TWO-PLY WEATHER RESISTANT PAPER PRODUCT.
4. PLANTING DATES: SPRING PLANTING: APR. 1- JUNE 15. THESE DATES MAY BE EXTENDED IF DAYTIME TEMPS. REMAIN BELOW 80 DEGREES. FALL: SEPT. 30 - OCT. 30TH. DAYTIME TEMPS. NEED TO DROP BELOW 80 DEGREES BEFORE PLANTING BEGINS, AND MAY CONTINUE UNTIL FREEZE UP. CONIFEROUS TREES AUG. 15- OCT. 1ST. PLANT UNDER FAVORABLE WEATHER CONDITIONS, DO NO PLANT DURING DAYS OF EXTREME HEAT.
5. EXECUTION
  - A. PLANT INTO PREPARED PLANTING BEDS.
  - B. PRIOR TO DIGGING, CONTRACTOR TO HAVE UTILITIES LOCATED AND MARKED.
  - C. CONTRACTOR TO NOTIFY LANDSCAPE ARCHITECT 3 DAYS IN ADVANCE OF WHEN PLANTING WORK WILL OCCUR.
  - D. INSTALL TREES, SHRUBS, AND PERENNIALS PER PLANTING DETAILS. ADJUST LOCATION IF IN CONFLICT WITH UTILITIES. VERIFY NEW LOCATION WITH LANDSCAPE ARCHITECT PRIOR TO PLANTING.
  - E. SEPARATE ALL SHRUB BEDS FROM SOD AREAS WITH METAL EDGER.
  - F. CLEAN-UP ENTIRE SITE FOLLOWING PLANTING OPERATIONS.
6. ACCEPTANCE OF PLANTING WORK
  - A. CONTRACTOR TO NOTIFY OWNER WHEN PLANTING WORK IS COMPLETE FOR REVIEW AND PUNCH LIST.
  - B. CONTRACTOR TO WATER AND MAINTAIN THE TREES, SHRUBS, AND PERENNIALS UNTIL OWNER ACCEPTANCE.
  - C. OWNER WILL GIVE ACCEPTANCE OF WORK, FOLLOWING SATISFACTORY CORRECTION OF PUNCH LIST ITEMS.
  - D. WATERING AND REGULAR LANDSCAPE MAINTENANCE OF TREES, SHRUBS, AND PERENNIALS WILL BE OWNERS RESPONSIBILITY FOLLOWING OWNER ACCEPTANCE OF WORK.
7. GUARANTEE PERIOD
  - A. CONTRACTOR TO WARRANT TREES, SHRUBS, AND PERENNIALS FOR TWO YEARS FOLLOWING ACCEPTANCE OF WORK BY OWNER.
  - B. CONTRACTOR TO MAINTAIN THE TREES IN A PLUMB POSITION THROUGHOUT THE GUARANTEE PERIOD. CONTRACTOR TO REMOVE ALL STAKING/ WIRING/ STRAPS FROM FREES AT THE END OF THE GUARANTEE PERIOD.
  - C. REPLACEMENTS: AT THE END OF THE GUARANTEE PERIOD, ALL PLANTS WHICH ARE UNHEALTHY, DEAD, NOT HAVING A NORMAL DENSITY, SIZE, SHAPE OR COLOR SHALL BE REPLACED. REPLACEMENTS SHALL MATCH CALIPER AND/OR HEIGHT OF THE OTHER PLANTS AT TIME OF REPLACEMENT. SELECTION OF REPLACEMENT MATERIAL AND INSTALLATION PRACTICES SHALL FOLLOW THE REQUIREMENTS OF THE DRAWINGS AND SPECIFICATIONS.
8. IRRIGATION
  - A. CONFORM TO THE REQUIREMENTS OF CDOT 107.14 (INTERRUPTION OF IRRIGATION WATER FLOW), CDOT 623 (IRRIGATION SYSTEM) AND ALL OTHER APPLICABLE CDOT IRRIGATION MATERIALS AND CONSTRUCTION REQUIREMENTS.

Owner  
New Horizon Academy  
3405 Annapolis Lane  
N., Suite 100  
Plymouth, MN 55447  
763.557.1111

Architect  
Short Elliott Hendrickson, Inc.  
2000 South Colorado Boulevard  
Tower One, Suite 6000  
Denver, Colorado 80222  
720.540.6800

Landscape Architect  
Short Elliott Hendrickson, Inc.  
10901 Red Circle Drive  
Suite 300  
Minnetonka, MN 55343  
952.912.2600

Civil Engineer  
Short Elliott Hendrickson, Inc.  
418 West Superior Street  
Suite 200  
Duluth, MN 55802  
218.279.3000

Structural Engineer

Mechanical Engineer

Electrical Engineer

NEW HORIZON ACADEMY -  
CHAMBERS & HESS  
PARKER, CO

This drawing is an instrument of service and shall remain the property of Short Elliott Hendrickson, Inc. (SEH). This drawing and the concepts and ideas contained herein shall not be used, reproduced, revised, or retained without the express written approval of SEH.

Submission or distribution of this drawing to meet official or regulatory requirements or for other purposes in connection with the project is not to be construed as publication in derogation of any of the rights of SEH.

SEH Project: NHOAC 152217  
Checked By: KW  
Drawn By: VT

Copyright © 2020 SEH, Inc. All Rights Reserved.

Project Status Issue Date

Revision Issue

Rev. # Description Date