



Building a Better World for All of Us®



Owner: New Horizon Academy, 3405 Annapolis Lane N., Suite 100, Plymouth, MN 55447, 763.557.1111
Architect: Short Elliott Hendrickson, Inc., 2000 South Colorado Boulevard, Tower One, Suite 6000, Denver, Colorado 80222, 720.540.6800
Landscape Architect: Short Elliott Hendrickson, Inc., 19501 Reed Circle Drive, Suite 300, Minnetonka, MN 55343, 952.912.2600
Civil Engineer: Short Elliott Hendrickson, Inc., 2000 South Colorado Boulevard, Tower One, Suite 6000, Denver, Colorado 80222, 720.540.6800
Structural Engineer: Short Elliott Hendrickson, Inc., 3535 Vadnais Center Drive, St. Paul, MN 55110, 651.490.2000
Mechanical Engineer: Short Elliott Hendrickson, Inc., 3535 Vadnais Center Drive, St. Paul, MN 55110, 651.490.2000
Electrical Engineer: Short Elliott Hendrickson, Inc., 3535 Vadnais Center Drive, St. Paul, MN 55110, 651.490.2000

NEW HORIZON ACADEMY - DOUGLAS 234 FILING, NO. 6 PARKER, CO

This drawing is an instrument of service and shall remain the property of Short Elliott Hendrickson, Inc. (SEH). This drawing and the concepts and ideas contained herein shall not be used, reproduced, revised, or retained without the express written approval of SEH.

SEH Project Checked By: DRH Drawn By: AMP

Project Status: CONSTRUCTION SET Issue Date: 6/25/2021

Revision Issue table with columns: Rev. #, Description, Date

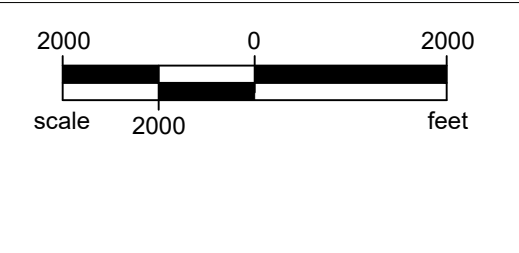
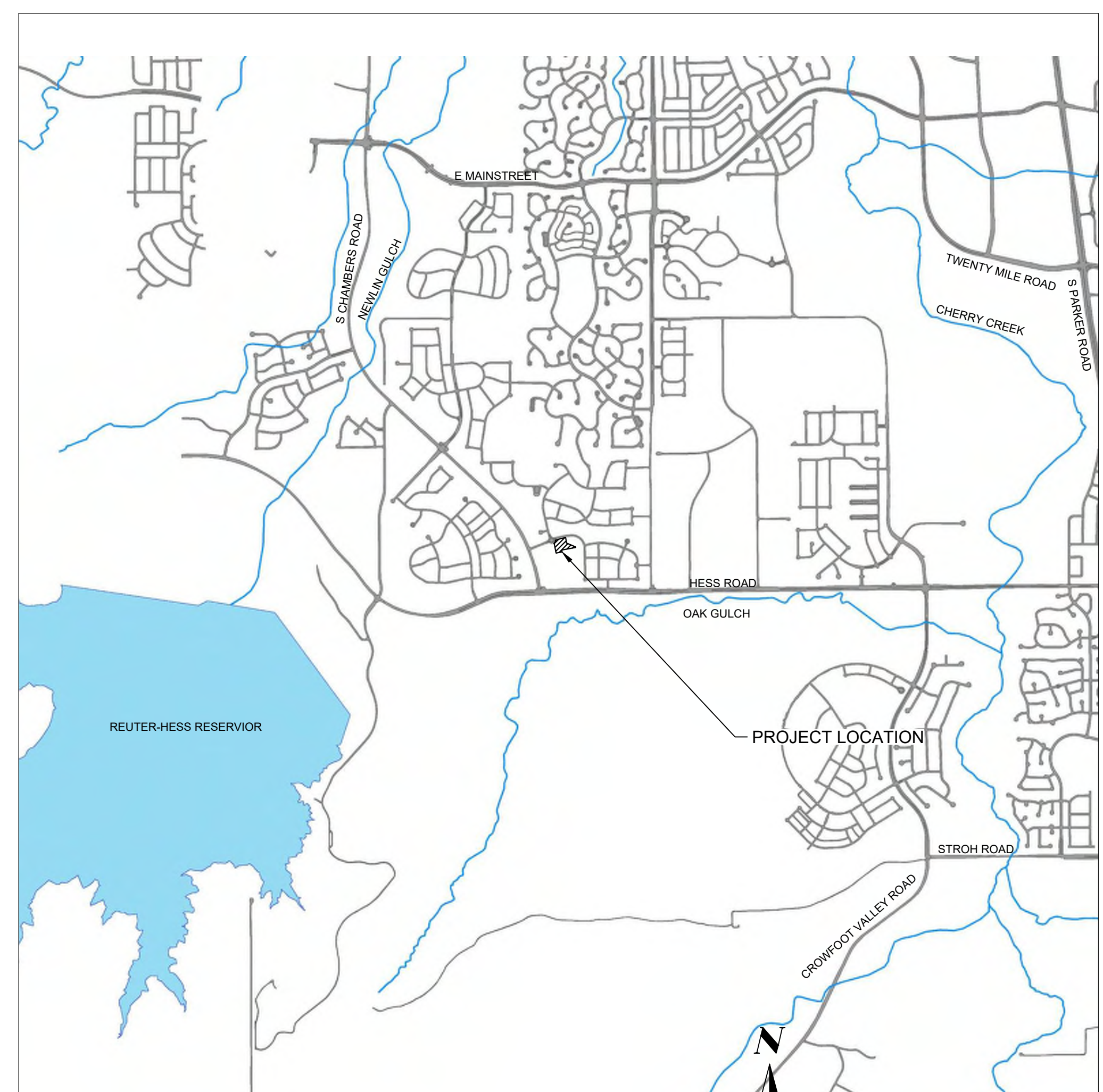
COVER SHEET

C0.0

DOUGLAS 234, FILING NO. 6

A PORTION OF THE SOUTHWEST QUARTER OF THE SOUTHWEST QUARTER OF SECTION 29, TOWNSHIP 6 SOUTH, RANGE 66 WEST OF THE 6TH PRINCIPAL MERIDIAN TOWN OF PARKER, COUNTY OF DOUGLAS, STATE OF COLORADO 1.518 ACRES

CIVIL CONSTRUCTION PLANS FOR NEW HORIZON ACADEMY



PLAN SHEET INDEX table with columns: SHEET NUMBER, SHEET TITLE. Rows include C0.0 COVER SHEET, C0.1 GENERAL NOTES, C1.0 EXISTING CONDITIONS, C1.1 OVERALL SITE, C1.2 BUILDING SITE LAYOUT, C1.3 PARKING LOT SITE LAYOUT, C1.4 RETAINING WALL PLAN, C1.5 RETAINING WALL PROFILES, C1.6 CIVIL DETAILS, C2.0 GRADING PLAN, C3.0 INITIAL CBMP PLAN, C3.1 INTERIM-FINAL CBMP PLAN, C3.2 - C3.10 CBMP DETAILS, C4.0 STORM SEWER PLAN - PARKING LOT, C4.1 STORM SEWER PLAN - PLAYGROUND, C4.2 - C4.3 STORM SEWER DETAILS, C5.0 SIGNAGE PLAN

CONTACT LIST

PARKER PUBLIC WORKS 20120 E MAINSTREET PARKER, CO 80138 STREETS - MIKE WAUGH STORM WATER - JACOB JAMES 303-840-9546

TOWN OF PARKER POLICE DEPARTMENT 196000 E PARKER SQUARE DR. PARKER, CO 80134 303-841-9800

PARKER WATER AND SANITATION DISTRICT 18100 E. WOODMAN DR. PARKER, CO 80134 303-841-4627

FIRE & LIFE SAFETY RANDALL CAPRA 20120 E. MAINSTREET CENTENNIAL, CO 80138 303-205-3169

UTILITY NOTIFICATION COMPANY OF COLORADO 2801 S. YOUNGFIELD ST. SUITE 301 GOLDEN, CO 80401 LOCAL CALLS 800-922-1987 (811)

XCEL ENERGY MICHELLE O'NAN 5909 E. 38TH AVE. DENVER, CO 80207 303-329-1618

COMCAST KEVIN YOUNG 6859 S. TUCSON WAY ENGLEWOOD, CO 80112 720-490-3867

CENTURY LINK WILLIAM BENSON 9750 E. COSTILLA AVE. ENGLEWOOD, CO 80220 303-792-6069

COLORADO DEPARTMENT OF HEALTH 4210 E. 11TH AVE. DENVER, CO 303-320-8333

INTERMOUNTAIN RURAL ELECTRIC ASSOCIATION JASON JENKS 5496 NORTH US HWY 85 P.O. BOX DRAWER A SEDALIA, CO 80135 303-688-3100

MILE HIGH FLOOD DISTRICT (MHFD) MIKE SARMENTO 2480 W 26TH AVE. SUITE 156-B DENVER, CO 80211 303-455-6277

SITE DISTANCE CERTIFICATION

I, THE UNDERSIGNED, HEREBY CERTIFY THAT THE PROPOSED SUBDIVISION IS DESIGNED IN ACCORDANCE WITH THE TOWN OF PARKER SIGHT DISTANCE CRITERIA AND WITH AASHTO POLICY ON GEOMETRIC DESIGN OF HIGHWAY & STREETS.

TIM NUETZEL LICENSE NO.

TOWN OF PARKER APPROVAL

The Town of Parker review constitutes general compliance with the Town's Standards and approved variances, subject to these plans being stamped, signed, and dated by the professional engineer of record. Review by the Town does not constitute approval of the plan design or accuracy and correctness of engineering calculations. Errors in the design or calculations remain the responsibility of the registered professional engineer whose stamp and signature are affixed to this document.

This review does not constitute approval of any private on-site improvements which may be shown. Construction cannot commence until all required drainage/traffic report(s), final development plan(s), special review(s), grading permit, and/or other permits are complete, approved and on file with the Town of Parker.

Signature of Tim Nuetzel, Director of Engineering, dated 08/17/2022

- EXISTING: RIGHT OF WAY, PERMANENT EASEMENT, PROPERTY LINE, HORIZONTAL CONTROL POINT, BENCHMARK, SURVEY MARKER, SOIL BORING, SANITARY SEWER AND MANHOLE, FORCE MAIN AND LIFT STATION, SANITARY SEWER SERVICE & CLEANOUT, WATER MAIN, HYDRANT, VALVE AND MANHOLE, WATER SERVICE AND CURB STOP BOX, STORM SEWER, MANHOLE AND CATCH BASIN, CULVERT AND APRON ENDWALL, GAS MAIN, VALVE, VENT AND METER, HANDHOLE, BURIED FIBER OPTIC CABLE AND MANHOLE, BURIED PHONE CABLE, PEDESTAL AND MANHOLE, BURIED TV CABLE, PEDESTAL AND MANHOLE, BURIED ELECTRIC CABLE, PEDESTAL, MANHOLE, TRANSFORMER AND METER, OVERHEAD WIRE, POLE AND GUY WIRE, LIGHT POLE, TRAFFIC SIGNAL, STREET NAME SIGN, SIGN (NON STREET NAME), RAILROAD TRACKS, DECIDUOUS AND CONIFEROUS TREE, BUSH / SHRUB AND STUMP, EDGE OF WOODED AREA, WETLAND, BUILDING, FENCE (UNIDENTIFIED), BARBED WIRE FENCE, CHAIN LINK FENCE, ELECTRIC WIRE FENCE, WOOD FENCE, WOVEN WIRE FENCE, PLATE BEAM GUARDRAIL, CABLE GUARDRAIL, POST / BOLLARD, RETAINING WALL.
PROPOSED: STREET CENTERLINE, RIGHT-OF-WAY, PERMANENT EASEMENT, TEMPORARY EASEMENT, CONSTRUCTION LIMITS, SANITARY SEWER, BULKHEAD AND MANHOLE, FORCE MAIN, SANITARY SERVICE AND CLEANOUT, WATER MAIN, TEE, HYDRANT, BULKHEAD AND VALVE, WATER VALVE MANHOLE, REDUCER, BEND AND CROSS, WATER SERVICE AND CURB STOP BOX, STORM SEWER, MANHOLE AND CATCH BASIN, CULVERT AND APRON ENDWALL, DRAIN TILE, DITCH / SWALE, RIPRAP, STREET NAME SIGN, SIGN (NON STREET NAME), RETAINING WALL.

SOIL PREPARATION AND PAVEMENT DESIGN NOTE
SOIL PREPARATION AND PAVEMENT DESIGN SHALL BE PER RECOMMENDATIONS FROM A GEOTECHNICAL REPORT PREPARED FOR THIS SITE AS FOLLOWS.

GEOTECHNICAL ENGINEER: ROCKY MOUNTAIN GROUP. PROJECT NO. 167366

THE CONTRACTOR MUST FULLY REVIEW THIS REPORT AND BRING ANY CONFLICTS BETWEEN IT AND THE CONSTRUCTION PLANS AND SPECIFICATIONS TO THE ENGINEER'S ATTENTION PRIOR TO BEGINNING WORK.

BASIS OF BEARINGS:

THE SOUTH LINE OF THE SOUTHEAST QUARTER OF SECTION 29 TOWNSHIP 6 SOUTH, RANGE 66 WEST, 6TH P.M. BEARING SOUTH 89°15'13" WEST AS SHOWN ON FINAL PLAT DOUGLAS 234 FILING NO. 1.

BENCHMARK

BENCHMARK IS BY GPS OBSERVATION NAVD 88. SET SITE BENCHMARK AT NORTHWEST CORNER OF INLET ON CHAMBERS RD. APPROXIMATELY 200'+/- NORTH OF HESS RD.

Save: 6/7/2021 3:26 PM approp Plot: 6/25/2021 9:08 AM X:\K\O\N\H\O\A\C1\56217\5-final-design\5-drawings\10-Civil\cadd\dwg\sheet\Site Plans\CO_NH\OAC156217_CivilTitle.dwg



Building a Better World for All of Us®



Owner
New Horizon Academy
3405 Annapolis Lane
N., Suite 100
Plymouth, MN 55447
763.557.1111

Architect
Short Elliott Hendrickson, Inc.
2000 South Colorado Boulevard
Tower One, Suite 6000
Denver, Colorado 80222
720.540.6800

Landscape Architect
Short Elliott Hendrickson, Inc.
10901 Reed Circle Drive
Suite 300
Minnetonka, MN 55343
952.912.2600

Civil Engineer
Short Elliott Hendrickson, Inc.
2000 South Colorado Boulevard
Tower One, Suite 6000
Denver, Colorado 80222
720.540.6800

Structural Engineer
Short Elliott Hendrickson, Inc.
3535 Vadnais Center Drive
St. Paul, MN 55110
651.490.2000

Mechanical Engineer
Short Elliott Hendrickson, Inc.
3535 Vadnais Center Drive
St. Paul, MN 55110
651.490.2000

Electrical Engineer
Short Elliott Hendrickson, Inc.
3535 Vadnais Center Drive
St. Paul, MN 55110
651.490.2000

TOWN OF PARKER GENERAL NOTES – CONSTRUCTION

- 1. ALL MATERIALS AND CONSTRUCTION SHALL BE IN CONFORMANCE WITH THE LATEST EDITION OF THE COLORADO DEPARTMENT OF TRANSPORTATION STANDARD SPECIFICATIONS FOR ROAD AND BRIDGE CONSTRUCTION...
2. ALL MATERIALS AND WORKMANSHIP SHALL BE SUBJECT TO INSPECTION BY THE TOWN OF PARKER PUBLIC WORKS DEPARTMENT...
3. A PRECONSTRUCTION MEETING SHALL BE SCHEDULED A MINIMUM OF 48 HOURS AND A MAXIMUM OF 96 HOURS PRIOR TO THE START OF CONSTRUCTION...
4. THE TOWN INSPECTOR SHALL BE CONTACTED A MINIMUM OF 24 HOURS PRIOR TO A NECESSARY INSPECTION...
5. LOCATION OF EXISTING UTILITIES SHALL BE VERIFIED BY THE CONTRACTOR PRIOR TO ACTUAL CONSTRUCTION...
6. THE CONTRACTOR SHALL HAVE ONE (1) SIGNED COPY OF THE PLANS, APPROVED BY THE TOWN OF PARKER DIRECTOR OF ENGINEERING/PUBLIC WORKS...
7. A PLAN FOR TRAFFIC CONTROL DURING CONSTRUCTION SHALL BE SUBMITTED TO THE TOWN OF PARKER FOR ACCEPTANCE...
8. ALL TRENCHES SHALL BE ADEQUATELY SUPPORTED AND THE SAFETY OF WORKERS PROVIDED FOR AS REQUIRED BY THE MOST RECENT OCCUPATIONAL SAFETY AND HEALTH ADMINISTRATION (OSHA) "SAFETY AND HEALTH REGULATIONS FOR CONSTRUCTION."
9. COMPACTION OF ALL TRENCHES MUST BE ATTAINED AND COMPACTION TEST RESULTS SUBMITTED TO THE DEVELOPMENT REVIEW ENGINEER IN PRELIMINARY FORM PRIOR TO PAVING AND IN FINAL FORM PRIOR TO PROBATIONARY ACCEPTANCE.
10. THE CONTRACTOR IS RESPONSIBLE FOR IMPLEMENTING AND MAINTAINING EROSION AND SEDIMENT CONTROL MEASURES AT ALL TIMES DURING CONSTRUCTION...
11. THE CONTRACTOR SHALL PROVIDE, ERECT AND MAINTAIN PROPER TRAFFIC CONTROL DEVICES UNTIL THE SITE IS OPEN TO TRAFFIC...
12. PLANS ARE APPROVED FOR PERIOD OF 1 (ONE) YEAR FROM THE DATE SHOWN ON THE TOWN OF PARKER SIGNATURE BLOCK...
13. REPAIR OF ANY DAMAGE TO EXISTING IMPROVEMENTS OR LANDSCAPING IS THE RESPONSIBILITY OF THE CONTRACTOR...
14. ALL DAMAGED EXISTING CURB, GUTTER, AND SIDEWALK SHALL BE REPAIRED PRIOR TO ACCEPTANCE OF COMPLETED IMPROVEMENTS.
15. ALL CONSTRUCTION ACTIVITIES MUST COMPLY WITH THE STATE OF COLORADO PERMITTING PROCESS FOR "STORMWATER DISCHARGES ASSOCIATED WITH CONSTRUCTION ACTIVITY."
16. IF DEWATERING IS REQUIRED, A STATE CONSTRUCTION DEWATERING DISCHARGE PERMIT IS REQUIRED FOR DISCHARGES TO A STORM SEWER, CHANNEL, IRRIGATION DITCH, ANY STREET THAT IS TRIBUTARY TO THE AFOREMENTIONED FACILITIES...
17. ALL REFERENCES TO BOOKS, PAGES, MAPS, AND RECEPTION NUMBER ARE PUBLIC DOCUMENTS ON FILE WITH THE COUNTY CLERK AND RECORDER'S OFFICE

TOWN OF PARKER GENERAL NOTES – ROADWAY NOTES

- 1. PAVING SHALL NOT COMMENCE UNTIL A SOILS REPORT AND PAVEMENT DESIGN IS APPROVED BY THE TOWN OF PARKER AND SUBGRADE COMPACTION TESTS ARE SUBMITTED TO AND APPROVED BY THE TOWN INSPECTOR.
2. STANDARD TOWN OF PARKER CURB RAMPS ARE TO BE CONSTRUCTED AT ALL CURB RETURNS AND AT ALL "T" INTERSECTIONS IN ACCORDANCE WITH THE LATEST TOWN OF PARKER STANDARDS
3. ALL STATIONING IS BASED ON CENTERLINE OF ROADWAYS UNLESS OTHERWISE NOTED.
4. ALL ELEVATIONS ARE ON USGS DATUM WITH DATE, RANGE POINT OR MONUMENT SHALL BE SHOWN ON THE CONSTRUCTION PLANS.
5. EXCEPT WHERE OTHERWISE PROVIDED FOR IN THESE PLANS AND SPECIFICATIONS, THE COLORADO DEPARTMENT OF HIGHWAYS STANDARD SPECIFICATIONS FOR ROAD AND BRIDGE CONSTRUCTION, THE COLORADO DEPARTMENT OF HIGHWAYS M AND S STANDARDS, AND THE TOWN OF PARKER ROADWAY DESIGN AND CONSTRUCTION CRITERIA MANUAL, LATEST EDITION, SHALL APPLY.

TOWN OF PARKER GENERAL NOTES – STORM SEWER SYSTEM

- 1. ALL STORM DRAINAGE IMPROVEMENTS ARE SUBJECT TO COMPLIANCE WITH THE COLORADO DEPARTMENT OF TRANSPORTATION (CDOT) CURRENT EDITION OF THE STANDARD SPECIFICATIONS FOR ROAD AND BRIDGE CONSTRUCTION, M & S STANDARDS, AND ALL STANDARD SPECIAL PROVISIONS CURRENTLY USED BY CDOT...
2. THE CONTRACTOR SHALL COMPLY WITH THE "COLORADO WATER QUALITY CONTROL ACT" (TITLE 25, ARTICLE 8 CRS), THE "PROTECTION OF FISHING STREAMS" TITLE 33, ARTICLE 5, CRS, THE "CLEAN WATER ACT" (33 USC 1344), CHERRY CREEK RESERVOIR CONTROL REGULATION NO. 72" (5 CCR 1002-72)...
3. INSPECTIONS: CONSTRUCTION SHALL NOT BEGIN UNTIL A GRADING PERMIT HAS BEEN ISSUED FOR THE PROJECT...
4. STRUCTURAL BACKFILL (CDOT CLASS 1) SHALL BE COMPACTED TO CONFORM TO CDOT STANDARD SPECIFICATION 203.03...
5. ALL EXCAVATIONS SHALL MEET OSHA REQUIREMENTS.
6. TESTING: PROBATIONARY ACCEPTANCE OF STORM DRAINAGE IMPROVEMENTS WILL BE CONTINGENT UPON SATISFACTORY TESTING RESULTS...
7. ALLOWABLE STORM SEWER CONDUIT MATERIAL WITHIN THE TOWN OF PARKER SHALL BE LIMITED TO REINFORCED CONCRETE PIPE (RCP) CONFORMING TO CDOT STANDARD SPECIFICATION 706.02.
8. ALL RCP JOINTS SHALL BE MANUFACTURED IN ACCORDANCE WITH ASTM C443. RUBBER GASKETS SHALL BE USED ON ALL PIPE JOINTS CONFORMING TO ASTM C443...

TOWN OF PARKER GENERAL NOTES – STORM SEWER SYSTEM (CONT.)

- 9. JOINT RESTRAINTS AND TOE-WALLS, CONFORMING TO CDOT M&S STANDARD PLAN NO. M-601-11 SHALL BE USED ON ALL RCP FLARED END SECTION OUTFALLS.
10. EPOXY COATED REBAR SHALL BE USED AS REINFORCING STEEL ON ALL STORM INLETS AND STRUCTURES...
11. CDOT CLASS D CONCRETE SHALL BE USED FOR ALL CONCRETE DRAINAGE STRUCTURES.
12. PRE-CAST INLETS AND MANHOLE BASES SHALL NOT BE USED WITHIN THE TOWN OF PARKER RIGHT-OF-WAY...
13. TWO- (2) MANHOLE ACCESS POINTS ARE REQUIRED ON ALL TYPE "R" CURB INLETS GREATER THAN OR EQUAL TO TEN (10) FEET IN LENGTH...
14. ALL GROUTING (BOULDERS, RIPRAP) SHALL BE IN ACCORDANCE WITH THE REVISION OF SECTION 506 OF THE CDOT STANDARD SPECIFICATIONS AS PRESENTED IN THE SDECM.
15. ALL BOULDERS AND RIPRAP SHALL BE SELECTED AND PLACED IN ACCORDANCE WITH THE REVISION OF SECTION 506 OF THE CDOT STANDARD SPECIFICATIONS AS PRESENTED IN THE SDECM.
16. CONTRACTOR SHALL REFER TO THE TOWN OF PARKER'S CONSTRUCTION BEST MANAGEMENT PRACTICES DETAILS AND NOTES FOR ALL REQUIREMENTS RELATING TO RE-VEGETATION, SEDIMENT AND EROSION CONTROL REQUIREMENTS FOR CONSTRUCTION ACTIVITIES.
17. PIPE BELLS SHALL NOT BE CAST INTO MANHOLE BASES OR INLETS.

TOWN OF PARKER GENERAL NOTES – SIGNAGE AND STRIPING

- 1. ALL TRAFFIC CONTROL DEVICES SHALL CONFORM TO THE MOST RECENT VERSION OF THE FEDERAL MANUAL ON UNIFORM TRAFFIC CONTROL DEVICES (MUTCD), COLORADO SUPPLEMENTAL MUTCD, AND THE TOWN OF PARKER ROADWAY DESIGN AND CONSTRUCTION CRITERIA MANUAL...
2. A FIELD INSPECTION OF LOCATION AND INSTALLATION OF ALL SIGNS AND MARKINGS SHALL BE PERFORMED BY THE TOWN OF PARKER.
3. THE CONTRACTOR INSTALLING SIGNS SHALL BE RESPONSIBLE FOR THE LOCATING AND PROTECTING OF ALL UNDERGROUND UTILITIES.
4. TYPE III (LIGHTED) BARRICADES SHALL BE SET AT THE ENDS OF ROADWAYS SEPARATING FINISHED (AND/OR ACCEPTED) AND UNFINISHED CONSTRUCTION AREAS...
5. SPECIAL CARE SHALL BE TAKEN IN SIGN LOCATIONS TO ENSURE AN UNOBSTRUCTED VIEW OF EACH SIGN.
6. WHERE STOP SIGN CONTROL IS APPROPRIATE, 36 INCH STOP SIGNS SHALL BE USED FOR APPROACHES TO ANY ROADWAY THAT IS CLASSIFIED AS A COLLECTOR OR GREATER.
7. A 7 FOOT MINIMUM POST LENGTH SHALL BE MAINTAINED FROM THE BOTTOM OF THE SIGN PANEL TO THE GROUND...
8. DELINEATION OF ROADWAYS SHALL BE AS SPECIFIED IN THE COLORADO DEPARTMENT OF TRANSPORTATION M AND S STANDARDS.
9. RAISED MEDIAN ISLAND NOSES SHALL HAVE R4-7 SIGNS AT EACH END AND A 4"X12" HIGH INTENSITY YELLOW SIGN BLANK LOCATED MIDWAY BETWEEN THE R4-7 SIGN AND FINISHED GRADE...
10. SIGNAGE AND STRIPING HAS BEEN DETERMINED BY INFORMATION AVAILABLE AT THE TIME OF REVIEW...
11. DIAMOND GRADE MATERIAL SHALL BE USED ON ALL STOP SIGNS AND OVERHEAD SIGNS...
12. ALL STREET NAME SIGNS SHALL BE HIGH INTENSITY, EXTRUDED, GREEN AND WHITE BLADES...
13. ALL LAYOUTS FOR INTERNALLY ILLUMINATED STREET NAME SIGNS SHALL BE SUBMITTED TO THE TOWN FOR REVIEW AND APPROVAL PRIOR TO FABRICATION.
14. ALL REMOVED SIGNS SHALL BE RETURNED TO THE TOWN OF PARKER.

TOWN OF PARKER GENERAL NOTES – SIGNAGE AND STRIPING

- 15. CROSSWALKS: SHALL BE CONSTRUCTED USING PREFORMED THERMO-PLASTIC OR AN APPROVED EQUAL.
SHALL BE LONGITUDINAL 2 FEET BY 10 FEET (CONTINENTAL) TYPE OR OTHER APPROVED BY THE TOWN OF PARKER.
SHALL LINE UP WITH HANDICAP RAMPS.
SHALL BE CENTERED WITHIN LANES AND PLACED ON LANE AND CURB LINES SO AS TO AVOID VEHICLE WHEEL PATHS.
16. ALL PAVEMENT MARKING MATERIAL (INCLUDING WORDS AND SYMBOLS) SHALL BE AS FOLLOWS:
FOR CONCRETE SURFACE:
LONG LINE MARKINGS (CHANNELIZATION LINES, SKIPS, ETC.) SHALL BE EPOXY PAINT. OTHER PAINT MAY BE USED FOR TEMPORARY APPLICATION ONLY WHEN APPROVED BY THE TOWN OF PARKER.
WORDS, SYMBOLS, AND CROSSWALKS/STOP BARS SHALL BE METHYL-MYTHACRALATE, PREFORMED THERMOPLASTIC (90 MIL), PREFORMED PLASTIC (90 MIL), INLAYED TAPE (STAMARK), OR AS SPECIFIED.
(SAND OR WATER BLAST CURING COMPOUND PRIOR TO INSTALLATION OF MARKINGS.)
FOR ASPHALT SURFACE:
LONG LINE MARKINGS (CHANNELIZATION LINES, SKIPS, ETC.) SHALL BE EPOXY PAINT. OTHER PAINT MAY BE USED FOR TEMPORARY APPLICATION ONLY WHEN APPROVED BY THE TOWN OF PARKER.
WORDS, SYMBOLS, AND CROSSWALKS/STOP BARS SHALL BE HOT APPLIED THERMOPLASTIC (90 MIL), PREFORMED PLASTIC (90 MIL), INLAYED TAPE (STAMARK), METHYL-MYTHACRALATE, OR AS SPECIFIED.
17. INSPECTION AND APPROVAL OF STRIPING AND CROSSWALK LAYOUT TO BE DONE BY TOWN OF PARKER DEVELOPMENT REVIEW ENGINEER (CALL 303-840-9546) PRIOR TO APPLICATION OF FINAL STRIPING.

Save: 6/7/2021 3:27 PM apopp Plot: 6/25/2021 9:07 AM X:\IC\IOW\NHOAC\156217\final-dgn\51-drawings\10-civil\cadd\glsh\sheet\Site Plans\CO_NHOAC\156217_General Notes.dwg

NEW HORIZON ACADEMY - DOUGLAS 234 FILING, NO. 6 PARKER, CO

This drawing is an instrument of service and shall remain the property of Short Elliott Hendrickson, Inc. (SEH). This drawing and the concepts and ideas contained herein shall not be used, reproduced, revised, or retained without the express written approval of SEH.

Submission or distribution of this drawing to meet official or regulatory requirements or for other purposes in connection with the project is not to be construed as publication in derogation of any of the rights of SEH.

SEH Project Checked By Drawn By NHOAC 156217 DRH AMP

Project Status Issue Date CONSTRUCTION SET 6/25/2021

Table with 3 columns: Rev. #, Description, Date

GENERAL NOTES

C0.1



Building a Better World for All of Us®



Owner
 New Horizon Academy
 3405 Annapolis Lane
 N., Suite 100
 Plymouth, MN 55447
 763.557.1111

Architect
 Short Elliott Hendrickson, Inc.
 2000 South Colorado Boulevard
 Tower One, Suite 6000
 Denver, Colorado 80222
 720.540.6800

Landscape Architect
 Short Elliott Hendrickson, Inc.
 10901 Red Circle Drive
 Suite 300
 Minnetonka, MN 55343
 952.912.2800

Civil Engineer
 Short Elliott Hendrickson, Inc.
 2000 South Colorado Boulevard
 Tower One, Suite 6000
 Denver, Colorado 80222
 720.540.6800

Structural Engineer
 Short Elliott Hendrickson, Inc.
 3535 Vadnais Center Drive
 St. Paul, MN 55110
 651.490.2000

Mechanical Engineer
 Short Elliott Hendrickson, Inc.
 3535 Vadnais Center Drive
 St. Paul, MN 55110
 651.490.2000

Electrical Engineer
 Short Elliott Hendrickson, Inc.
 3535 Vadnais Center Drive
 St. Paul, MN 55110
 651.490.2000

NEW HORIZON ACADEMY - DOUGLAS 234 FILING, NO. 6
 PARKER, CO

This drawing is an instrument of service and shall remain the property of Short Elliott Hendrickson, Inc. (SEH). This drawing and the concepts and ideas contained herein shall not be used, reproduced, revised, or retained without the express written approval of SEH.

Substitution or distribution of this drawing to most officials or regulatory requirements or for other purposes in connection with the project is not to be construed as modification to the original scope of the rights of SEH.

COPYRIGHT © 2021
 Short Elliott Hendrickson, Inc.
 All Rights Reserved

SEH Project: NHOC 156217
 Checked By: DRH
 Drawn By: AMP

Project Status: CONSTRUCTION SET
 Issue Date: 6/25/21

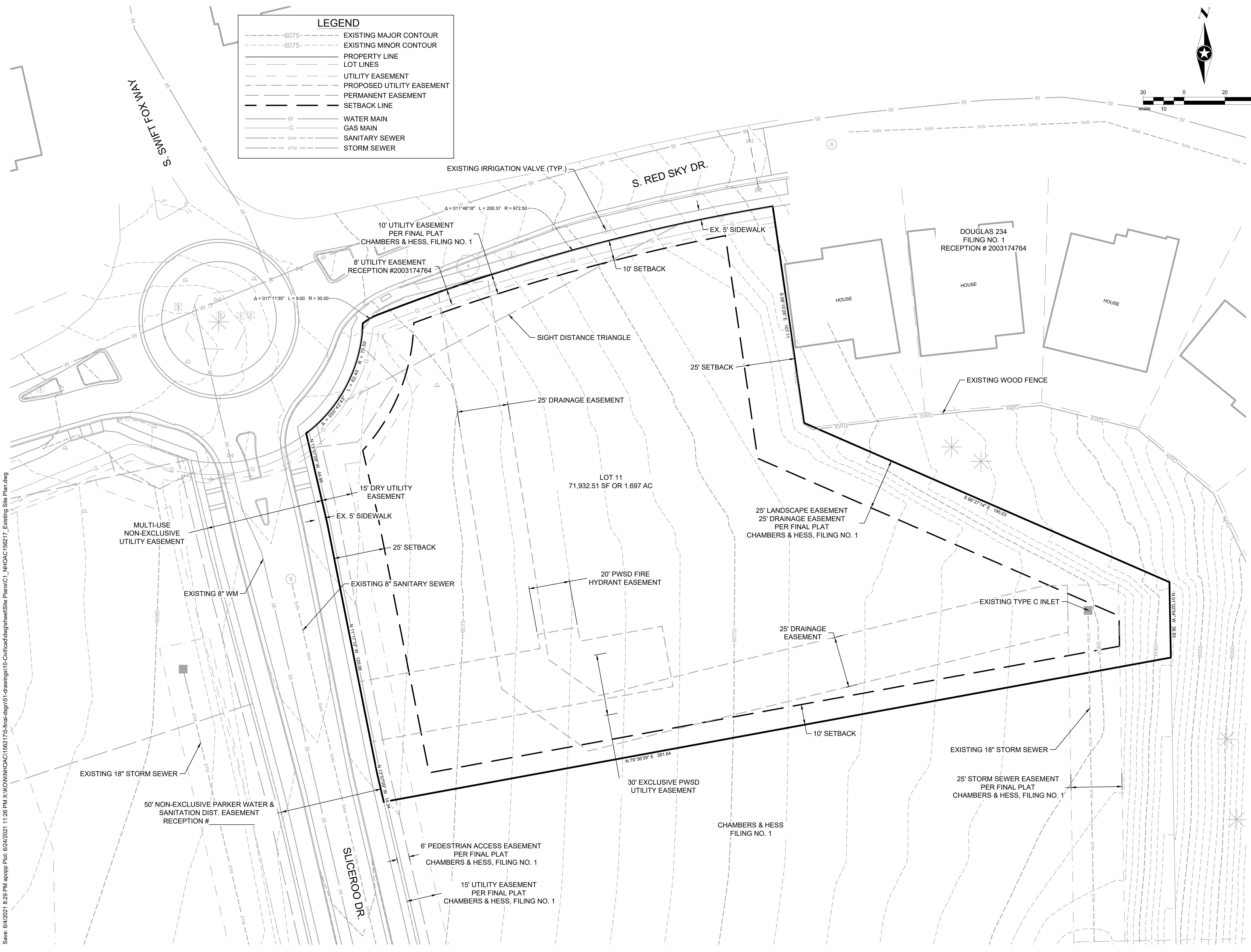
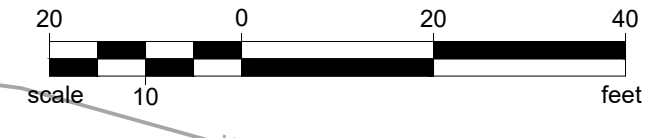
Revision Issue		
Rev. #	Description	Date

EXISTING CONDITIONS

C1.0

LEGEND

- - - - -6075- - - - - EXISTING MAJOR CONTOUR
- - - - -6075- - - - - EXISTING MINOR CONTOUR
- PROPERTY LINE
- LOT LINES
- - - - - UTILITY EASEMENT
- - - - - PROPOSED UTILITY EASEMENT
- - - - - PERMANENT EASEMENT
- SETBACK LINE
- W ——— WATER MAIN
- G ——— GAS MAIN
- SAN ——— SANITARY SEWER
- STM ——— STORM SEWER



Save: 6/4/2021 8:29 PM apopp Plot: 6/24/2021 11:26 PM X:\KON\NHOC\1562175-final-dsgn\51-drawings\10-Civil\cd\dwg\sheet\Site Plans\C1_NHOC\156217_Existing Site Plan.dwg



Building a Better World for All of Us®



Owner
New Horizon Academy
3405 Annapolis Lane
N., Suite 100
Flynnville, MN 55447
763.557.1111

Architect
Short Elliott Hendrickson, Inc.
2000 South Colorado Boulevard
Tower One, Suite 6000
Denver, Colorado 80222
720.540.6800

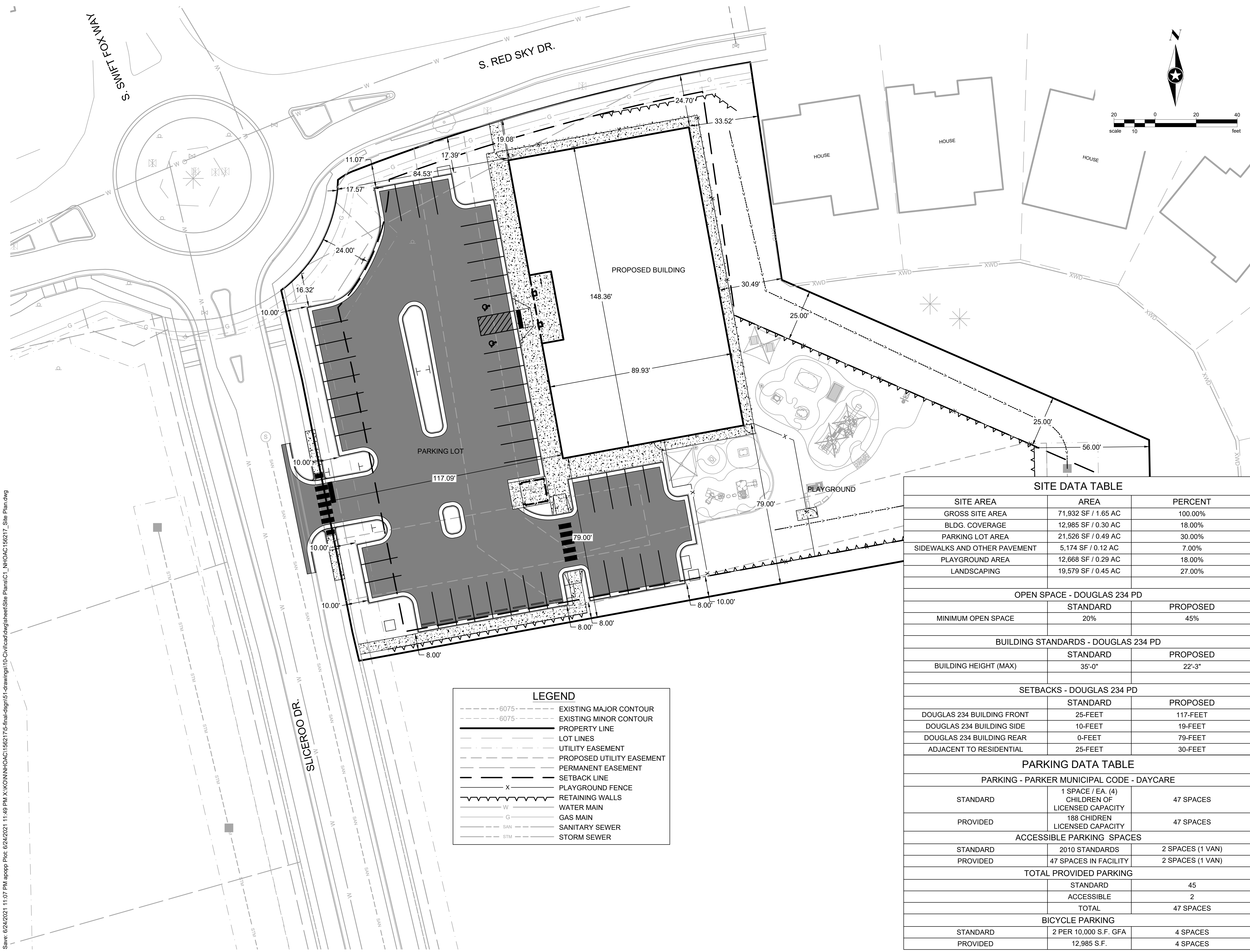
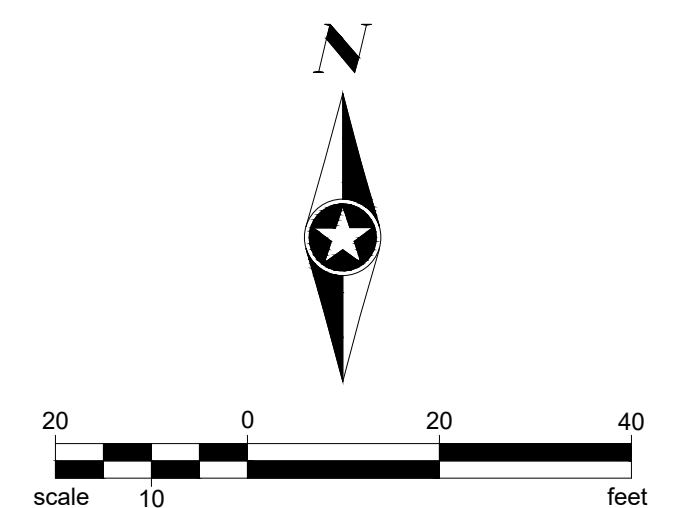
Landscape Architect
Short Elliott Hendrickson, Inc.
10901 Red Circle Drive
Suite 300
Minnetonka, MN 55343
952.912.2800

Civil Engineer
Short Elliott Hendrickson, Inc.
2000 South Colorado Boulevard
Tower One, Suite 6000
Denver, Colorado 80222
720.540.6800

Structural Engineer
Short Elliott Hendrickson, Inc.
3535 Vadnais Center Drive
St. Paul, MN 55110
651.490.2000

Mechanical Engineer
Short Elliott Hendrickson, Inc.
3535 Vadnais Center Drive
St. Paul, MN 55110
651.490.2000

Electrical Engineer
Short Elliott Hendrickson, Inc.
3535 Vadnais Center Drive
St. Paul, MN 55110
651.490.2000



LEGEND

- - - - -6075- - - - - EXISTING MAJOR CONTOUR
- - - - -6075- - - - - EXISTING MINOR CONTOUR
- PROPERTY LINE
- LOT LINES
- UTILITY EASEMENT
- - - - - PROPOSED UTILITY EASEMENT
- PERMANENT EASEMENT
- SETBACK LINE
- x ——— PLAYGROUND FENCE
- ~~~~~ RETAINING WALLS
- W ——— WATER MAIN
- G ——— GAS MAIN
- SAN ——— SANITARY SEWER
- STM ——— STORM SEWER

SITE DATA TABLE

SITE AREA	AREA	PERCENT
GROSS SITE AREA	71,932 SF / 1.65 AC	100.00%
BLDG. COVERAGE	12,985 SF / 0.30 AC	18.00%
PARKING LOT AREA	21,526 SF / 0.49 AC	30.00%
SIDEWALKS AND OTHER PAVEMENT	5,174 SF / 0.12 AC	7.00%
PLAYGROUND AREA	12,668 SF / 0.29 AC	18.00%
LANDSCAPING	19,579 SF / 0.45 AC	27.00%

OPEN SPACE - DOUGLAS 234 PD

	STANDARD	PROPOSED
MINIMUM OPEN SPACE	20%	45%

BUILDING STANDARDS - DOUGLAS 234 PD

	STANDARD	PROPOSED
BUILDING HEIGHT (MAX)	35'-0"	22'-3"

SETBACKS - DOUGLAS 234 PD

	STANDARD	PROPOSED
DOUGLAS 234 BUILDING FRONT	25-FEET	117-FEET
DOUGLAS 234 BUILDING SIDE	10-FEET	19-FEET
DOUGLAS 234 BUILDING REAR	0-FEET	79-FEET
ADJACENT TO RESIDENTIAL	25-FEET	30-FEET

PARKING DATA TABLE

PARKING - PARKER MUNICIPAL CODE - DAYCARE

	STANDARD	PROVIDED
1 SPACE / EA. (4) CHILDREN OF LICENSED CAPACITY	47 SPACES	47 SPACES
188 CHILDREN LICENSED CAPACITY	47 SPACES	47 SPACES

ACCESSIBLE PARKING SPACES

	STANDARD	PROVIDED
2010 STANDARDS	2 SPACES (1 VAN)	2 SPACES (1 VAN)
47 SPACES IN FACILITY	2 SPACES (1 VAN)	2 SPACES (1 VAN)

TOTAL PROVIDED PARKING

	STANDARD	PROVIDED
TOTAL	45	47 SPACES

BICYCLE PARKING

	STANDARD	PROVIDED
2 PER 10,000 S.F. G.F.A	4 SPACES	4 SPACES
12,985 S.F.	4 SPACES	4 SPACES

NEW HORIZON ACADEMY - DOUGLAS 234 FILING, NO. 6
PARKER, CO

This drawing is an instrument of service and shall remain the property of Short Elliott Hendrickson, Inc. (SEH). This drawing and the concepts and ideas contained herein shall not be used, reproduced, revised, or retained without the express written approval of SEH.

Substitution or distribution of this drawing to most officials or regulatory requirements or for other purposes in connection with the project is not to be construed as modification to the original or any of the rights of SEH.

SEH Project NHOAC 156217
Checked By DRH
Drawn By AMP

Project Status CONSTRUCTION SET
Issue Date 6/25/2021

Revision Issue

Rev. #	Description	Date

C1.1

Save: 6/24/2021 11:07 PM apopp Plot: 6/24/2021 11:49 PM X:\KON\NHOAC\156217\5-final-dsgn\5-drawings\10-Civil\cad\dwg\sheet\Site Plans\C1_NHOAC156217_Site Plan.dwg



Owner
New Horizon Academy
3405 Annapolis Lane
N., Suite 100
Plymouth, MN 55447
763.557.1111

Architect
Short Elliott Hendrickson, Inc.
2000 South Colorado Boulevard
Tower One, Suite 6000
Denver, Colorado 80222
720.540.6800

Landscape Architect
Short Elliott Hendrickson, Inc.
19501 Red Circle Drive
Suite 300
Minnetonka, MN 55343
952.912.2600

Civil Engineer
Short Elliott Hendrickson, Inc.
2000 South Colorado Boulevard
Tower One, Suite 6000
Denver, Colorado 80222
720.540.6800

Structural Engineer
Short Elliott Hendrickson, Inc.
3535 Vadnais Center Drive
St. Paul, MN 55110
651.490.2000

Mechanical Engineer
Short Elliott Hendrickson, Inc.
3535 Vadnais Center Drive
St. Paul, MN 55110
651.490.2000

Electrical Engineer
Short Elliott Hendrickson, Inc.
3535 Vadnais Center Drive
St. Paul, MN 55110
651.490.2000

**NEW HORIZON ACADEMY -
DOUGLAS 234 FILING, NO. 6**
PARKER, CO

This drawing is an instrument of service and shall remain the property of Short Elliott Hendrickson, Inc. (SEH). This drawing and the concepts and ideas contained herein shall not be used, reproduced, revised, or retained without the express written approval of SEH.

Submission or distribution of this drawing to meet official or regulatory requirements or for other purposes in connection with the project is not to be construed as publication in derogation of any of the rights of SEH.

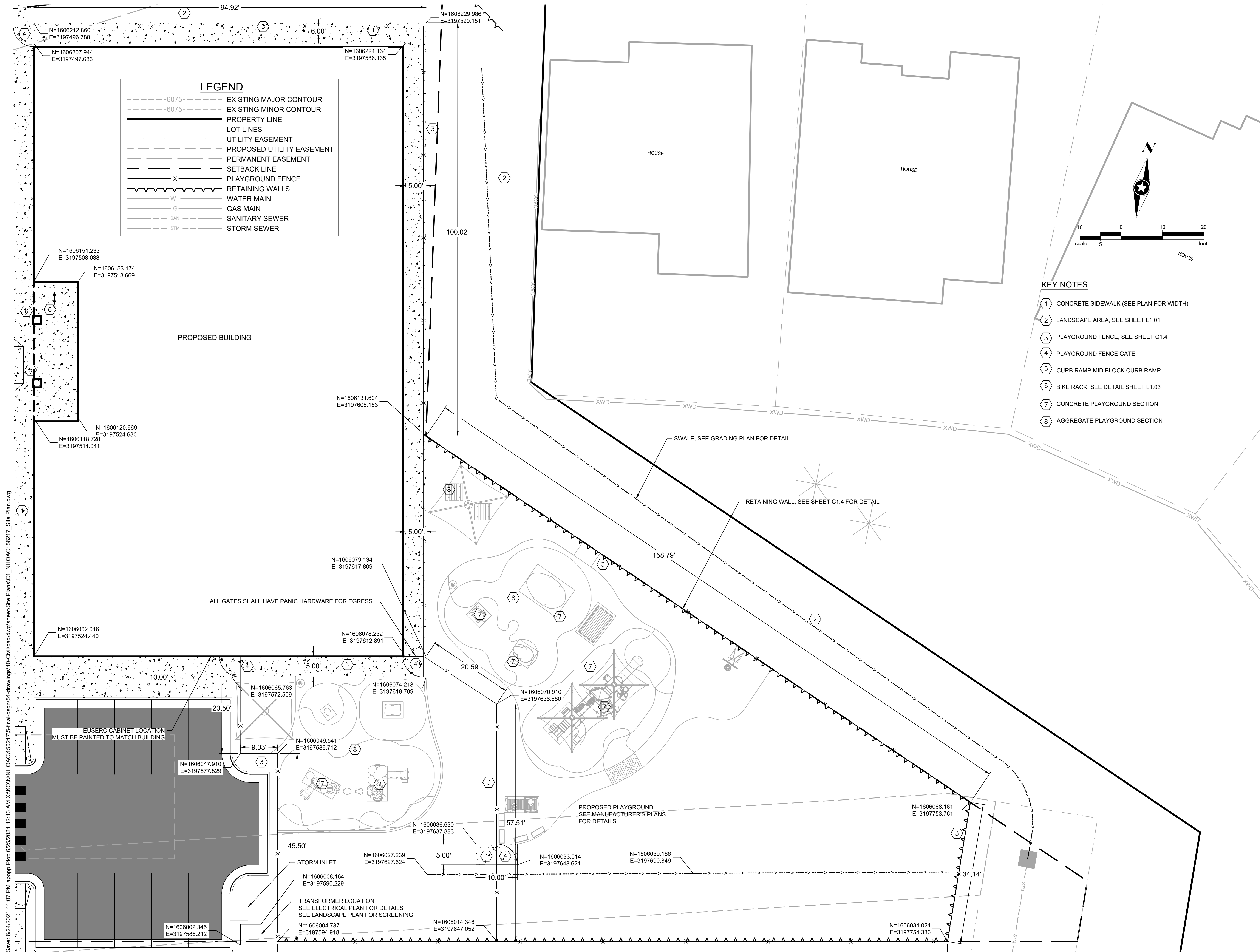
SEH Project NHOAC 156217
Checked By DRH
Drawn By AMP

Project Status CONSTRUCTION SET
Issue Date 6/25/2021

Revision Issue

Rev. #	Description	Date
--------	-------------	------

BUILDING SITE LAYOUT



KEY NOTES

- 1 CONCRETE SIDEWALK (SEE PLAN FOR WIDTH)
- 2 LANDSCAPE AREA, SEE LANDSCAPE SHEET L1.01
- 3 PLAYGROUND FENCE
- 4 PLAYGROUND FENCE GATE
- 5 CURB RAMP MID BLOCK CURB RAMP
- 6 BIKE RACK, SEE LANDSCAPE SHEET L1.03
- 7 ASPHALT PARKING LOT
- 8 CONCRETE DUMPSTER PAD,
- 9 DUMPSTER ENCLOSURE FENCE, SEE SHEET A2.1
- 10 DUMPSTER ENCLOSURE FENCE GATE
- 11 VERTICAL CURB AND GUTTER SECTION (CATCH)
- 12 VERTICAL CURB AND GUTTER SECTION (SPILL)
- 13 DIRECTIONAL CURB RAMP WITHIN RADIUS
- 14 PEDESTRIAN CURB RAMP FOR SIDEWALK OR TRAIL

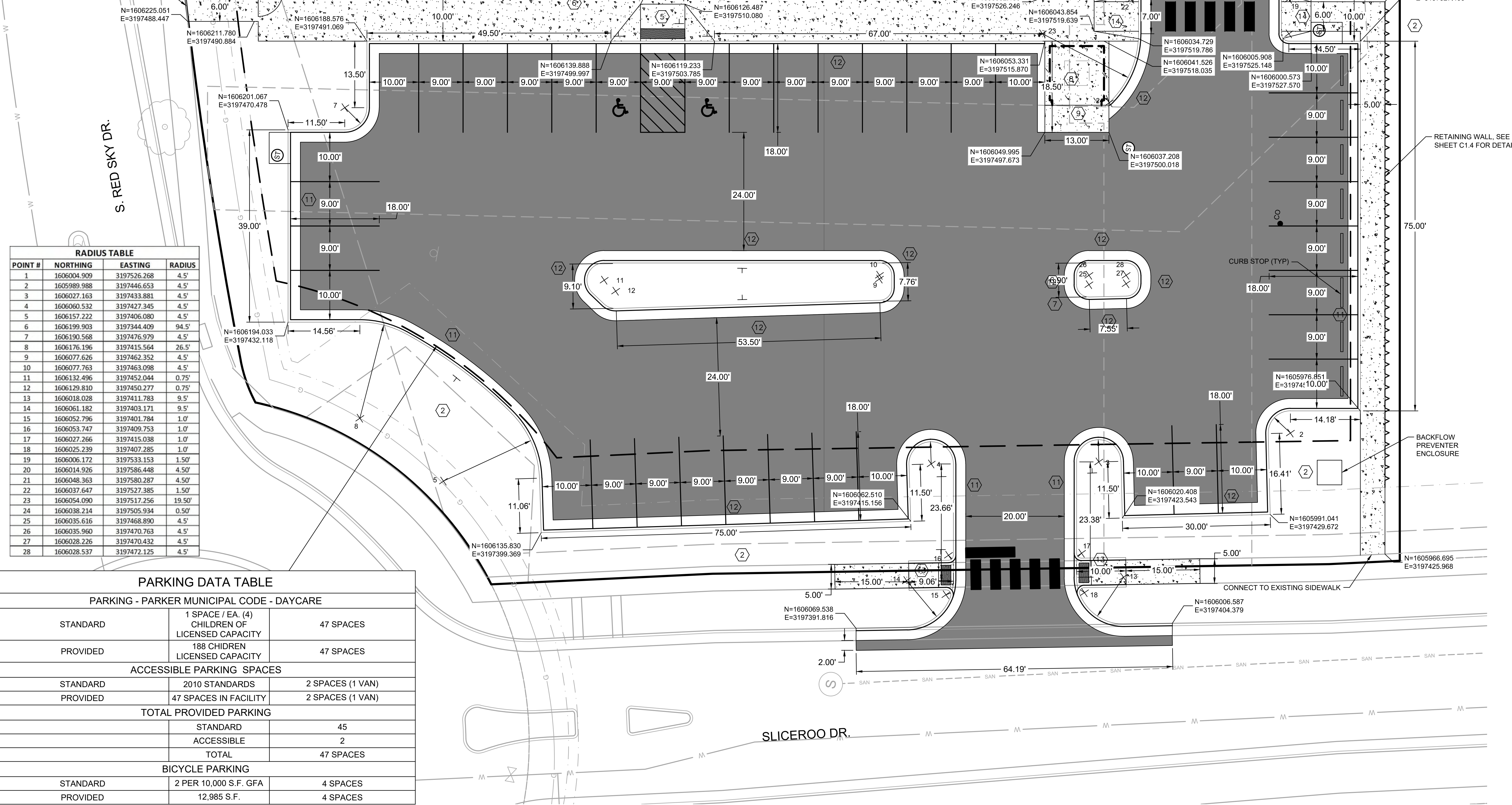
NOTE: CURB AND GUTTER AND FIRST LIFT OF ASPHALT MUST BE INSTALLED PRIOR TO ANY VERTICAL CONSTRUCTION OCCURRING BY ORDER OF THE FIRE MARSHALL.

LEGEND

---	-6075-	EXISTING MAJOR CONTOUR
---	-6075-	EXISTING MINOR CONTOUR
---	---	PROPERTY LINE
---	---	LOT LINES
---	---	UTILITY EASEMENT
---	---	PROPOSED UTILITY EASEMENT
---	---	PERMANENT EASEMENT
---	---	SETBACK LINE
X	X	PLAYGROUND FENCE
---	---	RETAINING WALLS
W	W	WATER MAIN
G	G	GAS MAIN
SAN	SAN	SANITARY SEWER
STM	STM	STORM SEWER

PROPOSED BUILDING

CONNECT TO EXISTING SIDEWALK



RADIUS TABLE

POINT #	NORTHING	EASTING	RADIUS
1	1606004.909	3197526.268	4.5'
2	1605989.988	3197446.653	4.5'
3	1606027.163	3197433.881	4.5'
4	1606060.532	3197427.345	4.5'
5	1606157.222	3197406.080	4.5'
6	1606199.903	3197344.409	94.5'
7	1606190.568	3197476.979	4.5'
8	1606176.196	3197415.564	26.5'
9	1606077.626	3197462.352	4.5'
10	1606077.763	3197463.098	4.5'
11	1606132.496	3197452.044	0.75'
12	1606129.810	3197450.277	0.75'
13	1606018.028	3197411.783	9.5'
14	1606061.182	3197403.171	9.5'
15	1606052.796	3197401.784	1.0'
16	1606053.747	3197409.753	1.0'
17	1606027.266	3197415.038	1.0'
18	1606025.239	3197407.285	1.0'
19	1606006.172	3197533.153	1.50'
20	1606014.926	3197586.448	4.50'
21	1606048.363	3197580.287	4.50'
22	1606037.647	3197527.385	1.50'
23	1606054.090	3197517.256	19.50'
24	1606038.214	3197505.934	0.50'
25	1606035.616	3197468.890	4.5'
26	1606035.960	3197470.763	4.5'
27	1606028.226	3197470.432	4.5'
28	1606028.537	3197472.125	4.5'

PARKING DATA TABLE

PARKING - PARKER MUNICIPAL CODE - DAYCARE		
STANDARD	1 SPACE / EA. (4) CHILDREN OF LICENSED CAPACITY	47 SPACES
PROVIDED	188 CHIDREN LICENSED CAPACITY	47 SPACES
ACCESSIBLE PARKING SPACES		
STANDARD	2010 STANDARDS	2 SPACES (1 VAN)
PROVIDED	47 SPACES IN FACILITY	2 SPACES (1 VAN)
TOTAL PROVIDED PARKING		
	STANDARD	45
	ACCESSIBLE	2
	TOTAL	47 SPACES
BICYCLE PARKING		
STANDARD	2 PER 10,000 S.F. GFA	4 SPACES
PROVIDED	12,985 S.F.	4 SPACES



Owner
New Horizon Academy
3405 Annapolis Lane
N, Suite 100
Plymouth, MN 55447
763.557.1111

Architect
Short Elliott Hendrickson, Inc.
2000 South Colorado Boulevard
Tower One, Suite 6000
Denver, Colorado 80222
720.540.6800

Landscape Architect
Short Elliott Hendrickson, Inc.
10901 Red Circle Drive
Suite 300
Minnetonka, MN 55343
952.912.2600

Civil Engineer
Short Elliott Hendrickson, Inc.
2000 South Colorado Boulevard
Tower One, Suite 6000
Denver, Colorado 80222
720.540.6800

Structural Engineer
Short Elliott Hendrickson, Inc.
3535 Vadnais Center Drive
St. Paul, MN 55110
651.490.2000

Mechanical Engineer
Short Elliott Hendrickson, Inc.
3535 Vadnais Center Drive
St. Paul, MN 55110
651.490.2000

Electrical Engineer
Short Elliott Hendrickson, Inc.
3535 Vadnais Center Drive
St. Paul, MN 55110
651.490.2000

NEW HORIZON ACADEMY - DOUGLAS 234 FILING, NO. 6
PARKER, CO

This drawing is an instrument of service and shall remain the property of Short Elliott Hendrickson, Inc. (SEH). This drawing and the concepts and ideas contained herein shall not be used, reproduced, revised, or retained without the express written approval of SEH.

Substitution or distribution of this drawing to meet official or regulatory requirements or for other purposes in connection with the project is not to be construed as publication in derogation of any of the rights of SEH.

SEH Project Checked By Drawn By

NHOC 156217 DRH AMP

Project Status: CONSTRUCTION SET
Issue Date: 6/25/2021

Revision Issue

Rev. #	Description	Date

SEH Project Checked By Drawn By

NHOC 156217 DRH AMP

Project Status: CONSTRUCTION SET
Issue Date: 6/25/2021

Revision Issue

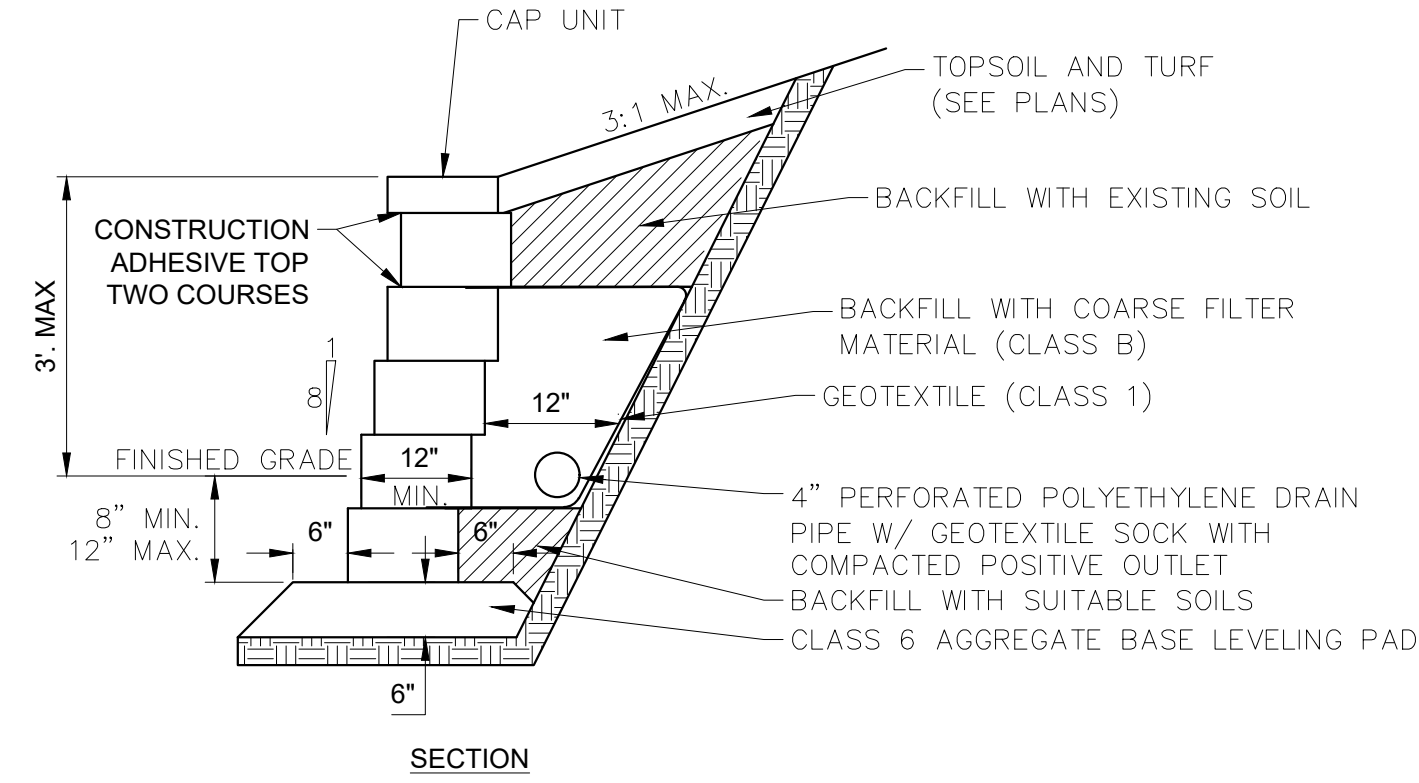
Rev. #	Description	Date

PARKING LOT SITE LAYOUT

C1.3

NOTES:

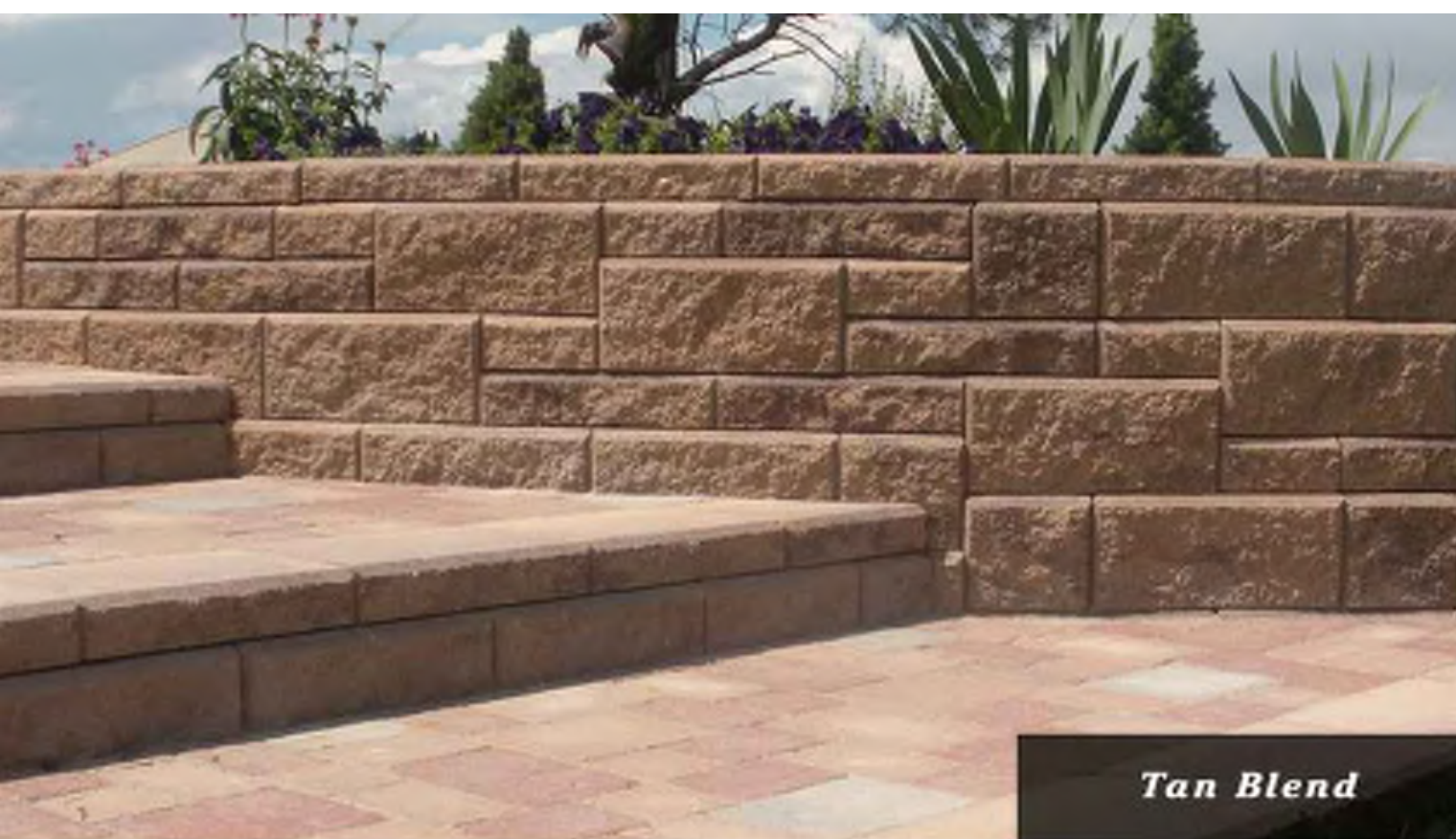
1. MAXIMUM EXPOSED HEIGHT NOT TO EXCEED 3 FEET. A SPECIFIC ENGINEERED DESIGN IS REQUIRED FOR WALLS WITH AN EXPOSED HEIGHT OVER 3 FEET.
2. FILL ALL VOID AREAS IN MODULAR BLOCK UNITS WITH COARSE FILTER MATERIAL (CLASS B) OR PEA GRAVEL AS APPROVED BY ENGINEER.
3. MODULAR BLOCK UNITS MUST HAVE INTERLOCKING LIP OR PIN CONNECTIONS.
4. RETAINING WALL LOCATION SHOWN ON PLANS.
5. CONTRACTOR TO PROVIDE SHOP DRAWINGS FOR PROPOSED MODULAR BLOCK UNITS.
6. OUTLET DRAIN PIPE TO A STORM SEWER CATCH BASIN OR MANHOLE OR THROUGH FACE OF WALL.
7. RETAINING WALL BLOCK TO BE SPLIT FACE AND MATCH BUILDING COLOR PALETTE.
8. BASIS OF DESIGN IS ALLEN BLOCK CLASSIC IN TAN BLEND.



NTS

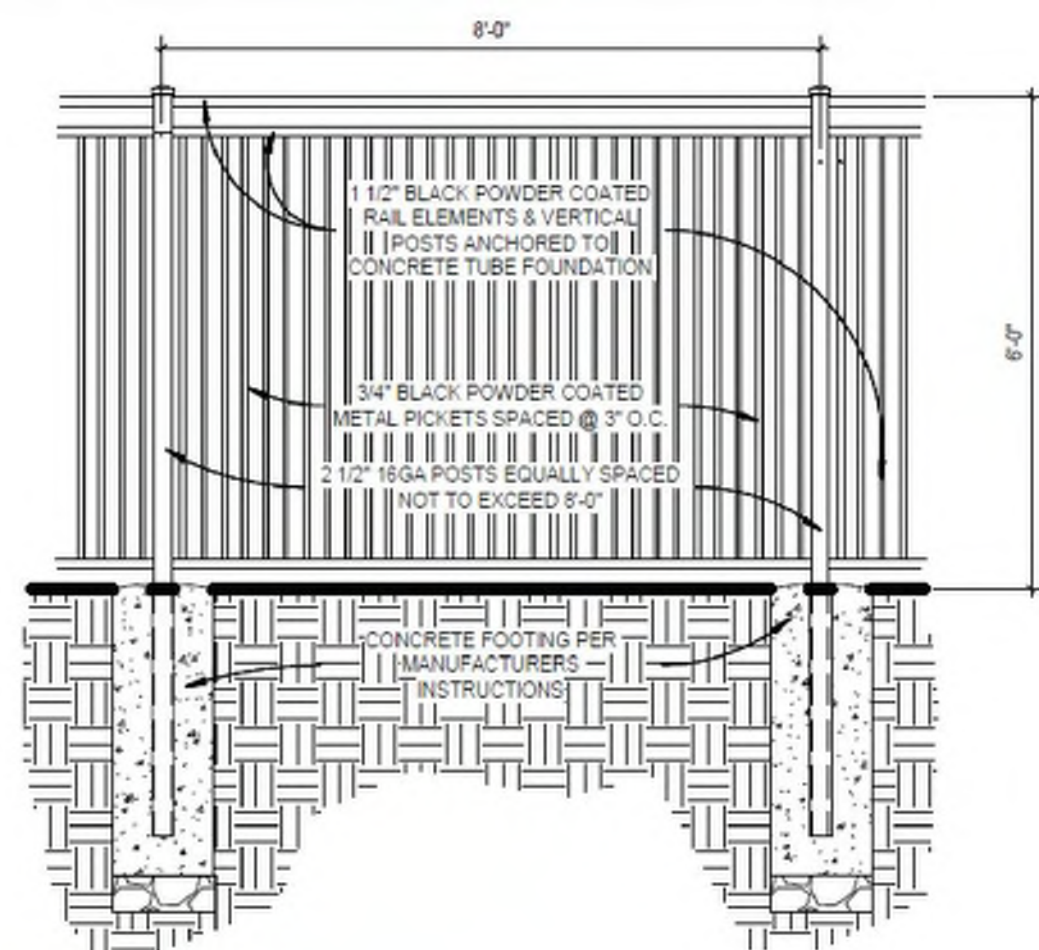
Revised:
Oct. 2011
SEH Plate No.
MISC-02

**RETAINING WALL DETAIL
GRAVITY WALL**



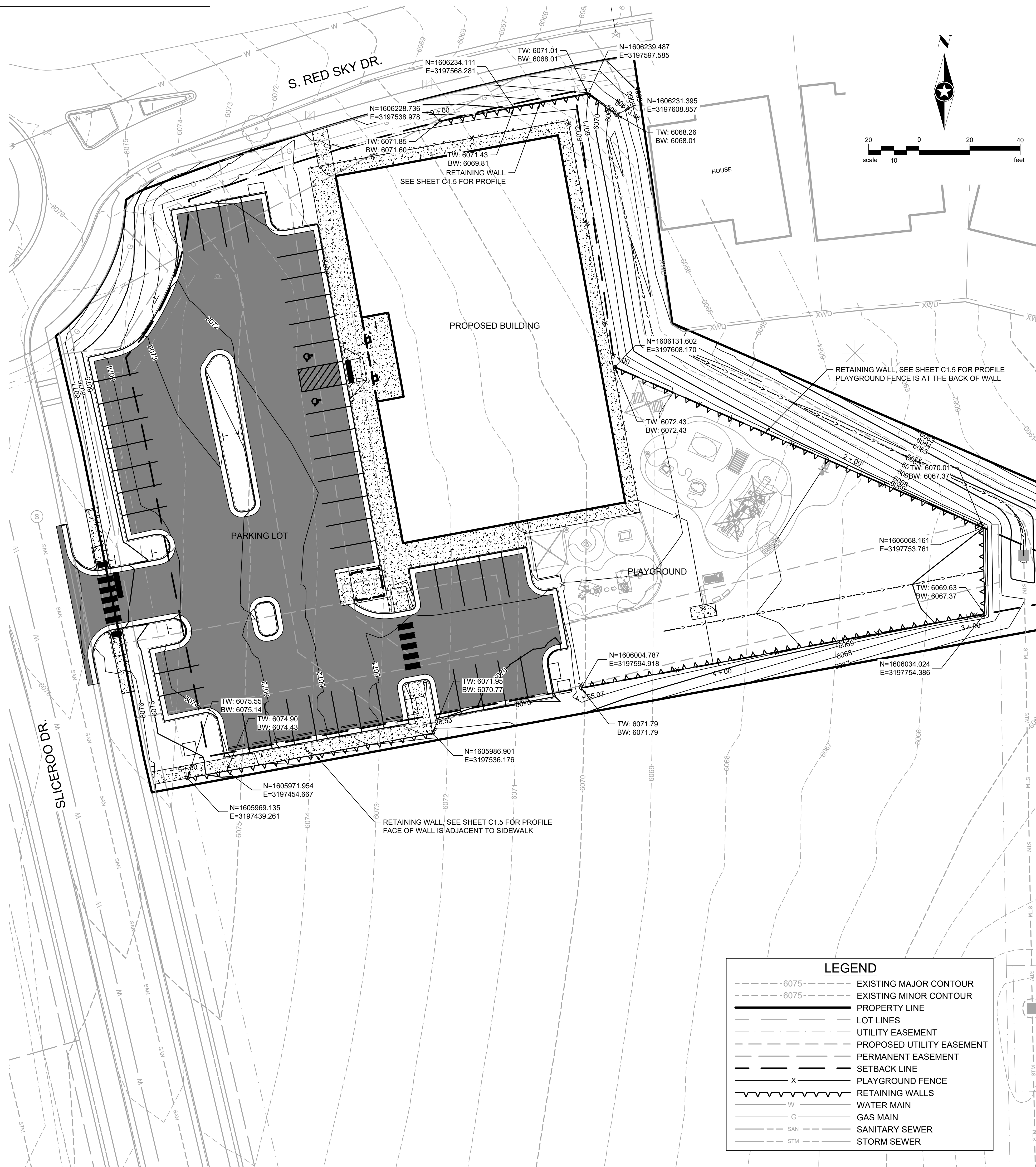
Tan Blend

APPROXIMATE FINAL APPEARANCE OF WALL BLOCK.



PLAYGROUND FENCE DETAIL

1/2" = 1'-0"



LEGEND

- - - - -6075-	EXISTING MAJOR CONTOUR
- - - - -6075-	EXISTING MINOR CONTOUR
—————	PROPERTY LINE
—————	LOT LINES
—————	UTILITY EASEMENT
—————	PROPOSED UTILITY EASEMENT
—————	PERMANENT EASEMENT
—————	SETBACK LINE
— x —	PLAYGROUND FENCE
— / — / — /	RETAINING WALLS
— W —	WATER MAIN
— G —	GAS MAIN
— SAN —	SANITARY SEWER
— STM —	STORM SEWER

Owner
New Horizon Academy
3405 Annapolis Lane
N., Suite 100
Plymouth, MN 55447
763.557.1111

Architect
Short Elliott Hendrickson, Inc.
2000 South Colorado Boulevard
Tower One, Suite 6000
Denver, Colorado 80222
720.540.6800

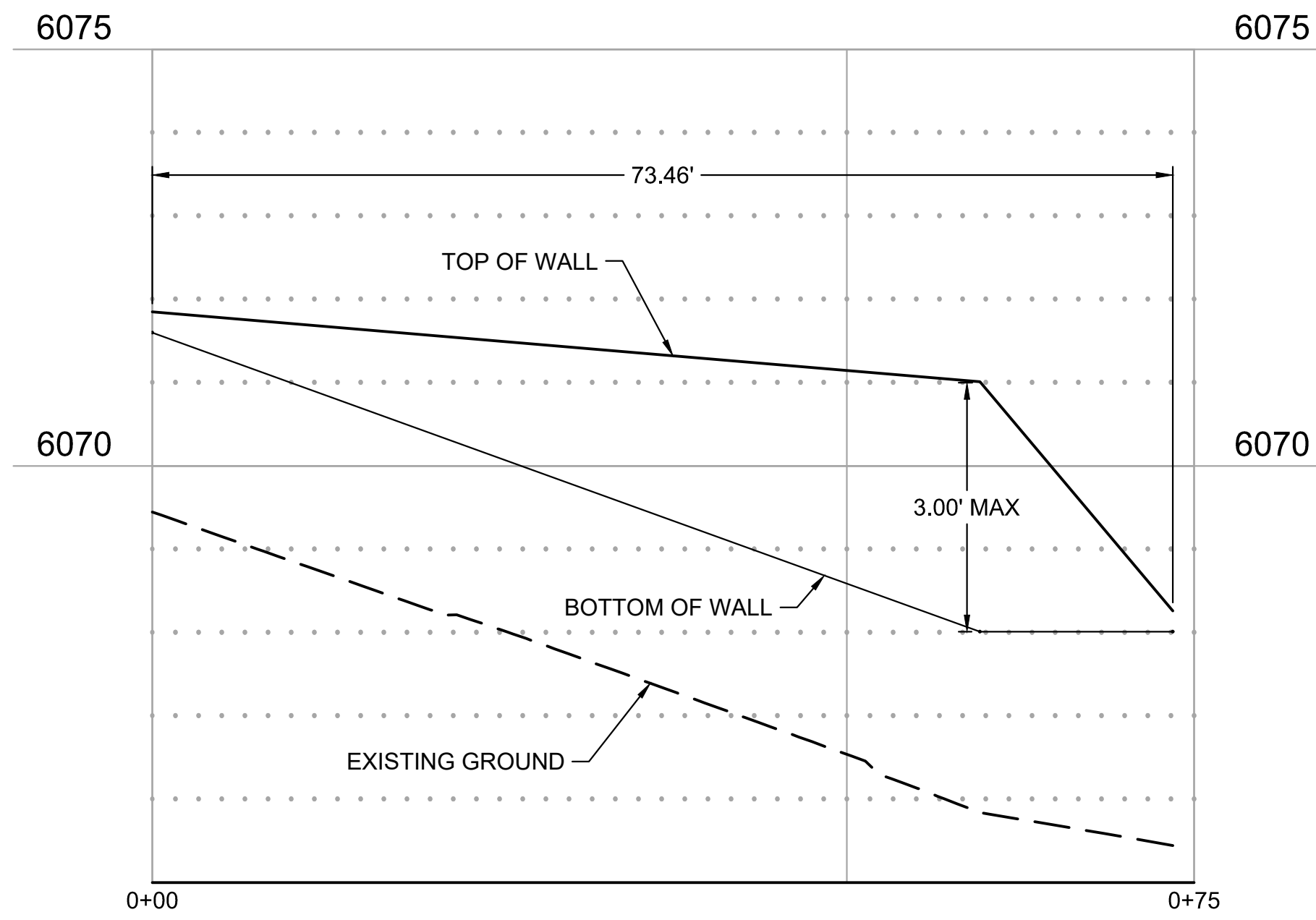
Landscape Architect
Short Elliott Hendrickson, Inc.
10901 Red Circle Drive
Suite 300
Minnetonka, MN 55343
952.912.2800

Civil Engineer
Short Elliott Hendrickson, Inc.
2000 South Colorado Boulevard
Tower One, Suite 6000
Denver, Colorado 80222
720.540.6800

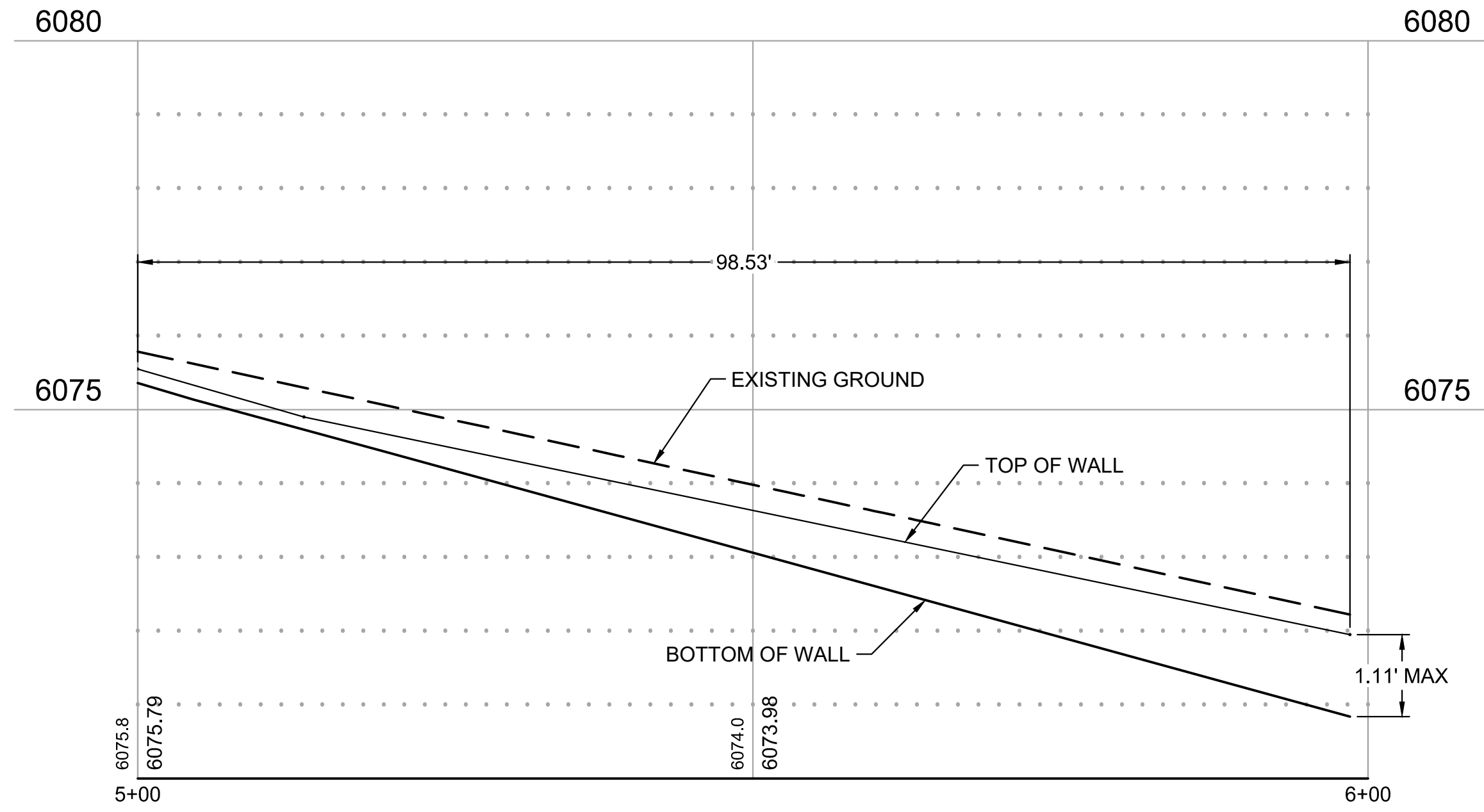
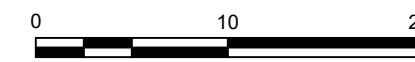
Structural Engineer
Short Elliott Hendrickson, Inc.
3535 Vadnais Center Drive
St. Paul, MN 55110
651.490.2000

Mechanical Engineer
Short Elliott Hendrickson, Inc.
3535 Vadnais Center Drive
St. Paul, MN 55110
651.490.2000

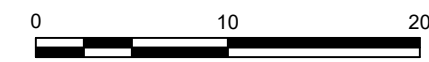
Electrical Engineer
Short Elliott Hendrickson, Inc.
3535 Vadnais Center Drive
St. Paul, MN 55110
651.490.2000



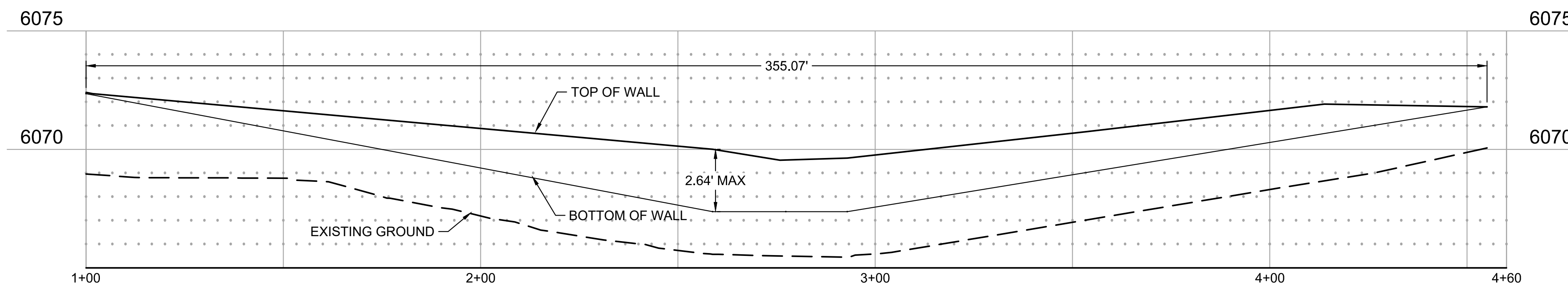
RETAINING WALL PROFILE
WALL ALONG NORTH SIDE OF BUILDING



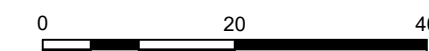
RETAINING WALL PROFILE
WALL ALONG SOUTH SIDE OF PARKING LOT



NOTE:
RETAINING WALL PROFILES ARE SHOWN FOR
REFERENCE ONLY. ELEVATIONS SHOULD BE
DETERMINED FROM PLAN SHEETS.



RETAINING WALL PROFILE
WALL ALONG PLAYGROUND FENCE



TYPICAL ELEVATION OF RETAINING
WALL WITH PLAYGROUND FENCE



Owner
New Horizon Academy
3405 Annapolis Lane
N., Suite 100
Plymouth, MN 55447
763.557.1111

Architect
Short Elliott Hendrickson, Inc.
2000 South Colorado Boulevard
Tower One, Suite 6000
Denver, Colorado 80222
720.540.6800

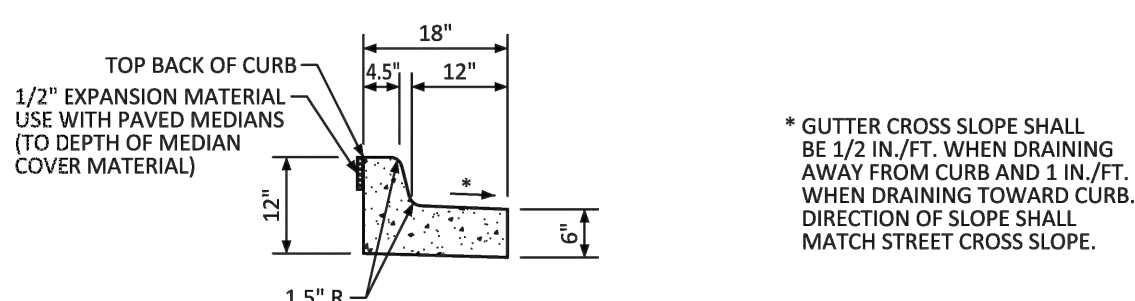
Landscape Architect
Short Elliott Hendrickson, Inc.
10901 Red Circle Drive
Suite 300
Minnetonka, MN 55343
952.912.2600

Civil Engineer
Short Elliott Hendrickson, Inc.
2000 South Colorado Boulevard
Tower One, Suite 6000
Denver, Colorado 80222
720.540.6800

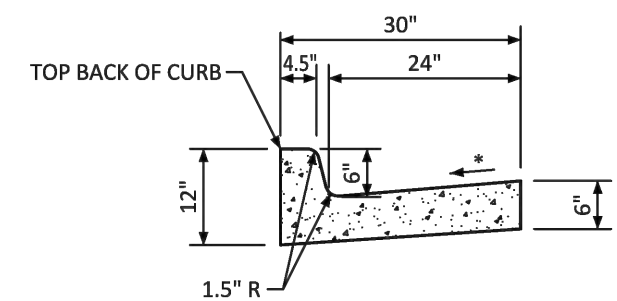
Structural Engineer
Short Elliott Hendrickson, Inc.
3535 Vadnais Center Drive
St. Paul, MN 55110
651.490.2000

Mechanical Engineer
Short Elliott Hendrickson, Inc.
3535 Vadnais Center Drive
St. Paul, MN 55110
651.490.2000

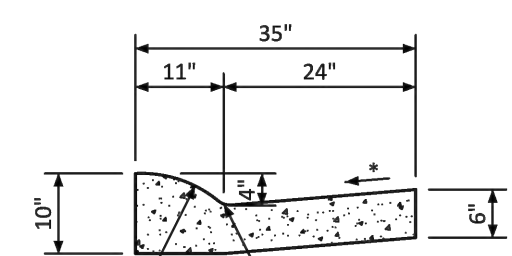
Electrical Engineer
Short Elliott Hendrickson, Inc.
3535 Vadnais Center Drive
St. Paul, MN 55110
651.490.2000



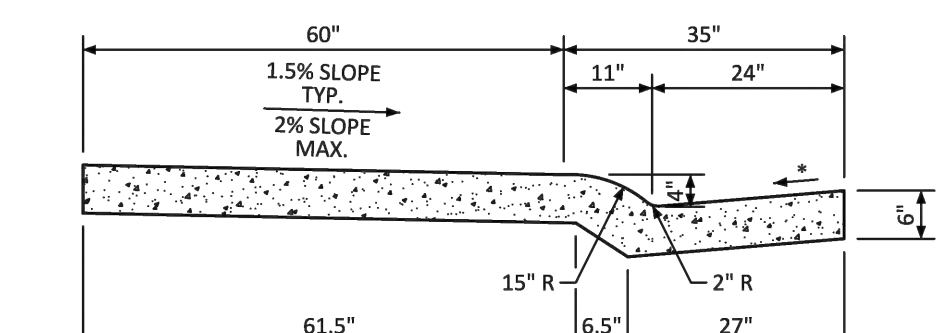
MEDIAN CURB AND GUTTER SECTION
(CDOT CURB AND GUTTER TYPE 2 (SECTION I-B))



VERTICAL CURB AND GUTTER SECTION
(CDOT CURB AND GUTTER TYPE 2 (SECTION II-B))

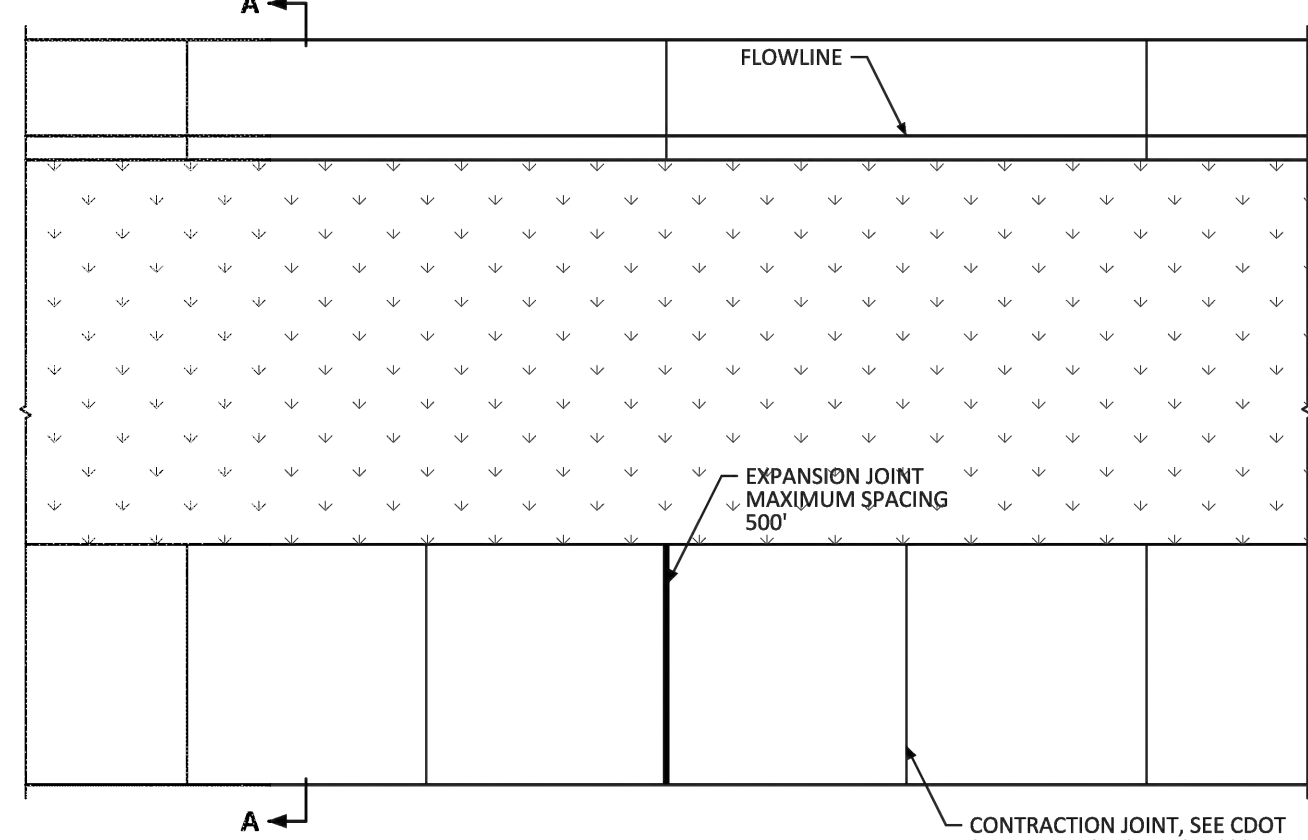


MOUNTABLE CURB AND GUTTER SECTION

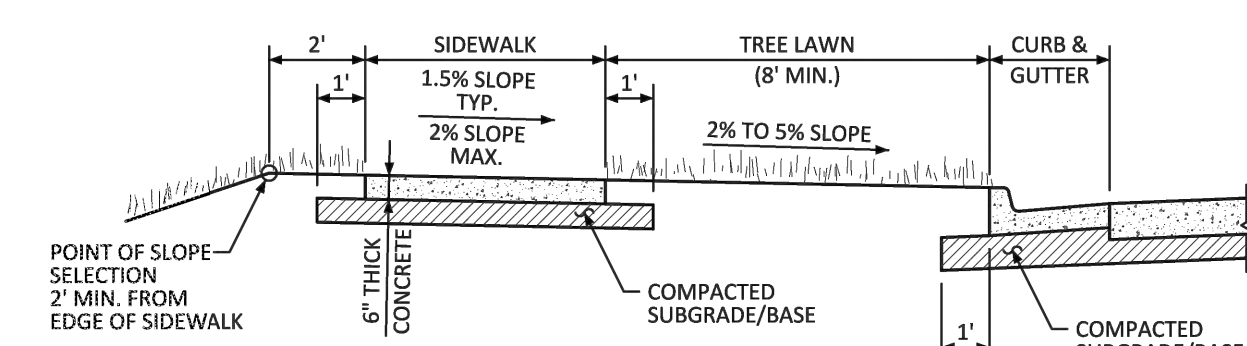


MONOLITHIC COMBINATION CURB, GUTTER AND SIDEWALK SECTION

* GUTTER CROSS SLOPE SHALL BE 1/2 IN./FT. WHEN DRAINING AWAY FROM CURB AND 1 IN./FT. WHEN DRAINING TOWARD CURB. DIRECTION OF SLOPE SHALL MATCH STREET CROSS SLOPE.



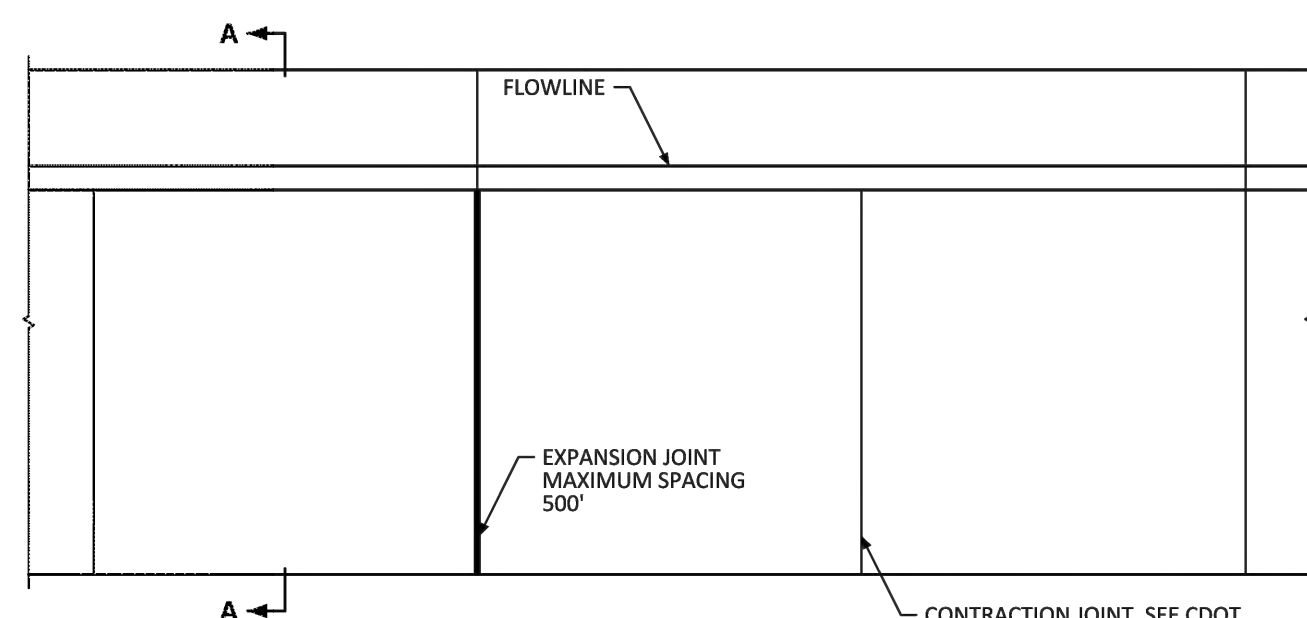
JOINT SPACING



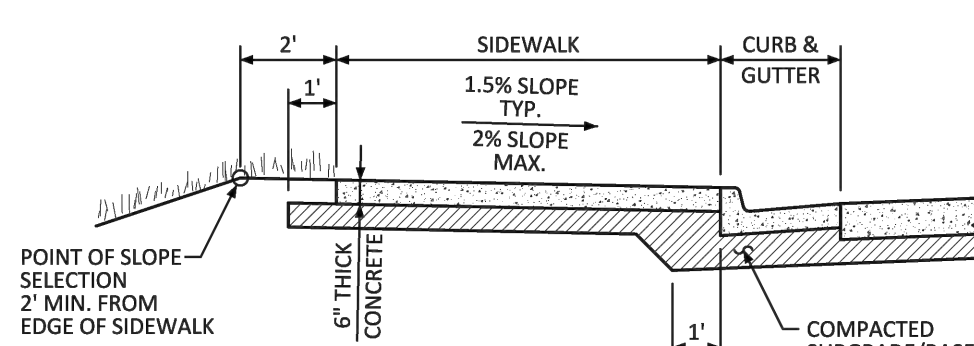
SECTION A-A

GENERAL NOTES

1. CONTRACTION JOINTS ON CONCRETE TRAILS SHALL BE SAWCUT.



JOINT SPACING

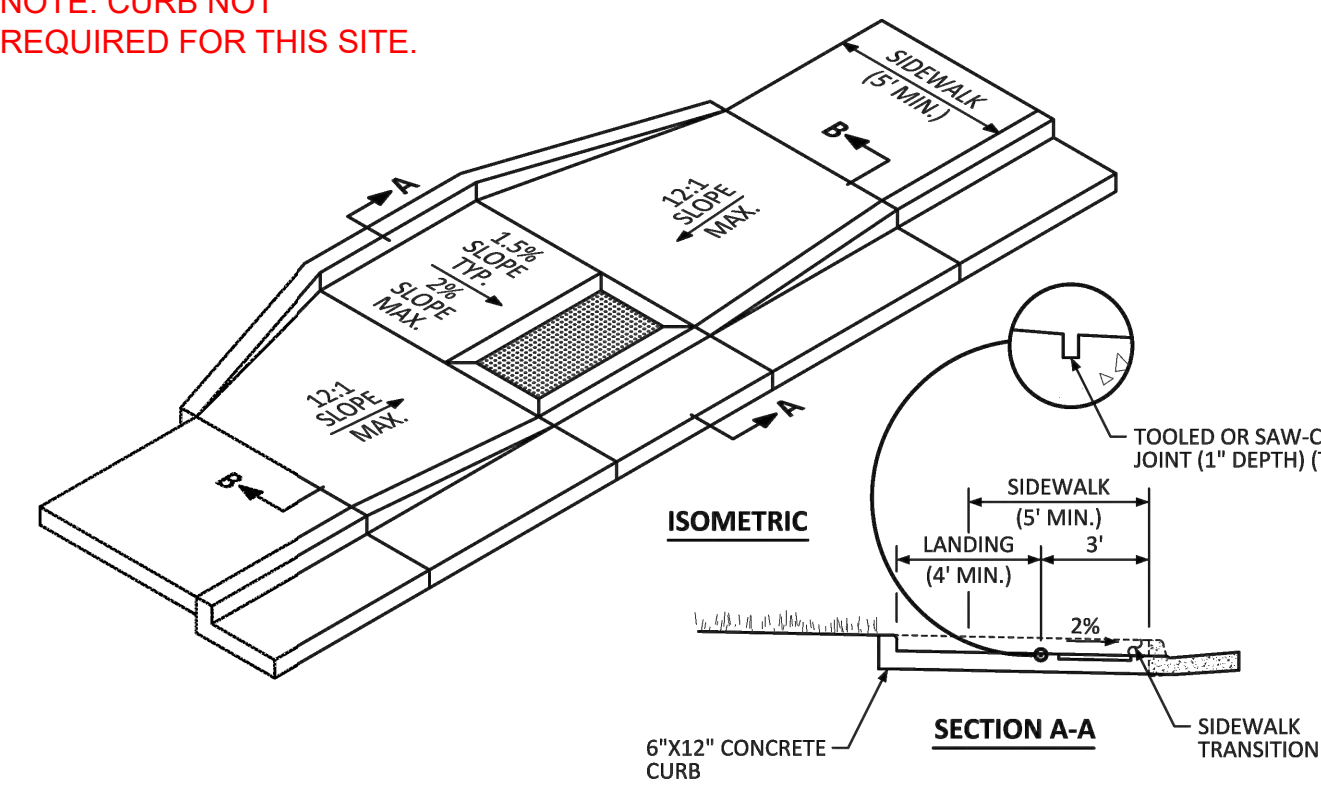


SECTION A-A

GENERAL NOTES

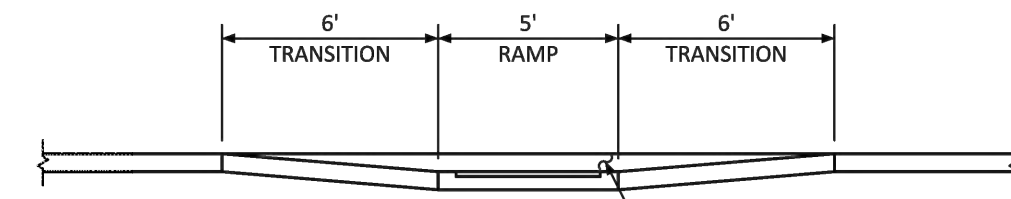
1. CONTRACTION JOINTS ON CONCRETE TRAILS SHALL BE SAWCUT.
2. TRANSVERSE SIDEWALK JOINTS SHALL MATCH CURB AND GUTTER JOINTS.

NOTE: CURB NOT REQUIRED FOR THIS SITE.

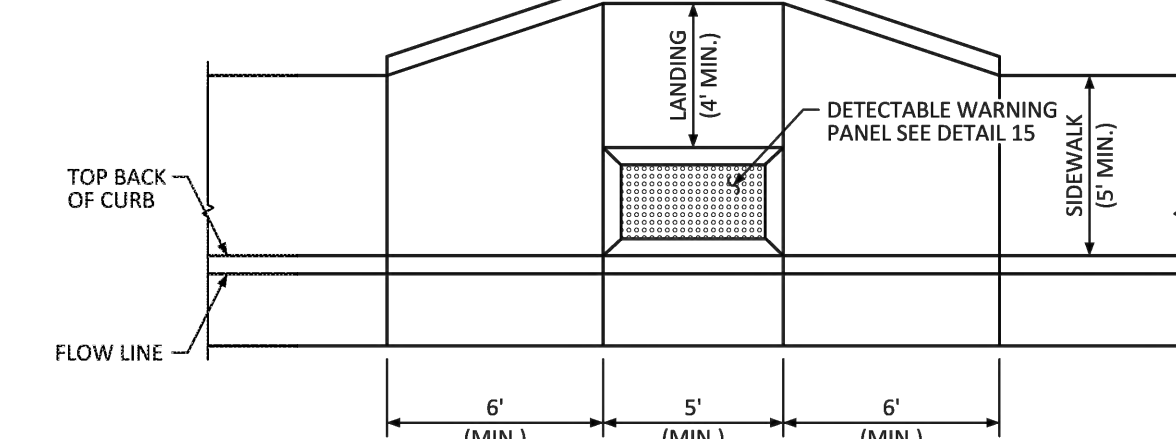


ISOMETRIC

SECTION A-A



SECTION B-B



MIDBLOCK CURB RAMP

NO CHANGES ARE TO BE MADE TO THIS DRAWING WITHOUT WRITTEN PERMISSION OF THE TOWN OF PARKER.



CURB, GUTTER, AND SIDEWALK SECTIONS STANDARD DETAIL

DATE: DECEMBER 2016
DETAIL: 3 OF 1



DETACHED SIDEWALK STANDARD DETAIL

DATE: DECEMBER 2016
DETAIL: 4 OF 2



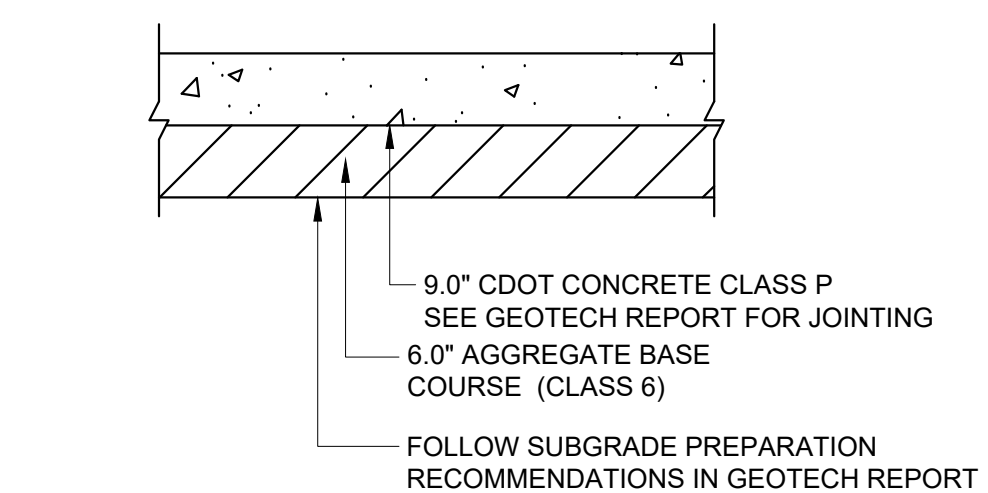
ATTACHED SIDEWALK STANDARD DETAIL

DATE: DECEMBER 2016
DETAIL: 4 OF 2

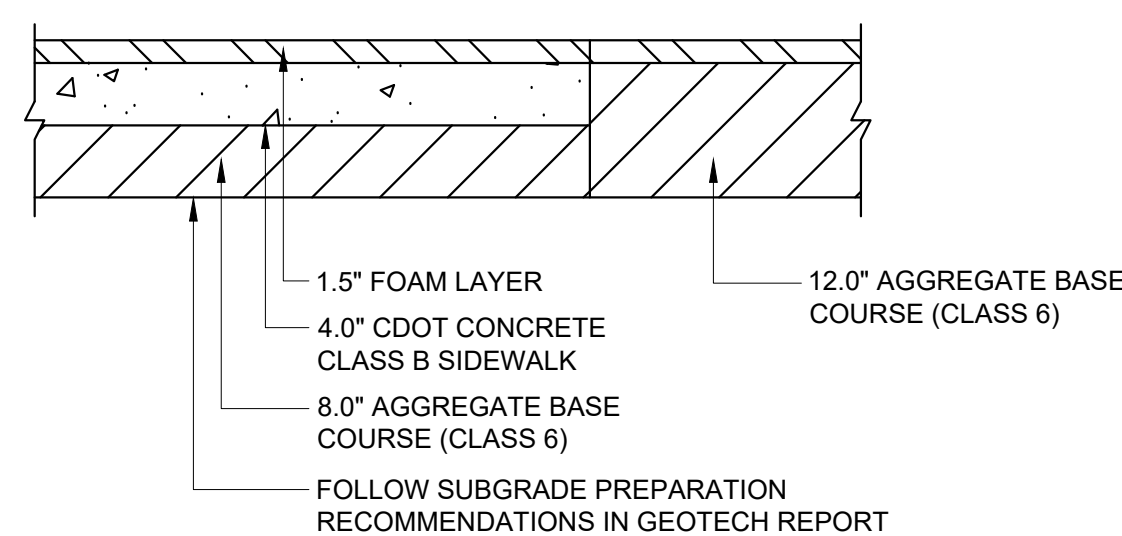


MIDBLOCK CURB RAMP LAYOUT STANDARD DETAIL

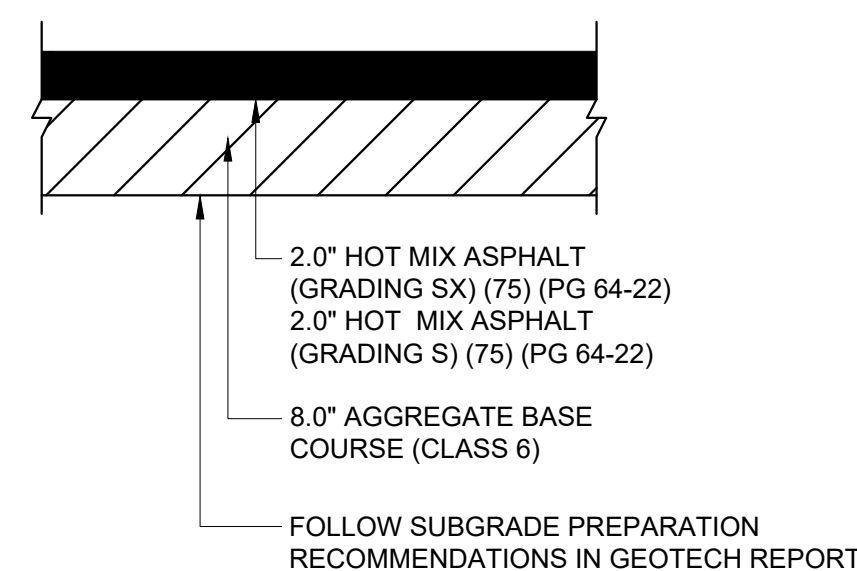
DATE: DECEMBER 2016
DETAIL: 17 OF 2



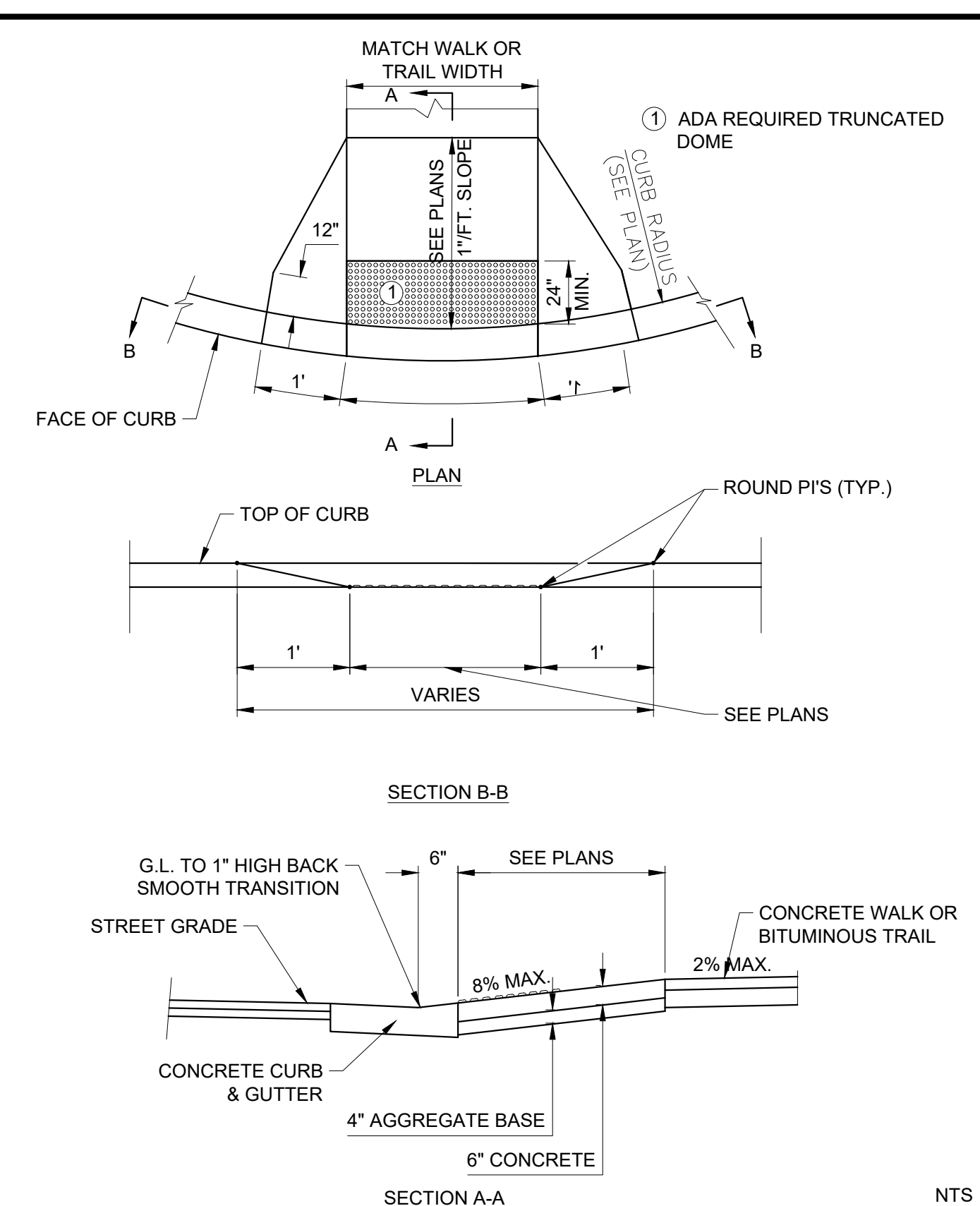
CONCRETE DUMPSTER PAD NTS



PLAYGROUND SECTION NTS

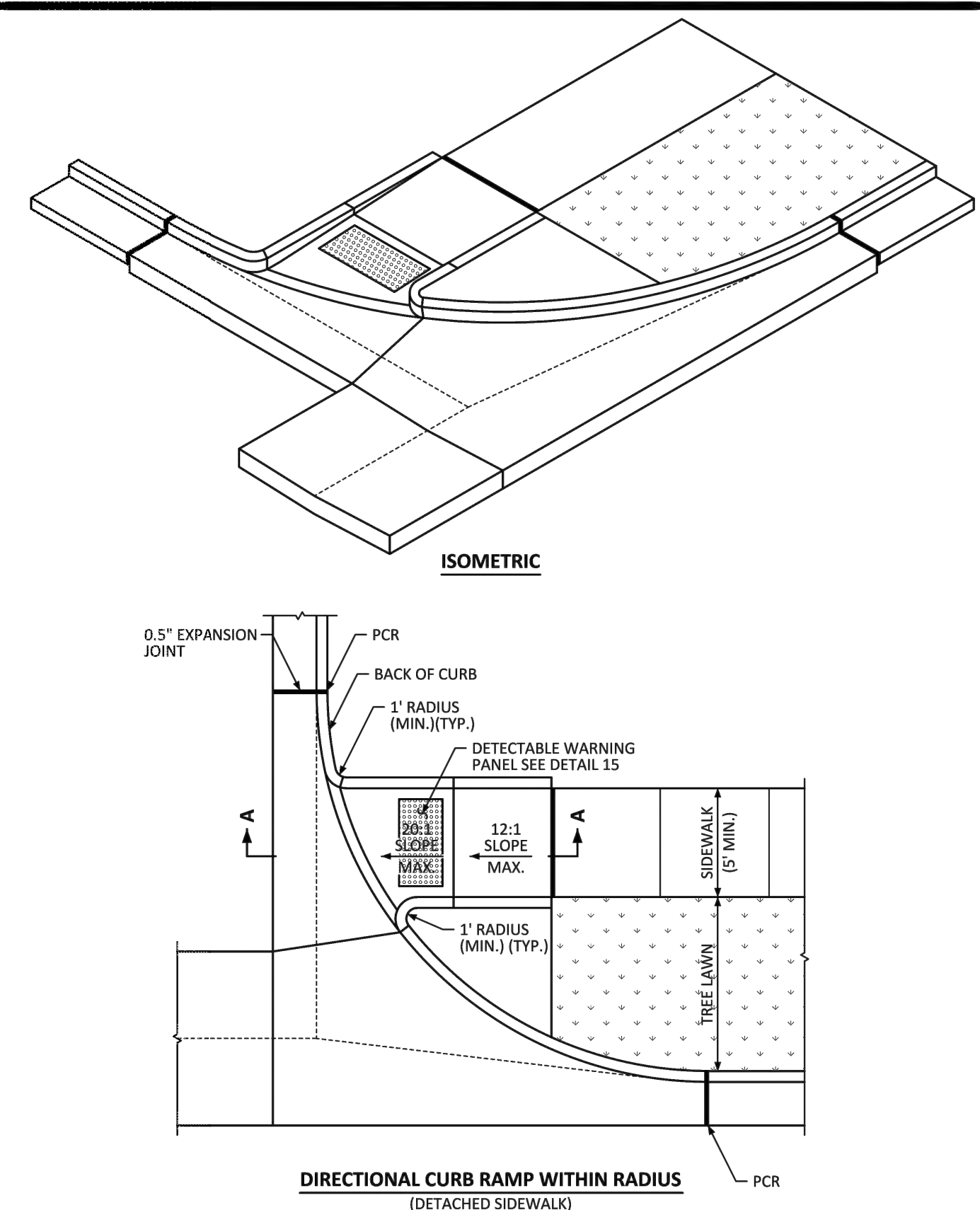


ASPHALT PARKING LOT NTS



PEDESTRIAN CURB RAMP FOR SIDEWALK OR TRAIL NTS

Revised: Oct. 2011
SEH Plate No. STR-04



DIRECTIONAL CURB RAMP WITHIN RADIUS (DETACHED SIDEWALK) NTS

NO CHANGES ARE TO BE MADE TO THIS DRAWING WITHOUT WRITTEN PERMISSION OF THE TOWN OF PARKER.



DIRECTIONAL CURB RAMP WITHIN RADIUS LAYOUT STANDARD DETAIL

DATE: DECEMBER 2016
DETAIL: 18 OF 2



Building a Better World for All of Us®



Owner
New Horizon Academy
3405 Annapolis Lane
N, Suite 100
Plymouth, MN 55447
763.557.1111

Architect
Short Elliott Hendrickson, Inc.
2000 South Colorado Boulevard
Tower One, Suite 6000
Denver, Colorado 80222
720.540.6800

Landscape Architect
Short Elliott Hendrickson, Inc.
Suite 300
Minnetonka, MN 55343
952.912.2600

Civil Engineer
Short Elliott Hendrickson, Inc.
2000 South Colorado Boulevard
Tower One, Suite 6000
Denver, Colorado 80222
720.540.6800

Structural Engineer
Short Elliott Hendrickson, Inc.
3535 Vadnais Center Drive
St. Paul, MN 55110
651.490.2000

Mechanical Engineer
Short Elliott Hendrickson, Inc.
3535 Vadnais Center Drive
St. Paul, MN 55110
651.490.2000

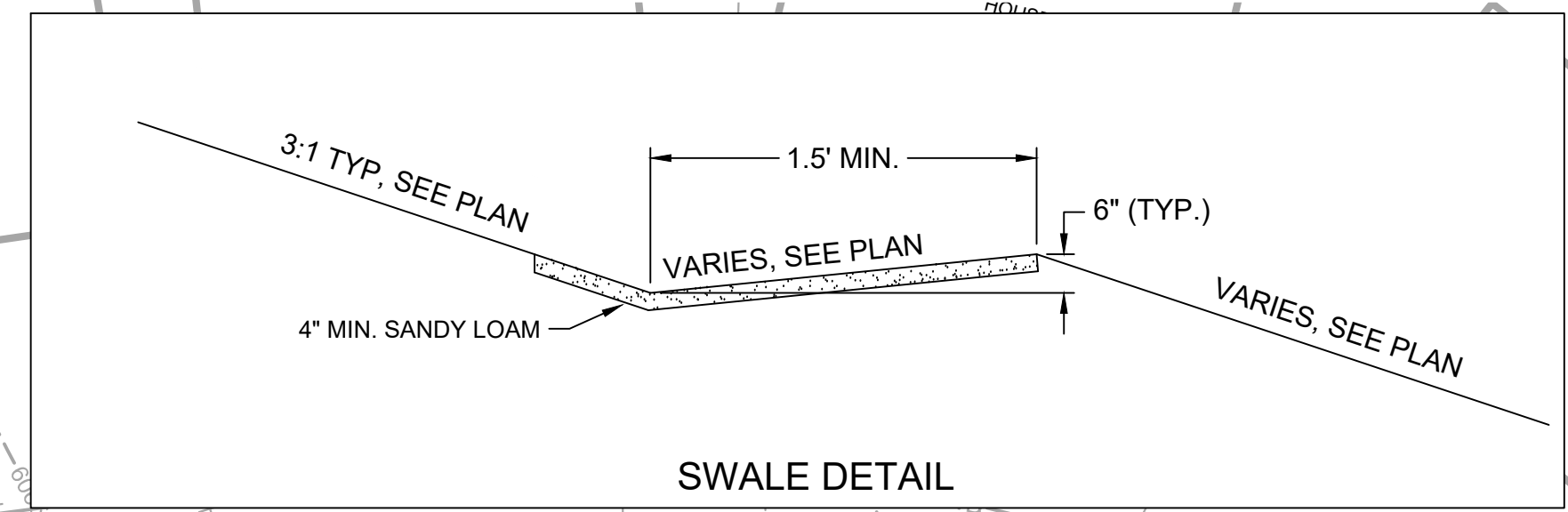
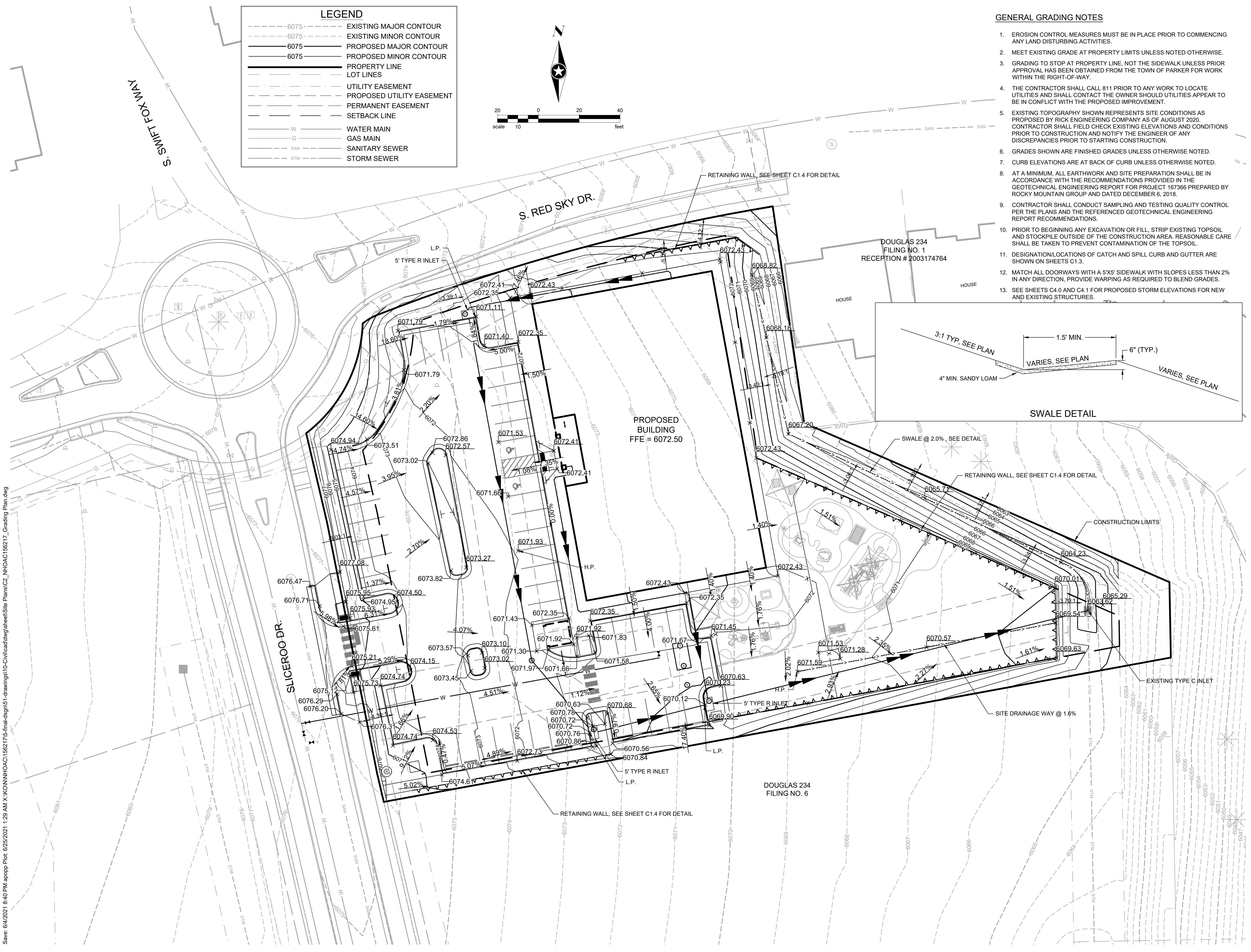
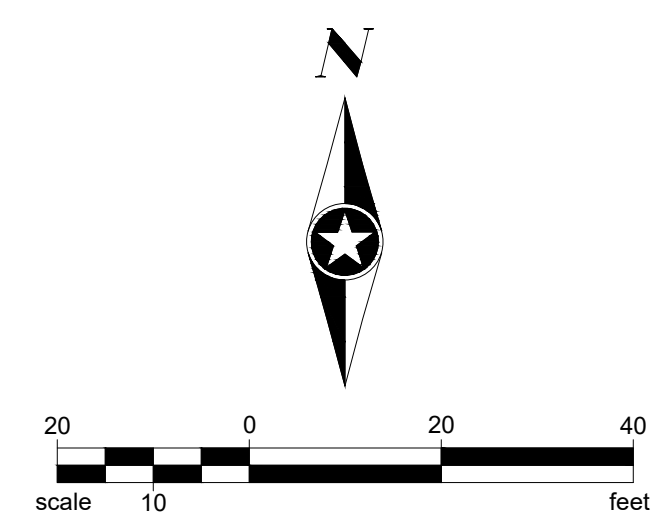
Electrical Engineer
Short Elliott Hendrickson, Inc.
3535 Vadnais Center Drive
St. Paul, MN 55110
651.490.2000

GENERAL GRADING NOTES

- EROSION CONTROL MEASURES MUST BE IN PLACE PRIOR TO COMMENCING ANY LAND DISTURBING ACTIVITIES.
- MEET EXISTING GRADE AT PROPERTY LIMITS UNLESS NOTED OTHERWISE.
- GRADING TO STOP AT PROPERTY LINE, NOT THE SIDEWALK UNLESS PRIOR APPROVAL HAS BEEN OBTAINED FROM THE TOWN OF PARKER FOR WORK WITHIN THE RIGHT-OF-WAY.
- THE CONTRACTOR SHALL CALL 811 PRIOR TO ANY WORK TO LOCATE UTILITIES AND SHALL CONTACT THE OWNER SHOULD UTILITIES APPEAR TO BE IN CONFLICT WITH THE PROPOSED IMPROVEMENT.
- EXISTING TOPOGRAPHY SHOWN REPRESENTS SITE CONDITIONS AS PROPOSED BY RICK ENGINEERING COMPANY AS OF AUGUST 2020. CONTRACTOR SHALL FIELD CHECK EXISTING ELEVATIONS AND CONDITIONS PRIOR TO CONSTRUCTION AND NOTIFY THE ENGINEER OF ANY DISCREPANCIES PRIOR TO STARTING CONSTRUCTION.
- GRADES SHOWN ARE FINISHED GRADES UNLESS OTHERWISE NOTED.
- CURB ELEVATIONS ARE AT BACK OF CURB UNLESS OTHERWISE NOTED.
- AT A MINIMUM, ALL EARTHWORK AND SITE PREPARATION SHALL BE IN ACCORDANCE WITH THE RECOMMENDATIONS PROVIDED IN THE GEOTECHNICAL ENGINEERING REPORT FOR PROJECT 167366 PREPARED BY ROCKY MOUNTAIN GROUP AND DATED DECEMBER 6, 2018.
- CONTRACTOR SHALL CONDUCT SAMPLING AND TESTING QUALITY CONTROL PER THE PLANS AND THE REFERENCED GEOTECHNICAL ENGINEERING REPORT RECOMMENDATIONS.
- PRIOR TO BEGINNING ANY EXCAVATION OR FILL, STRIP EXISTING TOPSOIL AND STOCKPILE OUTSIDE OF THE CONSTRUCTION AREA. REASONABLE CARE SHALL BE TAKEN TO PREVENT CONTAMINATION OF THE TOPSOIL.
- DESIGNATION/LOCATIONS OF CATCH AND SPILL CURB AND GUTTER ARE SHOWN ON SHEETS C1.3.
- MATCH ALL DOORWAYS WITH A 5X5' SIDEWALK WITH SLOPES LESS THAN 2% IN ANY DIRECTION. PROVIDE WARPING AS REQUIRED TO BLEND GRADES.
- SEE SHEETS C4.0 AND C4.1 FOR PROPOSED STORM ELEVATIONS FOR NEW AND EXISTING STRUCTURES.

LEGEND

---6075---	EXISTING MAJOR CONTOUR
---6075---	EXISTING MINOR CONTOUR
---6075---	PROPOSED MAJOR CONTOUR
---6075---	PROPOSED MINOR CONTOUR
---	PROPERTY LINE
---	LOT LINES
---	UTILITY EASEMENT
---	PROPOSED UTILITY EASEMENT
---	PERMANENT EASEMENT
---	SETBACK LINE
---	WATER MAIN
---	GAS MAIN
---	SANITARY SEWER
---	STORM SEWER



Save: 6/4/2021 8:40 PM apopp Plot: 6/25/2021 1:28 AM X:\K\MINNHOAC\156217\5-final-dgn\51-drawings\10-civil\cadd\dwg\sheet\Site Plans\C2_NHOAC\156217_Grading Plan.dwg

NEW HORIZON ACADEMY - DOUGLAS 234 FILING, NO. 6

This drawing is an instrument of service and shall remain the property of Short Elliott Hendrickson, Inc. (SEH). This drawing and the concepts and ideas contained herein shall not be used, reproduced, revised, or retained without the express written approval of SEH.

Substitution or distribution of this drawing to meet official or regulatory requirements or for other purposes in connection with the project is not to be construed as publication in derogation of any of the rights of SEH.

SEH Project
Checked By
Drawn By

NHOAC 156217
DRH
AMP

Project Status
CONSTRUCTION SET

Issue Date
6/25/2021

Revision Issue
Rev. # Description Date

GRADING PLAN

C2.0



Owner
New Horizon Academy
3405 Annapolis Lane
N, Suite 100
Plymouth, MN 55447
763.557.1111

Architect
Short Elliott Hendrickson, Inc.
2000 South Colorado Boulevard
Tower One, Suite 6000
Denver, Colorado 80222
720.540.6800

Landscape Architect
Short Elliott Hendrickson, Inc.
10901 Reed Circle Drive
Suite 300
Minnetonka, MN 55343
952.912.2600

Civil Engineer
Short Elliott Hendrickson, Inc.
2000 South Colorado Boulevard
Tower One, Suite 6000
Denver, Colorado 80222
720.540.6800

Structural Engineer
Short Elliott Hendrickson, Inc.
3535 Vadnais Center Drive
St. Paul, MN 55110
651.490.2000

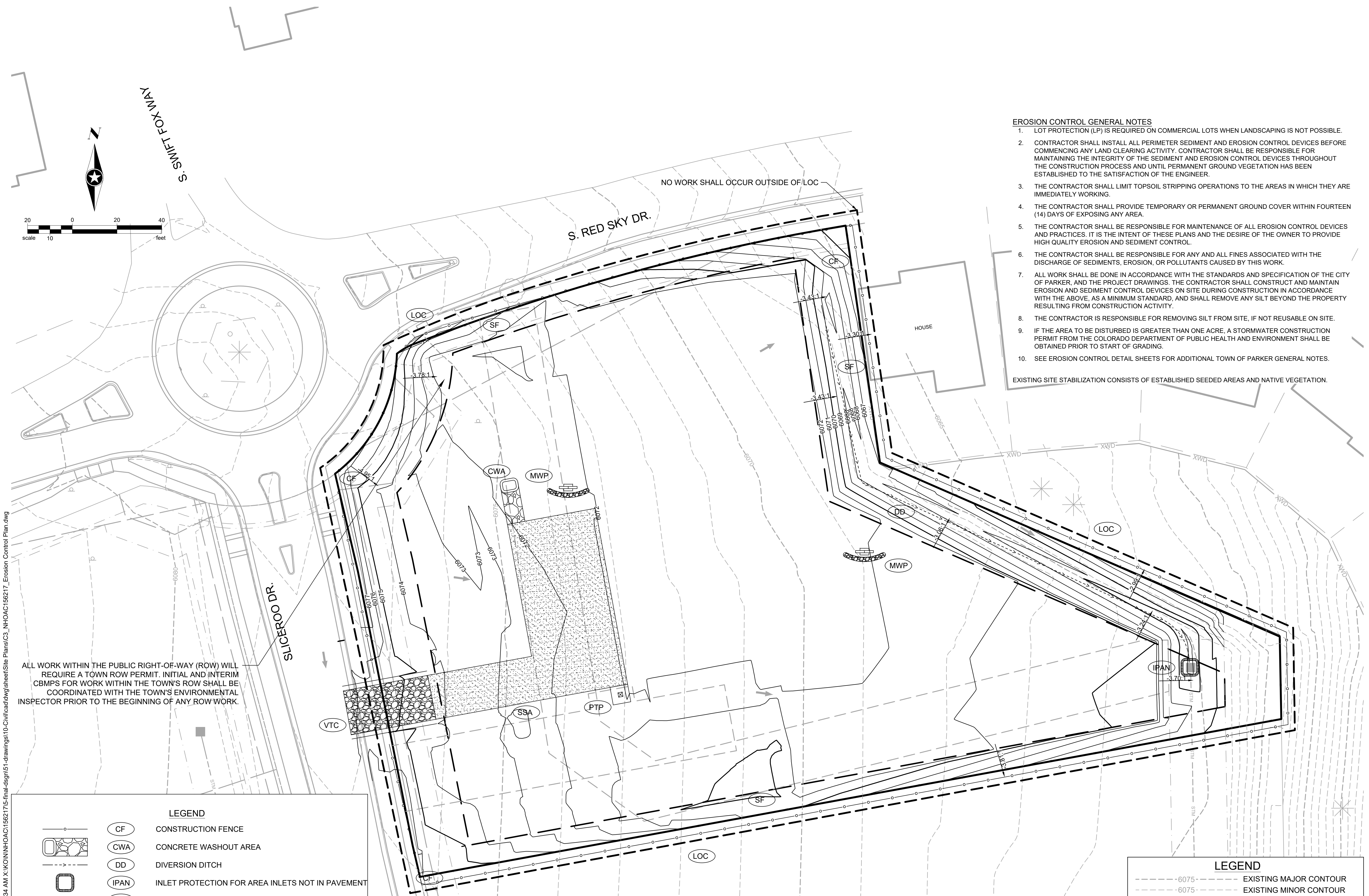
Mechanical Engineer
Short Elliott Hendrickson, Inc.
3535 Vadnais Center Drive
St. Paul, MN 55110
651.490.2000

Electrical Engineer
Short Elliott Hendrickson, Inc.
3535 Vadnais Center Drive
St. Paul, MN 55110
651.490.2000

EROSION CONTROL GENERAL NOTES

1. LOT PROTECTION (LP) IS REQUIRED ON COMMERCIAL LOTS WHEN LANDSCAPING IS NOT POSSIBLE.
2. CONTRACTOR SHALL INSTALL ALL PERIMETER SEDIMENT AND EROSION CONTROL DEVICES BEFORE COMMENCING ANY LAND CLEARING ACTIVITY. CONTRACTOR SHALL BE RESPONSIBLE FOR MAINTAINING THE INTEGRITY OF THE SEDIMENT AND EROSION CONTROL DEVICES THROUGHOUT THE CONSTRUCTION PROCESS AND UNTIL PERMANENT GROUND VEGETATION HAS BEEN ESTABLISHED TO THE SATISFACTION OF THE ENGINEER.
3. THE CONTRACTOR SHALL LIMIT TOPSOIL STRIPPING OPERATIONS TO THE AREAS IN WHICH THEY ARE IMMEDIATELY WORKING.
4. THE CONTRACTOR SHALL PROVIDE TEMPORARY OR PERMANENT GROUND COVER WITHIN FOURTEEN (14) DAYS OF EXPOSING ANY AREA.
5. THE CONTRACTOR SHALL BE RESPONSIBLE FOR MAINTENANCE OF ALL EROSION CONTROL DEVICES AND PRACTICES. IT IS THE INTENT OF THESE PLANS AND THE DESIRE OF THE OWNER TO PROVIDE HIGH QUALITY EROSION AND SEDIMENT CONTROL.
6. THE CONTRACTOR SHALL BE RESPONSIBLE FOR ANY AND ALL FINES ASSOCIATED WITH THE DISCHARGE OF SEDIMENTS, EROSION, OR POLLUTANTS CAUSED BY THIS WORK.
7. ALL WORK SHALL BE DONE IN ACCORDANCE WITH THE STANDARDS AND SPECIFICATION OF THE CITY OF PARKER, AND THE PROJECT DRAWINGS. THE CONTRACTOR SHALL CONSTRUCT AND MAINTAIN EROSION AND SEDIMENT CONTROL DEVICES ON SITE DURING CONSTRUCTION IN ACCORDANCE WITH THE ABOVE, AS A MINIMUM STANDARD, AND SHALL REMOVE ANY SILT BEYOND THE PROPERTY RESULTING FROM CONSTRUCTION ACTIVITY.
8. THE CONTRACTOR IS RESPONSIBLE FOR REMOVING SILT FROM SITE, IF NOT REUSABLE ON SITE.
9. IF THE AREA TO BE DISTURBED IS GREATER THAN ONE ACRE, A STORMWATER CONSTRUCTION PERMIT FROM THE COLORADO DEPARTMENT OF PUBLIC HEALTH AND ENVIRONMENT SHALL BE OBTAINED PRIOR TO START OF GRADING.
10. SEE EROSION CONTROL DETAIL SHEETS FOR ADDITIONAL TOWN OF PARKER GENERAL NOTES.

EXISTING SITE STABILIZATION CONSISTS OF ESTABLISHED SEEDED AREAS AND NATIVE VEGETATION.



ALL WORK WITHIN THE PUBLIC RIGHT-OF-WAY (ROW) WILL REQUIRE A TOWN ROW PERMIT. INITIAL AND INTERIM CBMPS FOR WORK WITHIN THE TOWN'S ROW SHALL BE COORDINATED WITH THE TOWN'S ENVIRONMENTAL INSPECTOR PRIOR TO THE BEGINNING OF ANY ROW WORK.

Save: 6/4/2021 9:54 PM apopp Plot: 6/25/2021 1:34 AM X:\K\MINNHOC\156217\5-final-dgn\51-drawings\10-Civil\c3\c3.dwg\sheet\Site Plans\C3_NHOC\156217_Erosion Control Plan.dwg

LEGEND	
	CF CONSTRUCTION FENCE
	CWA CONCRETE WASHOUT AREA
	DD DIVERSION DITCH
	IPAN INLET PROTECTION FOR AREA INLETS NOT IN PAVEMENT
	LOC LIMITS OF CONSTRUCTION
	MWP MASONRY WORK PROTECTION
	PTP PORTABLE TOILET PROTECTION
	SF SILT FENCE
	SSA STABILIZED STAGING AREA
	VTC VEHICLE TRACKING CONTROL

LEGEND	
	6075- EXISTING MAJOR CONTOUR
	6075- EXISTING MINOR CONTOUR
	6075- PROPOSED MAJOR CONTOUR
	6075- PROPOSED MINOR CONTOUR
	PROPERTY LINE
	LOT LINES
	UTILITY EASEMENT
	PROPOSED UTILITY EASEMENT
	PERMANENT EASEMENT
	SETBACK LINE
	W WATER MAIN
	G GAS MAIN
	SAN SANITARY SEWER
	STM STORM SEWER

The Town of Parker review constitutes general compliance with the Town's Standards and approved variances, subject to these plans being stamped, signed, and dated by the professional engineer of record. Review by the Town does not constitute approval of the plan design or accuracy and correctness of engineering calculations. Errors in the design or calculations remain the responsibility of the registered professional engineer whose stamp and signature are affixed to this document.

This review does not constitute approval of any private on-site improvements which may be shown. Construction cannot commence until all required drainage/traffic report(s), final development plan(s), special review(s), grading permit, and/or other permits are complete, approved and on file with the Town of Parker.

Town of Parker, Director of Engineering
Date: 08/17/2022

NEW HORIZON ACADEMY -
DOUGLAS 234 FILING, NO. 6
PARKER, CO

This drawing is an instrument of service and shall remain the property of Short Elliott Hendrickson, Inc. (SEH). This drawing and the concepts and ideas contained herein shall not be used, reproduced, revised, or retained without the express written approval of SEH.

Submittal or distribution of this drawing to meet official or regulatory requirements or for other purposes in connection with the project is not to be construed as publication in derogation of any of the rights of SEH.

COPYRIGHT © 2021
Short Elliott Hendrickson, Inc.
All Rights Reserved

SEH Project: NHOC 156217
Checked By: DRH
Drawn By: AMP

Project Status: CONSTRUCTION SET
Issue Date: 6/25/2021

Revision Issue		
Rev. #	Description	Date

INITIAL CBMP PLAN

C3.0



Owner
New Horizon Academy
3405 Annapolis Lane
N, Suite 100
Plymouth, MN 55447
763.557.1111

Architect
Short Elliott Hendrickson, Inc.
2000 South Colorado Boulevard
Tower One, Suite 6000
Denver, Colorado 80222
720.540.6800

Landscape Architect
Short Elliott Hendrickson, Inc.
10901 Reed Circle Drive
Suite 300
Minnetonka, MN 55343
952.912.2600

Civil Engineer
Short Elliott Hendrickson, Inc.
2000 South Colorado Boulevard
Tower One, Suite 6000
Denver, Colorado 80222
720.540.6800

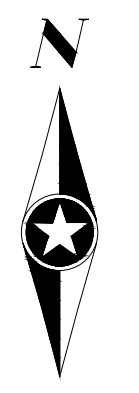
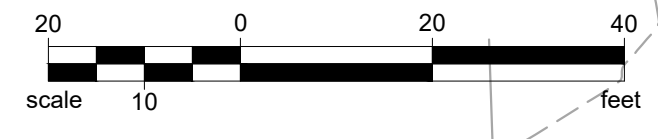
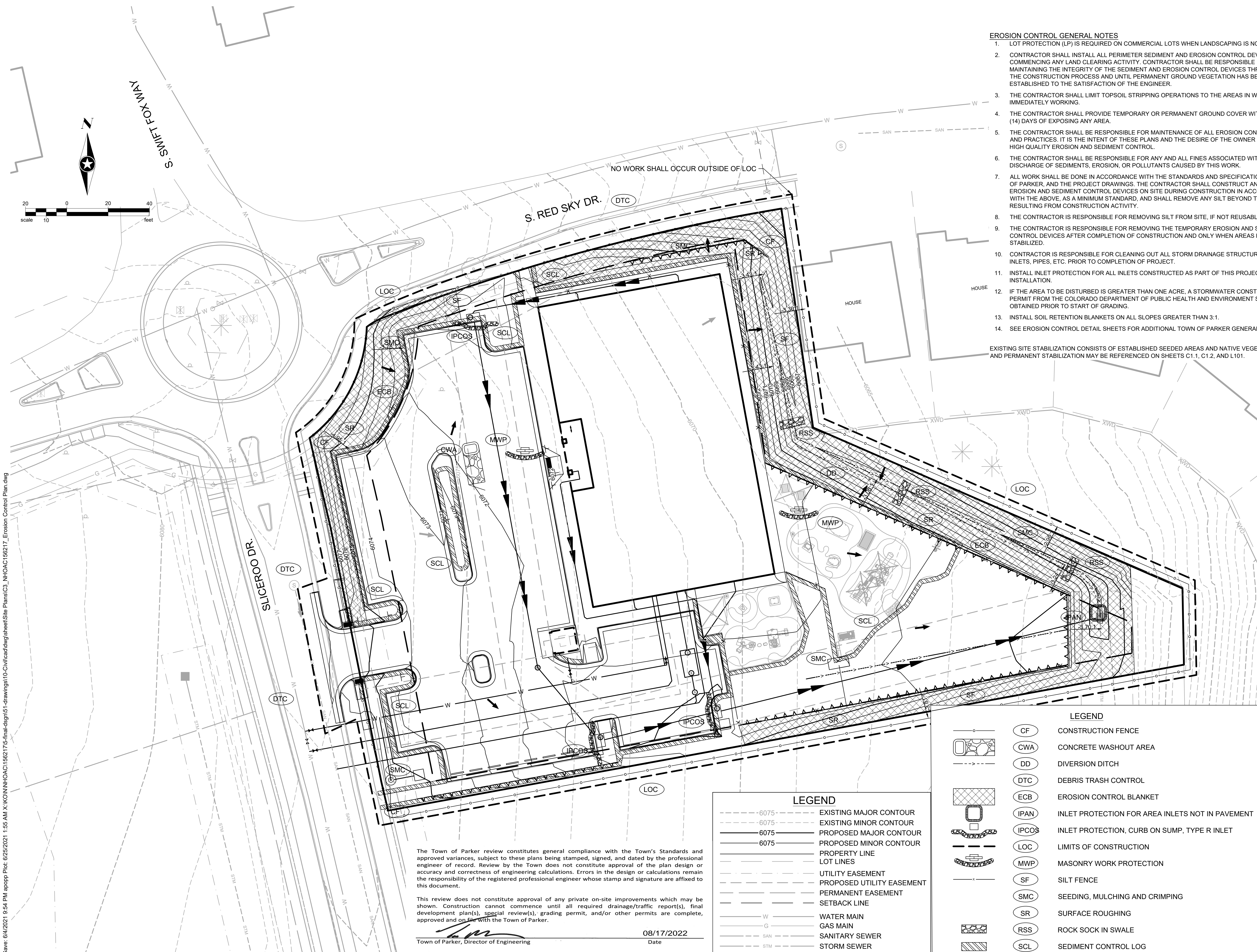
Structural Engineer
Short Elliott Hendrickson, Inc.
3535 Vadnais Center Drive
St. Paul, MN 55110
651.490.2000

Mechanical Engineer
Short Elliott Hendrickson, Inc.
3535 Vadnais Center Drive
St. Paul, MN 55110
651.490.2000

Electrical Engineer
Short Elliott Hendrickson, Inc.
3535 Vadnais Center Drive
St. Paul, MN 55110
651.490.2000

- EROSION CONTROL GENERAL NOTES**
1. LOT PROTECTION (LP) IS REQUIRED ON COMMERCIAL LOTS WHEN LANDSCAPING IS NOT POSSIBLE.
 2. CONTRACTOR SHALL INSTALL ALL PERIMETER SEDIMENT AND EROSION CONTROL DEVICES BEFORE COMMENCING ANY LAND CLEARING ACTIVITY. CONTRACTOR SHALL BE RESPONSIBLE FOR MAINTAINING THE INTEGRITY OF THE SEDIMENT AND EROSION CONTROL DEVICES THROUGHOUT THE CONSTRUCTION PROCESS AND UNTIL PERMANENT GROUND VEGETATION HAS BEEN ESTABLISHED TO THE SATISFACTION OF THE ENGINEER.
 3. THE CONTRACTOR SHALL LIMIT TOPSOIL STRIPPING OPERATIONS TO THE AREAS IN WHICH THEY ARE IMMEDIATELY WORKING.
 4. THE CONTRACTOR SHALL PROVIDE TEMPORARY OR PERMANENT GROUND COVER WITHIN FOURTEEN (14) DAYS OF EXPOSING ANY AREA.
 5. THE CONTRACTOR SHALL BE RESPONSIBLE FOR MAINTENANCE OF ALL EROSION CONTROL DEVICES AND PRACTICES. IT IS THE INTENT OF THESE PLANS AND THE DESIRE OF THE OWNER TO PROVIDE HIGH QUALITY EROSION AND SEDIMENT CONTROL.
 6. THE CONTRACTOR SHALL BE RESPONSIBLE FOR ANY AND ALL FINES ASSOCIATED WITH THE DISCHARGE OF SEDIMENTS, EROSION, OR POLLUTANTS CAUSED BY THIS WORK.
 7. ALL WORK SHALL BE DONE IN ACCORDANCE WITH THE STANDARDS AND SPECIFICATION OF THE CITY OF PARKER, AND THE PROJECT DRAWINGS. THE CONTRACTOR SHALL CONSTRUCT AND MAINTAIN EROSION AND SEDIMENT CONTROL DEVICES ON SITE DURING CONSTRUCTION IN ACCORDANCE WITH THE ABOVE, AS A MINIMUM STANDARD, AND SHALL REMOVE ANY SILT BEYOND THE PROPERTY RESULTING FROM CONSTRUCTION ACTIVITY.
 8. THE CONTRACTOR IS RESPONSIBLE FOR REMOVING SILT FROM SITE, IF NOT REUSABLE ON SITE.
 9. THE CONTRACTOR IS RESPONSIBLE FOR REMOVING THE TEMPORARY EROSION AND SEDIMENT CONTROL DEVICES AFTER COMPLETION OF CONSTRUCTION AND ONLY WHEN AREAS HAVE BEEN STABILIZED.
 10. CONTRACTOR IS RESPONSIBLE FOR CLEANING OUT ALL STORM DRAINAGE STRUCTURES, INCLUDING INLETS, PIPES, ETC. PRIOR TO COMPLETION OF PROJECT.
 11. INSTALL INLET PROTECTION FOR ALL INLETS CONSTRUCTED AS PART OF THIS PROJECT FOLLOWING INSTALLATION.
 12. IF THE AREA TO BE DISTURBED IS GREATER THAN ONE ACRE, A STORMWATER CONSTRUCTION PERMIT FROM THE COLORADO DEPARTMENT OF PUBLIC HEALTH AND ENVIRONMENT SHALL BE OBTAINED PRIOR TO START OF GRADING.
 13. INSTALL SOIL RETENTION BLANKETS ON ALL SLOPES GREATER THAN 3:1.
 14. SEE EROSION CONTROL DETAIL SHEETS FOR ADDITIONAL TOWN OF PARKER GENERAL NOTES.

EXISTING SITE STABILIZATION CONSISTS OF ESTABLISHED SEEDED AREAS AND NATIVE VEGETATION. FINAL AND PERMANENT STABILIZATION MAY BE REFERENCED ON SHEETS C1.1, C1.2, AND L101.



Save: 6/4/2021 9:54 PM apopp Plot: 6/25/2021 1:55 AM X:\KON\NHOAC\156217\5-final-dgn\51-drawings\10-civil\cad\dwg\sheet\Site Plans\C3_NHOAC\156217_Erosion Control Plan.dwg

The Town of Parker review constitutes general compliance with the Town's Standards and approved variances, subject to these plans being stamped, signed, and dated by the professional engineer of record. Review by the Town does not constitute approval of the plan design or accuracy and correctness of engineering calculations. Errors in the design or calculations remain the responsibility of the registered professional engineer whose stamp and signature are affixed to this document.

This review does not constitute approval of any private on-site improvements which may be shown. Construction cannot commence until all required drainage/traffic report(s), final development plan(s), special review(s), grading permit, and/or other permits are complete, approved and on file with the Town of Parker.

Town of Parker, Director of Engineering
Date: 08/17/2022

LEGEND

---	6075	EXISTING MAJOR CONTOUR
---	6075	EXISTING MINOR CONTOUR
---	6075	PROPOSED MAJOR CONTOUR
---	6075	PROPOSED MINOR CONTOUR
---		PROPERTY LINE
---		LOT LINES
---		UTILITY EASEMENT
---		PROPOSED UTILITY EASEMENT
---		PERMANENT EASEMENT
---		SETBACK LINE
---	W	WATER MAIN
---	G	GAS MAIN
---	SAN	SANITARY SEWER
---	STM	STORM SEWER

LEGEND

	CF	CONSTRUCTION FENCE
	CWA	CONCRETE WASHOUT AREA
	DD	DIVERSION DITCH
	DTC	DEBRIS TRASH CONTROL
	ECB	EROSION CONTROL BLANKET
	IPAN	INLET PROTECTION FOR AREA INLETS NOT IN PAVEMENT
	IPCOS	INLET PROTECTION, CURB ON SUMP, TYPE R INLET
	LOC	LIMITS OF CONSTRUCTION
	MWP	MASONRY WORK PROTECTION
	SF	SILT FENCE
	SMC	SEEDING, MULCHING AND CRIMPING
	SR	SURFACE ROUGHING
	RSS	ROCK SOCK IN SWALE
	SCL	SEDIMENT CONTROL LOG

NEW HORIZON ACADEMY -
 DOUGLAS 234 FILING, NO. 6
 PARKER, CO

This drawing is an instrument of service and shall remain the property of Short Elliott Hendrickson, Inc. (SEH). This drawing and the concepts and ideas contained herein shall not be used, reproduced, revised, or retained without the express written approval of SEH.

Substitution or distribution of this drawing to meet official or regulatory requirements or for other purposes in connection with the project is not to be construed as publication in derogation of any of the rights of SEH.

COPYRIGHT © 2021
Short Elliott Hendrickson, Inc.
All Rights Reserved.

SEH Project: NHOAC 156217
Checked By: DRH
Drawn By: AMP

Project Status: CONSTRUCTION SET
Issue Date: 6/25/2021

Revision Issue

Rev. #	Description	Date

INTERIM-FINAL CBMP PLAN



Owner
New Horizon Academy
3405 Annapolis Lane
N., Suite 100
Plymouth, MN 55447
763.557.1111

Architect
Short Elliott Hendrickson, Inc.
2000 South Colorado Boulevard
Tower One, Suite 6000
Denver, Colorado 80222
720.540.6800

Landscape Architect
Short Elliott Hendrickson, Inc.
19001 Red Circle Drive
Suite 300
Minnetonka, MN 55343
952.912.2800

Civil Engineer
Short Elliott Hendrickson, Inc.
2000 South Colorado Boulevard
Tower One, Suite 6000
Denver, Colorado 80222
720.540.6800

Structural Engineer
Short Elliott Hendrickson, Inc.
3535 Vadnais Center Drive
St. Paul, MN 55110
651.490.2000

Mechanical Engineer
Short Elliott Hendrickson, Inc.
3535 Vadnais Center Drive
St. Paul, MN 55110
651.490.2000

Electrical Engineer
Short Elliott Hendrickson, Inc.
3535 Vadnais Center Drive
St. Paul, MN 55110
651.490.2000

NO CHANGES ARE TO BE MADE TO THIS DRAWING WITHOUT WRITTEN PERMISSION OF THE TOWN OF PARKER.

	CD	CHECK DAM
	CF	CONSTRUCTION FENCE
	CP	CULVERT PROTECTION
	CWA	CONCRETE WASHOUT AREA
	D	DEWATERING
	DD	DIVERSION DITCH
	DP	DETENTION POND PROTECTION
	DTC	DEBRIS TRASH CONTROL
	ECB	EROSION CONTROL BLANKET
	IPAN	INLET PROTECTION FOR AREA INLETS NOT IN PAVEMENT
	IPAP	INLET PROTECTION FOR AREA INLETS IN PAVEMENT
	IPCOG	INLET PROTECTION, CURB ON-GRADE, TYPE R INLET
	IPCOS	INLET PROTECTION, CURB ON SUMP, TYPE R INLET

NO CHANGES ARE TO BE MADE TO THIS DRAWING WITHOUT WRITTEN PERMISSION OF THE TOWN OF PARKER.

	LP	LOT PROTECTION
	MWP	MASONRY WORK PROTECTION
	PTP	PORTABLE TOILET PROTECTION
	RCSC	ROUGH CUT STREET CONTROL
	RS	ROCK SOCK
	RSS	ROCK SOCK IN SWALE
	SB	STRAW BALE
	SCL	SEDIMENT CONTROL LOGS
	SF	SILT FENCE
	SMC	SEEDING, MULCHING AND CRIMPING
	SR	SURFACE ROUGHING
	SSA	STABILIZED STAGING AREA
	STP	SIDEWALK TRANSITION PROTECTION

NO CHANGES ARE TO BE MADE TO THIS DRAWING WITHOUT WRITTEN PERMISSION OF THE TOWN OF PARKER.

	TI	TEMPORARY IRRIGATION
	TSB	TEMPORARY SEDIMENT BASIN
	VTC	VEHICLE TRACKING CONTROL

- NO CHANGES ARE TO BE MADE TO THIS DRAWING WITHOUT WRITTEN PERMISSION OF THE TOWN OF PARKER.
- GRADING, DRILLING, CLEARING, EXCAVATING, BACK-FILLING, SOIL STRIPPING, SOIL IMPORTING EXPORTING OR ANY OTHER FORM OF SOIL DISTURBANCE SHALL NOT COMMENCE UNTIL A TOWN OF PARKER GRADING/EXCAVATION PERMIT HAS BEEN ISSUED.
 - THE TOWN OF PARKER GRADING/EXCAVATION PERMIT IS VALID FOR A PERIOD OF 2 YEARS FROM THE DATE OF ISSUANCE. ANY LAPSE IN PERMIT COVERAGE MAY RESULT IN THE ISSUANCE OF A STOP WORK ORDER AND/OR FINES.
 - ALL EROSION AND SEDIMENT CONTROL BMPs SHALL BE INSTALLED ACCORDING TO THE CBMP PLAN INSTALLATION NOTES AND DETAILS AND/OR PERMITTED VARIANCES. ALL MATERIALS, WORKMANSHIP AND INSTALLATION METHODS ARE SUBJECT TO INSPECTION BY THE TOWN'S INSPECTOR. THE TOWN OF PARKER RESERVES THE RIGHT TO ACCEPT OR REJECT ANY SUCH MATERIALS, WORKMANSHIP AND/OR INSTALLATION METHODS THAT DO NOT CONFORM TO THE CBMP PLAN AND/OR PERMITTED VARIANCES.
 - THE EROSION CONTROL SUPERVISOR SHALL REVISE OR MODIFY THE EROSION AND SEDIMENT CONTROL MEASURES IF IT BECOMES APPARENT THAT THE ORIGINAL PLAN IS INADEQUATE, OR AS A RESULT OF DEFICIENCIES IDENTIFIED DURING INSPECTIONS PERFORMED BY THE TOWN'S INSPECTOR.
 - THE INSTALLATION OF ADDITIONAL EROSION AND SEDIMENT CONTROL BEST MANAGEMENT PRACTICES (BMPs) MAY BE REQUIRED OF THE EROSION CONTROL SUPERVISOR, PROPERTY OWNER, SITE DEVELOPER, CONTRACTOR AND/OR THEIR AUTHORIZED AGENTS AT ANY TIME THROUGHOUT THE DURATION OF THE PROJECT CONSTRUCTION AND/OR SUBSEQUENT REVEGETATION PERIOD.
 - THE EROSION CONTROL SUPERVISOR SHALL BE RESPONSIBLE FOR ENSURING THAT THE SITE REMAINS IN COMPLIANCE WITH THE NOTICE OF NUISANCE REPORTS (a.k.a. CONSTRUCTION SITE RUNOFF CONTROL INSPECTION REPORTS), APPROVED CBMP PLAN(S) AND THE TOWN OF PARKER STORM DRAINAGE AND ENVIRONMENTAL CRITERIA MANUAL.
 - THE EROSION CONTROL SUPERVISOR SHALL BE READILY AVAILABLE TO DISCUSS AND CORRECT ANY PROBLEMS THAT MAY ARISE RELATING TO GRADING, EROSION AND SEDIMENT CONTROL.
 - IF IT IS ANTICIPATED THAT ALL OR A PORTION OF THE PROJECT WILL OCCUR DURING SEASONS SUSCEPTIBLE TO SNOWFALL, THE USE OF CERTAIN EROSION AND SEDIMENT CONTROL BMPs ADJACENT TO PUBLIC ROADWAYS MAY NEED TO BE RECONSIDERED DUE TO THE NATURE OF SNOW REMOVAL OPERATIONS. AN APPROVED ALTERNATIVE MAY BE NECESSARY TO MINIMIZE DAMAGE FROM THESE OPERATIONS. THE TOWN OF PARKER ASSUMES NO RESPONSIBILITY FOR DAMAGE TO ANY BMPs AS A RESULT OF SNOW PLOWING AND SNOW REMOVAL.
 - AREAS OF LAND DISTURBANCE EQUAL TO 40 ACRES OR GREATER SHALL NOT BE EXPOSED FOR MORE THAN 30 CONSECUTIVE DAYS WITHOUT TEMPORARY OR PERMANENT STABILIZATION.
 - AUTHORIZED EXEMPTIONS MAY BE ALLOWED TO THE 40-ACRE LIMIT FOR REMOVAL AND STORAGE OF CUT MATERIAL WHERE (A) GEOTECHNICAL LIMITATIONS RESTRICT THE USE OF TEMPORARY OR PERMANENT STABILIZATION OF THE STORED MATERIAL (E.G., SWELLING SOILS, ROCK) AND (B) WHEN THE OWNER CAN DEMONSTRATE THAT THE 40-ACRE LIMIT IS PHYSICALLY AND/OR FINANCIALLY IMPRACTICABLE. FOR SITES GRANTED THIS EXEMPTION, A PHASING AND EARTHWORK QUANTITIES PLAN SHALL BE SUBMITTED TO THE PUBLIC WORKS DEPARTMENT AND APPROVED PRIOR TO THE COMMENCEMENT OF LAND DISTURBANCE ACTIVITIES. SUBMITTAL REQUIREMENTS INCLUDE:
 - PHASING PLAN SHOWING CUT AND FILL VOLUMES AND LOCATIONS FOR EACH PHASE AND PROJECT TOTALS.
 - EARTHWORK QUANTITY PLAN SHOWING CUT AND FILL VOLUMES AND LOCATIONS FOR EACH PHASE AND PROJECT TOTALS.
 - BMP PLAN SHOWING SPECIFIC EROSION AND SEDIMENT CONTROLS FOR EACH PHASE.

CBMP
CONSTRUCTION BEST MANAGEMENT PRACTICES
LEGEND
1 OF 3
Oct. 2013

CBMP
CONSTRUCTION BEST MANAGEMENT PRACTICES
LEGEND
2 OF 3
Oct. 2013

CBMP
CONSTRUCTION BEST MANAGEMENT PRACTICES
LEGEND
3 OF 3
Oct. 2013

CBMP
CONSTRUCTION BEST MANAGEMENT PRACTICES
GEN NOTES
1 OF 4
Oct. 2013

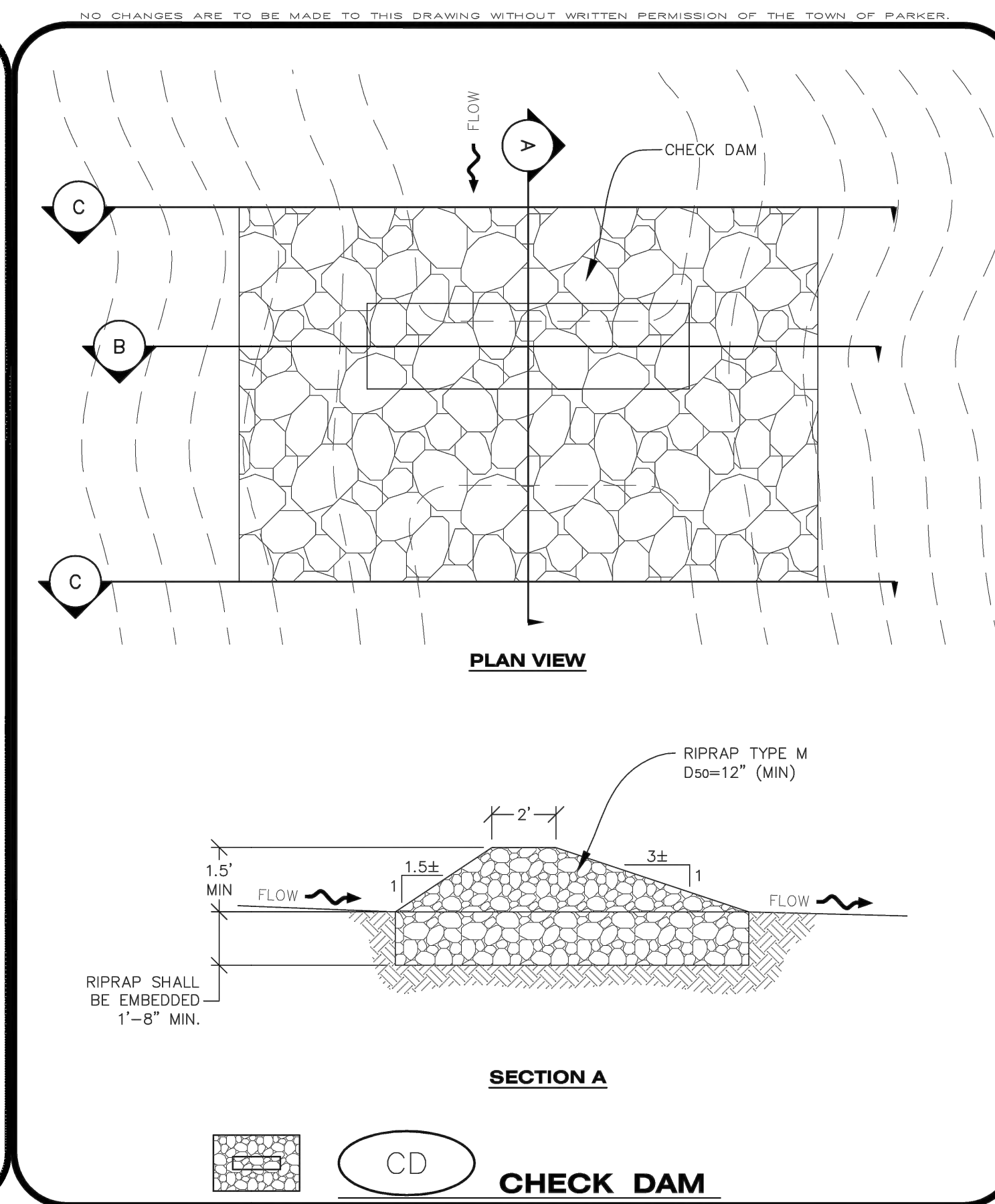
- NO CHANGES ARE TO BE MADE TO THIS DRAWING WITHOUT WRITTEN PERMISSION OF THE TOWN OF PARKER.
- ANY EROSION AND SEDIMENT CONTROL BMPs THAT ARE DAMAGED OR IN NEED OF MAINTENANCE OR REPLACEMENT SHALL BE CORRECTED AS SOON AS POSSIBLE, IMMEDIATELY IN MOST CASES.
 - ALL DEFICIENCIES LISTED ON THE NOTICE OF NUISANCE FORM SHALL BE COMPLETED AS SOON AS POSSIBLE, IMMEDIATELY IN MOST CASES. ALL REQUIRED ACTIONS MUST BE IN THE CORRECTED FORM DURING THE FOLLOW-UP INSPECTION.
 - THE EROSION CONTROL SUPERVISOR IS RESPONSIBLE FOR ENSURING THAT ALL STREETS, CURBS, GUTTERS, SIDEWALKS, DRIVEWAYS, PARKING LOTS, ALLEYS, TRICKLE CHANNELS, AND/OR OTHER IMPERVIOUS SURFACES IMPACTED BY CONSTRUCTION ACTIVITIES ARE THOROUGHLY CLEANED THROUGHOUT THE DAY IF THEY BECOME SOILED. THESE AREAS MUST ALSO BE THOROUGHLY CLEAN BEFORE THE END OF THE WORK DAY.
 - BULK STORAGE STRUCTURES FOR PETROLEUM PRODUCTS AND OTHER CHEMICALS SHALL HAVE ADEQUATE PROTECTION SO AS TO CONTAIN ALL SPILLS AND PREVENT ANY SPILLED MATERIAL FROM ENTERING STATE WATERS.
 - ALL TRASH RECEPTACLES ON SITE SHALL BE FREE OF HOLES, CRACKS, GAPS, AND/OR OTHER PERMEABLE AREAS THAT MAY ALLOW FOR THE DISCHARGE OF POLLUTANTS.
 - ALL TRASH RECEPTACLES ON SITE SHALL BE EMPTIED AT A FREQUENCY AS TO ENSURE THAT THE TRASH REMAINS CONFINED TO THE RECEPTACLE.
 - ALL LOOSE TRASH AND LITTER ASSOCIATED WITH THE PROJECT MUST BE REMOVED AND PROPERLY DISCARDED ON A DAILY BASIS.
 - ALL PORTABLE TOILETS SHALL BE STAKED DOWN AT ALL TIMES USING U-SHAPED REBAR STAKES. THE PORTABLE TOILETS SHALL ALSO BE PLACED A MINIMUM DISTANCE OF 10 FEET FROM ALL IMPERVIOUS SURFACES, INCLUDING, BUT NOT LIMITED TO STREETS CURBS, GUTTERS, SIDEWALKS AND PARKING LOTS.
 - THE EROSION CONTROL SUPERVISOR SHALL MAINTAIN STRICT ADHERENCE TO THE LIMITS OF CONSTRUCTION AND PROPERTY LIMITS FOR ALL MATERIALS, VEHICLES AND EQUIPMENT. FAILURE TO ABIDE BY THIS REQUIREMENT MAY RESULT IN THE ISSUANCE OF A STOP WORK ORDER.
 - ALL CONSTRUCTION TRAFFIC MUST ENTER AND EXIT THE SITE THROUGH THE APPROVED ACCESS POINT(S). A VEHICLE TRACKING CONTROL PAD IS REQUIRED AT ALL APPROVED ACCESS POINTS TO THE SITE. EXCEPTIONS MAY BE CONSIDERED FOR CONSTRUCTION ACTIVITY OCCURRING IMMEDIATELY ADJACENT TO PAVED AREAS AND WHERE ALTERNATIVE BMPs ARE IMPLEMENTED. SUCH ACTIVITY MAY INCLUDE, BUT NOT BE LIMITED TO RESIDENTIAL CONSTRUCTION, UTILITY CONSTRUCTION, ETC.
 - NO PERMANENT SLOPES GREATER THAN 3:1 ARE ALLOWED.
 - ALL PERMANENT SLOPES STEEPER THAN 4:1 (HORIZONTAL TO VERTICAL) SHALL REQUIRE EROSION CONTROL BLANKET(S). TEMPORARY SLOPES IN TEMPORARY SEDIMENT BASINS THAT ARE STEEPER THAN 4:1 MAY REQUIRE EROSION CONTROL BLANKETS.
 - THE EROSION CONTROL SUPERVISOR SHALL BE RESPONSIBLE FOR CORRECTING ANY ADVERSE IMPACTS THAT OCCUR TO NEIGHBORING PROPERTIES. THE EROSION CONTROL SUPERVISOR MUST OBTAIN PERMISSION FROM LAND OWNERS PRIOR TO ENTERING SUCH PROPERTY.
 - A WATER SOURCE SHALL BE AVAILABLE ONSITE DURING CONSTRUCTION ACTIVITIES, AND UTILIZED TO MINIMIZE FUGITIVE DUST. ALTERNATIVE BMPs MAY BE REQUIRED IF INITIAL ATTEMPTS TO SUPPRESS DUST ARE UNSUCCESSFUL.

- NO CHANGES ARE TO BE MADE TO THIS DRAWING WITHOUT WRITTEN PERMISSION OF THE TOWN OF PARKER.
- ALL CHEMICAL OR HAZARDOUS MATERIAL SPILLS, INCLUDING CONCRETE WASHOUT WATER, WHICH MAY ENTER WATERS OF THE STATE OF COLORADO, WHICH INCLUDES BUT ARE NOT LIMITED TO, SURFACE WATER, GROUND WATER, DRY GULLIES OR STORM SEWERS LEADING TO SURFACE WATER, SHALL BE IMMEDIATELY REPORTED TO THE COLORADO DEPARTMENT OF PUBLIC HEALTH AND ENVIRONMENT (CDPHE) PER 25-B-601, AND THE TOWN OF PARKER. RELEASES OF PETROLEUM PRODUCTS AND CERTAIN HAZARDOUS SUBSTANCES LISTED UNDER THE FEDERAL CLEAN WATER ACT (40 CFR PART 116) MUST BE REPORTED TO THE NATIONAL RESPONSE CENTER AND THE CDPHE. SPILLS THAT POSE AN IMMEDIATE SAFETY HAZARD SHALL BE REPORTED TO 911.
 - THE CLEANING OF CONCRETE TRUCKS AND EQUIPMENT IS RESTRICTED TO THE APPROVED CONCRETE WASHOUT LOCATION ON THE JOB SITE. CONCRETE WASH WATER SHALL NOT BE DISCHARGED TO STATE WATERS OR STORM SEWER SYSTEMS.
 - VEHICLE AND EQUIPMENT DEGREASING IS PROHIBITED ON THE JOB SITE.
 - ALL DEWATERING ON SITE SHALL BE COORDINATED WITH THE TOWN'S INSPECTOR. A STATE PERMIT MAY BE REQUIRED FOR DEWATERING. THE EROSION CONTROL SUPERVISOR IS RESPONSIBLE FOR OBTAINING AND ADHERING TO ALL APPLICABLE PERMITS.
 - HYDRAULIC SEEDING AND/OR HYDRAULIC MULCHING ARE ONLY ALLOWED IN AREAS UNDER TEMPORARY OR PERMANENT IRRIGATION OR FOR THE PURPOSE OF TEMPORARY SOIL STABILIZATION.
 - APPLICABLE CONSTRUCTION BMPs SHALL REMAIN IN PLACE AND PROPERLY MAINTAINED UNTIL ALL LANDSCAPING HAS BEEN INSTALLED AND THE DESIRABLE VEGETATION HAS REACHED A POINT IN WHICH EROSION AND SEDIMENTATION IS NO LONGER A CONCERN AS DETERMINED BY THE TOWN'S INSPECTOR.
 - GRADING SECURITY RELEASE REQUIREMENTS:
 - DEVELOPABLE PROPERTY: IN ORDER FOR THE GRADING SECURITY TO BE RELEASED, THE SITE MUST MEET ITEMS A-H OR ITEM I (BELOW).
 - ALL SOIL-DISTURBING ACTIVITIES ASSOCIATED WITH THE GRADING PERMIT HAVE PERMANENTLY CEASED.
 - UNIFORM PERENNIAL VEGETATION COVER HAS BEEN ESTABLISHED WITH AN INDIVIDUAL PLANT DENSITY OF AT LEAST SEVENTY PERCENT (70%) OF PRE-DISTURBANCE LEVELS.
 - ALL CBMPs HAVE BEEN PROPERLY REMOVED FROM THE SITE.
 - IF ANY EROSION IS PRESENT, IT IS INSIGNIFICANT AND IS NOT LEAVING THE SITE AND/OR LEADING INTO ANY ON-SITE DRAINAGE INFRASTRUCTURE THAT MAY CONVEY SURFACE WATER OFF SITE.
 - WEEDS REPRESENT NO MORE THAN FIFTY PERCENT (50%) OF THE TOTAL VEGETATION ON THE SITE.
 - NO WEEDS ARE PRESENT FROM LIST A OF THE COLORADO NOXIOUS WEED LIST, AS AMENDED.
 - THE SITE IS PREDOMINANTLY FREE OF WEEDS FROM LIST B OF THE COLORADO NOXIOUS WEED LIST, AS AMENDED.
 - WEEDS ARE EVENLY DISTRIBUTED THROUGHOUT THE SITE WITH NO LARGE CONCENTRATIONS PRESENT.
 - A NEW GRADING PERMIT AND REPLACEMENT SECURITY HAS BEEN SUBMITTED AND APPROVED.
 - FOR THE APPLICABLE SITE OR ASSIGNMENT AS PROVIDED BY SECTION 11.10.150 OF THE TOWN OF PARKER MUNICIPAL CODE. IT IS THE PROPERTY OWNER'S OBLIGATION AT THE TIME OF CLOSING TO ENSURE THAT THE NEW SITE OWNER HAS PROVIDED THE TOWN WITH A REPLACEMENT SECURITY.

- NO CHANGES ARE TO BE MADE TO THIS DRAWING WITHOUT WRITTEN PERMISSION OF THE TOWN OF PARKER.
- NONDEVELOPABLE PROPERTY: IN ORDER FOR THE GRADING SECURITY TO BE RELEASED, THE SITE MUST MEET ITEMS A-H AND J, OR ITEMS I AND J (BELOW).
 - ALL SOIL-DISTURBING ACTIVITIES ASSOCIATED WITH THE GRADING PERMIT HAVE PERMANENTLY CEASED.
 - ALL CBMPs HAVE BEEN PROPERLY REMOVED FROM THE SITE.
 - EROSION IS NEGLIGIBLE, IF EVEN PRESENT.
 - THE VEGETATION REPRESENTS A PERENNIAL STAND OF A DENSE, UNIFORM SURFACE OF GRASS WITH NO AREA GREATER THAN ONE (1) SQUARE FOOT THAT IS BARREN OF DESIRABLE VEGETATION. INFREQUENT, WIDELY SCATTERED AREAS WHERE NATIVE VEGETATION HAS NOT YET TAKEN HOLD MAY QUALIFY FOR ACCEPTANCE AT THE DISCRETION OF THE TOWN.
 - WEEDS REPRESENT NO MORE THAN TEN PERCENT (10%) OF THE TOTAL VEGETATION ON SITE.
 - NO WEEDS ARE PRESENT FROM LIST A OF THE COLORADO NOXIOUS WEED LIST, AS AMENDED.
 - THE SITE IS PREDOMINANTLY FREE OF WEEDS FROM LIST B OF THE COLORADO NOXIOUS WEED LIST, AS AMENDED.
 - WEEDS ARE EVENLY DISTRIBUTED THROUGHOUT THE SITE WITH NO LARGE CONCENTRATIONS PRESENT.
 - A NEW GRADING PERMIT AND REPLACEMENT SECURITY HAS BEEN SUBMITTED AND APPROVED FOR THE APPLICABLE SITE OR THE GRADING PERMIT HAS BEEN ASSIGNED AS PROVIDED BY SECTION 11.10.150 OF THE TOWN OF PARKER MUNICIPAL CODE. IT IS THE PROPERTY OWNER'S OBLIGATION, AT THE TIME OF CLOSING ON THE SALE OF A SITE THAT IS SUBJECT TO A GRADING PERMIT, TO ENSURE THAT THE NEW PROPERTY OWNER HAS PROVIDED THE TOWN WITH A REPLACEMENT SECURITY.
 - ALL KNOWN DRAINAGE ISSUES ASSOCIATED WITH THE PROJECT HAVE BEEN MITIGATED AND A SUFFICIENT AMOUNT OF TIME HAS PASSED TO ENSURE THAT SUCH ISSUES HAVE BEEN CORRECTED. THIS REQUIREMENT DOES NOT INCLUDE THOSE DRAINAGE ISSUES ORIGINATING ON RESIDENTIAL LOTS.
 - NOXIOUS WEEDS MUST BE CONTROLLED AS PROVIDED UNDER STATE LAW AND SECTION 6.01.260 OF THE TOWN OF PARKER MUNICIPAL CODE. FAILURE TO CONTROL NOXIOUS WEEDS ON THE SITE MAY CONSTITUTE A NUISANCE, SUBJECT TO THE PENALTIES CONTAINED IN THE CODE.
 - DEFINITIONS:

DEVELOPABLE PROPERTY MEANS ANY LAND THAT HAS BEEN GRADED AND IS PART OF A PLATTED LOT OR PLATTED TRACT OF RECORD, THAT WAS PLATTED FOR FUTURE DEVELOPMENT, INCLUDING RESIDENTIAL HOME CONSTRUCTION OR PUBLIC IMPROVEMENTS.

NONDEVELOPABLE PROPERTY MEANS LAND THAT HAS BEEN GRADED AND WILL NOT BE FURTHER DISTURBED AS PART OF ANY FUTURE DEVELOPMENT. EXAMPLES INCLUDE, BUT ARE NOT LIMITED TO: PARKS, OPEN SPACE, HOMEOWNER ASSOCIATION OR BUSINESS ASSOCIATION PLATTED TRACTS, DETENTION PONDS AND DRAINAGEWAYS.
 - FAILURE TO COMPLY WITH ANY OF THE REQUIREMENTS DESCRIBED IN THIS SECTION MAY RESULT IN THE ISSUANCE OF: A NOTICE OF INTENT TO ISSUE A STOP WORK ORDER, A STOP WORK ORDER AND/OR THE REMEDIES/PENALTIES DESCRIBED IN CHAPTER 11.10 OF THE TOWN OF PARKER MUNICIPAL CODE.
 - ANY PERSON CONVICTED OF VIOLATING ANY PROVISION OF THE TOWN OF PARKER, GRADING & EARTH MOVEMENT SECTION OF THE MUNICIPAL CODE SHALL BE GUILTY OF A MISDEMEANOR AND, UPON CONVICTION, BE PUNISHED BY A FINE OF NOT MORE THAN FOUR HUNDRED NINETY NINE DOLLARS (\$499.00) FOR EACH SEPARATE OFFENSE. EACH DAY A VIOLATION CONTINUES SHALL CONSTITUTE A SEPARATE OFFENSE. THE TOWN ALSO MAY SEEK IN MUNICIPAL COURT AN INJUNCTION, ABATEMENT, RESTITUTION OR ANY OTHER REMEDY TO PREVENT, ENJOIN, ABATE OR REMOVE THE VIOLATION. A PERSON CONVICTED OF VIOLATING CHAPTER 11.10 OF THE TOWN OF PARKER MUNICIPAL CODE SHALL BE LIABLE FOR THE ACTUAL COST OF REHABILITATING THE PROPERTY. THE COSTS MAY BE RECOVERED AS RESTITUTION IN MUNICIPAL COURT PROCEEDINGS OR IN A SEPARATE CIVIL ACTION.
 - THE TOWN OF PARKER RESERVES THE RIGHT TO ALLOW MODIFICATIONS AND SUBSTITUTIONS TO THE CBMP NOTES AND DETAILS WHEN SUCH MODIFICATIONS AND SUBSTITUTIONS OFFER THE SAME LEVEL OF PROTECTION AS THE STANDARD REQUIREMENTS BASED UPON THE SPECIFIC SITUATION, AS DETERMINED BY TOWN STAFF. DUE TO THE INSIGNIFICANCE AND REGULARITY OF SUCH MODIFICATIONS AND SUBSTITUTIONS, THE APPROVAL OF SUCH VARIATIONS MAY NOT BE DOCUMENTED BY TOWN STAFF.



CBMP
CONSTRUCTION BEST MANAGEMENT PRACTICES
GEN NOTES
2 OF 4
Oct. 2013

CBMP
CONSTRUCTION BEST MANAGEMENT PRACTICES
GEN NOTES
3 OF 4
Oct. 2013

CBMP
CONSTRUCTION BEST MANAGEMENT PRACTICES
GEN NOTES
4 OF 4
Oct. 2013

CBMP
CONSTRUCTION BEST MANAGEMENT PRACTICES
CD
1 OF 3
Oct. 2013

NEW HORIZON ACADEMY - DOUGLAS 234 FILING, NO. 6 PARKER, CO

This drawing is an instrument of service and shall remain the property of Short Elliott Hendrickson, Inc. (SEH). This drawing and the concepts and ideas contained herein shall not be used, reproduced, revised, or retained without the express written approval of SEH.

Substitution or distribution of this drawing to meet official or regulatory requirements or for other purposes in connection with the project is not to be construed as publication in derogation of any of the rights of SEH.

SEH Project Checked By Drawn By
NHOAC 156217 DRH AMP

Project Status Issue Date
CONSTRUCTION SET 6/25/2021

Revision	Issue
Rev. #	Description
Date	

CBMP DETAILS

C3.2

Save: 6/4/2021 9:54 PM apopp Plot: 6/25/2021 1:56 AM X:\K\WIN\H\OAC\156217\5-final-dgn\51-drawings\10-Civil\cand\gshsheet\Site Plans\C3_NHOAC\156217_Erosion Control Plan.dwg



Owner
New Horizon Academy
3405 Annapolis Lane
N., Suite 100
Plymouth, MN 55447
763.557.1111

Architect
Short Elliott Hendrickson, Inc.
2000 South Colorado Boulevard
Tower One, Suite 6000
Denver, Colorado 80222
720.540.6800

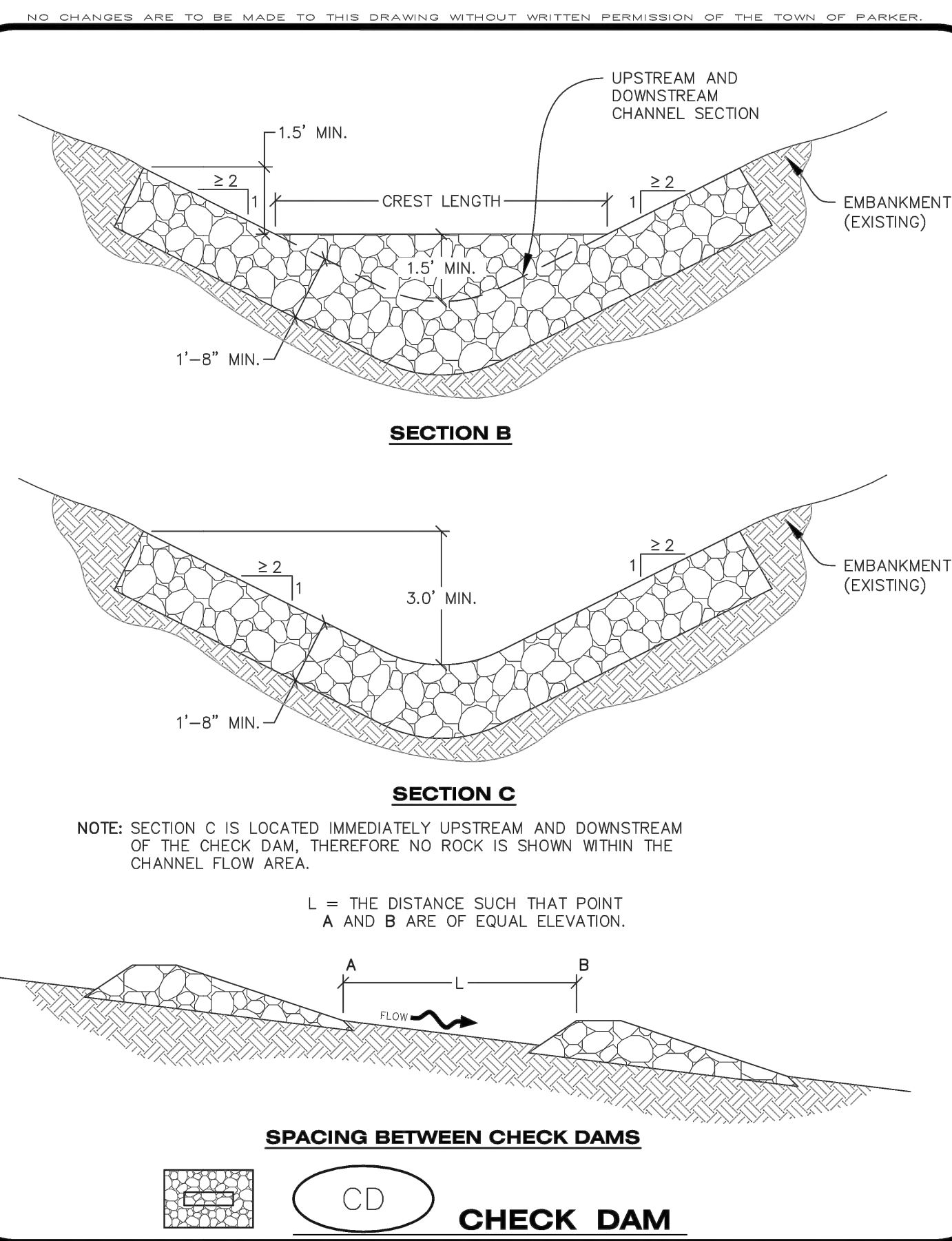
Landscape Architect
Short Elliott Hendrickson, Inc.
10901 Red Circle Drive
Suite 300
Minnetonka, MN 55343
952.912.2600

Civil Engineer
Short Elliott Hendrickson, Inc.
2000 South Colorado Boulevard
Tower One, Suite 6000
Denver, Colorado 80222
720.540.6800

Structural Engineer
Short Elliott Hendrickson, Inc.
3535 Vadnais Center Drive
St. Paul, MN 55110
651.490.2000

Mechanical Engineer
Short Elliott Hendrickson, Inc.
3535 Vadnais Center Drive
St. Paul, MN 55110
651.490.2000

Electrical Engineer
Short Elliott Hendrickson, Inc.
3535 Vadnais Center Drive
St. Paul, MN 55110
651.490.2000



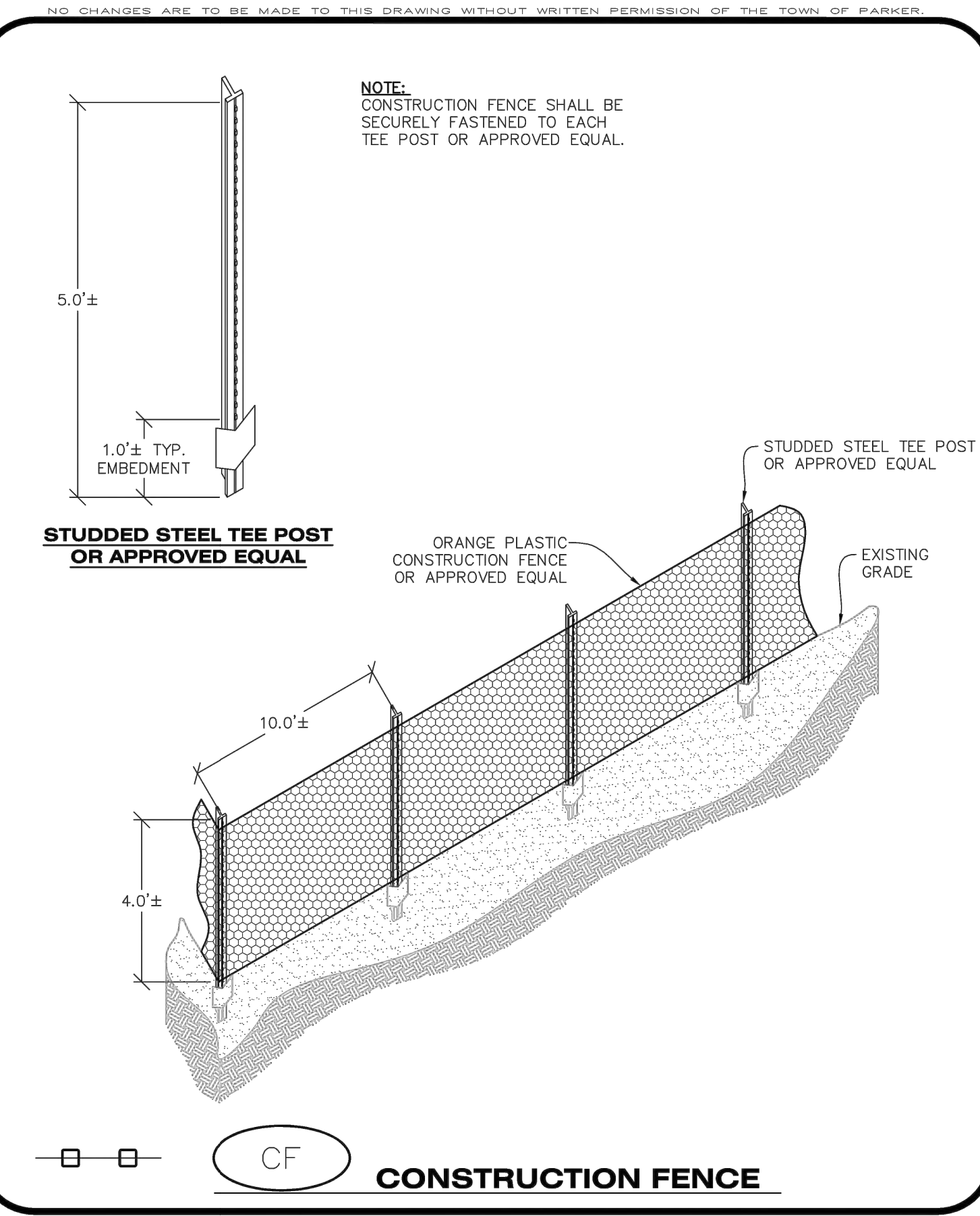
NO CHANGES ARE TO BE MADE TO THIS DRAWING WITHOUT WRITTEN PERMISSION OF THE TOWN OF PARKER.

CHECK DAM INSTALLATION NOTES

- SEE PLAN VIEW FOR LOCATION(S) OF CHECK DAMS.
- CHECK DAMS SHOWN ON CBMP PLAN SHALL BE INSTALLED WHEN DIRECTED BY THE TOWN'S INSPECTOR.
- RIPRAP UTILIZED FOR CHECK DAMS SHALL HAVE A D50 MEDIAN STONE SIZE OF 12".
- RIPRAP PAD SHALL BE TRENCHED INTO THE GROUND A MINIMUM OF 1'-8".
- THE MAXIMUM SPACING BETWEEN CHECK DAMS SHOULD BE SUCH THAT THE BOTTOM OF THE UPSTREAM DAM IS AT THE SAME ELEVATION AS THE TOP OF THE DOWNSTREAM DAM AS SHOWN IN THE DETAIL.

CHECK DAM INSPECTION AND MAINTENANCE NOTES

- THE EROSION CONTROL SUPERVISOR SHALL REGULARLY INSPECT THE CHECK DAMS.
- ACCUMULATED SEDIMENT SHALL BE REMOVED ONCE SEDIMENT HAS REACHED A DEPTH EQUAL TO 1/2 THE HEIGHT OF THE CREST OR AS OTHERWISE DIRECTED BY THE TOWN'S INSPECTOR.
- CHECK DAMS SHALL REMAIN IN PLACE AND PROPERLY MAINTAINED UNTIL VEGETATIVE COVER HAS REACHED A CONSISTENT DENSITY OF AT LEAST 70% OF FULL VEGETATIVE COVER AND EROSION AND SEDIMENTATION IS NO LONGER A POSSIBILITY AS DETERMINED BY THE TOWN'S INSPECTOR OR AS OTHERWISE DIRECTED BY THE TOWN'S INSPECTOR.
- WHEN CHECK DAMS ARE REMOVED, THE TOWN'S INSPECTOR MAY REQUIRE EXCAVATIONS TO BE FILLED WITH SUITABLE COMPACTED TOPSOIL AND ANY DISTURBED AREAS ASSOCIATED WITH THE INSTALLATION, MAINTENANCE, AND/OR REMOVAL OF THE CHECK DAMS BE ROUGHENED, SEEDED, MULCHED, AND CRIMPED PER THE TOWN'S SPECIFICATIONS (SEE DETAIL SMC).
- IN SOME INSTANCES, CHECK DAMS MAY REMAIN IN PLACE PERMANENTLY.



NO CHANGES ARE TO BE MADE TO THIS DRAWING WITHOUT WRITTEN PERMISSION OF THE TOWN OF PARKER.

CONSTRUCTION FENCE INSTALLATION NOTES

- THE CONSTRUCTION FENCE SHALL BE SECURELY FASTENED TO EACH POST OR APPROVED EQUAL.

CONSTRUCTION FENCE INSPECTION AND MAINTENANCE NOTES

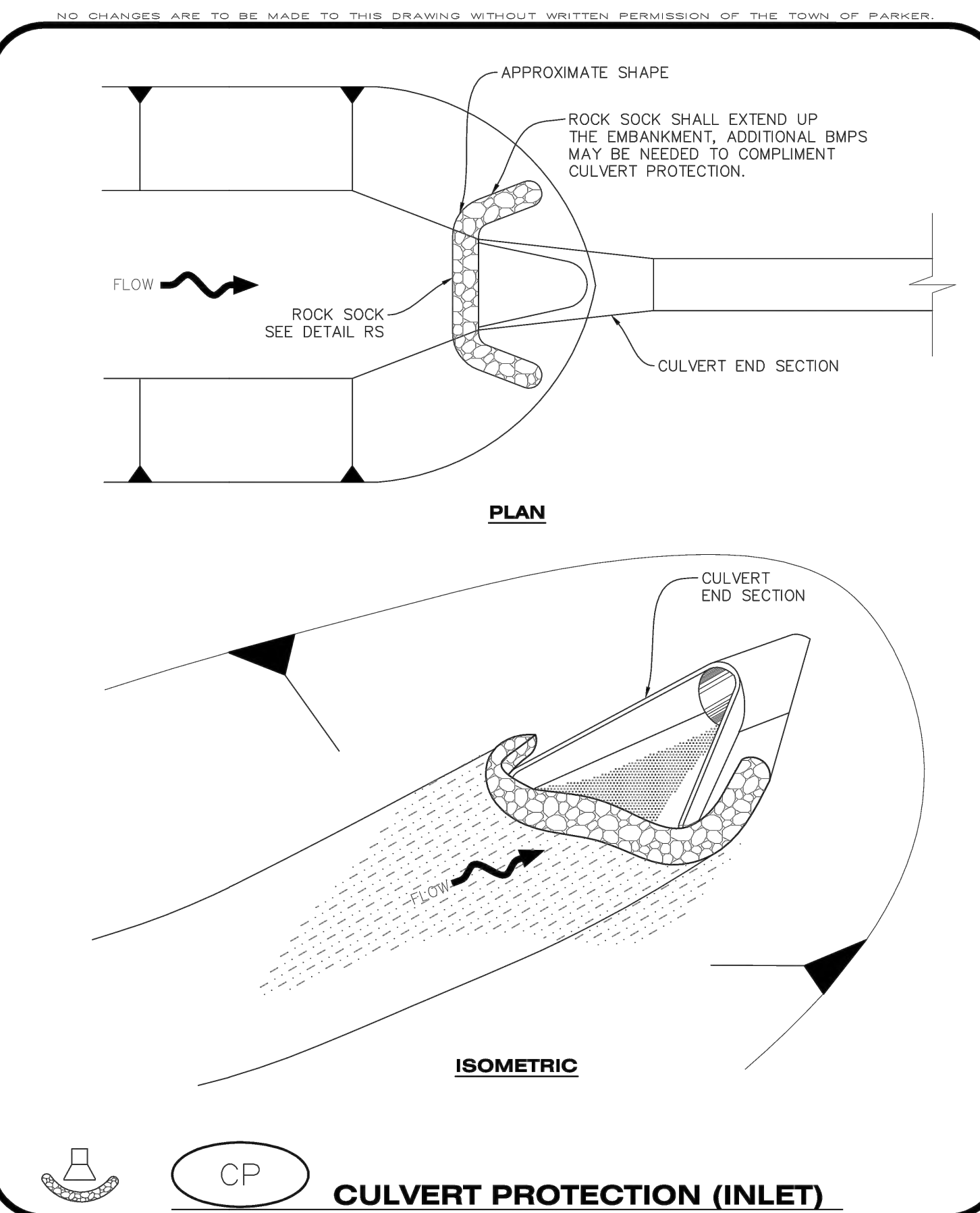
- THE EROSION CONTROL SUPERVISOR SHALL REGULARLY INSPECT THE CONSTRUCTION FENCE AND MAKE ANY NECESSARY REPAIRS.
- CONSTRUCTION FENCE SHALL BE REPAIRED WHEN THE FENCING MATERIAL FALLS OUT OF COMPLIANCE WITH THE NOTES AND DETAILS.

CBMP
CONSTRUCTION BEST MANAGEMENT PRACTICES
CD
2 OF 3
Oct. 2013

CBMP
CONSTRUCTION BEST MANAGEMENT PRACTICES
CD
3 OF 3
Oct. 2013

CBMP
CONSTRUCTION BEST MANAGEMENT PRACTICES
CF
1 OF 2
Oct. 2013

CBMP
CONSTRUCTION BEST MANAGEMENT PRACTICES
CF
2 OF 2
Oct. 2013



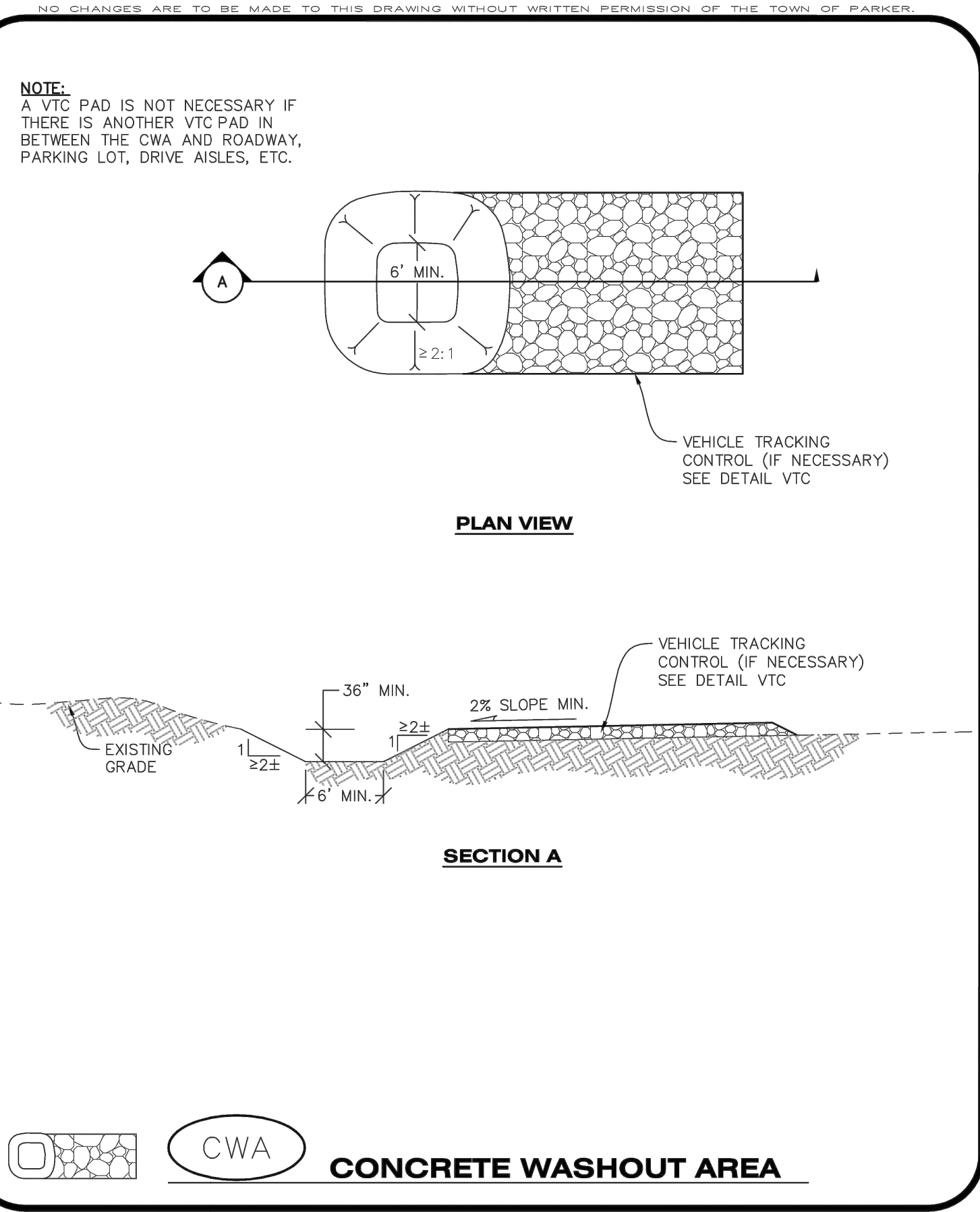
NO CHANGES ARE TO BE MADE TO THIS DRAWING WITHOUT WRITTEN PERMISSION OF THE TOWN OF PARKER.

CULVERT PROTECTION (INLET) INSTALLATION NOTES

- SEE PLAN VIEW FOR LOCATION(S) OF CULVERT PROTECTION (INLET).
- ROCK SOCK SHALL BE CONSTRUCTED ACCORDING TO THE DETAIL (SEE DETAIL RS).
- ROCK SOCK SHALL BE APPROXIMATELY 12" IN DIAMETER.
- ROCK SOCK SHALL EXTEND ABOVE THE FLOW LINE ELEVATION ON BOTH SIDES OF THE CULVERT END SECTION.

CULVERT PROTECTION (INLET) INSPECTION AND MAINTENANCE NOTES

- THE EROSION CONTROL SUPERVISOR SHALL REGULARLY INSPECT THE CULVERT PROTECTION (INLET).
- AT A MINIMUM, ACCUMULATED SEDIMENT SHALL BE REMOVED ONCE SEDIMENT HAS REACHED A DEPTH EQUAL TO 1/2 THE HEIGHT OF THE ROCK SOCK.
- CULVERT PROTECTION (INLET) IS TO REMAIN IN PLACE AND PROPERLY MAINTAINED UNTIL VEGETATIVE COVER HAS REACHED A CONSISTENT DENSITY OF AT LEAST 70% OF FULL VEGETATIVE COVER AND EROSION AND SEDIMENTATION IS NO LONGER A POSSIBILITY AS DETERMINED BY THE TOWN'S INSPECTOR OR AS OTHERWISE DIRECTED BY THE TOWN'S INSPECTOR.
- WHEN THE CULVERT INLET PROTECTION IS REMOVED, THE TOWN'S INSPECTOR MAY REQUIRE ANY DISTURBED AREAS ASSOCIATED WITH THE INSTALLATION, MAINTENANCE, AND/OR REMOVAL OF THE CULVERT INLET PROTECTION TO BE ROUGHENED, SEEDED, MULCHED, AND CRIMPED PER THE TOWN'S SPECIFICATIONS (SEE DETAIL SMC).



NO CHANGES ARE TO BE MADE TO THIS DRAWING WITHOUT WRITTEN PERMISSION OF THE TOWN OF PARKER.

CONCRETE WASHOUT AREA INSTALLATION NOTES

- CONCRETE WASHOUT AREAS SHALL BE INSTALLED PRIOR TO ANY CONCRETE PLACEMENT ON SITE.
- A VEHICLE TRACKING CONTROL PAD IS REQUIRED AT THE ACCESS POINT TO ALL CONCRETE WASHOUT AREAS WHEN NO OTHER VTC PAD EXISTS IN BETWEEN THE CWA AND THE ROADWAY.
- IF GROUNDWATER IS ENCOUNTERED WHEN DIGGING THE PIT, A NEW LOCATION SHOULD BE SELECTED. IF NO OTHER LOCATION CAN BE FOUND, A ONE-PIECE IMPERVIOUS LINER SHALL BE REQUIRED ALONG THE BOTTOM AND SIDES OF THE SUBSURFACE PIT.

CONCRETE WASHOUT AREA INSPECTION AND MAINTENANCE NOTES

- THE EROSION CONTROL SUPERVISOR SHALL REGULARLY INSPECT THE CONCRETE WASHOUT AREA.
- CONCRETE WASHOUT MATERIALS SHALL BE REMOVED BEFORE ITS CAPACITY HAS BEEN REACHED.
- CONCRETE WASHOUT AREAS SHALL BE ENLARGED AS NECESSARY TO MAINTAIN CAPACITY FOR WASTED CONCRETE AND ASSOCIATED WASH WATER.
- CONCRETE WASHOUT WATER, WASTED PIECES OF CONCRETE AND ALL OTHER DEBRIS IN THE SUBSURFACE PIT SHALL BE TRANSPORTED FROM THE JOB SITE AS NECESSARY TO ENSURE ADEQUATE CAPACITY.
- CONCRETE WASHOUT AREAS SHALL REMAIN IN PLACE UNTIL ALL CONCRETE FOR THE PROJECT IS PLACED.
- WHEN CONCRETE WASHOUT AREAS ARE REMOVED, THE TOWN'S INSPECTOR MAY REQUIRE EXCAVATIONS TO BE FILLED WITH SUITABLE COMPACTED BACKFILL AND TOPSOIL, ANY DISTURBED AREAS ASSOCIATED WITH THE INSTALLATION, MAINTENANCE, AND/OR REMOVAL OF THE CONCRETE WASHOUT AREAS SHALL BE ROUGHENED, SEEDED, MULCHED, AND CRIMPED PER THE TOWN'S SPECIFICATIONS (SEE DETAIL SMC).

CBMP
CONSTRUCTION BEST MANAGEMENT PRACTICES
CP
1 OF 2
Oct. 2013

CBMP
CONSTRUCTION BEST MANAGEMENT PRACTICES
CP
2 OF 2
Oct. 2013

CBMP
CONSTRUCTION BEST MANAGEMENT PRACTICES
CWA
1 OF 2
Oct. 2013

CBMP
CONSTRUCTION BEST MANAGEMENT PRACTICES
CWA
2 OF 2
Oct. 2013

NEW HORIZON ACADEMY -
DOUGLAS 234 FILING, NO. 6
PARKER, CO

This drawing is an instrument of service and shall remain the property of Short Elliott Hendrickson, Inc. (SEH). This drawing and the concepts and ideas contained herein shall not be used, reproduced, revised, or retained without the express written approval of SEH.

SEH Project: NHOAC 156217
Checked By: DRH
Drawn By: AMP

Project Status: CONSTRUCTION SET
Issue Date: 6/25/2021

Revision Issue		
Rev. #	Description	Date

CBMP DETAILS

Save: 6/4/2021 9:54 PM apopp Plot: 6/25/2021 1:56 AM X:\KON\NHOAC\156217\5-final-dgn\51-drawings\10-civil\cadd\gishsheet\Site Plans\C3_NHOAC\156217_Erosion Control Plan.dwg



Owner
New Horizon Academy
3405 Annapolis Lane
N., Suite 100
Plymouth, MN 55447
763.557.1111

Architect
Short Elliott Hendrickson, Inc.
2000 South Colorado Boulevard
Tower One, Suite 6000
Denver, Colorado 80222
720.540.6800

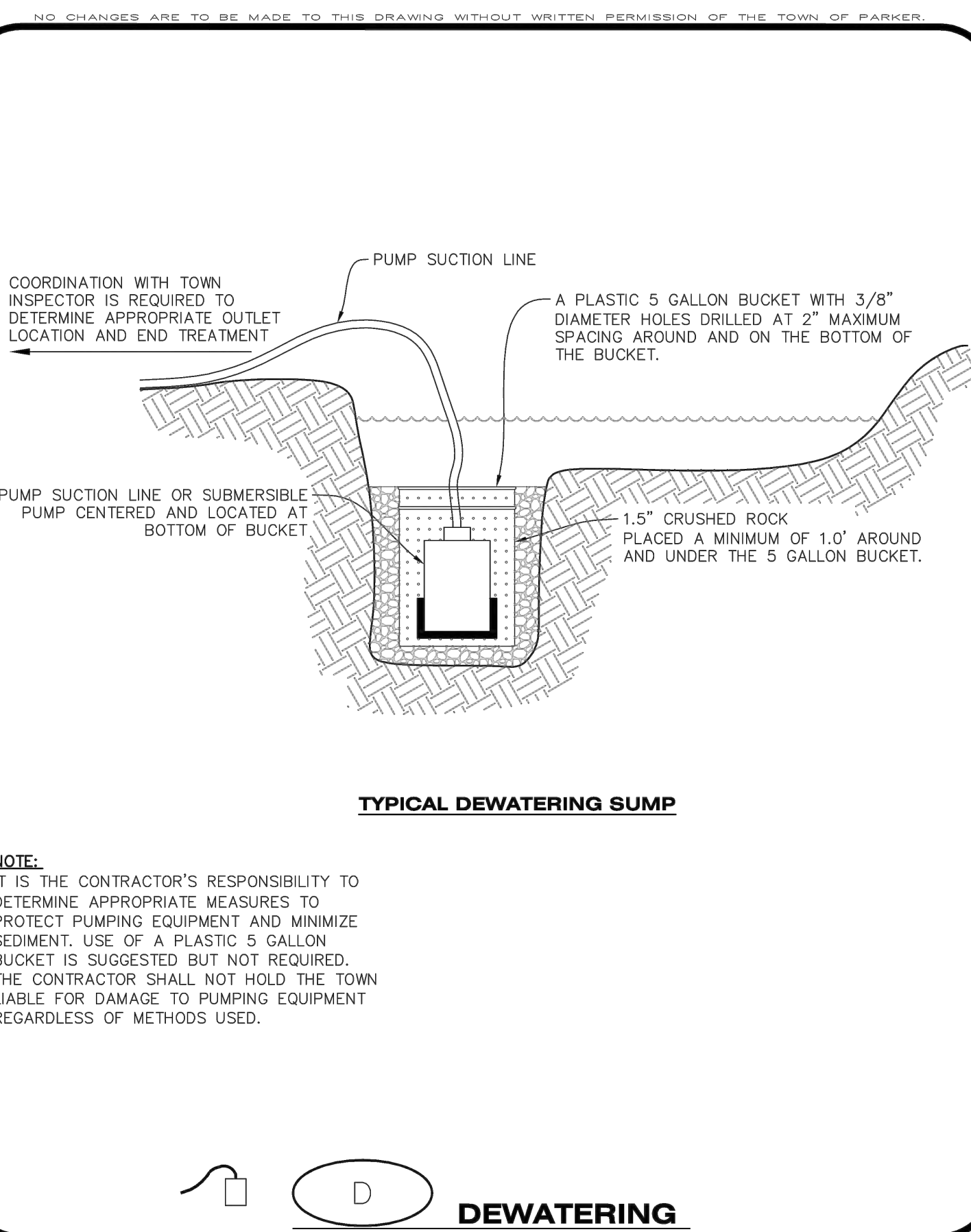
Landscape Architect
Short Elliott Hendrickson, Inc.
19001 Red Circle Drive
Suite 300
Minnetonka, MN 55343
952.912.2600

Civil Engineer
Short Elliott Hendrickson, Inc.
2000 South Colorado Boulevard
Tower One, Suite 6000
Denver, Colorado 80222
720.540.6800

Structural Engineer
Short Elliott Hendrickson, Inc.
3535 Vadnais Center Drive
St. Paul, MN 55110
651.490.2000

Mechanical Engineer
Short Elliott Hendrickson, Inc.
3535 Vadnais Center Drive
St. Paul, MN 55110
651.490.2000

Electrical Engineer
Short Elliott Hendrickson, Inc.
3535 Vadnais Center Drive
St. Paul, MN 55110
651.490.2000

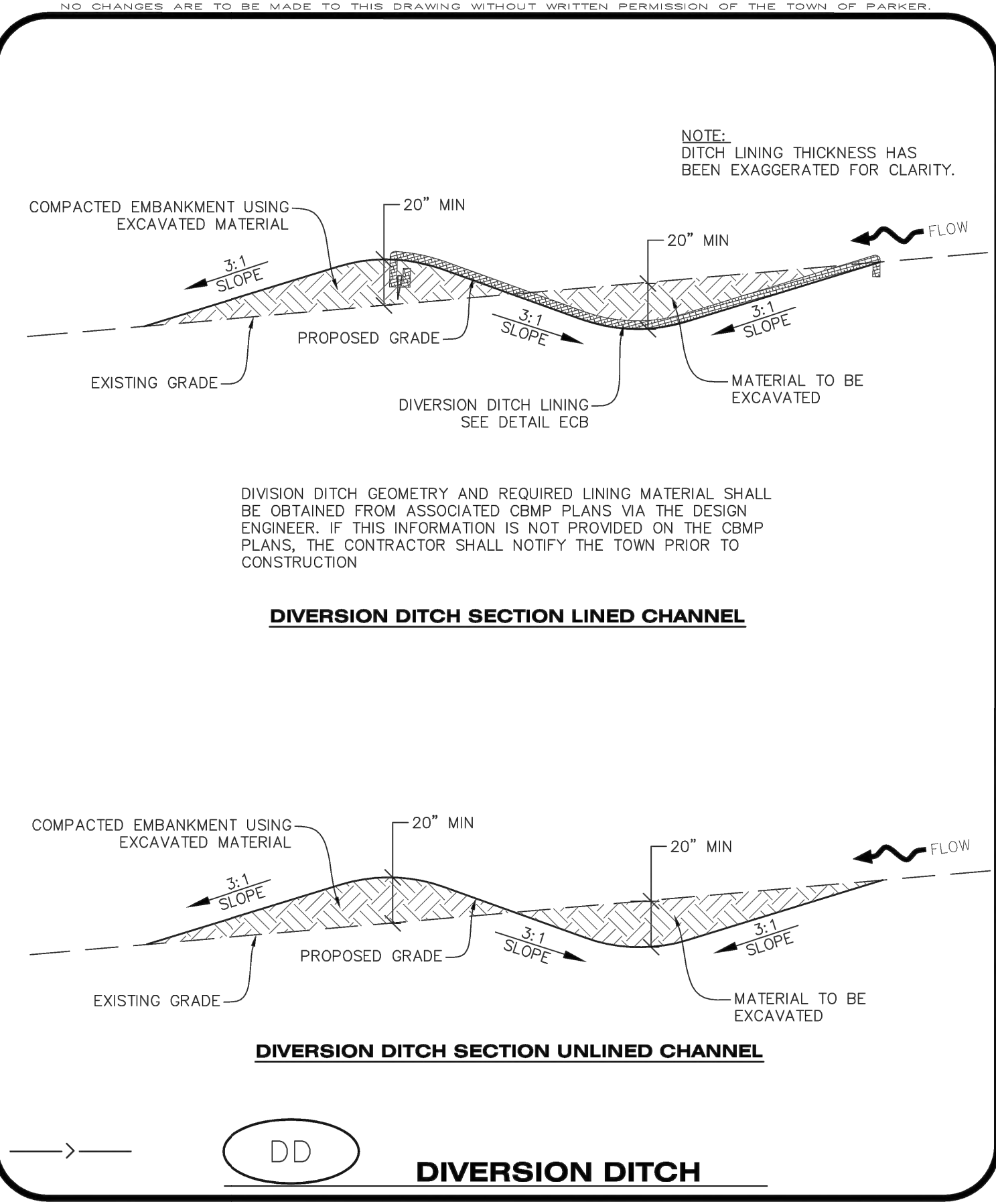


DEWATERING INSTALLATION NOTES

- IT IS THE EROSION CONTROL SUPERVISOR'S RESPONSIBILITY TO ENSURE THAT ALL DEWATERING IS PERFORMED IN ACCORDANCE WITH THE REQUIREMENTS OF THE COLORADO DEPARTMENT OF PUBLIC HEALTH AND ENVIRONMENT (CDPHE).

DEWATERING MAINTENANCE NOTES

- THE EROSION CONTROL SUPERVISOR SHALL INSPECT THE DEWATERING OPERATION TO ENSURE THAT THE DISCHARGE WATER IS DRAINING TO THE PROPER LOCATION(S) AND PERFORM ANY NECESSARY REPAIRS OR MAINTENANCE ON A FREQUENT BASIS.



DIVERSION DITCH INSTALLATION NOTES

- SEE THE PLAN VIEW FOR THE LOCATION(S) OF THE DIVERSION DITCHES.
- A PLASTIC LINER, RIPRAP, OR EROSION CONTROL BLANKET MAY BE NECESSARY TO PROTECT THE DIVERSION DITCH. THE REQUIRED LINING MATERIAL SHALL BE OBTAINED FROM THE CBMP PLANS VIA THE DESIGN ENGINEER.
- ALL MATERIAL EXCAVATED FROM THE DITCH MAY BE USED TO CONSTRUCT THE BERM ON THE DOWNHILL SIDE OF THE DITCH.
- THE DIVERSION DITCH SHALL BE A MINIMUM OF 20" DEEP WITH APPROX. 3:1 SIDE SLOPES. THE ADJACENT BERM SHALL BE A MINIMUM OF 20" IN HEIGHT WITH APPROX. 3:1 SIDE SLOPES. ALL EMBANKMENTS SHALL BE FIRMLY COMPACTED.
- THE DISCHARGE FROM THE DIVERSION DITCH SHALL BE DIRECTED TOWARDS AN APPROPRIATELY SIZED TEMPORARY SEDIMENT BASIN OR OTHER APPROVED AREA.

DIVERSION DITCH INSPECTION AND MAINTENANCE NOTES

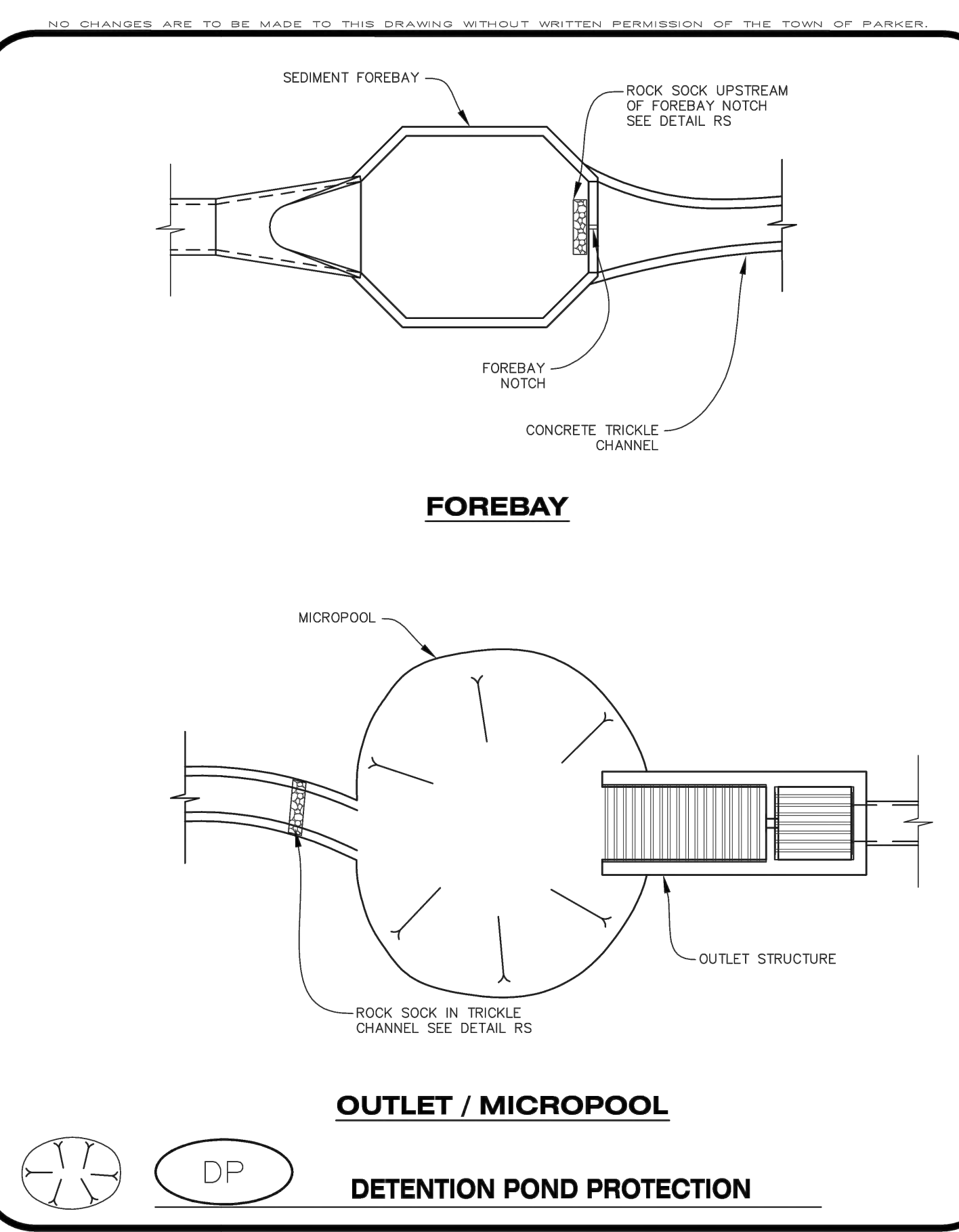
- THE EROSION CONTROL SUPERVISOR SHALL REGULARLY INSPECT THE DIVERSION DITCH.
- ACCUMULATED SEDIMENT SHALL BE REMOVED ONCE THE SEDIMENT HAS REACHED A DEPTH EQUAL TO 1/2 (10") THE CREST HEIGHT.
- DIVERSION DITCHES SHALL BE RE-GRADED FOLLOWING THE SIGNS OF MODERATE OR MORE SOIL EROSION OR ANY DAMAGE.
- DIVERSION DITCHES ARE TO REMAIN IN PLACE AND PROPERLY MAINTAINED UNTIL VEGETATIVE COVER HAS REACHED A CONSISTENT DENSITY OF AT LEAST 70% OF FULL VEGETATIVE COVER AND EROSION AND SEDIMENTATION IS NO LONGER A POSSIBILITY AS DETERMINED BY THE TOWN'S INSPECTOR OR AS OTHERWISE DIRECTED BY THE TOWN'S INSPECTOR. ALTERNATIVELY, THE DIVERSION DITCHES MAY BE REMOVED WHEN THE SITE'S TOPOGRAPHY CHANGES SUCH THAT SIGNIFICANT RUNOFF IS NO LONGER POSSIBLE. IN SOME INSTANCES, THE DIVERSION DITCHES MAY REMAIN IN PLACE PERMANENTLY.

CBMP
CONSTRUCTION BEST MANAGEMENT PRACTICES
D
1 OF 2
Oct. 2013

CBMP
CONSTRUCTION BEST MANAGEMENT PRACTICES
D
2 OF 2
Oct. 2013

CBMP
CONSTRUCTION BEST MANAGEMENT PRACTICES
DD
1 OF 2
Oct. 2013

CBMP
CONSTRUCTION BEST MANAGEMENT PRACTICES
DD
2 OF 2
Oct. 2013

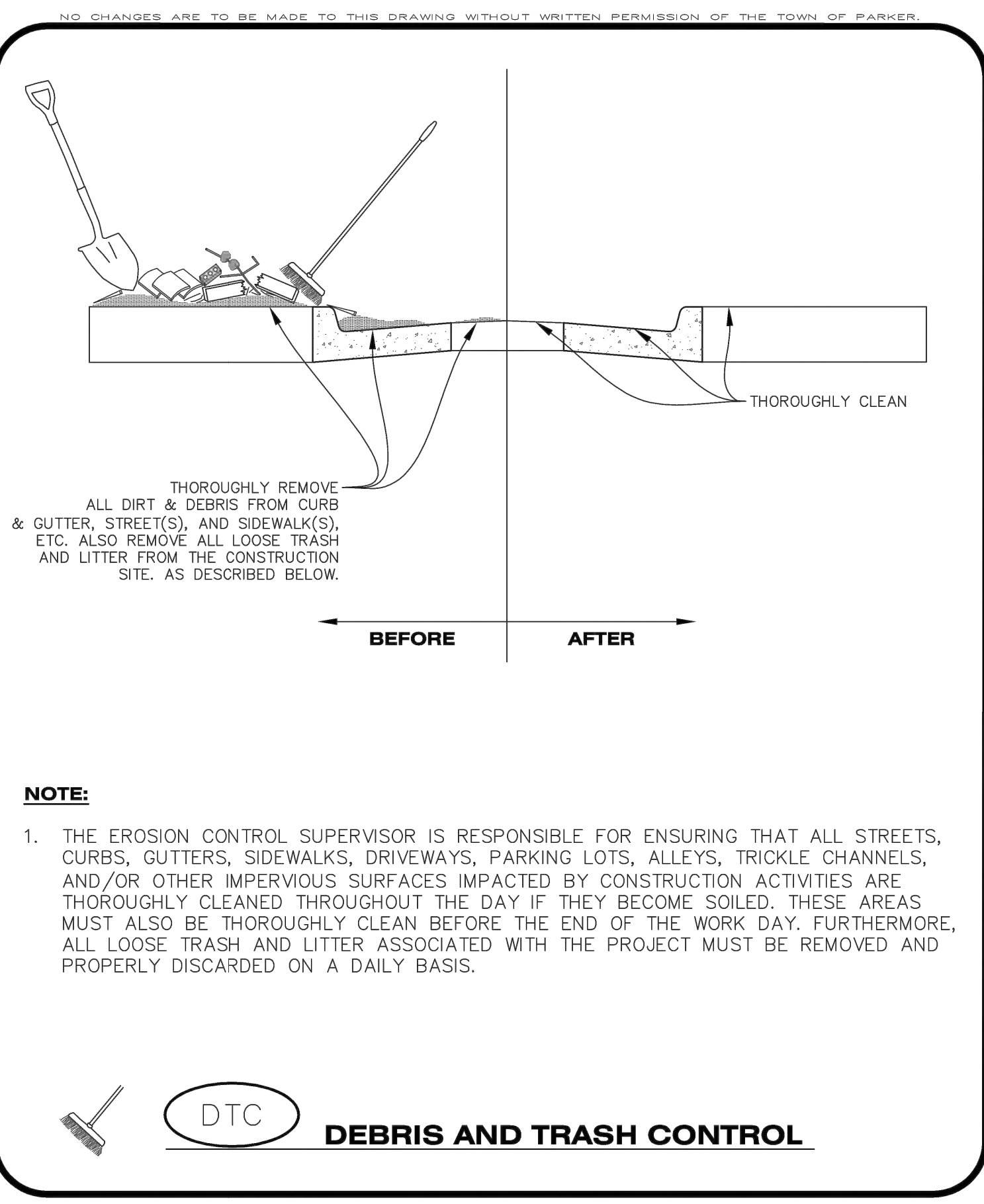


DETENTION POND PROTECTION INSTALLATION NOTES

- DETENTION POND PROTECTION SHALL BE INSTALLED IMMEDIATELY FOLLOWING THE CONSTRUCTION OF THE TRICKLE CHANNEL AND FOREBAY.
- CRUSHED ROCK SHALL BE 2.0"-3.0" IN SIZE WITH A FRACTURED FACE (ALL SIDES).
- ROCK SOCK FOR OUTLET STRUCTURE AND FOREBAY PROTECTION SHALL BE ONE CONTINUOUS PIECE (SEE DETAIL RS).

DETENTION POND PROTECTION INSPECTION AND MAINTENANCE NOTES

- THE EROSION CONTROL SUPERVISOR SHALL REGULARLY INSPECT THE OUTLET STRUCTURE PROTECTION.
- ACCUMULATED SEDIMENT SHALL BE REMOVED IMMEDIATELY.
- OUTLET STRUCTURE PROTECTION SHALL REMAIN IN PLACE AND PROPERLY MAINTAINED UNTIL VEGETATIVE COVER HAS REACHED A CONSISTENT DENSITY OF AT LEAST 70% OF FULL VEGETATIVE COVER AND EROSION AND SEDIMENTATION IS NO LONGER A POSSIBILITY AS DETERMINED BY THE TOWN'S INSPECTOR OR AS OTHERWISE DIRECTED BY THE TOWN'S INSPECTOR.



DEBRIS CONTROL NOTES:

- A COMBINATION OF SURFACE SCRAPING AND SWEEPING MAY BE NECESSARY TO PROPERLY CLEAN THESE AREAS.
- ALL CHEMICAL SPILLS AND/OR STAINS ON THE SITE SHALL BE CLEANED TO THE MAXIMUM EXTENT PRACTICABLE. IN SOME CASES IT MAY BE NECESSARY TO USE PRESSURIZED WATER AND A VAC-TRUCK.
- ON-SITE PERSONNEL, DELIVERY DRIVERS, ETC., SHOULD BE EDUCATED ON THE NEED FOR CONTINUAL DEBRIS AND TRASH CONTROL.

CBMP
CONSTRUCTION BEST MANAGEMENT PRACTICES
DP
1 OF 2
Oct. 2013

CBMP
CONSTRUCTION BEST MANAGEMENT PRACTICES
DP
2 OF 2
Oct. 2013

CBMP
CONSTRUCTION BEST MANAGEMENT PRACTICES
DTC
1 OF 2
Oct. 2013

CBMP
CONSTRUCTION BEST MANAGEMENT PRACTICES
DTC
2 OF 2
Oct. 2013

NEW HORIZON ACADEMY -
DOUGLAS 234 FILING, NO. 6
PARKER, CO

This drawing is an instrument of service and shall remain the property of Short Elliott Hendrickson, Inc. (SEH). This drawing and the concepts and ideas contained herein shall not be used, reproduced, revised, or retained without the express written approval of SEH.

Submission or distribution of this drawing to meet official or regulatory requirements or for other purposes in connection with the project is not to be construed as publication in derogation of any of the rights of SEH.

SEH Project NHOAC 156217
Checked By DRH
Drawn By AMP

Project Status CONSTRUCTION SET
Issue Date 6/25/2021

Revision Issue		
Rev. #	Description	Date

CBMP DETAILS

NO CHANGES ARE TO BE MADE TO THIS DRAWING WITHOUT WRITTEN PERMISSION OF THE TOWN OF PARKER.

START EROSION BLANKET AT THE TOP OF SLOPE AND EXTEND PAST THE TOE OF SLOPE. BLANKET SHALL BE PLACED PERPENDICULAR TO THE TOP AND BOTTOM OF THE SLOPE. COMPLETE SUBSEQUENT ROWS IN THE SAME MANNER, OVERLAPPING THE BLANKETS A MINIMUM OF 1.0'.

1 TOP SLOPE ANCHOR SLOT
2 BLANKET OVERLAPS
3 TOP SIDE SLOPE EDGE OF BLANKET
4 BLANKET TERMINAL ENDS

STAPLE PATTERN
NOTE: STAPLES SHALL BE INSTALLED PER MANUFACTURER'S RECOMMENDATION. IF MANUFACTURER INFO IS NOT AVAILABLE THEN ABOVE STAPLE PATTERN SHALL BE USED. WOODEN STAKES SHALL NOT BE USED FOR EROSION CONTROL BLANKET ON SLOPES.

NOTE: WHEN NECESSARY, ALL SEEDING SHALL BE COMPLETED PRIOR TO THE PLACEMENT OF EROSION CONTROL BLANKETS. PLEASE SEE DETAIL SMC FOR SEEDING, MULCHING, AND CRIMPING REQUIREMENTS.

ECB **EROSION CONTROL BLANKET (SLOPE)**

NO CHANGES ARE TO BE MADE TO THIS DRAWING WITHOUT WRITTEN PERMISSION OF THE TOWN OF PARKER.

TOE OF SLOPE ANCHOR TRENCH
TOP OF SLOPE ANCHOR TRENCH
JOINT ANCHOR TRENCH USED TO JOIN BLANKETS TOGETHER (LONGITUDINAL)

WOOD STAKE DETAIL
ALTERNATIVE WOOD STAKE PRODUCTS MAY BE USED WITH APPROVAL FROM THE TOWN.

STAKING PATTERN
NOTE: STAKES SHALL BE INSTALLED PER MANUFACTURER'S RECOMMENDATION. IF MANUFACTURER INFO IS NOT AVAILABLE THEN ABOVE STAKING PATTERN SHALL BE USED. STAPLES SHALL NOT BE USED FOR EROSION CONTROL BLANKET IN CHANNELS.

NOTE: WOOD STAKES SHALL BE INSTALLED SUCH THAT ONLY 1" IS EXPOSED ABOVE THE GROUND.
WHEN NECESSARY, ALL SEEDING SHALL BE COMPLETED PRIOR TO THE PLACEMENT OF EROSION CONTROL BLANKETS. PLEASE SEE DETAIL SMC FOR SEEDING, MULCHING, AND CRIMPING REQUIREMENTS.

ECB **EROSION CONTROL BLANKET (CHANNEL)**

NO CHANGES ARE TO BE MADE TO THIS DRAWING WITHOUT WRITTEN PERMISSION OF THE TOWN OF PARKER.

EROSION CONTROL BLANKET INSTALLATION NOTES

- SEE THE PLAN VIEW FOR THE LOCATION(S) OF THE EROSION CONTROL BLANKETS.
- EROSION CONTROL BLANKETS USED FOR CHANNEL PROTECTION SHALL BE PROPERLY SELECTED BY THE DESIGN ENGINEER BASED ON CURRENT AND FUTURE FLOW RATES WITHIN THE CHANNEL. BASED ON THESE CALCULATIONS, TURF REINFORCEMENT MATTING OR RIPRAP MAY BE NECESSARY IN LIEU OF EROSION CONTROL BLANKETS.
- IMMEDIATELY PRIOR TO BLANKET INSTALLATION, SOIL SURFACE SHALL BE SMOOTH, AND FREE OF ANY GAPS, VOIDS, WEEDS, ROCKS, STICKS, OR OTHER MISCELLANEOUS DEBRIS.
- EROSION CONTROL BLANKET SHALL THEN BE INSTALLED ACCORDING TO THE DETAILED DRAWINGS.
- ANY DAMAGED OR REMAINING STAPLES OR STAKES SHALL BE REMOVED FROM THE SITE.
- ALL EROSION CONTROL BLANKETS FOR SLOPE PROTECTION INSTALLED IN THE TOWN SHALL BE DOUBLE NET, STRAW OR EXCELSIOR.

MANUFACTURER	PRODUCT NAME
NORTH AMERICAN GREEN	S150
APPROVED EQUAL	APPROVED EQUAL

EROSION CONTROL BLANKET MAINTENANCE NOTES

- THE EROSION CONTROL SUPERVISOR SHALL REGULARLY INSPECT THE EROSION CONTROL BLANKETS AND MAKE ANY NECESSARY REPAIRS.

IPAN **INLET PROTECTION FOR AREA INLETS NOT IN PAVEMENT**

NO CHANGES ARE TO BE MADE TO THIS DRAWING WITHOUT WRITTEN PERMISSION OF THE TOWN OF PARKER.

THIS METHOD OF INLET PROTECTION SHALL NOT BE USED ON INLETS RECEIVING SIGNIFICANT FLOWS, SUCH AS IN CERTAIN SWALES/CHANNELS OR HIGHWAY MEDIANS. INLET PROTECTION FOR AREA INLETS IN PAVEMENT (SEE DETAIL IPAP) SHALL BE USED IN THESE CONDITIONS.

AREA INLET WITH CONCRETE APRON PLAN VIEW
AREA INLET PLAN VIEW

SECTION A
SECTION B

ISOMETRIC
ISOMETRIC

IPAN **INLET PROTECTION FOR AREA INLETS NOT IN PAVEMENT**

CONSTRUCTION BEST MANAGEMENT PRACTICES
CBMP
1 OF 3
Oct. 2013

CONSTRUCTION BEST MANAGEMENT PRACTICES
CBMP
2 OF 3
Oct. 2013

CONSTRUCTION BEST MANAGEMENT PRACTICES
CBMP
3 OF 3
Oct. 2013

CONSTRUCTION BEST MANAGEMENT PRACTICES
CBMP
1 OF 1
Oct. 2013

NO CHANGES ARE TO BE MADE TO THIS DRAWING WITHOUT WRITTEN PERMISSION OF THE TOWN OF PARKER.

AREA INLET PROTECTION INSTALLATION NOTES

- SEE PLAN VIEW FOR LOCATION(S) OF AREA INLET PROTECTION.
- THE AREA INLET PROTECTION SHOWN ON CBMP PLANS SHALL BE INSTALLED ON EXISTING INLETS PRIOR TO ANY LAND DISTURBING ACTIVITIES OR IMMEDIATELY AFTER THE INSTALLATION OF NEW INLETS. AN INTERIM STYLE OF INLET PROTECTION MAY BE ALLOWED UNTIL THE INSTALLATION OF THE GUTTER AND/OR PAVEMENT.

AREA INLET PROTECTION INSPECTION AND MAINTENANCE NOTES

- THE EROSION CONTROL SUPERVISOR SHALL REGULARLY INSPECT THE AREA INLET PROTECTION.
- AREA INLET PROTECTION SHALL REMAIN IN PLACE AND PROPERLY MAINTAINED UNTIL VEGETATIVE COVER HAS REACHED A CONSISTENT DENSITY OF AT LEAST 70% OF FULL VEGETATIVE COVER AND EROSION AND SEDIMENTATION IS NO LONGER A POSSIBILITY AS DETERMINED BY THE TOWN'S INSPECTOR OR AS OTHERWISE DIRECTED BY THE TOWN'S INSPECTOR.
- WHEN THE AREA INLET PROTECTION IS REMOVED, ANY DISTURBED AREAS ASSOCIATED WITH THE INSTALLATION, MAINTENANCE, AND/OR REMOVAL OF THE AREA INLET PROTECTION MAY NEED TO BE ROUGHENED, SEEDED, MULCHED, AND CRIMPED PER THE TOWN'S SPECIFICATIONS (SEE DETAIL SMC).
- ACCUMULATED SEDIMENT SHALL BE REMOVED AS SOON AS POSSIBLE, IMMEDIATELY IN MOST CASES.

IPAP **INLET PROTECTION FOR AREA INLETS IN PAVEMENT**

NO CHANGES ARE TO BE MADE TO THIS DRAWING WITHOUT WRITTEN PERMISSION OF THE TOWN OF PARKER.

AREA INLET WITH CONCRETE APRON PLAN VIEW
AREA INLET PLAN VIEW

SECTION A
SECTION B

ISOMETRIC

IPAP **INLET PROTECTION FOR AREA INLETS IN PAVEMENT**

NO CHANGES ARE TO BE MADE TO THIS DRAWING WITHOUT WRITTEN PERMISSION OF THE TOWN OF PARKER.

PLAN VIEW
ISOMETRIC

PLAN VIEW FOR MULTIPLE ROCK SOCKS

IPCOG **INLET PROTECTION, CURB ON-GRADE, TYPE R INLET**

NO CHANGES ARE TO BE MADE TO THIS DRAWING WITHOUT WRITTEN PERMISSION OF THE TOWN OF PARKER.

ELEVATION
BASE

TUBULAR TRAFFIC MARKER DETAIL

IPCOG **INLET PROTECTION, CURB ON-GRADE, TYPE R INLET**

CONSTRUCTION BEST MANAGEMENT PRACTICES
CBMP
1 OF 1
Oct. 2013

CONSTRUCTION BEST MANAGEMENT PRACTICES
CBMP
1 OF 1
Oct. 2013

CONSTRUCTION BEST MANAGEMENT PRACTICES
CBMP
1 OF 3
Oct. 2013

CONSTRUCTION BEST MANAGEMENT PRACTICES
CBMP
2 OF 3
Oct. 2013

NEW HORIZON ACADEMY -
DOUGLAS 234 FILING, NO. 6
PARKER, CO

Copyright © 2021
Short Elliott Hendrickson, Inc.
All Rights Reserved.

This drawing is an instrument of service and shall remain the property of Short Elliott Hendrickson, Inc. (SEH). This drawing and the concepts and ideas contained herein shall not be used, reproduced, revised, or retained without the express written approval of SEH.

Submission or distribution of this drawing to most official or regulatory requirements or for other purposes in connection with the project is not to be construed as publication in derogation of any of the rights of SEH.

SEH Project: NHOAC 156217
Checked By: DRH
Drawn By: AMP

Project Status: CONSTRUCTION SET
Issue Date: 6/25/2021

Revision Issue

Rev. #	Description	Date
--------	-------------	------

CBMP DETAILS

Save: 6/4/2021 9:54 PM apopp Plot: 6/25/2021 10:00 AM X:\KONNHOAC\1562175-final-dsgn\51-drawings\10-Civil\cadd\dwg\sheet\Site Plans\C3_1_NHOAC\156217_51-Erosion Control Plan.dwg



Owner
New Horizon Academy
3405 Annapolis Lane
N., Suite 100
Plymouth, MN 55447
763.557.1111

Architect
Short Elliott Hendrickson, Inc.
2000 South Colorado Boulevard
Tower One, Suite 6000
Denver, Colorado 80222
720.540.6800

Landscape Architect
Short Elliott Hendrickson, Inc.
Suite 300
Minnetonka, MN 55343
952.912.2600

Civil Engineer
Short Elliott Hendrickson, Inc.
2000 South Colorado Boulevard
Tower One, Suite 6000
Denver, Colorado 80222
720.540.6800

Structural Engineer
Short Elliott Hendrickson, Inc.
3535 Vadnais Center Drive
St. Paul, MN 55110
651.490.2000

Mechanical Engineer
Short Elliott Hendrickson, Inc.
3535 Vadnais Center Drive
St. Paul, MN 55110
651.490.2000

Electrical Engineer
Short Elliott Hendrickson, Inc.
3535 Vadnais Center Drive
St. Paul, MN 55110
651.490.2000

NO CHANGES ARE TO BE MADE TO THIS DRAWING WITHOUT WRITTEN PERMISSION OF THE TOWN OF PARKER.

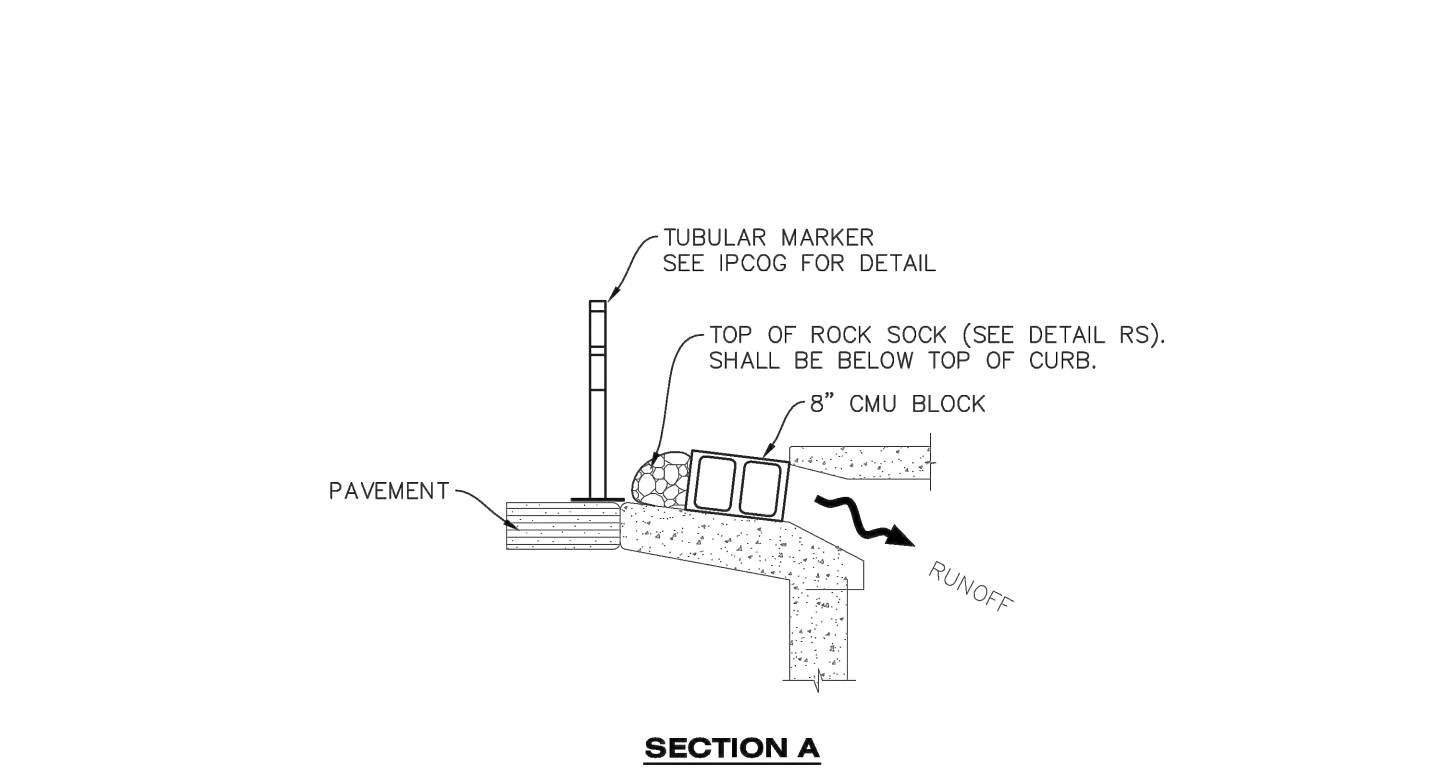
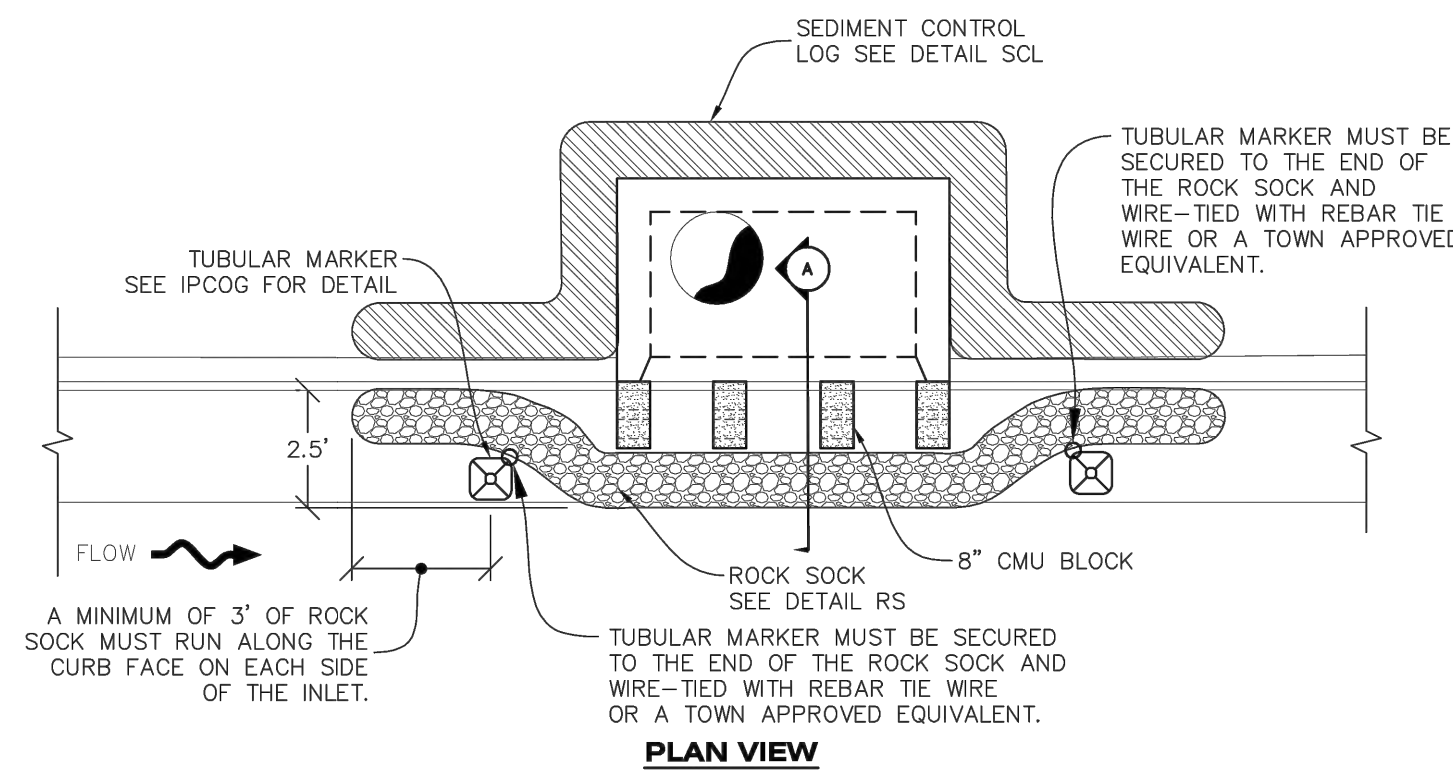
INLET PROTECTION, CURB ON-GRADE INSTALLATION NOTES

- SEE CBMP PLAN FOR LOCATION(S) OF ON-GRADE INLET PROTECTION.
- CRUSHED ROCK SHALL BE 2.0"-3.0" IN SIZE WITH A FRACTURED FACE (ALL SIDES).
- ROCK SOCK FOR ON-GRADE INLET PROTECTION SHALL BE ONE CONTINUOUS PIECE.
- ROCK SOCK SHALL BE CONSTRUCTED USING CHICKEN WIRE OR OTHER APPROVED MATERIAL, SIZED TO KEEP ROCK FROM SPILLING OUT.
- ROCK SOCK SHALL BE PLACED 5.0' UPHILL OF THE INLET OPENING.
- TUBULAR MARKER SHALL BE A MINIMUM OF 3.0' HIGH WITH REFLECTIVE BANDS AND OCTAGON SHAPED BASES.
- THE CURB INLET PROTECTION SHOWN ON CBMP PLAN SHALL BE INSTALLED ON EXISTING INLETS PRIOR TO ANY LAND DISTURBING ACTIVITIES OR IMMEDIATELY AFTER THE APPLICABLE INSTALLATION OF THE FIRST LIFT OF ASPHALT ON ROADWAYS DRAINING TO THE INLET.

ON-GRADE INLET PROTECTION INSPECTION AND MAINTENANCE NOTES

- THE EROSION CONTROL SUPERVISOR SHALL REGULARLY INSPECT THE ON-GRADE INLET PROTECTION.
- ACCUMULATED SEDIMENT SHALL BE REMOVED AS SOON AS POSSIBLE, IMMEDIATELY IN MOST CASES.
- ROCK SOCKS SHALL BE REPLACED IF THEY BECOME HEAVILY SOILED OR DAMAGED.
- ON-GRADE INLET PROTECTION SHALL REMAIN IN PLACE AND PROPERLY MAINTAINED UNTIL VEGETATIVE COVER HAS REACHED A CONSISTENT DENSITY OF AT LEAST 70% OF FULL VEGETATIVE COVER AND EROSION AND SEDIMENTATION IS NO LONGER A POSSIBILITY AS DETERMINED BY THE TOWN'S INSPECTOR OR AS OTHERWISE DIRECTED BY THE TOWN'S INSPECTOR.

NO CHANGES ARE TO BE MADE TO THIS DRAWING WITHOUT WRITTEN PERMISSION OF THE TOWN OF PARKER.



IPCOS **INLET PROTECTION, CURB ON SUMP, TYPE R INLET**

NO CHANGES ARE TO BE MADE TO THIS DRAWING WITHOUT WRITTEN PERMISSION OF THE TOWN OF PARKER.

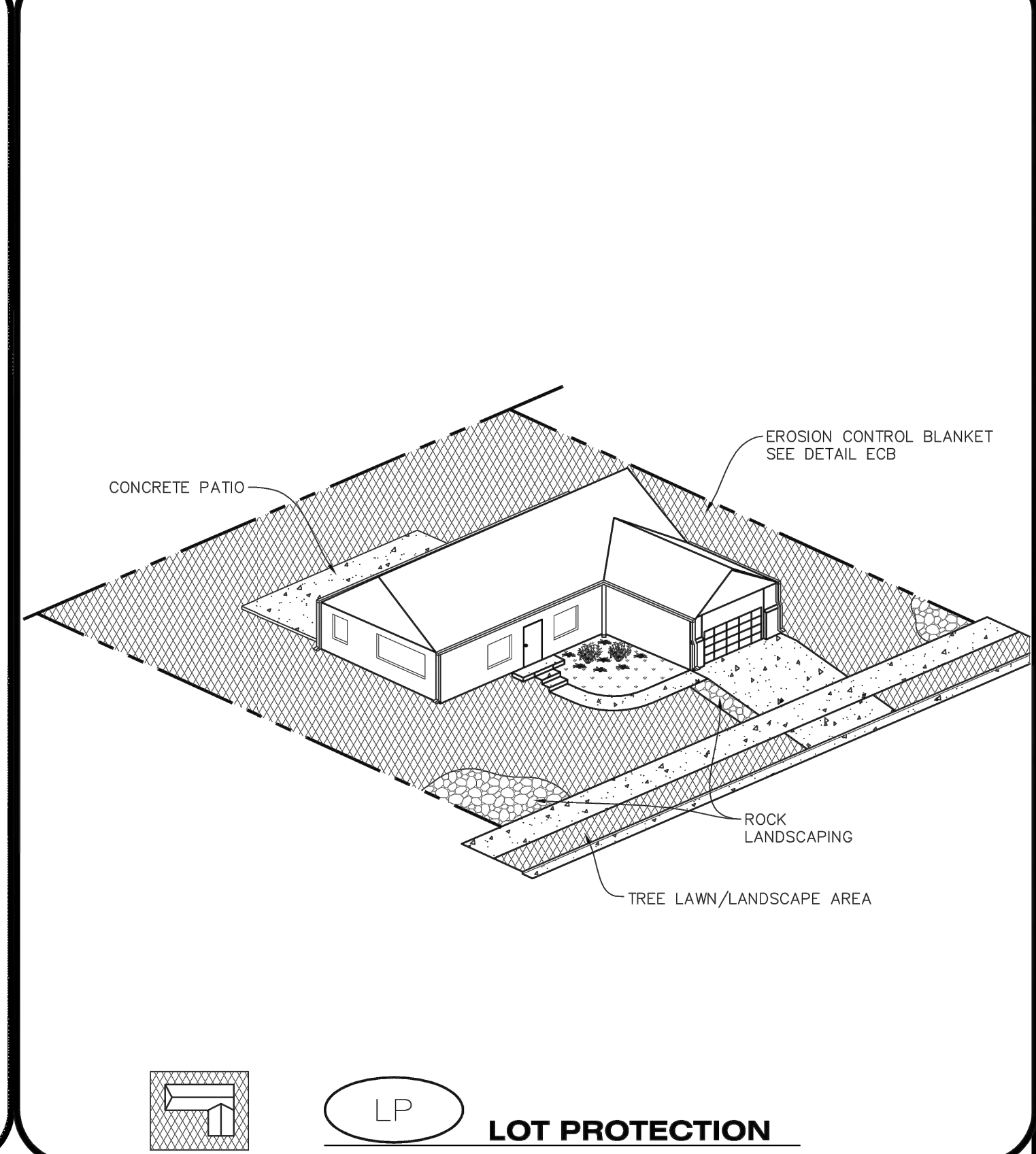
CURB INLET PROTECTION INSTALLATION NOTES

- SEE CBMP PLAN FOR LOCATION(S) OF CURB INLET PROTECTION.
- CRUSHED ROCK SHALL BE 2.0"-3.0" IN SIZE WITH A FRACTURED FACE (ALL SIDES).
- ROCK SOCK SHALL BE ONE CONTINUOUS PIECE OR SHALL BE CONSTRUCTED USING WIRE WRAPPED JOINTS (SEE DETAIL RS).
- ROCK SOCK SHALL BE CONSTRUCTED USING CHICKEN WIRE OR OTHER APPROVED MATERIAL SIZED TO KEEP ROCK FROM SPILLING OUT.
- ROCK SOCK SHALL EXTEND 3.0' ALONG THE CURB BEYOND LOCATIONS WHERE IT RETURNS TO CONTACT CURB FACE.
- TUBULAR TRAFFIC MARKERS SHALL BE A MINIMUM OF 36" IN HEIGHT WITH REFLECTIVE BANDS AND OCTAGON SHAPED BASES.
- THE CURB INLET PROTECTION SHOWN ON CBMP PLAN SHALL BE INSTALLED ON EXISTING INLETS PRIOR TO ANY LAND DISTURBING ACTIVITIES OR IMMEDIATELY AFTER THE INSTALLATION OF THE FIRST LIFT OF ASPHALT ON ROADWAYS DRAINING TO THE CURB INLET. CMU BLOCKS OR THE ROCK SOCK SHALL BE USED AS INTERIM PROTECTION UNTIL THE FIRST LIFT OF ASPHALT IS INSTALLED.

CURB INLET PROTECTION INSPECTION AND MAINTENANCE NOTES

- THE EROSION CONTROL SUPERVISOR SHALL REGULARLY INSPECT THE CURB INLET PROTECTION.
- ACCUMULATED SEDIMENT SHALL BE REMOVED AS SOON AS POSSIBLE, IMMEDIATELY IN MOST CASES.
- ROCK SOCKS SHALL BE REPLACED IF THEY BECOME HEAVILY SOILED OR DAMAGED.
- CURB INLET PROTECTION SHALL REMAIN IN PLACE AND PROPERLY MAINTAINED UNTIL VEGETATIVE COVER HAS REACHED A CONSISTENT DENSITY OF AT LEAST 70% OF FULL VEGETATIVE COVER AND EROSION AND SEDIMENTATION IS NO LONGER A POSSIBILITY AS DETERMINED BY THE TOWN'S INSPECTOR OR AS OTHERWISE DIRECTED BY THE TOWN'S INSPECTOR.

NO CHANGES ARE TO BE MADE TO THIS DRAWING WITHOUT WRITTEN PERMISSION OF THE TOWN OF PARKER.



LP **LOT PROTECTION**

CBMP CONSTRUCTION BEST MANAGEMENT PRACTICES
IPCOS 3 OF 3 Oct. 2013

CBMP CONSTRUCTION BEST MANAGEMENT PRACTICES
IPCOS 1 OF 2 Oct. 2013

CBMP CONSTRUCTION BEST MANAGEMENT PRACTICES
IPCOS 2 OF 2 Oct. 2013

CBMP CONSTRUCTION BEST MANAGEMENT PRACTICES
LP 1 OF 2 Oct. 2013

NO CHANGES ARE TO BE MADE TO THIS DRAWING WITHOUT WRITTEN PERMISSION OF THE TOWN OF PARKER.

EROSION CONTROL BLANKET FOR LOT PROTECTION INSTALLATION NOTES

- ALL EROSION CONTROL BLANKETS FOR LOT PROTECTION INSTALLED IN THE TOWN SHALL MEET THE FOLLOWING MINIMUM REQUIREMENTS:

MANUFACTURER	PRODUCT NAME
NORTH AMERICAN GREEN APPROVED EQUAL	S150 BN APPROVED EQUAL

- ALL EROSION CONTROL BLANKETS FOR LOT PROTECTION SHALL BE INSTALLED ACCORDING TO THE DETAIL DRAWINGS, WITH THE FOLLOWING ALLOWANCES AND ADDITIONS:

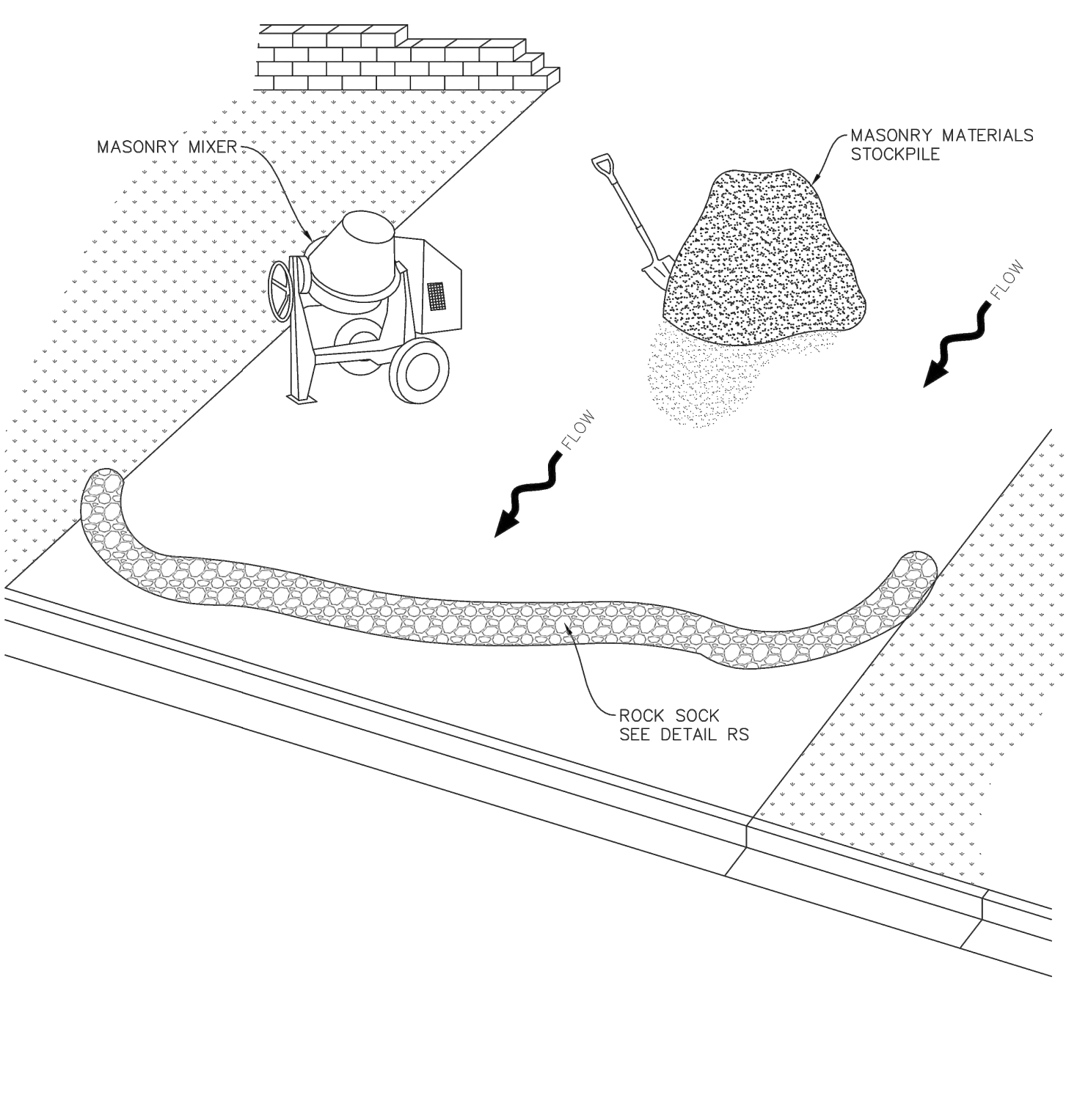
- THE TOWN WILL ALLOW THE USE OF BIODEGRADABLE, EROSION CONTROL BLANKET-SPECIFIC STAPLES, IN LIEU OF TRADITIONAL METAL STAPLES.
- ALL EROSION CONTROL BLANKET EDGES (SIDES AND ENDS) MUST OVERLAP THE ADJACENT BLANKET BY A MINIMUM OF 6-INCHES WITH THE UP-GRADE EDGES BEING PLACED ON TOP OF THE DOWN-GRADE EDGE OF THE ADJACENT BLANKET.
- THE EDGES (SIDES AND ENDS) OF THE EROSION CONTROL BLANKETS DO NOT NEED TO BE TRENCHED INTO THE GROUND ASSUMING THE SITE CONDITIONS WILL NOT CAUSE EROSION BENEATH THE BLANKETS. THESE ASSUMPTIONS WILL BE THE RESPONSIBILITY OF THE EROSION CONTROL SUPERVISOR. ON OCCASION, THE TOWN'S INSPECTOR MAY REQUEST TRENCHING BASED UPON SITE CONDITIONS.
- TOPSOIL PLACEMENT, SEEDING, AND MULCHING WILL NOT BE REQUIRED ON THE LOTS PRIOR TO THE INSTALLATION OF THE EROSION CONTROL BLANKET.

- ANY DAMAGED OR EXCESS STAPLES SHALL BE REMOVED FROM THE SITE FOLLOWING INSTALLATION.
- THE EROSION CONTROL BLANKETING REQUIRED AS PART OF THE LOT PROTECTION (LP) REQUIREMENT MUST BE INSTALLED OVER ALL UN-LANDSCAPED AREAS WITHIN EACH RESIDENTIAL, MULTI-FAMILY, AND COMMERCIAL LOT PRIOR TO THE ISSUANCE OF A CERTIFICATE OF OCCUPANCY / TEMPORARY CERTIFICATE OF OCCUPANCY.

EROSION CONTROL BLANKET FOR LOT PROTECTION MAINTENANCE NOTES

- THE EROSION CONTROL SUPERVISOR SHALL REGULARLY INSPECT THE EROSION CONTROL BLANKET FOR LOT PROTECTION.
- EROSION CONTROL BLANKETS FOR LOT PROTECTION ARE INTENDED TO REMAIN IN PLACE AND MAINTAINED UNTIL LANDSCAPING IS INSTALLED.

NO CHANGES ARE TO BE MADE TO THIS DRAWING WITHOUT WRITTEN PERMISSION OF THE TOWN OF PARKER.



MWP **MASONRY WORK PROTECTION**

NO CHANGES ARE TO BE MADE TO THIS DRAWING WITHOUT WRITTEN PERMISSION OF THE TOWN OF PARKER.

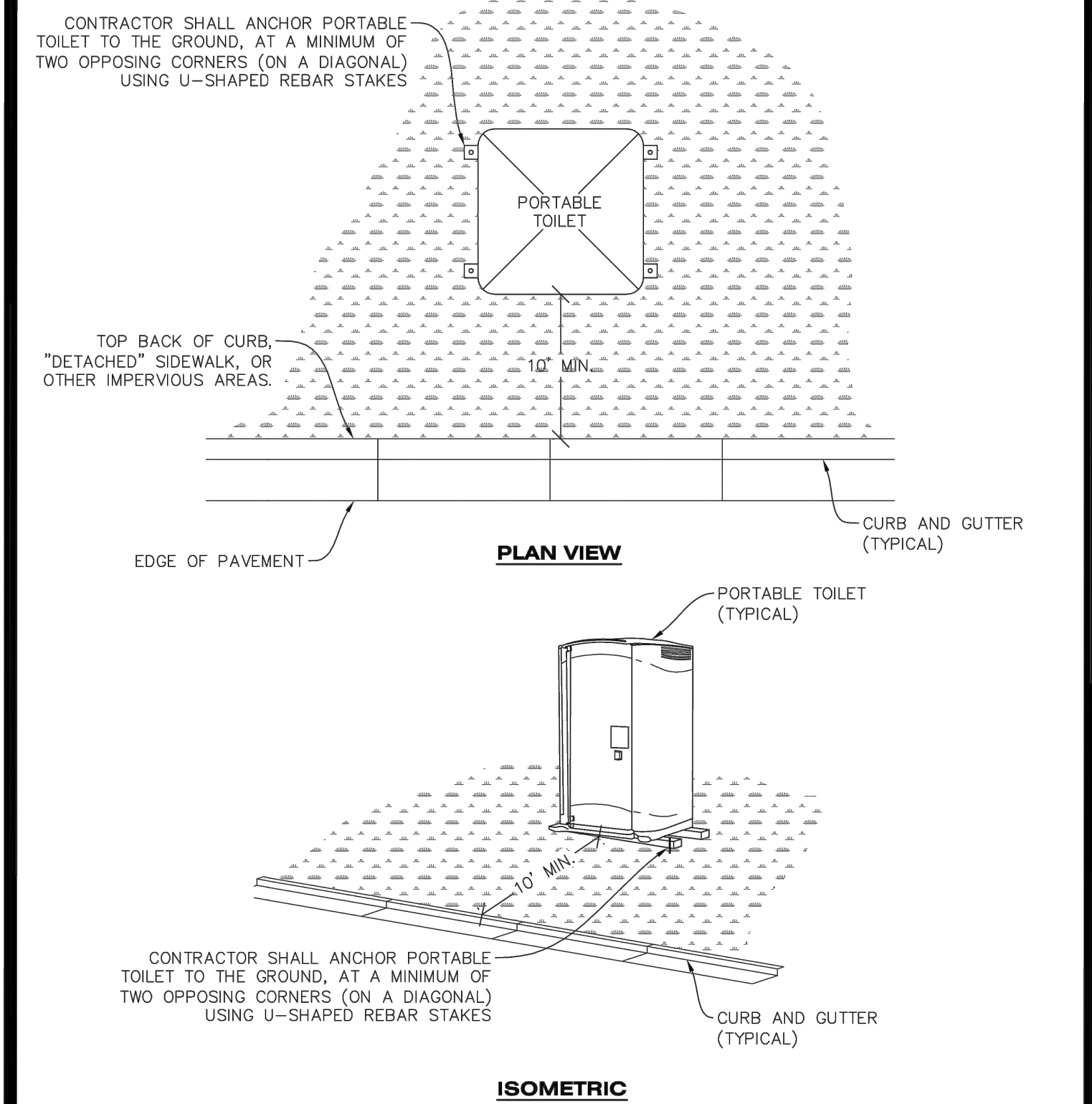
MASONRY WORK PROTECTION INSTALLATION NOTES

- MASONRY WORK PROTECTION MAY NEED TO BE INSTALLED WHEN MASONRY WORK AND MIXING IS OCCURRING.
- A ROCK SOCK SHALL BE INSTALLED IN A CRESCENT SHAPE ON THE DOWNHILL SIDE OF THE MASONRY WORK AND MIXER.
- CRUSHED ROCK SHALL BE 2.0"-3.0" IN SIZE WITH A FRACTURED FACE (ALL SIDES).
- ROCK SOCK SHALL BE ONE CONTINUOUS PIECE OR SHALL BE CONSTRUCTED USING WIRE WRAPPED JOINTS (SEE DETAIL RS).
- ROCK SOCK SHALL BE CONSTRUCTED USING CHICKEN WIRE OR OTHER APPROVED MATERIAL, SIZED TO KEEP ROCK FROM SPILLING OUT.

MASONRY WORK PROTECTION INSPECTION AND MAINTENANCE NOTES

- THE EROSION CONTROL SUPERVISOR SHALL REGULARLY INSPECT THE MASONRY WORK PROTECTION.
- ALL CONCRETE WASTE SHALL BE REGULARLY CLEANED AND PLACED IN THE CONCRETE WASH OUT AREA.
- ROCK SOCKS SHALL BE REPLACED IF THEY BECOME HEAVILY SOILED OR DAMAGED.

NO CHANGES ARE TO BE MADE TO THIS DRAWING WITHOUT WRITTEN PERMISSION OF THE TOWN OF PARKER.



PTP **PORTABLE TOILET PROTECTION**

CBMP CONSTRUCTION BEST MANAGEMENT PRACTICES
LP 2 OF 2 Oct. 2013

CBMP CONSTRUCTION BEST MANAGEMENT PRACTICES
MWP 1 OF 2 Oct. 2013

CBMP CONSTRUCTION BEST MANAGEMENT PRACTICES
MWP 2 OF 2 Oct. 2013

CBMP CONSTRUCTION BEST MANAGEMENT PRACTICES
PTP 1 OF 2 Oct. 2013

NEW HORIZON ACADEMY - DOUGLAS 234 FILING, NO. 6
PARKER, CO

This drawing is an instrument of service and shall remain the property of Short Elliott Hendrickson, Inc. (SEH). This drawing and the concepts and ideas contained herein shall not be used, reproduced, revised, or retained without the express written approval of SEH.

SEH Project Checked By Drawn By

NHOAC 156217 DRH AMP

Project Status Construction SET

Issue Date 6/25/2021

Revision Issue

Rev. # Description Date

CBMP DETAILS



Owner
New Horizon Academy
3405 Annapolis Lane
N., Suite 100
Plymouth, MN 55447
763.557.1111

Architect
Short Elliott Hendrickson, Inc.
2000 South Colorado Boulevard
Tower One, Suite 6000
Denver, Colorado 80222
720.540.6800

Landscape Architect
Short Elliott Hendrickson, Inc.
10901 Red Circle Drive
Suite 300
Minnetonka, MN 55343
952.912.2600

Civil Engineer
Short Elliott Hendrickson, Inc.
2000 South Colorado Boulevard
Tower One, Suite 6000
Denver, Colorado 80222
720.540.6800

Structural Engineer
Short Elliott Hendrickson, Inc.
3535 Vadnais Center Drive
St. Paul, MN 55110
651.490.2000

Mechanical Engineer
Short Elliott Hendrickson, Inc.
3535 Vadnais Center Drive
St. Paul, MN 55110
651.490.2000

Electrical Engineer
Short Elliott Hendrickson, Inc.
3535 Vadnais Center Drive
St. Paul, MN 55110
651.490.2000

NO CHANGES ARE TO BE MADE TO THIS DRAWING WITHOUT WRITTEN PERMISSION OF THE TOWN OF PARKER.

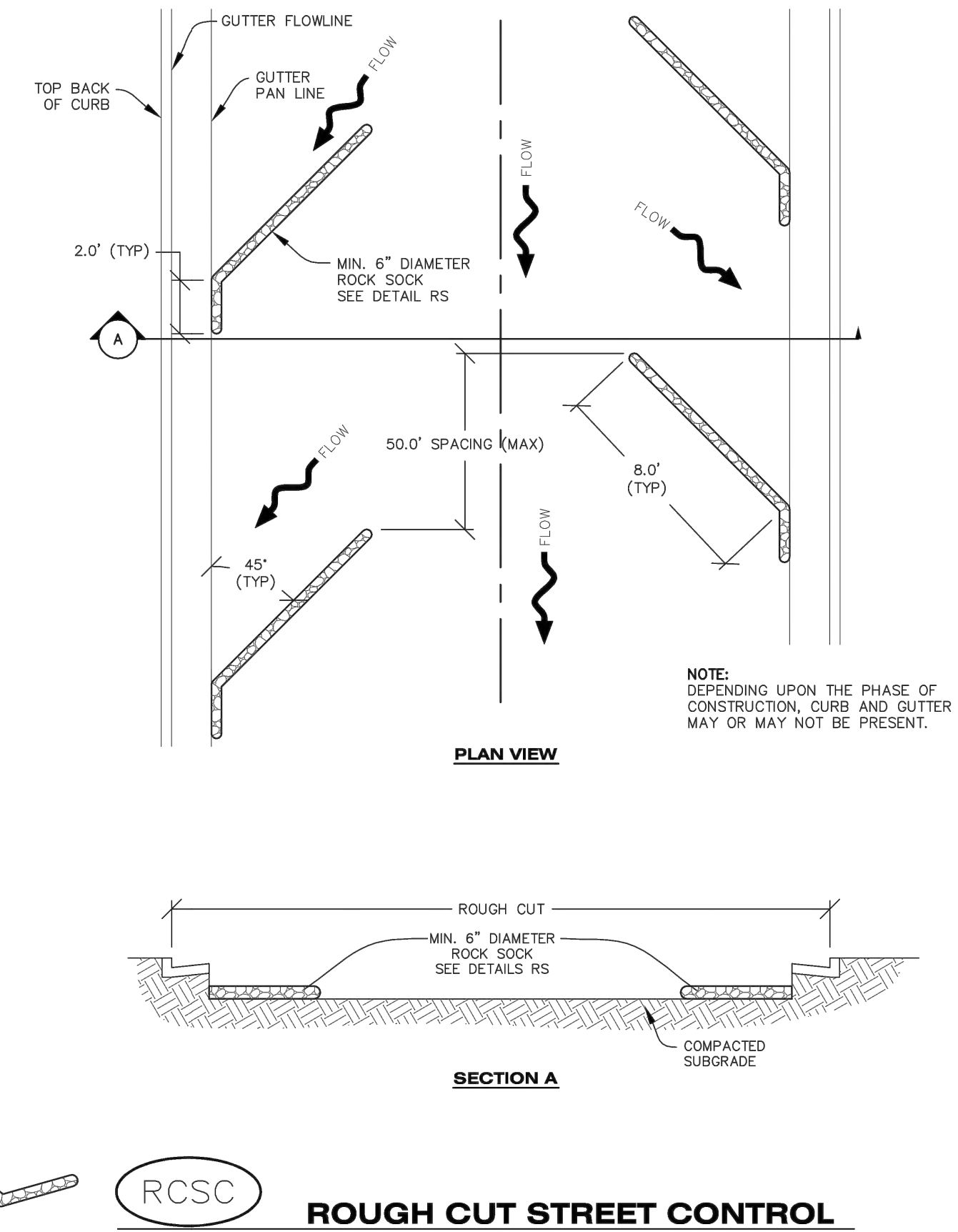
PORTABLE TOILET PROTECTION INSTALLATION NOTES

1. PORTABLE TOILETS SHALL BE PLACED A MINIMUM OF 10.0' BEHIND ALL CURBS, SIDEWALKS, AND OTHER IMPERVIOUS AREAS.
2. ALL PORTABLE TOILETS MUST BE GROUPED TOGETHER.
3. PORTABLE TOILETS SHALL BE SECURELY ANCHORED TO THE GROUND USING U-SHAPED REBAR STAKES.
4. U-SHAPED REBAR STAKES SHALL BE POSITIONED ON AT LEAST 2 OPPOSING (DIGITAL) CORNERS.

PORTABLE TOILET PROTECTION INSPECTION AND MAINTENANCE NOTES

2. THE EROSION CONTROL SUPERVISOR SHALL REGULARLY INSPECT THE PORTABLE TOILET PROTECTION.
3. PORTABLE TOILETS SHALL BE SERVICED AT THE NECESSARY INTERVALS TO ELIMINATE THE POSSIBILITY OF OVERFLOW.
4. WHEN THE PORTABLE TOILETS ARE REMOVED, ANY DISTURBED AREAS ASSOCIATED WITH THE INSTALLATION, MAINTENANCE, AND/OR REMOVAL OF THE TOILETS MAY NEED TO BE LANDSCAPED OR ROUGHENED, SEEDED, MULCHED, AND CRIMPED PER THE TOWN'S SPECIFICATIONS (SEE DETAIL SMC).
5. PORTABLE TOILETS THAT ARE NOT CONSISTENTLY MAINTAINED IN ACCORDANCE WITH THESE REQUIREMENTS MAY NEED TO BE CLUSTERED TOGETHER, IN ONE CENTRALIZED LOCATION IN ORDER TO INCREASE COMPLIANCE AND REDUCE THE CHANCE OF A SPILL.

NO CHANGES ARE TO BE MADE TO THIS DRAWING WITHOUT WRITTEN PERMISSION OF THE TOWN OF PARKER.



NO CHANGES ARE TO BE MADE TO THIS DRAWING WITHOUT WRITTEN PERMISSION OF THE TOWN OF PARKER.

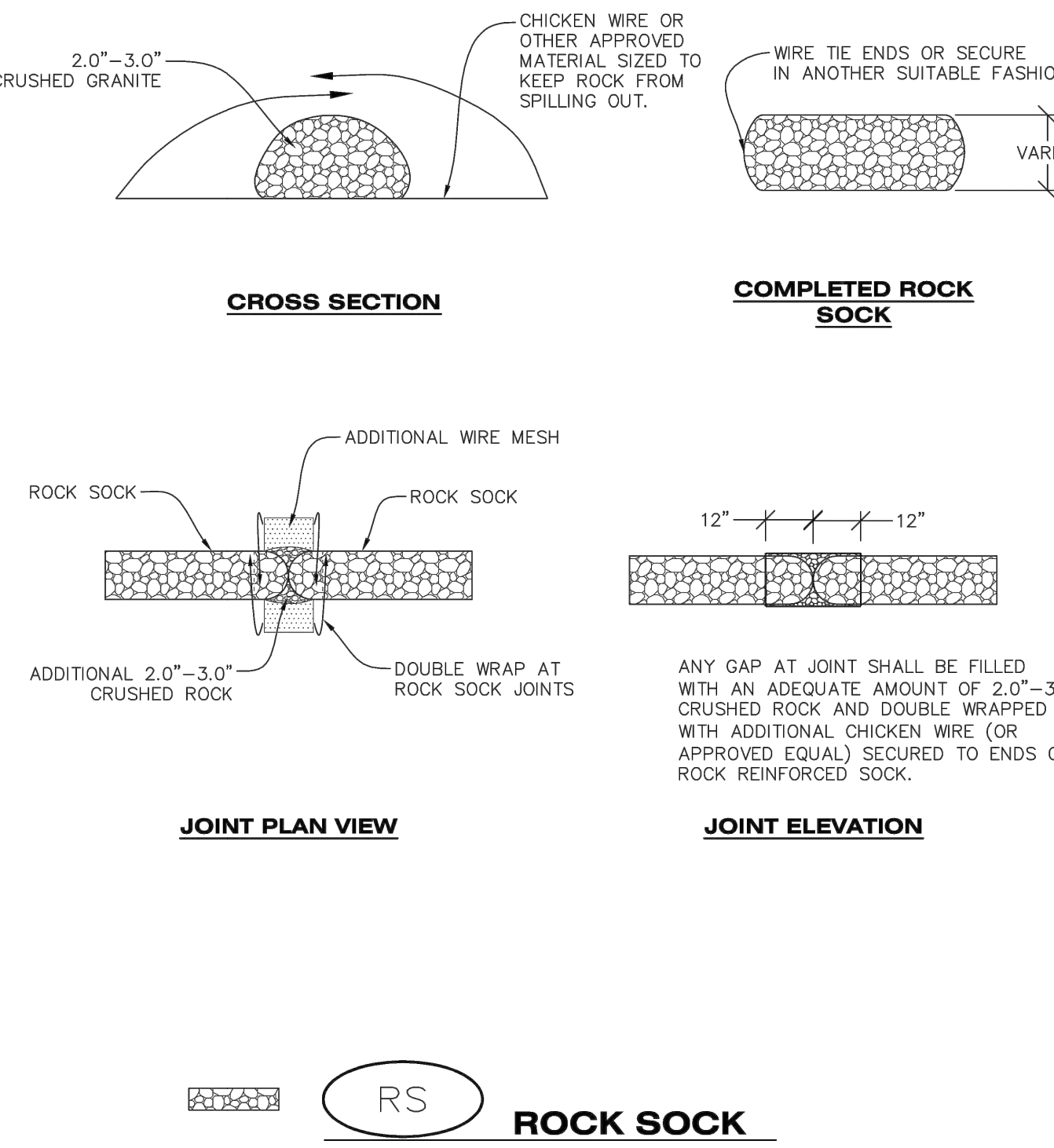
ROUGH CUT STREET CONTROL INSTALLATION NOTES

1. SEE CBMP PLAN FOR LOCATION(S) OF ROUGH CUT STREET CONTROL.
2. THE SPACING OF THE ROUGH CUT STREET CONTROL MAY BE DETERMINED BY THE DESIGN ENGINEER AND SHOWN ON THE CBMP PLAN.

ROUGH CUT STREET CONTROL INSPECTION AND MAINTENANCE NOTES

1. THE EROSION CONTROL SUPERVISOR SHALL REGULARLY INSPECT THE ROUGH CUT STREET CONTROL.
2. ACCUMULATED SEDIMENT SHALL BE REMOVED WHEN THE SEDIMENT DEPTH IS 1/2 THE HEIGHT OF THE ROCK SOCK.
3. ROUGH CUT STREET CONTROL SHALL BE REPAIRED IMMEDIATELY FOLLOWING ANY SIGN OF WEAR OR ALTERATION OF THE ORIGINAL SHAPE AND DIMENSIONS.
4. ROUGH CUT STREET CONTROL SHALL BE KEPT IN PLACE AND MAINTAINED UNTIL SUB-GRADE PREPARATION BEGINS FOR PAVING. AT THAT POINT, THE RCSC SHOULD BE REMOVED IN INCREMENTS BASED ON SUBGRADE PREPARATION.

NO CHANGES ARE TO BE MADE TO THIS DRAWING WITHOUT WRITTEN PERMISSION OF THE TOWN OF PARKER.



CBMP CONSTRUCTION BEST MANAGEMENT PRACTICES
PTP 2 OF 2
Oct. 2013

CBMP CONSTRUCTION BEST MANAGEMENT PRACTICES
RCSC 1 OF 2
Oct. 2013

CBMP CONSTRUCTION BEST MANAGEMENT PRACTICES
RCSC 2 OF 2
Oct. 2013

CBMP CONSTRUCTION BEST MANAGEMENT PRACTICES
RS 1 OF 2
Oct. 2013

NO CHANGES ARE TO BE MADE TO THIS DRAWING WITHOUT WRITTEN PERMISSION OF THE TOWN OF PARKER.

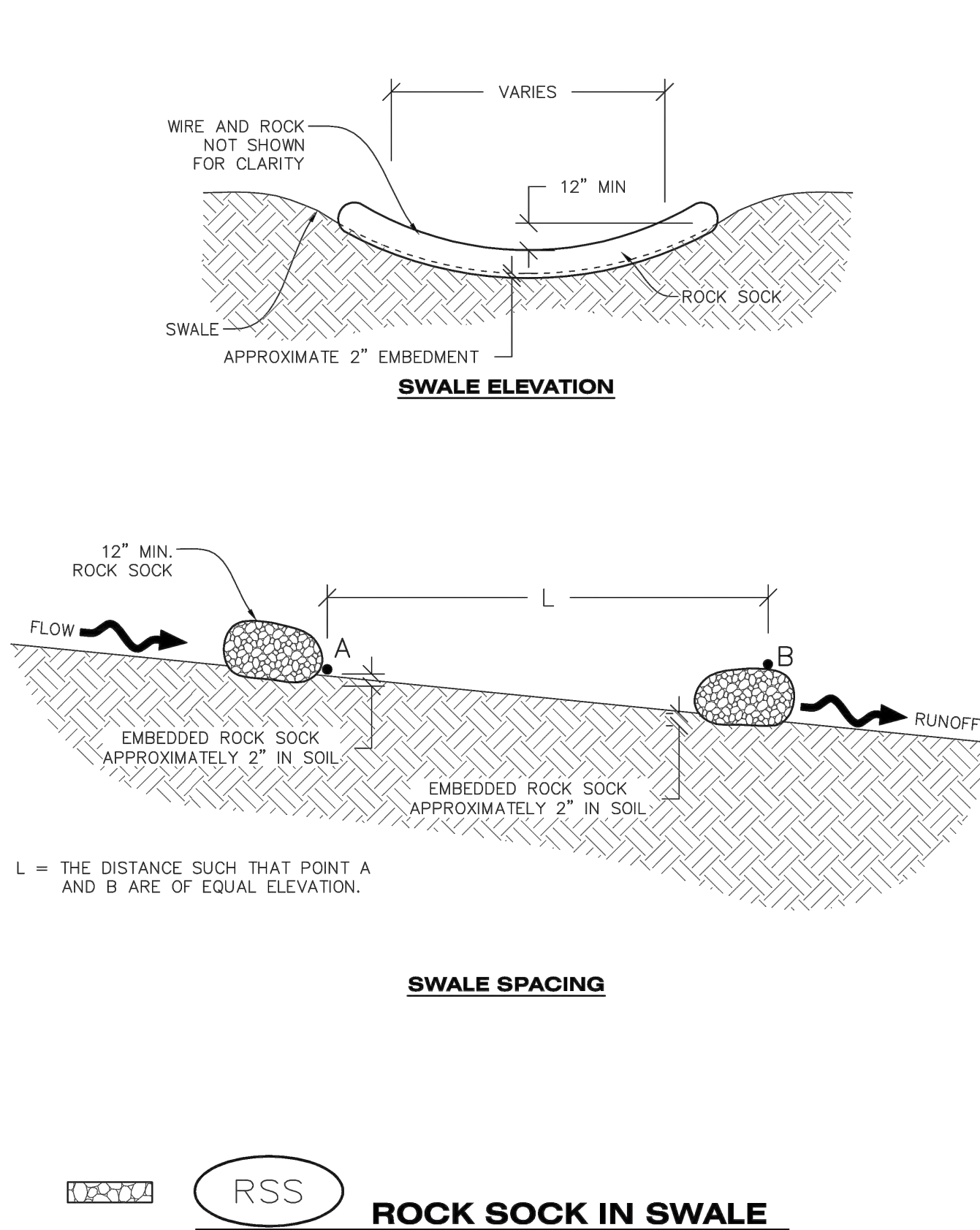
ROCK SOCK INSTALLATION NOTES

1. SEE CBMP PLAN FOR LOCATION(S) OF ROCK SOCK.
2. CRUSHED ROCK SHALL BE APPROXIMATELY 2.0"-3.0" GRANITE IN SIZE WITH A FRACTURED FACE (ALL SIDES).
3. ROCK SOCK SHALL BE APPROXIMATELY ONE CONTINUOUS PIECE OR SHALL BE CONSTRUCTED USING WIRE WRAPPED JOINTS (SEE DETAIL RS).
4. ROCK SOCK SHALL BE CONSTRUCTED USING CHICKEN WIRE OR OTHER APPROVED MATERIAL SIZED TO KEEP ROCK FROM SPILLING OUT.
5. MINIMUM ROCK SOCK DIAMETER SHALL VARY BASED ON APPLICATION (7" MIN).
6. TUBULAR MARKERS MAY NEED TO BE USED IN CONJUNCTION WITH ROCK SOCKS ANYTIME THE ROCK SOCK IS PLACED ON A ROADWAY, SIDEWALK, PARKING LOT OR OTHER LOCATION SUSCEPTIBLE TO VEHICLE OR PEDESTRIAN TRAFFIC. TUBULAR MARKERS SHALL CONFORM TO THE TUBULAR MARKER DETAIL.

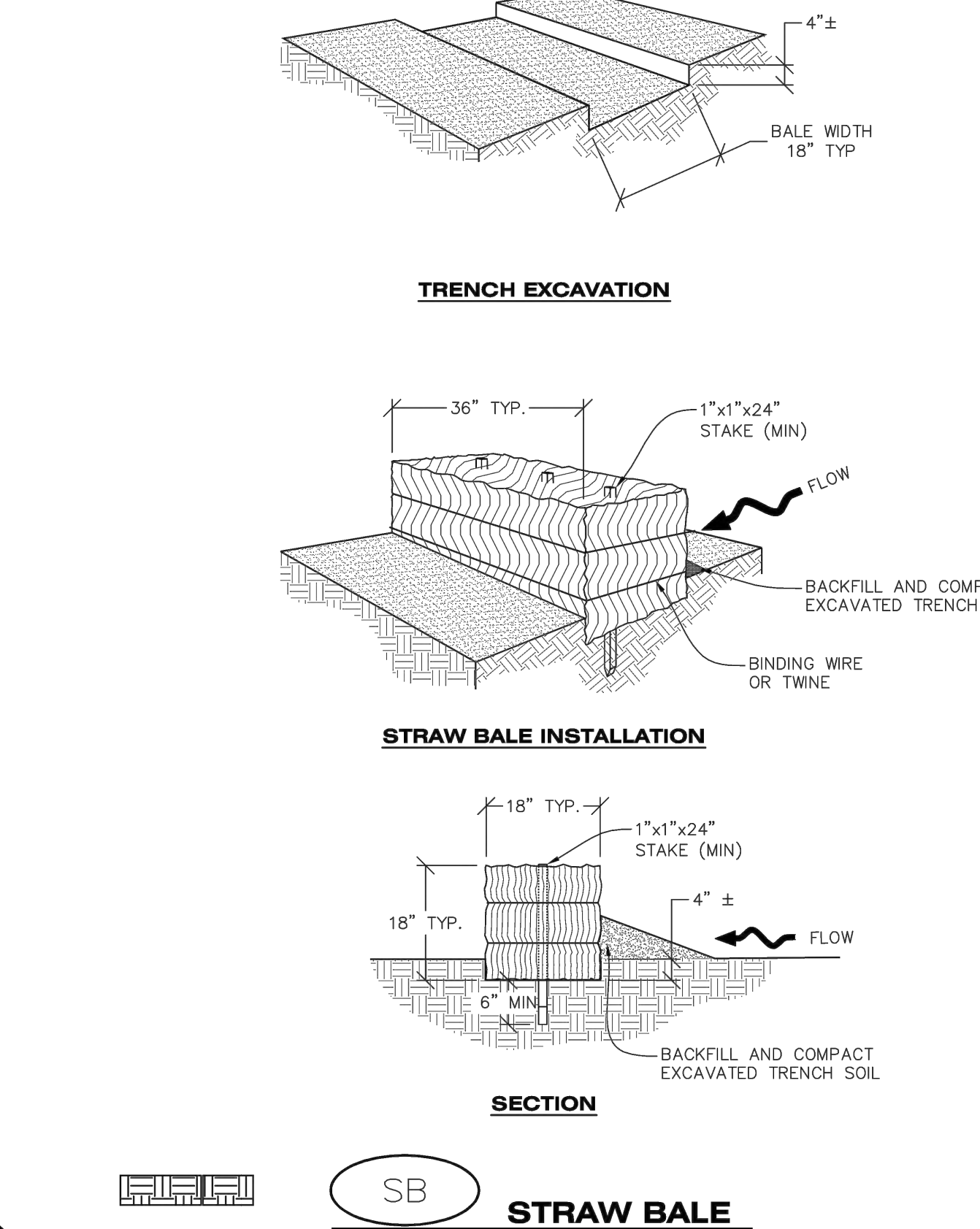
ROCK SOCK INSPECTION AND MAINTENANCE NOTES

1. THE EROSION CONTROL SUPERVISOR SHALL REGULARLY INSPECT THE ROCK SOCKS.
2. ROCK SOCKS SHALL BE REPLACED IF THEY BECOME HEAVILY SOILED OR DAMAGED.
3. ROCK SOCKS SHALL REMAIN IN PLACE AND PROPERLY MAINTAINED UNTIL VEGETATIVE COVER HAS REACHED A CONSISTENT DENSITY OF AT LEAST 70% OF FULL VEGETATIVE COVER AND EROSION AND SEDIMENTATION IS NO LONGER A POSSIBILITY AS DETERMINED BY THE TOWN'S INSPECTOR OR AS OTHERWISE DIRECTED BY THE TOWN'S INSPECTOR.

NO CHANGES ARE TO BE MADE TO THIS DRAWING WITHOUT WRITTEN PERMISSION OF THE TOWN OF PARKER.



NO CHANGES ARE TO BE MADE TO THIS DRAWING WITHOUT WRITTEN PERMISSION OF THE TOWN OF PARKER.



NO CHANGES ARE TO BE MADE TO THIS DRAWING WITHOUT WRITTEN PERMISSION OF THE TOWN OF PARKER.

STRAW BALE INSTALLATION NOTES

1. SEE CBMP PLAN FOR LOCATION(S) OF STRAW BALES.
2. TYPICAL STRAW BALES SHALL BE APPROXIMATELY 36"x18"x18".
3. TWO (2) WOODEN STAKES SHALL BE USED TO HOLD EACH BALE IN PLACE. WOODEN STAKES SHALL BE A MINIMUM OF 1"x1"x24".
4. WOODEN STAKES SHALL BE PLACED APPROXIMATELY 6" INTO THE GROUND.
5. STRAW BALES SHALL BE SPACED AND POSITIONED ACCORDING TO DETAILS.

STRAW BALE INSPECTION AND MAINTENANCE NOTES

1. THE EROSION CONTROL SUPERVISOR SHALL REGULARLY INSPECT THE STRAW BALES.
2. ACCUMULATED SEDIMENT SHALL BE REMOVED ONCE THE SEDIMENT HAS REACHED A DEPTH EQUAL TO 1/2 THE HEIGHT OF THE STRAW BALE.
3. STRAW BALES MAY NEED TO BE REPLACED IF THEY BECOME HEAVILY SOILED, ROTTEN, OR OTHERWISE DAMAGED.
4. STRAW BALES SHALL REMAIN IN PLACE AND PROPERLY MAINTAINED UNTIL VEGETATIVE COVER HAS REACHED A CONSISTENT DENSITY OF AT LEAST 70% OF FULL VEGETATIVE COVER AND EROSION AND SEDIMENTATION IS NO LONGER A POSSIBILITY AS DETERMINED BY THE TOWN'S INSPECTOR OR AS OTHERWISE DIRECTED BY THE TOWN INSPECTOR.
5. WHEN THE STRAW BALES ARE REMOVED, ANY DISTURBED AREAS ASSOCIATED WITH THE INSTALLATION, MAINTENANCE, AND/OR REMOVAL OF THE STRAW BALES MAY NEED TO BE ROUGHENED, SEEDED, MULCHED, AND CRIMPED PER THE TOWN'S SPECIFICATIONS (SEE DETAIL SMC).

CBMP CONSTRUCTION BEST MANAGEMENT PRACTICES
RS 2 OF 2
Oct. 2013

CBMP CONSTRUCTION BEST MANAGEMENT PRACTICES
RSS 1 OF 1
Oct. 2013

CBMP CONSTRUCTION BEST MANAGEMENT PRACTICES
SB 1 OF 2
Oct. 2013

CBMP CONSTRUCTION BEST MANAGEMENT PRACTICES
SB 2 OF 2
Oct. 2013

NEW HORIZON ACADEMY -
DOUGLAS 234 FILING, NO. 6
PARKER, CO

This drawing is an instrument of service and shall remain the property of Short Elliott Hendrickson, Inc. (SEH). This drawing and the concepts and ideas contained herein shall not be used, reproduced, revised, or retained without the express written approval of SEH.

Submission or distribution of this drawing to meet official or regulatory requirements or for other purposes in connection with the project is not to be construed as publication in derogation of any of the rights of SEH.

SEH Project: NHOAC 156217
Checked By: DRH
Drawn By: AMP

Project Status: CONSTRUCTION SET
Issue Date: 6/25/2021

Rev. #	Description	Date

CBMP DETAILS



Owner
New Horizon Academy
3405 Annapolis Lane
N., Suite 100
Plymouth, MN 55447
763.557.1111

Architect
Short Elliott Hendrickson, Inc.
2000 South Colorado Boulevard
Tower One, Suite 6000
Denver, Colorado 80222
720.540.6800

Landscape Architect
Short Elliott Hendrickson, Inc.
Suite 300
Minnetonka, MN 55343
952.912.2600

Civil Engineer
Short Elliott Hendrickson, Inc.
2000 South Colorado Boulevard
Tower One, Suite 6000
Denver, Colorado 80222
720.540.6800

Structural Engineer
Short Elliott Hendrickson, Inc.
3535 Vadnais Center Drive
St. Paul, MN 55110
651.490.2000

Mechanical Engineer
Short Elliott Hendrickson, Inc.
3535 Vadnais Center Drive
St. Paul, MN 55110
651.490.2000

Electrical Engineer
Short Elliott Hendrickson, Inc.
3535 Vadnais Center Drive
St. Paul, MN 55110
651.490.2000

NEW HORIZON ACADEMY -
DOUGLAS 234 FILING, NO. 6
PARKER, CO

This drawing is an instrument of service and shall remain the property of Short Elliott Hendrickson, Inc. (SEH). This drawing and the concepts and ideas contained herein shall not be used, reproduced, revised, or retained without the express written approval of SEH.

Submission or distribution of this drawing to meet official or regulatory requirements or for other purposes in connection with the project is not to be construed as publication in derogation of any of the rights of SEH.

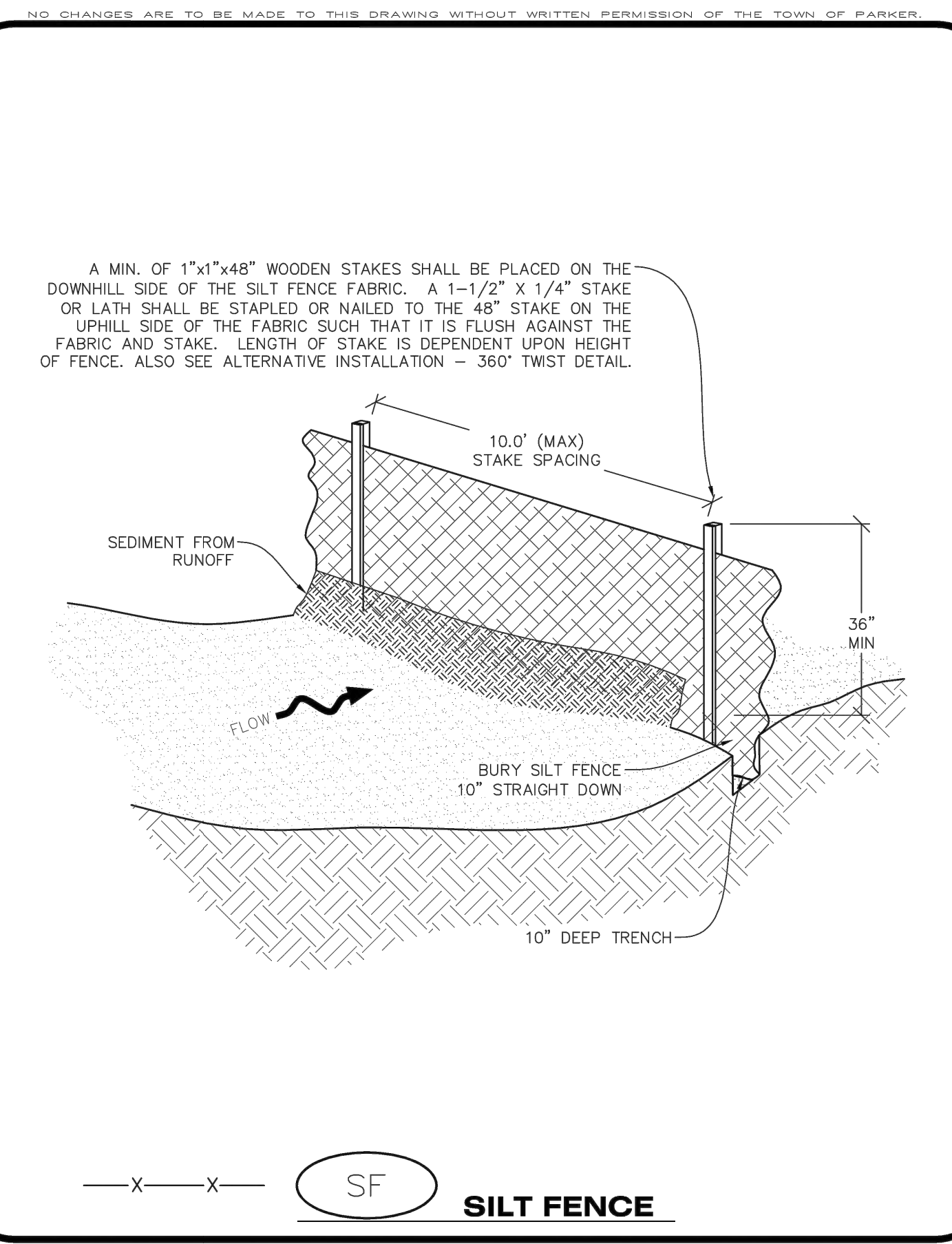
SEH Project Checked By Drawn By

Project Status Issue Date

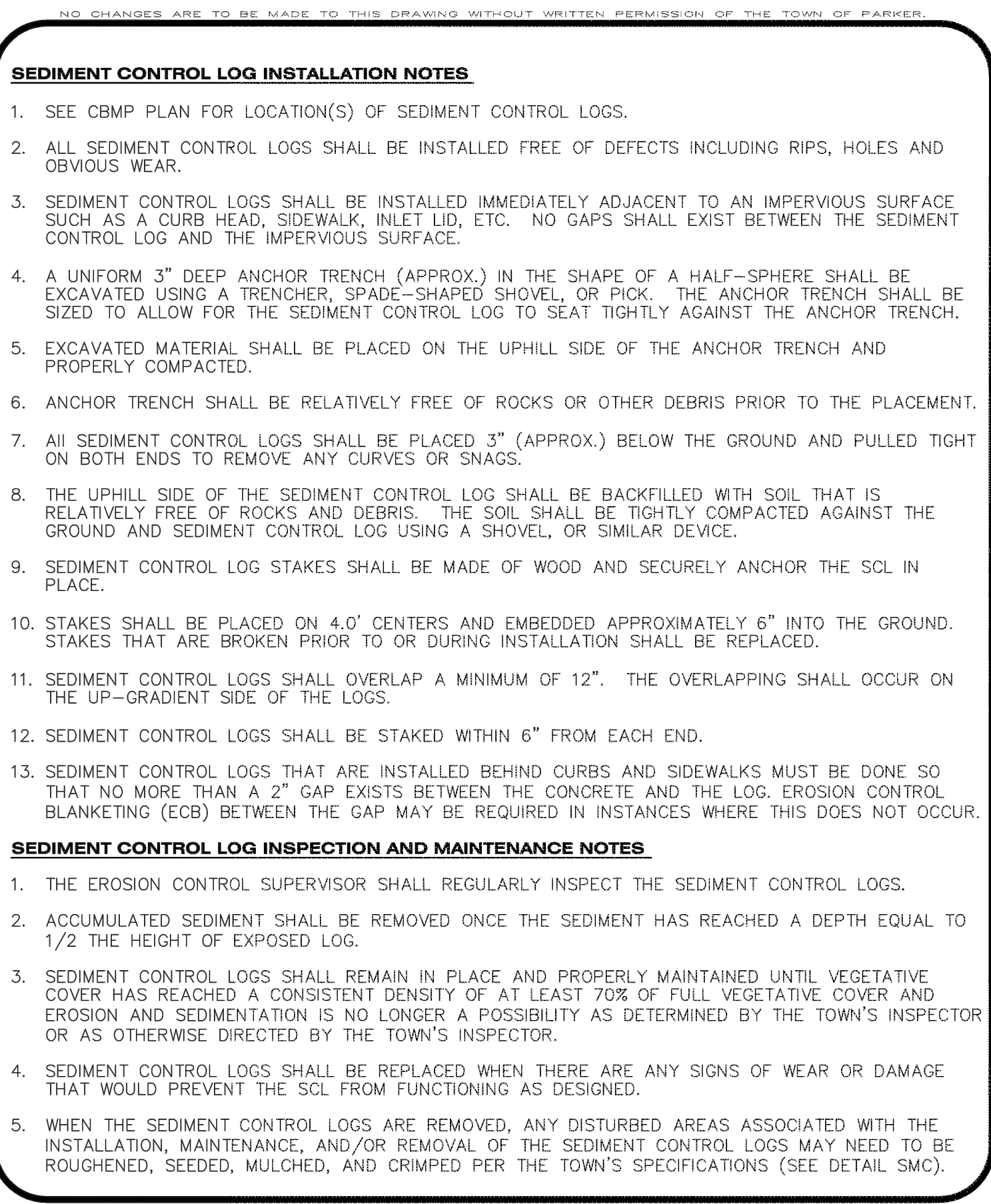
Revision Issue Description Date

CBMP DETAILS

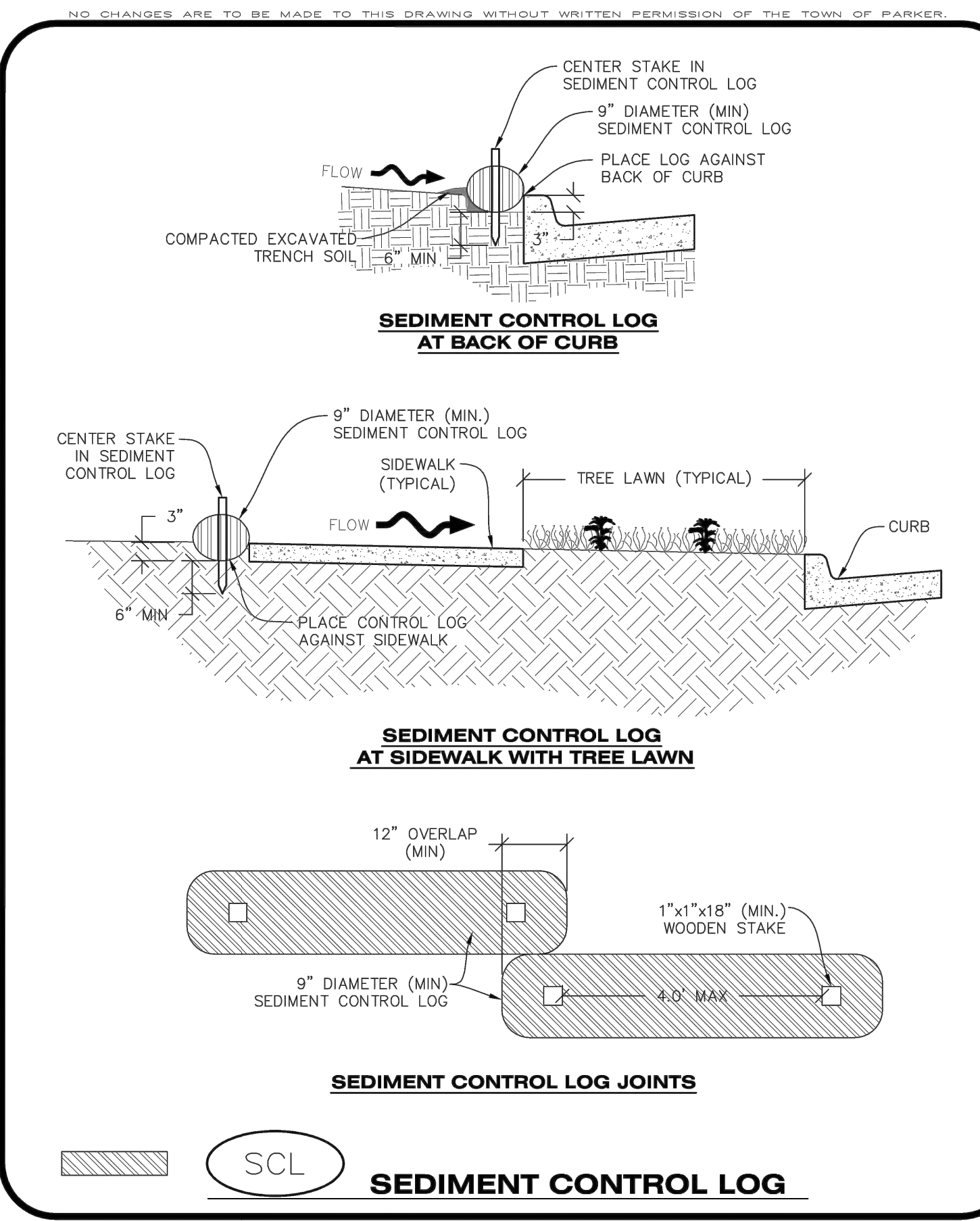
C3.8



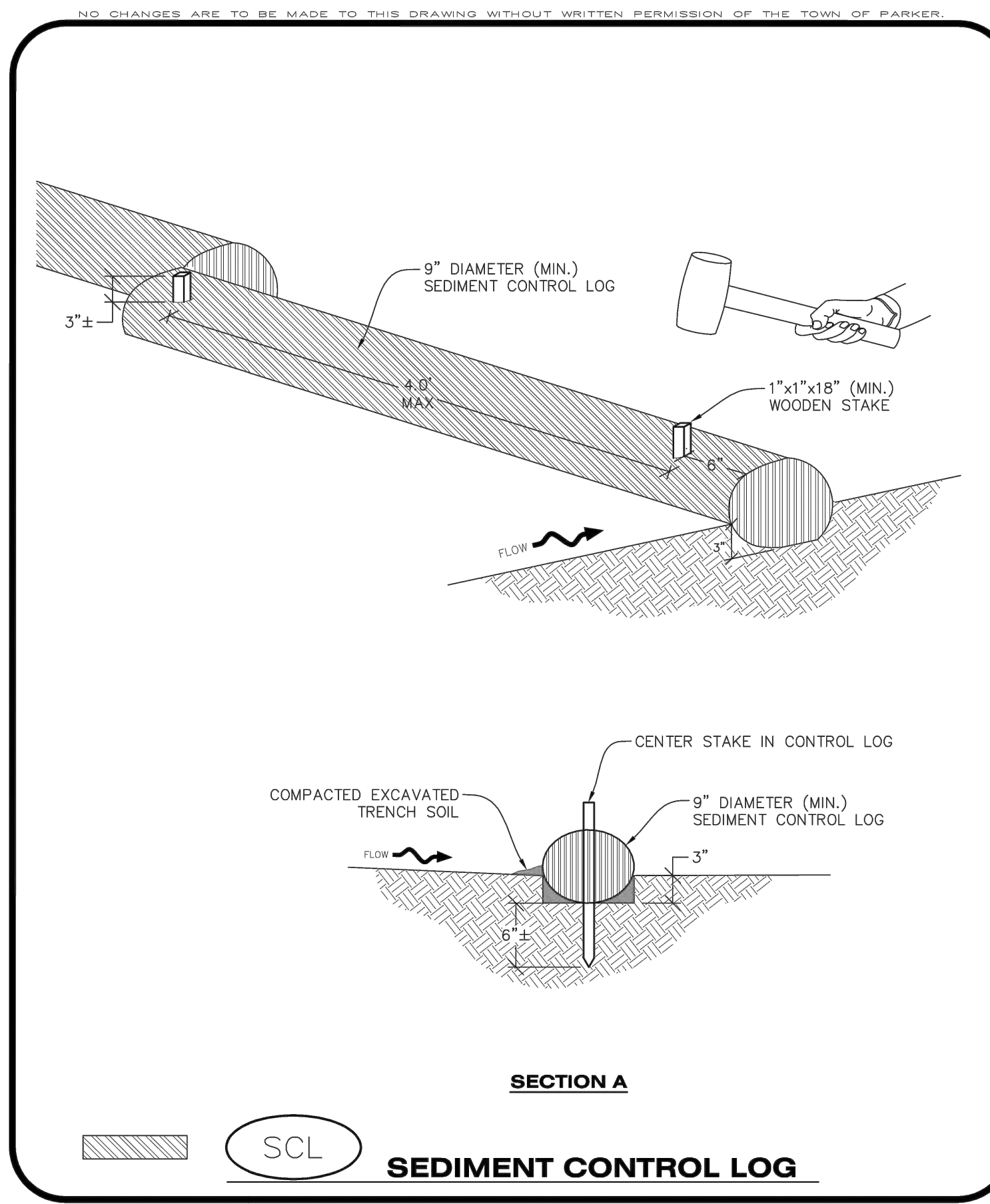
SILT FENCE



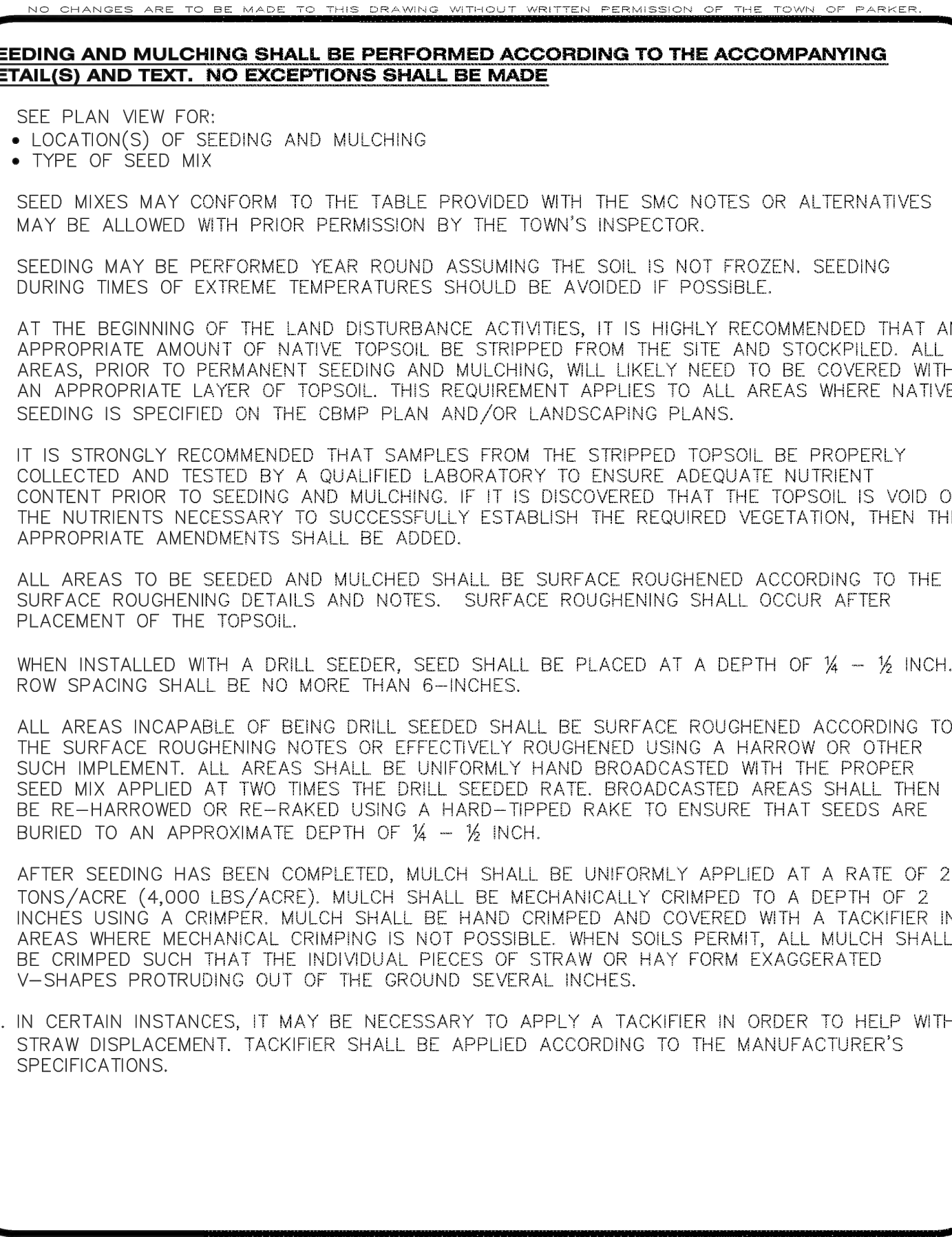
SEDIMENT CONTROL LOG



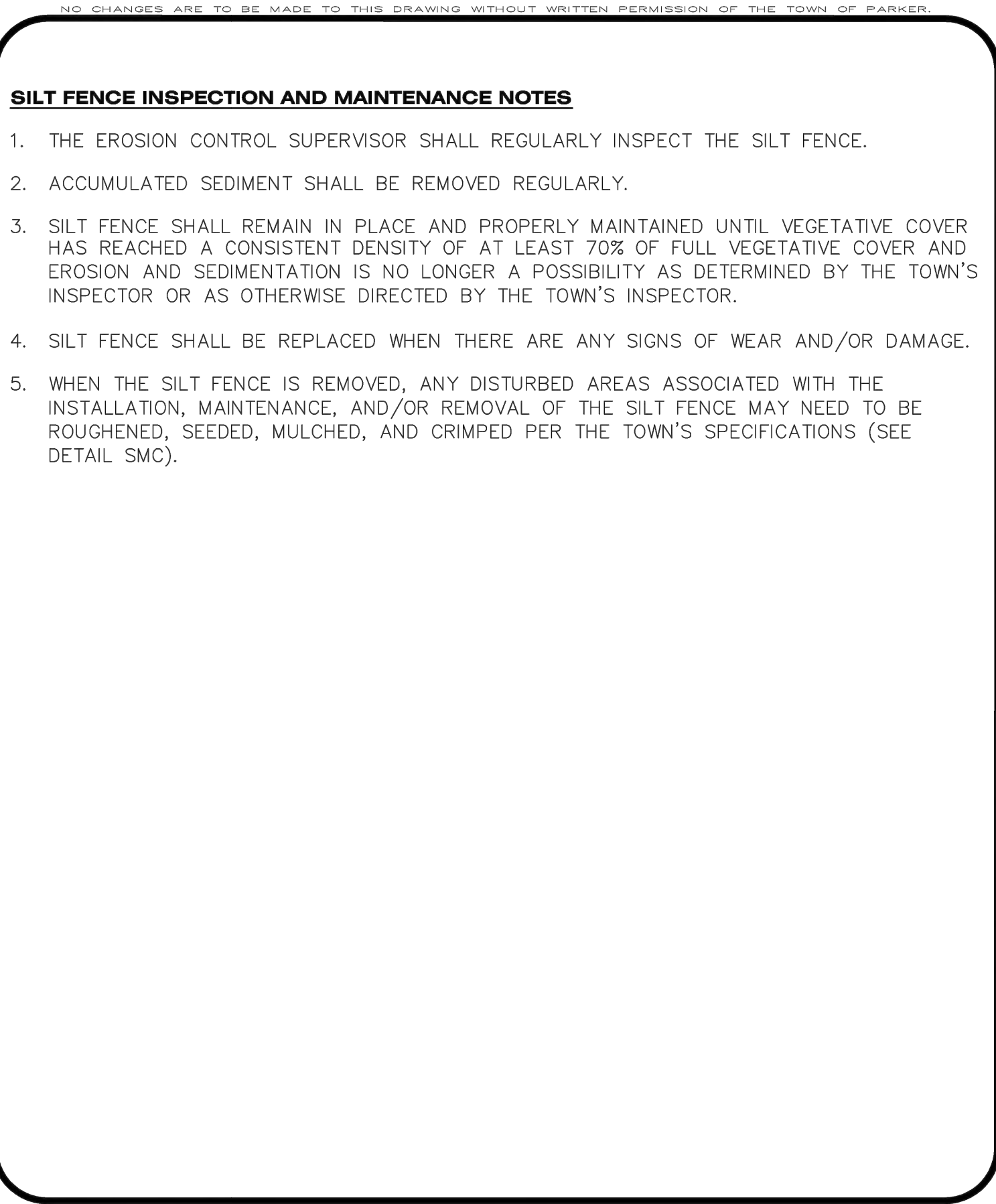
SEDIMENT CONTROL LOG



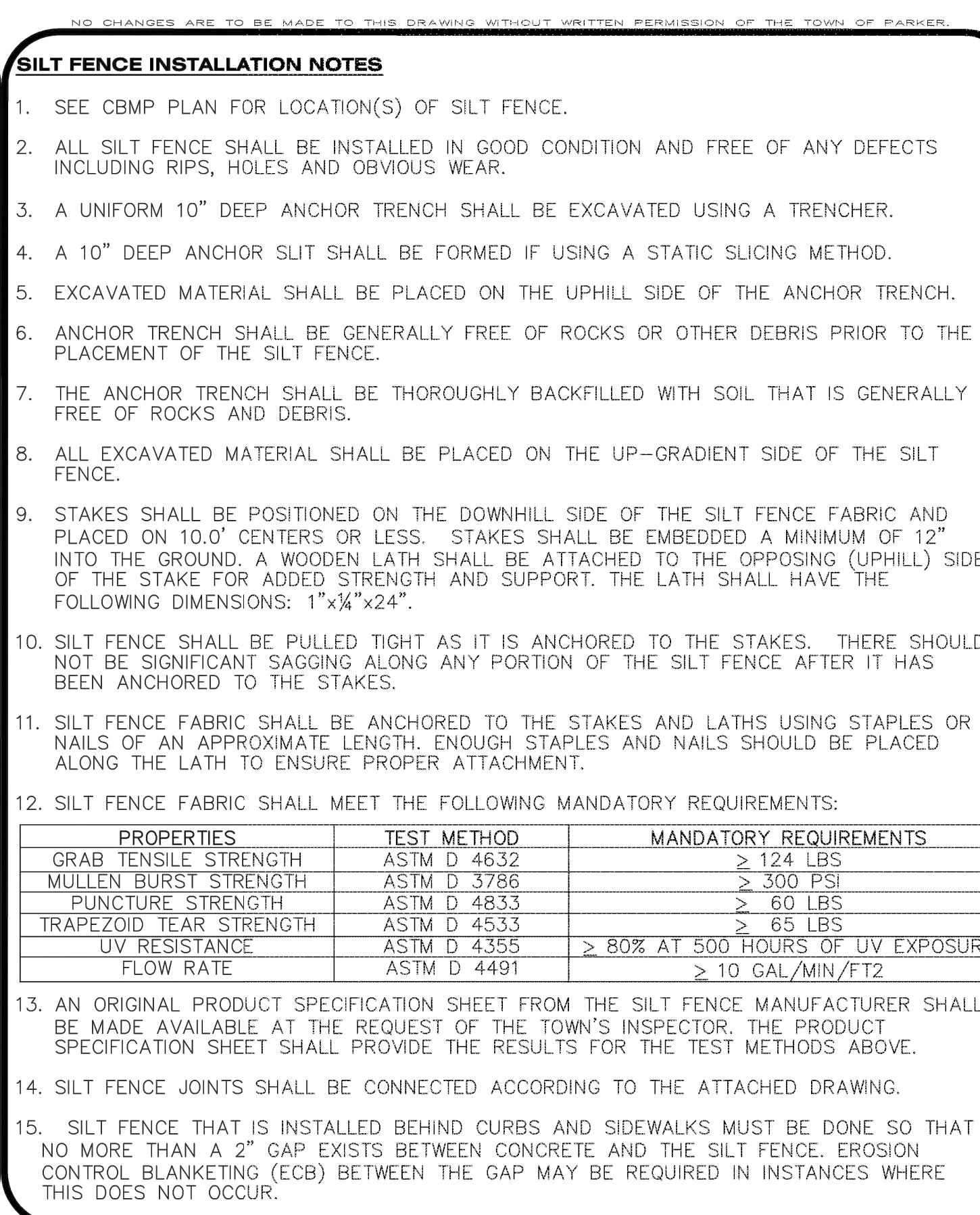
SEDIMENT CONTROL LOG



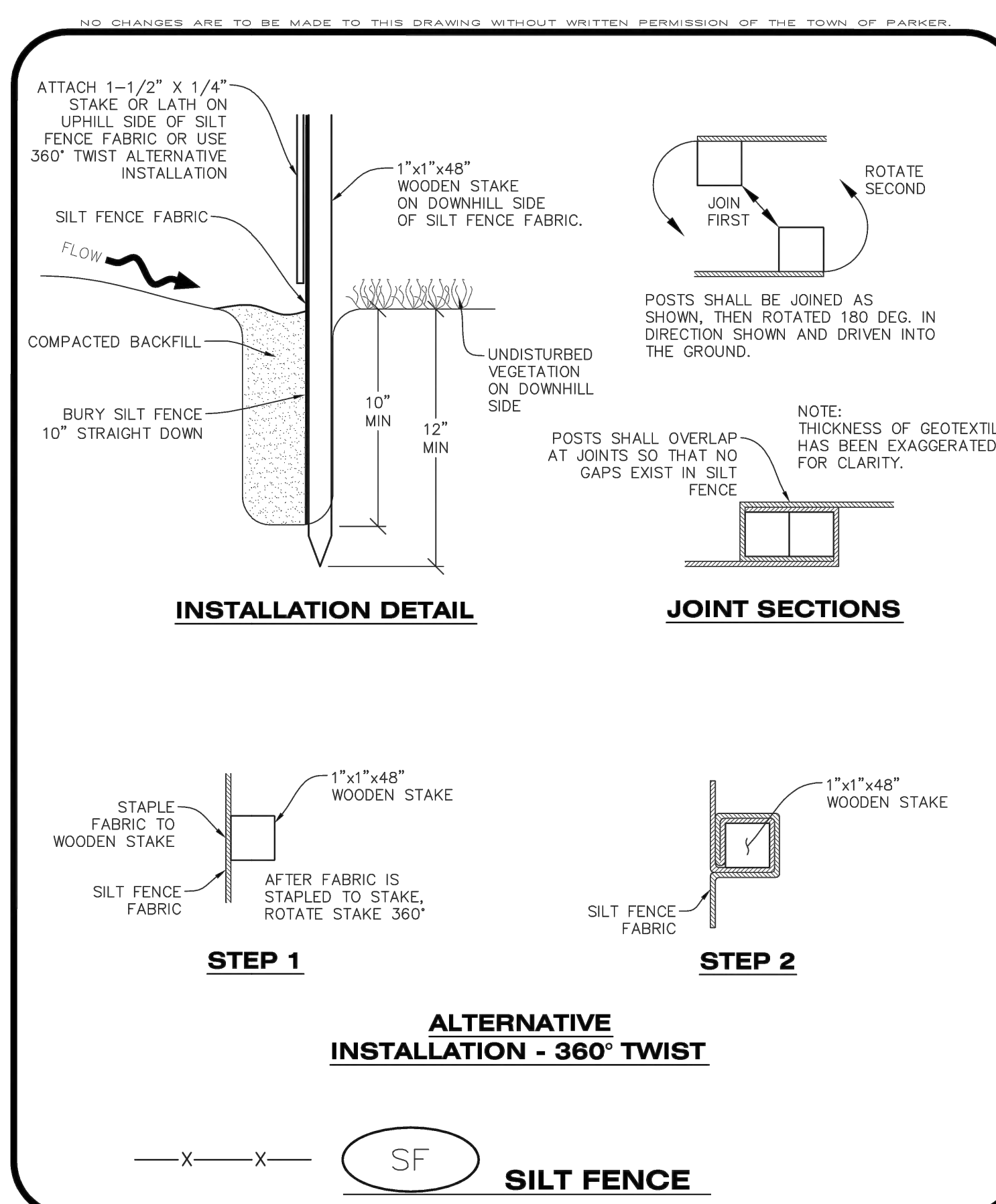
SEEDING AND MULCHING



SILT FENCE



SILT FENCE



SILT FENCE

CBMP CONSTRUCTION BEST MANAGEMENT PRACTICES
SCL 1 OF 3 Oct. 2013

CBMP CONSTRUCTION BEST MANAGEMENT PRACTICES
SCL 2 OF 3 Oct. 2013

CBMP CONSTRUCTION BEST MANAGEMENT PRACTICES
SCL 3 OF 3 Oct. 2013

CBMP CONSTRUCTION BEST MANAGEMENT PRACTICES
SF 1 OF 4 Oct. 2013

CBMP CONSTRUCTION BEST MANAGEMENT PRACTICES
SF 2 OF 4 Oct. 2013

CBMP CONSTRUCTION BEST MANAGEMENT PRACTICES
SF 3 OF 4 Oct. 2013

CBMP CONSTRUCTION BEST MANAGEMENT PRACTICES
SF 4 OF 4 Oct. 2013

CBMP CONSTRUCTION BEST MANAGEMENT PRACTICES
SMC 1 OF 3 Oct. 2013

Save: 6/4/2021 9:54 PM apopp Plot: 6/25/2021 10:04 AM X:\K\N\NHOAC\1562175-final-dgn\51-drawings\10-Civil\cadd\dwg\sheet\Site Plans\C3_1_NHOAC\156217_Erosion Control Plan.dwg

NO CHANGES ARE TO BE MADE TO THIS DRAWING WITHOUT WRITTEN PERMISSION OF THE TOWN OF PARKER

NO CHANGES ARE TO BE MADE TO THIS DRAWING WITHOUT WRITTEN PERMISSION OF THE TOWN OF PARKER

NO CHANGES ARE TO BE MADE TO THIS DRAWING WITHOUT WRITTEN PERMISSION OF THE TOWN OF PARKER

NO CHANGES ARE TO BE MADE TO THIS DRAWING WITHOUT WRITTEN PERMISSION OF THE TOWN OF PARKER

NO CHANGES ARE TO BE MADE TO THIS DRAWING WITHOUT WRITTEN PERMISSION OF THE TOWN OF PARKER

NO CHANGES ARE TO BE MADE TO THIS DRAWING WITHOUT WRITTEN PERMISSION OF THE TOWN OF PARKER

NO CHANGES ARE TO BE MADE TO THIS DRAWING WITHOUT WRITTEN PERMISSION OF THE TOWN OF PARKER

NO CHANGES ARE TO BE MADE TO THIS DRAWING WITHOUT WRITTEN PERMISSION OF THE TOWN OF PARKER



Owner
New Horizon Academy
3405 Annapolis Lane
N, Suite 100
Plymouth, MN 55447
763.557.1111

Architect
Short Elliott Hendrickson, Inc.
2000 South Colorado Boulevard
Tower One, Suite 6000
Denver, Colorado 80222
720.540.6800

Landscape Architect
Short Elliott Hendrickson, Inc.
10901 Red Circle Drive
Suite 300
Minnetonka, MN 55343
952.912.2600

Civil Engineer
Short Elliott Hendrickson, Inc.
2000 South Colorado Boulevard
Tower One, Suite 6000
Denver, Colorado 80222
720.540.6800

Structural Engineer
Short Elliott Hendrickson, Inc.
3535 Vadnais Center Drive
St. Paul, MN 55110
651.490.2000

Mechanical Engineer
Short Elliott Hendrickson, Inc.
3535 Vadnais Center Drive
St. Paul, MN 55110
651.490.2000

Electrical Engineer
Short Elliott Hendrickson, Inc.
3535 Vadnais Center Drive
St. Paul, MN 55110
651.490.2000

NO CHANGES ARE TO BE MADE TO THIS DRAWING WITHOUT WRITTEN PERMISSION OF THE TOWN OF PARKER.

SEEDING AND MULCHING MAINTENANCE NOTES

1. THE EROSION CONTROL SUPERVISOR SHALL REGULARLY INSPECT THE SEEDING AND MULCHING.
2. ANY SEEDED AND MULCHED AREAS THAT BECOME DAMAGED SHALL BE REPAIRED WITHIN THE TIME FRAME SPECIFIED BY THE TOWN'S INSPECTOR.

WEED MANAGEMENT

1. ALL HERBICIDES SHALL BE APPLIED BY COMMERCIAL PESTICIDE APPLICATORS LICENSED BY THE COLORADO DEPARTMENT OF AGRICULTURE AS QUALIFIED APPLICATORS. THE CONTRACTOR SHALL FURNISH DOCUMENTATION OF SUCH LICENSING PRIOR TO HERBICIDE APPLICATION.
2. HERBICIDE APPLICATION METHOD SHALL BE SUCH THAT PLANT GROWTH OUTSIDE THE DESIGNATED TREATMENT AREAS WILL NOT BE DAMAGED. ALL DAMAGE CAUSED BY IMPROPER HERBICIDE APPLICATION SHALL BE REPAIRED AT THE CONTRACTOR'S EXPENSE.
3. HERBICIDES SHALL BE APPLIED DURING THE APPROPRIATE SEASONS, WHEN TARGET PLANTS ARE ACTIVELY GROWING.
4. AFTER THE GRASS SEED IS ESTABLISHED, APPROPRIATE HERBICIDES SHALL BE APPLIED TO CONTROL THE REMAINING WEEDS TO ENSURE A TIMELY RETURN OF THE FINANCIAL SECURITY. PROPER TIMING OF HERBICIDE APPLICATIONS ARE NECESSARY TO ACHIEVE THE SUPPRESSION OF WEED SEED PRODUCTION AND DEPLETION OF WEED ROOT MASS. ULTIMATELY, THE HERBICIDES USED SHALL BE BASED UPON THE TARGET WEEDS.
5. HERBICIDE TREATMENTS SHALL CONTINUE AT AN APPROPRIATE RATE UNTIL IT IS EVIDENT THAT WEED GROWTH PRESENCE AND GROWTH IS MINIMAL AND MAY BE CONTROLLED THROUGH MOWING AND/OR ANNUAL HERBICIDE TREATMENT.

NO CHANGES ARE TO BE MADE TO THIS DRAWING WITHOUT WRITTEN PERMISSION OF THE TOWN OF PARKER.

TOWN OF PARKER, SEED MIX 1
20% CANADA WILDRYE
15% CRESTED WHEATGRASS
15% SLENDER WHEATGRASS
10% ANNUAL RYEGRASS
10% SHEEP FESCUE
10% BIG BLUESTEM
10% SIDEOTS GRAMA
5% CANADA BLUEGRASS
5% BLUE GRAMA

SEEDING RATE:
DRILLED: 25 LBS/ACRE
BROADCAST: 50 LBS/ACRE

TOWN OF PARKER, SEED MIX 2
22% SLENDER WHEATGRASS
18% SODAR STREAMBANK WHEATGRASS
13% ARIZONA FESCUE
13% BLUE GRAMA
12% BUFFALOGRASS
12% BARLEY OR OATS
5% SPIKE MUHLY
5% INDIAN RICEGRASS

SEEDING RATE:
DRILLED: 25 LBS/ACRE
BROADCAST: 50 LBS/ACRE

TOWN OF PARKER, SEED MIX 3 (LOW-GROWTH MIX)
25% EPHRAIM CRESTED WHEATGRASS
23% SHEEP FESCUE
18% PERENNIAL RYEGRASS
13% CANADA BLUEGRASS
12% BARLEY OR OATS
9% BLUE FESCUE

SEEDING RATE:
DRILLED: 25 LBS/ACRE
BROADCAST: 50 LBS/ACRE

SEED MIX 4:
OTHER SEED MIXES APPROVED BY THE TOWN OF PARKER

NO CHANGES ARE TO BE MADE TO THIS DRAWING WITHOUT WRITTEN PERMISSION OF THE TOWN OF PARKER.

STEEP SLOPES (4:1 OR STEEPER)
(SLOPES STEEPER THEN 4:1 MAY BE SURFACE ROUGHENED IF THE CONTRACTOR FEELS THAT IT IS SAFE TO DO SO)

LESSER SLOPES (4:1 OR LESS)

SURFACE ROUGHENING

NO CHANGES ARE TO BE MADE TO THIS DRAWING WITHOUT WRITTEN PERMISSION OF THE TOWN OF PARKER.

SURFACE ROUGHENING INSTALLATION NOTES

1. SEE CBMP PLAN FOR LOCATION(S) OF SURFACE ROUGHENING.
2. DISTURBED AREAS THAT REMAIN INACTIVE FOR 15 DAYS OR MORE MUST RECEIVE SURFACE ROUGHENING OR ANOTHER APPROVED BMP FROM THE SDCM. DETERMINATION OF JOB SITE INACTIVITY IS AT THE DISCRETION OF THE TOWN'S INSPECTOR.
3. FOR STEEP SLOPES (3:1 OR STEEPER), IT IS ACCEPTABLE TO "TRACK" THE SLOPES, ACCORDING TO THE CBMP DETAILS.
4. SCHEDULES FOR REQUIRING STABILIZATION MAY BE MODIFIED BY THE PERMITEE TO ALLOW FOR SPECIAL CONSIDERATIONS SUCH AS STABILIZING ACCESS AREAS AND AREAS IN CLOSE PROXIMITY TO CONTINUING CONSTRUCTION.

SURFACE ROUGHENING INSPECTION AND MAINTENANCE NOTES

1. THE EROSION CONTROL SUPERVISOR SHALL PROACTIVELY INSPECT THE SURFACE ROUGHENING.

CBMP
CONSTRUCTION BEST MANAGEMENT PRACTICES
SMC
2 OF 3
Oct. 2013

CBMP
CONSTRUCTION BEST MANAGEMENT PRACTICES
SMC
3 OF 3
Oct. 2013

CBMP
CONSTRUCTION BEST MANAGEMENT PRACTICES
SR
1 OF 2
Oct. 2013

CBMP
CONSTRUCTION BEST MANAGEMENT PRACTICES
SR
2 OF 2
Oct. 2013

NO CHANGES ARE TO BE MADE TO THIS DRAWING WITHOUT WRITTEN PERMISSION OF THE TOWN OF PARKER.

STABILIZED STAGING AREA

CONSTRUCTION SITE STABILIZED WITH A MINIMUM OF 3" DIAMETER ANGULAR ROCK (GRANITE OR RECYCLED CONCRETE), USED FOR STAGING, STORAGE, LOADING AND UNLOADING, AND PARKING.

NO CHANGES ARE TO BE MADE TO THIS DRAWING WITHOUT WRITTEN PERMISSION OF THE TOWN OF PARKER.

STABILIZED STAGING AREA INSTALLATION NOTES

1. SEE CBMP PLAN FOR LOCATION OF STAGING AREA. CONTRACTOR MAY MODIFY LOCATION AND SIZE OF STABILIZED STAGING AREA WITH TOWN APPROVAL.
2. STABILIZED STAGING AREA SHALL BE LARGE ENOUGH TO FULLY CONTAIN PARKING, STORAGE, AND LOADING OPERATIONS.
3. THE STABILIZED STAGING AREA SHALL CONSIST OF A MINIMUM OF 3" DIAMETER OF ANGULAR ROCK (GRANITE OR RECYCLED CONCRETE).
4. SSA FOR SMALLER SITES MAY NOT BE PRACTICAL. IN THESE AND SIMILAR SITUATIONS, VARIANCES MAY BE PERMITTED BY THE TOWN.

STABILIZED STAGING AREA INSPECTION AND MAINTENANCE NOTES

1. THE EROSION CONTROL SUPERVISOR SHALL REGULARLY INSPECT THE STAGING AREA.
2. STABILIZED STAGING AREA SHALL BE ENLARGED AS NECESSARY TO CONTAIN PARKING, STORAGE, LOADING, AND UNLOADING.

NO CHANGES ARE TO BE MADE TO THIS DRAWING WITHOUT WRITTEN PERMISSION OF THE TOWN OF PARKER.

SIDEWALK TRANSITION PROTECTION (AT INTERSECTION)

NOTE:
SEDIMENT CONTROL LOGS (SCL) MAY BE USED IN LIEU OF SILT FENCE (SF) WITH PRIOR APPROVAL FROM TOWN.

NO CHANGES ARE TO BE MADE TO THIS DRAWING WITHOUT WRITTEN PERMISSION OF THE TOWN OF PARKER.

SIDEWALK TRANSITION PROTECTION (ALONG STRAIGHT ROADWAY)

NOTE:
SEDIMENT CONTROL LOGS (SCL) MAY BE USED IN LIEU OF SILT FENCE (SF) WITH PRIOR APPROVAL FROM TOWN.

CBMP
CONSTRUCTION BEST MANAGEMENT PRACTICES
SSA
1 OF 2
Oct. 2013

CBMP
CONSTRUCTION BEST MANAGEMENT PRACTICES
SSA
2 OF 2
Oct. 2013

CBMP
CONSTRUCTION BEST MANAGEMENT PRACTICES
STP
1 OF 3
Oct. 2013

CBMP
CONSTRUCTION BEST MANAGEMENT PRACTICES
STP
2 OF 3
Oct. 2013

NEW HORIZON ACADEMY -
DOUGLAS 234 FILING, NO. 6
PARKER, CO

SEH Project
Checked By
Drawn By

NHOAC 156217
DRH
AMP

Project Status
CONSTRUCTION SET

Issue Date
6/25/2021

Revision Issue

Rev. #	Description	Date

CBMP DETAILS

Save: 6/4/2021 9:54 PM apopp Plot: 6/25/2021 10:05 AM X:\KONNINHOAC\156217\5-final-dsgn\51-drawings\10-Civil\cd\dwg\sheet\Site Plans\C3_1_NHOAC\156217_Erosion Control Plan.dwg



Building a Better World for All of Us®



Owner
New Horizon Academy
3405 Annapolis Lane
N., Suite 100
Plymouth, MN 55447
763.557.1111

Architect
Short Elliott Hendrickson, Inc.
2000 South Colorado Boulevard
Tower One, Suite 6000
Denver, Colorado 80222
720.540.6800

Landscape Architect
Short Elliott Hendrickson, Inc.
10901 Reed Circle Drive
Suite 300
Minnetonka, MN 55343
952.912.2600

Civil Engineer
Short Elliott Hendrickson, Inc.
2000 South Colorado Boulevard
Tower One, Suite 6000
Denver, Colorado 80222
720.540.6800

Structural Engineer
Short Elliott Hendrickson, Inc.
3535 Vadnais Center Drive
St. Paul, MN 55110
651.490.2000

Mechanical Engineer
Short Elliott Hendrickson, Inc.
3535 Vadnais Center Drive
St. Paul, MN 55110
651.490.2000

Electrical Engineer
Short Elliott Hendrickson, Inc.
3535 Vadnais Center Drive
St. Paul, MN 55110
651.490.2000

**NEW HORIZON ACADEMY -
DOUGLAS 234 FILING, NO. 6**
PARKER, CO

This drawing is an instrument of service and shall remain the property of Short Elliott Hendrickson, Inc. (SEH). This drawing and the concepts and ideas contained herein shall not be used, reproduced, revised, or retained without the express written approval of SEH.

Submission or distribution of this drawing to meet official or regulatory requirements or for other purposes in connection with the project is not to be construed as publication in derogation of any of the rights of SEH.

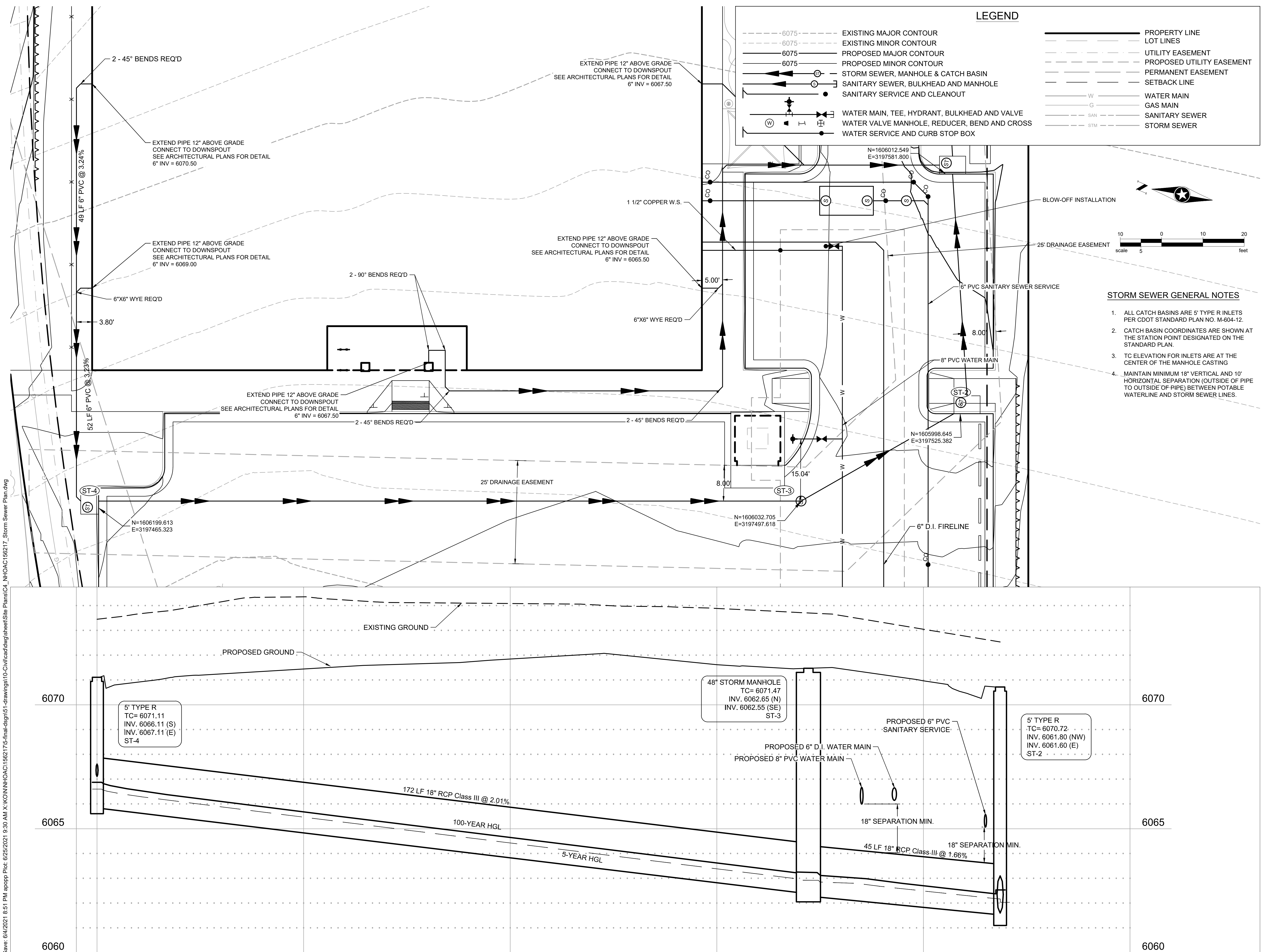
SEH Project Checked By Drawn By
NHOAC 156217 DRH AMP

Project Status Issue Date
CONSTRUCTION SET 6/25/2021

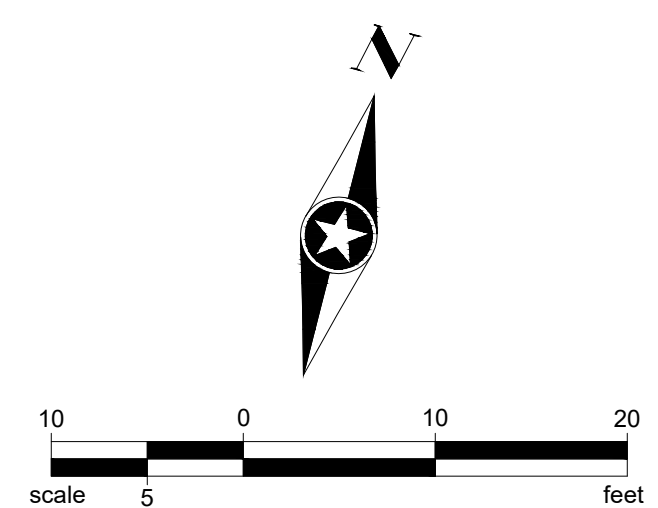
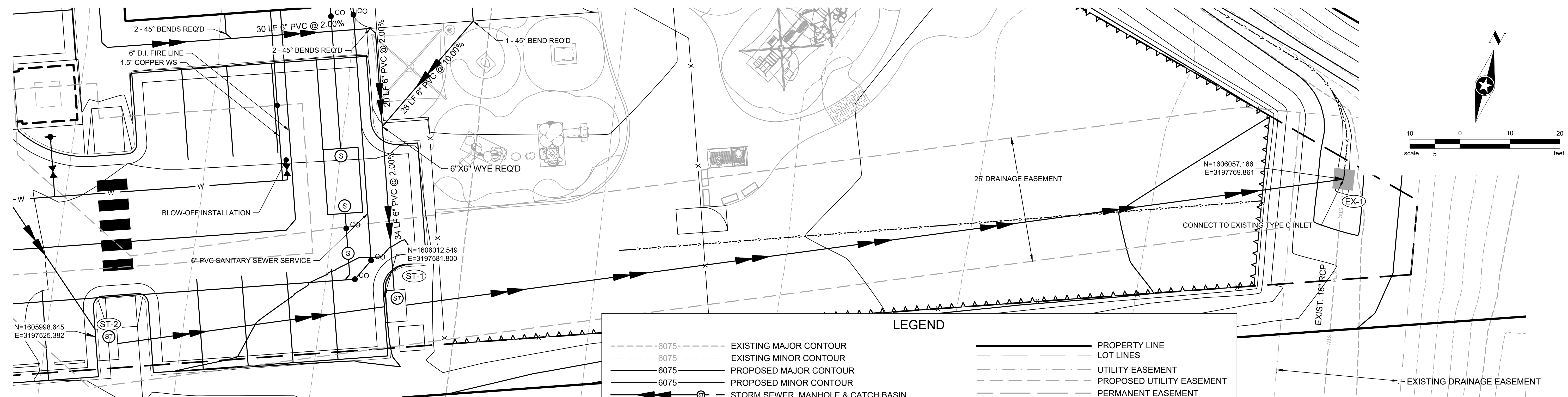
Revision Issue
Rev. # Description Date

STORM SEWER PLAN -
PARKING LOT

C4.0



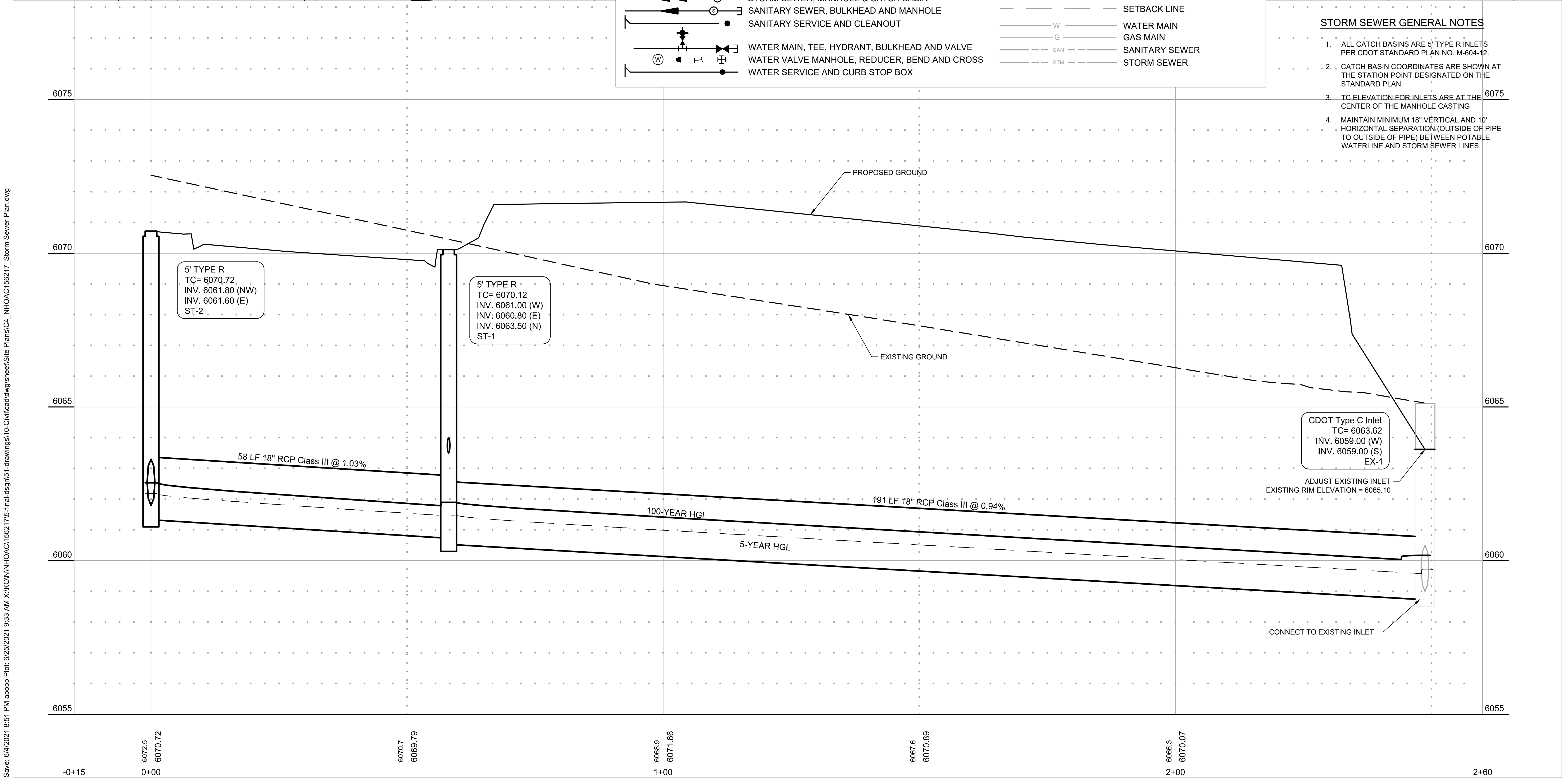
Save: 6/4/2021 8:51 PM apopp Plot: 6/25/2021 9:30 AM X:\K\N\H\OAC\156217\5-final-dgn\51-drawings\10-Civil\cadd\dwg\sheet\Site Plans\C4_NHOAC\156217_Storm Sewer Plan.dwg



LEGEND

--- 6075 ---	EXISTING MAJOR CONTOUR	---	PROPERTY LINE
--- 6075 ---	EXISTING MINOR CONTOUR	---	LOT LINES
--- 6075 ---	PROPOSED MAJOR CONTOUR	---	UTILITY EASEMENT
--- 6075 ---	PROPOSED MINOR CONTOUR	---	PROPOSED UTILITY EASEMENT
--- 6075 ---	STORM SEWER, MANHOLE & CATCH BASIN	---	PERMANENT EASEMENT
--- 6075 ---	SANITARY SEWER, BULKHEAD AND MANHOLE	---	SETBACK LINE
--- 6075 ---	SANITARY SERVICE AND CLEANOUT	---	WATER MAIN
--- 6075 ---	WATER MAIN, TEE, HYDRANT, BULKHEAD AND VALVE	---	GAS MAIN
--- 6075 ---	WATER VALVE MANHOLE, REDUCER, BEND AND CROSS	---	SANITARY SEWER
--- 6075 ---	WATER SERVICE AND CURB STOP BOX	---	STORM SEWER

- STORM SEWER GENERAL NOTES**
- ALL CATCH BASINS ARE 5' TYPE R INLETS PER CDOT STANDARD PLAN NO. M-604-12.
 - CATCH BASIN COORDINATES ARE SHOWN AT THE STATION POINT DESIGNATED ON THE STANDARD PLAN.
 - TC ELEVATION FOR INLETS ARE AT THE CENTER OF THE MANHOLE CASTING
 - MAINTAIN MINIMUM 18" VERTICAL AND 10' HORIZONTAL SEPARATION (OUTSIDE OF PIPE TO OUTSIDE OF PIPE) BETWEEN POTABLE WATERLINE AND STORM SEWER LINES.



Save: 6/4/2021 8:51 PM apopp Plot: 6/25/2021 9:33 AM X:\K\WIN\HOCAC156217\5-final-dgn\51-drawings\10-Civil\cadd\sheet\Site Plans\C4_NHOAC156217_Storm Sewer Plan.dwg



Owner
New Horizon Academy
3405 Annapolis Lane
N, Suite 100
Plymouth, MN 55447
763.557.1111

Architect
Short Elliott Hendrickson, Inc.
2000 South Colorado Boulevard
Tower One, Suite 6000
Denver, Colorado 80222
720.540.6800

Landscape Architect
Short Elliott Hendrickson, Inc.
10901 Red Circle Drive
Suite 300
Minnetonka, MN 55343
952.912.2600

Civil Engineer
Short Elliott Hendrickson, Inc.
2000 South Colorado Boulevard
Tower One, Suite 6000
Denver, Colorado 80222
720.540.6800

Structural Engineer
Short Elliott Hendrickson, Inc.
3535 Vadnais Center Drive
St. Paul, MN 55110
651.490.2000

Mechanical Engineer
Short Elliott Hendrickson, Inc.
3535 Vadnais Center Drive
St. Paul, MN 55110
651.490.2000

Electrical Engineer
Short Elliott Hendrickson, Inc.
3535 Vadnais Center Drive
St. Paul, MN 55110
651.490.2000

NEW HORIZON ACADEMY -
DOUGLAS 234 FILING, NO. 6
 PARKER, CO

This drawing is an instrument of service and shall remain the property of Short Elliott Hendrickson, Inc. (SEH). This drawing and the concepts and ideas contained herein shall not be used, reproduced, revised, or retained without the express written approval of SEH.

Submission or distribution of this drawing to meet official or regulatory requirements or for other purposes in connection with the project is not to be construed as publication in derogation of any of the rights of SEH.

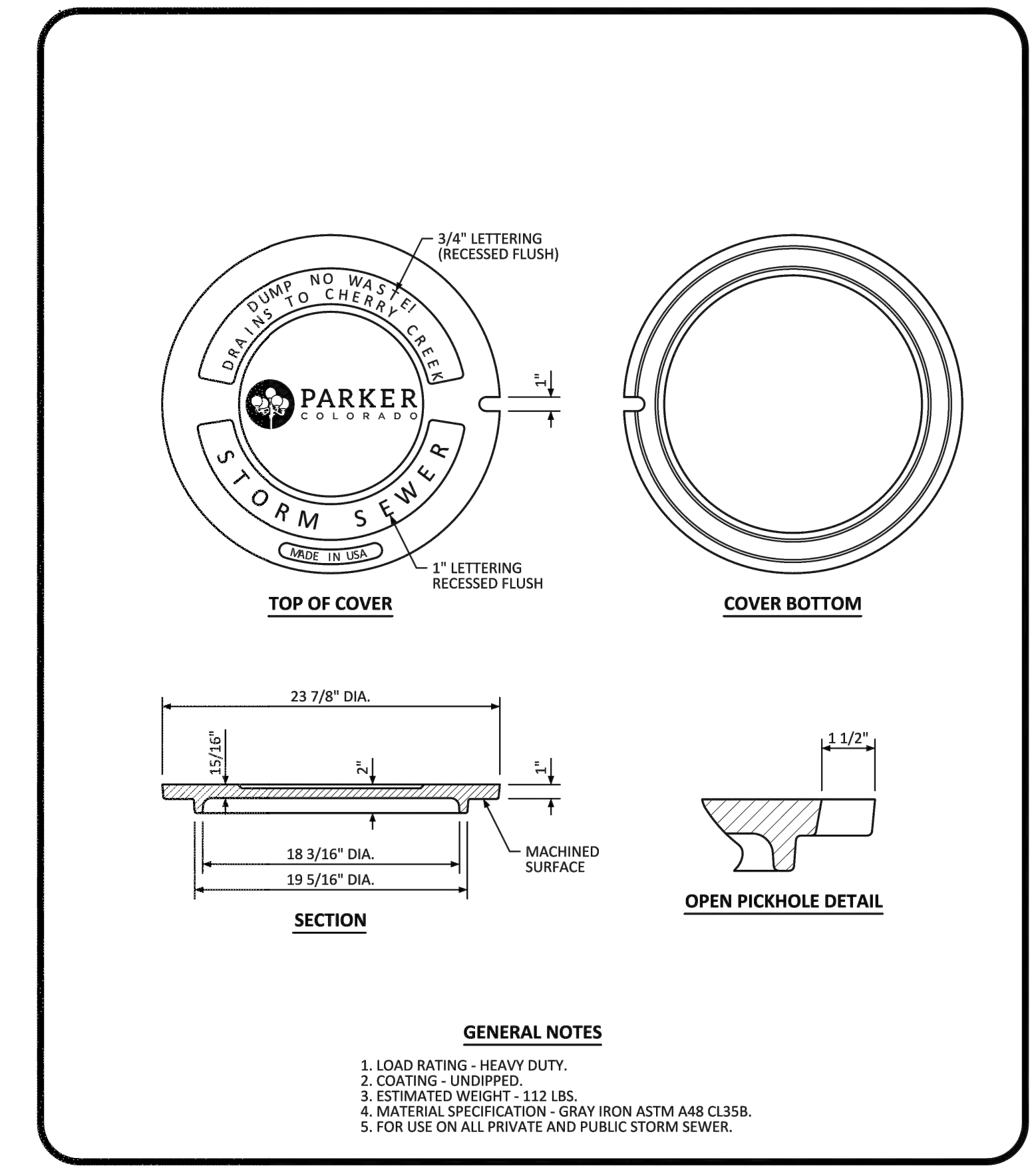
SEH Project Checked By Drawn By

Project Status: CONSTRUCTION SET
Issue Date: 6/25/2021

Rev. #	Description	Date

STORM SEWER PLAN - PLAYGROUND

C4.1



MANHOLE COVER STANDARD DETAIL

DATE: DECEMBER 2016

DETAIL: 33

1 OF 1

PIPE INSTALLATION
(WITH 0.7 PROJECTION RATIO)

GENERAL NOTES

- FILL HEIGHTS GREATER THAN MAXIMUM ALLOWED IN THE HEIGHTS OF FILL TABLE ON THIS SHEET REQUIRE SPECIAL DESIGN OF STRUCTURE.
- PIPE DESIGN IS BASED ON SAFETY FACTOR OF 1.33 ON ULTIMATE STRENGTH.
- THE HEIGHTS OF FILL OVER TOP OF PIPE ARE BASED ON UNIT WEIGHT OF SOIL AT 135 LBS PER CUBIC FT.
- PIPE CLASS IS DETERMINED FROM 0.01 IN. CRACK D-LOAD.
- BEDDING IS CLASS B (MODIFIED) FROM CONCRETE PIPE DESIGN MANUAL-AMERICAN CONCRETE PIPE ASSOCIATION WITH SETTLEMENT RATIO R = 0.04 (YIELDING BED). BEDDING MATERIAL FOR RIGID PIPE IN SOIL SHALL BE 3 IN. LOOSE THICKNESS STRUCTURE BACKFILL CLASS 2. BEDDING MATERIAL FOR RIGID PIPE IN ROCK SHALL BE 12 IN. LOOSE THICKNESS STRUCTURE BACKFILL CLASS 1.
- CHANGES IN DESIGN FACTORS REQUIRE COMPENSATING CHANGES IN PIPE DESIGN.
- MINIMUM WALL THICKNESS DIMENSIONS ARE BASED ON ASHTO M 170 (WALL B) FOR CIRCULAR PIPE, AND ASHTO M 207 FOR ELLIPTICAL PIPE.
- SPACING FOR MULTIPLE PIPE INSTALLATIONS SHALL CONFORM TO THE DETAILS SHOWN ON STANDARD PLAN M-200-1.
- WHEN A PIPE IS TO BE EXTENDED, THE SAME PIPE MATERIAL AND SIZE AS IN THE ORIGINAL PIPE INSTALLATION SHALL BE USED.

NONREINFORCED CONCRETE PIPE

- AT THE OPTION OF THE CONTRACTOR, NONREINFORCED CONCRETE PIPE CONFORMING TO ASHTO M 88 MAY BE USED IN LIEU OF REINFORCED CONCRETE PIPE FOR ALL SIZES 36 INCHES IN DIAMETER AND SMALLER. THE NONREINFORCED CONCRETE PIPE SHALL MEET THE SAME D-LOAD TO PROVIDE THE ULTIMATE LOAD UNDER THE THREE-EDGE BEARING METHOD AS SPECIFIED FOR REINFORCED CONCRETE PIPE IN CONFORMANCE WITH ASHTO M 170. THE CONTRACTOR SHALL PROVIDE WRITTEN CERTIFICATION OF CONFORMANCE. THE WALL THICKNESS OF THE NONREINFORCED PIPE MAY BE INCREASED AS REQUIRED TO MEET D-LOAD REQUIREMENT.
- ALL REQUIREMENTS FOR REINFORCED CONCRETE PIPE, EXCEPT THOSE REFERRING TO REINFORCEMENT, SHALL APPLY TO NONREINFORCED CONCRETE PIPE.

REINFORCED CONCRETE PIPE

HEIGHT OF FILL OVER TOP OF PIPE, H (FEET)

TYPE OF PIPE	CLASS OF PIPE (0.01 IN. CRACK D-LOAD)			
	CLASS CIR II CLASS VE II 1000 D	CLASS CIR III CLASS VE III 1350 D	CLASS CIR IV CLASS VE IV 2000 D	CLASS VE I 4000 D
CIRCULAR (CIR)	1 TO 18	1 TO 25	± 25 TO 37	± 37 TO 45
VERTICAL ELLIPTICAL (VE)	1 TO 18	1 TO 25	± 25 TO 37	± 37 TO 45
HORIZONTAL ELLIPTICAL (HE)	1 TO 18	1 TO 25	± 25 TO 37	± 45 TO 62

ALLOWABLE RANGE OF HEIGHTS FOR FILL OVER REINFORCED CONCRETE PIPE (ALL SIZES)

TYPE OF PIPE	CLASS OF PIPE (0.01 IN. CRACK D-LOAD)	HEIGHT OF FILL OVER TOP OF PIPE, H (FEET)
CIRCULAR (CIR)	CLASS CIR II	1 TO 18
CIRCULAR (CIR)	CLASS CIR III	1 TO 25
CIRCULAR (CIR)	CLASS CIR IV	± 25 TO 37
CIRCULAR (CIR)	CLASS VE I	± 37 TO 45
VERTICAL ELLIPTICAL (VE)	CLASS VE II	1 TO 18
VERTICAL ELLIPTICAL (VE)	CLASS VE III	1 TO 25
VERTICAL ELLIPTICAL (VE)	CLASS VE IV	± 25 TO 37
VERTICAL ELLIPTICAL (VE)	CLASS VE I	± 37 TO 45
HORIZONTAL ELLIPTICAL (HE)	CLASS VE I	± 45 TO 62

CONCRETE PIPE WITH END SECTIONS

CONCRETE PIPE WITHOUT END SECTIONS

MINIMUM COVER FOR RIGID PIPE

CONSTRUCTION

Computer File Information

Creation Date: 07/31/19
Designer Initials: JBK
Last Modification Date: 07/31/19
Drafter Initials: LTA
CAD Ver.: MicroStation V8 Scale: Not to Scale Units: English

Sheet Revisions

Date	Comments

Colorado Department of Transportation
2829 West Howard Place
CDOT HQ, 3rd Floor
Denver, CO 80204
Phone: 303-757-9021 FAX: 303-757-9868

Project Development Branch JBK

REINFORCED CONCRETE PIPE

STANDARD PLAN NO. M-603-2

Standard Sheet No. 1 of 1

Issued by the Project Development Branch July 31, 2019 Project Sheet Number:

GENERAL NOTES:

- FOR LENGTH (L) 10 FT. OR MORE, PROVIDE MAINTENANCE ACCESS AT BOTH ENDS WITH AN ADDITIONAL MANHOLE RING AND COVER. CURB REINFORCEMENT BAR ACCORDINGLY.
- STATION POINT AT MIDPOINT OF INLET ALONG FLOWLINE.
- WHEN A TYPE R INLET IS USED WITH MOUNTABLE CURB AND GUTTER, 5 FT. TRANSITION SHALL BE PAID FOR AS CURB AND GUTTER.
- MEET SHAPE OF NORMAL BARRIER CURB AND GUTTER HERE.
- FOR A 1'-0" PAN SLOPE 2" PER FT.
- PLACE ENTIRE ASSEMBLY BEFORE POURING CONCRETE.

SECTION A-A REGULAR INLET

SECTION A-A INLET WITH DROP BOX ~ H>5 FT.

SECTION B-B END VIEW

TRANSITION CURB

CURB FACE ASSEMBLY

SECTIONS C-C & D-D (DOTTED BARS ARE IN SECTION D-D)

Computer File Information

Creation Date: 07/04/12
Last Modification Date: 07/04/12
Full Path: www.coloradodot.com/info/business/designsupport
Drawing File Name: 6040120102.dgn
CAD Ver.: MicroStation V8 Scale: Not to Scale Units: English

Sheet Revisions

Date	Comments

Colorado Department of Transportation
4201 East Arkansas Avenue
Denver, Colorado 80222
Phone: (303) 757-9083
Fax: (303) 757-9820

Project Development Branch DD/LTA

CURB INLET TYPE R

STANDARD PLAN NO. M-604-12

Sheet No. 1 of 2

Issued By: Project Development Branch July 4, 2012

SEE TOWN OF PARKER MANHOLE COVER DETAIL ON THIS SHEET FOR LID DETAIL

GENERAL NOTES

- CONCRETE SHALL BE CLASS B. INLET MAY BE CAST-IN-PLACE OR PRECAST.
- CONCRETE WALLS SHALL BE FORMED ON BOTH SIDES AND SHALL BE 8 IN. THICK.
- INLET STEPS SHALL BE IN CONFORMANCE WITH ASHTO M 199.
- CURB FACE ASSEMBLY SHALL BE GALVANIZED AFTER WELDING.
- EXPOSED CONCRETE CORNERS SHALL BE CHAMFERED ¼ IN. CURB AND GUTTER CORNERS SHALL BE FINISHED TO MATCH THE EXISTING CURB AND GUTTER BEYOND THE TRANSITION GUTTER.
- REINFORCING BARS SHALL BE DEFORMED AND SHALL HAVE A 2 IN. MINIMUM CLEARANCE. ALL REINFORCING BARS SHALL BE EPOXY COATED.
- DIMENSIONS AND WEIGHTS OF TYPICAL MANHOLE RING AND COVER ARE NOMINAL.
- MATERIAL FOR MANHOLE RINGS AND COVERS SHALL BE GRAY OR DUCTILE CAST IRON IN ACCORDANCE WITH SUBSECTION 712.06.
- SINCE PIPE ENTRIES INTO THE INLET ARE VARIABLE, THE DIMENSIONS SHOWN ARE TYPICAL. ACTUAL DIMENSIONS AND QUANTITIES FOR CONCRETE AND REINFORCEMENT SHALL BE AS REQUIRED IN THE WORK QUANTITIES INCLUDE VOLUMES OCCUPIED BY PIPES.
- STRUCTURAL STEEL SHALL BE GALVANIZED AND SHALL BE IN ACCORDANCE WITH SUBSECTION 712.06.
- ALL MANHOLE COVERS SHALL BE CAST WITH A "NO DUMPING DRAINS TO STREAM" MESSAGE AND A FISH SYMBOL. THE SURFACE OF THE MANHOLE COVER SHALL HAVE A NON-SLIP PATTERN.

TABLE ONE ~ BAR LIST FOR CURB INLETS, TYPE "R"

MARK	BAR #	SIZE	O.C. SPACING	TYPE	INLETS: H ≤ 5 FT.						INLETS: H > 5 FT.					
					L = 5 FT.		L = 10 FT.		L = 15 FT.		L = 5 FT.		L = 10 FT.		L = 15 FT.	
					NO. REQ'D.	LENGTH	NO. REQ'D.	LENGTH	NO. REQ'D.	LENGTH	NO. REQ'D.	LENGTH	NO. REQ'D.	LENGTH	NO. REQ'D.	LENGTH
401	4	11"	11"	II	15	*	21	*	28	*	11	*	11	*		
402	4	11"	11"	II	7	*	13	*	18	*	7	*	7	*		
403	4	9"	11"	II	*	4'-0"	*	4'-0"	*	4'-0"	*	4'-0"	*	4'-0"		
405	4	6"	VI	II	6'-10"	21	6'-10"	31	6'-10"	11	6'-10"	11	6'-10"			
406	4	6"	VIII	II	7	8'-10"	7	13'-10"	7	8'-10"	7	8'-10"	7	8'-10"		
407	4	9"	II	II	*	5'-10"	*	10'-10"	*	5'-10"	*	5'-10"	*			
408	4	12"	II	II	3	8'-10"	3	11'-10"	3	8'-10"	3	8'-10"	3	8'-10"		
409	4	8"	II	II	6	3'-10"	6	10'-10"	6	3'-10"	6	3'-10"	6	3'-10"		
410	4	11"	VII	II												
411	4	11"	II	II						3	5'-2"	3	10'-2"			
412	4	11"	II	II						3	2'-0"	3	2'-0"			
413	4	9"	II	II						7	10'-10"	7	10'-10"			
501	5	5 1/2"	IV	II	3'-4"	22	3'-4"	33	3'-4"	22	3'-4"	33	3'-4"			
502	5	5 1/2"	III	II	5	3'-6"	16	3'-6"	27	3'-6"	11	11'-6"	17	11'-6"		
503	5	5 1/2"	II	II	5	3'-6"	16	3'-6"	27	3'-6"	6	3'-6"	6	3'-6"		
504	5	5 1/2"	IX	II												
601	6	2 1/2"	V	II	2	8'-10"	2	8'-10"	2	8'-10"	2	8'-10"	2	8'-10"		
8EB.5					1	5'-10"	1	10'-10"	1	15'-10"	1	10'-10"	1	15'-10"		

TABLE TWO ~ BARS AND QUANTITIES VARIABLE WITH "H"

"H"	LENGTH	REGULAR		DROP BOX		L = 5 FT.		L = 10 FT.		L = 15 FT.	
		NO. REQ'D.	CONC. STEEL LBS.	NO. REQ'D.	CONC. STEEL LBS.	CONC. STEEL CU. YDS.	STEEL LBS.	CONC. STEEL CU. YDS.	STEEL LBS.	CONC. STEEL CU. YDS.	STEEL LBS.
3'-0"	2'-8"	10	7			3.2	285	5.3	497	7.4	706
3'-6"	3'-2"	10	7			3.4	305	5.7	528	7.9	747
4'-0"	3'-8"	12	9			3.7	326	6.0	559	8.4	786
4'-6"	4'-2"	12	9			3.9	334	6.4	571	8.8	803
5'-0"	4'-8"	14	11			4.1	354	6.7	602	9.3	844
5'-6"	5'-2"	16	13			4.4	375	7.0	620	9.7	870
6'-0"	5'-8"	16	13			4.6	382	7.2	636	9.9	880
6'-6"	6'-2"	18	15			4.8	402	7.4	657	10.2	907
7'-0"	6'-8"	20	17			5.0	423	7.6	671	10.5	924
7'-6"	7'-2"	20	17			5.3	450	7.8	684	10.7	934
8'-0"	7'-8"	22	19			5.5	471	8.0	702	10.9	944
8'-6"	8'-2"	24	21			5.7	471	8.2	717	11.1	954
9'-0"	8'-8"	24	21			6.0	479	8.4	726	11.2	954
9'-6"	9'-2"	26	23			6.2	499	8.6	742	11.4	974
10'-0"	9'-8"	28	25			6.4	520	8.8	749	11.6	992
10'-6"	10'-2"	28	25			6.7	527	9.0	759	11.7	1001
11'-0"	10'-8"	30	27			6.9	547	9.2	779	11.9	1022

CHANNEL LAYOUT DETAILS

BAR BENDING DIAGRAMS ~ (DIMENSIONS ARE OUT-TO-OUT OF BAR)

TYPE II, TYPE III, TYPE IV, TYPE V, TYPE VI, TYPE VII, TYPE VIII, TYPE X

Computer File Information

Creation Date: 07/04/12
Last Modification Date: 07/04/12
Full Path: www.coloradodot.com/info/business/designsupport
Drawing File Name: 6040120202.dgn
CAD Ver.: MicroStation V8 Scale: Not to Scale Units: English

Sheet Revisions

Date	Comments

Colorado Department of Transportation
4201 East Arkansas Avenue
Denver, Colorado 80222
Phone: (303) 757-9083
Fax: (303) 757-9820

Project Development Branch DD/LTA

CURB INLET TYPE R

STANDARD PLAN NO. M-604-12

Sheet No. 2 of 2

Issued By: Project Development Branch July 4, 2012

GENERAL NOTES

- SINCE ALL PIPE ENTRIES INTO THE BASE ARE VARIABLE, THE DIMENSIONS SHOWN ARE TYPICAL ACTUAL DIMENSIONS AND QUANTITIES FOR CONCRETE AND REINFORCEMENT SHALL BE AS REQUIRED IN THE WORK.
- THE PRECAST FLAT TOP MAY BE USED ON ANY MANHOLE, THE ECCENTRIC CONE MAY BE USED WHEN THE MANHOLE 1/4" HEIGHT IS AT LEAST 8 FT.
- THE MANHOLE RING FRAME SHALL BE SET IN A BED OF GROUT. THE FRAME SHALL BE SURROUNDED WITH A CEMENT GROUT IN UNPAVED AREA, OR A CONCRETE COLLAR IN PAVED AREA. SEE DETAILS ON SHEETS 2 AND 3.
- DESIGN OF BOX BASE IS BASED ON STRAIGHT RUNS OF PIPE OR CHANGE IN DIRECTION OF LESS THAN 45°. SPECIAL DESIGN IS REQUIRED FOR 45° OR GREATER.
- PRECAST MANHOLES AND REINFORCEMENT SHALL CONFORM TO AASHTO M 199 (ASTM C 478).
- CAST-IN-PLACE MANHOLES SHALL BE CLASS B CONCRETE.
- STEPS SHALL BE REQUIRED WHEN THE MANHOLE DEPTH EXCEEDS 3 FT.-6 IN. AND SHALL CONFORM TO AASHTO M 199.
- ALL REINFORCING STEEL SHALL BE GRADE 60 AND EPOXY COATED. VERTICAL STEEL SHALL BE PLACED AT CENTERLINE OF WALL. ALL BARS SHALL HAVE A 2 IN. MINIMUM CLEARANCE.
- ALL PIPE ENTRIES INTO THE BASE OF MANHOLE SHALL BE CONNECTED BY OPEN CHANNELIZATION ADJUSTED FOR PIPE SIZE, SLOPE, AND DIRECTION OF FLOW. DETAILS SHOW ARE TYPICAL FOR INSTALLATIONS WITH ALL INVERTS OF SAME RELATIVE ELEVATION. FOR EXCESSIVE ELEVATION DIFFERENCE BETWEEN INVERTS, SPECIAL BASE CHANNEL DETAILS WILL BE SHOWN ON THE PLANS.
- FLOW CHANNELS AND INVERTS SHALL BE FORMED BY SHAPING WITH CLASS B CONCRETE OR APPROVED GROUT.
- STUB-OUTS SHALL EXTEND 2 FT. MINIMUM BEYOND OUTSIDE WALL SURFACE OF MANHOLE AND BE SATISFACTORILY PLUGGED.
- THE SLOPE OF THE MANHOLE COVER SHALL MATCH THE ROADWAY PROFILE AND CROSS SLOPE.
- WHEN FINAL GRADE IS PAVEMENT SURFACE, RECESS MANHOLE RING AND COVER 1/4" MIN. TO 1/2" MAX.

QUANTITIES FOR CONCRETE MANHOLE BOX BASE

MARK	SIZE	TYPE	WT. #/FT.	BARS	54"	60"	66"	72"	84"	96"	FORMULAS					
401	4	I	0.668	(NO. REQ'D.) (LENGTH) (WEIGHT #)	18 8'-11" 97.2	18 8'-8" 104.2	18 8'-5" 111.2	18 8'-2" 118.2	18 7'-11" 125.2	18 7'-8" 132.3	401 BAR LENGTH = 32" + 2W + I.D.					
402	4	III	0.668	(NO. REQ'D.) (LENGTH) (WEIGHT #)	5 7'-5" 18.1	5 7'-2" 18.1	5 6'-9" 20.0	5 6'-6" 22.0	5 6'-3" 23.9	5 6'-0" 27.8	402 BAR LENGTH = I.D. + 2W					
501	5	I	1.043	(NO. REQ'D.) (LENGTH) (WEIGHT #)	17 7'-5" 131.5	17 7'-2" 141.8	17 6'-9" 152.2	17 6'-6" 162.5	17 6'-3" 173.2	17 6'-0" 183.9	501 BAR LENGTH = 24" + I.D. + 2W					
502	5	I	1.043	(NO. REQ'D.) (LENGTH) (WEIGHT #)	22 7'-5" 141.7	22 7'-2" 151.9	22 6'-9" 162.2	22 6'-6" 172.5	22 6'-3" 182.8	22 6'-0" 193.1	502 NUMBER BARS REQ'D. = 3 + (24+I.D.+2W) / 5"					
503	5	II	1.043	(NO. REQ'D.) (LENGTH) (WEIGHT #)	18 7'-5" 131.5	18 7'-2" 141.8	18 6'-9" 152.2	18 6'-6" 162.5	18 6'-3" 173.2	18 6'-0" 183.9	503 NUMBER BARS REQ'D. = 2 (13+I.D.+2W) / 5"					
504	5	I	1.043	(NO. REQ'D.) (LENGTH) (WEIGHT #)	12 7'-5" 131.5	12 7'-2" 141.8	12 6'-9" 152.2	12 6'-6" 162.5	12 6'-3" 173.2	12 6'-0" 183.9	504 NUMBER BARS REQ'D. = 2 (2W+I.D.) / 5"					
1101	11	I	5.313	(NO. REQ'D.) (LENGTH) (WEIGHT #)	7-2" 152.3	7-9" 164.7	7-9" 177.1	8-4" 189.5	10-3" 214.3	11-3" 239.1	1101 BAR LENGTH = 21" + I.D. + 2W					
1102	11	I	5.313	(NO. REQ'D.) (LENGTH) (WEIGHT #)	2-8" 56.7	2-8" 56.7	2-8" 56.7	2-8" 56.7	2-8" 56.7	2-8" 56.7	1102 TYPE I					
1103	11	I	5.313	(NO. REQ'D.) (LENGTH) (WEIGHT #)	5-0" 79.7	5-0" 79.7	5-0" 79.7	5-0" 79.7	5-0" 79.7	5-0" 79.7	1103 TYPE II					
* REINFORCING STEEL TOTAL											195.6	1,037.5	1,027.2	1,034.0	1,390.2	1,601.0
CONCRETE - CUBIC YARDS - TOTAL											6.0	6.6	7.3	8.0	9.5	11.1

NOTE: QUANTITIES ARE BASED ON SAME SIZE PIPE ENTRANCE TO AND EXIT FROM, BASE AND A 4 FT. MANHOLE ENTRANCE INTO TOP SLAB OF BASE.

Computer File Information	Sheet Revisions	Colorado Department of Transportation	STANDARD PLAN NO.
Creation Date: 07/04/12 Initials: DD	Date: Comments	4201 East Arkansas Avenue Denver, Colorado 80222 Phone: (303) 757-9083 Fax: (303) 757-9820	MANHOLES
Last Modification Date: 07/04/12 Initials: LTA		Project Development Branch DD/LTA	M-604-20
Full Path: www.coloradodot.info/business/designsupport			Sheet No. 1 of 3
Drawing File Name: M06040200103.dgn			Issued By: Project Development Branch July 4, 2012
CAD Ver.: MicroStation V8 Scale: Not to Scale Units: English			

T-BASE MANHOLES NOTES

- THE T-BASE SECTION SHALL BE SHOP-FABRICATED FOR DELIVERY TO THE CONSTRUCTION SITE AS A COMPLETE UNIT.
- THESE DETAILS SHOW ONLY THE CONCEPTUAL AND STANDARD DIMENSIONAL REQUIREMENTS FOR TYPE T-BASE MANHOLES. THE CONTRACTOR SHALL FURNISH DETAILED SHOP DRAWINGS FOR APPROVAL, PRIOR TO FABRICATION. THE DETAILS SHOWN HEREIN APPLY ONLY TO 48 IN. AND GREATER DIAMETER PIPES.
- EXCEPT FOR CLASS OF PIPE SPECIFICATIONS FOR THE MANHOLE SHALL BE THE SAME AS THOSE REQUIRED FOR THE ADJOINING PIPE.
- THE T-BASE SECTION SHALL MAINTAIN ITS INTERNAL SHAPE AND FLOW AREA. GROUTING OR FILLING SHALL BE APPLIED SO AS TO NOT DISTURB THE NORMAL FLOW OR REDUCE THE AREA.

MANHOLE T-BASE

Computer File Information	Sheet Revisions	Colorado Department of Transportation	STANDARD PLAN NO.
Creation Date: 07/04/12 Initials: DD	Date: Comments	4201 East Arkansas Avenue Denver, Colorado 80222 Phone: (303) 757-9083 Fax: (303) 757-9820	MANHOLES
Last Modification Date: 07/04/12 Initials: LTA		Project Development Branch DD/LTA	M-604-20
Full Path: www.coloradodot.info/business/designsupport			Sheet No. 2 of 3
Drawing File Name: 6040200303.dgn			Issued By: Project Development Branch July 4, 2012
CAD Ver.: MicroStation V8 Scale: Not to Scale Units: English			

GENERAL NOTES

- SINCE ALL PIPE ENTRIES INTO THE BASE ARE VARIABLE, THE DIMENSIONS SHOWN ARE TYPICAL ACTUAL DIMENSIONS AND QUANTITIES FOR CONCRETE AND REINFORCEMENT SHALL BE AS REQUIRED IN THE WORK.
- THE PRECAST FLAT TOP MAY BE USED ON ANY MANHOLE, THE ECCENTRIC CONE MAY BE USED WHEN THE MANHOLE 1/4" HEIGHT IS AT LEAST 8 FT.
- THE MANHOLE RING FRAME SHALL BE SET IN A BED OF GROUT. THE FRAME SHALL BE SURROUNDED WITH A CEMENT GROUT IN UNPAVED AREA, OR A CONCRETE COLLAR IN PAVED AREA. SEE DETAILS ON SHEETS 2 AND 3.
- DESIGN OF BOX BASE IS BASED ON STRAIGHT RUNS OF PIPE OR CHANGE IN DIRECTION OF LESS THAN 45°. SPECIAL DESIGN IS REQUIRED FOR 45° OR GREATER.
- PRECAST MANHOLES AND REINFORCEMENT SHALL CONFORM TO AASHTO M 199 (ASTM C 478).
- CAST-IN-PLACE MANHOLES SHALL BE CLASS B CONCRETE.
- STEPS SHALL BE REQUIRED WHEN THE MANHOLE DEPTH EXCEEDS 3 FT.-6 IN. AND SHALL CONFORM TO AASHTO M 199.
- ALL REINFORCING STEEL SHALL BE GRADE 60 AND EPOXY COATED. VERTICAL STEEL SHALL BE PLACED AT CENTERLINE OF WALL. ALL BARS SHALL HAVE A 2 IN. MINIMUM CLEARANCE.
- ALL PIPE ENTRIES INTO THE BASE OF MANHOLE SHALL BE CONNECTED BY OPEN CHANNELIZATION ADJUSTED FOR PIPE SIZE, SLOPE, AND DIRECTION OF FLOW. DETAILS SHOW ARE TYPICAL FOR INSTALLATIONS WITH ALL INVERTS OF SAME RELATIVE ELEVATION. FOR EXCESSIVE ELEVATION DIFFERENCE BETWEEN INVERTS, SPECIAL BASE CHANNEL DETAILS WILL BE SHOWN ON THE PLANS.
- FLOW CHANNELS AND INVERTS SHALL BE FORMED BY SHAPING WITH CLASS B CONCRETE OR APPROVED GROUT.
- STUB-OUTS SHALL EXTEND 2 FT. MINIMUM BEYOND OUTSIDE WALL SURFACE OF MANHOLE AND BE SATISFACTORILY PLUGGED.
- THE SLOPE OF THE MANHOLE COVER SHALL MATCH THE ROADWAY PROFILE AND CROSS SLOPE.
- WHEN FINAL GRADE IS PAVEMENT SURFACE, RECESS MANHOLE RING AND COVER 1/4" MIN. TO 1/2" MAX.

QUANTITIES FOR CONCRETE MANHOLE BOX BASE

MARK	SIZE	TYPE	WT. #/FT.	BARS	54"	60"	66"	72"	84"	96"	FORMULAS					
401	4	I	0.668	(NO. REQ'D.) (LENGTH) (WEIGHT #)	18 8'-11" 97.2	18 8'-8" 104.2	18 8'-5" 111.2	18 8'-2" 118.2	18 7'-11" 125.2	18 7'-8" 132.3	401 BAR LENGTH = 32" + 2W + I.D.					
402	4	III	0.668	(NO. REQ'D.) (LENGTH) (WEIGHT #)	5 7'-5" 18.1	5 7'-2" 18.1	5 6'-9" 20.0	5 6'-6" 22.0	5 6'-3" 23.9	5 6'-0" 27.8	402 BAR LENGTH = I.D. + 2W					
501	5	I	1.043	(NO. REQ'D.) (LENGTH) (WEIGHT #)	17 7'-5" 131.5	17 7'-2" 141.8	17 6'-9" 152.2	17 6'-6" 162.5	17 6'-3" 173.2	17 6'-0" 183.9	501 BAR LENGTH = 24" + I.D. + 2W					
502	5	I	1.043	(NO. REQ'D.) (LENGTH) (WEIGHT #)	22 7'-5" 141.7	22 7'-2" 151.9	22 6'-9" 162.2	22 6'-6" 172.5	22 6'-3" 182.8	22 6'-0" 193.1	502 NUMBER BARS REQ'D. = 3 + (24+I.D.+2W) / 5"					
503	5	II	1.043	(NO. REQ'D.) (LENGTH) (WEIGHT #)	18 7'-5" 131.5	18 7'-2" 141.8	18 6'-9" 152.2	18 6'-6" 162.5	18 6'-3" 173.2	18 6'-0" 183.9	503 NUMBER BARS REQ'D. = 2 (13+I.D.+2W) / 5"					
504	5	I	1.043	(NO. REQ'D.) (LENGTH) (WEIGHT #)	12 7'-5" 131.5	12 7'-2" 141.8	12 6'-9" 152.2	12 6'-6" 162.5	12 6'-3" 173.2	12 6'-0" 183.9	504 NUMBER BARS REQ'D. = 2 (2W+I.D.) / 5"					
1101	11	I	5.313	(NO. REQ'D.) (LENGTH) (WEIGHT #)	7-2" 152.3	7-9" 164.7	7-9" 177.1	8-4" 189.5	10-3" 214.3	11-3" 239.1	1101 BAR LENGTH = 21" + I.D. + 2W					
1102	11	I	5.313	(NO. REQ'D.) (LENGTH) (WEIGHT #)	2-8" 56.7	2-8" 56.7	2-8" 56.7	2-8" 56.7	2-8" 56.7	2-8" 56.7	1102 TYPE I					
1103	11	I	5.313	(NO. REQ'D.) (LENGTH) (WEIGHT #)	5-0" 79.7	5-0" 79.7	5-0" 79.7	5-0" 79.7	5-0" 79.7	5-0" 79.7	1103 TYPE II					
* REINFORCING STEEL TOTAL											195.6	1,037.5	1,027.2	1,034.0	1,390.2	1,601.0
CONCRETE - CUBIC YARDS - TOTAL											6.0	6.6	7.3	8.0	9.5	11.1

NOTE: QUANTITIES ARE BASED ON SAME SIZE PIPE ENTRANCE TO AND EXIT FROM, BASE AND A 4 FT. MANHOLE ENTRANCE INTO TOP SLAB OF BASE.

Computer File Information	Sheet Revisions	Colorado Department of Transportation	STANDARD PLAN NO.
Creation Date: 07/04/12 Initials: DD	Date: Comments	4201 East Arkansas Avenue Denver, Colorado 80222 Phone: (303) 757-9083 Fax: (303) 757-9820	MANHOLES
Last Modification Date: 07/04/12 Initials: LTA		Project Development Branch DD/LTA	M-604-20
Full Path: www.coloradodot.info/business/designsupport			Sheet No. 1 of 3
Drawing File Name: M06040200103.dgn			Issued By: Project Development Branch July 4, 2012
CAD Ver.: MicroStation V8 Scale: Not to Scale Units: English			

MANHOLE RING AND COVER

LEGEND

- SUITABLE SUBGRADE
- GRANULAR BEDDING MATERIAL
- CONCRETE

PRECAST MANHOLE BASES NOTES:

- THE BASE SLAB SHALL BE POURED MONOLITHICALLY WITH BOTTOM RING SECTION.
- PRECAST MANHOLE BASES SHALL FIT THE CONDITIONS AND LOCATIONS FOR WHICH THEY ARE INTENDED WITHOUT ANY FIELD MODIFICATIONS. ANY MANHOLE BASE WHICH REQUIRES FIELD CUTTING OR MODIFICATION IN ORDER TO FIT THE LOCATIONS INTENDED WILL BE REJECTED BY THE ENGINEER AND REMOVED AND REPLACED BY THE CONTRACTOR AT NO COST TO THE DEPARTMENT.
- PRECAST MANHOLE BASES SHALL BE BEDDED ON AN APPROVED GRANULAR BEDDING MATERIAL AS SHOWN ABOVE.

Computer File Information	Sheet Revisions	Colorado Department of Transportation	STANDARD PLAN NO.
Creation Date: 07/04/12 Initials: DD	Date: Comments	4201 East Arkansas Avenue Denver, Colorado 80222 Phone: (303) 757-9083 Fax: (303) 757-9820	MANHOLES
Last Modification Date: 07/04/12 Initials: LTA		Project Development Branch DD/LTA	M-604-20
Full Path: www.coloradodot.info/business/designsupport			Sheet No. 2 of 3
Drawing File Name: M06040200303.dgn			Issued By: Project Development Branch July 4, 2012
CAD Ver.: MicroStation V8 Scale: Not to Scale Units: English			

