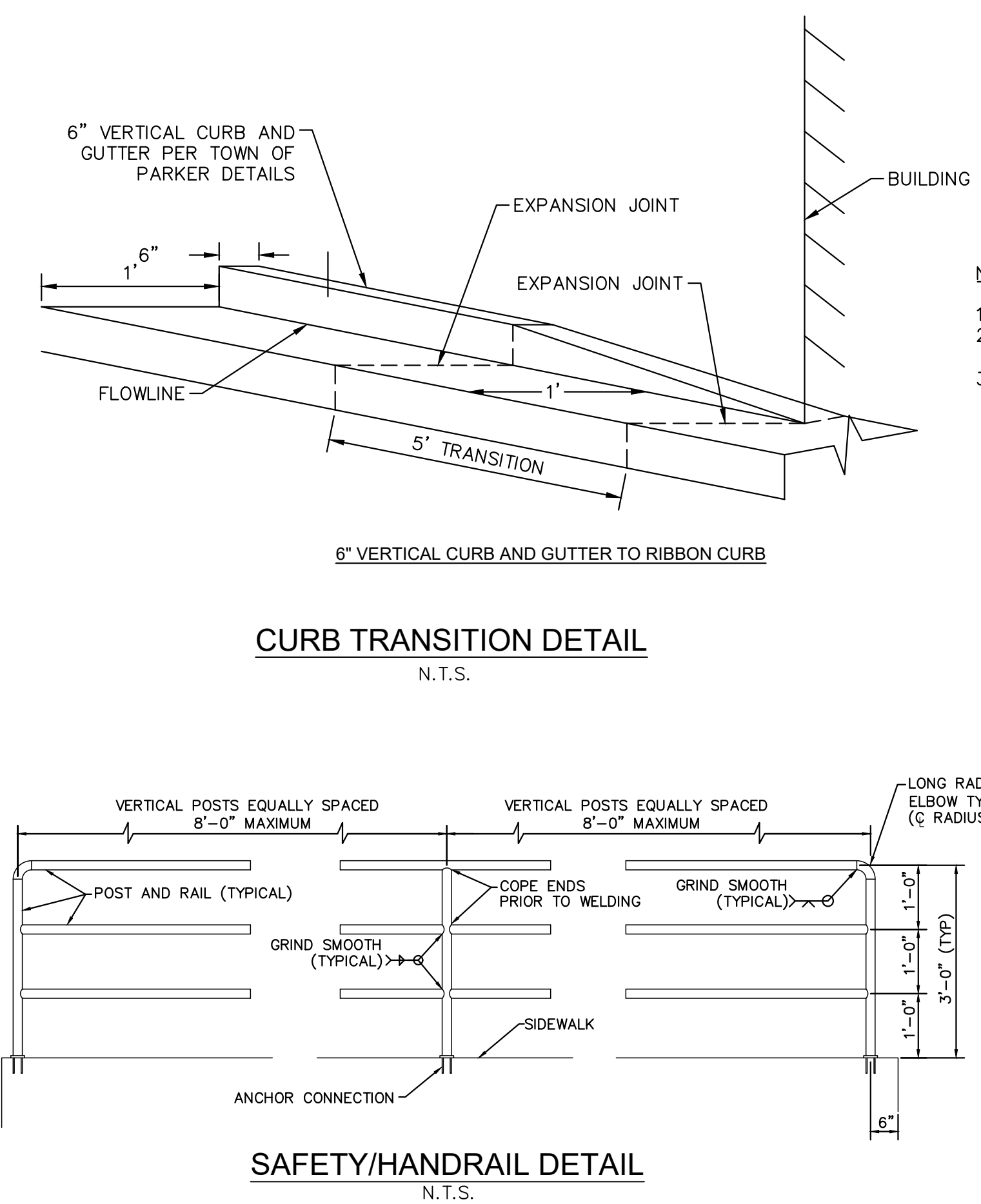


Computer File Information		Sheet Revisions		Colorado Department of Transportation		STANDARD PLAN NO.	
Creation Date: 07/04/12	Initials: DD	Date:	Comments:	4201 East Arkansas Avenue	Denver, Colorado 80222	Project Development Branch	DD/LTA
Last Modification Date: 07/04/12	Initials: LTA			Phone: (303) 757-9083	Fax: (303) 757-9820	Issued By: Project Development Branch	July 4, 2012
Full Path: www.colorado.gov/info/business/designsupport						Sheet No. 1 of 2	
Drawing File Name: 6040120202.dwg							
CAD Ver: MicroStation V8	Scale: Not to Scale						



MARK	BAR #	O.C. SPACING	TYPE	ALL INLETS				INLETS H < 5 FT.				INLETS H > 5 FT.					
				NO. REQ'D	LENGTH	NO. REQ'D	LENGTH	NO. REQ'D	LENGTH	NO. REQ'D	LENGTH	NO. REQ'D	LENGTH	NO. REQ'D	LENGTH		
401	4	11"	II	15	7	15	7	21	11	21	11	11	7	11	7	11	7
402	4	11"	II	7	7	13	13	13	13	13	13	7	7	7	7	7	7
403	4	9"	II	7	7	7	7	7	7	7	7	7	7	7	7	7	7

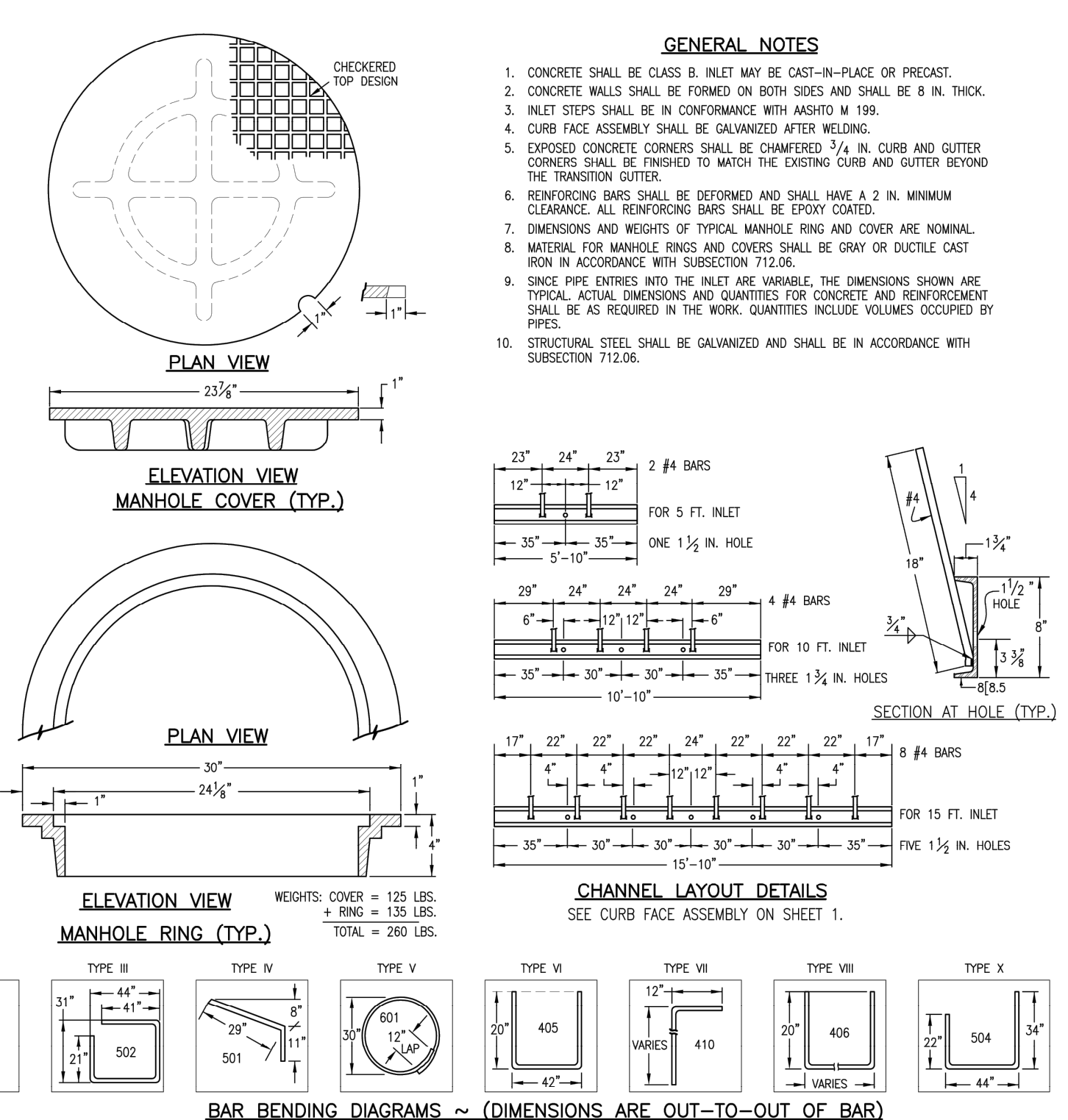


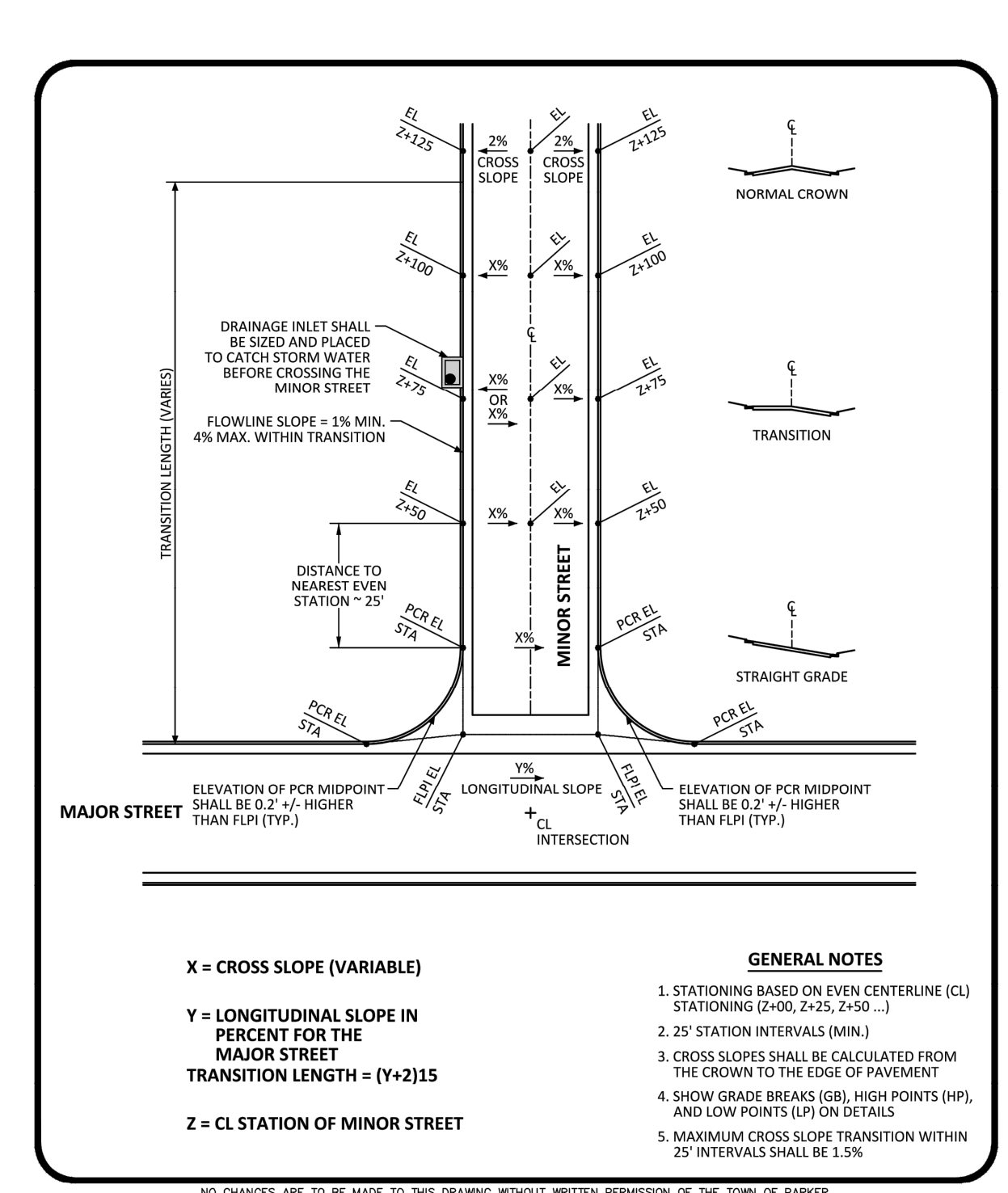
TABLE ONE ~ BAR LIST FOR CURB INLETS, TYPE "R"

"H"	LENGTH	REGULAR		DROP BOX		L = 5 FT.		L = 10 FT.		L = 15 FT.		
		NO. REQ'D	CONC. STEEL	NO. REQ'D	CONC. STEEL	CONC. STEEL	CONC. STEEL	CONC. STEEL	CONC. STEEL	CONC. STEEL	CONC. STEEL	
3'-0"	2'-8"	1'-8"	10	7	3.2	285	5.3	497	7.4	708	7.8	860
3'-0"	3'-2"	2'-2"	10	7	3.4	305	5.7	508	7.9	747	8.1	890
4'-0"	3'-8"	2'-8"	12	9	3.7	326	6.0	559	8.4	788	8.6	944
4'-0"	4'-2"	3'-2"	12	9	3.9	354	6.4	571	8.8	803	9.0	974
5'-0"	4'-8"	3'-8"	14	11	4.1	384	6.7	602	9.3	844	9.5	994
5'-0"	5'-2"	4'-2"	14	11	4.4	375	6.0	607	7.4	850	7.6	860
6'-0"	5'-8"	4'-8"	16	13	4.6	382	6.2	616	7.8	860	8.0	890
6'-0"	6'-2"	5'-2"	16	13	4.8	402	6.4	637	7.8	890	8.0	920
7'-0"	6'-8"	5'-8"	20	17	5.0	423	6.6	654	8.0	897	8.2	944
7'-0"	7'-2"	6'-2"	20	17	5.3	430	6.9	664	8.3	907	8.5	974
8'-0"	7'-8"	6'-8"	22	19	5.5	451	7.1	694	8.5	927	8.7	974
8'-0"	8'-2"	7'-2"	24	21	5.7	471	7.3	702	8.7	944	8.9	994
9'-0"	8'-8"	7'-8"	24	21	6.0	479	7.6	711	9.0	954	9.2	1004
9'-0"	9'-2"	8'-2"	26	23	6.2	489	7.8	732	9.2	974	9.4	1024
10'-0"	9'-8"	8'-8"	28	25	6.4	520	8.0	749	9.4	992	9.6	1054
10'-0"	10'-2"	9'-2"	28	25	6.7	527	8.3	759	9.7	1002	9.9	1074
11'-0"	10'-8"	9'-8"	30	27	6.9	547	8.5	779	9.9	1022	10.1	1094

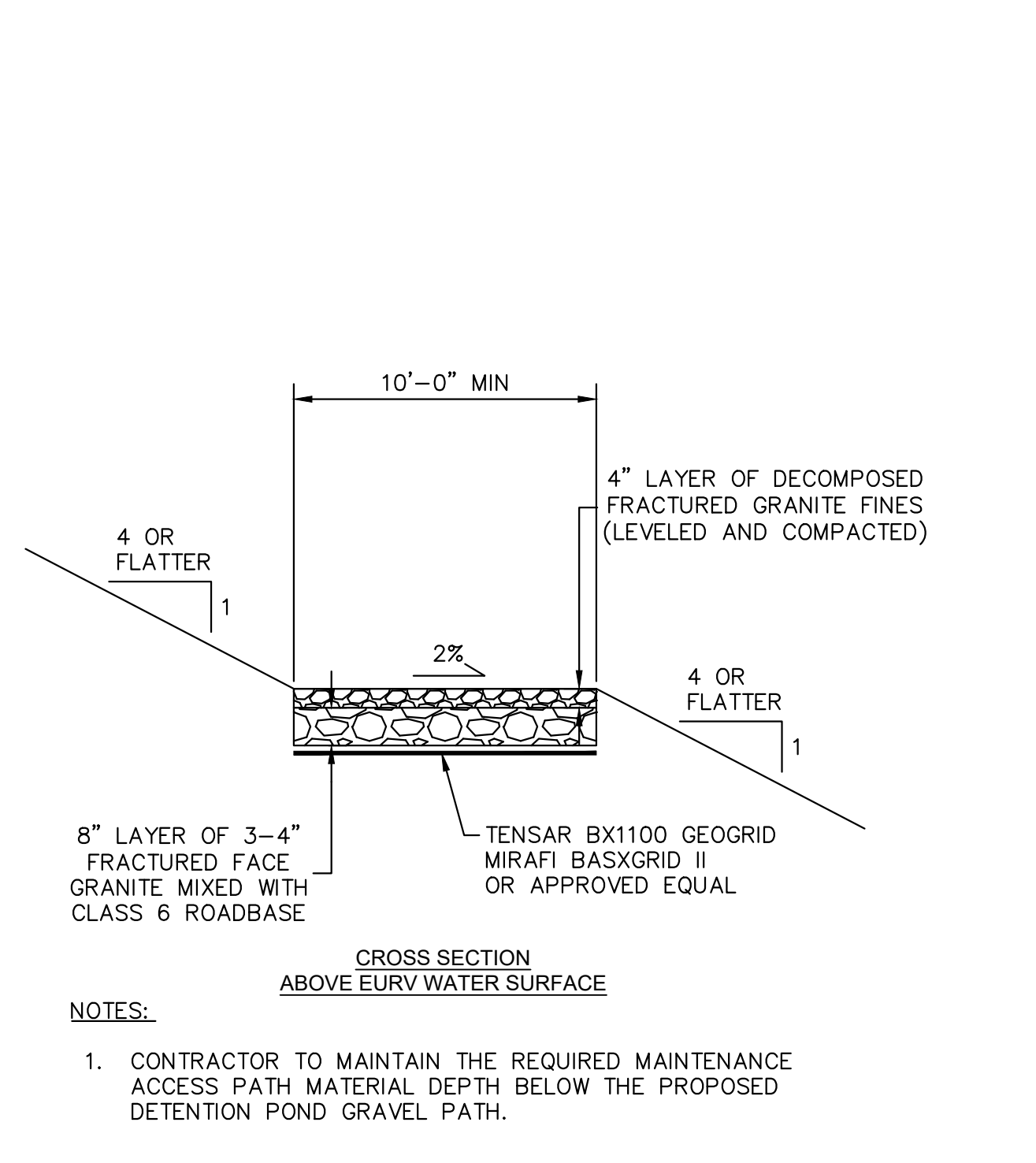
TABLE TWO ~ BARS AND QUANTITIES VARIABLE WITH "H"

"H"	LENGTH	REGULAR		DROP BOX		L = 5 FT.		L = 10 FT.		L = 15 FT.		
		NO. REQ'D	CONC. STEEL	NO. REQ'D	CONC. STEEL	CONC. STEEL	CONC. STEEL	CONC. STEEL	CONC. STEEL	CONC. STEEL	CONC. STEEL	
3'-0"	2'-8"	1'-8"	10	7	3.2	285	5.3	497	7.4	708	7.8	860
3'-0"	3'-2"	2'-2"	10	7	3.4	305	5.7	508	7.9	747	8.1	890
4'-0"	3'-8"	2'-8"	12	9	3.7	326	6.0	559	8.4	788	8.6	944
4'-0"	4'-2"	3'-2"	12	9	3.9	354	6.4	571	8.8	803	9.0	974
5'-0"	4'-8"	3'-8"	14	11	4.1	384	6.7	602	9.3	844	9.5	994
5'-0"	5'-2"	4'-2"	14	11	4.4	375	6.0	607	7.4	850	7.6	860
6'-0"	5'-8"	4'-8"	16	13	4.6	382	6.2	616	7.8	860	8.0	890
6'-0"	6'-2"	5'-2"	16	13	4.8	402	6.4	637	7.8	890	8.0	920
7'-0"	6'-8"	5'-8"	20	17	5.0	423	6.6	654	8.0	897	8.2	944
7'-0"	7'-2"	6'-2"	20	17	5.3	430	6.9	664	8.3	907	8.5	974
8'-0"	7'-8"	6'-8"	22	19	5.5	451	7.1	694	8.5	927	8.7	974
8'-0"	8'-2"	7'-2"	24	21	5.7	471	7.3	702	8.7	944	8.9	994
9'-0"	8'-8"	7'-8"	24	21	6.0	479	7.6	711	9.0	954	9.2	1004
9'-0"	9'-2"	8'-2"	26	23	6.2	489	7.8	732	9.2	974	9.4	1024
10'-0"	9'-8"	8'-8"	28	25	6.4	520	8.0	749	9.4	992	9.6	1054
10'-0"	10'-2"	9'-2"	28	25	6.7	527	8.3	759	9.7	1002	9.9	1074
11'-0"	10'-8"	9'-8"	30	27	6.9	547	8.5	779	9.9	1022	10.1	1094

Computer File Information		Sheet Revisions		Colorado Department of Transportation		STANDARD PLAN NO.	
Creation Date: 07/04/06	Initials: SRJ	Date:	Comments:	4201 East Arkansas Avenue	Denver, Colorado 80222	Project Development Branch	SRJ/LTA
Last Modification Date: 02/04/06	Initials: LTA			Phone: (303) 757-9083	Fax: (303) 757-9820	Issued By: Project Development Branch	July 04, 2006
Full Path: www.dot.state.co.us/DesignSupport/						Sheet No. 2 of 2	
Drawing File Name: 6040120202.dwg							
CAD Ver: MicroStation V8	Scale: Not to Scale						



PARKER	INTERSECTION GRADING DETAIL	DATE	DETAIL
COLORADO	FOR CONSTRUCTION PLANS	DECEMBER 2016	31
	STANDARD DETAIL		1 OF 1



PARKER	DETENTION POND TRAIL CROSSING	DATE	DETAIL
COLORADO	EXISTING MAINTENANCE ROAD DETAIL	DECEMBER 2016	31
	N.T.S.		1 OF 1

Kimley»Horn
 2020 KIMLEY-HORN AND ASSOCIATES, INC.
 4582 South Ulster Street, Suite 1500
 Denver, Colorado 80237 (303) 228-2300

DESIGNED BY: DLS
 DRAWN BY: JRK
 CHECKED BY: DLS
 DATE: 04/19/21

PARKER AND PINE FILING NO. 2 LOTS 1-3
 PARKER, CO
 MULTI-FAMILY CONSTRUCTION DOCUMENTS
 DETAILS

PRELIMINARY
 FOR REVIEW ONLY
 NOT FOR CONSTRUCTION
 Kimley»Horn
 Kimley-Horn and Associates, Inc.
 PROJECT NO.
 096481002
 DRAWING NAME
 096481002PW_DT
 C6.2