

PARKER WATER AND SANITATION CONSTRUCTION PLANS

QUICK N CLEAN

9572 TWENTY MILE ROAD

PARKER, COLORADO

UTILITY PLANS

PARKER AND PINE LOT 4, FILING 1

A PORTION OF THE 1/4 OF SECTION 9, TOWNSHIP 6 SOUTH, RANGE 66 WEST OF 6TH P.M.
COUNTY OF DOUGLAS, STATE OF COLORADO



Know what's below.
Call before you dig.

RESOURCE LIST

APPLICANT 3K1 CONSULTING SERVICES, LLC 11811 N. TATUM BOULEVARD PHOENIX, AZ 85028 PH: (602) 850-8081	TOWN OF PARKER PLAN REVIEW 20120 E. MAIN STREET PARKER, CO 80138 CHIP KERHOVE PH: (70) 989-2244 RANDY CAPRA
OWNER QUICK N CLEAN 7291 E. ADOBE DRIVE, SUITE 115 SCOTTSDALE, AZ 85255 PH: (480) 707-3531	TOWN OF PARKER ENGINEERING / PUBLIC WORKS 20120 E. MAIN STREET PARKER, CO 80138-7335 TYLER SANDT PH: (303) 805-3182
OVERALL DEVELOPER EYV PARKER COLORADO, LLC 2710 E. CAMELBACK ROAD, SUITE 210 PHOENIX, AZ 85016 RYAN AMATO PH: (602) 468-6100	WATER & SEWER PARKER WATER AND SANITATION DISTRICT 18100 E. WOODMAN ROAD PARKER, CO 80134 DRAYTON SANDERSON/ ROBERT RAMSEY PH: (303) 841-4627
CIVIL ENGINEER CEI ENGINEERING ASSOC., INC. 710 PINEDALE AVE. FRESNO, CA JASON HATWIG, PROJECT MANAGER PH: (559) 447-3119	FIRE DEPARTMENT SOUTH METRO FIRE RESCUE AUTHORITY 9195 E. MINERAL AVE. CENTENNIAL, CO 80112 CHIP KERHOVE PH: (720) 989-2244
LANDSCAPE ARCHITECT CEI ENGINEERING ASSOC., INC. 3108 S.W. REGENCY PARKWAY, SUITE 2 BENTONVILLE, AR 72712 CHIP ASHLEY PH: (479) 273-9472	ELECTRICAL IREA 5496 US HWY 85 SEDALIA, CO 80135 PH: (303) 688-7431
ARCHITECT CHSCA 1777 S. BELLAIRE STREET, SUITE 100 DENVER, CO 80222 BILL STOW PH: (303) 962-9164	NATURAL GAS XCEL ENERGY 1800 LARIMER STREET DENVER, CO 80202 PH: (303) 571-7511
LAND SURVEYOR RUBINO SURVEYING 3312 AIRPORT ROAD BOULDER COLORADO 80301 PH: (303) 464-9515	

LEGAL DESCRIPTION

(PER THE TITLE COMMITMENT)

LOT 4,
PARKER AND FILING NO. 1,
COUNTY OF DOUGLAS,
STATE OF COLORADO.

BENCHMARK

DOUGLAS CONTROL MONUMENT #1.095035, A 3 1/2" ALUMINUM CAP.
ELEVATION = 5906.34 FEET (NAVD 1988). AS PUBLISHED BY DOUGLAS COUNTY

BASIS OF BEARINGS

THE BEARINGS ARE BASED ON THE WEST ROW LINE OF SOUTH PARKER ROAD ASSUMED TO BEAR 52°3'56"20"E BETWEEN MONUMENTS FOUND AND DESCRIBED HEREON.

FLOOD ZONE INFORMATION

SUBJECT PROPERTY IS LOCATED WITHIN ZONE "X", AREAS OF MINIMAL FLOOD HAZARD, AS DETERMINED BY THE NATIONAL FLOOD INSURANCE PROGRAM.
MAP NUMBER: 08035C0067G
EFFECTIVE DATE: MARCH 16, 2016



Vicinity Map

1"=2,000'

PARKER WATER AND SANITATION DISTRICT CONSTRUCTION PLANS

SHEET #	SHEET TITLE
C7	COVER SHEET
C7.1	WATER AND SANITARY SEWER NOTES
C7.2	OVERALL UTILITY PLAN
C7.3	SANITARY SEWER PLAN AND PROFILE
C7.4	UTILITY DETAILS
C7.5	UTILITY DETAILS



CIVIL ENGINEERING • LANDSCAPE ARCHITECTURE • LAND SURVEYING • PLANNING

BENTONVILLE | DALLAS | FRESNO | HOUSTON | JACKSONVILLE | MINNEAPOLIS | PHILADELPHIA | PHOENIX

Opinion of Probable Construction Cost

	Quantity	Unit
Water System		
6" PVC Water Service Line	463	L.F.
6" DIP Water Service Line	11	L.F.
6" 90-degree Bend	2	EA
6" 45-degree Bend	3	EA
6" 22.5-degree Bend	1	EA
8" x 6" Reducer	1	EA
6" Gate Valve (Hydrant)	1	EA
1.5" Curb Stop Valve	1	EA
0.75" Curb Stop Valve	1	EA
1.5" Tap	1	EA
0.75" Tap	1	EA
1.5" Meter w/ Backflow	1	EA
0.75" Meter w/ Backflow	1	EA
1.5" Type K Copper Water Line	82	LF
0.75" Type K Copper Water Line	5	LF
Fire Hydrant	1	EA
Sanitary Sewer System		
4" PVC Sanitary Sewer Service Line	78	L.F.
6" PVC Sanitary Sewer Service Line	250	L.F.
Sanitary Sewer Cleanout	9	EA
Sampling Sanitary Manhole	1	EA

This Engineer's estimate of construction costs is based on available local area bid tabulations, industry estimating manuals and other available data. This Engineer's estimate is without the benefit of actual bidding, local contractor input, or Local City or State design approval. The actual costs, at bid could vary substantially. All estimated costs are limited and CEI will not be held accountable for actual differences. If the accuracy level is not appropriate for the purpose intended, CEI recommends the job be bid prior to any real estate closing.

ALL FIRE HYDRANTS SHALL BE INSTALLED ACCORDING TO WATER UTILITY STANDARDS. THE NUMBER AND LOCATIONS OF THE FIRE HYDRANTS AS SHOWN ON THE OVERALL UTILITY PLAN ARE CORRECT AS SPECIFIED BY THE TOWN OF PARKER, COMMUNITY DEVELOPMENT DEPARTMENT.

FIRE CODE OFFICIAL OR DESIGNED REPRESENTATIVE _____ DATE _____

(NOTE-UNDERGROUND FIRE LINE (UFL) SUBMITTAL DOCUMENTS MUST MEET THE REQUIREMENTS OF NPFA 24 WHEN SUBMITTING FOR REVIEW.)

THE DISTRICT INSPECTOR MUST BE NOTIFIED AT LEAST 48 HOURS PRIOR TO START OF CONSTRUCTION. CALL PARKER WATER AND SANITATION DISTRICT AT 303-841-4627. THE DISTRICT WILL PROVIDE PERIODIC INSPECTIONS OF THE 24 HOUR NOTICE TO THE INSPECTOR IS REQUIRED FOR SCHEDULING INSPECTIONS. ANY WORK ACCOMPLISHED WITHOUT THE APPROVAL OF THE INSPECTOR WILL BE SUBJECT TO REJECTION.

REVIEWED FOR CONFORMANCE TO PARKER WATER AND SANITATION DISTRICT STANDARDS.

DATE: _____ (DISTRICT REPRESENTATIVE)

DATE: _____

APPROVED FOR CONSTRUCTION:
PARKER WATER AND SANITATION DISTRICT

DATE: _____ (DISTRICT REPRESENTATIVE)

DATE: _____

THE TOWN OF PARKER REVIEW CONSTITUTES GENERAL COMPLIANCE WITH THE TOWN'S STANDARDS AND APPROVED VARIANCES, SUBJECT TO THESE PLANS BEING STAMPED, SIGNED, AND DATED BY THE PROFESSIONAL ENGINEER OF RECORD. REVIEW BY THE TOWN DOES NOT CONSTITUTE APPROVAL OF THE PLAN DESIGN OR ACCURACY AND CORRECTNESS OF ENGINEERING CALCULATIONS. ERRORS IN THE DESIGN OR CALCULATIONS REMAIN THE RESPONSIBILITY OF THE REGISTERED PROFESSIONAL ENGINEER WHOSE STAMP AND SIGNATURE ARE AFFIXED TO THIS DOCUMENT.

THIS REVIEW DOES NOT CONSTITUTE APPROVAL OF ANY PRIVATE ON-SITE IMPROVEMENTS WHICH MAY BE CONSTRUCTION CANNOT COMMENCE UNTIL ALL REQUIRED DRAINAGE/TRAFFIC REPORT(S) FINAL DEVELOPMENT PLAN(S), SPECIAL REVIEW(S), GRADING PERMIT, AND/OR OTHER PERMITS ARE COMPLETE, APPROVED AND ON FILE WITH THE TOWN OF PARKER.

TOWN OF PARKER, DIRECTOR OF ENGINEERING / PUBLIC WORKS DATE _____



CEI ENGINEERING ASSOCIATES, INC.
710 W. PINEDALE AVE.
FRESNO, CA 93711
PHONE: (559) 447-3119
FAX: (559) 447-3129



3K1 CONSULTING SERVICES, LLC.
11811 N. TATUM BOULEVARD,
PHOENIX, ARIZONA 85028
PHONE: (602) 850-8101



PLANS PREPARED FOR
QUICK N CLEAN
7291 E. ADOBE DRIVE, SUITE 115
SCOTTSDALE, AZ 85255
PHONE: (480) 707-3531

REVISION

NO.	DESCRIPTION	DATE

FOR REVIEW ONLY
NOT FOR
CONSTRUCTION

QUICK N CLEAN
9572 TWENTY MILE ROAD
PARKER, COLORADO

CONSTRUCTION DOCUMENTS



PROFESSIONAL OF RECORD	TAB
PROJECT MANAGER	ASD
DESIGNER	RM
CEI PROJECT NUMBER	31672
DATE	3/23/2023
REVISION	REV-6

COVER SHEET

SHEET TITLE
SHEET NUMBER

C7

PARKER WATER AND SANITATION GENERAL NOTES

- ALL MATERIALS AND WORKMANSHIP SHALL BE IN CONFORMANCE WITH THE PWSO ENGINEERING STANDARDS AND SPECIFICATIONS, LATEST VERSION.
- THE CONTRACTOR SHALL CONTACT ALL APPROPRIATE UTILITY COMPANIES AND THE TOWN OF PARKER, DOUGLAS COUNTY AND OTHER NEIGHBORING CITIES AND TOWNS PRIOR TO THE BEGINNING OF ANY CONSTRUCTION. CONTRACTOR SHALL BE RESPONSIBLE FOR LOCATING ANY EXISTING UTILITY (INCLUDING WHICH MAY CONFLICT WITH THE PROPOSED CONSTRUCTION. ALL EXISTING UTILITIES SHALL BE PROTECTED FROM DAMAGE BY THE CONTRACTOR. DAMAGED UTILITIES SHALL BE REPAIRED BY THE CONTRACTOR AT HIS OWN EXPENSE.
- ALL ITEMS SHOWN ON THE PLANS AS EXISTING ARE SHOWN IN APPROXIMATE LOCATIONS ONLY. THE ACTUAL LOCATIONS MAY VARY FROM THE PLANS, ESPECIALLY IN THE CASE OF UNDERGROUND UTILITIES. WHENEVER THE CONTRACTOR DISCOVERS A DISCREPANCY IN LOCATIONS CONTACT THE PWSO IMMEDIATELY.
- PWSO ENGINEER AND OTHER APPROVING AGENCIES ARE TO BE NOTIFIED 48 HOURS PRIOR TO CONSTRUCTION.
- THE CONTRACTOR SHALL OBTAIN, AT HIS EXPENSE, ALL PERMITS NECESSARY TO PERFORM THE PROPOSED WORK.
- ALL CONCRETE SHALL BE A MINIMUM OF CLASS A, 6 SACK, TYPE II, 3000-POUND COMPRESSION STRENGTH.
- THE DESIGN ENGINEER SHALL SUBMIT ONE (1) SET OF "AS-BUILT" DRAWINGS AND ELECTRONIC FILES TO THE DISTRICT ENGINEER FOR APPROVAL BY DISTRICT. AFTER APPROVAL HAS BEEN GRANTED BY THE DISTRICT ENGINEER, FULL SIZE PRINTS SHALL BE TRANSMITTED TO THE PWSO OFFICE.
- NO WORK SHALL BE BACKFILLED UNTIL THE CONSTRUCTION HAS BEEN INSPECTED AND APPROVED FOR BACKFILLING BY THE DISTRICT ENGINEER OR REPRESENTATIVE OF THE DISTRICT ENGINEER. ALL BACKFILL MATERIAL SHALL BE COMPACTED TO 95% STANDARD PROCTOR DENSITY. COMPACTION TESTS MUST BE SUBMITTED TO DISTRICT ENGINEER PRIOR TO PROBATIONARY ACCEPTANCE.
- TRENCHES SHALL BE EXCAVATED AND THE PIPE EXPOSED FOR THE INSPECTION AT ANY LOCATION ON THE PROJECT IF SO ORDERED BY THE INSPECTOR.
- THE CONTRACTOR WILL BE HELD RESPONSIBLE FOR THE PROPER FUNCTIONING OF LINES (WATER AND FOR UP TO TWO (2) YEARS FROM THE DATE OF PROBATIONARY ACCEPTANCE OF THE LINES BY THE DISTRICT. ANY MALFUNCTION DURING THIS PERIOD OF GUARANTEE SHALL BE REMEDIED BY THE CONTRACTOR TO THE SATISFACTION OF THE DISTRICT ENGINEER AT NO EXPENSE TO THE DISTRICT.
- SURFACE GRADES ARE TO BE WITHIN PLUS OR MINUS ONE FOOT OF FINISHED GRADE AND VERIFICATION OF PARKER WATER AND SANITATION DISTRICT PAGE 1.7 DISTRICT PLAN APPROVAL PROCEDURES 2017 REVISION COMPACTION RESULTS OBTAINED PRIOR TO THE INSTALLATION OF WATER AND SEWER LINES. RESULTS MUST BE SUBMITTED TO THE DISTRICT ENGINEER.
- ALL SERVICES WILL BE PERMANENTLY MARKED ON CURB FACE AS FOLLOWS:
 "X" FOR SANITARY SERVICE SEWERS
 "V" FOR WATER SERVICES
- NO TREES ALLOWED IN EASEMENTS OR WITHIN 8' OF WATER OR SANITARY SEWER MAINS IN RIGHT OF WAY.
- THE CONTRACTOR SHALL HAVE IN HIS POSSESSION AT ALL TIMES ONE (1) SIGNED COPY OF THE PLANS WHICH HAVE BEEN APPROVED BY THE PWSO AND THE DISTRICT ENGINEER AND ONE (1) COPY OF THE LATEST PWSO SPECIFICATION MANUAL.

SANITARY SEWER SYSTEM NOTES

- ALL MATERIALS AND WORKMANSHIP SHALL BE IN CONFORMANCE WITH THE PWSO ENGINEERING STANDARDS AND SPECIFICATIONS, LATEST VERSION.
- ALL SEWER MAINS SHALL BE PVC, ASTM D-3034, SDR 35 OR APPROVED EQUAL. ALL SEWER MAIN SIZE IS 8" IN DIAMETER UNLESS OTHERWISE NOTED.
- SEWER LINES SHALL BE INSTALLED 5.0 FEET SOUTH OR WEST OF STREET CENTERLINE, UNLESS OTHERWISE SHOWN ON PLANS. SEWER LINES SHALL BE 20.00 FEET FROM WATER LINES EXCEPT WHEN CROSSING EACH OTHER. SEWER LINES WHICH CROSS LESS THAN 1.50 FEET VERTICALLY FROM THE WATER MAIN SHALL BE ENCASED IN CONCRETE AS PER PWSO SPECIFICATIONS. USE RUBBER GASKETS FOR PVC ENCASMENT.
- SEWER RIM ELEVATIONS SHOWN ARE APPROPRIATE ONLY AND ARE NOT TO BE TAKEN AS FINAL ELEVATIONS. RING AND COVER SHALL BE SET IN CENTERED CONCRETE RINGS WITH RAM-NECK FOR ADJUSTMENT TO MATCH FINAL PAVEMENT ELEVATIONS.
- THE CONTRACTOR AND SURVEY CREW SHALL VERIFY ELEVATIONS OF EXISTING SEWER LINES AND MANHOLES TO BE TIED TO PRIOR TO CONSTRUCTION OR STAKING OF SANITARY SEWER.
- NO UNDERDRAIN SYSTEM WILL BE ALLOWED TO BE PLACED IN MAINLINE OR SEWER SERVICE TRENCHES.
- SEWER SERVICE TEES FOR EACH UNIT SHALL BE STAKED BY A SURVEY CREW AND FURNISHED AND INSTALLED BY THE CONTRACTOR. THE CONTRACTOR SHALL FURNISH TO THE ENGINEER "AS CONSTRUCTED" LOCATION OF TEES. SEWER WYES SHALL BE USED RATHER THAN TEES.
- ALL MANHOLES SHALL BE 48-INCHES IN DIAMETER WITH 24-INCH RING AND COVER, ECCENTRIC CONE UNLESS OTHERWISE SPECIFIED. ALL MANHOLES SHALL HAVE SHAPED INVERTS.
- PIPE BEDDING SHALL BE CLASS "B" AND SHALL CONFORM TO ASTM C-33 OR D-448 GRADATION NO. 6 OR NO. 67.
- AT LEAST FIVE (5) DAYS PRIOR TO THE START OF CONSTRUCTION, A PRE-CONSTRUCTION MEETING WILL BE HELD AT THE OFFICE OF THE DISTRICT ENGINEER AND ATTENDED BY THE CONTRACTOR AND REPRESENTATIVES OF THE OTHER APPROVING AGENCIES. IT WILL BE THE RESPONSIBILITY OF THE CONTRACTOR TO CONTACT THE DISTRICT ENGINEER TO SCHEDULE THIS MEETING.
- THE CONTRACTOR SHALL HAVE IN HIS POSSESSION AT ALL TIMES ONE (1) SIGNED COPY OF THE PLANS WHICH HAVE BEEN APPROVED BY THE PWSO AND THE DISTRICT ENGINEER AND ONE (1) COPY OF THE LATEST PWSO SPECIFICATION MANUAL.
- ALL SEWER LINES SHALL BE TESTED IN ACCORDANCE WITH THE PWSO STANDARDS AND SPECIFICATIONS PRIOR TO ACCEPTANCE OR ANY CONNECTION TO AN EXISTING SEWER LINE.
- PRIOR TO STARTING WORK WHERE SEWER MAIN IS TO BE CONNECTED TO EXISTING PWSO SEWER SYSTEMS THE NEAREST MANHOLE TO THE POINT OF TIE-IN SHALL BE PLUGGED WITH A PLUMBER'S PLUG ON THE INLET SIDE BY THE CONTRACTOR. THIS PLUG SHALL REMAIN IN PLACE UNTIL FINAL PROBATIONARY ACCEPTANCE BY PWSO. THE CONTRACTOR SHALL BE RESPONSIBLE FOR PUMPING AND CLEANING THESE MANHOLES AND REMOVING THE PLUG WHEN INSTRUCTED BY THE DISTRICT.
- PRIOR TO PROBATIONARY ACCEPTANCE WALK-THROUGH, THE CONTRACTOR SHALL JET CLEAN THE ENTIRE SANITARY SEWER SYSTEM AND PUMP OUT AT THE PLUGGED MANHOLE.

WATER SYSTEM NOTES

- ALL MATERIALS AND WORKMANSHIP SHALL BE IN CONFORMANCE WITH THE PWSO ENGINEERING STANDARDS AND SPECIFICATIONS, LATEST REVISION.
- ALL WATER MAINS SHALL BE PER PWSO MATERIALS SPECIFICATIONS. ALL MATERIALS IN CONTACT WITH POTABLE WATER SHALL BE SUITABLE FOR CHLORINATED AND CHLORAMINATED WATER.
- ALL BENDS, PLUGS, REDUCERS, AND FIRE HYDRANTS TO BE RODDED OR MEGA-LUGGED. ALL FITTINGS SHALL BE WRAPPED PER PWSO MATERIALS SPECIFICATIONS.
- THERE SHALL BE A MINIMUM COVER OF 4.5 FEET OVER ALL WATER MAINS.
- FIRE HYDRANTS SHALL CONFORM TO AWWA C-502 "DRY BARREL FIRE HYDRANTS" PIPE HYDRANT ASSEMBLIES PER PWSO SPECIFICATIONS.
- ALL BENDS, TEES, FIRE HYDRANTS, BLOW-OFFS, AND PLUGS AT DEAD-END MAINS SHALL BE PROTECTED FROM THRUST WITH CONCRETE THRUST BLOCKS.
- PRECAUTIONS SHALL BE TAKEN TO PROTECT THE INTERIOR OF PIPES, FITTINGS, AND VALVES AGAINST CONTAMINATION. ALL OPENINGS IN THE PIPELINE SHALL BE CLOSED WITH WATERTIGHT PLUGS WHEN PIPE LAYING IS STOPPED AT THE CLOSE OF THE DAY'S WORK OR FOR OTHER REASONS, SUCH AS REST BREAKS OR MEAL PERIODS.
- VALVES IN STREETS ARE TO BE LOCATED AT PROPERTY LINE EXTENSIONS EXCEPT FOR TAPPING TEES; WHERE AN ADDITIONAL VALVE SHALL BE PLACED ON THE TAPPING TEE. OTHER LOCATIONS SHOWN ON THE PLANS.
- WHEN NECESSARY TO LOWER OR RAISE WATER LINES AT STORM DRAINS AND OTHER UTILITY CROSSING, A MINIMUM CLEARANCE OF 1.5 FEET SHALL BE MAINTAINED BETWEEN OUTSIDE OF PIPES.
- THE CONTRACTOR SHALL NOTIFY THE PWSO AT LEAST 48 HOURS PRIOR TO ANY CONSTRUCTION. IF WORK IS SUSPENDED FOR ANY PERIOD OF TIME AFTER INITIAL START-UP, THE CONTRACTOR MUST NOTIFY THE DISTRICT ENGINEER 48 HOURS PRIOR TO RE-START.
- PIPE BEDDING SHALL BE A CLEAN, WELL-GRADED SAND OR SQUEEGEE SAND IN ACCORDANCE WITH PWSO STANDARDS AND SPECIFICATIONS, LATEST REVISION.
- THE CONTRACTOR SHALL NOTIFY THE PUBLIC UTILITY COMPANIES AND DETERMINE THE LOCATION OF ALL EXISTING UNDERGROUND UTILITIES PRIOR TO PROCEEDING WITH THE EXCAVATION. ALL WORK PERFORMED IN THE AREA OF THE PUBLIC UTILITIES SHALL BE PERFORMED ACCORDING TO THE REQUIREMENTS OF THESE AGENCIES.
- COMPACTION OF ALL TRENCHES MUST BE ATTAINED IN ACCORDANCE WITH THE SOILS REPORTS AND COMPACTION TEST RESULTS SUBMITTED TO THE DISTRICT ENGINEER PRIOR TO PROBATIONARY ACCEPTANCE.
- AT LEAST FIVE (5) DAYS PRIOR TO THE START OF CONSTRUCTION, A PRE-CONSTRUCTION MEETING WILL BE HELD AT THE OFFICE OF THE DISTRICT ENGINEER AND ATTENDED BY THE CONTRACTOR, DESIGN ENGINEER, AND REPRESENTATIVE OF OTHER APPROVING AGENCIES.
- CHLORINATION AND FLUSHING: ALL WATER MAINS SHALL BE INSTALLED AND CHLORINATED PER PWSO SPECIFICATIONS. CHLORINATION OF FINISHED PIPELINE COMPLETED BEFORE HYDROSTATIC TESTING.
- HYDROSTATIC TESTING: ALL WATER MAINS SHALL BE TESTED PER THE REQUIREMENTS OF THE PWSO SPECIFICATIONS UP TO MINIMUM OF 150 PSI IN THE PRESENCE OF A PWSO INSPECTOR/ENGINEER.



CEI ENGINEERING ASSOCIATES, INC.
 710 W. PINEDALE AVE.
 FRESNO, CA 93711
 PHONE: (559) 447-3119
 FAX: (559) 447-3129



CLIENT
 3K1 CONSULTING SERVICES, LLC.
 11811 N. TATUM BOULEVARD,
 PHOENIX, ARIZONA 85028
 PHONE: (602) 850-8101



PLANS PREPARED FOR
 QUICK N CLEAN
 7291 E. ADOBE DRIVE, SUITE 115
 SCOTTSDALE, AZ 85255
 PHONE: (480) 707-3531

REVISION		
NO.	DESCRIPTION	DATE

FOR REVIEW ONLY
 NOT FOR
 CONSTRUCTION

QUICK N CLEAN
 9572 TWENTY MILE ROAD
 PARKER, COLORADO
 CONSTRUCTION DOCUMENTS

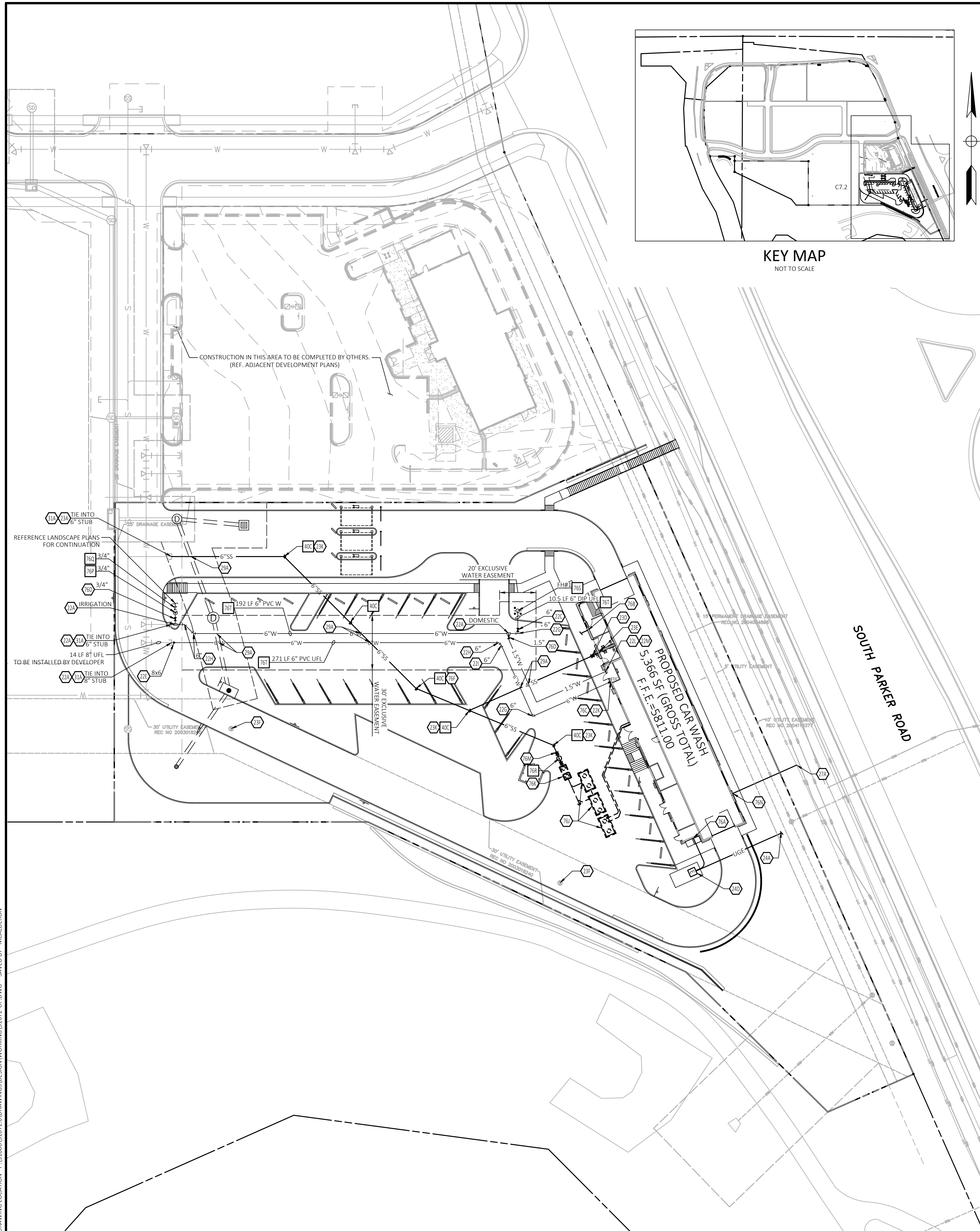


PROFESSIONAL OF RECORD	TAB
PROJECT MANAGER	ASD
DESIGNER	RM
CEI PROJECT NUMBER	31672
DATE	3/23/2023
REVISION	REV-6



Know what's below.
 Call before you dig.

WATER AND
 SANITARY SEWER
 NOTES
 SHEET TITLE
 SHEET NUMBER
C7.1



LEGAL DESCRIPTION

REFERENCE C1 - COVER SHEET FOR LEGAL DESCRIPTION.

BENCHMARK

DOUGLAS CONTROL MONUMENT #1.095035, A 3 3/4" ALUMINUM CAP.
ELEVATION = 5906.34 FEET (NAVD1988), AS PUBLISHED BY DOUGLAS COUNTY

BASIS OF BEARINGS

THE BEARINGS ARE BASED ON THE WEST ROW LINE OF SOUTH PARKER ROAD ASSUMED TO BEAR S23°56'20"E BETWEEN MONUMENTS FOUND AND DESCRIBED HEREON.

FLOOD ZONE INFORMATION

SUBJECT PROPERTY IS LOCATED WITHIN ZONE "X", AREAS OF MINIMAL FLOOD HAZARD, AS DETERMINED BY THE NATIONAL FLOOD INSURANCE PROGRAM.
MAP NUMBER: 0803500076
EFFECTIVE DATE: MARCH 16, 2016

NOTE:

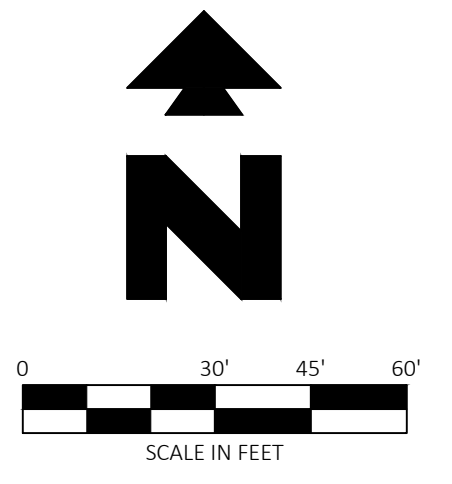
SEE ARCHITECTURAL PLANS FOR EXACT LOCATIONS AND DIMENSIONS OF PORCHES, RAMPS, VESTIBULE, SLOPED PAVING, TRUCK DOCKS, BUILDING UTILITY ENTRANCE LOCATIONS AND PRECISE BUILDING DIMENSIONS.

GENERAL UTILITY NOTES

- A. ALL WATER LINES SHALL HAVE 4'-6" MIN. COVER.
- B. ALL SANITARY SEWER LINES 6" AND SMALLER SHALL BE PVC (SDR35) WITH 4'-6" MIN. COVER.
- C. CONTRACTOR SHALL COORDINATE ANY DISRUPTIONS TO EXISTING UTILITY SERVICES WITH ADJACENT PROPERTY OWNERS.
- D. ALL ELECTRIC, TELEPHONE AND GAS EXTENSIONS INCLUDING SERVICE LINES SHALL BE CONSTRUCTED TO THE APPROPRIATE UTILITY COMPANY SPECIFICATIONS. ALL UTILITY DISCONNECTIONS SHALL BE COORDINATED WITH THE DESIGNATED UTILITY COMPANIES.
- E. CONSTRUCTION SHALL NOT START ON ANY PUBLIC UTILITY SYSTEM UNTIL WRITTEN APPROVAL HAS BEEN RECEIVED BY THE ENGINEER FROM THE APPROPRIATE GOVERNING AUTHORITY AND CONTRACTOR HAS BEEN NOTIFIED BY THE ENGINEER.
- F. PRIOR TO THE CONSTRUCTION OF OR CONNECTION TO ANY STORM DRAIN, SANITARY SEWER, WATER MAIN OR ANY OF THE DRY UTILITIES, THE CONTRACTOR SHALL EXCAVATE, VERIFY AND CALCULATE ALL POINTS OF CONNECTION AND ALL UTILITY CROSSINGS AND INFORM CEI ENGINEERING AND THE OWNER/DEVELOPER OF ANY CONFLICT OR REQUIRED DEVIATIONS FROM THE PLAN. NOTIFICATION SHALL BE MADE A MINIMUM OF 48 HOURS PRIOR TO CONSTRUCTION. CEI ENGINEERING AND ITS CLIENTS SHALL BE HELD HARMLESS IN THE EVENT THAT THE CONTRACTOR FAILS TO MAKE SUCH NOTIFICATION.
- G. UNLESS OTHERWISE SHOWN, CALLED OUT OR SPECIFIED HEREON OR WITHIN THE PROJECT CONTRACT REQUIREMENTS OR SPECIFICATIONS OF THE LOCAL AUTHORITIES:
REFERENCE DISTRICT POLICIES & INSTALLATION NOTES FOR WATER SERVICE DETAIL W1.1 (REF SHEET C7.5 - UTILITY DETAILS).
ALL WATER LINE FITTINGS SHALL BE INSTALLED WITH THRUST BLOCKING PER W3.18 (REF SHEET C7.5 - UTILITY DETAILS).
ALL WATER LINE PIPE TRENCHING & BEDDING SHALL BE INSTALLED PER W4.1 (REF SHEET C7.5 - UTILITY DETAILS).
ALL SANITARY SEWER PIPE TRENCHING & BEDDING SHALL BE INSTALLED PER S4.1-S4.5 (REF SHEET C7.4 - UTILITY DETAILS).
REFERENCE DISTRICT POLICIES & INSTALLATION NOTES FOR SEWER SERVICE DETAIL S1.1 (REF SHEET C7.4 - UTILITY DETAILS).
- H. ALL UTILITIES SHOULD BE KEPT TEN (10') APART (PARALLEL) OR WHEN CROSSING 18" VERTICAL CLEARANCE (OUTSIDE EDGE OF PIPE TO OUTSIDE EDGE OF PIPE).
- I. CONTRACTOR SHALL MAINTAIN A MINIMUM COVER ON ALL WATERLINES.
- J. IN THE EVENT OF A VERTICAL CONFLICT BETWEEN WATER LINES, SANITARY LINES, STORM LINES AND GAS LINES (EXISTING AND PROPOSED), THE SANITARY LINE SHALL BE DUCTILE IRON PIPE WITH MECHANICAL JOINTS WITH APPROPRIATE THRUST BLOCKING AS REQUIRED TO PROVIDE A MINIMUM OF 18" CLEARANCE. MEETING REQUIREMENTS OF ANSI A21.10 OR ANSI 21.11 (AWWA C-151) (CLASS 50).
- K. LINES UNDERGROUND SHALL BE INSTALLED, INSPECTED AND APPROVED BEFORE BACKFILLING.
- L. REFER TO INTERIOR PLUMBING DRAWINGS FOR TIE-IN OF ALL UTILITIES.
- M. CONTRACTOR IS RESPONSIBLE FOR COMPLYING TO THE SPECIFICATIONS OF THE LOCAL AUTHORITIES WITH REGARDS TO MATERIALS AND INSTALLATION OF THE WATER AND SEWER LINES.
- N. CONTRACTOR SHALL COORDINATE WITH ALL UTILITY COMPANIES FOR INSTALLATION REQUIREMENTS AND SPECIFICATIONS.
- O. REFER TO ELECTRIC COMPANY PLANS FOR ELECTRIC SERVICE DESIGN.
- P. REFER TO TELEPHONE PLANS FOR TELEPHONE & DATA SERVICE DESIGN.



Know what's below.
Call before you dig.



EXISTING LEGEND

- PROPERTY LINE/RIGHT OF WAY LINE
- ⊙ COMMUNICATIONS MANHOLE
- ⊙ SANITARY SEWER MANHOLE
- ⊙ STORM SEWER MANHOLE
- GAS --- UNDERGROUND GAS LINES
- COM --- UNDERGROUND COMMUNICATIONS LINES
- STM --- UNDERGROUND STORM SEWER LINES

PROPOSED LEGEND

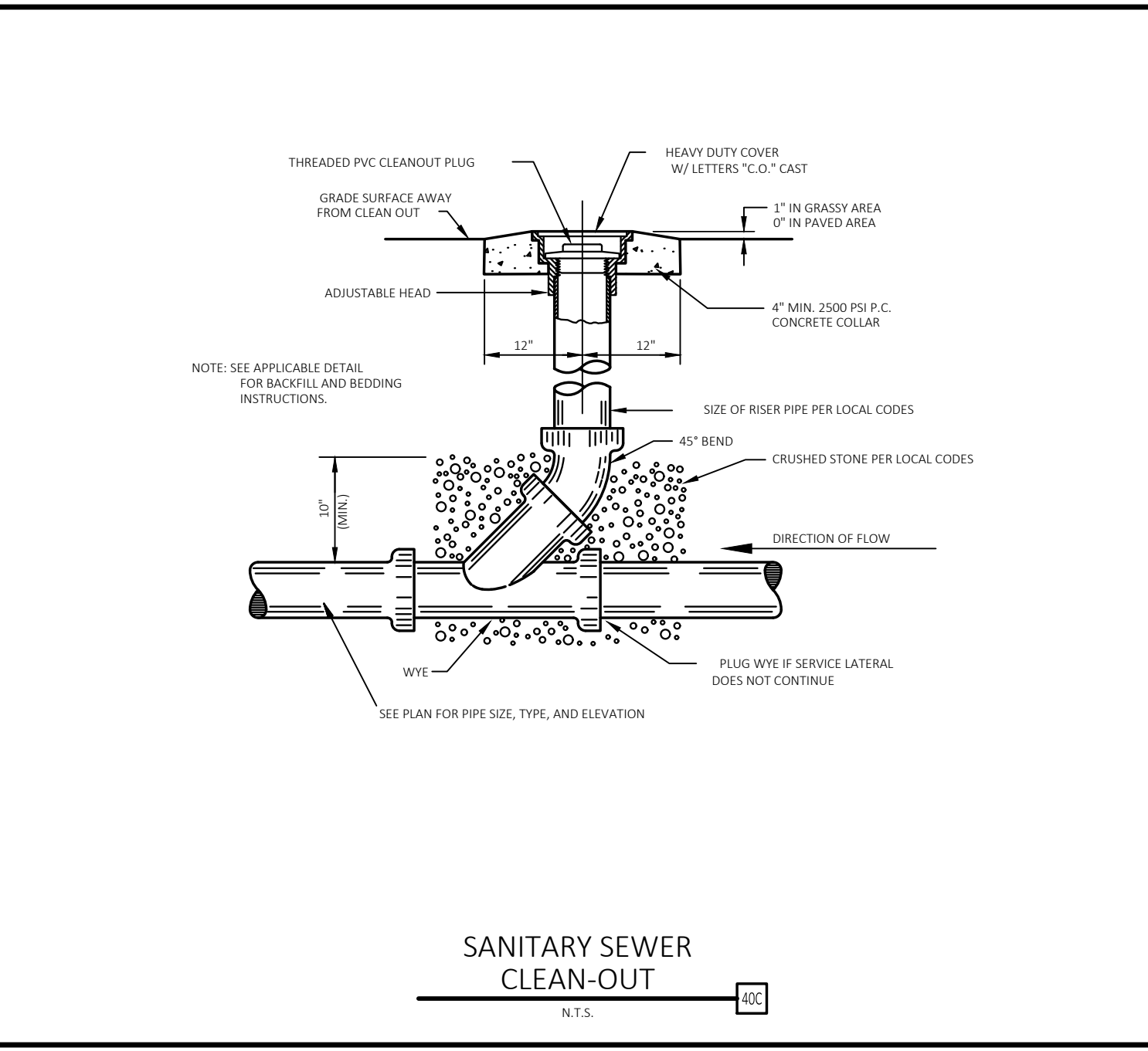
- PROPERTY LINE/RIGHT OF WAY LINE
- STORM DRAIN
- X"G --- GAS SERVICE
- X"SS --- SANITARY SEWER SERVICE
- UGT --- UNDERGROUND ELECTRIC SERVICE
- X"W --- UNDERGROUND TELEPHONE SERVICE
- X"W --- WATER SERVICE
- FDC FIRE DEPARTMENT CONNECTION
- FIRE HYDRANT

UTILITY NOTES

- 22A POINT OF CONNECTION - WATER SERVICE PER LOCAL CODE STANDARDS
- 22C M.J. GATE VALVE WITH ADJUSTABLE VALVE BOX (SEE SIZES THIS SHEET)
- 22E M.J. REDUCER (SEE SIZES THIS SHEET)
- 22G 90° M.J. BEND WITH THRUST BLOCKING (SEE SIZES THIS SHEET)
- 22H 45° M.J. BEND WITH THRUST BLOCKING (SEE SIZES THIS SHEET)
- 22I 22.5" M.J. BEND WITH THRUST BLOCKING (SEE SIZES THIS SHEET)
- 22K SPRINKLER ENTRY PER ARCH. PLANS
- 22L METERED DOMESTIC WATER SERVICE ENTRY PER ARCH. PLANS (SEE SIZES THIS SHEET)
- 22M INTERNAL WATER METER (PER LOCAL CODES AND SPECIFICATION) (REF ARCH PLANS)
- 23A POINT OF CONNECTION FOR SANITARY SEWER
- 23D BUILDING SANITARY SEWER SERVICE CLEAN-OUT
- 23E SANITARY SEWER SERVICE ENTRY (PER ARCH. PLANS)
- 23F ADJUST RIM TO MATCH FINISH GRADE
- 23K SANITARY SEWER SERVICE WYE (PER LOCAL CODES)
- 24A POINT OF CONNECTION FOR ELECTRICAL SERVICE (PER ELECTRIC COMPANY REQUIREMENTS)
- 24D PROPOSED ELECTRIC TRANSFORMER
- 27A POINT OF CONNECTION FOR GAS SERVICE (PER LOCAL GAS COMPANY REQUIREMENT)
- 29A MAINTAIN MINIMUM 18" VERTICAL SEPARATION
- 31A LOCATION FOR THIS UTILITY AS SHOWN IS FOR DRAWING PURPOSES ONLY. CONTRACTOR SHALL VERIFY THE EXACT LOCATION IN FIELD PRIOR TO THE CONSTRUCTION OF THE PROPOSED UTILITY LINE TO BE CONNECTED. CONTRACTOR SHALL NOTIFY CEI ENGINEERING IF THE DESIGN AS SHOWN IS NOT ACHIEVABLE.
- 76A UNDERGROUND ELECTRICAL SERVICE ENTRY (PER ARCH PLANS) (REF ELECTRICAL SCHEMATIC PLANS FOR ELECTRIC SERVICE CONSTRUCTION INFORMATION)
- 76B UNDERGROUND TELEPHONE SERVICE ENTRY (PER ARCH PLANS) (REF TELEPHONE CO. SCHEMATIC PLANS FOR TELEPHONE SERVICE CONSTRUCTION INFORMATION)
- 76C INTERNAL FIRE SPRINKLER RISER WITH WALL MOUNT FIRE DEPARTMENT CONNECTION (FDC). REF MECHANICAL PLANS
- 76D CURB STOP VALVE REF TOWN OF PARKER DETAILS AND SPECIFICATIONS.
- 76F 22.5" BEND
- 76I RECLAIM SYSTEM (REF PLUMBING PLANS)
- 76K SAND/OIL SEPARATOR (REF PLUMBING PLAN)
- 76M REF PLUMBING PLANS FOR CONTINUATION
- 76N GAS SERVICE ENTRY (PER ARCH. PLANS)

UTILITY DETAILS

- 40C CLEAN OUT (REF SHEET THIS SHEET)
- 76P OUTSIDE SETTING FOR 3" - 1" METER PER TOWN OF PARKER DETAIL W5.10 (REF SHEET C7.5 - UTILITY DETAILS)
- 76Q REDUCED PRESSURE BACKFLOW PER TOWN OF PARKER DETAIL W6.1 (REF SHEET C7.5 - UTILITY DETAILS).
- 76R SAMPLING MANHOLE PER TOWN OF PARKER DETAIL S5.3 (REF SHEET C7.5 - UTILITY DETAILS).
- 76S FIRE HYDRANT PER TOWN OF PARKER DETAIL W2.5 (REF SHEET C7.5 - UTILITY DETAILS).
- 76T LOCATOR WIRE PER TOWN OF PARKER DETAIL W2.6 (REF SHEET C7.5 - UTILITY DETAILS).



ALL FIRE HYDRANTS SHALL BE INSTALLED ACCORDING TO WATER UTILITY STANDARDS. THE NUMBER AND LOCATIONS OF THE FIRE HYDRANTS AS SHOWN ON THE OVERALL UTILITY PLAN ARE CORRECT AS SPECIFIED BY THE TOWN OF PARKER, COMMUNITY DEVELOPMENT DEPARTMENT.

FIRE CODE OFFICIAL OR DESIGNED REPRESENTATIVE _____ DATE _____
(NOTE-UNDERGROUND FIRE LINE (UFL) SUBMITTAL DOCUMENTS MUST MEET THE REQUIREMENTS OF NFPA 24 WHEN SUBMITTING FOR REVIEW.)

THE TOWN OF PARKER REVIEW CONSTITUTES GENERAL COMPLIANCE WITH THE TOWN'S STANDARDS AND APPROVED VARIANCES, SUBJECT TO THESE PLANS BEING STAMPED, SIGNED, AND DATED BY THE PROFESSIONAL ENGINEER OF RECORD. REVIEW BY THE TOWN DOES NOT CONSTITUTE APPROVAL OF THE PLAN DESIGN OR ACCURACY AND CORRECTNESS OF ENGINEERING CALCULATIONS. ERRORS IN THE DESIGN OR CALCULATIONS REMAIN THE RESPONSIBILITY OF THE REGISTERED PROFESSIONAL ENGINEER WHOSE STAMP AND SIGNATURE ARE AFFIXED TO THIS DOCUMENT.

THIS REVIEW DOES NOT CONSTITUTE APPROVAL OF ANY PRIVATE ON-SITE IMPROVEMENTS WHICH MAY BE CONSTRUCTION CANNOT COMMENCE UNTIL ALL REQUIRED DRAINAGE/TRAFFIC REPORT(S), FINAL DEVELOPMENT PLAN(S), SPECIAL REVIEW(S), GRADING PERMIT, AND/OR OTHER PERMITS ARE COMPLETE, APPROVED AND ON FILE WITH THE TOWN OF PARKER.

TOWN OF PARKER, DIRECTOR OF ENGINEERING / PUBLIC WORKS _____ DATE _____



CEI ENGINEERING ASSOCIATES, INC.
710 W. PINEDALE AVE.
FRESNO, CA 93711
PHONE: (559) 447-3119
FAX: (559) 447-3129



CLIENT
3K1 CONSULTING SERVICES, LLC.
11811 N. TATUM BOULEVARD,
PHOENIX, ARIZONA 85028
PHONE: (602) 850-8101



PLANS PREPARED FOR
QUICK N CLEAN
7291 E. ADOBE DRIVE, SUITE 115
SCOTTSDALE, AZ 85255
PHONE: (480) 707-3531

REVISION		
NO.	DESCRIPTION	DATE

FOR REVIEW ONLY
NOT FOR
CONSTRUCTION

QUICK N CLEAN
9572 TWENTY MILE ROAD
PARKER, COLORADO
CONSTRUCTION DOCUMENTS

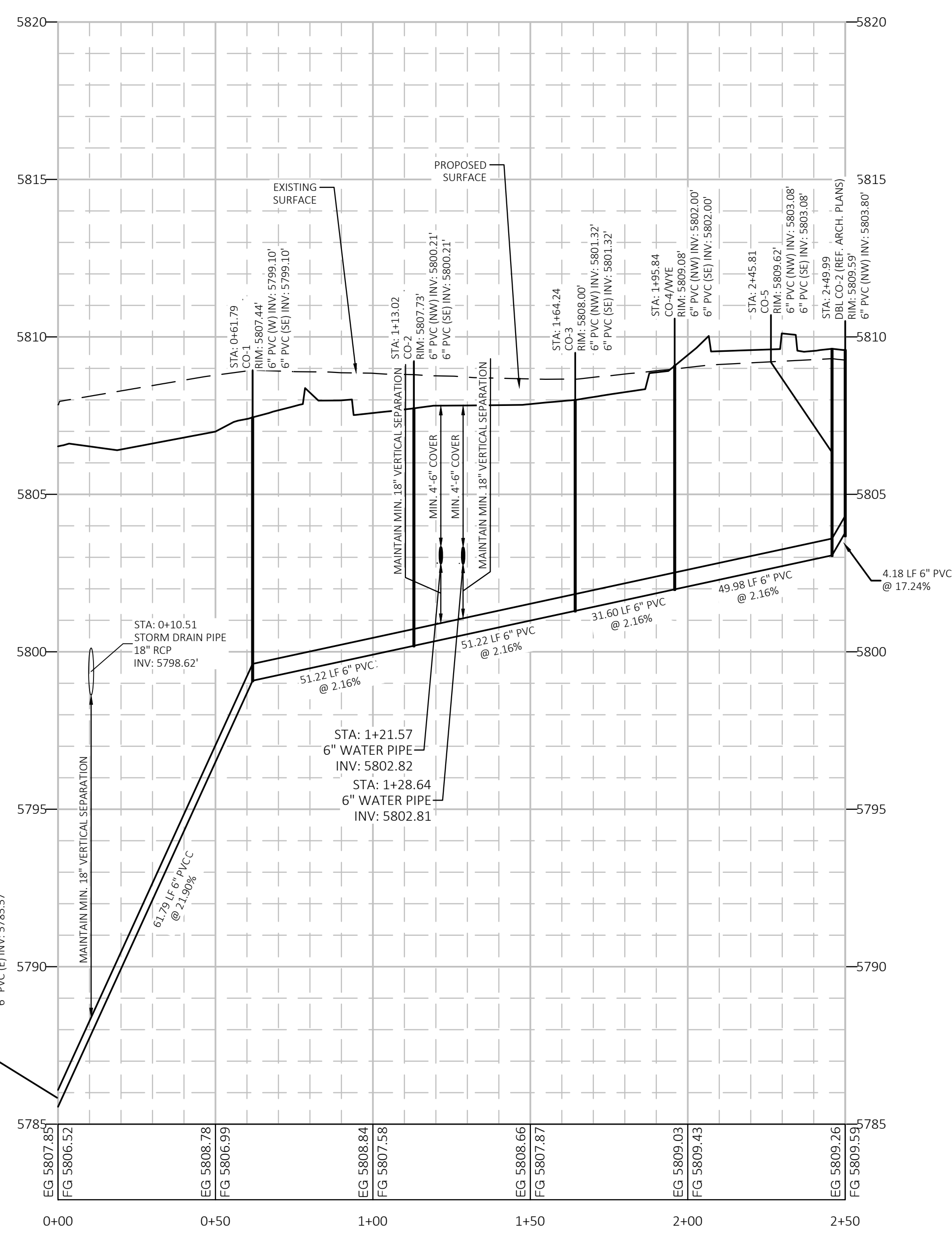


PROFESSIONAL OF RECORD	TAB
PROJECT MANAGER	ASD
DESIGNER	RM
CEI PROJECT NUMBER	31672
DATE	12/9/2022
REVISION	REV-6

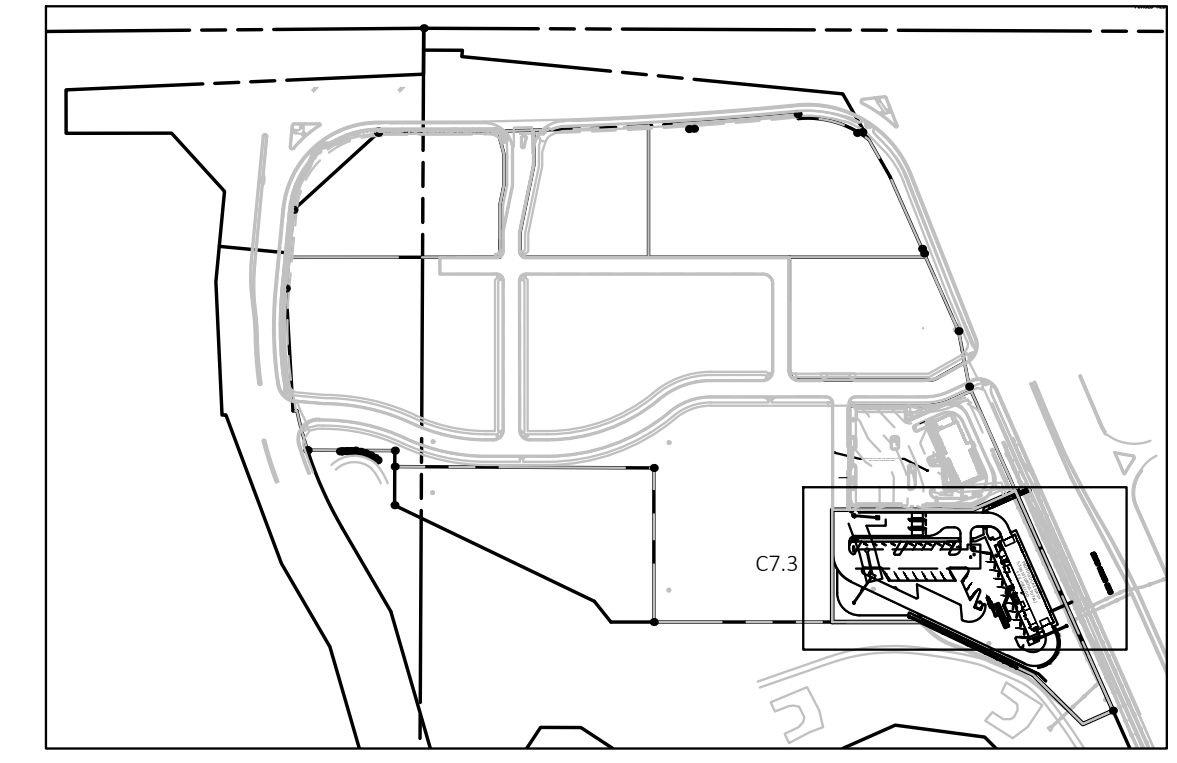
OVERALL UTILITY
PLAN
SHEET TITLE
SHEET NUMBER

C7.2

Alignment - Sanitary Sewer - A PROFILE
 VERTICAL SCALE: 1"=0'
 HORIZONTAL SCALE: 1"=1'



Know what's below.
 Call before you dig.



KEY MAP
 NOT TO SCALE

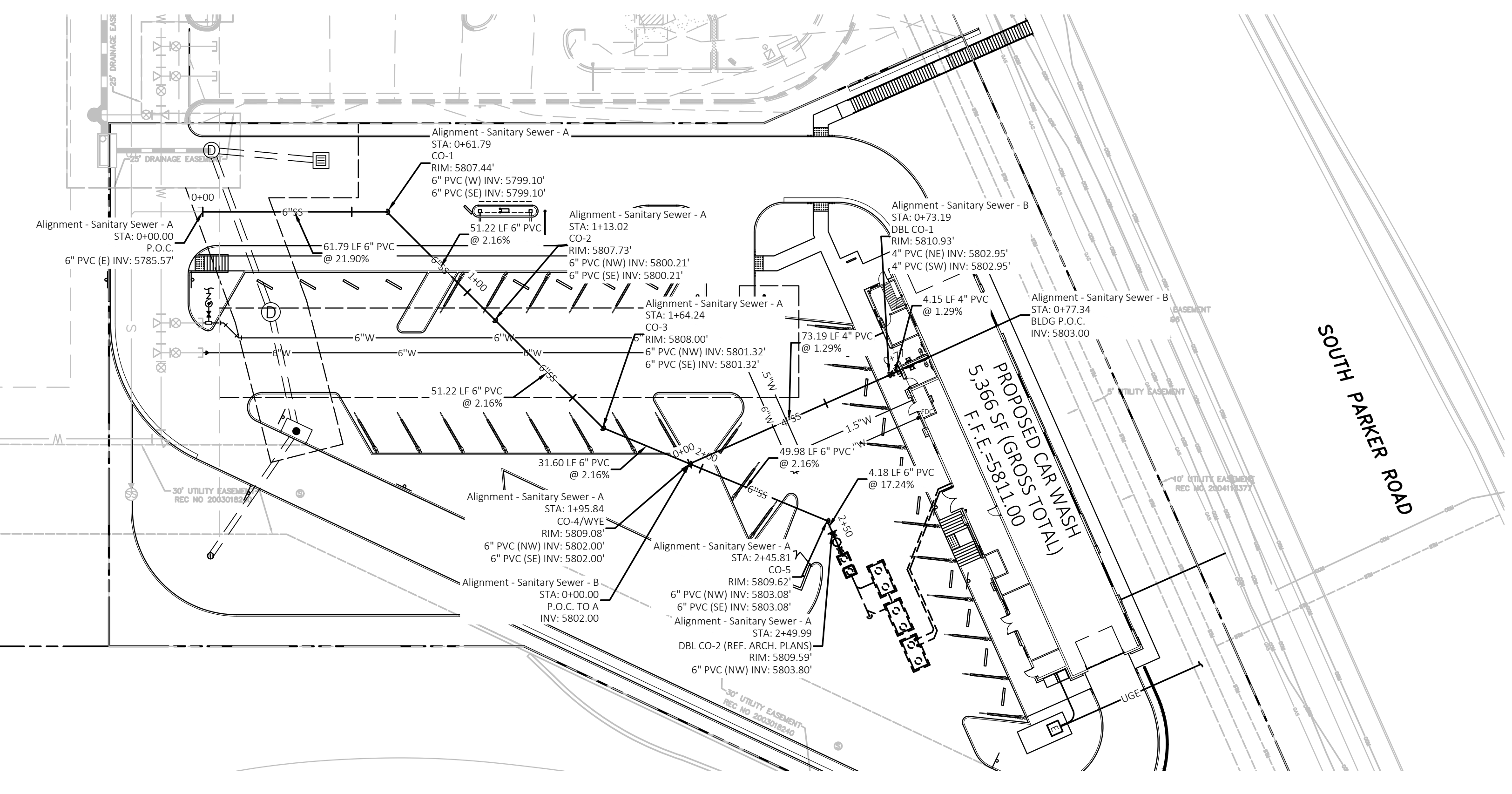
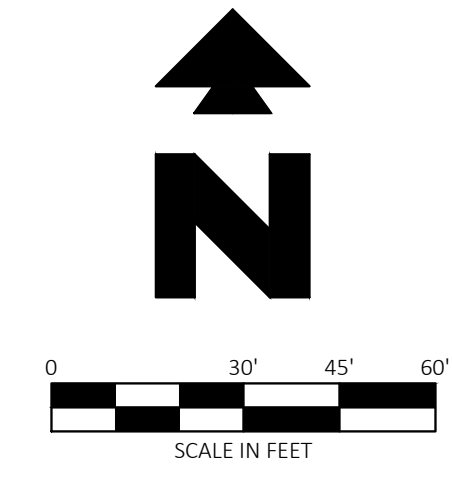
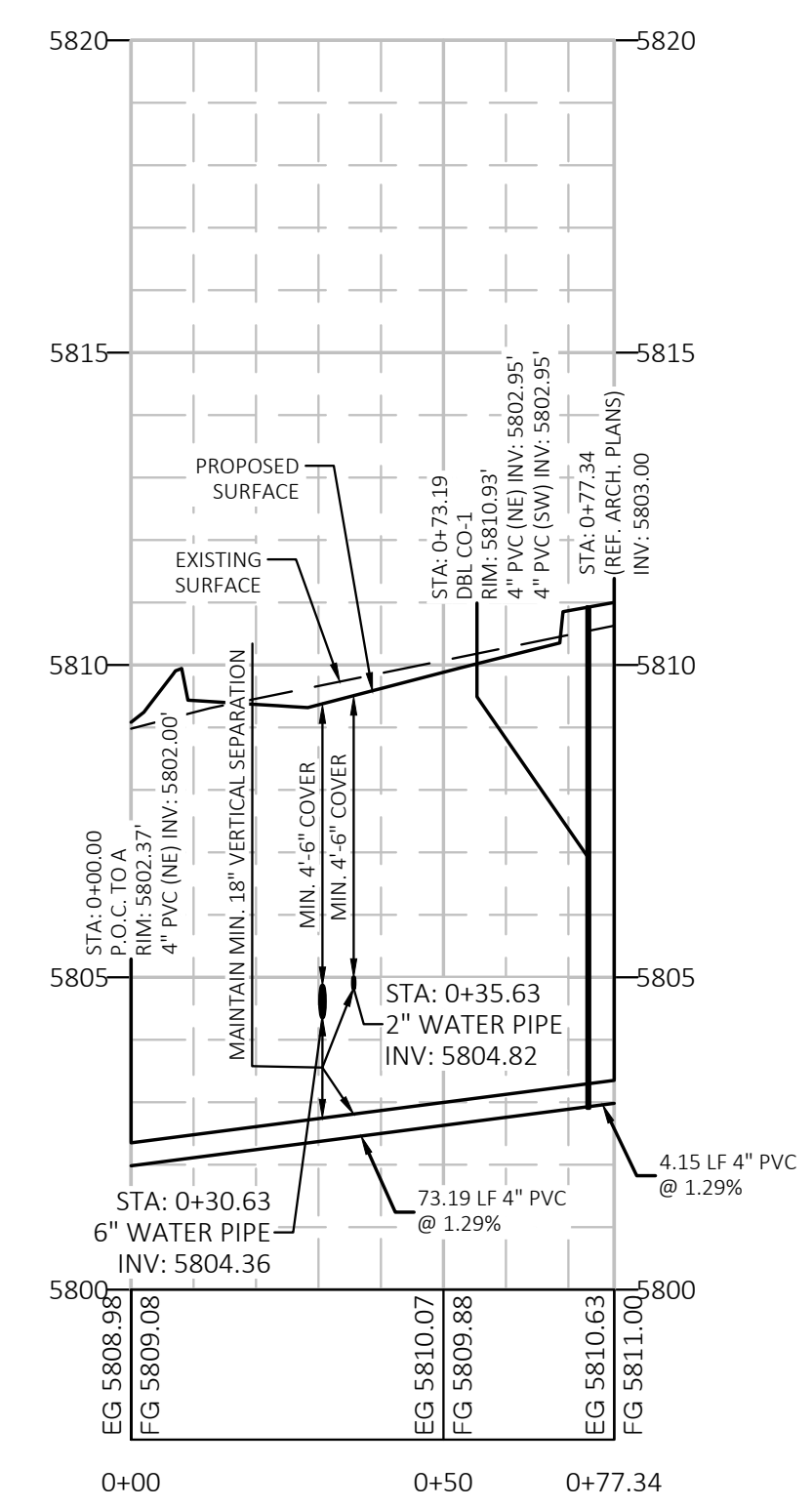
EXISTING LEGEND:

- PROPERTY LINE/RIGHT OF WAY LINE
- ⊙ COMMUNICATIONS MANHOLE
- ⊙ SANITARY SEWER MANHOLE
- ⊙ STORM SEWER MANHOLE
- GAS - UNDERGROUND GAS LINES
- COM - UNDERGROUND COMMUNICATIONS LINES
- STM - UNDERGROUND STORM SEWER LINES

PROPOSED

- STORM DRAIN
- X"SS - SANITARY SEWER SERVICE
- X"W - WATER SERVICE

Alignment - Sanitary Sewer - B PROFILE
 VERTICAL SCALE: 1"=0'
 HORIZONTAL SCALE: 1"=1'



CEI ENGINEERING ASSOCIATES, INC.
 710 W. PINEDALE AVE.
 FRESNO, CA 93711
 PHONE: (559) 447-3119
 FAX: (559) 447-3129



CLIENT
 3K1 CONSULTING SERVICES, LLC.
 11811 N. TATUM BOULEVARD,
 PHOENIX, ARIZONA 85028
 PHONE: (602) 850-8101



PLANS PREPARED FOR
 QUICK N CLEAN
 7291 E. ADOBE DRIVE, SUITE 115
 SCOTTSDALE, AZ 85255
 PHONE: (480) 707-3531

REVISION		
NO.	DESCRIPTION	DATE

FOR REVIEW ONLY
 NOT FOR
 CONSTRUCTION

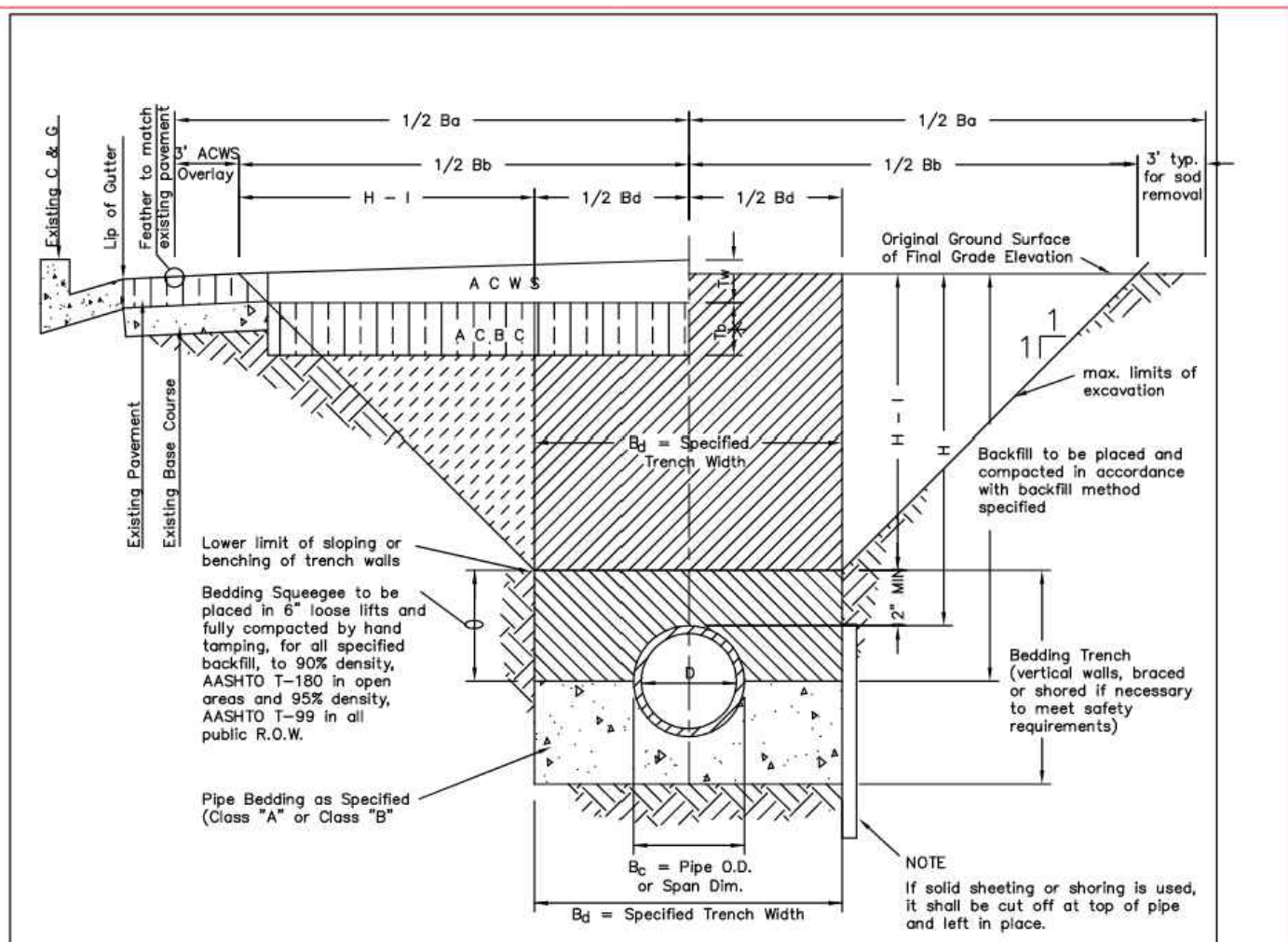
QUICK N CLEAN
 9572 TWENTY MILE ROAD
 PARKER, COLORADO
 CONSTRUCTION DOCUMENTS



PROFESSIONAL OF RECORD	TAB
PROJECT MANAGER	ASD
DESIGNER	RM
CEI PROJECT NUMBER	31672
DATE	12/9/2022
REVISION	REV-6

SANITARY SEWER
 PLAN AND PROFILE
 SHEET TITLE
 SHEET NUMBER

C7.3



TYPICAL TRENCH DETAIL

T_b = Thickness of Asphalt Concrete Base Course (A C B C)
 T_w = Thickness of Asphalt Concrete Wearing Surface (A C W S)
 T_a = Total Asphalt Thickness ($T_b + T_w$)
 B_c = Outside Pipe or Conduit Span Dimension
 B_d = Specified Bedding Trench Width and Max Bedding Trench Width at a point 12" above Top of Pipe (See Note 2)
 B_e = Max. Pay Width of Asphalt Concrete Base Course (or Asphalt Concrete Cold Mix) (See Note 3)
 B_f = Max. Pay Width of Asphalt Concrete Wearing Surface or Sod Replacement (See Note 3)
 H = Depth of Surface to Top of Pipe
 $H-1$ = Depth from Surface to 1 ft. above Top of Pipe

- NOTES:
- Sloping or benching of trench side walls, where permitted shall be in accordance with applicable Federal, State and Local safety regulations.
 - Trench shall be braced and shored as necessary to afford safe working conditions or to protect adjacent utilities, structures, etc. Unless otherwise specified on the plans, no pavement will be made for removal, replacement or relocation of curb and gutter, utilities, sidewalks, structures, etc. outside the maximum limits of excavation as shown and the contractor shall be responsible for protection of same.
 - If dimension B_d is $\leq 5'$, then existing asphalt pavement shall be removed and replaced up to the gutter. Maximum asphalt pay widths, B_e & B_f , shall then be based upon this actual width.

TABLE II
ASPHALT AND BASE COURSE REPLACEMENT SCHEDULE

STREET WIDTH	ASPHALTIC BASE COURSE (T_b)	ASPHALTIC WEARING SURFACE (T_w)	TOTAL THICKNESS (T_a)
UP TO 36'	4"	2"	6"
36' TO 44'	4"	3"	7"
44' TO 48'	5"	3"	8"
WIDER THAN 48'	6"	3"	9"

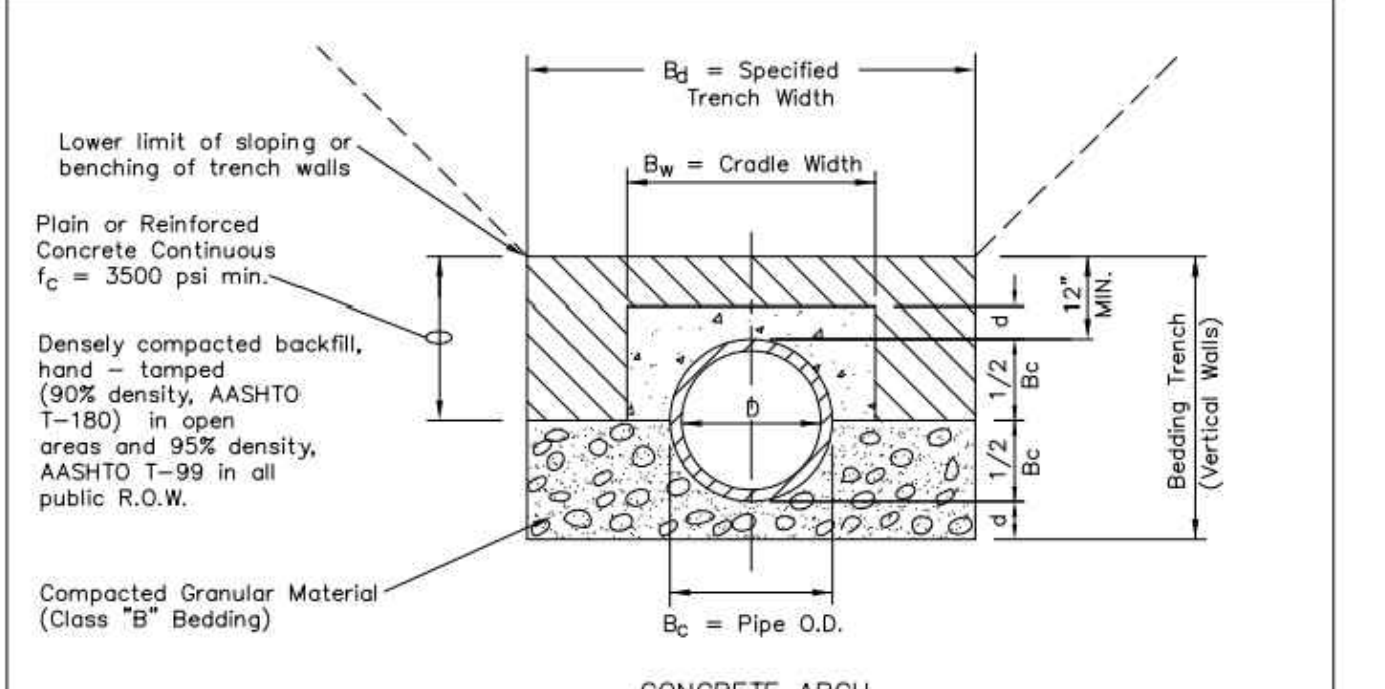
PARKER WATER & SANITATION DISTRICT
SEWER TRENCHING AND BEDDING DETAIL

SCALE: NONE DATE: 2/98

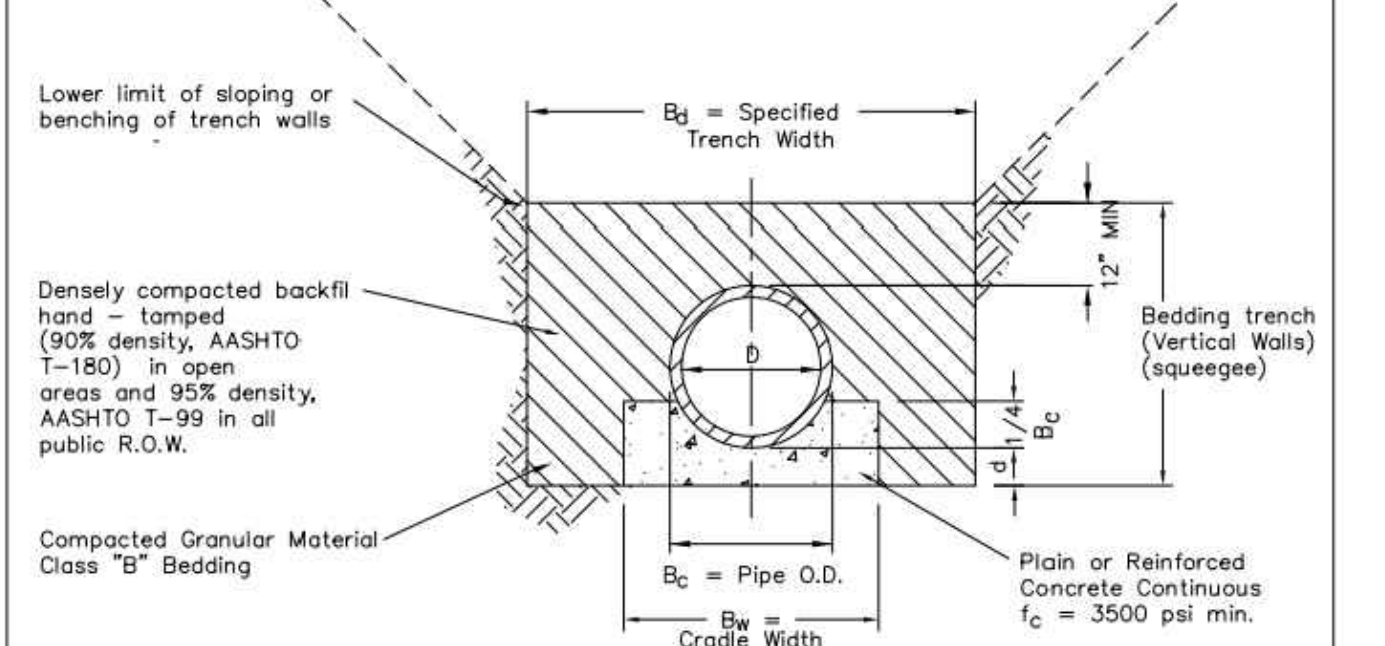
APPROVED: PVR 5/98 2/00 1/16 10/16

DIRECTOR OF ENGINEERING

SHEET S4.1



CONCRETE ARCH



CONCRETE CRADLE

NOTE: The Design Engineer shall be responsible for structural design of the concrete cradle and/or concrete arch.

TABLE III

NOMINAL DIAMETER (D)	MINIMUM THICKNESS (t)	MIN. WIDTH OF CRADLE (B_w)
18" & smaller	6"	$B_c + 8"$
21" to 24"	6"	$B_c + 8"$
27" to 33"	8"	$B_c + 8"$
36" to 42"	10"	$1.25 B_c$
48" & larger	1/4 D	$1.25 B_c$

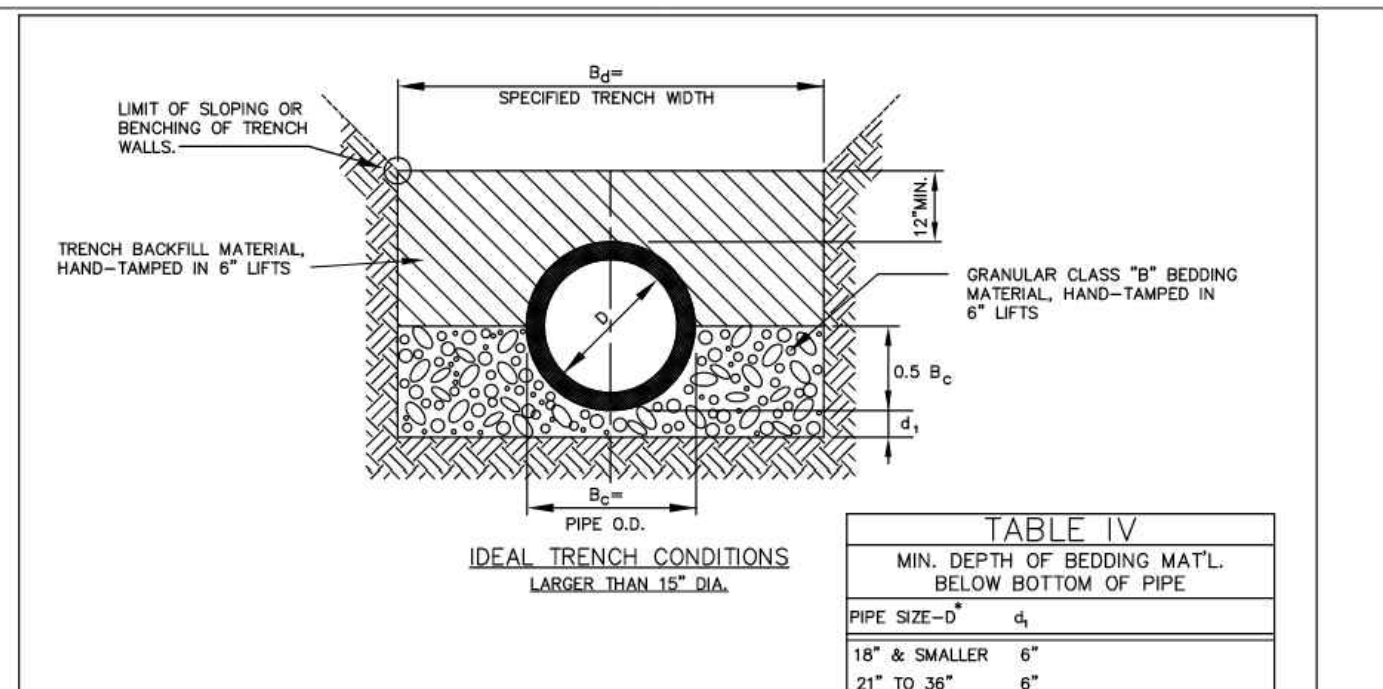
PARKER WATER & SANITATION DISTRICT
TRENCHING AND BEDDING DETAIL - CLASS "A"

SCALE: NONE DATE: 2/98

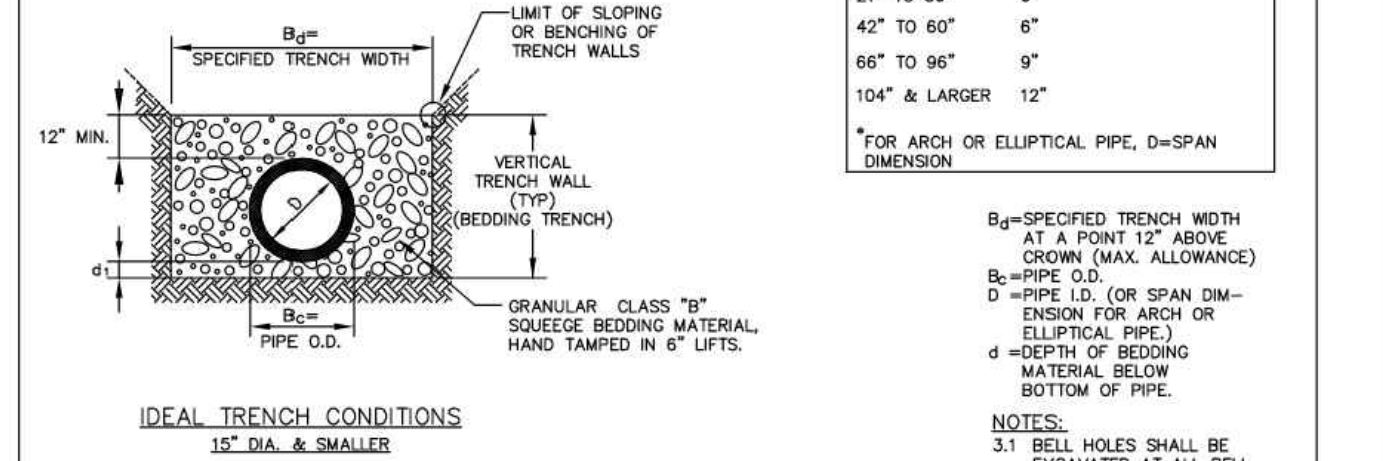
APPROVED: PVR 5/98 2/00 1/16 10/16

DIRECTOR OF ENGINEERING

SHEET S4.2



IDEAL TRENCH CONDITIONS LARGER THAN 12" DIA.



IDEAL TRENCH CONDITIONS 12" DIA. & SMALLER

GENERAL NOTES:
 G-1 THESE DETAILS ARE TYPICAL FOR NORMAL TRENCH CONDITIONS. FOR INSTALLATIONS OTHER THAN THESE (SUCH AS EMBANKMENT OR TUNNEL INSTALLATIONS, ETC.) EXCAVATION, BEDDING AND BACKFILL REQUIREMENTS SHALL BE DETAILED ON THE CONSTRUCTION DRAWINGS. FOR UNUSUAL OR UNSTABLE SOIL CONDITIONS, TRENCH AND BEDDING DETAILS SHALL BE A SPECIAL DESIGN.

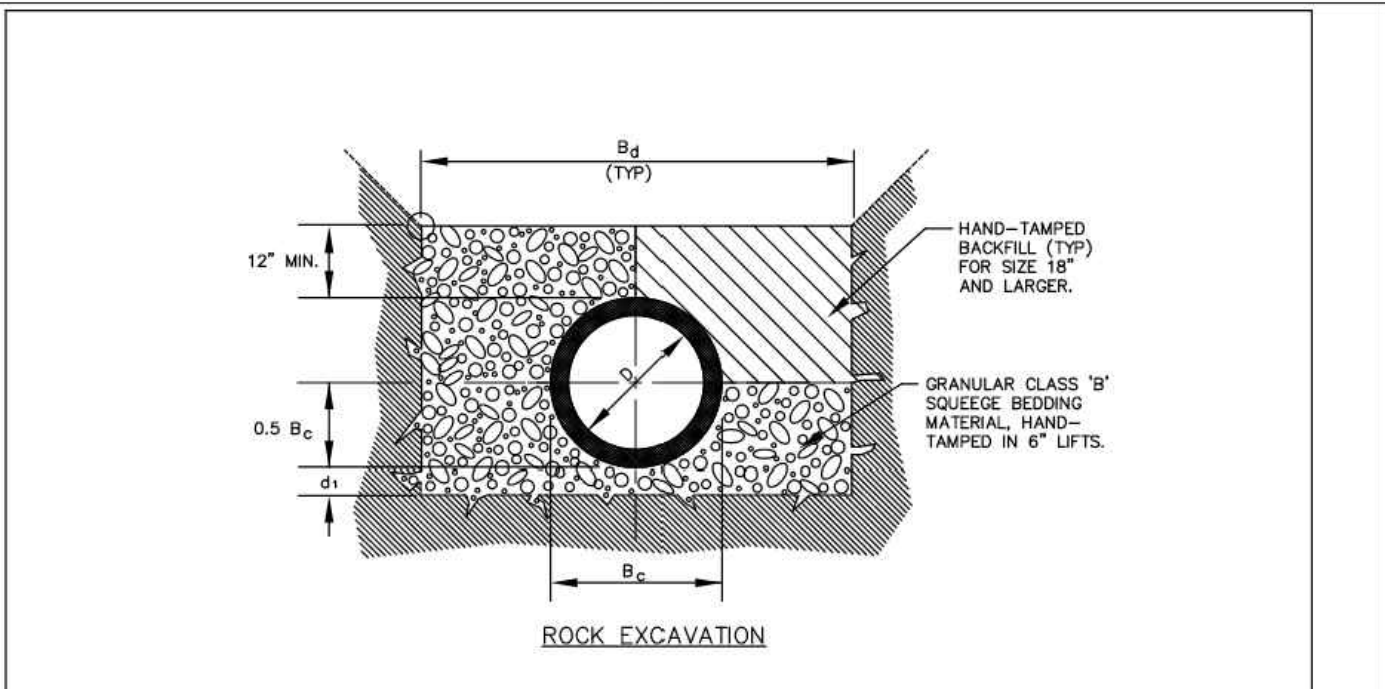
PARKER WATER & SANITATION DISTRICT
TRENCHING AND BEDDING DETAIL CLASS "B"

SCALE: NONE DATE: 2/98

APPROVED: PVR 5/98 2/00 1/16 10/16

DIRECTOR OF ENGINEERING

SHEET S4.3



CLASS "B" BEDDING

GENERAL NOTES:
 G-1 THESE DETAILS ARE TYPICAL FOR NORMAL TRENCH CONDITIONS. FOR INSTALLATIONS OTHER THAN THESE (SUCH AS EMBANKMENT OR TUNNEL INSTALLATIONS, ETC.) EXCAVATION, BEDDING AND BACKFILL REQUIREMENTS SHALL BE DETAILED ON THE CONSTRUCTION DRAWINGS. FOR UNUSUAL OR UNSTABLE SOIL CONDITIONS, TRENCH AND BEDDING DETAILS SHALL BE A SPECIAL DESIGN.

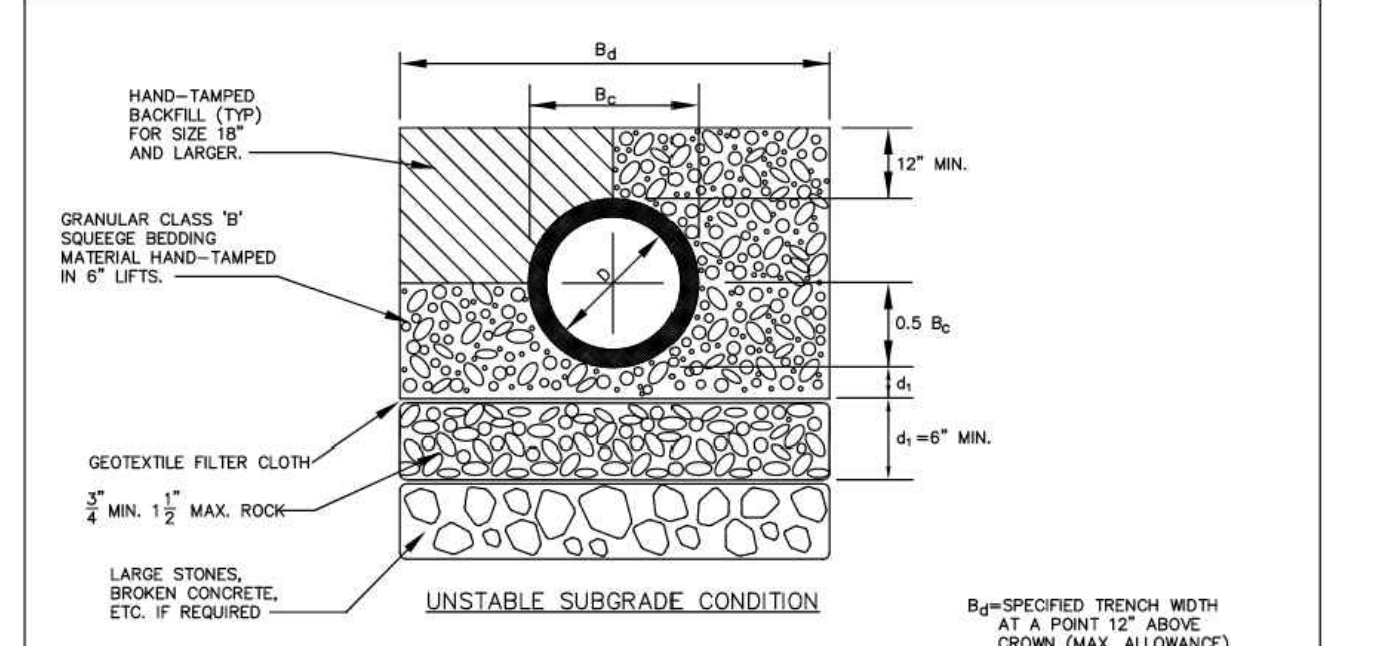
PARKER WATER & SANITATION DISTRICT
TRENCHING AND BEDDING DETAIL CLASS "B"

SCALE: NONE DATE: 2/98

APPROVED: PVR 5/98 2/00 1/16 10/16

DIRECTOR OF ENGINEERING

SHEET S4.4



CLASS "B" BEDDING

TABLE IV
MIN. DEPTH OF BEDDING MAT'L. BELOW BOTTOM OF PIPE

PIPE SIZE - D"	d
18" & SMALLER	6"
21" TO 36"	6"
42" TO 60"	6"
66" TO 96"	9"
104" & LARGER	12"

* FOR ARCH OR ELLIPTICAL PIPE, D=SPAN DIMENSION

GENERAL NOTES:
 G-1 THESE DETAILS ARE TYPICAL FOR NORMAL TRENCH CONDITIONS. FOR INSTALLATIONS OTHER THAN THESE (SUCH AS EMBANKMENT OR TUNNEL INSTALLATIONS, ETC.) EXCAVATION, BEDDING AND BACKFILL REQUIREMENTS SHALL BE DETAILED ON THE CONSTRUCTION DRAWINGS. FOR UNUSUAL OR UNSTABLE SOIL CONDITIONS, TRENCH AND BEDDING DETAILS SHALL BE A SPECIAL DESIGN.

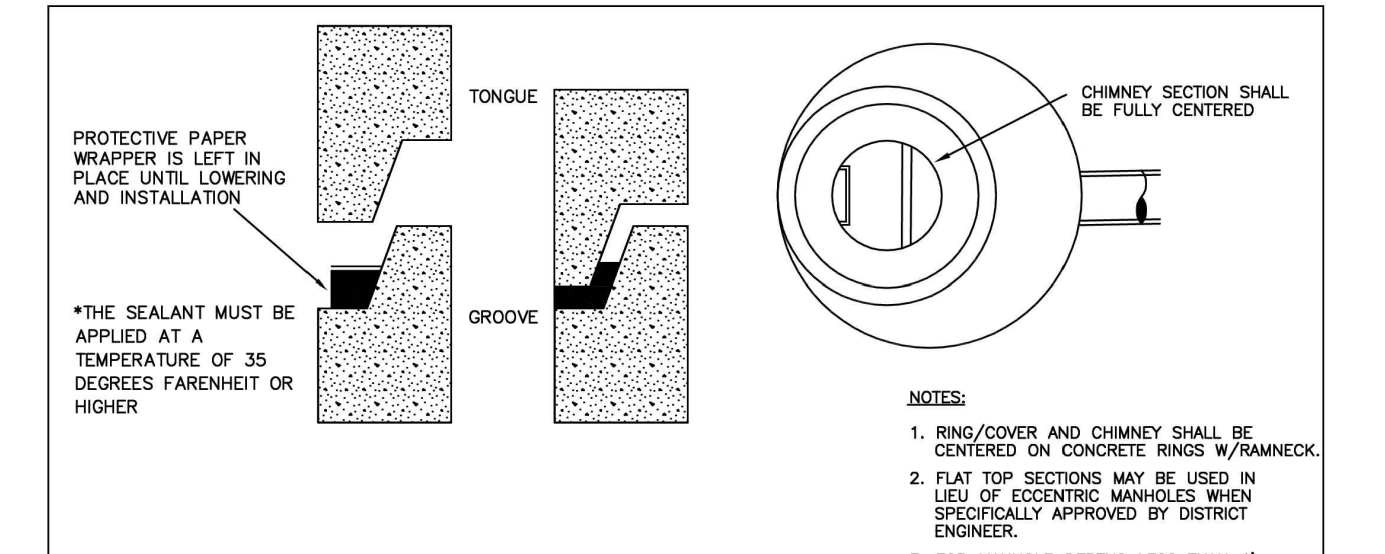
PARKER WATER & SANITATION DISTRICT
TRENCHING AND BEDDING DETAIL CLASS "B"

SCALE: NONE DATE: 2/98

APPROVED: PVR 5/98 2/00 1/16 10/16

DIRECTOR OF ENGINEERING

SHEET S4.5



SAMPLING MANHOLE

NOTE: SEAL INSIDE WITH MORTAR (TYP. ALL INTERIOR SEAMS)

24" C.I. MH RING & COVER, LID MAY HAVE NO PROTRUSIONS ABOVE MH RIM LEVEL

CONCRETE COLLAR (WHEN NOT IN PAVEMENT)

CHIMNEY 20" MAX.

SET EACH BARREL SECTION IN FULL BED OF BITUMINOUS MASTIC (RAMNECK) OR PLASTIC SEALING COMPOUND

POLYETHYLENE OR ALUMINUM MANHOLE STEPS POSTION OVER SHELF IN VERT. LINE

TO SEWER MAIN

POURED IN PLACE BASE

MANHOLE I.D. + 16"

#4 @ 12" OR 6" X 6" - 0/0 W.W.F.

PARKER WATER & SANITATION DISTRICT
SAMPLING MANHOLE

SCALE: NONE DATE: 2/98

APPROVED: PVR 5/98 2/00 1/16 10/16

DIRECTOR OF ENGINEERING

SHEET S5.3

INSPECTION POLICY:

- ALL SERVICE INSPECTIONS MUST BE SCHEDULED WITH THE DISTRICT OFFICE AT LEAST 24 HOURS IN ADVANCE OF THE REQUESTED INSPECTION.
- IF THE CONTRACTOR IS NOT READY FOR INSPECTION WHEN THE INSPECTOR ARRIVES AT THE SITE, A RE-INSPECTION WILL HAVE TO BE SCHEDULED IN ACCORDANCE WITH NOTE 1 ABOVE AND A RE-INSPECTION FEE CHARGED.
- SHOULD THE SERVICE LINES BE DAMAGED BY LATER CONSTRUCTION, AN INSPECTION OF THE REPAIR WILL BE REQUIRED IN ACCORDANCE WITH NOTES 1 AND 2 ABOVE.
- THE CONTRACTOR SHALL LEAVE ALL PIPE AND FITTINGS EXPOSED FOR THE INSPECTOR TO OBSERVE. INSPECTORS WILL NOT ENTER ANY EXCAVATIONS TO CHECK MATERIALS. THE TOP LAYER OF BEDDING CAN BE ADDED AFTER THE INSPECTION HAS BEEN COMPLETED.
- ALL EXCAVATIONS SHALL BE IN ACCORDANCE WITH OSHA STANDARDS.
- LOTS WITHOUT BUILDING ADDRESSES OR LOT AND BLOCK NUMBERS BEFORE DISTRICT INSPECTION OR METER SET WILL FAIL AUTOMATICALLY.
- CONTRACTOR MUST BE PRESENT AT TIME OF INSPECTION UNLESS COORDINATED WITH DISTRICT INSPECTOR.

INSTALLATION NOTES:
 SEWER

- ACCEPTABLE PIPE MATERIALS ARE TO BE SDR 35 PVC PIPE, ABS PIPE AND PVC SCHD 40 PIPE. APPROVED BEDDING IS TO BE SQUEEGEE.
- NO-HUB CLAMPS SHALL BE USED TO JOIN 2 MALE PIPE ENDS WITH A MAXIMUM DEFLECTION OF 3'.
- MINIMUM GRADE SHALL BE 2%.
- INSTALLATION SHALL INCLUDE NO MORE THAN 3 BENDS. 90° BENDS ARE NOT ALLOWED. SOLVENT WELDED PIPE WILL NOT BE ALLOWED.
- CLEAN-OUTS SHALL BE INSTALLED AT 100' INTERVALS AND EVERY CHANGE IN DIRECTION. CLEAN-OUTS ARE NOT REQUIRED FOR SERVICES LESS THAN 100' UNLESS THERE ARE CHANGES IN DIRECTION. PROVIDE DUAL CLEAN-OUT WITHIN 5 FEET OF FOUNDATION.
- STRESSING OF THE PIPE BETWEEN FITTINGS WILL NOT BE ALLOWED.
- SEWER SERVICE LINE SHALL NOT BE LOCATED UNDER CONCRETE SURFACE.
- ALL SERVICES WILL BE PERMANENTLY MARKED ON CURB FACE AS FOLLOWS:
 * FOR SANITARY SEWER SERVICE
 V FOR WATER SERVICES

PARKER WATER & SANITATION DISTRICT
DISTRICT POLICIES & INSTALLATION NOTES FOR SEWER SERVICES

SCALE: NONE DATE: 2/98

APPROVED: PVR 5/98 2/00 1/16 10/16

DIRECTOR OF ENGINEERING

SHEET S1.1



CEI ENGINEERING ASSOCIATES, INC.
 710 W. PINEDALE AVE.
 FRESNO, CA 93711
 PHONE: (559) 447-3119
 FAX: (559) 447-3129



CLIENT
 3K1 CONSULTING SERVICES, LLC
 11811 N. TATUM BOULEVARD,
 PHOENIX, ARIZONA 85028
 PHONE: (602) 850-8101



PLANS PREPARED FOR
 QUICK N CLEAN
 7291 E. ADOBE DRIVE, SUITE 115
 SCOTTSDALE, AZ 85255
 PHONE: (480) 707-3531

REVISION

NO.	DESCRIPTION	DATE

FOR REVIEW ONLY
 NOT FOR
 CONSTRUCTION

QUICK N CLEAN
 9572 TWENTY MILE ROAD
 PARKER, COLORADO

CONSTRUCTION DOCUMENTS



PROFESSIONAL OF RECORD TAB
 PROJECT MANAGER ASD
 DESIGNER RM
 CEI PROJECT NUMBER 31672
 DATE 12/9/2022
 REVISION REV-6

UTILITY DETAILS
 SHEET TITLE
 SHEET NUMBER

C7.4

- INSPECTION POLICY:**
1. ALL SERVICE INSPECTIONS MUST BE SCHEDULED AT LEAST 24 HOURS IN ADVANCE OF THE REQUESTED INSPECTION.
 2. SERVICE INSPECTIONS WILL OCCUR BETWEEN 1:00 P.M. AND 3:00 P.M. SPECIFIC INSPECTION TIMES ARE NOT AVAILABLE.
 3. IF THE CONTRACTOR IS NOT READY FOR INSPECTION WHEN THE INSPECTOR ARRIVES AT THE SITE OR SERVICE FAILS, A RE-INSPECTION WILL HAVE TO BE SCHEDULED IN ACCORDANCE WITH NOTES 1 AND 2 ABOVE AND A RE-INSPECTION FEE CHARGED.
 4. SHOULD THE SERVICE LINES BE DAMAGED BY LATER CONSTRUCTION, AN INSPECTION OF THE REPAIR WILL BE REQUIRED IN ACCORDANCE WITH NOTES 1 AND 2 ABOVE.
 5. THE CONTRACTOR SHALL LEAVE ALL PIPE AND FITTINGS EXPOSED FOR THE INSPECTOR TO OBSERVE. INSPECTORS WILL NOT ENTER ANY EXCAVATIONS TO CHECK MATERIALS. THE TOP LAYER OF BEDDING CAN BE ADDED AFTER THE INSPECTION HAS BEEN COMPLETED.
 6. ALL EXCAVATIONS SHALL BE IN ACCORDANCE WITH OSHA STANDARDS.
 7. LOTS WITHOUT BUILDING ADDRESSES BEFORE DISTRICT INSPECTION OR METER SET WILL FAIL AUTOMATICALLY.
 8. CONTRACTOR MUST BE PRESENT AT TIME OF INSPECTION, UNLESS COORDINATED WITH DISTRICT INSPECTOR.

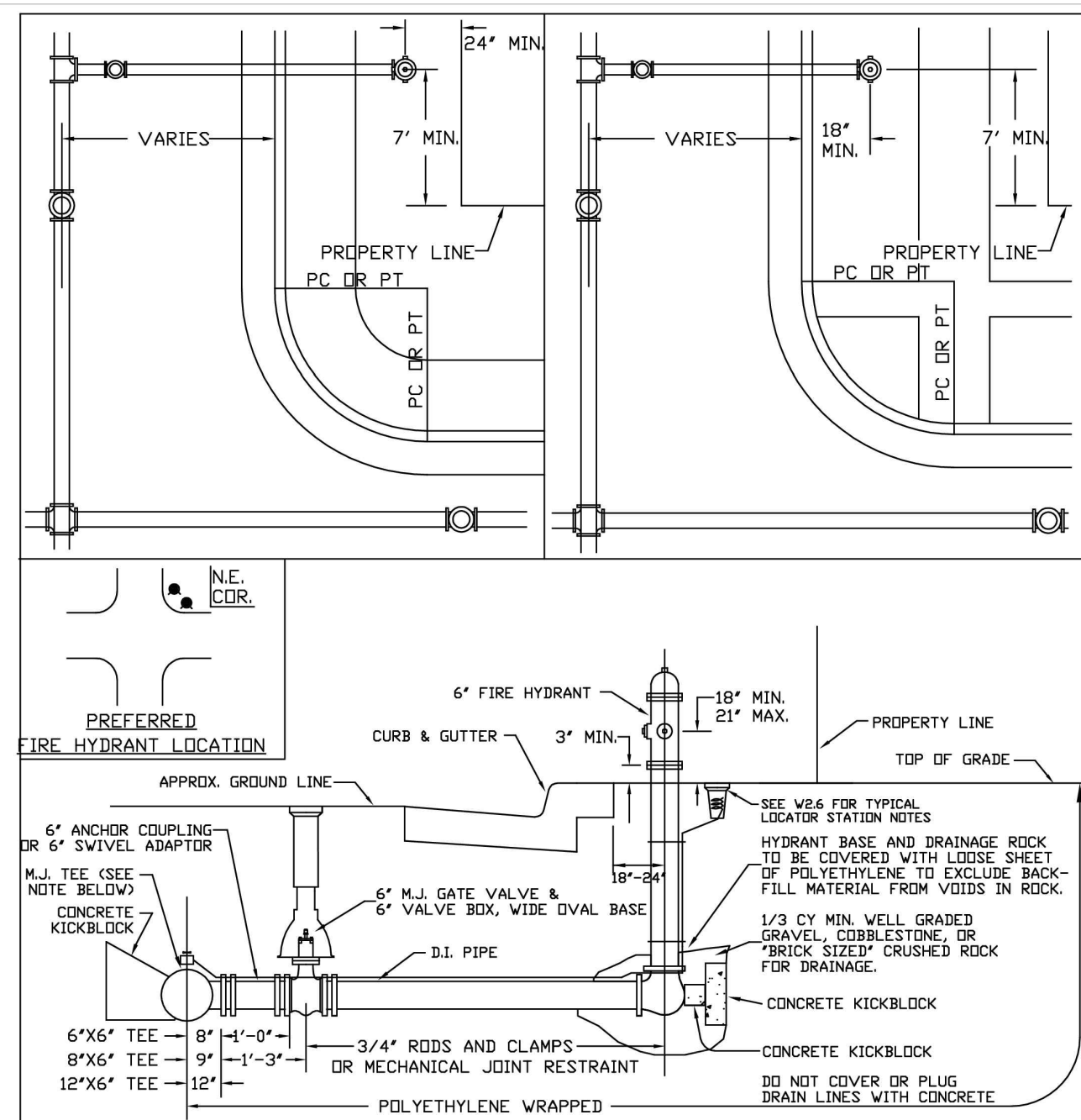
- INSTALLATION NOTES:**
- WATER**
1. ACCEPTABLE PIPE MATERIALS SHALL BE K-COPPER TUBING (3/4" MIN.)
 2. APPROVED BEDDING TO BE SQUEEGEE.
 3. ONLY ONE COUPLING WILL BE ALLOWED BETWEEN THE STUB-IN AND BUILDING. COMPRESSION COUPLINGS WILL NOT BE ALLOWED ON NEW CONSTRUCTION. SILVER SOLDERED JOINTS MUST BE USED ON SERVICES LARGER THAN 3/4". SILVER SOLDERED JOINTS MUST BE INSPECTED BY PWS BEFORE BURIAL. FLARED COUPLINGS WILL BE ALLOWED ON ALL SERVICES 3/4" AND SMALLER.
 4. A WATER SERVICE WHICH CROSSES A SEWER SERVICE CAN DO SO ONLY AT A 45-90° ANGLE. WATER SERVICES SHALL BE LOCATED A MINIMUM OF 18" ABOVE SEWER SERVICE.
 5. WATER SERVICE FOUNDATION PENETRATIONS SHALL BE WATERPROOFED USING MASTIC OR OTHER APPROVED METHOD, CRAWL SPACE REQUIRES CONTINUOUS COPPER WITH A 1" BURY.
 6. CURB STOP MUST BE PLUMB AND CENTERED OVER THE NUT. IT SHOULD BE STRAPPED TO THE METER PIT (RESIDENTIAL INSTALLATIONS) OR CENTERED OVER THE EASEMENT LINE (COMMERCIAL INSTALLATIONS). THE ASSEMBLY MUST BE AT OR SLIGHTLY ABOVE FINISHED GRADE.
 7. MOVED CURB BOXES MUST BE INSPECTED BY PWS PRIOR TO BURIAL.
 8. WATERLINE MUST BE ATTACHED TO A SUPPORT BOARD THAT IS MOUNTED TO THE WALL.
 9. NO VOIDS ALLOWED UNDER WATERLINES FROM STOP BOX TO FOUNDATION.
 10. CURBSTOP BOXES AND METER PITS CANNOT BE IN DRIVEWAYS.
 11. ONLY 3/4" (JUMPER) PIPES (RESIDENCES) ARE ALLOWED. (JUMPER) PIPES WILL BE REMOVED PRIOR TO METER SET DATE.
 12. ALL SERVICES WILL BE PERMANENTLY MARKED ON CURB FACE AS FOLLOWS:
"X" FOR SANITARY SEWER SERVICE
"W" FOR WATER SERVICES
 13. NO SPLICES OR FLARED COUPLINGS ALLOWED ON SERVICES LARGER THAN 3/4". SILVER SOLDERED JOINTS MUST BE USED IN MOVING STOPBOXES ON SERVICES LARGER THAN 3/4". SILVER SOLDERED JOINTS MUST BE INSPECTED BY PWS PRIOR TO BURIAL. FLARED COUPLINGS WILL BE ALLOWED ON ALL SERVICES 3/4" AND SMALLER.

PARKER WATER & SANITATION DISTRICT
DISTRICT POLICIES & INSTALLATION NOTES FOR WATER SERVICES

SCALE: NONE	DATE: 2/96
APPROVED: PVR	1/04 1/16 10/16
DIRECTOR OF ENGINEERING	

2016 REVISION

SHEET W1.1



PARKER WATER & SANITATION DISTRICT
FIRE HYDRANTS LOCATION & INSTALLATION

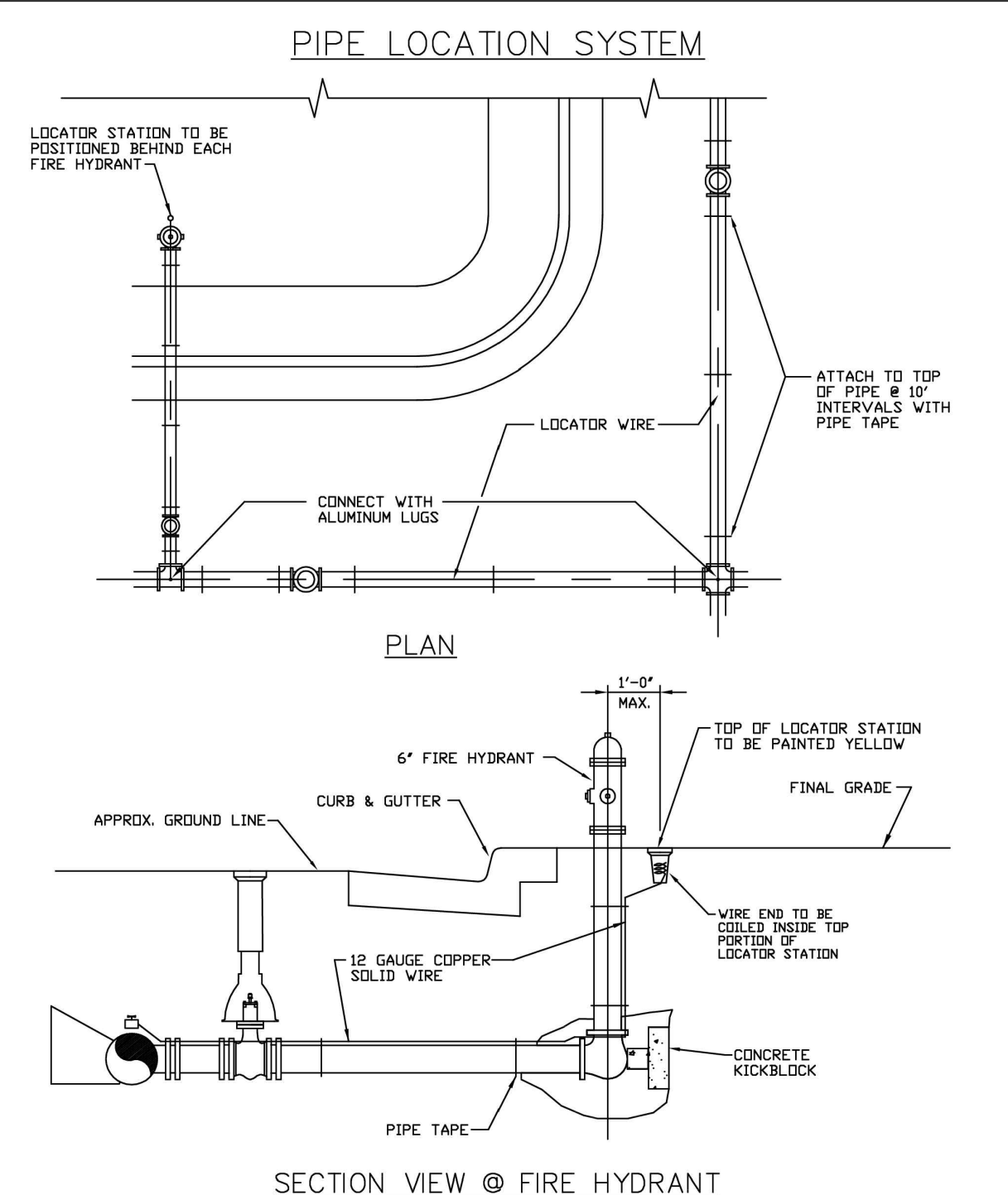
SCALE: NONE DATE: 2/96

APPROVED: PVR 4/01 01/02 01/16 12/07 1/16

DIRECTOR OF ENGINEERING

2016 REVISION

SHEET W2.5



PARKER WATER & SANITATION DISTRICT
LOCATOR WIRE DETAILS

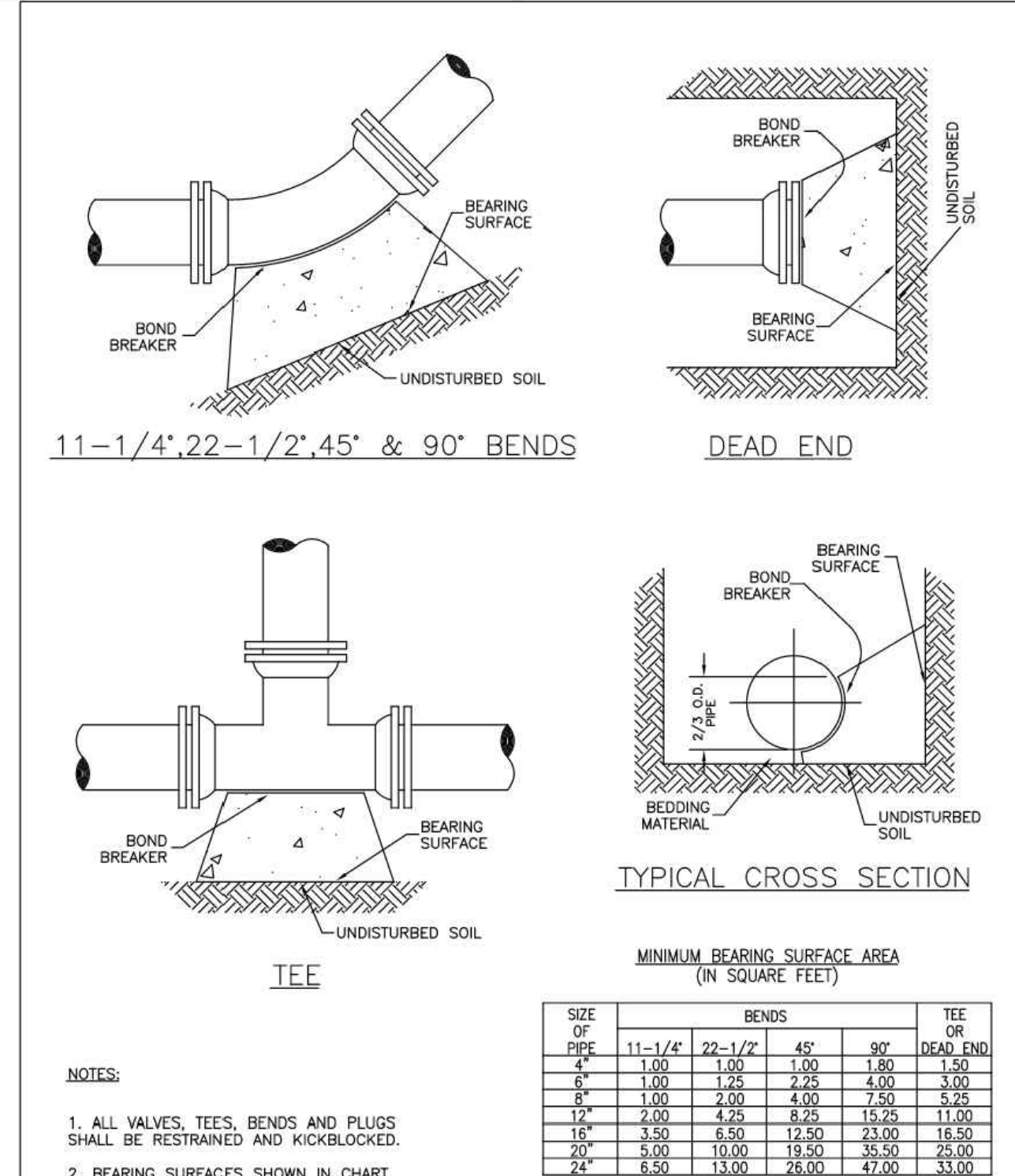
SCALE: NONE DATE: 2/96

APPROVED: PVR 4/01 01/02 01/16 10/16

DIRECTOR OF ENGINEERING

2016 REVISION

SHEET W2.6



PARKER WATER & SANITATION DISTRICT
BEARING SURFACES AND INSTALLATION

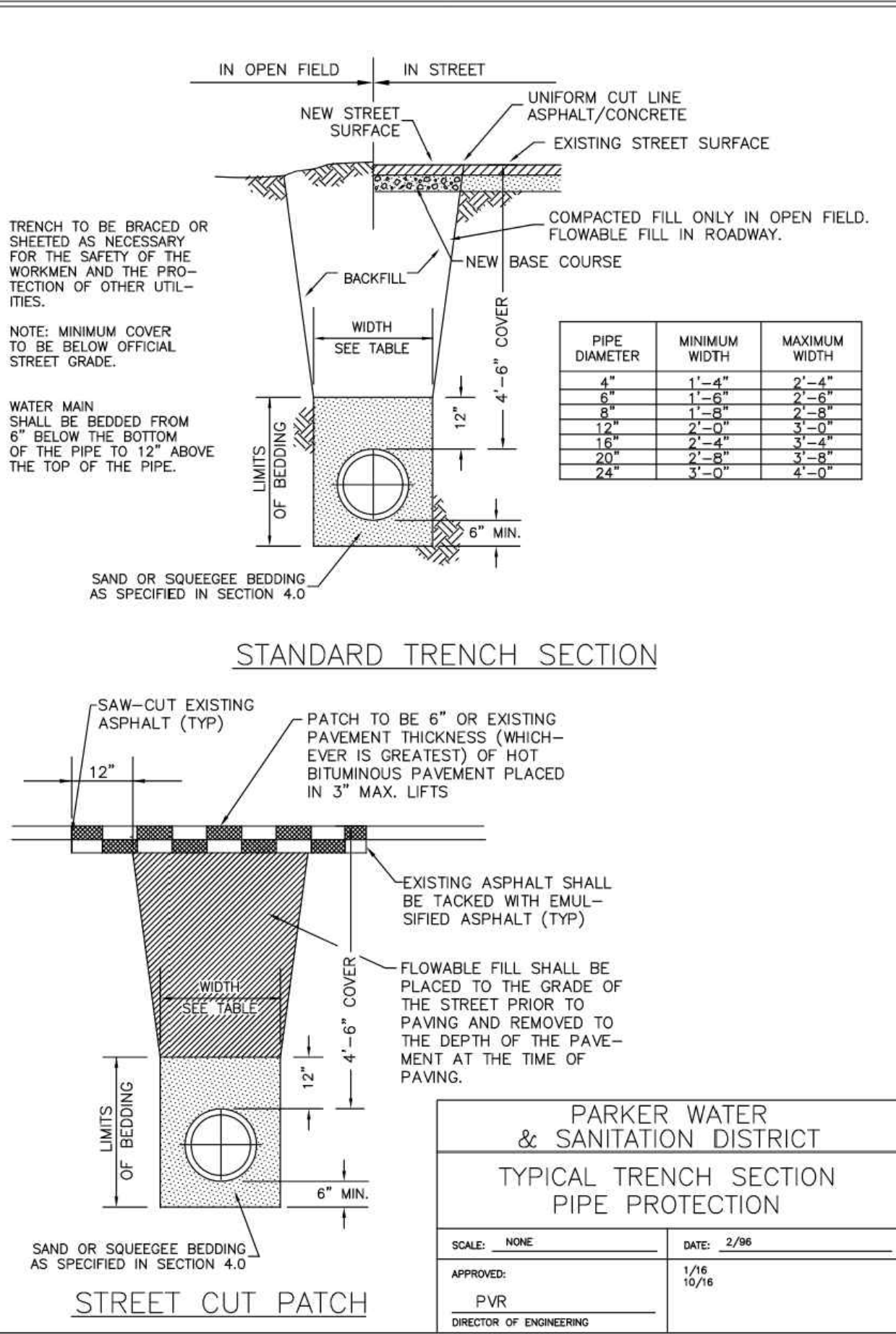
SCALE: NONE DATE: 2/96

APPROVED: PVR 4/01 1/16 10/16

DIRECTOR OF ENGINEERING

2016 REVISION

SHEET W3.18



PARKER WATER & SANITATION DISTRICT
TYPICAL TRENCH SECTION PIPE PROTECTION

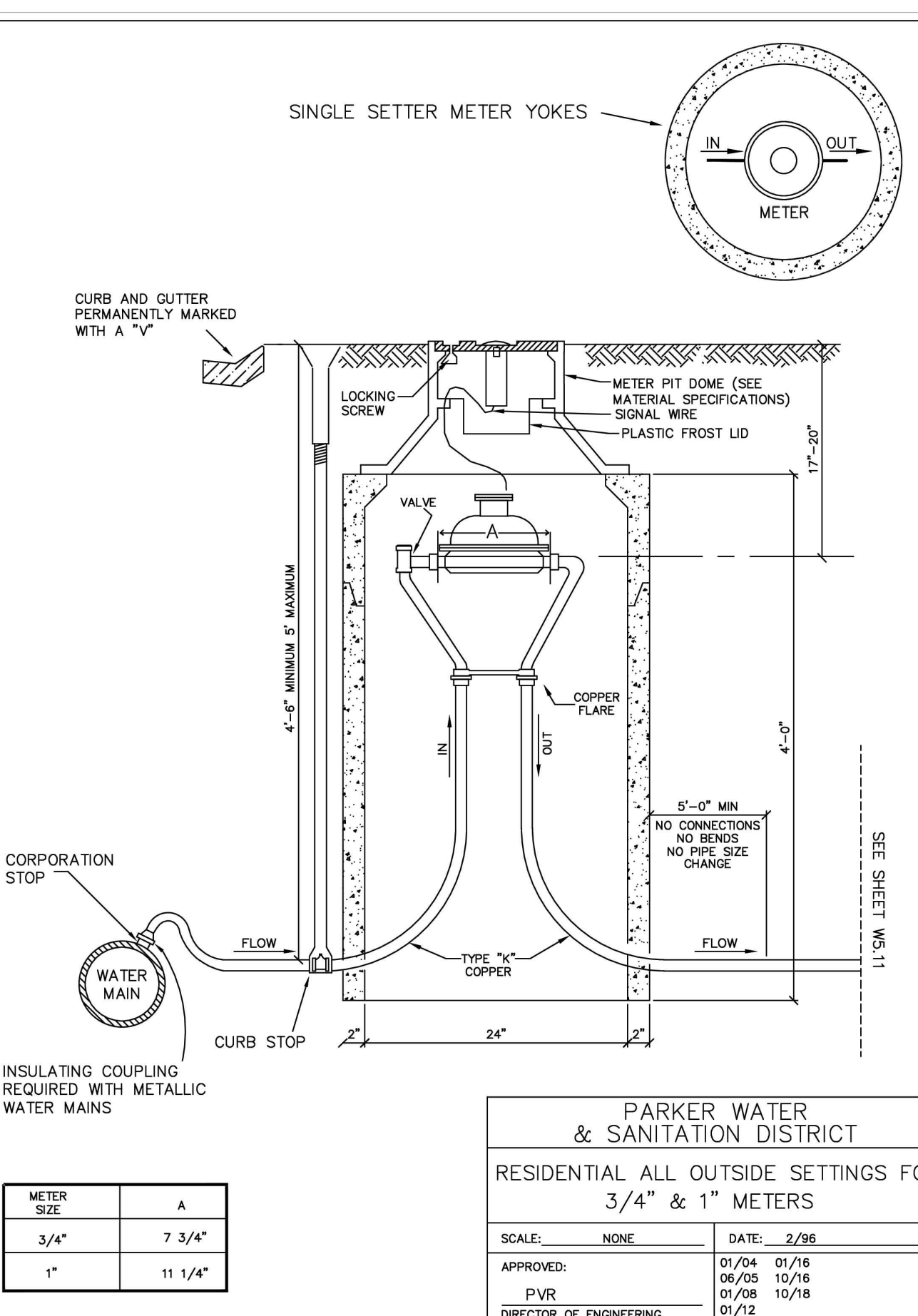
SCALE: NONE DATE: 2/96

APPROVED: PVR 1/04 1/16 10/16

DIRECTOR OF ENGINEERING

2016 REVISION

SHEET W4.1



PARKER WATER & SANITATION DISTRICT
RESIDENTIAL ALL OUTSIDE SETTINGS FOR 3/4\"/>

METER SIZE	A
3/4"	7 3/4"
1"	11 1/4"

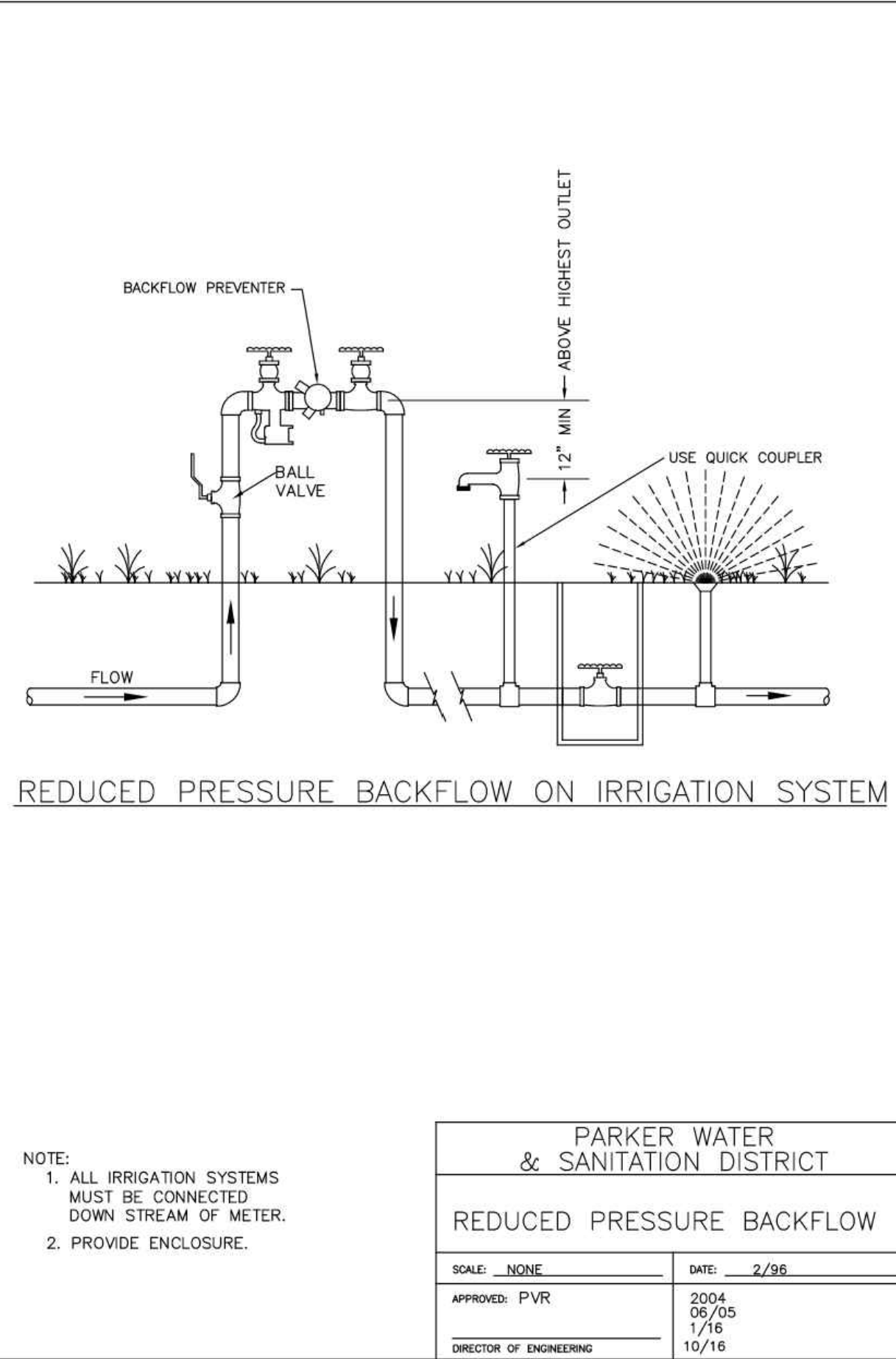
SCALE: NONE DATE: 2/96

APPROVED: PVR 01/04 01/16 06/05 10/16 01/08 10/16 01/12

DIRECTOR OF ENGINEERING

2018 REVISION

SHEET W5.10



PARKER WATER & SANITATION DISTRICT
REDUCED PRESSURE BACKFLOW

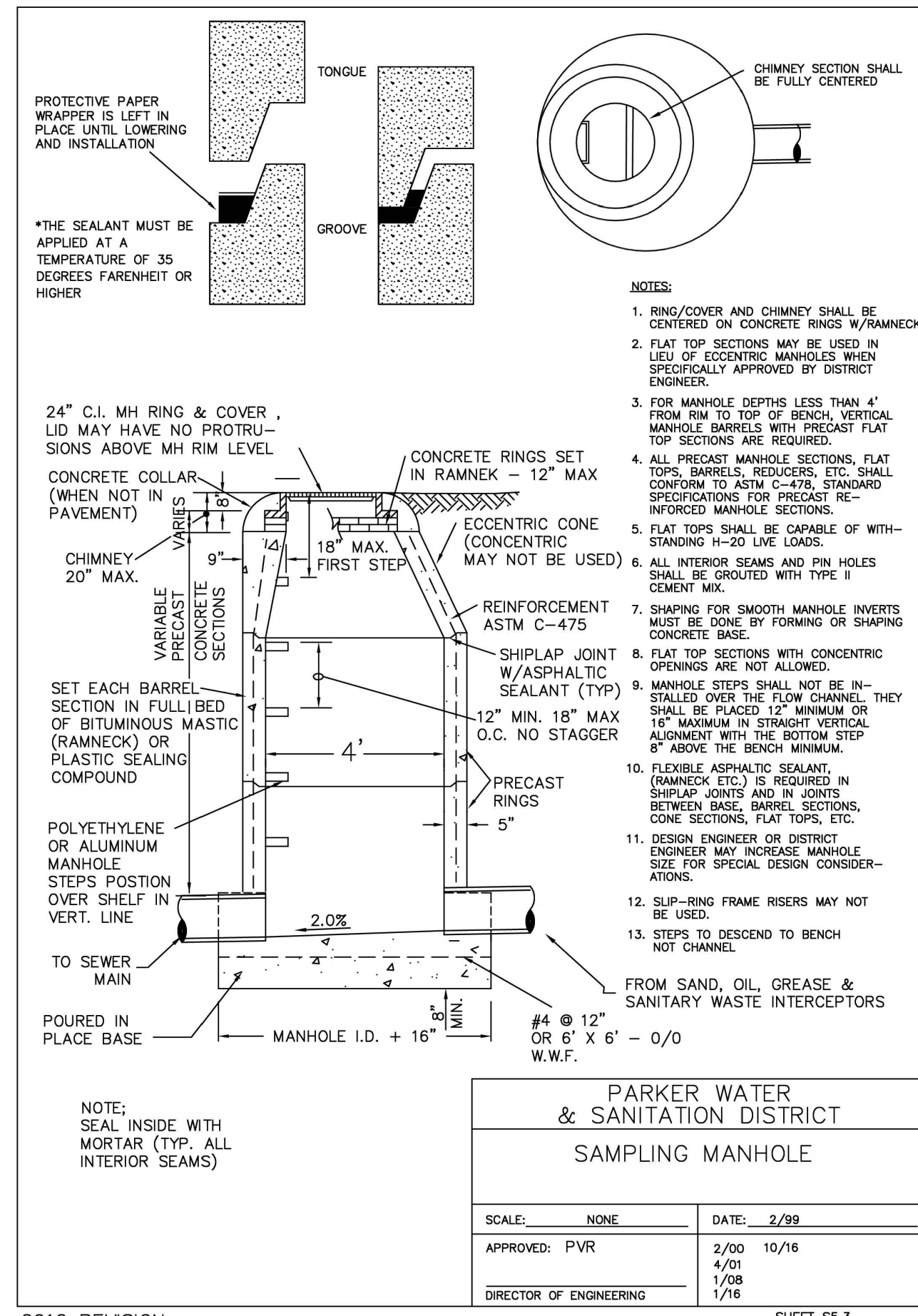
SCALE: NONE DATE: 2/96

APPROVED: PVR 2004 05/05 1/16 10/16

DIRECTOR OF ENGINEERING

2016 REVISION

SHEET W6.1



PARKER WATER & SANITATION DISTRICT
SAMPLING MANHOLE

SCALE: NONE DATE: 2/96

APPROVED: PVR 2/00 10/16 4/01 1/08 1/16

DIRECTOR OF ENGINEERING

2016 REVISION

SHEET S5.3



CEI ENGINEERING ASSOCIATES, INC.
710 W. PINDALE AVE.
FRESNO, CA 93711
PHONE: (559) 447-3119
FAX: (559) 447-3129



CLIENT
3K1 CONSULTING SERVICES, LLC.
11811 N. TATUM BOULEVARD,
PHOENIX, ARIZONA 85028
PHONE: (602) 850-8101



PLANS PREPARED FOR
QUICK N CLEAN
7291 E. ADOBE DRIVE, SUITE 115
SCOTTSDALE, AZ 85255
PHONE: (480) 707-3531

REVISION		
NO.	DESCRIPTION	DATE

FOR REVIEW ONLY
NOT FOR
CONSTRUCTION

QUICK N CLEAN
9572 TWENTY MILE ROAD
PARKER, COLORADO



PROFESSIONAL OF RECORD	TAB
PROJECT MANAGER	ASD
DESIGNER	RM
CEI PROJECT NUMBER	31672
DATE	12/9/2022
REVISION	REV-6

UTILITY DETAILS
SHEET TITLE
SHEET NUMBER

C7.5

DRAWING LOCATION: P:\316000\31672\DRAWINGS\DESIGN\WORKING\31672-UP-DWG - SAVED BY: MACALDERON

GENERAL NOTES

- CONTRACTOR IS RESPONSIBLE FOR ENSURING THAT ALL PROPOSED LANDSCAPING IS INSTALLED IN ACCORDANCE WITH PLANS, DETAILS, SPECIFICATIONS (IF APPLICABLE) AND ALL LOCAL CODES AND REQUIREMENTS.
- CONTRACTOR TO INSPECT SITE AND VERIFY CONDITIONS AND DIMENSIONING PRIOR TO PROCEEDING WITH WORK DESCRIBED HERE IN. NOTIFY LANDSCAPE ARCHITECT OF ANY DISCREPANCIES PRIOR TO BEGINNING ANY CONSTRUCTION.
- QUANTITIES PROVIDED IN THE PLANT LIST ARE FOR GENERAL USE ONLY. CONTRACTOR IS RESPONSIBLE FOR VERIFICATION OF ALL PLANT AND LANDSCAPE MATERIAL QUANTITIES. SYMBOL COUNT ON PLAN TAKES PRECEDENCE OVER TABLE QUANTITIES.
- IMMEDIATELY AFTER AWARD OF CONTRACT, NOTIFY THE OWNER'S REPRESENTATIVE AND/OR THE LANDSCAPE ARCHITECT OF UNAVAILABILITY OF SPECIFIED PLANT MATERIAL FROM COMMERCIAL NURSERIES. THE OWNER'S REPRESENTATIVE AND/OR LANDSCAPE ARCHITECT WILL PROVIDE ALTERNATE PLANT MATERIAL SELECTIONS IF UNAVAILABILITY OCCURS. SUCH CHANGES SHALL NOT ALTER THE ORIGINAL BID PRICE UNLESS A CREDIT IS DUE TO THE OWNER.
- ALL PLANT MATERIALS TO CONFORM TO THE AMERICAN STANDARD FOR NURSERY STOCK ANSI Z60.1.
- CONTAINER GROWN STOCK SHOULD HAVE GROWN IN A CONTAINER LONG ENOUGH FOR THE ROOT SYSTEM TO HAVE DEVELOPED SUFFICIENTLY TO HOLD ITS SOIL TOGETHER.
- ANY PLANT SUBSTITUTIONS, RELOCATION, OR REQUIRED CHANGE SHALL REQUIRE THE WRITTEN APPROVAL OF THE LANDSCAPE ARCHITECT OR OWNER.
- THE OWNER'S REPRESENTATIVE AND/OR LANDSCAPE ARCHITECT RESERVE THE RIGHT TO REFUSE ANY MATERIAL THEY DEEM UNACCEPTABLE.
- COORDINATE WITH PROJECT REPRESENTATIVE FOR DISTURBED SITE TREATMENTS OUTSIDE LANDSCAPE IMPROVEMENTS. SEE CIVIL PLANS FOR SOIL STABILIZATION FOR EROSION CONTROL.
- IF REQUIRED, CONTRACTOR TO ENSURE THAT AN AUTOMATED IRRIGATION SYSTEM THAT PROVIDES COMPLETE COVERAGE OF THE SITE IS INSTALLED PRIOR TO INSTALLING TREES/PALMS (SEE IRRIGATION PLAN SHEET IF PROVIDED). IF NO PLAN IS PROVIDED THE CONTRACTOR SHALL SUBMIT A PROPOSED DESIGN TO THE LANDSCAPE ARCHITECT/ENGINEER FOR APPROVAL PRIOR TO INSTALLATION. THE PROPOSED DESIGN MUST HAVE AN APPROVED BACKFLOW DEVICE AND RAIN SENSOR INSTALLED TO STOP IRRIGATION DURING RAIN EVENTS. CONTRACTOR SHALL ENSURE THAT THERE IS POSITIVE DRAINAGE AND NO PONDING OF WATER AT ROOT AREA.
- ALL SLOPES AND AREAS DISTURBED BY CONSTRUCTION SHALL BE GRADED SMOOTH AND FOUR INCHES OF TOPSOIL APPLIED. IF ADEQUATE TOPSOIL IS NOT AVAILABLE ON SITE, THE CONTRACTOR SHALL PROVIDE TOPSOIL, APPROVED BY THE OWNER, AS NEEDED. THE AREA SHALL THEN BE SEEDED/SODDED, FERTILIZED, MULCHED, WATERED AND MAINTAINED UNTIL HARDY GRASS GROWTH IS ESTABLISHED IN ALL AREAS. ANY RELOCATED TREES SHALL BE MAINTAINED UNTIL SUCH POINT AS TREE IS RE-ESTABLISHED. ANY AREAS DISTURBED FOR ANY REASON PRIOR TO FINAL ACCEPTANCE OF THE PROJECT SHALL BE CORRECTED BY THE CONTRACTOR AT NO ADDITIONAL COST TO THE OWNER.
- PRIOR TO CONSTRUCTION, THE CONTRACTOR SHALL BE RESPONSIBLE FOR LOCATING ALL UNDERGROUND UTILITIES AND SHALL AVOID DAMAGE TO ALL UTILITIES DURING THE COURSE OF THE WORK. LOCATIONS OF EXISTING BURIED UTILITY LINES SHOWN ON THE PLANS ARE BASED UPON BEST AVAILABLE INFORMATION AND ARE TO BE CONSIDERED APPROXIMATE. IT SHALL BE THE RESPONSIBILITY OF THE CONTRACTOR 1) TO VERIFY THE LOCATIONS OF UTILITY LINES AND ADJACENT TO THE WORK AREA 2) TO PROTECT OF ALL UTILITY LINES DURING THE CONSTRUCTION PERIOD 3) TO REPAIR ANY AND ALL DAMAGE TO UTILITIES, STRUCTURES, SITE APPURTENANCES, ETC. WHICH OCCURS AS A RESULT OF THE CONSTRUCTION AT NO COST TO THE OWNER.
- WEED MAT IS REQUIRED IN LANDSCAPED ISLANDS AS SPECIFIED.
- ALL PLANT MATERIAL QUANTITIES SHOWN ARE APPROXIMATE. CONTRACTOR SHALL BE RESPONSIBLE FOR COMPLETE COVERAGE OF ALL PLANTING BEDS AT SPACING SHOWN.
- IF A SWPPP PLAN IS PROVIDED THIS PLAN IS TO BE IMPLEMENTED COOPERATIVELY WITH SWPPP PLAN, AS NEEDED, TO MAXIMIZE THE EFFECTIVENESS OF THE SWPPP PLAN FOR THIS SITE.
- THE CONTRACTOR IS ENCOURAGED TO COMPLETE TEMPORARY OR PERMANENT SEEDING OR SODDING IN STAGES FOR SOIL STABILIZATION AS AREAS ARE COMPLETED AFTER GRADING.
- ALL DISTURBED AREAS AS DESIGNATED ON THE GRADING PLAN SHALL BE SOWN WITH GRASS SEED MIX OF 40% KENTUCKY BLUEGRASS, 40% TALL FESCUE, 20% PERENNIAL RYEGRASS BY WEIGHT @ 3 LBS / 1000 SF.
- SEEDING ON SLOPES: HYDROSEED WITH GRASS SEED AS INDICATED ON PLANS. SEE LEGEND FOR SPECIFIC GRASS SEED TYPE. SEEDING SHALL BE ACCOMPLISHED IMMEDIATELY AFTER BED PREPARATION. HYDROSEED MIXTURE SHALL CONTAIN CELLULOSE MULCH APPLIED AT A RATE OF 2,000 LBS/ACRE, WITH A MAXIMUM OF 50 LBS/100 GAL. OF WATER. IF SEEDING IS DELAYED AFTER MIXING 1/2 - 2 HOURS ADD AN ADDITIONAL 50% OF SEED MIX. IF DELAY IS LONGER THAN 2 HOURS, BEGIN WITH NEW MIXTURE. ALL SLOPES 2:1 OR GREATER SHALL BE COVERED WITH EROSION CONTROL BLANKET AS SHOWN IN THE EROSION CONTROL BLANKET DETAIL. SEE SPECIFICATIONS FOR SEED ESTABLISHMENT REQUIREMENTS.
- ALL PLANT MATERIAL IN TREE HOLDING AREAS SHALL BE MANUALLY WATERED/IRRIGATED TO KEEP MOIST UNTIL PLANTED.
- THE LANDSCAPE CONTRACTOR SHALL HAVE A SOILS ANALYSIS TEST CONDUCTED ON THE SITE PRIOR TO INSTALLATION OF ANY LANDSCAPE MATERIALS. THE CONTRACTOR SHALL BE RESPONSIBLE FOR COMPLETING THE SOIL SAMPLING AND SUBMITTING THE SAMPLES TO A SOILS TESTING LAB FOR RESULTS. THIS WILL INCLUDE A SEPARATE LAB TEST REPORT AND RECOMMENDATIONS (AMENDMENTS/FERTILIZER AMOUNTS AND APPLICATION RATES) FOR EACH TYPE OF PROPOSED LANDSCAPING (SHRUBS, SOD, TREES). THE SOILS LAB RESULTS AND RECOMMENDATIONS ARE REQUIRED TO BE REVIEWED AND APPROVED BY THE DESIGN LANDSCAPE ARCHITECT PRIOR TO INSTALLING ANY LANDSCAPING MATERIALS ONSITE.

PLANTING NOTES

- LANDSCAPE CONTRACTOR SHALL BE RESPONSIBLE FOR PREPARING ALL PLANTED AREAS. ALL DELETERIOUS MATERIALS SUCH AS ROCK, TRASH, CONSTRUCTION DEBRIS, AGGREGATE BASE MATERIAL, ASPHALT, ETC. SHALL BE REMOVED PRIOR TO ANY FILL OPERATIONS. FILL ALL PLANTING AREAS WITH CLEAN EARTHEN FILL. SOIL SHALL BE FREE OF HEAVY, STIFF CLAY AND ANY DELETERIOUS MATERIAL OVER ONE INCH IN SIZE. THE TOP SIX INCHES OF FILL MATERIAL STRIPPED FROM SITE MAY BE UTILIZED FOR PLANTER OR TOPSOIL FILL IF PRIOR APPROVAL HAS BEEN OBTAINED FROM THE OWNER'S REPRESENTATIVE AND/OR LANDSCAPE ARCHITECT.
- FINISH GRADE OF LANDSCAPE AREAS (TOP OF TURF AND MULCH) MUST BE GRADED TO 1 1/2" BELOW ADJACENT PAVEMENT SURFACES.
- LOCATE SHRUBS A DISTANCE OF HALF OF THEIR AVERAGE MATURE SPREAD AWAY FROM WALKS, STRUCTURES, CONCRETE PADS, ETC. LOCATE GROUND COVER PLANTINGS A MINIMUM OF 2' FROM WALKS, STRUCTURES, CONCRETE PADS, ETC.
- ALL LAWN AREAS NOT OTHERWISE BORDERED BY WALKS, OR OTHER STRUCTURES, SHALL HAVE MANUFACTURED EDGING AS REQUIRED.
- TREES PLANTED ADJACENT TO PUBLIC ROADS AND PEDESTRIAN SIDEWALKS SHALL BE PRUNED SUFFICIENTLY TO AVOID VISUAL BLOCKS TO INTERSECTING VEHICULAR ACCESS OR INTERFERENCE WITH PEDESTRIAN WALKWAYS. TREES WITH A 4" OR LARGER CALIPER SHALL BE PRUNED UP TO 6'-0" ABOVE PAVEMENTS.
- ALL TREES WITHIN 4' OF PAVED SURFACES (SUCH AS CURBS, WALLS, BUILDINGS AND SIDEWALKS) SHALL BE PROVIDED WITH A DEEP ROOT BARRIER CONTROL DEVICE OR EQUAL. INSTALL PER MFR'S SPECIFICATIONS.
- TOPSOIL DEPTH SHALL BE AS FOLLOWS: PLANTER BEDS - 12" MINIMUM GRASS/SOD AREAS - 4" MINIMUM (AFTER COMPACTION)
- BACKFILL ALL TREES, SHRUBS, GROUND COVER WITH A MIXTURE OF 2 PARTS NATIVE SOIL AND 1 PART SOIL CONDITIONING WITH WOOD MULCH.
- THE LANDSCAPE CONTRACTOR SHALL WATER TEST ALL PLANTING HOLE PRIOR TO PLANTING. IF HOLES DO NOT DRAIN PROPERLY, EXCAVATE FURTHER UNTIL IMPERMEABLE LAYER IS BREACHED. EXCAVATED PLANT PITS SHALL HAVE POSITIVE DRAINAGE. PLANT PITS (WHEN FULLY FLOODED WITH WATER) SHALL DRAIN WITHIN 1 HOUR OF FILLING. ENSURE THAT ALL PLANT PITS HAVE POSITIVE DRAINAGE.
- ALL PLANTING BEDS SHALL BE TREATED WITH A PRE-EMERGENT HERBICIDE. PRE-EMERGENT HERBICIDE SHALL BE APPLIED PER MANUFACTURER'S RECOMMENDATIONS AND SHALL OCCUR AFTER TOPSOIL PLACEMENT AND PRIOR TO INSTALLATION OF PLANT MATERIALS AND MULCH.
- FERTILIZE ALL PLANTS AT THE TIME OF PLANTING WITH A TIME RELEASE FERTILIZER PER BRAND'S SPECIFIED APPLICATION RATES.
- ALL PLANTING BED SOILS SHALL BE AMENDED WITH 2" OF ORGANIC COMPOST
- ALL TREES AND SHRUBS SHALL BE PLANTED IN SUCH A MANNER AS TO ENSURE THEIR SURVIVAL.
- ANY ROPE OR WIRE BINDING THE BALL SHALL BE CUT PRIOR TO PREVENT GIRDLING OF THE TREE. REMOVE WIRE, TWINE, AND BURLAP FROM THE TOP HALF OF ALL B&B PLANT MATERIAL.
- IF A NON-BIODEGRADABLE MATERIAL IS USED AROUND THE BALL, IT SHALL BE COMPLETELY REMOVED PRIOR TO BACKFILLING.
- PRIOR TO INSTALLATION, THE ROOTS OF CONTAINER GROWN STOCK SHALL BE SEPARATED OR SPLIT TO ENSURE PROPER ROOT DEVELOPMENT.
- CONTRACTOR SHALL BE RESPONSIBLE FOR DELIVERY SCHEDULE AND PROTECTION BETWEEN DELIVERY AND PLANTING TO MAINTAIN HEALTHY PLANT CONDITIONS.
- ANY PLANT MATERIAL WHICH IS DISEASED, DISTRESSED, DEAD, OR REJECTED (PRIOR TO SUBSTANTIAL COMPLETION) SHALL BE PROMPTLY REMOVED FROM THE SITE AND REPLACED WITH MATERIAL OF THE SAME SPECIES, QUANTITY, AND SIZE AND MEETING ALL PLANT LIST SPECIFICATIONS. TREES & SHRUBS SHALL BE PLANTED AS SOON AS POSSIBLE AFTER DELIVERY.
- ALL TREES MUST BE STRAIGHT-TRUNKED, FULL-HEADED AND MEET ALL REQUIREMENTS SPECIFIED.
- ALL TREES MUST BE STAKED AS SHOWN IN THE DETAILS.
- NO SUBSTITUTIONS OR ALTERNATIVES WILL BE ALLOWED FOR GROUND SURFACE MATERIALS UNLESS APPROVED IN WRITING BY THE LANDSCAPE ARCHITECT OR OWNER.
- MAINTAIN 5' MIN. HORIZONTAL SEPARATION BETWEEN TREE PLANTINGS AND ALL UTILITIES UNLESS OTHERWISE SPECIFIED.
- A FOUR INCH (4") TOP DRESSING/MULCHING OF 2" - 3" WASHED GRANITE ROCK MULCH SHALL BE PLACED IN ALL PLANT BEDS AND AROUND ALL TREES. SINGLE TREES OR SHRUBS SHALL HAVE TOP DRESSING TO THE OUTSIDE EDGE OF THE MANUFACTURED EDGING OR LANDSCAPE ISLAND. (SEE PLANTING DETAIL) TOP DRESSINGS CAN BE WOOD MULCH, ROCK, OR ANY OTHER DECORATIVE MATERIAL SPECIFIED ON PLANS. SEE LANDSCAPE PLAN FOR TYPE.
- THE FOLLOWING PLANTING SEASONS ARE RECOMMENDED:
EVERGREEN SHRUBBERY OCT-APR
DECIDUOUS SHRUBBERY & TREES OCT-APR
EVERGREEN TREES OCT-APR

PLANT GUARANTEE, REPLACEMENT AND MAINTENANCE

- GUARANTEE: ACCEPTANCE OF GRADING AND SEEDING SHALL BE BY LANDSCAPE ARCHITECT AND/OR OWNER. THE CONTRACTOR SHALL ASSUME MAINTENANCE RESPONSIBILITIES UNTIL FINAL ACCEPTANCE. MAINTENANCE SHALL INCLUDE WATERING, WEEDING, RESEEDING AND OTHER OPERATIONS NECESSARY TO KEEP ALL LAWN AREAS IN A THRIVING CONDITION. UPON FINAL ACCEPTANCE, OWNER SHALL ASSUME ALL MAINTENANCE RESPONSIBILITIES. AFTER LAWN AREAS HAVE GERMINATED, AREAS WHICH FAIL TO SHOW A UNIFORM STAND OF GRASS FOR ANY REASON WHATSOEVER SHALL BE RE-SEEDED REPEATEDLY UNTIL ALL AREAS ARE COVERED WITH A SATISFACTORY STAND OF GRASS. MINIMUM ACCEPTANCE OF SEEDED LAWN AREAS MAY INCLUDE SCATTERED BARE SPOTS, NONE OF WHICH ARE LARGER THAN 1 SQUARE FOOT, AND WHEN COMBINED DO NOT EXCEED 2% OF TOTAL SEEDED LAWN AREA.
- REPLACEMENT: ANY PLANT UNDER THIS SPEC WHICH IS DEAD, MISSING, UNHEALTHY, OR OTHERWISE NOT ACCEPTABLE AND NOT IN SATISFACTORY GROWING CONDITION DURING CONSTRUCTION MAINTENANCE PERIOD, OR AT THE END OF THE GUARANTEE PERIOD, SHALL BE REMOVED FROM SITE AND REPLACED WITH SUITABLE, ACCEPTABLE PLANT AS SPECIFIED, WITHIN FIVE (5) DAYS.
- MAINTENANCE: GENERAL CONTRACTOR SHALL PROVIDE ONE YEAR OF LANDSCAPE MAINTENANCE, FROM THE TIME THE PROJECT RECEIVES THE CERTIFICATE OF OCCUPANCY AND THERE AFTER, FOR ALL NEW LANDSCAPE. IF EXISTING LANDSCAPE EXISTS ON-SITE, GENERAL CONTRACTOR IS TO PROVIDE THE OPTION OF MAINTENANCE FOR THE OWNER'S REVIEW.

HERBICIDES NOTES

- APPLICATION OF HERBICIDES SHALL BE IN COMPLIANCE WITH STATE PESTICIDES REGULATIONS. IT IS THE RESPONSIBILITY OF THE LANDSCAPE CONTRACTOR TO CONSULT WITH THE REGULATORY AGENCIES FOR LOCAL HERBICIDES APPLICATION REQUIREMENTS.
- IF THERE IS A DISCREPANCY BETWEEN STATE REGULATIONS AND ADDITIONAL REQUIREMENTS BELOW, MOST STRINGENT SHALL RULE.
- NO AERIAL APPLICATION OF HERBICIDES IS PERMITTED ON SITE.
- CARCINOGENS AND EPA TOXIC CATEGORY I AND II ARE PROHIBITED TO USE ON SITE.



CEI ENGINEERING ASSOCIATES, INC.
710 W. PINEDALE AVE.
FRESNO, CA 93711
PHONE: (559) 447-3119
FAX: (559) 447-3129



CLIENT
3K1 CONSULTING SERVICES, LLC.
11811 N. TATUM BOULEVARD,
PHOENIX, ARIZONA 85028
PHONE: (602) 850-8101



PLANS PREPARED FOR
QUICK N CLEAN
7291 E. ADOBE DRIVE, SUITE 115
SCOTTSDALE, AZ 85255
PHONE: (480) 707-3531

REVISION

NO.	DESCRIPTION	DATE

QUICK N CLEAN
9572 TWENTY MILE ROAD
PARKER, COLORADO



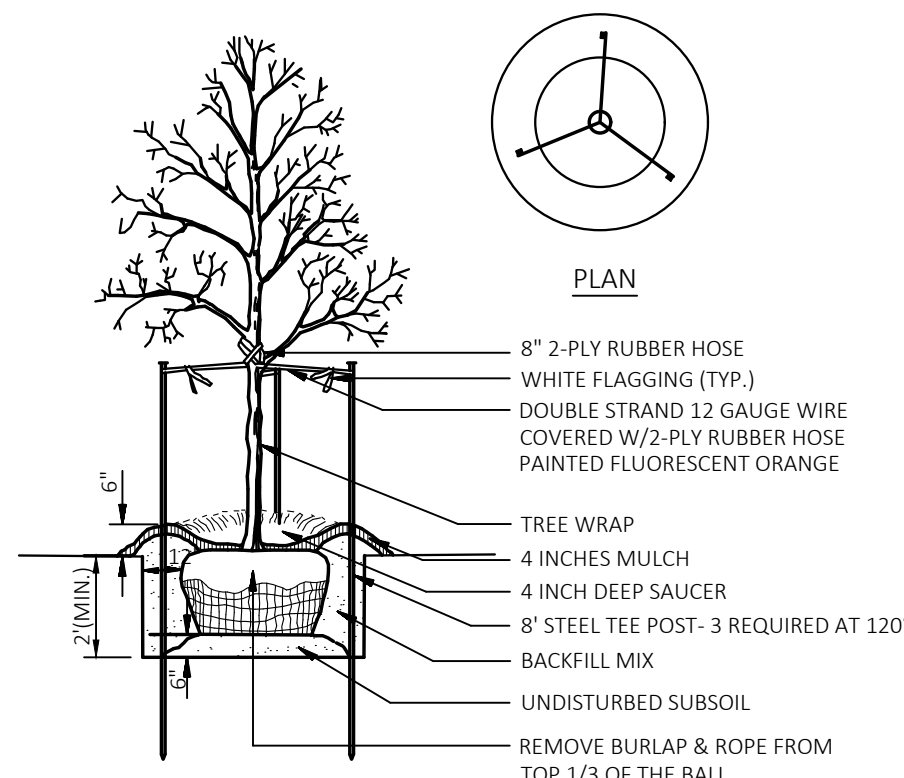
PROFESSIONAL OF RECORD	TAB
PROJECT MANAGER	ASD
DESIGNER	RM
CEI PROJECT NUMBER	31672
DATE	7/8/2022
REVISION	REV-4

LANDSCAPE NOTES

SHEET TITLE
SHEET NUMBER

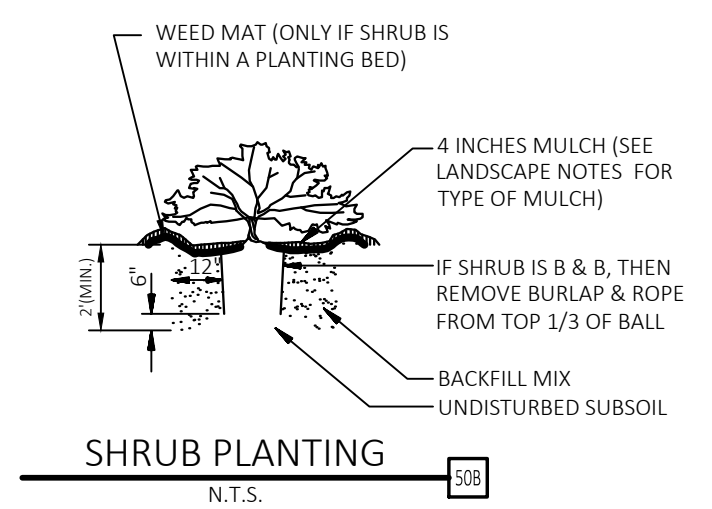
L2

DRAWING LOCATION: P:\316000\31672\DRAWINGS\DESIGN\WORKING\31672-LP.DWG. SAVED BY: MPARKS

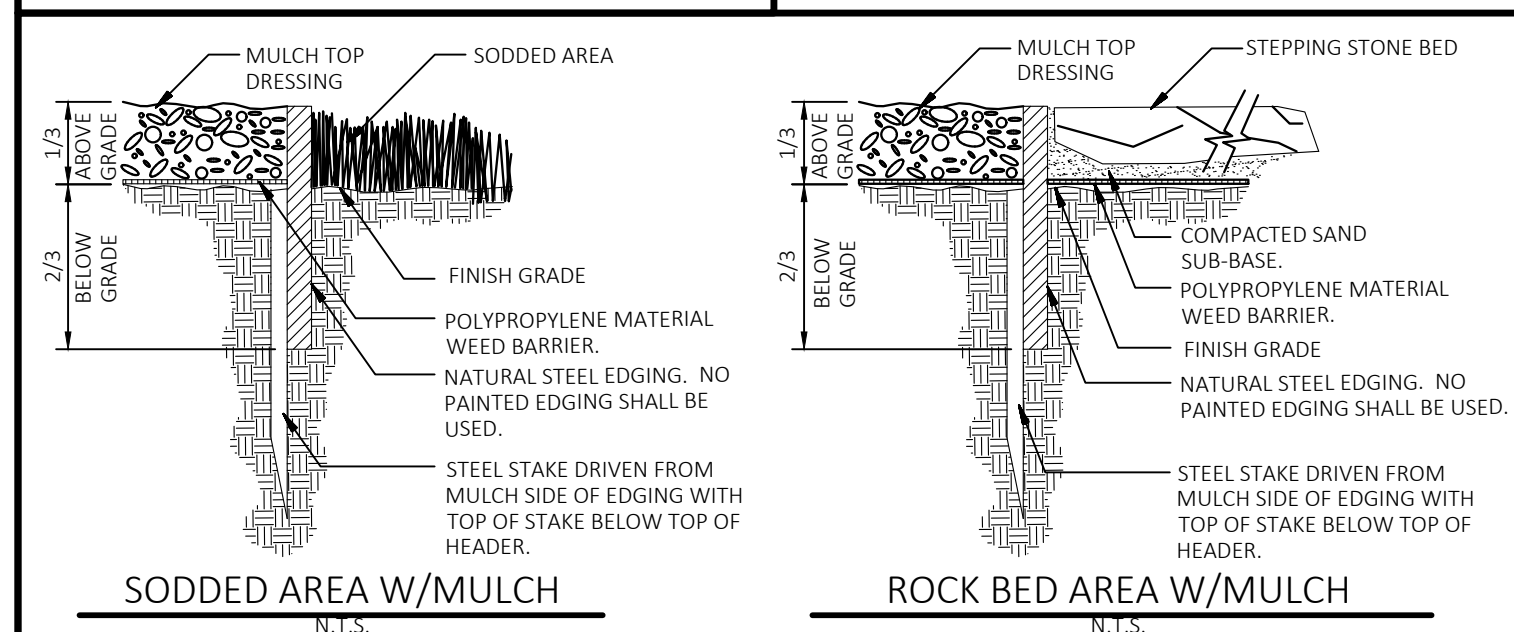


NOTE: SEE LANDSCAPE NOTES FOR THE TYPE OF MULCH MATERIAL TO USE.

TREE PLANTING
N.T.S.



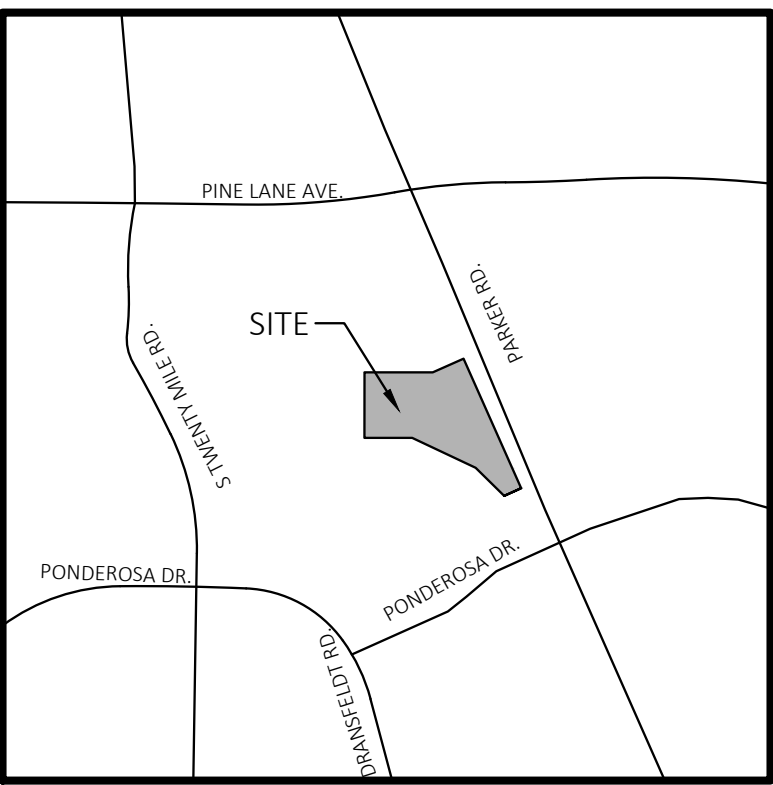
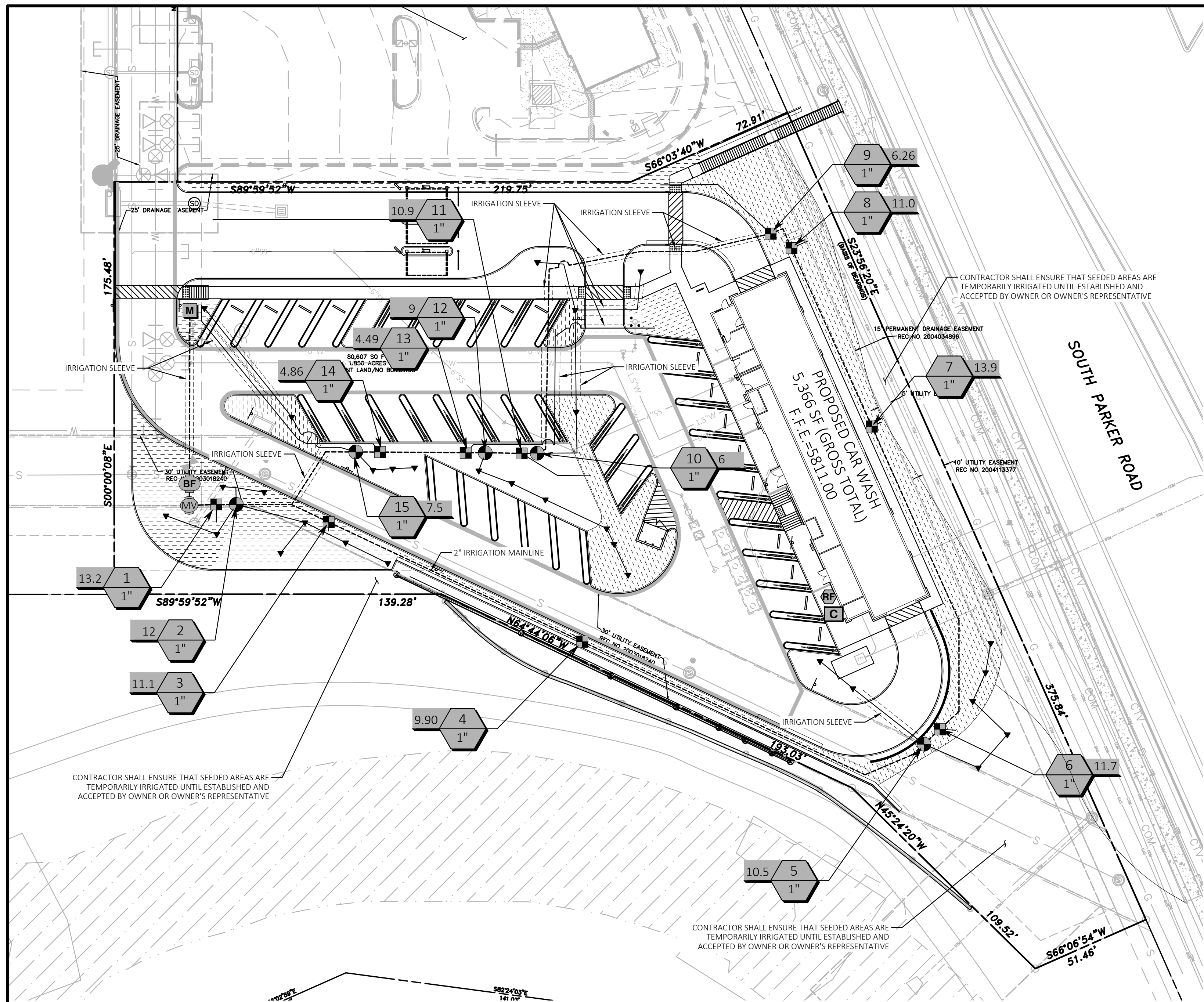
SHRUB PLANTING
N.T.S.



SODDED AREA W/MULCH
N.T.S.

ROCK BED AREA W/MULCH
N.T.S.

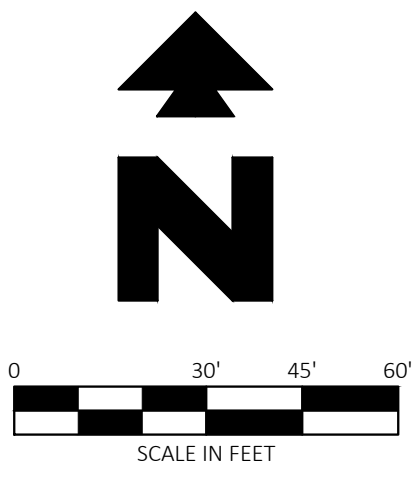
STEEL EDGING
N.T.S.



Vicinity Map
Not to Scale



Know what's below.
Call before you dig.

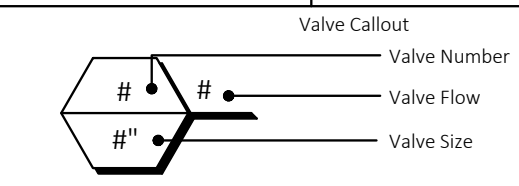


PROPOSED LEGEND

---	BOUNDARY LINE/RIGHT OF WAY LINE
----	STORM DRAIN

IRRIGATION SCHEDULE

SYMBOL	MANUFACTURER/MODEL/DESCRIPTION	QTY	PSI	DETAIL
▼	RAIN BIRD RWS ROOT WATERING SYSTEM WITH (3) RAIN BIRD MODEL RWS-B-C 1402 ROOT WATERING BUBBLERS PER TREE ARRANGED IN A TRIANGULAR PATTERN AROUND THE ROOT BALL. INDATLL PER MANUFACTURES SPECS	30	30	
■	RAIN BIRD XC2-100-PRB-COM 1" WIDE FLOW DRIP CONTROL KIT FOR COMMERCIAL APPLICATIONS. 1" BALL VALVE WITH 1" PRESS VALVE AND 1" PRESSURE REGULATING 40PSI QUICK-CHECK BASKET FILTER. 0.3GPM TO 20GPM.	10		
▨	AREA TO RECEIVE DRIPLINE RAIN BIRD XF5-CV-09-18 975-CV ON-SURFACE LANDSCAPE DRIPLINE WITH A HEAVY-DUTY 4.3 PSI CHECK VALVE. 0.9 GPH EMITTERS AT 18" O.C. DRIPLINE LATERALS SPACED AT 18" APART, WITH EMITTERS OFFSET FOR TRIANGULAR PATTERN. SPECIFY XF INSERT FITTINGS.	9,062 L.F.		
●	RAIN BIRD PESB-PRS-D 1" 1-1/2", 2" PLASTIC INDUSTRIAL VALVES. LOW FLOW OPERATING CAPABILITY, GLOBE CONFIGURATION, WITH PRESSURE REGULATING MODULE, AND SCRUBBER TECHNOLOGY FOR RELIABLE PERFORMANCE IN DIRTY WATER IRRIGATION APPLICATIONS.	5		
X	SHUT OFF VALVE	1		
MV	RAIN BIRD PESB-PRS-D 1" 1-1/2", 2" PLASTIC INDUSTRIAL VALVES. LOW FLOW OPERATING CAPABILITY, GLOBE CONFIGURATION, WITH PRESSURE REGULATING MODULE, AND SCRUBBER TECHNOLOGY FOR RELIABLE PERFORMANCE IN DIRTY WATER IRRIGATION APPLICATIONS.	1		
BF	ZURN 975XL 1" REDUCED PRESSURE BACKFLOW DEVICE	1		
C	RAIN BIRD ESPLXME2-LXMM W/ (1) ESPLXMSM12 24 STATION, TRADITIONALLY WIRED, COMMERCIAL CONTROLLER. (1) ESPLXME2 12-STATION, INDOOR/OUTDOOR, PLASTIC WALL-MOUNT ENCLOSURE W/ (1) ESPLXMSM12 - 12-STATION EXPANSION MODULES. INSTALL IN LXMM POWDER COATED, METAL WALL-MOUNTED CABINET.	1		
RF	RAIN BIRD WR2-RFS WIRELESS RAIN/FREEZE SENSOR.	1		
M	WATER METER 3/4"	1		
---	IRRIGATION LATERAL LINE: PVC CLASS 200 SDR 21 1/2"	748.5 L.F.		
---	IRRIGATION LATERAL LINE: PVC CLASS 200 SDR 21 3/4"	207.9 L.F.		
---	IRRIGATION LATERAL LINE: PVC CLASS 200 SDR 21 1"	62.4 L.F.		
---	IRRIGATION MAINLINE: PVC SCHEDULE 40 2"	965.3 L.F.		
---	PIPE SLEEVE: PVC SCHEDULE 40	368.9 L.F.		



CRITICAL ANALYSIS

Generated: 2022-12-08 12:43

P.O.C. NUMBER: 01
Water Source Information:

FLOW AVAILABLE	
Water Meter Size:	3/4"
Flow Available:	16.64 GPM

PRESSURE AVAILABLE	
Static Pressure at POC:	65 PSI
Elevation Change:	0.00 ft
Service Line Size:	3/4"
Length of Service Line:	10 ft
Pressure Available:	63 PSI

DESIGN ANALYSIS	
Maximum Station Flow:	13.91 GPM
Flow Available at POC:	16.64 GPM
Residual Flow Available:	2.74 GPM

Critical Station:	7
Design Pressure:	30 PSI
Friction Loss:	0.11 PSI
Fittings Loss:	0.01 PSI
Elevation Loss:	0 PSI
Loss through Valve:	11.75 PSI
Pressure Req. at Critical Station:	41.87 PSI
Loss for Fittings:	0.04 PSI
Loss for Main Line:	0.42 PSI
Loss for POC to Valve Elevation:	0 PSI
Loss for Backflow:	11.8 PSI
Loss for Master Valve:	2.23 PSI
Loss for Water Meter:	3.1 PSI
Critical Station Pressure at POC:	59.46 PSI
Pressure Available:	63 PSI
Residual Pressure Available:	3.54 PSI

GENERAL IRRIGATION NOTES

- THE CONTRACTOR IS RESPONSIBLE FOR OBTAINING A COPY OF THE PROJECT SPECIFICATIONS PRIOR TO BIDDING. THE PROJECT SPECIFICATIONS ARE A PART OF THESE PLANS AND SHALL BE CONSULTED BY THE IRRIGATION CONTRACTOR. THE CONTRACTOR IS RESPONSIBLE FOR IMPLEMENTING WORK AS SPECIFIED IN THE PROJECT SPECIFICATIONS AND ON THE PLANS.
- CONTRACTOR SHALL VERIFY ALL DIMENSIONS, ELEVATIONS, EQUIPMENT QUANTITIES, AND UTILITY LOCATIONS PRIOR TO BEGINNING WORK.
- CONTRACTOR SHALL NOTIFY LANDSCAPE ARCHITECT OR LICENSED IRRIGATOR OF ANY DISCREPANCIES IN PLANS OR SPECIFICATIONS PRIOR TO BEGINNING OR CONTINUING WORK.
- THE CONTRACTOR SHALL MAKE NO SUBSTITUTIONS, DELETIONS, OR ADDITIONS TO THIS PLAN WITHOUT APPROVAL OF THE LANDSCAPE ARCHITECT OR LICENSED IRRIGATOR.
- ALL CONSTRUCTION SHALL CONFORM TO CITY, COUNTY, STATE, AND FEDERAL REQUIREMENTS. IT SHALL BE THE RESPONSIBILITY OF THE IRRIGATION CONTRACTOR TO ENSURE THAT ALL IRRIGATION EQUIPMENT MEETS GOVERNMENT REGULATIONS. CONTRACTOR SHALL ALSO BE RESPONSIBLE FOR OBTAINING ANY NECESSARY PERMITS OR APPROVALS.
- CONTRACTOR IS TO VERIFY ACTUAL AVAILABLE WATER PRESSURE BEFORE BEGINNING INSTALLATION. CONTRACTOR SHALL NOTIFY LANDSCAPE ARCHITECT OR LICENSED IRRIGATOR IF AVAILABLE WATER PRESSURE EXCEEDS 5 PSI HIGHER OR LOWER THAN THE DESIGN WATER PRESSURE OF 63 PSI.
- IRRIGATION SYSTEMS CONNECTED TO POTABLE WATER SUPPLY, SHALL HAVE A BACKFLOW PREVENTER INSTALLED PER LOCAL REQUIREMENTS.
- ANY EXISTING TREES TO REMAIN ARE TO BE PROTECTED FROM DAMAGE. DO NOT TRENCH OR EXCAVATE WITHIN THE CRITICAL ROOT ZONE OF ANY TREE.
- SUPPLY LINE AND METER TO BE PROVIDED BY GENERAL CONTRACTOR. BACKFLOW PREVENTER TO BE PROVIDED BY IRRIGATION CONTRACTOR. IRRIGATION CONTRACTOR'S POINT OF CONNECTION TO BEGIN AFTER THE IRRIGATION WATER METER.
- IRRIGATION CONTRACTOR SHALL REVIEW WINTERIZATION PROCEDURES FOR IRRIGATION SYSTEM WITH OWNERS REPRESENTATIVE.
- IRRIGATION CONTRACTOR IS RESPONSIBLE FOR INSTALLING MANUAL DRAIN VALVES AT LOWEST POSSIBLE ELEVATION ON IRRIGATION MAIN SO AS TO PROVIDE POSITIVE DRAINAGE OF IRRIGATION MAIN DURING WINTER MONTHS, OR PROVIDE BLOWOUT ASSEMBLY.
- ALL LATERAL LINES SHALL BE EQUIPPED WITH AUTOMATIC DRAIN VALVES AT LOW POINTS.
- IRRIGATION CONTRACTOR SHALL COORDINATE CONTROLLER LOCATION WITH GENERAL CONTRACTOR. GENERAL CONTRACTOR SHALL PROVIDE (2) 1" ELECTRICAL CONDUITS FOR IRRIGATION CONTRACTOR'S POWER/DATA CONNECTION TO CONTROLLER. SEE ARCHITECTURAL ELECTRICAL PLAN FOR ELECTRICAL CONNECTION TO THE IRRIGATION CONTROLLER. IRRIGATION CONTRACTOR SHALL COORDINATE CONSTRUCTION OF IRRIGATION SYSTEM WITH GENERAL CONTRACTOR AND LANDSCAPE CONTRACTOR PRIOR TO COMMENCEMENT OF CONSTRUCTION.
- THE CONTRACTOR IS SPECIFICALLY CAUTIONED THAT THE LOCATION AND/OR ELEVATION OF EXISTING UTILITIES AS SHOWN ON THESE PLANS IS BASED ON RECORDS OF THE VARIOUS UTILITY COMPANIES, AND WHERE POSSIBLE, MEASUREMENTS TAKEN IN THE FIELD. THE INFORMATION IS NOT TO BE RELIED ON AS BEING EXACT OR COMPLETE. THE CONTRACTOR MUST CALL THE APPROPRIATE UTILITY COMPANIES AT LEAST 72 HOURS BEFORE ANY EXCAVATION TO REQUEST EXACT FIELD LOCATION OF UTILITIES. IT SHALL BE THE RESPONSIBILITY OF THE CONTRACTOR TO RELOCATE ALL EXISTING UTILITIES WHICH CONFLICT WITH THE PROPOSED IMPROVEMENTS SHOWN ON THE PLANS.
- ALL BELOW GRADE LOW VOLTAGE WIRING CONNECTIONS SHALL BE INSTALLED PER WIRE CONNECTION DETAIL.
- DO NOT INSTALL IRRIGATION AT PYLON / MONUMENT SIGN LOCATION UNTIL SIGN HAS BEEN INSTALLED.
- LOCATION FOR IRRIGATION SYSTEM AS SHOWN IS FOR DRAWING PURPOSES ONLY. UNSLEEVED PIPES MAY BE SHOWN IN PAVEMENT AREAS FOR CLARITY ONLY. INSTALL THESE PIPES IN ADJACENT LANDSCAPE AREAS WHERE NECESSARY. CONTRACTOR SHALL VERIFY THE EXACT LOCATION IN FIELD PRIOR TO THE COMMENCEMENT OF CONSTRUCTION OF PROPOSED IRRIGATION SYSTEM. ALL PROPOSED IRRIGATION LINES AND EQUIPMENT SHALL BE INSTALLED WITHIN THE BOUNDARIES OF THE PROJECT SITE. CONTRACTOR SHALL NOTIFY LANDSCAPE ARCHITECT OR LICENSED IRRIGATOR IF THE DESIGN AS SHOWN IS NOT ACHIEVABLE.
- MINIMUM COVER FROM TOP OF PIPING TO FINISHED GRADE SHALL BE AS PER DETAIL 64A.
- IRRIGATION CONTRACTOR SHALL COORDINATE IRRIGATION INSTALLATION WITH PLANTING PLAN AND SITE CONDITIONS TO PROVIDE COMPLETE COVERAGE WITH MINIMUM OVERSPRAY. THE IRRIGATION CONTRACTOR SHALL MAKE MINOR ADJUSTMENTS TO ENSURE PROPER COVERAGE AT NO ADDITIONAL COST TO THE OWNER.
- VALVE BOXES SHALL BE INSTALLED FLUSH WITH GRADE, SUPPORTED BY BRICKS IF NEEDED, WITH 3" OF CLEAN PEA GRAVEL LOCATED BELOW THE VALVE.
- ALL MAIN LINE PIPING, NON-PRESSURE PIPING AND CONTROL WIRE SLEEVING SHALL BE INSTALLED IN SEPARATE SLEEVES. ALL LATERAL LINE PIPING UNDER PAVING SHALL BE PVC SCHEDULE 40 AND SHALL BE INSTALLED PRIOR TO ANY HARDSCAPE MATERIAL. IRRIGATION CONTRACTOR TO PROVIDE SLEEVES BETWEEN 12" AND 15" BELOW GRADE AT ALL DRIVE ENTRANCES AND SIDEWALKS. MAINLINE SLEEVE SIZE SHALL BE A MINIMUM OF TWICE (2X) THE DIAMETER OF THE PIPE TO BE SLEEVED. CONTROL WIRE SLEEVES SHALL BE OF SUFFICIENT SIZE FOR THE REQUIRED NUMBER OF WIRES.
- IT IS THE RESPONSIBILITY OF THE IRRIGATION CONTRACTOR TO FAMILIARIZE HIMSELF WITH ALL GRADE DIFFERENCES, LOCATION OF FENCES, RETAINING WALLS, AND UTILITIES. THE IRRIGATION CONTRACTOR SHALL REPAIR OR REPLACE ALL ITEMS DAMAGED BY HIS WORK. HE SHALL COORDINATE HIS WORK WITH OTHER CONTRACTORS FOR THE LOCATION AND INSTALLATION OF PIPE SLEEVES AND LATERALS THROUGH WALLS, UNDER ROADWAYS AND PAVING AND TIMING, ETC. REFER TO CIVIL ENGINEERING PLANS FOR GRADING, METHODS OF DRAINAGE, IRRIGATION METERS, AND BACKFLOW PREVENTION DEVICE LOCATION.
- ALL IRRIGATION EQUIPMENT NOT OTHERWISE DETAILED OR SPECIFIED, SHALL BE INSTALLED AS PER MANUFACTURER'S RECOMMENDATIONS, DETAILS AND SPECIFICATIONS. ACCEPTABLE MANUFACTURERS INCLUDE RAINBIRD, HUNTER, TORO, OR NETAFIM.
- ANY DRIP SYSTEM PIPING IN PLANTING BEDS IS DIAGRAMMATIC. CONTRACTOR CAN ROUTE PIPING IN A FREEFORM MANNER (AVOIDING OBJECTS SUCH AS LIGHT POLES, TRANSFORMERS PADS, EQUIPMENT VAULTS, SUBSURFACE ROCK TOO LARGE TO REMOVE, ETC...) AS LONG AS ALL PLANT MATERIAL RECEIVES THE PROPER NUMBER OF EMITTERS PER SCHEDULE AND THE VINYL DISTRIBUTION TUBING DOES NOT EXCEED THE MAXIMUM DESIGN LENGTHS PER MANUFACTURER'S RECOMMENDATIONS.
- UNLESS OTHERWISE REQUIRED, BACKFLOW PREVENTION DEVICES LESS THAN 2" SHALL BE PLACED IN A WIRE MESH BASKET ENCLOSURE AND PAINTED TO MATCH THE PRIMARY BUILDING COLORS. SEE CIVIL PLANS FOR LOCATION.
- ALL JOINTS AND BENDS 2" OR LARGER SHALL HAVE CONCRETE THRUST BLOCKING. THRUST BLOCKING SHALL BE A MINIMUM OF 1 CUBIC FOOT OF CONCRETE. PIPE SHALL NOT BE ENCASED IN CONCRETE. SEE DETAIL 31C FOR THRUST BLOCKING.
- CONTRACTOR WILL PROVIDE OWNER WITH A COMPLETE AND REPRODUCIBLE DRAWING OR IRRIGATION SYSTEM LAYOUT AS IT WAS INSTALLED. DRAWING SHOULD INCLUDE, BUT NOT BE LIMITED TO, LOCATIONS OF ZONES VALVES, MAIN, LATERAL AND DISTRIBUTION LINES, SLEEVES, WATER METER, BACKFLOW PREVENTION DEVICES, SENSORS AND CONTROLLER.
- ALL LATERAL LINE SIZING SHALL REFER TO PIPE SCHEDULE ON THIS PLAN.



CEI ENGINEERING ASSOCIATES, INC.
710 W. PINEDALE AVE.
FRESNO, CA 93711
PHONE: (559) 447-3119
FAX: (559) 447-3129



CLIENT:
3K1 CONSULTING SERVICES, LLC.
11811 N. TATUM BOULEVARD,
PHOENIX, ARIZONA 85028
PHONE: (602) 850-8101



PLANS PREPARED FOR
QUICK N CLEAN
7291 E. ADOBE DRIVE, SUITE 115
SCOTTSDALE, AZ 85255
PHONE: (480) 707-3531

REVISION

NO.	DESCRIPTION	DATE

QUICK N CLEAN
9572 TWENTY MILE ROAD
PARKER, COLORADO



12/8/2022

PROFESSIONAL OF RECORD	TAB
PROJECT MANAGER	ASD
DESIGNER	RM
CEI PROJECT NUMBER	31672
DATE	12/5/2022
REVISION	REV-5

IRRIGATION PLAN
SHEET TITLE
SHEET NUMBER

L3

DRAWING LOCATION - P:\31672\31672\DRAWINGS\DESIGN\WORKING\31672-5.DWG. SAVED BY: JACALDERON