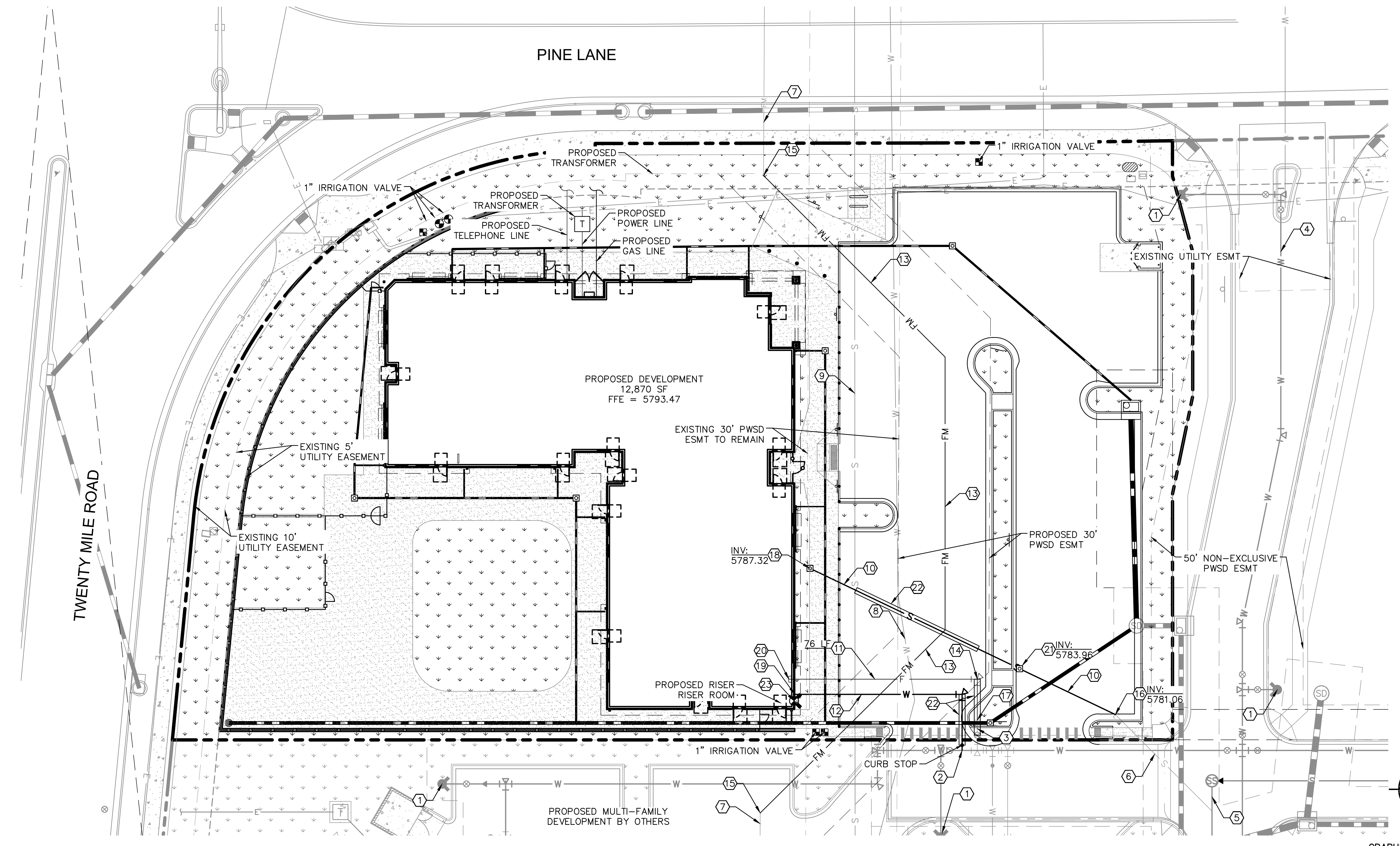


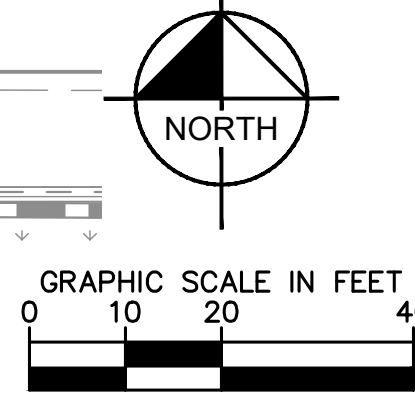
K:\DEN_Civil\096895001 - Lot 6 Parker & Pine CADD\PlanSheets\096895001UT_UT.dwg - Newstcom, Max
 THIS DOCUMENT, TOGETHER WITH THE CONCEPTS AND DESIGNS PRESENTED HEREIN, IS AN INSTRUMENT OF SERVICE PREPARED ONLY FOR THE SPECIFIC PURPOSE AND CLIENT FOR WHICH IT WAS PREPARED. RELEASE OF AND IMPROPER RELIANCE ON THIS DOCUMENT WITHOUT WRITTEN AUTHORIZATION AND ADAPTATION BY KIMLEY-HORN AND ASSOCIATES, INC. SHALL BE WITHOUT LIABILITY TO KIMLEY-HORN AND ASSOCIATES, INC.



UTILITY LEGEND

	EXISTING PROPERTY LINE
	EXISTING EASEMENT
	PROPOSED EASEMENT
	PROPOSED SANITARY SEWER LINE
	PROPOSED WATER LINE
	PROPOSED STORM DRAINAGE LINE
	EXISTING STORM DRAINAGE LINE
	EXISTING GAS LINE
	EXISTING WATER LINE
	EXISTING SANITARY SEWER LINE
	EXISTING ELECTRIC LINE
	PROPOSED FIRE HYDRANT W/ BOLLARDS
	PROPOSED WATER VALVE
	PROPOSED TEE / BEND
	EXISTING SANITARY SEWER MANHOLE
	FDC

- SITE KEYNOTES**
- ① EXISTING FIRE HYDRANT
 - ② CONNECT DOMESTIC WATER TO EXISTING 8" WATER MAIN
 - ③ EXISTING 6" STUB W/TEMP BLOW-OFF
 - ④ EXISTING 8" WATER MAIN
 - ⑤ EXISTING 8" SEWER MAIN
 - ⑥ EXISTING 6" SEWER STUB
 - ⑦ EXISTING 8" EFFLUENT FORCE MAIN
 - ⑧ EXISTING 20" DIP WATER MAIN
 - ⑨ EXISTING 27" ACP SANITARY SEWER MAIN
 - ⑩ PROPOSED 6" PVC SANITARY SEWER LINE
 - ⑪ PROPOSED 6" DIP FIRE LINE
 - ⑫ PROPOSED 1.5" PVC DOMESTIC WATER SERVICE
 - ⑬ PROPOSED 8" C900 PVC EFFLUENT FORCE MAIN UNDER SEPARATE PERMIT
 - ⑭ PROPOSED 6" DIP 45 DEGREE BEND WITH HORIZONTAL THRUST BLOCK
 - ⑮ CONNECT TO EXISTING 8" PVC FORCE MAIN WITH 8" DIP 45 DEGREE BEND WITH HORIZONTAL THRUST BLOCK UNDER SEPARATE PERMIT
 - ⑯ CONNECT TO EXISTING SANITARY SEWER STUB/CLEANOUT.
 - ⑰ CONNECT TO EXISTING WATER STUB
 - ⑱ PROPOSED 6" SANITARY SEWER BUILDING POINT OF CONNECTION.
 - ⑲ PROPOSED 1.5" DOMESTIC WATER SERVICE BUILDING POINT OF CONNECTION.
 - ⑳ PROPOSED 6" FIRE SERVICE BUILDING POINT OF CONNECTION.
 - ㉑ PROPOSED SANITARY SEWER CLEANOUT.
 - ㉒ PROPOSED CONCRETE CASING. SEE SHEET C7.6 FOR DETAIL.
 - ㉓ PROPOSED FIRE DEPARTMENT CONNECTION



THE TOWN OF PARKER REVIEW CONSTITUTES GENERAL COMPLIANCE WITH THE TOWN'S STANDARDS AND APPROVED VARIANCES, SUBJECT TO THESE PLANS BEING STAMPED, SIGNED, AND DATED BY THE PROFESSIONAL ENGINEER OF RECORD. REVIEW BY THE TOWN DOES NOT CONSTITUTE APPROVAL OF THE PLAN DESIGN OR ACCURACY AND CORRECTNESS OF ENGINEERING CALCULATIONS. ERRORS IN THE DESIGN OR CALCULATIONS REMAIN THE RESPONSIBILITY OF REGISTERED PROFESSIONAL ENGINEER WHOSE STAMP AND SIGNATURE ARE AFFIXED TO THIS DOCUMENT.

THIS REVIEW DOES NOT CONSTITUTE APPROVAL OF ANY PRIVATE ON-SITE IMPROVEMENTS WHICH MAY BE SHOWN. CONSTRUCTION CANNOT COMMENCE UNTIL ALL REQUIRED DRAINAGE/TRAFFIC REPORT(S), FINAL DEVELOPMENT PLAN(S), SPECIAL REVIEW(S), GRADING PERMIT, AND/OR OTHER PERMITS ARE COMPLETE, APPROVED AND ON FILE WITH THE TOWN OF PARKER.

TOWN OF PARKER, DIRECTOR OF ENGINEERING _____ DATE _____

FIRE CODE REVIEW BLOCK

ALL FIRE HYDRANTS SHALL BE INSTALLED ACCORDING TO WATER UTILITY STANDARDS. THE NUMBER AND LOCATIONS OF THE FIRE HYDRANTS AS SHOWN ON THE OVERALL UTILITY PLAN ARE CORRECT AS SPECIFIED BY THE TOWN OF PARKER, COMMUNITY DEVELOPMENT DEPARTMENT.

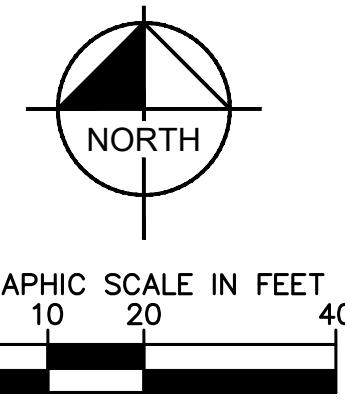
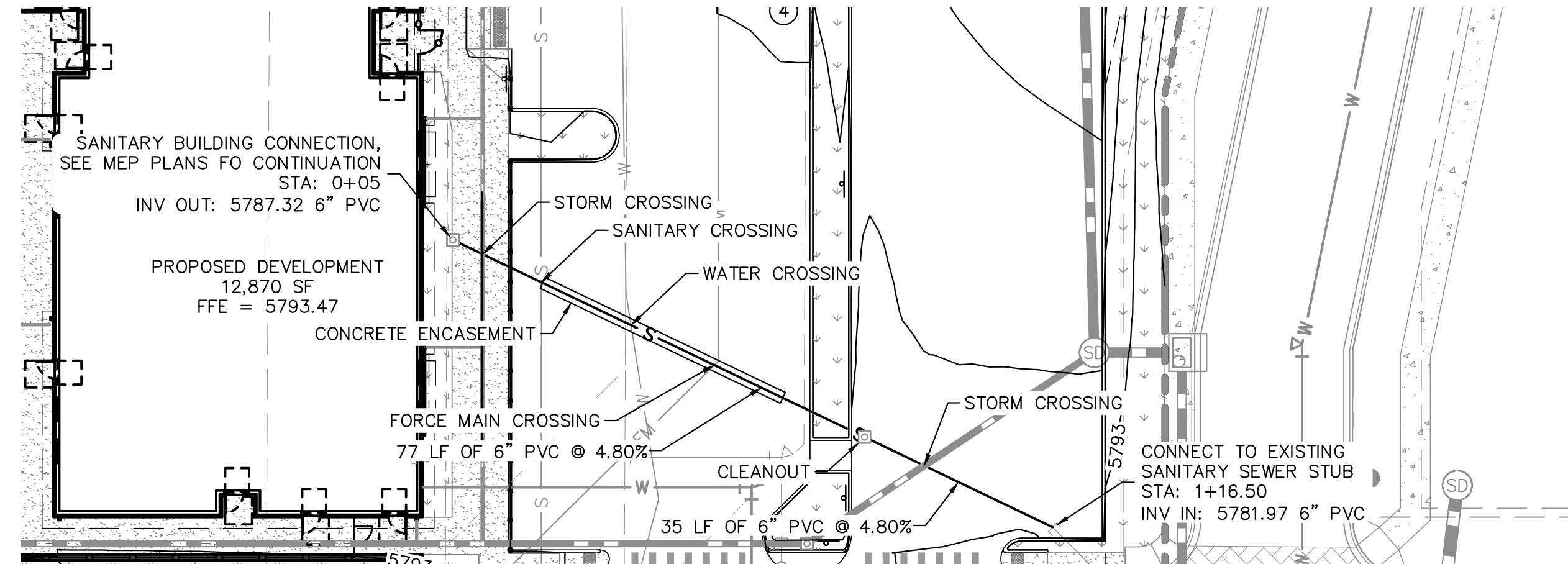
FIRE CODE OFFICIAL OR DESIGNATED REPRESENTATIVE _____ DATE _____

(NOTE - UNDERGROUND FIRE LINE (UFL) SUBMITTAL DOCUMENTS MUST MEET THE REQUIREMENTS OF NFPA 24 WHEN SUBMITTING FOR REVIEW)



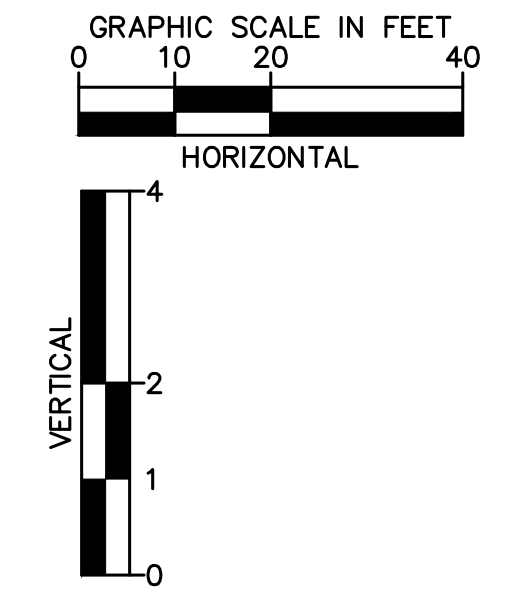
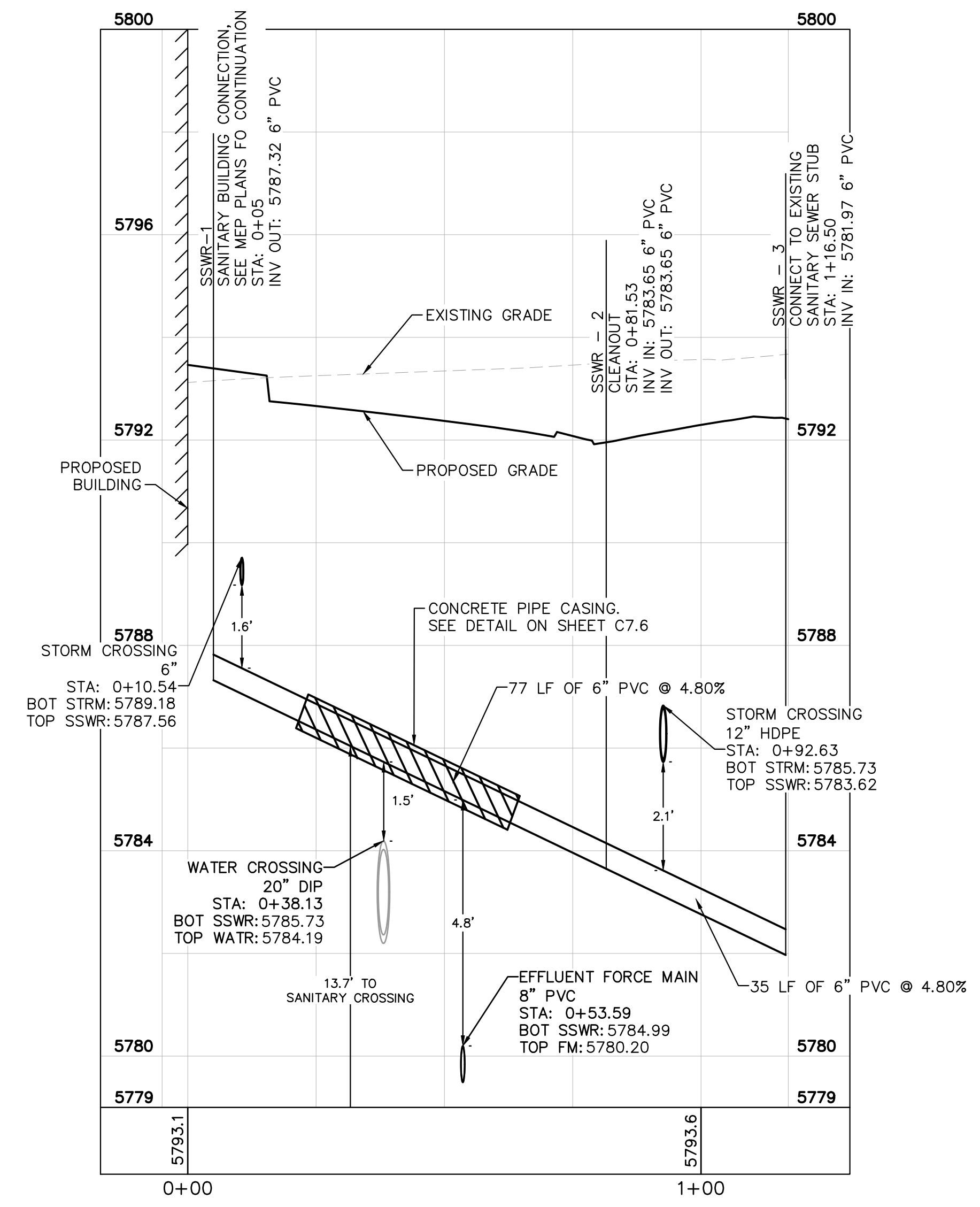
<h1 style="margin: 0;">Kimley»Horn</h1> <p style="font-size: 8px; margin: 0;">2021 KIMLEY-HORN AND ASSOCIATES, INC. 4582 South Smith Street, Suite 1500 Denver, Colorado 80237 (303) 728-2300</p>	<table border="1" style="width: 100%; border-collapse: collapse;"> <tr> <td style="width: 10px;">NO.</td> <td style="width: 10px;">REVISION</td> <td style="width: 10px;">BY</td> <td style="width: 10px;">DATE</td> <td style="width: 10px;">APPR</td> </tr> <tr> <td> </td> <td> </td> <td> </td> <td> </td> <td> </td> </tr> </table>	NO.	REVISION	BY	DATE	APPR					
NO.	REVISION	BY	DATE	APPR							
<p>DESIGNED BY: MCN DRAWN BY: NMH CHECKED BY: DLS DATE: 05/07/2021</p>											
<p>LOT 6 PARKER AND PINE FILING 1 PARKER, CO EVERBROOK ACADEMY CONSTRUCTION DOCUMENTS UTILITY PLAN</p>											
<p>PROJECT NO. 096895001</p> <p>DRAWING NAME 096895001UT_UT</p>											
<p>C7.2</p>											

K:\DEV_CAD\096895001 - Lot 6 Parker and Pine\096895001UT_SSWR.dwg, News from: Mr. [REDACTED]
 THIS DOCUMENT CONTAINS UNFINISHED CONCEPTS AND DESIGNS PREPARED HEREIN AS AN INSTRUMENT OF SERVICE FOR THE CLIENT ONLY. IT IS NOT TO BE USED FOR ANY OTHER PROJECT OR FOR ANY OTHER PURPOSE WITHOUT THE WRITTEN AUTHORIZATION AND ADAPTATION BY KIMLEY-HORN AND ASSOCIATES, INC. SHALL BE WITHOUT LIABILITY TO KIMLEY-HORN AND ASSOCIATES, INC.



UTILITY LEGEND	
	EXISTING PROPERTY LINE
	EXISTING EASEMENT
	PROPOSED EASEMENT
	FM PROPOSED SANITARY SEWER FORCE MAIN
	EXISTING STORM DRAINAGE LINE
	G EXISTING GAS LINE
	W EXISTING WATER LINE
	S EXISTING SANITARY SEWER LINE
	E EXISTING ELECTRIC LINE
	EXISTING SANITARY SEWER MANHOLE

NOTES:
 1. CONTRACTOR TO FIELD VERIFY SIZE, INVERT, AND LOCATION OF ALL EXISTING UTILITIES.



NO.	REVISION	BY	DATE	APPR

Kimley»Horn
 2021 KIMLEY-HORN AND ASSOCIATES, INC.
 4582 South Ulster Street, Suite 1500
 Denver, Colorado 80237 (303) 728-2300

DESIGNED BY: MCN
 DRAWN BY: NMH
 CHECKED BY: DLS
 DATE: 05/07/2021

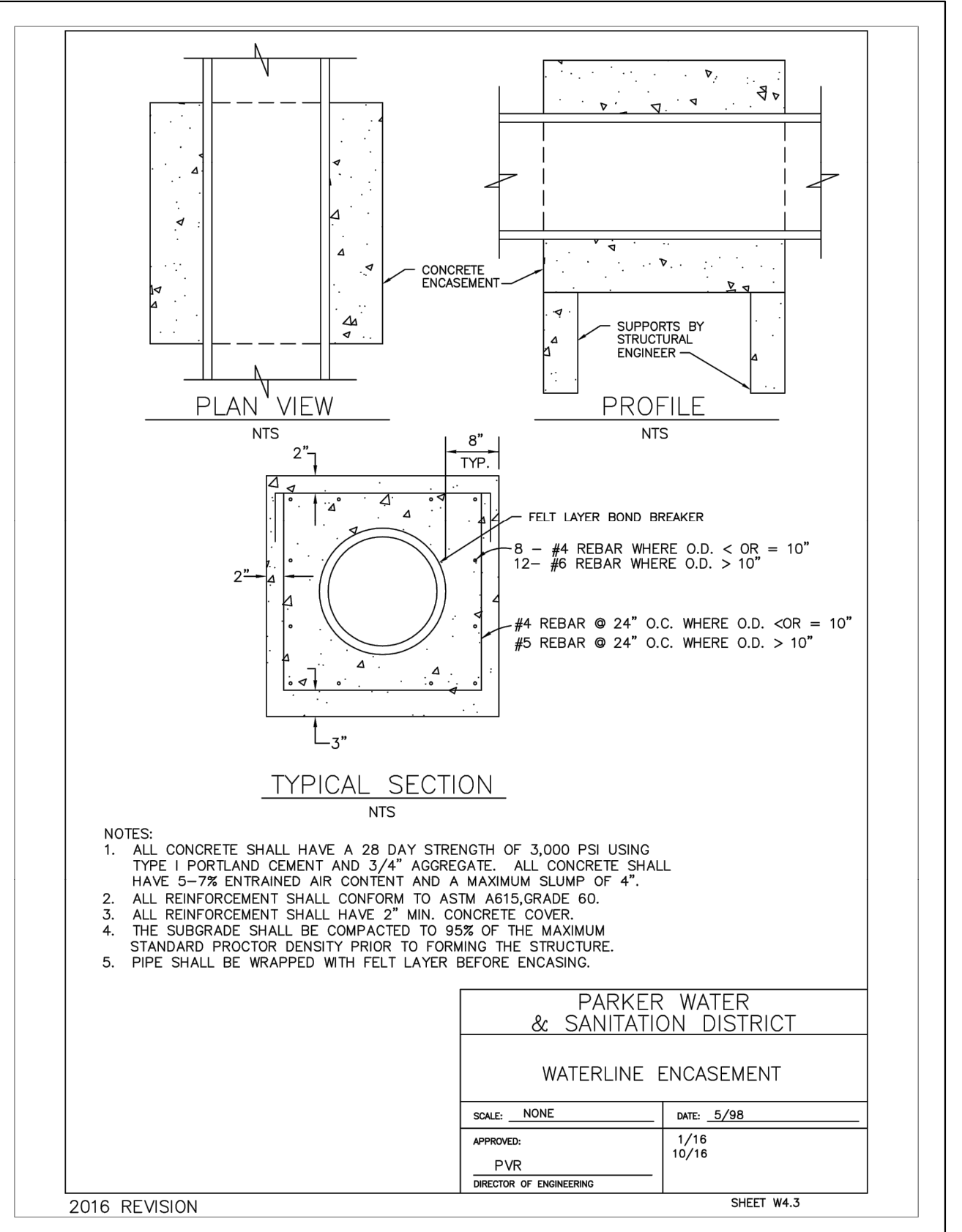
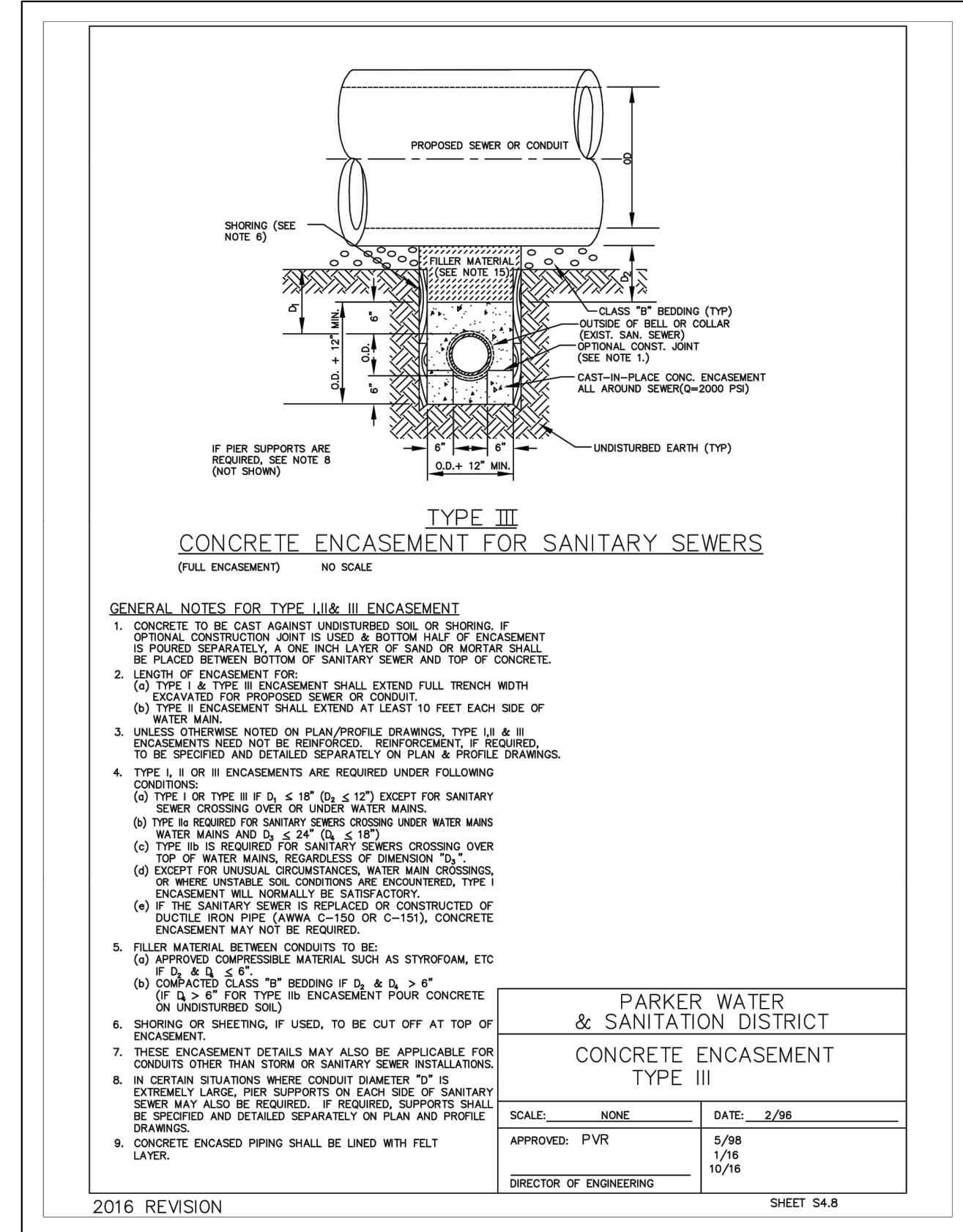
LOT 6 PARKER AND PINE FILING 1
 PARKER, CO
 EVERBROOK ACADEMY CONSTRUCTION DOCUMENTS
 SANITARY SEWER LINE PLAN AND PROFILE



PROJECT NO.
 096895001
 DRAWING NAME
 096895001UT_SSWR

C7.3

K:\DEV_CAD\096895001 - Lot 6 Parker & Sanitation Districts\096895001UT_DTLS.dwg - NewSheet - Max
 THIS DOCUMENT CONTAINS UNFINISHED CONCEPTS AND DESIGNS PRESENTED HEREIN AS AN INSTRUMENT OF SERVICE. IT IS INTENDED ONLY FOR THE USE OF THE CLIENT FOR THE PROJECT AND SHALL BE WITHOUT LIABILITY TO KIMLEY-HORN AND ASSOCIATES, INC.



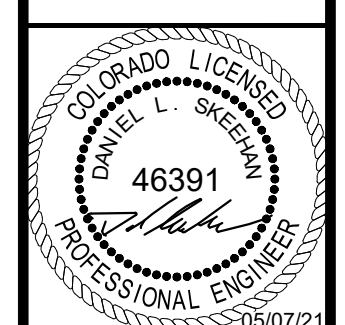
Add Encasement detail for Water

NO.	REVISION	BY	DATE	APPR

Kimley»Horn
 2021 KIMLEY-HORN AND ASSOCIATES, INC.
 4582 South Ulster Street, Suite 1500
 Denver, Colorado 80237 (303) 728-2300

DESIGNED BY: MCN
 DRAWN BY: NMH
 CHECKED BY: DLS
 DATE: 05/07/2021

LOT 6 PARKER AND PINE FILING 1
 PARKER, CO
 EVERBROOK ACADEMY CONSTRUCTION DOCUMENTS
 WATER & SANITARY SEWER DETAILS



PROJECT NO.
 096895001

DRAWING NAME
 096895001UT_DTLS

C7.6

