

CONSTRUCTION NOTES:

- 1. ALL MATERIALS AND CONSTRUCTION SHALL BE IN CONFORMANCE WITH THE LATEST EDITION OF THE COLORADO DEPARTMENT OF TRANSPORTATION STANDARD SPECIFICATIONS FOR ROAD AND BRIDGE CONSTRUCTION...
2. ALL MATERIALS AND WORKMANSHIP SHALL BE SUBJECT TO INSPECTION BY THE TOWN OF PARKER PUBLIC WORKS DEPARTMENT...
3. A PRECONSTRUCTION MEETING SHALL BE SCHEDULED A MINIMUM OF 48 HOURS AND A MAXIMUM OF 96 HOURS PRIOR TO THE START OF CONSTRUCTION...
4. THE TOWN INSPECTOR SHALL BE CONTACTED A MINIMUM OF 24 HOURS PRIOR TO A NECESSARY INSPECTION...
5. LOCATION OF EXISTING UTILITIES SHALL BE VERIFIED BY THE CONTRACTOR PRIOR TO ACTUAL CONSTRUCTION...
6. THE CONTRACTOR SHALL HAVE ONE (1) SIGNED COPY OF THE PLANS, APPROVED BY THE TOWN OF PARKER DIRECTOR OF ENGINEERING/PUBLIC WORKS...
7. A PLAN FOR TRAFFIC CONTROL DURING CONSTRUCTION SHALL BE SUBMITTED TO THE TOWN OF PARKER FOR ACCEPTANCE WITH THE RIGHT-OF-WAY USE PERMIT APPLICATION...
8. ALL TRENCHES SHALL BE ADEQUATELY SUPPORTED AND THE SAFETY OF WORKERS PROVIDED FOR AS REQUIRED BY THE MOST RECENT OCCUPATIONAL SAFETY AND HEALTH ADMINISTRATION (OSHA) "SAFETY AND HEALTH REGULATIONS FOR CONSTRUCTION..."
9. COMPACTION OF ALL TRENCHES MUST BE ATTAINED AND COMPACTION TEST RESULTS SUBMITTED TO THE DEVELOPMENT REVIEW ENGINEER IN PRELIMINARY FORM PRIOR TO PAVING AND IN FINAL FORM PRIOR TO PROBATIONARY ACCEPTANCE...
10. THE CONTRACTOR IS RESPONSIBLE FOR IMPLEMENTING AND MAINTAINING EROSION AND SEDIMENT CONTROL MEASURES AT ALL TIMES DURING CONSTRUCTION...
11. THE CONTRACTOR SHALL PROVIDE, ERECT AND MAINTAIN PROPER TRAFFIC CONTROL DEVICES UNTIL THE SITE IS OPEN TO TRAFFIC...
12. PLANS ARE APPROVED FOR PERIOD OF 1 (ONE) YEAR FROM THE DATE SHOWN ON THE TOWN OF PARKER SIGNATURE BLOCK...
13. REPAIR OF ANY DAMAGE TO EXISTING IMPROVEMENTS OR LANDSCAPING IS THE RESPONSIBILITY OF THE CONTRACTOR...
14. ALL DAMAGED EXISTING CURB, GUTTER, AND SIDEWALK SHALL BE REPAIRED PRIOR TO ACCEPTANCE OF COMPLETED IMPROVEMENTS...
15. ALL CONSTRUCTION ACTIVITIES MUST COMPLY WITH THE STATE OF COLORADO PERMITTING PROCESS FOR "STORMWATER DISCHARGES ASSOCIATED WITH CONSTRUCTION ACTIVITY..."
16. IF DEWATERING IS REQUIRED, A STATE CONSTRUCTION DEWATERING DISCHARGE PERMIT IS REQUIRED FOR DISCHARGES TO A STORM SEWER, CHANNEL, IRRIGATION DITCH, ANY STREET THAT IS TRIBUTARY TO THE AFOREMENTIONED FACILITIES...
17. ALL REFERENCES TO BOOKS, PAGES, MAPS, AND RECEPTION NUMBER ARE PUBLIC DOCUMENTS ON FILE WITH THE COUNTY CLERK AND RECORDER'S OFFICE.

ROADWAY NOTES:

- 1. PAVING SHALL NOT COMMENCE UNTIL A SOILS REPORT AND PAVEMENT DESIGN IS APPROVED BY THE TOWN OF PARKER AND SUBGRADE COMPACTION TESTS ARE SUBMITTED TO AND APPROVED BY THE TOWN INSPECTOR.
2. STANDARD TOWN OF PARKER CURB RAMPS ARE TO BE CONSTRUCTED AT ALL CURB RETURNS AND AT ALL "T" INTERSECTIONS IN ACCORDANCE WITH THE LATEST TOWN OF PARKER STANDARDS
3. ALL STATIONING IS BASED ON CENTERLINE OF ROADWAYS UNLESS OTHERWISE NOTED.
4. ALL ELEVATIONS ARE ON USGS DATUM WITH DATE. RANGE POINT OR MONUMENT SHALL BE SHOWN ON THE CONSTRUCTION PLANS.
5. EXCEPT WHERE OTHERWISE PROVIDED FOR IN THESE PLANS AND SPECIFICATIONS, THE COLORADO DEPARTMENT OF HIGHWAYS STANDARD SPECIFICATIONS FOR ROAD AND BRIDGE CONSTRUCTION, THE COLORADO DEPARTMENT OF HIGHWAYS M AND S STANDARDS, AND THE TOWN OF PARKER ROADWAY DESIGN AND CONSTRUCTION CRITERIA MANUAL, LATEST EDITION, SHALL APPLY.

STORM DRAINAGE INFRASTRUCTURE NOTES:

- 1. ALL STORM DRAINAGE IMPROVEMENTS ARE SUBJECT TO COMPLIANCE WITH THE COLORADO DEPARTMENT OF TRANSPORTATION (CDOT) CURRENT EDITION OF THE STANDARD SPECIFICATIONS FOR ROAD AND BRIDGE CONSTRUCTION, M & S STANDARDS, AND ALL STANDARD SPECIAL PROVISIONS CURRENTLY USED BY CDOT...
2. THE CONTRACTOR SHALL COMPLY WITH THE "COLORADO WATER QUALITY CONTROL ACT" (TITLE 25, ARTICLE 8 CRS), THE "PROTECTION OF FISHING STREAMS" TITLE 33, ARTICLE 5, CRS), THE "CLEAN WATER ACT" (33 USC 1344), CHERRY CREEK RESERVOIR CONTROL REGULATION NO. 72" (5 CCR 1002-72), THE REGULATION PROMULGATED, CERTIFICATION OR PERMITS ISSUES, AND THE REQUIREMENTS PRESENTED IN THE SDECM REVISION TO SECTION 107 AND THE CONSTRUCTION BMP PLAN...
3. INSPECTIONS: CONSTRUCTION SHALL NOT BEGIN UNTIL A GRADING PERMIT HAS BEEN ISSUED FOR THE PROJECT...
4. STRUCTURAL BACKFILL (CDOT CLASS 1) SHALL BE COMPACTED TO CONFORM TO CDOT STANDARD SPECIFICATION 203.03...
5. ALL EXCAVATIONS SHALL MEET OSHA REQUIREMENTS.
6. TESTING: PROBATIONARY ACCEPTANCE OF STORM DRAINAGE IMPROVEMENTS WILL BE CONTINGENT UPON SATISFACTORY TESTING RESULTS...
7. ALLOWABLE STORM SEWER CONDUIT MATERIAL WITHIN THE TOWN OF PARKER SHALL BE LIMITED TO REINFORCED CONCRETE PIPE (RCP) CONFORMING TO CDOT STANDARD SPECIFICATION 706.02.
8. ALL RCP JOINTS SHALL BE MANUFACTURED IN ACCORDANCE WITH ASTM C443...
9. JOINT RESTRAINTS AND TOE-WALLS, CONFORMING TO CDOT M&S STANDARD PLAN NO. M-601-11 SHALL BE USED ON ALL RCP FLARED END SECTION OUTFALLS.
10. EPOXY COATED REBAR SHALL BE USED AS REINFORCING STEEL ON ALL STORM INLETS AND STRUCTURES...
11. CDOT CLASS D CONCRETE SHALL BE USED FOR ALL CONCRETE DRAINAGE STRUCTURES.
12. PRE-CAST INLETS AND MANHOLE BASES SHALL NOT BE USED WITHIN THE TOWN OF PARKER RIGHT-OF-WAY...
13. TWO (2) MANHOLE ACCESS POINTS ARE REQUIRED ON ALL TYPE "R" CURB INLETS GREATER THAN OR EQUAL TO TEN (10) FEET IN LENGTH...
14. ALL GROUTING (BOULDERS, RIPRAP) SHALL BE IN ACCORDANCE WITH THE REVISION OF SECTION 506 OF THE CDOT STANDARD SPECIFICATIONS...
15. ALL BOULDERS AND RIPRAP SHALL BE SELECTED AND PLACED IN ACCORDANCE WITH THE REVISION OF SECTION 506 OF THE CDOT STANDARD SPECIFICATIONS...
16. CONTRACTOR SHALL REFER TO THE TOWN OF PARKER'S CONSTRUCTION BEST MANAGEMENT PRACTICES DETAILS AND NOTES FOR ALL REQUIREMENTS RELATING TO RE-VEGETATION, SEDIMENT AND EROSION CONTROL REQUIREMENTS...
17. PIPE BELLS SHALL NOT BE CAST INTO MANHOLE BASES OR INLETS.

SIGNAGE AND STRIPING NOTES:

- 1. ALL TRAFFIC CONTROL DEVICES SHALL CONFORM TO THE MOST RECENT VERSION OF THE FEDERAL MANUAL ON UNIFORM TRAFFIC CONTROL DEVICES (MUTCD), COLORADO SUPPLEMENTAL MUTCD, AND THE TOWN OF PARKER ROADWAY DESIGN AND CONSTRUCTION CRITERIA MANUAL...
2. A FIELD INSPECTION OF LOCATION AND INSTALLATION OF ALL SIGNS AND MARKINGS SHALL BE PERFORMED BY THE TOWN OF PARKER.
3. THE CONTRACTOR INSTALLING SIGNS SHALL BE RESPONSIBLE FOR THE LOCATING AND PROTECTING OF ALL UNDERGROUND UTILITIES.
4. TYPE III (LIGHTED) BARRICADES SHALL BE SET AT THE ENDS OF ROADWAYS SEPARATING FINISHED (AND/OR ACCEPTED) AND UNFINISHED CONSTRUCTION AREAS...
5. SPECIAL CARE SHALL BE TAKEN IN SIGN LOCATIONS TO ENSURE AN UNOBSTRUCTED VIEW OF EACH SIGN.
6. WHERE STOP SIGN CONTROL IS APPROPRIATE, 36 INCH STOP SIGNS SHALL BE USED FOR APPROACHES TO ANY ROADWAY THAT IS CLASSIFIED AS A COLLECTOR OR GREATER.
7. A 7 FOOT MINIMUM POST LENGTH SHALL BE MAINTAINED FROM THE BOTTOM OF THE SIGN

PANEL TO THE GROUND. THIS REQUIREMENT FOR VERTICAL CLEARANCE IS FOR ALL SIGNS.

- 8. DELINEATION OF ROADWAYS SHALL BE AS SPECIFIED IN THE COLORADO DEPARTMENT OF TRANSPORTATION M AND S STANDARDS.
9. RAISED MEDIAN ISLAND NOSES SHALL HAVE R4-7 SIGNS AT EACH END AND A 4"x12" HIGH INTENSITY YELLOW SIGN BLANK LOCATED MIDWAY BETWEEN THE R4-7 SIGN AND FINISHED GRADE ON EACH POST.
10. SIGNAGE AND STRIPING HAS BEEN DETERMINED BY INFORMATION AVAILABLE AT THE TIME OF REVIEW...
11. DIAMOND GRADE MATERIAL SHALL BE USED ON ALL STOP SIGNS AND OVERHEAD SIGNS...
12. ALL STREET NAME SIGNS SHALL BE HIGH INTENSITY, EXTRUDED, GREEN AND WHITE BLADES...
13. ALL LAYOUTS FOR INTERNALLY ILLUMINATED STREET NAME SIGNS SHALL BE SUBMITTED TO THE TOWN FOR REVIEW AND APPROVAL...
14. ALL REMOVED SIGNS SHALL BE RETURNED TO THE TOWN OF PARKER.
15. CROSSWALKS:
- SHALL BE CONSTRUCTED USING PREFORMED THERMO-PLASTIC OR APPROVED EQUAL.
- SHALL BE LONGITUDINAL 2 FEET BY 10 FEET (CONTINENTAL) TYPE OR OTHER APPROVED BY THE TOWN OF PARKER.
- SHALL LINE UP WITH HANDICAP RAMPS.
- SHALL BE CENTERED WITHIN LANES AND PLACED ON LANE AND CURB LINES SO AS TO AVOID VEHICLE WHEEL PATHS.
16. ALL PAVEMENT MARKING MATERIAL (INCLUDING WORDS AND SYMBOLS) SHALL BE AS FOLLOWS:
- FOR CONCRETE SURFACE: LONG LINE MARKINGS (CHANNELIZATION LINES, SKIPS, ETC.) SHALL BE EPOXY PAINT...
- WORDS, SYMBOLS, AND CROSSWALKS/STOP BARS SHALL BE METHYL-MYTHACRALATE...
- (SAND OR WATER BLAST CURING COMPOUND PRIOR TO INSTALLATION OF MARKINGS.)
- FOR ASPHALT SURFACE: LONG LINE MARKINGS (CHANNELIZATION LINES, SKIPS, ETC.) SHALL BE EPOXY PAINT...
- WORDS, SYMBOLS, AND CROSSWALKS/STOP BARS SHALL BE HOT APPLIED THERMOPLASTIC...
17. INSPECTION AND APPROVAL OF STRIPING AND CROSSWALK LAYOUT TO BE DONE BY TOWN OF PARKER DEVELOPMENT REVIEW ENGINEER...

EES GENERAL SITE NOTES

- 1. NO WORK IS TO BEGIN UNTIL NECESSARY PERMITS HAVE BEEN OBTAINED.
2. ENTIRE INSTALLATION SHALL MEET ALL APPLICABLE CODES
3. VERIFY ALL CONDITIONS AND DIMENSIONS ON SITE.
4. GENERAL CONTRACTOR TO COORDINATE ALL UTILITY WORK WITH THE APPROPRIATE UTILITY PROVIDER...
5. GENERAL CONTRACTOR TO PROVIDE ALL EQUIPMENT AND PERSONNEL REQUIRED FOR FINAL CHECKOUT...
6. GENERAL CONTRACTOR TO PERFORM GENERAL YARD AND BUILDING CLEAN-UP...
7. ALL PUBLIC IMPROVEMENTS SHALL BE IN ACCORDANCE WITH THE CITY STANDARDS AND SPECIFICATIONS...
8. THE STANDARDS AND SPECIFICATIONS SHALL GOVERN SHOULD A DISCREPANCY ARISE BETWEEN THE STANDARDS AND SPECIFICATIONS...
9. ALL ASPHALT CUTS FOR UTILITIES AND PAVEMENT WITHIN PUBLIC RIGHT OF WAYS SHALL BE IN ACCORDANCE WITH THE CITY OF AURORA STANDARDS...
10. IT SHALL BE THE CONTRACTOR'S RESPONSIBILITY TO VERIFY THE ACTUAL LOCATION AND ELEVATION OF EXISTING UTILITIES...
11. IT SHALL BE THE CONTRACTOR'S RESPONSIBILITY TO NOTIFY ALL UTILITIES WHEN CONSTRUCTION WORK BEGINS...
12. CONTRACTOR SHALL BE RESPONSIBLE FOR ALL INSPECTION AND TESTING...
13. NOTES LOCATED ON ANY SHEET IN THE SET ARE APPLICABLE TO ENTIRE SET.

CONTRACTOR RESPONSIBLE FOR AS-BUILT DRAWINGS AS REQUIRED FOR ACCEPTANCE OF WORK FROM CITY OF AURORA, COLORADO, OR ANY OTHER GOVERNING AGENCY.

THE OWNER/CONTRACTOR MUST OBTAIN A C.D.P.S. STORM WATER DISCHARGE PERMIT FROM THE COLORADO DEPARTMENT OF PUBLIC HEALTH AND ENVIRONMENT, IF REQUIRED.

THE TOWN OF PARKER REVIEW CONSTITUTES GENERAL COMPLIANCE WITH THE TOWN'S STANDARDS AND APPROVED VARIANCES... THE TOWN DOES NOT CONSTITUTE APPROVAL OF THE PLAN DESIGN OR ACCURACY AND CORRECTNESS OF ENGINEERING CALCULATIONS...

TOWN OF PARKER, DIRECTOR OF ENGINEERING/PUBLIC WORKS DATE

Table with columns: No., REVISION, BY, DATE



CONSTRUCTION DOCUMENTS
CONVENIENCE STORE
CONSTRUCTION NOTES

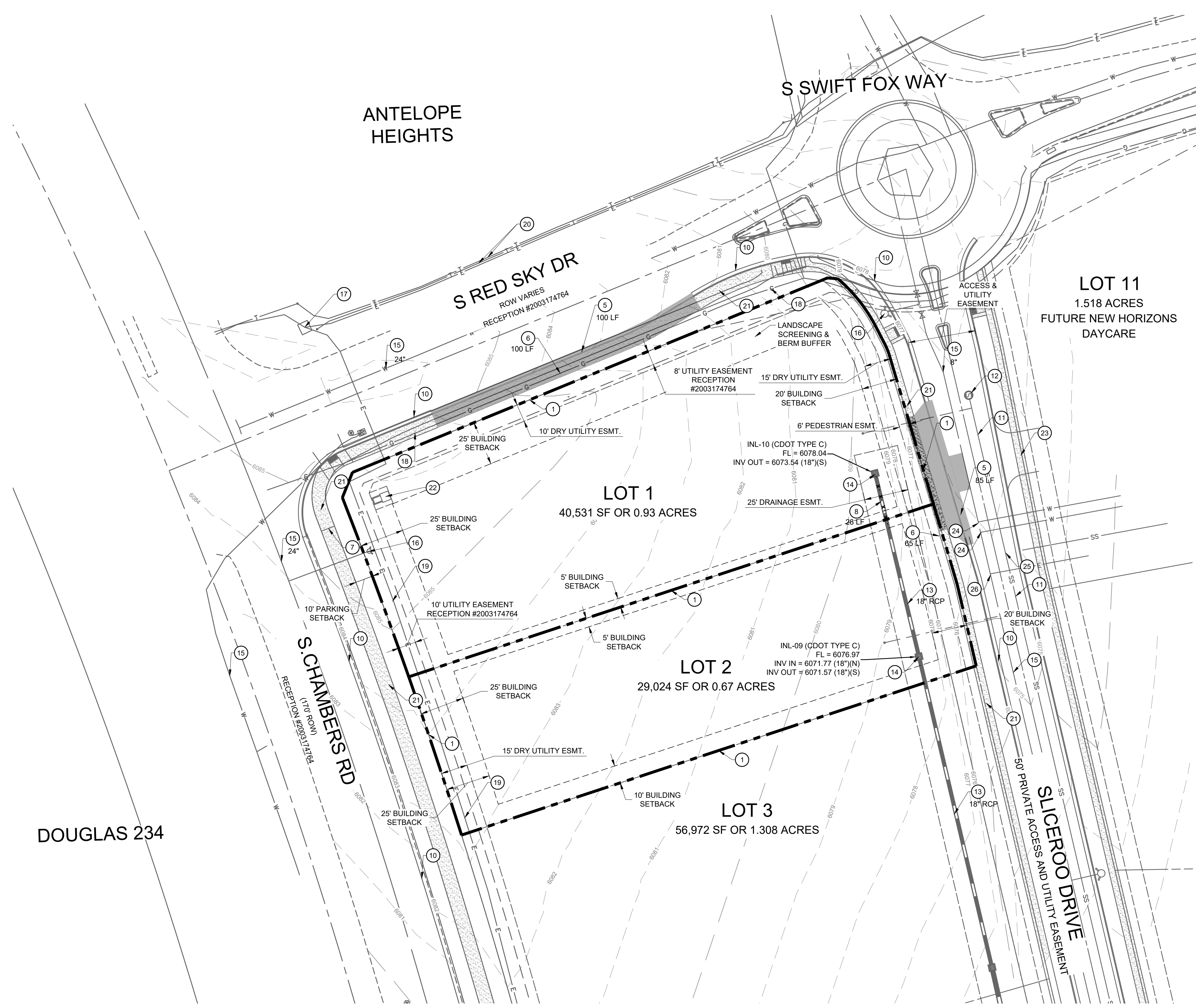
PROJECT NO: -----
DESIGNED BY: LCG
DRAWN BY: JLG
DATE: 09/21/2021

C0.1

811 CALL UTILITY NOTIFICATION CENTER OF COLORADO 1-800-922-1987 or 811 CALL 3-BUSINESS DAYS (NOT INCLUDING INITIAL DAY OF CONTACT) IN ADVANCE BEFORE YOU DIG, GRADE, OR EXCAVATE FOR THE MARKING OF UNDERGROUND MEMBER UTILITIES.

© 2021, ALL RIGHTS RESERVED.

9/24/2021 2:51 PM P:\TWINSTAR ENERGY\CO. PARKER - CHAMBERS & HESS\08 CAD\CDS\LOT 1\02-EXISTING CONDITIONS.DWG



LEGEND

- PROPERTY LINE
- BUILDING SETBACK LINE
- EXISTING CURB AND GUTTER
- EXISTING MINOR CONTOUR
- EXISTING MAJOR CONTOUR
- EXISTING FIRE HYDRANT
- EXISTING SANITARY/STORM MANHOLE
- EXISTING STORM SEWER
- EXISTING STORM INLET
- EXISTING GAS LINE
- EXISTING ELECTRIC LINE
- EXISTING SANITARY LINE
- EXISTING WATER LINE
- EXISTING ITEMS TO BE REMOVED

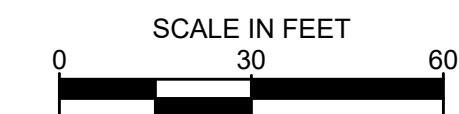
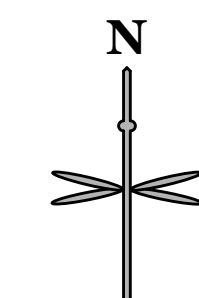
EXISTING CONDITIONS NOTE:

- PROPOSED MASTERPLAN IMPROVEMENTS BY THE OVERALL DEVELOPER, AS DESIGNED BY RICK ENGINEERING, CONTRACTOR RESPONSIBLE TO OBTAIN LATEST PLANS FROM RICK ENGINEERING, PRIOR TO CONSTRUCTION OF LOT 1 AND LOT 2 SITE.

EXISTING CONDITION & DEMOLITION SCHEDULE:

- ① PROPERTY LINE
- EXISTING TO BE REMOVED**
- ⑤ CURB AND GUTTER
 - ⑥ SIDEWALK
 - ⑦ EXISTING SW END AND MASTER DEVELOPMENT BEGIN.
 - ⑧ EXISTING 18" RCP TO BE REMOVED.
- EXISTING TO REMAIN**
- ⑩ CURB AND GUTTER TO REMAIN
 - ⑪ SANITARY MAIN
 - ⑫ SANITARY MANHOLE/STRUCTURE
 - ⑬ STORM LINE
 - ⑭ STORM MANHOLE/STRUCTURE/INLET
 - ⑮ WATER MAIN
 - ⑯ FIRE HYDRANT
 - ⑰ DRY UTILITY MANHOLES/STRUCTURES/BOX
 - ⑱ GAS LINE
 - ⑲ ELECTRIC LINE
 - ⑳ TELECOMMUNICATIONS LINE
 - ㉑ CONCRETE SIDEWALK
 - ㉒ MONUMENT SIGN
 - ㉓ ENTRY TO ADJACENT NEW HORIZON DAYCARE DEVELOPMENT
 - ㉔ APPROX. LOCATION OF NEW HORIZON DAYCARE WATER TAP
 - ㉕ APPROX. LOCATION OF NEW HORIZON DAYCARE SANITARY TAP
 - ㉖ APPROX. LOCATION OF NEW HORIZON ELECTRIC CONNECTION

NOTE: ALL OTHER UTILITIES AND UTILITY BOXES THAT ARE NOT CALLED OUT TO BE REMOVED OR RELOCATED ARE TO REMAIN.



IF BAR DOES NOT MEASURE 1 INCH THEN DRAWING IS NOT TO SCALE

THE TOWN OF PARKER REVIEW CONSTITUTES GENERAL COMPLIANCE WITH THE TOWN'S STANDARDS AND APPROVED VARIANCES, SUBJECT TO THESE PLANS BEING STAMPED, SIGNED, AND DATED BY THE PROFESSIONAL ENGINEER OF RECORD. REVIEW BY THE TOWN DOES NOT CONSTITUTE APPROVAL OF THE PLAN DESIGN OR ACCURACY AND CORRECTNESS OF ENGINEERING CALCULATIONS. ERRORS IN THE DESIGN OR CALCULATIONS REMAIN THE RESPONSIBILITY OF THE REGISTERED PROFESSIONAL ENGINEER WHOSE STAMP AND SIGNATURE ARE AFFIXED TO THIS DOCUMENT. THIS REVIEW DOES NOT CONSTITUTE APPROVAL OF ANY PRIVATE ON-SITE IMPROVEMENTS WHICH MAY BE SHOWN. CONSTRUCTION CANNOT COMMENCE UNTIL ALL REQUIRED DRAINAGE/TRAFFIC REPORT(S), FINAL DEVELOPMENT PLAN(S), SPECIAL REVIEW(S), GRADING PERMIT, AND/OR OTHER PERMITS ARE COMPLETE, APPROVED AND ON FILE WITH THE TOWN OF PARKER.

TOWN OF PARKER, DIRECTOR OF ENGINEERING/PUBLIC WORKS DATE

No.	REVISION	BY	DATE

EES
 ENGINEERING AND
 SOLUTIONS, INC.

 501 S Cherry St, Suite 300
 Glendale, CO 80246
 303-672-7997 www.ees-us.com

CONSTRUCTION DOCUMENTS
CONVENIENCE STORE
 12181 AND 12191 SLICEROO DRIVE, PARKER, CO 80134
EXISTING CONDITIONS

PROJECT NO:
 DESIGNED BY: LCG
 DRAWN BY: JLG
 DATE: 09/21/2021

C0.2

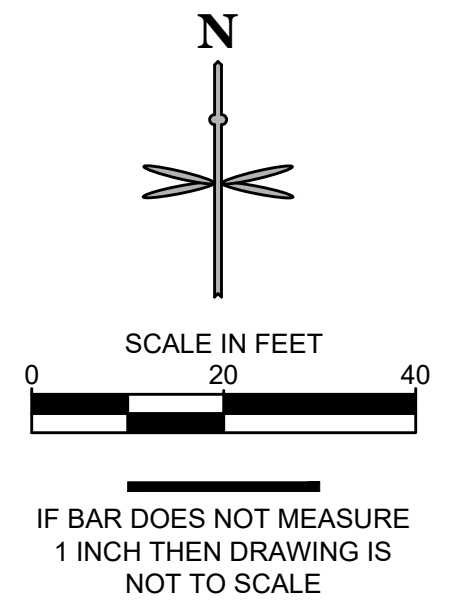
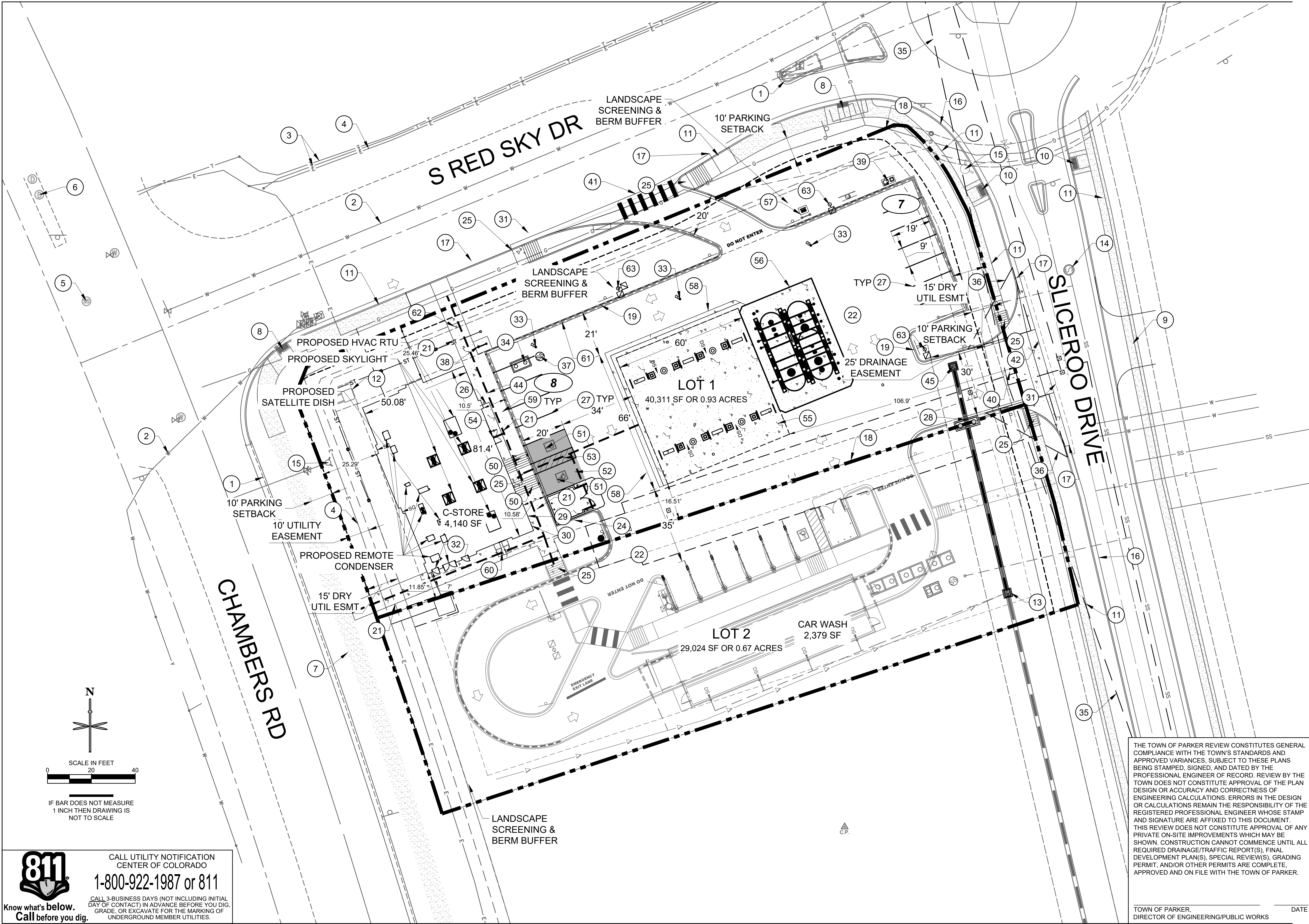
811
 Know what's below.
 Call before you dig.

CALL UTILITY NOTIFICATION
 CENTER OF COLORADO
 1-800-922-1987 or 811

CALL 3-BUSINESS DAYS (NOT INCLUDING INITIAL DAY OF CONTACT) IN ADVANCE BEFORE YOU DIG, GRADE, OR EXCAVATE FOR THE MARKING OF UNDERGROUND MEMBER UTILITIES.

© 2021, ALL RIGHTS RESERVED.

9/24/2021 2:51 PM P:\TWINSTAR ENERGY\CO. PARKER - CHAMBERS & HESS\08 CAD\SITE PLAN\LOT 1 SITE PLAN.DWG



811
Know what's below.
Call before you dig.

CALL UTILITY NOTIFICATION
CENTER OF COLORADO
1-800-922-1987 or 811

CALL 3-BUSINESS DAYS (NOT INCLUDING INITIAL DAY OF CONTACT) IN ADVANCE BEFORE YOU DIG, GRADE, OR EXCAVATE FOR THE MARKING OF UNDERGROUND MEMBER UTILITIES.

THE TOWN OF PARKER REVIEW CONSTITUTES GENERAL COMPLIANCE WITH THE TOWN'S STANDARDS AND APPROVED VARIANCES, SUBJECT TO THESE PLANS BEING STAMPED, SIGNED, AND DATED BY THE PROFESSIONAL ENGINEER OF RECORD. REVIEW BY THE TOWN DOES NOT CONSTITUTE APPROVAL OF THE PLAN DESIGN OR ACCURACY AND CORRECTNESS OF ENGINEERING CALCULATIONS. ERRORS IN THE DESIGN OR CALCULATIONS REMAIN THE RESPONSIBILITY OF THE REGISTERED PROFESSIONAL ENGINEER WHOSE STAMP AND SIGNATURE ARE AFFIXED TO THIS DOCUMENT. THIS REVIEW DOES NOT CONSTITUTE APPROVAL OF ANY PRIVATE ON-SITE IMPROVEMENTS WHICH MAY BE SHOWN. CONSTRUCTION CANNOT COMMENCE UNTIL ALL REQUIRED DRAINAGE/TRAFFIC REPORT(S), FINAL DEVELOPMENT PLAN(S), SPECIAL REVIEW(S), GRADING PERMIT, AND/OR OTHER PERMITS ARE COMPLETE, APPROVED AND ON FILE WITH THE TOWN OF PARKER.

TOWN OF PARKER, _____ DATE _____
DIRECTOR OF ENGINEERING/PUBLIC WORKS

NO.	REVISION	BY	DATE

EES
ENGINEERING AND
SOLUTIONS, INC.
501 S Cherry St, Suite 300
Glendale, CO 80246
303-672-7997 www.ees.us.com

CONSTRUCTION DOCUMENTS
CONVENIENCE STORE
12181 AND 12191 SLICEROO DRIVE, PARKER, CO 80134

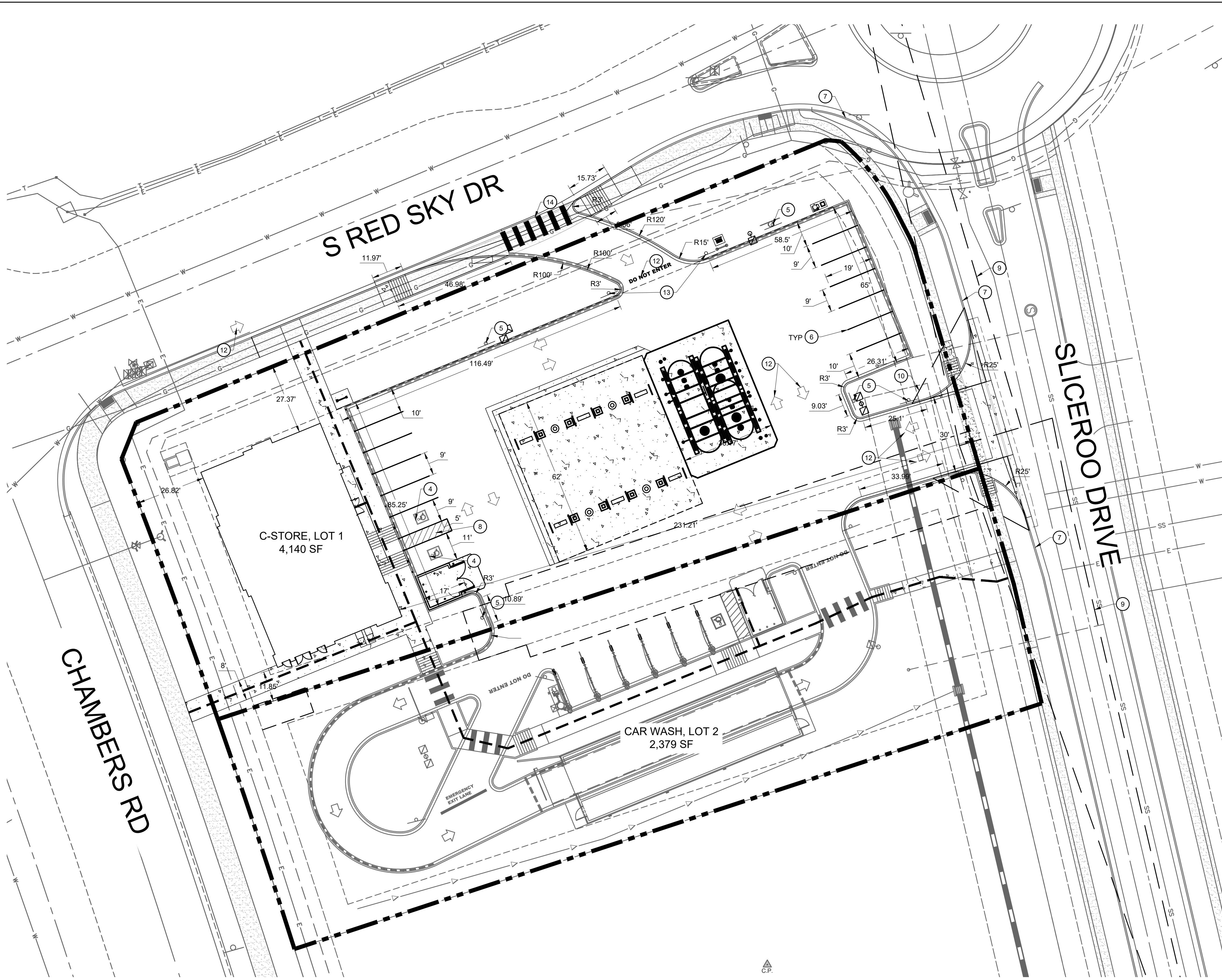
SITE PLAN

PROJECT NO: _____
DESIGNED BY: LCG
DRAWN BY: JLG
DATE: 09/21/2021

C1.0

© 2021, ALL RIGHTS RESERVED.

9/24/2021 2:52 PM P:\TWINSTAR ENERGY\CO, PARKER - CHAMBERS & HESS\08 CAD\CADD\LOT 1C1.2 - HORIZONTAL CONTROL PLAN.DWG



SIGNS AND STRIPING:

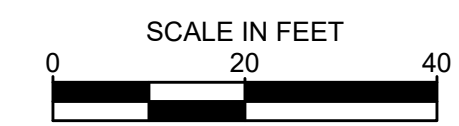
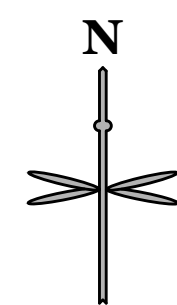
- ① EXISTING SIGN TO REMAIN.
- ② STOP SIGN PER MUTCD R1-1.
- ③ NOT USED
- ④ PROPOSED PAINT HC PARKING SYMBOL.
- ⑤ "NO PARKING FIRE LANE" SIGN 12"x18".
- ⑥ 4" SINGLE LINE EPOXY COATED WHITE.
- ⑦ EXISTING CURB AND GUTTER TO REMAIN.
- ⑧ PROPOSED PAINT 4" SOLID WHITE PARKING STRIPS AT 16" O.C. AN 45° TO THE DIRECTION OF TRAFFIC. BORDER TO BE 4" SOLID WHITE LINE.
- ⑨ PROPOSED SIGHT DISTANCE TRIANGLE AS PER DETAIL 24 OF THE TOWN OF PARKER ROADWAY DESIGN AND CONSTRUCTION CRITERIA MANUAL (25 MPH ASSUMED).
- ⑩ PROPOSED 30'X30' CORNER SIGHT TRIANGLE
- ⑪ EXISTING SIGN TO BE RELOCATED.
- ⑫ SOLID WHITE PAINTED ARROWS, WORDS.
- ⑬ DO NOT ENTER SIGN PER MUTCD X-R5-1.
- ⑭ PR. CROSSWALK STRIPING, 10'LX2'W WHITE, 4' SEP.

LEGEND

- PROPERTY LINE
- EXISTING CURB AND GUTTER
- PROPOSED CURB AND GUTTER
- PROPOSED SPILL CURB AND GUTTER
- DENOTES ADA ROUTE

HORIZONTAL CONTROL NOTES:

- 1. ALL DIMENSIONS ARE TO FLOWLINE UNLESS OTHERWISE NOTED.
- 2. THE CONTRACTOR SHALL OBTAIN THE LATEST CAD FILE OF SITE IMPROVEMENTS FROM THE ENGINEER OF RECORD FOR HORIZONTAL AND VERTICAL SURVEY CONTROL PRIOR TO CONSTRUCTION. CONTRACTOR TO VERIFY WITH ENGINEER OF RECORD ANY DISCREPANCIES BETWEEN THE CAD FILES AND CONSTRUCTION PLANS PRIOR TO INSTALLATION OF PLAN IMPROVEMENTS.
- 3. SEE ARCHITECTURAL PLANS FOR BUILDING DIMENSIONS.



IF BAR DOES NOT MEASURE
1 INCH THEN DRAWING IS
NOT TO SCALE

THE TOWN OF PARKER REVIEW CONSTITUTES GENERAL COMPLIANCE WITH THE TOWN'S STANDARDS AND APPROVED VARIANCES, SUBJECT TO THESE PLANS BEING STAMPED, SIGNED, AND DATED BY THE PROFESSIONAL ENGINEER OF RECORD. REVIEW BY THE TOWN DOES NOT CONSTITUTE APPROVAL OF THE PLAN DESIGN OR ACCURACY AND CORRECTNESS OF ENGINEERING CALCULATIONS. ERRORS IN THE DESIGN OR CALCULATIONS REMAIN THE RESPONSIBILITY OF THE REGISTERED PROFESSIONAL ENGINEER WHOSE STAMP AND SIGNATURE ARE AFFIXED TO THIS DOCUMENT. THIS REVIEW DOES NOT CONSTITUTE APPROVAL OF ANY PRIVATE ON-SITE IMPROVEMENTS WHICH MAY BE SHOWN. CONSTRUCTION CANNOT COMMENCE UNTIL ALL REQUIRED DRAINAGE/TRAFFIC REPORT(S), FINAL DEVELOPMENT PLAN(S), SPECIAL REVIEW(S), GRADING PERMIT, AND/OR OTHER PERMITS ARE COMPLETE, APPROVED AND ON FILE WITH THE TOWN OF PARKER.

TOWN OF PARKER, _____ DATE
DIRECTOR OF ENGINEERING/PUBLIC WORKS

No.	REVISION	BY	DATE

EES
ENGINEERING AND
SOLUTIONS, INC.
501 S Cherry St, Suite 300
Glendale, CO 80246
303-672-7997 www.ees.us.com

CONSTRUCTION DOCUMENTS
CONVENIENCE STORE
12181 AND 12191 SLICEROO DRIVE, PARKER, CO 80134
**HORIZONTAL CONTROL, PAVING,
STRIPING & SIGNAGE PLAN**

PROJECT NO: _____
DESIGNED BY: LCG
DRAWN BY: JLG
DATE: 09/21/2021

C1.2



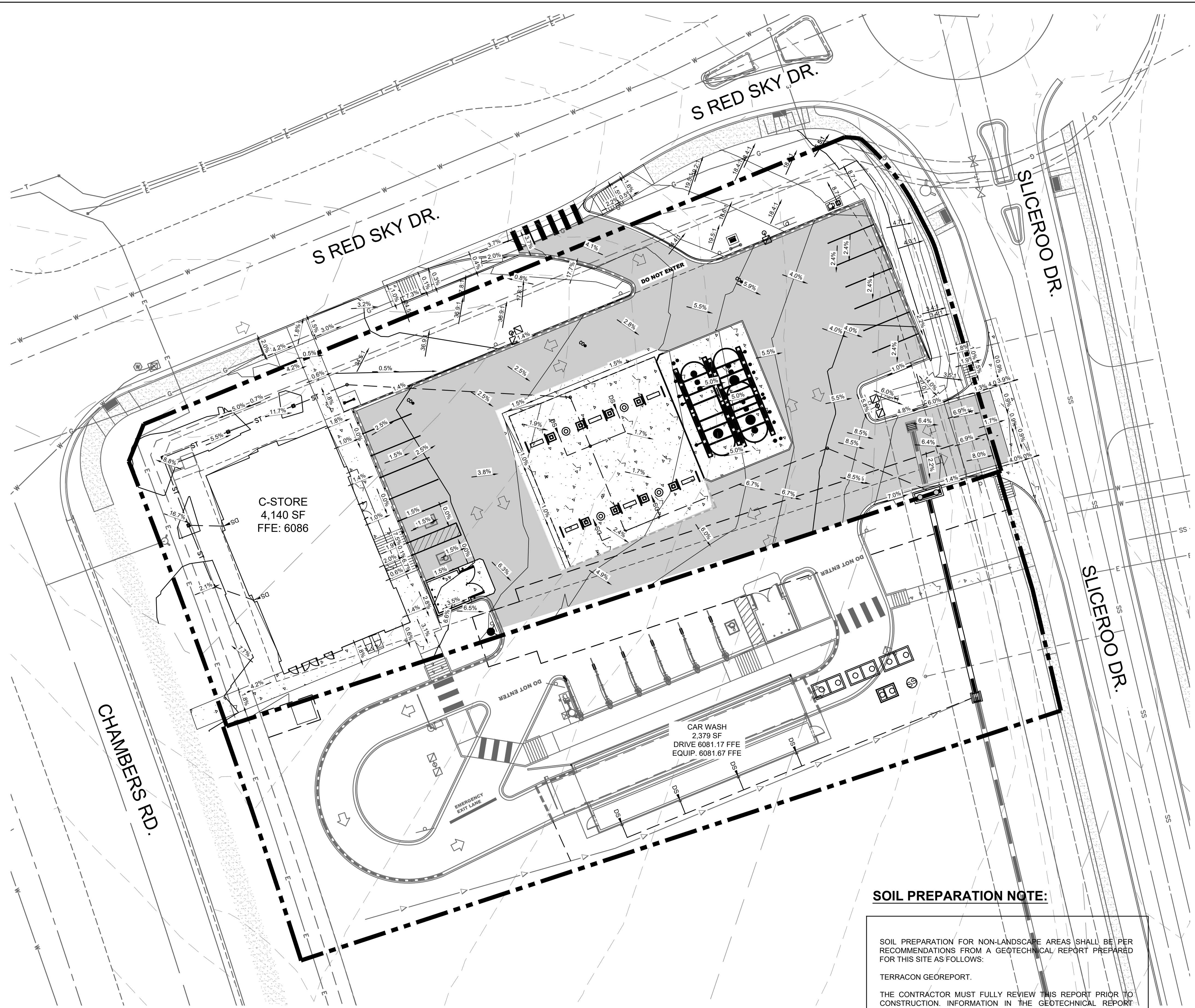
CALL UTILITY NOTIFICATION
CENTER OF COLORADO
1-800-922-1987 or 811

Know what's below.
Call before you dig.

CALL 3-BUSINESS DAYS (NOT INCLUDING INITIAL DAY OF CONTACT) IN ADVANCE BEFORE YOU DIG, GRADE, OR EXCAVATE FOR THE MARKING OF UNDERGROUND MEMBER UTILITIES.

© 2021, ALL RIGHTS RESERVED.

9/24/2021 2:53 PM P:\TWINSTAR ENERGY\CO. PARKER - CHAMBERS & HESS\08 CAD\SITE PLAN\LOT 1\GRADING PLAN.DWG



LEGEND

- PROPERTY LINE
- EXISTING CURB AND GUTTER
- PROPOSED CURB AND GUTTER
- PROPOSED SPILL CURB AND GUTTER
- PROPOSED FENCE
- PROPOSED RETAINING WALL
- PROPOSED MAJOR CONTOUR
- PROPOSED MINOR CONTOUR
- EXISTING MAJOR CONTOUR
- EXISTING MINOR CONTOUR
- PROPOSED FLOW LINE ELEVATION
- PROPOSED SIDEWALK ELEVATION
- PROPOSED GRADE TO MATCH EXISTING
- PROPOSED TOP BACK OF CURB ELEVATION
- PROPOSED FINISHED GRADE ELEVATION
- PROPOSED EXTERIOR GRADE AT FOUNDATION
- FLOW ARROW AND GRADE
- TRASH ENCLOSURE PAD (SEE PAVING DETAILS ON SHEET C5.2).
- ONSITE ASPHALT DRIVE LANES AND PARKING AREAS (SEE PAVING DETAILS ON SHEET C5.2).
- ONSITE CONCRETE SIDEWALK (SEE DETAIL C6.0).

GENERAL NOTES:

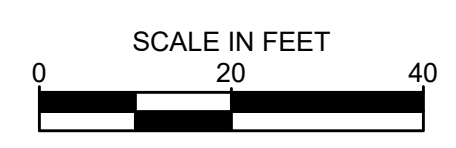
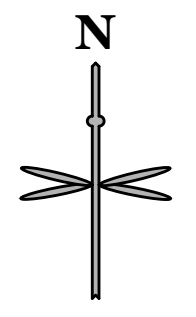
1. CATCH CURB AND GUTTER FLOWLINE GRADES SHALL BE A MINIMUM 0.5%.
2. ALL ADA SIDEWALKS, RAMPS AND PARKING STALLS SHALL COMPLY WITH CITY AND STATE APPLICABLE CODES AND STANDARDS.
3. ALL SPOT ELEVATIONS ARE IN REFERENCE TO THE BENCHMARK.
4. SIDEWALKS SHALL NOT EXCEED 2% CROSS SLOPE.
5. ALL ELEVATIONS ARE FLOWLINE UNLESS OTHERWISE NOTED.
6. OFFSITE EASEMENTS REQUIRED FOR ANY GRADING BEYOND PROPERTY BOUNDARY.
7. NO WORK IS TO BEGIN UNTIL ALL PERMITS HAVE BEEN OBTAINED.
8. FINAL GRADES ARE SUBJECT TO MINOR CHANGE BY CONTRACTOR. NO GRADE CHANGES IN EXCESS OF 0.05' WITHOUT ENGINEER APPROVAL.
9. ANY FILL MATERIAL REQUIRED TO BRING THE SITE TO GRADE SHALL BE CLEAN FILL APPROVED BY GEOTECHNICAL ENGINEER.
10. GENERAL CONTRACTOR SHALL BE RESPONSIBLE FOR MINIMIZING DEPOSITION OF ONSITE SEDIMENTS ONTO SURROUNDING PUBLIC STREETS DURING CONSTRUCTION.

SOIL PREPARATION NOTE:

SOIL PREPARATION FOR NON-LANDSCAPE AREAS SHALL BE PER RECOMMENDATIONS FROM A GEOTECHNICAL REPORT PREPARED FOR THIS SITE AS FOLLOWS:

TERRACON GEOREPORT.

THE CONTRACTOR MUST FULLY REVIEW THIS REPORT PRIOR TO CONSTRUCTION. INFORMATION IN THE GEOTECHNICAL REPORT SUPERSEDES ANY CONFLICTING INFORMATION CONTAINED IN THE CONSTRUCTION PLANS AND SPECIFICATIONS. REFER TO GENERAL STRUCTURAL NOTES FOR SPECIFIC SOIL PREPARATION AT SITE STRUCTURES. REFER TO THE LANDSCAPE PLANS FOR SPECIFIC PLANTING AREA SOIL AMENDMENT PROCEDURES.



IF BAR DOES NOT MEASURE 1 INCH THEN DRAWING IS NOT TO SCALE

811
Know what's below.
Call before you dig.

CALL UTILITY NOTIFICATION
CENTER OF COLORADO
1-800-922-1987 or 811

CALL 3-BUSINESS DAYS (NOT INCLUDING INITIAL DAY OF CONTACT) IN ADVANCE BEFORE YOU DIG, GRADE, OR EXCAVATE FOR THE MARKING OF UNDERGROUND MEMBER UTILITIES.

THE TOWN OF PARKER REVIEW CONSTITUTES GENERAL COMPLIANCE WITH THE TOWN'S STANDARDS AND APPROVED VARIANCES. SUBJECT TO THESE PLANS BEING STAMPED, SIGNED, AND DATED BY THE PROFESSIONAL ENGINEER OF RECORD. REVIEW BY THE TOWN DOES NOT CONSTITUTE APPROVAL OF THE PLAN DESIGN OR ACCURACY AND CORRECTNESS OF ENGINEERING CALCULATIONS. ERRORS IN THE DESIGN OR CALCULATIONS REMAIN THE RESPONSIBILITY OF THE REGISTERED PROFESSIONAL ENGINEER WHOSE STAMP AND SIGNATURE ARE AFFIXED TO THIS DOCUMENT. THIS REVIEW DOES NOT CONSTITUTE APPROVAL OF ANY PRIVATE ON-SITE IMPROVEMENTS WHICH MAY BE SHOWN. CONSTRUCTION CANNOT COMMENCE UNTIL ALL REQUIRED DRAINAGE/TRAFFIC REPORT(S), FINAL DEVELOPMENT PLAN(S), SPECIAL REVIEW(S), GRADING PERMIT, AND/OR OTHER PERMITS ARE COMPLETE, APPROVED AND ON FILE WITH THE TOWN OF PARKER.

TOWN OF PARKER, DIRECTOR OF ENGINEERING/PUBLIC WORKS

NO.	REVISION	BY	DATE

EES
ENGINEERING AND
SOLUTIONS, INC.
501 S Cherry St, Suite 300
Glendale, CO 80246
303-672-7997 www.ees.us.com

CONSTRUCTION DOCUMENTS
CONVENIENCE STORE
OVERALL GRADING PLAN

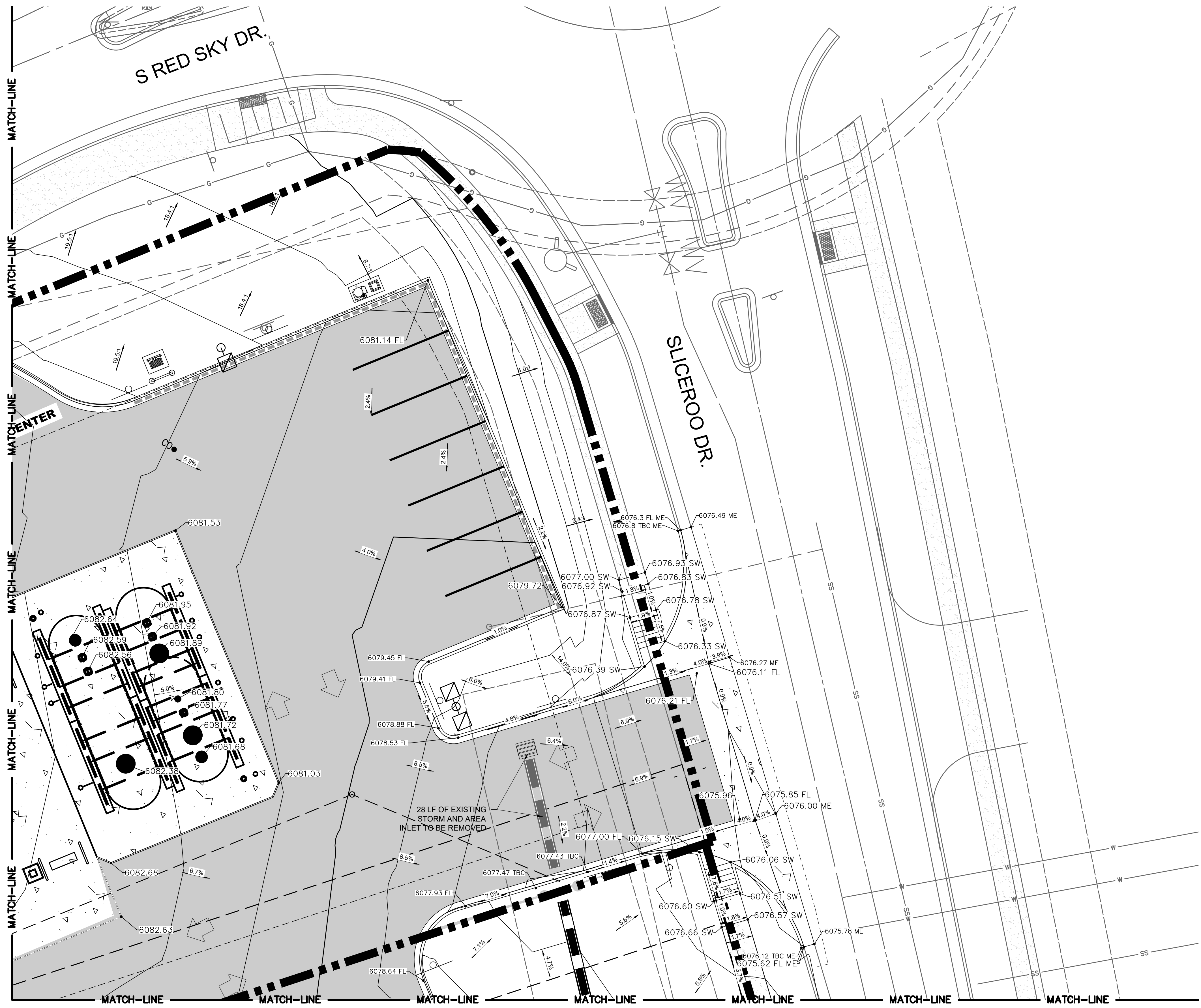
12181 AND 12191 SLICEROO DRIVE, PARKER, CO 80134

PROJECT NO: _____
DESIGNED BY: LCG
DRAWN BY: JLG
DATE: 09/21/2021

C2.0

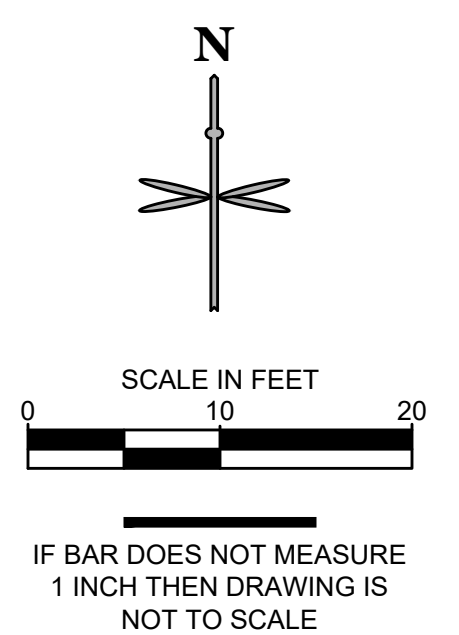
© 2021, ALL RIGHTS RESERVED.

9/24/2021 2:53 PM P:\TWINSTAR ENERGY\CO. PARKER - CHAMBERS & HESS\08 CAD\SITE PLAN\LOT 1\GRADING PLAN.DWG



LEGEND

	PROPERTY LINE
	EXISTING CURB AND GUTTER
	PROPOSED CURB AND GUTTER
	PROPOSED SPILL CURB AND GUTTER
	PROPOSED FENCE
	PROPOSED RETAINING WALL
	PROPOSED MAJOR CONTOUR
	PROPOSED MINOR CONTOUR
	EXISTING MAJOR CONTOUR
	EXISTING MINOR CONTOUR
	PROPOSED FLOW LINE ELEVATION
	PROPOSED SIDEWALK ELEVATION
	PROPOSED GRADE TO MATCH EXISTING
	PROPOSED TOP BACK OF CURB ELEVATION
	PROPOSED FINISHED GRADE ELEVATION
	PROPOSED EXTERIOR GRADE AT FOUNDATION
	FLOW ARROW AND GRADE
	TRASH ENCLOSURE PAD (SEE PAVING DETAILS ON SHEET C5.2).
	ONSITE ASPHALT DRIVE LANES AND PARKING AREAS (SEE PAVING DETAILS ON SHEET C5.2).
	ONSITE CONCRETE SIDEWALK (SEE DETAIL C6.0).



THE TOWN OF PARKER REVIEW CONSTITUTES GENERAL COMPLIANCE WITH THE TOWN'S STANDARDS AND APPROVED VARIANCES. SUBJECT TO THESE PLANS BEING STAMPED, SIGNED, AND DATED BY THE PROFESSIONAL ENGINEER OF RECORD. REVIEW BY THE TOWN DOES NOT CONSTITUTE APPROVAL OF THE PLAN DESIGN OR ACCURACY AND CORRECTNESS OF ENGINEERING CALCULATIONS. ERRORS IN THE DESIGN AND SIGNATURE REMAIN THE RESPONSIBILITY OF THE REGISTERED PROFESSIONAL ENGINEER WHOSE STAMP AND SIGNATURE ARE AFFIXED TO THIS DOCUMENT. THIS REVIEW DOES NOT CONSTITUTE APPROVAL OF ANY PRIVATE ON-SITE IMPROVEMENTS WHICH MAY BE SHOWN. CONSTRUCTION CANNOT COMMENCE UNTIL ALL REQUIRED DRAINAGE/TRAFFIC REPORT(S), FINAL DEVELOPMENT PLAN(S), SPECIAL REVIEW(S), GRADING PERMIT, AND/OR OTHER PERMITS ARE COMPLETE, APPROVED AND ON FILE WITH THE TOWN OF PARKER.

REFER TO SHEET ENLARGED GRADING PLAN - NW

REFER TO SHEET ENLARGED GRADING PLAN - SE

ENLARGED GRADING DETAIL - NORTHEAST
1" = 10'

811
Know what's below.
Call before you dig.

CALL UTILITY NOTIFICATION CENTER OF COLORADO
1-800-922-1987 or 811

CALL 3-BUSINESS DAYS (NOT INCLUDING INITIAL DAY OF CONTACT) IN ADVANCE BEFORE YOU DIG, GRADE, OR EXCAVATE FOR THE MARKING OF UNDERGROUND MEMBER UTILITIES.

BY	DATE

EES
ENGINEERING AND SOLUTIONS, INC.
501 S Cherry St, Suite 300
Glendale, CO 80246
303-672-7997 www.ees.us.com

No.	REVISION

CONSTRUCTION DOCUMENTS
CONVENIENCE STORE
12181 AND 12191 SLICEROO DRIVE, PARKER, CO 80134
ENLARGED GRADING PLAN - NE

PROJECT NO:
DESIGNED BY: LCG
DRAWN BY: JLG
DATE: 09/21/2021

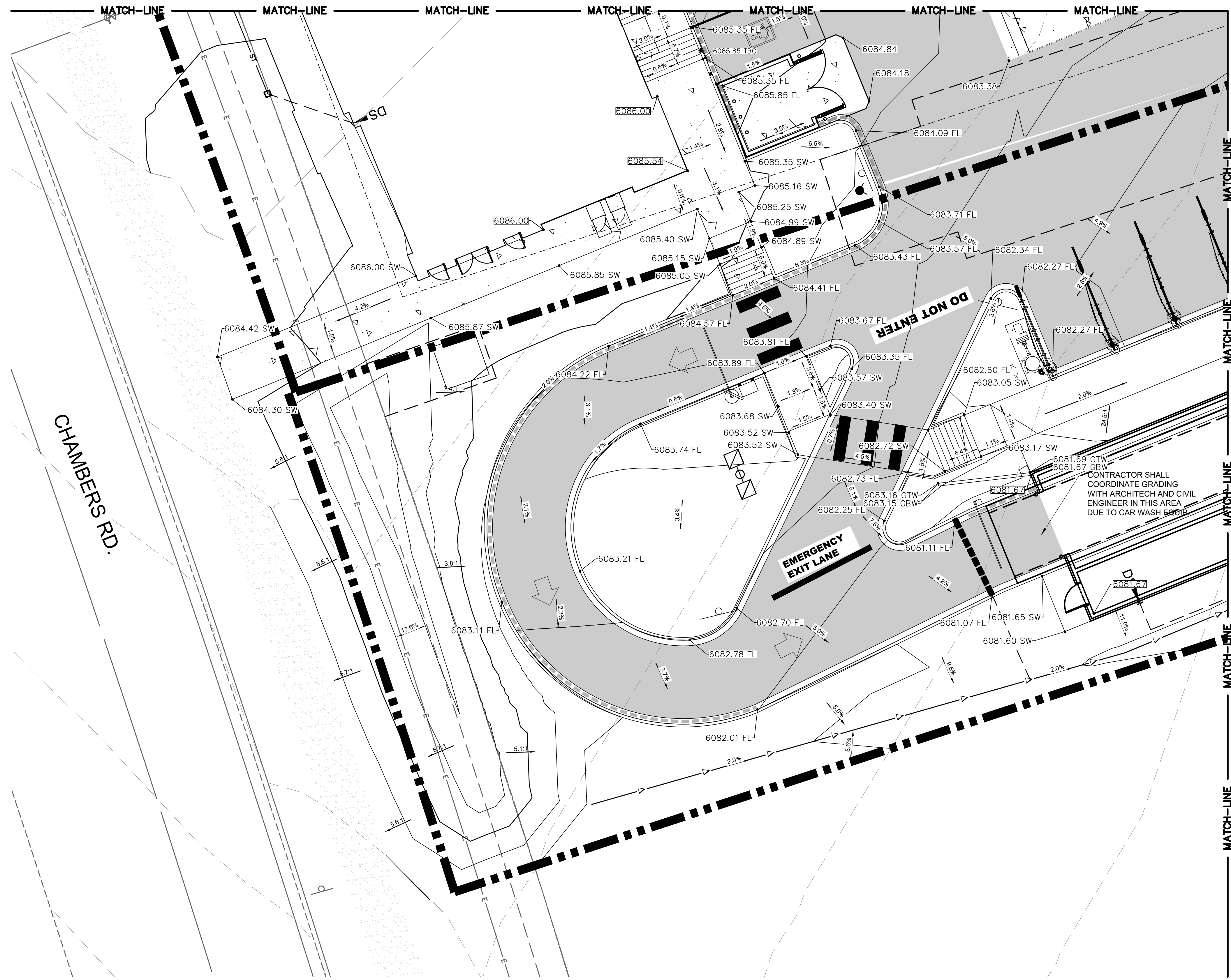
C2.2

TOWN OF PARKER, DIRECTOR OF ENGINEERING/PUBLIC WORKS

© 2021, ALL RIGHTS RESERVED.

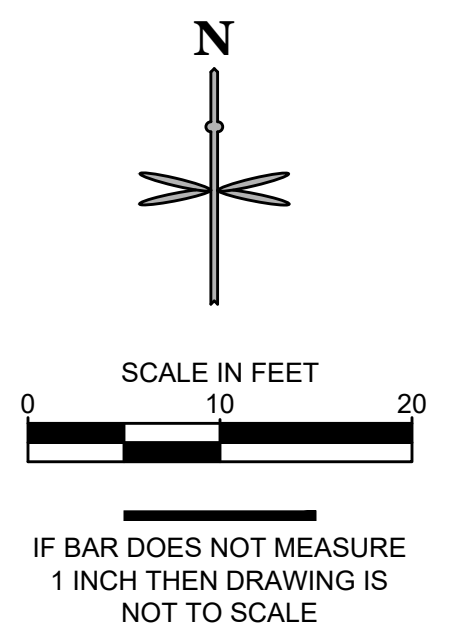
9/24/2021 2:53 PM P:\TWINSTAR ENERGY\CO. PARKER - CHAMBERS & HESS\08 CAD\SITE PLAN\LOT 1\GRADING PLAN.DWG

REFER TO SHEET
ENLARGED GRADING PLAN - NW



LEGEND

- PROPERTY LINE
- EXISTING CURB AND GUTTER
- PROPOSED CURB AND GUTTER
- PROPOSED SPILL CURB AND GUTTER
- PROPOSED FENCE
- PROPOSED RETAINING WALL
- PROPOSED MAJOR CONTOUR
- PROPOSED MINOR CONTOUR
- EXISTING MAJOR CONTOUR
- EXISTING MINOR CONTOUR
- 5256.21 PROPOSED FLOW LINE ELEVATION
- 5256.21 SW PROPOSED SIDEWALK ELEVATION
- 5256.21 ME PROPOSED GRADE TO MATCH EXISTING
- 5256.21 TBC PROPOSED TOP BACK OF CURB ELEVATION
- 5256.21 FG PROPOSED FINISHED GRADE ELEVATION
- 5256.21 PROPOSED EXTERIOR GRADE AT FOUNDATION
- FLOW ARROW AND GRADE
- TRASH ENCLOSURE PAD (SEE PAVING DETAILS ON SHEET C5.2).
- ONSITE ASPHALT DRIVE LANES AND PARKING AREAS (SEE PAVING DETAILS ON SHEET C5.2).
- ONSITE CONCRETE SIDEWALK (SEE DETAIL C6.0).



THE TOWN OF PARKER REVIEW CONSTITUTES GENERAL COMPLIANCE WITH THE TOWN'S STANDARDS AND APPROVED VARIANCES. SUBJECT TO THESE PLANS BEING STAMPED, SIGNED, AND DATED BY THE PROFESSIONAL ENGINEER OF RECORD. REVIEW BY THE TOWN DOES NOT CONSTITUTE APPROVAL OF THE PLAN DESIGN OR ACCURACY AND CORRECTNESS OF ENGINEERING CALCULATIONS. ERRORS IN THE DESIGN OR CALCULATIONS REMAIN THE RESPONSIBILITY OF THE REGISTERED PROFESSIONAL ENGINEER WHOSE STAMP AND SIGNATURE ARE AFFIXED TO THIS DOCUMENT. THIS REVIEW DOES NOT CONSTITUTE APPROVAL OF ANY PRIVATE ON-SITE IMPROVEMENTS WHICH MAY BE SHOWN. CONSTRUCTION CANNOT COMMENCE UNTIL ALL REQUIRED DRAINAGE/TRAFFIC REPORT(S), FINAL DEVELOPMENT PLAN(S), SPECIAL REVIEW(S), GRADING PERMIT, AND/OR OTHER PERMITS ARE COMPLETE, APPROVED AND ON FILE WITH THE TOWN OF PARKER.

BY	DATE

EES
ENGINEERING AND
SOLUTIONS, INC.
501 S Cherry St, Suite 300
Glendale, CO 80246
303-672-7997 www.ees.us.com

No.	REVISION

CONSTRUCTION DOCUMENTS
CONVENIENCE STORE
12181 AND 12191 SLICEROO DRIVE, PARKER, CO 80134
ENLARGED GRADING PLAN - SW

PROJECT NO: _____
DESIGNED BY: LCG
DRAWN BY: JLG
DATE: 09/21/2021

C2.3

811
Know what's below.
Call before you dig.

CALL UTILITY NOTIFICATION
CENTER OF COLORADO
1-800-922-1987 or 811

CALL 3-BUSINESS DAYS (NOT INCLUDING INITIAL DAY OF CONTACT) IN ADVANCE BEFORE YOU DIG, GRADE, OR EXCAVATE FOR THE MARKING OF UNDERGROUND MEMBER UTILITIES.

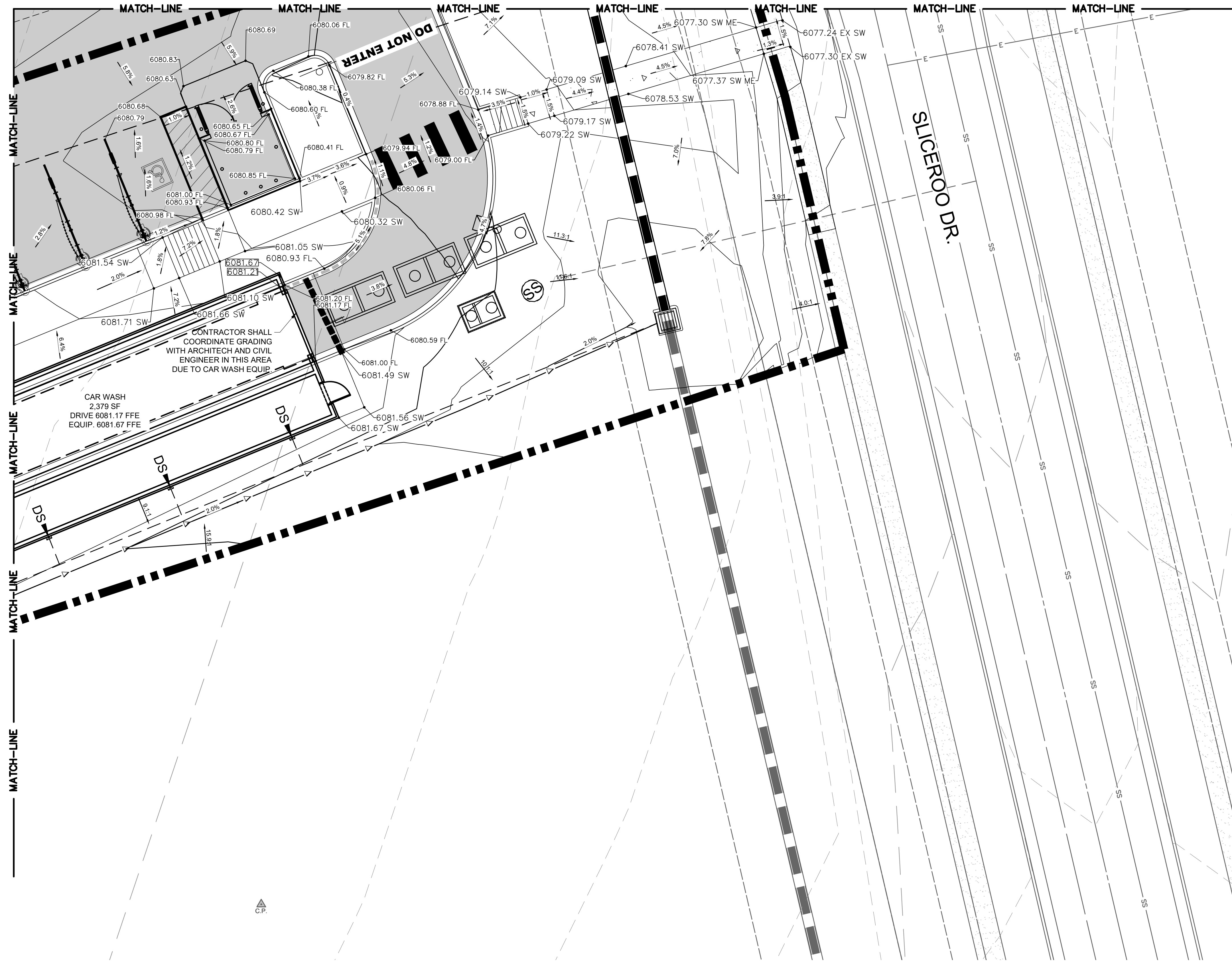
GRADING DETAIL - SOUTHWEST
1" = 10'

TOWN OF PARKER, _____ DATE
DIRECTOR OF ENGINEERING/PUBLIC WORKS



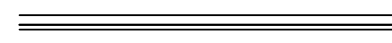

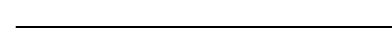

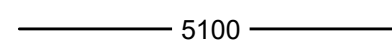
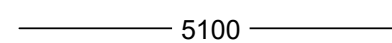


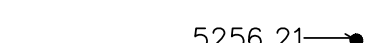
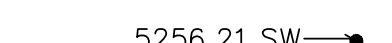


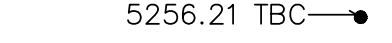
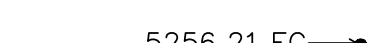

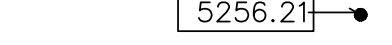


© 2021, ALL RIGHTS RESERVED.

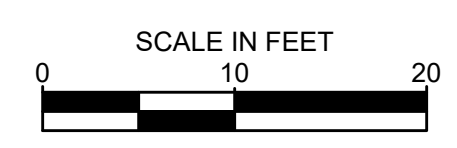
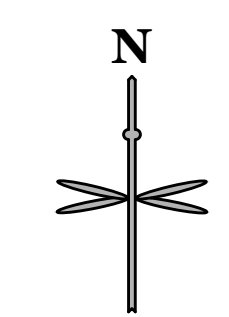
9/24/2021 2:53 PM P:\TWINSTAR ENERGY\CO. PARKER - CHAMBERS & HESS\08 CAD\SITE PLAN\LOT 1\GRADING PLAN.DWG

REFER TO SHEET
ENLARGED GRADING PLAN - NE



LEGEND

-  PROPERTY LINE
-  EXISTING CURB AND GUTTER
-  PROPOSED CURB AND GUTTER
-  PROPOSED SPILL CURB AND GUTTER
-  PROPOSED FENCE
-  PROPOSED RETAINING WALL
-  PROPOSED MAJOR CONTOUR
-  PROPOSED MINOR CONTOUR
-  EXISTING MAJOR CONTOUR
-  EXISTING MINOR CONTOUR
-  PROPOSED FLOW LINE ELEVATION
-  PROPOSED SIDEWALK ELEVATION
-  PROPOSED GRADE TO MATCH EXISTING
-  PROPOSED TOP BACK OF CURB ELEVATION
-  PROPOSED FINISHED GRADE ELEVATION
-  PROPOSED EXTERIOR GRADE AT FOUNDATION
-  FLOW ARROW AND GRADE
-  TRASH ENCLOSURE PAD (SEE PAVING DETAILS ON SHEET C5.2).
-  ONSITE ASPHALT DRIVE LANES AND PARKING AREAS (SEE PAVING DETAILS ON SHEET C5.2).
-  ONSITE CONCRETE SIDEWALK (SEE DETAIL C6.0).



IF BAR DOES NOT MEASURE
1 INCH THEN DRAWING IS
NOT TO SCALE

THE TOWN OF PARKER REVIEW CONSTITUTES GENERAL COMPLIANCE WITH THE TOWN'S STANDARDS AND APPROVED VARIANCES. SUBJECT TO THESE PLANS BEING STAMPED, SIGNED, AND DATED BY THE PROFESSIONAL ENGINEER OF RECORD. REVIEW BY THE TOWN DOES NOT CONSTITUTE APPROVAL OF THE PLAN DESIGN OR ACCURACY AND CORRECTNESS OF ENGINEERING CALCULATIONS. ERRORS IN THE DESIGN OR CALCULATIONS REMAIN THE RESPONSIBILITY OF THE REGISTERED PROFESSIONAL ENGINEER WHOSE STAMP AND SIGNATURE ARE AFFIXED TO THIS DOCUMENT. THIS REVIEW DOES NOT CONSTITUTE APPROVAL OF ANY PRIVATE ON-SITE IMPROVEMENTS WHICH MAY BE SHOWN. CONSTRUCTION CANNOT COMMENCE UNTIL ALL REQUIRED DRAINAGE/TRAFFIC REPORT(S), FINAL DEVELOPMENT PLAN(S), SPECIAL REVIEW(S), GRADING PERMIT, AND/OR OTHER PERMITS ARE COMPLETE, APPROVED AND ON FILE WITH THE TOWN OF PARKER.

NO.	REVISION	BY	DATE

EES
ENGINEERING AND
ENGINEERING
SOLUTIONS, INC.
501 S Cherry St, Suite 300
Glendale, CO 80246
303-672-7997 www.ees.us.com

CONSTRUCTION DOCUMENTS
CONVENIENCE STORE
12181 AND 12191 SLICEROO DRIVE, PARKER, CO 80134
ENLARGED GRADING PLAN - SE

PROJECT NO: _____
DESIGNED BY: LCG
DRAWN BY: JLG
DATE: 09/21/2021

C2.4

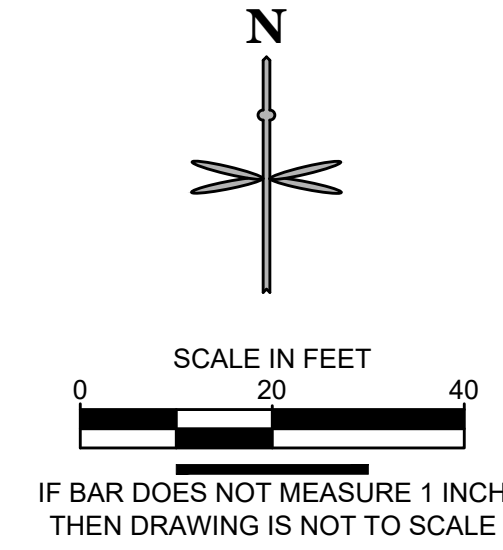
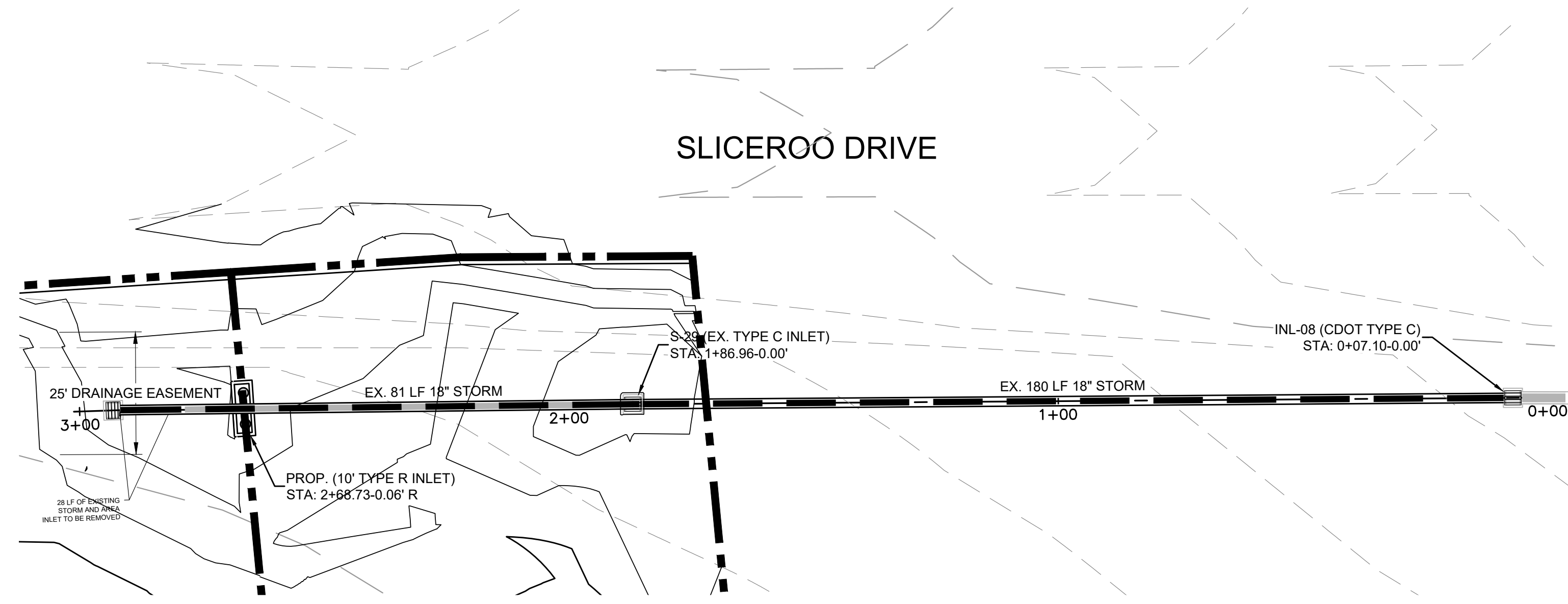
811
Know what's below.
Call before you dig.

CALL UTILITY NOTIFICATION
CENTER OF COLORADO
1-800-922-1987 or 811

CALL 3-BUSINESS DAYS (NOT INCLUDING INITIAL DAY OF CONTACT) IN ADVANCE BEFORE YOU DIG, GRADE, OR EXCAVATE FOR THE MARKING OF UNDERGROUND MEMBER UTILITIES.

GRADING DETAIL - SOUTHEAST
1" = 10'

TOWN OF PARKER, _____ DATE _____
DIRECTOR OF ENGINEERING/PUBLIC WORKS



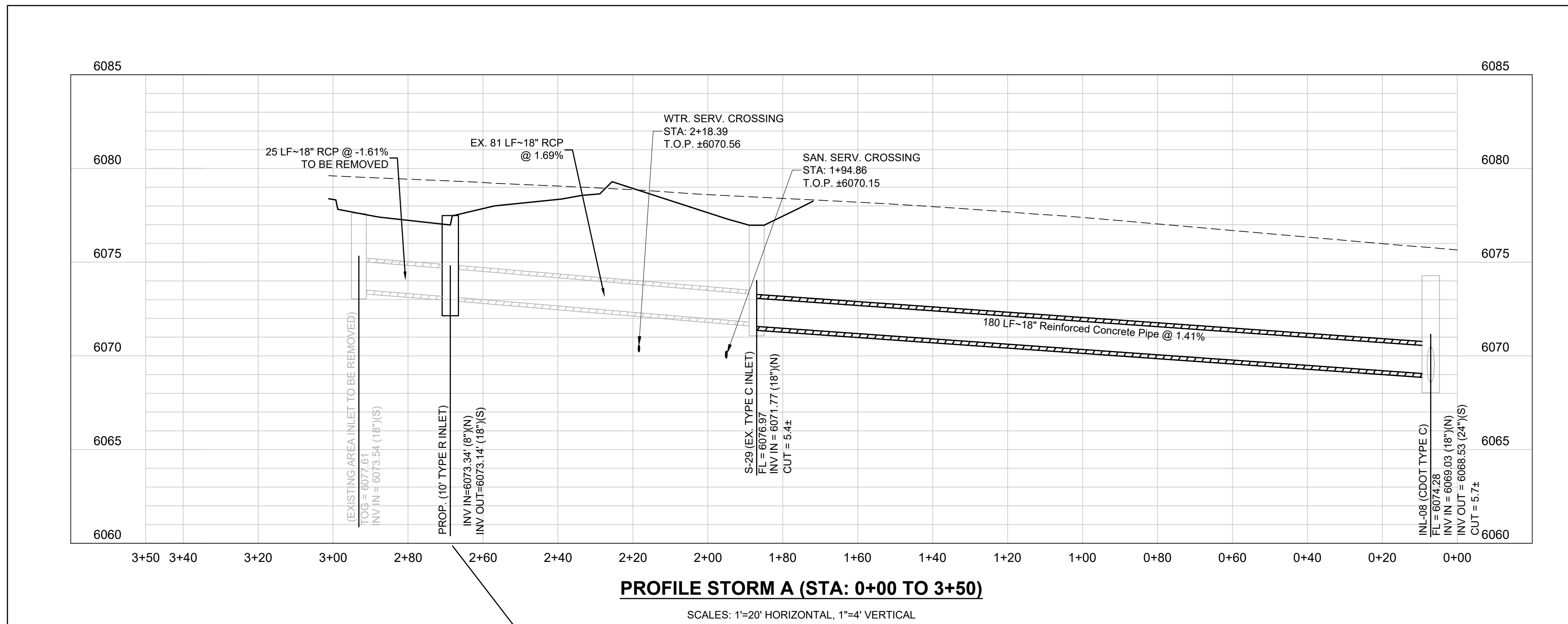
UTILITY LEGEND

- PROPOSED PROPERTY LINE
- EXISTING MINOR CONTOUR
- EXISTING MAJOR CONTOUR
- MINOR CONTOUR
- MAJOR CONTOUR
- CURB AND GUTTER

- PROPOSED SITE LIGHTING
- PROPOSED STORM INLET AND MANHOLE
- SANITARY SEWER CLEANOUT
- EXISTING FIRE HYDRANT
- EXISTING SANITARY/STORM MANHOLE
- PROPOSED 1" WATER METER
- PROPOSED GAS
- PROPOSED ELECTRIC
- PROPOSED SANITARY
- PROPOSED WATER
- EXISTING STORM SEWER
- EXISTING STORM INLET
- EXISTING GAS LINE
- EXISTING ELECTRIC LINE
- EXISTING SANITARY LINE
- EXISTING WATER LINE

UTILITY NOTES:

1. CONSTRUCT ALL WET UTILITIES IN ACCORDANCE WITH THE TOWN OF PARKER STANDARDS AND DETAILS.
2. ALL PROPOSED EASEMENTS MUST BE RECORDED PRIOR TO ISSUANCE OF CONSTRUCTION PERMITS.
3. THE MINIMUM SEPARATION BETWEEN WATERLINES, SANITARY SEWER AND STORM SEWER LINES IS 3 FEET.
4. THE MINIMUM SEPARATION BETWEEN WATER SERVICE LINES IS 3 FEET.
5. THE SITE IS LOCATED WITHIN THE TOWN OF PARKER WATER PRESSURE ZONE.
6. THE CONTRACTOR SHALL NOTIFY ENGINEER AND FIELD VERIFY TYPE, SIZE, AND LOCATION OF EXISTING UTILITIES PRIOR TO UTILITY CONSTRUCTION.
7. THE CONTRACTOR SHALL NOTIFY THE TOWN OF PARKER OF ANY WORK THAT IS REQUIRED SHUTDOWN OR INTERRUPTION OF SERVICE OF EXISTING WATER MAINS TWO WEEKS PRIOR TO THE PROPOSED SHUTDOWN OR INTERRUPTION UNLESS OTHERWISE APPROVED BY THE UTILITIES DEPARTMENT.



CONTRACTOR NOTE:

EX. PIPE DATA SHOWN WAS OBTAINED FORM RICK ENGINEERING ON 10/23/2020, SHEET 21-23. DATA IS NOT "AS CONSTRUCTED", AND CONTRACTOR SHALL VERIFY DATA PRIOR TO ORDERING AND INSTALLING OF PROPOSED TYPE R INLETS.

SEE ENLARGED GRADING PLAN FOR TBC ELEVATIONS AT FRONT CORNERS OF INLET.



Know what's below.
Call before you dig.

CALL UTILITY NOTIFICATION
CENTER OF COLORADO
1-800-922-1987 or 811

CALL 3-BUSINESS DAYS (NOT INCLUDING INITIAL DAY OF CONTACT) IN ADVANCE BEFORE YOU DIG, GRADE, OR EXCAVATE FOR THE MARKING OF UNDERGROUND MEMBER UTILITIES.

THE TOWN OF PARKER REVIEW CONSTITUTES GENERAL COMPLIANCE WITH THE TOWN'S STANDARDS AND APPROVED VARIANCES, SUBJECT TO THESE PLANS BEING STAMPED, SIGNED, AND DATED BY THE PROFESSIONAL ENGINEER OF RECORD. REVIEW BY THE TOWN DOES NOT CONSTITUTE APPROVAL OF THE PLAN DESIGN OR ACCURACY AND CORRECTNESS OF ENGINEERING CALCULATIONS. ERRORS IN THE DESIGN OR CALCULATIONS REMAIN THE RESPONSIBILITY OF THE REGISTERED PROFESSIONAL ENGINEER WHOSE STAMP AND SIGNATURE ARE AFFIXED TO THIS DOCUMENT. THIS REVIEW DOES NOT CONSTITUTE APPROVAL OF ANY PRIVATE ON-SITE IMPROVEMENTS WHICH MAY BE SHOWN. CONSTRUCTION CANNOT COMMENCE UNTIL ALL REQUIRED DRAINAGE/TRAFFIC REPORT(S), FINAL DEVELOPMENT PLAN(S), SPECIAL REVIEW(S), GRADING PERMIT, AND/OR OTHER PERMITS ARE COMPLETE, APPROVED AND ON FILE WITH THE TOWN OF PARKER.

TOWN OF PARKER, _____ DATE _____
DIRECTOR OF ENGINEERING/PUBLIC WORKS

No.	REVISION	BY	DATE



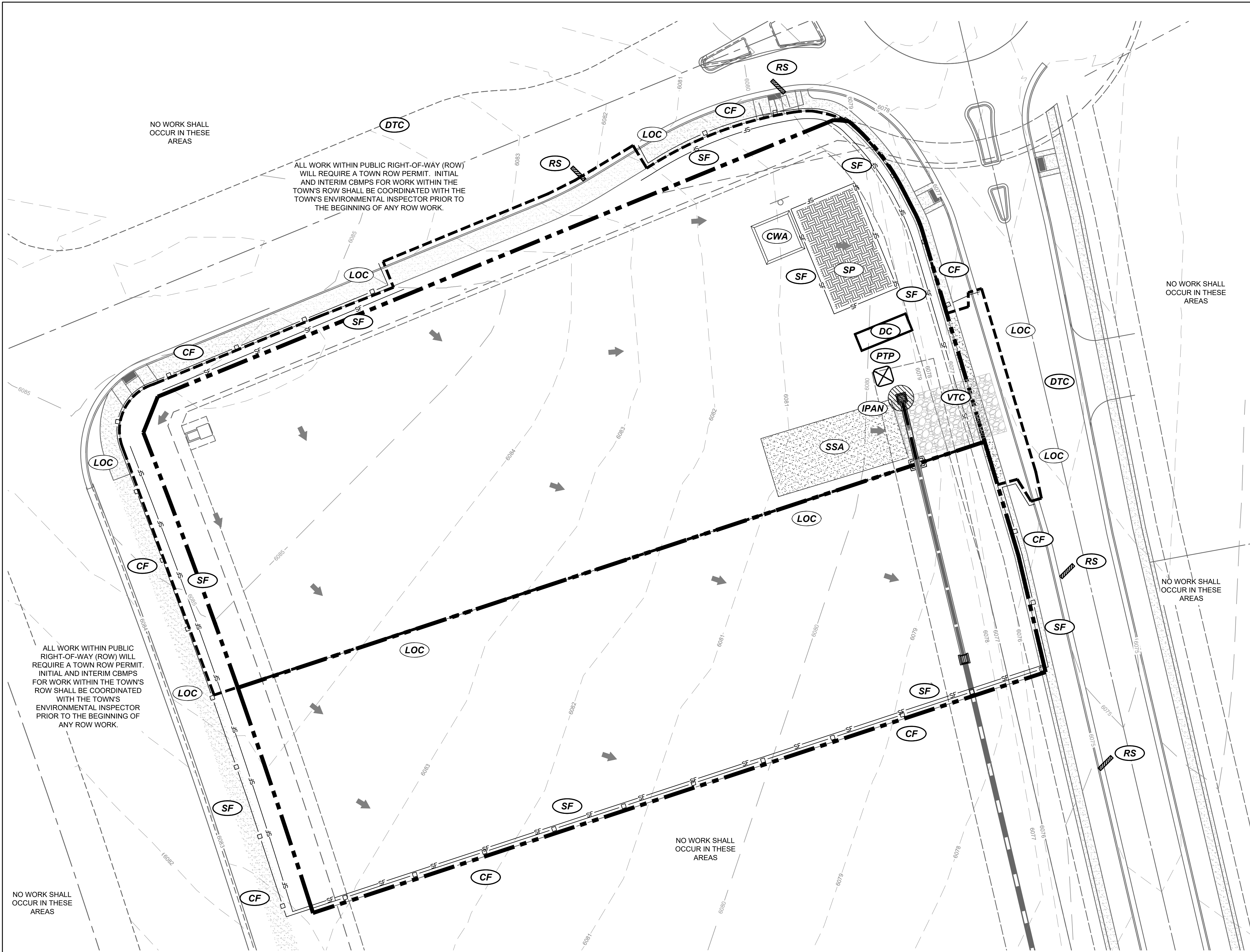
CONSTRUCTION DOCUMENTS
CONVENIENCE STORE
12181 AND 12191 SLICEROO DRIVE, PARKER, CO 80134
STORM PLAN AND PROFILE

PROJECT NO: _____
DESIGNED BY: LCG
DRAWN BY: JLG
DATE: 09/21/2021

C3.0

© 2021, ALL RIGHTS RESERVED.

9/24/2021 2:54 PM P:\TWINSTAR ENERGY\CO, PARKER - CHAMBERS & HESS\08 CAD\CADSL01-1\C4.0 - EROSION CONTROL PLAN.DWG



EROSION CONTROL LEGEND

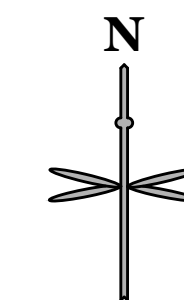
- PROPERTY BOUNDARY
- SF** SILT FENCE
- CF** CONSTRUCTION FENCE
- VTC** VEHICLE TRACKING CONTROL
- SSA** STABILIZED STAGING AREA
- SP** STOCKPILE AREA
- DC** SITE DUMPSTER
- RS** ROCK SOCK
- CWA** CONCRETE WASHOUT
- SCL** SEDIMENT CONTROL LOG
- LOC** LIMITS OF CONSTRUCTION
- PTP** PORTABLE TOILET PROTECTION
- IPAN** INLET PROTECTION FOR AREA INLETS NOT IN PAVEMENT
- PCOG** INLET PROTECTION, CURB ON-GRADE, TYPE R INLET
- DTC** DEBRIS TRASH CONTROL
- ECB** EROSION CONTROL BLANKET
- FLOW ARROW

NOTES:

1. SEE THIS CONSTRUCTION DOCUMENT SET AND/OR TOWN OF PARKER WEBSITE, [HTTP://WWW.PARKERONLINE.ORG/532/CONSTRUCTION-BEST-MANAGEMENT-PRACTICES](http://WWW.PARKERONLINE.ORG/532/CONSTRUCTION-BEST-MANAGEMENT-PRACTICES), FOR STANDARD NOTES AND BMP DETAILS.
2. BMPs ON INITIAL PLAN TO BE INSTALLED PRIOR TO CONSTRUCTION AND REMAIN UNTIL STABILIZATION UNLESS OTHERWISE NOTED.
3. PORTABLE TOILETS MAY BE LOCATED AS NEEDED BY THE CONTRACTOR WITH PROPER PROTECTION PER TOWN OF PARKER STANDARDS.
4. SURFACE ROUGHENING WILL BE IMPLEMENTED ON DISTURBED SLOPES AS NEEDED.
5. ALL TOPSOIL IS REQUIRED PER THE TOWN OF PARKER REGULATIONS TO BE STOCKPILED ONCE STRIPPED AND RE-USED DURING FINAL STABILIZATION SEEDING TO PROMOTE GERMINATION AND RE-GROWTH.
6. CONTRACTOR TO PLACE TRENCH SOILS ON THE UPHILL SIDE OF THE TRENCH.
7. CONSTRUCTION TRAFFIC TO UTILIZE PRIVATE DRIVE. PUBLIC ACCESS ROUTE TO THE SOUTH SHALL BE INSPECTED PRIOR TO THE START OF ANY CONSTRUCTION. ANY DAMAGE TO THE ACCESS SHALL BE THE RESPONSIBILITY OF THE CONTRACTOR AND SHALL BE REPAIRED AND OR REPLACED PRIOR TO THE ISSUANCE OF THE CERTIFICATE OF OCCUPANCY. NOTE, IF NOT INSPECTED AND IDENTIFIED, ANY DAMAGE MAY HOLD UP ISSUANCE OF A CERTIFICATE OF OCCUPANCY UNTIL OFF-SITE (PUBLIC ACCESS) CONDITION IS ACCEPTABLE TO THAT PROPERTY OWNER.
8. LOT PROTECTION (LP) IS REQUIRED ON COMMERCIAL LOTS WHEN LANDSCAPING IS NOT POSSIBLE.

THE TOWN OF PARKER REVIEW CONSTITUTES GENERAL COMPLIANCE WITH THE TOWN'S STANDARDS AND APPROVED VARIANCES, SUBJECT TO THESE PLANS BEING STAMPED, SIGNED, AND DATED BY THE PROFESSIONAL ENGINEER OF RECORD. REVIEW BY THE TOWN DOES NOT CONSTITUTE APPROVAL OF THE PLAN DESIGN OR ACCURACY AND CORRECTNESS OF ENGINEERING CALCULATIONS. ERRORS IN THE DESIGN OR CALCULATIONS REMAIN THE RESPONSIBILITY OF THE REGISTERED PROFESSIONAL ENGINEER WHOSE STAMP AND SIGNATURE ARE AFFIXED TO THIS DOCUMENT. THIS REVIEW DOES NOT CONSTITUTE APPROVAL OF ANY PRIVATE ON-SITE IMPROVEMENTS WHICH MAY BE SHOWN. CONSTRUCTION CANNOT COMMENCE UNTIL ALL REQUIRED DRAINAGE/TRAFFIC REPORT(S), FINAL DEVELOPMENT PLAN(S), SPECIAL REVIEW(S), GRADING PERMIT, AND/OR OTHER PERMITS ARE COMPLETE, APPROVED AND ON FILE WITH THE TOWN OF PARKER.

TOWN OF PARKER, DIRECTOR OF ENGINEERING/PUBLIC WORKS DATE



IF BAR DOES NOT MEASURE 1 INCH THEN DRAWING IS NOT TO SCALE



CALL UTILITY NOTIFICATION CENTER OF COLORADO
1-800-922-1987 or 811

Know what's below. Call before you dig.

CALL 3-BUSINESS DAYS (NOT INCLUDING INITIAL DAY OF CONTACT) IN ADVANCE BEFORE YOU DIG, GRADE, OR EXCAVATE FOR THE MARKING OF UNDERGROUND MEMBER UTILITIES.

NO.	REVISION	BY	DATE

EES
ENGINEERING SOLUTIONS, INC.
501 S Cherry St, Suite 300
Glendale, CO 80246
303-672-7997 www.ees-us.com

CONSTRUCTION DOCUMENTS
CARWASH
INITIAL CBMP PLAN

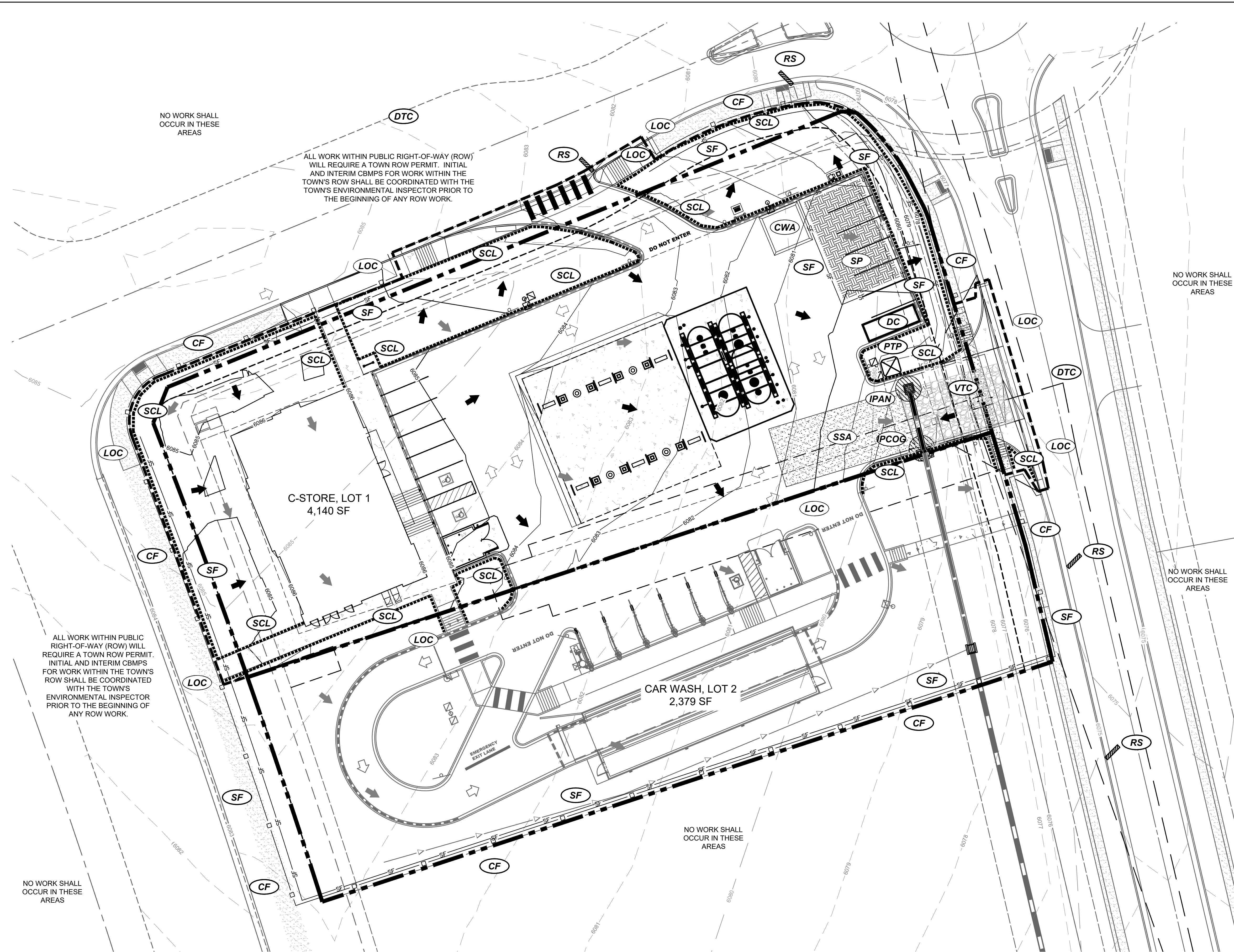
12181 AND 12191 SLICEROO DRIVE, PARKER, CO 80134

PROJECT NO: _____
DESIGNED BY: LCG
DRAWN BY: JLG
DATE: 9/21/2021

C4.0

© 2021, ALL RIGHTS RESERVED.

9/24/2021 2:54 PM P:\TWINSTAR ENERGY\CO, PARKER - CHAMBERS & HESS\88 CAD\CDS\LOT 1\C4.0 - EROSION CONTROL PLAN.DWG



NO WORK SHALL OCCUR IN THESE AREAS

ALL WORK WITHIN PUBLIC RIGHT-OF-WAY (ROW) WILL REQUIRE A TOWN ROW PERMIT. INITIAL AND INTERIM CBMPS FOR WORK WITHIN THE TOWN'S ROW SHALL BE COORDINATED WITH THE TOWN'S ENVIRONMENTAL INSPECTOR PRIOR TO THE BEGINNING OF ANY ROW WORK.

C-STORE, LOT 1
4,140 SF

CAR WASH, LOT 2
2,379 SF

ALL WORK WITHIN PUBLIC RIGHT-OF-WAY (ROW) WILL REQUIRE A TOWN ROW PERMIT. INITIAL AND INTERIM CBMPS FOR WORK WITHIN THE TOWN'S ROW SHALL BE COORDINATED WITH THE TOWN'S ENVIRONMENTAL INSPECTOR PRIOR TO THE BEGINNING OF ANY ROW WORK.

NO WORK SHALL OCCUR IN THESE AREAS

NO WORK SHALL OCCUR IN THESE AREAS

NO WORK SHALL OCCUR IN THESE AREAS

NO WORK SHALL OCCUR IN THESE AREAS

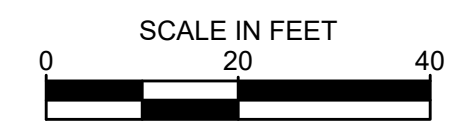
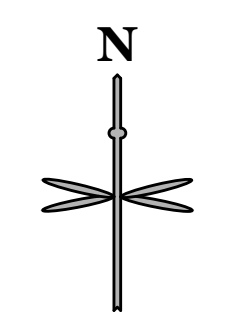
EROSION CONTROL LEGEND

- PROPERTY BOUNDARY
- SILT FENCE
- CONSTRUCTION FENCE
- VEHICLE TRACKING CONTROL
- STABILIZED STAGING AREA
- STOCKPILE AREA
- SITE DUMPSTER
- ROCK SOCK
- CONCRETE WASHOUT
- SEDIMENT CONTROL LOG
- LIMITS OF CONSTRUCTION
- PORTABLE TOILET PROTECTION
- INLET PROTECTION FOR AREA INLETS NOT IN PAVEMENT
- INLET PROTECTION, CURB ON-GRADE, TYPE R INLET
- DEBRIS TRASH CONTROL
- EROSION CONTROL BLANKET
- FLOW ARROW

NOTES:

- SEE THIS CONSTRUCTION DOCUMENT SET AND/OR TOWN OF PARKER WEBSITE. [HTTP://WWW.PARKERONLINE.ORG/532/CONSTRUCTION-BEST-MANAGEMENT-PRACTICES](http://www.parkeronline.org/532/CONSTRUCTION-BEST-MANAGEMENT-PRACTICES), FOR STANDARD NOTES AND BMP DETAILS.
- BMPs ON INITIAL PLAN TO BE INSTALLED PRIOR TO CONSTRUCTION AND REMAIN UNTIL STABILIZATION UNLESS OTHERWISE NOTED.
- PORTABLE TOILETS MAY BE LOCATED AS NEEDED BY THE CONTRACTOR WITH PROPER PROTECTION PER TOWN OF PARKER STANDARDS.
- SURFACE ROUGHENING WILL BE IMPLEMENTED ON DISTURBED SLOPES AS NEEDED.
- ALL TOPSOIL IS REQUIRED PER THE TOWN OF PARKER REGULATIONS TO BE STOCKPILED ONCE STRIPPED AND RE-USED DURING FINAL STABILIZATION SEEDING TO PROMOTE GERMINATION AND RE-GROWTH.
- CONTRACTOR TO PLACE TRENCH SOILS ON THE UPHILL SIDE OF THE TRENCH.
- CONSTRUCTION TRAFFIC TO UTILIZE PRIVATE DRIVE. PUBLIC ACCESS ROUTE TO THE SOUTH SHALL BE INSPECTED PRIOR TO THE START OF ANY CONSTRUCTION. ANY DAMAGE TO THE ACCESS SHALL BE THE RESPONSIBILITY OF THE CONTRACTOR AND SHALL BE REPAIRED AND OR REPLACED PRIOR TO THE ISSUANCE OF THE CERTIFICATE OF OCCUPANCY. NOTE, IF NOT INSPECTED AND IDENTIFIED, ANY DAMAGE MAY HOLD UP ISSUANCE OF A CERTIFICATE OF OCCUPANCY UNTIL OFF-SITE (PUBLIC ACCESS) CONDITION IS ACCEPTABLE TO THAT PROPERTY OWNER.
- LOT PROTECTION (LP) IS REQUIRED ON COMMERCIAL LOTS WHEN LANDSCAPING IS NOT POSSIBLE.

THE TOWN OF PARKER REVIEW CONSTITUTES GENERAL COMPLIANCE WITH THE TOWN'S STANDARDS AND APPROVED VARIANCES. SUBJECT TO THESE PLANS BEING STAMPED, SIGNED, AND DATED BY THE PROFESSIONAL ENGINEER OF RECORD. REVIEW BY THE TOWN DOES NOT CONSTITUTE APPROVAL OF THE PLAN DESIGN OR ACCURACY AND CORRECTNESS OF ENGINEERING CALCULATIONS. ERRORS IN THE DESIGN OR CALCULATIONS REMAIN THE RESPONSIBILITY OF THE REGISTERED PROFESSIONAL ENGINEER WHOSE STAMP AND SIGNATURE ARE AFFIXED TO THIS DOCUMENT. THIS REVIEW DOES NOT CONSTITUTE APPROVAL OF ANY PRIVATE ON-SITE IMPROVEMENTS WHICH MAY BE SHOWN. CONSTRUCTION CANNOT COMMENCE UNTIL ALL REQUIRED DRAINAGE/TRAFFIC REPORT(S), FINAL DEVELOPMENT PLAN(S), SPECIAL REVIEW(S), GRADING PERMIT, AND/OR OTHER PERMITS ARE COMPLETE, APPROVED AND ON FILE WITH THE TOWN OF PARKER.



IF BAR DOES NOT MEASURE 1 INCH THEN DRAWING IS NOT TO SCALE

811
Know what's below.
Call before you dig.

CALL UTILITY NOTIFICATION CENTER OF COLORADO
1-800-922-1987 or 811

CALL 3-BUSINESS DAYS (NOT INCLUDING INITIAL DAY OF CONTACT) IN ADVANCE BEFORE YOU DIG, GRADE, OR EXCAVATE FOR THE MARKING OF UNDERGROUND MEMBER UTILITIES.

NO.	REVISION	BY	DATE

EES
ENGINEERING & ENVIRONMENTAL SOLUTIONS, INC.
501 S Cherry St, Suite 300
Glen Dale, CO 80246
303-672-7997 www.ees-us.com

CONSTRUCTION DOCUMENTS
CONVENIENCE STORE
12181 AND 12191 SLICEROO DRIVE, PARKER, CO 80134
INTERM & FINAL CBMP PLAN

PROJECT NO: _____
DESIGNED BY: LCG
DRAWN BY: JLG
DATE: 09/21/2021

C4.1

TOWN OF PARKER, DIRECTOR OF ENGINEERING/PUBLIC WORKS _____ DATE _____

- NO CHANGES ARE TO BE MADE TO THIS DRAWING WITHOUT WRITTEN PERMISSION OF THE TOWN OF PARKER.
- GRADING, DRILLING, CLEARING, EXCAVATING, BACK-FILLING, SOIL STRIPPING, SOIL IMPORTING EXPORTING WATER OR ANY OTHER FORM OF DISTURBANCE SHALL NOT COMMENCE UNTIL A TOWN OF PARKER GRADING/EXCAVATION PERMIT HAS BEEN ISSUED.
 - THE TOWN OF PARKER GRADING/EXCAVATION PERMIT IS VALID FOR A PERIOD OF 2 YEARS FROM THE DATE OF ISSUANCE. ANY Lapse IN PERMIT COVERAGE MAY RESULT IN THE ISSUANCE OF A STOP WORK ORDER AND/OR FINES.
 - ALL EROSION AND SEDIMENT CONTROL BMPs SHALL BE INSTALLED ACCORDING TO THE CBMP PLAN INSTALLATION NOTES AND DETAILS AND/OR PERMITTED VARIANCES. ALL MATERIALS, WORKMANSHIP AND INSTALLATION METHODS ARE SUBJECT TO INSPECTION BY THE TOWN'S INSPECTOR. THE TOWN OF PARKER RESERVES THE RIGHT TO ACCEPT OR REJECT ANY SUCH MATERIALS, WORKMANSHIP AND/OR INSTALLATION METHODS THAT DO NOT CONFORM TO THE CBMP PLAN AND/OR PERMITTED VARIANCES.
 - THE EROSION CONTROL SUPERVISOR SHALL REVISE OR MODIFY THE EROSION AND SEDIMENT CONTROL MEASURES IF IT BECOMES APPARENT THAT THE ORIGINAL PLAN IS INADEQUATE, OR AS A RESULT OF DEFICIENCIES IDENTIFIED DURING INSPECTIONS PERFORMED BY THE TOWN'S INSPECTOR.
 - THE INSTALLATION OF ADDITIONAL EROSION AND SEDIMENT CONTROL BEST MANAGEMENT PRACTICES (BMPs) MAY BE REQUIRED OF THE EROSION CONTROL SUPERVISOR, PROPERTY OWNER, SITE DEVELOPER, CONTRACTOR AND/OR THEIR AUTHORIZED AGENTS AT ANY TIME THROUGHOUT THE DURATION OF THE PROJECT CONSTRUCTION AND/OR SUBSEQUENT REVEGETATION PERIOD.
 - THE EROSION CONTROL SUPERVISOR SHALL BE RESPONSIBLE FOR ENSURING THAT THE SITE REMAINS IN COMPLIANCE WITH THE NOTICE OF NUISANCE REPORTS (a.k.a. CONSTRUCTION SITE RUNOFF CONTROL INSPECTION REPORTS), APPROVED CBMP PLAN(S) AND THE TOWN OF PARKER STORM DRAINAGE AND ENVIRONMENTAL CRITERIA MANUAL.
 - THE EROSION CONTROL SUPERVISOR SHALL BE READILY AVAILABLE TO DISCUSS AND CORRECT ANY PROBLEMS THAT MAY ARISE RELATING TO GRADING, EROSION AND SEDIMENT CONTROL.
 - IF IT IS ANTICIPATED THAT ALL OR A PORTION OF THE PROJECT WILL OCCUR DURING SEASONS SUSCEPTIBLE TO SNOWFALL, THE USE OF CERTAIN EROSION AND SEDIMENT CONTROL BMPs ADJACENT TO PUBLIC ROADWAYS MAY NEED TO BE RECONSIDERED DUE TO THE NATURE OF SNOW REMOVAL OPERATIONS. AN APPROVED ALTERNATIVE MAY BE NECESSARY TO MINIMIZE DAMAGE FROM THESE OPERATIONS. THE TOWN OF PARKER ASSUMES NO RESPONSIBILITY FOR DAMAGE TO ANY BMPs AS A RESULT OF SNOW PLOWING AND SNOW REMOVAL.
 - AREAS OF LAND DISTURBANCE EQUAL TO 40 ACRES OR GREATER SHALL NOT BE EXPOSED FOR MORE THAN 30 CONSECUTIVE DAYS WITHOUT TEMPORARY OR PERMANENT STABILIZATION.
 - AUTHORIZED EXEMPTIONS MAY BE ALLOWED TO THE 40-ACRE LIMIT FOR REMOVAL AND STORAGE OF CUT MATERIAL WHERE (A) GEOTECHNICAL LIMITATIONS RESTRICT THE USE OF TEMPORARY OR PERMANENT STABILIZATION OF THE STORED MATERIAL (E.G., SWELLING SOILS, ROCK) AND (B) WHEN THE OWNER CAN DEMONSTRATE THAT THE 40-ACRE LIMIT IS PHYSICALLY AND/OR FINANCIALLY IMPRACTICABLE. FOR SITES GRANTED THIS EXEMPTION, A PHASING AND EARTHWORK QUANTITIES PLAN SHALL BE SUBMITTED TO THE PUBLIC WORKS DEPARTMENT AND APPROVED PRIOR TO THE COMMENCEMENT OF LAND DISTURBANCE ACTIVITIES. SUBMITTAL REQUIREMENTS INCLUDE:
 - PHASING PLAN SHOWING CUT AND FILL VOLUMES AND LOCATIONS FOR EACH PHASE AND PROJECT TOTALS.
 - EARTHWORK QUANTITY PLAN SHOWING CUT AND FILL VOLUMES AND LOCATIONS FOR EACH PHASE AND PROJECT TOTALS.
 - BMP PLAN SHOWING SPECIFIC EROSION AND SEDIMENT CONTROLS FOR EACH PHASE.

CBMP CONSTRUCTION BEST MANAGEMENT PRACTICES
 GEN NOTES 1 OF 4 Oct. 2013

- NO CHANGES ARE TO BE MADE TO THIS DRAWING WITHOUT WRITTEN PERMISSION OF THE TOWN OF PARKER.
- ANY EROSION AND SEDIMENT CONTROL BMPs THAT ARE DAMAGED OR IN NEED OF MAINTENANCE OR REPLACEMENT SHALL BE CORRECTED AS SOON AS POSSIBLE, IMMEDIATELY IN MOST CASES.
 - ALL DEFICIENCIES LISTED ON THE NOTICE OF NUISANCE FORM SHALL BE COMPLETED AS SOON AS POSSIBLE, IMMEDIATELY IN MOST CASES. ALL REQUIRED ACTIONS MUST BE IN THE CORRECTED FORM DURING THE FOLLOW-UP INSPECTION.
 - THE EROSION CONTROL SUPERVISOR IS RESPONSIBLE FOR ENSURING THAT ALL STREETS, CURBS, GUTTERS, SIDEWALKS, DRIVEWAYS, PARKING LOTS, ALLEYS, TRICKLE CHANNELS, AND/OR OTHER IMPERVIOUS SURFACES IMPACTED BY CONSTRUCTION ACTIVITIES ARE THOROUGHLY CLEANED THROUGHOUT THE DAY IF THEY BECOME SOILED. THESE AREAS MUST ALSO BE THOROUGHLY CLEAN BEFORE THE END OF THE WORK DAY.
 - BULK STORAGE STRUCTURES FOR PETROLEUM PRODUCTS AND OTHER CHEMICALS SHALL HAVE ADEQUATE PROTECTION SO AS TO CONTAIN ALL SPILLS AND PREVENT ANY SPILLED MATERIAL FROM ENTERING STATE WATERS.
 - ALL TRASH RECEPTACLES ON SITE SHALL BE FREE OF HOLES, CRACKS, GAPS, AND/OR OTHER PERMEABLE AREAS THAT MAY ALLOW FOR THE DISCHARGE OF POLLUTANTS.
 - ALL TRASH RECEPTACLES ON SITE SHALL BE EMPTIED AT A FREQUENCY AS TO ENSURE THAT THE TRASH REMAINS CONFINED TO THE RECEPTACLE.
 - ALL LOOSE TRASH AND LITTER ASSOCIATED WITH THE PROJECT MUST BE REMOVED AND PROPERLY DISCARDED ON A DAILY BASIS.
 - ALL PORTABLE TOILETS SHALL BE STAKED DOWN AT ALL TIMES USING U-SHAPED REBAR STAKES. THE PORTABLE TOILETS SHALL ALSO BE PLACED A MINIMUM DISTANCE OF 10 FEET FROM ALL IMPERVIOUS SURFACES, INCLUDING, BUT NOT LIMITED TO STREETS CURBS, GUTTERS, SIDEWALKS AND PARKING LOTS.
 - THE EROSION CONTROL SUPERVISOR SHALL MAINTAIN STRICT ADHERENCE TO THE LIMITS OF CONSTRUCTION AND PROPERTY LIMITS FOR ALL MATERIALS, VEHICLES AND EQUIPMENT. FAILURE TO ABIDE BY THIS REQUIREMENT MAY RESULT IN THE ISSUANCE OF A STOP WORK ORDER.
 - ALL CONSTRUCTION TRAFFIC MUST ENTER AND EXIT THE SITE THROUGH THE APPROVED ACCESS POINT(S). A VEHICLE TRACKING CONTROL PAD IS REQUIRED AT ALL APPROVED ACCESS POINTS TO THE SITE. EXCEPTIONS MAY BE CONSIDERED FOR CONSTRUCTION ACTIVITY OCCURRING IMMEDIATELY ADJACENT TO PAVED AREAS AND WHERE ALTERNATIVE BMPs ARE IMPLEMENTED. SUCH ACTIVITY MAY INCLUDE, BUT NOT BE LIMITED TO RESIDENTIAL CONSTRUCTION, UTILITY CONSTRUCTION, ETC.
 - NO PERMANENT SLOPES GREATER THAN 3:1 ARE ALLOWED.
 - ALL PERMANENT SLOPES STEEPER THAN 4:1 (HORIZONTAL TO VERTICAL) SHALL REQUIRE EROSION CONTROL BLANKET(S). TEMPORARY SLOPES IN TEMPORARY SEDIMENT BASINS THAT ARE STEEPER THAN 4:1 MAY REQUIRE EROSION CONTROL BLANKETS.
 - THE EROSION CONTROL SUPERVISOR SHALL BE RESPONSIBLE FOR CORRECTING ANY ADVERSE IMPACTS THAT OCCUR TO NEIGHBORING PROPERTIES. THE EROSION CONTROL SUPERVISOR MUST OBTAIN PERMISSION FROM LAND OWNERS PRIOR TO ENTERING SUCH PROPERTY.
 - A WATER SOURCE SHALL BE AVAILABLE ONSITE DURING CONSTRUCTION ACTIVITIES, AND UTILIZED TO MINIMIZE FUGITIVE DUST. ALTERNATIVE BMPs MAY BE REQUIRED IF INITIAL ATTEMPTS TO SUPPRESS DUST ARE UNSUCCESSFUL.

CBMP CONSTRUCTION BEST MANAGEMENT PRACTICES
 GEN NOTES 2 OF 4 Oct. 2013

- NO CHANGES ARE TO BE MADE TO THIS DRAWING WITHOUT WRITTEN PERMISSION OF THE TOWN OF PARKER.
- ALL CHEMICAL OR HAZARDOUS MATERIAL SPILLS, INCLUDING CONCRETE WASHOUT WATER, WHICH MAY ENTER WATERS OF THE STATE OF COLORADO, WHICH INCLUDES BUT ARE NOT LIMITED TO, SURFACE WATER, GROUND WATER, DRY GULLIES OR STORM SEWERS LEADING TO SURFACE WATER, SHALL BE IMMEDIATELY REPORTED TO THE COLORADO DEPARTMENT OF PUBLIC HEALTH AND ENVIRONMENT (CDPHE) PER 25-8-601, AND THE TOWN OF PARKER. RELEASES OF PETROLEUM PRODUCTS AND CERTAIN HAZARDOUS SUBSTANCES LISTED UNDER THE FEDERAL CLEAN WATER ACT (40 CFR PART 116) MUST BE REPORTED TO THE NATIONAL RESPONSE CENTER AND THE CDPHE. SPILLS THAT POSE AN IMMEDIATE SAFETY HAZARD SHALL BE REPORTED TO 911.
 - THE CLEANING OF CONCRETE TRUCKS AND EQUIPMENT IS RESTRICTED TO THE APPROVED CONCRETE WASHOUT LOCATION ON THE JOB SITE. CONCRETE WASH WATER SHALL NOT BE DISCHARGED TO STATE WATERS OR STORM SEWER SYSTEMS.
 - VEHICLE AND EQUIPMENT DEGREASING IS PROHIBITED ON THE JOB SITE.
 - ALL DEWATERING ON SITE SHALL BE COORDINATED WITH THE TOWN'S INSPECTOR. A STATE PERMIT MAY BE REQUIRED FOR DEWATERING. THE EROSION CONTROL SUPERVISOR IS RESPONSIBLE FOR OBTAINING AND ADHERING TO ALL APPLICABLE PERMITS.
 - HYDRAULIC SEEDING AND/OR HYDRAULIC MULCHING ARE ONLY ALLOWED IN AREAS UNDER TEMPORARY OR PERMANENT IRRIGATION OR FOR THE PURPOSE OF TEMPORARY SOIL STABILIZATION.
 - APPLICABLE CONSTRUCTION BMPs SHALL REMAIN IN PLACE AND PROPERLY MAINTAINED UNTIL ALL LANDSCAPING HAS BEEN INSTALLED AND THE DESIRABLE VEGETATION HAS REACHED A POINT IN WHICH EROSION AND SEDIMENTATION IS NO LONGER A CONCERN AS DETERMINED BY THE TOWN'S INSPECTOR.
 - GRADING SECURITY RELEASE REQUIREMENTS:
 - DEVELOPABLE PROPERTY: IN ORDER FOR THE GRADING SECURITY TO BE RELEASED, THE SITE MUST MEET ITEMS A-H OR ITEM I (BELOW).
 - ALL SOIL-DISTURBING ACTIVITIES ASSOCIATED WITH THE GRADING PERMIT HAVE PERMANENTLY CEASED.
 - UNIFORM PERENNIAL VEGETATION COVER HAS BEEN ESTABLISHED WITH AN INDIVIDUAL PLANT DENSITY OF AT LEAST SEVENTY PERCENT (70%) OF PRE-DISTURBANCE LEVELS.
 - ALL CBMPs HAVE BEEN PROPERLY REMOVED FROM THE SITE.
 - IF ANY EROSION IS PRESENT, IT IS INSIGNIFICANT AND IS NOT LEAVING THE SITE AND/OR LEADING INTO ANY ON-SITE DRAINAGE INFRASTRUCTURE THAT MAY CONVEY SURFACE WATER OFF SITE.
 - WEEDS REPRESENT NO MORE THAN FIFTY PERCENT (50%) OF THE TOTAL VEGETATION ON THE SITE.
 - NO WEEDS ARE PRESENT FROM LIST A OF THE COLORADO NOXIOUS WEED LIST, AS AMENDED.
 - THE SITE IS PREDOMINANTLY FREE OF WEEDS FROM LIST B OF THE COLORADO NOXIOUS WEED LIST, AS AMENDED.
 - WEEDS ARE EVENLY DISTRIBUTED THROUGHOUT THE SITE WITH NO LARGE CONCENTRATIONS PRESENT.
 - A NEW GRADING PERMIT AND REPLACEMENT SECURITY HAS BEEN SUBMITTED AND APPROVED FOR THE APPLICABLE SITE OR ASSIGNMENT AS PROVIDED BY SECTION 11.10.150 OF THE TOWN OF PARKER MUNICIPAL CODE. IT IS THE PROPERTY OWNER'S OBLIGATION AT THE TIME OF CLOSING TO ENSURE THAT THE NEW SITE OWNER HAS PROVIDED THE TOWN WITH A REPLACEMENT SECURITY.

CBMP CONSTRUCTION BEST MANAGEMENT PRACTICES
 GEN NOTES 3 OF 4 Oct. 2013

- NO CHANGES ARE TO BE MADE TO THIS DRAWING WITHOUT WRITTEN PERMISSION OF THE TOWN OF PARKER.
- NONDEVELOPABLE PROPERTY: IN ORDER FOR THE GRADING SECURITY TO BE RELEASED, THE SITE MUST MEET ITEMS A-H AND J, OR ITEMS I AND J (BELOW).
 - ALL SOIL-DISTURBING ACTIVITIES ASSOCIATED WITH THE GRADING PERMIT HAVE PERMANENTLY CEASED.
 - ALL CBMPs HAVE BEEN PROPERLY REMOVED FROM THE SITE.
 - EROSION IS NEGLIGIBLE, IF EVEN PRESENT.
 - THE VEGETATION REPRESENTS A PERENNIAL STAND OF A DENSE, UNIFORM SURFACE OF GRASS WITH NO AREA GREATER THAN ONE (1) SQUARE FOOT THAT IS BARREN OF DESIRABLE VEGETATION, INFREQUENT, WIDELY SCATTERED AREAS WHERE NATIVE VEGETATION HAS NOT YET TAKEN HOLD MAY QUALIFY FOR ACCEPTANCE AT THE DISCRETION OF THE TOWN.
 - WEEDS REPRESENT NO MORE THAN TEN PERCENT (10%) OF THE TOTAL VEGETATION ON SITE.
 - NO WEEDS ARE PRESENT FROM LIST A OF THE COLORADO NOXIOUS WEED LIST, AS AMENDED.
 - THE SITE IS PREDOMINANTLY FREE OF WEEDS FROM LIST B OF THE COLORADO NOXIOUS WEED LIST, AS AMENDED.
 - WEEDS ARE EVENLY DISTRIBUTED THROUGHOUT THE SITE WITH NO LARGE CONCENTRATIONS PRESENT.
 - A NEW GRADING PERMIT AND REPLACEMENT SECURITY HAS BEEN SUBMITTED AND APPROVED FOR THE APPLICABLE SITE OR THE GRADING PERMIT HAS BEEN ASSIGNED AS PROVIDED BY SECTION 11.10.150 OF THE TOWN OF PARKER MUNICIPAL CODE. IT IS THE PROPERTY OWNER'S OBLIGATION, AT THE TIME OF CLOSING ON THE SALE OF A SITE THAT IS SUBJECT TO A GRADING PERMIT, TO ENSURE THAT THE NEW PROPERTY OWNER HAS PROVIDED THE TOWN WITH A REPLACEMENT SECURITY.
 - ALL KNOWN DRAINAGE ISSUES ASSOCIATED WITH THE PROJECT HAVE BEEN MITIGATED AND A SUFFICIENT AMOUNT OF TIME HAS PASSED TO ENSURE THAT SUCH ISSUES HAVE BEEN CORRECTED. THIS REQUIREMENT DOES NOT INCLUDE THOSE DRAINAGE ISSUES ORIGINATING ON RESIDENTIAL LOTS.
 - NOXIOUS WEEDS MUST BE CONTROLLED AS PROVIDED UNDER STATE LAW AND SECTION 6.01.260 OF THE TOWN OF PARKER MUNICIPAL CODE. FAILURE TO CONTROL NOXIOUS WEEDS ON THE SITE MAY CONSTITUTE A NUISANCE, SUBJECT TO THE PENALTIES CONTAINED IN THE CODE.

DEFINITIONS:

DEVELOPABLE PROPERTY MEANS ANY LAND THAT HAS BEEN GRADED AND IS PART OF A PLATTED LOT OR PLATTED TRACT OF RECORD, THAT WAS PLATTED FOR FUTURE DEVELOPMENT, INCLUDING RESIDENTIAL HOME CONSTRUCTION OR PUBLIC IMPROVEMENTS.

NONDEVELOPABLE PROPERTY MEANS LAND THAT HAS BEEN GRADED AND WILL NOT BE FURTHER DISTURBED AS PART OF ANY FUTURE DEVELOPMENT. EXAMPLES INCLUDE, BUT ARE NOT LIMITED TO: PARKS, OPEN SPACE, HOMEOWNER ASSOCIATION OR BUSINESS ASSOCIATION PLATTED TRACTS, DETENTION PONDS AND DRAINAGEWAYS.
 - FAILURE TO COMPLY WITH ANY OF THE REQUIREMENTS DESCRIBED IN THIS SECTION MAY RESULT IN THE ISSUANCE OF: A NOTICE OF INTENT TO ISSUE A STOP WORK ORDER, A STOP WORK ORDER AND/OR THE REMEDIES/PENALTIES DESCRIBED IN CHAPTER 11.10 OF THE TOWN OF PARKER MUNICIPAL CODE.
 - ANY PERSON CONVICTED OF VIOLATING ANY PROVISION OF THE TOWN OF PARKER, GRADING & EARTH MOVEMENT SECTION OF THE MUNICIPAL CODE SHALL BE GUILTY OF A MISDEMEANOR AND, UPON CONVICTION, BE PUNISHED BY A FINE OF NOT MORE THAN FOUR HUNDRED NINETY NINE DOLLARS (\$499.00) FOR EACH SEPARATE OFFENSE. EACH DAY A VIOLATION CONTINUES SHALL CONSTITUTE A SEPARATE OFFENSE. THE TOWN ALSO MAY SEEK IN MUNICIPAL COURT AN INJUNCTION, ABATEMENT, RESTITUTION OR ANY OTHER REMEDY TO PREVENT, ENJOIN, ABATE OR REMOVE THE VIOLATION. A PERSON CONVICTED OF VIOLATING CHAPTER 11.10 OF THE TOWN OF PARKER MUNICIPAL CODE SHALL BE LIABLE FOR THE ACTUAL COST OF REHABILITATING THE PROPERTY. THE COSTS MAY BE RECOVERED AS RESTITUTION IN MUNICIPAL COURT PROCEEDINGS OR IN A SEPARATE CIVIL ACTION.
 - THE TOWN OF PARKER RESERVES THE RIGHT TO ALLOW MODIFICATIONS AND SUBSTITUTIONS TO THE CBMP NOTES AND DETAILS WHEN SUCH MODIFICATIONS AND SUBSTITUTIONS OFFER THE SAME LEVEL OF PROTECTION AS THE STANDARD REQUIREMENTS BASED UPON THE SPECIFIC SITUATION, AS DETERMINED BY TOWN STAFF. DUE TO THE INSIGNIFICANCE AND REGULARITY OF SUCH MODIFICATIONS AND SUBSTITUTIONS, THE APPROVAL OF SUCH VARIATIONS MAY NOT BE DOCUMENTED BY TOWN STAFF.

CBMP CONSTRUCTION BEST MANAGEMENT PRACTICES
 GEN NOTES 4 OF 4 Oct. 2013

- NO CHANGES ARE TO BE MADE TO THIS DRAWING WITHOUT WRITTEN PERMISSION OF THE TOWN OF PARKER.
- CD CHECK DAM
 - CF CONSTRUCTION FENCE
 - CP CULVERT PROTECTION
 - CWA CONCRETE WASHOUT AREA
 - D DEWATERING
 - DD DIVERSION DITCH
 - DP DETENTION POND PROTECTION
 - DTC DEBRIS TRASH CONTROL
 - ECB EROSION CONTROL BLANKET
 - IPAN INLET PROTECTION FOR AREA INLETS NOT IN PAVEMENT
 - IPAP INLET PROTECTION FOR AREA INLETS IN PAVEMENT
 - IPCOG INLET PROTECTION, CURB ON-GRADE, TYPE R INLET
 - IPCOS INLET PROTECTION, CURB ON SUMP, TYPE R INLET

CBMP CONSTRUCTION BEST MANAGEMENT PRACTICES
 LEGEND 1 OF 3 Oct. 2013

- NO CHANGES ARE TO BE MADE TO THIS DRAWING WITHOUT WRITTEN PERMISSION OF THE TOWN OF PARKER.
- LP LOT PROTECTION
 - MWP MASONRY WORK PROTECTION
 - PTP PORTABLE TOILET PROTECTION
 - RCSC ROUGH CUT STREET CONTROL
 - RS ROCK SOCK
 - RSS ROCK SOCK IN SWALE
 - SB STRAW BALE
 - SCL SEDIMENT CONTROL LOGS
 - SF SILT FENCE
 - SMC SEEDING, MULCHING AND CRIMPING
 - SR SURFACE ROUGHING
 - SSA STABILIZED STAGING AREA
 - STP SIDEWALK TRANSITION PROTECTION

CBMP CONSTRUCTION BEST MANAGEMENT PRACTICES
 LEGEND 2 OF 3 Oct. 2013

- NO CHANGES ARE TO BE MADE TO THIS DRAWING WITHOUT WRITTEN PERMISSION OF THE TOWN OF PARKER.
- TI TEMPORARY IRRIGATION
 - TSB TEMPORARY SEDIMENT BASIN
 - VTC VEHICLE TRACKING CONTROL

CBMP CONSTRUCTION BEST MANAGEMENT PRACTICES
 LEGEND 3 OF 3 Oct. 2013

811 CALL UTILITY NOTIFICATION CENTER OF COLORADO
 1-800-922-1987 or 811
 CALL 3-BUSINESS DAYS (NOT INCLUDING INITIAL DAY OF CONTACT) IN ADVANCE BEFORE YOU DIG, GRADE, OR EXCAVATE FOR THE MARKING OF UNDERGROUND MEMBER UTILITIES.

THE TOWN OF PARKER REVIEW CONSTITUTES GENERAL COMPLIANCE WITH THE TOWN'S STANDARDS AND APPROVED VARIANCES, SUBJECT TO THESE PLANS BEING STAMPED, SIGNED, AND DATED BY THE PROFESSIONAL ENGINEER OF RECORD. REVIEW BY THE TOWN DOES NOT CONSTITUTE APPROVAL OF THE PLAN DESIGN OR ACCURACY AND CORRECTNESS OF ENGINEERING CALCULATIONS. ERRORS IN THE DESIGN OR CALCULATIONS REMAIN THE RESPONSIBILITY OF THE REGISTERED PROFESSIONAL ENGINEER WHOSE STAMP AND SIGNATURE ARE AFFIXED TO THIS DOCUMENT. THIS REVIEW DOES NOT CONSTITUTE APPROVAL OF ANY PRIVATE ON-SITE IMPROVEMENTS WHICH MAY BE SHOWN. CONSTRUCTION CANNOT COMMENCE UNTIL ALL REQUIRED DRAINAGE/TRAFFIC REPORT(S), FINAL DEVELOPMENT PLAN(S), SPECIAL REVIEW(S), GRADING PERMIT, AND/OR OTHER PERMITS ARE COMPLETE, APPROVED AND ON FILE WITH THE TOWN OF PARKER.

TOWN OF PARKER, DIRECTOR OF ENGINEERING/PUBLIC WORKS DATE

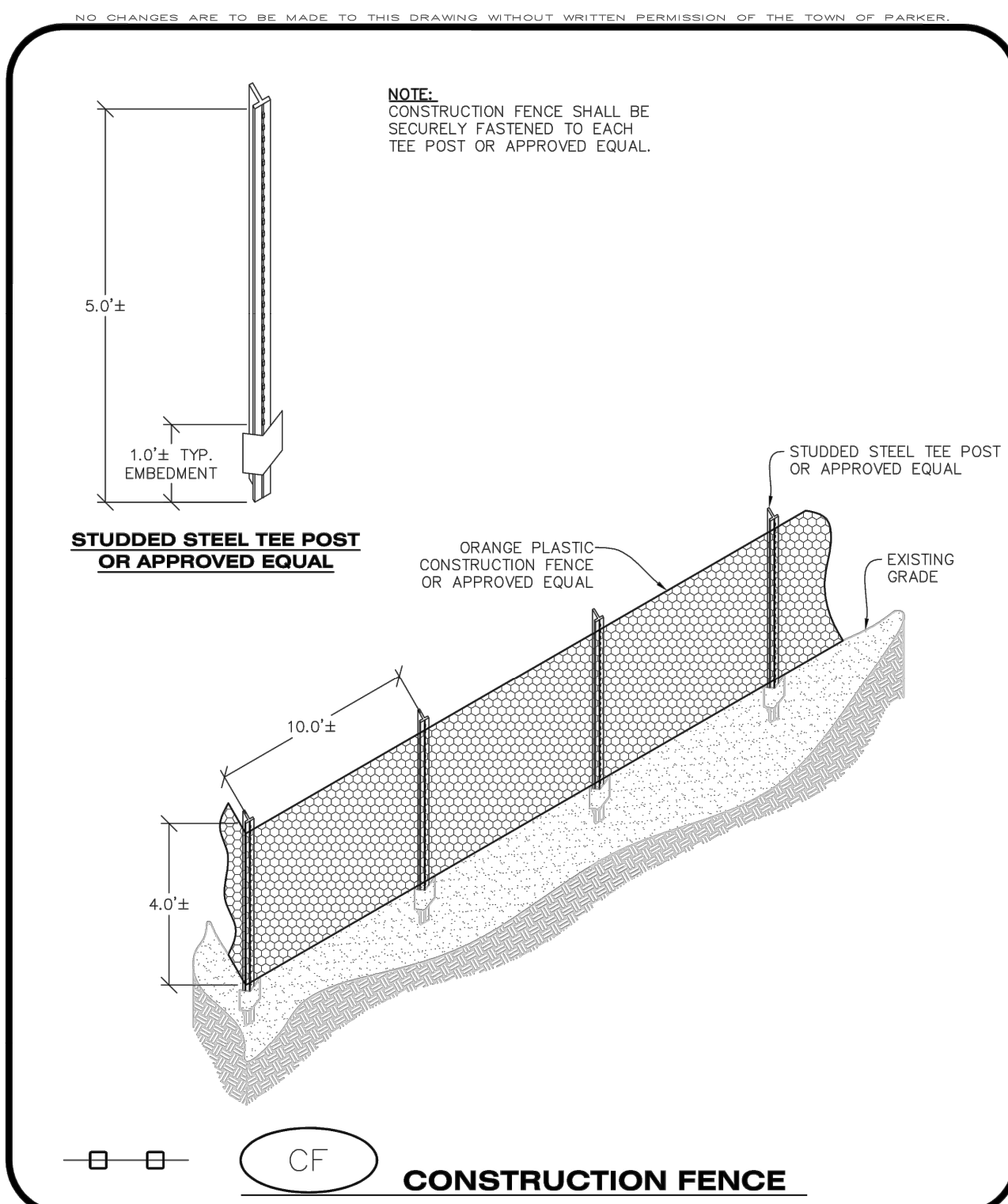
NO.	REVISION	BY	DATE

EES ENGINEERING AND SOLUTIONS, INC.
 501 S Cherry St, Suite 300
 Glendale, CO 80246
 303-672-7997 www.ees-us.com

CONSTRUCTION DOCUMENTS
 CONVENIENCE STORE
 CBMP DETAILS

PROJECT NO: -----
 DESIGNED BY: LCG
 DRAWN BY: JLG
 DATE: 09/21/2021

C4.2



CBMP CONSTRUCTION BEST MANAGEMENT PRACTICES **CF** 1 OF 2 Oct. 2013

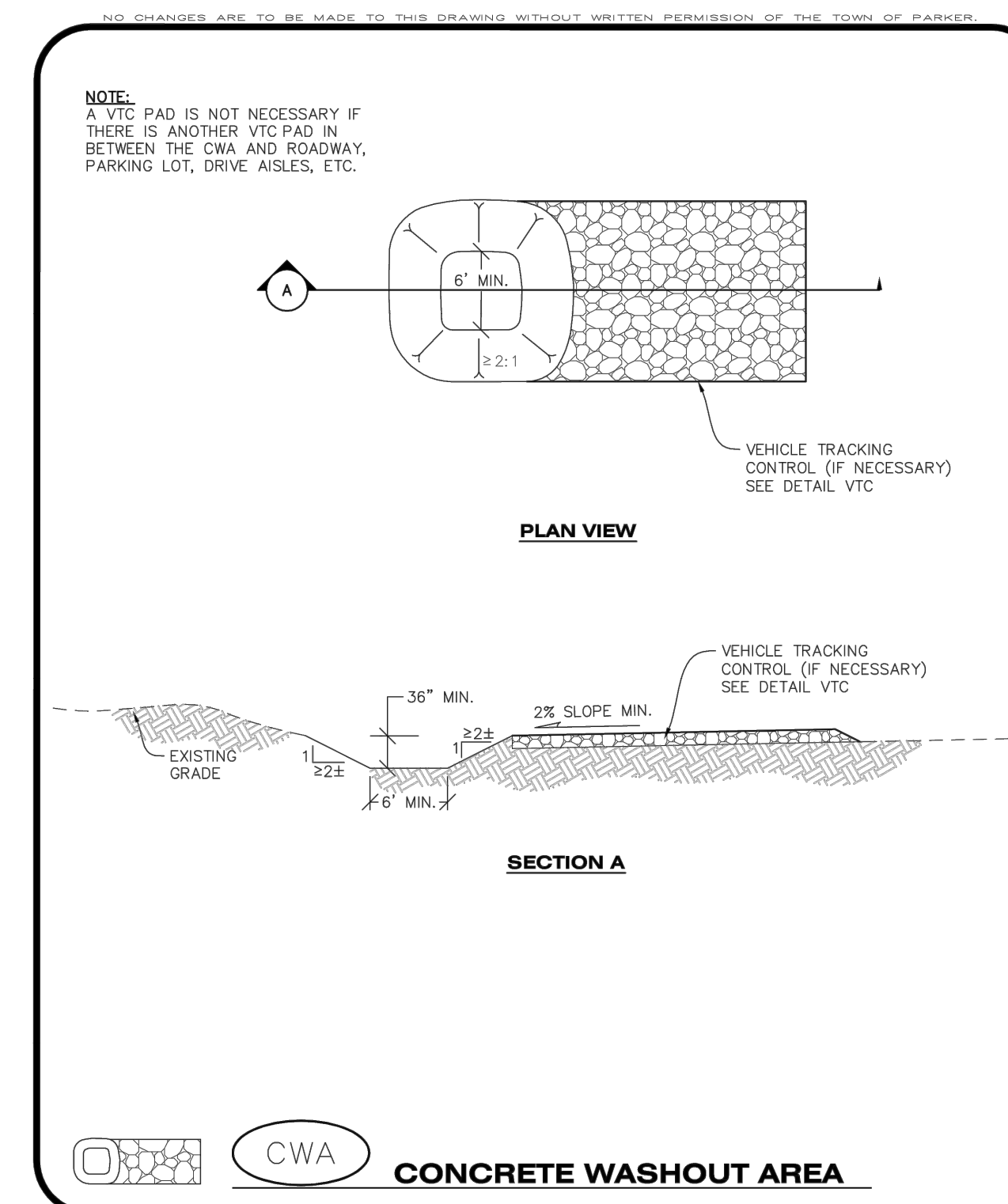
CONSTRUCTION FENCE INSTALLATION NOTES

1. THE CONSTRUCTION FENCE SHALL BE SECURELY FASTENED TO EACH POST OR APPROVED EQUAL.

CONSTRUCTION FENCE INSPECTION AND MAINTENANCE NOTES

1. THE EROSION CONTROL SUPERVISOR SHALL REGULARLY INSPECT THE CONSTRUCTION FENCE AND MAKE ANY NECESSARY REPAIRS.
2. CONSTRUCTION FENCE SHALL BE REPAIRED WHEN THE FENCING MATERIAL FALLS OUT OF COMPLIANCE WITH THE NOTES AND DETAILS.

CBMP CONSTRUCTION BEST MANAGEMENT PRACTICES **CF** 2 OF 2 Oct. 2013



CBMP CONSTRUCTION BEST MANAGEMENT PRACTICES **CWA** 1 OF 2 Oct. 2013

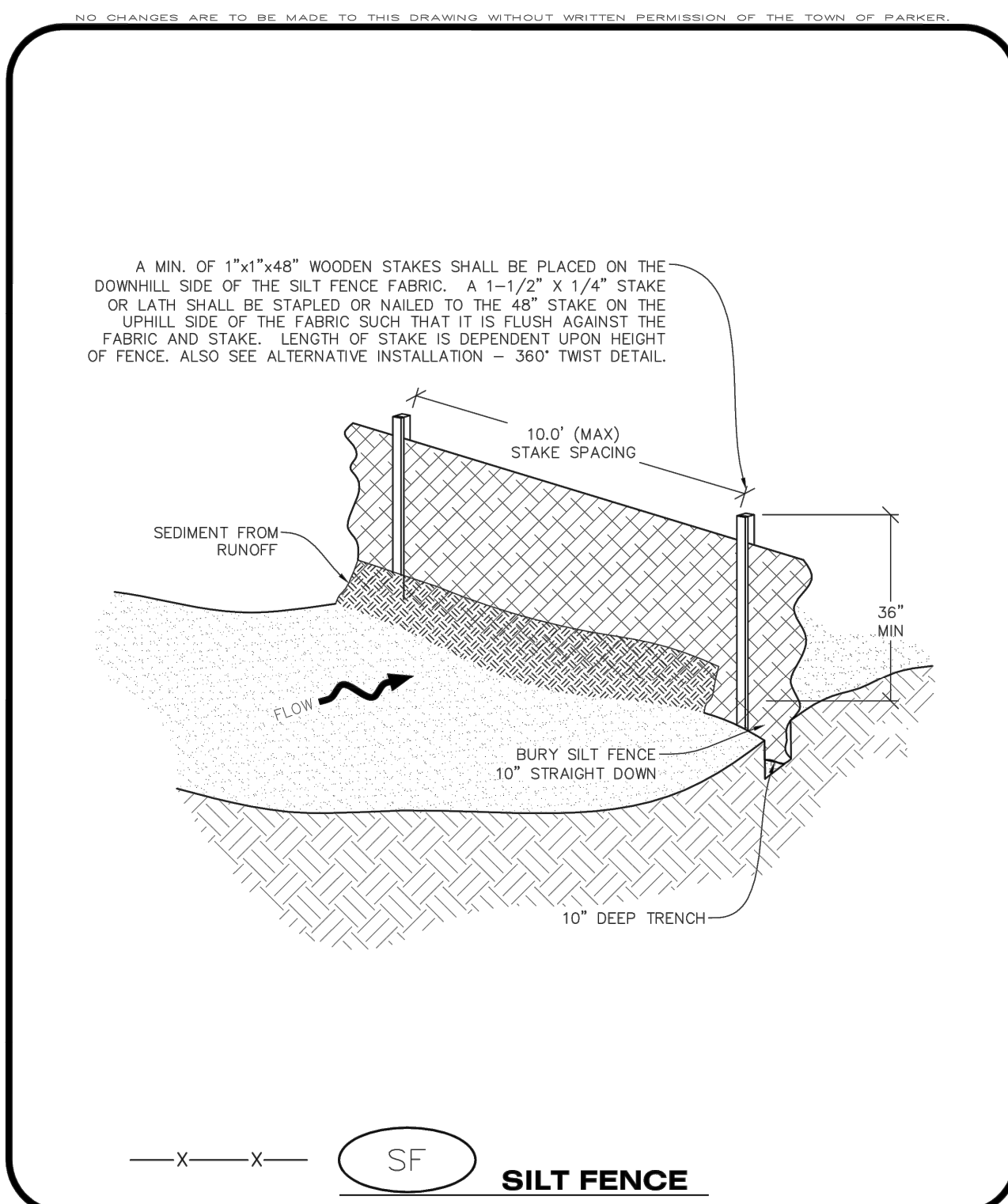
CONCRETE WASHOUT AREA INSTALLATION NOTES

1. CONCRETE WASHOUT AREAS SHALL BE INSTALLED PRIOR TO ANY CONCRETE PLACEMENT ON SITE.
2. A VEHICLE TRACKING CONTROL PAD IS REQUIRED AT THE ACCESS POINT TO ALL CONCRETE WASHOUT AREAS WHEN NO OTHER VTC PAD EXISTS IN BETWEEN THE CWA AND THE ROADWAY.
3. IF GROUNDWATER IS ENCOUNTERED WHEN DIGGING THE PIT, A NEW LOCATION SHOULD BE SELECTED. IF NO OTHER LOCATION CAN BE FOUND, A ONE-PIECE IMPERVIOUS LINER SHALL BE REQUIRED ALONG THE BOTTOM AND SIDES OF THE SUBSURFACE PIT.

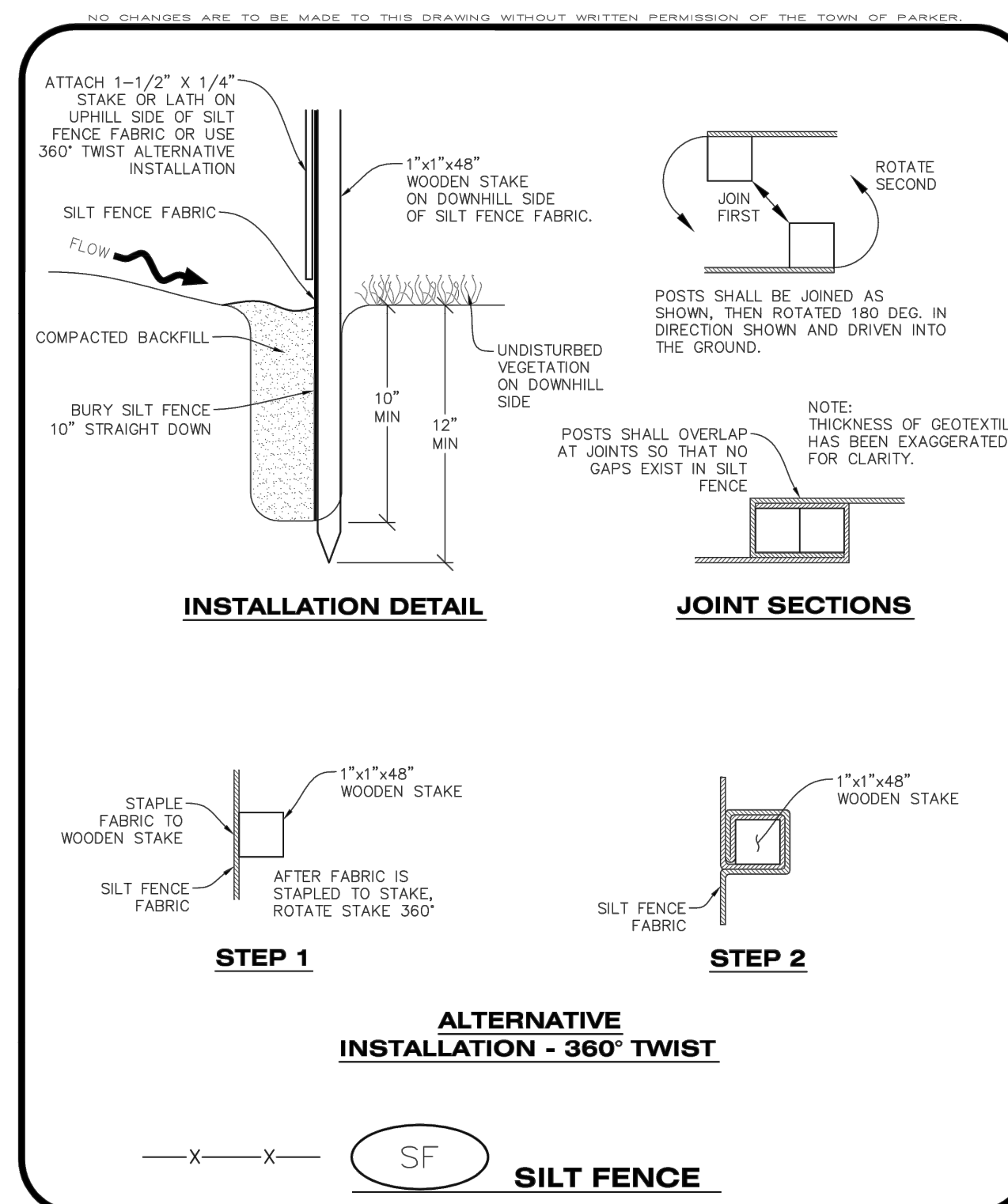
CONCRETE WASHOUT AREA INSPECTION AND MAINTENANCE NOTES

1. THE EROSION CONTROL SUPERVISOR SHALL REGULARLY INSPECT THE CONCRETE WASHOUT AREA.
2. CONCRETE WASHOUT MATERIALS SHALL BE REMOVED BEFORE ITS CAPACITY HAS BEEN REACHED.
3. CONCRETE WASHOUT AREAS SHALL BE ENLARGED AS NECESSARY TO MAINTAIN CAPACITY FOR WASTED CONCRETE AND ASSOCIATED WASH WATER.
4. CONCRETE WASHOUT WATER, WASTED PIECES OF CONCRETE AND ALL OTHER DEBRIS IN THE SUBSURFACE PIT SHALL BE TRANSPORTED FROM THE JOB SITE AS NECESSARY TO ENSURE ADEQUATE CAPACITY.
5. CONCRETE WASHOUT AREAS SHALL REMAIN IN PLACE UNTIL ALL CONCRETE FOR THE PROJECT IS PLACED.
6. WHEN CONCRETE WASHOUT AREAS ARE REMOVED, THE TOWN'S INSPECTOR MAY REQUIRE EXCAVATIONS TO BE FILLED WITH SUITABLE COMPACTED BACKFILL AND TOPSOIL, ANY DISTURBED AREAS ASSOCIATED WITH THE INSTALLATION, MAINTENANCE, AND/OR REMOVAL OF THE CONCRETE WASHOUT AREAS SHALL BE ROUGHENED, SEEDED, MULCHED, AND CRIMPED PER THE TOWN'S SPECIFICATIONS (SEE DETAIL SMC).

CBMP CONSTRUCTION BEST MANAGEMENT PRACTICES **CWA** 2 OF 2 Oct. 2013



CBMP CONSTRUCTION BEST MANAGEMENT PRACTICES **SF** 1 OF 4 Oct. 2013



CBMP CONSTRUCTION BEST MANAGEMENT PRACTICES **SF** 2 OF 4 Oct. 2013

SILT FENCE INSTALLATION NOTES

1. SEE CBMP PLAN FOR LOCATION(S) OF SILT FENCE.
2. ALL SILT FENCE SHALL BE INSTALLED IN GOOD CONDITION AND FREE OF ANY DEFECTS INCLUDING RIPS, HOLES AND OBVIOUS WEAR.
3. A UNIFORM 10" DEEP ANCHOR TRENCH SHALL BE EXCAVATED USING A TRENCHER.
4. A 10" DEEP ANCHOR SLIT SHALL BE FORMED IF USING A STATIC SLICING METHOD.
5. EXCAVATED MATERIAL SHALL BE PLACED ON THE UPHILL SIDE OF THE ANCHOR TRENCH.
6. ANCHOR TRENCH SHALL BE GENERALLY FREE OF ROCKS OR OTHER DEBRIS PRIOR TO THE PLACEMENT OF THE SILT FENCE.
7. THE ANCHOR TRENCH SHALL BE THOROUGHLY BACKFILLED WITH SOIL THAT IS GENERALLY FREE OF ROCKS AND DEBRIS.
8. ALL EXCAVATED MATERIAL SHALL BE PLACED ON THE UP-GRADE SIDE OF THE SILT FENCE.
9. STAKES SHALL BE POSITIONED ON THE DOWNHILL SIDE OF THE SILT FENCE FABRIC AND PLACED ON 10.0' CENTERS OR LESS. STAKES SHALL BE EMBEDDED A MINIMUM OF 12" INTO THE GROUND. A WOODEN LATH SHALL BE ATTACHED TO THE OPPOSING (UPHILL) SIDE OF THE STAKE FOR ADDED STRENGTH AND SUPPORT. THE LATH SHALL HAVE THE FOLLOWING DIMENSIONS: 1"x1/4"x24".
10. SILT FENCE SHALL BE PULLED TIGHT AS IT IS ANCHORED TO THE STAKES. THERE SHOULD NOT BE SIGNIFICANT SAGGING ALONG ANY PORTION OF THE SILT FENCE AFTER IT HAS BEEN ANCHORED TO THE STAKES.
11. SILT FENCE FABRIC SHALL BE ANCHORED TO THE STAKES AND LATHS USING STAPLES OR NAILS OF AN APPROXIMATE LENGTH. ENOUGH STAPLES AND NAILS SHOULD BE PLACED ALONG THE LATH TO ENSURE PROPER ATTACHMENT.
12. SILT FENCE FABRIC SHALL MEET THE FOLLOWING MANDATORY REQUIREMENTS:

PROPERTIES	TEST METHOD	MANDATORY REQUIREMENTS
GRAB TENSILE STRENGTH	ASTM D 4632	> 124 LBS
MULLEN BURST STRENGTH	ASTM D 3786	> 300 PSI
PUNCTURE STRENGTH	ASTM D 4833	> 60 LBS
TRAPEZOID TEAR STRENGTH	ASTM D 4933	> 65 LBS
UV RESISTANCE	ASTM D 4355	> 80% AT 500 HOURS OF UV EXPOSURE
FLOW RATE	ASTM D 4491	> 10 GAL/MIN/FT2

13. AN ORIGINAL PRODUCT SPECIFICATION SHEET FROM THE SILT FENCE MANUFACTURER SHALL BE MADE AVAILABLE AT THE REQUEST OF THE TOWN'S INSPECTOR. THE PRODUCT SPECIFICATION SHEET SHALL PROVIDE THE RESULTS FOR THE TEST METHODS ABOVE.
14. SILT FENCE JOINTS SHALL BE CONNECTED ACCORDING TO THE ATTACHED DRAWING.
15. SILT FENCE THAT IS INSTALLED BEHIND CURBS AND SIDEWALKS MUST BE DONE SO THAT NO MORE THAN A 2" GAP EXISTS BETWEEN CONCRETE AND THE SILT FENCE. EROSION CONTROL BLANKETING (ECB) BETWEEN THE GAP MAY BE REQUIRED IN INSTANCES WHERE THIS DOES NOT OCCUR.

CBMP CONSTRUCTION BEST MANAGEMENT PRACTICES **SF** 3 OF 4 Oct. 2013

NO.	REVISION	BY	DATE

EES ENGINEERING AND SOLUTIONS, INC.
501 S Cherry St, Suite 300
Glendale, CO 80246
303-672-7997 www.ees.us.com

CONSTRUCTION DOCUMENTS
CONVENIENCE STORE
12181 AND 12191 SLICEROO DRIVE, PARKER, CO 80134
CBMP DETAILS

PROJECT NO: -----
DESIGNED BY: LCG
DRAWN BY: JLG
DATE: 09/21/2021
C4.3
TOWN OF PARKER, DIRECTOR OF ENGINEERING/PUBLIC WORKS

811
CALL UTILITY NOTIFICATION CENTER OF COLORADO
1-800-922-1987 or 811
CALL 3-BUSINESS DAYS (NOT INCLUDING INITIAL DAY OF CONTACT) IN ADVANCE BEFORE YOU DIG, GRADE, OR EXCAVATE FOR THE MARKING OF UNDERGROUND MEMBER UTILITIES.
Know what's below. Call before you dig.

© 2021, ALL RIGHTS RESERVED.

NO CHANGES ARE TO BE MADE TO THIS DRAWING WITHOUT WRITTEN PERMISSION OF THE TOWN OF PARKER.

SILT FENCE INSPECTION AND MAINTENANCE NOTES

1. THE EROSION CONTROL SUPERVISOR SHALL REGULARLY INSPECT THE SILT FENCE.
2. ACCUMULATED SEDIMENT SHALL BE REMOVED REGULARLY.
3. SILT FENCE SHALL REMAIN IN PLACE AND PROPERLY MAINTAINED UNTIL VEGETATIVE COVER HAS REACHED A CONSISTENT DENSITY OF AT LEAST 70% OF FULL VEGETATIVE COVER AND EROSION AND SEDIMENTATION IS NO LONGER A POSSIBILITY AS DETERMINED BY THE TOWN'S INSPECTOR OR AS OTHERWISE DIRECTED BY THE TOWN'S INSPECTOR.
4. SILT FENCE SHALL BE REPLACED WHEN THERE ARE ANY SIGNS OF WEAR AND/OR DAMAGE.
5. WHEN THE SILT FENCE IS REMOVED, ANY DISTURBED AREAS ASSOCIATED WITH THE INSTALLATION, MAINTENANCE, AND/OR REMOVAL OF THE SILT FENCE MAY NEED TO BE ROUGHENED, SEEDED, MULCHED, AND CRIMPED PER THE TOWN'S SPECIFICATIONS (SEE DETAIL SMC).

PORTABLE TOILET PROTECTION

PTP

CBMP CONSTRUCTION BEST MANAGEMENT PRACTICES **SF**
4 OF 4
Oct. 2013

NO CHANGES ARE TO BE MADE TO THIS DRAWING WITHOUT WRITTEN PERMISSION OF THE TOWN OF PARKER.

PORTABLE TOILET PROTECTION INSTALLATION NOTES

1. PORTABLE TOILETS SHALL BE PLACED A MINIMUM OF 10.0' BEHIND ALL CURBS, SIDEWALKS, AND OTHER IMPERVIOUS AREAS.
2. ALL PORTABLE TOILETS MUST BE GROUPED TOGETHER.
3. PORTABLE TOILETS SHALL BE SECURELY ANCHORED TO THE GROUND USING U-SHAPED REBAR STAKES.
4. U-SHAPED REBAR STAKES SHALL BE POSITIONED ON AT LEAST 2 OPPOSING (DIGITAL) CORNERS.

PORTABLE TOILET PROTECTION INSPECTION AND MAINTENANCE NOTES

2. THE EROSION CONTROL SUPERVISOR SHALL REGULARLY INSPECT THE PORTABLE TOILET PROTECTION.
3. PORTABLE TOILETS SHALL BE SERVICED AT THE NECESSARY INTERVALS TO ELIMINATE THE POSSIBILITY OF OVERFLOW.
4. WHEN THE PORTABLE TOILETS ARE REMOVED, ANY DISTURBED AREAS ASSOCIATED WITH THE INSTALLATION, MAINTENANCE, AND/OR REMOVAL OF THE TOILETS MAY NEED TO BE LANDSCAPED OR ROUGHENED, SEEDED, MULCHED, AND CRIMPED PER THE TOWN'S SPECIFICATIONS (SEE DETAIL SMC).
5. PORTABLE TOILETS THAT ARE NOT CONSISTENTLY MAINTAINED IN ACCORDANCE WITH THESE REQUIREMENTS MAY NEED TO BE CLUSTERED TOGETHER, IN ONE CENTRALIZED LOCATION IN ORDER TO INCREASE COMPLIANCE AND REDUCE THE CHANCE OF A SPILL.

PORTABLE TOILET PROTECTION

PTP

CBMP CONSTRUCTION BEST MANAGEMENT PRACTICES **PTP**
1 OF 2
Oct. 2013

NO CHANGES ARE TO BE MADE TO THIS DRAWING WITHOUT WRITTEN PERMISSION OF THE TOWN OF PARKER.

PORTABLE TOILET PROTECTION INSTALLATION NOTES

1. PORTABLE TOILETS SHALL BE PLACED A MINIMUM OF 10.0' BEHIND ALL CURBS, SIDEWALKS, AND OTHER IMPERVIOUS AREAS.
2. ALL PORTABLE TOILETS MUST BE GROUPED TOGETHER.
3. PORTABLE TOILETS SHALL BE SECURELY ANCHORED TO THE GROUND USING U-SHAPED REBAR STAKES.
4. U-SHAPED REBAR STAKES SHALL BE POSITIONED ON AT LEAST 2 OPPOSING (DIGITAL) CORNERS.

PORTABLE TOILET PROTECTION INSPECTION AND MAINTENANCE NOTES

2. THE EROSION CONTROL SUPERVISOR SHALL REGULARLY INSPECT THE PORTABLE TOILET PROTECTION.
3. PORTABLE TOILETS SHALL BE SERVICED AT THE NECESSARY INTERVALS TO ELIMINATE THE POSSIBILITY OF OVERFLOW.
4. WHEN THE PORTABLE TOILETS ARE REMOVED, ANY DISTURBED AREAS ASSOCIATED WITH THE INSTALLATION, MAINTENANCE, AND/OR REMOVAL OF THE TOILETS MAY NEED TO BE LANDSCAPED OR ROUGHENED, SEEDED, MULCHED, AND CRIMPED PER THE TOWN'S SPECIFICATIONS (SEE DETAIL SMC).
5. PORTABLE TOILETS THAT ARE NOT CONSISTENTLY MAINTAINED IN ACCORDANCE WITH THESE REQUIREMENTS MAY NEED TO BE CLUSTERED TOGETHER, IN ONE CENTRALIZED LOCATION IN ORDER TO INCREASE COMPLIANCE AND REDUCE THE CHANCE OF A SPILL.

SSA

CBMP CONSTRUCTION BEST MANAGEMENT PRACTICES **PTP**
2 OF 2
Oct. 2013

NO CHANGES ARE TO BE MADE TO THIS DRAWING WITHOUT WRITTEN PERMISSION OF THE TOWN OF PARKER.

SSA

CBMP CONSTRUCTION BEST MANAGEMENT PRACTICES **SSA**
1 OF 2
Oct. 2013

NO CHANGES ARE TO BE MADE TO THIS DRAWING WITHOUT WRITTEN PERMISSION OF THE TOWN OF PARKER.

STABILIZED STAGING AREA INSTALLATION NOTES

1. SEE CBMP PLAN FOR LOCATION OF STAGING AREA. CONTRACTOR MAY MODIFY LOCATION AND SIZE OF STABILIZED STAGING AREA WITH TOWN APPROVAL.
2. STABILIZED STAGING AREA SHALL BE LARGE ENOUGH TO FULLY CONTAIN PARKING, STORAGE, AND LOADING OPERATIONS.
3. THE STABILIZED STAGING AREA SHALL CONSIST OF A MINIMUM OF 3" DIAMETER OF ANGULAR ROCK (GRANITE OR RECYCLED CONCRETE).
4. SSA FOR SMALLER SITES MAY NOT BE PRACTICAL. IN THESE AND SIMILAR SITUATIONS, VARIANCES MAY BE PERMITTED BY THE TOWN.

STABILIZED STAGING AREA INSPECTION AND MAINTENANCE NOTES

1. THE EROSION CONTROL SUPERVISOR SHALL REGULARLY INSPECT THE STAGING AREA.
2. STABILIZED STAGING AREA SHALL BE ENLARGED AS NECESSARY TO CONTAIN PARKING, STORAGE, LOADING, AND UNLOADING.

VTC

CBMP CONSTRUCTION BEST MANAGEMENT PRACTICES **SSA**
2 OF 2
Oct. 2013

NO CHANGES ARE TO BE MADE TO THIS DRAWING WITHOUT WRITTEN PERMISSION OF THE TOWN OF PARKER.

ON SITES LESS THAN 10 ACRES AND WHERE SIGNIFICANT SOIL IMPORTING/EXPORTING IS NOT OCCURRING, CONSTRUCTION FENCE (CF) OR SILT FENCE (SF) MAY BE USED IN LIEU OF THE TYPE 4 JERSEY BARRIERS WITH PRIOR APPROVAL FROM THE TOWN'S INSPECTOR.

VTC

CBMP CONSTRUCTION BEST MANAGEMENT PRACTICES **VTC**
1 OF 3
Oct. 2013

NO CHANGES ARE TO BE MADE TO THIS DRAWING WITHOUT WRITTEN PERMISSION OF THE TOWN OF PARKER.

SECTION A

SECTION B

VTC

CBMP CONSTRUCTION BEST MANAGEMENT PRACTICES **VTC**
2 OF 3
Oct. 2013

NO.	REVISION	BY	DATE

EES ENGINEERING AND SOLUTIONS, INC.
501 S Cherry St, Suite 300
Glen Dale, CO 80246
303-672-7997 www.ees-us.com

CONSTRUCTION DOCUMENTS
CONVENIENCE STORE
CBMP DETAILS

12181 AND 12191 SLICEROO DRIVE, PARKER, CO 80134

PROJECT NO: -----
DESIGNED BY: LCG
DRAWN BY: JLG
DATE: 09/21/2021

C4.4

9/24/2021 2:54 PM P:\TWINSTAR ENERGY\CO. PARKER - CHAMBERS & HESS\08 CAD\CAD\SSLOT 1\C4.3 - EROSION CONTROL DETAILS.DWG

811
CALL UTILITY NOTIFICATION CENTER OF COLORADO
1-800-922-1987 or 811
CALL 3-BUSINESS DAYS (NOT INCLUDING INITIAL DAY OF CONTACT) IN ADVANCE BEFORE YOU DIG, GRADE, OR EXCAVATE FOR THE MARKING OF UNDERGROUND MEMBER UTILITIES.

Know what's below.
Call before you dig.

THE TOWN OF PARKER REVIEW CONSTITUTES GENERAL COMPLIANCE WITH THE TOWN'S STANDARDS AND APPROVED VARIANCES. SUBJECT TO THESE PLANS BEING STAMPED, SIGNED, AND DATED BY THE PROFESSIONAL ENGINEER OF RECORD. REVIEW BY THE TOWN DOES NOT CONSTITUTE APPROVAL OF THE PLAN DESIGN OR ACCURACY AND CORRECTNESS OF ENGINEERING CALCULATIONS. ERRORS IN THE DESIGN OR CALCULATIONS REMAIN THE RESPONSIBILITY OF THE REGISTERED PROFESSIONAL ENGINEER WHOSE STAMP AND SIGNATURE ARE AFFIXED TO THIS DOCUMENT. THIS REVIEW DOES NOT CONSTITUTE APPROVAL OF ANY PRIVATE ON-SITE IMPROVEMENTS WHICH MAY BE SHOWN. CONSTRUCTION CANNOT COMMENCE UNTIL ALL REQUIRED DRAINAGE/TRAFFIC REPORT(S), FINAL DEVELOPMENT PLAN(S), SPECIAL REVIEW(S), GRADING PERMIT, AND/OR OTHER PERMITS ARE COMPLETE, APPROVED AND ON FILE WITH THE TOWN OF PARKER.

TOWN OF PARKER, _____ DATE _____
DIRECTOR OF ENGINEERING/PUBLIC WORKS

© 2021, ALL RIGHTS RESERVED.

NO CHANGES ARE TO BE MADE TO THIS DRAWING WITHOUT WRITTEN PERMISSION OF THE TOWN OF PARKER.

VEHICLE TRACKING CONTROL PAD INSTALLATION NOTES

- SEE CBMP PLAN FOR LOCATION(S) OF VEHICLE TRACKING CONTROL PAD(S).
- ALL CONSTRUCTION TRAFFIC MUST ENTER AND EXIT THE SITE THROUGH THE APPROVED ACCESS POINT(S). A VEHICLE TRACKING CONTROL PAD IS REQUIRED AT ALL APPROVED ACCESS POINTS TO THE SITE. EXCEPTIONS MAY BE CONSIDERED FOR CONSTRUCTION ACTIVITY OCCURRING IMMEDIATELY ADJACENT TO PAVED AREAS AND WHERE ALTERNATIVE BMP'S ARE IMPLEMENTED. SUCH ACTIVITY MAY INCLUDE, BUT NOT BE LIMITED TO RESIDENTIAL CONSTRUCTION, UTILITY CONSTRUCTION, ETC.
- THE VEHICLE TRACKING CONTROL PAD(S) INDICATED ON CBMP PLAN SHALL BE INSTALLED PRIOR TO ANY LAND DISTURBING ACTIVITIES.
- VEHICLE TRACKING CONTROL PADS SHALL BE A MINIMUM OF 50-FOOT LONG AND 10-FOOT WIDE, UNLESS A VARIANCE HAS BEEN GRANTED BY THE TOWN'S INSPECTOR.
- A BIAXIAL GEO-GRID SHALL BE PLACED UNDER THE VEHICLE TRACKING CONTROL PAD PRIOR TO THE PLACEMENT OF ROCK. THE AREA SHALL BE FREE FROM ANY VOIDS, ROCKS AND DEBRIS. THE BIAXIAL GEO-GRID SHALL BE TENSAR BX1100, MIRAFI BAXGRID II, OR AN APPROVED EQUAL. GEO-GRID SHALL BE PLACED, AND APPROPRIATELY OVERLAPPED IF NECESSARY, TO COVER THE ENTIRE LENGTH AND WIDTH OF THE VEHICLE TRACKING CONTROL PAD.
- CRUSHED ROCK SHALL BE A MINIMUM OF 3-6" GRANITE WITH A FRACTURED FACE (ALL SIDES).

VEHICLE TRACKING CONTROL PAD INSTALLATION AND MAINTENANCE NOTES

- THE EROSION CONTROL SUPERVISOR SHALL REGULARLY INSPECT THE VEHICLE TRACKING CONTROL PAD.
- WHEN THE VEHICLE TRACKING CONTROL PAD IS REMOVED, ANY DISTURBED AREAS ASSOCIATED WITH THE INSTALLATION, MAINTENANCE, AND/OR REMOVAL OF THE VEHICLE TRACKING CONTROL PAD SHALL BE ROUGHENED, SEEDED, MULCHED, AND CRIMPED PER THE TOWN'S SPECIFICATIONS (SEE DETAIL SMC).
- THE VEHICLE TRACKING CONTROL PAD SHALL BE MAINTAINED SUCH THAT THE ROCK REMAINS RELATIVELY LOOSE AND ACCUMULATED MUD AND OTHER DEBRIS IS REGULARLY REMOVED.

Parker COLORADO | **CBMP** | **VTC**
CONSTRUCTION BEST MANAGEMENT PRACTICES | 3 OF 3
Oct. 2013

NO CHANGES ARE TO BE MADE TO THIS DRAWING WITHOUT WRITTEN PERMISSION OF THE TOWN OF PARKER.

DEBRIS AND TRASH CONTROL

NOTE:

- THE EROSION CONTROL SUPERVISOR IS RESPONSIBLE FOR ENSURING THAT ALL STREETS, CURBS, GUTTERS, SIDEWALKS, DRIVEWAYS, PARKING LOTS, ALLEYS, TRICKLE CHANNELS, AND/OR OTHER IMPERVIOUS SURFACES IMPACTED BY CONSTRUCTION ACTIVITIES ARE THOROUGHLY CLEANED THROUGHOUT THE DAY IF THEY BECOME SOILED. THESE AREAS MUST ALSO BE THOROUGHLY CLEAN BEFORE THE END OF THE WORK DAY. FURTHERMORE, ALL LOOSE TRASH AND LITTER ASSOCIATED WITH THE PROJECT MUST BE REMOVED AND PROPERLY DISCARDED ON A DAILY BASIS.

Parker COLORADO | **CBMP** | **DTC**
CONSTRUCTION BEST MANAGEMENT PRACTICES | 1 OF 2
Oct. 2013

NO CHANGES ARE TO BE MADE TO THIS DRAWING WITHOUT WRITTEN PERMISSION OF THE TOWN OF PARKER.

DEBRIS CONTROL NOTES:

- A COMBINATION OF SURFACE SCRAPING AND SWEEPING MAY BE NECESSARY TO PROPERLY CLEAN THESE AREAS.
- ALL CHEMICAL SPILLS AND/OR STAINS ON THE SITE SHALL BE CLEANED TO THE MAXIMUM EXTENT PRACTICABLE. IN SOME CASES IT MAY BE NECESSARY TO USE PRESSURIZED WATER AND A VAC-TRUCK.
- ON-SITE PERSONNEL, DELIVERY DRIVERS, ETC., SHOULD BE EDUCATED ON THE NEED FOR CONTINUAL DEBRIS AND TRASH CONTROL.

Parker COLORADO | **CBMP** | **DTC**
CONSTRUCTION BEST MANAGEMENT PRACTICES | 2 OF 2
Oct. 2013

NO CHANGES ARE TO BE MADE TO THIS DRAWING WITHOUT WRITTEN PERMISSION OF THE TOWN OF PARKER.

INLET PROTECTION, CURB ON-GRADE, TYPE R INLET

Parker COLORADO | **CBMP** | **IPCOG**
CONSTRUCTION BEST MANAGEMENT PRACTICES | 1 OF 3
Oct. 2013

NO CHANGES ARE TO BE MADE TO THIS DRAWING WITHOUT WRITTEN PERMISSION OF THE TOWN OF PARKER.

TUBULAR TRAFFIC MARKER DETAIL

Parker COLORADO | **CBMP** | **IPCOG**
CONSTRUCTION BEST MANAGEMENT PRACTICES | 2 OF 3
Oct. 2013

NO CHANGES ARE TO BE MADE TO THIS DRAWING WITHOUT WRITTEN PERMISSION OF THE TOWN OF PARKER.

INLET PROTECTION, CURB ON-GRADE INSTALLATION NOTES

- SEE CBMP PLAN FOR LOCATION(S) OF ON-GRADE INLET PROTECTION.
- CRUSHED ROCK SHALL BE 2.0"-3.0" IN SIZE WITH A FRACTURED FACE (ALL SIDES).
- ROCK SOCK FOR ON-GRADE INLET PROTECTION SHALL BE ONE CONTINUOUS PIECE.
- ROCK SOCK SHALL BE CONSTRUCTED USING CHICKEN WIRE OR OTHER APPROVED MATERIAL, SIZED TO KEEP ROCK FROM SPILLING OUT.
- ROCK SOCK SHALL BE PLACED 5.0' UPHILL OF THE INLET OPENING.
- TUBULAR MARKER SHALL BE A MINIMUM OF 3.0' HIGH WITH REFLECTIVE BANDS AND OCTAGON SHAPED BASES.
- THE CURB INLET PROTECTION SHOWN ON CBMP PLAN SHALL BE INSTALLED ON EXISTING INLETS PRIOR TO ANY LAND DISTURBING ACTIVITIES OR IMMEDIATELY AFTER THE APPLICABLE INSTALLATION OF THE FIRST LIFT OF ASPHALT ON ROADWAYS DRAINING TO THE INLET.

ON-GRADE INLET PROTECTION INSPECTION AND MAINTENANCE NOTES

- THE EROSION CONTROL SUPERVISOR SHALL REGULARLY INSPECT THE ON-GRADE INLET PROTECTION.
- ACCUMULATED SEDIMENT SHALL BE REMOVED AS SOON AS POSSIBLE, IMMEDIATELY IN MOST CASES.
- ROCK SOCKS SHALL BE REPLACED IF THEY BECOME HEAVILY SOILED OR DAMAGED.
- ON-GRADE INLET PROTECTION SHALL REMAIN IN PLACE AND PROPERLY MAINTAINED UNTIL VEGETATIVE COVER HAS REACHED A CONSISTENT DENSITY OF AT LEAST 70% OF FULL VEGETATIVE COVER AND EROSION AND SEDIMENTATION IS NO LONGER A POSSIBILITY AS DETERMINED BY THE TOWN'S INSPECTOR OR AS OTHERWISE DIRECTED BY THE TOWN'S INSPECTOR.

Parker COLORADO | **CBMP** | **IPCOG**
CONSTRUCTION BEST MANAGEMENT PRACTICES | 3 OF 3
Oct. 2013

NO CHANGES ARE TO BE MADE TO THIS DRAWING WITHOUT WRITTEN PERMISSION OF THE TOWN OF PARKER.

STOCKPILE PROTECTION

Parker COLORADO | **CBMP** | **SP**
CONSTRUCTION BEST MANAGEMENT PRACTICES | JUNE 2006

NO.	REVISION	BY	DATE

EES
ENGINEERING AND
SOLUTIONS, INC.
501 S Cherry St, Suite 300
Glendale, CO 80246
303-672-7997 www.ees-us.com

CONSTRUCTION DOCUMENTS
CONVENIENCE STORE
12181 AND 12191 SLICEROD DRIVE, PARKER, CO 80134
CBMP DETAILS

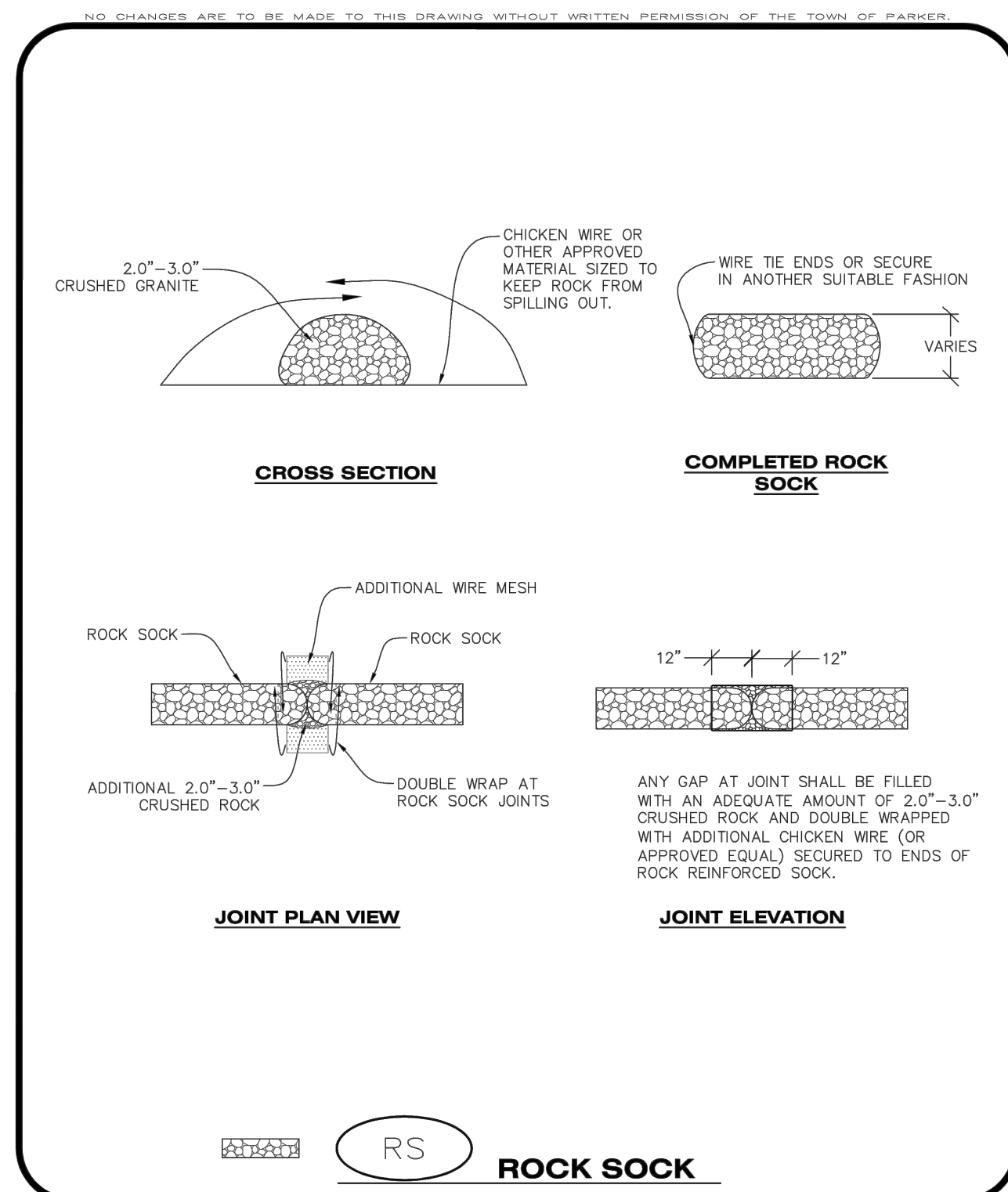
PROJECT NO: _____
DESIGNED BY: LCG
DRAWN BY: JLG
DATE: 09/21/2021
C4.5

THE TOWN OF PARKER REVIEW CONSTITUTES GENERAL COMPLIANCE WITH THE TOWN'S STANDARDS AND APPROVED VARIANCES. SUBJECT TO THESE PLANS BEING STAMPED, SIGNED, AND DATED BY THE PROFESSIONAL ENGINEER OF RECORD. REVIEW BY THE TOWN DOES NOT CONSTITUTE APPROVAL OF THE PLAN DESIGN OR ACCURACY AND CORRECTNESS OF ENGINEERING CALCULATIONS. ERRORS IN THE DESIGN OR CALCULATIONS REMAIN THE RESPONSIBILITY OF THE REGISTERED PROFESSIONAL ENGINEER WHOSE STAMP AND SIGNATURE ARE AFFIXED TO THIS DOCUMENT. THIS REVIEW DOES NOT CONSTITUTE APPROVAL OF ANY PRIVATE ON-SITE IMPROVEMENTS WHICH MAY BE SHOWN. CONSTRUCTION CANNOT COMMENCE UNTIL ALL REQUIRED DRAINAGE/TRAFFIC REPORT(S), FINAL DEVELOPMENT PLAN(S), SPECIAL REVIEW(S), GRADING PERMIT, AND/OR OTHER PERMITS ARE COMPLETE, APPROVED AND ON FILE WITH THE TOWN OF PARKER.

TOWN OF PARKER, _____ DATE
DIRECTOR OF ENGINEERING/PUBLIC WORKS

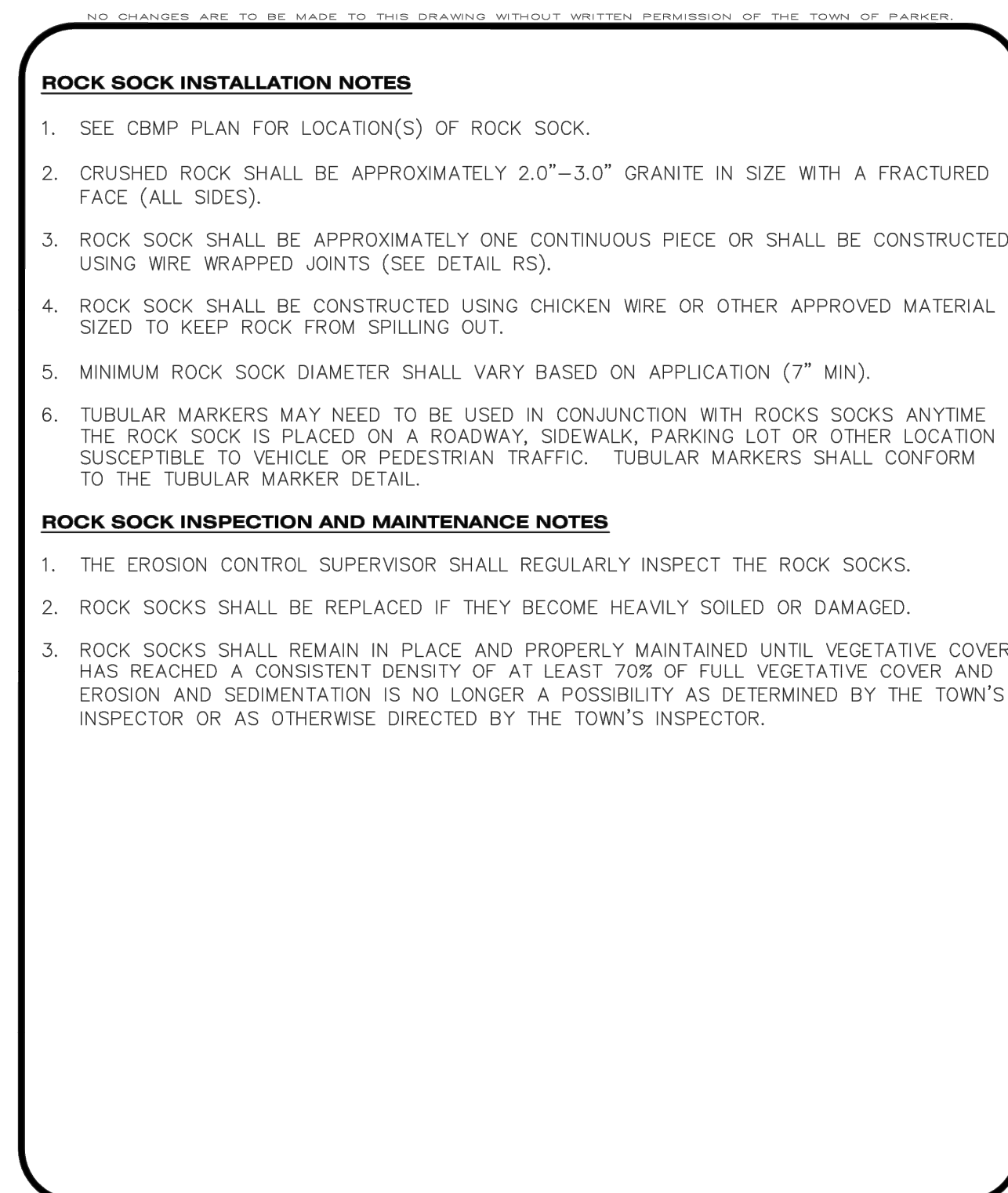
9/24/2021 2:56 PM P:\TWINSTAR ENERGY\CO, PARKER - CHAMBERS & HESS\08 CAD\CAD\SLIPLOT_1\C4.3 - EROSION CONTROL DETAILS.DWG

811
CALL UTILITY NOTIFICATION
CENTER OF COLORADO
1-800-922-1987 or 811
CALL 3-BUSINESS DAYS (NOT INCLUDING INITIAL DAY OF CONTACT) IN ADVANCE BEFORE YOU DIG, GRADE, OR EXCAVATE FOR THE MARKING OF UNDERGROUND MEMBER UTILITIES.
Know what's below.
Call before you dig.



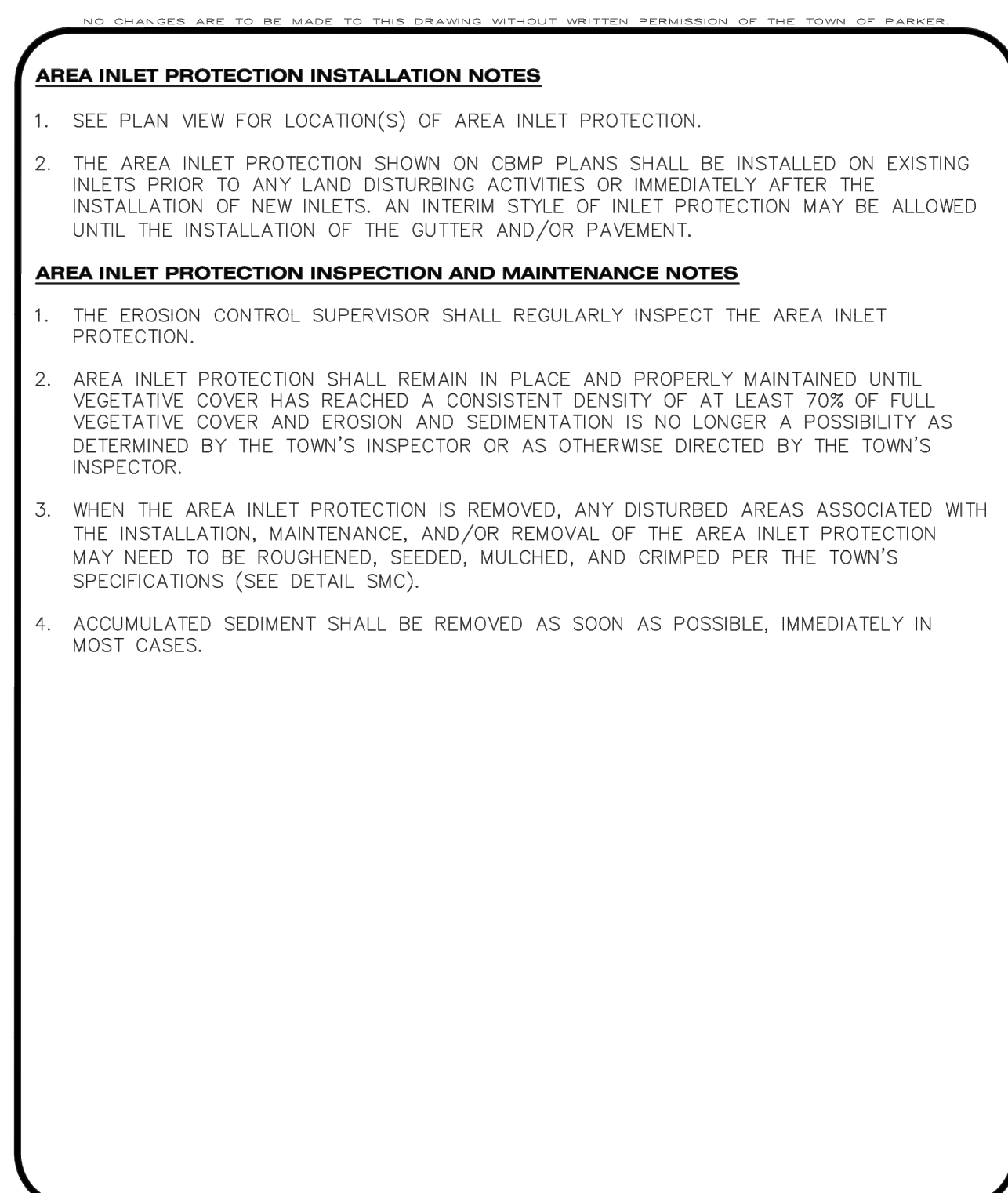
CBMP CONSTRUCTION BEST MANAGEMENT PRACTICES

1 OF 2
Oct. 2013



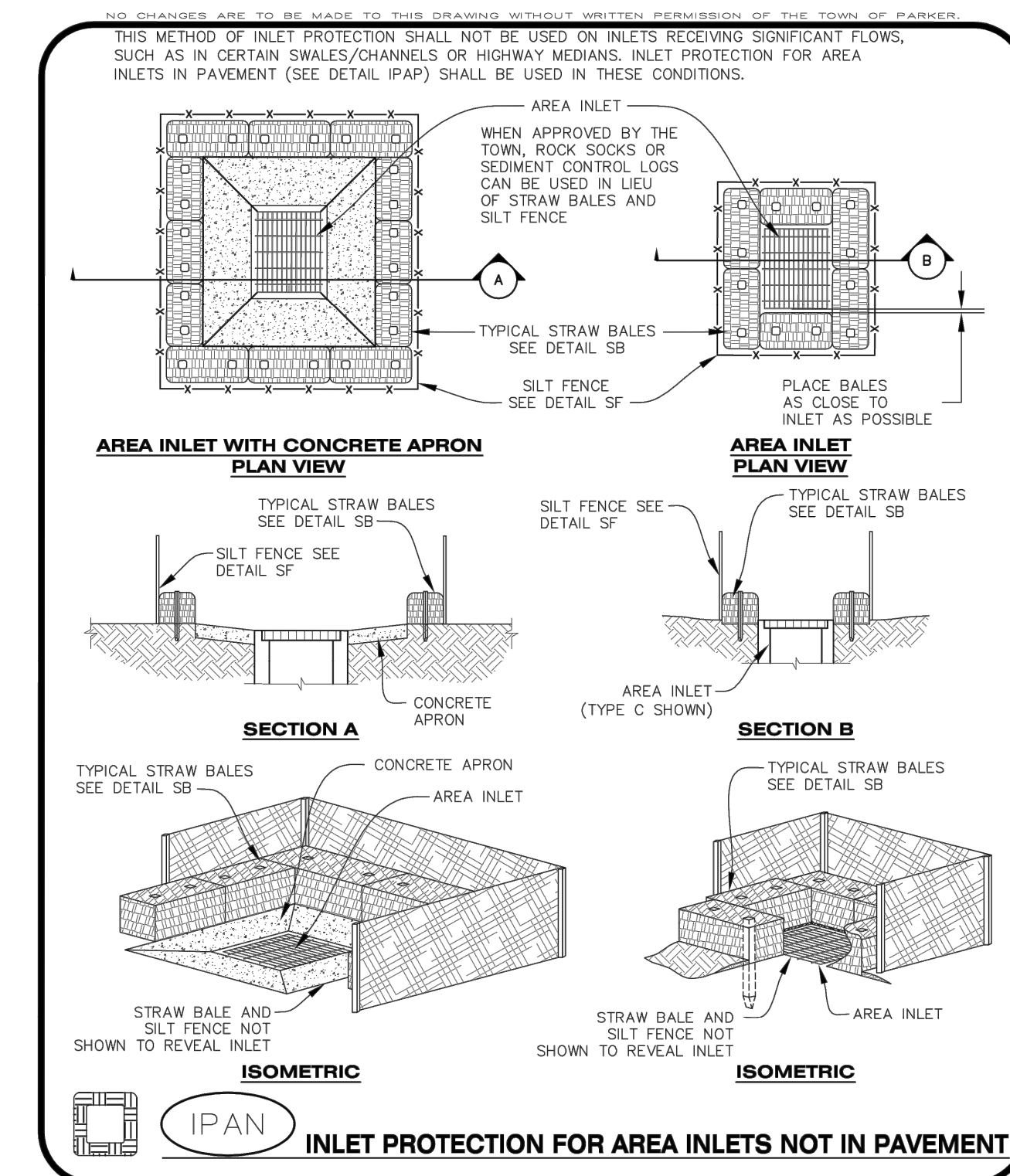
CBMP CONSTRUCTION BEST MANAGEMENT PRACTICES

2 OF 2
Oct. 2013



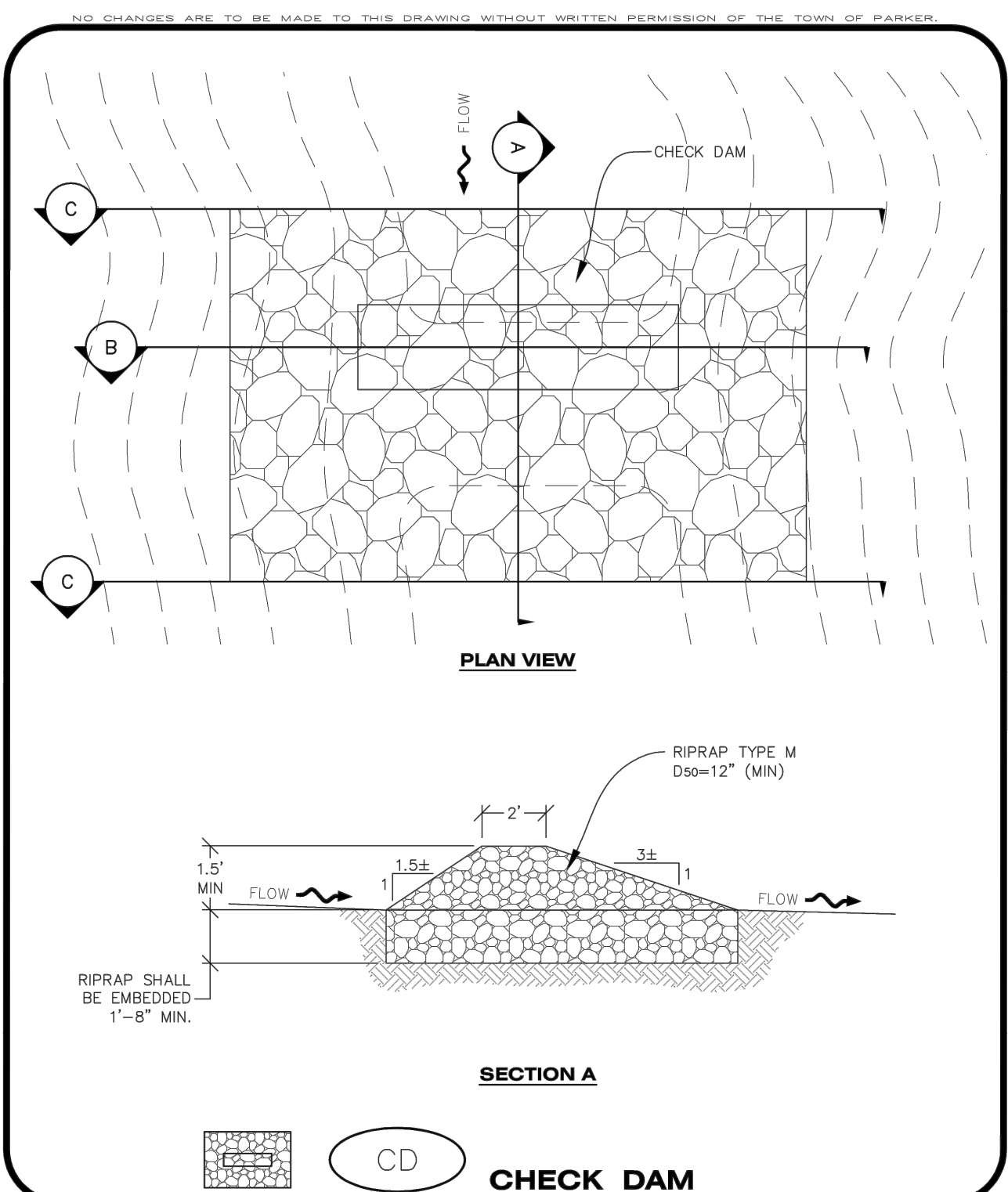
CBMP CONSTRUCTION BEST MANAGEMENT PRACTICES

1 OF 1
Oct. 2013



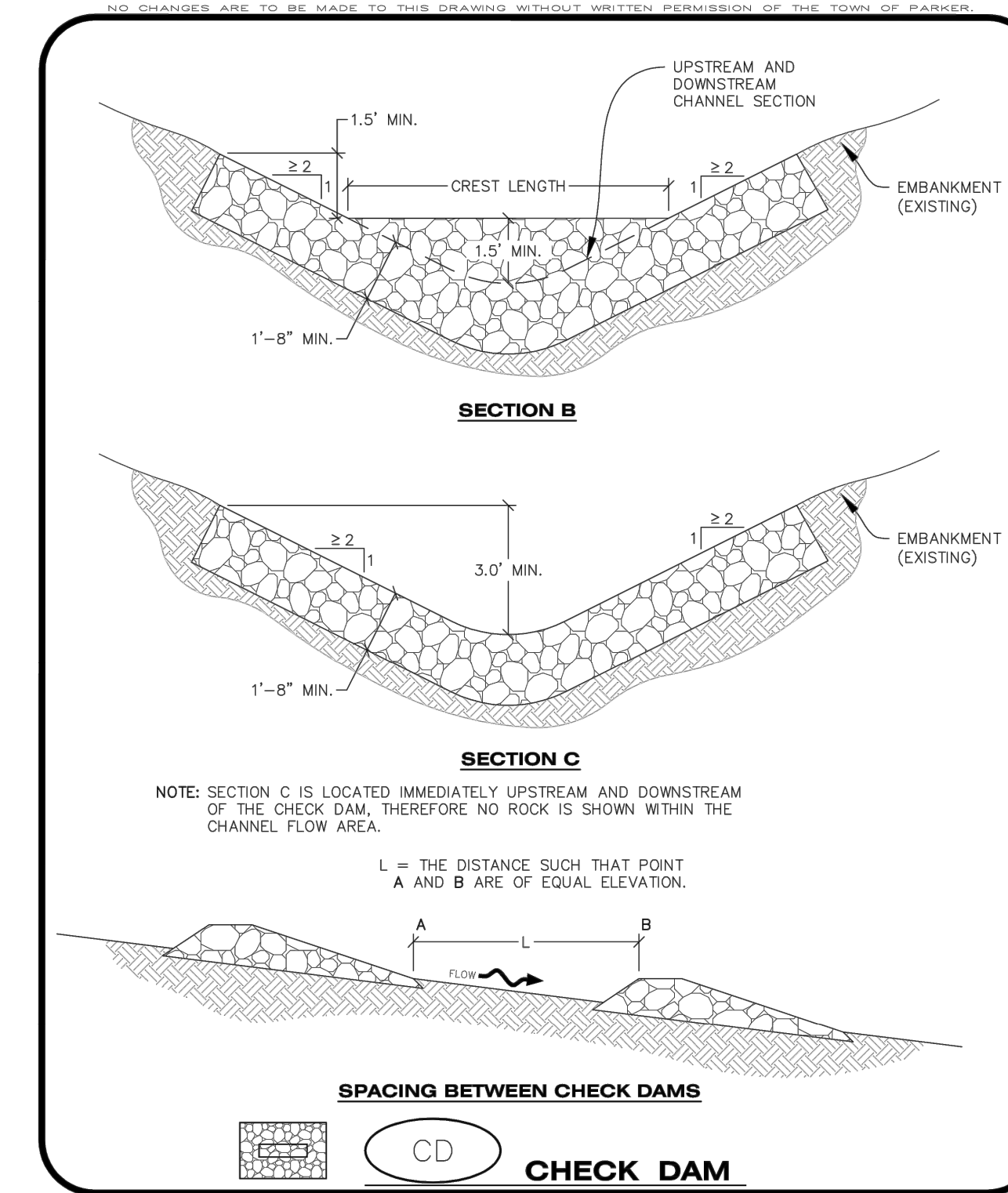
CBMP CONSTRUCTION BEST MANAGEMENT PRACTICES

1 OF 1
Oct. 2013



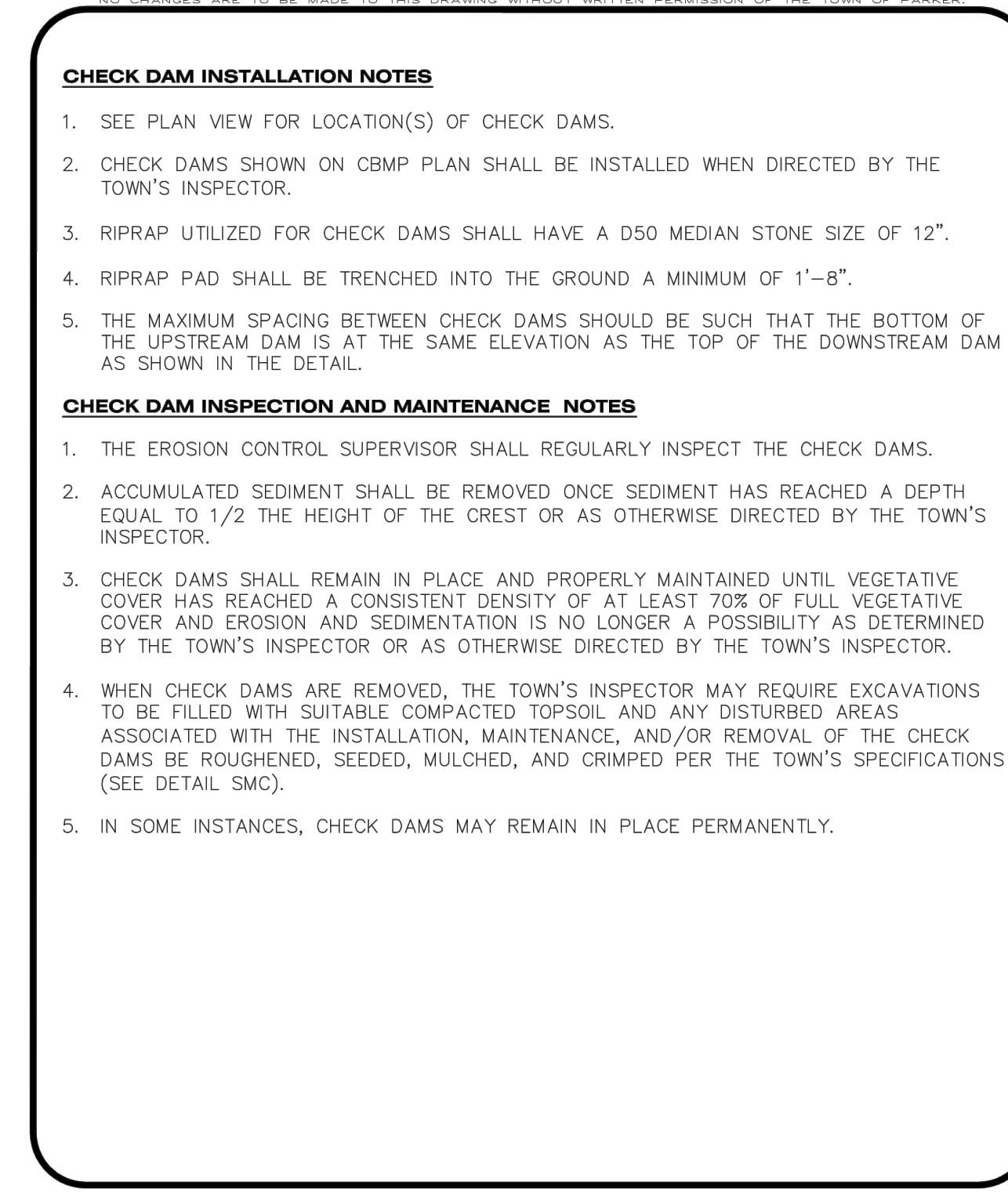
CBMP CONSTRUCTION BEST MANAGEMENT PRACTICES

1 OF 3
Oct. 2013



CBMP CONSTRUCTION BEST MANAGEMENT PRACTICES

2 OF 3
Oct. 2013



CBMP CONSTRUCTION BEST MANAGEMENT PRACTICES

3 OF 3
Oct. 2013

NO.	REVISION	BY	DATE

EES ENGINEERING AND SOLUTIONS, INC.

501 S Cherry St, Suite 300
Glen Dale, CO 80246
303-672-7997 www.ees-us.com

CONSTRUCTION DOCUMENTS

CONVENIENCE STORE

CBMP DETAILS

12181 AND 12191 SLICEROO DRIVE, PARKER, CO 80134

PROJECT NO: _____

DESIGNED BY: LCG

DRAWN BY: JLG

DATE: 09/21/2021

C4.6

811

CALL UTILITY NOTIFICATION CENTER OF COLORADO

1-800-922-1987 or 811

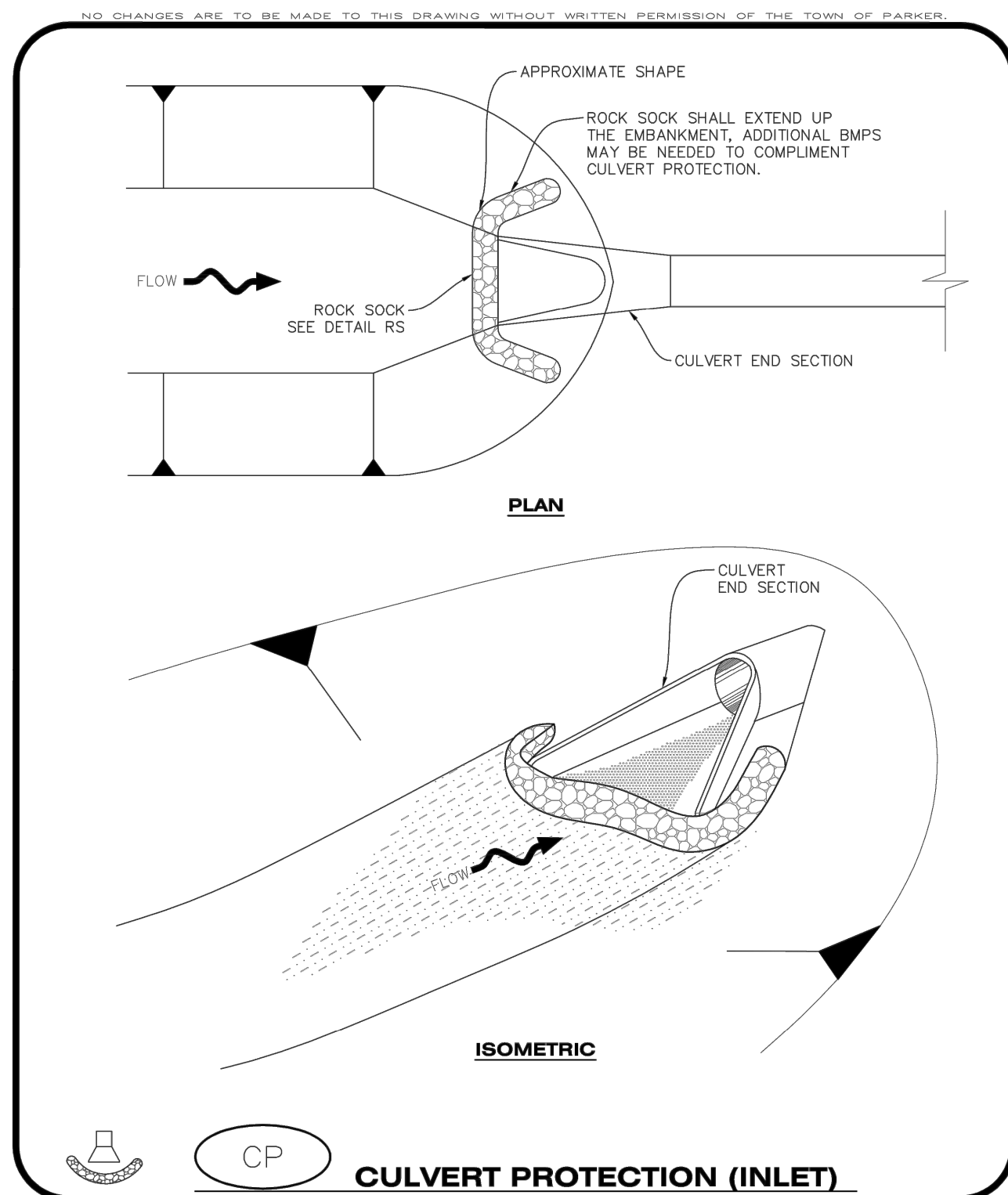
CALL 3-BUSINESS DAYS (NOT INCLUDING INITIAL DAY OF CONTACT) IN ADVANCE BEFORE YOU DIG, GRADE, OR EXCAVATE FOR THE MARKING OF UNDERGROUND MEMBER UTILITIES.

Know what's below. Call before you dig.

THE TOWN OF PARKER REVIEW CONSTITUTES GENERAL COMPLIANCE WITH THE TOWN'S STANDARDS AND APPROVED VARIANCES. SUBJECT TO THESE PLANS BEING STAMPED, SIGNED, AND DATED BY THE PROFESSIONAL ENGINEER OF RECORD. REVIEW BY THE TOWN DOES NOT CONSTITUTE APPROVAL OF THE PLAN DESIGN OR ACCURACY AND CORRECTNESS OF ENGINEERING CALCULATIONS. ERRORS IN THE DESIGN OR CALCULATIONS REMAIN THE RESPONSIBILITY OF THE REGISTERED PROFESSIONAL ENGINEER WHOSE STAMP AND SIGNATURE ARE AFFIXED TO THIS DOCUMENT. THIS REVIEW DOES NOT CONSTITUTE APPROVAL OF ANY PRIVATE ON-SITE IMPROVEMENTS WHICH MAY BE SHOWN. CONSTRUCTION CANNOT COMMENCE UNTIL ALL REQUIRED DRAINAGE/TRAFFIC REPORT(S), FINAL DEVELOPMENT PLAN(S), SPECIAL REVIEW(S), GRADING PERMIT, AND/OR OTHER PERMITS ARE COMPLETE, APPROVED AND ON FILE WITH THE TOWN OF PARKER.

TOWN OF PARKER, DIRECTOR OF ENGINEERING/PUBLIC WORKS

DATE



CP
CULVERT PROTECTION (INLET)
CBMP
 CONSTRUCTION BEST MANAGEMENT PRACTICES
 1 OF 2
 Oct. 2013

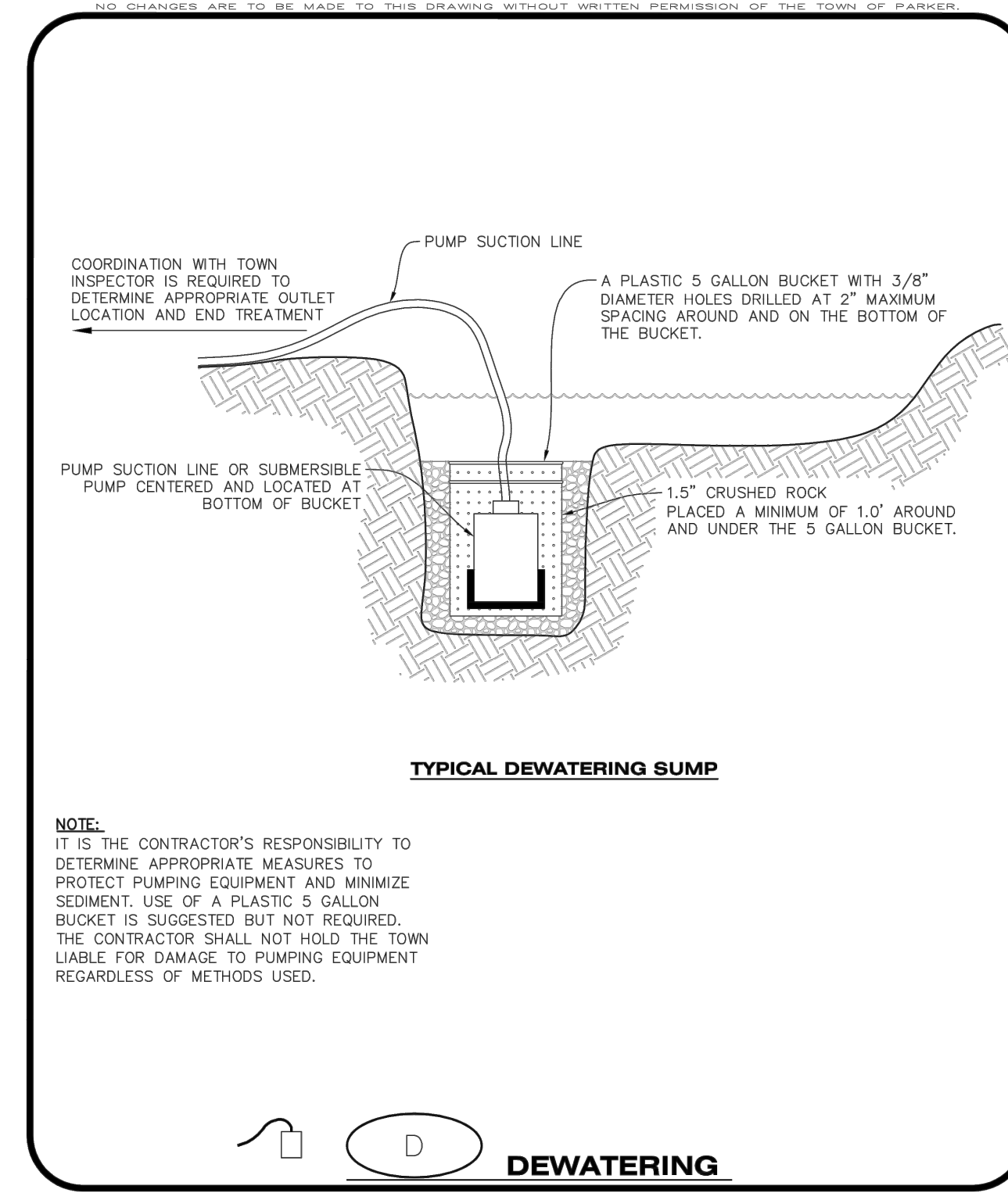
CULVERT PROTECTION (INLET) INSTALLATION NOTES

1. SEE PLAN VIEW FOR LOCATION(S) OF CULVERT PROTECTION (INLET).
2. ROCK SOCK SHALL BE CONSTRUCTED ACCORDING TO THE DETAIL (SEE DETAIL RS).
3. ROCK SOCK SHALL BE APPROXIMATELY 12" IN DIAMETER.
4. ROCK SOCK SHALL EXTEND ABOVE THE FLOW LINE ELEVATION ON BOTH SIDES OF THE CULVERT END SECTION.

CULVERT PROTECTION (INLET) INSPECTION AND MAINTENANCE NOTES

1. THE EROSION CONTROL SUPERVISOR SHALL REGULARLY INSPECT THE CULVERT PROTECTION (INLET).
2. AT A MINIMUM, ACCUMULATED SEDIMENT SHALL BE REMOVED ONCE SEDIMENT HAS REACHED A DEPTH EQUAL TO 1/2 THE HEIGHT OF THE ROCK SOCK.
3. CULVERT PROTECTION (INLET) IS TO REMAIN IN PLACE AND PROPERLY MAINTAINED UNTIL VEGETATIVE COVER HAS REACHED A CONSISTENT DENSITY OF AT LEAST 70% OF FULL VEGETATIVE COVER AND EROSION AND SEDIMENTATION IS NO LONGER A POSSIBILITY AS DETERMINED BY THE TOWN'S INSPECTOR OR AS OTHERWISE DIRECTED BY THE TOWN'S INSPECTOR.
4. WHEN THE CULVERT INLET PROTECTION IS REMOVED, THE TOWN'S INSPECTOR MAY REQUIRE ANY DISTURBED AREAS ASSOCIATED WITH THE INSTALLATION, MAINTENANCE, AND/OR REMOVAL OF THE CULVERT INLET PROTECTION TO BE ROUGHENED, SEEDED, MULCHED, AND CRIMPED PER THE TOWN'S SPECIFICATIONS (SEE DETAIL SMC).

CP
CULVERT PROTECTION (INLET)
CBMP
 CONSTRUCTION BEST MANAGEMENT PRACTICES
 2 OF 2
 Oct. 2013



D
DEWATERING
CBMP
 CONSTRUCTION BEST MANAGEMENT PRACTICES
 1 OF 2
 Oct. 2013

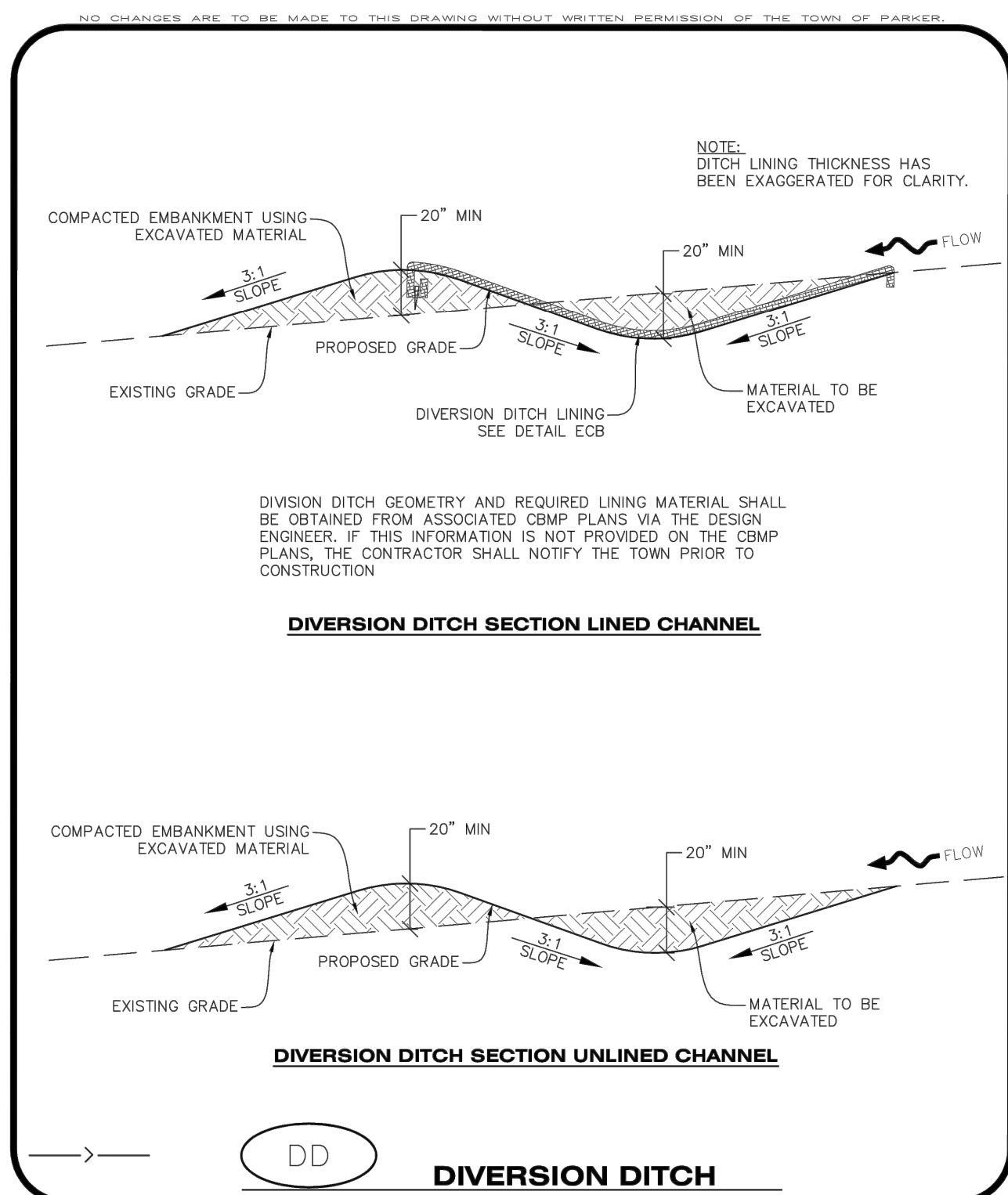
DEWATERING INSTALLATION NOTES

1. IT IS THE EROSION CONTROL SUPERVISOR'S RESPONSIBILITY TO ENSURE THAT ALL DEWATERING IS PERFORMED IN ACCORDANCE WITH THE REQUIREMENTS OF THE COLORADO DEPARTMENT OF PUBLIC HEALTH AND ENVIRONMENT (CDPHE).

DEWATERING MAINTENANCE NOTES

1. THE EROSION CONTROL SUPERVISOR SHALL INSPECT THE DEWATERING OPERATION TO ENSURE THAT THE DISCHARGE WATER IS DRAINING TO THE PROPER LOCATION(S) AND PERFORM ANY NECESSARY REPAIRS OR MAINTENANCE ON A FREQUENT BASIS.

D
DEWATERING
CBMP
 CONSTRUCTION BEST MANAGEMENT PRACTICES
 2 OF 2
 Oct. 2013



DD
DIVERSION DITCH
CBMP
 CONSTRUCTION BEST MANAGEMENT PRACTICES
 1 OF 2
 Oct. 2013

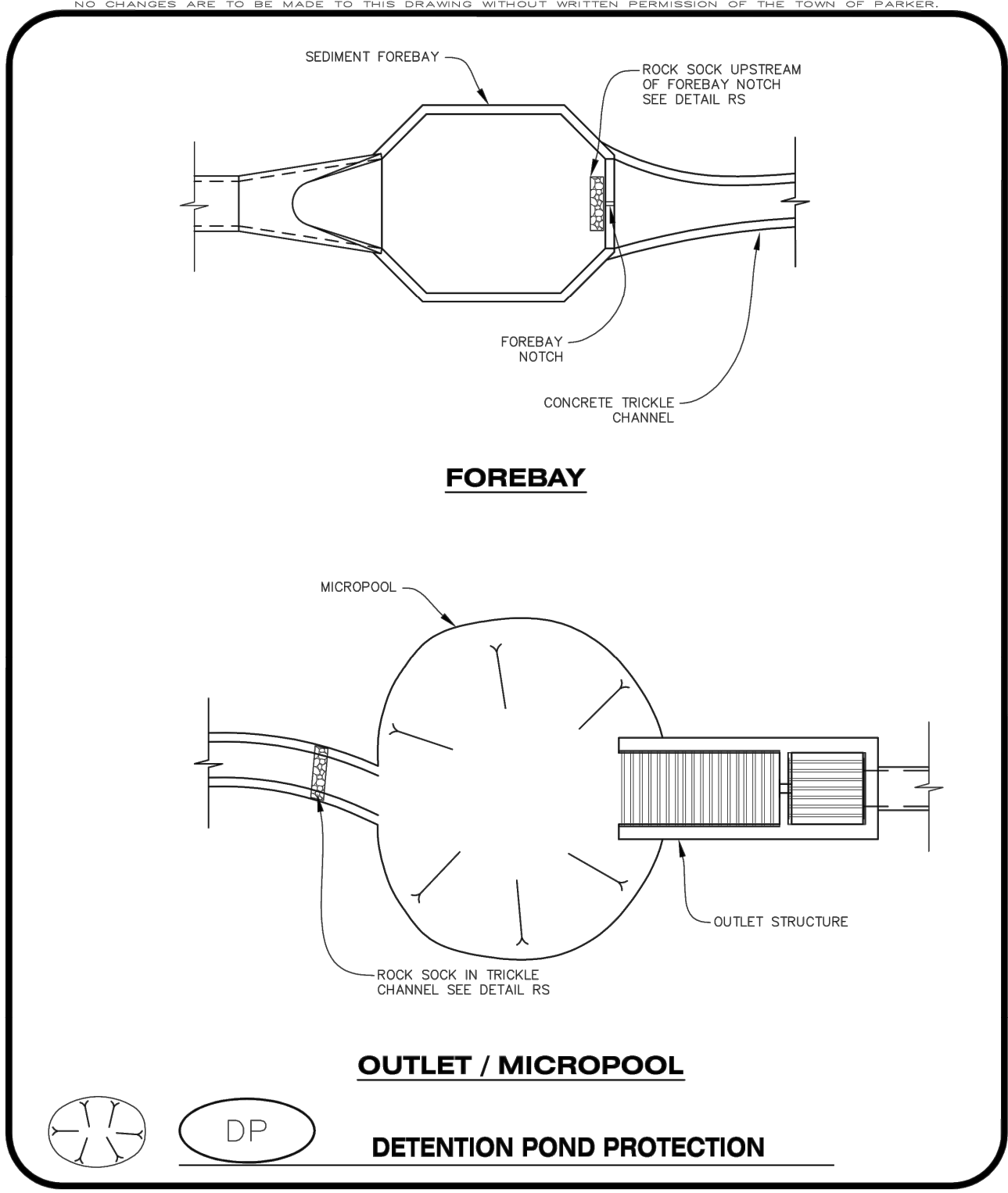
DIVERSION DITCH INSTALLATION NOTES

1. SEE THE PLAN VIEW FOR THE LOCATION(S) OF THE DIVERSION DITCHES.
2. A PLASTIC LINER, RIPRAP, OR EROSION CONTROL BLANKET MAY BE NECESSARY TO PROTECT THE DIVERSION DITCH. THE REQUIRED LINING MATERIAL SHALL BE OBTAINED FROM THE CBMP PLANS VIA THE DESIGN ENGINEER.
3. ALL MATERIAL EXCAVATED FROM THE DITCH MAY BE USED TO CONSTRUCT THE BERM ON THE DOWNHILL SIDE OF THE DITCH.
4. THE DIVERSION DITCH SHALL BE A MINIMUM OF 20" DEEP WITH APPROX. 3:1 SIDE SLOPES. THE ADJACENT BERM SHALL BE A MINIMUM OF 20" IN HEIGHT WITH APPROX. 3:1 SIDE SLOPES. ALL EMBANKMENTS SHALL BE FIRMLY COMPACTED.
5. THE DISCHARGE FROM THE DIVERSION DITCH SHALL BE DIRECTED TOWARDS AN APPROPRIATELY SIZED TEMPORARY SEDIMENT BASIN OR OTHER APPROVED AREA.

DIVERSION DITCH INSPECTION AND MAINTENANCE NOTES

1. THE EROSION CONTROL SUPERVISOR SHALL REGULARLY INSPECT THE DIVERSION DITCH.
2. ACCUMULATED SEDIMENT SHALL BE REMOVED ONCE THE SEDIMENT HAS REACHED A DEPTH EQUAL TO 1/2 (10") THE CREST HEIGHT.
3. DIVERSION DITCHES SHALL BE RE-GRADED FOLLOWING THE SIGNS OF MODERATE OR MORE SOIL EROSION OR ANY DAMAGE.
4. DIVERSION DITCHES ARE TO REMAIN IN PLACE AND PROPERLY MAINTAINED UNTIL VEGETATIVE COVER HAS REACHED A CONSISTENT DENSITY OF AT LEAST 70% OF FULL VEGETATIVE COVER AND EROSION AND SEDIMENTATION IS NO LONGER A POSSIBILITY AS DETERMINED BY THE TOWN'S INSPECTOR OR AS OTHERWISE DIRECTED BY THE TOWN'S INSPECTOR. ALTERNATIVELY, THE DIVERSION DITCHES MAY BE REMOVED WHEN THE SITE'S TOPOGRAPHY CHANGES SUCH THAT SIGNIFICANT RUNOFF IS NO LONGER POSSIBLE. IN SOME INSTANCES, THE DIVERSION DITCHES MAY REMAIN IN PLACE PERMANENTLY.

DD
DIVERSION DITCH
CBMP
 CONSTRUCTION BEST MANAGEMENT PRACTICES
 2 OF 2
 Oct. 2013



DP
DETENTION POND PROTECTION
CBMP
 CONSTRUCTION BEST MANAGEMENT PRACTICES
 1 OF 2
 Oct. 2013

THE TOWN OF PARKER REVIEW CONSTITUTES GENERAL COMPLIANCE WITH THE TOWN'S STANDARDS AND APPROVED VARIANCES. SUBJECT TO THESE PLANS BEING STAMPED, SIGNED, AND DATED BY THE PROFESSIONAL ENGINEER OF RECORD. REVIEW BY THE TOWN DOES NOT CONSTITUTE APPROVAL OF THE PLAN DESIGN OR ACCURACY AND CORRECTNESS OF ENGINEERING CALCULATIONS. ERRORS IN THE DESIGN OR CALCULATIONS REMAIN THE RESPONSIBILITY OF THE REGISTERED PROFESSIONAL ENGINEER WHOSE STAMP AND SIGNATURE ARE AFFIXED TO THIS DOCUMENT. THIS REVIEW DOES NOT CONSTITUTE APPROVAL OF ANY PRIVATE ON-SITE IMPROVEMENTS WHICH MAY BE SHOWN. CONSTRUCTION CANNOT COMMENCE UNTIL ALL REQUIRED DRAINAGE/TRAFFIC REPORT(S), FINAL DEVELOPMENT PLAN(S), SPECIAL REVIEW(S), GRADING PERMIT, AND/OR OTHER PERMITS ARE COMPLETE, APPROVED AND ON FILE WITH THE TOWN OF PARKER.

TOWN OF PARKER, _____ DATE _____
 DIRECTOR OF ENGINEERING/PUBLIC WORKS

NO.	REVISION	BY	DATE

EES
 ENGINEERING AND
 ENVIRONMENTAL
 SOLUTIONS, INC.
 501 S Cherry St, Suite 300
 Glendale, CO 80246
 303-672-7997 www.ees-us.com

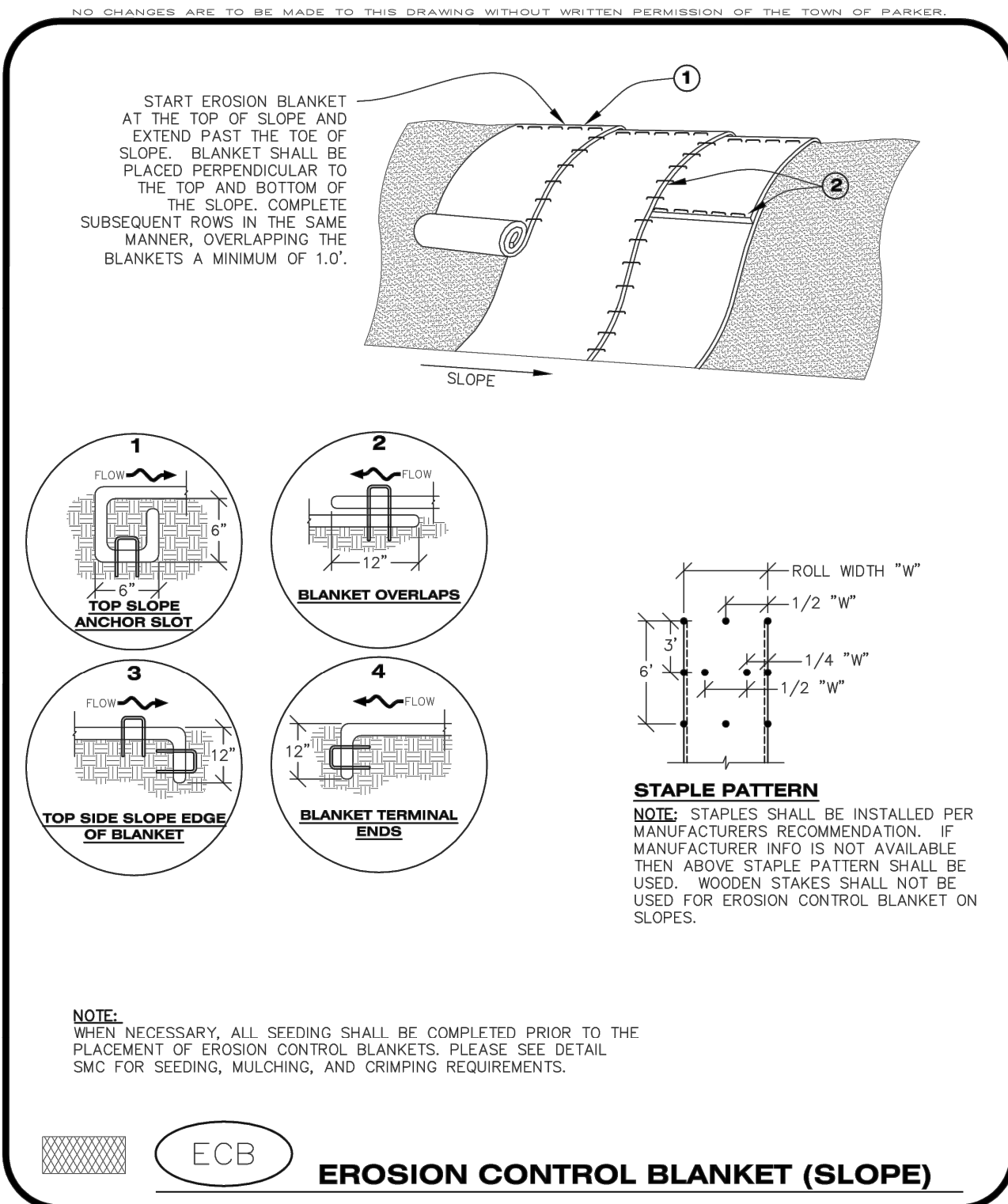
CONSTRUCTION DOCUMENTS
CONVENIENCE STORE
 12181 AND 12191 SLICEROO DRIVE, PARKER, CO 80134
CBMP DETAILS

PROJECT NO: _____
 DESIGNED BY: LCG
 DRAWN BY: JLG
 DATE: 09/21/2021

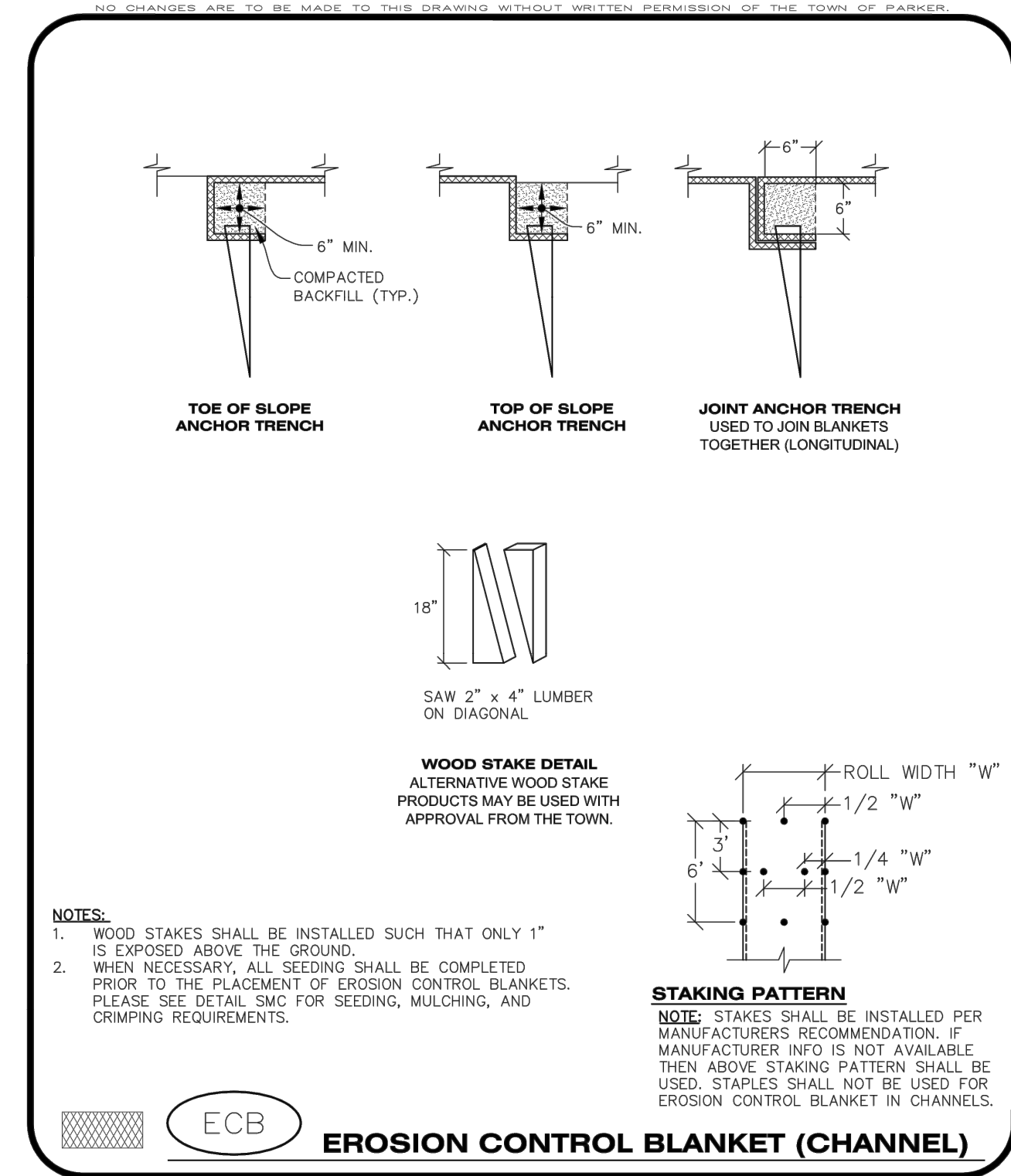
C4.7

811
 CALL UTILITY NOTIFICATION
 CENTER OF COLORADO
 1-800-922-1987 or 811
 CALL 3-BUSINESS DAYS (NOT INCLUDING INITIAL DAY OF CONTACT) IN ADVANCE BEFORE YOU DIG, GRADE, OR EXCAVATE FOR THE MARKING OF UNDERGROUND MEMBER UTILITIES.

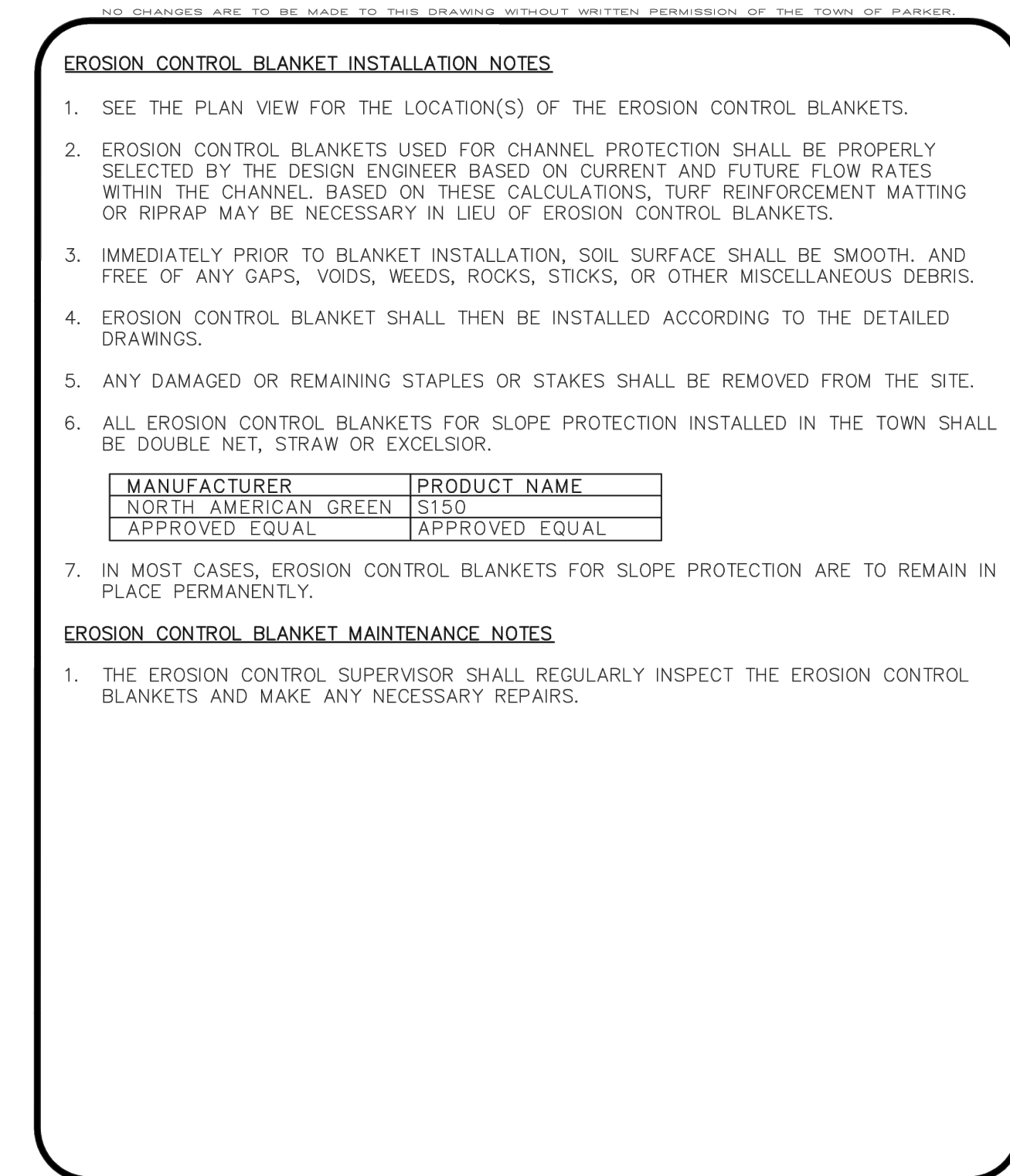
Know what's below.
 Call before you dig.



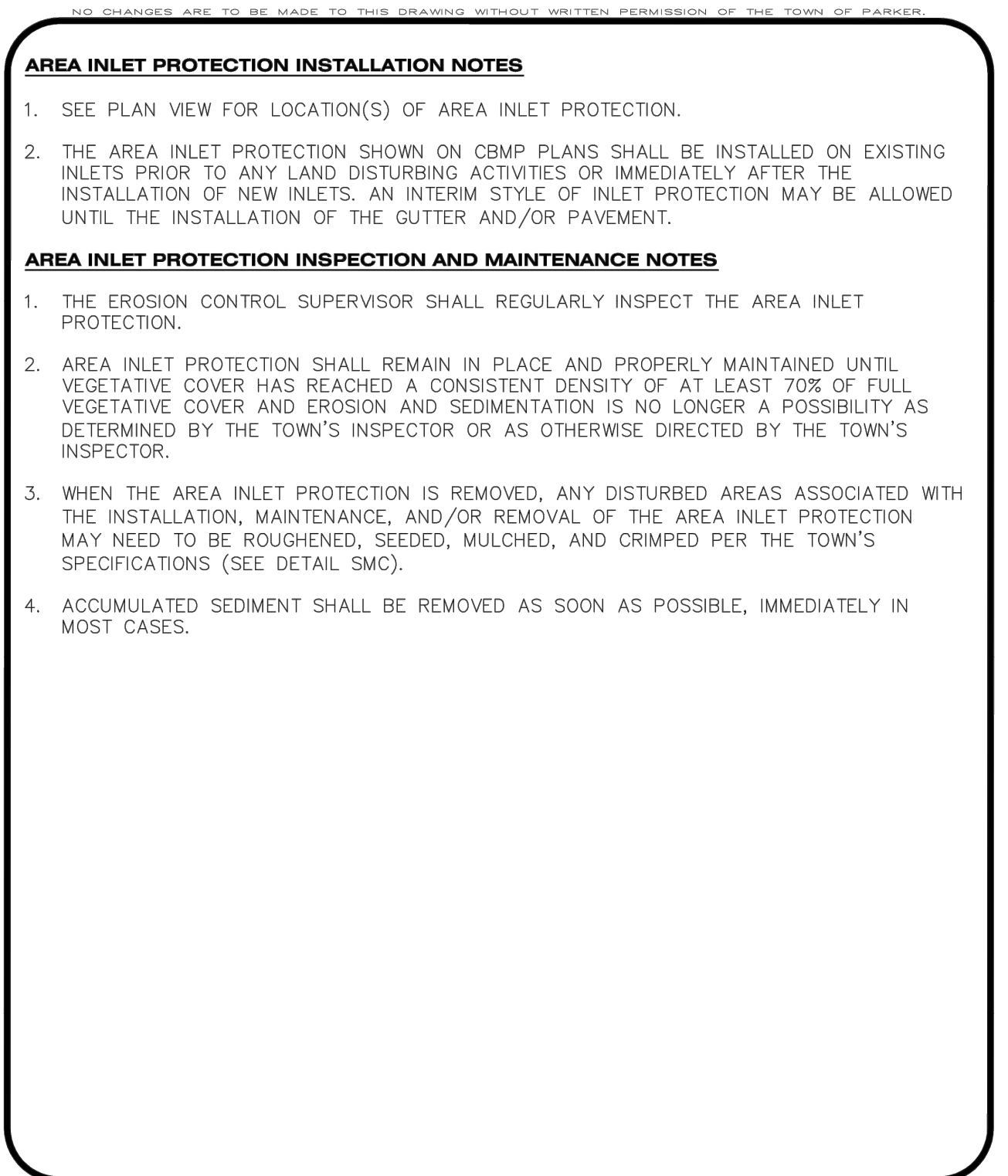
Parker COLORADO | **CBMP** | **CONSTRUCTION BEST MANAGEMENT PRACTICES** | **ECB** | 1 OF 3 | Oct. 2013



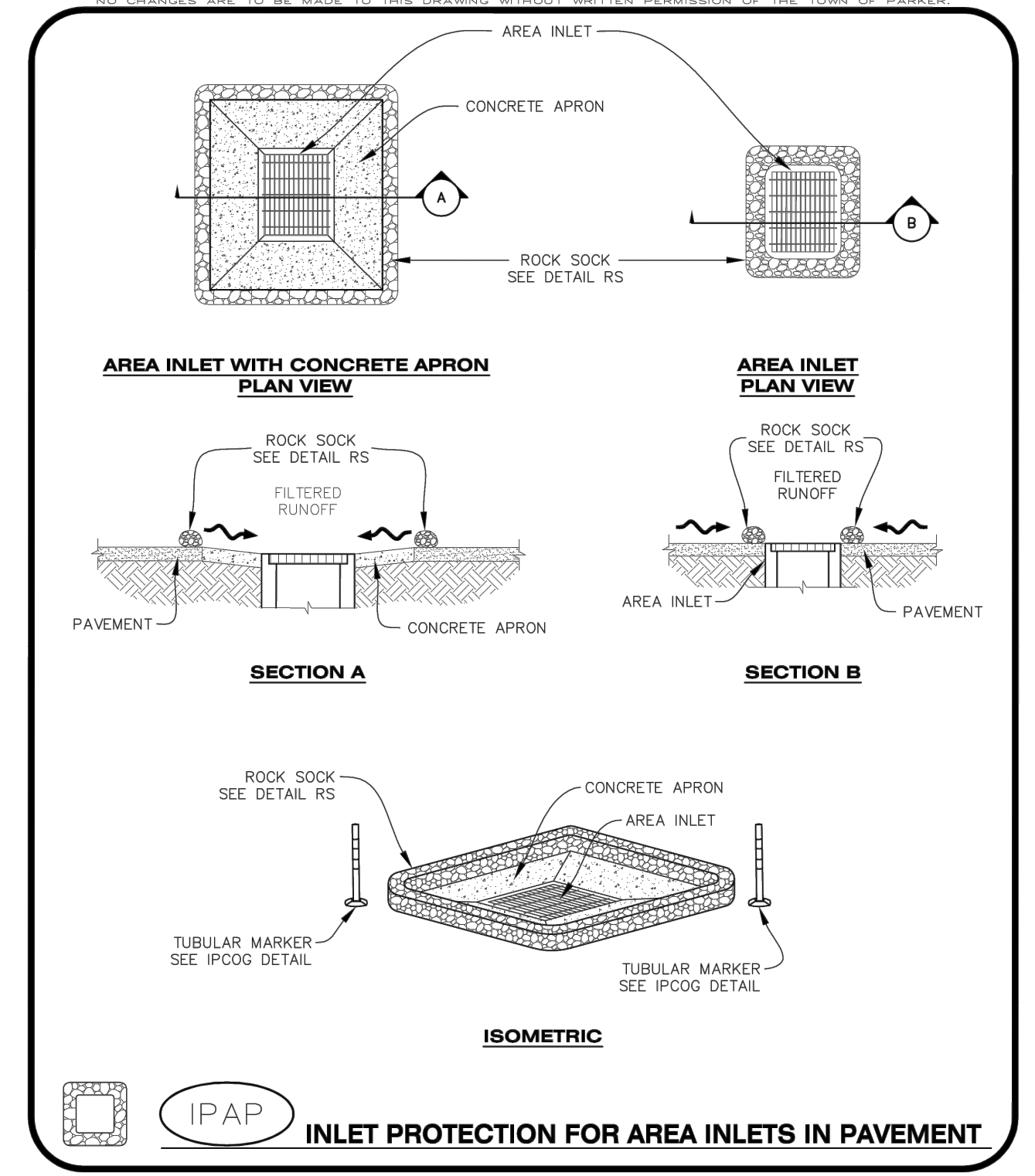
Parker COLORADO | **CBMP** | **CONSTRUCTION BEST MANAGEMENT PRACTICES** | **ECB** | 2 OF 3 | Oct. 2013



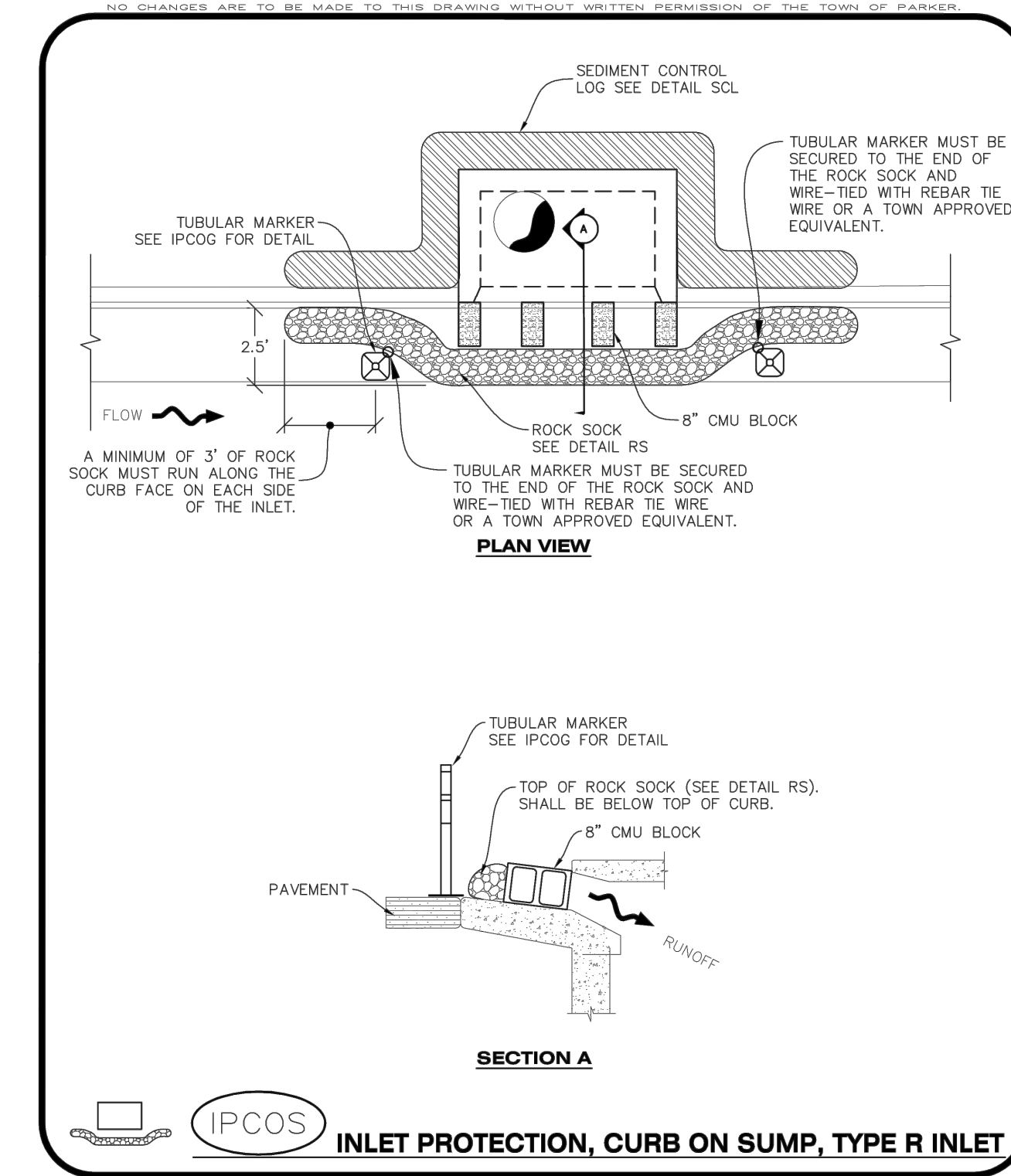
Parker COLORADO | **CBMP** | **CONSTRUCTION BEST MANAGEMENT PRACTICES** | **ECB** | 3 OF 3 | Oct. 2013



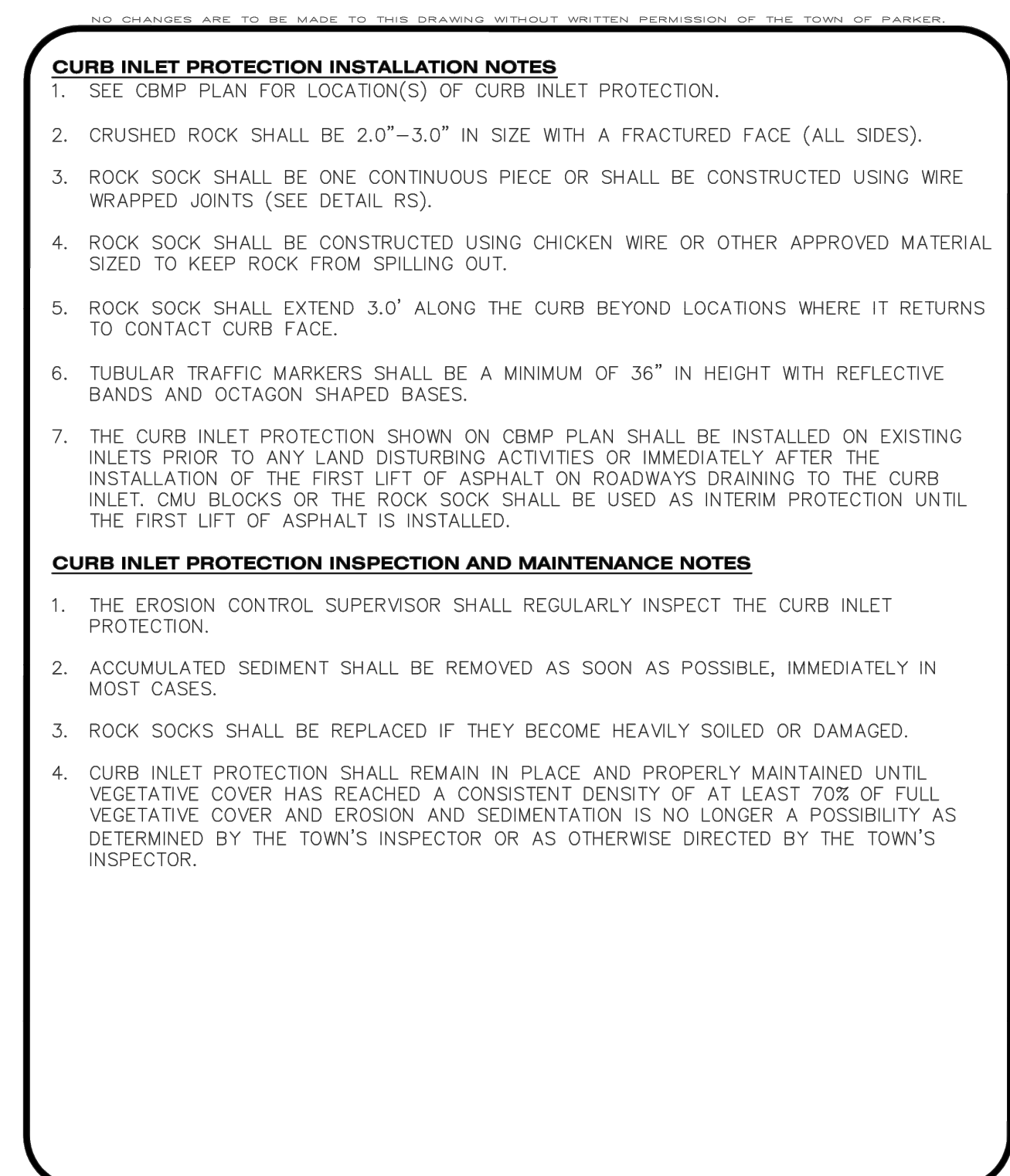
Parker COLORADO | **CBMP** | **CONSTRUCTION BEST MANAGEMENT PRACTICES** | **IPA** | 1 OF 1 | Oct. 2013



Parker COLORADO | **CBMP** | **CONSTRUCTION BEST MANAGEMENT PRACTICES** | **IPAP** | 1 OF 1 | Oct. 2013



Parker COLORADO | **CBMP** | **CONSTRUCTION BEST MANAGEMENT PRACTICES** | **IPCOS** | 1 OF 2 | Oct. 2013



Parker COLORADO | **CBMP** | **CONSTRUCTION BEST MANAGEMENT PRACTICES** | **IPCOS** | 2 OF 2 | Oct. 2013

DATE	BY	REVISION

EES ENGINEERING AND SOLUTIONS, INC.
501 S Cherry St, Suite 300
Glendale, CO 80246
303-672-7997 www.ees.us.com

Parker COLORADO | **CONSTRUCTION DOCUMENTS** | **CONVENIENCE STORE** | **CBMP DETAILS**

12181 AND 12191 SLICEROO DRIVE, PARKER, CO 80134

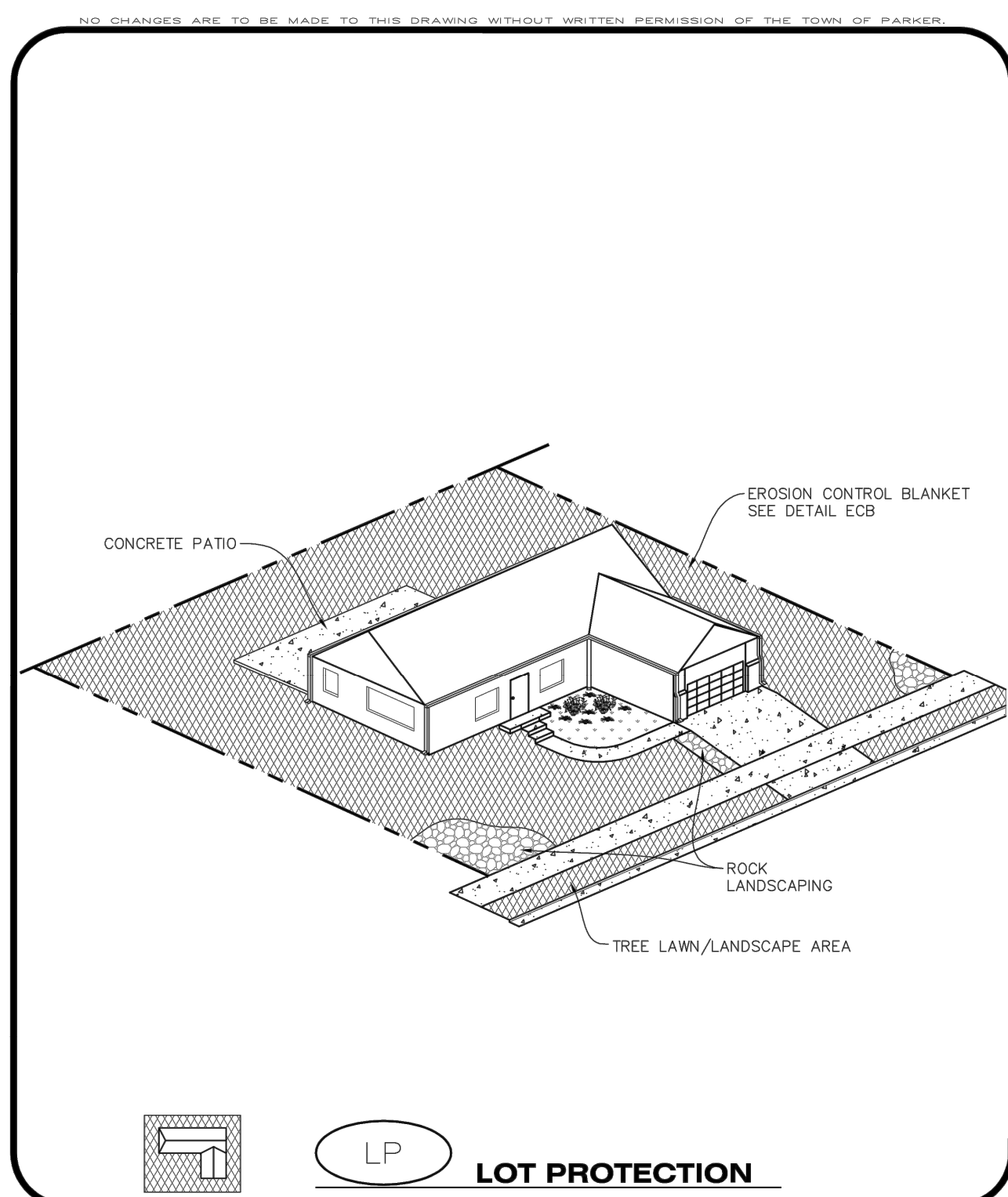
CONSTRUCTION DOCUMENTS
CONVENIENCE STORE
CBMP DETAILS

PROJECT NO: -----
DESIGNED BY: LCG
DRAWN BY: JLG
DATE: 09/21/2021

C4.8

TOWN OF PARKER, DIRECTOR OF ENGINEERING/PUBLIC WORKS

811
Know what's below. Call before you dig.
CALL UTILITY NOTIFICATION CENTER OF COLORADO
1-800-922-1987 or 811
CALL 3-BUSINESS DAYS (NOT INCLUDING INITIAL DAY OF CONTACT) IN ADVANCE BEFORE YOU DIG, GRADE, OR EXCAVATE FOR THE MARKING OF UNDERGROUND MEMBER UTILITIES.



CBMP
CONSTRUCTION BEST MANAGEMENT PRACTICES
LP
1 OF 2
Oct. 2013

NO CHANGES ARE TO BE MADE TO THIS DRAWING WITHOUT WRITTEN PERMISSION OF THE TOWN OF PARKER.

EROSION CONTROL BLANKET FOR LOT PROTECTION INSTALLATION NOTES

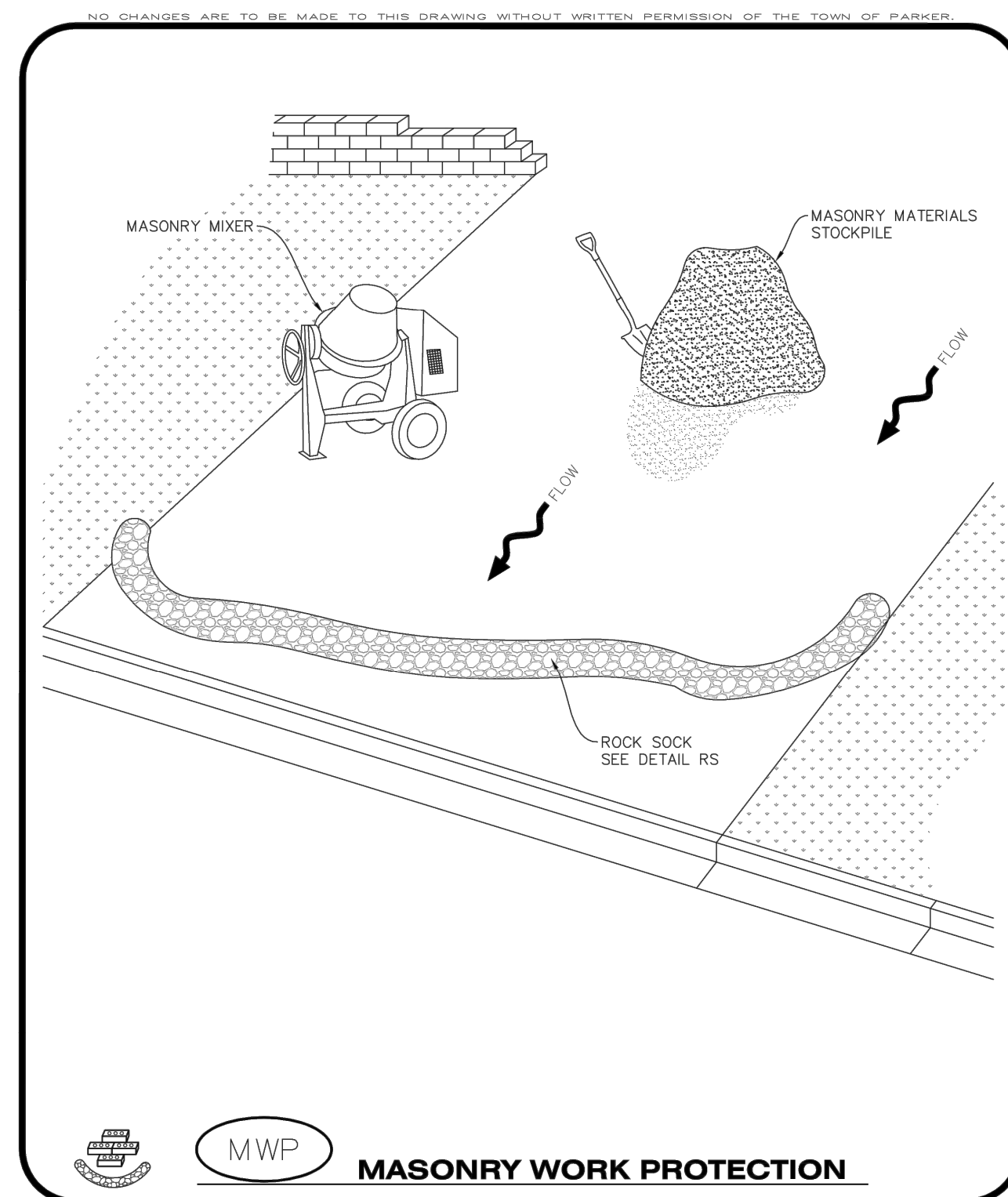
- ALL EROSION CONTROL BLANKETS FOR LOT PROTECTION INSTALLED IN THE TOWN SHALL MEET THE FOLLOWING MINIMUM REQUIREMENTS:

MANUFACTURER	PRODUCT NAME
NORTH AMERICAN GREEN APPROVED EQUAL	ST50 BN APPROVED EQUAL
- ALL EROSION CONTROL BLANKETS FOR LOT PROTECTION SHALL BE INSTALLED ACCORDING TO THE DETAIL DRAWINGS, WITH THE FOLLOWING ALLOWANCES AND ADDITIONS:
 - THE TOWN WILL ALLOW THE USE OF BIODEGRADABLE, EROSION CONTROL BLANKET-SPECIFIC STAPLES, IN LIEU OF TRADITIONAL METAL STAPLES.
 - ALL EROSION CONTROL BLANKET EDGES (SIDES AND ENDS) MUST OVERLAP THE ADJACENT BLANKET BY A MINIMUM OF 6-INCHES WITH THE UP-GRADE EDGES BEING PLACED ON TOP OF THE DOWN-GRADE EDGE OF THE ADJACENT BLANKET.
 - THE EDGES (SIDES AND ENDS) OF THE EROSION CONTROL BLANKETS DO NOT NEED TO BE TRENCHED INTO THE GROUND ASSUMING THE SITE CONDITIONS WILL NOT CAUSE EROSION BENEATH THE BLANKETS. THESE ASSUMPTIONS WILL BE THE RESPONSIBILITY OF THE EROSION CONTROL SUPERVISOR. ON OCCASION, THE TOWN'S INSPECTOR MAY REQUEST TRENCHING BASED UPON SITE CONDITIONS.
 - TOPSOIL PLACEMENT, SEEDING, AND MULCHING WILL NOT BE REQUIRED ON THE LOTS PRIOR TO THE INSTALLATION OF THE EROSION CONTROL BLANKET.
- ANY DAMAGED OR EXCESS STAPLES SHALL BE REMOVED FROM THE SITE FOLLOWING INSTALLATION.
- THE EROSION CONTROL BLANKETING REQUIRED AS PART OF THE LOT PROTECTION (LP) REQUIREMENT MUST BE INSTALLED OVER ALL UN-LANDSCAPED AREAS WITHIN EACH RESIDENTIAL, MULTI-FAMILY, AND COMMERCIAL LOT PRIOR TO THE ISSUANCE OF A CERTIFICATE OF OCCUPANCY / TEMPORARY CERTIFICATE OF OCCUPANCY.

EROSION CONTROL BLANKET FOR LOT PROTECTION MAINTENANCE NOTES

- THE EROSION CONTROL SUPERVISOR SHALL REGULARLY INSPECT THE EROSION CONTROL BLANKET FOR LOT PROTECTION.
- EROSION CONTROL BLANKETS FOR LOT PROTECTION ARE INTENDED TO REMAIN IN PLACE AND MAINTAINED UNTIL LANDSCAPING IS INSTALLED.

CBMP
CONSTRUCTION BEST MANAGEMENT PRACTICES
LP
2 OF 2
Oct. 2013



CBMP
CONSTRUCTION BEST MANAGEMENT PRACTICES
MWP
1 OF 2
Oct. 2013

NO CHANGES ARE TO BE MADE TO THIS DRAWING WITHOUT WRITTEN PERMISSION OF THE TOWN OF PARKER.

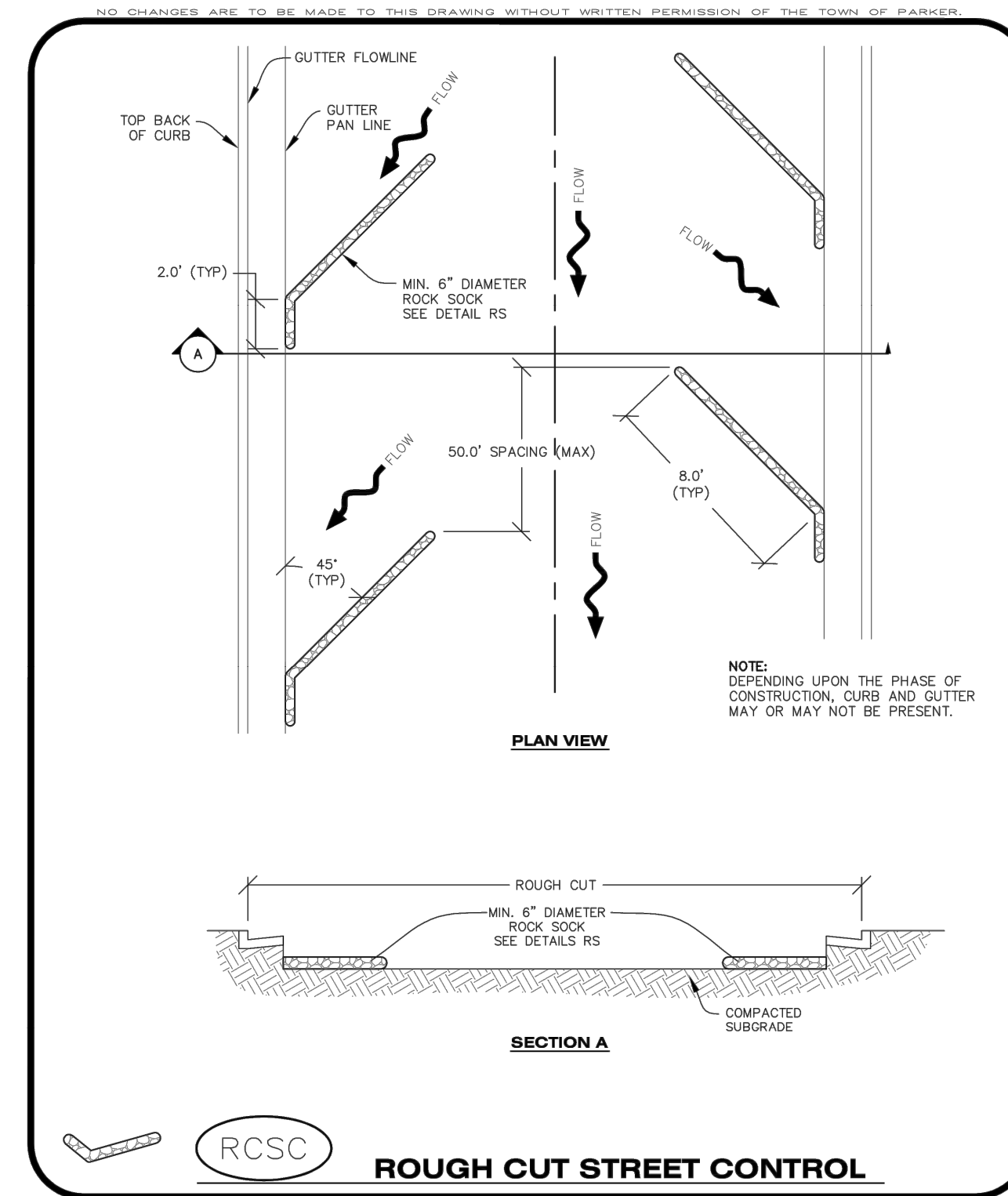
MASONRY WORK PROTECTION INSTALLATION NOTES

- MASONRY WORK PROTECTION MAY NEED TO BE INSTALLED WHEN MASONRY WORK AND MIXING IS OCCURRING.
- A ROCK SOCK SHALL BE INSTALLED IN A CRESCENT SHAPE ON THE DOWNHILL SIDE OF THE MASONRY WORK AND MIXER.
- CRUSHED ROCK SHALL BE 2.0"-3.0" IN SIZE WITH A FRACTURED FACE (ALL SIDES).
- ROCK SOCK SHALL BE ONE CONTINUOUS PIECE OR SHALL BE CONSTRUCTED USING WIRE WRAPPED JOINTS (SEE DETAIL RS).
- ROCK SOCK SHALL BE CONSTRUCTED USING CHICKEN WIRE OR OTHER APPROVED MATERIAL, SIZED TO KEEP ROCK FROM SPILLING OUT.

MASONRY WORK PROTECTION INSPECTION AND MAINTENANCE NOTES

- THE EROSION CONTROL SUPERVISOR SHALL REGULARLY INSPECT THE MASONRY WORK PROTECTION.
- ALL CONCRETE WASTE SHALL BE REGULARLY CLEANED AND PLACED IN THE CONCRETE WASH OUT AREA.
- ROCK SOCKS SHALL BE REPLACED IF THEY BECOME HEAVILY SOILED OR DAMAGED.

CBMP
CONSTRUCTION BEST MANAGEMENT PRACTICES
MWP
2 OF 2
Oct. 2013



CBMP
CONSTRUCTION BEST MANAGEMENT PRACTICES
RCSC
1 OF 2
Oct. 2013

NO CHANGES ARE TO BE MADE TO THIS DRAWING WITHOUT WRITTEN PERMISSION OF THE TOWN OF PARKER.

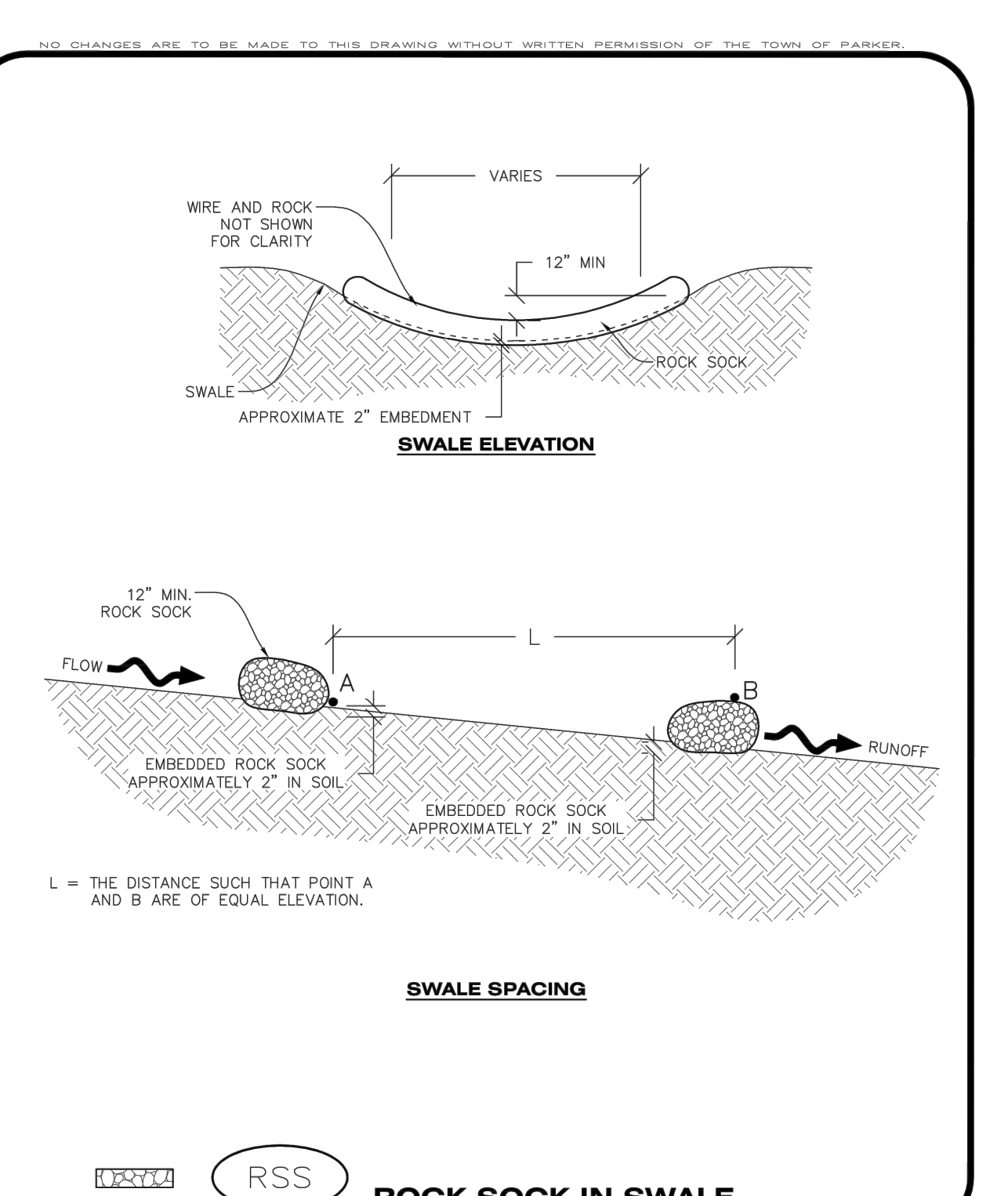
ROUGH CUT STREET CONTROL INSTALLATION NOTES

- SEE CBMP PLAN FOR LOCATION(S) OF ROUGH CUT STREET CONTROL.
- THE SPACING OF THE ROUGH CUT STREET CONTROL MAY BE DETERMINED BY THE DESIGN ENGINEER AND SHOWN ON THE CBMP PLAN.

ROUGH CUT STREET CONTROL INSPECTION AND MAINTENANCE NOTES

- THE EROSION CONTROL SUPERVISOR SHALL REGULARLY INSPECT THE ROUGH CUT STREET CONTROL.
- ACCUMULATED SEDIMENT SHALL BE REMOVED WHEN THE SEDIMENT DEPTH IS 1/2 THE HEIGHT OF THE ROCK SOCK.
- ROUGH CUT STREET CONTROL SHALL BE REPAIRED IMMEDIATELY FOLLOWING ANY SIGN OF WEAR OR ALTERATION OF THE ORIGINAL SHAPE AND DIMENSIONS.
- ROUGH CUT STREET CONTROL SHALL BE KEPT IN PLACE AND MAINTAINED UNTIL SUB-GRADE PREPARATION BEGINS FOR PAVING. AT THAT POINT, THE RCSC SHOULD BE REMOVED IN INCREMENTS BASED ON SUBGRADE PREPARATION.

CBMP
CONSTRUCTION BEST MANAGEMENT PRACTICES
RCSC
2 OF 2
Oct. 2013



CBMP
CONSTRUCTION BEST MANAGEMENT PRACTICES
RSS
1 OF 1
Oct. 2013

NO.	REVISION	BY	DATE

EES
ENGINEERING AND SOLUTIONS, INC.
501 S Cherry St, Suite 300
Glendale, CO 80246
303-672-7997 www.ees-us.com

CONSTRUCTION DOCUMENTS
CONVENIENCE STORE
12181 AND 12191 SLICEROO DRIVE, PARKER, CO 80134
CBMP DETAILS

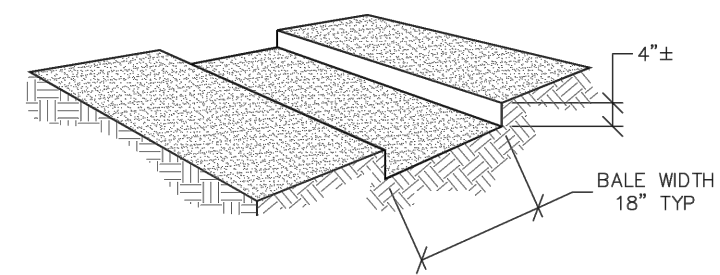
PROJECT NO: _____
DESIGNED BY: LCG
DRAWN BY: JLG
DATE: 09/21/2021
C4.9

THE TOWN OF PARKER REVIEW CONSTITUTES GENERAL COMPLIANCE WITH THE TOWN'S STANDARDS AND APPROVED VARIANCES, SUBJECT TO THESE PLANS BEING STAMPED, SIGNED, AND DATED BY THE PROFESSIONAL ENGINEER OF RECORD. REVIEW BY THE TOWN DOES NOT CONSTITUTE APPROVAL OF THE PLAN DESIGN OR ACCURACY AND CORRECTNESS OF ENGINEERING CALCULATIONS. ERRORS IN THE DESIGN OR CALCULATIONS REMAIN THE RESPONSIBILITY OF THE REGISTERED PROFESSIONAL ENGINEER WHOSE STAMP AND SIGNATURE ARE AFFIXED TO THIS DOCUMENT. THIS REVIEW DOES NOT CONSTITUTE APPROVAL OF ANY PRIVATE ON-SITE IMPROVEMENTS WHICH MAY BE SHOWN. CONSTRUCTION CANNOT COMMENCE UNTIL ALL REQUIRED DRAINAGE/TRAFFIC REPORT(S), FINAL DEVELOPMENT PLAN(S), SPECIAL REVIEW(S), GRADING PERMIT, AND/OR OTHER PERMITS ARE COMPLETE, APPROVED AND ON FILE WITH THE TOWN OF PARKER.

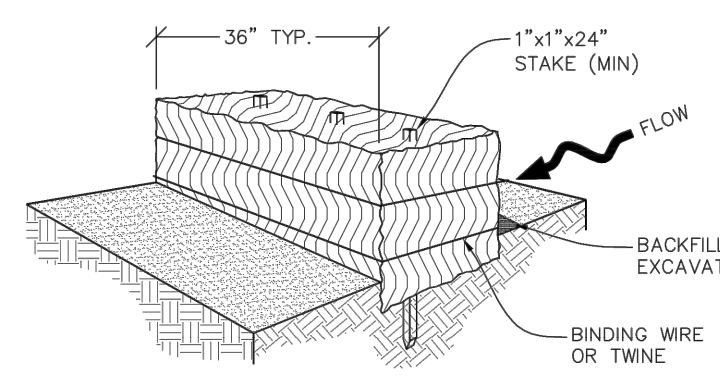
TOWN OF PARKER, _____ DATE
DIRECTOR OF ENGINEERING/PUBLIC WORKS

811
Know what's below.
Call before you dig.
CALL UTILITY NOTIFICATION CENTER OF COLORADO
1-800-922-1987 or 811
CALL 3-BUSINESS DAYS (NOT INCLUDING INITIAL DAY OF CONTACT) IN ADVANCE BEFORE YOU DIG, GRADE, OR EXCAVATE FOR THE MARKING OF UNDERGROUND MEMBER UTILITIES.

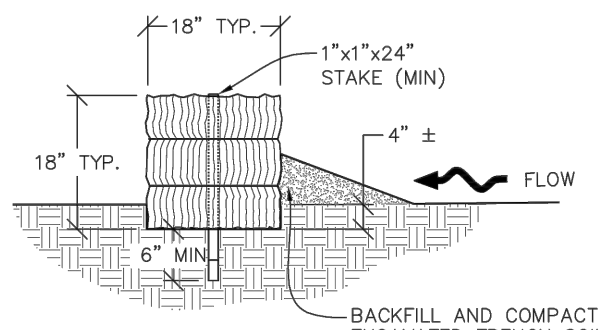
NO CHANGES ARE TO BE MADE TO THIS DRAWING WITHOUT WRITTEN PERMISSION OF THE TOWN OF PARKER.



TRENCH EXCAVATION



STRAW BALE INSTALLATION



SECTION

STRAW BALE

SB

CBMP
CONSTRUCTION BEST MANAGEMENT PRACTICES

1 OF 2
Oct. 2013

NO CHANGES ARE TO BE MADE TO THIS DRAWING WITHOUT WRITTEN PERMISSION OF THE TOWN OF PARKER.

STRAW BALE INSTALLATION NOTES

1. SEE CBMP PLAN FOR LOCATION(S) OF STRAW BALES.
2. TYPICAL STRAW BALES SHALL BE APPROXIMATELY 36"x18"x18".
3. TWO (2) WOODEN STAKES SHALL BE USED TO HOLD EACH BALE IN PLACE. WOODEN STAKES SHALL BE A MINIMUM OF 1"x1"x24".
4. WOODEN STAKES SHALL BE PLACED APPROXIMATELY 6" INTO THE GROUND.
5. STRAW BALES SHALL BE SPACED AND POSITIONED ACCORDING TO DETAILS.

STRAW BALE INSPECTION AND MAINTENANCE NOTES

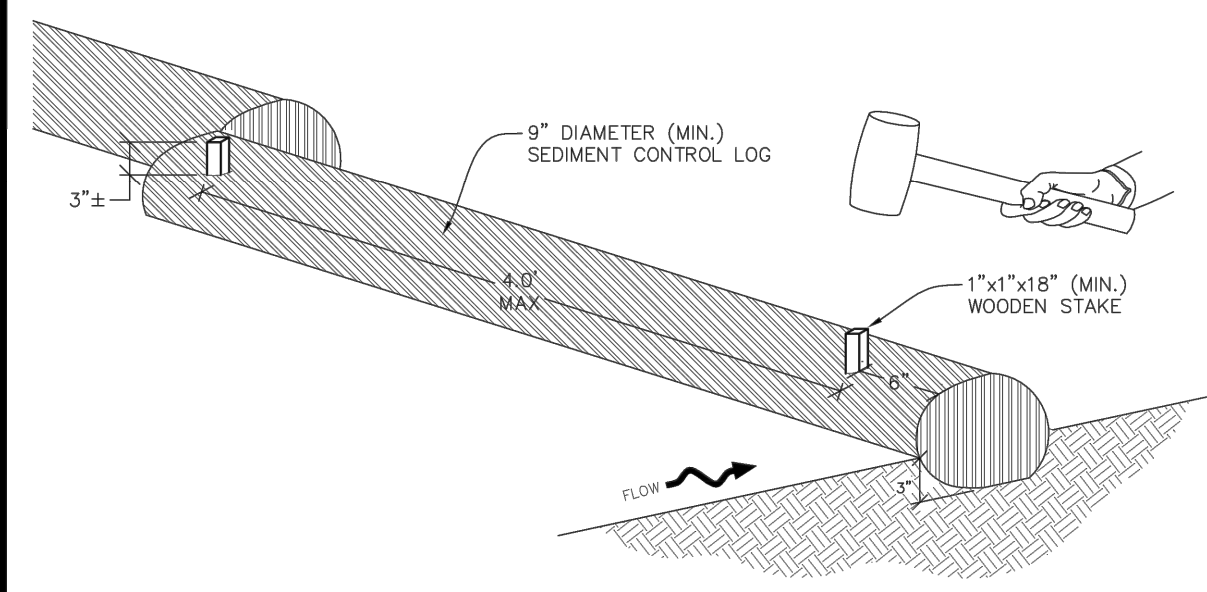
1. THE EROSION CONTROL SUPERVISOR SHALL REGULARLY INSPECT THE STRAW BALES.
2. ACCUMULATED SEDIMENT SHALL BE REMOVED ONCE THE SEDIMENT HAS REACHED A DEPTH EQUAL TO 1/2 THE HEIGHT OF THE STRAW BALE.
3. STRAW BALES MAY NEED TO BE REPLACED IF THEY BECOME HEAVILY SOILED, ROTTEN, OR OTHERWISE DAMAGED.
4. STRAW BALES SHALL REMAIN IN PLACE AND PROPERLY MAINTAINED UNTIL VEGETATIVE COVER HAS REACHED A CONSISTENT DENSITY OF AT LEAST 70% OF FULL VEGETATIVE COVER AND EROSION AND SEDIMENTATION IS NO LONGER A POSSIBILITY AS DETERMINED BY THE TOWN'S INSPECTOR OR AS OTHERWISE DIRECTED BY THE TOWN INSPECTOR.
5. WHEN THE STRAW BALES ARE REMOVED, ANY DISTURBED AREAS ASSOCIATED WITH THE INSTALLATION, MAINTENANCE, AND/OR REMOVAL OF THE STRAW BALES MAY NEED TO BE ROUGHENED, SEEDED, MULCHED, AND CRIMPED PER THE TOWN'S SPECIFICATIONS (SEE DETAIL SMC).

SB

CBMP
CONSTRUCTION BEST MANAGEMENT PRACTICES

2 OF 2
Oct. 2013

NO CHANGES ARE TO BE MADE TO THIS DRAWING WITHOUT WRITTEN PERMISSION OF THE TOWN OF PARKER.



SECTION A

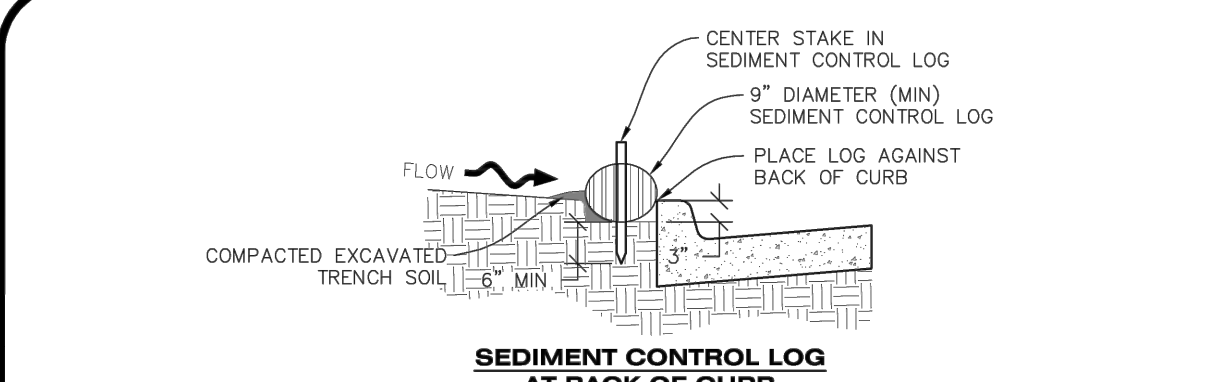
SEDIMENT CONTROL LOG

SCL

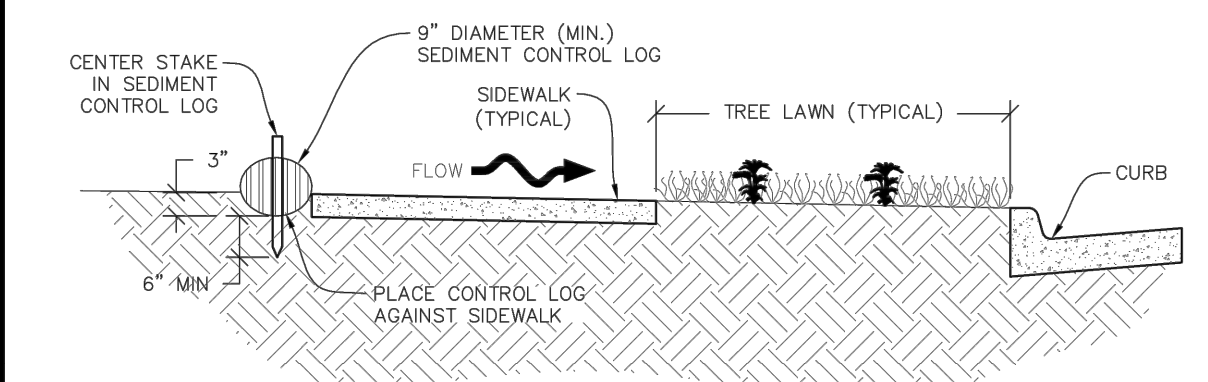
CBMP
CONSTRUCTION BEST MANAGEMENT PRACTICES

1 OF 3
Oct. 2013

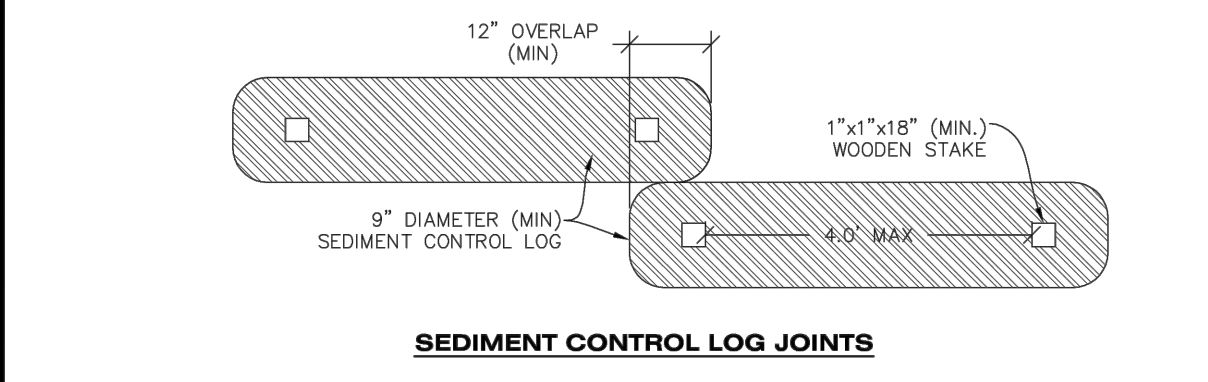
NO CHANGES ARE TO BE MADE TO THIS DRAWING WITHOUT WRITTEN PERMISSION OF THE TOWN OF PARKER.



SEDIMENT CONTROL LOG AT BACK OF CURB



SEDIMENT CONTROL LOG AT SIDEWALK WITH TREE LAWN



SEDIMENT CONTROL LOG JOINTS

SEDIMENT CONTROL LOG

SCL

CBMP
CONSTRUCTION BEST MANAGEMENT PRACTICES

2 OF 3
Oct. 2013

NO.	REVISION	BY	DATE

EES
ENGINEERING AND SOLUTIONS, INC.
501 S Cherry St, Suite 300
Glendale, CO 80246
303-672-7997 www.ees-us.com

NO CHANGES ARE TO BE MADE TO THIS DRAWING WITHOUT WRITTEN PERMISSION OF THE TOWN OF PARKER.

SEDIMENT CONTROL LOG INSTALLATION NOTES

1. SEE CBMP PLAN FOR LOCATION(S) OF SEDIMENT CONTROL LOGS.
2. ALL SEDIMENT CONTROL LOGS SHALL BE INSTALLED FREE OF DEFECTS INCLUDING RIPS, HOLES AND OBVIOUS WEAR.
3. SEDIMENT CONTROL LOGS SHALL BE INSTALLED IMMEDIATELY ADJACENT TO AN IMPERVIOUS SURFACE SUCH AS A CURB HEAD, SIDEWALK, INLET LID, ETC. NO GAPS SHALL EXIST BETWEEN THE SEDIMENT CONTROL LOG AND THE IMPERVIOUS SURFACE.
4. A UNIFORM 3" DEEP ANCHOR TRENCH (APPROX.) IN THE SHAPE OF A HALF-SPHERE SHALL BE EXCAVATED USING A TRENCHER, SPADE-SHAPED SHOVEL, OR PICK. THE ANCHOR TRENCH SHALL BE SIZED TO ALLOW FOR THE SEDIMENT CONTROL LOG TO SEAT TIGHTLY AGAINST THE ANCHOR TRENCH.
5. EXCAVATED MATERIAL SHALL BE PLACED ON THE UPHILL SIDE OF THE ANCHOR TRENCH AND PROPERLY COMPACTED.
6. ANCHOR TRENCH SHALL BE RELATIVELY FREE OF ROCKS OR OTHER DEBRIS PRIOR TO THE PLACEMENT.
7. ALL SEDIMENT CONTROL LOGS SHALL BE PLACED 3" (APPROX.) BELOW THE GROUND AND PULLED TIGHT ON BOTH ENDS TO REMOVE ANY CURVES OR SNAGS.
8. THE UPHILL SIDE OF THE SEDIMENT CONTROL LOG SHALL BE BACKFILLED WITH SOIL THAT IS RELATIVELY FREE OF ROCKS AND DEBRIS. THE SOIL SHALL BE TIGHTLY COMPACTED AGAINST THE GROUND AND SEDIMENT CONTROL LOG USING A SHOVEL, OR SIMILAR DEVICE.
9. SEDIMENT CONTROL LOG STAKES SHALL BE MADE OF WOOD AND SECURELY ANCHOR THE SCL IN PLACE.
10. STAKES SHALL BE PLACED ON 4.0' CENTERS AND EMBEDDED APPROXIMATELY 6" INTO THE GROUND. STAKES THAT ARE BROKEN PRIOR TO OR DURING INSTALLATION SHALL BE REPLACED.
11. SEDIMENT CONTROL LOGS SHALL OVERLAP A MINIMUM OF 12". THE OVERLAPPING SHALL OCCUR ON THE UP-GRADE SIDE OF THE LOGS.
12. SEDIMENT CONTROL LOGS SHALL BE STAKED WITHIN 6" FROM EACH END.
13. SEDIMENT CONTROL LOGS THAT ARE INSTALLED BEHIND CURBS AND SIDEWALKS MUST BE DONE SO THAT NO MORE THAN A 2" GAP EXISTS BETWEEN THE CONCRETE AND THE LOG. EROSION CONTROL BLANKETING (ECB) BETWEEN THE GAP MAY BE REQUIRED IN INSTANCES WHERE THIS DOES NOT OCCUR.

SEDIMENT CONTROL LOG INSPECTION AND MAINTENANCE NOTES

1. THE EROSION CONTROL SUPERVISOR SHALL REGULARLY INSPECT THE SEDIMENT CONTROL LOGS.
2. ACCUMULATED SEDIMENT SHALL BE REMOVED ONCE THE SEDIMENT HAS REACHED A DEPTH EQUAL TO 1/2 THE HEIGHT OF EXPOSED LOG.
3. SEDIMENT CONTROL LOGS SHALL REMAIN IN PLACE AND PROPERLY MAINTAINED UNTIL VEGETATIVE COVER HAS REACHED A CONSISTENT DENSITY OF AT LEAST 70% OF FULL VEGETATIVE COVER AND EROSION AND SEDIMENTATION IS NO LONGER A POSSIBILITY AS DETERMINED BY THE TOWN'S INSPECTOR OR AS OTHERWISE DIRECTED BY THE TOWN'S INSPECTOR.
4. SEDIMENT CONTROL LOGS SHALL BE REPLACED WHEN THERE ARE ANY SIGNS OF WEAR OR DAMAGE THAT WOULD PREVENT THE SCL FROM FUNCTIONING AS DESIGNED.
5. WHEN THE SEDIMENT CONTROL LOGS ARE REMOVED, ANY DISTURBED AREAS ASSOCIATED WITH THE INSTALLATION, MAINTENANCE, AND/OR REMOVAL OF THE SEDIMENT CONTROL LOGS MAY NEED TO BE ROUGHENED, SEEDED, MULCHED, AND CRIMPED PER THE TOWN'S SPECIFICATIONS (SEE DETAIL SMC).

SCL

CBMP
CONSTRUCTION BEST MANAGEMENT PRACTICES

3 OF 3
Oct. 2013

NO CHANGES ARE TO BE MADE TO THIS DRAWING WITHOUT WRITTEN PERMISSION OF THE TOWN OF PARKER.

SEEDING AND MULCHING SHALL BE PERFORMED ACCORDING TO THE ACCOMPANYING DETAIL(S) AND TEXT. NO EXCEPTIONS SHALL BE MADE

1. SEE PLAN VIEW FOR:
 - LOCATION(S) OF SEEDING AND MULCHING
 - TYPE OF SEED MIX
2. SEED MIXES MAY CONFORM TO THE TABLE PROVIDED WITH THE SMC NOTES OR ALTERNATIVES MAY BE ALLOWED WITH PRIOR PERMISSION BY THE TOWN'S INSPECTOR.
3. SEEDING MAY BE PERFORMED YEAR ROUND ASSUMING THE SOIL IS NOT FROZEN. SEEDING DURING TIMES OF EXTREME TEMPERATURES SHOULD BE AVOIDED IF POSSIBLE.
4. AT THE BEGINNING OF THE LAND DISTURBANCE ACTIVITIES, IT IS HIGHLY RECOMMENDED THAT AN APPROPRIATE AMOUNT OF NATIVE TOPSOIL BE STRIPPED FROM THE SITE AND STOCKPILED. ALL AREAS, PRIOR TO PERMANENT SEEDING AND MULCHING, WILL LIKELY NEED TO BE COVERED WITH AN APPROPRIATE LAYER OF TOPSOIL. THIS REQUIREMENT APPLIES TO ALL AREAS WHERE NATIVE SEEDING IS SPECIFIED ON THE CBMP PLAN AND/OR LANDSCAPING PLANS.
5. IT IS STRONGLY RECOMMENDED THAT SAMPLES FROM THE STRIPPED TOPSOIL BE PROPERLY COLLECTED AND TESTED BY A QUALIFIED LABORATORY TO ENSURE ADEQUATE NUTRIENT CONTENT PRIOR TO SEEDING AND MULCHING. IF IT IS DISCOVERED THAT THE TOPSOIL IS VOID OF THE NUTRIENTS NECESSARY TO SUCCESSFULLY ESTABLISH THE REQUIRED VEGETATION, THEN THE APPROPRIATE AMENDMENTS SHALL BE ADDED.
6. ALL AREAS TO BE SEEDED AND MULCHED SHALL BE SURFACE ROUGHENED ACCORDING TO THE SURFACE ROUGHENING DETAILS AND NOTES. SURFACE ROUGHENING SHALL OCCUR AFTER PLACEMENT OF THE TOPSOIL.
7. WHEN INSTALLED WITH A DRILL SEEDER, SEED SHALL BE PLACED AT A DEPTH OF 1/4 - 1/2 INCH. ROW SPACING SHALL BE NO MORE THAN 6-INCHES.
8. ALL AREAS INCAPABLE OF BEING DRILL SEEDED SHALL BE SURFACE ROUGHENED ACCORDING TO THE SURFACE ROUGHENING NOTES OR EFFECTIVELY ROUGHENED USING A HARROW OR OTHER SUCH IMPLEMENT. ALL AREAS SHALL BE UNIFORMLY HAND BROADCASTED WITH THE PROPER SEED MIX APPLIED AT TWO TIMES THE DRILL SEEDED RATE. BROADCASTED AREAS SHALL THEN BE RE-HARROWED OR RE-RAKED USING A HARD-TIPPED RAKE TO ENSURE THAT SEEDS ARE BURIED TO AN APPROXIMATE DEPTH OF 1/4 - 1/2 INCH.
9. AFTER SEEDING HAS BEEN COMPLETED, MULCH SHALL BE UNIFORMLY APPLIED AT A RATE OF 2 TONS/ACRE (4,000 LBS/ACRE). MULCH SHALL BE MECHANICALLY CRIMPED TO A DEPTH OF 2 INCHES USING A CRIMPER. MULCH SHALL BE HAND CRIMPED AND COVERED WITH A TACKIFIER IN AREAS WHERE MECHANICAL CRIMPING IS NOT POSSIBLE. WHEN SOILS PERMIT, ALL MULCH SHALL BE CRIMPED SUCH THAT THE INDIVIDUAL PIECES OF STRAW OR HAY FORM EXAGGERATED V-SHAPES PROTRUDING OUT OF THE GROUND SEVERAL INCHES.
10. IN CERTAIN INSTANCES, IT MAY BE NECESSARY TO APPLY A TACKIFIER IN ORDER TO HELP WITH STRAW DISPLACEMENT. TACKIFIER SHALL BE APPLIED ACCORDING TO THE MANUFACTURER'S SPECIFICATIONS.

SMC

CBMP
CONSTRUCTION BEST MANAGEMENT PRACTICES

1 OF 3
Oct. 2013

NO CHANGES ARE TO BE MADE TO THIS DRAWING WITHOUT WRITTEN PERMISSION OF THE TOWN OF PARKER.

SEEDING AND MULCHING MAINTENANCE NOTES

1. THE EROSION CONTROL SUPERVISOR SHALL REGULARLY INSPECT THE SEEDING AND MULCHING.
 2. ANY SEEDED AND MULCHED AREAS THAT BECOME DAMAGED SHALL BE REPAIRED WITHIN THE TIME FRAME SPECIFIED BY THE TOWN'S INSPECTOR.
- WEED MANAGEMENT**
1. ALL HERBICIDES SHALL BE APPLIED BY COMMERCIAL PESTICIDE APPLICATORS LICENSED BY THE COLORADO DEPARTMENT OF AGRICULTURE AS QUALIFIED APPLICATORS. THE CONTRACTOR SHALL FURNISH DOCUMENTATION OF SUCH LICENSING PRIOR TO HERBICIDE APPLICATION.
 2. HERBICIDE APPLICATION METHOD SHALL BE SUCH THAT PLANT GROWTH OUTSIDE THE DESIGNATED TREATMENT AREAS WILL NOT BE DAMAGED. ALL DAMAGE CAUSED BY IMPROPER HERBICIDE APPLICATION SHALL BE REPAIRED AT THE CONTRACTOR'S EXPENSE.
 3. HERBICIDES SHALL BE APPLIED DURING THE APPROPRIATE SEASONS, WHEN TARGET PLANTS ARE ACTIVELY GROWING.
 4. AFTER THE GRASS SEED IS ESTABLISHED, APPROPRIATE HERBICIDES SHALL BE APPLIED TO CONTROL THE REMAINING WEEDS TO ENSURE A TIMELY RETURN OF THE FINANCIAL SECURITY. PROPER TIMING OF HERBICIDE APPLICATIONS ARE NECESSARY TO ACHIEVE THE SUPPRESSION OF WEED SEED PRODUCTION AND DEPLETION OF WEED ROOT MASS. ULTIMATELY, THE HERBICIDES USED SHALL BE BASED UPON THE TARGET WEEDS.
 5. HERBICIDE TREATMENTS SHALL CONTINUE AT AN APPROPRIATE RATE UNTIL IT IS EVIDENT THAT WEED GROWTH PRESENCE AND GROWTH IS MINIMAL AND MAY BE CONTROLLED THROUGH MOWING AND/OR ANNUAL HERBICIDE TREATMENT.

SMC

CBMP
CONSTRUCTION BEST MANAGEMENT PRACTICES

2 OF 3
Oct. 2013

THE TOWN OF PARKER REVIEW CONSTITUTES GENERAL COMPLIANCE WITH THE TOWN'S STANDARDS AND APPROVED VARIANCES, SUBJECT TO THESE PLANS BEING STAMPED, SIGNED, AND DATED BY THE PROFESSIONAL ENGINEER OF RECORD. REVIEW BY THE TOWN DOES NOT CONSTITUTE APPROVAL OF THE PLAN DESIGN OR ACCURACY AND CORRECTNESS OF ENGINEERING CALCULATIONS. ERRORS IN THE DESIGN OR CALCULATIONS REMAIN THE RESPONSIBILITY OF THE REGISTERED PROFESSIONAL ENGINEER WHOSE STAMP AND SIGNATURE ARE AFFIXED TO THIS DOCUMENT. THIS REVIEW DOES NOT CONSTITUTE APPROVAL OF ANY PRIVATE ON-SITE IMPROVEMENTS WHICH MAY BE SHOWN. CONSTRUCTION CANNOT COMMENCE UNTIL ALL REQUIRED DRAINAGE/TRAFFIC REPORT(S), FINAL DEVELOPMENT PLAN(S), SPECIAL REVIEW(S), GRADING PERMIT, AND/OR OTHER PERMITS ARE COMPLETE, APPROVED AND ON FILE WITH THE TOWN OF PARKER.

CONSTRUCTION DOCUMENTS
CONVENIENCE STORE
CBMP DETAILS

12181 AND 12191 SLICEROO DRIVE, PARKER, CO 80134

PROJECT NO: -----
DESIGNED BY: LCG
DRAWN BY: JLG
DATE: 09/21/2021

TOWN OF PARKER, DIRECTOR OF ENGINEERING/PUBLIC WORKS

DATE

C4.10

811
CALL UTILITY NOTIFICATION CENTER OF COLORADO
1-800-922-1987 or 811
CALL 3-BUSINESS DAYS (NOT INCLUDING INITIAL DAY OF CONTACT) IN ADVANCE BEFORE YOU DIG, GRADE, OR EXCAVATE FOR THE MARKING OF UNDERGROUND MEMBER UTILITIES.

Know what's below.
Call before you dig.

NO CHANGES ARE TO BE MADE TO THIS DRAWING WITHOUT WRITTEN PERMISSION OF THE TOWN OF PARKER.

TOWN OF PARKER, SEED MIX 1
 20% CANADA WILDRIE
 15% CRESTED WHEATGRASS
 15% SLENDER WHEATGRASS
 10% ANNUAL RYEGRASS
 10% SHEEP FESCUE
 10% BIG BLUESTEM
 10% SIDEOATS GRAMA
 5% CANADA BLUEGRASS
 5% BLUE GRAMA

SEEDING RATE:
 DRILLED: 25 LBS/ACRE
 BROADCAST: 50 LBS/ACRE

TOWN OF PARKER, SEED MIX 2
 22% SLENDER WHEATGRASS
 18% SODAR STREAMBANK WHEATGRASS
 13% ARIZONA FESCUE
 13% BLUE GRAMA
 12% BUFFALOGRASS
 12% BARLEY OR OATS
 5% SPIKE MUHLY
 5% INDIAN RICEGRASS

SEEDING RATE:
 DRILLED: 25 LBS/ACRE
 BROADCAST: 50 LBS/ACRE

TOWN OF PARKER, SEED MIX 3 (LOW-GROWTH MIX)
 25% EPHRAIM CRESTED WHEATGRASS
 23% SHEEP FESCUE
 18% PERENNIAL RYEGRASS
 13% CANADA BLUEGRASS
 12% BARLEY OR OATS
 9% BLUE FESCUE

SEEDING RATE:
 DRILLED: 25 LBS/ACRE
 BROADCAST: 50 LBS/ACRE

SEED MIX 4:
 OTHER SEED MIXES APPROVED BY THE TOWN OF PARKER

CBMP
 CONSTRUCTION BEST MANAGEMENT PRACTICES
 SMC
 3 OF 3
 Oct. 2013

NO CHANGES ARE TO BE MADE TO THIS DRAWING WITHOUT WRITTEN PERMISSION OF THE TOWN OF PARKER.

NOTE:
 SEDIMENT CONTROL LOGS (SCL) MAY BE USED IN LIEU OF SILT FENCE (SF) WITH PRIOR APPROVAL FROM TOWN.

STP
SIDEWALK TRANSITION PROTECTION (AT INTERSECTION)

CBMP
 CONSTRUCTION BEST MANAGEMENT PRACTICES
 STP
 1 OF 3
 Oct. 2013

NO CHANGES ARE TO BE MADE TO THIS DRAWING WITHOUT WRITTEN PERMISSION OF THE TOWN OF PARKER.

NOTE:
 SEDIMENT CONTROL LOGS (SCL) MAY BE USED IN LIEU OF SILT FENCE (SF) WITH PRIOR APPROVAL FROM TOWN.

STP
SIDEWALK TRANSITION PROTECTION (ALONG STRAIGHT ROADWAY)

CBMP
 CONSTRUCTION BEST MANAGEMENT PRACTICES
 STP
 2 OF 3
 Oct. 2013

SIDEWALK TRANSITION PROTECTION INSTALLATION NOTES

- SEE PLAN VIEW FOR LOCATION(S) OF SIDEWALK TRANSITION PROTECTION.
- ROCK SOCK SHALL BE CONSTRUCTED ACCORDING TO THE DETAIL (SEE DETAIL RS).
- SILT FENCE SHALL BE CONSTRUCTED ACCORDING TO THE DETAIL (SEE DETAIL SF).
- CONSTRUCTION FENCE SHALL BE CONSTRUCTED ACCORDING TO THE DETAIL (SEE DETAIL CF).
- SEDIMENT CONTROL LOGS MAY BE USED IN LIEU OF SILT FENCE WITH PRIOR APPROVAL FROM THE TOWN.

SIDEWALK TRANSITION PROTECTION INSPECTION & MAINTENANCE NOTES

- THE EROSION CONTROL SUPERVISOR SHALL REGULARLY INSPECT THE SIDEWALK TRANSITION INSPECTION.

CBMP
 CONSTRUCTION BEST MANAGEMENT PRACTICES
 STP
 3 OF 3
 Oct. 2013

NO CHANGES ARE TO BE MADE TO THIS DRAWING WITHOUT WRITTEN PERMISSION OF THE TOWN OF PARKER.

PLAN VIEW

TSB
TEMPORARY SEDIMENT BASIN

CBMP
 CONSTRUCTION BEST MANAGEMENT PRACTICES
 TSB
 1 OF 3
 Oct. 2013

NO CHANGES ARE TO BE MADE TO THIS DRAWING WITHOUT WRITTEN PERMISSION OF THE TOWN OF PARKER.

SECTION A
SECTION B
SECTION C

TSB
TEMPORARY SEDIMENT BASIN

CBMP
 CONSTRUCTION BEST MANAGEMENT PRACTICES
 TSB
 2 OF 3
 Oct. 2013

NO CHANGES ARE TO BE MADE TO THIS DRAWING WITHOUT WRITTEN PERMISSION OF THE TOWN OF PARKER.

TEMPORARY SEDIMENT BASIN INSTALLATION NOTES

- SEE CBMP PLAN FOR LOCATION(S) OF SEDIMENT BASIN(S).
- THE TEMPORARY SEDIMENT BASIN(S) SHALL BE INSTALLED AND FUNCTIONING PRIOR TO ANY OTHER GRADING ACTIVITIES.
- THE EXACT DIMENSIONS AND DETAILS OF THE TEMPORARY SEDIMENT BASIN SHALL BE DETERMINED BY THE DESIGN ENGINEER, IN ACCORDANCE WITH UDFCD VOLUME 3, AS AMENDED.
- EMBANKMENT MATERIAL SHALL CONSIST OF SOIL FREE OF DEBRIS, ORGANIC MATERIAL, AND ROCKS OR CONCRETE GREATER THAN 3" AND SHALL HAVE A MINIMUM OF 15% BY WEIGHT PASSING THE NO. 200 SIEVE.
- EMBANKMENT MATERIAL SHALL BE COMPACTED TO A MINIMUM OF 95% DENSITY, AND WITHIN +/- 2% OF OPTIMUM MOISTURE IN ACCORDANCE WITH ASTM D698.
- AN APPROPRIATELY SIZED DEWATERING BAG SHALL BE SECURED TO THE END OF THE DISCHARGE PIPE. THE DEWATERING BAG SHALL BE REPLACED ONCE SEDIMENT ACCUMULATION REACHES 50%.

TEMPORARY SEDIMENT BASIN INSPECTION AND MAINTENANCE NOTES

- THE EROSION CONTROL SUPERVISOR SHALL REGULARLY INSPECT THE TEMPORARY SEDIMENT BASIN.
- ACCUMULATED SEDIMENT SHALL BE REMOVED WHEN THE SEDIMENT REACHES A DEPTH OF 2.0', OR WITHIN 2.0' OF THE SPILLWAY CREST, OR AS OTHERWISE DIRECTED BY THE TOWN'S INSPECTOR.
- SEDIMENT BASINS SHALL REMAIN IN PLACE AND PROPERLY MAINTAINED UNTIL UPSTREAM VEGETATIVE COVER HAS REACHED A CONSISTENT DENSITY OF AT LEAST 70% OF FULL VEGETATIVE COVER AND EROSION AND SEDIMENTATION IS NO LONGER A POSSIBILITY AS DETERMINED BY THE TOWN'S INSPECTOR.

CBMP
 CONSTRUCTION BEST MANAGEMENT PRACTICES
 TSB
 3 OF 3
 Oct. 2013

To allow for a proper and timely establishment of native grasses, temporary irrigation is required over all areas where permanent native seeding is proposed. This includes, but is not limited to: detention ponds, drainage ways, park and trail areas, general open space, etc. In addition to the landscape plans, please show the temporary irrigation symbol (TI) on the CBMP Plan over all areas where permanent native seeding is proposed. As a reminder, when working within Parker Water and Sanitation District's (PWSD) jurisdiction, the following is required:

- Temporary irrigation for native seed must be supplied by a fire hydrant hook-up. Use of proposed/existing landscape irrigation taps is not allowed. Please indicate on the irrigation plans fire hydrants that are to be used for the temporary irrigation mainline and provide a detail for the connection. This detail should show the hydrant, PRV, PWSD water meter, a 2" backflow assembly, a 2" x 2" cam lock for fire department quick disconnect and a support system for all components.
- The following note must be shown on the Irrigation plan set "Temporary irrigation for establishment of native vegetation must be installed above ground, and removed immediately after establishment is complete, or in no case, any longer than one growing season." PWSD may allow temporary irrigation to continue for one additional growing season with prior approval.
- The following note must be shown on the Irrigation plan set "All temporary irrigation components including but not limited to mainlines, laterals, valves, heads and quick couplers must be installed above ground."
- All temporary irrigation components including but not limited to mainlines, laterals, valves, heads and quick couplers must be clearly labeled on the plans.
- Provide detail drawings for all above ground components including but not limited to mainlines, laterals, valves, heads and quick couplers.

If the project is outside of PWSD's jurisdiction, check with the applicable water provider regarding their specific requirements for temporary irrigation.

CBMP
 CONSTRUCTION BEST MANAGEMENT PRACTICES
 TSB
 3 OF 3
 Oct. 2013

811
 CALL UTILITY NOTIFICATION CENTER OF COLORADO
 1-800-922-1987 or 811
 CALL 3-BUSINESS DAYS (NOT INCLUDING INITIAL DAY OF CONTACT) IN ADVANCE BEFORE YOU DIG, GRADE, OR EXCAVATE FOR THE MARKING OF UNDERGROUND MEMBER UTILITIES.

THE TOWN OF PARKER REVIEW CONSTITUTES GENERAL COMPLIANCE WITH THE TOWN'S STANDARDS AND APPROVED VARIANCES, SUBJECT TO THESE PLANS BEING STAMPED, SIGNED, AND DATED BY THE PROFESSIONAL ENGINEER OF RECORD. REVIEW BY THE TOWN DOES NOT CONSTITUTE APPROVAL OF THE PLAN DESIGN OR ACCURACY AND CORRECTNESS OF ENGINEERING CALCULATIONS. ERRORS IN THE DESIGN OR CALCULATIONS REMAIN THE RESPONSIBILITY OF THE REGISTERED PROFESSIONAL ENGINEER WHOSE STAMP AND SIGNATURE ARE AFFIXED TO THIS DOCUMENT. THIS REVIEW DOES NOT CONSTITUTE APPROVAL OF ANY PRIVATE ON-SITE IMPROVEMENTS WHICH MAY BE SHOWN. CONSTRUCTION CANNOT COMMENCE UNTIL ALL REQUIRED DRAINAGE/TRAFFIC REPORT(S), FINAL DEVELOPMENT PLAN(S), SPECIAL REVIEW(S), GRADING PERMIT, AND/OR OTHER PERMITS ARE COMPLETE, APPROVED AND ON FILE WITH THE TOWN OF PARKER.

TOWN OF PARKER, _____ DATE _____
 DIRECTOR OF ENGINEERING/PUBLIC WORKS

No.	REVISION	BY	DATE

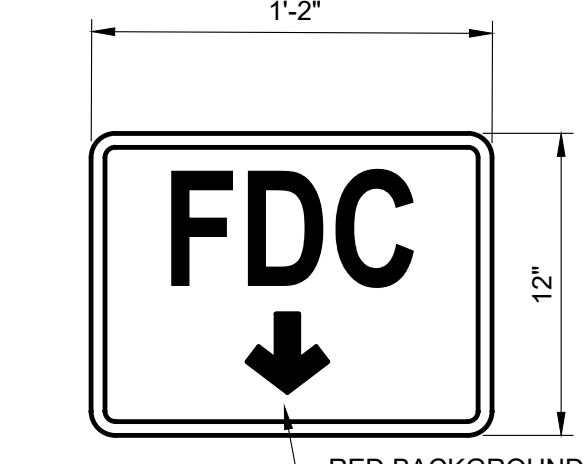
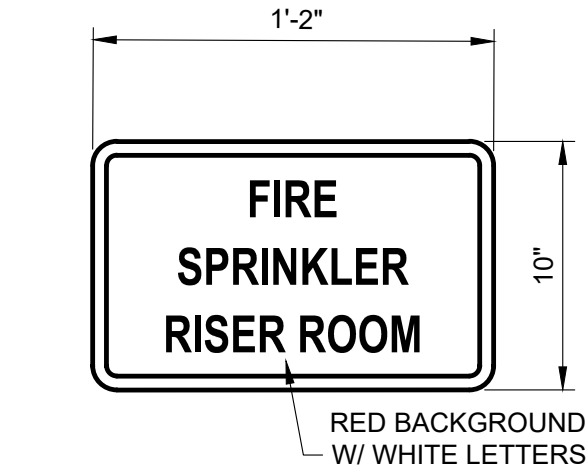
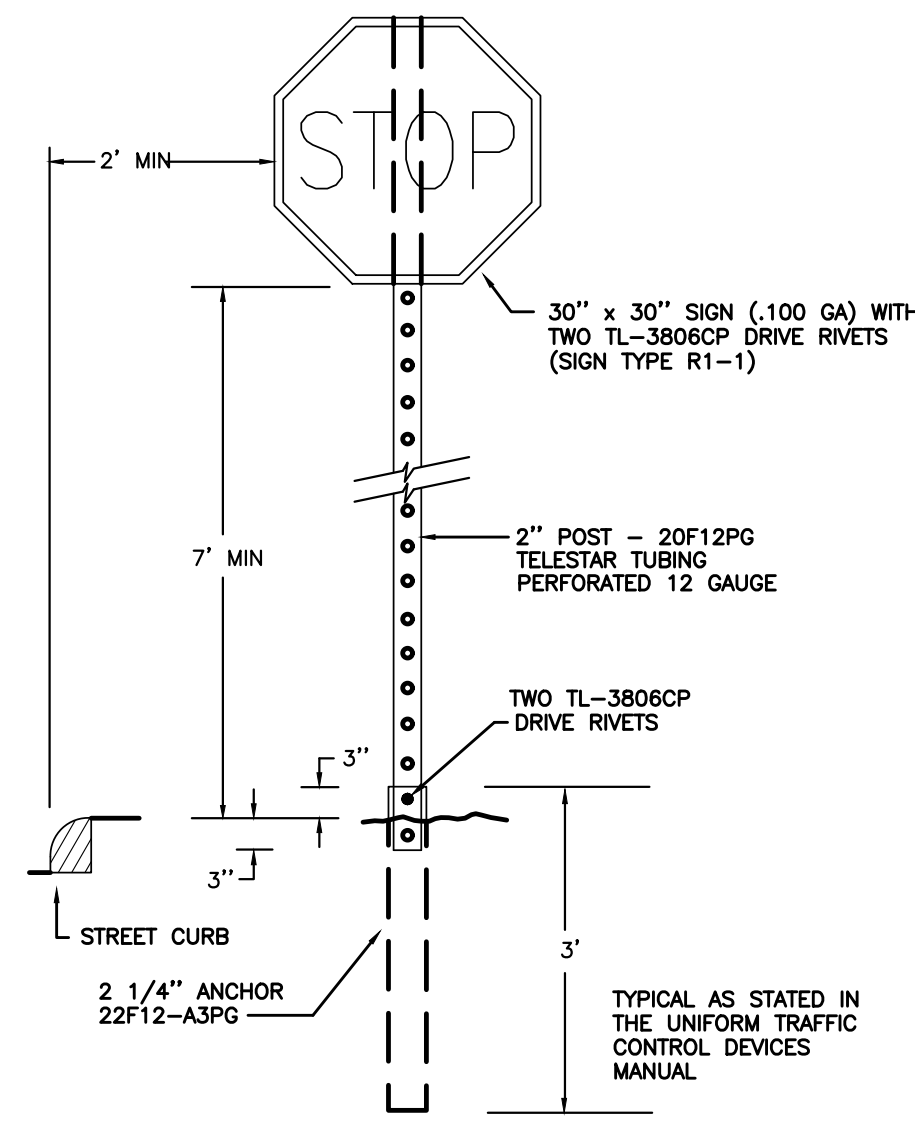
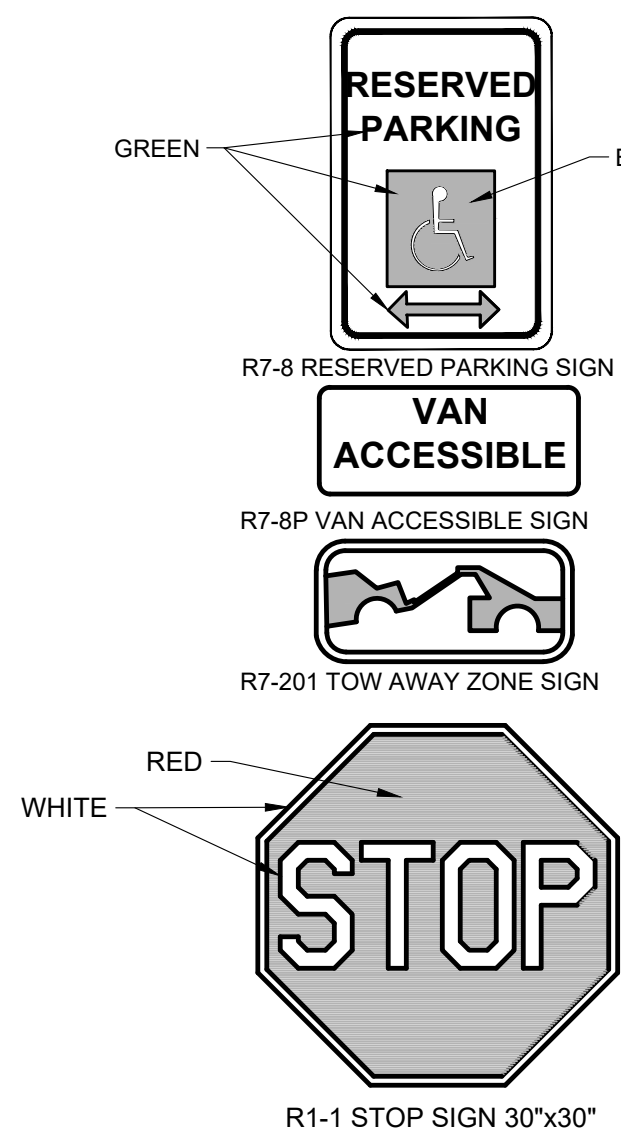
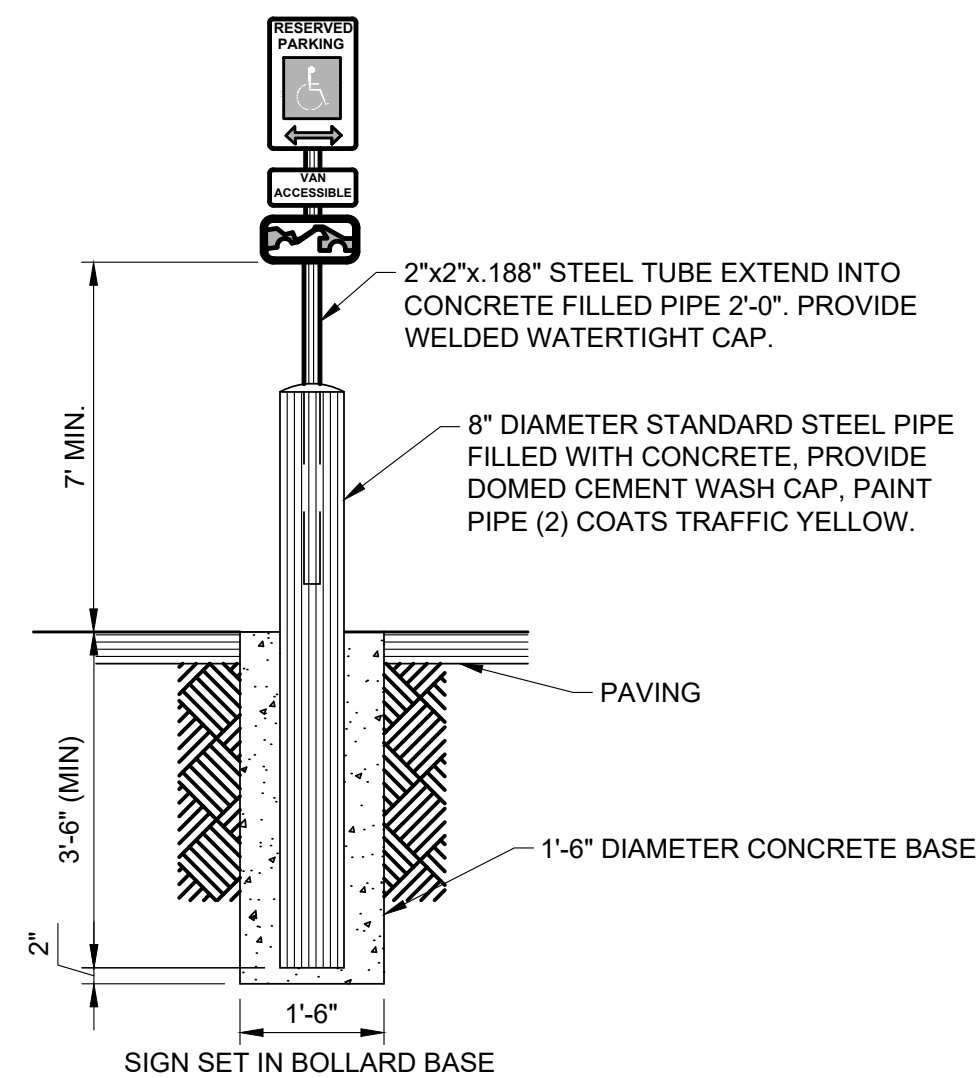
EES
 ENGINEERING AND SOLUTIONS, INC.
 501 S Cherry St, Suite 300
 Glendale, CO 80246
 303-672-7997 www.ees-us.com

CBMP
 CONSTRUCTION BEST MANAGEMENT PRACTICES
 TSB
 3 OF 3
 Oct. 2013

CONSTRUCTION DOCUMENTS
CONVENIENCE STORE
 12181 AND 12191 SLICEROO DRIVE, PARKER, CO 80134
CBMP DETAILS

PROJECT NO: _____
 DESIGNED BY: LCG
 DRAWN BY: JLG
 DATE: 09/21/2021
C4.11

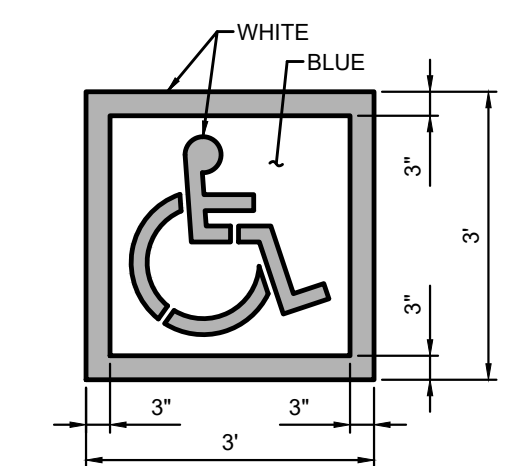
1



- NOTES:
- FABRICATE ALL SIGNS FROM 16GA. ALUM.
 - POST MOUNT: USE NON-CORROSIVE 3/8" DIA. MACHINE BOLTS WITH WASHERS, 2 PER SIGN. 2"x2" GALV. STEEL TUBE.
 - VAN ACCESSIBLE SIGNS SHOWN AS EXAMPLE, SEE SITE PLAN AND INSTALL ACCORDINGLY.

SIGN DETAILS

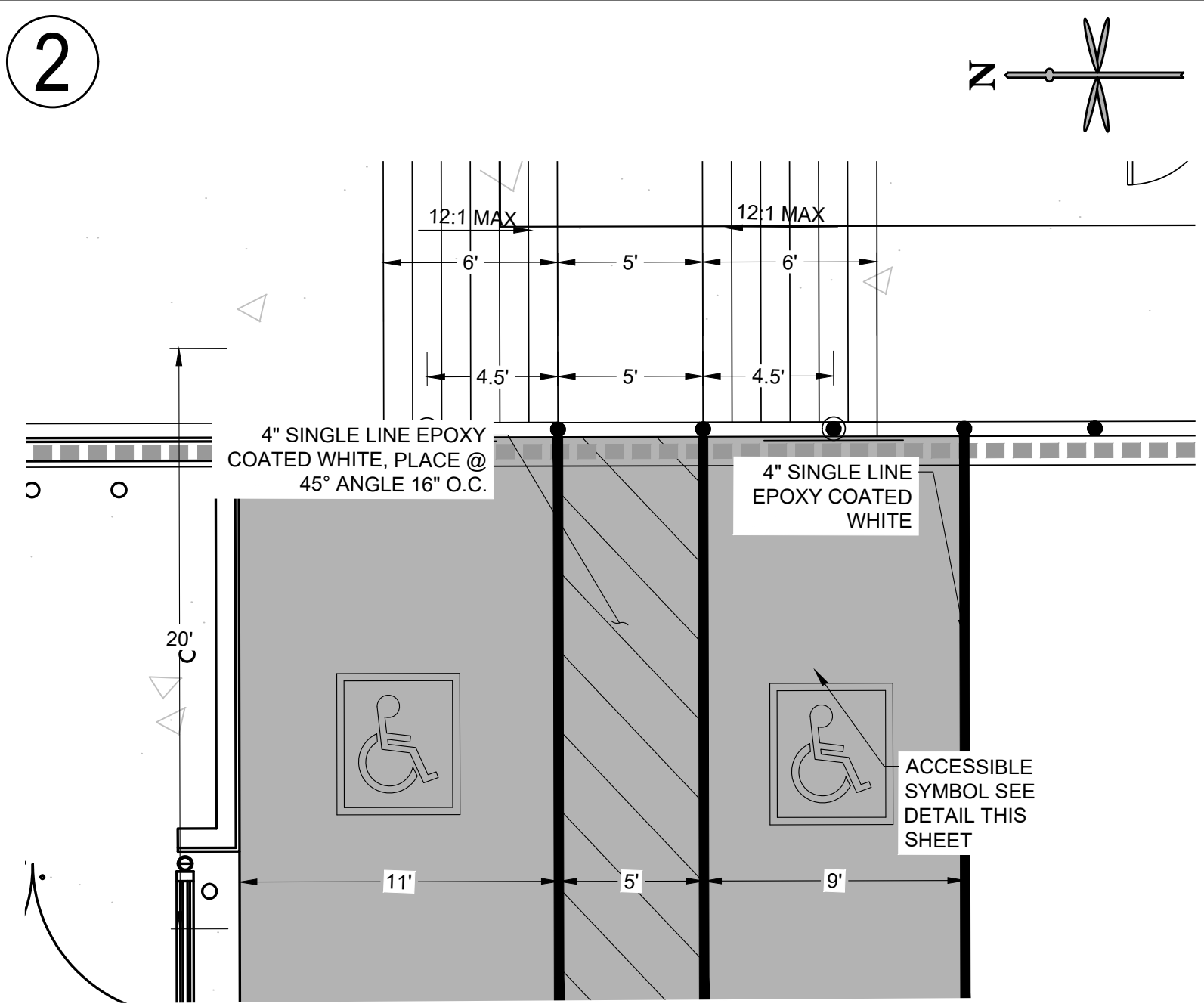
4



- NOTES:
- PROVIDE TWO COATS OF PAINT.
 - BLUE BACKGROUND WITH WHITE SYMBOL.
 - INTERNATIONAL SYMBOL OF ACCESSIBILITY PARKING SPACE MARKING PER U.S. DEPARTMENT OF TRANSPORTATION MANUAL ON UNIFORM TRAFFIC CONTROL DEVICES (MUTCD).

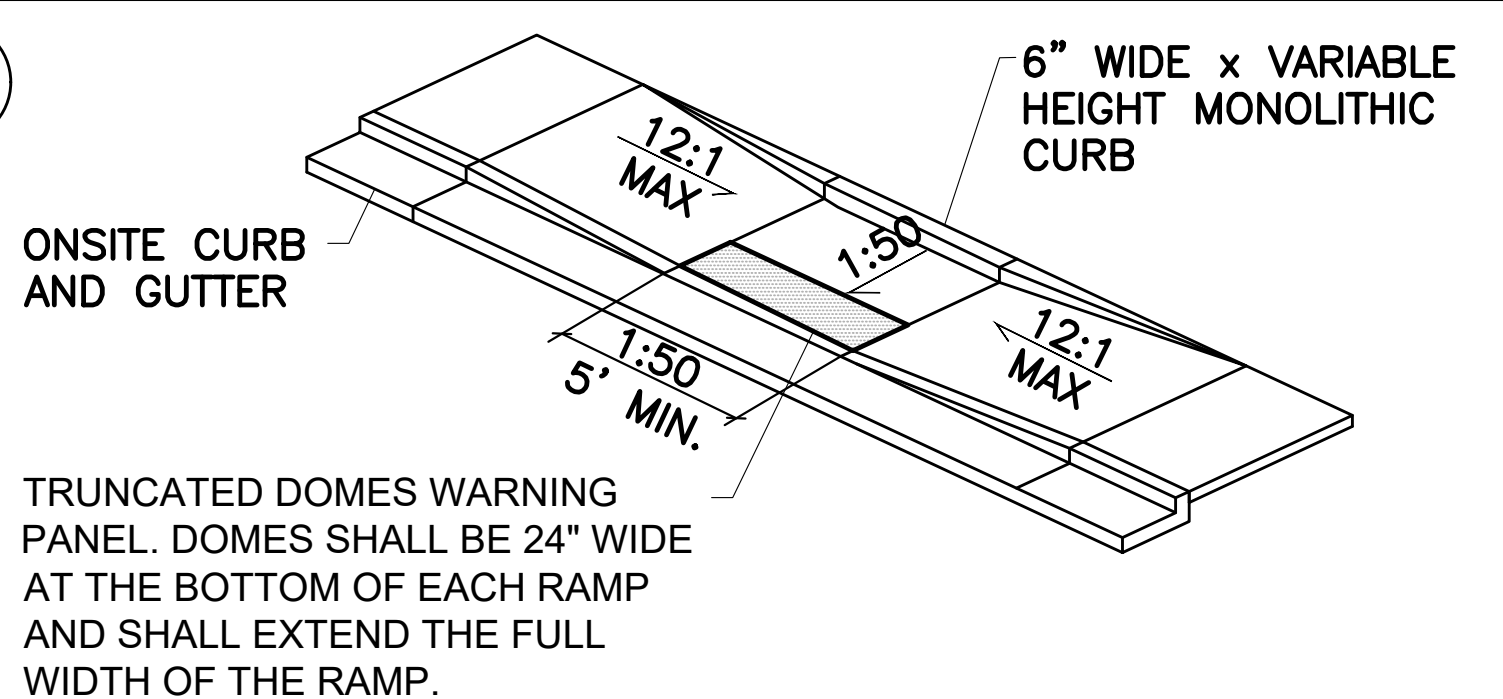
HC PARKING SYMBOL

2



HANDICAP PARKING STALL DETAIL

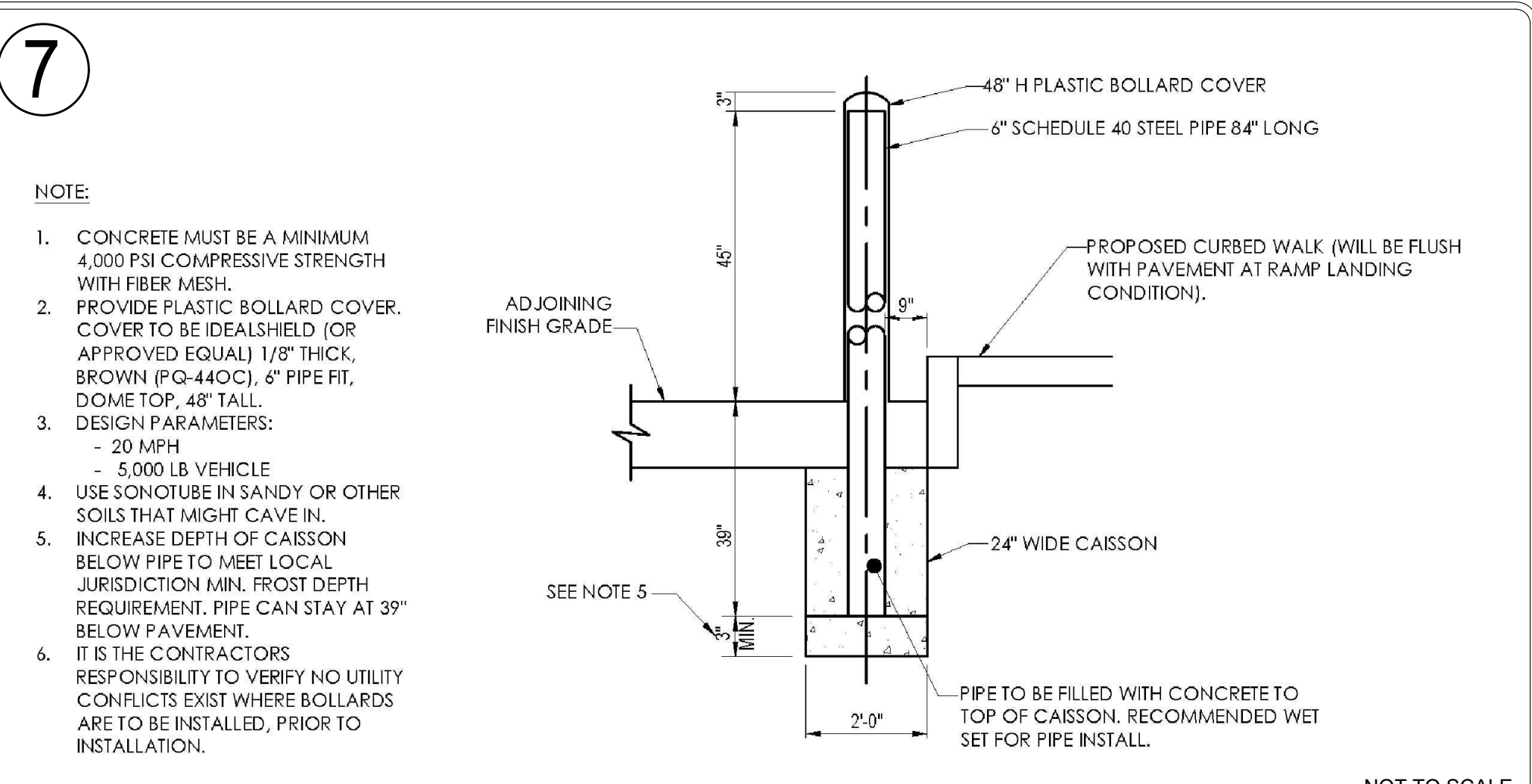
5



A. WALK ADJACENT TO CURB AND GUTTER

ACCESSIBLE RAMP DETAIL

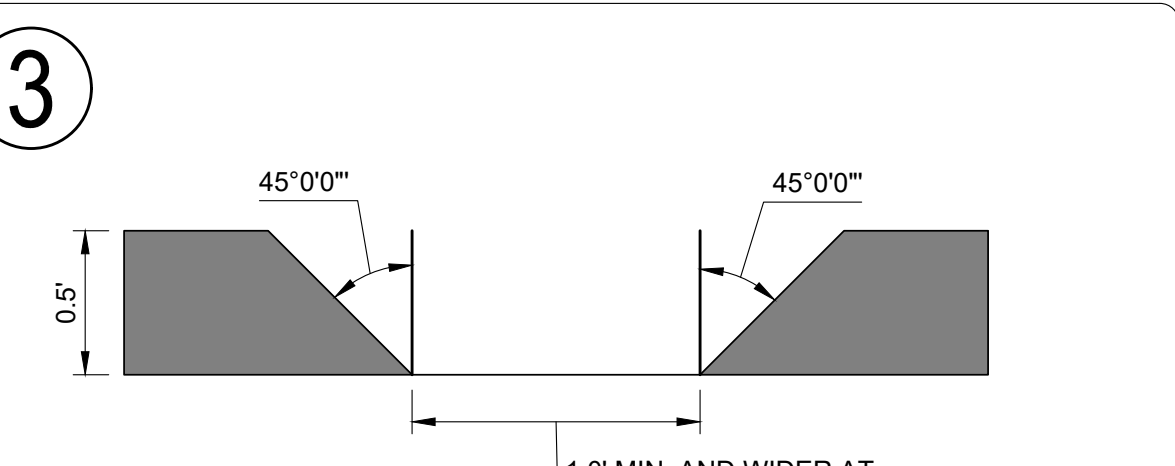
7



BOLLARD DETAIL

- NOTE:
- CONCRETE MUST BE A MINIMUM 4,000 PSI COMPRESSIVE STRENGTH WITH FIBER MESH.
 - PROVIDE PLASTIC BOLLARD COVER. COVER TO BE IDEALSHIELD (OR APPROVED EQUAL) 1/8" THICK, BROWN (PQ-44OC), 6" PIPE FIT, DOME TOP, 48" TALL.
 - DESIGN PARAMETERS:
- 20 MPH
- 5,000 LB VEHICLE
 - USE SONOTUBE IN SANDY OR OTHER SOILS THAT MIGHT CAVE IN.
 - INCREASE DEPTH OF CAISSON BELOW PIPE TO MEET LOCAL JURISDICTION MIN. FROST DEPTH REQUIREMENT. PIPE CAN STAY AT 39" BELOW PAVEMENT.
 - IT IS THE CONTRACTORS RESPONSIBILITY TO VERIFY NO UTILITY CONFLICTS EXIST WHERE BOLLARDS ARE TO BE INSTALLED, PRIOR TO INSTALLATION.

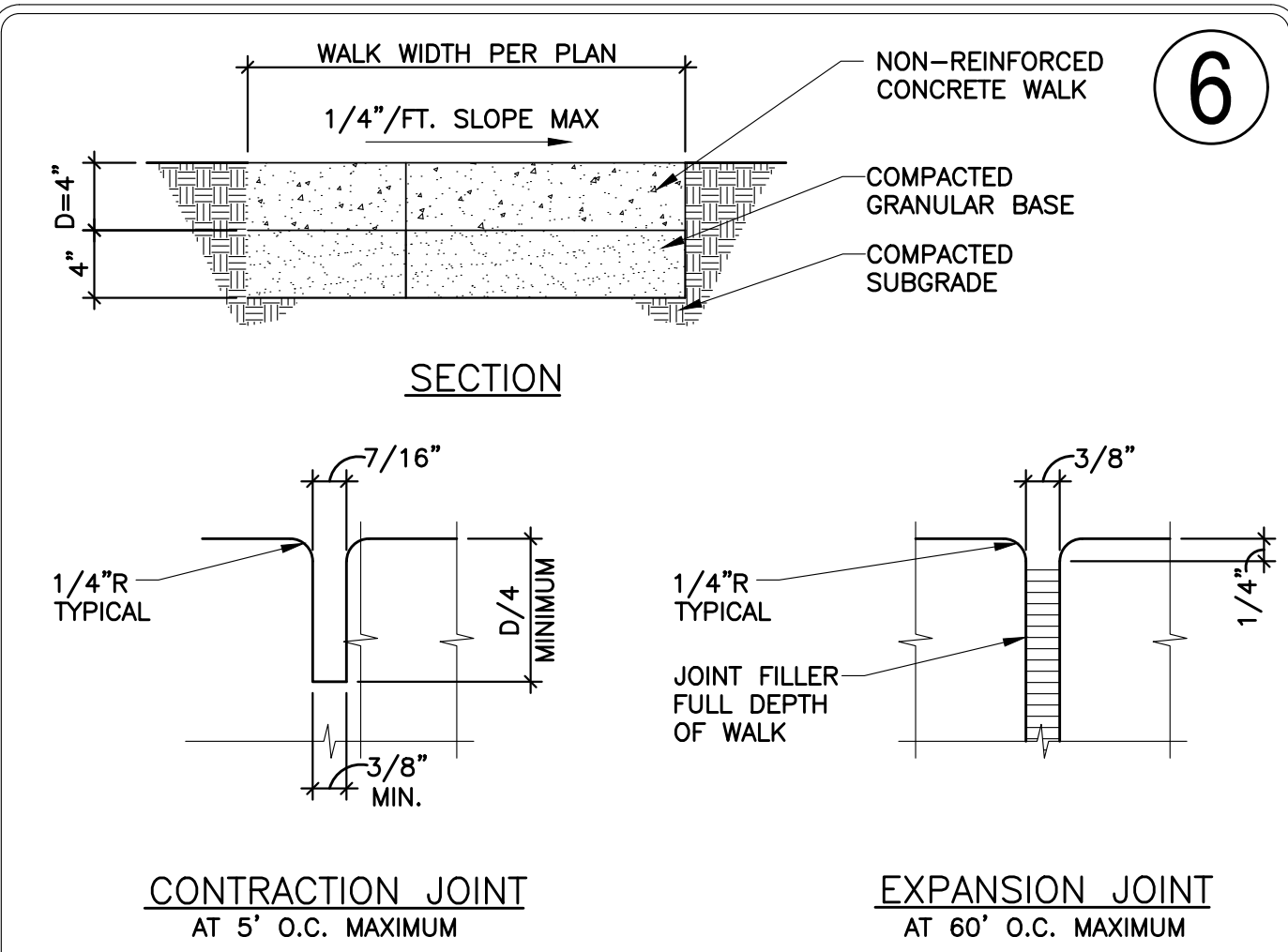
3



CALL UTILITY NOTIFICATION CENTER OF COLORADO
 1-800-922-1987 or 811
 CURB OPENING

NOT TO SCALE

6



CONCRETE WALK & JOINT DETAILS

STANDARD JOINTING NOTES:

- CONCRETE AND JOINTING STANDARDS: CONCRETE PAVING SHALL FOLLOW THE GUIDE FOR THE DESIGN AND CONSTRUCTION OF CONCRETE PARKING LOTS, ACI 330R-08 (OR LATEST EDITION). WORK IN THE PUBLIC RIGHT-OF-WAY SHALL FOLLOW JURISDICTIONAL STANDARDS AND/OR ACI 318, WHICHEVER IS MORE STRINGENT. IF THERE IS A DISCREPANCY BETWEEN PLANS, NOTES AND SPECIFICATIONS, THE MORE STRINGENT REQUIREMENT WILL ALWAYS APPLY. THE CONTRACTOR SHALL SUBMIT MIX DESIGNS TO GEOTECHNICAL AND CIVIL ENGINEER FOR REVIEW PRIOR TO PAVING.
- JOINT SPACING: CONCRETE SHALL BE JOINTED IN RELATIVELY SQUARE PANELS AND SHOULD HAVE THE LENGTH NO GREATER THAN 20% OF THE WIDTH. MAXIMUM SPACING BETWEEN JOINTS SHALL BE 30 TIMES THE SLAB THICKNESS UP TO A MAXIMUM OF 15'. EVEN JOINT SPACING IS PREFERABLE FOR VISUAL CONSISTENCY. CONTRACTOR SHOULD AVOID JOINTING TO SHARP ANGLES AND TRY TO PLACE JOINTS PERPENDICULAR TO RADIIUSES OR ANGLED AREAS.
- JOINT DEPTH: JOINTS SHALL BE CUT AT LEAST 1/4 THE THICKNESS OF THE SLAB THICKNESS OR 1", WHICHEVER DISTANCE IS GREATER.
- JOINT TYPES: ISOLATION JOINTS SHALL BE USED TO SEPARATE CONCRETE SLABS FROM STRUCTURES (I.E. BUILDING) OR FIXED OBJECTS (PLEASE REFER TO STRUCTURAL PLANS FOR PAVING AT BUILDING DOOR OPENINGS). CONCRETE AREAS ADJACENT TO BUILDING OR DOCK WALLS OR THAT ARE DIFFICULT TO SAW CUT SHALL BE TOOL JOINTED USING A GROOVING TOOL OR BY INSERTING A PREMOLDED FILLER STRIP. IN OPEN CONCRETE PAVED AREAS, CONCRETE MAY BE SAW CUT ONCE THE CONCRETE HAS HARDENED ENOUGH TO SUPPORT THE SAWS AND AVOID RAVELING, TYPICALLY WITHIN 4 HOURS (HOT WEATHER) TO 12 HOURS (COLD WEATHER), BUT NOT GREATER THAN 24 HOURS AFTER THE POUR. CONTRACTOR SHALL USE KEYS CONSTRUCTION JOINT TO PROVIDE CLEAN INTERFACE BETWEEN AREAS OF CONCRETE POURED AT DIFFERENT TIMES.
- JOINT SEALING: ISOLATION JOINTS BETWEEN BUILDING WALLS AND SIDEWALKS SHALL BE CLEANED WITH COMPRESSED AIR TO REMOVE FOREIGN MATERIAL AND SEALED WITH AN ELASTOMERIC SEALER TO MINIMIZE WATER INFILTRATION PER ACI 504R. OTHER JOINTS SHALL ONLY BE SEALED IF GEOTECHNICAL OR CIVIL ENGINEER DETERMINES THAT SUBGRADE PERFORMANCE WARRANTS JOINT SEALING. REFERENCE STRUCTURAL DRAWINGS FOR DETAILS FOR PAVEMENT SURROUNDING BUILDING.

THE TOWN OF PARKER REVIEW CONSTITUTES GENERAL COMPLIANCE WITH THE TOWN'S STANDARDS AND APPROVED VARIANCES. SUBJECT TO THESE PLANS BEING STAMPED, SIGNED, AND DATED BY THE PROFESSIONAL ENGINEER OF RECORD. REVIEW BY THE TOWN DOES NOT CONSTITUTE APPROVAL OF THE PLAN DESIGN OR ACCURACY AND CORRECTNESS OF ENGINEERING CALCULATIONS. ERRORS IN THE DESIGN OR CALCULATIONS REMAIN THE RESPONSIBILITY OF THE REGISTERED PROFESSIONAL ENGINEER WHOSE STAMP AND SIGNATURE ARE AFFIXED TO THIS DOCUMENT. THIS REVIEW DOES NOT CONSTITUTE APPROVAL OF ANY PRIVATE ON-SITE IMPROVEMENTS WHICH MAY BE SHOWN. CONSTRUCTION CANNOT COMMENCE UNTIL ALL REQUIRED DRAINAGE/TRAFFIC REPORT(S), FINAL DEVELOPMENT PLAN(S), SPECIAL REVIEW(S), GRADING PERMIT, AND/OR OTHER PERMITS ARE COMPLETE, APPROVED AND ON FILE WITH THE TOWN OF PARKER.

TOWN OF PARKER, DIRECTOR OF ENGINEERING/PUBLIC WORKS DATE

DATE	
BY	
REVISION	
No.	

EES
 ENGINEERING AND
 SOLUTIONS, INC.
 501 S Cherry St, Suite 300
 Glendale, CO 80246
 303-672-7997 www.ees.us.com

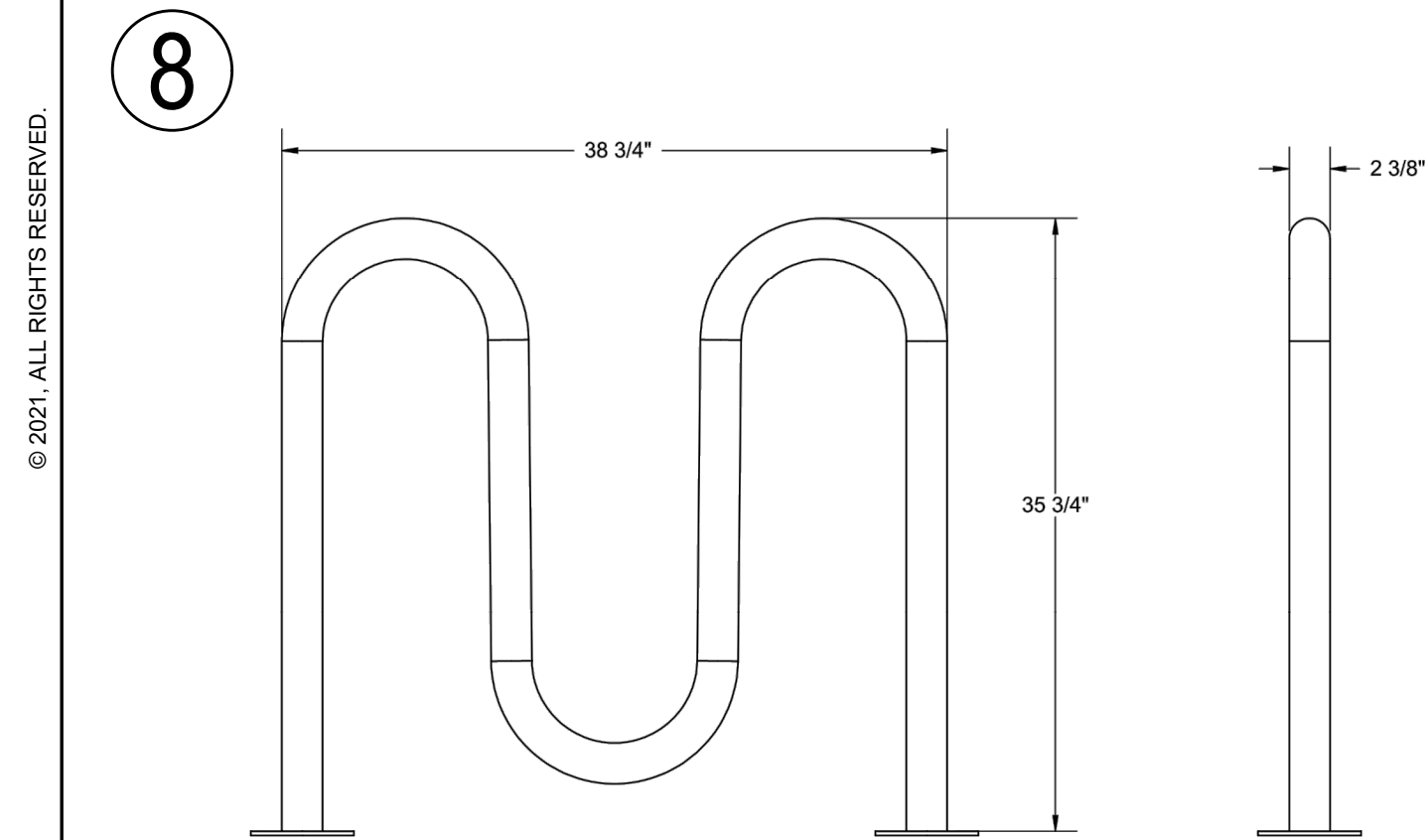
CONSTRUCTION DOCUMENTS
 CONVENIENCE STORE
 12181 AND 12191 SLICEROO DRIVE, PARKER, CO 80134
 CIVIL DETAILS

PROJECT NO: _____
 DESIGNED BY: LCG
 DRAWN BY: JLG
 DATE: 09/21/2021

C5.0

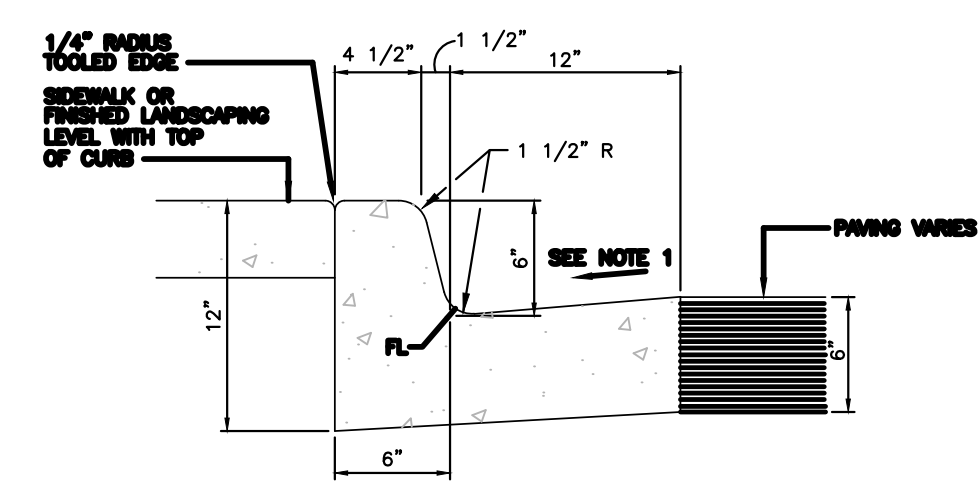


CALL 3-BUSINESS DAYS (NOT INCLUDING INITIAL DAY OF CONTACT) IN ADVANCE BEFORE YOU DIG. GRADE, OR EXCAVATE FOR THE MARKING OF UNDERGROUND MEMBER UTILITIES.



Recommended Surface Mount Hardware:
3/8" x 3-1/2" Concrete Expansion Anchor Bolts

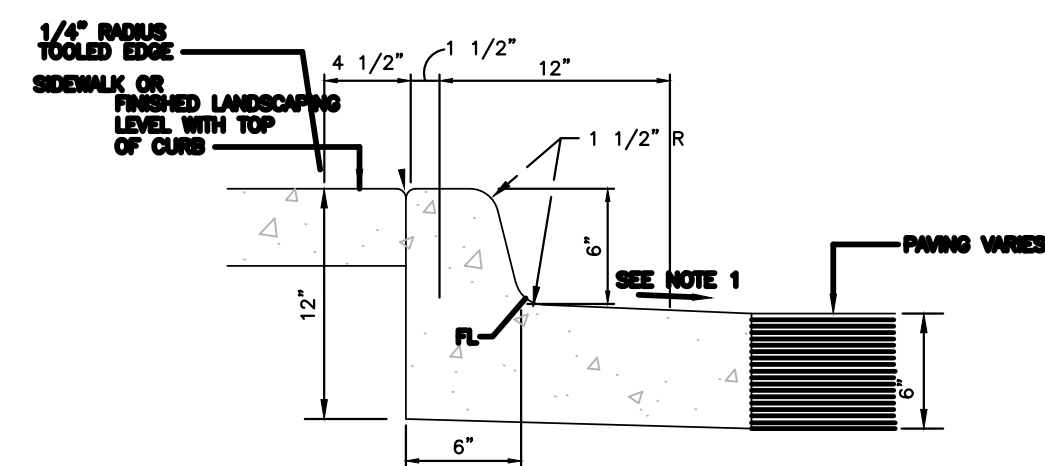
5 BIKE WAVE RACK - 2 3/8" HEAVY DUTY - SURFACE MOUNT



- NOTES:**
- GUTTER CROSS SLOPE SHALL BE 1/2 IN./FT. WHEN DRAWING AWAY FROM CURB AND 1 IN./FT. WHEN DRAWING TOWARD CURB.
 - BASE OF CURB SHALL REST ON COMPACTED FILL.
 - ALL EXPOSED CONCRETE SHALL HAVE A SACK FINISH.
 - CONTROL JOINTS SHALL BE INSTALLED AT 10 FOOT MAXIMUM INTERVALS AND AT THE END OF CURB RETURNS - SEE CURB CONTROL JOINT DETAIL.
 - EXPANSION JOINTS SHALL BE INSTALLED AT 800 FOOT MAXIMUM INTERVALS AND/OR TO MATCH LOCATION OF EXPANSION JOINTS IN PAVING - SEE CURB EXPANSION JOINT DETAIL.

CATCH CURB AND 1' WIDE GUTTER

SCALE: 1/2" = 1'-0"

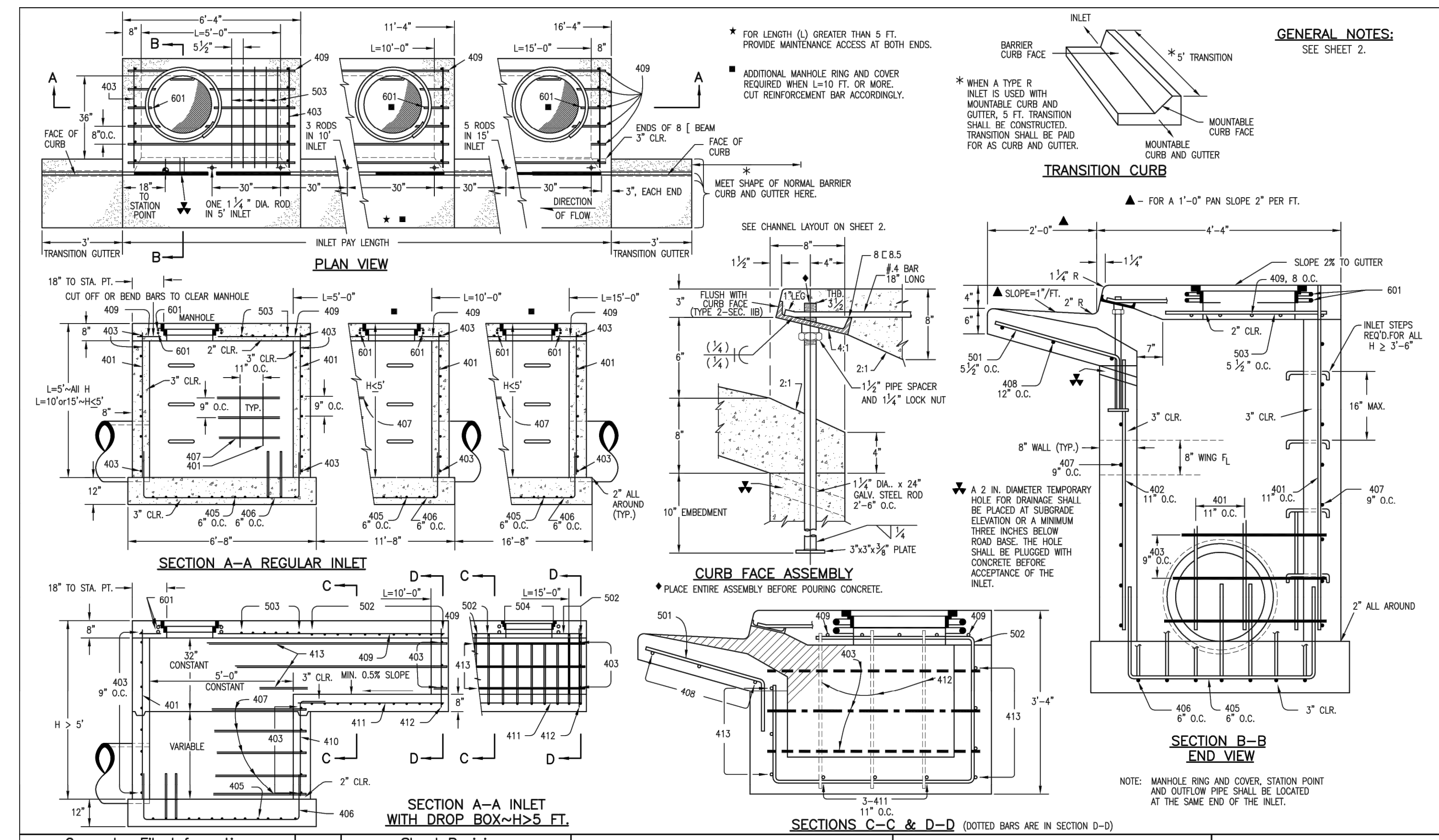


- NOTES:**
- GUTTER CROSS SLOPE SHALL BE 1/2 IN./FT. WHEN DRAWING AWAY FROM CURB AND 1 IN./FT. WHEN DRAWING TOWARD CURB.
 - BASE OF CURB SHALL REST ON COMPACTED FILL.
 - ALL EXPOSED CONCRETE SHALL HAVE A SACK FINISH.
 - CONTROL JOINTS SHALL BE INSTALLED AT 10 FOOT MAXIMUM INTERVALS AND AT THE END OF CURB RETURNS - SEE CURB CONTROL JOINT DETAIL.
 - EXPANSION JOINTS SHALL BE INSTALLED AT 800 FOOT MAXIMUM INTERVALS AND/OR TO MATCH LOCATION OF EXPANSION JOINTS IN PAVING - SEE CURB EXPANSION JOINT DETAIL.

SPILL CURB AND 1' WIDE GUTTER

SCALE: 1/2" = 1'-0"

PROPOSED ONSITE CURB
NOTE: 1.5% MAX. SLOPE OF PAN IN ADA PARKING AREAS.



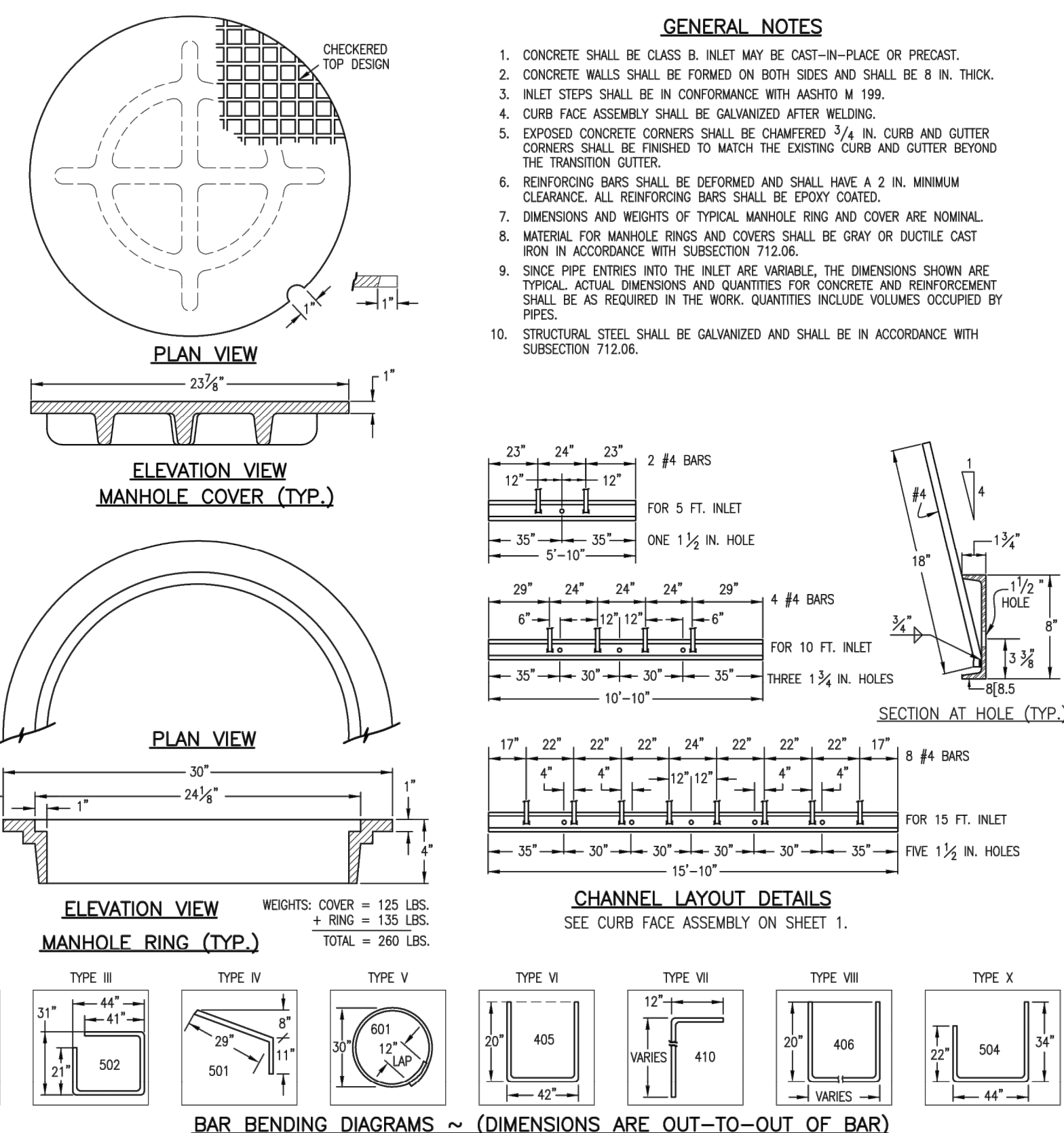
Computer File Information	Sheet Revisions	Colorado Department of Transportation	STANDARD PLAN NO.
Creation Date: 07/04/06 Initials: SJR Last Modification Date: 07/04/06 Initials: LTA Full Path: www.dot.state.co.us/DesignSupport/ Drawing File Name: 6040120102.dwg CAD Ver: MicroStation V8 Scale: Not to Scale Units: English	Date: _____ Comments: _____	4201 East Arkansas Avenue Denver, Colorado 80222 Phone: (303) 757-9083 Fax: (303) 757-9820	M-604-12
		Project Development Branch SRJ/LTA	Sheet No. 1 of 2

MARK	BAR # OR SIZE	O.C. SPACING	TYPE	ALL INLETS			INLETS: H ≤ 5 FT.			INLETS: H > 5 FT.			
				NO. REQ'D.	LENGTH	NO. REQ'D.	LENGTH	NO. REQ'D.	LENGTH	NO. REQ'D.	LENGTH	NO. REQ'D.	LENGTH
401	4	11"	II	15	*	21	*	26	*	11	*	11	*
402	4	11"	II	7	*	13	*	18	*	7	*	7	*
403	4	9"	II	*	4'-0"	*	4'-0"	*	4'-0"	*	4'-0"	*	4'-0"
405	4	6"	VI	11	6'-10"	21	6'-10"	31	6'-10"	11	6'-10"	11	6'-10"
406	4	6"	VII	7	8'-10"	7	13'-10"	7	18'-10"	7	8'-10"	7	8'-10"
407	4	9"	II	*	5'-10"	*	10'-10"	*	15'-10"	*	5'-10"	*	5'-10"
408	4	12"	II	3	6'-10"	3	11'-10"	3	16'-0"	3	11'-10"	3	16'-0"
409	4	8"	II	6	5'-10"	6	10'-10"	6	15'-10"	6	10'-10"	6	15'-10"
410	4	11"	VIII	*	5'-10"	*	10'-10"	*	15'-10"	*	5'-10"	*	5'-10"
411	4	11"	II	*	5'-10"	*	10'-10"	*	15'-10"	*	5'-10"	*	5'-10"
412	4	11"	II	*	5'-10"	*	10'-10"	*	15'-10"	*	5'-10"	*	5'-10"
413	4	9"	II	*	4'-0"	*	4'-0"	*	4'-0"	*	4'-0"	*	4'-0"
501	5	5 1/2"	IV	11	3'-4"	22	3'-4"	33	3'-4"	22	3'-4"	33	3'-4"
502	5	5 1/2"	III	11	3'-4"	22	3'-4"	33	3'-4"	11	11'-5"	17	11'-5"
503	5	5 1/2"	II	5	3'-6"	16	3'-6"	27	3'-6"	6	3'-6"	6	3'-6"
504	5	5 1/2"	IX	*	3'-6"	*	3'-6"	*	3'-6"	*	3'-6"	*	3'-6"
601	6	2 1/2"	V	2	8'-10"	2	8'-10"	2	8'-10"	2	8'-10"	2	8'-10"
8/8.5				1	10'-10"	1	10'-10"	1	15'-10"	1	10'-10"	1	15'-10"

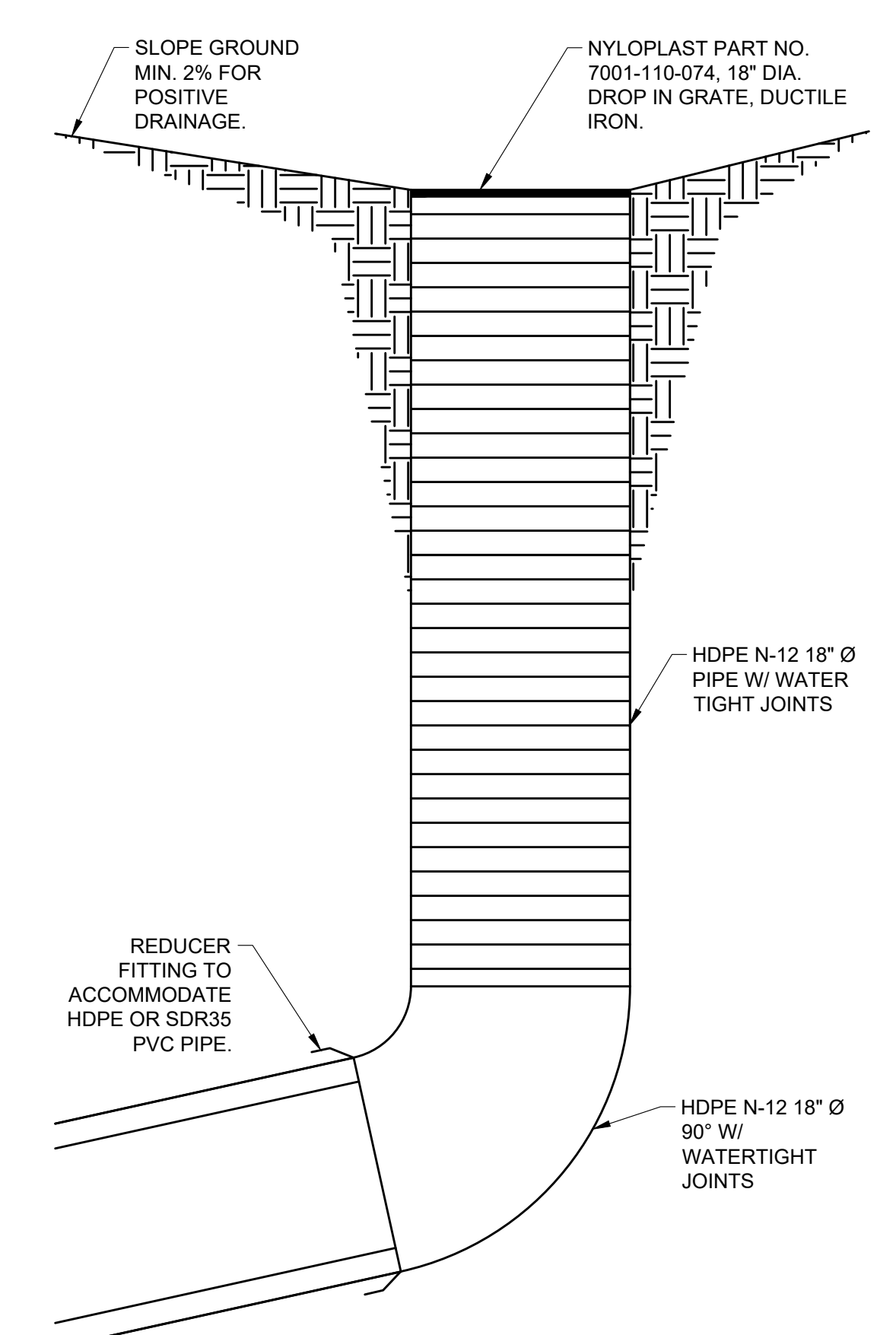
TABLE ONE ~ BAR LIST FOR CURB INLETS, TYPE "R"

H"	LENGTH	NO. REQ'D.		CONC. CU. YDS.	STEEL LBS.	CONC. CU. YDS.	STEEL LBS.	CONC. CU. YDS.	STEEL LBS.
		REGULAR	DROP BOX						
3'-0"	2'-8"	10	7	3.2	285	5.3	497	7.4	706
3'-6"	3'-2"	10	7	3.4	305	5.7	528	7.9	747
4'-0"	3'-8"	12	9	3.7	326	6.0	559	8.4	786
4'-6"	4'-2"	12	9	3.9	334	6.4	571	8.8	803
5'-0"	4'-8"	14	11	4.1	354	6.7	602	9.3	844
5'-6"	5'-2"	16	13	4.4	375	7.0	637	9.7	880
6'-0"	5'-8"	16	13	4.6	382	7.3	664	10.1	917
6'-6"	6'-2"	18	15	4.8	402	7.6	711	10.6	954
7'-0"	6'-8"	20	17	5.0	423	7.9	758	11.1	997
7'-6"	7'-2"	20	17	5.3	430	8.0	749	9.4	907
8'-0"	7'-8"	22	19	5.5	451	8.3	796	9.7	947
8'-6"	8'-2"	24	21	5.7	471	8.5	827	10.1	984
9'-0"	8'-8"	24	21	6.0	479	8.7	858	10.5	1021
9'-6"	9'-2"	26	23	6.2	499	8.9	892	10.9	1058
10'-0"	9'-8"	28	25	6.4	520	9.0	927	11.3	1095
10'-6"	10'-2"	28	25	6.7	527	9.3	959	11.7	1132
11'-0"	10'-8"	30	27	6.9	547	9.5	994	12.1	1169

Computer File Information	Sheet Revisions	Colorado Department of Transportation	STANDARD PLAN NO.
Creation Date: 07/04/06 Initials: SJR Last Modification Date: 07/04/06 Initials: LTA Full Path: www.dot.state.co.us/DesignSupport/ Drawing File Name: 6040120202.dwg CAD Ver: MicroStation V8 Scale: Not to Scale Units: English	Date: _____ Comments: _____	4201 East Arkansas Avenue Denver, Colorado 80222 Phone: (303) 757-9083 Fax: (303) 757-9820	M-604-12
		Project Development Branch SRJ/LTA	Sheet No. 2 of 2



Computer File Information	Sheet Revisions	Colorado Department of Transportation	STANDARD PLAN NO.
Creation Date: 07/04/06 Initials: SJR Last Modification Date: 07/04/06 Initials: LTA Full Path: www.dot.state.co.us/DesignSupport/ Drawing File Name: 6040120202.dwg CAD Ver: MicroStation V8 Scale: Not to Scale Units: English	Date: _____ Comments: _____	4201 East Arkansas Avenue Denver, Colorado 80222 Phone: (303) 757-9083 Fax: (303) 757-9820	M-604-12
		Project Development Branch SRJ/LTA	Sheet No. 2 of 2



YARD DRAIN

NDS DURA SLOPE™ CHANNEL DRAINS

NDS Dura Slope™ is a 6 1/2" wide, 4-foot-long trench drain system with a built-in slope of 0.7%. Each channel section is molded of gray structural foam polyethylene with UV inhibitors and has a 4" inside diameter with a 2" radius bottom. The system consists of 4-foot channel sections including 24 pre-sloped channel sections and 9 neutral channel sections. The sloped channel sections enable the system to extend to a length of 96 feet with a continuous slope.

GRATED TROUGH

THE TOWN OF PARKER REVIEW CONSTITUTES GENERAL COMPLIANCE WITH THE TOWN'S STANDARDS AND APPROVED VARIANCES. SUBJECT TO THESE PLANS BEING STAMPED, SIGNED, AND DATED BY THE PROFESSIONAL ENGINEER OF RECORD. REVIEW BY THE TOWN DOES NOT CONSTITUTE APPROVAL OF THE PLAN DESIGN OR ACCURACY AND CORRECTNESS OF ENGINEERING CALCULATIONS. ERRORS IN THE DESIGN OR CALCULATIONS REMAIN THE RESPONSIBILITY OF THE REGISTERED PROFESSIONAL ENGINEER WHOSE STAMP AND SIGNATURE ARE AFFIXED TO THIS DOCUMENT. THIS REVIEW DOES NOT CONSTITUTE APPROVAL OF ANY PRIVATE ON-SITE IMPROVEMENTS WHICH MAY BE SHOWN. CONSTRUCTION CANNOT COMMENCE UNTIL ALL REQUIRED DRAINAGE/TRAFFIC REPORT(S), FINAL DEVELOPMENT PLAN(S), SPECIAL REVIEW(S), GRADING PERMIT, AND/OR OTHER PERMITS ARE COMPLETE, APPROVED AND ON FILE WITH THE TOWN OF PARKER.

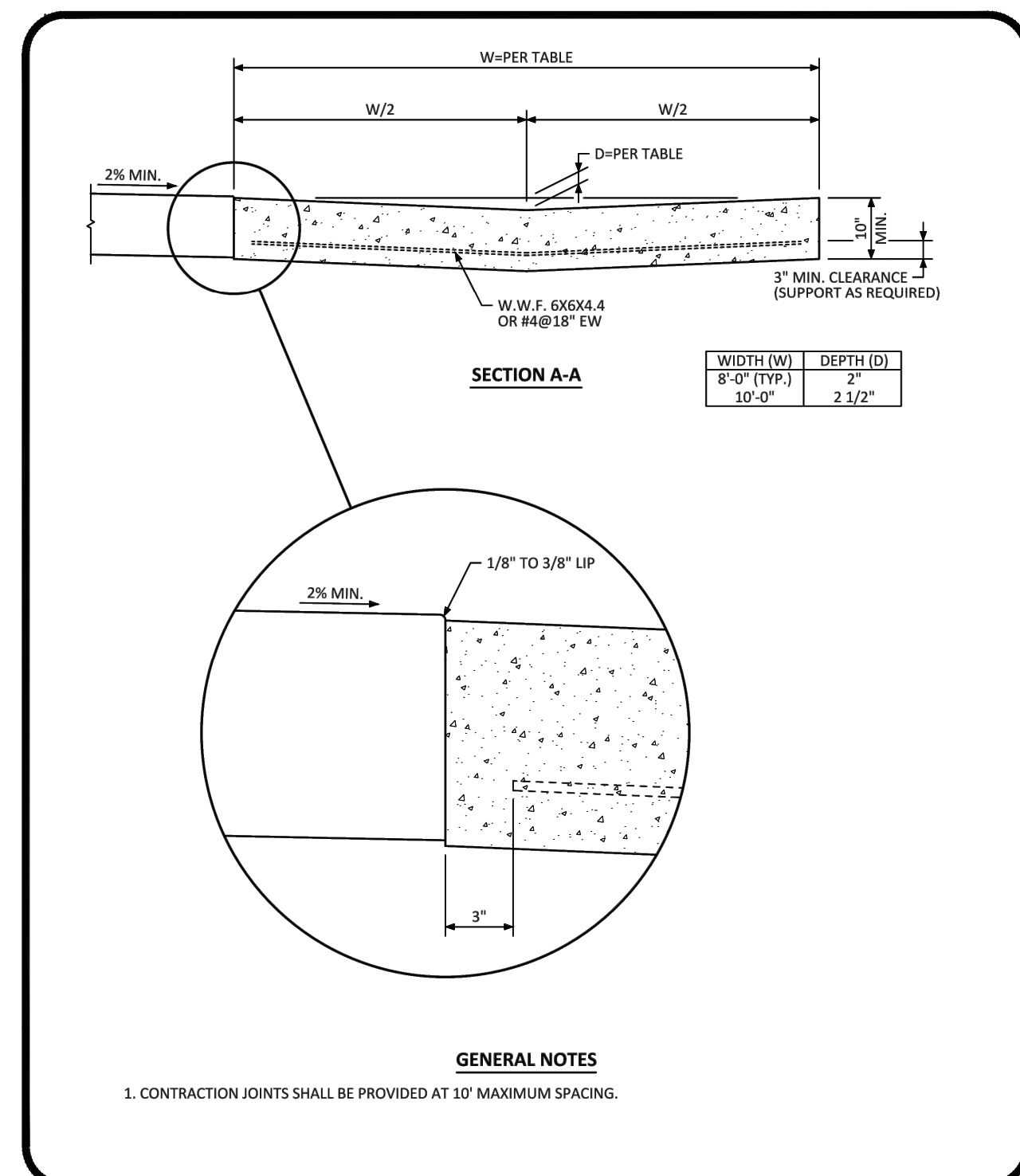
TOWN OF PARKER, DIRECTOR OF ENGINEERING/PUBLIC WORKS

© 2021, ALL RIGHTS RESERVED.



CALL UTILITY NOTIFICATION CENTER OF COLORADO
1-800-922-1987 or 811
CALL 3-BUSINESS DAYS (NOT INCLUDING INITIAL DAY OF CONTACT) IN ADVANCE BEFORE YOU DIG, GRADE, OR EXCAVATE FOR THE MARKING OF UNDERGROUND MEMBER UTILITIES.

DATE	
BY	
REVISION	
No.	
EES ENGINEERING AND SOLUTIONS, INC.	
501 S Cherry St, Suite 300 Glendale, CO 80246 303-672-7997 www.ees.us	
CONSTRUCTION DOCUMENTS	
CONVENIENCE STORE	
12181 AND 12191 SLICEROO DRIVE, PARKER, CO 80134	
CIVIL DETAILS	
PROJECT NO: _____	
DESIGNED BY: LCG	
DRAWN BY: JLG	
DATE: 09/21/2021	
C5.1	



NO CHANGES ARE TO BE MADE TO THIS DRAWING WITHOUT WRITTEN PERMISSION OF THE TOWN OF PARKER.

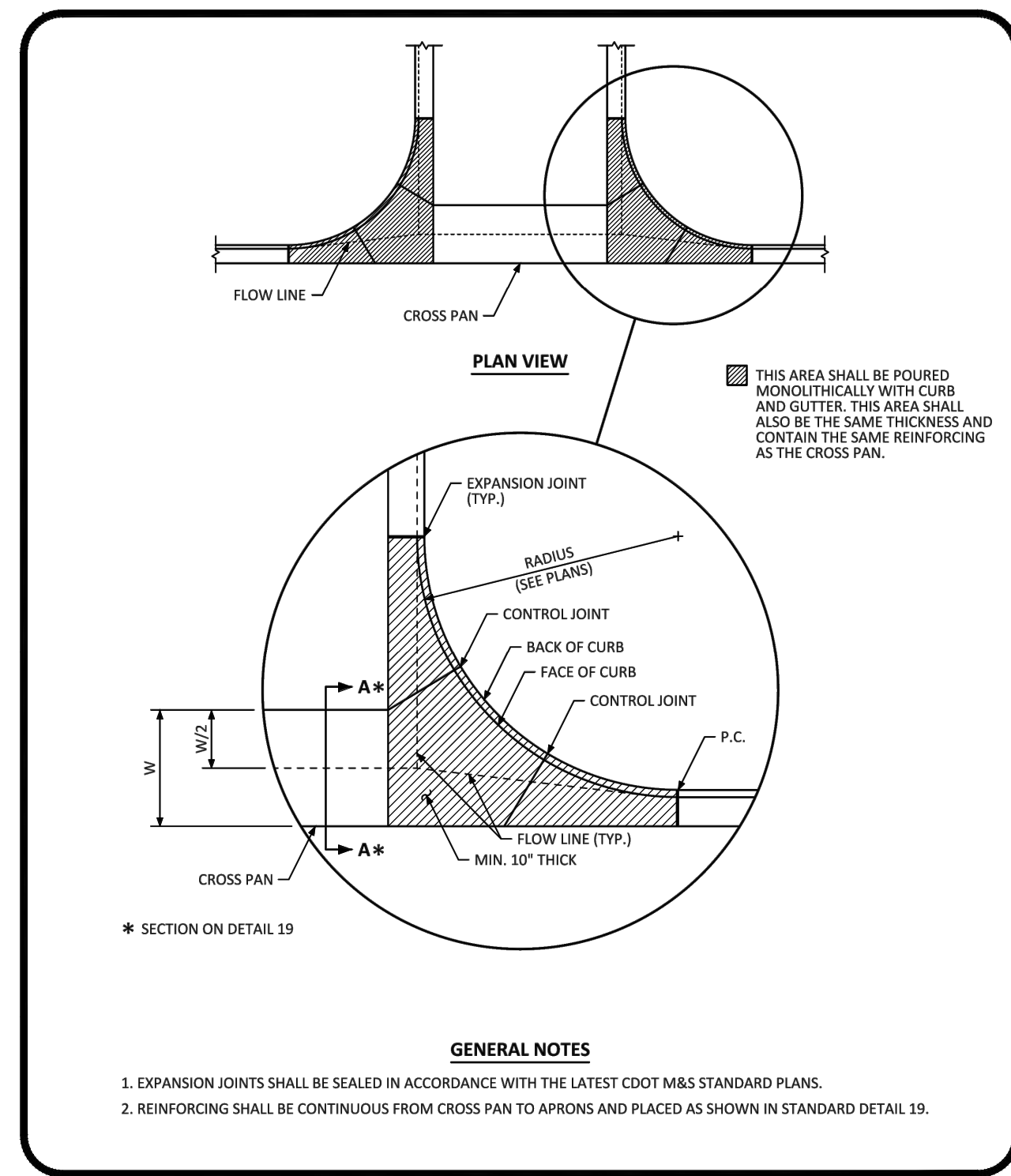
PARKER COLORADO

INTERSECTION CROSS PAN LAYOUT STANDARD DETAIL

DATE DECEMBER 2016

19

1 OF 2



NO CHANGES ARE TO BE MADE TO THIS DRAWING WITHOUT WRITTEN PERMISSION OF THE TOWN OF PARKER.

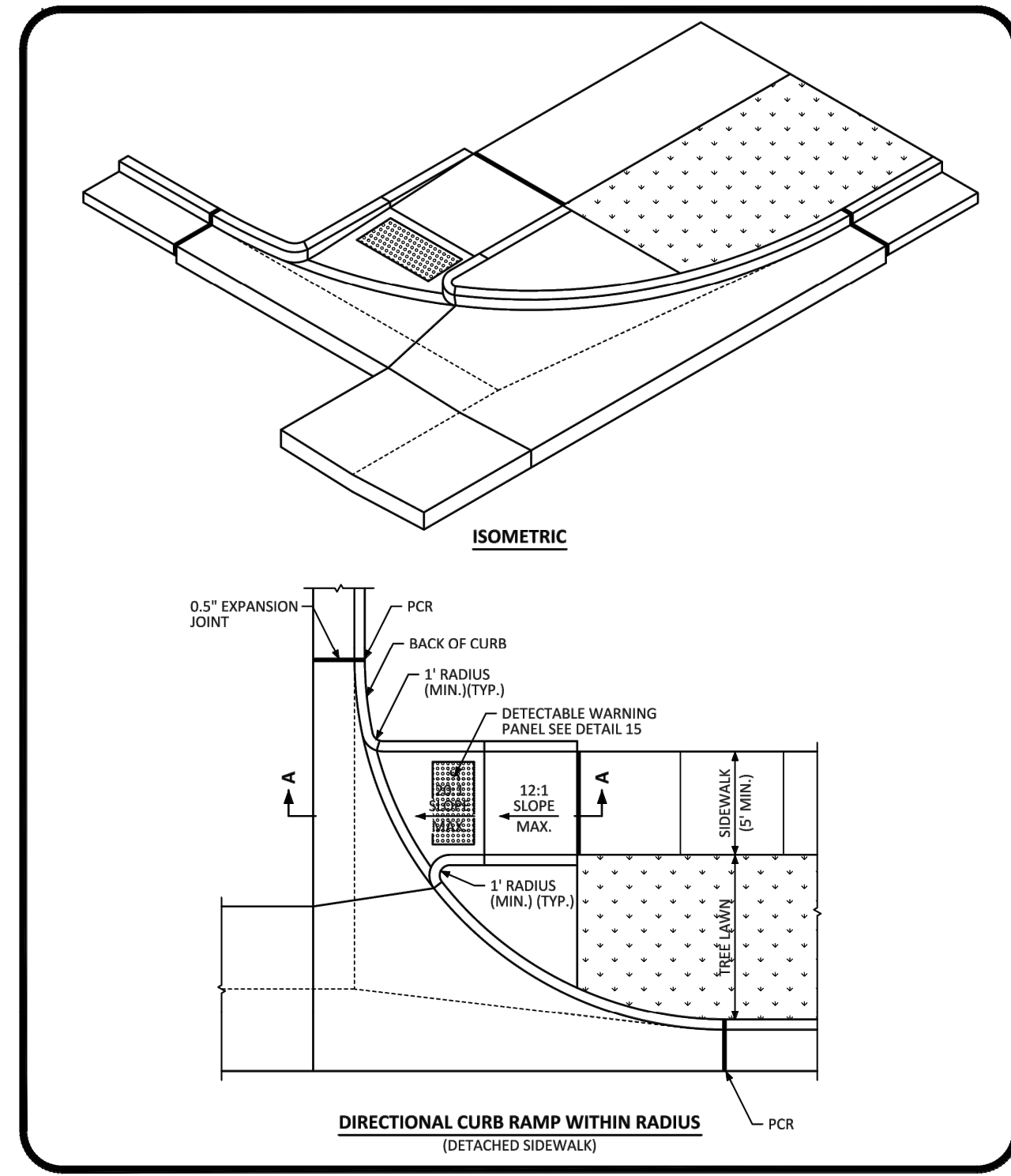
PARKER COLORADO

DIRECTIONAL CURB RAMP WITHIN RADIUS LAYOUT STANDARD DETAIL

DATE DECEMBER 2016

18

2 OF 2



NO CHANGES ARE TO BE MADE TO THIS DRAWING WITHOUT WRITTEN PERMISSION OF THE TOWN OF PARKER.

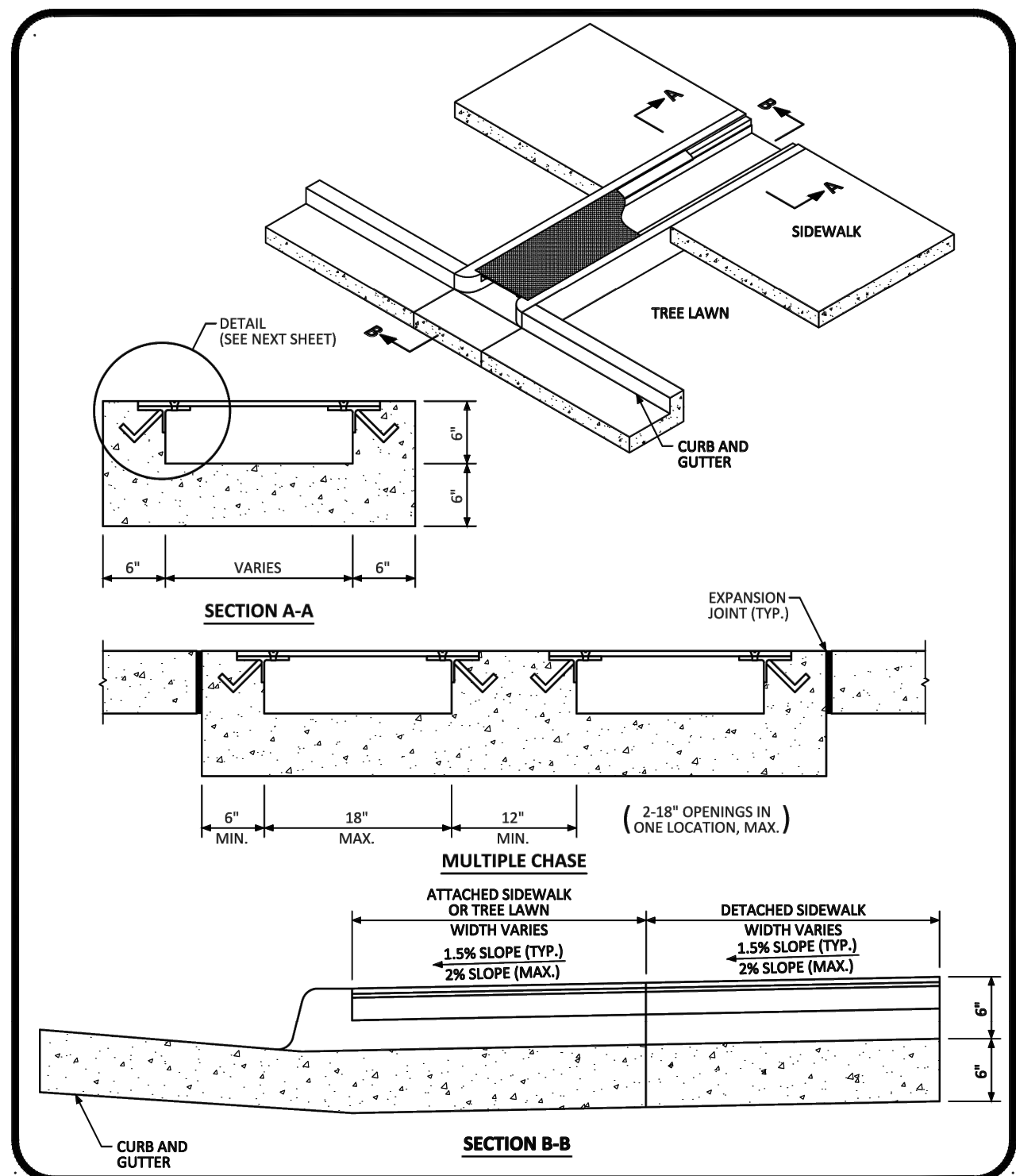
PARKER COLORADO

DIRECTIONAL CURB RAMP WITHIN RADIUS LAYOUT STANDARD DETAIL

DATE DECEMBER 2016

18

2 OF 2



NO CHANGES ARE TO BE MADE TO THIS DRAWING WITHOUT WRITTEN PERMISSION OF THE TOWN OF PARKER.

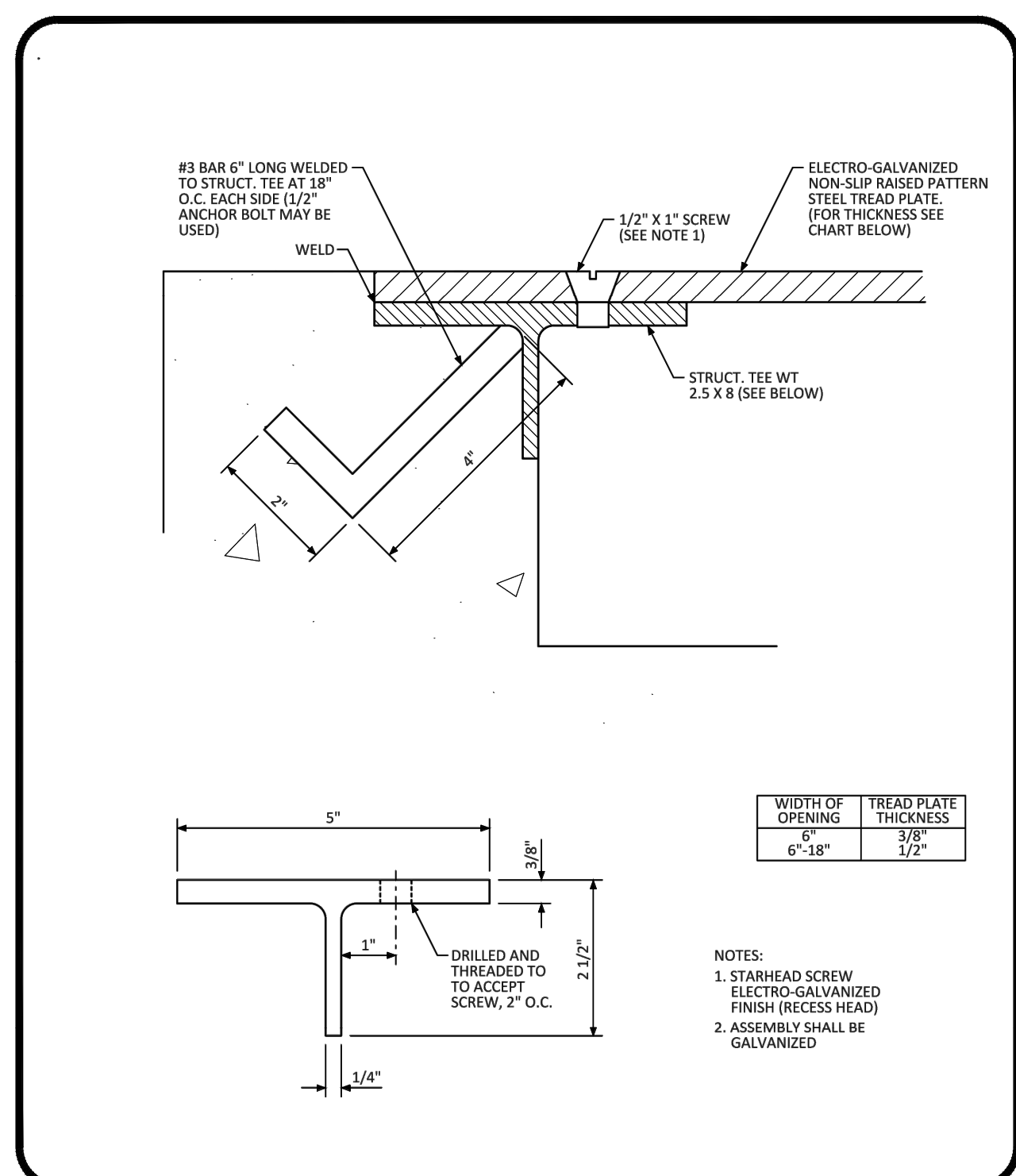
PARKER COLORADO

CURB CHASE DRAIN (NON-RESIDENTIAL) LAYOUT STANDARD DETAIL

DATE DECEMBER 2016

29

1 OF 2



NO CHANGES ARE TO BE MADE TO THIS DRAWING WITHOUT WRITTEN PERMISSION OF THE TOWN OF PARKER.

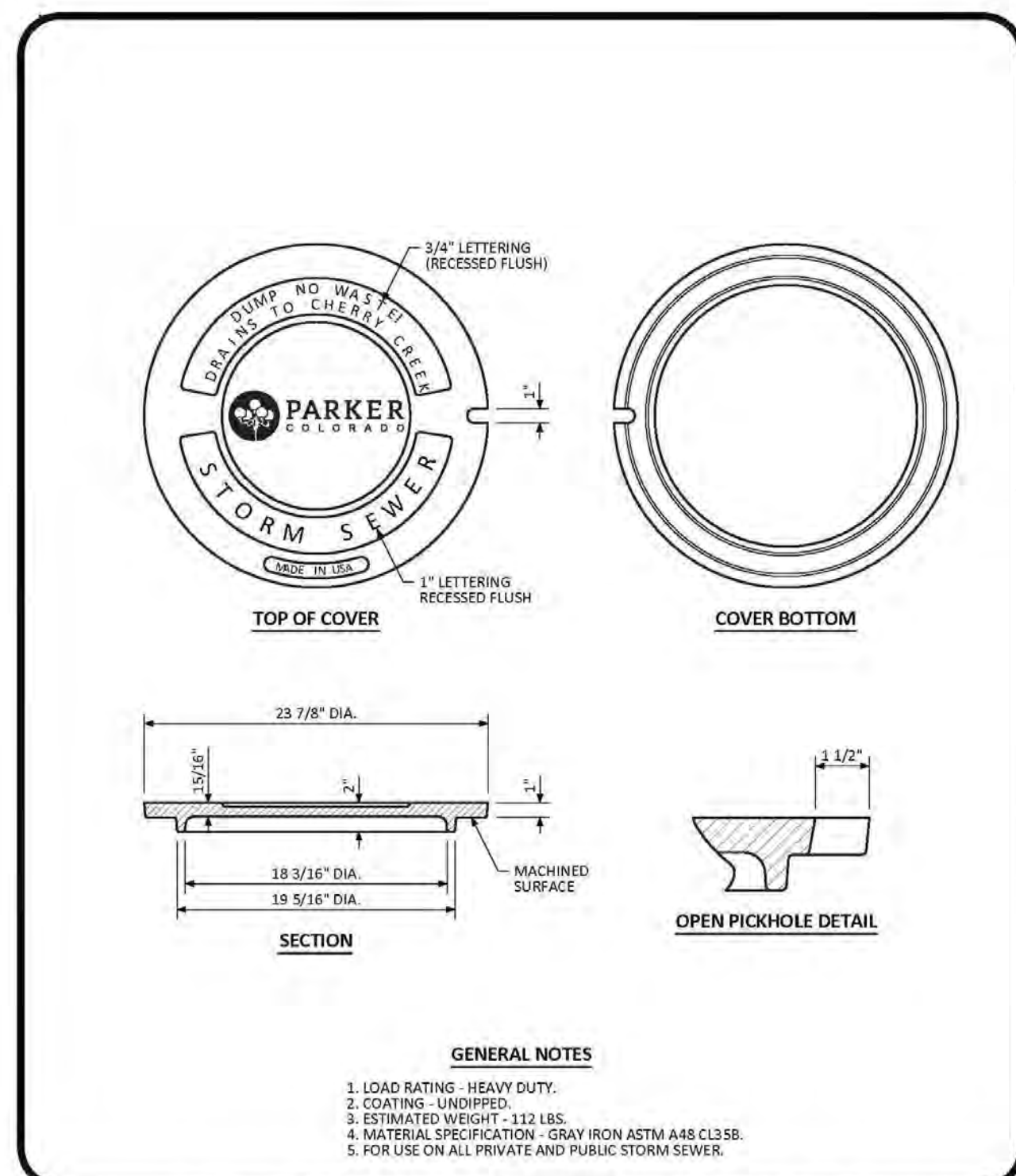
PARKER COLORADO

CURB CHASE DRAIN (NON-RESIDENTIAL) LAYOUT STANDARD DETAIL

DATE DECEMBER 2016

29

2 OF 2



NO CHANGES ARE TO BE MADE TO THIS DRAWING WITHOUT WRITTEN PERMISSION OF THE TOWN OF PARKER.

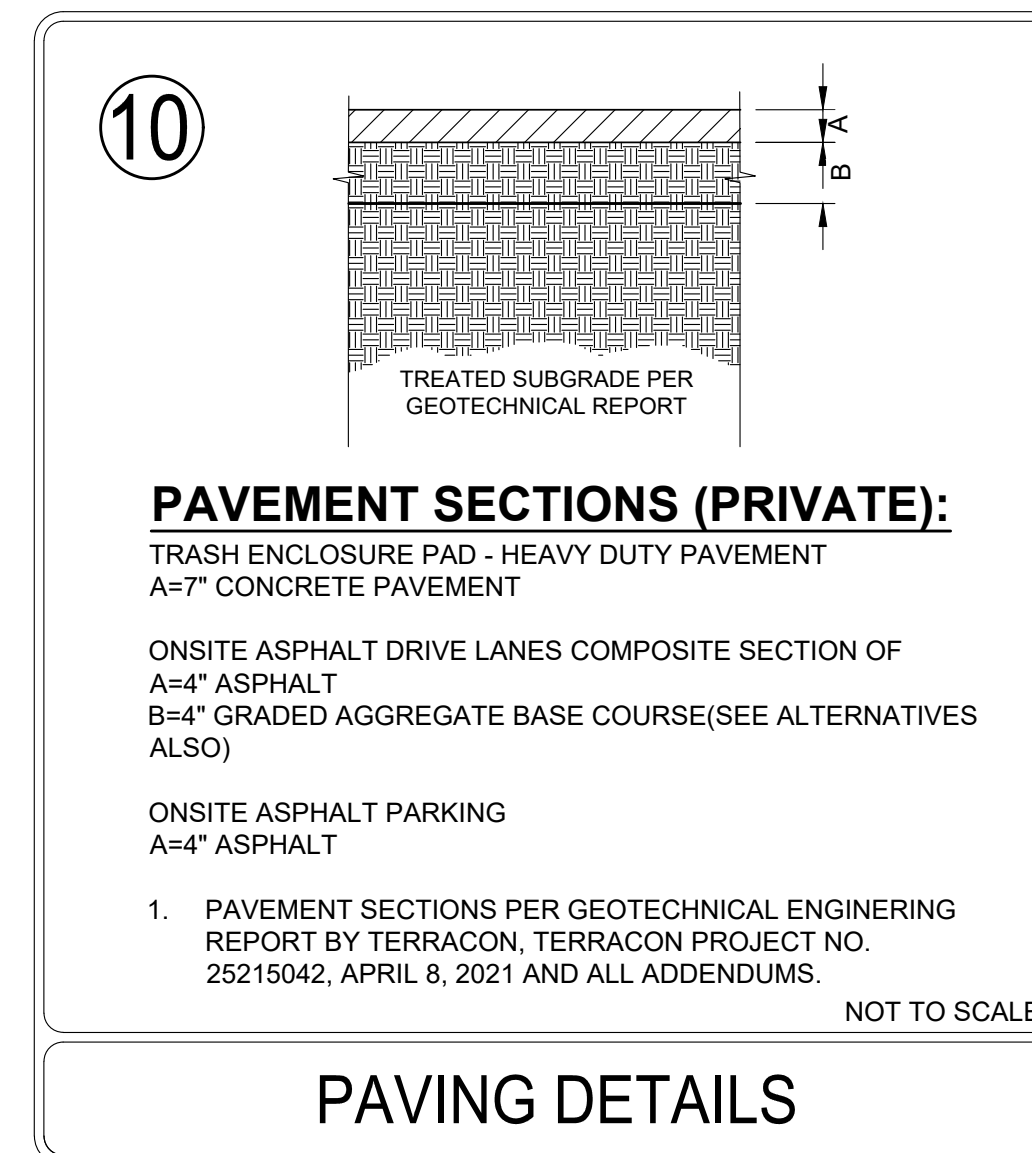
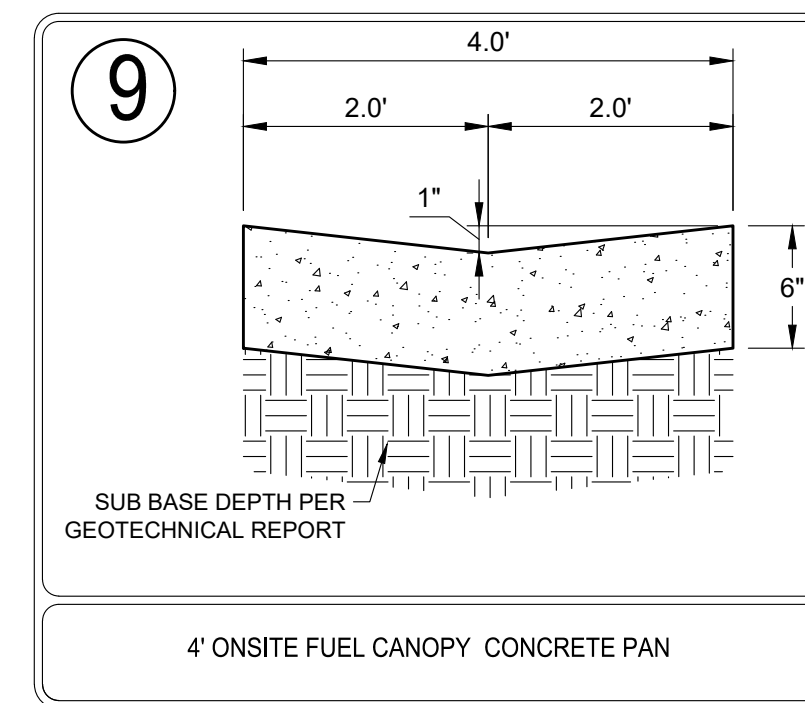
PARKER COLORADO

MANHOLE COVER STANDARD DETAIL

DATE DECEMBER 2016

33

1 OF 1



NO CHANGES ARE TO BE MADE TO THIS DRAWING WITHOUT WRITTEN PERMISSION OF THE TOWN OF PARKER.

PARKER COLORADO

PAVING DETAILS

DATE DECEMBER 2016

10

1 OF 1

BY	DATE
REVISION	
No.	
 EES ENGINEERING SOLUTIONS, INC. 501 S Cherry St, Suite 300 Glendale, CO 80246 303-572-7997 www.ees.us.com	
CONSTRUCTION DOCUMENTS CONVENIENCE STORE 12181 AND 12191 SLICEROO DRIVE, PARKER, CO 80134 CIVIL DETAILS	
PROJECT NO:	
DESIGNED BY:	LCG
DRAWN BY:	JLG
DATE:	09/21/2021
C5.2	



CALL UTILITY NOTIFICATION CENTER OF COLORADO
1-800-922-1987 or 811
 CALL 3-BUSINESS DAYS (NOT INCLUDING INITIAL DAY OF CONTACT) IN ADVANCE BEFORE YOU DIG, GRADE, OR EXCAVATE FOR THE MARKING OF UNDERGROUND MEMBER UTILITIES.

THE TOWN OF PARKER REVIEW CONSTITUTES GENERAL COMPLIANCE WITH THE TOWN'S STANDARDS AND APPROVED VARIANCES. SUBJECT TO THESE PLANS BEING STAMPED, SIGNED, AND DATED BY THE PROFESSIONAL ENGINEER OF RECORD. REVIEW BY THE TOWN DOES NOT CONSTITUTE APPROVAL OF THE PLAN DESIGN OR ACCURACY AND CORRECTNESS OF ENGINEERING CALCULATIONS. ERRORS IN THE DESIGN OR CALCULATIONS REMAIN THE RESPONSIBILITY OF THE REGISTERED PROFESSIONAL ENGINEER WHOSE STAMP AND SIGNATURE ARE AFFIXED TO THIS DOCUMENT. THIS REVIEW DOES NOT CONSTITUTE APPROVAL OF ANY PRIVATE ON-SITE IMPROVEMENTS WHICH MAY BE SHOWN. CONSTRUCTION CANNOT COMMENCE UNTIL ALL REQUIRED DRAINAGE/TRAFFIC REPORT(S), FINAL DEVELOPMENT PLAN(S), SPECIAL REVIEW(S), GRADING PERMIT, AND/OR OTHER PERMITS ARE COMPLETE, APPROVED AND ON FILE WITH THE TOWN OF PARKER.

TOWN OF PARKER, DIRECTOR OF ENGINEERING/PUBLIC WORKS

DATE