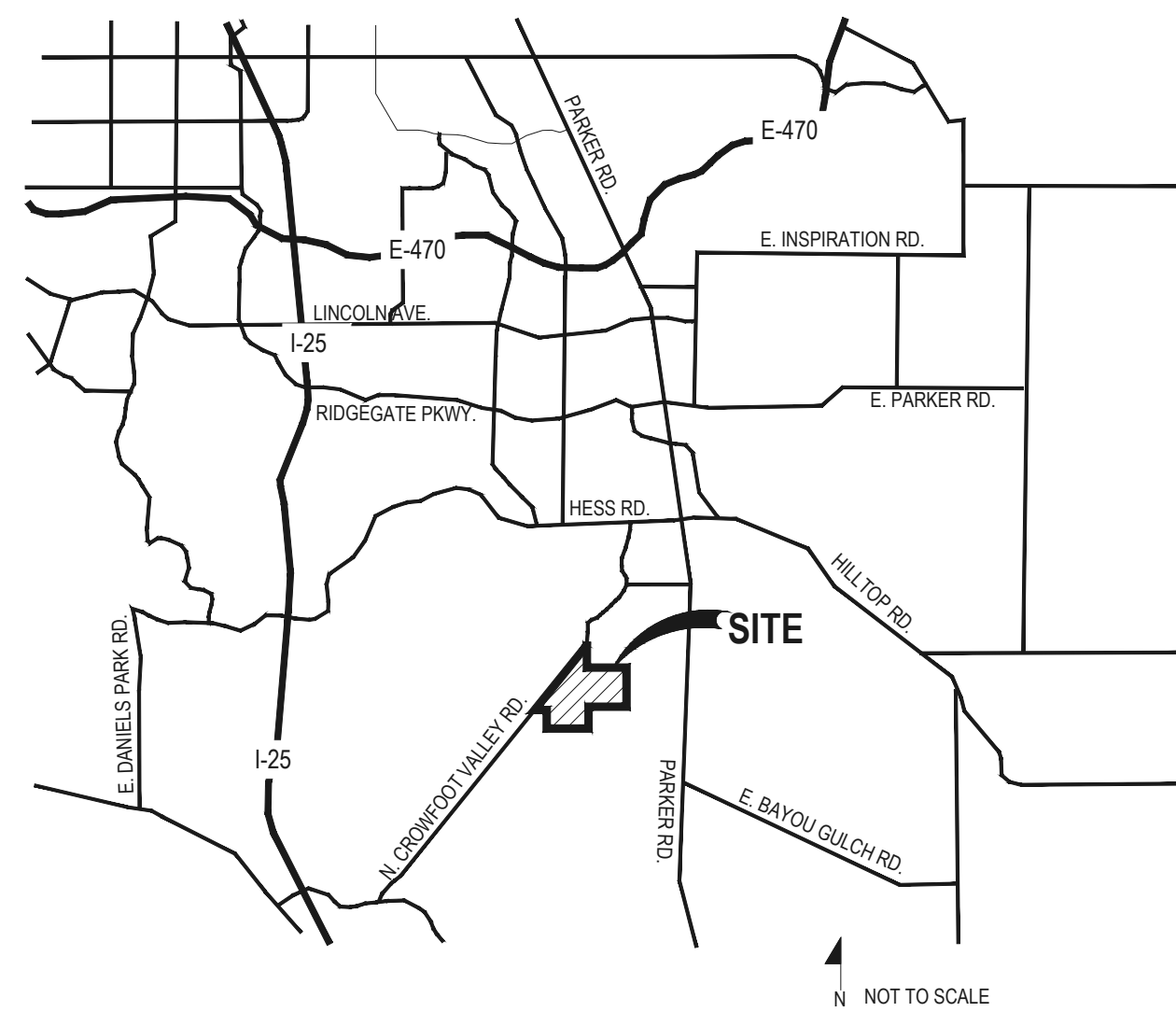


TRAILS AT CROWFOOT

FILING NO. 2 FINAL LANDSCAPE PLANS



VICINITY MAP



KEY MAP

GENERAL NOTES

- DRAWINGS ARE INTENDED TO BE PRINTED ON 24 X 36 PAPER. PRINTING THESE DRAWINGS AT A DIFFERENT SIZE WILL IMPACT THE SCALE. VERIFY THE GRAPHIC SCALE BEFORE REFERENCING ANY MEASUREMENTS ON THESE SHEETS. THE RECIPIENT OF THESE DRAWINGS SHALL BE RESPONSIBLE FOR ANY ERRORS RESULTING FROM INCORRECT PRINTING, COPYING, OR ANY OTHER CHANGES THAT ALTER THE SCALE OF THE DRAWINGS.
- VERIFY ALL PLAN DIMENSIONS PRIOR TO START OF CONSTRUCTION. NOTIFY THE OWNER'S REPRESENTATIVE TO ADDRESS ANY QUESTIONS OR CLARIFY ANY DISCREPANCIES.
- WRITTEN DIMENSIONS TAKE PRECEDENCE OVER SCALED DIMENSIONS.
- SUBMIT A CHANGE ORDER FOR APPROVAL FOR ANY CHANGES TO WORK SCOPE RESULTING FROM FIELD CONDITIONS OR DIRECTION BY OWNER'S REPRESENTATIVE WHICH REQUIRE ADDITIONAL COST TO THE OWNER PRIOR TO PERFORMANCE OF WORK.
- ANY CHANGE TO THE LANDSCAPE PLAN WILL REQUIRE APPROVAL AND MAY REQUIRE A SITE PLAN AMENDMENT.
- THE CONTRACTOR SHALL PROVIDE A STAKED LAYOUT OF ALL SITE IMPROVEMENTS FOR INSPECTION BY THE OWNER'S REPRESENTATIVE AND MAKE MODIFICATIONS AS REQUIRED. ALL LAYOUT INFORMATION IS AVAILABLE IN DIGITAL FORMAT FOR USE BY THE CONTRACTOR.
- IF A GEOTECHNICAL SOILS REPORT IS NOT AVAILABLE AT THE TIME OF CONSTRUCTION, PCS GROUP, INC. RECOMMENDS A REPORT BE AUTHORIZED BY THE OWNER AND THAT ALL RECOMMENDATIONS OF THE REPORT ARE FOLLOWED DURING CONSTRUCTION.
- THE CONTRACTOR SHALL USE THESE CONTRACT DOCUMENTS AS A BASIS FOR THE BID. IF THE OWNER ELECTS TO PROVIDE A GEOTECHNICAL REPORT, THE CONTRACTOR SHALL REVIEW THE REPORT AND SUBMIT AN APPROPRIATE CHANGE ORDER TO THE OWNER'S REPRESENTATIVE IF ADDITIONAL COSTS ARE REQUESTED.
- CONTRACTOR SHALL CONFIRM THAT SITE CONDITIONS ARE SIMILAR TO THE PLANS WITHIN TOLERANCES STATED IN THE CONTRACT DOCUMENTS, AND SATISFACTORY TO THE CONTRACTOR PRIOR TO START OF WORK. SHOULD SITE CONDITIONS BE DIFFERENT THAN REPRESENTED ON THE PLANS OR UNSATISFACTORY TO THE CONTRACTOR, THE CONTRACTOR SHALL CONTACT THE OWNER'S REPRESENTATIVE FOR CLARIFICATION AND FURTHER DIRECTION.
- CONTRACTOR IS RESPONSIBLE TO PAY FOR, AND OBTAIN, ANY REQUIRED APPLICATIONS, PERMITTING, LICENSES, INSPECTIONS AND METERS ASSOCIATED WITH WORK.
- THE CONTRACTOR SHALL BE RESPONSIBLE FOR ANY FINES OR PENALTIES ASSESSED TO THE OWNER RELATING TO ANY VIOLATIONS OR NON-CONFORMANCE WITH THE PLANS, SPECIFICATIONS, CONTRACT DOCUMENTS, JURISDICTIONAL CODES AND REGULATORY AGENCIES.
- THE CONTRACTOR SHALL BE RESPONSIBLE FOR COORDINATION OF ALL UTILITY LOCATES PRIOR TO ANY EXCAVATION. NOTIFY OWNER'S REPRESENTATIVE IF EXISTING OR PROPOSED UTILITIES INTERFERE WITH THE ABILITY TO PERFORM WORK.
- UNLESS IDENTIFIED ON THE PLANS FOR DEMOLITION OR REMOVAL, THE CONTRACTOR IS RESPONSIBLE FOR THE COST TO REPAIR UTILITIES, ADJACENT OR EXISTING LANDSCAPE, ADJACENT OR EXISTING PAVING, OR ANY PUBLIC AND PRIVATE PROPERTY THAT IS DAMAGED BY THE CONTRACTOR OR THEIR SUBCONTRACTOR'S OPERATIONS DURING INSTALLATION, ESTABLISHMENT OR DURING THE SPECIFIED MAINTENANCE PERIOD. ALL DAMAGES SHALL BE REPAIRED TO PRE-CONSTRUCTION CONDITIONS AS DETERMINED BY THE OWNER'S REPRESENTATIVE. CONTRACTOR SHALL BE RESPONSIBLE FOR LOGGING ANY DAMAGES PRIOR TO START OF CONSTRUCTION AND DURING THE CONTRACT PERIOD.
- ANY AREAS OR IMPROVEMENTS DISTURBED OUTSIDE WORK AREA LIMITS SHALL BE RETURNED TO THEIR ORIGINAL CONDITION AT THE CONTRACTOR'S EXPENSE. IN THE EVENT THE CONTRACTOR REQUIRES A MODIFICATION TO THE CONSTRUCTION LIMITS, WRITTEN PERMISSION MUST BE OBTAINED FROM THE OWNER'S REPRESENTATIVE PRIOR TO ANY DISTURBANCE OUTSIDE OF THE LIMITS OF WORK.
- THE CONTRACTOR SHALL BE RESPONSIBLE FOR THE REPAIR OF ANY OF THEIR TRENCHES OR EXCAVATIONS THAT SETTLE.
- THE CONTRACTOR SHALL BE RESPONSIBLE TO PREPARE AND SUBMIT A TRAFFIC CONTROL PLAN TO THE APPROPRIATE JURISDICTIONAL AGENCIES AND THE OWNER'S REPRESENTATIVE IF THEIR WORK AND OPERATIONS AFFECT OR IMPACT THE PUBLIC RIGHTS-OF-WAY. OBTAIN APPROVAL PRIOR TO ANY WORK WHICH AFFECTS OR IMPACTS THE PUBLIC RIGHTS-OF-WAY. THE CONTRACTOR SHALL BE RESPONSIBLE FOR ANY FINES OR PENALTIES ASSESSED TO THE OWNER RELATING TO THIS REQUIREMENT DURING THE CONTRACT PERIOD.
- SIGHT TRIANGLES AND SIGHT LINES SHALL REMAIN UNOBSTRUCTED BY EQUIPMENT, CONSTRUCTION MATERIALS, PLANT MATERIAL OR ANY OTHER VISUAL OBSTACLE DURING THE CONTRACT PERIOD AND AT MATURITY OF PLANTS PER LOCAL JURISDICTIONAL REQUIREMENTS. NO PLANT MATERIAL OTHER THAN GROUND COVER IS ALLOWED TO BE PLANTED ADJACENT TO FIRE HYDRANTS AS STIPULATED BY JURISDICTIONAL REQUIREMENTS.
- COORDINATE SITE ACCESS, STAGING, STORAGE AND CLEAN OUT AREAS WITH OWNER'S REPRESENTATIVE.
- CONTRACTOR IS RESPONSIBLE FOR PROVIDING TEMPORARY SAFETY FENCING AND BARRIERS AROUND ALL IMPROVEMENTS SUCH AS WALLS, PLAY STRUCTURES, EXCAVATIONS, ETC. ASSOCIATED WITH THEIR WORK UNTIL SUCH FACILITIES ARE COMPLETELY INSTALLED PER THE PLANS, SPECIFICATIONS AND MANUFACTURERS' RECOMMENDATIONS.
- CONTRACTOR SHALL BE RESPONSIBLE FOR PROTECTION OF THEIR MATERIAL STOCKPILES CONCRETE IN THE STORM SEWER IS PROHIBITED.
- THE CONTRACTOR SHALL KNOW, UNDERSTAND AND ABIDE BY ANY STORM WATER POLLUTION PREVENTION PLAN (SWPPP) ASSOCIATED WITH THE SITE. IF A STORM WATER POLLUTION PREVENTION PLAN IS NOT PROVIDED BY THE OWNER'S REPRESENTATIVE, REQUEST A COPY BEFORE PERFORMANCE OF ANY SITE WORK.
- CONTRACTOR SHALL MAINTAIN ANY STORM WATER MANAGEMENT FACILITIES THAT EXIST ON SITE FOR FULL FUNCTIONALITY. THE CONTRACTOR SHALL INSTALL AND MAINTAIN ANY NEW STORM WATER MANAGEMENT FACILITIES THAT ARE IDENTIFIED IN THE SCOPE OF WORK TO FULL FUNCTIONALITY. THE CONTRACTOR SHALL BE RESPONSIBLE FOR ANY FINES OR PENALTIES ASSESSED TO THE OWNER FOR FAILURE TO MAINTAIN STORM WATER MANAGEMENT FACILITIES DURING THE CONTRACT PERIOD.
- THE CONTRACTOR SHALL PREVENT SEDIMENT, DEBRIS AND ALL OTHER POLLUTANTS FROM EXITING THE SITE OR ENTERING THE STORM SEWER SYSTEM DURING ALL DEMOLITION OR CONSTRUCTION OPERATIONS THAT ARE PART OF THIS PROJECT. THE CONTRACTOR SHALL BE RESPONSIBLE FOR ANY FINES OR PENALTIES ASSESSED TO THE OWNER RELATING TO THESE REQUIREMENTS DURING THEIR CONTRACTED COURSE OF WORK.
- THE CONTRACTOR SHALL BE RESPONSIBLE TO PREVENT ANY IMPACTS TO ADJACENT WATERWAYS, WETLANDS, OR OTHER ENVIRONMENTALLY SENSITIVE AREAS RESULTING FROM WORK DONE AS PART OF THIS PROJECT. THE CONTRACTOR SHALL BE RESPONSIBLE FOR ANY FINES OR PENALTIES ASSESSED TO THE OWNER RELATING TO THESE STANDARDS DURING THEIR CONTRACTED COURSE OF WORK.
- THE CONTRACTOR AND OR THEIR AUTHORIZED AGENTS SHALL INSURE THAT ALL LOADS OF CONSTRUCTION MATERIAL IMPORTED TO OR EXPORTED FROM THE PROJECT SITE SHALL BE PROPERLY COVERED TO PREVENT LOSS OF MATERIAL DURING TRANSPORT. TRANSPORTATION METHODS ON PUBLIC RIGHT-OF-WAYS SHALL CONFORM TO JURISDICTIONAL REQUIREMENTS. THE CONTRACTOR SHALL BE RESPONSIBLE FOR ANY FINES OR PENALTIES ASSESSED TO THE OWNER RELATING TO THESE REQUIREMENTS.
- THE CLEANING OF EQUIPMENT IS PROHIBITED AT THE JOB SITE UNLESS AUTHORIZED BY THE OWNER'S REPRESENTATIVE IN A DESIGNATED AREA. THE DISCHARGE OF WATER, WASTE CONCRETE, POLLUTANTS, OR OTHER MATERIALS SHALL ONLY OCCUR IN AREAS DESIGNED FOR SUCH USE AND APPROVED BY THE OWNER'S REPRESENTATIVE.

SYMBOLS & ABBREVIATIONS

AC = ACRE	EXP. = EXPANSION	O.C. = ON CENTER
APPROXIMATE = APPROX.	E.W. = EACH WAY	O.D. = OUTSIDE DIAMETER
B&B = BALL AND BURLAP	F.F. = FINISH FLOOR	P.O.B. = POINT OF BEGINNING
BOC = BACK OF CURB	F.G. = FINISH GRADE	P.O.C. = POINT OF CONNECTION
B.M. = BENCH MARK	FIN. = FINISH	P.V.C. = POLYVINYL CHLORIDE
BUILDG. = BUILDING	F.H. = FIRE HYDRANT	PIPE
B.S. = BOTTOM OF STAIR	FL = FLOW LINE	PL = PROPERTY LINE
B.W. = BOTTOM OF WALL	FTG. = FOOTING	R = RADIUS
CAL. = CALIPER	FT. = FEET	R.C.P. = REINFORCED CONCRETE PIPE
C.B. = CATCH BASIN	GA. = GAUGE	R.O.W. = RIGHT OF WAY
CL CATCH BASIN CENTER LINE	GALV. = GALVANIZED	RECD. = REQUIRED
C.O. = CLEANOUT	H.W. = HEAD WALL	REINF. = REINFORCED
COL. = COLUMN	H.P. = HIGH POINT	SHT. = SHEET
CONC. = CONCRETE	HORIZ. = HORIZON	SPEC. = SPECIFICATIONS
CONT. = CONTINUOUS	I.D. = INNER DIAMETER	SQ. = SQUARE
CONTR. = CONTRACTOR	IN. = INCH	S.F. = SQUARE FEET
C.F. = CUBIC FEET	INV. = INVERT	S.V. = SQUARE YARD
C.Y. = CUBIC YARD	L.P. = LOW POINT	S.S. = STAINLESS STEEL
DET. = DETAIL	L.F. = LINEAR FEET	T.C. = TOP OF CURB
DIM. = DIMENSION	MAX. = MAXIMUM	T.S. = TOP OF STAIR
DIA. = DIAMETER	M.H. = MAN HOLE	T.W. = TOP OF WALL
DWG. = DRAWING	MIN. = MINIMUM	TYP. = TYPICAL
EA. = EACH	ELEV. = ELEVATION	VERT. = VERTICAL
EXIST. = EXISTING	EXIST. = EXISTING	W/O = WITH OUT
E.P. = EDGE OF PAVING	N.I.C. = NOT IN CONTRACT	W.W.M. = WOVEN WIRE MESH
	N.T.S. = NOT TO SCALE	

NOTE IDENTIFICATION	
	DEMOLITION NOTE
	CONSTRUCTION NOTE
ELEVATION IDENTIFICATION	
	SPOT ELEVATION
	ELEVATION
DETAIL IDENTIFICATION	
	DETAIL NUMBER
	DETAIL NAME
	SHEET NUMBER

	DETAIL NUMBER
	SECTION DESIGNATION

Sheet Number	Sheet Title
L0.0	LANDSCAPE COVER SHEET
L0.1	LANDSCAPE NOTES & PLANT SCHEDULE
L1.0	OVERALL LANDSCAPE & FENCING PLAN
L1.1	LANDSCAPE PLAN
L1.2	LANDSCAPE PLAN
L1.3	LANDSCAPE PLAN
L1.4	LANDSCAPE PLAN
L2.0	SITE & LANDSCAPE DETAILS
IR1.0	IRRIGATION LEGEND AND NOTES
IR1.1	IRRIGATION DESIGN
IR2.1	IRRIGATION DETAILS

OWNER / DEVELOPER

ESX MANAGEMENT
7353 SOUTH ALTON WAY
CENTENNIAL, CO 80112

PLANNER / LANDSCAPE ARCHITECT

people creating spaces
pcs group inc. www.pcsgroupco.com
#3, 8-180 Independence plaza
1007 16th street, denver co 80265
1.303.531.4905, 1.303.531.4908

CIVIL ENGINEER

10333 E. DRY CREEK RD. #240
ENGLEWOOD, CO 80112
720-482-9526

Prepared For

ESX MANAGEMENT
7353 SOUTH ALTON WAY
CENTENNIAL, CO 80112

Land Planning

people creating spaces

pcs group inc. www.pcsgroupco.com
#3, 8-180 Independence plaza
1007 16th street, denver co 80265
1.303.531.4905, 1.303.531.4908

Engineering

CVL CONSULTANTS

10333 E. DRY CREEK RD. #240
ENGLEWOOD, CO 80112
720-482-9526

TRAILS AT CROWFOOT
FILING NO. 2
PARKER, COLORADO
FINAL LANDSCAPE PLANS

Drawn by: JWI, BEM, GG
Checked by: PCS STAFF
Submitted Date: 04.18.2017
12.15.2017
3.2.2018
4.13.2018
10.18.2021

Sheet Name
LANDSCAPE COVER SHEET

Sheet Number

L0.0

LANDSCAPE NOTES

SITE PREP

- LANDSCAPE CONTRACTOR TO REFERENCE CIVIL ENGINEERING DRAWINGS REGARDING DRAINAGE AND EROSION CONTROL NOTES, DETAILS AND PROCEDURES.
- ALL WORK SHALL CONFORM TO LOCAL MUNICIPAL CODES. ALL WORK SHALL BE IN ACCORDANCE WITH OSHA CODES AND STANDARDS. NOTHING INDICATED ON THE LANDSCAPE DRAWINGS SHALL RELIEVE THE CONTRACTOR FROM COMPLYING WITH ANY APPROPRIATE SAFETY REGULATIONS.
- ALL UTILITY EASEMENTS SHALL REMAIN UNOBSTRUCTED AND FULLY ACCESSIBLE ALONG THEIR ENTIRE LENGTH FOR USE OF MAINTENANCE EQUIPMENT ENTRY.
- SEE CIVIL ENGINEER'S DRAWINGS FOR GRADING AND DRAINAGE, EROSION CONTROL, PAVING AND SLEEVES, UTILITIES, AND OTHER ENGINEERED DETAILS.
- CONTRACTOR SHALL ENSURE POSITIVE DRAINAGE AWAY FROM ALL STRUCTURES.
- A PRE-CONSTRUCTION MEETING MAY BE REQUIRED BETWEEN THE LANDSCAPE CONTRACTOR, PROPERTY OWNER AND LANDSCAPE ARCHITECT BEFORE START OF CONSTRUCTION.
- CONTRACTOR SHALL MINIMIZE ALL DISTURBANCE TO NON-IMPACTED AREAS.
- SITE MUST BE CLEAN AND FREE OF ALL CONSTRUCTION DEBRIS BEFORE FINAL ACCEPTANCE.
- CONTRACTOR IS RESPONSIBLE FOR SETUP OF BARRICADES, WARNING SIGNAGE, OR OTHER PROTECTIVE DEVICES IF ANY EXCAVATIONS ARE LEFT EXPOSED AFTER ON-SITE WORK HOURS.
- IT IS THE CONTRACTOR'S RESPONSIBILITY TO ACQUIRE ALL NECESSARY PERMITS FOR CONSTRUCTION WORK WITHIN THE LOCAL JURISDICTION. A SEPARATE LANDSCAPE CONSTRUCTION PERMIT IS REQUIRED AND USE AND SALES TAX WILL BE COLLECTED. WATER CONNECTION FEES ARE TO BE PAID PRIOR TO THE METER SETTING. A BACK FLOW PERMIT AND INSPECTION IS REQUIRED PRIOR TO THE METER BEING INSTALLED IN THE VAULT.
- TOPSOIL IS TO BE STRIPPED & STOCKPILED ON-SITE FOR LATER USE.
- CONTRACTOR IS RESPONSIBLE FOR REPLACEMENT OF ANY EXISTING OR NEW SITE IMPROVEMENTS DISTURBED OR DAMAGED DUE TO THEIR OPERATIONS. DAMAGED MATERIALS SHALL BE REPLACED/REPAIRED TO ITS PRIOR CONDITION.
- LOCATE ALL UTILITIES PRIOR TO ANY DIGGING OR LANDSCAPE PLANTING. CONTRACTOR SHALL HAND DIG ALL PLANTING PITS ADJACENT TO UTILITIES. IF UTILITIES ARE DAMAGED, REPAIRS SHALL BE MADE AT THE CONTRACTOR'S EXPENSE.
- PRIOR TO INSTALLATION OF PLANT MATERIALS, AREAS THAT HAVE BEEN COMPACTED OR DISTURBED BY CONSTRUCTION ACTIVITY SHALL BE THOROUGHLY LOOSENEED & AMENDED.
- ALL LANDSCAPE AREAS SHALL RECEIVE SOIL AMENDMENT ROTOTILLED AT A MIN. 8" DEPTH AT A RATE OF 4 CUBIC YARDS PER 1,000 SF.
- CONTRACTOR SHALL SUBMIT SOIL AMENDMENT SPECIFICATIONS FOR APPROVAL PRIOR TO INSTALLATION.
- THE LANDSCAPE CONTRACTOR SHALL BE RESPONSIBLE FOR ENSURING POSITIVE DRAINAGE EXISTS IN ALL LANDSCAPE AREAS. SURFACE DRAINAGE ON LANDSCAPE AREAS SHALL NOT FLOW TOWARD STRUCTURES AND FOUNDATIONS. MAINTAIN SLOPE AWAY FROM FOUNDATIONS PER THE GEOTECH REPORT RECOMMENDATIONS. ALL LANDSCAPE AREAS BETWEEN WALKS AND CURBS SHALL DRAIN FREELY TO THE CURB UNLESS OTHERWISE IDENTIFIED ON THE GRADING PLAN. IN NO CASE SHALL THE GRADE, TURF THATCH, OR OTHER LANDSCAPE MATERIALS DAM WATER AGAINST WALKS. MINIMUM SLOPES ON LANDSCAPE AREAS SHALL BE 2%, MAXIMUM SLOPE SHALL BE 25% UNLESS SPECIFICALLY IDENTIFIED ON THE PLANS OR APPROVED BY LANDSCAPE ARCHITECT.

TURF, PLANT & GROUND COVER MATERIAL

- ANY SUBSTITUTION OR ALTERATION OF PLANT OR LANDSCAPE MATERIALS IN LOCATION, SPECIES, TYPE, ETC. SHALL BE ALLOWED ONLY WITH APPROVAL OF THE LANDSCAPE ARCHITECT. OVERALL PLANT QUANTITY AND QUALITY TO BE CONSISTENT WITH APPROVED PLANS.
- ALL PLANT MATERIALS SHALL BE IN ACCORDANCE WITH AAN SPECIFICATIONS FOR NUMBER ONE GRADE.
- PROPOSED TREE LOCATIONS SHALL HAVE A MINIMUM SEPARATION OF 4' BETWEEN WATER OR SEWER SERVICE LINES AND A MINIMUM SEPARATION OF 10' BETWEEN WATER OR SEWER MAIN LINES. PROPOSED TREE LOCATIONS SHALL HAVE A MINIMUM SEPARATION OF 4' BETWEEN GAS LINES.
- ALL PROPOSED IRRIGATED TURF AREAS SHALL BE SODDED WITH THE BLEND SPECIFIED IN THESE PLANS. SOD SHALL BE LAID ON A FIRM BED WITH TIGHT JOINTS AND WITHOUT VOIDS.
- TREE WRAP TO BE APPLIED IN LATE FALL AFTER INSTALLATION, AND REMOVED THE FOLLOWING SPRING. REMOVE ANY STRING OR WIRE AROUND TREE TRUNKS AT TIME OF INSTALLATION.
- CONTRACTOR SHALL REPORT ANY DISCREPANCY FOUND IN THE FIELD VERSUS THE LANDSCAPE DRAWINGS IMMEDIATELY TO THE LANDSCAPE ARCHITECT, OWNER'S REPRESENTATIVE, AND/OR THE CITY/COUNTY PRIOR TO ANY CONSTRUCTION OR DEMOLITION ACTIVITY. FAILURE TO MAKE SUCH CONFLICTS KNOWN WILL RESULT IN THE CONTRACTOR'S LIABILITY TO RELOCATE AND REPAIR.
- MAINTAIN A MINIMUM THREE FOOT CLEARANCE AROUND FIRE HYDRANTS, FIRE DEPARTMENT CONNECTIONS OR OTHER FIRE SERVICE EQUIPMENT. NO TREES OR SHRUBS WILL BE ALLOWED WITHIN THIS AREA.
- TREES SHALL NOT BE LOCATED IN DRAINAGE SWALES, AREAS OR UTILITY EASEMENTS. CONTACT LANDSCAPE ARCHITECT FOR RELOCATION OF PLANTS IN QUESTIONABLE AREAS PRIOR TO INSTALLATION.
- THE CENTER OF EVERGREEN TREES SHALL NOT BE PLACED CLOSER THAN 8' AND THE CENTER OF ORNAMENTAL TREES CLOSER THAN 6' FROM A SIDEWALK, STREET OR DRIVE LANE. EVERGREEN TREES SHALL NOT BE LOCATED ANY CLOSER THAN 15' FROM IRRIGATION ROTOR HEADS. NOTIFY

FINE GRADING NOTES

- SLOPES NOT TO EXCEED 4:1 MAX. - 1% MIN.
- SATISFACTORY SOILS: ASTM D 2487 SOIL CLASSIFICATION GROUPS GW, GP, GM, SW, SP, AND SM, OR A COMBINATION OF THESE GROUP SYMBOLS; FREE OF ROCK OR GRAVEL LARGER THAN 3 INCHES (75 MM) IN ANY DIMENSION, DEBRIS, WASTE, FROZEN MATERIALS, VEGETATION, AND OTHER DELETERIOUS MATTER.
- STRIP TOPSOIL TO WHATEVER DEPTHS ARE ENCOUNTERED IN A MANNER TO PREVENT INTERMINGLING WITH UNDERLYING SUBSOIL OR OTHER WASTE MATERIALS.
- STRIP EXISTING SURFACES OF UNSUITABLE TOPSOIL, INCLUDING TRASH, DEBRIS, WEEDS, ROOTS, AND OTHER WASTE MATERIALS.
- STOCKPILE TOPSOIL MATERIALS ON-SITE WITHOUT INTERMINGLING WITH SUBSOIL.
- REMOVE EXISTING VEGETATION, DEBRIS, UNSATISFACTORY SOIL MATERIALS, OBSTRUCTIONS, AND DELETERIOUS MATERIALS FROM GROUND SURFACE BEFORE PLACING FILLS.
- FLOW, SCARIFY, BENCH, OR BREAK UP SLOPED SURFACES STEEPER THAN 1 VERTICAL TO 4 HORIZONTAL SO FILL MATERIAL WILL BOND WITH EXISTING MATERIAL.
- PLACE AND COMPACT FILL MATERIAL IN LAYERS TO REQUIRED CROSS-SECTIONS, ELEVATIONS AND GRADES WITH SATISFACTORY SOIL MATERIAL. UNIFORMLY GRADE AREAS TO A SMOOTH SURFACE, FREE FROM IRREGULAR SURFACE CHANGES. COMPLY WITH COMPACTION REQUIREMENTS AND GRADE TO CROSS SECTIONS, LINES, AND ELEVATIONS INDICATED.

SEEDING ESTABLISHMENT NOTES:

- SEED SHALL BE LABELED IN ACCORDANCE WITH THE U.S. DEPARTMENT OF AGRICULTURE, RULES AND REGULATIONS AND FEDERAL SEED ACT. SEED SHALL BE EQUAL IN QUALITY TO THE STANDARDS FOR "CERTIFIED SEED" AND SHALL BE FURNISHED IN SEALED, UNOPENED, STANDARD CONTAINERS. SEED SHALL BE FRESH, CLEAN, PURE LIVE SEED WITH THE VARIETIES MIXED IN PROPORTIONS BY WEIGHT SHOWN AND MEETING THE MINIMUM PERCENTAGES OF PURITY AND GERMINATION SPECIFIED.
- SEED SHALL BE APPLIED AT A RATE SHOWN BY MIX. SEED SHALL PASS GOVERNMENT TEST OF GERMINATION OF EIGHTY PERCENT (80%) AND FOR PURITY OF NINETY PERCENT (90%). THE PURE LIVE SEED SHALL NOT BE LESS THAN SIXTY SEVEN ON ONE-HALF PERCENT (67.5%) FOR ANY ONE VARIETY, WITH THE AVERAGE OF THE MIXTURE, NO LESS THAN SEVENTY TWO PERCENT (72%). ALL SEED SHALL BE FREE OF POA ANNUA AND ALL NOXIOUS OBJECTIONABLE WEEDS WITH A MAXIMUM CROP OF ONE-TENTH PERCENT (0.1%) AND MAXIMUM WEED OF ONE TENTH PERCENT (0.1%). IF SEED AVAILABLE ON THE MARKET DOES NOT MEET THE MINIMUM PURITY AND GERMINATION PERCENTAGES SPECIFIED, THE CONTRACTOR MUST COMPENSATE BY FURNISHING SUFFICIENT ADDITIONAL SEED TO EQUAL THE SPECIFIED PRODUCT.
- SPREAD ORGANIC SOIL AMENDMENT MATERIALS, AT A RATE OF 3 C.Y. PER 1000 SQUARE FEET, EVENLY OVER ENTIRE DISTURBED AREA AND THOROUGHLY INCORPORATE, BY MIXING, ROTOTILLING OR FINELY DISKING (MAX. 1" SIZE), TO A DEPTH OF SIX INCHES. ALL STONES, STICKS AND DEBRIS BROUGHT TO THE SURFACE SHALL BE REMOVED FROM THE SITE PROPERLY DISPOSED OF BY THE CONTRACTOR, AT NO ADDITIONAL COST TO THE OWNER. ALL SEED AREAS WILL THEN BE RAKED AND ROLLED TO THE DESIRED FINISHED GRADES WITH GENTLY SLOPING SURFACES TO ADEQUATELY DRAIN ALL SURFACE WATER RUNOFF. THE FINISHED SURFACE SHALL BE EVEN AND UNIFORM AND NO DIRT CLODS LARGER THAN ONE INCH (1") IN DIAMETER SHALL APPEAR ON THE SURFACE. THE SOIL SURFACE SHALL BE SMOOTH, LOOSE AND OF FINE TEXTURE, AND BE FLUSH WITH ALL PAVING EDGES.
- CONTRACTOR SHALL USE APPROPRIATE MECHANICAL POWER (BRILLION SEEDER OR EQUAL) TO DRILL THE SEED INTO THE SEEDBED WHEREVER POSSIBLE. SEED SHALL BE SOWN TO A DEPTH OF ONE-HALF INCH (½"). DRILLING SHALL BE DONE IN 2 SEPARATE APPLICATIONS CROSSING THE AREA AT RIGHT ANGLES TO ONE ANOTHER TO GUARANTEE PROPER COVERAGE. ON SLOPING LAND, SEEDING OPERATIONS SHALL FOLLOW THE GENERAL CONTOUR. AREAS TOO SMALL TO DRILL SEED MAY BE BROADCAST BY HAND AND APPLICATION RATES SHALL BE DOUBLED. SEEDING OF ANY KIND WILL NOT BE PERMITTED WHEN WIND VELOCITY IS SUCH AS TO PREVENT UNIFORM SEED DISTRIBUTION. NO APPLICATION SHALL TAKE PLACE WITH THE PRESENCE OF FREE SURFACE WATER OR WHEN GROUND IS FROZEN OR CANNOT BE TILLED. ADDITIONAL TOPICAL OVER SEEDING MAY BE APPLIED TO PREVIOUSLY SEEDED AREAS IN ORDER TO ACHIEVE ADEQUATE GROUND COVER AND EROSION RESISTANCE.
- SEEDED AREAS MAY REQUIRE TEMPORARY ABOVE GROUND SPRAY IRRIGATION UNTIL ESTABLISHMENT. IRRIGATION SHALL BE REMOVED UPON ACCEPTANCE BY THE CITY. WHERE STEEP SLOPES OCCUR, LANDSCAPE CONTRACTOR MAY REQUIRED VARIOUS METHODS OF TEMPORARY

- LANDSCAPE ARCHITECT IF TREE LOCATIONS CONFLICT WITH THESE STANDARDS FOR FURTHER DIRECTION.
- ALL EVERGREEN TREES SHALL BE FULLY BRANCHED TO THE GROUND AND SHALL NOT EXHIBIT SIGNS OF ACCELERATED GROWTH AS DETERMINED BY LANDSCAPE ARCHITECT.
- NO PLANT MATERIAL SHALL BE PLANTED WITHIN 10' OF ANY EXISTING OR PROPOSED ELECTRICAL SWITCHGEARS, TRANSFORMERS OR OTHER ELECTRICAL UTILITY EQUIPMENT. PLANT MATERIAL MAY BE FIELD ADJUSTED TO PROVIDE THE 10' CLEAR SPACE AND ACCESSIBILITY REQUIRED BY THE UTILITY'S OWNER/OPERATOR.
- ANY TREES INSTALLED ABOVE RETAINING WALLS UTILIZING GEO-GRID MUST BE DUG TO PROTECT GEO-GRID. IF GEO-GRID MUST BE CUT TO INSTALL TREES, APPROVAL MUST BE GIVEN BY LANDSCAPE ARCHITECT PRIOR TO DOING WORK.
- PROPOSED PLANT SPECIES MAY BE SUBJECT TO CHANGE PENDING COMMERCIAL AVAILABILITY AT TIME OF CONSTRUCTION. ALL SPECIES SUBSTITUTIONS SHALL BE APPROVED BY THE LANDSCAPE ARCHITECT PRIOR TO INSTALLATION. OVERALL PLANT QUANTITIES & SIZES SHALL REMAIN AS INDICATED ON THE PLANT SCHEDULE. CONTRACTOR SHALL VERIFY THAT ANY SUBSTITUTED PLANT SPECIES ARE ACCEPTABLE TO THE LOCAL MUNICIPALITY OR GOVERNING JURISDICTIONS.
- IF SPECIFIED PLANTS ARE NOT COMMERCIALY AVAILABLE AT TIME OF CONSTRUCTION/INSTALLATION, CONTRACTOR SHALL COORDINATE WITH LANDSCAPE ARCHITECT FOR A SUBSTITUTION.

PLANTING BEDS

- ALL PROPOSED PLANTING BEDS SHALL CONTAIN THE SPECIFIED MULCH. ROCK MULCH BEDS SHALL INCLUDE MIRAFI WEED BARRIER FABRIC OR EQUAL SECURED WITH PINS. OVERLAP FABRIC MIN. 24" AT EDGES. NO FABRIC IS REQUIRED IN WOOD MULCH AREAS.
- ROCK MULCH AROUND VEGETATION SHALL CONTAIN 2" DIA. ROUND RIVER COBBLE, GREY & TAN COLOR, 3" DEPTH.
- WOOD MULCH SHALL BE 'GORILLA HAIR' OR EQUAL SHREDDED CEDAR MULCH, 4" DEPTH.
- EDGING BETWEEN TURF AND PLANTING BEDS SHALL BE 12-GAUGE, GREEN COLOR, ROLLED-TOP, STEEL EDGING OR EQUIVALENT. ANY NO EDGING IS REQUIRED AGAINST HARDSCAPE/WALK AREAS OR AT TREE RING EDGES. EDGING SHALL BE INSTALLED TO AVOID IMPEDING DRAINAGE. RE: DETAILS FOR INSTALLATION IN LOW DRAINAGE AREAS.
- FOR TREES NOT IN PLANTING BEDS, ALLOW A 6'-0" DIAMETER BED (TREE RING) WITHOUT SOD AROUND ROOT COLLAR. APPLY SPECIFIED WOOD MULCH & DEPTH AROUND COLLAR FOLLOWING SOD INSTALLATION. NO FABRIC OR STEEL EDGER IS NECESSARY WITHIN TREE RINGS IN NATIVE AREAS. TREES IN PLANTING BEDS SHALL NOT HAVE WEED BARRIER INSTALLED WITHIN 6" OF THEIR TRUNKS.

HARDSCAPE

- REFER TO SITE PLANS & DETAILS FOR SPECIALTY CONCRETE LOCATIONS WHERE APPLICABLE.

IRRIGATION

- PERMANENT UNDERGROUND IRRIGATION IS REQUIRED IN ALL LANDSCAPE AREAS, 2) TURF AREAS ARE ZONED SEPARATELY FROM BED AREAS, 3) CONTROLLER TO INCLUDE RAIN SHUT-OFF, 4) HYDROZONES WILL BE ON SEPARATE IRRIGATION ZONES ACCORDING TO WATER DEMAND.
- REFER TO IRRIGATION PLANS FOR LIMITS AND TYPES OF IRRIGATION DESIGNED FOR THE LANDSCAPE. IN NO CASE SHALL IRRIGATION BE EMITTED WITHIN THE MINIMUM STANDARDS FROM BUILDING OR WALL FOUNDATIONS AS STIPULATED IN THE GEOTECHNICAL REPORT. ALL IRRIGATIONS DISTRIBUTION LINES, HEADS AND EMITTERS SHALL BE KEPT OUTSIDE THE MINIMUM DISTANCE AWAY FROM ALL BUILDING AND WALL FOUNDATIONS AS STIPULATED IN THE GEOTECH REPORT.
- TURF & IRRIGATED NATIVE AREAS (WHERE APPLICABLE) SHALL BE IRRIGATED BY AUTOMATIC POP-UP SPRAY SYSTEM. SHRUBS & PLANTING BEDS SHALL BE IRRIGATED WITH DRIP/BUBBLER SYSTEM.
- ALL TREES & SHRUBS OUTSIDE OF BEDS WITHIN NATIVE AREAS SHALL BE DRIP IRRIGATED. ALL IRRIGATION SHALL BE AN AUTOMATIC UNDERGROUND SYSTEM
- REFER TO IRRIGATION PLANS FOR DETAILED INFORMATION.

MAINTENANCE

- CONTRACTOR IS TO MAINTAIN ALL PLANTINGS AND ASSOCIATED IRRIGATION SYSTEM INSTALLED UNDER THIS CONTRACT UNTIL FINAL ACCEPTANCE BY THE CITY AND TURNOVER TO OWNER. THIS MAINTENANCE SHALL INCLUDE PROPER WATERING OF ALL PLANTS, AND MOWING OF TURF/SEED AREAS IF NECESSARY.
- SITE MUST BE CLEAN AND FREE OF ALL CONSTRUCTION DEBRIS BEFORE FINAL ACCEPTANCE.
- ALL PLANT MATERIAL WILL BE COVERED BY A WARRANTY PERIOD. THE CONTRACTOR SHALL REPLACE DEAD, UNHEALTHY, OR OTHERWISE UNSATISFACTORY MATERIAL THROUGHOUT THIS PERIOD. THE WARRANTY SHALL BEGIN UPON FINAL ACCEPTANCE OF THE JOB.
- LANDSCAPING SHALL BE PLANTED AND MAINTAINED IN A LIVING CONDITION BY THE OWNER OR ASSIGNS OR OWNERS ASSOCIATION. TREES AND SHRUBS MUST HAVE A 100% ONGOING SURVIVAL RATE. ANY DEAD OR DAMAGED PLANT MATERIAL (AS DETERMINED BY THE LOCAL MUNICIPALITY) SHALL BE REPLACED. NON-LIVING GROUND COVERS, SUCH AS ROCK OR MULCH, MUST BE 100% INTACT AFTER ONE YEAR AND 100% INTACT THEREAFTER.
- LANDSCAPE AREAS WITHIN THE PROPERTY AND WITHIN THE ADJACENT RIGHT OF WAY SHALL BE MAINTAINED BY THE PROPERTY OWNER.

- PROVIDE A SMOOTH TRANSITION BETWEEN ADJACENT EXISTING GRADES AND NEW GRADES.
- CUT OUT SOFT SPOTS, FILL LOW SPOTS AND TRIM HIGH SPOTS TO COMPLY WITH REQUIRED SURFACE TOLERANCES.
- SITE GRADING: SLOPE GRADES TO DIRECT WATER AWAY FROM ADJACENT STRUCTURES AND TO PREVENT PONDING. FINISH SUBGRADES TO REQUIRED ELEVATIONS WITHIN THE FOLLOWING TOLERANCES:
 - AT LOCATIONS DESIGNATED FOR LAWN OR UNPAVED AREAS: PLUS OR MINUS 1 INCH (25 MM).
 - AT DESIGNATED PAVEMENT LOCATIONS: PLUS OR MINUS 1/2 INCH (13 MM).
- GRADING ON SLOPES: INSTALL EROSION STABILIZATION FABRIC PER MANUFACTURERS RECOMMENDATIONS ON SLOPED SURFACES EQUAL TO OR GREATER THAN A RATIO OF 1) VERTICAL FOOT TO 3) HORIZONTAL FEET.
- CONTRACTOR WILL ENGAGE A QUALIFIED INDEPENDENT GEOTECHNICAL ENGINEERING TESTING AGENCY TO PERFORM FIELD QUALITY-CONTROL TESTING.
- PROTECT NEWLY GRADED AREAS FROM TRAFFIC, FREEZING, AND EROSION. KEEP FREE OF TRASH AND DEBRIS.
- REPAIR AND REESTABLISH GRADES TO SPECIFIED TOLERANCES WHERE COMPLETED OR PARTIALLY COMPLETED SURFACES BECOME ERODED, RUTTED, SETTLED, OR WHERE THEY LOSE COMPACTION DUE TO SUBSEQUENT CONSTRUCTION OPERATIONS OR WEATHER CONDITIONS.
- WHERE SETTLING OCCURS BEFORE PROJECT CORRECTION PERIOD ELAPSES, REMOVE FINISHED SURFACE GRADING, BACKFILL WITH ADDITIONAL SOIL MATERIAL, COMPACT, AND RECONSTRUCT SURFACE GRADING.
- TRANSPORT SURPLUS SATISFACTORY SOIL TO DESIGNATED STORAGE AREAS ON OWNER'S PROPERTY. STOCKPILE OR SPREAD SOIL AS DIRECTED BY OWNER.

IRRIGATION TO ACHIEVE SEED ESTABLISHMENT. SUCH METHODS SHALL BE IN COMPLIANCE WITH THE PROJECT'S EROSION CONTROL METHODS, BMP'S AND ALL CITY CODES AND REQUIREMENTS.

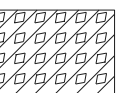

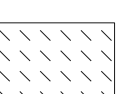
- MULCH WILL BE HYDRO MULCH. HYDRO MULCH SHALL BE CONWED 200 AND TACKIFIER OR APPROVED SUBSTITUTE MEETING THE FOLLOWING REQUIREMENTS:
 - VIRGIN WOOD CELLULOSE FIBER: MAY NOT CONTAIN ANY SUBSTANCE OR FIBER THAT MAY INHIBIT GERMINATION OF GROWTH OF GRASS SEEDS AND PLANTS.
 - DYE TO APPROPRIATE COLOR TO ALLOW PROPER METERING OF APPLICATION.
 - FIBERS MUST HAVE ABILITY TO BECOME EVENLY DISPERSED AND SUSPENDED WHEN AGITATED IN WATER.
 - WHEN SPRAYED UNIFORMLY ON SURFACE OF SOIL, FIBERS SHALL FORM BLOTTER - LIKE GROUND COVER THAT READILY ABSORBS WATER, AND ALLOWS INFILTRATION TO UNDERLYING SOIL.
 - WEIGHT SPECIFICATIONS SHALL REFER ONLY TO AIR DRY WEIGHT OF FIBERS WITH A STANDARD MOISTURE CONTENT OF TEN PERCENT (10%).
 - MULCH MATERIAL SHALL BE SUPPLIED IN CONTAINERS NOT WEIGHING OVER ONE HUNDRED (100) LBS AND SHOWING AIR DRY WEIGHT OF FIBERS.
 - ORGANIC TACKIFIER MAY BE SUPPLIED WITH HYDROMULCH FIBERS OR BE ADDED AT A LATER TIME.

WEED MANAGEMENT

BEFORE SEEDING, REMOVE EXISTING WEEDS BY PULLING, TILLING UNDER AND/OR, APPLYING A GLYPHOSATE HERBICIDE SUCH AS ROUNDUP®[®], OR BY A COMBINATION OF THESE METHODS. FOR ADDITIONAL WEED CONTROL AFTER SITE PREPARATION, A SOIL FUNGICIDE MAY BE USED, OR THE AREA MAY BE IRRIGATED TO ENCOURAGE WEED GROWTH AND THEN SPRAYED WITH A GENERAL HERBICIDE. IN VERY WEEDY AREAS, THE FOLLOWING METHOD IS SUGGESTED: (1) TILL SOIL OR SPRAY VEGETATION WITH ROUNDUP®[®]. WHEN USING AN HERBICIDE, ALLOW VEGETATION TO DIE, THEN RAKE OUT THE DEAD DEBRIS. IF PERENNIAL WEEDS SUCH AS BINDWEED ARE PRESENT, USING AN HERBICIDE IS MORE EFFECTIVE THAN TILLING. (2) IRRIGATE TO ENCOURAGE GERMINATION OF WEED SEEDS NEAR THE SURFACE, MOST SEEDS WILL GERMINATE WITHIN TWO WEEKS IF CONSISTENT MOISTURE IS AVAILABLE. DO NOT TILL THE SOIL AGAIN BECAUSE THIS WILL BRING EVEN MORE WEED SEEDS UP TO THE SURFACE. (3) SPRAY ANY NEW GROWTH WITH ROUNDUP®[®]. (4) AFTER RAKING OUT DEAD VEGETATION, ALLOW SOIL TO RECOVER FOR 4 WEEKS BEFORE PLANTING SEE. A RECOVERY PERIOD OF THIS DURATION IS ADVISABLE BECAUSE EXTENSIVE USE OF GLYPHOSATE HERBICIDES MAY CAUSE A DELAY IN GERMINATION AND IN THE VIGOROUS GROWTH OF SEEDLINGS. ONCE THE SEEDS HAVE GERMINATED, FURTHER WEED CONTROL IS USUALLY NECESSARY. IF PRACTICAL, PULL ALL WEEDS AS SOON AS THEY CAN BE IDENTIFIED. OTHER SUCCESSFUL TECHNIQUES ARE SPOT SPRAYING WITH A GENERAL HERBICIDE OR SELECTIVELY CUTTING WEEDS WITH A STRING TRIMMER. BE SURE TO REMOVE WEEDS BEFORE THEY RESEED. ONCE ESTABLISHED, NATIVE AREAS MAY BE MOWED TWICE A SEASON OR AS REQUIRED TO MINIMIZE WEED GROWTH. FURTHER MOWING ADJACENT TO ROADWAYS AND PARK AREAS MAY BE REQUIRED AS SEASONAL DROUGHT AND FIRE CONDITIONS MAY DICTATE.

OPEN SPACE LANDSCAPE

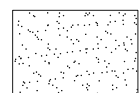

ORNAMENTAL TREES	QTY	BOTANICAL NAME	COMMON NAME	CONT	CAL / SIZE	HT X SPD	IRR_ZONE
WKH	4	CRATAEGUS VIRIDIS 'WINTER KING'	'WINTER KING' HAWTHORN	B & B	2" CAL	30' X 30'	LOW
SC2	4	MALUS X 'SPRING SNOW'	SPRING SNOW CRAB APPLE	B & B	2" CAL	30' X 20'	LOW
DECIDUOUS SHRUBS	QTY	BOTANICAL NAME	COMMON NAME	CONT	HT X SPD	IRR_ZONE	LIGHT REQ.
CD	6	CARYOPTERIS X CLANDONENSIS 'DARK KNIGHT'	BLUE MIST SHRUB	5 GAL	3' X 4'	MODERATE	FULL SUN
SP2	5	SALIX PURPUREA 'NANA'	DWARF ARCTIC WILLOW	5 GAL	8' X 8'	MODERATE	FULL SUN
VL	6	VIBURNUM LANTANA 'MOHICAN'	MOHICAN WAYFARING TREE	5 GAL	10' X 10'	LOW	F/P SUN
EVERGREEN SHRUBS	QTY	BOTANICAL NAME	COMMON NAME	CONT	HT X SPD	IRR_ZONE	LIGHT REQ.
CSM	3	CYTISUS SCOPARIUS 'MOONLIGHT'	MOONLIGHT BROOM	5 GAL	3' X 5'	LOW	FULL SUN

GROUND COVERS	QTY	BOTANICAL NAME	COMMON NAME	CONT
	993 SF	ROCK MULCH- GREY, 1-1/2" MTN. GRANITE 3" DEPTH, RE: LDSCP NOTES	ROCK MULCH- GREY, 1-1/2"	MULCH
	13,368 SF	SEED MIX 1 TOWN OF PARKER - SEED MIX 1, RE: LANDSCAPE NOTES	SEED MIX 1	SEED
	6,688 SF	SEED MIX 2 TOWN OF PARKER - SEED MIX 2, RE: LANDSCAPE NOTES	SEED MIX 2	SEED

TEMPORARILY IRRIGATED NATIVE SEED MIX FOR AREAS DISTURBED BY GRADING RE: LANDSCAPE NOTES

STREETSCAPE LANDSCAPE

DECIDUOUS TREES	QTY	BOTANICAL NAME	COMMON NAME	ROOT	CALIPER/HT.	HEIGHT	WIDTH	IR
AE	15	Acer platanoides 'Emerald Queen'	Emerald Queen Maple	B & B	2.5" Cal	45' X 35'		M
AS	14	Acer platanoides 'Schwedleri'	Schwedler Maple	B & B	2.5" Cal	50' X 30'		M
BR	6	Betula nigra	River Birch	B & B	2.5" Cal	50' X 50'		M
CS	4	Catalpa speciosa	Northern Catalpa	B & B	2.5" Cal	50' X 45'		M
HAC	6	Celtis occidentalis	Common Hackberry	B & B	2.5" Cal	50' X 30'		Lc
GI	4	Gleditsia triacanthos 'Imperial'	Imperial Honeylocust	B & B	2.5" Cal	45' X 45'		Lc
GK	6	Gymnocladus dioica	Kentucky Coffee Tree	B & B	2.5" Cal	45' X 50'		Lc
OV	6	Ostrya virginiana	American Hornbeam	B & B	2.5" Cal	30' X 30'		M
QC	15	Quercus macdanielli 'Clemens' TM	Heritage Oak	B & B	2.5" Cal	70' X 45'		M
QM	11	Quercus macrocarpa	Burr Oak	B & B	2.5" Cal	70' X 70'		Vc
QM2	8	Quercus muhlenbergii	Chinkapin Oak	B & B	2.5" Cal	50' X 50'		Lc
QR	13	Quercus rubra	Red Oak	B & B	2.5" Cal	50' X 45'		Lc
TG2	13	Tilia cordata 'Glenleven'	Glenleven Littleleaf Linden	B & B	2.5" Cal	60' X 50'		Lc
UP	17	Ulmus americana 'Princeton'	American Elm	B & B	2.5" Cal	50' X 40'		M

GROUND COVERS	QTY	BOTANICAL NAME	COMMON NAME	CONT
	53,987 sf	ENVIROTURF RE: LANDSCAPE NOTES	ENVIROTURF	sod
	1,035 sf	ROCK MULCH GRAY-1-1/2" MTN GRANITE 3" DEPTH, RE: LDSCP NOTES	ROCK MULCH GRAY-1-1/2" MTN GRANITE	mulch

SOD MIXES

ENVIROTURF SOD; ENVIROTURF BY TURF MASTERS, LLC.

SEED MIXES

TOWN OF PARKER SEED MIX 1

COMMON NAME	PERCENTAGE
CANADA WILDRYE	20%
CRESTED WHEATGRASS	15%
SLENDER WHEATGRASS	15%
ANNUAL RYEGRASS	10%
SHEEP FESCUE	10%
BIG BLUESTEM	10%
SIDEOATS GRAMA	10%
CANADA BLUEGRASS	5%
BLUE GRAMA	5%

SEEDING RATE
DRILLED: 25 LBS/AC.
BROADCAST: 50LBS/AC.

SEED MIX 2

COMMON NAME	PERCENTAGE
SLENDER WHEATGRASS	22%
SODAR STREAMBANK WHEATGRASS	18%
ARIZONA FESCUE	13%
BLUE GRAMA	13%
BUFFALO GRASS	12%
BARLEY OR OATS	12%
SPIKE MUHLY	5%
INDIAN RICEGRASS	5%

SEEDING RATE
DRILLED: 25 LBS/AC.
BROADCAST: 50LBS/AC.

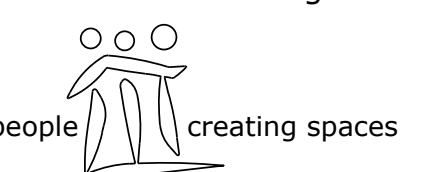
NOTES:

- DISTURBED AREAS TO BE RE-VEGETATED PER THE GRADING AND EROSION CONTROL PLANS.
- PER TREE CONSERVATION PLAN, ALL MITGATED SHRUBS FROM REMOVAL OF EXISTING SHRUB MASSES SHALL BE PLANTED WITHIN THE PROPOSED LANDSCAPE.
- LANDSCAPE MATERIAL AND TREES IN TREE LAWNS ADJACENT TO LOTS ARE RESPONSIBILITY OF HOME BUILDER. STREET TREE LOCATIONS ARE NOT FINAL AND MAY CHANGE BASED UPON DRIVEWAY LOCATION.
- NO FENCES OR STRUCTURES WILL BE ALLOWED WITHIN SIGHT TRIANGLES.
- SHRUBS & PERENNIALS WITHIN SIGHT TRIANGLES WILL BE NO HIGHER THAN 2'.
- TEMPORARY IRRIGATION FOR ESTABLISHMENT OF NATIVE VEGETATION MUST BE INSTALLED ABOVE GROUND, AND REMOVED IMMEDIATELY AFTER ESTABLISHMENT IS COMPLETE.

Prepared For

ESX MANAGEMENT
7353 SOUTH ALTON WAY
CENTENNIAL, CO 80112

Land Planning



pcs group inc. www.pcsgroupco.com
#3, 8-180 Independence plaza
1007 16th street, denver, co 80265
1.303.531.4905 | 1.303.531.4908

Engineering



10333 E. DRY CREEK RD. #240
ENGLEWOOD, CO 80112
720-482-9526

TRAILS AT CROWFOOT
FILING NO. 2
PARKER, COLORADO

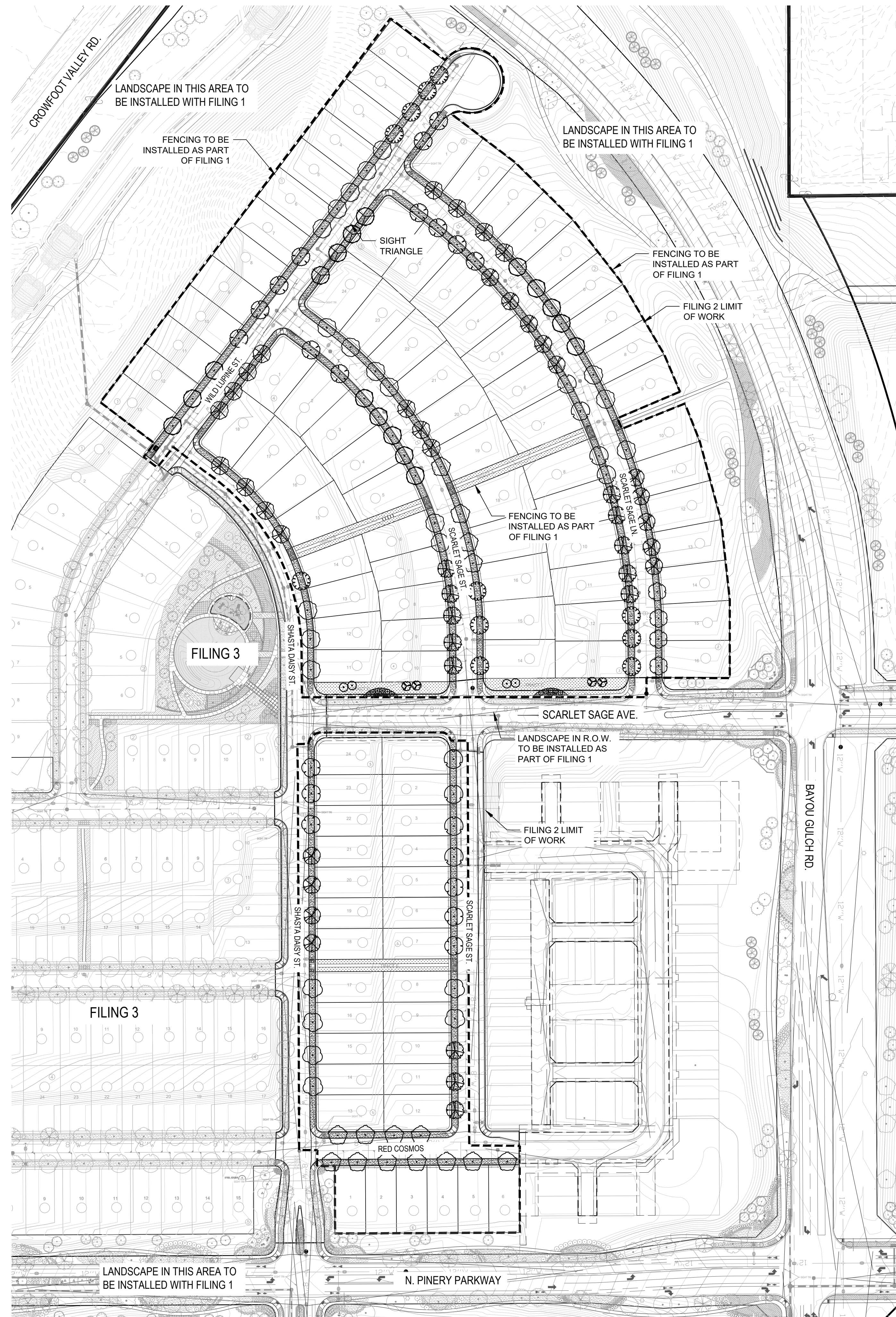
FINAL LANDSCAPE PLANS

Drawn by: JWI, BEM, GG
Checked by: PCS STAFF
Submittal Date: 04-18-2017
12-15-2017
3-2-2018
4-13-2018
10-18-2021

Sheet Name
LANDSCAPE NOTES &
PLANT SCHEDULE

Sheet Number

L0.1



OPEN SPACE

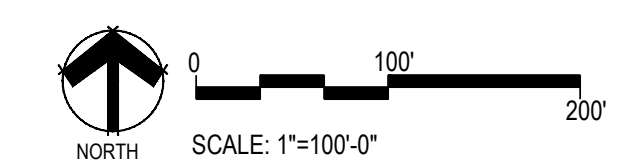
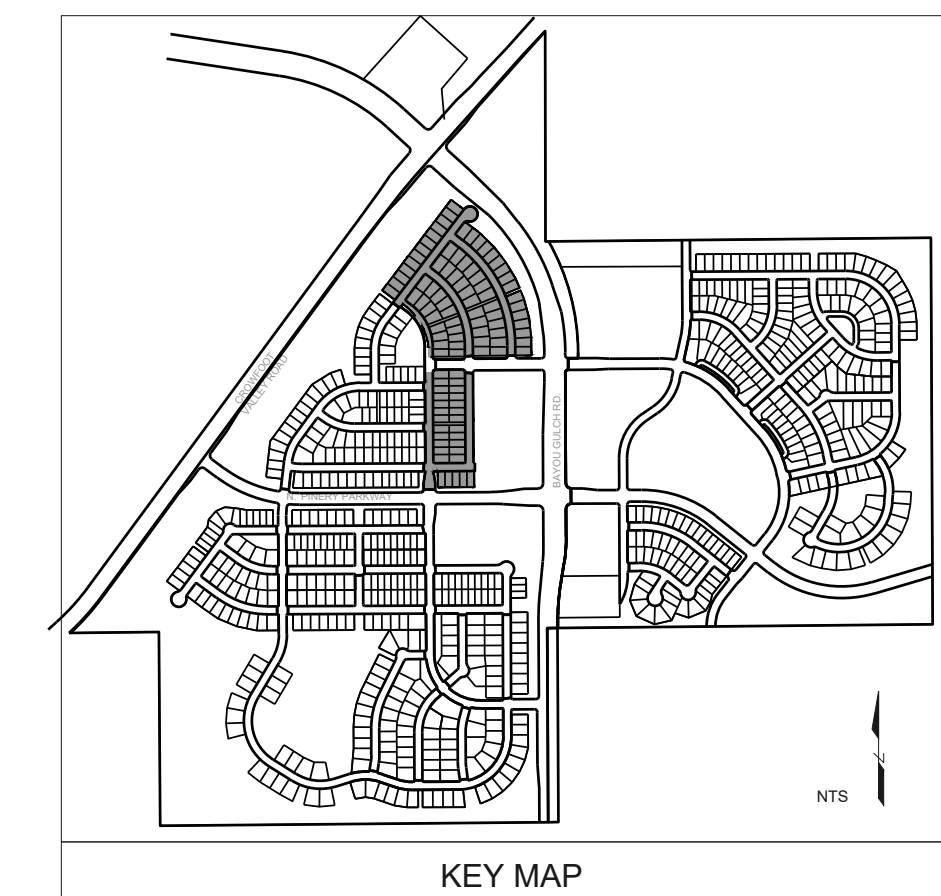
ORNAMENTAL TREES	COMMON NAME
WKH	WINTER KING HAWTHORN
SC2	SPRING SNOW CRAB APPLE
DECIDUOUS SHRUBS	COMMON NAME
CD	BLUE MIST SHRUB
SP2	DWARF ARCTIC WILLOW
VL	MOHICAN WAYFARING TREE
EVERGREEN SHRUBS	COMMON NAME
CSM	MOONLIGHT BROOM
GROUND COVERS	COMMON NAME
	ROCK MULCH GREY, 1-1/2" MTN GRANITE
	SEED MIX 1
	SEED MIX 2
	TEMPORARILY IRRIGATED NATIVE SEED MIX FOR AREAS DISTURBED BY GRADING RE: LANDSCAPE NOTES

STREETSCAPE

DECIDUOUS TREES	COMMON NAME
AE	Emerald Queen Maple
AS	Schwedler Maple
BR	River Birch
CS	Northern Catalpa
HAC	Common Hackberry
GI	Imperial Honeylocust
GK	Kentucky Coffee Tree
OV	American Hornbeam
QC	Heritage Oak
QM	Burr Oak
QM2	Chinkapin Oak
QR	Red Oak
TG2	Glenleven Littleleaf Linden
UP	American Elm
GROUND COVERS	COMMON NAME
	ENVIROTURF RE: LANDSCAPE NOTES
	ROCK MULCH GRAY-1-1/2" MTN GRANITE

NOTES:

- LANDSCAPE MATERIAL AND TREES IN TREE LAWNS ADJACENT TO LOTS ARE RESPONSIBILITY OF HOME BUILDER. STREET TREE LOCATIONS ARE NOT FINAL AND MAY CHANGE BASED UPON DRIVEWAY LOCATION. NO FENCES OR STRUCTURES WILL BE ALLOWED WITHIN SIGHT TRIANGLES.
- SHRUBS & PERENNIALS WITHIN SIGHT TRIANGLES WILL BE NO HIGHER THAN 2'.
- MAILBOX CLUSTER LOCATIONS ARE CONCEPTUAL ONLY. FINAL LOCATIONS TO BE DETERMINED BY POSTMASTER.

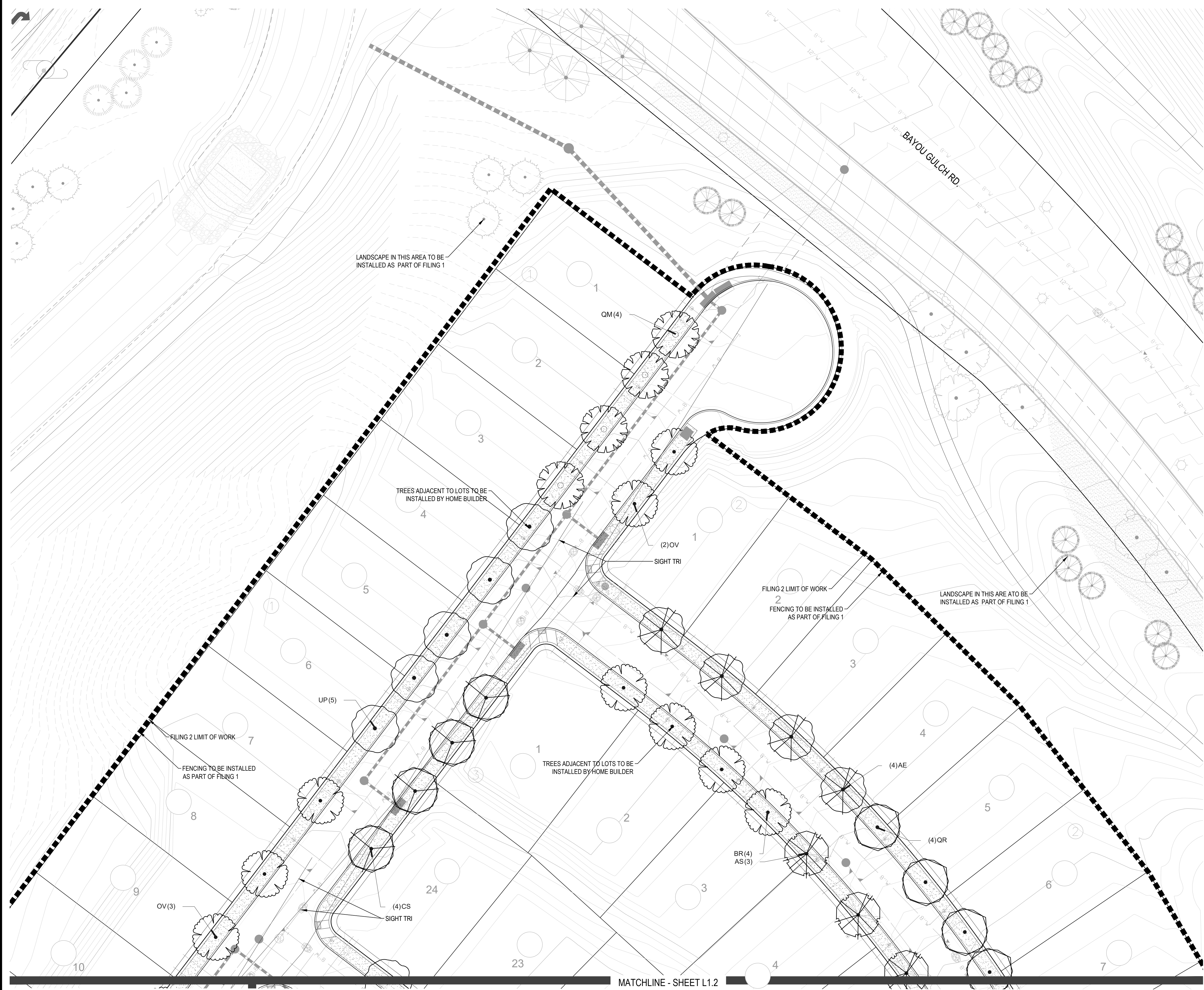


TRAILS AT CROWFOOT
FILING NO. 2
PARKER, COLORADO

FINAL LANDSCAPE PLANS

Drawn by:	JWI, BEM, GG
Checked by:	PCS STAFF
Submittal Date:	04.18.2017
	12.15.2017
Know what's below. Call before you dig.	3.2.2018
	4.13.2018
	10.18.2021

Y:\HESSE RANCH\LANDSCAPE ARCHITECTURE\CURRENT DWGS\HESSE-LODSCP PLANS - FILING 2.DWG
Friday, February 24, 2017



OPEN SPACE

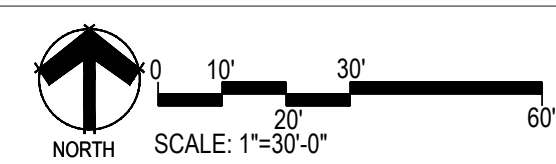
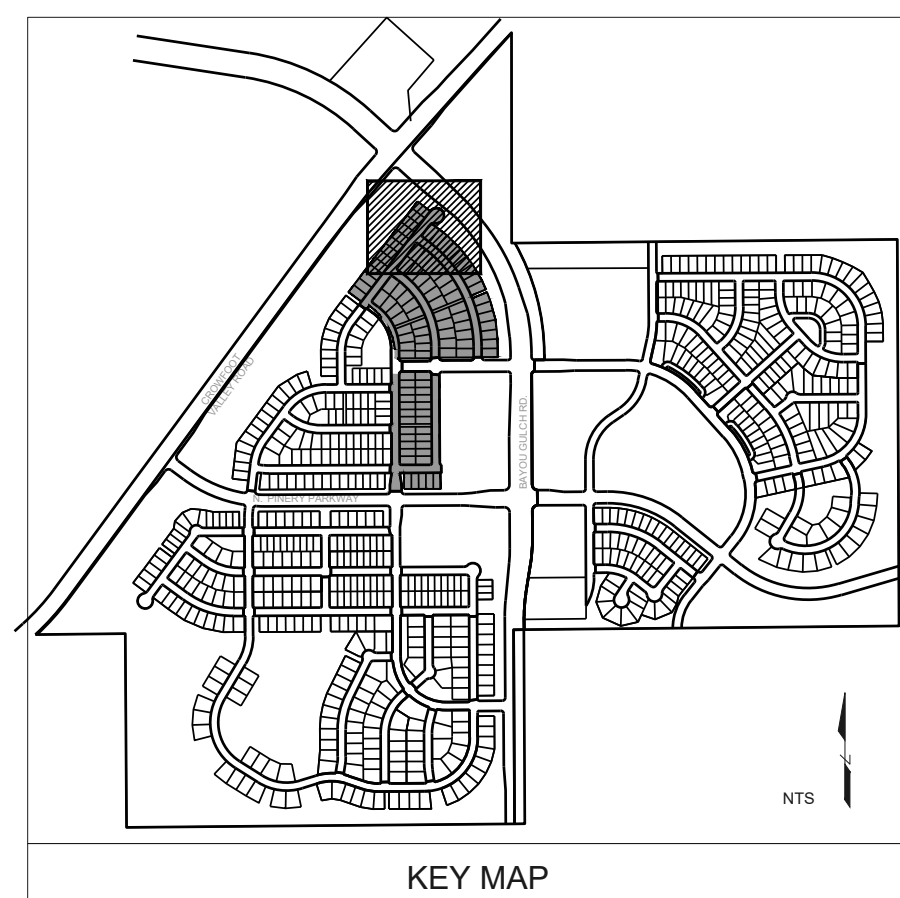
ORNAMENTAL TREES	COMMON NAME
WKH	"WINTER KING" HAWTHORN
SC2	SPRING SNOW CRAB APPLE
DECIDUOUS SHRUBS	COMMON NAME
CD	BLUE MIST SHRUB
SP2	DWARF ARCTIC WILLOW
VL	MOHICAN WAYFARING TREE
EVERGREEN SHRUBS	COMMON NAME
CSM	MOONLIGHT BROOM
GROUND COVERS	COMMON NAME
[Symbol]	ROCK MULCH GRAY, 1-1/2" MTN GRANITE
[Symbol]	SEED MIX 1
[Symbol]	SEED MIX 2
[Symbol]	TEMPORARILY IRRIGATED NATIVE SEED MIX FOR AREAS DISTURBED BY GRADING RE: LANDSCAPE NOTES

STREETSCAPE

DECIDUOUS TREES	COMMON NAME
AE	Emerald Queen Maple
AS	Schwedler Maple
BR	River Birch
CS	Northern Catalpa
HAC	Common Hackberry
GI	Imperial Honeylocust
GK	Kentucky Coffee Tree
OV	American Hornbeam
OC	Heritage Oak
OM	Burr Oak
QM2	Chinkapin Oak
QR	Red Oak
TG2	Glenleven Littleleaf Linden
UP	American Elm
GROUND COVERS	COMMON NAME
[Symbol]	ENVIROTURF RE: LANDSCAPE NOTES
[Symbol]	ROCK MULCH GRAY-1-1/2" MTN GRANITE

NOTES:

1. LANDSCAPE MATERIAL AND TREES IN TREE LAWNS ADJACENT TO LOTS ARE RESPONSIBILITY OF HOME BUILDER. STREET TREE LOCATIONS ARE NOT FINAL AND MAY CHANGE BASED UPON DRIVEWAY LOCATION.
2. NO FENCES OR STRUCTURES WILL BE ALLOWED WITHIN SIGHT TRIANGLES.
3. SHRUBS & PERENNIALS WITHIN SIGHT TRIANGLES WILL BE NO HIGHER THAN 2'.
4. MAILBOX CLUSTER LOCATIONS ARE CONCEPTUAL ONLY. FINAL LOCATIONS TO BE DETERMINED BY POSTMASTER.



Prepared For
ESX MANAGEMENT
7353 SOUTH ALTON WAY
CENTENNIAL, CO 80112

Land Planning
people creating spaces

pcs group inc. www.pcsgroupco.com
#3, 8-180 Independence plaza
1007 16th street, denver, co 80265
1 303.531.4905 f 303.531.4908

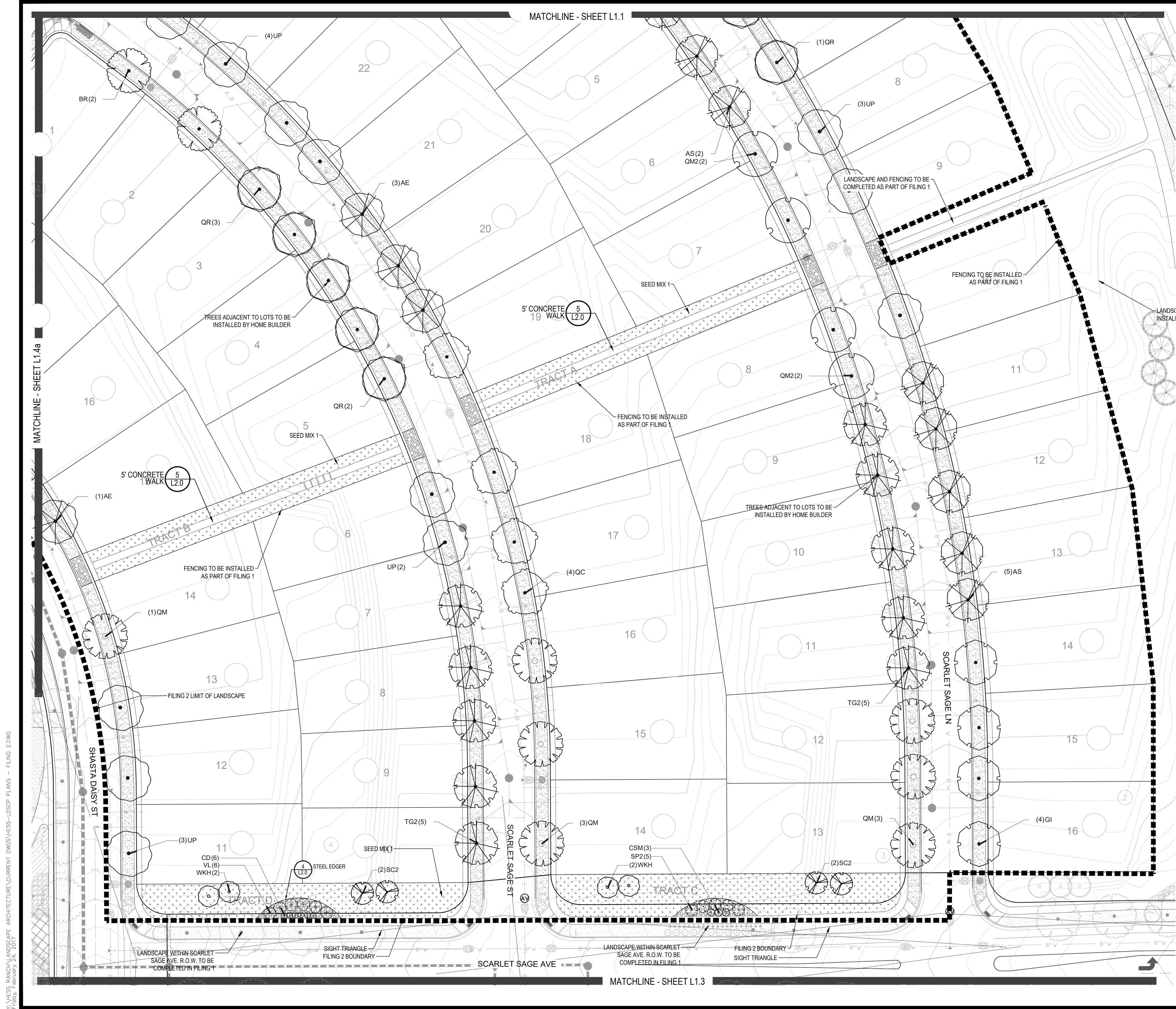
Engineering
CVL
CONSULTANTS
10333 E. DRY CREEK RD. #240
ENGLEWOOD, CO 80112
720-482-9526

TRAILS AT CROWFOOT
FILING NO. 2
PARKER, COLORADO
FINAL LANDSCAPE PLANS

Drawn by: JWI, BEM, GG
Checked by: PCS STAFF
Submittal Date: 04.18.2017
12.15.2017
3.2.2018
4.13.2018
10.18.2021

Sheet Name
LANDSCAPE PLAN

Sheet Number
L1.1



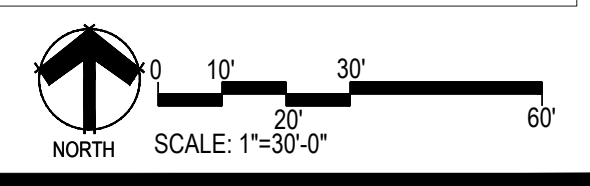
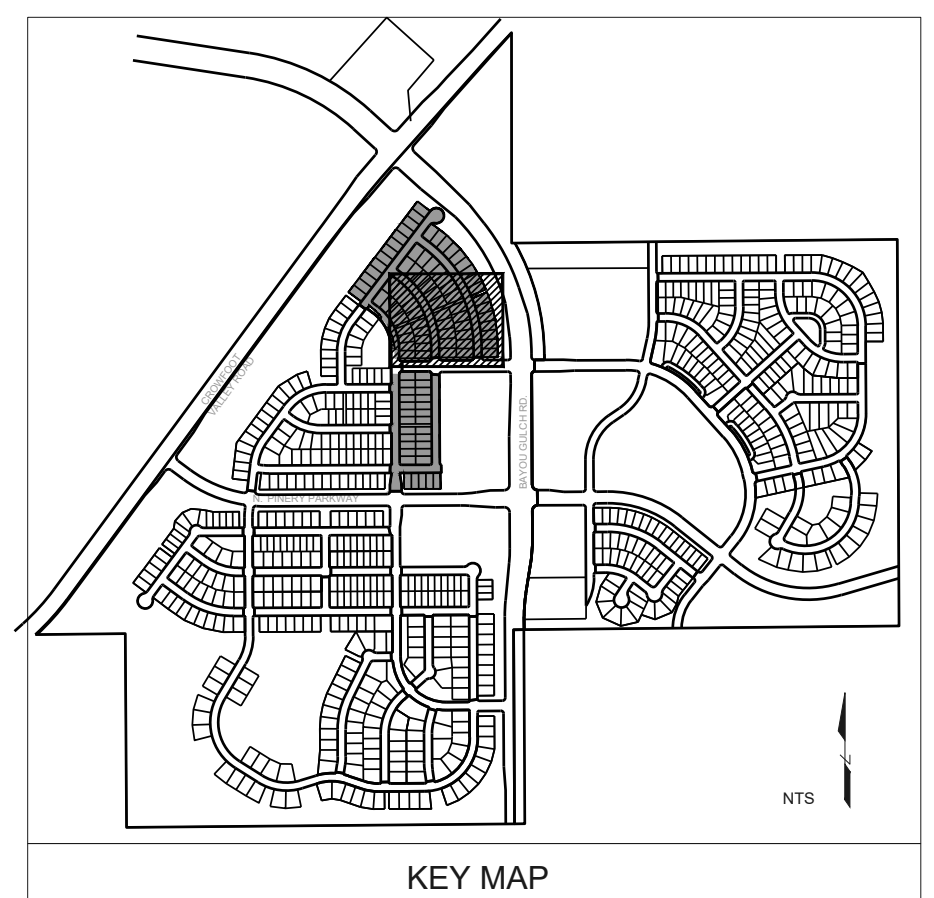
OPEN SPACE

ORNAMENTAL TREES WKH SC2	COMMON NAME "WINTER KING" HAWTHORN SPRING SNOW CRAB APPLE
DECIDUOUS SHRUBS CD SP2 VL	COMMON NAME BLUE MIST SHRUB DWARF ARCTIC WILLOW MOHICAN WAYFARING TREE
EVERGREEN SHRUBS CSM	COMMON NAME MOONLIGHT BROOM
GROUND COVERS	COMMON NAME
[Pattern]	ROCK MULCH GREY, 1-1/2" MTN GRANITE
[Pattern]	SEED MIX 1
[Pattern]	SEED MIX 2
[Pattern]	TEMPORARILY IRRIGATED NATIVE SEED MIX FOR AREAS DISTURBED BY GRADING RE: LANDSCAPE NOTES

STREETSCAPE

DECIDUOUS TREES AE AS BR CS HAC GI GK OV OC OM QM2 QR TG2 UP	COMMON NAME Emerald Queen Maple Schwedler Maple River Birch Northern Catalpa Common Hackberry Imperial Honeylocust Kentucky Coffee Tree American Hornbeam Heritage Oak Bur Oak Chinkapin Oak Red Oak Glenleven Littleleaf Linden American Elm
GROUND COVERS	COMMON NAME
[Pattern]	ENVIROTURF RE: LANDSCAPE NOTES
[Pattern]	ROCK MULCH GRAY-1-1/2" MTN GRANITE

- NOTES:**
- LANDSCAPE MATERIAL AND TREES IN TREE LAWNS ADJACENT TO LOTS ARE RESPONSIBILITY OF HOME BUILDER. STREET TREE LOCATIONS ARE NOT FINAL AND MAY CHANGE BASED UPON DRIVEWAY LOCATION.
 - NO FENCES OR STRUCTURES WILL BE ALLOWED WITHIN SIGHT TRIANGLES.
 - SHRUBS & PERENNIALS WITHIN SIGHT TRIANGLES WILL BE NO HIGHER THAN 2'.
 - MAILBOX CLUSTER LOCATIONS ARE CONCEPTUAL ONLY. FINAL LOCATIONS TO BE DETERMINED BY POSTMASTER.



Prepared For
ESX MANAGEMENT
7353 SOUTH ALTON WAY
CENTENNIAL, CO 80112

Land Planning
people creating spaces
pcs group inc. www.pcsgroupco.com
#3, 8-180 Independence plaza
1007 16th street, denver, co 80265
1.303.531.4905 f. 1.303.531.4908

Engineering
CVL
CONSULTANTS
10333 E. DRY CREEK RD. #240
ENGLEWOOD, CO 80112
720-482-9526

TRAILS AT CROWFOOT
FILING NO. 2
PARKER, COLORADO
FINAL LANDSCAPE PLANS

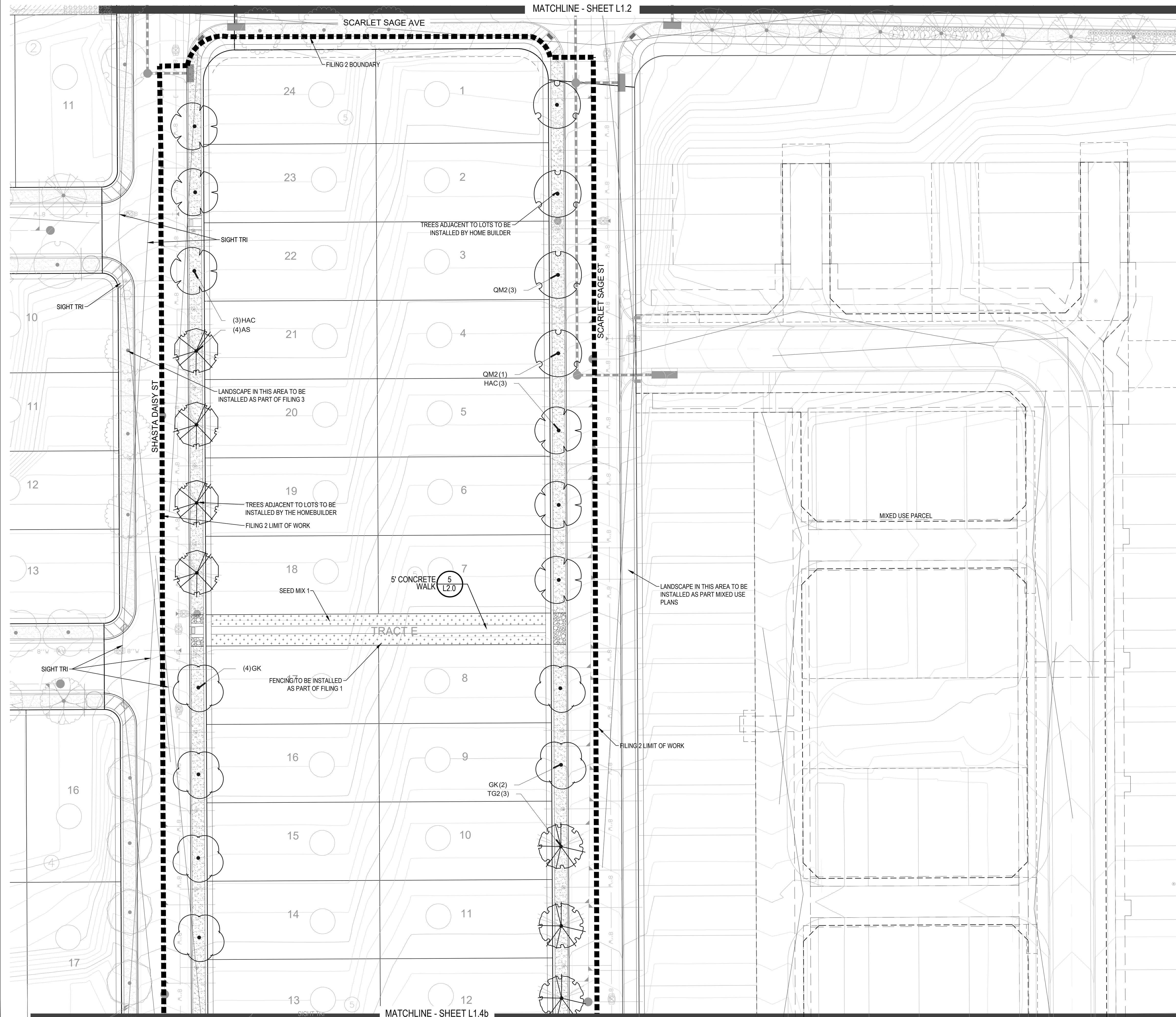
Drawn by: JWI, BEM, GG
Checked by: PCS STAFF
Submittal Date: 04.18.2017
12.15.2017
3.2.2018
4.13.2018
10.18.2021

Sheet Name
LANDSCAPE PLAN

Sheet Number
L1.2

Y:\HES5 RANCH\LANDSCAPE ARCHITECTURE\CURRENT DWGS\HES5-LDSCP PLANS - FILING 2.DWG
Friday, February 24, 2017

Y:\HESSE RANCH\LANDSCAPE ARCHITECTURE\CURRENT DWGS\HESSE-LODSCP PLANS - FILING 2.DWG
Friday, February 24, 2017



OPEN SPACE

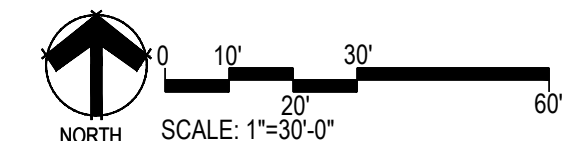
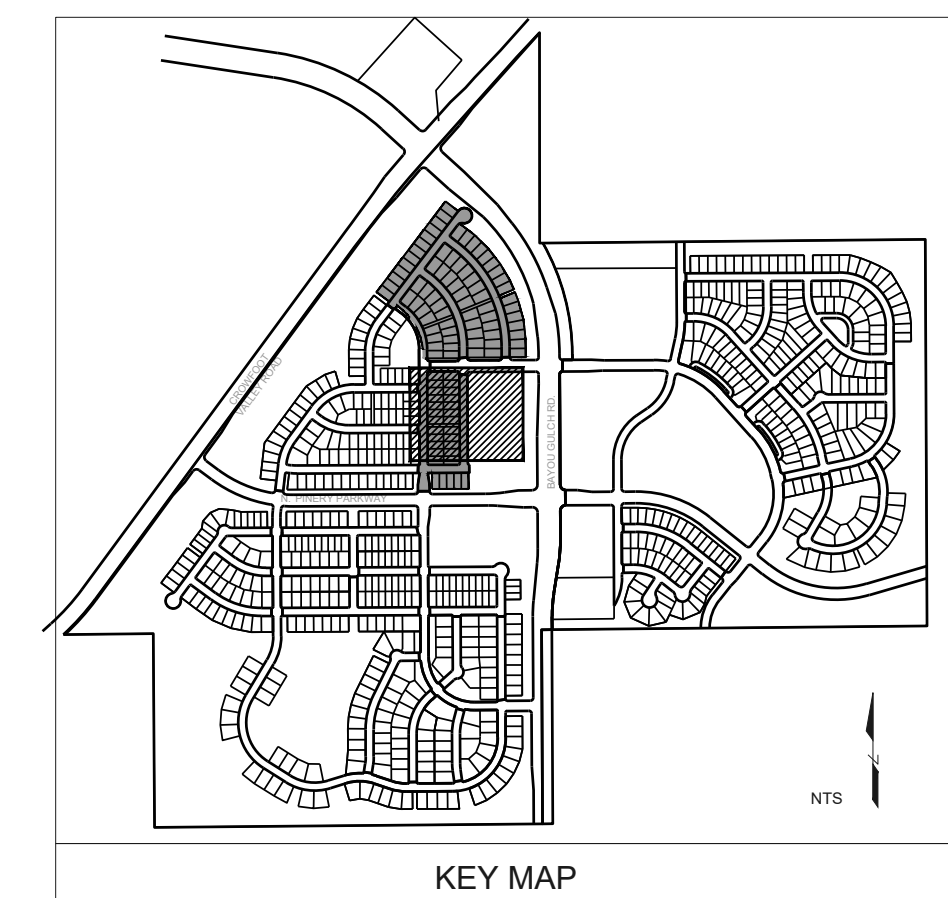
ORNAMENTAL TREES WKH SC2	COMMON NAME "WINTER KING" HAWTHORN SPRING SNOW CRAB APPLE
DECIDUOUS SHRUBS CD SP2 VL	COMMON NAME BLUE MIST SHRUB DWARF ARCTIC WILLOW MOHICAN WAYFARING TREE
EVERGREEN SHRUBS CSM	COMMON NAME MOONLIGHT BROOM
GROUND COVERS	COMMON NAME
	ROCK MULCH GREY, 1-1/2"MTN GRANITE
	SEED MIX 1
	SEED MIX 2
	TEMPORARILY IRRIGATED NATIVE SEED MIX FOR AREAS DISTURBED BY GRADING RE: LANDSCAPE NOTES

STREETSCAPE

DECIDUOUS TREES AE AS BR CS HAC GI GK OV OC OM QM2 QR TG2 UP	COMMON NAME Emerald Queen Maple Schwedler Maple River Birch Northern Catalpa Common Hackberry Imperial Honeylocust Kentucky Coffee Tree American Hornbeam Heritage Oak Burr Oak Chinkapin Oak Red Oak Glenleven Littleleaf Linden American Elm
GROUND COVERS	COMMON NAME
	ENVIROTURF RE: LANDSCAPE NOTES
	ROCK MULCH GRAY-1-1/2" MTN GRANITE

NOTES:

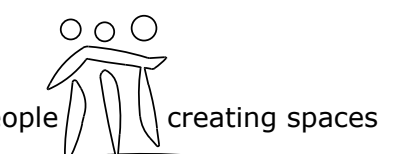
1. LANDSCAPE MATERIAL AND TREES IN TREE LAWNS ADJACENT TO LOTS ARE RESPONSIBILITY OF HOME BUILDER. STREET TREE LOCATIONS ARE NOT FINAL AND MAY CHANGE BASED UPON DRIVEWAY LOCATION.
2. NO FENCES OR STRUCTURES WILL BE ALLOWED WITHIN SIGHT TRIANGLES.
3. SHRUBS & PERENNIALS WITHIN SIGHT TRIANGLES WILL BE NO HIGHER THAN 2'.
4. MAILBOX CLUSTER LOCATIONS ARE CONCEPTUAL ONLY. FINAL LOCATIONS TO BE DETERMINED BY POSTMASTER.



Prepared For

ESX MANAGEMENT
7353 SOUTH ALTON WAY
CENTENNIAL, CO 80112

Land Planning



pcs group inc. www.pcsgroupco.com
#3, 8-180 Independence plaza
1007 16th street, denver, co 80265
t 303.531.4905 f 303.531.4908

Engineering



10333 E. DRY CREEK RD. #240
ENGLEWOOD, CO 80112
720-482-9526

TRAILS AT CROWFOOT

FILING NO. 2

PARKER, COLORADO

FINAL LANDSCAPE PLANS

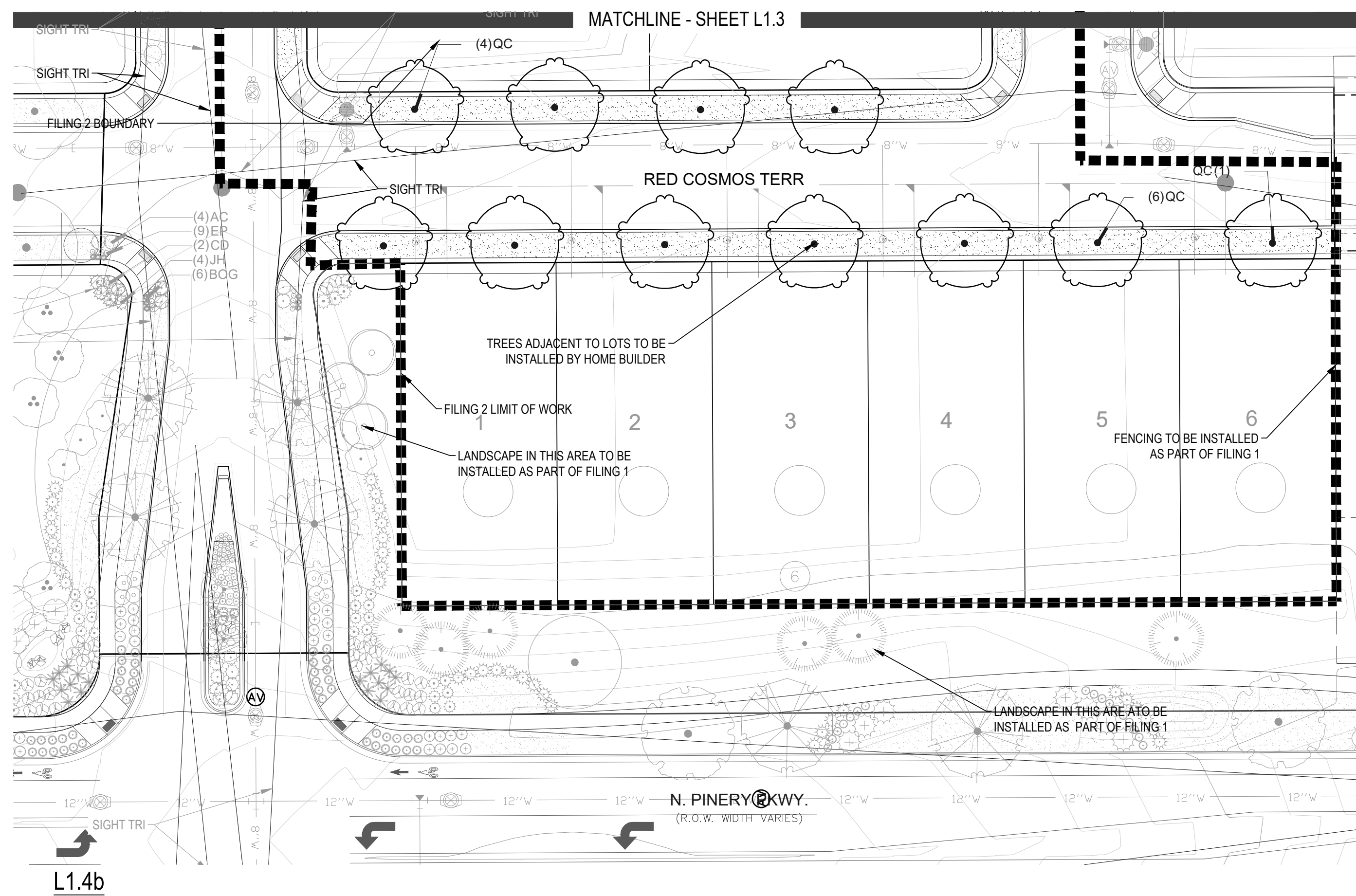
Drawn by:	JWI, BEM, GG
Checked by:	PCS STAFF
Submittal Date:	04.18.2017
	12.15.2017
	3.2.2018
	4.13.2018
	10.18.2021

Sheet Name
LANDSCAPE PLAN

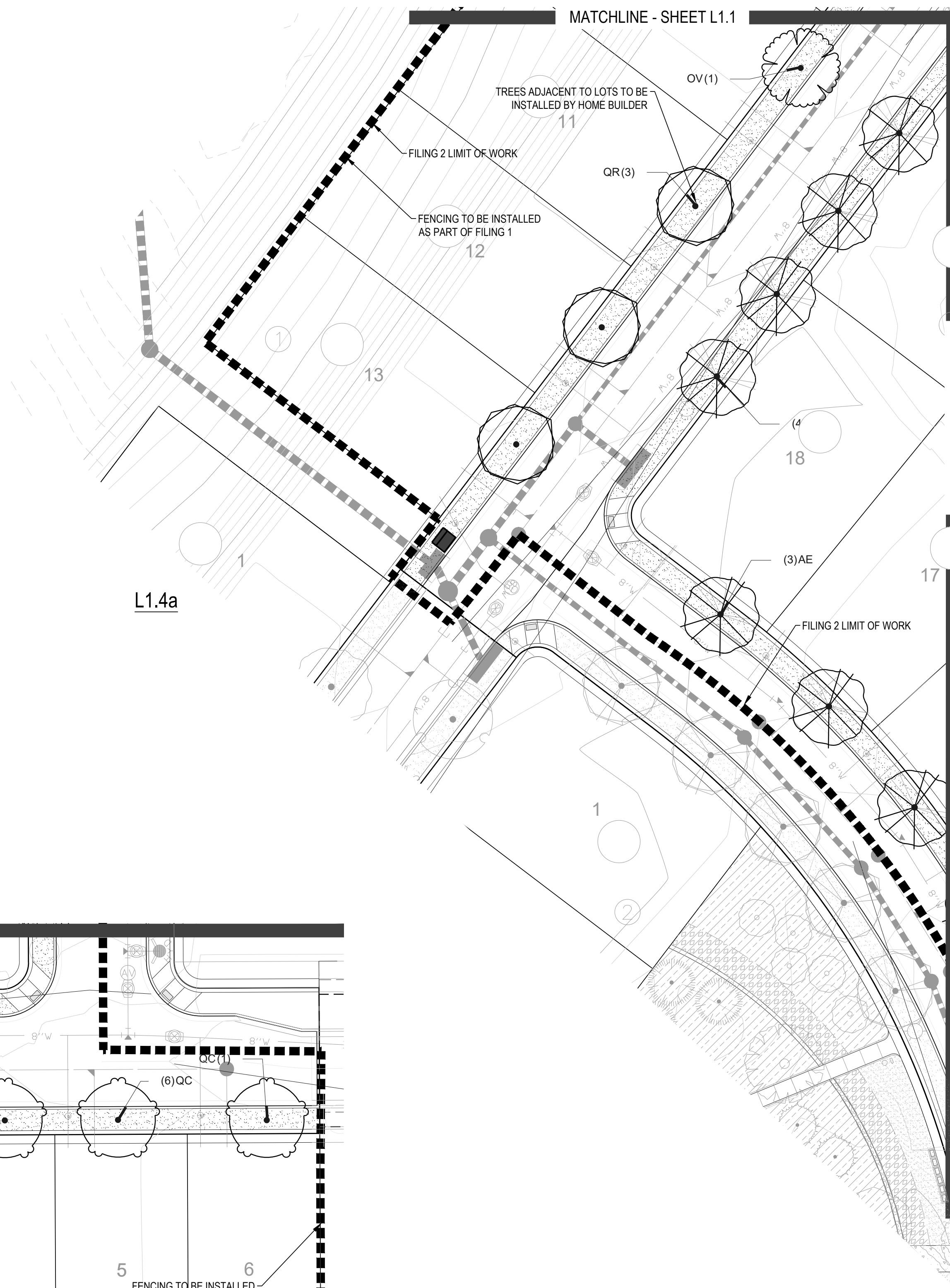
Sheet Number

L1.3

Y:\HESSE RANCH\LANDSCAPE ARCHITECTURE\CURRENT DWGS\HESSE-LDSCP PLANS - FILING 2.DWG
Friday, February 24, 2017



L1.4b



L1.4a

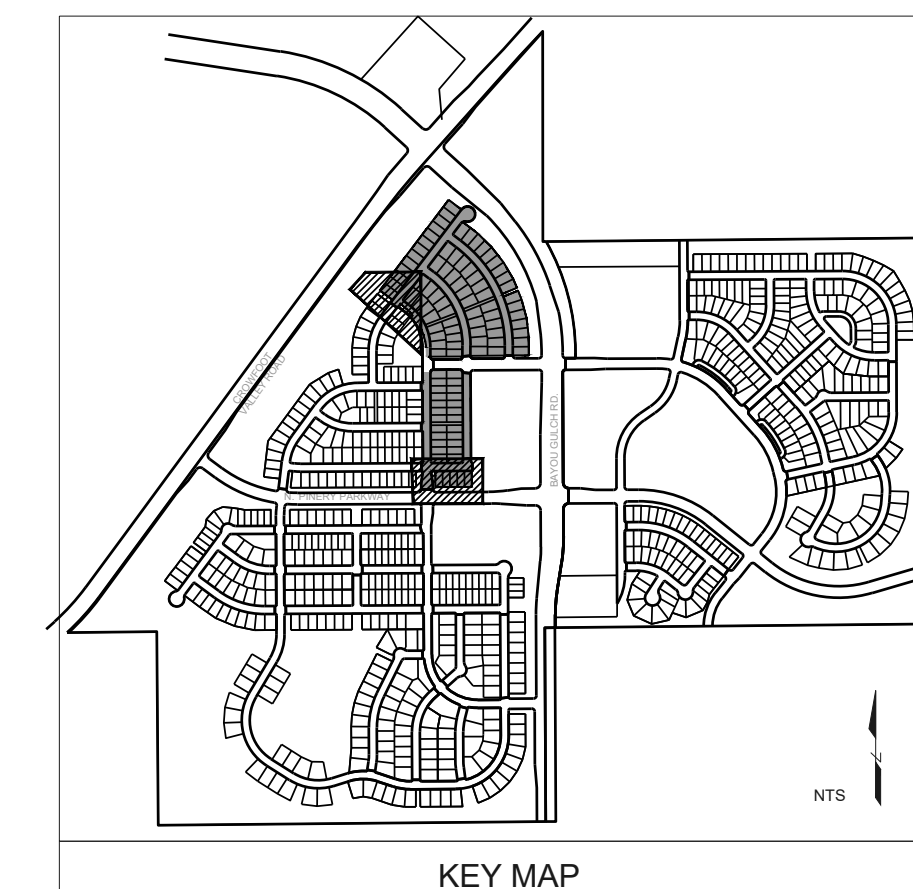
OPEN SPACE

ORNAMENTAL TREES	COMMON NAME
WKH	WINTER KING HAWTHORN
SCZ	SPRING SNOW CRAB APPLE
DECIDUOUS SHRUBS	COMMON NAME
CD	BLUE MIST SHRUB
SP2	DWARF ARCTIC WILLOW
VL	MOHICAN WAYFARING TREE
EVERGREEN SHRUBS	COMMON NAME
CSM	MOONLIGHT BROOM
GROUND COVERS	COMMON NAME
[Pattern]	ROCK MULCH GREY, 1-1/2" MTN GRANITE
[Pattern]	SEED MIX 1
[Pattern]	SEED MIX 2
[Pattern]	TEMPORARILY IRRIGATED NATIVE SEED MIX FOR AREAS DISTURBED BY GRADING RE: LANDSCAPE NOTES

STREETSCAPE

DECIDUOUS TREES	COMMON NAME
AE	Emerald Queen Maple
AS	Schwedler Maple
BR	River Birch
CS	Northern Catalpa
HAC	Common Hackberry
GI	Imperial Honeylocust
GK	Kentucky Coffee Tree
OV	American Hornbeam
QC	Heritage Oak
QM	Burr Oak
QM2	Chinkapin Oak
QR	Red Oak
TG2	Glenleven Littleleaf Linden
UP	American Elm
GROUND COVERS	COMMON NAME
[Pattern]	ENVIROTURF RE: LANDSCAPE NOTES
[Pattern]	ROCK MULCH GRAY-1-1/2" MTN GRANITE

- NOTES:
1. LANDSCAPE MATERIAL AND TREES IN TREE LAWNS ADJACENT TO LOTS ARE RESPONSIBILITY OF HOME BUILDER. STREET TREE LOCATIONS ARE NOT FINAL AND MAY CHANGE BASED UPON DRIVEWAY LOCATION.
 2. NO FENCES OR STRUCTURES WILL BE ALLOWED WITHIN SIGHT TRIANGLES.
 3. SHRUBS & PERENNIALS WITHIN SIGHT TRIANGLES WILL BE NO HIGHER THAN 2'.
 4. MAILBOX CLUSTER LOCATIONS ARE CONCEPTUAL ONLY. FINAL LOCATIONS TO BE DETERMINED BY POSTMASTER.



Prepared For

ESX MANAGEMENT
7353 SOUTH ALTON WAY
CENTENNIAL, CO 80112

Land Planning



pcs group inc. www.pcsgroupco.com
#3, 8-180 Independence plaza
1007 16th street, denver, co 80265
1.303.531.4905 f. 303.531.4908

Engineering



10333 E. DRY CREEK RD. #240
ENGLEWOOD, CO 80112
720-482-9526

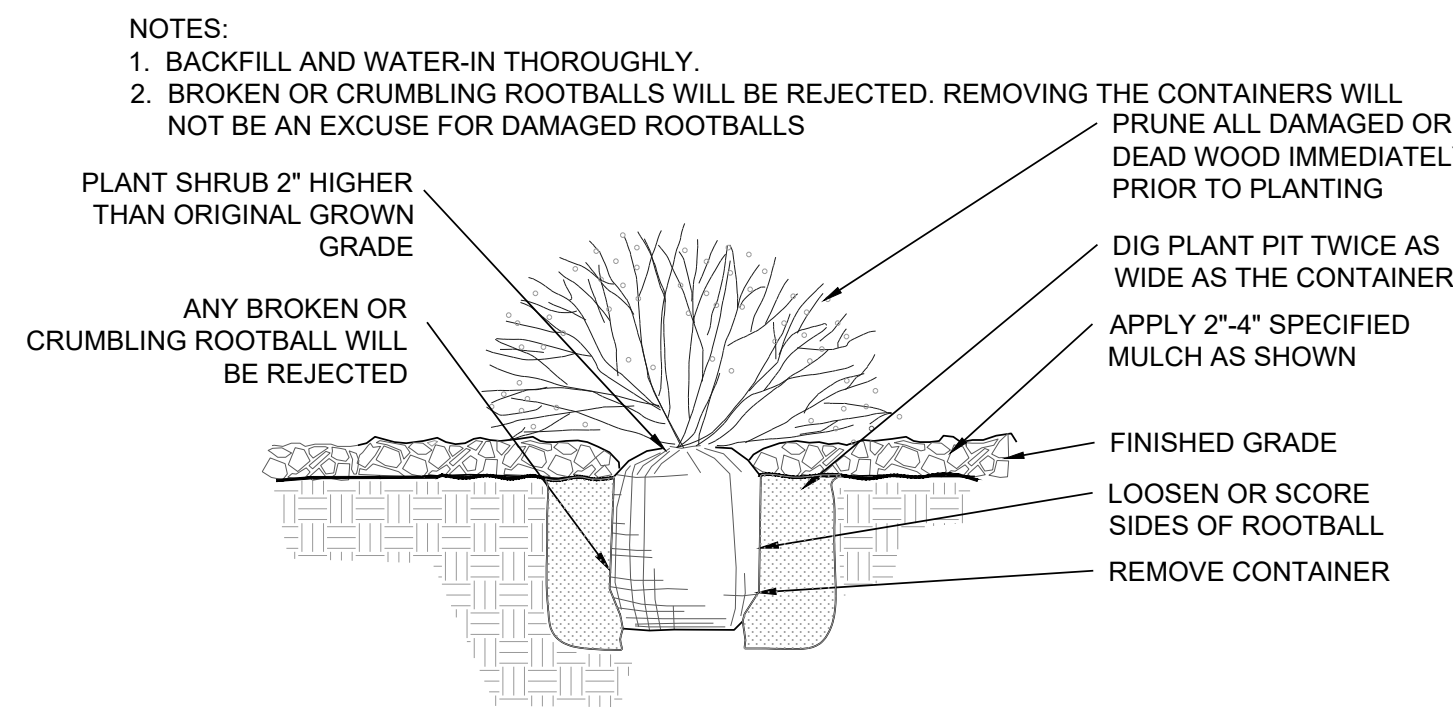
TRAILS AT CROWFOOT
FILING NO. 2
PARKER, COLORADO
FINAL LANDSCAPE PLANS

Drawn by:	JWI, BEM, GG
Checked by:	PCS STAFF
Submittal Date:	04.18.2017
	12.15.2017
	3.2.2018
	4.13.2018
	10.18.2021

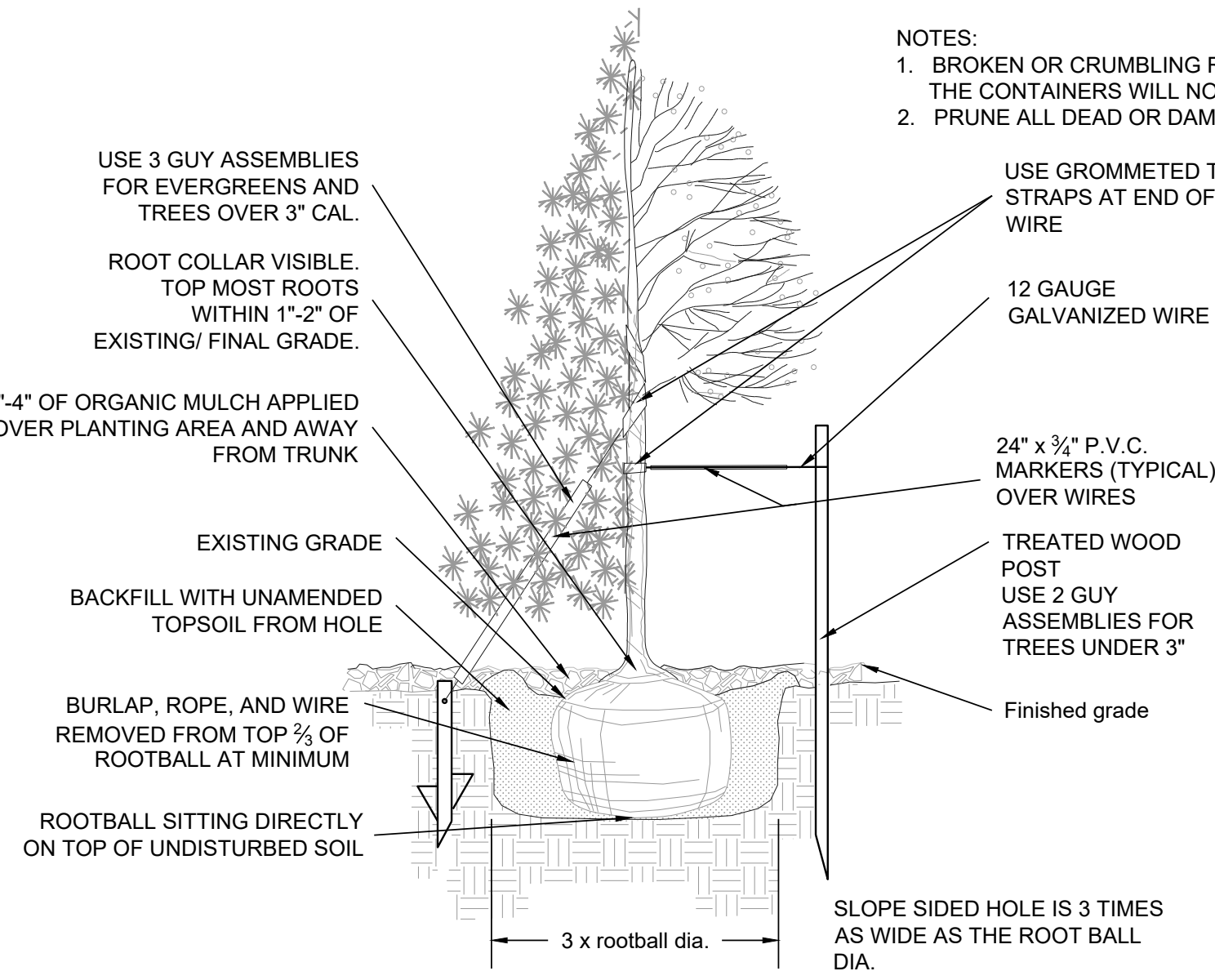
Sheet Name
LANDSCAPE PLAN

Sheet Number

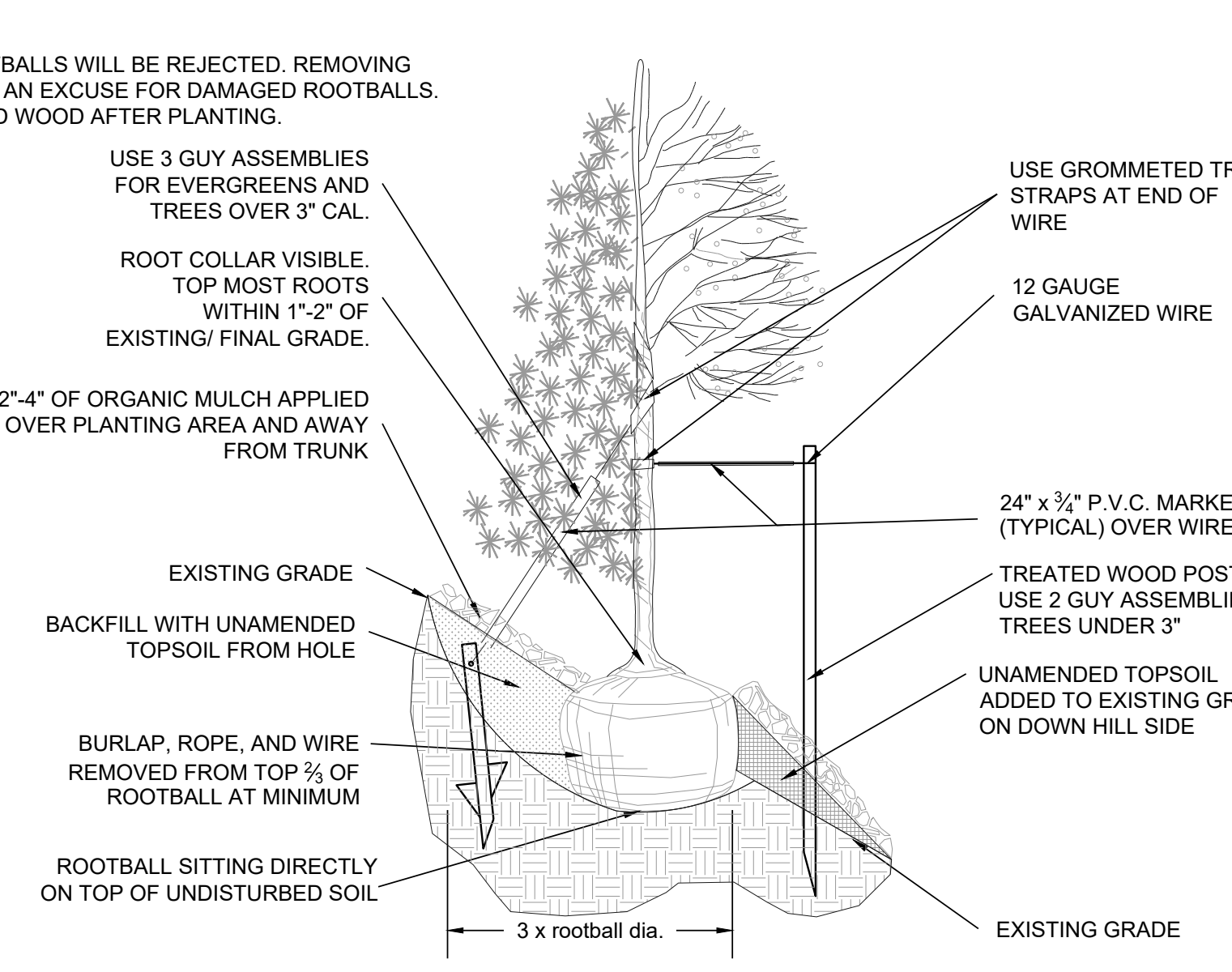
L1.4



1 SHRUB PLANTING NOT TO SCALE

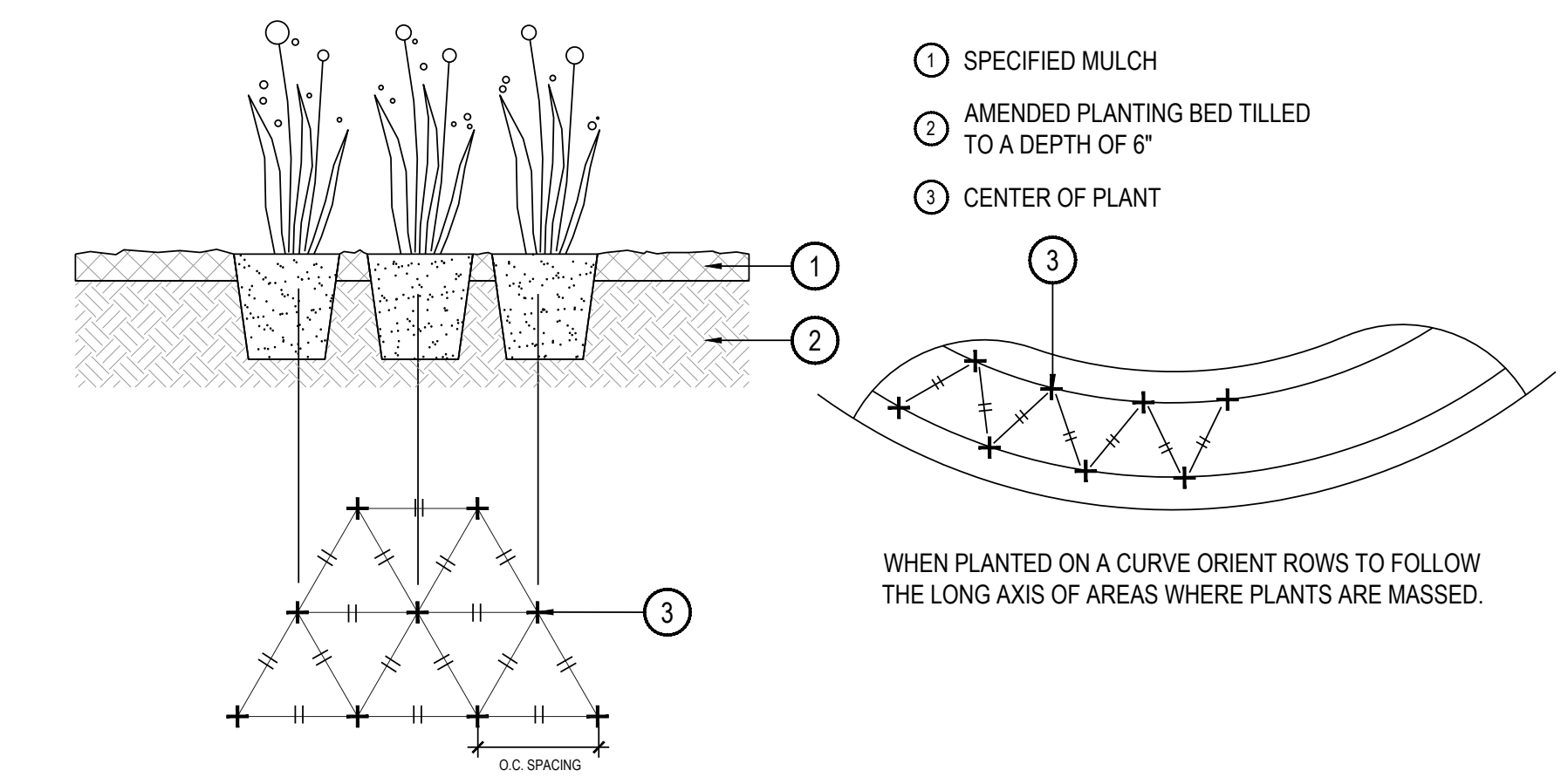


2 TREE PLANTING NOT TO SCALE

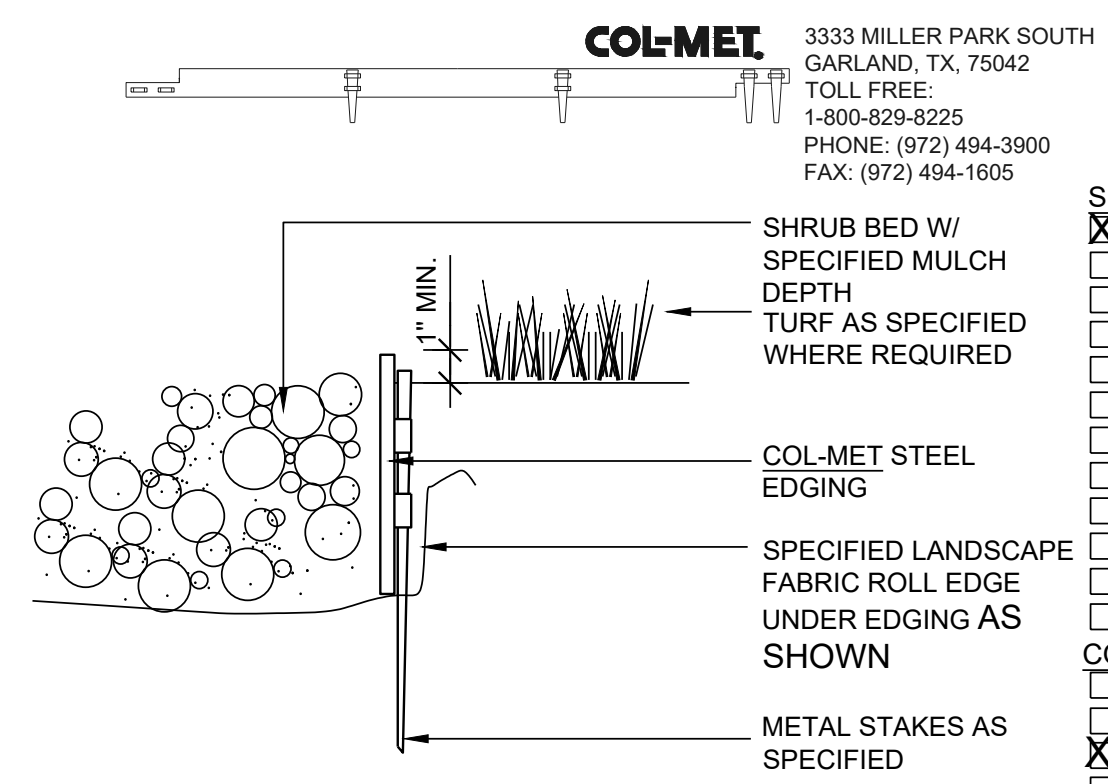


2 TREE PLANTING NOT TO SCALE

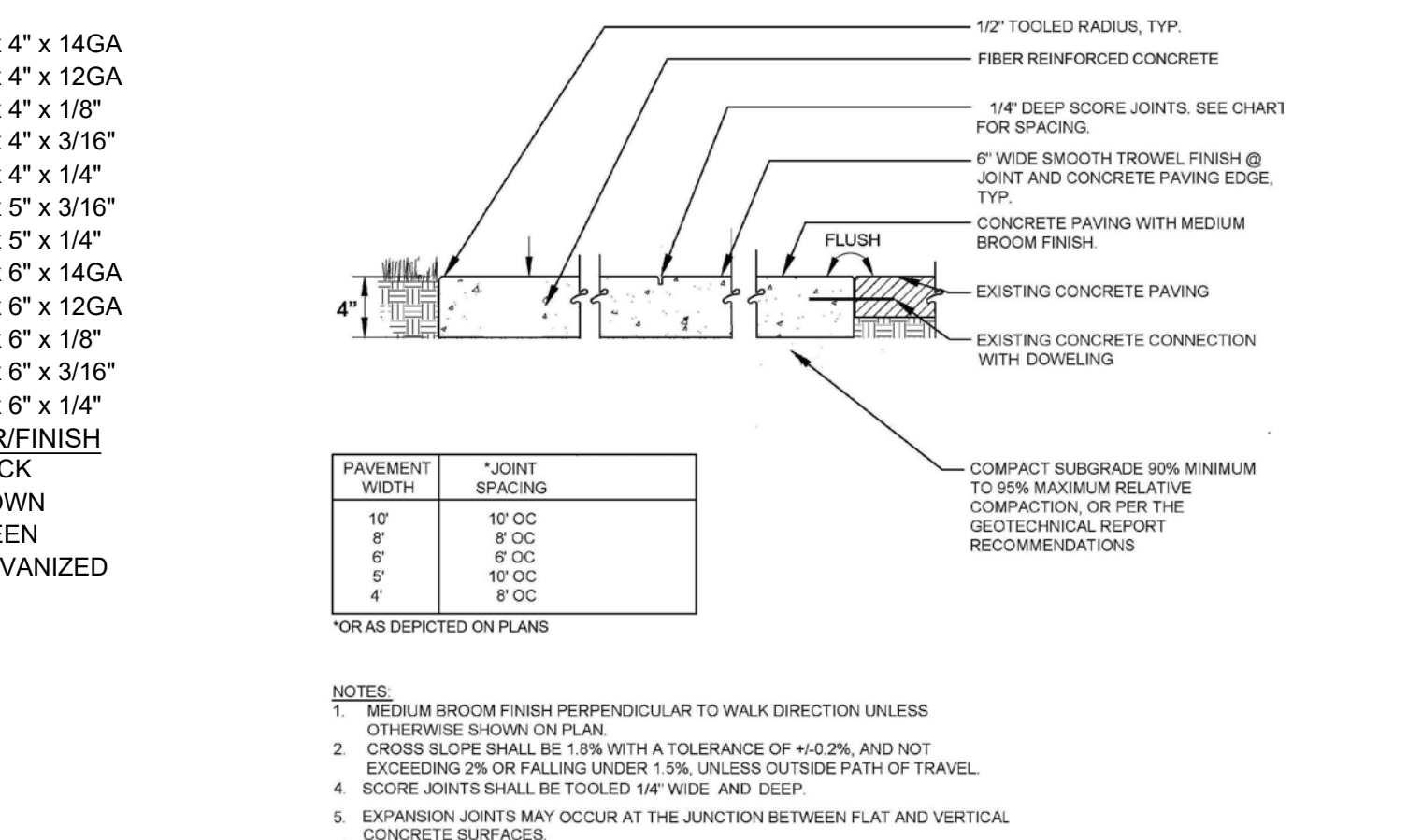
- NOTES:
- ALL WORK TO BE DONE AT TIME OF PLANTING
 - PEEL BACK ONLY TOP OF BURLAP REQUIRED TO PERFORM WORK. REPLACE BURLAP BEFORE MOVING TREE INTO PLANTING PIT. DO NOT REMOVE WIRE BASKET UNTIL INSIDE PLANTING PIT.
 - MEASURE NEW HEIGHT OF ROOTBALL AND DIG PLANTING PIT SO FINAL TOP ROOTBALL GRADE IS 3\"/>
 - EXCAVATE PLANTING HOLES WITH SLOPING SIDES. MAKE EXCAVATIONS AT LEAST THREE TIMES AS WIDE AS THE ROOT BALL DIAMETER AND NO DEEPER THAN THE DISTANCE FROM THE TOP MOST ROOTS IN THE ROOT BALL TO THE BOTTOM OF THE ROOT BALL TO ALLOW FOR SETTLING. DO NOT DISTURB SOIL AT BOTTOM OF PLANTING HOLES, BUT DO SCORE THE SIDES OF THE PLANTING HOLE. THE PLANTING AREA SHALL BE LOOSELY AND AERATED AT LEAST THREE TIMES THE DIAMETER OF THE ROOT BALL. BACKFILL SHALL CONSIST OF EXISTING SITE TOPSOIL - NO AMENDMENTS SHALL BE USED UNLESS OTHERWISE SPECIFIED.
 - TREES SHALL BE PLANTED WITH THE ROOT COLLAR/FLARE VISIBLE ABOVE GRADE AND TWO OR MORE STRUCTURAL ROOTS LOCATED WITHIN THE TOP 1\"/>
 - WHEN ROOT BALL WILL REMAIN INTACT, CUT OFF BOTTOM 1/4 OF WIRE BASKET BEFORE PLACING TREE IN HOLE. CUT OFF REMAINDER OF BASKET AFTER TREE IS SET IN HOLE, REMOVE BASKET COMPLETELY. AT A MINIMUM, THE TOP 2/3 OF THE BURLAP AND BASKET SHALL BE REMOVED FROM THE ROOT BALL ON ALL TREES. REMOVE ALL NYLON TIES, TWINE, ROPE AND BURLAP. REMOVE UNNECESSARY PACKING MATERIAL. FORM SOIL INTO A 3\"/>
 - SPECIFIED MULCH OVER PLANTING AREA AND INSIDE SAUCERS, AWAY FROM TRUNK. STAKING AND GUYING OF TREES IS OPTIONAL IN MOST PLANTING SITUATIONS. IN AREAS OF EXTREME WINDS OR ON STEEP SLOPES, STAKING MAY BE REQUIRED TO STABILIZE TREES. STAKING AND GUYING MUST BE REMOVED WITHIN 1 YEAR OF PLANTING DATE.
 - TREE WRAP IS NOT TO BE USED ON ANY NEW PLANTINGS, EXCEPT IN LATE FALL PLANTING SITUATIONS AND ONLY THEN AFTER CONSULTATION WITH THE TOWN ARBORIST.
 - RESETTING OF IMPROPERLY PLANTED TREES WILL ONLY BE ALLOWED IF IT IS DETERMINED THAT DOING SO WILL IN NO WAY COMPROMISE THE ROOT BALL, AND SHALL ONLY BE DONE WITH APPROVAL OF THE TOWN ARBORIST.



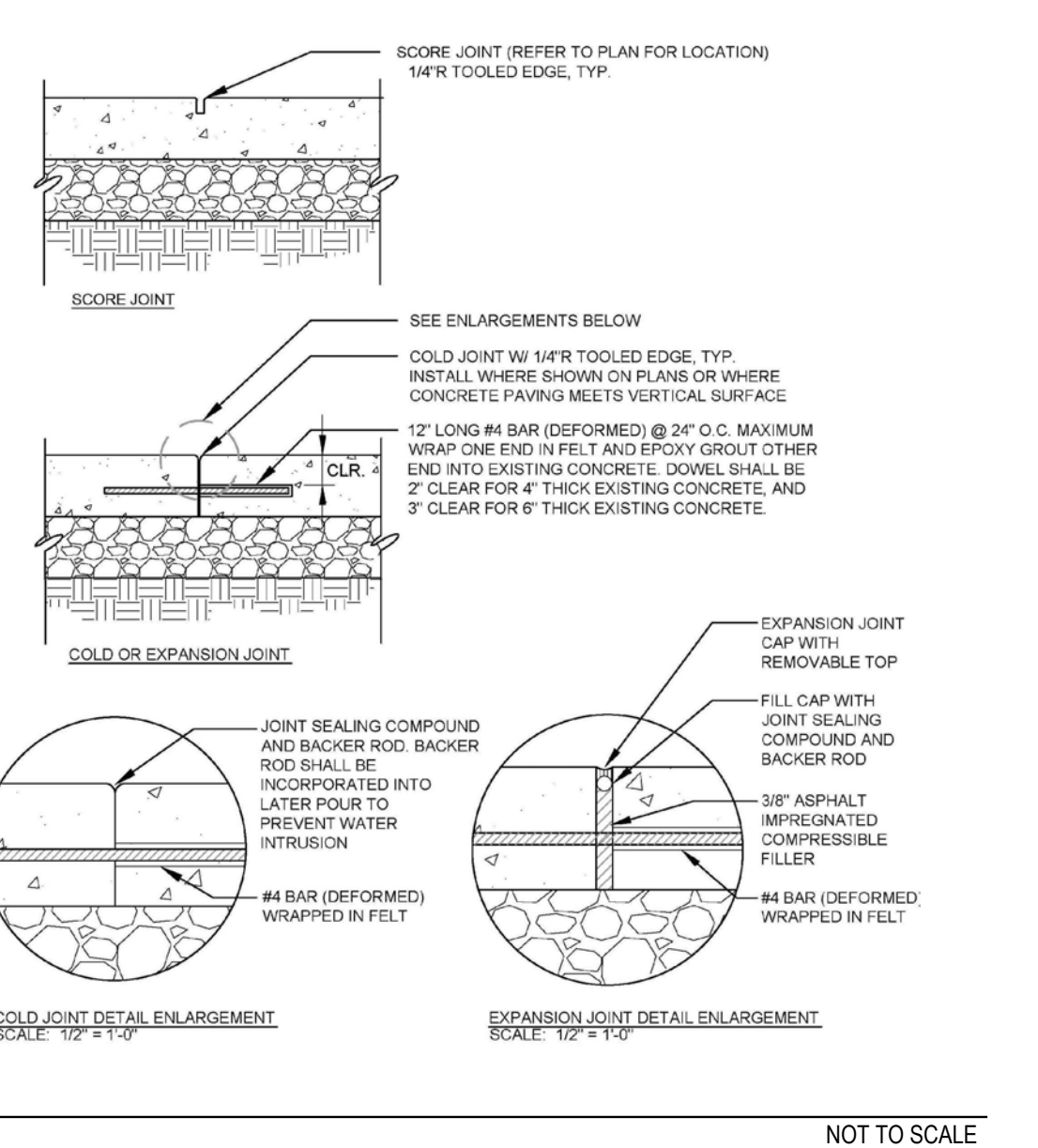
3 PERENNIAL OR GRASS PLANTING NOT TO SCALE



4 STEEL EDGER NOT TO SCALE



5 5' CONCRETE WALK NOT TO SCALE



5' CONCRETE WALK NOT TO SCALE

Y:\HESR_RANCH\LANDSCAPE_ARCHITECTURE\CURRENT DWGS\HESR-LDSCP_PLANS - FILING 2.DWG Friday, February 24, 2017

Drawn by: JWI, BEM, GG
Checked by: PCS STAFF
Submittal Date: 04.18.2017
12.15.2017
3.2.2018
4.13.2018
10.18.2021

Know what's below.
Call before you dig.

Sheet Name
SITE & LANDSCAPE
DETAILS

Sheet Number
L2.0

IRRIGATION SCHEDULE

SYMBOL	MANUFACTURER/MODEL/DESCRIPTION	PSI
	HUNTER PRO-S-06-PR530-CV WITH TORO NOZZLE & SERIES TURF SPRAY, 30 PSI REGULATED 6.0" POP-UP, WITH FACTORY INSTALLED DRAIN CHECK VALVE. CO-MOLDED WIPER SEAL WITH UV RESISTANT MATERIAL. UTILIZE TORO PRECISION SERIES SPRAY NOZZLES.	30
	REMOTE CONTROL VALVE ASSEMBLY HUNTER MODEL ICV 1", 1-1/2", 2", AND 3" PLASTIC ELECTRIC REMOTE CONTROL VALVES, GLOBE CONFIGURATION	
	QUICK COUPLER VALVE ASSEMBLY HUNTER HQ-SRC VALVE WITH YELLOW RUBBER COVER, RED BRASS AND STAINLESS STEEL, WITH 1" NPT INLET, 1-PIECE BODY.	
	ISOLATION GATE VALVE ASSEMBLY MATCO-NORCA 514TX: 1/2"-4" BRASS GATE VALVE, FULL PORT, WITH SOLID WEDGE. IPS. CROSS HANDLE. SAME SIZE AS MAINLINE PIPE.	
	WEATHERMATIC SURGE DECODER. INSTALL PER MANUFACTURER'S RECOMMENDATIONS (APPROX. EVERY 600', AT THE CONTROLLER, AND AT THE END OF EACH MAINLINE RUN). INSTALL 8' COPPER CLAD GROUNDING ROD INSTALLED AT LEAST 8' FROM VALVE BOX, PERPENDICULAR TO 2-WIRE CONTROL CABLE.	
	IRRIGATION LATERAL LINE: PVC CLASS 200 SDR 21 ONLY LATERAL TRANSITION PIPE SIZES 1-1/4" AND ABOVE ARE INDICATED ON THE PLAN, WITH ALL OTHERS BEING 1" IN SIZE.	
	DRIP IRRIGATION LATERAL LINE TO EMITTERS: UV RADIATION RESISTANT POLYETHYLENE PIPE, 3/4-INCH UNLESS OTHERWISE SPECIFIED.	
	DRIP IRRIGATION LATERAL LINE TO EMITTERS IN NATIVE SEED: 3/4-INCH UV RADIATION RESISTANT POLYETHYLENE PIPE TO NETAFIM INLINE DRIP TUBING TREE RINGS (RE: DETAILS).	
	IRRIGATION MAINLINE: PVC CLASS 200 SDR 21 2-INCH UNLESS OTHERWISE NOTED.	
	PIPE SLEEVE: PVC CLASS 200 SDR 21	

Valve Callout	
	Valve Number
	Valve Flow
	Valve Size

REFERENCE NOTES SCHEDULE

SYMBOL	DESCRIPTION
	IRRIGATION SHOWN IN HARDSCAPE FOR CLARITY ONLY. ALL IRRIGATION SHALL BE INSTALLED IN LANDSCAPED AREA. ANY IRRIGATION TO BE INSTALLED UNDER HARDSCAPE SHALL BE SLEEVED.
	CONTRACTOR SHALL FIELD LOCATE EXISTING MAINLINE AND CONTROL WIRES STUB FROM ADJACENT FILING. MAKE MAINLINE AND WIRE CONNECTIONS AND ROUTE AS INDICATED EXISTING ISOLATION GATE VALVE FROM ADJACENT FILING SHOWN FOR REFERENCE.
	CONTRACTOR SHALL FIELD LOCATE EXISTING SPRINKLER OR DRIP LATERAL LINE FROM ADJACENT FILING. MAKE NEW LATERAL LINE CONNECTION AND ROUTE AS INDICATED

EMITTER SCHEDULE

PLANT TYPE	EMITTER TYPE	GPH/OUTLET	NO. OF EMITTERS	TOTAL FLOW
GROUND COVER	SINGLE OUTLET	1 GPH	1	1 GPH
PERENNIALS	SINGLE OUTLET	1 GPH	1	1 GPH
1 GAL. SHRUB	SINGLE OUTLET	1 GPH	1	1 GPH
5 GAL. SHRUB	SINGLE OUTLET	1 GPH	2	2 GPH
TREE IN SHRUB BED	SINGLE OUTLET	1 GPH	4-8	4-8 GPH
TREE IN NATIVE SEED	INLINE DRIP*	0.6 GPH	N/A	N/A

NOTES:
 1. MULTIPLE OUTLET EMITTERS CAN BE UTILIZED IN DENSELY PLANTED AREAS AND FOR TREES IN SHRUB BEDS.
 2. REFER TO LEGEND AND DETAILS FOR INLINE DRIP TOTALS.

INSTALLATION GENERAL NOTES

- DESIGN ASSUMES A MINIMUM DYNAMIC PRESSURE FOR THE IRRIGATION SYSTEM (PER CITY OR ENGINEER) OF UP TO 90 PSI, AT A MINIMUM FLOW OF 70 GPM AT EACH 2-INCH POINT-OF-CONNECTION (POC). VERIFY PRESSURE AND FLOW ON SITE PRIOR TO CONSTRUCTION. CONTACT GENERAL CONTRACTOR OR OWNER'S REPRESENTATIVE IMMEDIATELY IF FLOW OR PRESSURE ARE LOWER THAN LISTED ABOVE. BOOSTER PUMP MAY BE REQUIRED.
 - NEITHER HISTORICAL NOR CIVIL SITE HYDRAULICS WERE AVAILABLE AT THE TIME OF DESIGN.
- CONTRACTOR SHALL BECOME FAMILIAR WITH THE SPECIFICATIONS AND INSTALLATION DETAILS FOR THIS AND RELATED WORK PRIOR TO CONSTRUCTION. FOR CLARIFICATION, CONTACT IRRIGATION DESIGNER PRIOR TO CONSTRUCTION.
 - UPON FINAL ACCEPTANCE, CONTRACTOR SHALL TURN OVER REQUIRED ADJUSTMENT KEYS INCLUDING BUT NOT LIMITED TO CONTROLLER ENCLOSURE AND BACKFLOW ENCLOSURE KEY, LOCKING VALVE BOX KEYS, QUICK COUPLER KEYS, GATE VALVE KEY, SPRINKLER HEAD AND NOZZLE ADJUSTMENT KEYS.
 - UPON FINAL ACCEPTANCE, CONTRACTOR SHALL TURN OVER SPARE PARTS PERTAINING TO INSTALLED SYSTEM: BACKFLOW WINTERIZATION INSERT, TWO OF EVERY HEAD AND NOZZLE (ROTOR NOZZLE TREE INCLUDED), ONE RCV DIAPHRAGM, ETC.
- COORDINATE UTILITY LOCATES OF UNDERGROUND UTILITIES PRIOR TO CONSTRUCTION (*811 CALL BEFORE YOU DIG).
- IF DISCREPANCIES ARE NOTED IN THE FIELD BETWEEN SITE CONDITIONS AND PROVIDED DESIGNS, CONTRACTOR SHALL NOTIFY OWNER'S REPRESENTATIVE OR GENERAL CONTRACTOR IMMEDIATELY. DO NOT PROCEED WITH THE INSTALLATION OF THE IRRIGATION SYSTEM IF SUCH DISCREPANCIES IN THE FIELD AFFECT THE PROVIDED DESIGN, DETAILS, OR SPECIFICATIONS.
- ALL IRRIGATION COMPONENTS (MAINLINE, WIRES, LATERAL LINES, ETC.) SHALL BE INSTALLED IN LANDSCAPED AREAS WHENEVER POSSIBLE, EVEN THOUGH SAID IRRIGATION COMPONENTS MAY BE SHOWN OUTSIDE PLANTING AREAS FOR CLARITY.
- AVOID CONFLICTS BETWEEN THE IRRIGATION SYSTEM, PLANTING MATERIALS, AND ARCHITECTURAL FEATURES WHENEVER POSSIBLE. COORDINATE POTENTIAL RELOCATION OF BOULDERS AND TREES IN TURF AREAS WITH LANDSCAPE ARCHITECT PRIOR TO SPRINKLER LAYOUT. IF LANDSCAPE MATERIAL CANNOT BE RELOCATED, ADDITIONAL SPRINKLERS MAY BE REQUIRED.
- CROSS FITTINGS ARE NOT ALLOWED, ONLY STANDARD TEES AND ELBOWS.
- CONTRACTOR SHALL INSTALL NOZZLES PER PLAN, UNLESS IRRIGATED AREA CHANGED IN SIZE OR PLANT MATERIAL TYPE CHANGES.

- IF NOZZLE CHANGES ARE REQUIRED AND ARE SIGNIFICANT IN SIZE, CONTRACTOR SHALL CONTACT IRRIGATION DESIGNER FOR APPROVAL.
- CONTRACTOR SHALL FIELD LOCATE ANY EXISTING SLEEVES ON SITE PRIOR TO CONSTRUCTION WITH THE AID OF THE GENERAL CONTRACTOR. MISSING SLEEVES SHALL BE REPORTED IMMEDIATELY. NEW SLEEVES SHOWN ON PLANS ARE REQUIRED FOR BOTH PIPING AND ELECTRICAL WIRING AT EACH HARDSCAPE CROSSING. COORDINATE INSTALLATION OF SLEEVING WITH OTHER TRADES. ANY PIPE OR WIRE WHICH PASSES BENEATH EXISTING HARDSCAPE WHERE SLEEVING WAS NOT INSTALLED WILL REQUIRE HORIZONTAL BORING BY THE IRRIGATION CONTRACTOR.
 - INSTALL ALL ELECTRICAL POWER TO THE IRRIGATION CONTROL SYSTEM IN ACCORDANCE WITH THE NATIONAL ELECTRIC CODE AND ALL APPLICABLE LOCAL ELECTRIC UTILITY CODES.
 - THE FOLLOWING SHOULD BE NOTED REGARDING PIPE SIZING: IF A SECTION OF UNSIZED PIPE IS LOCATED BETWEEN THE IDENTICALLY SIZED SECTIONS, THE UNSIZED PIPE IS THE SAME NOMINAL SIZE AS THE TWO SIZED SECTIONS. THE UNSIZED PIPE SHOULD NOT BE CONFUSED WITH THE DEFAULT PIPE SIZE NOTED IN THE LEGEND.
 - MAINLINE PIPE SIZES MAY VARY THROUGHOUT PROJECT. EACH MAINLINE LEG IS SIZED TO ACCOMMODATE LARGEST VALVE ON THAT LEG. STATED SIZE IN LEGEND MAY NOT BE THE LARGEST SIZE ON PLANS.
 - TWO-WIRE CONTROL CABLE DOES NOT REQUIRE ADDITIONAL SPARE WIRES TO BE ROUTED WITH MAINLINE.
 - TWO-WIRE CONTROL SURGE ARRESTORS SHALL BE INSTALLED PER MANUFACTURER'S RECOMMENDATIONS. ARRESTORS ARE NOT DEPICTED ON PLANS.
 - FIRST SURGE DECODER SHALL BE PLACED AT CONTROLLER, THEN EVERY 600' (APPROX.) THEREAFTER.
 - INSTALL NEAR VALVE USING EITHER 8' GROUND ROD OR PLATE. INSTALL PER INDUSTRY STANDARDS.
 - DECODERS MUST BE PROGRAMMED AT THE CONTROLLER BEFORE WIRING TO VALVES.
 - TREES IN TURF ARE NOT IRRIGATED BY DRIP SYSTEM. DRIP LATERAL ROUTED NEAR TREES IN TURF ARE NOT TO RECEIVE DRIP IRRIGATION. TREES IN UNDISTURBED NATIVE SEEDED AREAS ARE IRRIGATED ON DRIP SYSTEM.
 - NO IRRIGATION EQUIPMENT, INCLUDING BUT NOT LIMITED TO, MAINLINE, VALVES, AND SPRINKLERS, SHALL BE INSTALLED WITHIN 3' OF NEW BUILDING FOUNDATION.
 - SPRINKLER ZONES CAN ONLY COVER AN ELEVATION RANGE OF 14', THUS THE SMALLER VALVE SIZES. ZONES CAN OPERATE SIMULTANEOUSLY WHERE APPLICABLE.
 - MAINLINE LOOPS ARE SIZED TO UTILIZE TAP SUPPLY OF 70 GPM.
 - DEAD END MAINLINE RUNS ARE SIZED TO ACCOMMODATE THE LARGEST VALVE ON THE RUN.

Prepared For

ESX MANAGEMENT
7353 SOUTH ALTON WAY
CENTENNIAL, CO 80112

Irrigation Designer

P.O. BOX 345
 Windsor, CO 80550
 970.402.3047
 Michelle@MPIDesignsllc.com

Engineering

10333 E. DRY CREEK RD. #240
 ENGLEWOOD, CO 80112
 720-482-9526

TRAILS AT CROWFOOT
 FILING NO. 2
 PARKER, COLORADO
 FINAL IRRIGATION PLANS

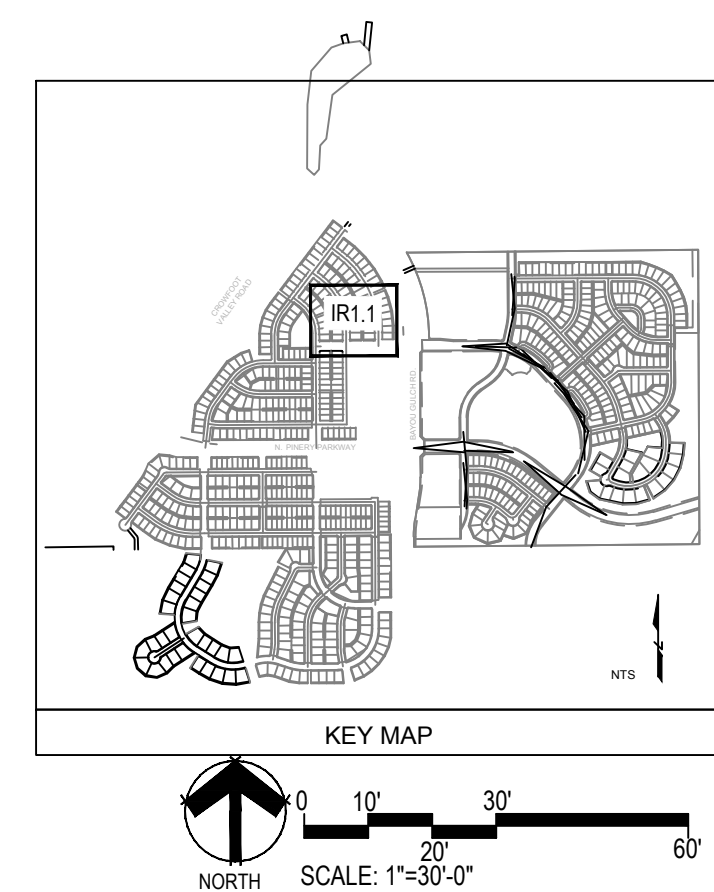
Drawn by: DGP/MLP
 Checked by: MLP
 Submittal Date: 04.18.2017
 Date: 12.15.2017
 Know what's below. Call before you dig.

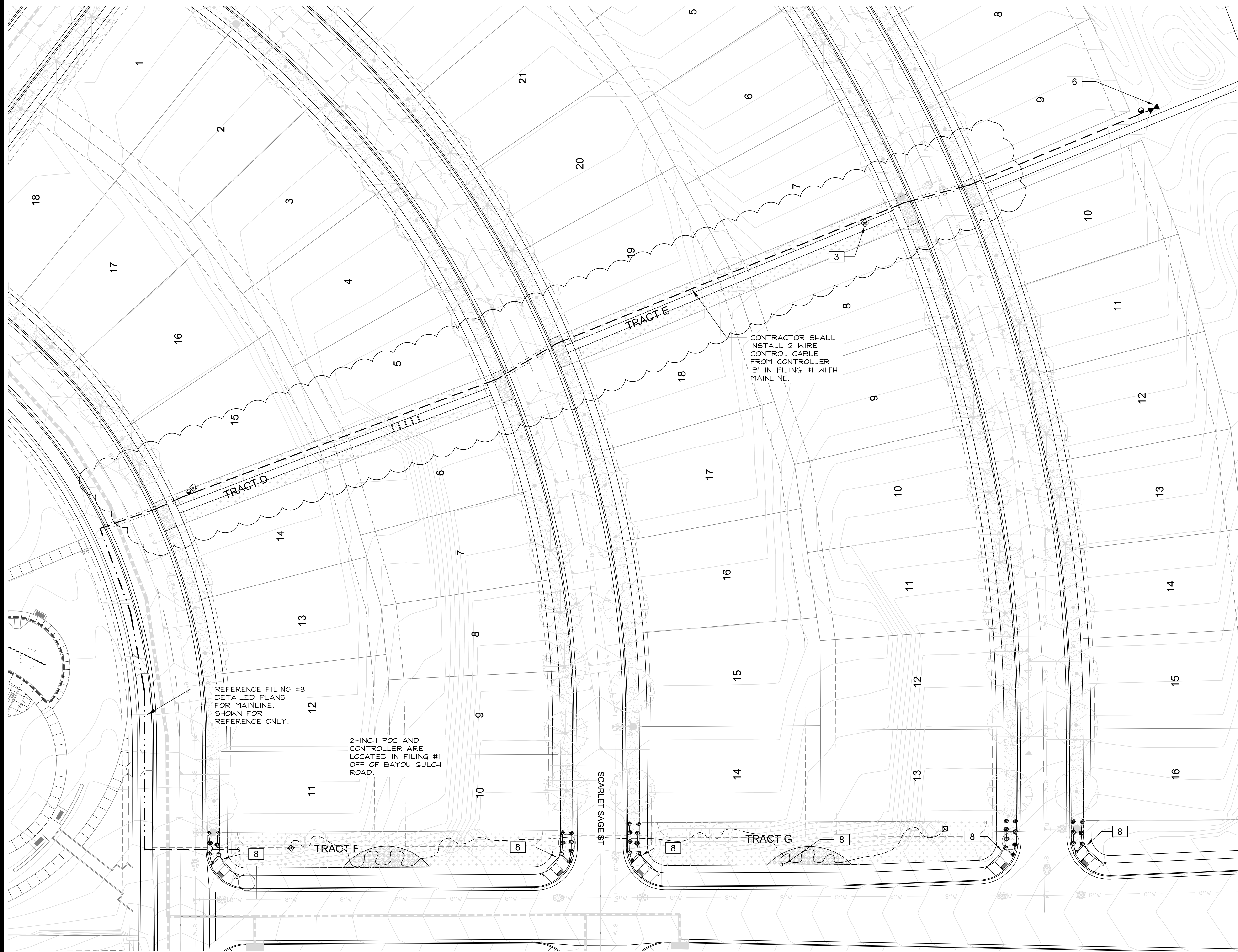
 4.13.2018
 05.24.18
 10.20.21

Sheet Name
 IRRIGATION LEGEND
 AND NOTES

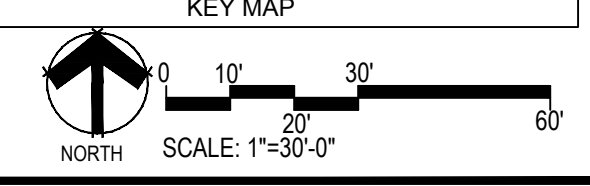
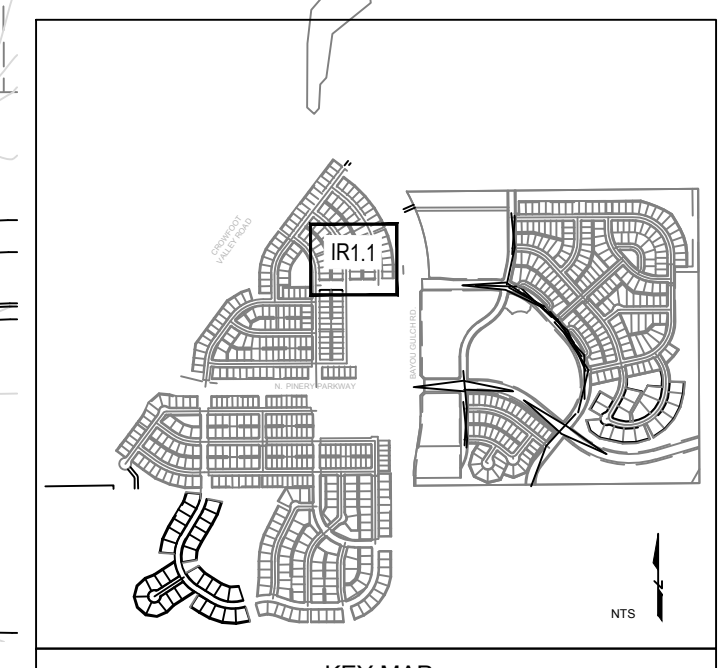
Sheet Number

IR1.0





AREA A



■ Prepared For ■
 ESX MANAGEMENT
 7353 SOUTH ALTON WAY
 CENTENNIAL, CO 80112

■ Irrigation Designer ■

 MPI Designs
 P.O. BOX 345
 Windsor, CO 80550
 970.402.3047
 Michelle@MPIDesignsllc.com

■ Engineering ■

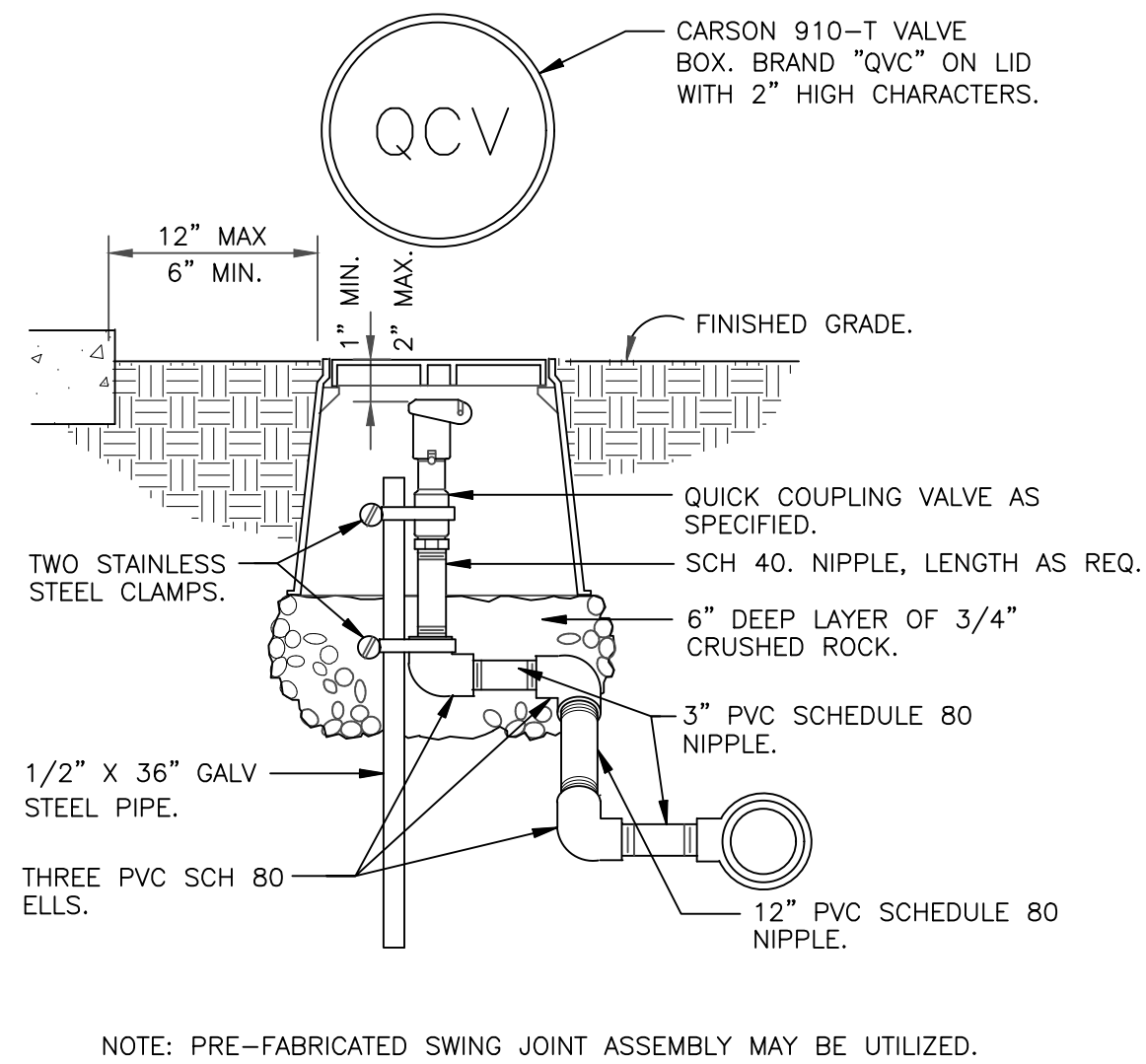
 CVL
 CONSULTANTS
 10333 E. DRY CREEK RD. #240
 ENGLEWOOD, CO 80112
 720-482-9526

TRAILS AT CROWFOOT
 FILING NO. 2
 PARKER, COLORADO
 FINAL IRRIGATION PLANS

Drawn by:	DGP/MLP
Checked by:	MLP
Submittal Date:	04.18.2017
Date:	12.15.2017
Know what's below. Call before you dig.	3.2.2018
	4.13.2018
	05.24.18
	10.20.21

■ Sheet Name ■
 IRRIGATION PLAN

■ Sheet Number ■
IR1.1

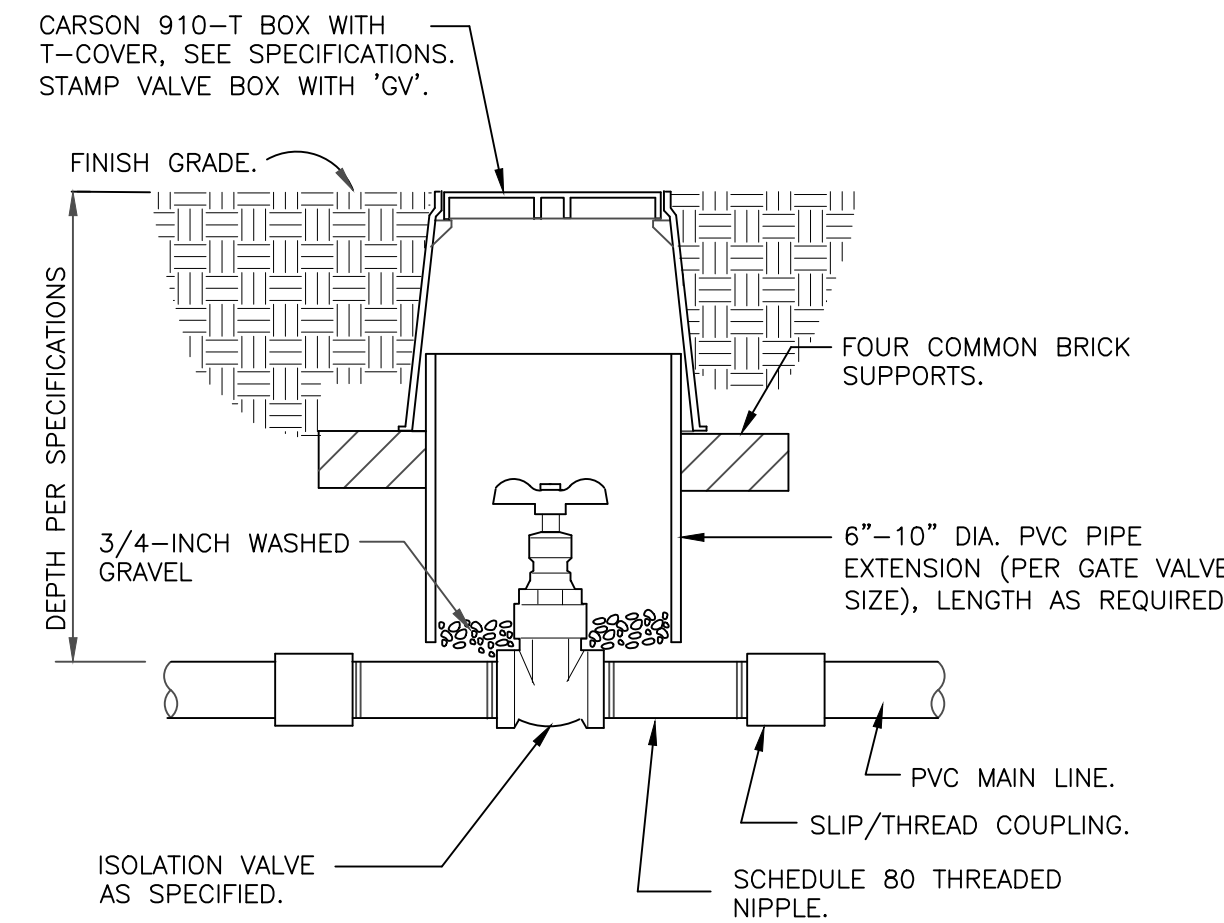


NOTE: PRE-FABRICATED SWING JOINT ASSEMBLY MAY BE UTILIZED.

QUICK COUPLING VALVE IN BOX

1 1/2" = 1'-0"

328406.43-02

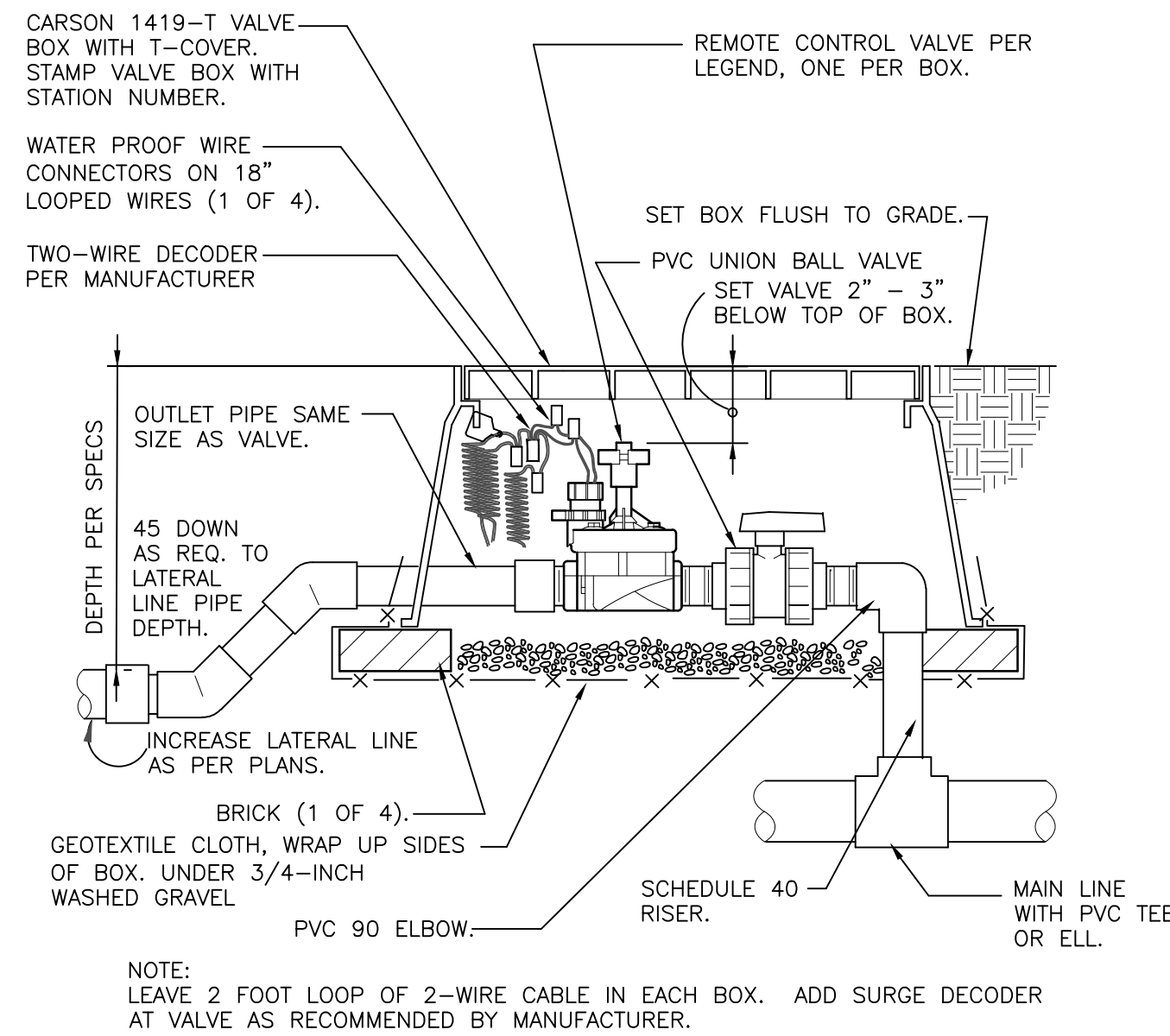


NOTE: VALVE SHALL HAVE CROSS HANDLE FOR EASE OF MAINTENANCE

ISOLATION GATE VALVE

1 1/2" = 1'-0"

328406.33-01

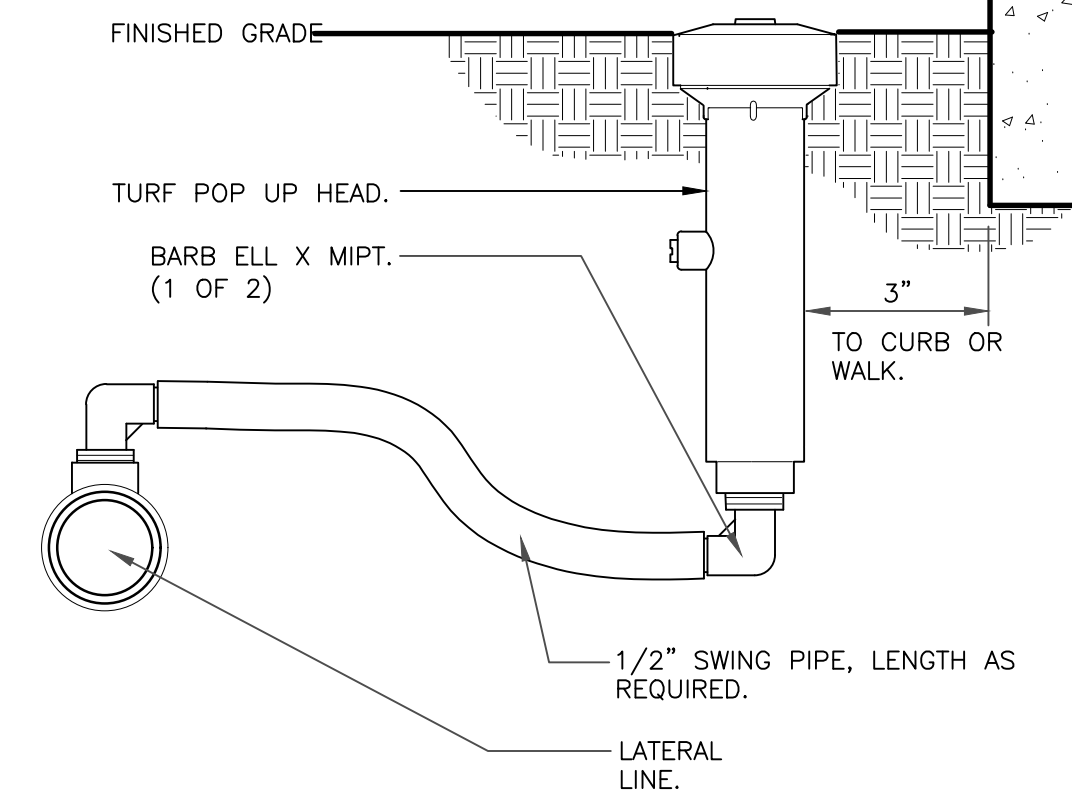


NOTE: LEAVE 2 FOOT LOOP OF 2-WIRE CABLE IN EACH BOX. ADD SURGE DECODER AT VALVE AS RECOMMENDED BY MANUFACTURER.

REMOTE CONTROL TURF VALVE W/DECODER

1 1/2" = 1'-0"

32 8406.13-06

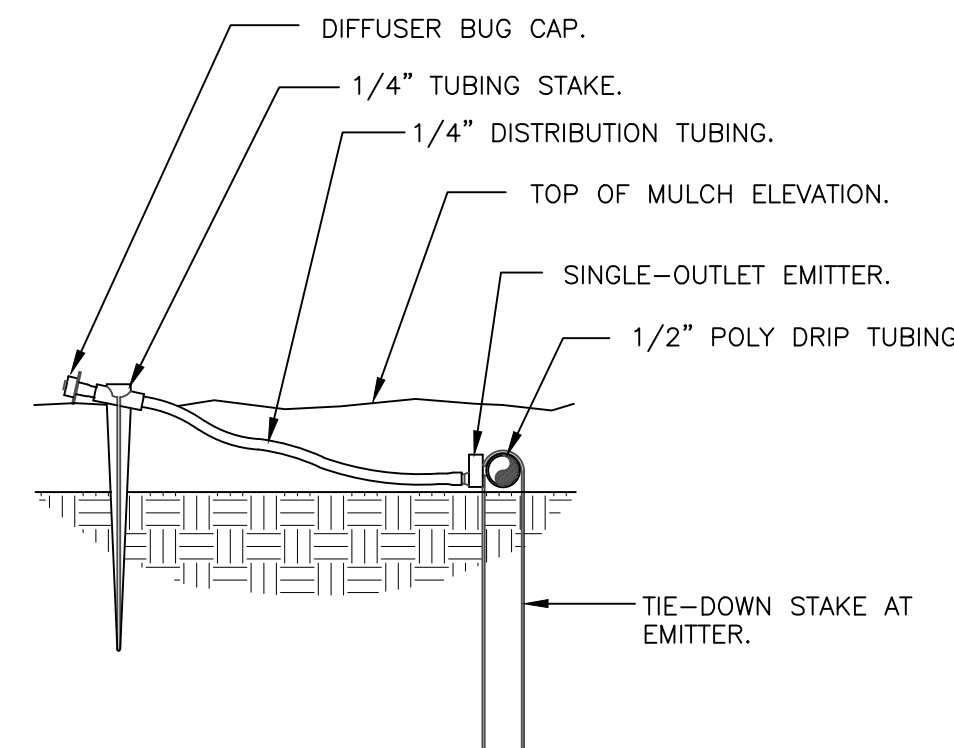


NOTES:
1. 6-INCH POP-UP RISERS SHALL BE UTILIZED IN ALL TURF/NATIVE SEEDING AREAS.
2. SIDE INLET SHALL NOT BE UTILIZED.

6-INCH POP-UP SPRAY

3" = 1'-0"

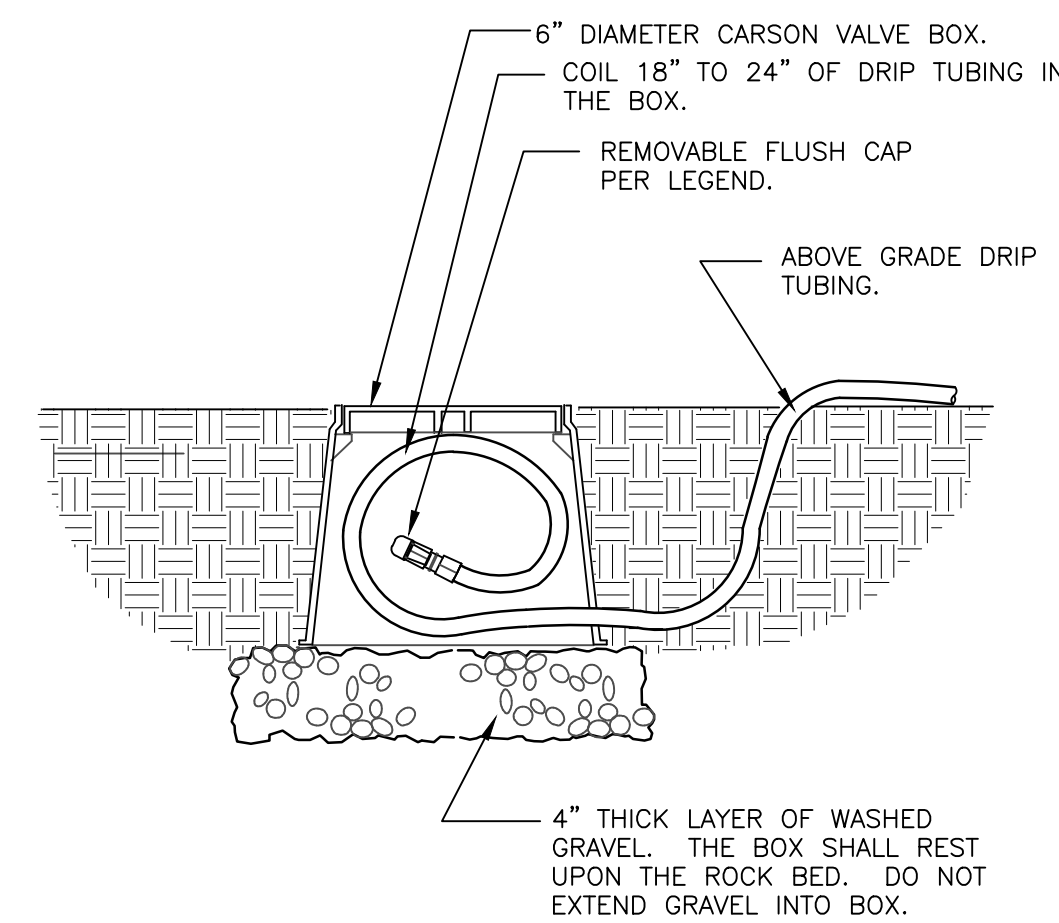
328403.13-02



DRIP EMITTER AT 1/4" TUBING

3" = 1'-0"

328413.13-03

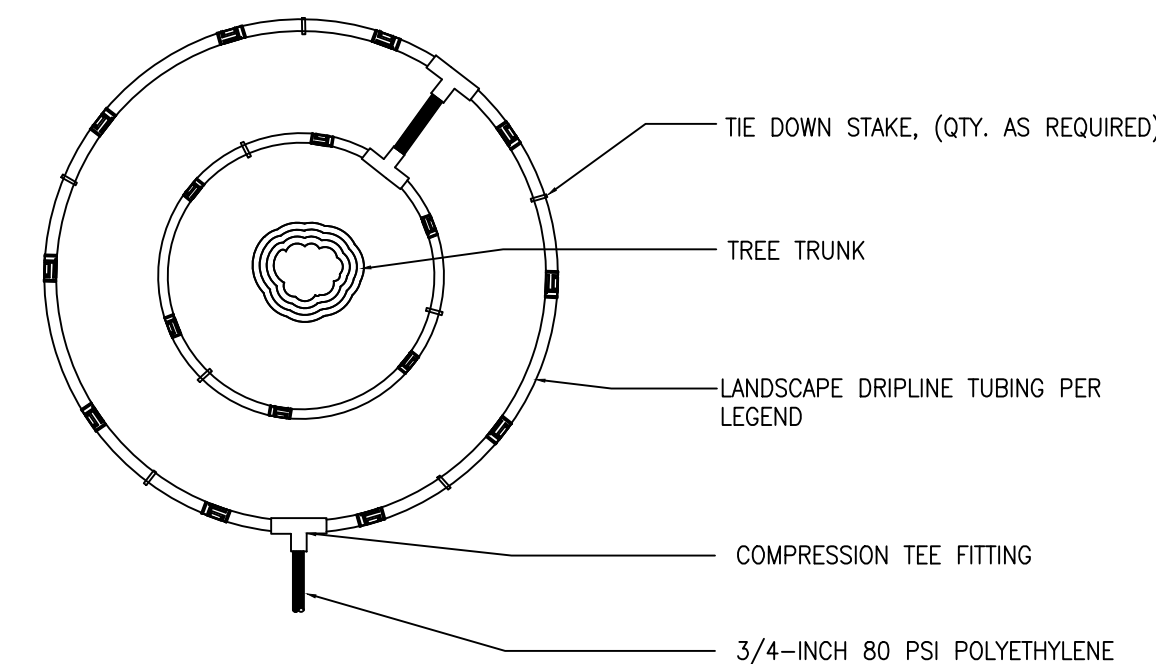


1. LOCATE FLUSH CAP ASSEMBLY AT THE END OF EACH DRIP LINE.
2. ENSURE THAT THE COILED DRIP TUBING IS OF SUFFICIENT LENGTH TO COMPLETELY EXTEND OUT OF THE VALVE BOX WHEN FLUSHING.

DRIP FLUSH CAP ASSEMBLY

1 1/2" = 1'-0"

328413.49-06

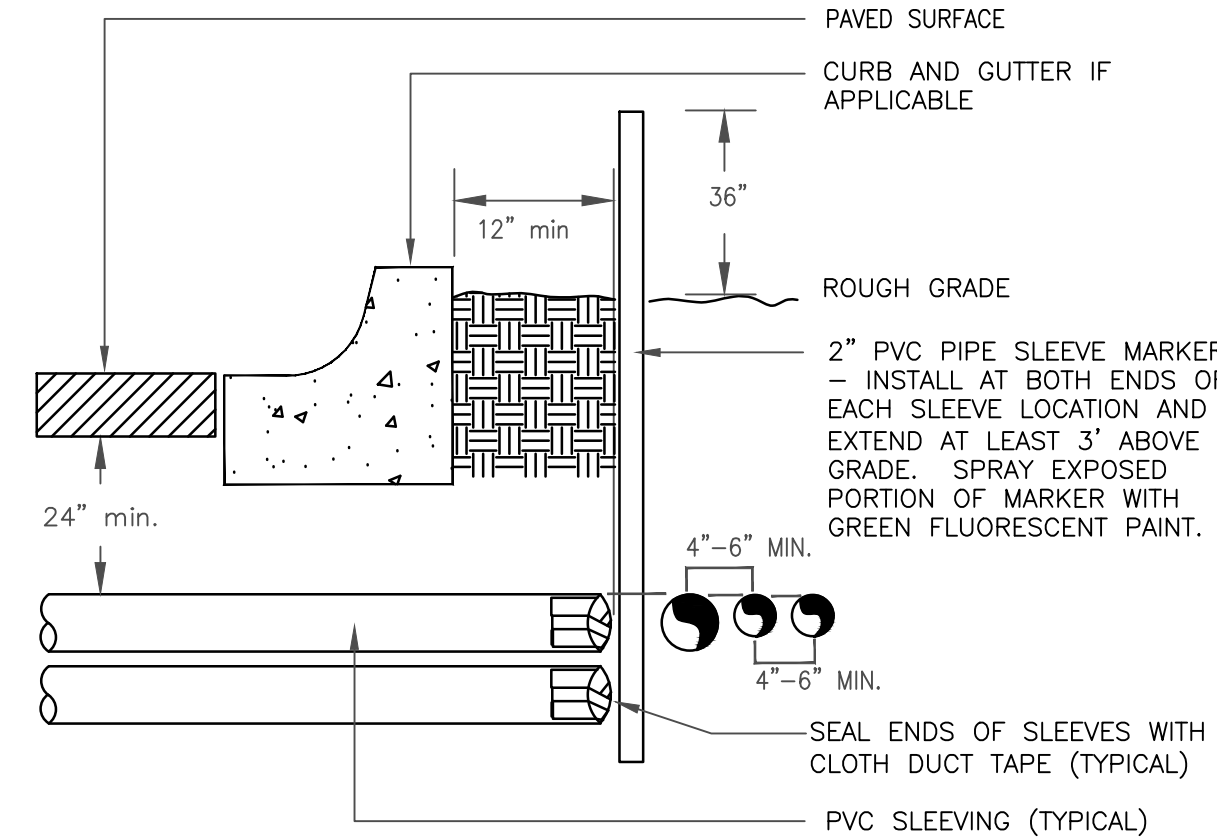


NOTE:
1. CONTRACTOR SHALL INSTALL ALL DRIP TUBING IN NATIVE AREAS 2-3" BELOW GRADE IF MULCH IS NOT PRESENT. IF MULCH IS PRESENT, LAY TUBING ON FINISHED GRADE BELOW MULCH. DIAMETER OF DRIPLINE RINGS ARE DEPENDENT ON TREE CANOPY SIZE AND SHALL BE ADJUSTED IN THE FIELD PER CONTRACTOR. SUGGESTED PLACEMENT OF 3" DIAMETER AND 5' DIAMETER AROUND TREE.
2. SHRUBS IN NATIVE SHALL UTILIZE A SINGLE TREE RING (UTILIZE INNER RING SHOWN ABOVE).
3. TREE RINGS CAN BE UTILIZED ON TREES IN SHRUB BEDS.

INLINE DRIP RING FOR PLANTS IN NATIVE

N.T.S.

328413.56-40

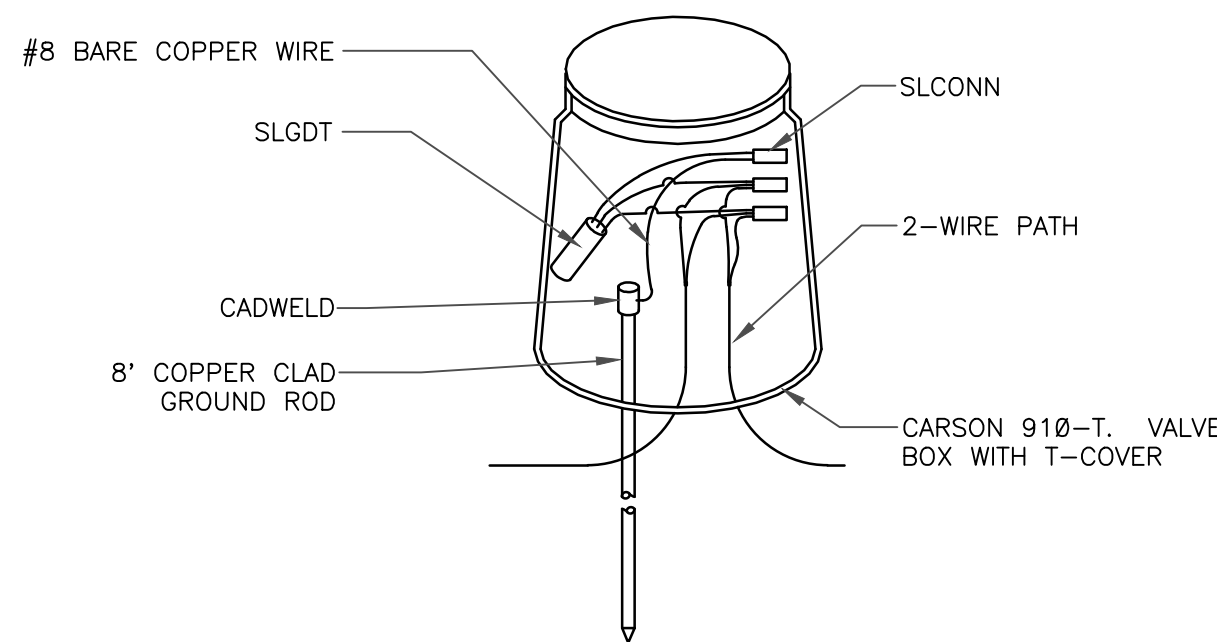


NOTE:
1) ALL SLEEVING TO BE CLASS 200 BE PVC, SIZED AS NOTED.
2) INSATLL SLEEVES IN SIDE-BY-SIDE CONFIGURATION WHERE MULTIPLE SLEEVES ARE TO BE INSTALLED. SPACE SLEEVES 4" TO 6" APART. DO NOT STACK SLEEVES VERTICALLY.

TYPICAL SLEEVE

N.T.S.

328409.76-21

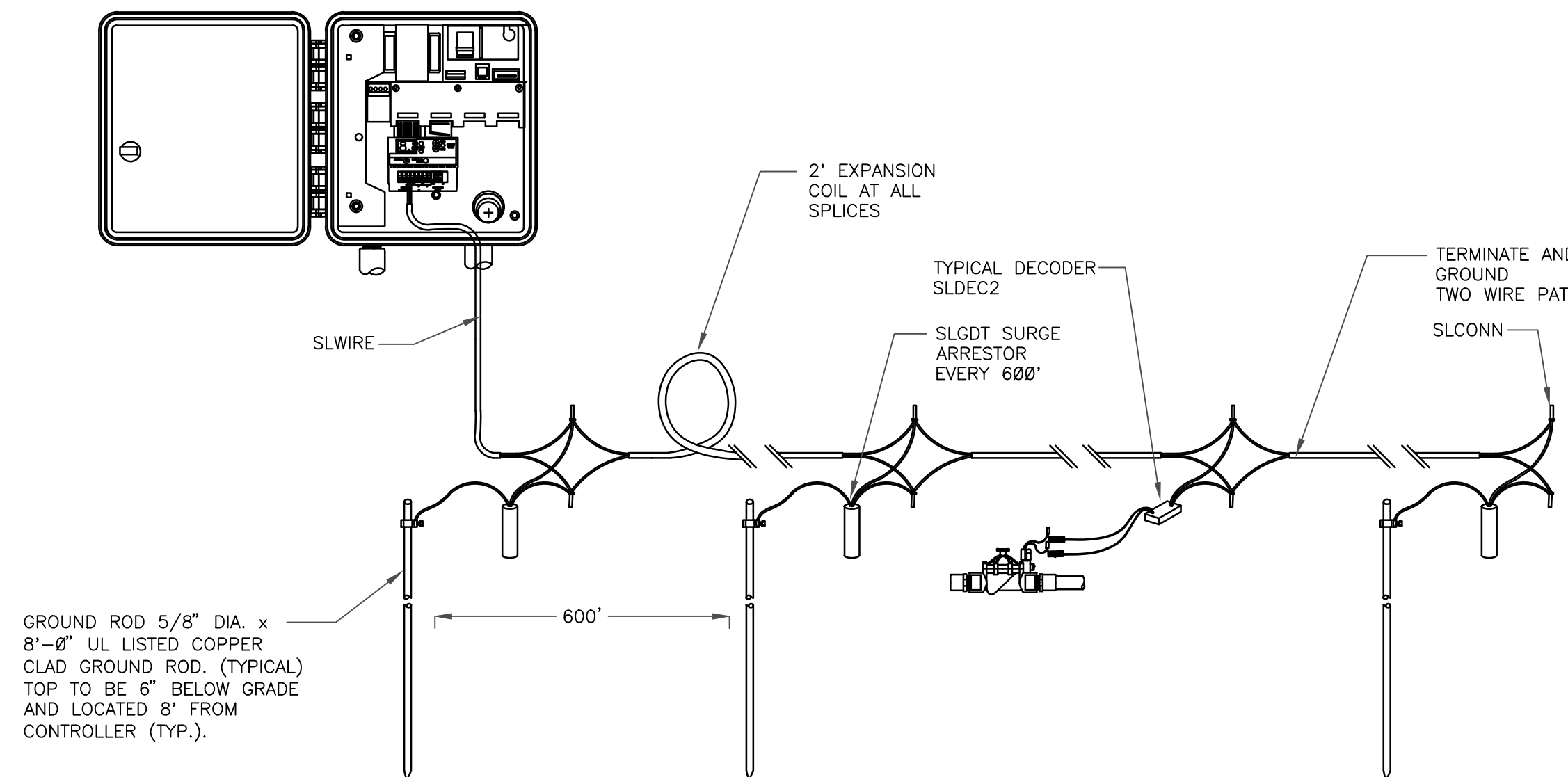


NOTES:
1. ALL ELECTRICAL WORK MUST CONFORM TO LOCAL CODES. REFER TO PRODUCT LITERATURE FOR ADDITIONAL INSTALLATION REQUIREMENTS.
2. INSTALL EVERY 600', AT CONTROLLER, AND END OF EVERY MAINLINE RUN. NOT SHOWN ON DESIGN PLANS.

LIGHTNING ARRESTOR

N.T.S.

328409.16-21



GROUND ROD 5/8" DIA. x 8'-0" UL LISTED COPPER CLAD GROUND ROD. (TYPICAL) TOP TO BE 6" BELOW GRADE AND LOCATED 8' FROM CONTROLLER (TYP.).

TYPICAL LIGHTNING ARRESTOR LAYOUT

N.T.S.

328409.16-20

Prepared For

ESX MANAGEMENT
7353 SOUTH ALTON WAY
CENTENNIAL, CO 80112

Irrigation Designer

MPI Designs
P.O. BOX 345
Windsor, CO 80550
970.402.3047
Michelle@MPIDesignsllc.com

Engineering

CVL CONSULTANTS
10333 E. DRY CREEK RD. #240
ENGLEWOOD, CO 80112
720-482-9526

TRAILS AT CROWFOOT
FILING NO. 2
PARKER, COLORADO
FINAL IRRIGATION PLANS

Drawn by: DGP/MLP
Checked by: MLP
Submittal Date: 04.18.2017
Date: 12.15.2017
Know what's below. Call before you dig.
811
3.2.2018
4.13.2018
05.24.18
10.20.21

Sheet Name
IRRIGATION DETAILS

Sheet Number

IR2.1