

LINCOLN PROFESSIONAL PARK FILING NO. 1 LOT 1 MAVERIK INC. STORE SITE PLAN

SITUATED IN THE NORTHWEST ¼ OF SECTION 15,
TOWNSHIP 6 SOUTH, RANGE 66 WEST OF THE 6TH P.M.
TOWN OF PARKER, COUNTY OF DOUGLAS, STATE OF COLORADO

PROJECT NUMBER

21-122-0001

ISSUE DATE:

JUNE 30, 2023

REVISIONS:

No.	Date	Description
1	5-24-22	CITY REVIEW
2	7-13-22	CITY REVIEW
3	10-19-22	CITY REVIEW
4	10-26-22	CITY REVIEW
5	12-08-22	CITY REVIEW
6	1-09-23	CITY REVIEW
7	3-10-23	CITY REVIEW
8	5-17-23	CITY REVIEW
9	6-30-23	CITY REVIEW

NOTE:
Bid documents should not be separated or issued as partial sets to subcontractors. Bidders are responsible for all portions of the documents that pertain to work covered by sub-bids. Bidder assumes full responsibility for error or misinterpretations resulting from partial sets of Bidding Documents by itself or any sub-bidder.

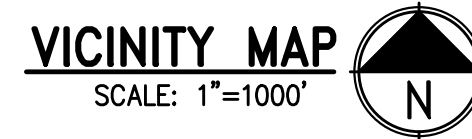
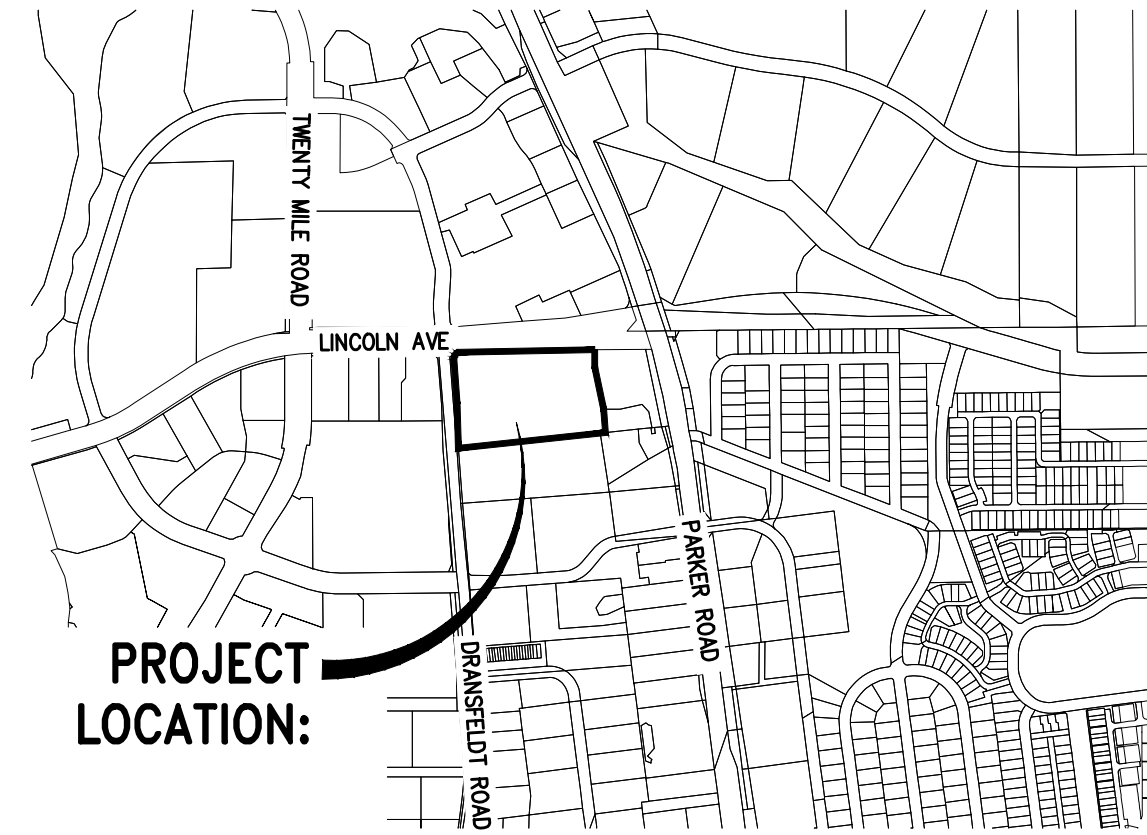
Conflicting information or errors found in the construction documents should be brought to the attention of the architect immediately. In the event of a conflict in the drawings, bidder shall not assume the least expensive option will meet the project requirements.

LEGEND:

NEW SANITARY SEWER LINE	
EXT. SANITARY SEWER LINE	
NEW STORM DRAIN LINE	
EXT. STORM DRAIN LINE	
NEW WATER LINE	
EXIST. WATER LINE	
NEW & EXIST. CATCH BASIN	
NEW & EXIST. AREA DRAIN	
STORM DRAIN MANHOLE	
SANITARY SEWER MANHOLE	
NEW & EXIST. CLEANOUT (SD & SSW)	
NEW ROOF DOWNSPOUT	
NEW & EXIST. GAS METER	
NEW & EXIST. FIRE HYDRANT	
NEW & EXIST. WATER METER	
NEW & EXIST. WATER VALVE	
FITTING WITH THRUST BLOCK	
SURFACE WATER & PIPE DIRECTION FLOW	
EXISTING CONTOUR	
NEW CONTOUR	
EXISTING SURFACE ELEVATION	
FINISHED SURFACE ELEVATION	
TOP OF WALL/TOE OF WALL	
RIP RAP	
NEW CEMENT CONCRETE	
COORDINATES, & LEADERS	
NEW CONCRETE CURB	
NEW CONCRETE CURB & GUTTER	

ABBREVIATIONS:

ACP	ASPHALT CONCRETE PAVEMENT	GV	GATE VALVE
AD	AREA DRAIN	HDPE	HIGH DENSITY POLYETHYLENE
BLDG	BUILDING	HYD	HYDRANT
BM	BENCHMARK	I.E.	INVERT ELEVATION
BNDRY	BOUNDARY	INV	INVERT
BOW	BOTTOM OF WALL	IRR	IRRIGATION WATER
CTV	CABLE TV	LF	LINEAR FEET
C&G	CURB AND GUTTER	MH	MANHOLE
CB	CATCH BASIN	MJ	MECHANICAL JOINT
CL	CLASS	P	POWER
CL	CENTER LINE	PIV	POST INDICATOR VALVE
CMP	CORRUGATED METAL PIPE	PP	POWER POLE
CONC.	CONCRETE	PL	PROPERTY LINE
CPEP	CORRUGATED POLYETHYLENE PIPE	RAD (R)	RADIUS
CTR	CENTER(ED)	RCP	REINFORCED CONCRETE PIPE
DCVA	DOUBLE CHECK VALVE ASSEMBLY	RD	ROAD
DDCV	DOUBLE DETECTOR CHECK VALVE	RET	RETAINING
D.I.	DUCTILE IRON	ROW	RIGHT OF WAY
DIA (ø)	DIAMETER	SD	STORM DRAIN
DIM	DIMENSION	S.F.	SQUARE FEET
DS	DOWN SPOUT	SS	SANITARY SEWER
EL.=	ELEVATION	STA	STATION
EOP	EDGE OF PAVEMENT	TOE	TOE OF WALL, OR SLOPE
FD	FLOOR DRAIN	T	TELEPHONE WIRE
FDC	FIRE DEPARTMENT CONNECTION	TBM	TEMPORARY BENCH MARK
FFE	FINISH FLOOR ELEVATION	T.C.	TOP OF CURB
FH	FIRE HYDRANT FL FLANGED	TG	TOP OF GRATE
G	GAS MAIN	TOP	TOP OF SLOPE
GB	GRADE BREAK	TOW	TOP OF WALL
GM	GAS METER	TV	TELEVISION WIRE
GRD	GRADE		



SHEET INDEX

COVER SHEET	1
NOTES	2
EXISTING CONDITIONS	3
HORIZONTAL CONTROL PLAN	4
SITE PLAN	5
GRADING PLAN	6
FUEL AREA GRADING DETAIL	7
SITE DETAILS	8-11
LANDSCAPE PLAN	12
LANDSCAPE DETAILS	13
IRRIGATION PLAN	14
IRRIGATION DETAILS	15
BUILDING ELEVATIONS	16-21
BUILDING FLOOR PLAN	22-23
BUILDING ROOF PLAN	24
BUILDING MATERIALS	25
PHOTOMETRICS	26.0-26.2

LEGAL DESCRIPTION

LINCOLN PROFESSIONAL PARK FILING 1, LOT 1

BASIS OF BEARING

BEARINGS ARE BASED ON THE NORTH LINE OF THE NORTHWEST QUARTER OF SECTION 15, TOWNSHIP 6 SOUTH, RANGE 66 WEST OF THE 6TH PRINCIPAL MERIDIAN, AS MONUMENTED AT BOTH THE NORTHWEST QUARTER CORNER AND THE NORTH QUARTER CORNER BY 3.25" ALUMINUM CAPS, ASSUMED TO BEAR SOUTH 89°29'00" WEST.

VERTICAL DATUM/BENCHMARK:

BENCHMARK IS THE NW CORNER SECTION 15, T6S S R66W, BEING A 3.5" ALUMINUM CAP LS 19003 1999 IN RANGE BOX.

ELEVATION=5806.79' NAVD 88.

SITE DATA:

ZONING: COMMERCIAL			
LAND USE	(SF)	(AC)	(% TOTAL)
BUILDING AREA	6,089	0.14	10.30%
FUEL CANOPY	4,290	0.10	7.26%
INTERNAL DRIVES/PARKING	26,875	0.62	45.48%
CONCRETE/SIDEWALKS	9,326	0.21	15.78%
LANDSCAPE	12,515	0.29	21.18%
TOTAL	59,095	1.36	100.00%
PARKING		REQUIRED	PROVIDED
VEHICLE STALLS		24	29
(1 PARKING SPACE/250 SF OF BLDG SPACE)			
ADA/VAN ACCESSIBLE STALLS		2	2
TOTAL STALLS		26	31
BICYCLE PARKING		2	2

PROJECT TEAM:

DEVELOPER/APPLICANT:

MAVERIK INC.
185 S. STATE STREET, SUITE 800
SALT LAKE CITY, UT 84111
CONTACT: CASSIE YOUNGER
PHONE: (801) 936-5557

CIVIL ENGINEER:

DCI ENGINEERS
1331 17TH STREET SUITE 605
DENVER, CO 80202
CONTACT: MANNY NUNO, P.E.
PHONE: (720) 464-7728

LANDSCAPE ARCHITECT:

RUSSELL MILLS STUDIO
2245 CURTIS STREET SUITE 100
DENVER, CO 80205
CONTACT: MATE STARK, R.L.A.
PHONE: (303) 709-0704

APPLICANT:

DCI ENGINEERS
1331 17TH STREET, SUITE 605
DENVER, COLORADO 80202
MANUEL NUNO P.E. (720) 439-4700

ARCHITECT:

PRESCOTT MUIR ARCHITECTS
171 W. PIERPONT AVE.
SALT LAKE CITY, UT 84101
CONTACT: MEGAN CLARK
PHONE: (801) 521-9111

MEP:

CPD GROUP
5050 QUORUM DR. SUITE 338
DALLAS, TX 75254
CONTACT: MATHEW BETSILL
PHONE: (469) 573-4311

CONTRACTOR NOTE:

ALL EXISTING UTILITIES SHOWN ON PLANS ARE TO BE VERIFIED HORIZONTALLY AND VERTICALLY PRIOR TO ANY CONSTRUCTION. ALL EXISTING FEATURES INCLUDING BURIED UTILITIES ARE SHOWN AS INDICATED ON RECORD MAPS AND SURVEYS FURNISHED BY OTHERS. WE ASSUME NO LIABILITY FOR THE ACCURACY OF THOSE RECORDS AND SURVEYS. CONTACT THE UTILITY OWNER/AGENCY FOR THE FINAL LOCATION OF EXISTING UTILITIES IN AREAS CRITICAL TO CONSTRUCTION.



COVER SHEET

1 OF 26



MAVERIK INC. STORE
LINCOLN AVE. AND DRANSFELDT RD.
PARKER, CO
SITE PLAN



1331 17TH STREET SUITE 605
DENVER, COLORADO 80202
PHONE: (720) 439-4700
WWW.DCI-ENGINEERS.COM
DCI ENGINEERS / STRUCTURAL
© Copyright 2023 DCI ENGINEERS, Inc. All Rights Reserved.

LINCOLN PROFESSIONAL PARK FILING NO. 1 LOT 1 MAVERIK INC. STORE SITE PLAN

SITUATED IN THE NORTHWEST ¼ OF SECTION 15,
TOWNSHIP 6 SOUTH, RANGE 66 WEST OF THE 6TH P.M.
TOWN OF PARKER, COUNTY OF DOUGLAS, STATE OF COLORADO

STORM INFRASTRUCTURE NOTES:

- ALL STORM DRAINAGE IMPROVEMENTS ARE SUBJECT TO COMPLIANCE WITH THE COLORADO DEPARTMENT OF TRANSPORTATION (CDOT) CURRENT EDITION OF THE STANDARD SPECIFICATIONS FOR ROAD AND BRIDGE CONSTRUCTION, M & S STANDARDS, AND ALL STANDARD SPECIAL PROVISIONS CURRENTLY USED BY CDOT, WITH THE MODIFICATIONS SET FORTH IN THE TOWN OF PARKER'S STORM DRAINAGE AND ENVIRONMENTAL CRITERIA MANUAL (SDECM), AS AMENDED.
- THE CONTRACTOR SHALL COMPLY WITH THE "COLORADO WATER QUALITY CONTROL ACT" (TITLE 25, ARTICLE 8 CRS), THE "PROTECTION OF FISHING STREAMS" TITLE 33, ARTICLE 5, CRS), THE "CLEAN WATER ACT" (33 USC 1344), CHERRY CREEK RESERVOIR CONTROL REGULATION NO. 72" (5 CCR 1002-72), THE REGULATION PROMULGATED, CERTIFICATION OR PERMITS ISSUES, AND THE REQUIREMENTS PRESENTED IN THE SDECM REVISION TO SECTION 107 AND THE CONSTRUCTION BMP PLAN. IN THE EVENT OF CONFLICTS BETWEEN THESE REQUIREMENTS AND WATER QUALITY CONTROL LAWS, RULES, OR REGULATIONS OF OTHER FEDERAL, OR STATE AGENCIES, THE MORE RESTRICTIVE LAWS, RULES, OR REGULATIONS SHALL APPLY.
- INSPECTIONS: CONSTRUCTION SHALL NOT BEGIN UNTIL A GRADING PERMIT HAS BEEN ISSUED FOR THE PROJECT. THE CONTRACTOR SHALL NOTIFY THE TOWN OF PARKER ENGINEERING DEPARTMENT (PUBLIC WORKS) TO SCHEDULE INSPECTIONS A MINIMUM OF 48 HOURS PRIOR TO THE CONSTRUCTION OF ALL DRAINAGE INFRASTRUCTURE (STORM SEWERS, INLETS, MANHOLES, ENERGY DISSIPATORS, RIPRAP, GROUDED BOULDERS, DETENTION POND OUTLET STRUCTURES, FOREBAYS, TRICKLE CHANNELS, ETC). FAILURE TO NOTIFY THE ENGINEERING DEPARTMENT FOR INSPECTIONS MAY RESULT IN NON-ACCEPTANCE OF THE INFRASTRUCTURE BY THE TOWN. URBAN DRAINAGE AND FLOOD CONTROL DISTRICT MUST ALSO BE NOTIFIED IN A SIMILAR MANNER FOR ALL MAINTENANCE ELIGIBLE DRAINAGE INFRASTRUCTURES (CONSULT WITH STORMWATER ENGINEERING DIVISION).
- STRUCTURAL BACKFILL (CDOT CLASS 1) SHALL BE COMPACTED TO CONFORM TO CDOT STANDARD SPECIFICATION 203.03. STRUCTURAL BACKFILL (CDOT CLASS 2) SHALL CONFORM TO CDOT STANDARD SPECIFICATION 203.07. AT THE CONTRACTOR'S OPTION, STRUCTURAL BACKFILL (SQUEESEE) MEETING THE GRADATION REQUIREMENTS CONTAINED IN REVISION OF SECTION 206 OF THE CDOT STANDARD SPECIFICATIONS AS PRESENTED IN THE SDECM, MAY BE SUBSTITUTED FOR STRUCTURE BACKFILL (CLASS 1 OR CLASS 2) FOR BACKFILLING OF CULVERT PIPES, STORM SEWER PIPES, MANHOLES AND INLET STRUCTURES; HOWEVER, THE TOP 2 FEET BELOW SUBGRADE ELEVATION SHALL BE THE REQUIRED EMBANKMENT MATERIAL.
- ALL EXCAVATIONS SHALL MEET OSHA REQUIREMENTS.
- TESTING: PROBATIONARY ACCEPTANCE OF STORM DRAINAGE IMPROVEMENTS WILL BE CONTINGENT UPON SATISFACTORY TESTING RESULTS. IN ALL CASES WHERE TESTS INDICATE COMPACTION LESS THAN THAT REQUIRED BY TOWN SPECIFICATIONS, ADDITIONAL COMPACTION AND TESTS WILL BE REQUIRED UNTIL THE SPECIFICATIONS ARE MET. FREQUENCY OF TESTING WILL BE AS FOLLOWS:
 - 1 TEST FOR SUBGRADE AND 1 TEST FOR BACKFILL AT EVERY ABOVE GROUND APPURTENANCE (MANHOLES, INLETS, ETC)
 - 1 TEST EVERY 200 LF OF MAINLINE TRENCH EVERY 1 FOOT OF BACKFILL LIFT AND WITHIN 1 FOOT FROM ALL STRUCTURES.
- ALLOWABLE STORM SEWER CONDUIT MATERIAL WITHIN THE TOWN OF PARKER SHALL BE LIMITED TO REINFORCED CONCRETE PIPE (RCP) CONFORMING TO CDOT STANDARD SPECIFICATION 706.02.
- ALL RCP JOINTS SHALL BE MANUFACTURED IN ACCORDANCE WITH ASTM C443. RUBBER GASKETS SHALL BE USED ON ALL PIPE JOINTS CONFORMING TO ASTM C443. ALL RCP SECTIONS SHALL BE JOINED IN SUCH A MANNER THAT THE ENDS ARE FULLY ENTERED AND THE INNER SURFACES ARE REASONABLY FLUSH. AVERAGE JOINT GAP THAT EXCEEDS ¼ INCH SHALL BE FILLED WITH AN APPROVED FLEXIBLE PLASTIC SEALANT.
- JOINT RESTRAINTS AND TOE-WALLS, CONFORMING TO CDOT M&S STANDARD PLAN NO. M-601-11 SHALL BE USED ON ALL RCP FLARED END SECTION OUTFALLS.
- EPOXY COATED REBAR SHALL BE USED AS REINFORCING STEEL ON ALL STORM INLETS AND STRUCTURES. REFERENCE CDOT M&S STANDARD PLAN NO. M-604-10, 11, 12, AND 13.
- CDOT CLASS D CONCRETE SHALL BE USED FOR ALL CONCRETE DRAINAGE STRUCTURES.
- PRE-CAST INLETS AND MANHOLE BASES SHALL NOT BE USED WITHIN THE TOWN OF PARKER RIGHT-OF- WAY, WITH THE EXCEPTION OF CDOT TYPE C AND D INLETS.
- TWO- (2) MANHOLE ACCESS POINTS ARE REQUIRED ON ALL TYPE "R" CURB INLETS GREATER THAN OR EQUAL TO TEN (10) FEET IN LENGTH AS PRESENTED IN CDOT M&S STANDARD PLAN NO. M-604-12.
- ALL GROUTING (BOULDERS, RIPRAP) SHALL BE IN ACCORDANCE WITH THE REVISION OF SECTION 506 OF THE CDOT STANDARD SPECIFICATIONS AS PRESENTED IN THE SDECM.
- ALL BOULDERS AND RIPRAP SHALL BE SELECTED AND PLACED IN ACCORDANCE WITH THE REVISION OF SECTION 506 OF THE CDOT STANDARD SPECIFICATIONS AS PRESENTED IN THE SDECM.
- CONTRACTOR SHALL REFER TO THE TOWN OF PARKER'S CONSTRUCTION BEST MANAGEMENT PRACTICES DETAILS AND NOTES FOR ALL REQUIREMENTS RELATING TO RE-VEGETATION, SEDIMENT AND EROSION CONTROL REQUIREMENTS FOR CONSTRUCTION ACTIVITIES.
- PIPE BELLS SHALL NOT BE CAST INTO MANHOLE BASES OR INLETS.

STANDARD CONSTRUCTION NOTES:

- ALL MATERIALS AND CONSTRUCTION SHALL BE IN CONFORMANCE WITH THE LATEST EDITION OF THE COLORADO DEPARTMENT OF TRANSPORTATION STANDARD SPECIFICATIONS FOR ROAD AND BRIDGE CONSTRUCTION, THE LATEST EDITION OF THE TOWN OF PARKER ROADWAY DESIGN AND CONSTRUCTION CRITERIA MANUAL, AND THE TOWN OF PARKER STORM DRAINAGE AND ENVIRONMENTAL CRITERIA MANUAL.
- ALL MATERIALS AND WORKMANSHIP SHALL BE SUBJECT TO INSPECTION BY THE TOWN OF PARKER PUBLIC WORKS DEPARTMENT. THE TOWN RESERVES THE RIGHT TO ACCEPT OR REJECT ANY SUCH MATERIALS AND WORKMANSHIP THAT DOES NOT CONFORM TO ITS STANDARDS AND SPECIFICATIONS.
- A PRECONSTRUCTION MEETING SHALL BE SCHEDULED A MINIMUM OF 48 HOURS AND A MAXIMUM OF 96 HOURS PRIOR TO THE START OF CONSTRUCTION. A PRECONSTRUCTION MEETING WILL NOT BE SCHEDULED UNTIL THE GRADING PERMIT AND ALL OTHER NECESSARY PERMITS HAVE BEEN OBTAINED.
- THE TOWN INSPECTOR SHALL BE CONTACTED A MINIMUM OF 24 HOURS PRIOR TO A NECESSARY INSPECTION. IF A TOWN INSPECTOR IS NOT AVAILABLE AFTER PROPER NOTICE OF CONSTRUCTION ACTIVITY HAS BEEN PROVIDED, THE PERMITTEE MAY COMMENCE WORK IN THE TOWN INSPECTOR'S ABSENCE. HOWEVER, THE TOWN OF PARKER RESERVES THE RIGHT TO REJECT THE IMPROVEMENT IF SUBSEQUENT TESTING REVEALS AN IMPROPER INSTALLATION.
- LOCATION OF EXISTING UTILITIES SHALL BE VERIFIED BY THE CONTRACTOR PRIOR TO ACTUAL CONSTRUCTION IN ACCORDANCE WITH ALL STATE AND LOCAL LAWS. THE CONTRACTOR SHALL FIELD VERIFY SIZE AND HORIZONTAL AND VERTICAL LOCATIONS OF EXISTING FACILITIES PRIOR TO CONSTRUCTION, AND NOTIFY THE ENGINEER OF ANY DISCREPANCIES.
- THE CONTRACTOR SHALL HAVE ONE (1) SIGNED COPY OF THE PLANS, APPROVED BY THE TOWN OF PARKER DIRECTOR OF ENGINEERING/PUBLIC WORKS, AND ONE (1) COPY OF THE ROADWAY DESIGN AND CONSTRUCTION CRITERIA AT THE JOB SITE AT ALL TIMES.
- A PLAN FOR TRAFFIC CONTROL DURING CONSTRUCTION SHALL BE SUBMITTED TO THE TOWN OF PARKER FOR ACCEPTANCE WITH THE RIGHT-OF-WAY USE PERMIT APPLICATION. A PERMIT WILL NOT BE ISSUED WITHOUT AN APPROVED TRAFFIC CONTROL PLAN FOR USE DURING CONSTRUCTION.
- ALL TRENCHES SHALL BE ADEQUATELY SUPPORTED AND THE SAFETY OF WORKERS PROVIDED FOR AS REQUIRED BY THE MOST RECENT OCCUPATIONAL SAFETY AND HEALTH ADMINISTRATION (OSHA) "SAFETY AND HEALTH REGULATIONS FOR CONSTRUCTION."
- COMPACTION OF ALL TRENCHES MUST BE ATTAINED AND COMPACTION TEST RESULTS SUBMITTED TO THE DEVELOPMENT REVIEW ENGINEER IN PRELIMINARY FORM PRIOR TO PAVING AND IN FINAL FORM PRIOR TO PROBATIONARY ACCEPTANCE.
- THE CONTRACTOR IS RESPONSIBLE FOR IMPLEMENTING AND MAINTAINING EROSION AND SEDIMENT CONTROL MEASURES AT ALL TIMES DURING CONSTRUCTION. THE PLAN MAY BE MODIFIED AS FIELD CONDITIONS WARRANT WITH APPROVAL FROM THE TOWN OF PARKER PUBLIC WORKS DEPARTMENT.
- THE CONTRACTOR SHALL PROVIDE, ERECT AND MAINTAIN PROPER TRAFFIC CONTROL DEVICES UNTIL THE SITE IS OPEN TO TRAFFIC. THE CONTRACTOR SHALL SUBMIT A TRAFFIC CONTROL PLAN TO THE TOWN OF PARKER PUBLIC WORKS DEPARTMENT FOR APPROVAL PRIOR TO CONSTRUCTION.
- PLANS ARE APPROVED FOR PERIOD OF 1 (ONE) YEAR FROM THE DATE SHOWN ON THE TOWN OF PARKER SIGNATURE BLOCK. PLANS SHALL BE RESUBMITTED TO THE TOWN FOR APPROVAL AFTER 1 YEAR. THE COST OF THE PLAN RE-REVIEW AND RE-ACCEPTANCE WILL BE CHARGED BACK TO THE DEVELOPER INCLUDING ALL TIME AND EXPENSES OF THE TOWN OF PARKER PUBLIC WORKS DEPARTMENT.
- REPAIR OF ANY DAMAGE TO EXISTING IMPROVEMENTS OR LANDSCAPING IS THE RESPONSIBILITY OF THE CONTRACTOR. SUCH RESTORATION MAY BE REQUIRED TO BE COMPLETED PRIOR TO ACCEPTANCE OF COMPLETED IMPROVEMENTS.
- ALL DAMAGED EXISTING CURB, GUTTER, AND SIDEWALK SHALL BE REPAIRED PRIOR TO ACCEPTANCE OF COMPLETED IMPROVEMENTS.
- ALL CONSTRUCTION ACTIVITIES MUST COMPLY WITH THE STATE OF COLORADO PERMITTING PROCESS FOR "STORMWATER DISCHARGES ASSOCIATED WITH CONSTRUCTION ACTIVITY." FOR INFORMATION, PLEASE CONTACT COLORADO DEPARTMENT OF HEALTH, WATER QUALITY CONTROL DIVISION, WQCD-PE-B2, 4300 CHERRY DRIVE SOUTH, DENVER, COLORADO 80222-1530. ATTENTION: PERMITS AND ENFORCEMENT SECTION. PHONE (303) 692-3500.
- IF DEWATERING IS REQUIRED, A STATE CONSTRUCTION DEWATERING DISCHARGE PERMIT IS REQUIRED FOR DISCHARGES TO A STORM SEWER, CHANNEL, IRRIGATION DITCH, ANY STREET THAT IS TRIBUTARY TO THE AFOREMENTIONED FACILITIES, OR ANY WATER OF THE UNITED STATES.
- ALL REFERENCES TO BOOKS, PAGES, MAPS, AND RECEPTION NUMBER ARE PUBLIC DOCUMENTS ON FILE WITH THE COUNTY CLERK AND RECORDER'S OFFICE.

SIGNAGE AND STRIPING NOTES:

- ALL TRAFFIC CONTROL DEVICES SHALL CONFORM TO THE MOST RECENT VERSION OF THE FEDERAL MANUAL ON UNIFORM TRAFFIC CONTROL DEVICES (MUTCD), COLORADO SUPPLEMENTAL MUTCD, AND THE TOWN OF PARKER ROADWAY DESIGN AND CONSTRUCTION CRITERIA MANUAL. FURTHER SPECIFICATIONS AND ILLUSTRATIONS ARE LOCATED IN THE COLORADO DEPARTMENT OF TRANSPORTATION (CDOT) M AND S STANDARDS.
- A FIELD INSPECTION OF LOCATION AND INSTALLATION OF ALL SIGNS AND MARKINGS SHALL BE PERFORMED BY THE TOWN OF PARKER.
- THE CONTRACTOR INSTALLING SIGNS SHALL BE RESPONSIBLE FOR THE LOCATING AND PROTECTING OF ALL UNDERGROUND UTILITIES.
- TYPE III (LIGHTED) BARRICADES SHALL BE SET AT THE ENDS OF ROADWAYS SEPARATING FINISHED (AND/OR ACCEPTED) AND UNFINISHED CONSTRUCTION AREAS AND SHALL BE MAINTAINED BY THE CONTRACTOR/DEVELOPER. A "ROAD CLOSED AHEAD" AND "TO BE EXTENDED" WARNING SIGNS SHALL BE INSTALLED APPROPRIATELY IN ADVANCE OF THE TYPE III BARRICADES.
- SPECIAL CARE SHALL BE TAKEN IN SIGN LOCATIONS TO ENSURE AN UNOBSTRUCTED VIEW OF EACH SIGN.
- WHERE STOP SIGN CONTROL IS APPROPRIATE, 36 INCH STOP SIGNS SHALL BE USED FOR APPROACHES TO ANY ROADWAY THAT IS CLASSIFIED AS A COLLECTOR OR GREATER.
- A 7 FOOT MINIMUM POST LENGTH SHALL BE MAINTAINED FROM THE BOTTOM OF THE SIGN PANEL TO THE GROUND. THIS REQUIREMENT FOR VERTICAL CLEARANCE IS FOR ALL SIGNS.
- DELINEATION OF ROADWAYS SHALL BE AS SPECIFIED IN THE COLORADO DEPARTMENT OF TRANSPORTATION M AND S STANDARDS.
- RAISED MEDIAN ISLAND NOSES SHALL HAVE R4-7 SIGNS AT EACH END AND A 4'X12" HIGH INTENSITY YELLOW SIGN BLANK LOCATED MIDWAY BETWEEN THE R4-7 SIGN AND FINISHED GRADE ON EACH POST.
- SIGNAGE AND STRIPING HAS BEEN DETERMINED BY INFORMATION AVAILABLE AT THE TIME OF REVIEW. PRIOR TO THE INITIATION OF ANY WARRANTY PERIOD, THE TOWN OF PARKER RESERVES THE RIGHT TO REQUIRE MODIFICATIONS TO EXISTING, OR INSTALLATION OF, ADDITIONAL SIGNAGE AND/OR PAVEMENT MARKING IF IT IS DETERMINED THAT CONDITIONS WARRANT SUCH MODIFICATION ACCORDING TO THE MUTCD OR THE CDOT M AND S STANDARDS. ALL SIGNAGE AND STRIPING SHALL FALL UNDER THE REQUIREMENTS OF THE TWO-YEAR WARRANTY PERIOD FOR NEW CONSTRUCTION. ADDITIONALLY, ALL PAVEMENT MARKINGS SHALL NOT LIFT OR PEEL DURING THE FIRST YEAR AFTER INSTALLATION.
- DIAMOND GRADE MATERIAL SHALL BE USED ON ALL STOP SIGNS AND OVERHEAD SIGNS. ALL OTHER ROADSIDE TRAFFIC CONTROL DEVICES SHALL USE HIGH INTENSITY GRADE SHEETING. NO FLUORESCENT YELLOW GREEN SHEETING SHALL BE USED UNLESS SPECIFICALLY APPROVED BY THE TOWN OF PARKER.
 - ALL STREET NAME SIGNS SHALL BE HIGH INTENSITY, EXTRUDED, GREEN AND WHITE BLADES. ARTERIAL AND COLLECTOR STREET NAME SIGNS SHALL BE 9 INCH BLADES AND HAVE MIXED CASE LETTERING. LOCAL STREET NAME SIGNS SHALL BE 6 INCHES BLADES WITH MIXED CASE LETTERING.
- ALL LAYOUTS FOR INTERNALLY ILLUMINATED STREET NAME SIGNS SHALL BE SUBMITTED TO THE TOWN FOR REVIEW AND APPROVAL PRIOR TO FABRICATION.
- ALL REMOVED SIGNS SHALL BE RETURNED TO THE TOWN OF PARKER.
 - SHALL BE LONGITUDINAL 2 FEET BY 10 FEET (CONTINENTAL) TYPE OR OTHER APPROVED BY THE TOWN OF PARKER.
 - SHALL LINE UP WITH HANDICAP RAMPS.
 - SHALL BE CENTERED WITHIN LANES AND PLACED ON LANE AND CURB LINES SO AS TO AVOID VEHICLE WHEEL PATHS.
- ALL PAVEMENT MARKING MATERIAL (INCLUDING WORDS AND SYMBOLS) SHALL BE AS FOLLOWS:
 - FOR CONCRETE SURFACE:
LONG LINE MARKINGS (CHANNELIZATION LINES, SKIPS, ETC.) SHALL BE EPOXY PAINT.
OTHER PAINT MAY BE USED FOR TEMPORARY APPLICATION ONLY WHEN APPROVED BY THE TOWN OF PARKER.
 - WORDS, SYMBOLS, AND CROSSWALKS/STOP BARS SHALL BE METHYL-MYTHACRALATE, PREFORMED THERMOPLASTIC (90 MIL), PREFORMED PLASTIC (90 MIL), INLAYED TAPE (STAMARK), OR AS SPECIFIED.
 - (SAND OR WATER BLAST CURING COMPOUND PRIOR TO INSTALLATION OF MARKINGS.)
 - FOR ASPHALT SURFACE:
LONG LINE MARKINGS (CHANNELIZATION LINES, SKIPS, ETC.) SHALL BE EPOXY PAINT.
OTHER PAINT MAY BE USED FOR TEMPORARY APPLICATION ONLY WHEN APPROVED BY THE TOWN OF PARKER.
 - WORDS, SYMBOLS, AND CROSSWALKS/STOP BARS SHALL BE HOT APPLIED THERMOPLASTIC (90 MIL), PREFORMED PLASTIC (90 MIL), INLAYED TAPE (STAMARK), METHYL-MYTHACRALATE, OR AS SPECIFIED.
- INSPECTION AND APPROVAL OF STRIPING AND CROSSWALK LAYOUT TO BE DONE BY TOWN OF PARKER DEVELOPMENT REVIEW ENGINEER (CALL 303-840-9546) PRIOR TO APPLICATION OF FINAL STRIPING.

PROJECT NUMBER

21-122-0001

ISSUE DATE:

JUNE 30, 2023

REVISIONS:

No.	Date	Description
1	5-24-22	CITY REVIEW
2	7-13-22	CITY REVIEW
3	10-19-22	CITY REVIEW
4	10-26-22	CITY REVIEW
5	12-08-22	CITY REVIEW
6	1-09-23	CITY REVIEW
7	3-10-23	CITY REVIEW
8	5-17-23	CITY REVIEW
9	6-30-23	CITY REVIEW

NOTE:
Bid documents should not be separated or issued as partial sets to subcontractors. Bidders are responsible for all portions of the documents that pertain to work covered by sub-bids. Bidder assumes full responsibility for error or misinterpretations resulting from partial sets of Bidding Documents by itself or any sub-bidder.

Conflicting information or errors found in the construction documents should be brought to the attention of the architect immediately. In the event of a conflict in the drawings, bidder should not assume the least expensive option will meet the project requirements.



MAVERIK INC. STORE
LINCOLN AVE. AND DRANSFELDT RD.
PARKER, CO
SITE PLAN



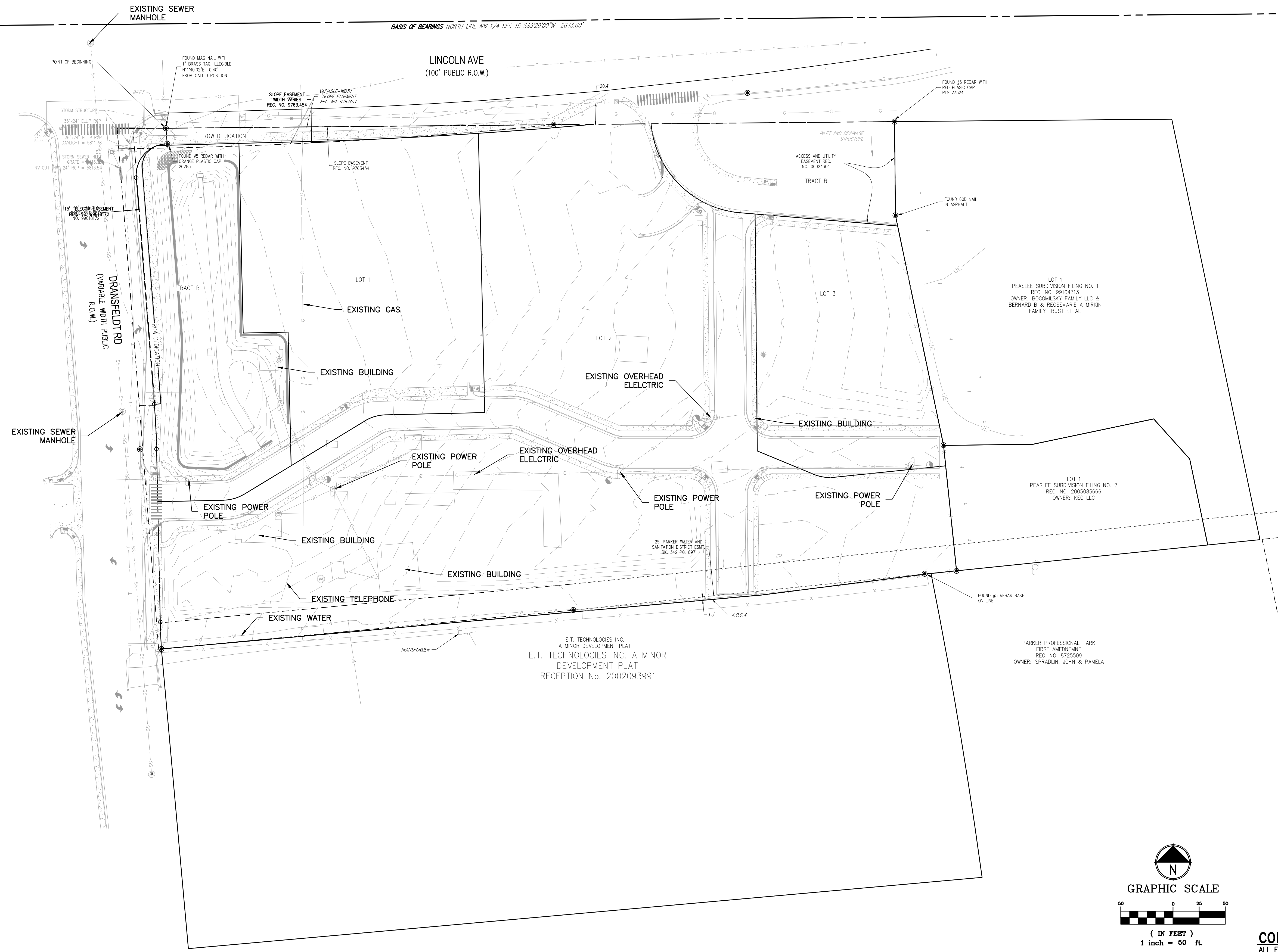
NOTES SHEET



2 OF 26

LINCOLN PROFESSIONAL PARK FILING NO. 1 LOT 1 MAVERIK INC. STORE SITE PLAN

SITUATED IN THE NORTHWEST 1/4 OF SECTION 15,
TOWNSHIP 6 SOUTH, RANGE 66 WEST OF THE 6TH P.M.
TOWN OF PARKER, COUNTY OF DOUGLAS, STATE OF COLORADO



LEGAL DESCRIPTION

LINCOLN PROFESSIONAL PARK FILING 1, LOT 1

BASIS OF BEARING

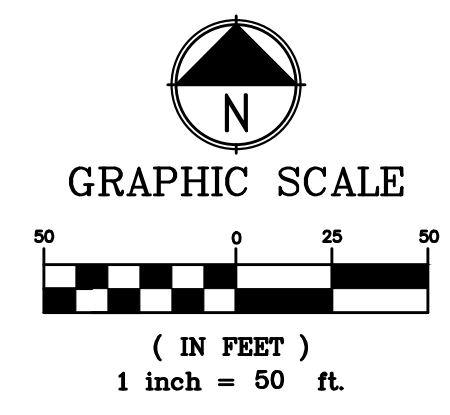
BEARINGS ARE BASED ON THE NORTH LINE OF THE NORTHWEST QUARTER OF SECTION 15, TOWNSHIP 6 SOUTH, RANGE 66 WEST OF THE 6TH PRINCIPAL MERIDIAN. AS MONUMENTED AT BOTH THE NORTHWEST QUARTER CORNER AND THE NORTH QUARTER CORNER BY 3.25" ALUMINUM CAPS, ASSUMED TO BEAR SOUTH 89°29'00" WEST.

VERTICAL DATUM/BENCHMARK:

BENCHMARK IS THE NW CORNER SECTION 15, T6S S R66W, BEING A 3.5" ALUMINUM CAP LS 19003 1999 IN RANGE BOX.
ELEVATION=5806.79' NAVD 88.

SURVEY PREPARED BY:

HARRIS KOCHER SMITH
1120 LINCOLN STREET, SUITE 1000
DENVER, CO 80203
PHONE: 303-623-6300
BRANDON E. ANDERSON, PLS 38484
DATE OF SURVEY: AUGUST 11, 2021



CONTRACTOR NOTE:
ALL EXISTING UTILITIES SHOWN ON PLANS ARE TO BE VERIFIED HORIZONTALLY AND VERTICALLY PRIOR TO ANY CONSTRUCTION. ALL EXISTING FEATURES INCLUDING BURIED UTILITIES ARE SHOWN AS INDICATED ON RECORD MAPS AND SURVEYS FURNISHED BY OTHERS. WE ASSUME NO LIABILITY FOR THE ACCURACY OF THOSE RECORDS AND SURVEYS. CONTACT THE UTILITY OWNER/AGENCY FOR THE FINAL LOCATION OF EXISTING UTILITIES IN AREAS CRITICAL TO CONSTRUCTION.



PROJECT NUMBER

21-122-0001

ISSUE DATE:

JUNE 30, 2023

REVISIONS:

No.	Date	Description
1	5-24-22	CITY REVIEW
2	7-13-22	CITY REVIEW
3	10-19-22	CITY REVIEW
4	10-26-22	CITY REVIEW
5	12-08-22	CITY REVIEW
6	1-09-23	CITY REVIEW
7	3-10-23	CITY REVIEW
8	5-17-23	CITY REVIEW
9	6-30-23	CITY REVIEW

NOTE:
Bid documents should not be separated or issued as partial sets to subcontractors. Bidders are responsible for all portions of the documents that pertain to work covered by sub-bids. Bidder assumes full responsibility for error or misinterpretations resulting from partial sets of Bidding Documents by itself or any sub-bidder.

Conflicting information or errors found in the construction documents should be brought to the attention of the architect immediately. In the event of a conflict in the drawings, bidder should not assume the least expensive option will meet the project requirements.



MAVERIK INC. STORE
LINCOLN AVE. AND DRANSFELDT RD.
PARKER, CO
SITE PLAN

EDCI ENGINEERS
1331 17TH STREET • SUITE 605
DENVER, COLORADO 80202
PHONE: (720) 439-4700
WEBSITE: www.edci-engineers.com
CIVIL / STRUCTURAL
© Copyright 2023 EDCI Engineers Inc. All Rights Reserved.

EXISTING CONDITION BASED ON SURVEY INFO PROVIDED BY ROSENBERG AND ASSOCIATES MAY 4, 2020

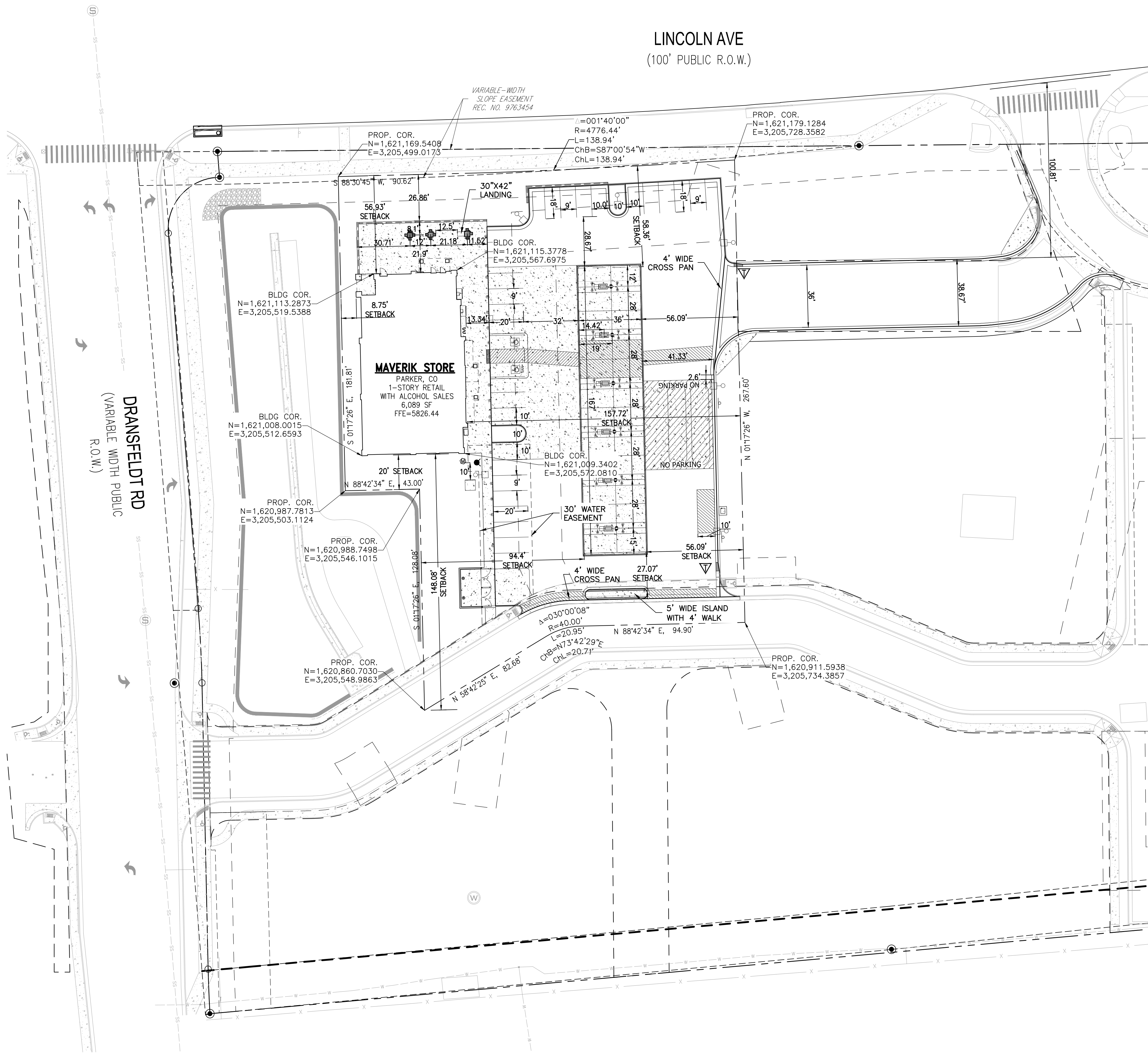
EXISTING CONDITIONS

Plot Date: 2023-06-30 File Location: O:\2020-DenverDC-Civil\Projects\2021\21-122-0001\Maverik Lincoln and Dransfeldt\21-122-0001 SITE.dwg

LINCOLN PROFESSIONAL PARK FILING NO. 1 LOT 1 MAVERIK INC. STORE SITE PLAN

SITUATED IN THE NORTHWEST ¼ OF SECTION 15,
TOWNSHIP 6 SOUTH, RANGE 66 WEST OF THE 6TH P.M.
TOWN OF PARKER, COUNTY OF DOUGLAS, STATE OF COLORADO

LINCOLN AVE
(100' PUBLIC R.O.W.)

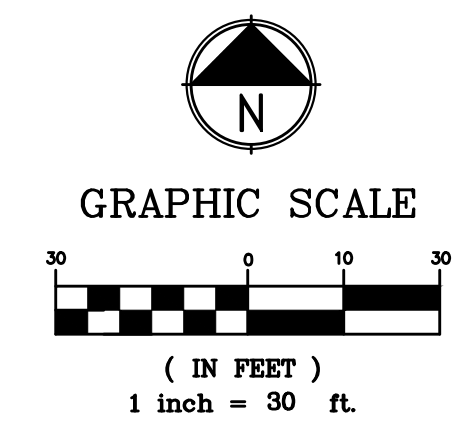


LEGEND:

- NEW CEMENT CONCRETE
- NEW MOUNTABLE CURB
- NEW CATCH/SPILL CURB AND GUTTER
- CURB & GUTTER TRANSITION
- NEW RETAINING WALL
- PEDESTRIAN/ADA ACCESS ROUTE NOT TO EXCEED 4.5% RUNNING SLOPE AND 1.5% CROSS SLOPE
- ADA COMPLIANT AREA NOT TO EXCEED 1.5% IN ANY DIRECTION (NO STRIPING)

BASIS OF BEARING

BEARINGS ARE BASED ON THE NORTH LINE OF THE NORTHWEST QUARTER OF SECTION 15, TOWNSHIP 6 SOUTH, RANGE 66 WEST OF THE 6TH PRINCIPAL MERIDIAN. AS MONUMENTED AT BOTH THE NORTHWEST QUARTER CORNER AND THE NORTH QUARTER CORNER BY 3.25" ALUMINUM CAPS, ASSUMED TO BEAR SOUTH 89°29'00" WEST.



CONTRACTOR NOTE:

ALL EXISTING UTILITIES SHOWN ON PLANS ARE TO BE VERIFIED HORIZONTALLY AND VERTICALLY PRIOR TO ANY CONSTRUCTION. ALL EXISTING FEATURES INCLUDING BURIED UTILITIES ARE SHOWN AS INDICATED ON RECORD MAPS AND SURVEYS FURNISHED BY OTHERS. WE ASSUME NO LIABILITY FOR THE ACCURACY OF THOSE RECORDS AND SURVEYS. CONTACT THE UTILITY OWNER/AGENCY FOR THE FINAL LOCATION OF EXISTING UTILITIES IN AREAS CRITICAL TO CONSTRUCTION.



PROJECT NUMBER

21-122-0001

ISSUE DATE:

JUNE 30, 2023

REVISIONS:

No.	Date	Description
1	5-24-22	CITY REVIEW
2	7-13-22	CITY REVIEW
3	10-19-22	CITY REVIEW
4	10-26-22	CITY REVIEW
5	12-08-22	CITY REVIEW
6	1-09-23	CITY REVIEW
7	3-10-23	CITY REVIEW
8	5-17-23	CITY REVIEW
9	6-30-23	CITY REVIEW

NOTE:
Bid documents should not be separated or issued as partial sets to subcontractors. Bidders are responsible for all portions of the documents that pertain to work covered by sub-bids. Bidder assumes full responsibility for error or misinterpretations resulting from partial sets of Bidding Documents by itself or any sub-bidder.

Conflicting information or errors found in the construction documents should be brought to the attention of the architect immediately. In the event of a conflict in the drawings, bidder should not assume the least expensive option will meet the project requirements.



MAVERIK INC. STORE
LINCOLN AVE. AND DRANSFELDT RD.
PARKER, CO
SITE PLAN

EDCI
ENGINEERS
1331 17TH STREET • SUITE 605
DENVER, COLORADO 80202
PHONE: (720) 439-4700
WEBSITE: www.edci-engineers.com
CIVIL / STRUCTURAL
© Copyright 2023 EDCI Engineers Inc. All Rights Reserved.

HORIZONTAL CONTROL PLAN

LINCOLN PROFESSIONAL PARK FILING NO. 1 LOT 1 MAVERIK INC. STORE SITE PLAN

SITUATED IN THE NORTHWEST 1/4 OF SECTION 15,
TOWNSHIP 6 SOUTH, RANGE 66 WEST OF THE 6TH P.M.
TOWN OF PARKER, COUNTY OF DOUGLAS, STATE OF COLORADO

PROJECT NUMBER

21-122-0001

ISSUE DATE:

JUNE 30, 2023

REVISIONS:

No.	Date	Description
1	5-24-22	CITY REVIEW
2	7-13-22	CITY REVIEW
3	10-19-22	CITY REVIEW
4	10-26-22	CITY REVIEW
5	12-08-22	CITY REVIEW
6	1-09-23	CITY REVIEW
7	3-10-23	CITY REVIEW
8	5-17-23	CITY REVIEW
9	6-30-23	CITY REVIEW

NOTE:
Bid documents should not be separated or issued as partial sets to subcontractors. Bidders are responsible for all portions of the documents that pertain to work covered by sub-bids. Bidder assumes full responsibility for error or misinterpretations resulting from partial sets of Bidding Documents by itself or any sub-bidder.

Conflicting information or errors found in the construction documents should be brought to the attention of the architect immediately. In the event of a conflict in the drawings, bidder shall not assume the least expensive option will meet the project requirements.



MAVERIK INC. STORE
LINCOLN AVE. AND DRANSFELDT RD.
PARKER, CO
SITE PLAN

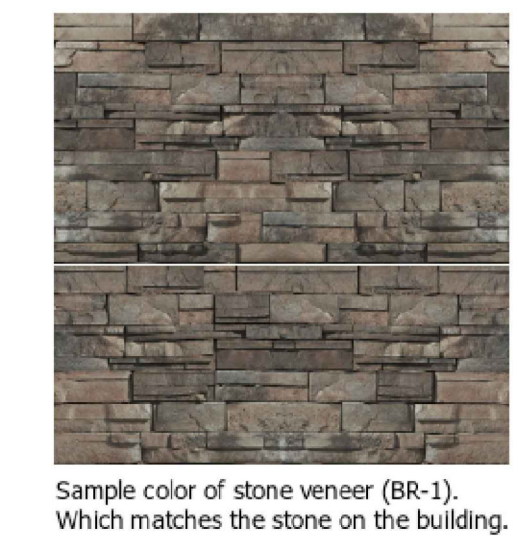
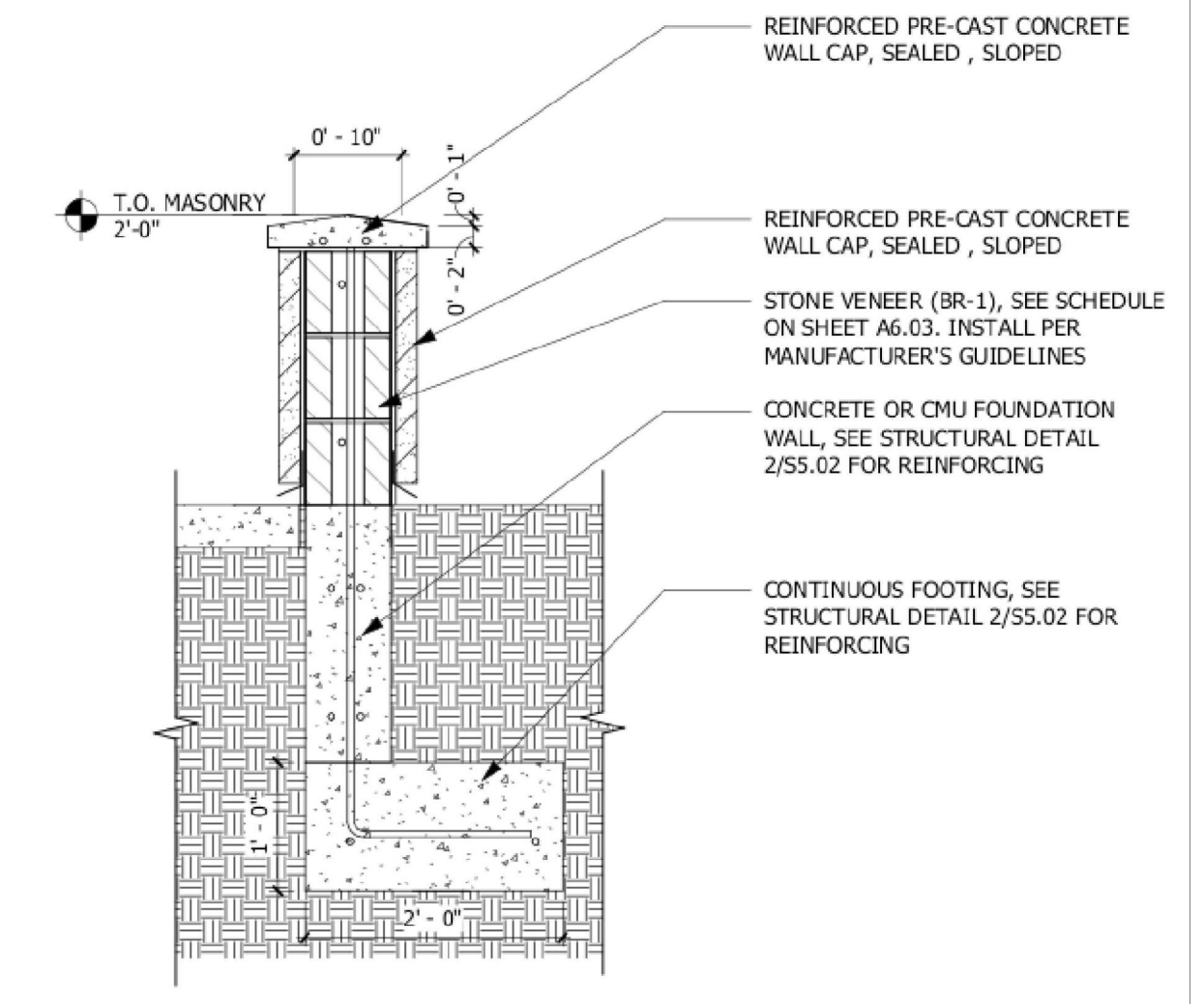
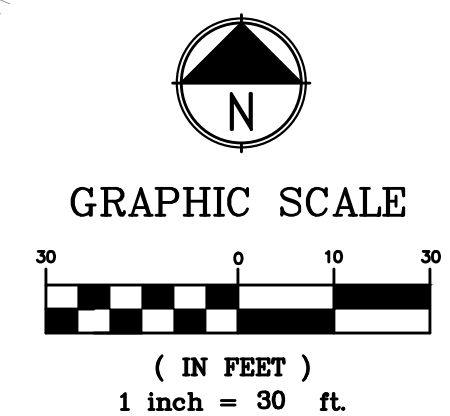
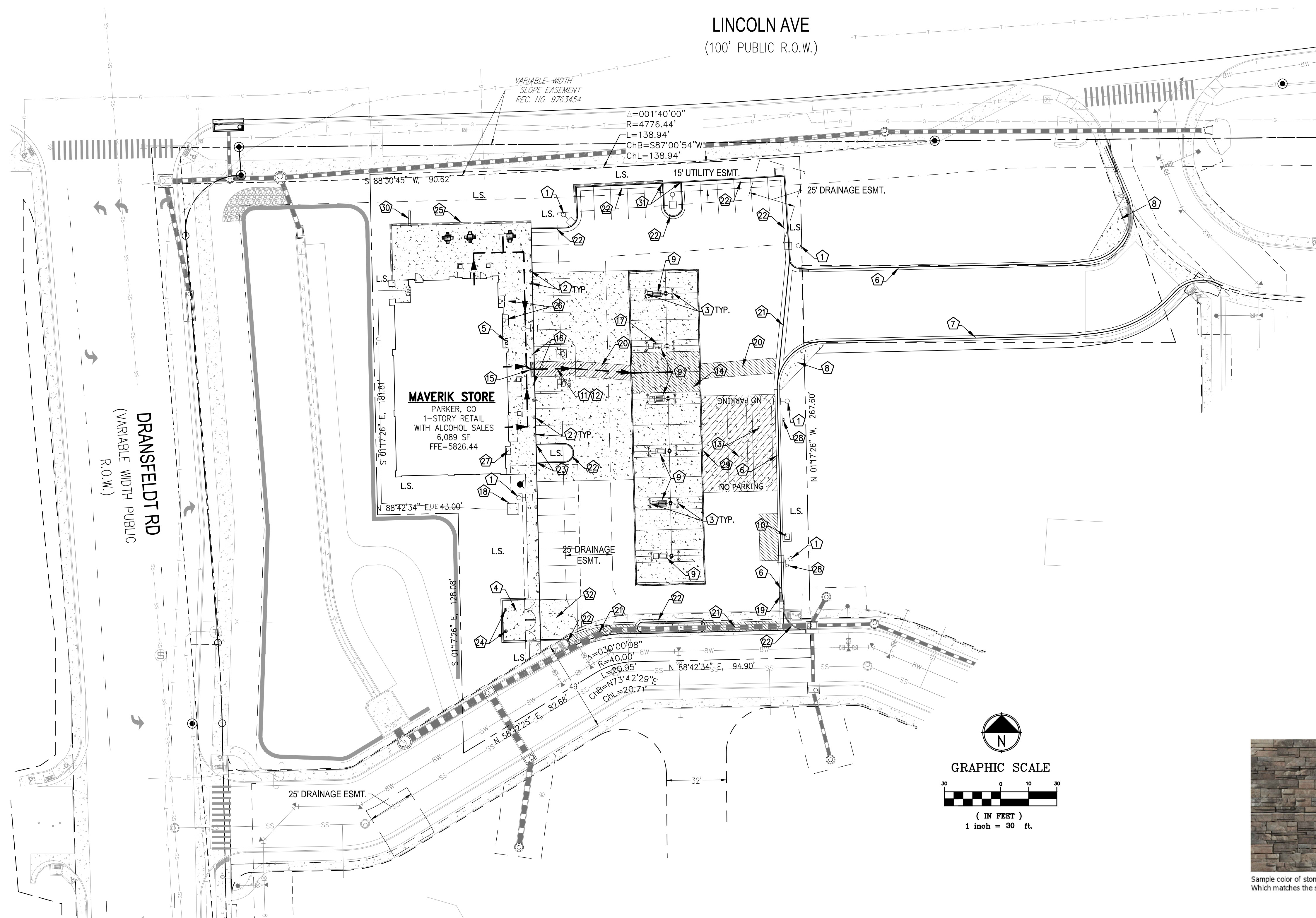
EDCI ENGINEERS
1331 17TH STREET • SUITE 605
DENVER, COLORADO 80202
PHONE: (720) 439-4700
WEBSITE: www.edci-engineers.com
CIVIL / STRUCTURAL
Copyright 2023 EDCI Engineers Inc. All Rights Reserved.

SITE PLAN

5 OF 26

KEYED NOTES:

- 1 NEW LIGHT POLE AND BASE PER MAVERIK STANDARD DETAIL SF-7, SHEET 9
- 2 NEW REBOUNDING BOLLARDS IN FRONT OF EACH PARKING SPACE ALONG THE FACE OF BUILDING PER MAVERIK STANDARD DETAIL SF-5, SHEET 9
- 3 NEW HOOP BOLLARDS PER MAVERIK STANDARD DETAIL SF-2, SHEET 9
- 4 NEW TRASH ENCLOSURE PER ARCHITECTURAL PLANS AND INTERIOR PAD IS PER STRUCTURAL PLANS
- 5 NEW HI-ROLLER BIKE RACK PER MAVERIK STANDARD DETAIL SF-9, SHEET 10
- 6 NEW CATCH CURB AND GUTTER PER MAVERIK STANDARD DETAIL C-8, SHEET 8
- 7 NEW SPILL CURB AND GUTTER PER MAVERIK STANDARD DETAIL C-9, SHEET 8
- 8 NEW RUNOUT PAD PER C-12, SHEET 8 AND MOUNTABLE CURB PER MAVERIK STANDARD DETAIL C-10, SHEET 8
- 9 NEW FUEL DISPENSER BASE PER MAVERIK STANDARD DETAIL SF-8, SHEET 10
- 10 NEW XACTAIR STATION FOUNDATION PER MAVERIK STANDARD DETAIL SF-10, SHEET 10
- 11 NEW ADA PARKING PER MAVERIK STANDARD DETAIL SF-12, SHEET 10. ADA PARKING AREA GRADES SHALL NOT EXCEED 1.5% IN ANY DIRECTION WITH BOLLARD PER DETAIL SF-6, SHEET 9
- 12 PAINTED ADA PARKING SYMBOL PER MAVERIK STANDARD DETAIL SF-13, SHEET 10 (MAX. SLOPES OF 2%)
- 13 NEW UNDERGROUND STORAGE TANKS. TANK PAD AND HOLE DIMENSIONS PER FUELING PLANS
- 14 NEW FUEL CANOPY AND FUEL DISPENSERS - STACKED FORECOURT PER ARCHITECTURAL PLANS
- 15 NEW TRUNCATED DOMES W/ REBOUNDING BOLLARD CENTERED IN PAD PER DETAIL SF-1B AND SF-1C, SHEET 9
- 16 ADA ADJUSTABLE SIGNAGE SLEEVE IN BOLLARD PER DETAIL SF-1B AND SF-1C, SHEET 9
- 17 ADA FUEL DISPENSER WITH SIGN
- 18 NEW CONCRETE PAD FOR ELECTRICAL TRANSFORMER
- 19 5 FOOT CURB TRANSITION FROM MOUNTABLE TO VERTICAL CURB
- 20 ADA PATH TO ADA ACCESSIBLE FUEL PUMP (MAX. SLOPES OF 1.5%) SHOWN ON PLAN AS REFERENCE ONLY. NO PAVEMENT STRIPING
- 21 NEW 4' WIDE CONCRETE VALLEY GUTTER PER DETAIL 3, SHEET 8
- 22 NEW MOUNTABLE CURB PER MAVERIK STANDARD DETAIL C-10, SHEET 8
- 23 TRANSITION CURB TO FLUSH CURB AT SIDEWALK
- 24 6" PIPE BOLLARD FOR EACH DUMPSTER
- 25 18" TALL DECORATIVE PROTECTIVE WALL, FINISH CMU OR CAST STONE TO MATCH EXTERIOR STONE ON BUILDING. SEE DETAIL THIS SHEET
- 26 NEW ICE STORAGE
- 27 NEW PROPANE CAGES
- 28 "NO PARKING-FIRE LANE" SIGN
- 29 FUEL TRENCH WIDTH AND ROUTE ARE PER FUELING PLANS
- 30 NEW MONUMENT SIGN
- 31 CURB OPENING
- 32 TRASH ENCLOSURE ACCESS PAD PER DETAIL C-5, SHEET 10



Sample color of stone veneer (BR-1).
Which matches the stone on the building.

DECORATIVE PATIO WALL DETAIL

CONTRACTOR NOTE:

ALL EXISTING UTILITIES SHOWN ON PLANS ARE TO BE VERIFIED HORIZONTALLY AND VERTICALLY PRIOR TO ANY CONSTRUCTION. ALL EXISTING FEATURES INCLUDING BURIED UTILITIES ARE SHOWN AS INDICATED ON RECORD MAPS AND SURVEYS FURNISHED BY OTHERS. WE ASSUME NO LIABILITY FOR THE ACCURACY OF THOSE RECORDS AND SURVEYS. CONTACT THE UTILITY OWNER/AGENCY FOR THE FINAL LOCATION OF EXISTING UTILITIES IN AREAS CRITICAL TO CONSTRUCTION.

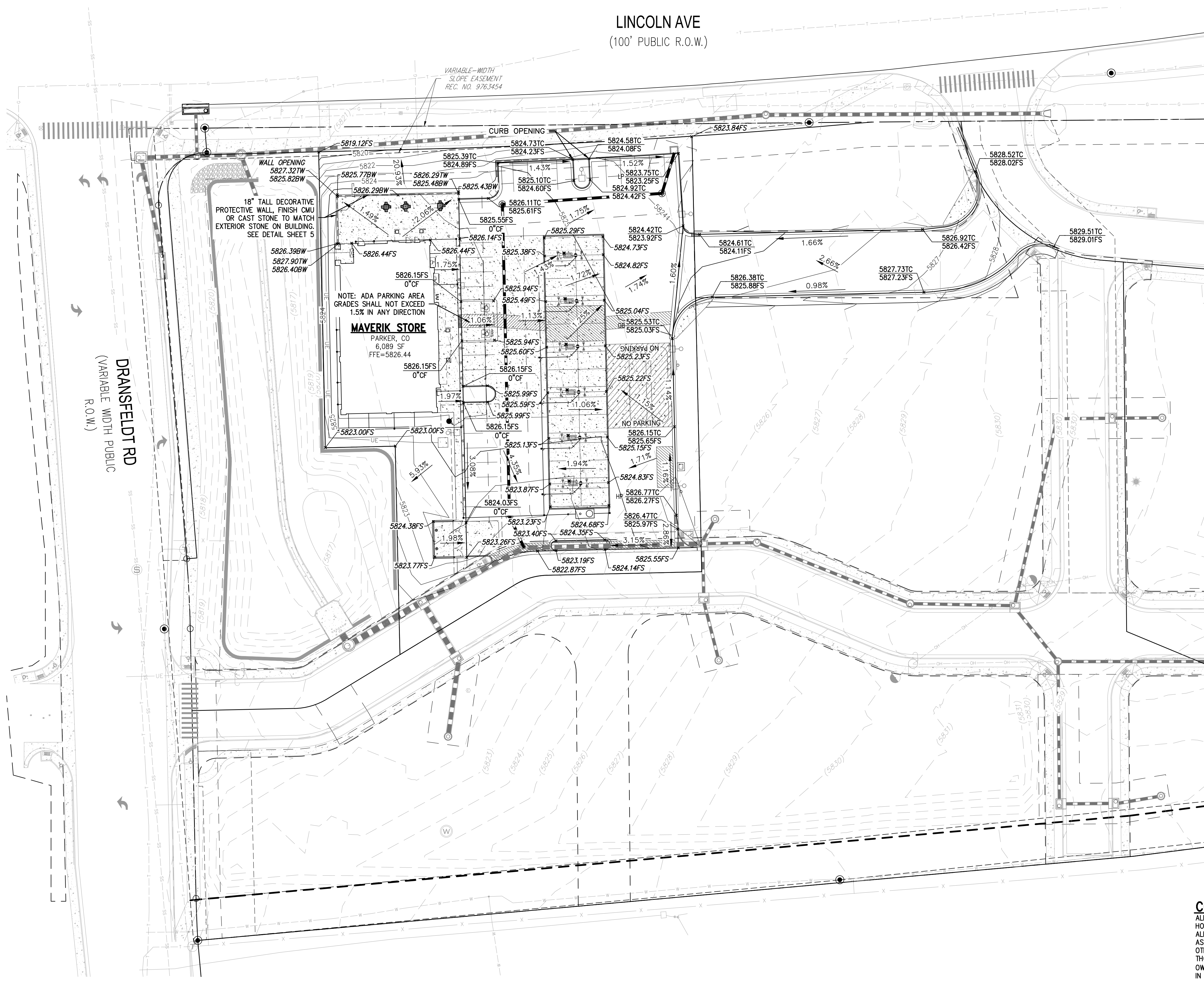


Plot Date: 2023-06-30 File Location: O:\2020-Denver\DC-Civil\Projects\2021\21-122-0001\Maverik Lincoln and Dransfeldt\21-122-0001 SITE.dwg

LINCOLN PROFESSIONAL PARK FILING NO. 1 LOT 1 MAVERIK INC. STORE SITE PLAN

SITUATED IN THE NORTHWEST 1/4 OF SECTION 15,
TOWNSHIP 6 SOUTH, RANGE 66 WEST OF THE 6TH P.M.
TOWN OF PARKER, COUNTY OF DOUGLAS, STATE OF COLORADO

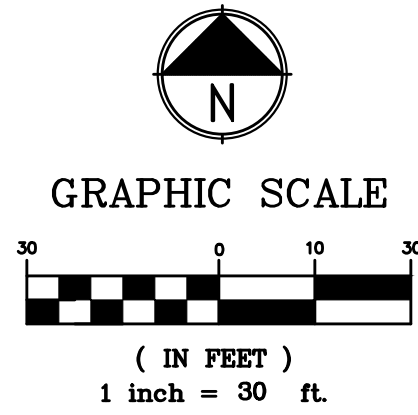
LINCOLN AVE
(100' PUBLIC R.O.W.)



NOTE: ADA PARKING AREA GRADES SHALL NOT EXCEED 1.5% IN ANY DIRECTION

MAVERIK STORE
PARKER, CO
6,089 SF
FFE=5826.44

VERTICAL DATUM/BENCHMARK:
BENCHMARK IS THE NW CORNER SECTION 15, T6S S R66W, BEING A 3.5" ALUMINUM CAP LS 19003 1999 IN RANGE BOX,
ELEVATION=5806.79' NAVD 88.



CONTRACTOR NOTE:
ALL EXISTING UTILITIES SHOWN ON PLANS ARE TO BE VERIFIED HORIZONTALLY AND VERTICALLY PRIOR TO ANY CONSTRUCTION. ALL EXISTING FEATURES INCLUDING BURIED UTILITIES ARE SHOWN AS INDICATED ON RECORD MAPS AND SURVEYS FURNISHED BY OTHERS. WE ASSUME NO LIABILITY FOR THE ACCURACY OF THOSE RECORDS AND SURVEYS. CONTACT THE UTILITY OWNER/AGENCY FOR THE FINAL LOCATION OF EXISTING UTILITIES IN AREAS CRITICAL TO CONSTRUCTION.



PROJECT NUMBER
21-122-0001

ISSUE DATE:
JUNE 30, 2023

REVISIONS:

No.	Date	Description
1	5-24-22	CITY REVIEW
2	7-13-22	CITY REVIEW
3	10-19-22	CITY REVIEW
4	10-26-22	CITY REVIEW
5	12-08-22	CITY REVIEW
6	1-09-23	CITY REVIEW
7	3-10-23	CITY REVIEW
8	5-17-23	CITY REVIEW
9	6-30-23	CITY REVIEW

NOTE:
Bid documents should not be separated or issued as partial sets to subcontractors. Bidders are responsible for all portions of the documents that pertain to work covered by sub-bids. Bidder assumes full responsibility for error or misinterpretations resulting from partial sets of Bidding Documents by itself or any sub-bidder.

Conflicting information or errors found in the construction documents should be brought to the attention of the architect immediately. In the event of a conflict in the drawings, bidder shall not assume the least expensive option will meet the project requirements.



MAVERIK INC. STORE
LINCOLN AVE. AND DRANSFELDT RD.
PARKER, CO
SITE PLAN

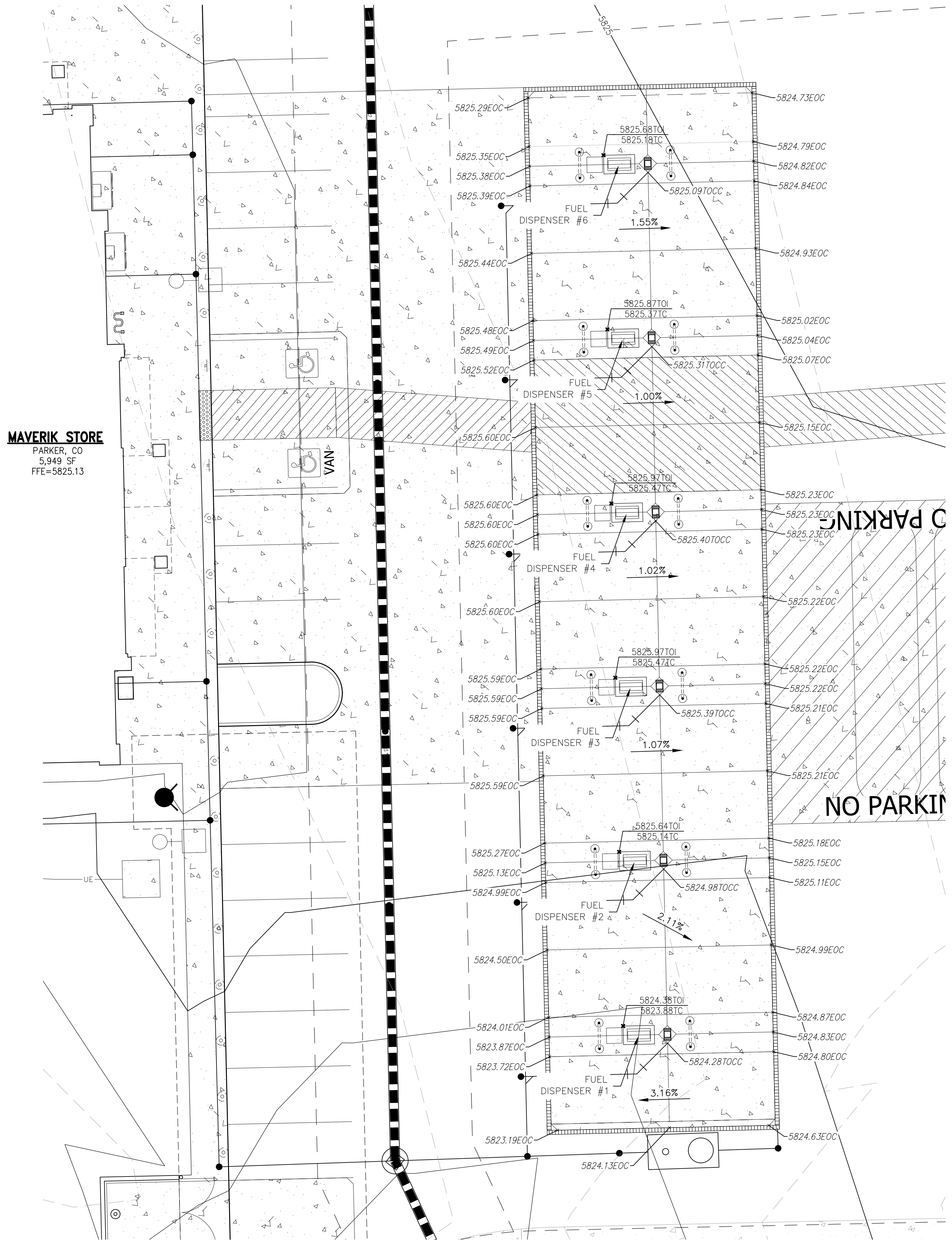
EDCI ENGINEERS
1331 17TH STREET • SUITE 605
DENVER, COLORADO 80202
PHONE: (720) 439-4700
WEBSITE: www.edci-engineers.com
CIVIL / STRUCTURAL
© Copyright 2023 EDCI Engineers Inc. All Rights Reserved.

GRADING PLAN

Plot Date: 2023-06-30 File Location: O:\2020-Denver\DC-Civil\Projects\2021\22-0001\Maverik Lincoln and Dransfeldt\21-122-0001 SITE.dwg

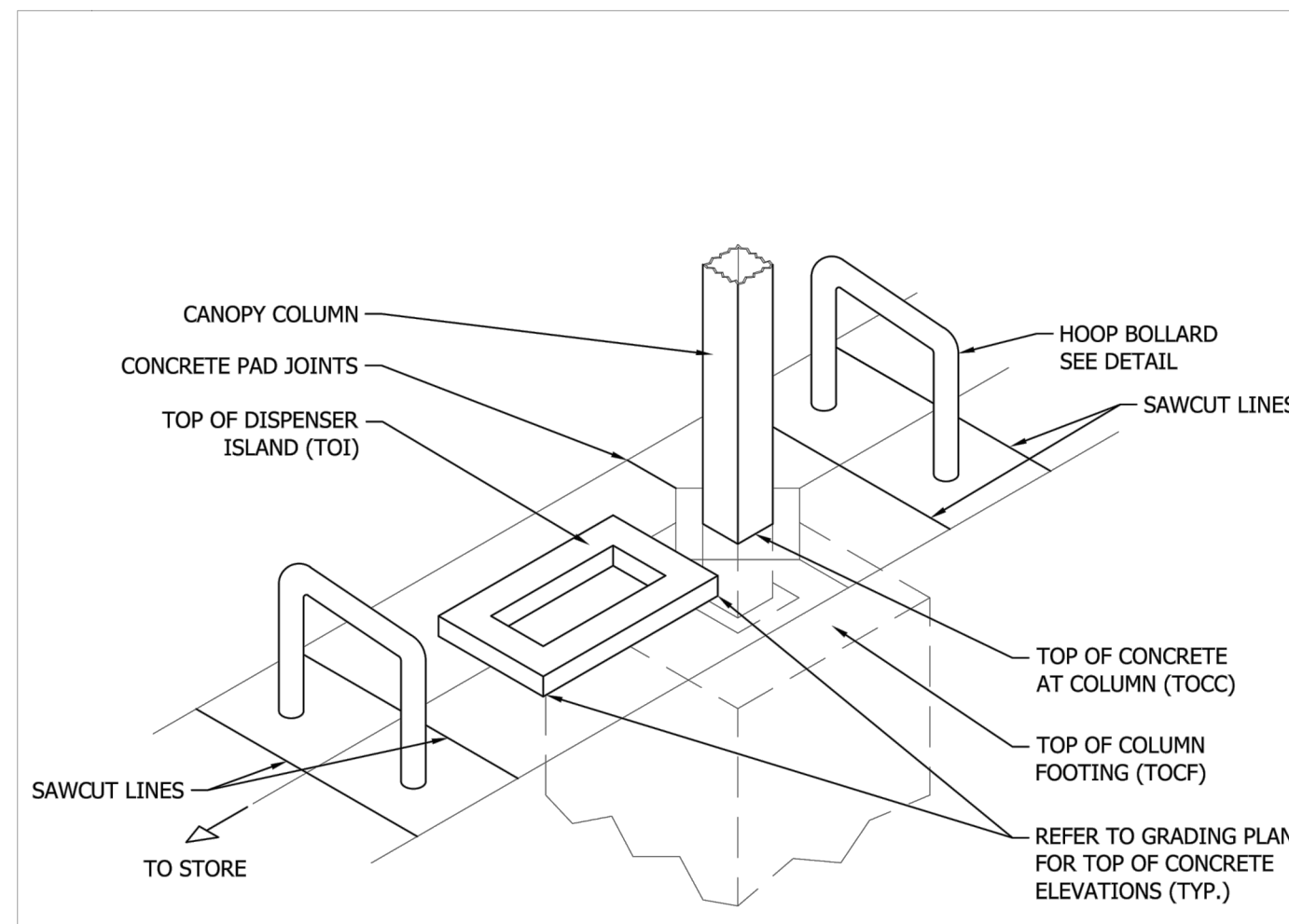
LINCOLN PROFESSIONAL PARK FILING NO. 1 LOT 1 MAVERIK INC. STORE SITE PLAN

SITUATED IN THE NORTHWEST 1/4 OF SECTION 15,
TOWNSHIP 6 SOUTH, RANGE 66 WEST OF THE 6TH P.M.
TOWN OF PARKER, COUNTY OF DOUGLAS, STATE OF COLORADO



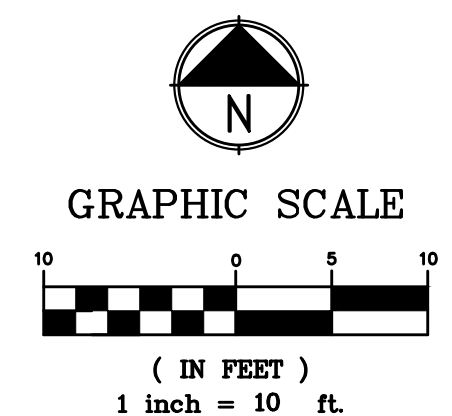
MAVERIK STORE
PARKER, CO
5,949 SF
FFE=5825.13

FUEL DISPENSER	TOP OF ISLAND	T.O.C. @ COLUMN	TOP OF COL. FTG.
#1	5823.53	5823.08	NOTE: TOP OF CONCRETE TO TOP OF COLUMN FOOTING SEPARATION IS 36" MINIMUM. SEE SITE SPECIFIC CANOPY STRUCTURAL DESIGN PLANS.
#2	5824.45	5823.82	
#3	5824.70	5824.13	
#4	5824.64	5824.08	
#5	5824.47	5823.88	



- NOTES:**
1. TOP OF CONCRETE TO TOP OF SPOT & SPREAD FOOTING SEPARATION IS 36"
 2. 6" RAISED VERTICAL CONCRETE ISLAND WITH 1/2" INCH TOOLED EDGES AND CORNERS TO BE POURED FIRST 5'-0" x 3'-0" CONCRETE ISLAND (NO METAL FORM - VERIFY SIZE WITH DISPENSER MANUFACTURER)
 3. AFTER THE 5'-0" x 3'-0" FUEL ISLAND HAS BEEN POURED, SLOPE CONCRETE AWAY FROM ISLAND IN ALL (4) DIRECTIONS
 4. EVERY OTHER DISPENSER TO BE EQUIPPED WITH A FIRE EXTINGUISHER

Detail: **FUEL DISPENSER BASE**
SCALE: NTS
DETAIL NO: SF-8
MAVERIK ENGINEERS
Standards Issue: 22_02
185 S. State Street
Salt Lake City, Utah 84111



VERTICAL DATUM/BENCHMARK:
BENCHMARK IS THE NW CORNER SECTION 15, T6S S R66W, BEING A 3.5" ALUMINUM CAP LS 19003 1999 IN RANGE BOX,
ELEVATION=5806.79' NAVD 88.

CONTRACTOR NOTE:
ALL EXISTING UTILITIES SHOWN ON PLANS ARE TO BE VERIFIED HORIZONTALLY AND VERTICALLY PRIOR TO ANY CONSTRUCTION. ALL EXISTING FEATURES INCLUDING BURIED UTILITIES ARE SHOWN AS INDICATED ON RECORD MAPS AND SURVEYS FURNISHED BY OTHERS. WE ASSUME NO LIABILITY FOR THE ACCURACY OF THOSE RECORDS AND SURVEYS. CONTACT THE UTILITY OWNER/AGENCY FOR THE FINAL LOCATION OF EXISTING UTILITIES IN AREAS CRITICAL TO CONSTRUCTION.



PROJECT NUMBER
21-122-0001

ISSUE DATE:
JUNE 30, 2023

REVISIONS:

No.	Date	Description
1	5-24-22	CITY REVIEW
2	7-13-22	CITY REVIEW
3	10-19-22	CITY REVIEW
4	10-26-22	CITY REVIEW
5	12-08-22	CITY REVIEW
6	1-09-23	CITY REVIEW
7	3-10-23	CITY REVIEW
8	5-17-23	CITY REVIEW
9	6-30-23	CITY REVIEW

NOTE:
Bid documents should not be separated or issued as partial sets to subcontractors. Bidders are responsible for all portions of the documents that pertain to work covered by sub-bids. Bidder assumes full responsibility for error or misinterpretations resulting from partial sets of Bidding Documents by itself or any sub-bidder.

Conflicting information or errors found in the construction documents should be brought to the attention of the architect immediately. In the event of a conflict in the drawings, bidder shall not assume the least expensive option will meet the project requirements.



MAVERIK INC. STORE
LINCOLN AVE. AND DRANSFELDT RD.
PARKER, CO
SITE PLAN

EDCI ENGINEERS
1331 17TH STREET • SUITE 605
DENVER, COLORADO 80202
PHONE: (720) 439-4700
WEBSITE: www.edci-engineers.com
CIVIL / STRUCTURAL
© Copyright 2023 EDCI Engineers, Inc. All Rights Reserved.

FUEL AREA
GRADING
DETAIL

Plot Date: 2023-06-30 File Location: O:\2020-Denver\DC-Civil\Projects\2021\122-0001\Maverik Lincoln and Dransfeldt\122-0001 SITE.dwg

LINCOLN PROFESSIONAL PARK FILING NO. 1 LOT 1 MAVERIK INC. STORE SITE PLAN

SITUATED IN THE NORTHWEST ¼ OF SECTION 15,
TOWNSHIP 6 SOUTH, RANGE 66 WEST OF THE 6TH P.M.
TOWN OF PARKER, COUNTY OF DOUGLAS, STATE OF COLORADO

PROJECT NUMBER

21-122-0001

ISSUE DATE:

JUNE 30, 2023

REVISIONS:

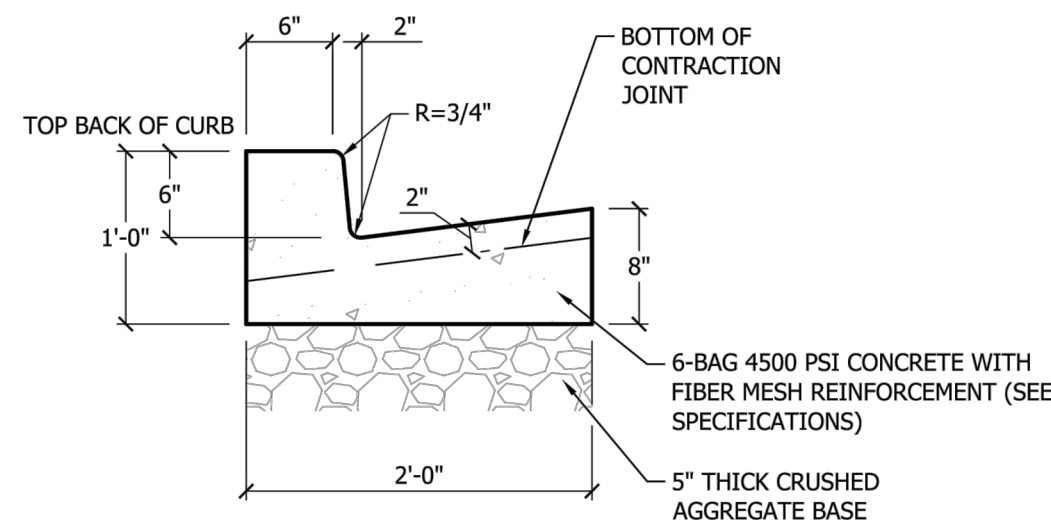
No.	Date	Description
1	5-24-22	CITY REVIEW
2	7-13-22	CITY REVIEW
3	10-19-22	CITY REVIEW
4	10-26-22	CITY REVIEW
5	12-08-22	CITY REVIEW
6	1-09-23	CITY REVIEW
7	3-10-23	CITY REVIEW
8	5-17-23	CITY REVIEW
9	6-30-23	CITY REVIEW

NOTE:
Bid documents should not be separated or issued as partial sets to subcontractors. Bidders are responsible for all portions of the documents that pertain to work covered by sub-bids. Bidder assumes full responsibility for error or misinterpretations resulting from partial sets of Bidding Documents by itself or any sub-bidder.

Conflicting information or errors found in the construction documents should be brought to the attention of the architect immediately. In the event of a conflict in the drawings, bidder should not assume the least expensive option will meet the project requirements.

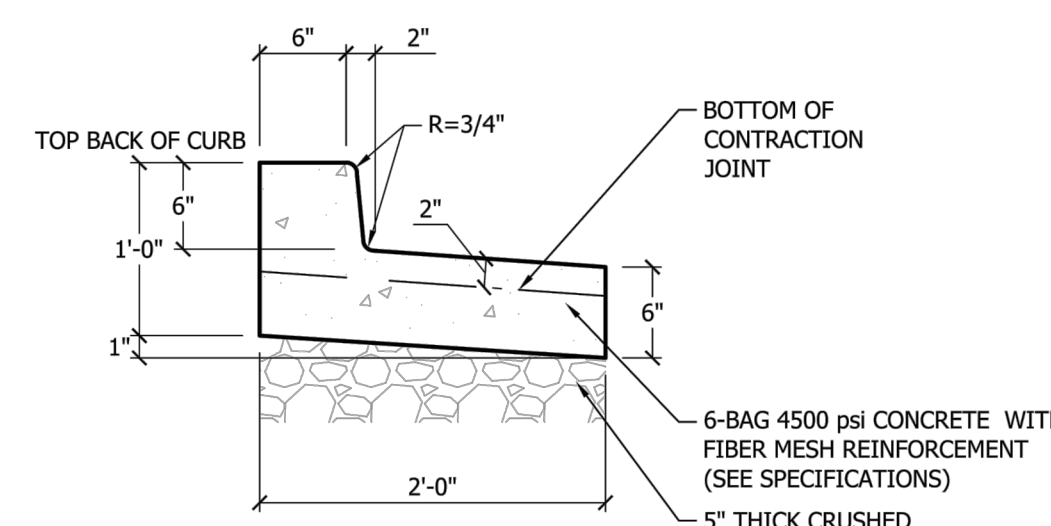


MAVERIK INC. STORE
LINCOLN AVE. AND DRANSFELDT RD.
PARKER, CO
SITE PLAN



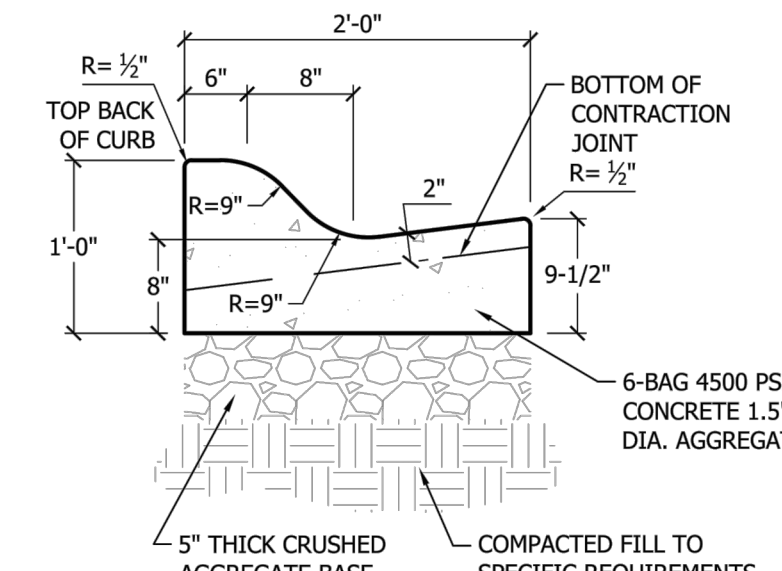
CONCRETE CURB AND GUTTER SECTION & INSTALLATION NOTE:
1. MAVERIK TYPICAL CONCRETE CURB AND GUTTER SECTION PROVIDED AS A MINIMUM STANDARD FOR INSTALLATION. CONTRACTOR TO REFER TO SITE SPECIFIC GEOTECHNICAL REPORT CONCRETE SECTION RECOMMENDATION AND INSTALL MOST STRINGENT. CONTRACTOR TO COMPLY WITH ALL SUBBASE PREPARATION REQUIREMENTS AS NOTED WITHIN SITE SPECIFIC GEOTECHNICAL REPORT.
2. ADD EXPANSION JOINTS EVERY +25 FEET ALONG CURB. SEE TYPICAL ON-SITE CONCRETE JOINT DETAIL. SEE SITE SPECIFICATIONS

Detail: **ON-SITE CATCH TYPE CURB & GUTTER**
SCALE: NTS
DETAIL NO: C-8
MAVERIK Standards Issue: 22_02 185 S. State Street Salt Lake City, Utah 84111



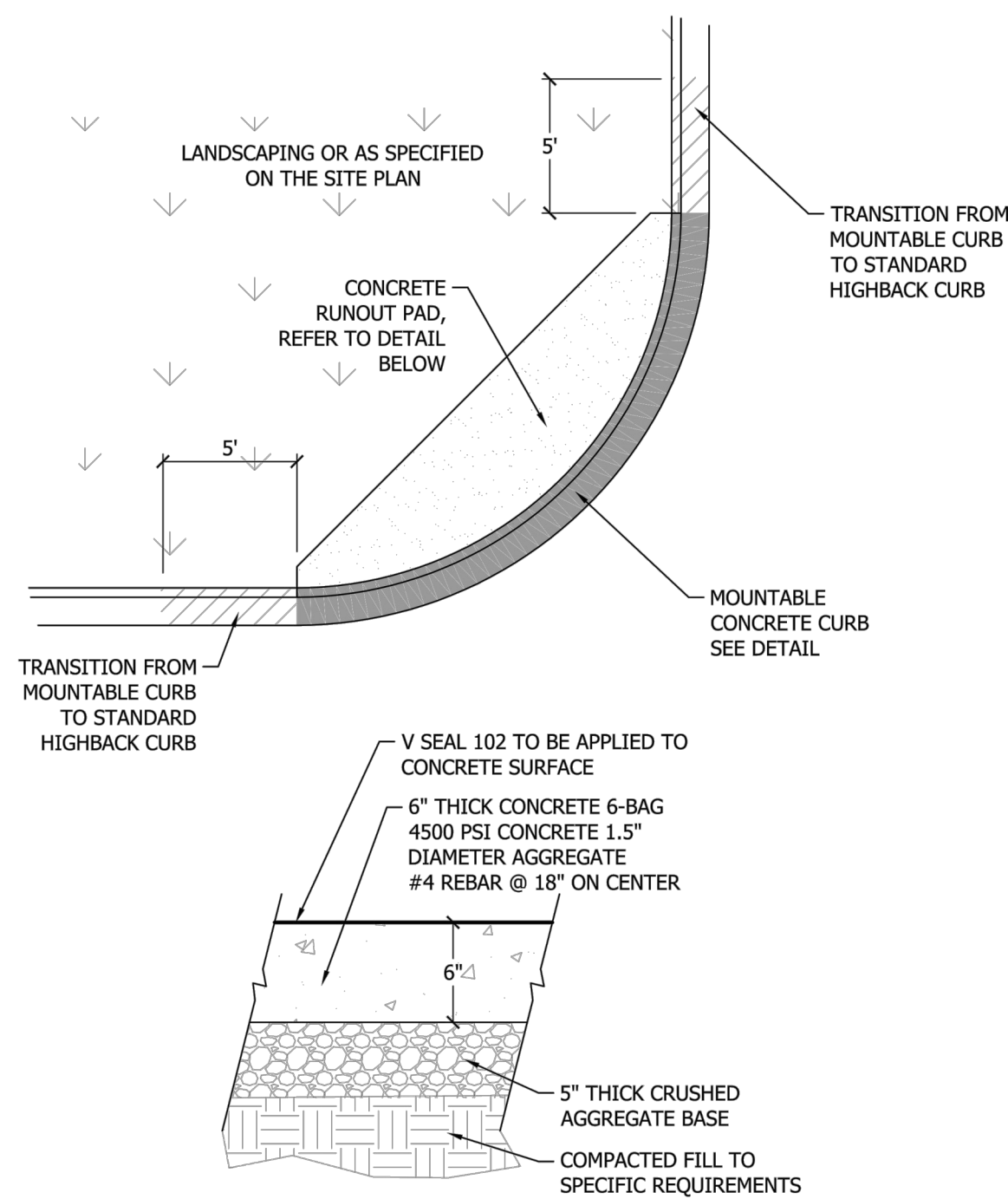
CONCRETE CURB AND GUTTER SECTION & INSTALLATION NOTE:
1. MAVERIK TYPICAL CONCRETE CURB AND GUTTER SECTION PROVIDED AS A MINIMUM STANDARD FOR INSTALLATION. CONTRACTOR TO REFER TO SITE SPECIFIC GEOTECHNICAL REPORT CONCRETE SECTION RECOMMENDATION AND INSTALL MOST STRINGENT. CONTRACTOR TO COMPLY WITH ALL SUBBASE PREPARATION REQUIREMENTS AS NOTED WITHIN SITE SPECIFIC GEOTECHNICAL REPORT.
2. ADD EXPANSION JOINTS EVERY +25 FEET ALONG CURB. SEE TYPICAL ON-SITE CONCRETE JOINT DETAIL. SEE SITE SPECIFICATIONS

Detail: **ON-SITE SPILL TYPE CURB & GUTTER**
SCALE: NTS
DETAIL NO: C-9
MAVERIK Standards Issue: 22_02 185 S. State Street Salt Lake City, Utah 84111



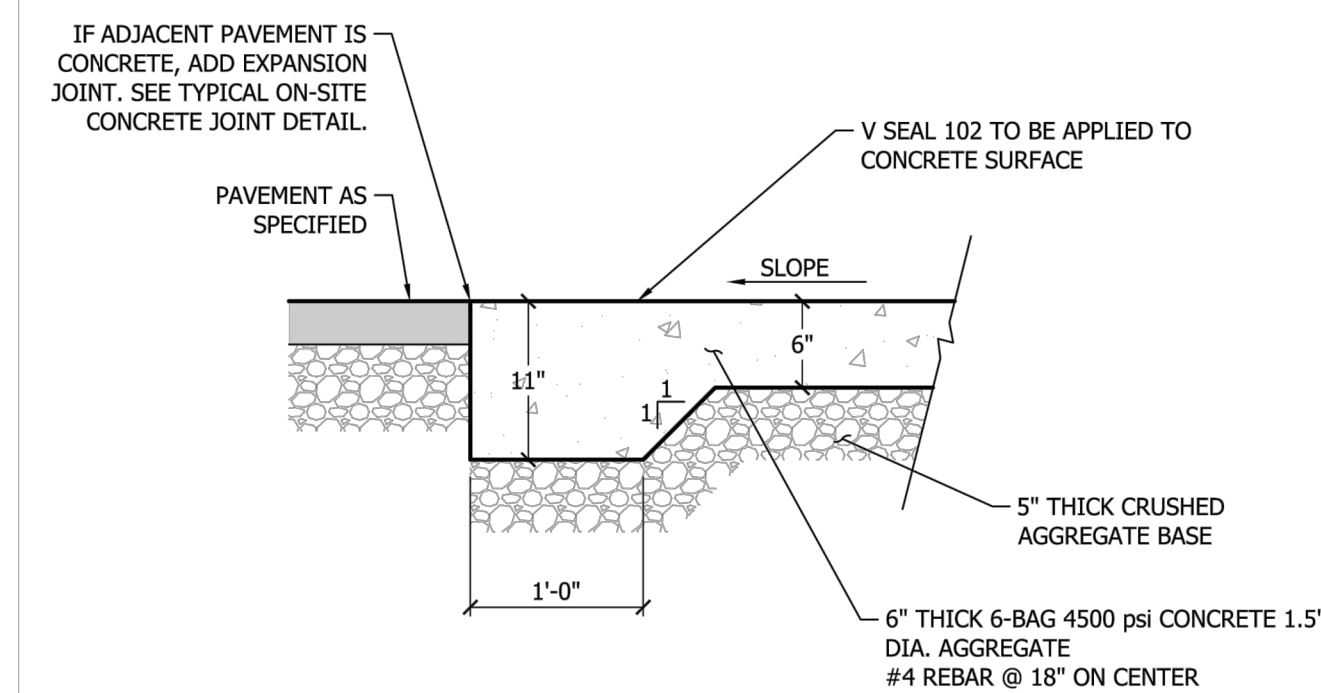
CONCRETE CURB AND GUTTER SECTION & INSTALLATION NOTE:
1. MAVERIK TYPICAL CONCRETE CURB AND GUTTER SECTION PROVIDED AS A MINIMUM STANDARD FOR INSTALLATION. CONTRACTOR TO REFER TO SITE SPECIFIC GEOTECHNICAL REPORT CONCRETE SECTION RECOMMENDATION AND INSTALL MOST STRINGENT. CONTRACTOR TO COMPLY WITH ALL SUBBASE PREPARATION REQUIREMENTS AS NOTED WITHIN SITE SPECIFIC GEOTECHNICAL REPORT.
2. ADD EXPANSION JOINTS EVERY +25 FEET ALONG CURB. SEE TYPICAL ON-SITE CONCRETE JOINT DETAIL. SEE SITE SPECIFICATIONS

Detail: **ON-SITE CATCH TYPE MOUNTABLE CURB & GUTTER**
SCALE: NTS
DETAIL NO: C-10
MAVERIK Standards Issue: 22_02 185 S. State Street Salt Lake City, Utah 84111



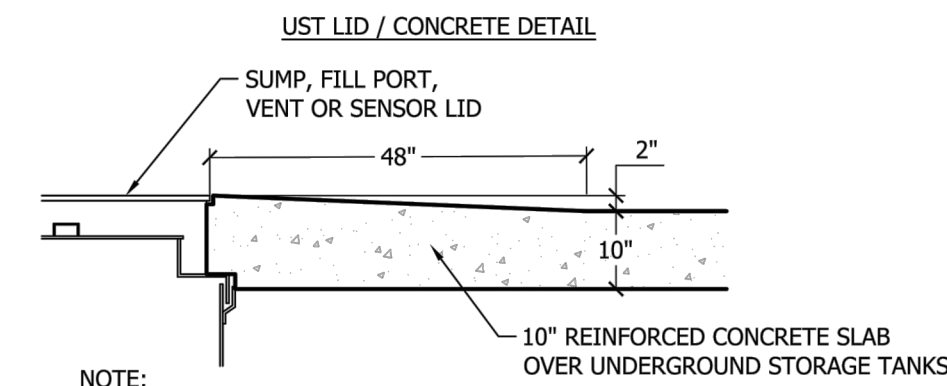
CONCRETE SECTION & INSTALLATION NOTE:
1. MAVERIK TYPICAL CONCRETE SECTION PROVIDED AS A MINIMUM STANDARD FOR INSTALLATION. CONTRACTOR TO REFER TO SITE SPECIFIC GEOTECHNICAL REPORT CONCRETE SECTION RECOMMENDATION AND INSTALL MOST STRINGENT. CONTRACTOR TO COMPLY WITH ALL SUBBASE PREPARATION REQUIREMENTS AS NOTED WITHIN SITE SPECIFIC GEOTECHNICAL REPORT.

Detail: **CONCRETE RUNOUT PAD**
SCALE: NTS
DETAIL NO: C-12
MAVERIK Standards Issue: 22_02 185 S. State Street Salt Lake City, Utah 84111

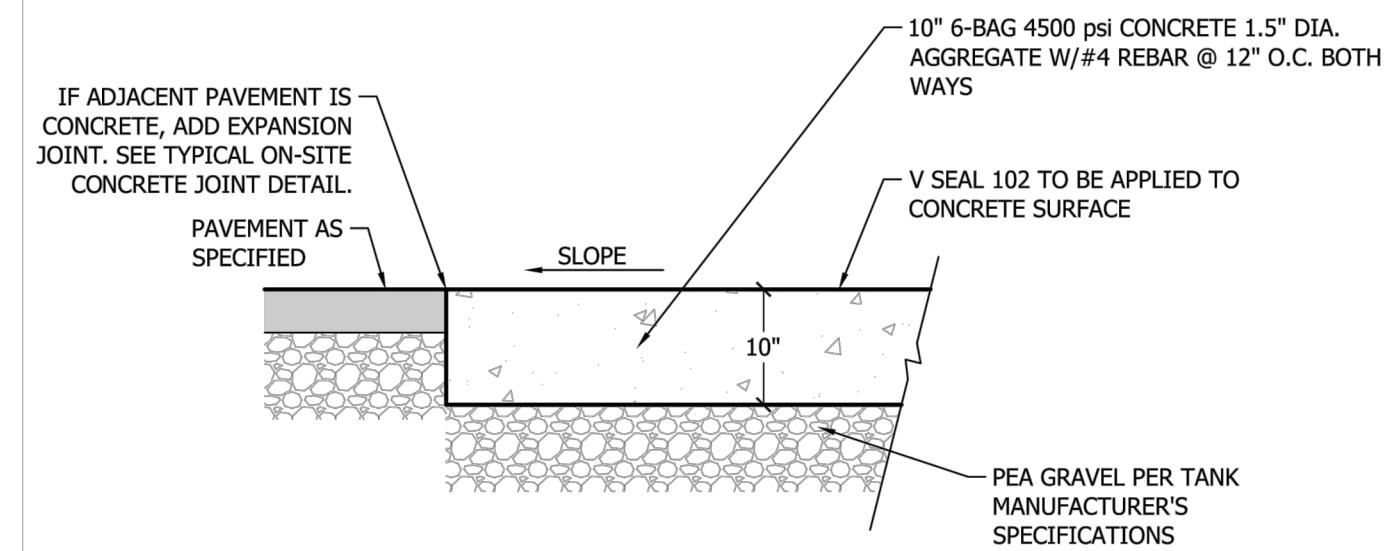


CONCRETE SECTION & INSTALLATION NOTE:
1. MAVERIK TYPICAL CONCRETE SECTION PROVIDED AS A MINIMUM STANDARD FOR INSTALLATION. CONTRACTOR TO REFER TO SITE SPECIFIC GEOTECHNICAL REPORT CONCRETE SECTION RECOMMENDATION AND INSTALL MOST STRINGENT. CONTRACTOR TO COMPLY WITH ALL SUBBASE PREPARATION REQUIREMENTS AS NOTED WITHIN SITE SPECIFIC GEOTECHNICAL REPORT.
2. THICKEN SLAB @ ALL OUTSIDE EDGES.
3. 12-INCH CHAMFER AT EACH CONCRETE CORNER.

Detail: **CONCRETE PAD UNDER FUEL CANOPY**
SCALE: NTS
DETAIL NO: C-15
MAVERIK Standards Issue: 22_02 185 S. State Street Salt Lake City, Utah 84111

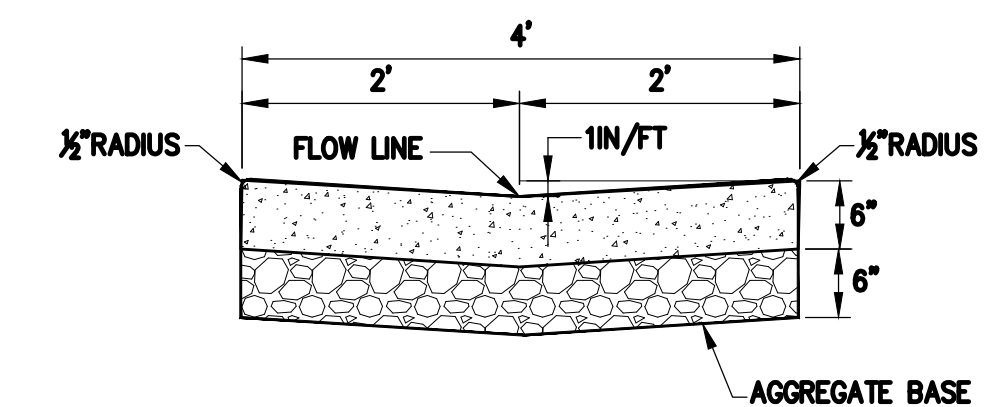


NOTE:
1. MAVERIK AND PETROLEUM REPRESENTATIVE MUST BE PRESENT AT TIME OF TANK SLAB CONCRETE POUR.



CONCRETE SECTION & INSTALLATION NOTE:
1. MAVERIK TYPICAL CONCRETE SECTION PROVIDED AS A MINIMUM STANDARD FOR INSTALLATION. CONTRACTOR TO REFER TO SITE SPECIFIC GEOTECHNICAL REPORT CONCRETE SECTION RECOMMENDATION AND INSTALL MOST STRINGENT. CONTRACTOR TO COMPLY WITH ALL SUBBASE PREPARATION REQUIREMENTS AS NOTED WITHIN SITE SPECIFIC GEOTECHNICAL REPORT.
2. 12-INCH CHAMFER AT EACH CONCRETE CORNER.
3. PAD TO EXTEND 3-FEET MIN. BEYOND TANKS IN ALL DIRECTIONS.

Detail: **CONCRETE PAD OVER UNDERGROUND FUEL TANKS**
SCALE: NTS
DETAIL NO: C-16
MAVERIK Standards Issue: 22_02 185 S. State Street Salt Lake City, Utah 84111



4' WIDE CONCRETE VALLEY GUTTER

SCALE: NTS

3

EDCI
ENGINEERS
1331 17TH STREET SUITE 605
DENVER, COLORADO 80202
PHONE: (720) 439-4700
WEBSITE: www.edci-engineers.com
CIVIL / STRUCTURAL
© Copyright 2023. All Rights Reserved.

SITE DETAILS



LINCOLN PROFESSIONAL PARK FILING NO. 1 LOT 1 MAVERIK INC. STORE SITE PLAN

SITUATED IN THE NORTHWEST 1/4 OF SECTION 15,
TOWNSHIP 6 SOUTH, RANGE 66 WEST OF THE 6TH P.M.
TOWN OF PARKER, COUNTY OF DOUGLAS, STATE OF COLORADO

PROJECT NUMBER

21-122-0001

ISSUE DATE:

JUNE 30, 2023

REVISIONS:

No.	Date	Description
1	5-24-22	CITY REVIEW
2	7-13-22	CITY REVIEW
3	10-19-22	CITY REVIEW
4	10-26-22	CITY REVIEW
5	12-08-22	CITY REVIEW
6	1-09-23	CITY REVIEW
7	3-10-23	CITY REVIEW
8	5-17-23	CITY REVIEW
9	6-30-23	CITY REVIEW

NOTE:
Bid documents should not be separated or issued as partial sets to subcontractors. Bidders are responsible for all portions of the documents that pertain to work covered by sub-bids. Bidder assumes full responsibility for error or misinterpretations resulting from partial sets of Bidding Documents by itself or any sub-bidder.

Conflicting information or errors found in the construction documents should be brought to the attention of the architect immediately. In the event of a conflict in the drawings, bidder shall not assume the least expensive option will meet the project requirements.



MAVERIK INC. STORE
LINCOLN AVE. AND DRANSFELDT RD.
PARKER, CO
SITE PLAN

SlowStop® Rebounding Bollard – 4" (SS4Y-42)

Color: RAL 1023 Safety Yellow Bollard
RAL 9005 Black Base

Diameter: 4" (3.5" ANSI Schedule 40 or Equiv.)
Height: 42"

Set Screws: S M16 x 2.00
38mm Hex

Cap: Black Plastic

ANSA (ANSI) SPEED (MPH)	1000	1200	1400	1600	1800	2000	2200	2400	2600	2800	3000
0.5	Green	Green	Green	Green	Green	Green	Green	Green	Green	Green	Green
1.0	Green	Green	Green	Green	Green	Green	Green	Green	Green	Green	Green
1.5	Green	Green	Green	Green	Green	Green	Green	Green	Green	Green	Green
2.0	Green	Green	Green	Green	Green	Green	Green	Green	Green	Green	Green
2.5	Green	Green	Green	Green	Green	Green	Green	Green	Green	Green	Green
3.0	Green	Green	Green	Green	Green	Green	Green	Green	Green	Green	Green
3.5	Green	Green	Green	Green	Green	Green	Green	Green	Green	Green	Green
4.0	Green	Green	Green	Green	Green	Green	Green	Green	Green	Green	Green
4.5	Green	Green	Green	Green	Green	Green	Green	Green	Green	Green	Green
5.0	Green	Green	Green	Green	Green	Green	Green	Green	Green	Green	Green
5.5	Green	Green	Green	Green	Green	Green	Green	Green	Green	Green	Green
6.0	Green	Green	Green	Green	Green	Green	Green	Green	Green	Green	Green
6.5	Green	Green	Green	Green	Green	Green	Green	Green	Green	Green	Green

Install with four (4) 5/8" x 5-1/2" Concrete Screw Anchors

SPECIFICATIONS

- Stopping Power: 5,334 Joules / 3,944 Ft-Lb
- No-Damage Rating: 9,667 Joules / 7,067 Ft-Lb
- Temperature Rating: -40°
- Pipe Coating: 60um Hot Dipped Galvanized + 60um Polyester Outdoor Powder Coat
- Cast Iron Coating: Environmentally Friendly Water-Based KTL Coating + Powder Coat C31 Rated

RECOMMENDED USES

- Medium Duty
- Equipment and Storage Rack Guarding
- Drive Thru Lanes
- Pedestrian Safety
- Access Denial
- Fuel Pump and Utility Protection
- Post-Tensioned Concrete
- Best for K-Rated Security Use

1895 South Dr. • Salt Lake City, UT 84111
310-730-6477 • 800-736-6256 • Fax 310-734-6448
Email: info@slowstop.com • www.slowstop.com

Detail: **REBOUNDING BOLLARD DETAIL**
SCALE: NTS
DETAIL NO: SF-1A
Standards Issue: 22_02
185 S. State Street
Salt Lake City, Utah 84111

REBOUNDING BOLLARD CONNECTION DETAIL

MINIMUM FOUNDATION DEPENDS ON LOCAL SOIL CONDITIONS, WEATHER & WIND REGS.

CONFIDENTIAL & PROPRIETARY
This drawing is the property of SlowStop Guarding Systems, LLC and shall be used only for the project for which it was prepared. No part of this drawing may be reproduced or transmitted in any form or by any means without the express written permission of SlowStop Guarding Systems, LLC.
4805 STOUT DR., SAN ANTONIO, TX 78243 • 800-736-6256

DATE: 01-MAR-2023
SCALE: 1/8"=1'-0"

Detail: **REBOUNDING BOLLARD CONNECTION DETAIL**
SCALE: NTS
DETAIL NO: SF-1B
Standards Issue: 22_02
185 S. State Street
Salt Lake City, Utah 84111

REBOUNDING BOLLARD COVER DETAIL

MATERIAL: POLYETHYLENE

OPTIONAL 3M 4510 REFLECTIVE TAPE

COLOR: BROWN
REFLECTIVE: RED

CONFIDENTIAL & PROPRIETARY
This drawing is the property of SlowStop Guarding Systems, LLC and shall be used only for the project for which it was prepared. No part of this drawing may be reproduced or transmitted in any form or by any means without the express written permission of SlowStop Guarding Systems, LLC.
4805 STOUT DR., SAN ANTONIO, TX 78243 • 800-736-6256

DATE: 30-MAY-2017
SCALE: 1/16"=1'-0"

Detail: **REBOUNDING BOLLARD COVER DETAIL**
SCALE: NTS
DETAIL NO: SF-1C
Standards Issue: 22_02
185 S. State Street
Salt Lake City, Utah 84111

"HOOP" BOLLARD

4" DIAMETER "U" BOLLARD PAINTED (COLOR: P-4) AND SET AND FILLED WITH CONCRETE BY GENERAL CONTRACTOR EXTEND 3'-6" ABOVE FINISH SLAB OR GRADE

6" RAISED CONCRETE DISPENSER ISLAND, BEYOND, WITH 1 1/2" INCH TOOLED EDGES AND CORNERS - 5' - 0" X 3' - 0" CONCRETE DISPENSER ISLAND (NO METAL FORM - VERIFY SIZE WITH DISPENSER MANUFACTURER) PAINTED: SEE ARCHITECTURAL PLANS

NOTE:
SLOPE 1/4" PER FOOT AWAY FROM ISLAND CENTER

Detail: **"HOOP" BOLLARD**
SCALE: NTS
DETAIL NO: SF-2
Standards Issue: 22_02
185 S. State Street
Salt Lake City, Utah 84111

TYPICAL BOLLARD SPACING AT BUILDING

NOTE:
1. THIS DETAIL DEPICTS MINIMUM MAVERIK STANDARDS. LOCAL JURISDICTION MAY HAVE MORE STRINGENT REQUIREMENTS THAT SHALL BE VERIFIED AND ADHERED TO

Detail: **TYPICAL BOLLARD SPACING AT BUILDING**
SCALE: NTS
DETAIL NO: SF-5
Standards Issue: 22_02
185 S. State Street
Salt Lake City, Utah 84111

ADA PARKING SIGN WITH BOLLARD

MINIMUM FOUNDATION DEPENDS ON LOCAL SOIL CONDITIONS, WEATHER & WIND REGS.

CONFIDENTIAL & PROPRIETARY
This drawing is the property of SlowStop Guarding Systems, LLC and shall be used only for the project for which it was prepared. No part of this drawing may be reproduced or transmitted in any form or by any means without the express written permission of SlowStop Guarding Systems, LLC.
4805 STOUT DR., SAN ANTONIO, TX 78243 • 800-736-6256

DATE: 20-MAY-2017
SCALE: 1/8"=1'-0"

Detail: **ADA PARKING SIGN WITH BOLLARD**
SCALE: NTS
DETAIL NO: SF-6
Standards Issue: 22_02
185 S. State Street
Salt Lake City, Utah 84111

TYPICAL LIGHT POLE AND BASE

DRYPACK UNDER LIGHT POLE PLATE FINISH EXPOSED PORTION SMOOTH, SLOPE DOWN TO EDGE

CHAMFER ALL EXPOSED EDGES

ANCHOR BOLTS & BASEPLATE TO BE DESIGNED BY, DETAILED AND PROVIDED BY LIGHT POLE MANUFACTURER

(3) #3 TIES @ 1'-1/2" O.C. IN TOP 6" OF PIER

HAND RUBBED SAND FINISH

RIGID PVC CONDUIT 2'-6" BELOW FINISHED GRADE TO ELECTRICAL PANEL

LONG RADIUS CONDUIT SWEEP

(6) #6 BARS VERT. W/#3 TIES @ 12" O.C. HORIZ.

CONCRETE POLE FOUNDATION

PIER W/ 2'-0" DIA. 6" MIN. 3" CLR. TYP.

FACE OF CURB

NOTES:
1. POLE BASE IN NATURAL UNDISTURBED SOIL
2. WHEN POLE IS 3'-0" OR GREATER FROM CURB, PROVIDE SEAL TO TOP OF POLE FOOTING FLUSH WITH GRADE. SEAL OFFS AS REQUIRED IF IN HAZARDOUS AREA. SEE ELECTRICAL PLAN. CUT OFF SHIELDS AND/OR HEADS MAY BE REQUIRED UPON FIELD INSPECTION

Detail: **TYPICAL LIGHT POLE AND BASE**
SCALE: NTS
DETAIL NO: SF-7
Standards Issue: 22_02
185 S. State Street
Salt Lake City, Utah 84111



SITE DETAILS

Plot Date: 2023-06-30 File Location: O:\2020-Denver\DC-Civil\Projects\2021\21-122-0001-Maverik Lincoln and Dransfeldt\21-122-0001 SITE.dwg

LINCOLN PROFESSIONAL PARK FILING NO. 1 LOT 1 MAVERIK INC. STORE SITE PLAN

SITUATED IN THE NORTHWEST ¼ OF SECTION 15,
TOWNSHIP 6 SOUTH, RANGE 66 WEST OF THE 6TH P.M.
TOWN OF PARKER, COUNTY OF DOUGLAS, STATE OF COLORADO

PROJECT NUMBER

21-122-0001

ISSUE DATE:

JUNE 30, 2023

REVISIONS:

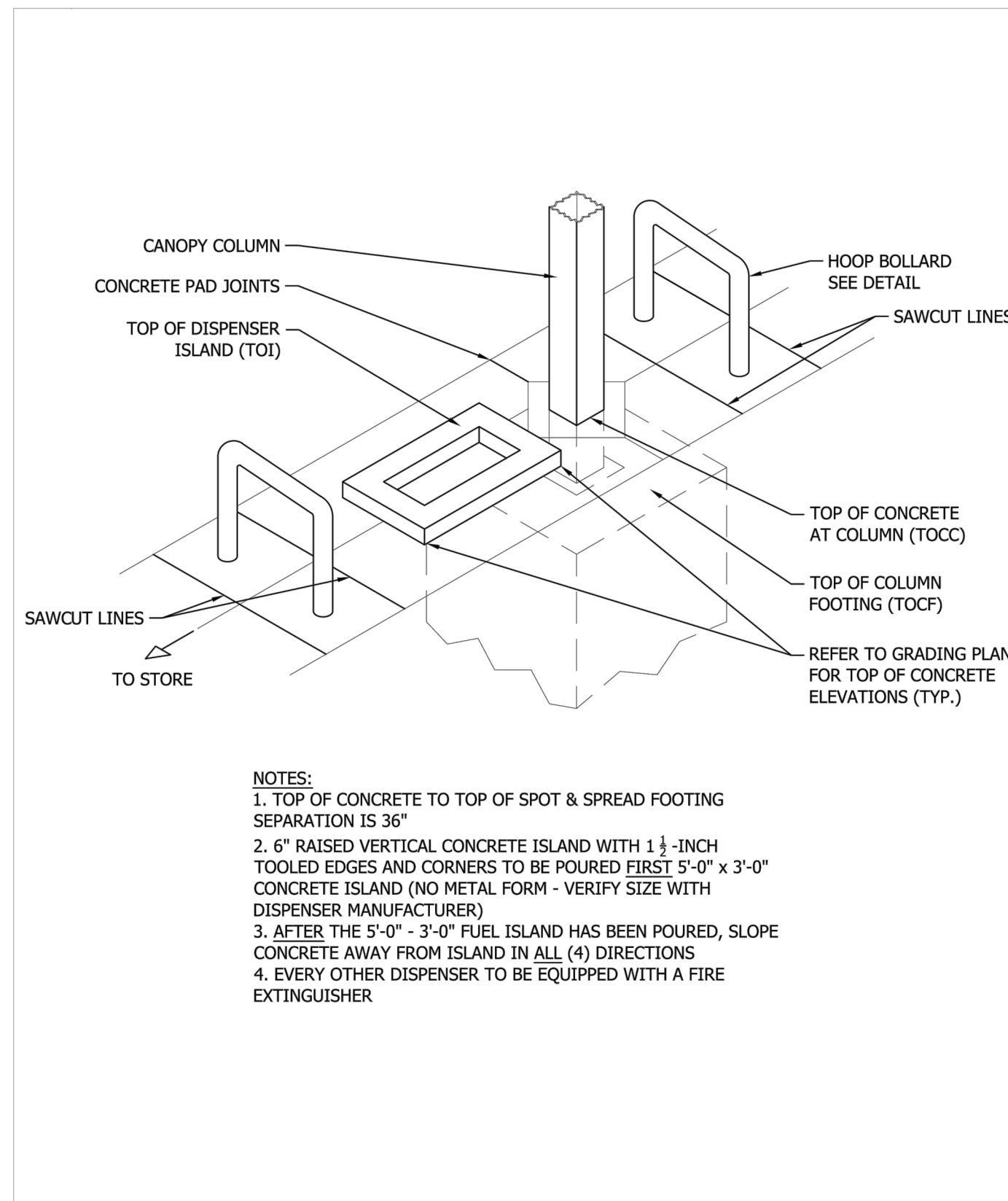
No.	Date	Description
1	5-24-22	CITY REVIEW
2	7-13-22	CITY REVIEW
3	10-19-22	CITY REVIEW
4	10-26-22	CITY REVIEW
5	12-08-22	CITY REVIEW
6	1-09-23	CITY REVIEW
7	3-10-23	CITY REVIEW
8	5-17-23	CITY REVIEW
9	6-30-23	CITY REVIEW

NOTE:
Bid documents should not be separated or issued as partial sets to subcontractors. Bidders are responsible for all portions of the documents that pertain to work covered by sub-bids. Bidder assumes full responsibility for error or misinterpretations resulting from partial sets of Bidding Documents by itself or any sub-bidder.

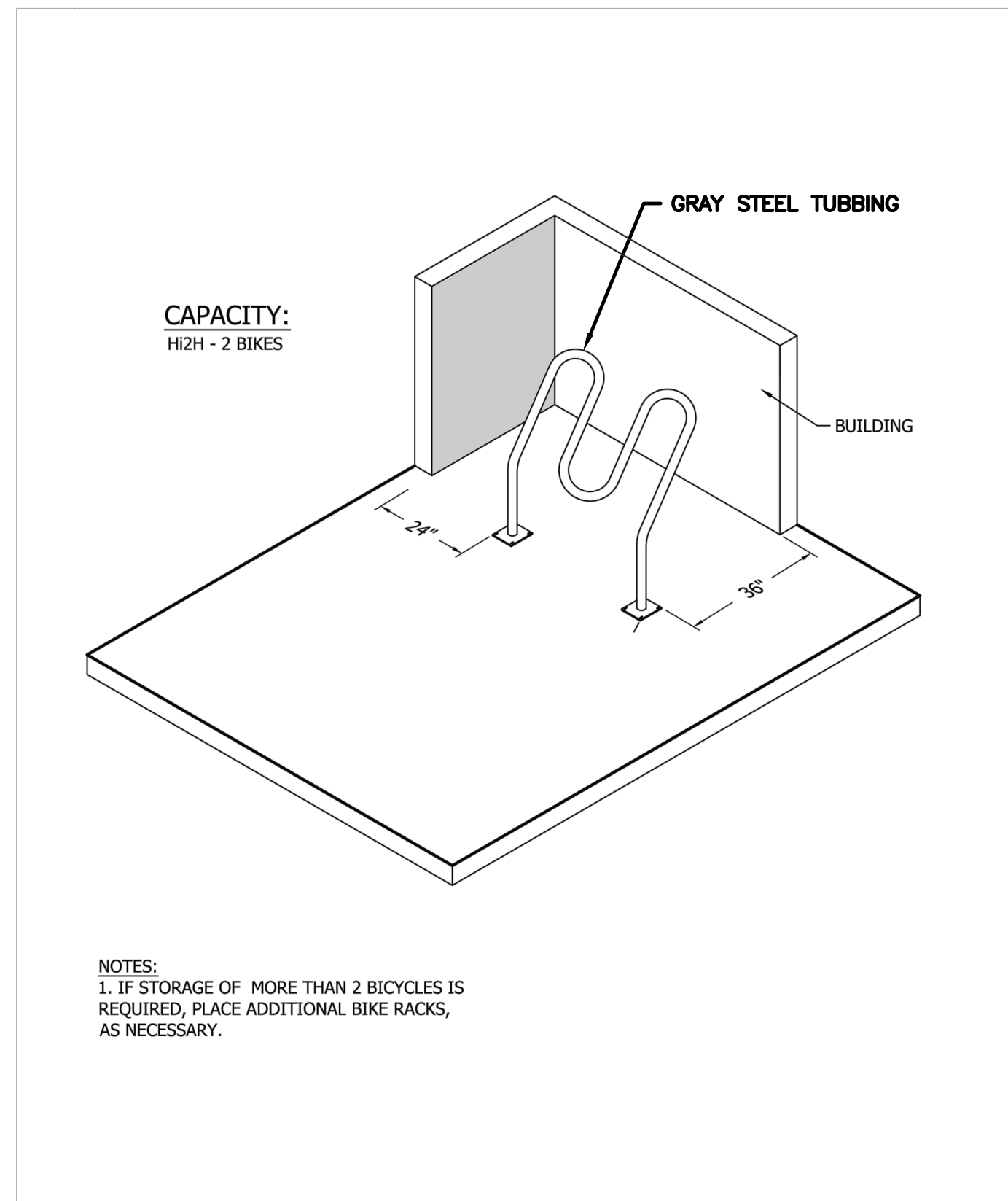
Conflicting information or errors found in the construction documents should be brought to the attention of the architect immediately. In the event of a conflict in the drawings, bidder shall not assume the least expensive option will meet the project requirements.



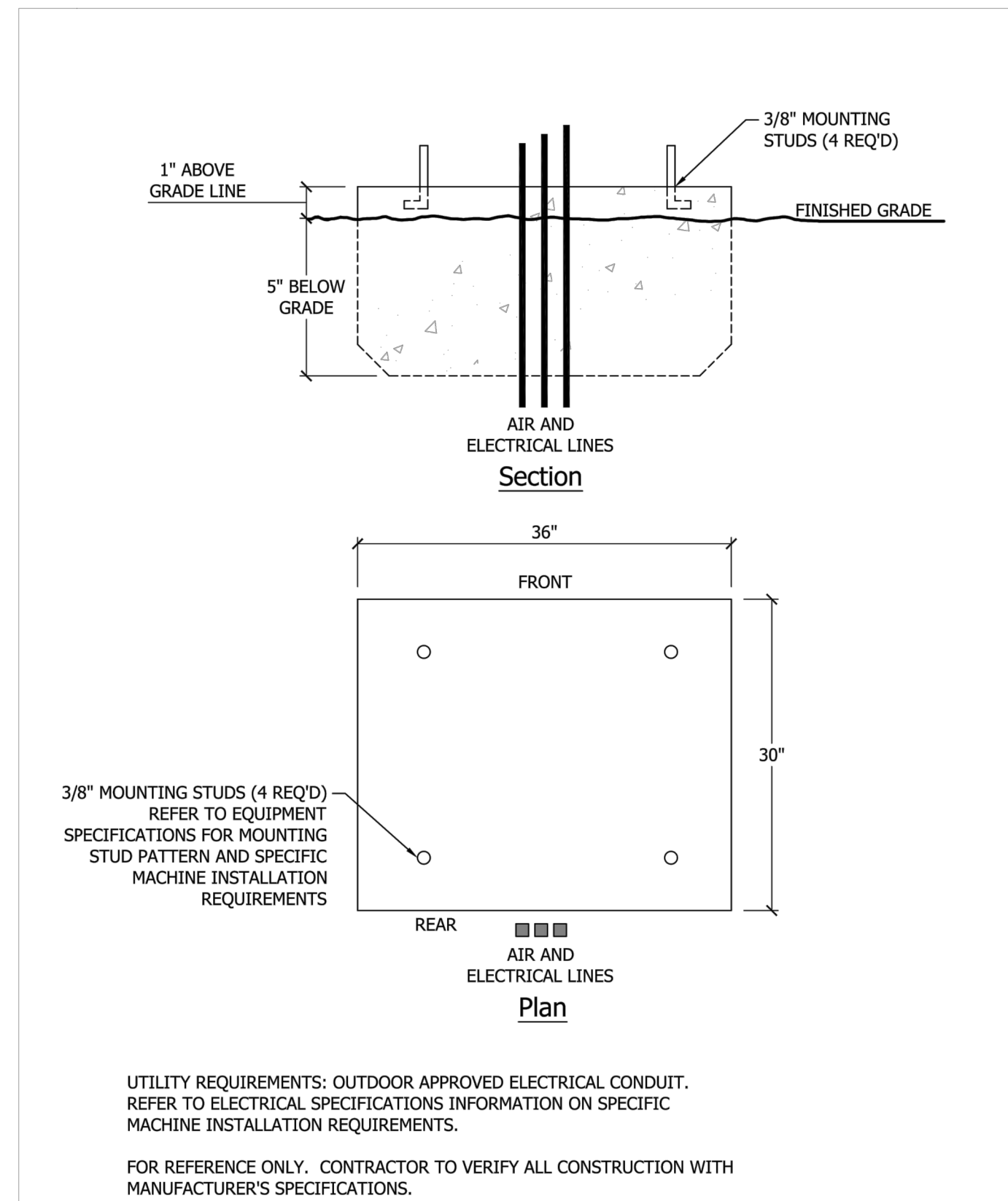
MAVERIK INC. STORE
LINCOLN AVE. AND DRANSFELDT RD.
PARKER, CO
SITE PLAN



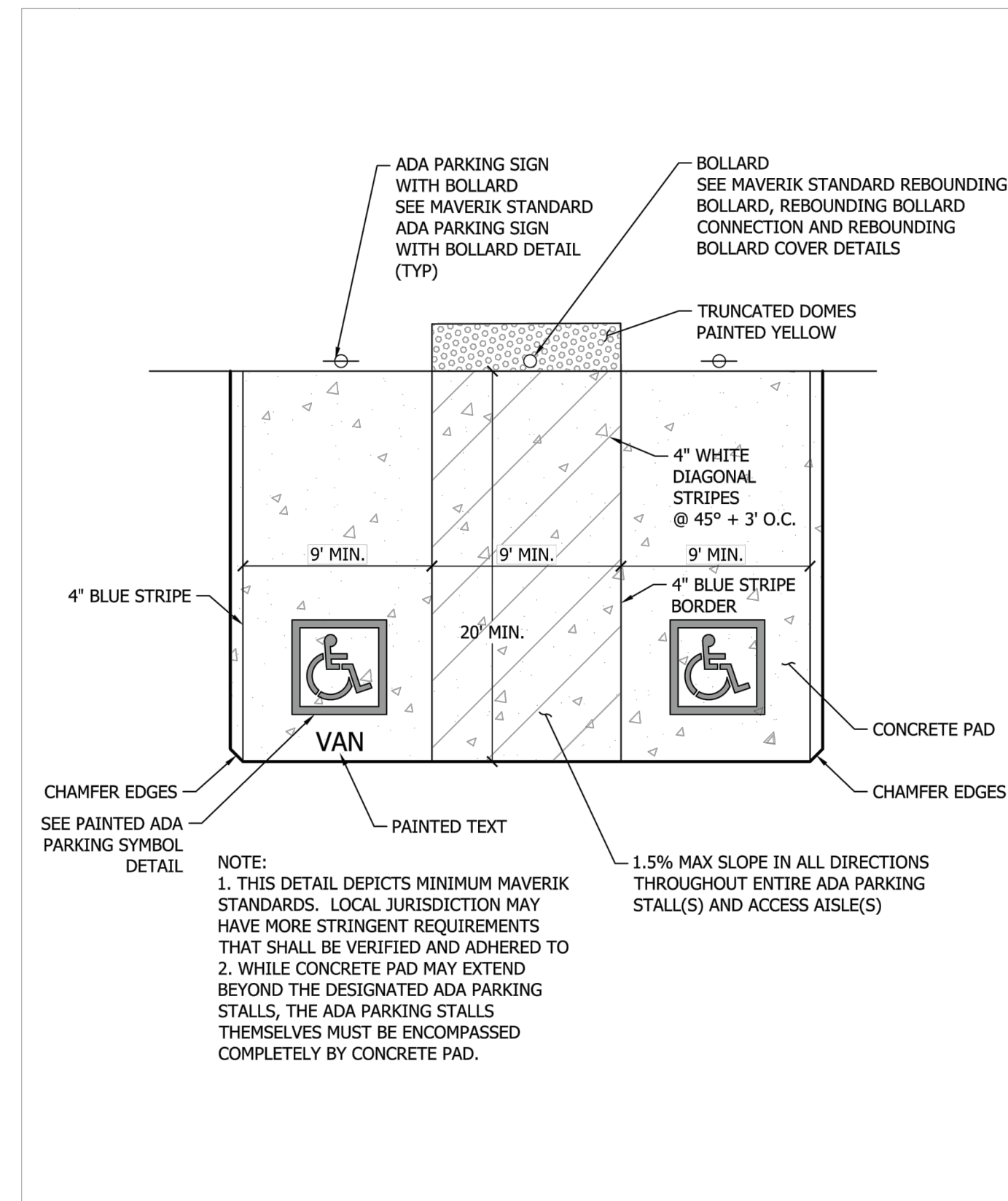
Detail: **FUEL DISPENSER BASE**
 SCALE: NTS
 DETAIL NO: **SF-8**
 MAVERIK Standards Issue: 22_02 185 S. State Street Salt Lake City, Utah 84111



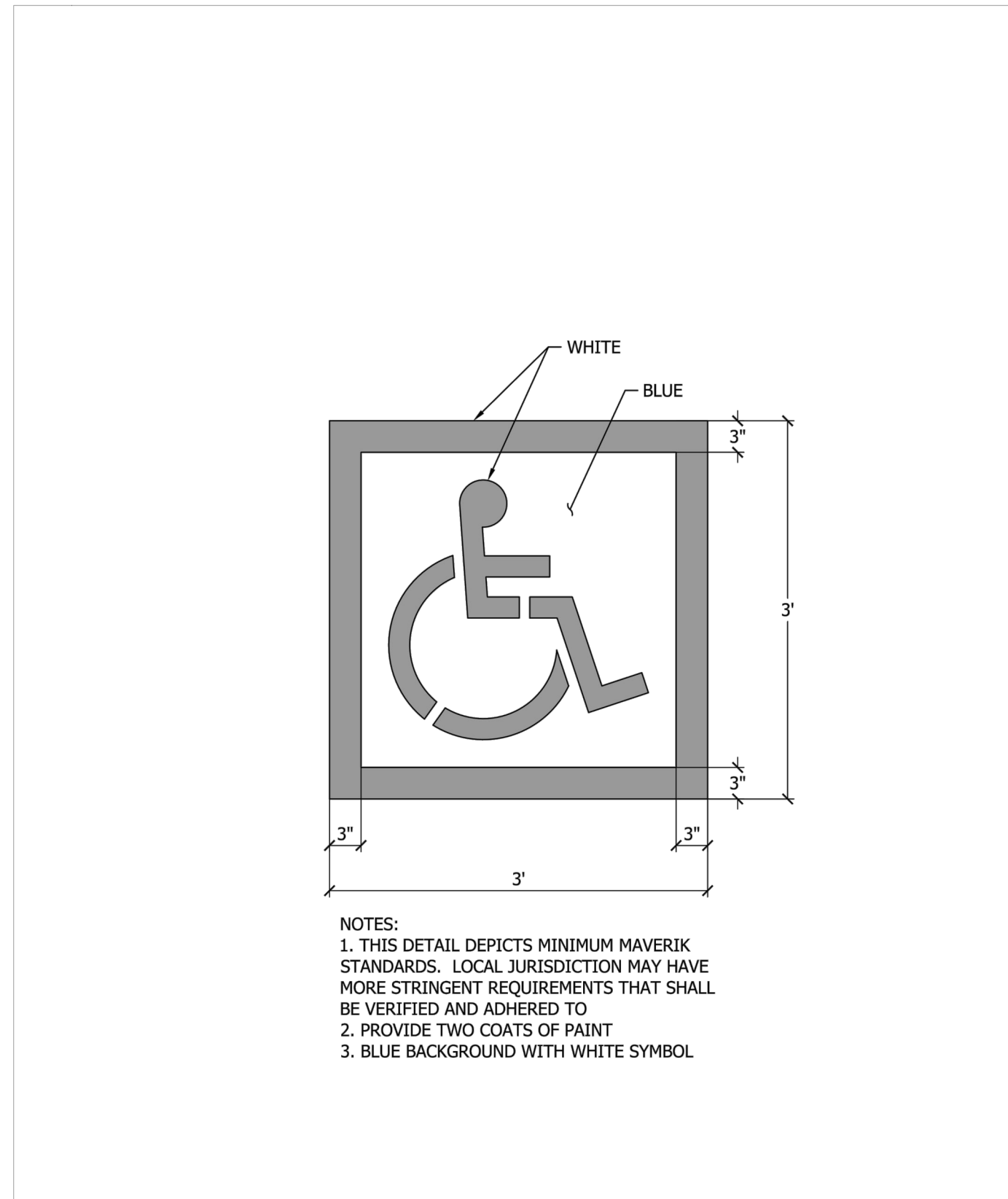
Detail: **"HI-ROLLER" BIKE RACK**
 SCALE: NTS
 DETAIL NO: **SF-9**
 MAVERIK Standards Issue: 22_02 185 S. State Street Salt Lake City, Utah 84111



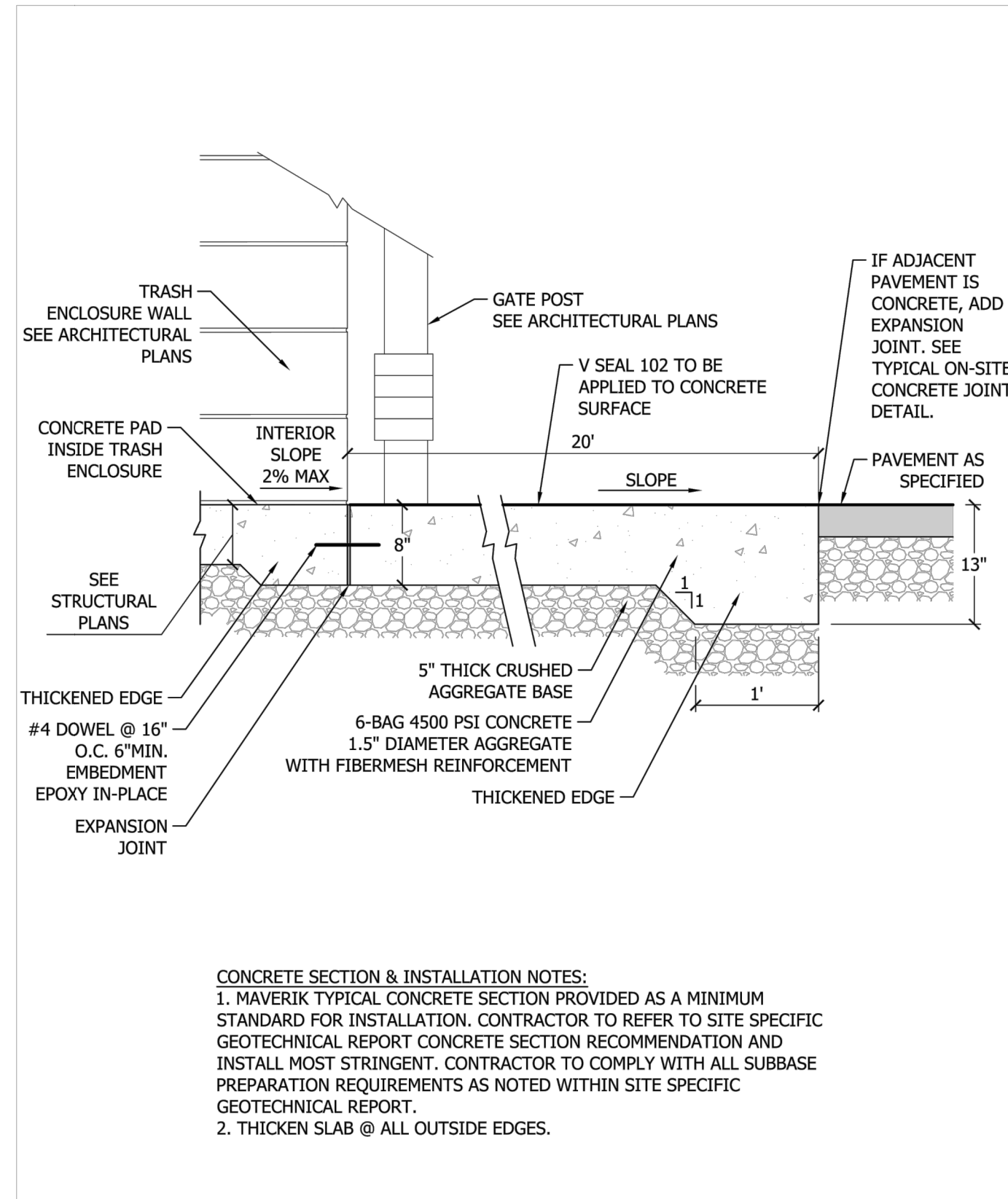
Detail: **XACTAIR AIR STATION FOUNDATION**
 SCALE: NTS
 DETAIL NO: **SF-10**
 MAVERIK Standards Issue: 22_02 185 S. State Street Salt Lake City, Utah 84111



Detail: **ADA PARKING**
 SCALE: NTS
 DETAIL NO: **SF-12**
 MAVERIK Standards Issue: 22_02 185 S. State Street Salt Lake City, Utah 84111



Detail: **PAINTED ADA PARKING SYMBOL**
 SCALE: NTS
 DETAIL NO: **SF-13**
 MAVERIK Standards Issue: 22_02 185 S. State Street Salt Lake City, Utah 84111



Detail: **TRASH ENCLOSURE ACCESS PAD**
 SCALE: NTS
 DETAIL NO: **C-5**
 MAVERIK Standards Issue: 22_02 185 S. State Street Salt Lake City, Utah 84111



EDCI
ENGINEERS
 1331 17TH STREET • SUITE 605
 DENVER, COLORADO 80202
 PHONE: (720) 439-4700
 WEBSITE: www.edci-engineers.com
 CIVIL / STRUCTURAL

SITE DETAILS

LINCOLN PROFESSIONAL PARK FILING NO. 1 LOT 1 MAVERIK INC. STORE SITE PLAN

SITUATED IN THE NORTHWEST 1/4 OF SECTION 15,
TOWNSHIP 6 SOUTH, RANGE 66 WEST OF THE 6TH P.M.
TOWN OF PARKER, COUNTY OF DOUGLAS, STATE OF COLORADO

PROJECT NUMBER

21-122-0001

ISSUE DATE:

JUNE 30, 2023

REVISIONS:

No.	Date	Description
1	5-24-22	CITY REVIEW
2	7-13-22	CITY REVIEW
3	10-19-22	CITY REVIEW
4	10-26-22	CITY REVIEW
5	12-08-22	CITY REVIEW
6	1-09-23	CITY REVIEW
7	3-10-23	CITY REVIEW
8	5-17-23	CITY REVIEW
9	6-30-23	CITY REVIEW

NOTE:
Bid documents should not be separated or issued as partial sets to subcontractors. Bidders are responsible for all portions of the documents that pertain to work covered by sub-bids. Bidder assumes full responsibility for error or misinterpretations resulting from partial sets of Bidding Documents by itself or any sub-bidder.

Conflicting information or errors found in the construction documents should be brought to the attention of the architect immediately. In the event of a conflict in the drawings, bidder shall not assume the least expensive option will meet the project requirements.



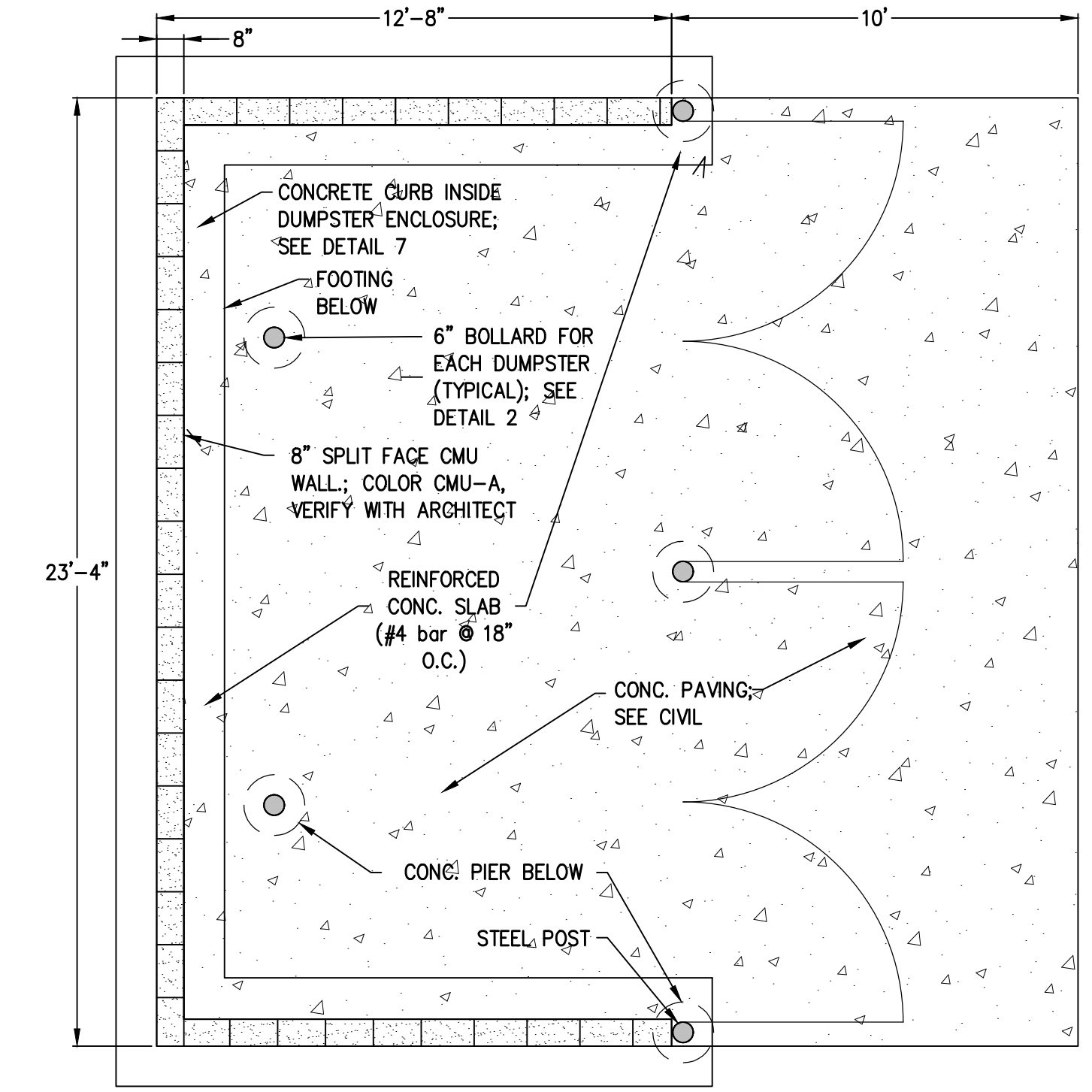
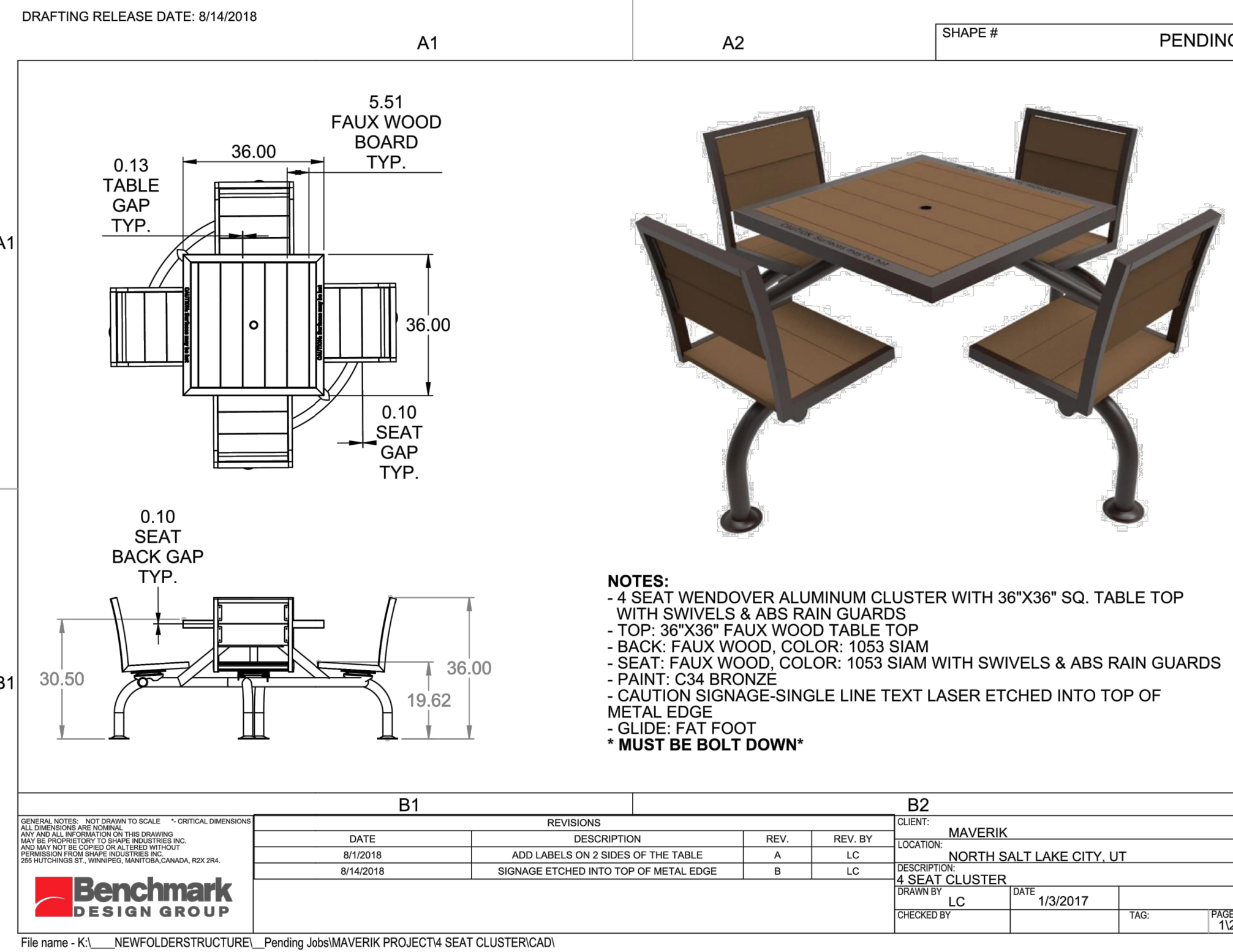
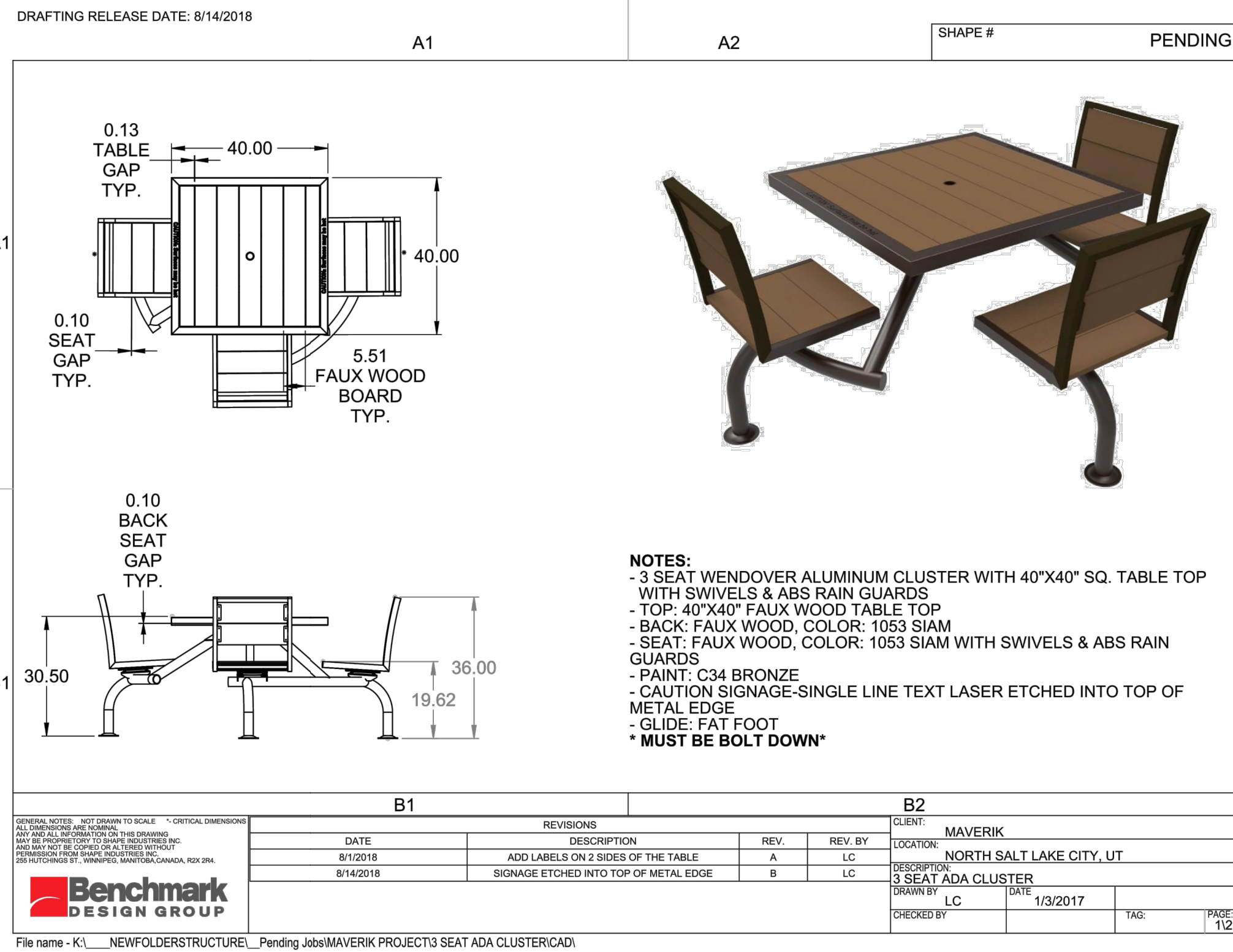
MAVERIK INC. STORE
LINCOLN AVE. AND DRANSFELDT RD.
PARKER, CO
SITE PLAN



EDCI ENGINEERS
1331 17TH STREET SUITE 605
DENVER, COLORADO 80202
PHONE: (720) 439-4700
WEBSITE: www.edci-engineers.com
CIVIL / STRUCTURAL
© Copyright 2023 EDCI ENGINEERS, Inc. All Rights Reserved.

SITE DETAILS

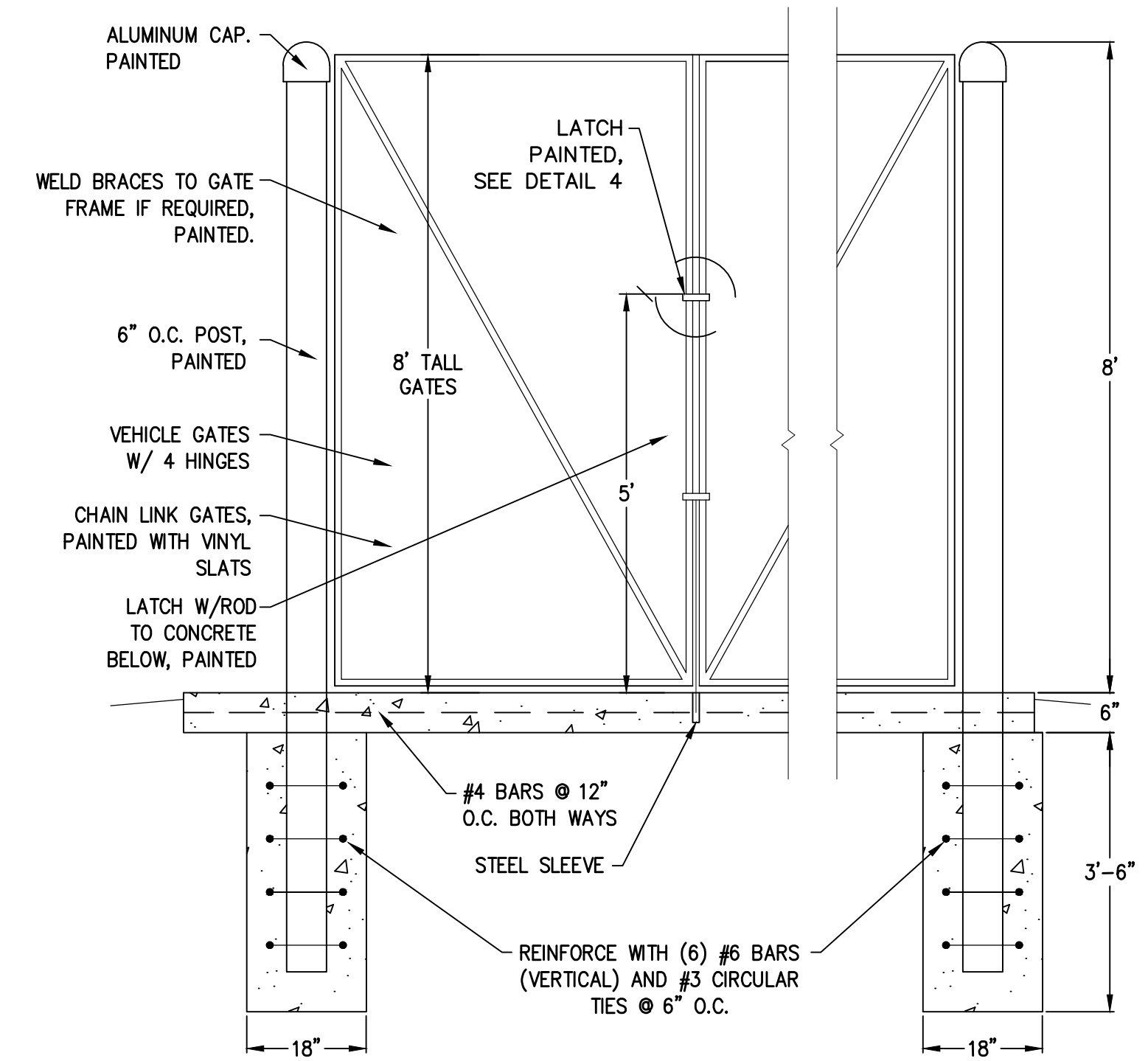
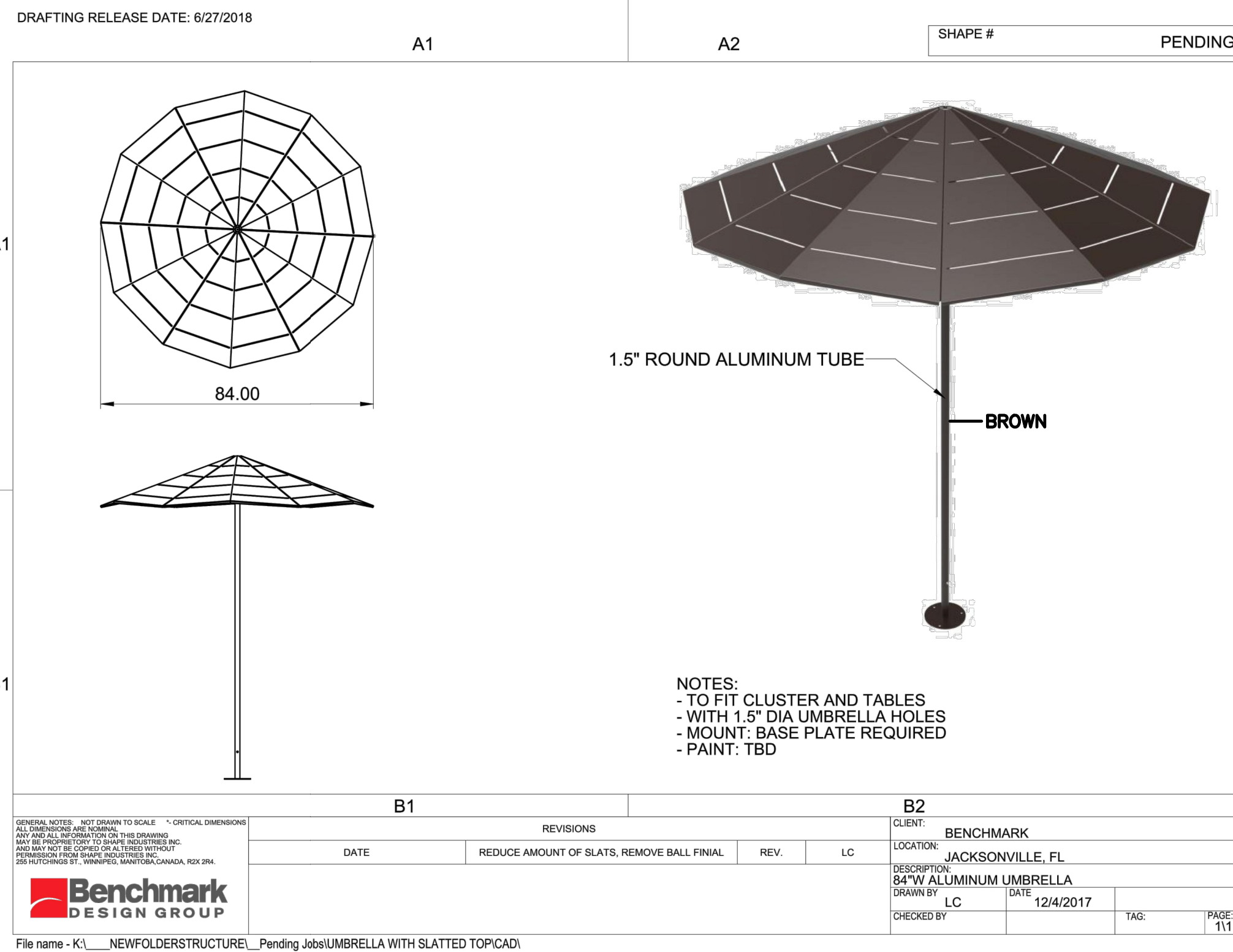
11 OF 26



DOUBLE TRASH ENCLOSURE DETAIL

SCALE : NTS

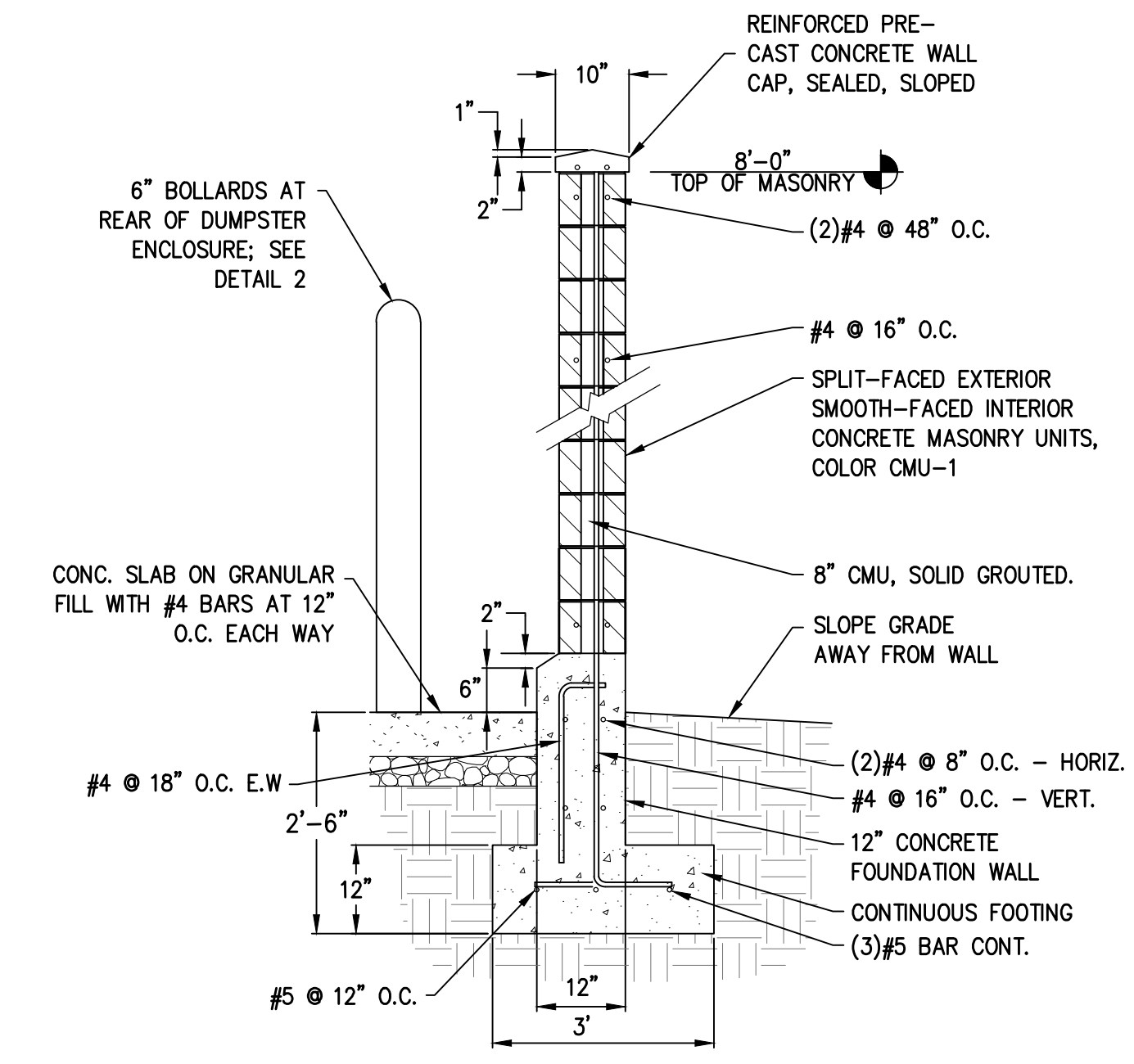
1



TRASH ENCLOSURE GATE DETAIL

SCALE : NTS

2



TRASH ENCLOSURE WALL SECTION

SCALE : NTS

3

