

LINCOLN PROFESSIONAL PARK FILING NO. 1 LOT 1 MAVERIK INC. STORE UTILITY PLANS

SITUATED IN THE NORTHWEST ¼ OF SECTION 15,
TOWNSHIP 6 SOUTH, RANGE 66 WEST OF THE 6TH P.M.
TOWN OF PARKER, COUNTY OF DOUGLAS, STATE OF COLORADO

PROJECT NUMBER

21-122-0001

ISSUE DATE:

JUNE 30, 2023

REVISIONS:

No.	Date	Description
1	5-24-22	CITY REVIEW
2	7-13-22	CITY REVIEW
3	10-19-22	CITY REVIEW
4	10-26-22	CITY REVIEW
5	12-08-22	CITY REVIEW
6	1-09-23	CITY REVIEW
7	3-10-23	CITY REVIEW
8	5-17-23	CITY REVIEW
9	6-30-23	CITY REVIEW

NOTE:
Bid documents should not be separated or issued as partial sets to subcontractors. Bidders are responsible for all portions of the documents that pertain to work covered by sub-bids. Bidder assumes full responsibility for error or misinterpretations resulting from partial sets of Bidding Documents by itself or any sub-bidder.

Conflicting information or errors found in the construction documents should be brought to the attention of the architect immediately. In the event of a conflict in the drawings, bidder should not assume the least expensive option will meet the project requirements.



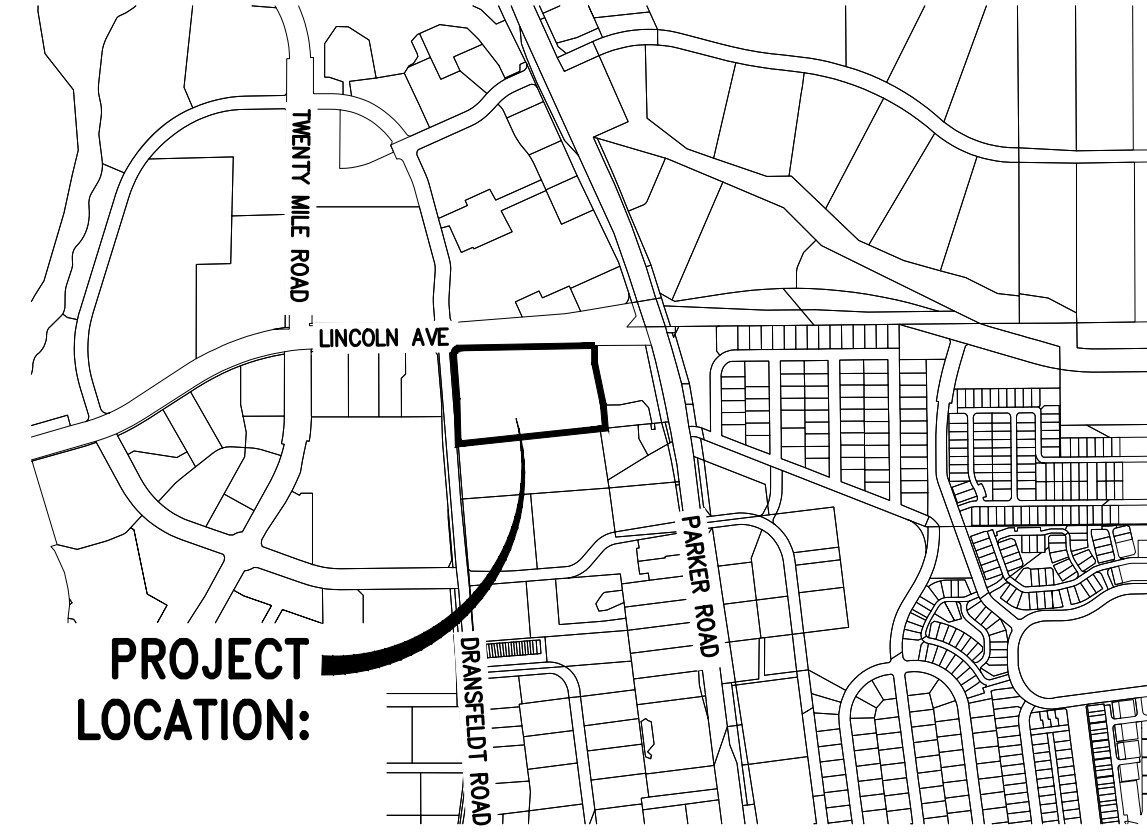
MAVERIK INC. STORE
LINCOLN AVE. AND DRANSFELDT RD.
PARKER, CO

LEGEND:

NEW SANITARY SEWER LINE	
EXT. SANITARY SEWER LINE	
NEW STORM DRAIN LINE	
EXT. STORM DRAIN LINE	
NEW WATER LINE	
EXIST. WATER LINE	
NEW & EXIST. CATCH BASIN	
NEW & EXIST. AREA DRAIN	
STORM DRAIN MANHOLE	
SANITARY SEWER MANHOLE	
NEW & EXIST. CLEANOUT (SD & SSWR)	
NEW ROOF DOWNSPOUT	
NEW & EXIST. GAS METER	
NEW & EXIST. FIRE HYDRANT	
NEW & EXIST. WATER METER	
NEW & EXIST. WATER VALVE	
FITTING WITH THRUST BLOCK	
SURFACE WATER & PIPE DIRECTION FLOW	
EXISTING CONTOUR	
NEW CONTOUR	
EXISTING SURFACE ELEVATION	
FINISHED SURFACE ELEVATION	
TOP OF WALL/TOE OF WALL	
RIP RAP	
NEW CEMENT CONCRETE	
COORDINATES, & LEADERS	
NEW CONCRETE CURB	
NEW CONCRETE CURB & GUTTER	

ABBREVIATIONS:

ACP	ASPHALT CONCRETE PAVEMENT	GV	GATE VALVE
AD	AREA DRAIN	HDPE	HIGH DENSITY POLYETHYLENE
BLDG	BUILDING	HYD	HYDRANT
BM	BENCHMARK	I.E.	INVERT ELEVATION
BNDRY	BOUNDARY	INV	INVERT
BOW	BOTTOM OF WALL	IRR	IRRIGATION WATER
CTV	CABLE TV	LF	LINEAR FEET
C&G	CURB AND GUTTER	MH	MANHOLE
CB	CATCH BASIN	MJ	MECHANICAL JOINT
CL	CLASS	P	POWER
CL	CENTER LINE	PIV	POST INDICATOR VALVE
CMP	CORRUGATED METAL PIPE	PP	POWER POLE
CONC.	CONCRETE	PL	PROPERTY LINE
CPEP	CORRUGATED POLYETHYLENE PIPE	RAD (R)	RADIUS
CTR	CENTER(ED)	RCP	REINFORCED CONCRETE PIPE
DCVA	DOUBLE CHECK VALVE ASSEMBLY	RD	ROAD
DDCV	DOUBLE DETECTOR CHECK VALVE	RET	RETAINING
D.I.	DUCTILE IRON	ROW	RIGHT OF WAY
DIA (Ø)	DIAMETER	SD	STORM DRAIN
DIM	DIMENSION	S.F.	SQUARE FEET
DS	DOWN SPOUT	SS	SANITARY SEWER
EL=	ELEVATION	STA	STATION
EOP	EDGE OF PAVEMENT	TOE	TOE OF WALL, OR SLOPE
FD	FLOOR DRAIN	T	TELEPHONE WIRE
FDC	FIRE DEPARTMENT CONNECTION	TBM	TEMPORARY BENCH MARK
FFE	FINISH FLOOR ELEVATION	T.C.	TOP OF CURB
FH	FIRE HYDRANT FL FLANGED	TG	TOP OF GRATE
G	GAS MAIN	TOP	TOP OF SLOPE
GB	GRADE BREAK	TOW	TOP OF WALL
GM	GAS METER	TV	TELEVISION WIRE
GRD	GRADE		



SHEET INDEX

COVER SHEET	1
NOTES	2
OVERALL UTILITY PLAN	3
SANITARY SEWER PLAN AND PROFILE	4
WATER PLAN AND PROFILE	5
SANITARY SEWER DETAILS	6
WATER DETAILS	7

PROJECT TEAM:

DEVELOPER/APPLICANT:

MAVERIK INC.
185 S. STATE STREET, SUITE 800
SALT LAKE CITY, UT 84111
CONTACT: CASSIE YOUNGER
PHONE: (801) 936-5557

CIVIL ENGINEER:

DCI ENGINEERS
1331 17TH STREET SUITE 605
DENVER, CO 80202
CONTACT: MANNY NUNO, P.E.
PHONE: (720) 464-7728

LANDSCAPE ARCHITECT:

RUSSELL MILLS STUDIO
2245 CURTIS STREET SUITE 100
DENVER, CO 80205
CONTACT: NATE STARK, R.L.A.
PHONE: (303) 709-0704

APPLICANT:

DCI ENGINEERS
1331 17TH STREET, SUITE 605
DENVER, COLORADO 80202
MANUEL NUNO P.E. (720) 439-4700

WATER QUANTITIES LIST

1" FROST PROOF YARD HYDRANT	1	EA
1" TYPE "K" COPPER	79	LF
1" BALL VALVE INSIDE VALVE BOX	1	EA
1" 22-1/2" BEND	1	EA
2" INTERIOR SET METER	1	EA
2" CURB STOP	1	EA
2" TYPE "K" COPPER	216	LF
2" 22-1/2" BEND WITH KICK BLOCK	1	EA
2" 90° BEND WITH KICK BLOCK	1	EA
2" PLUG	2	EA
4" C-900 PVC DR-14	212	LF
4" 22-1/2" BEND WITH KICK BLOCK	1	EA
4" 90° BEND WITH KICK BLOCK	1	EA
4" BACKFLOW PREVENTION DEVICE ASSEMBLY	1	EA
4" PLUG	1	EA
4" FIRE DEPT. CONNECTION (FDC)	1	EA
6" DUCTILE IRON PIPE (DIP)	115	LF
6" GATE VALVE	1	EA
8"x6" SWVEL TEE	1	EA
6" FIRE HYDRANT	1	EA
6" DIP FIRE HYDRANT LINE	159	LF

SANITARY QUANTITIES LIST

3" GREASE INTERCEPTOR VENT LINE	118	LF
3" CLEAN-OUT	1	EA
4" PVC SDR	248	LF
4" CLEAN-OUT	7	EA
6" PVC SDR	202	LF
6" CLEAN-OUT	1	EA
1,500 GAL GREASE INTERCEPTOR	1	EA
SAMPLING MANHOLE	1	EA

ALL FIRE HYDRANTS SHALL BE INSTLLED ACCORDING TO WATER UTILITY STANDARDS. THE NUMBER AND LOCATIONS OF THE FIRE HYDRANTS AS SHWON ON THE OVERALL UTILITY PLAN ARE CORRECT AS SPECIFIED BY THE TOWN OF PARKER COMMUNITY DEVELOPMENT DEPARTMENT

Manuel Nuno
09/30/2024
FIRE CODE OFFICAL OR DESIGNATED PREPRESENTATIVE DATE

[NOTE - UNDERGROUND FIRE LINE (ULF) SUBMITTAL DOCUMENTS MUST MEET THE REQUIREMENTS OF NFPA 24 WHEN SUBMITTING FOR REVIEW.]

LEGAL DESCRIPTION

A PARCEL OF LAND SITUATED IN THE NORTHWEST QUARTER OF SECTION 15, TOWNSHIP 6 SOUTH, RANGE 66 WEST OF THE SIXTH PRINCIPAL MERIDIAN, COUNTY OF DOUGLAS, STATE OF COLORADO, MORE PARTICULARLY DESCRIBED AS FOLLOWS:

COMMENCING AT THE NORTHWEST CORNER OF SAID SECTION 15;
THENCE SOUTH 83°44'03" EAST, A DISTANCE OF 846.76 FEET TO A POINT ON THE SOUTH RIGHT-OF-WAY LINE OF LINCOLN AVENUE AND THE POINT OF BEGINNING;

THENCE NORTH 89°29'00" EAST ALONG SAID SOUTH RIGHT-OF-WAY LINE, A DISTANCE OF 697.77 FEET TO THE NORTHWEST CORNER OF LOT 1, PEASLEE SUBDIVISION FILING NO. 1, RECORDED AT RECEPTION NO. 99104313;
THENCE ALONG THE WEST LINE OF SAID LOT 1 THE FOLLOWING TWO (2) COURSES:

- 1) SOUTH 00°31'00" EAST, A DISTANCE OF 89.84 FEET;
- 2) SOUTH 11°49'46" EAST, A DISTANCE OF 225.08 FEET TO THE NORTHWEST CORNER OF LOT 1, PEASLEE SUBDIVISION FILING NO. 2, RECORDED AT RECEPTION NO. 2005085666;

THENCE SOUTH 05°51'51" EAST ALONG THE WEST LINE OF SAID LOT 1, A DISTANCE OF 120.83 FEET TO A POINT ON THE NORTH LINE OF LOT 1B, PARKER PROFESSIONAL PARK FIRST AMENDMENT, RECORDED AT RECEPTION NO. 8725509;

THENCE SOUTH 84°07'50" WEST ALONG SAID NORTH LINE, A DISTANCE OF 24.51 FEET TO THE NORTHEAST CORNER OF LOT 1, BLOCK 1 E.T. TECHNOLOGIES INC., RECORDED AT RECEPTION NO. 2002093991;

THENCE ALONG SAID NORTH LINE THE FOLLOWING TWO (2) COURSES:

- 1) SOUTH 82°44'13" WEST, A DISTANCE OF 163.50 FEET;
- 2) SOUTH 84°51'34" WEST, A DISTANCE OF 577.15 FEET TO A POINT ON THE EAST RIGHT-OF-WAY LINE OF DRANSFELDT ROAD DEEDED BY RECEPTION NO. 2002088425 AND A POINT OF NON-TANGENT CURVATURE:

THENCE ALONG SAID EAST RIGHT-OF-WAY LINE THE FOLLOWING SIX (6) COURSES:

- 1) ALONG THE ARC OF SAID CURVE TO THE RIGHT AN ARC LENGTH OF 25.79 FEET, SAID CURVE HAVING A RADIUS OF 660.00 FEET, A CENTRAL ANGLE OF 02°14'19" AND A CHORD WHICH BEARS NORTH 02°20'42" WEST A CHORD DISTANCE OF 25.79 FEET;
- 2) NORTH 01°13'32" WEST, A DISTANCE OF 165.71 FEET TO A POINT OF CURVATURE;
- 3) ALONG THE ARC OF SAID CURVE TO THE LEFT AN ARC LENGTH OF 43.04 FEET, SAID CURVE HAVING A RADIUS OF 740.00 FEET, A CENTRAL ANGLE OF 03°19'57", AND A CHORD WHICH BEARS NORTH 02°53'30" WEST A CHORD DISTANCE OF 43.03 FEET;
- 4) NORTH 04°33'29" WEST, A DISTANCE OF 217.83 FEET TO A POINT OF CURVATURE;
- 5) ALONG THE ARC OF SAID CURVE TO THE RIGHT AN ARC LENGTH OF 49.23 FEET, SAID CURVE HAVING A RADIUS OF 30.00 FEET, A CENTRAL ANGLE OF 94°01'51", AND A CHORD WHICH BEARS NORTH 42°27'27" EAST A CHORD DISTANCE OF 43.89 FEET;
- 6) NORTH 04°33'21" WEST, A DISTANCE OF 15.04 FEET TO THE POINT OF BEGINNING.

SAID PARCEL CONTAINS 346,479 SQUARE FEET OR 7.95 ACRES, MORE OR LESS

BASIS OF BEARING

BEARINGS ARE BASED ON THE NORTH LINE OF THE NORTHWEST QUARTER OF SECTION 15, TOWNSHIP 6 SOUTH, RANGE 66 WEST OF THE 6TH PRINCIPAL MERIDIAN, AS MONUMENTED AT BOTH THE NORTHWEST QUARTER CORNER AND THE NORTH QUARTER CORNER BY 3.25" ALUMINIUM CAPS, ASSUMED TO BEAR SOUTH 89°29'00" WEST.

BENCHMARK

BENCHMARK IS THE NW CORNER SECTION 15, T6S R 66W, BEING A 3.5" ALUMINUM CAP LS 19003 1999 IN RANGE BOX, ELEVATION=5806.79' NAVD 88.

ALL FIRE HYDRANTS SHALL BE INSTALLED ACCORDING TO WATER UTILITY STANDARDS. THE NUMBER AND LOCATIONS OF THE FIRE HYDRANTS AS SHOWN ON THE OVERALL UTILITY PLAN ARE CORRECT AS SPECIFIED BY THE TOWN OF PARKER, COMMUNITY DEVELOPMENT DEPARTMENT.

Manuel Nuno
09/30/2024
FIRE CODE OFFICAL OR DESIGNATED REPRESENTATIVE DATE

(NOTE - UNDERGROUND FIRE LINE (ULF) SUBMITTAL DOCUMENTS MUST MEET THE REQUIREMENTS OF NFPA 24 WHEN SUBMITTING FOR REVIEW)

THE DISTRICT INSPECTOR MUST BE NOTIFIED AT LEAST 48 HOURS PRIOR TO START OF CONSTRUCTION. CALL PARKER WATER AND SANITATION DISTRICT AT 303-841-4627. THE DISTRICT WILL PROVIDE PERIODIC INSPECTIONS OF THE WORK. 24 HOUR NOTICE TO THE INSPECTOR IS REQUIRED FOR SCHEDULING INSPECTIONS. ANY WORK ACCOMPLISHED WITHOUT THE APPROVAL OF THE INSPECTOR WILL BE SUBJECT TO REJECTION.

REVIEWED FOR CONFORMANCE TO PARKER WATER AND SANITATION DISTRICT STANDARDS.

BY: *Dorion Danderson*
(DISTRICT REPRESENTATIVE)

DATE: Oct 01 2024

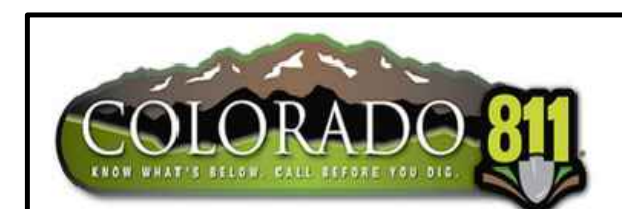
APPROVED FOR CONSTRUCTION:
PARKER WATER AND SANITATION DISTRICT

BY: *Robert Reynolds*
(DISTRICT ENGINEER)

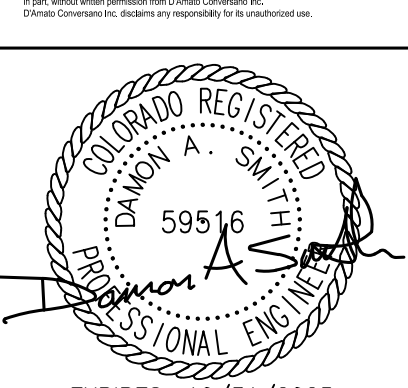
DATE: Oct 01 2024

CONTRACTOR NOTE:

ALL EXISTING UTILITIES SHOWN ON PLANS ARE TO BE VERIFIED HORIZONTALLY AND VERTICALLY PRIOR TO ANY CONSTRUCTION. ALL EXISTING FEATURES INCLUDING BURIED UTILITIES ARE SHOWN AS INDICATED ON RECORD MAPS AND SURVEYS FURNISHED BY OTHERS. WE ASSUME NO LIABILITY FOR THE ACCURACY OF THOSE RECORDS AND SURVEYS. CONTACT THE UTILITY OWNER/AGENCY FOR THE FINAL LOCATION OF EXISTING UTILITIES IN AREAS CRITICAL TO CONSTRUCTION.



EDCI ENGINEERS
1331 17TH STREET • SUITE 605
DENVER, COLORADO 80202
PHONE: (720) 439-4700
WEBSITE: www.edci-engineers.com



EXPIRES: 10/31/2025

COVER SHEET

1 OF 7

LINCOLN PROFESSIONAL PARK FILING NO. 1 LOT 1 MAVERIK INC. STORE UTILITY PLANS

SITUATED IN THE NORTHWEST ¼ OF SECTION 15,
TOWNSHIP 6 SOUTH, RANGE 66 WEST OF THE 6TH P.M.
TOWN OF PARKER, COUNTY OF DOUGLAS, STATE OF COLORADO

PROJECT NUMBER

21-122-0001

ISSUE DATE:

JUNE 30, 2023

REVISIONS:

No.	Date	Description
1	5-24-22	CITY REVIEW
2	7-13-22	CITY REVIEW
3	10-19-22	CITY REVIEW
4	10-26-22	CITY REVIEW
5	12-08-22	CITY REVIEW
6	1-09-23	CITY REVIEW
7	3-10-23	CITY REVIEW
8	5-17-23	CITY REVIEW
9	6-30-23	CITY REVIEW

NOTE:
Bid documents should not be separated or issued as partial sets to subcontractors. Bidders are responsible for all portions of the documents that pertain to work covered by sub-bids. Bidder assumes full responsibility for error or misinterpretations resulting from partial sets of Bidding Documents by itself or any sub-bidder.

Conflicting information or errors found in the construction documents should be brought to the attention of the architect immediately. In the event of a conflict in the drawings, bidder should not assume the least expensive option will meet the project requirements.

GENERAL NOTES:

- ALL MATERIALS AND WORKMANSHIP SHALL BE IN CONFORMANCE WITH THE PWSO ENGINEERING STANDARDS AND SPECIFICATIONS, LATEST VERSION.
- THE CONTRACTOR SHALL CONTACT ALL APPROPRIATE UTILITY COMPANIES AND THE TOWN OF PARKER, DOUGLAS COUNTY AND OTHER NEIGHBORING CITIES AND TOWNS PRIOR TO THE BEGINNING OF ANY CONSTRUCTION. CONTRACTOR SHALL BE RESPONSIBLE FOR LOCATING ANY EXISTING UTILITY (INCLUDING WHICH MAY CONFLICT WITH THE PROPOSED CONSTRUCTION. ALL EXISTING UTILITIES SHALL BE PROTECTED FROM DAMAGE BY THE CONTRACTOR. DAMAGED UTILITIES SHALL BE REPAIRED BY THE CONTRACTOR AT HIS OWN EXPENSE.
- ALL ITEMS SHOWN ON THE PLANS AS EXISTING ARE SHOWN IN APPROXIMATE LOCATIONS ONLY. THE ACTUAL LOCATIONS MAY VARY FROM THE PLANS, ESPECIALLY IN THE CASE OF UNDERGROUND UTILITIES. WHENEVER THE CONTRACTOR DISCOVERS A DISCREPANCY IN LOCATIONS CONTACT THE PWSO IMMEDIATELY.
- PWSO ENGINEER AND OTHER APPROVING AGENCIES ARE TO BE NOTIFIED 48 HOURS PRIOR TO CONSTRUCTION.
- THE CONTRACTOR SHALL OBTAIN, AT HIS EXPENSE, ALL PERMITS NECESSARY TO PERFORM THE PROPOSED WORK.
- ALL CONCRETE SHALL BE A MINIMUM OF CLASS A, 6 SACK, TYPE II, 3000-POUND COMPRESSION STRENGTH.
- THE DESIGN ENGINEER SHALL SUBMIT ONE (1) SET OF "AS-BUILT" DRAWINGS AND ELECTRONIC FILES TO THE DISTRICT ENGINEER FOR APPROVAL BY DISTRICT. AFTER APPROVAL HAS BEEN GRANTED BY THE DISTRICT ENGINEER, FULL SIZE PRINTS SHALL BE TRANSMITTED TO THE PWSO OFFICE.
- NO WORK SHALL BE BACKFILLED UNTIL THE CONSTRUCTION HAS BEEN INSPECTED AND APPROVED FOR BACKFILLING BY THE DISTRICT ENGINEER OR REPRESENTATIVE OF THE DISTRICT ENGINEER. ALL BACKFILL MATERIAL SHALL BE COMPACTED TO 95% STANDARD PROCTOR DENSITY. COMPACTION TESTS MUST BE SUBMITTED TO DISTRICT ENGINEER PRIOR TO PROBATIONARY ACCEPTANCE.
- TRENCHES SHALL BE EXCAVATED AND THE PIPE EXPOSED FOR THE INSPECTION AT ANY LOCATION ON THE PROJECT IF SO ORDERED BY THE INSPECTOR.
- THE CONTRACTOR WILL BE HELD RESPONSIBLE FOR THE PROPER FUNCTIONING OF LINES (WATER AND SEWER FOR UP TO TWO (2) YEARS FROM THE DATE OF PROBATIONARY ACCEPTANCE OF THE LINES BY THE DISTRICT. ANY MALFUNCTION DURING THIS PERIOD OF GUARANTEE SHALL BE REMEDIED BY THE CONTRACTOR TO THE SATISFACTION OF THE DISTRICT ENGINEER AT NO EXPENSE TO THE DISTRICT.
- SURFACE GRADES ARE TO BE WITHIN PLUS OR MINUS ONE FOOT OF FINISHED GRADE AND VERIFICATION OF COMPACTION RESULTS OBTAINED PRIOR TO THE INSTALLATION OF WATER AND SEWER LINES. RESULTS MUST BE SUBMITTED TO THE DISTRICT ENGINEER.
- ALL SERVICES WILL BE PERMANENTLY MARKED ON CURB FACE AS FOLLOWS:
"X" FOR SANITARY SERVICE SEWERS
"V" FOR WATER SERVICES
- NO TREES ALLOWED IN EASEMENTS OR WITHIN 8' OF WATER OR SANITARY SEWER MAINS IN RIGHT OF WAY.
- THE CONTRACTOR SHALL HAVE IN HIS POSSESSION AT ALL TIMES ONE (1) SIGNED COPY OF THE PLANS WHICH HAVE BEEN APPROVED BY THE PWSO AND THE DISTRICT ENGINEER AND ONE (1) COPY OF THE LATEST PWSO SPECIFICATION MANUAL.

WATER SYSTEM NOTES:

- ALL MATERIALS AND WORKMANSHIP SHALL BE IN CONFORMANCE WITH THE PWSO ENGINEERING STANDARDS AND SPECIFICATIONS, LATEST REVISION.
- ALL WATER MAINS SHALL BE PER PWSO MATERIALS SPECIFICATIONS. ALL MATERIALS IN CONTACT WITH POTABLE WATER SHALL BE SUITABLE FOR CHLORINATED AND CHLORAMINATED WATER.
- ALL BENDS, PLUGS, REDUCERS, AND FIRE HYDRANTS TO BE RODED OR MEGA-LUGGED. ALL FITTINGS SHALL BE WRAPPED PER PWSO MATERIALS SPECIFICATIONS.
- THERE SHALL BE A MINIMUM COVER OF 4.5 FEET OVER ALL WATER MAINS.
- FIRE HYDRANTS SHALL CONFORM TO AWWA C-502 "DRY BARREL FIRE HYDRANTS" PIPE HYDRANT ASSEMBLIES PER PWSO SPECIFICATIONS.
- ALL BENDS, TEES, FIRE HYDRANTS, BLOW-OFFS, AND PLUGS AT DEAD-END MAINS SHALL BE PROTECTED FROM THRUST WITH CONCRETE THRUST BLOCKS.
- PRECAUTIONS SHALL BE TAKEN TO PROTECT THE INTERIOR OF PIPES, FITTINGS, AND VALVES AGAINST CONTAMINATION. ALL OPENINGS IN THE PIPELINE SHALL BE CLOSED WITH WATERTIGHT PLUGS WHEN PIPE LAYING IS STOPPED AT THE CLOSE OF THE DAYS WORK OR FOR OTHER REASONS, SUCH AS REST BREAKS OR MEAL PERIODS.
- VALVES IN STREETS ARE TO BE LOCATED AT PROPERTY LINE EXTENSIONS EXCEPT FOR TAPPING TEES; WHERE AN ADDITIONAL VALVE SHALL BE PLACED ON THE TAPPING TEE. OTHER LOCATIONS SHOWN ON THE PLANS.
- WHEN NECESSARY TO LOWER OR RAISE WATER LINES AT STORM DRAINS AND OTHER UTILITY CROSSING, A MINIMUM CLEARANCE OF 1.5 FEET SHALL BE MAINTAINED BETWEEN OUTSIDE OF PIPES.
- THE CONTRACTOR SHALL NOTIFY THE PWSO AT LEAST 48 HOURS PRIOR TO ANY CONSTRUCTION. IF WORK IS SUSPENDED FOR ANY PERIOD OF TIME AFTER INITIAL START-UP, THE CONTRACTOR MUST NOTIFY THE DISTRICT ENGINEER 48 HOURS PRIOR TO RE-START.
- PIPE BEDDING SHALL BE A CLEAN, WELL-GRADED SAND OR SQUEEGEE SAND IN ACCORDANCE WITH PWSO STANDARDS AND SPECIFICATIONS, LATEST REVISION.
- THE CONTRACTOR SHALL NOTIFY THE PUBLIC UTILITY COMPANIES AND DETERMINE THE LOCATION OF ALL EXISTING UNDERGROUND UTILITIES PRIOR TO PROCEEDING WITH THE EXCAVATION. ALL WORK PERFORMED IN THE AREA OF THE PUBLIC UTILITIES SHALL BE PERFORMED ACCORDING TO THE REQUIREMENTS OF THESE AGENCIES.
- COMPACTION OF ALL TRENCHES MUST BE ATTAINED IN ACCORDANCE WITH THE SOILS REPORTS AND COMPACTION TEST RESULTS SUBMITTED TO THE DISTRICT ENGINEER PRIOR TO PROBATIONARY ACCEPTANCE.
- AT LEAST FIVE (5) DAYS PRIOR TO THE START OF CONSTRUCTION, A PRE-CONSTRUCTION MEETING WILL BE HELD AT THE OFFICE OF THE DISTRICT ENGINEER AND ATTENDED BY THE CONTRACTOR, DESIGN ENGINEER, AND REPRESENTATIVE OF OTHER APPROVING AGENCIES.
- CHLORINATION AND FLUSHING: ALL WATER MAINS SHALL BE INSTALLED AND CHLORINATED PER PWSO SPECIFICATIONS. CHLORINATION OF FINISHED PIPELINE COMPLETED BEFORE HYDROSTATIC TESTING.
- HYDROSTATIC TESTING: ALL WATER MAINS SHALL BE TESTED PER THE REQUIREMENTS OF THE PWSO SPECIFICATIONS UP TO MINIMUM OF 150 PSI IN THE PRESENCE OF A PWSO INSPECTOR/ENGINEER.

SANITARY SEWER SYSTEM NOTES:

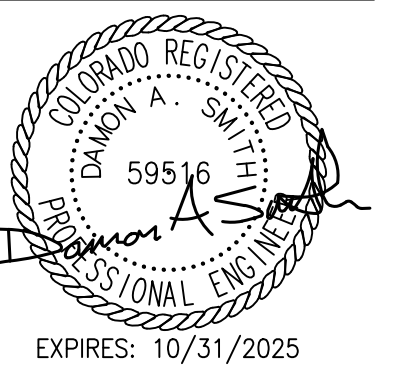
- ALL MATERIALS AND WORKMANSHIP SHALL BE IN CONFORMANCE WITH THE PWSO ENGINEERING STANDARDS AND SPECIFICATIONS, LATEST VERSION.
- ALL SEWER MAINS SHALL BE PVC, ASTM D-3034, SDR 35 OR APPROVED EQUAL. ALL SEWER MAIN SIZE IS 8" IN DIAMETER UNLESS OTHERWISE NOTED.
- SEWER LINES SHALL BE INSTALLED 5.0 FEET SOUTH OR WEST OF STREET CENTERLINE, UNLESS OTHERWISE SHOWN ON PLANS. SEWER LINES SHALL BE 10.00 FEET FROM WATER LINES EXCEPT WHEN CROSSING EACH OTHER. SEWER LINES WHICH CROSS LESS THAN 1.50 FEET VERTICALLY FROM THE WATER MAIN SHALL BE ENCASED IN CONCRETE AS PER PWSO SPECIFICATIONS. USE RUBBER GASKETS FOR PVC ENCASEMENT.
- SEWER RIM ELEVATIONS SHOWN ARE APPROPRIATE ONLY AND ARE NOT TO BE TAKEN AS FINAL ELEVATIONS. RING AND COVER SHALL BE SET IN CENTERED CONCRETE RINGS WITH RAM-NECK FOR ADJUSTMENT TO MATCH FINAL PAVEMENT ELEVATIONS.
- THE CONTRACTOR AND SURVEY CREW SHALL VERIFY ELEVATIONS OF EXISTING SEWER LINES AND MANHOLES TO BE TIED TO PRIOR TO CONSTRUCTION OR STAKING OF SANITARY SEWER.
- NO UNDERDRAIN SYSTEM WILL BE ALLOWED TO BE PLACED IN MAINLINE OR SEWER SERVICE TRENCHES.
- SEWER SERVICE TEES FOR EACH UNIT SHALL BE STAKED BY A SURVEY CREW AND FURNISHED AND INSTALLED BY THE CONTRACTOR. THE CONTRACTOR SHALL FURNISH TO THE ENGINEER "AS CONSTRUCTED" LOCATION OF TEES. SEWER WYES SHALL BE USED RATHER THAN TEES.
- ALL MANHOLES SHALL BE 48-INCHES IN DIAMETER WITH 24-INCH RING AND COVER, ECCENTRIC CONE UNLESS OTHERWISE SPECIFIED. ALL MANHOLES SHALL HAVE SHAPED INVERTS.
- PIPE BEDDING SHALL BE CLASS "B" AND SHALL CONFORM TO ASTM C-33 OR D-448 GRADATION NO. 6 OR NO. 67.
- AT LEAST FIVE (5) DAYS PRIOR TO THE START OF CONSTRUCTION, A PRE-CONSTRUCTION MEETING WILL BE HELD AT THE OFFICE OF THE DISTRICT ENGINEER AND ATTENDED BY THE CONTRACTOR AND REPRESENTATIVES OF THE OTHER APPROVING AGENCIES. IT WILL BE THE RESPONSIBILITY OF THE CONTRACTOR TO CONTACT THE DISTRICT ENGINEER TO SCHEDULE THIS MEETING.
- THE CONTRACTOR SHALL HAVE IN HIS POSSESSION AT ALL TIMES ONE (1) SIGNED COPY OF THE PLANS WHICH HAVE BEEN APPROVED BY THE PWSO AND THE DISTRICT ENGINEER AND ONE (1) COPY OF THE LATEST PWSO SPECIFICATION MANUAL.
- ALL SEWER LINES SHALL BE TESTED IN ACCORDANCE WITH THE PWSO STANDARDS AND SPECIFICATIONS PRIOR TO ACCEPTANCE OR ANY CONNECTION TO AN EXISTING SEWER LINE.
- PRIOR TO STARTING WORK WHERE SEWER MAIN IS TO BE CONNECTED TO EXISTING PWSO SEWER SYSTEMS. THE NEAREST MANHOLE TO THE POINT OF TIE-IN SHALL BE PLUGGED WITH A PLUMBER'S PLUG ON THE INLET SIDE BY THE CONTRACTOR. THIS PLUG SHALL REMAIN IN PLACE UNTIL FINAL PROBATIONARY ACCEPTANCE BY PWSO. THE CONTRACTOR SHALL BE RESPONSIBLE FOR PUMPING AND CLEANING THESE MANHOLES AND REMOVING THE PLUG WHEN INSTRUCTED BY THE DISTRICT.
- PRIOR TO PROBATIONARY ACCEPTANCE WALK-THROUGH, THE CONTRACTOR SHALL JET CLEAN THE ENTIRE SANITARY SEWER SYSTEM AND PUMP OUT AT THE PLUGGED MANHOLE.

APPROVED
Oct 01 2024
PARKER WATER AND
SANITATION DISTRICT



MAVERIK INC. STORE
LINCOLN AVE. AND DRANSFELDT RD.
PARKER, CO

EDCI
ENGINEERS
331 17TH STREET • SUITE 605
DENVER, COLORADO 80202
PHONE: (720) 439-4700
WEBSITE: www.edci-engineers.com
CIVIL / STRUCTURAL
Copyright 2024. All Rights Reserved.



NOTES



2 OF 7

LINCOLN PROFESSIONAL PARK FILING NO. 1 LOT 1 MAVERIK INC. STORE UTILITY PLANS

SITUATED IN THE NORTHWEST 1/4 OF SECTION 15,
TOWNSHIP 6 SOUTH, RANGE 66 WEST OF THE 6TH P.M.
TOWN OF PARKER, COUNTY OF DOUGLAS, STATE OF COLORADO

PROJECT NUMBER

21-122-0001

ISSUE DATE:

JUNE 30, 2023

REVISIONS:

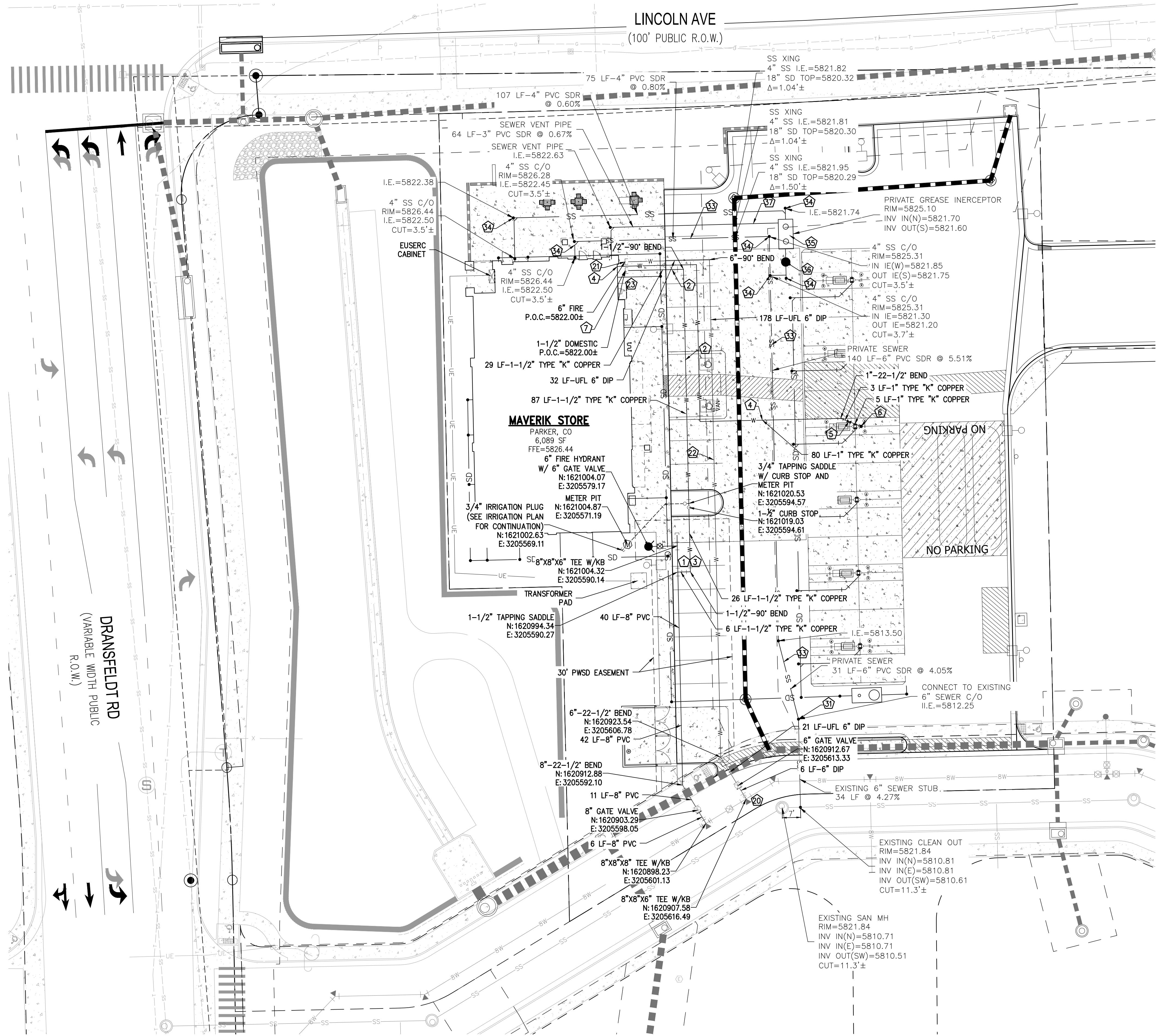
No.	Date	Description
1	5-24-22	CITY REVIEW
2	7-13-22	CITY REVIEW
3	10-19-22	CITY REVIEW
4	10-26-22	CITY REVIEW
5	12-08-22	CITY REVIEW
6	1-09-23	CITY REVIEW
7	3-10-23	CITY REVIEW
8	5-17-23	CITY REVIEW
9	6-30-23	CITY REVIEW

NOTE:
Bid documents should not be separated or issued as partial sets to subcontractors. Bidders are responsible for all portions of the documents that pertain to work covered by sub-bids. Bidder assumes full responsibility for error or misinterpretations resulting from partial sets of Bidding Documents by itself or any sub-bidder.

Conflicting information or errors found in the construction documents should be brought to the attention of the architect immediately. In the event of a conflict in the drawings, bidder should not assume the least expensive option will meet the project requirements.



MAVERIK INC. STORE
LINCOLN AVE. AND DRANSFELDT RD.
PARKER, CO



DOMESTIC WATER NOTES:

- 1 NEW 1-1/2" DOMESTIC WATER LINE CONNECTION
- 2 NEW 1-1/2" TYPE K COPPER, TRENCHING AND BEDDING
- 3 NEW 1-1/2" CURB STOP
- 4 NEW 1" TYPE "K" COPPER DOMESTIC WATER SERVICE TO YARD HYDRANT
- 5 NEW 1" BALL VALVE INSIDE VALVE BOX
- 6 NEW 1" FROST PROOF YARD HYDRANT WITH 3/4" FEMALE BRASS CONNECTION WITH RED HANDLE.
- 7 NEW 1-1/2" INTERIOR SET METER

FIRE (UFL) WATER NOTES:

- 8 NEW 6" FIRE LINE (UFL) CONNECTION TO EXISTING 6" STUB PER HARRIS KOCHER SMITH CONSTRUCTION DOCUMENTS FOR LINCOLN AND DRANSFELDT
- 9 NEW 6" BACKFLOW PREVENTION DEVICE ASSEMBLY INSIDE BUILDING RISER ROOM
- 10 NEW 6" DIP FIRE SERVICE FOR BUILDING SPRINKLERS.
- 11 6" FIRE DEPT. CONNECTION (FDC)

PRIVATE SANITARY SEWER NOTES:

- 12 CONNECT NEW 6" PVC BUILDING SEWER TO EXISTING SEWER CLEANOUT PER MASTER DEVELOPER (HKS ENGINEERING).
- 13 NOT IN USE
- 14 NEW 4" PVC SANITARY SEWER LINE. TRENCH AND BEDDING PER PARKER WATER AND SANITATION DISTRICT STANDARDS.
- 15 NEW SANITARY SEWER CLEANOUT PER PARKER WATER AND SANITATION DISTRICT STANDARDS.
- 16 NEW 1,500 GAL GREASE INTERCEPTOR UNIT (SEE PLUMBING PLANS FOR ADDITIONAL DETAIL).
- 17 NEW SAMPLING MANHOLE (SEE PLUMBING PLANS FOR ADDITIONAL DETAIL).
- 18 NEW 3" GREASE INTERCEPTOR VENTS (SEE PLUMBING PLANS FOR ADDITIONAL DETAIL).

NOTES:

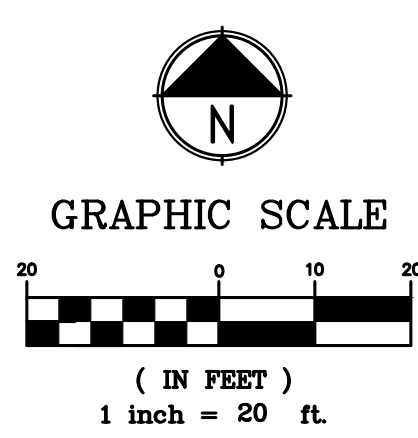
- 1. ALL DOMESTIC, IRRIGATION, AND FIRE SERVICES REQUIRE BACKFLOW PREVENTION DEVICES.
- 2. EXCEPT WHERE CONNECTING TO EXISTING PIPE, ALL FITTINGS REQUIRING RESTRAINT SHALL USE JOINT RESTRAINTS.

APPROVED
Oct 01 2024
PARKER WATER AND SANITATION DISTRICT

ALL FIRE HYDRANTS SHALL BE INSTALLED ACCORDING TO WATER UTILITY STANDARDS. THE NUMBER AND LOCATIONS OF THE FIRE HYDRANTS AS SHOWN ON THE OVERALL UTILITY PLAN ARE CORRECT AS SPECIFIED BY THE TOWN OF PARKER, COMMUNITY DEVELOPMENT DEPARTMENT.

[Signature] 09/30/2024
FIRE CODE OFFICIAL OR DESIGNATED REPRESENTATIVE DATE

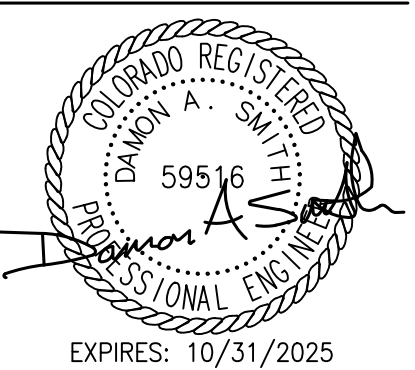
(NOTE - UNDERGROUND FIRE LINE (UFL) SUBMITTAL DOCUMENTS MUST MEET THE REQUIREMENTS OF NFPA 24 WHEN SUBMITTING FOR REVIEW)



CONTRACTOR NOTE:
ALL EXISTING UTILITIES SHOWN ON PLANS ARE TO BE VERIFIED HORIZONTALLY AND VERTICALLY PRIOR TO ANY CONSTRUCTION. ALL EXISTING FEATURES INCLUDING BURIED UTILITIES ARE SHOWN AS INDICATED ON RECORD MAPS AND SURVEYS FURNISHED BY OTHERS. WE ASSUME NO LIABILITY FOR THE ACCURACY OF THOSE RECORDS AND SURVEYS. CONTACT THE UTILITY OWNER/AGENCY FOR THE FINAL LOCATION OF EXISTING UTILITIES IN AREAS CRITICAL TO CONSTRUCTION.



EDCI
ENGINEERS
1331 17TH STREET • SUITE 605
DENVER, COLORADO 80202
PHONE: (720) 439-4700
WEBSITE: www.edci-engineers.com
© 2017 EDI STRUCTURAL
All Rights Reserved



UTILITY PLAN

LINCOLN PROFESSIONAL PARK FILING NO. 1 LOT 1 MAVERIK INC. STORE UTILITY PLANS

SITUATED IN THE NORTHWEST 1/4 OF SECTION 15,
TOWNSHIP 6 SOUTH, RANGE 66 WEST OF THE 6TH P.M.
TOWN OF PARKER, COUNTY OF DOUGLAS, STATE OF COLORADO

PROJECT NUMBER

21-122-0001

ISSUE DATE:

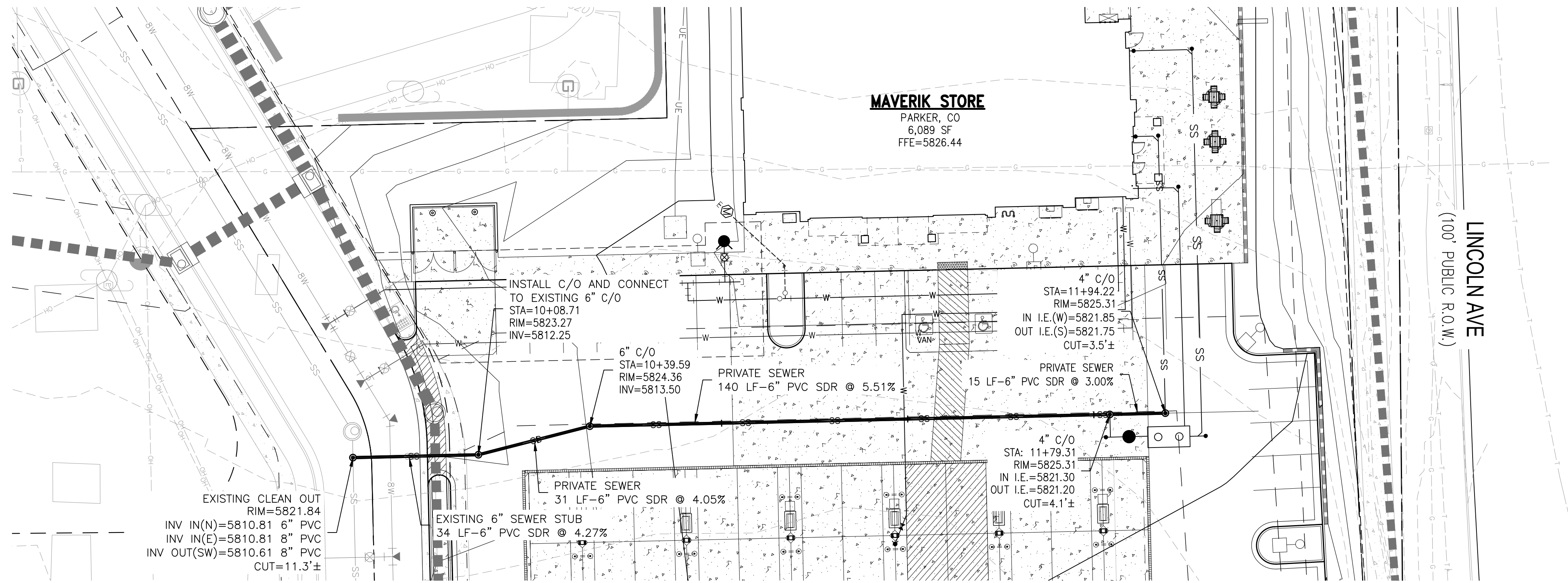
JUNE 30, 2023

REVISIONS:

No.	Date	Description
1	5-24-22	CITY REVIEW
2	7-13-22	CITY REVIEW
3	10-19-22	CITY REVIEW
4	10-26-22	CITY REVIEW
5	12-08-22	CITY REVIEW
6	1-09-23	CITY REVIEW
7	3-10-23	CITY REVIEW
8	5-17-23	CITY REVIEW
9	6-30-23	CITY REVIEW

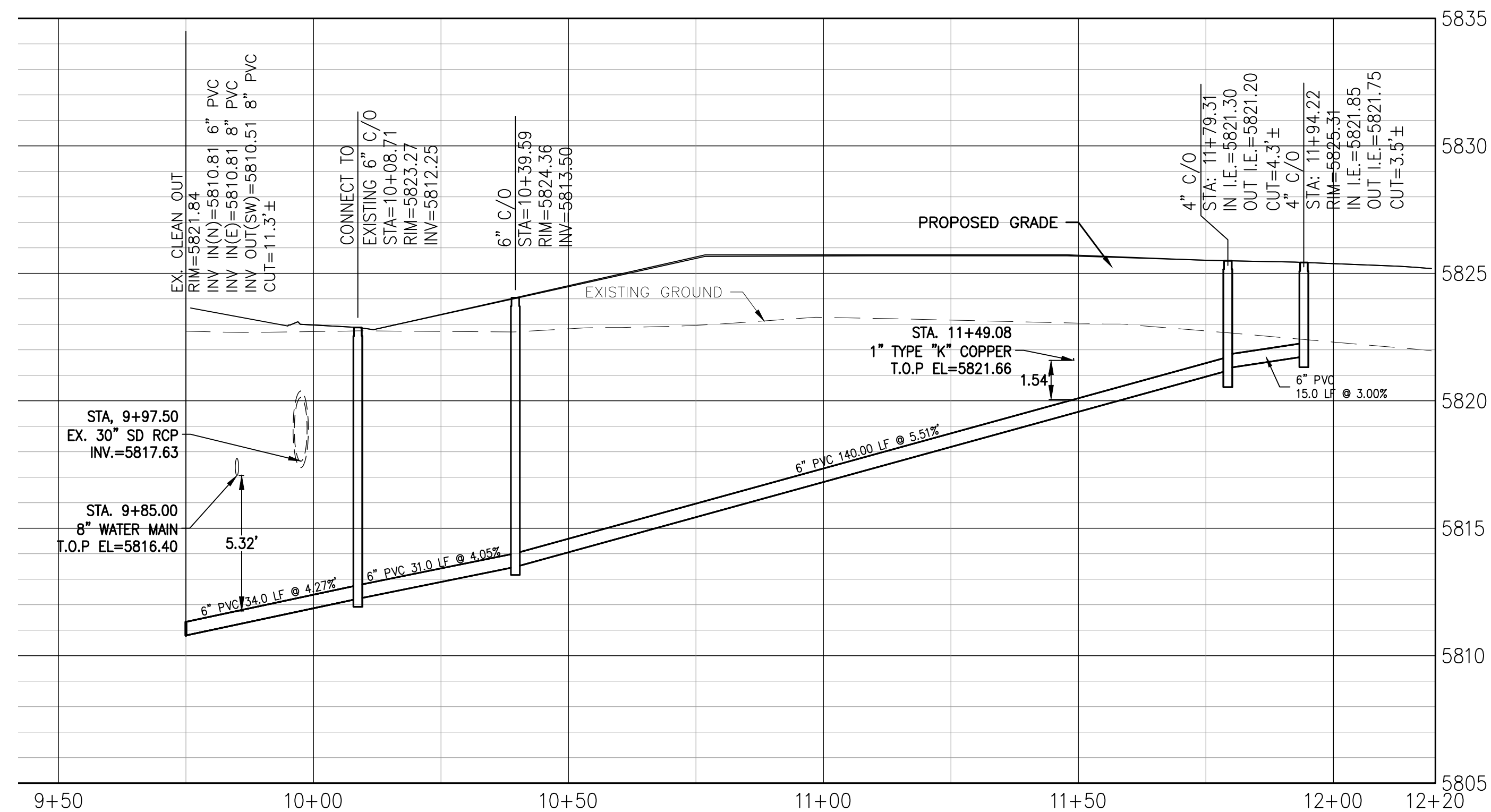
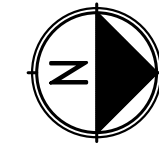
NOTE:
Bid documents should not be separated or issued as partial sets to subcontractors. Bidders are responsible for all portions of the documents that pertain to work covered by sub-bids. Bidder assumes full responsibility for error or misinterpretations resulting from partial sets of Bidding Documents by itself or any sub-bidder.

Conflicting information or errors found in the construction documents should be brought to the attention of the architect immediately. In the event of a conflict in the drawings, bidder should not assume the least expensive option will meet the project requirements.



6" PRIVATE SANITARY SEWER PLAN

SCALE: 1"=20'



6" PRIVATE SANITARY SEWER PROFILE

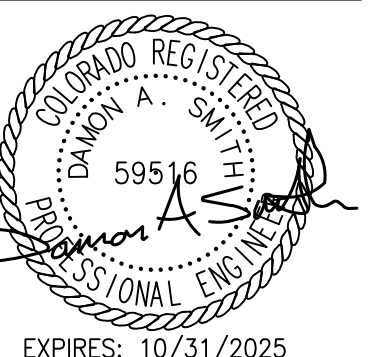
SCALE: H=1"=20'
V=1"=5'

APPROVED
Oct 01 2024
PARKER WATER AND
SANITATION DISTRICT



MAVERIK INC. STORE
LINCOLN AVE. AND DRANSFELDT RD.
PARKER, CO

EDCI
ENGINEERS
1331 17TH STREET • SUITE 605
DENVER, COLORADO 80202
PHONE: (720) 439-4700
WEBSITE: www.edci-engineers.com
CIVIL / STRUCTURAL
© Copyright 2024 EDCI Engineers Inc. All Rights Reserved.



EXPIRES: 10/31/2025

SANITARY SEWER PLAN AND PROFILE

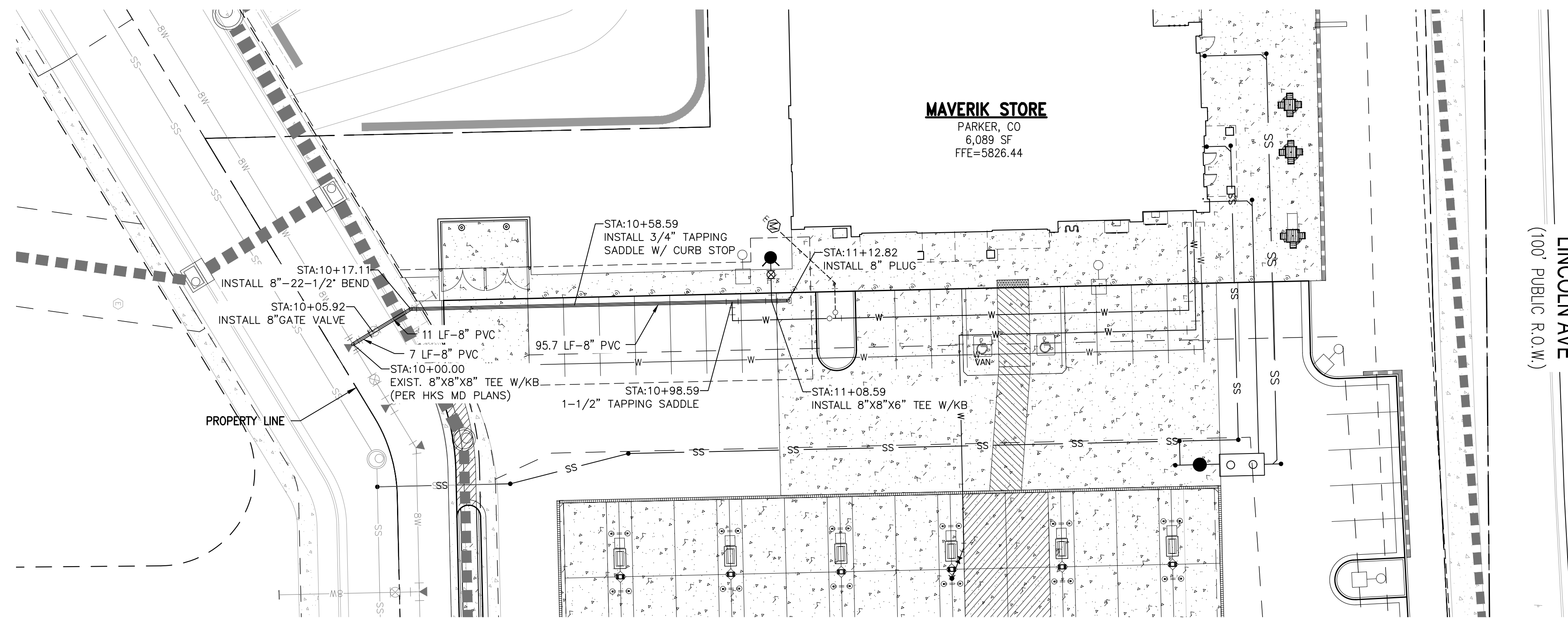


CONTRACTOR NOTE:

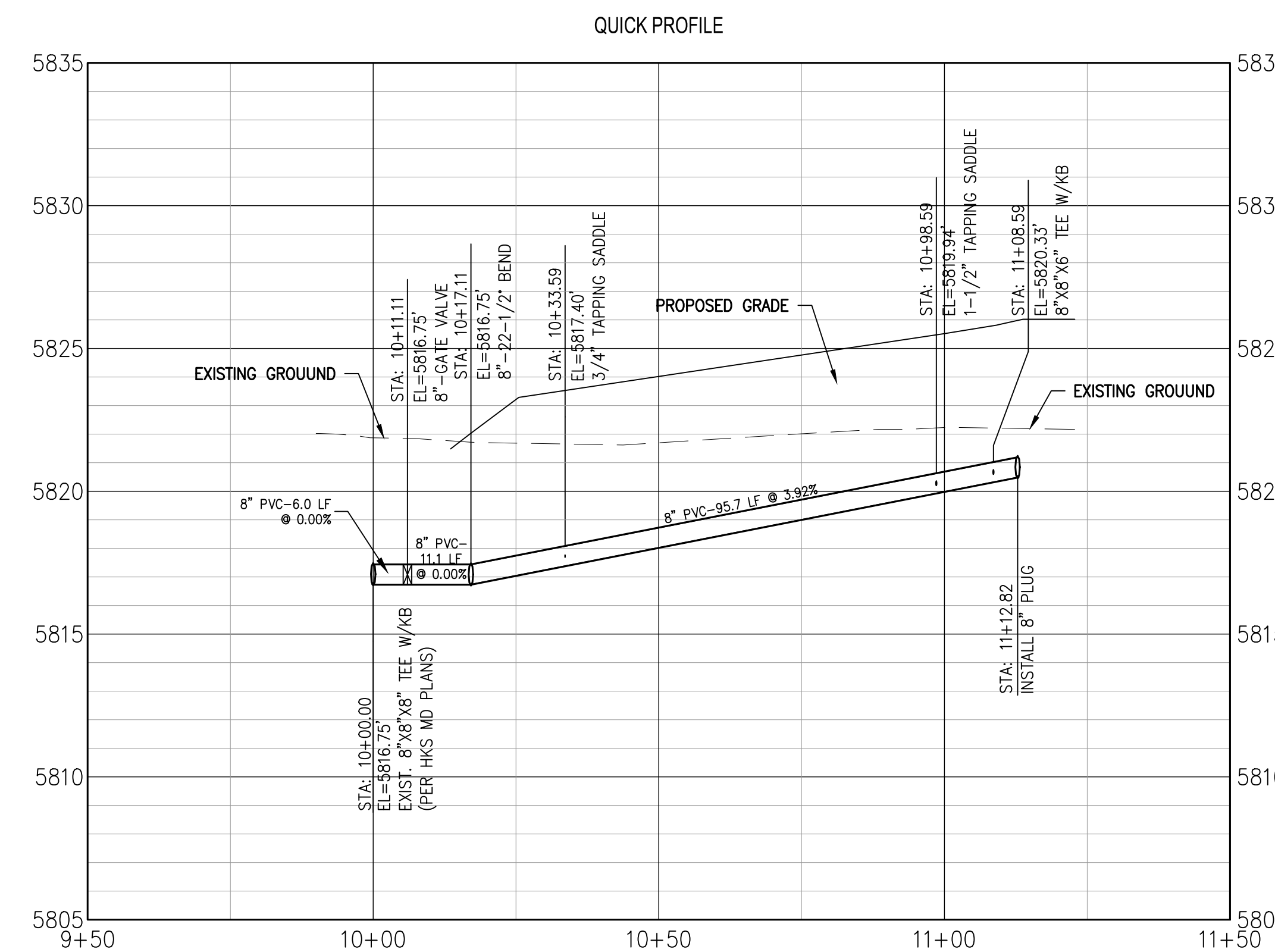
ALL EXISTING UTILITIES SHOWN ON PLANS ARE TO BE VERIFIED HORIZONTALLY AND VERTICALLY PRIOR TO ANY CONSTRUCTION. ALL EXISTING FEATURES INCLUDING BURIED UTILITIES ARE SHOWN AS INDICATED ON RECORD MAPS AND SURVEYS FURNISHED BY OTHERS. WE ASSUME NO LIABILITY FOR THE ACCURACY OF THOSE RECORDS AND SURVEYS. CONTACT THE UTILITY OWNER/AGENCY FOR THE FINAL LOCATION OF EXISTING UTILITIES IN AREAS CRITICAL TO CONSTRUCTION.

LINCOLN PROFESSIONAL PARK FILING NO. 1 LOT 1 MAVERIK INC. STORE UTILITY PLANS

SITUATED IN THE NORTHWEST 1/4 OF SECTION 15,
TOWNSHIP 6 SOUTH, RANGE 66 WEST OF THE 6TH P.M.
TOWN OF PARKER, COUNTY OF DOUGLAS, STATE OF COLORADO



8" PRIVATE
WATER PLAN
SCALE: 1"=20'



8" PRIVATE
WATER PROFILE
SCALE: H=1"=20'
V=1"=5'

APPROVED
Oct 01 2024
PARKER WATER AND
SANITATION DISTRICT

PROJECT NUMBER

21-122-0001

ISSUE DATE:

JUNE 30, 2023

REVISIONS:

No.	Date	Description
1	5-24-22	CITY REVIEW
2	7-13-22	CITY REVIEW
3	10-19-22	CITY REVIEW
4	10-26-22	CITY REVIEW
5	12-08-22	CITY REVIEW
6	1-09-23	CITY REVIEW
7	3-10-23	CITY REVIEW
8	5-17-23	CITY REVIEW
9	6-30-23	CITY REVIEW

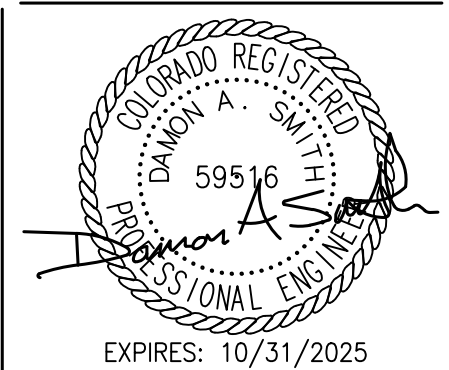
NOTE:
Bid documents should not be separated or issued as partial sets to subcontractors. Bidders are responsible for all portions of the documents that pertain to work covered by sub-bids. Bidder assumes full responsibility for error or misinterpretations resulting from partial sets of Bidding Documents by itself or any sub-bidder.

Conflicting information or errors found in the construction documents should be brought to the attention of the architect immediately. In the event of a conflict in the drawings, bidder should not assume the least expensive option will meet the project requirements.



MAVERIK INC. STORE
LINCOLN AVE. AND DRANSFELDT RD.
PARKER, CO

EDCI
ENGINEERS
1331 17TH STREET • SUITE 605
DENVER, COLORADO 80202
PHONE: (720) 439-4700
WEBSITE: www.edci-engineers.com
CIVIL / STRUCTURAL
© Copyright 2024 EDCI Engineers, Inc. All Rights Reserved.



**WATER PLAN
AND PROFILE**



Plot Date: 2024-09-27 File Location: O:\1200-Denver\DCI-Civil\Projects\2021\21122-0001 Maverik Lincoln and Dransfeldt\21-122-0001UTL.dwg

LINCOLN PROFESSIONAL PARK FILING NO. 1 LOT 1 MAVERIK INC. STORE UTILITY PLANS

SITUATED IN THE NORTHWEST 1/4 OF SECTION 15,
TOWNSHIP 6 SOUTH, RANGE 66 WEST OF THE 6TH P.M.
TOWN OF PARKER, COUNTY OF DOUGLAS, STATE OF COLORADO

PROJECT NUMBER

21-122-0001

ISSUE DATE:

JUNE 30, 2023

REVISIONS:

No.	Date	Description
1	5-24-22	CITY REVIEW
2	7-13-22	CITY REVIEW
3	10-19-22	CITY REVIEW
4	10-26-22	CITY REVIEW
5	12-08-22	CITY REVIEW
6	1-09-23	CITY REVIEW
7	3-10-23	CITY REVIEW
8	5-17-23	CITY REVIEW
9	6-30-23	CITY REVIEW

NOTE:
Bid documents should not be separated or issued as partial sets to subcontractors. Bidders are responsible for all portions of the documents that pertain to work covered by sub-bids. Bidder assumes full responsibility for error or misinterpretations resulting from partial sets of Bidding Documents by itself or any sub-bidder.

Conflicting information or errors found in the construction documents should be brought to the attention of the architect immediately. In the event of a conflict in the drawings, bidder should not assume the least expensive option will meet the project requirements.



MAVERIK INC. STORE
LINCOLN AVE. AND DRANSFELDT RD.
PARKER, CO

INSPECTION POLICY:

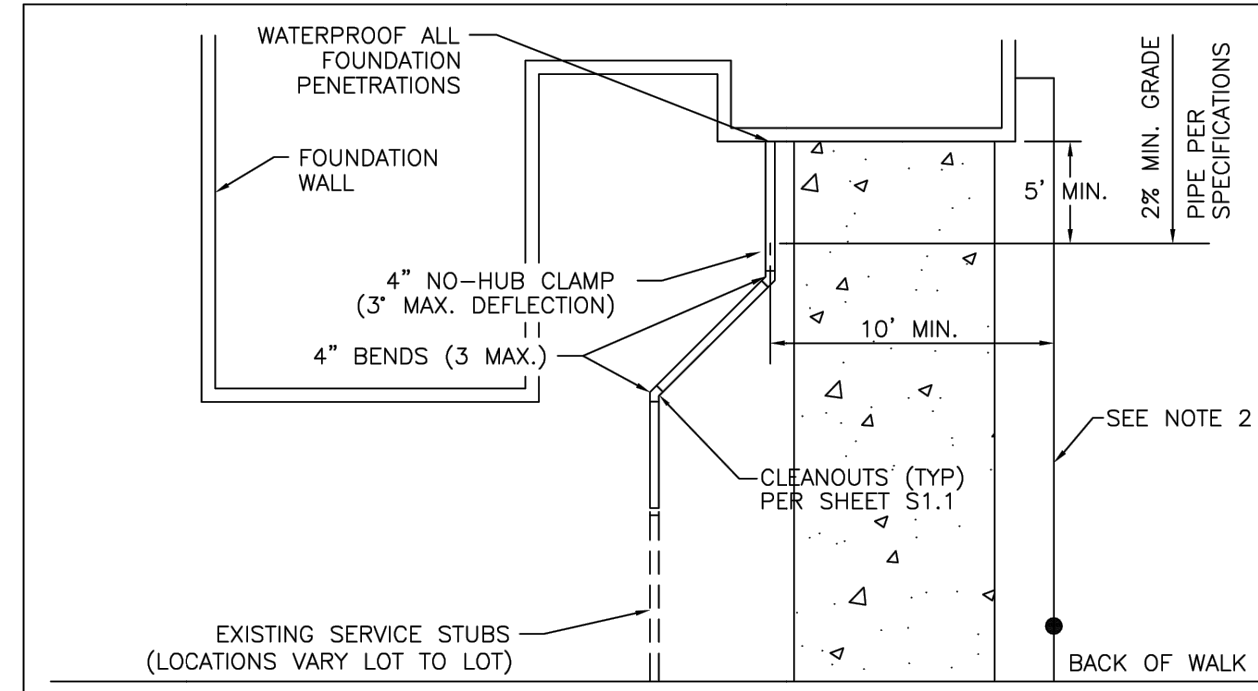
- ALL SERVICE INSPECTIONS MUST BE SCHEDULED WITH THE DISTRICT OFFICE AT LEAST 24 HOURS IN ADVANCE OF THE REQUESTED INSPECTION.
- IF THE CONTRACTOR IS NOT READY FOR INSPECTION WHEN THE INSPECTOR ARRIVES AT THE SITE, A RE-INSPECTION WILL HAVE TO BE SCHEDULED IN ACCORDANCE WITH NOTE 1 ABOVE AND A RE-INSPECTION FEE CHARGED.
- SHOULD THE SERVICE LINES BE DAMAGED BY LATER CONSTRUCTION, AN INSPECTION OF THE REPAIR WILL BE REQUIRED IN ACCORDANCE WITH NOTES 1 AND 2 ABOVE.
- THE CONTRACTOR SHALL LEAVE ALL PIPE AND FITTINGS EXPOSED FOR THE INSPECTOR TO OBSERVE. INSPECTORS WILL NOT ENTER ANY EXCAVATIONS TO CHECK MATERIALS. THE TOP LAYER OF BEDDING CAN BE ADDED AFTER THE INSPECTION HAS BEEN COMPLETED.
- ALL EXCAVATIONS SHALL BE IN ACCORDANCE WITH OSHA STANDARDS.
- LOTS WITHOUT BUILDING ADDRESSES OR LOT AND BLOCK NUMBERS BEFORE DISTRICT INSPECTION OR METER SET WILL FAIL AUTOMATICALLY.
- CONTRACTOR MUST BE PRESENT AT TIME OF INSPECTION UNLESS COORDINATED WITH DISTRICT INSPECTOR.

INSTALLATION NOTES:

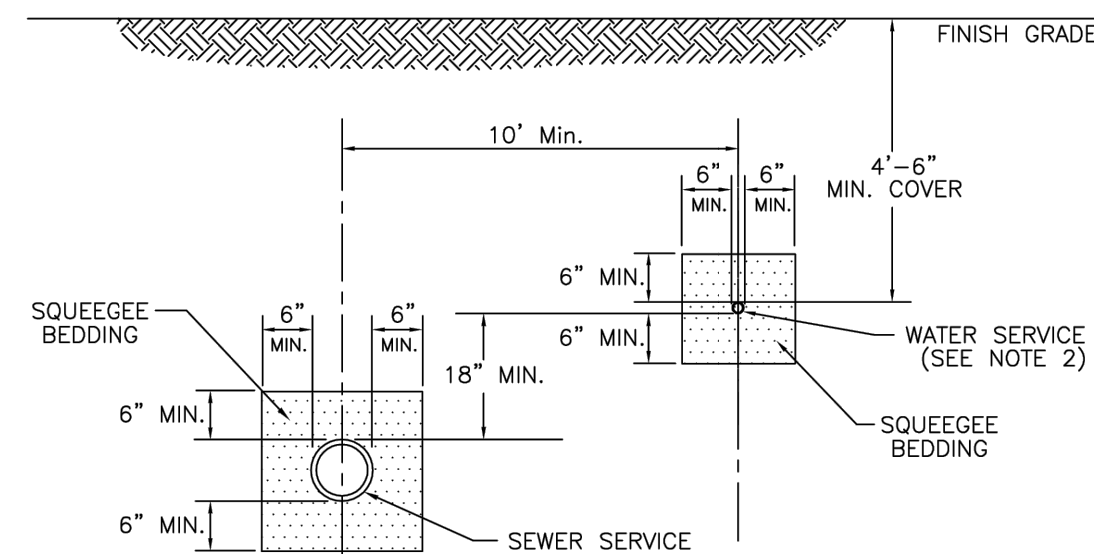
- SEWER**
- ACCEPTABLE PIPE MATERIALS ARE TO BE SDR 35 PVC PIPE, ABS PIPE AND PVC SCHD 40 PIPE. APPROVED BEDDING IS TO BE SQUEEGEE.
 - NO-HUB CLAMPS SHALL BE USED TO JOIN 2 MALE PIPE ENDS WITH A MAXIMUM DEFLECTION OF 3".
 - MINIMUM GRADE SHALL BE 2%.
 - INSTALLATION SHALL INCLUDE NO MORE THAN 3 BENDS. 90° BENDS ARE NOT ALLOWED. SOLVENT WELDED PIPE WILL NOT BE ALLOWED.
 - CLEAN-OUTS SHALL BE INSTALLED AT 100' INTERVALS AND EVERY CHANGE IN DIRECTION. CLEAN-OUTS ARE NOT REQUIRED FOR SERVICES LESS THAN 100' UNLESS THERE ARE CHANGES IN DIRECTION. PROVIDE DUAL CLEAN-OUT WITHIN 5 FEET OF FOUNDATION.
 - STRESSING OF THE PIPE BETWEEN FITTINGS WILL NOT BE ALLOWED.
 - SEWER SERVICE LINE SHALL NOT BE LOCATED UNDER CONCRETE SURFACE.
 - ALL SERVICES WILL BE PERMANENTLY MARKED ON CURB FACE AS FOLLOWS:
"X" FOR SANITARY SEWER SERVICE
"Y" FOR WATER SERVICES

PARKER WATER & SANITATION DISTRICT	
DISTRICT POLICIES & INSTALLATION NOTES FOR SEWER SERVICES	
SCALE: NONE	DATE: 2/98
APPROVED: PVR	01/02 01/09 01/16
DIRECTOR OF ENGINEERING	SHEET S1.1

2016 REVISION



TYPICAL SERVICES PLAN VIEW

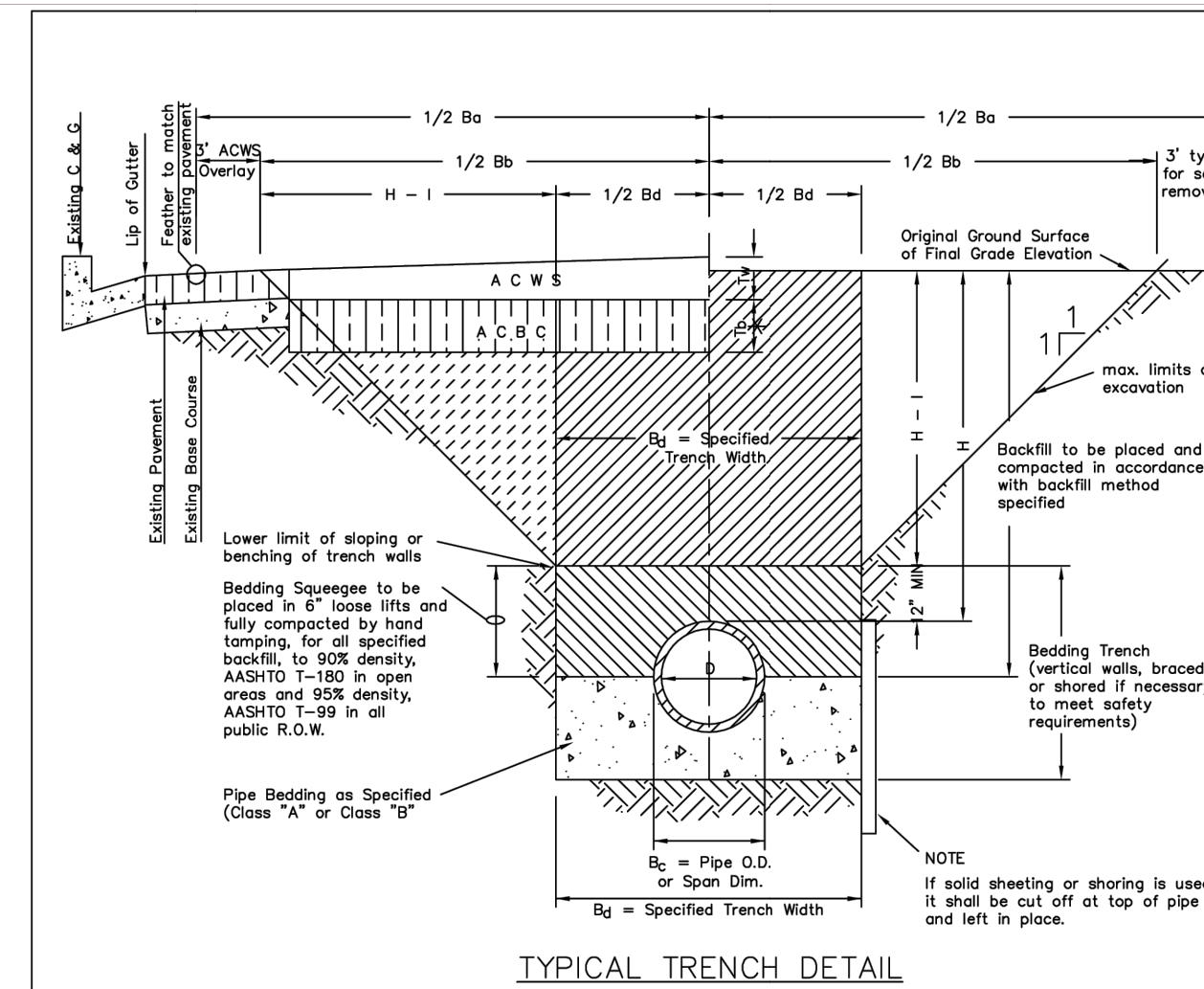


TYPICAL SERVICES SECTION

- NOTE:
- SEE SHEET S1.1 FOR DISTRICT POLICIES AND INSTALLATION NOTES.
 - TYPICAL WATER SERVICES SHOWN ON SHEET W1.2 IN WATER DETAILS.

PARKER WATER & SANITATION DISTRICT	
TYPICAL SEWER SERVICES	
SCALE: NONE	DATE: 2/98
APPROVED: PVR	2/00 01/02 01/16 10/18
DIRECTOR OF ENGINEERING	SHEET S1.2

2016 REVISION



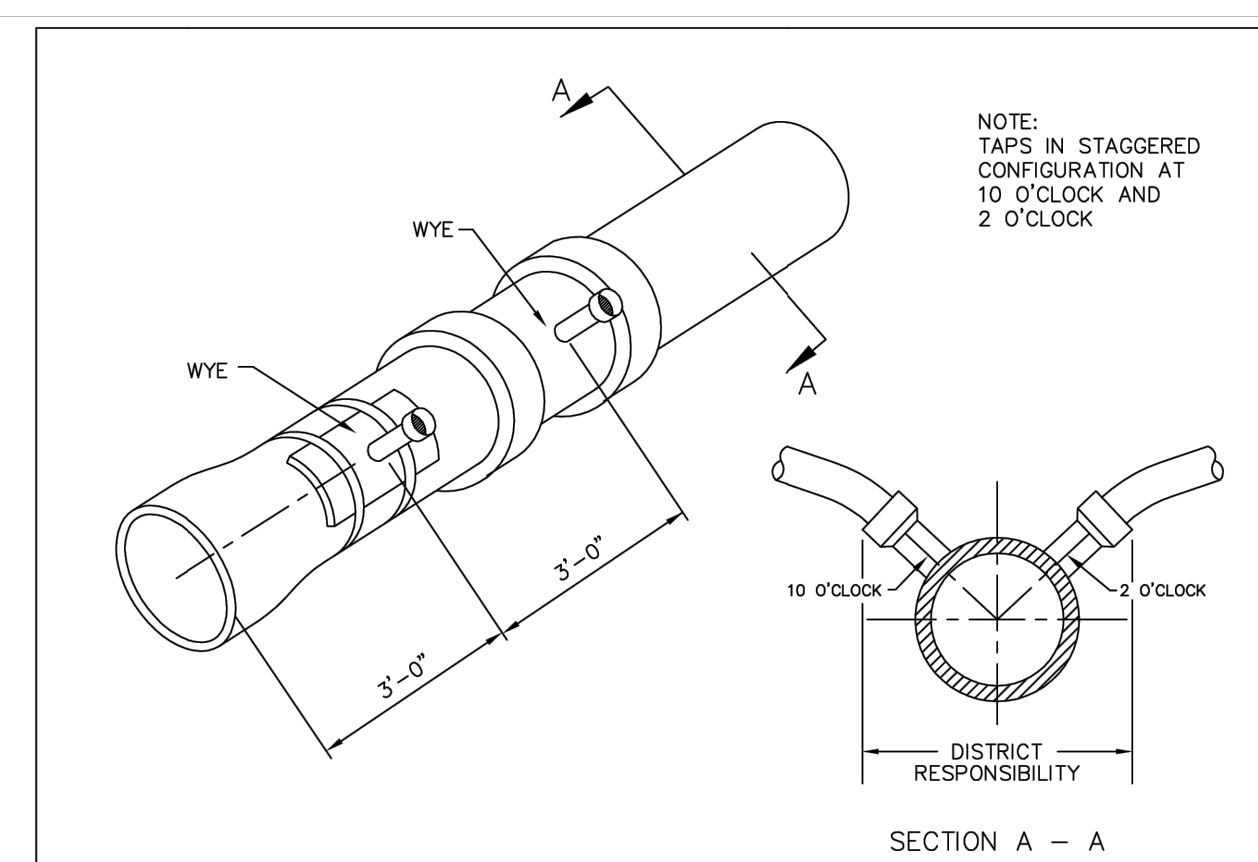
TYPICAL TRENCH DETAIL

- NOTES:
- Sloping or benching of trench side walls, where permitted shall be in accordance with applicable Federal, State and Local safety regulations.
 - Trench shall be braced and shored as necessary to afford safe working conditions or to protect adjacent utilities, structures, etc. Unless otherwise specified on the plans, no pavement will be made for removal, replacement or relocation of curb and gutter, utilities, sidewalks, structures, etc. outside the maximum limits of excavation as shown and the contractor shall be responsible for protection of same.
 - If dimension "T₂" is < 5', then existing asphalt pavement shall be removed and replaced up to the gutter. Maximum asphalt pay width, B₂ & B₃ shall then be based upon this actual width.

STREET WIDTH	ASPHALTIC BASE COURSE (T ₂)	ASPHALTIC WEARING SURFACE (T ₃)	TOTAL THICKNESS (T ₂ + T ₃)
UP TO 36'	4"	2"	6"
36' TO 44'	4"	3"	7"
44' TO 48'	5"	3"	8"
WIDER THAN 48'	6"	3"	9"

PARKER WATER & SANITATION DISTRICT	
SEWER TRENCHING AND BEDDING DETAIL	
SCALE: NONE	DATE: 2/98
APPROVED: PVR	5/98 1/16 10/18
DIRECTOR OF ENGINEERING	SHEET S4.1

2016 REVISION

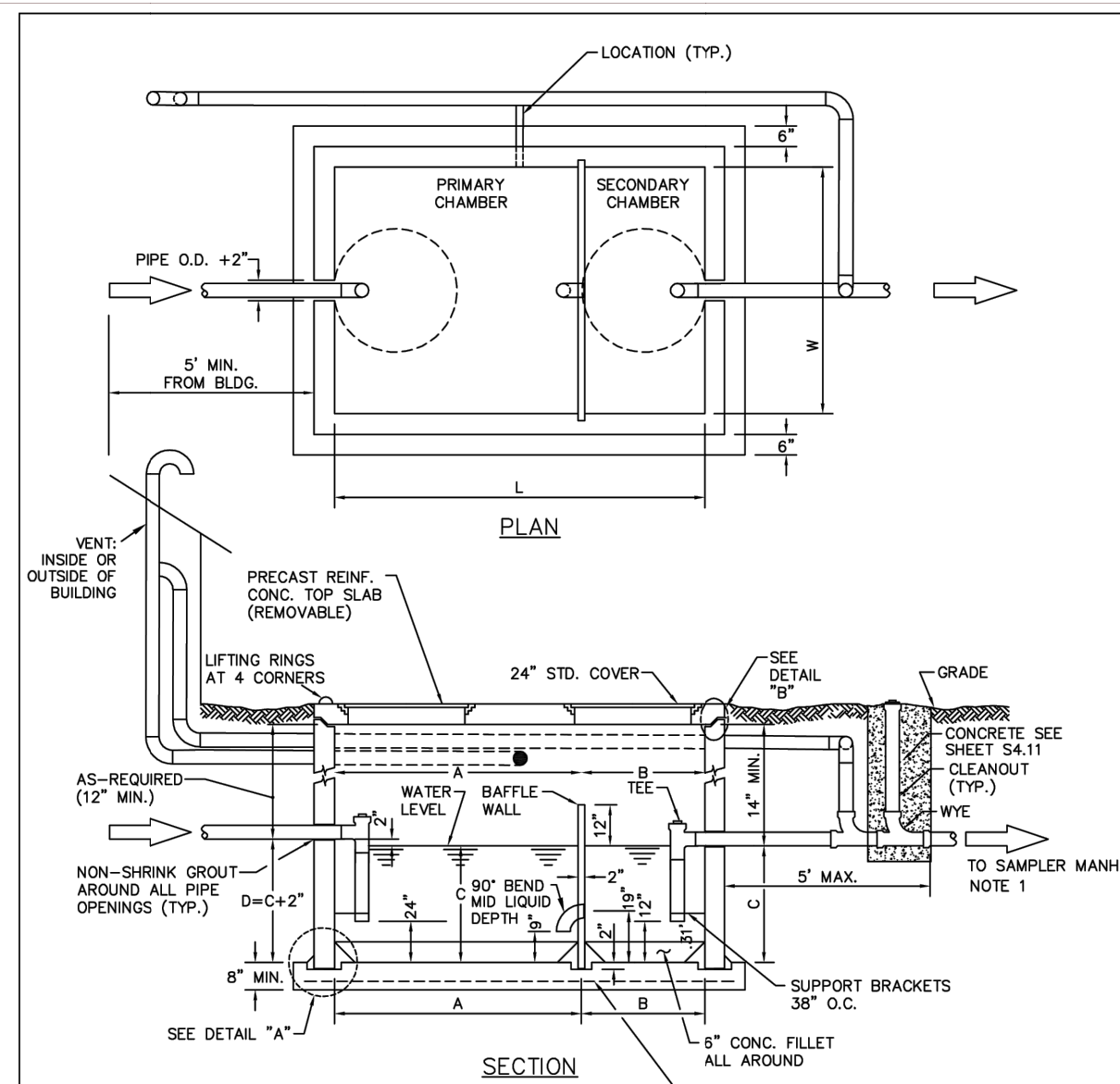


DOMESTIC SEWER TAPPING DETAIL

Sewer service connections shall be positioned at either the 2 o'clock or the 10 o'clock position on the circumference of the sewer main. On new installations, tee or wye fittings shall be used. When tapping into existing sewer main, a saddle connection and approved coring method shall be used. The minimum distance between service connections made along the pipe shall be 3 feet. The minimum distance from either the bell or spigot end of a pipe shall be 3 feet. The minimum distance from the center of a manhole to a service connection shall be either 7 feet or the transition point from the manhole trench to the normal pipe trench, whichever is greater. A maximum of 4 sewer service connections shall be allowed per 20 foot length of pipe. In all cases, a specific soils investigation should be conducted to assure that the external loading will be within allowable limits regardless of the number of taps involved.

PARKER WATER & SANITATION DISTRICT	
DOMESTIC SEWER TAPPING DETAIL	
SCALE: NONE	DATE: 2/98
APPROVED: PVR	4/01 1/08 1/16 10/18
DIRECTOR OF ENGINEERING	SHEET S4.13

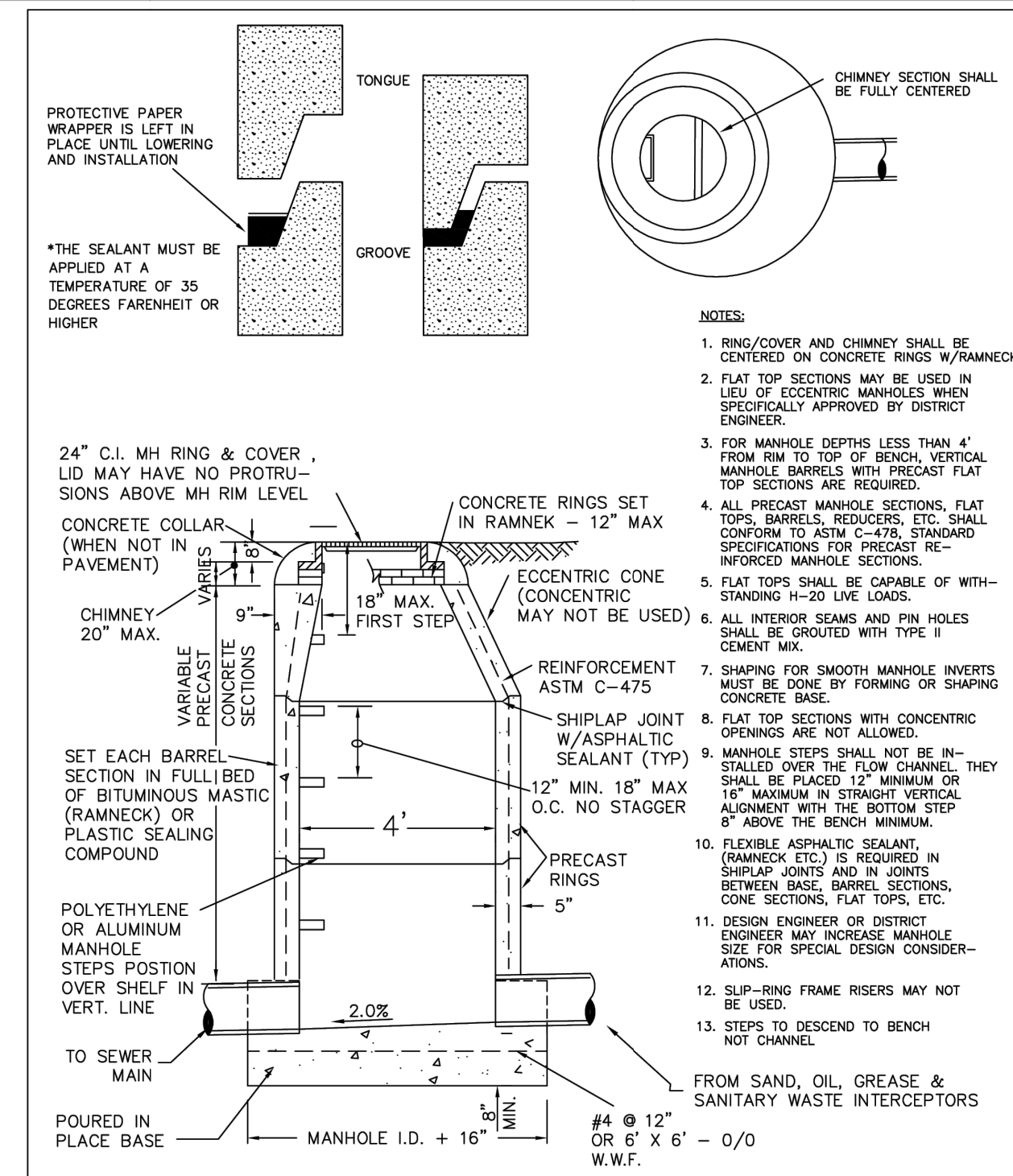
2016 REVISION



TOTAL WATER CAP. APPROX. (GALLONS)	BRACE CAP. APPROX. (CU. FT.)	DIMENSIONS (INCHES)					
		W	L	A	B	C	D
1190	61	72	96	64	32	40	42
1620	84	72	144	96	48	40	42
1840	103	72	144	96	48	48	48
2060	117	72	144	96	48	52	54
2260	130	72	144	96	48	64	68
3040	183	72	144	96	48	76	78
3280	202	72	144	96	48	82	84
3520	216	72	144	96	48	88	90

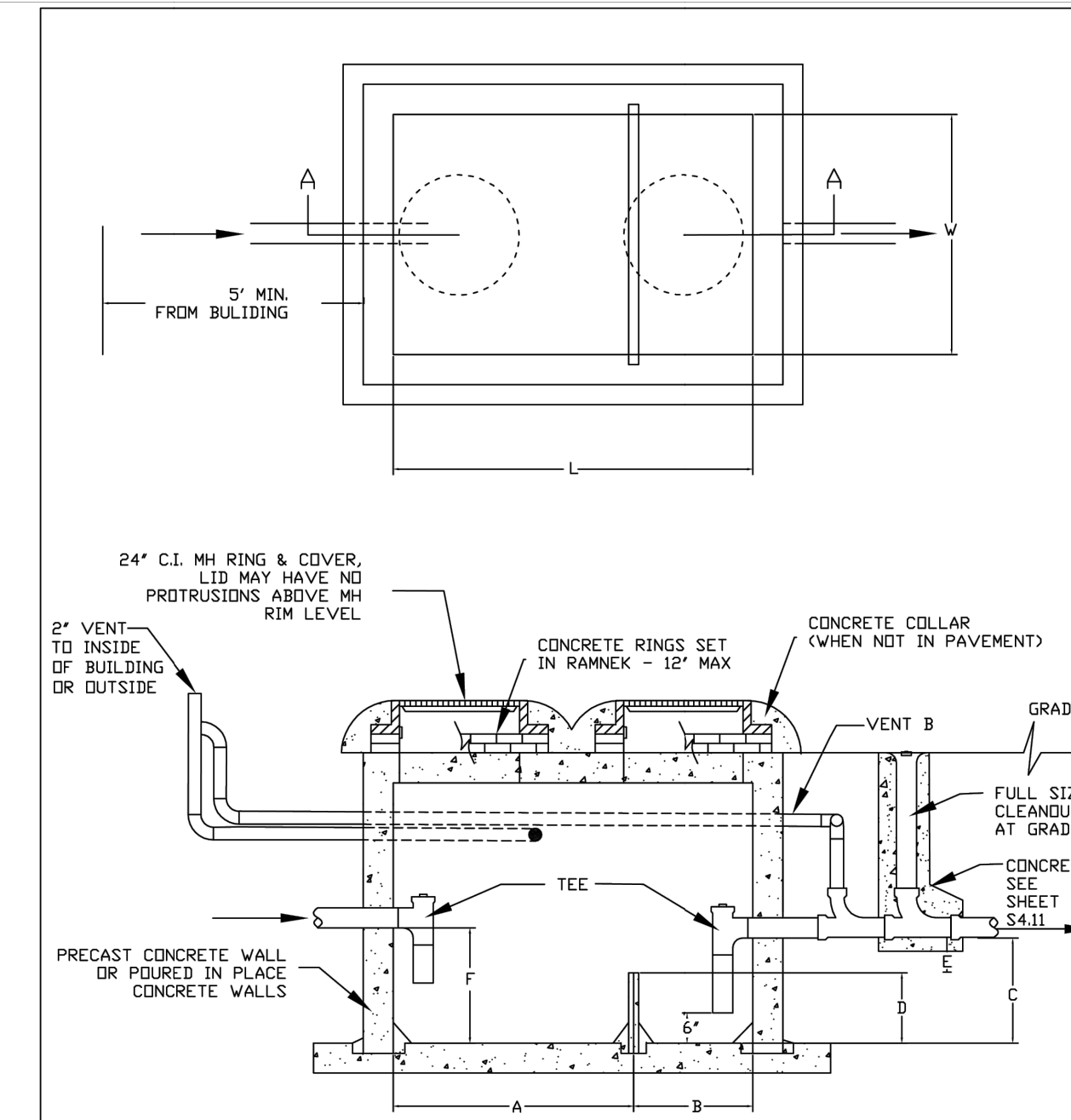
PARKER WATER & SANITATION DISTRICT	
COMMERCIAL GREASE INTERCEPTOR	
SCALE: NONE	DATE: 2/98
APPROVED: PVR	01/02 01/16 10/16
DIRECTOR OF ENGINEERING	SHEET S2.2

2016 REVISION



PARKER WATER & SANITATION DISTRICT	
SAMPLING MANHOLE	
SCALE: NONE	DATE: 2/99
APPROVED: PVR	2/00 4/01 1/09 1/16
DIRECTOR OF ENGINEERING	SHEET S5.3

2016 REVISION



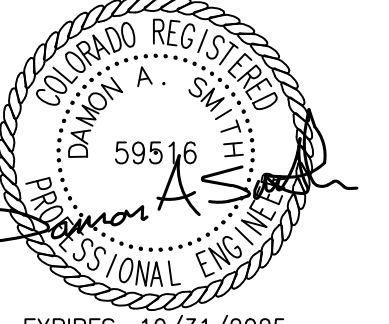
	L	W	A	B	C	D	E
750 GALLONS	72"	48"	24"	24"	21"	14"	7"
1000 GALLONS	96"	48"	36"	32"	38"	25"	13"
1500 GALLONS	108"	72"	36"	36"	30"	20"	10"
1500 GALLONS	120"	72"	40"	40"	40"	27"	13"

PARKER WATER & SANITATION DISTRICT	
CLASS A OIL AND SAND INTERCEPTOR	
SCALE: NONE	DATE: 9/09
APPROVED: PVR	01/02 01/16 10/16
DIRECTOR OF ENGINEERING	SHEET S5.5

2016 REVISION

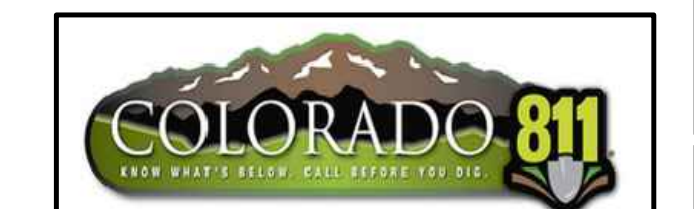
APPROVED
Oct 01 2024
PARKER WATER AND
SANITATION DISTRICT

EDCI
ENGINEERS
1331 17TH STREET • SUITE 605
DENVER, COLORADO 80202
PHONE: (720) 439-4700
WEBSITE: www.edci-engineers.com
CIVIL / STRUCTURAL
© Copyright 2024 Edci Engineers Inc. All Rights Reserved



EXPIRES: 10/31/2025

SANITARY SEWER DETAILS



LINCOLN PROFESSIONAL PARK FILING NO. 1 LOT 1 MAVERIK INC. STORE UTILITY PLANS

SITUATED IN THE NORTHWEST 1/4 OF SECTION 15,
TOWNSHIP 6 SOUTH, RANGE 66 WEST OF THE 6TH P.M.
TOWN OF PARKER, COUNTY OF DOUGLAS, STATE OF COLORADO

PROJECT NUMBER

21-122-0001

ISSUE DATE:

JUNE 30, 2023

REVISIONS:

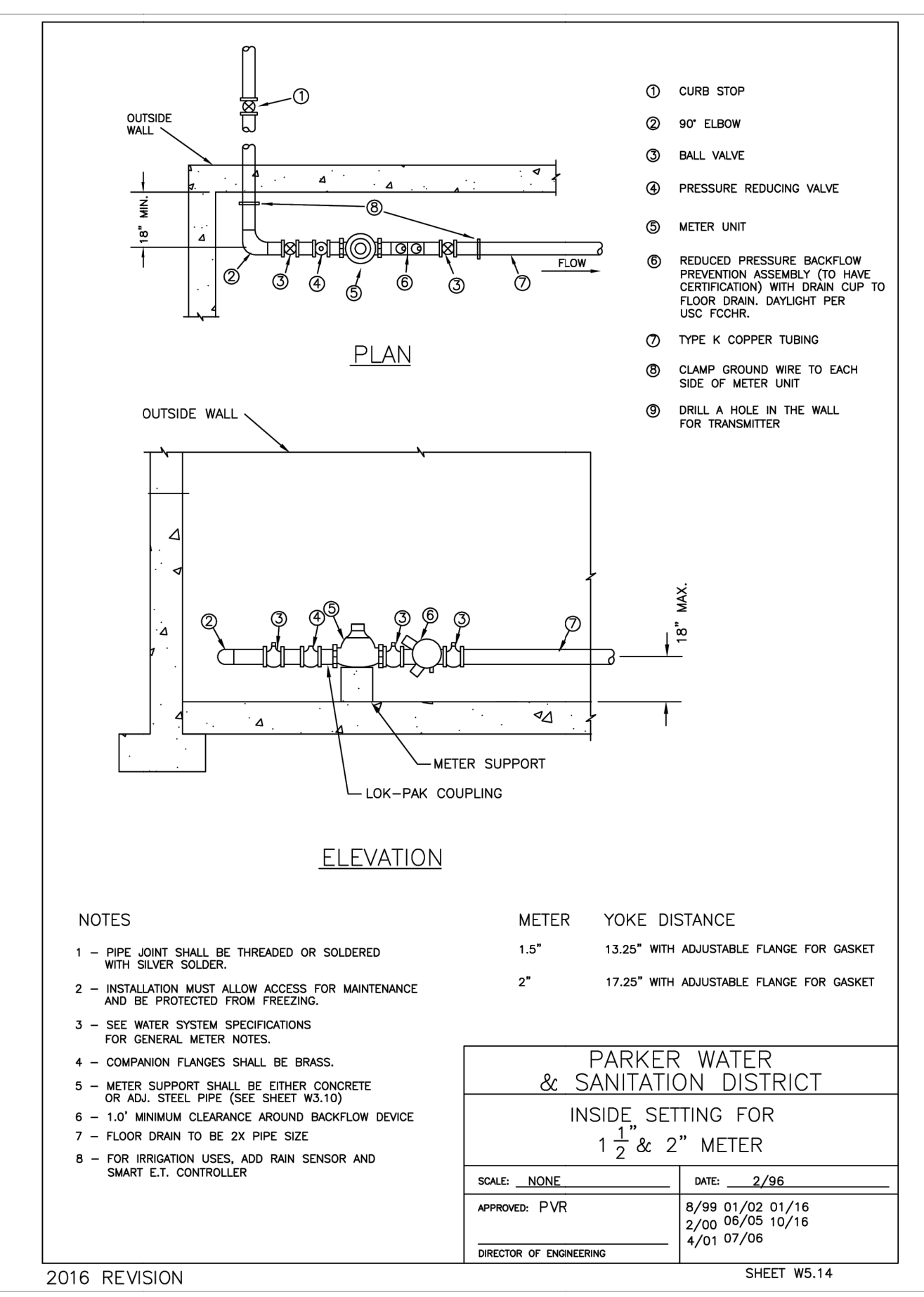
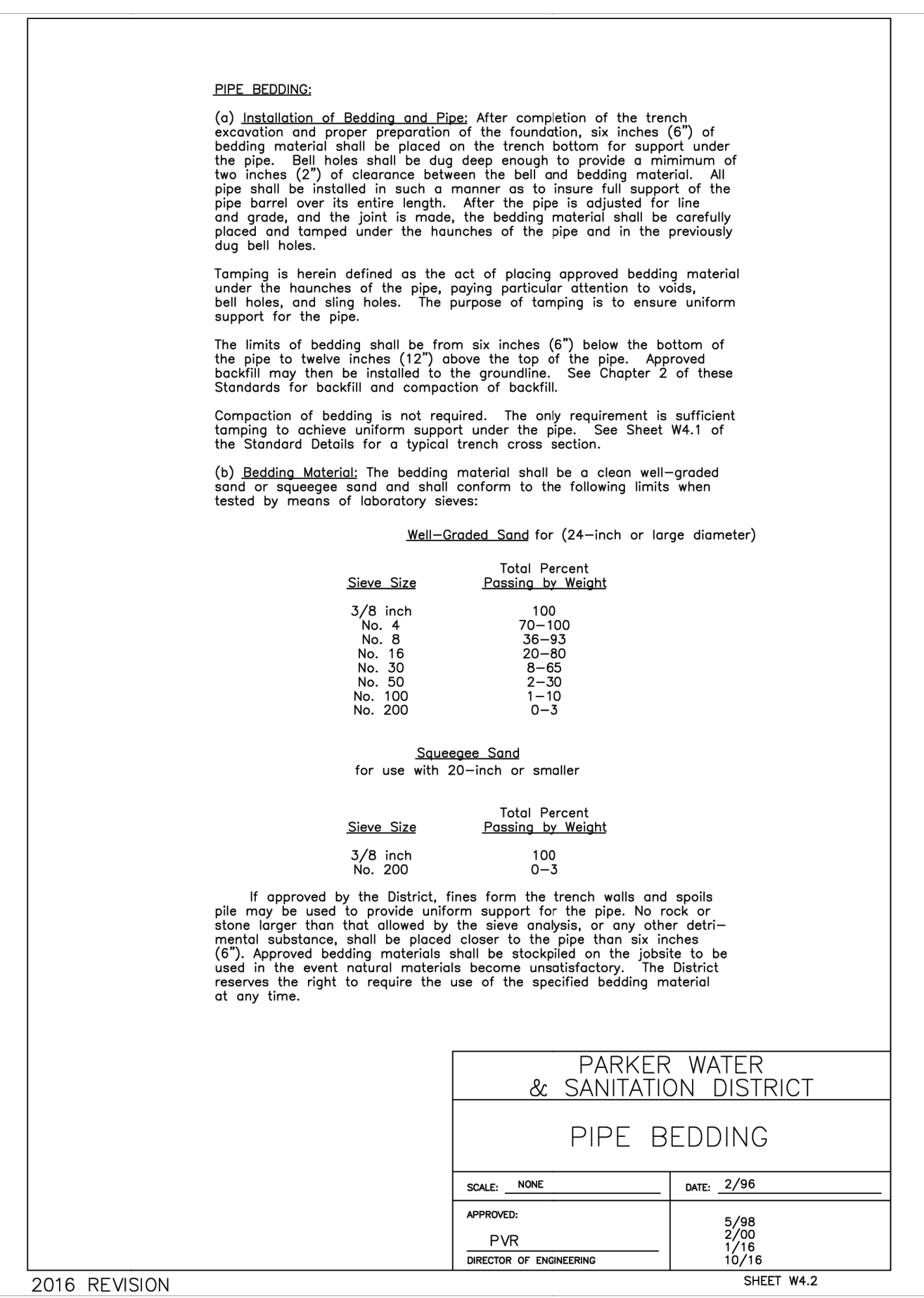
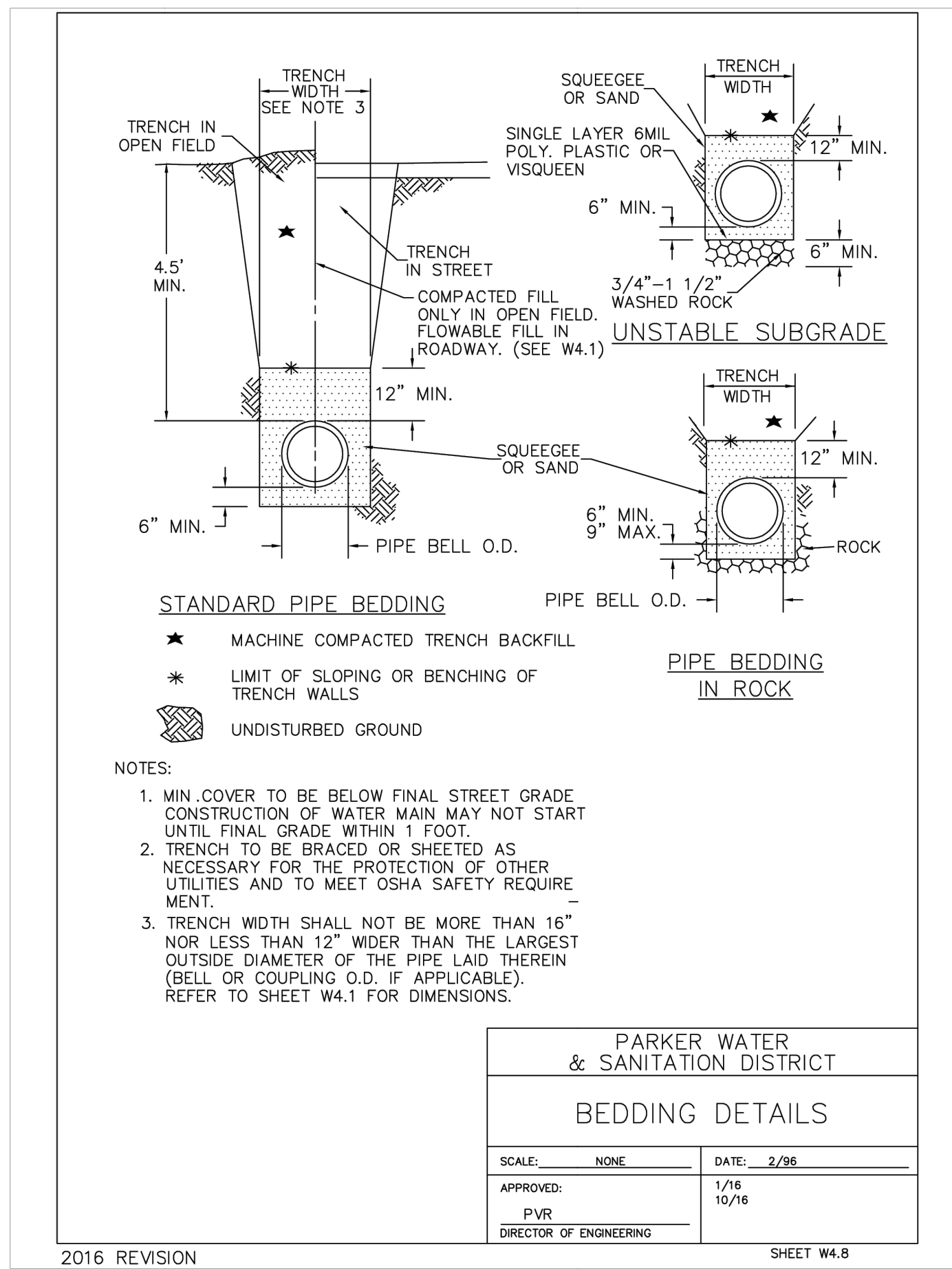
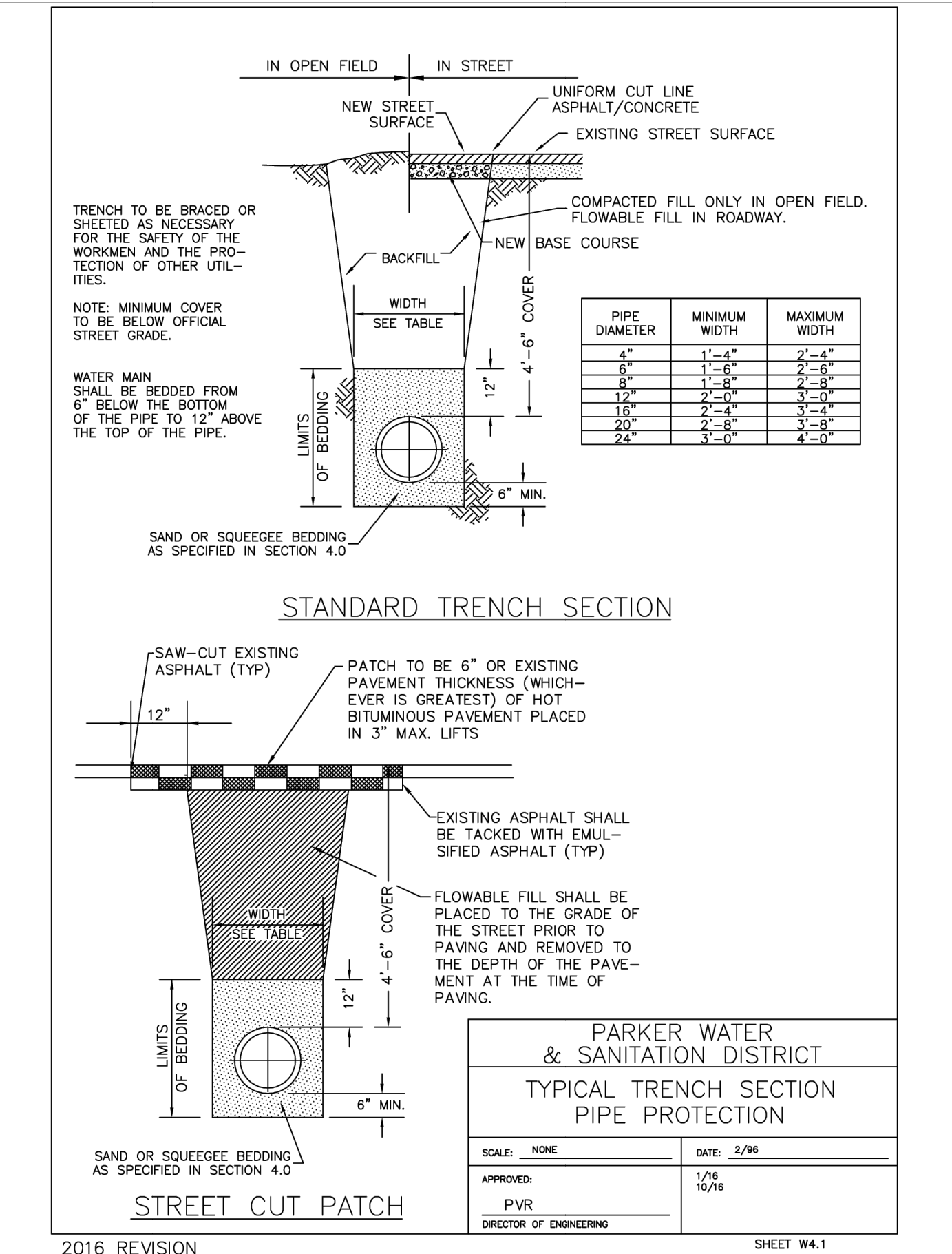
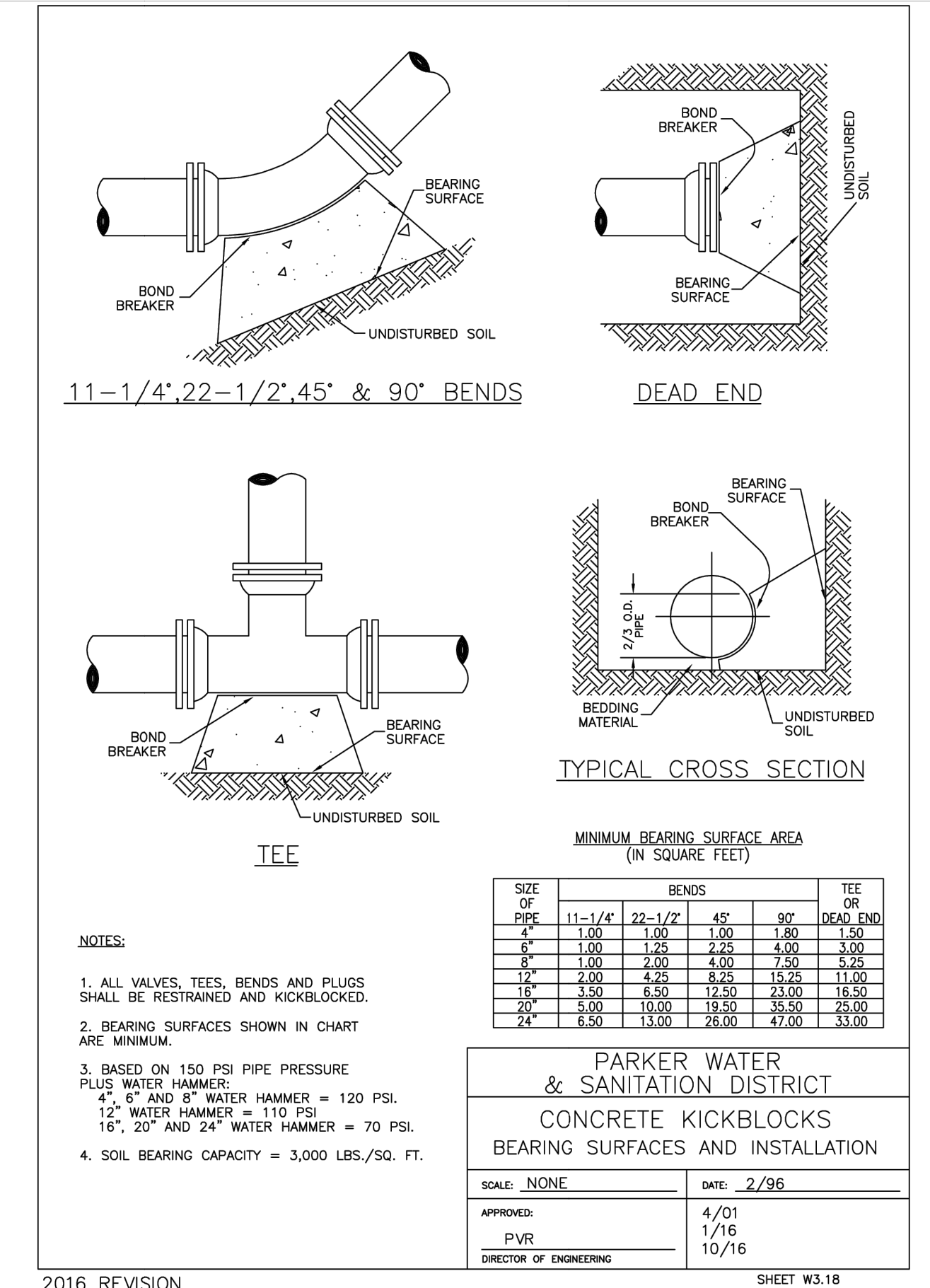
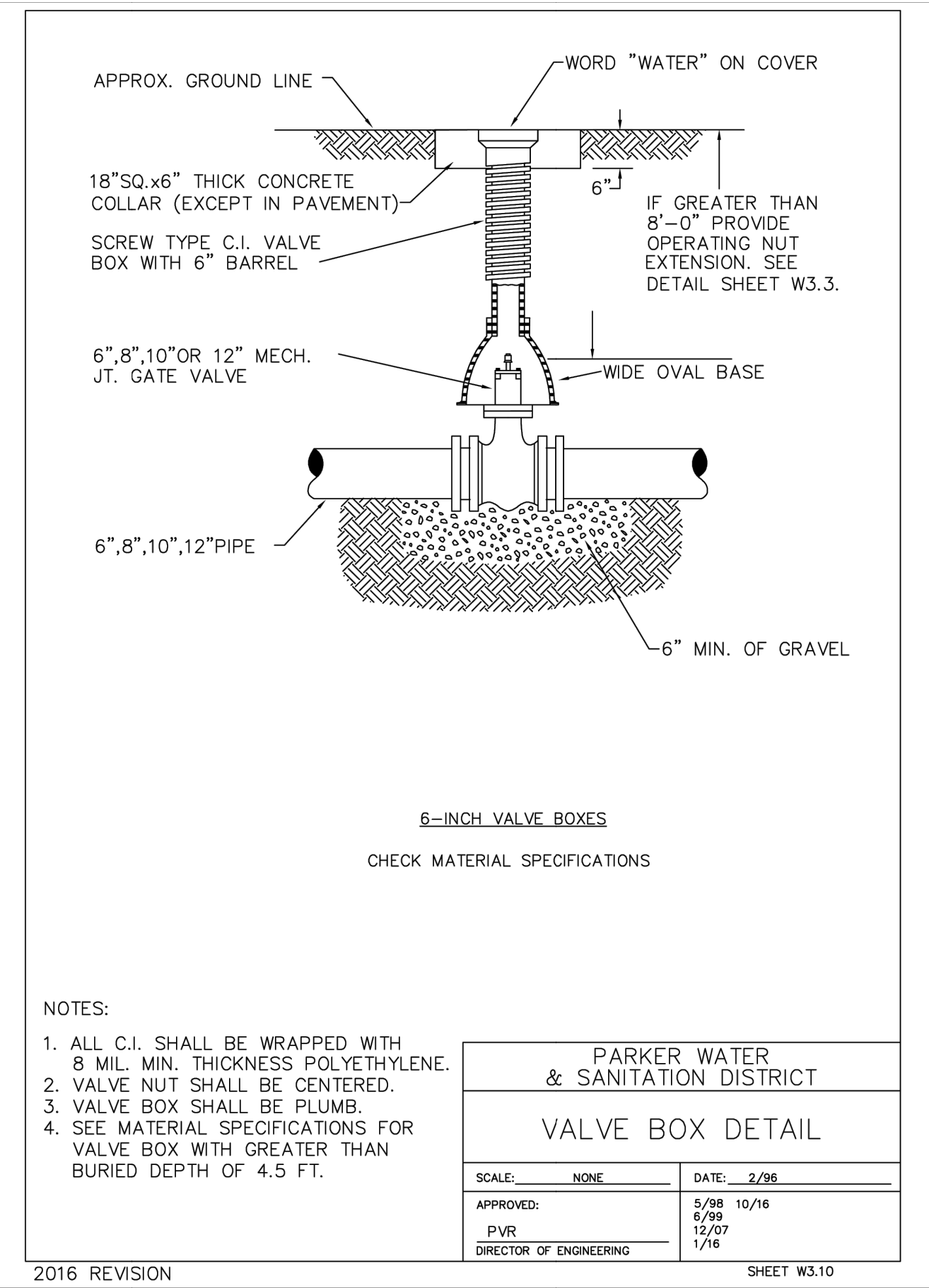
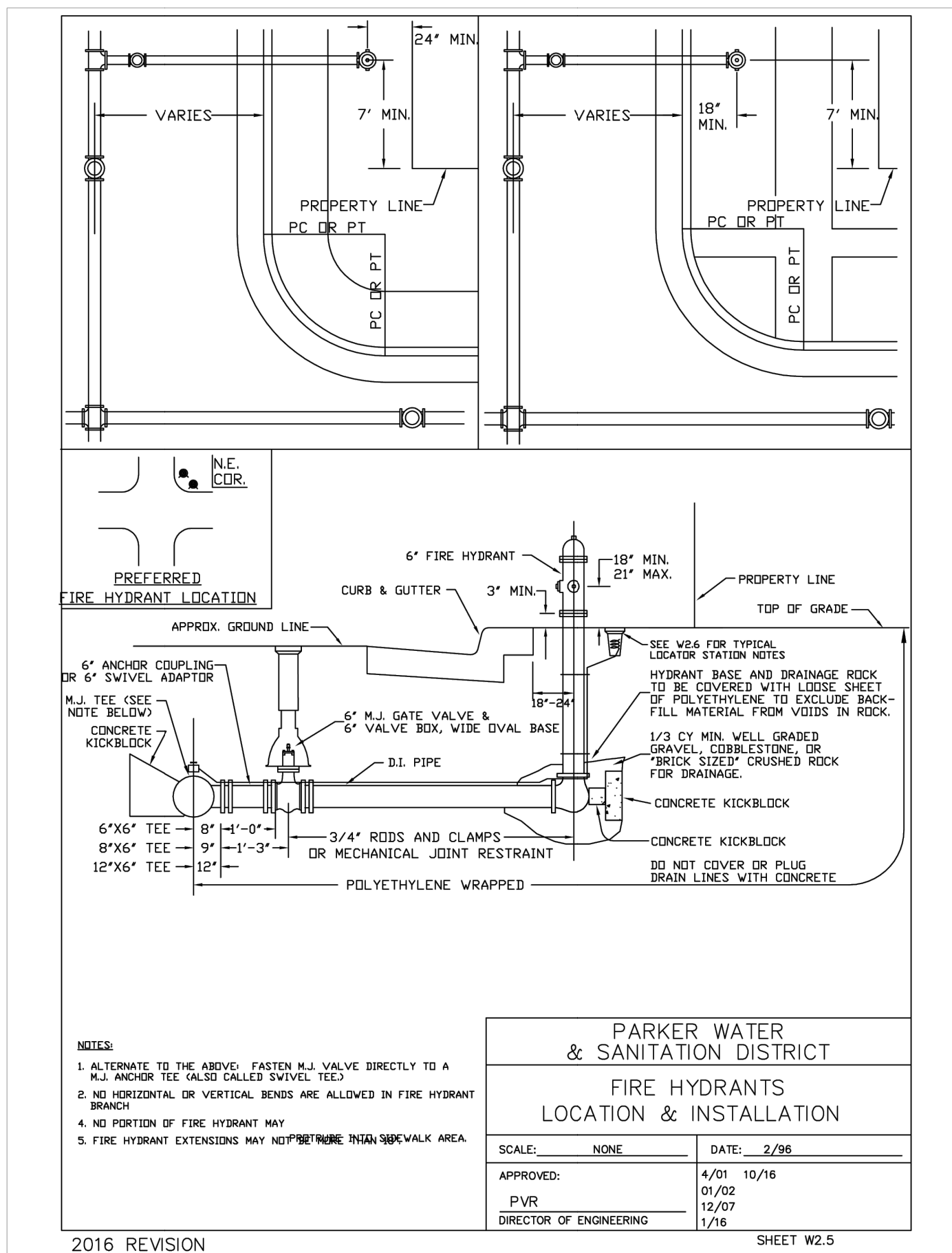
No.	Date	Description
1	5-24-22	CITY REVIEW
2	7-13-22	CITY REVIEW
3	10-19-22	CITY REVIEW
4	10-26-22	CITY REVIEW
5	12-08-22	CITY REVIEW
6	1-09-23	CITY REVIEW
7	3-10-23	CITY REVIEW
8	5-17-23	CITY REVIEW
9	6-30-23	CITY REVIEW

NOTE:
Bid documents should not be separated or issued as partial sets to subcontractors. Bidders are responsible for all portions of the documents that pertain to work covered by sub-bids. Bidder assumes full responsibility for error or misinterpretations resulting from partial sets of Bidding Documents by itself or any sub-bidder.

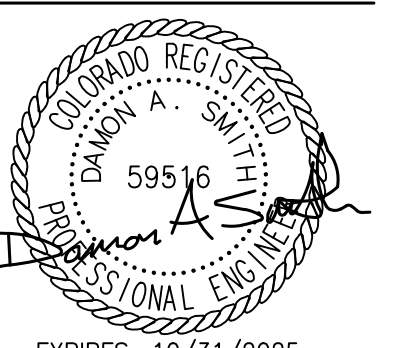
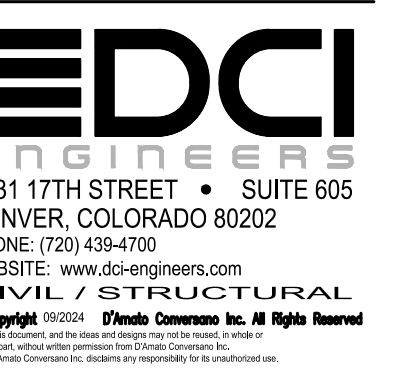
Conflicting information or errors found in the construction documents should be brought to the attention of the architect immediately. In the event of a conflict in the drawings, bidder should not assume the least expensive option will meet the project requirements.



MAVERIK INC. STORE
LINCOLN AVE. AND DRANSFELDT RD.
PARKER, CO



APPROVED
Oct 01 2024
PARKER WATER AND
SANITATION DISTRICT



EXPIRES: 10/31/2025

**WATER
DETAILS**

