

PLANT LEGEND

CCF G-8 White Fir 50'X20'-25'
 CSP G' Colorado Spruce 60'X35'
 B5P B Bakeri Spruce 30'X10'
 PN G' Pinon Pine 25' X 15'
 AUS G' Austrian Pine 50'X20'
 PON G' Ponderosa Pine 40'X25'
 MEJ 5-7 Gal. Medora Juniper 10'X5'
 SPA 5-7 Gal. Spartan Juniper 15'X5'
 WBL 10 Gal. Wichita Blue Juniper 20'X5'
 GSM Crimson Sentry Maple 25'X15'
 MP Imperial Locust 35'X25'
 SHA Shademaster Honeylocust 50'X35'
 BOA 2.5' Cal. Burr Oak 70' X 50'
 TEX Texas Rd Oak 50' X 40'
 ROA Northern Red Oak 50'X30'
 EOA English Oak 50'X40'
 RL Redmond Linden 40'X25'
 GMC Amur Maple G' Clump-#15 20'X15'
 ALG Thineaf Alder 20'X10'
 CRT Goldenrain Tree 30'X25'
 PRF Prairiefire Crab 20'X20'
 TGG Thunderchild Crab 20'X20'
 BSL Scotch Lena Broom 3'X4'
 BSG Spanish Gold Broom 4'X6'
 EGG Elyonimus Emerald Gaety 3'X5'
 AND Andora Juniper 18'X6'
 ARM Armstrong Juniper 4'X4'
 BCM Blue Chip Juniper 10'X6'
 BUF Buffalo Juniper 12'X6'
 HUG Hughes Juniper 18'X6'
 OLD Old Gold Juniper 3'X4'
 RBA Red Barberry 4'X5'
 OPB Crimson Pymy Barberry 2'X3'
 BBE Butterfly Bush 5'X5'
 BMS Blue Mist Spirea 3'X3'
 RTD Redtwig Dogwood 5' X 5'
 GTT Tom Thumb Goteaster 1'X3'
 GDI Goteaster, Shrub 6'X4'
 CHO Rock Goteaster 2'X3.5'
 DBB Dwarf Burning Bush 5'X4'
 RBA Russian Sage 4'X3'
 GDF Goldfinger Potentilla 3'X4'
 GDF Gold Drop Potentilla 3' X 3'
 PFS Pawnee Buttes Sand Cherry 1.5'X3'
 GSP 5 Gal. Globe Spruce 3'X4'
 MSL G Gal. Slowmound Mugho Pine 3'X4'
 MMO G Gal. Mops Mugho Pine 5'X6'
 MAQ Oregon Grape Holly 6'X6'
 MGO Compact Oregon Grape Holly 3'X4'-5'
 MRE Mahonia Repens 1.5'X2'
 SEA Seagreen Juniper 8'X6'
 WL Blue Rug Juniper 6'X6'
 DSP Daphne Spirea 2'X2'
 LPS Little Princess Pink Spirea 2'X3'
 NPS Neon Flash Spirea 3'X3'
 SFQ Fairy Queen Spirea 3'X3'
 MKL Miss Kim Lilac 5'X5'
 GPL Common Purple Lilac 15'X8'
 CSU Staghorn Cutleaf Sumac 8'X6'
 VK5 Koreanspice Viburnum 6' X 6'
 VBM Blue Muffin Viburnum 6'X6'
 DAG Dwarf American Cranberry 6'X4'
 KNP Knockout Pink Rose 3'X3'
 KNR Knockout Red Rose 3'X3'
 CPM Conifer Magna 24-36'X24'
 GAL Gallardia Burgundy 14'-24'X12'-24'
 ELA English Lavender 12'-18'X12'-18'
 RGD Goldstrum Rudbeckia 30'X24'
 SMN Salvia May Night 18'X18'

Perennials To Be Included In MIX Mixed Annuals/Perennials Areas:
 YAM Yarrow Moonshine/Pink/Yellow 20'X21'
 HSY Hyssop Sunset 24'-36'X18'-30'
 REV Red Valerian 24'X24'
 COM Compeopsis Moonbeam 18'-24'X12'-18'

Ornamental Grasses:
 FRG Feather Reed Grass 5'-6'X24'
 AVG Blue Avena Grass 2'X2'
 PMG Maiden Grass, Purple/Flame 3'-4'X18'-24'
 RSG Red Switch Grass 3'-4'X24'-30'
 LBG Little Bluestem 3'-4'X2'

Other:
 Precast Concrete Planters 36'X36' 60'X60'
 Trigrated Turf (Revelle - Texas Hybrids mx)
 Water Features, Fountains + Falls
 MIX Mixed Annuals/Perennials

Scale: 1" = 20'

North

QUICK KEY

PROPOSED RELATIVE SPOT GRADE

4XB CONCRETE CURB TEE AREA

SIDEWALK ELEVATION CHANGE

HOLE CURB

BOULDER ROCKWORK

LANDSCAPED/RETAINING WALL

WHEEL CHAIR ROUTE

12" HIGH AREA LIGHT

16" HIGH SPOT LIGHT

36" HIGH WALK LIGHT



LEGAL DESCRIPTION:
 LOT 4A, CROWN POINT FILING #1
 LOCATED IN A PORTION OF THE SW 1/4 OF SECTION 3,
 T6S, R66W, 6TH P.M., COUNTY OF DOUGLAS, STATE OF COLORADO

Prepared By:

Kirby Smith & Associates, Inc.
 Land Planning/Design/Landscape Architecture
 6001 So. Hudson Ct., Centennial, CO 80121
 (303) 694-8484 FAX (303) 694-9272
Job # 408

CALL UTILITY NOTIFICATION CENTER OF COLORADO
811
 CALL 2 BUSINESS DAYS IN ADVANCE BEFORE YOU DIG, GRADE, OR EXCAVATE FOR THE MARKING OF UNDERGROUND MEMBER UTILITIES.

REVISIONS	
DESCRIPTION	DATE

OWNER

SELECT DEVELOPMENT & CONTRACTING, LLC
 660 EAST FRANKLIN ROAD, MERIDIAN, ID 83642

PROJECT

Boondocks Fun Center
 CROWN POINT DEVELOPMENT PARKER, CO

COPYRIGHT 2015

Peter H. Rockwell, Architect
 Architecture • Planning
 595 S Americana Boulevard Boise, Idaho 83702
 (208) 345-0566 (208) 345-1718 Fax (208) 387-0889
 office@pgrboise.com

KIRBY J. SMITH
 ARCHITECT
 Original Date of License
 12/15/2009
 12/15/2011
 12/15/2013

CONSTRUCTION DRAWINGS LANDSCAPE PLAN (NORTH)

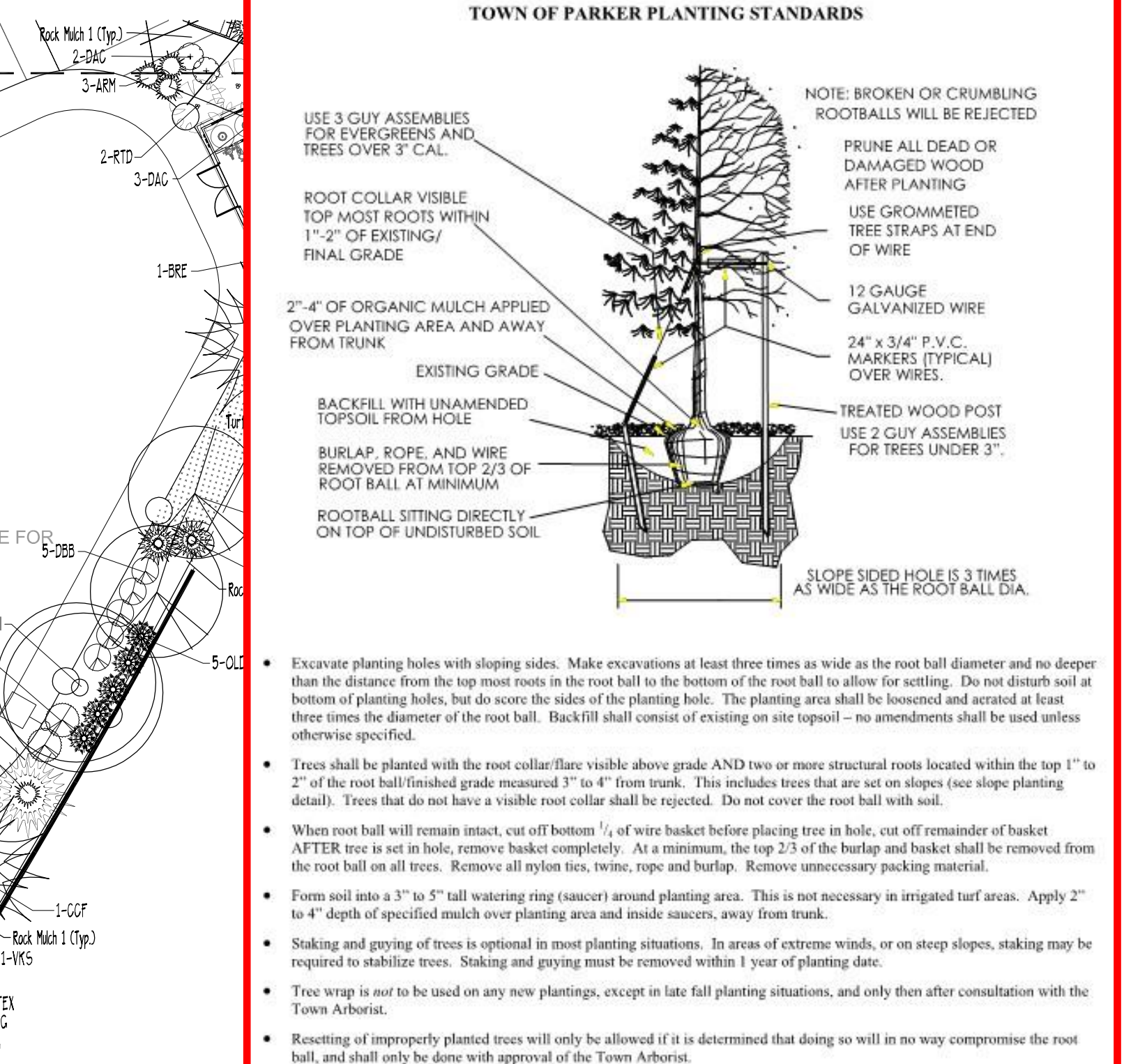
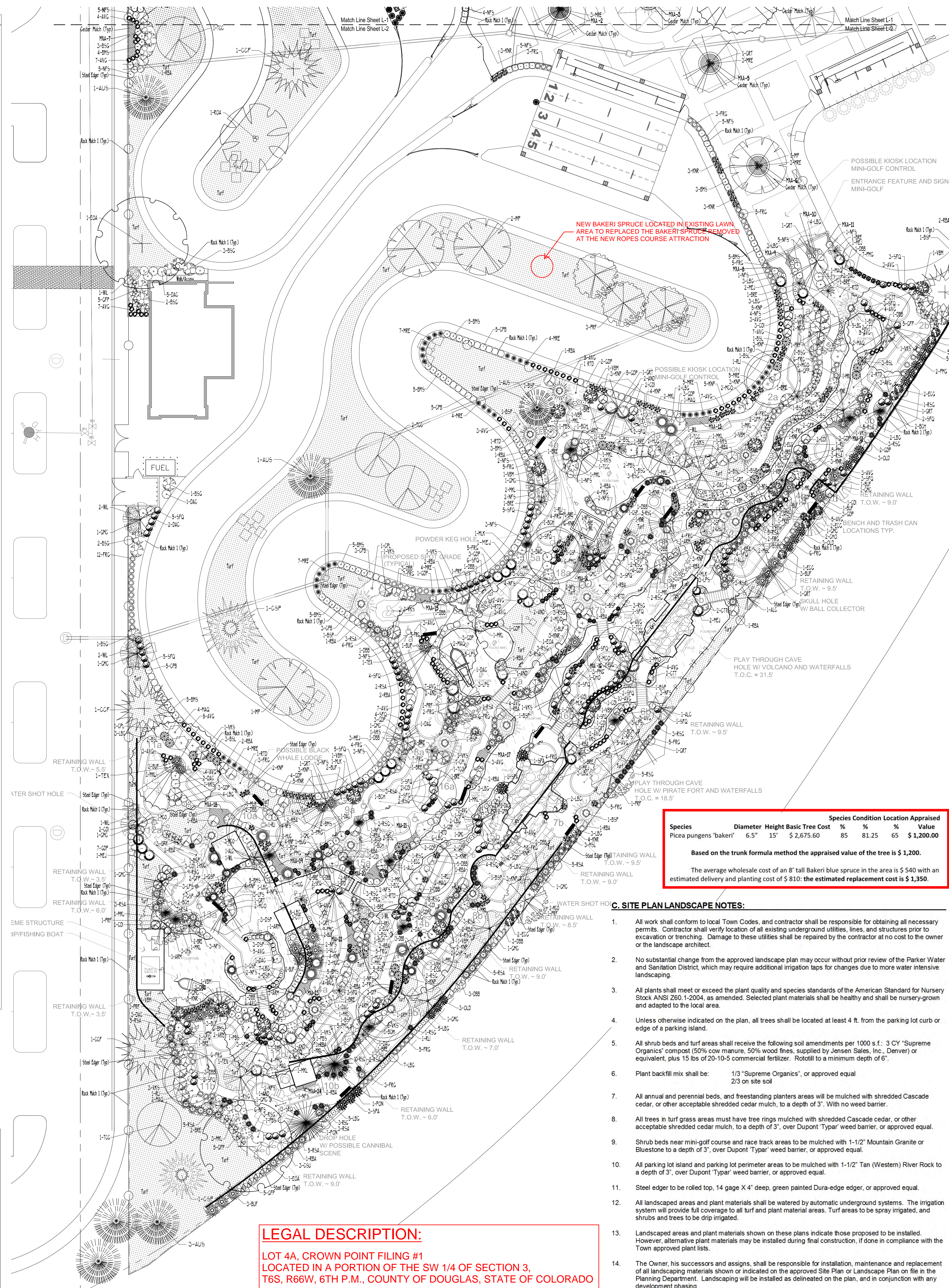
SHEET DATA
 DRAWN BY: KJS
 CHECKED BY: KJS
 SCALE: 1" = 20'
 DATE: 5/29/15
 PROJECT: 4001

SHEET NUMBER

L-3

PLANT LEGEND

CCF G-8 White Fir 50'X20'-25'
CSP G Colorado Spruce 60'X35'
BSP B Bakeri Spruce 30'X10'
PN G Pinon Pine 25' X 15'
AUS G Austrian Pine 50'X20'
PN G Ponderosa Pine 40'X25'
MEJ 5-7 Gal. Medora Juniper 10'X5'
SPA 5-7 Gal. Spartan Juniper 15'X5'
WBL 10 Gal. Wichita Blue Juniper 20'X5'
CSM Crimson Sentry Maple 25'X15'
MP Imperial Locust 35'X25'
SHA Shademaster Honeylocust 50'X35'
BOA 2.5' Gal. Burr Oak 70' X 50'
TEX Texas Red Oak 50' X 40'
ROA Northern Red Oak 50'X30'
EOA English Oak 50'X40'
RU Redmond Linden 40'X25'
GMC Amur Maple G Clump #15 20'X15'
ALG Thineaf Alder 20'X10'
GRT Goldenrain Tree 30'X25'
PRF Prairiefire Crab 20'X20'
TGG Thunderchild Crab 20'X20'
B5L Scotch Lena Broom 3'X4'
B5G Spanish Gold Broom 4'X6'
EGG Euyonium Emerald Gaety 3'X5'
AND Andora Juniper 18'X6'
ARM Armstrong Juniper 4'X4'
BCH Blue Chip Juniper 10'X6'
BUF Buffalo Juniper 12'X6'
HUG Hughes Juniper 18'X6'
OLD Old Gold Juniper 3'X4'
RBA Red Barberry 4'X5'
CB Crimson Pygmy Barberry 2'X3'
BEE Butterfly Bush 5'X5'
BMS Blue Mist Spirea 3'X3'
RTD Redtwig Dogwood 8' X 8'
CTT Tom Thumb Cotoneaster 1'X3'
CDI Cotoneaster, Shrub 6'X4'
CHO Rock Cotoneaster 2'X3.5'
DBB Dwarf Burning Bush 5'X4'
RSA Russian Sage 4'X3'
GFP Goldfinger Potentilla 3'X3'
GPB Gold Drop Potentilla 3' X 3'
PBS Pawnee Buttes Sand Cherry 1.5'X6'
YAM Yarrow Moonshine/Pink/Yellow 20'X21'
HSU Hyssop Sunset 24"-36'X18"-30"
REV Red Valerian 24'X24'
COM Copeopsis Moonbeam 18"-24'X12"-18"
CPM Coneflower Magna 24"-36'X24"
GAL Gallardia Burgundy 14"-24'X12"-24"
ELA English Lavender 12"-18'X12"-18"
RGD Goldstrum Rudbeckia 30'X24"
SMN Salvia May Night 18'X18"
FRG Feather Reed Grass 5'-6'X24"
AVG Blue Avena Grass 2'X2'
PMG Maiden Grass, Purple/Flame 3'-4'X18"-24"
RSB Red Switch Grass 3'-4'X24"-30"
LBG Little Bluestem 3'-4'X2'
Precast Concrete Planters
Frigated Turf ('Reville' - Texas Hybrids mix)
Water Features, Fountains + Falls
MIX Mixed Annuals/Perennials



PLANT & MATERIALS SCHEDULE

QTY.	ITEM	COMMON NAME	SCIENTIFIC NAME	SIZE	Comments
4	IMP	Imperial Honeylocust	Gleditsia trancanobis 'Imperial'	2" Cal.	B&B
22	SHA	Shademaster Honeylocust	Gleditsia trancanobis 'Shademaster'	2" Cal.	B&B
8	RLI	Redmond Linden	Tilia americana 'Redmond'	2" Cal.	B&B
4	CSM	Crimson Sentry Maple	Acer platanoides 'Crimson Sentry'	2" Cal.	B&B
4	BOA	Burr Oak	Quercus macrocarpa	2" Cal.	B&B
4	EOA	English Oak	Quercus robur	2" Cal.	B&B
3	ROA	Northern Red Oak	Quercus rubra	2" Cal.	B&B
28	TEX	Texas Red Oak	Quercus buckleyi	2" Cal.	B&B
5	CCF	Concolor Fir/White Fir	Abies concolor	6" Ht.	B&B
5	AUS	Austrian Pine	Pinus nigra	6" Ht.	B&B
7	PIN	Pinion Pine	Pinus edulis	6" Ht.	B&B
8	PON	Ponderosa Pine	Pinus ponderosa	6" Ht.	B&B
21	BSP	Bakeri Spruce	Picea pungens 'Bakeri'	6" Ht.	B&B
2	CSP	Colorado Blue Spruce	Picea pungens	6" Ht.	B&B
15	MEJ	Medora Juniper	Juniperus scopulorum 'Medora'	7 Gal.	4" Min. Ht.
5	SPA	Spartan Juniper	Juniperus chinensis 'Spartan'	7 Gal.	4" Min. Ht.
7	WBL	Wichita Blue Juniper	Juniperus scopulorum 'Wichita Blue'	7 Gal.	4" Min. Ht.
14	PRF	Prairiefire Crab	Malus ssp. 'Prairiefire'	1.75" Cal.	B&B
6	ALC	Thinleaf Alder	Alnus tenuifolia	1.5 Gal.	6 Clump/stacked
11	TCC	Thunderchild Crab	Malus x 'Thunderchild'	1.75" Cal.	B&B
12	GRT	Goldenrain Tree	Koeleria paniculata	1.75" Cal.	B&B
18	GMC	Ginny Maple	Acer ginnala	6-8' Clump	B&B
84	CPB	Crimson Pygmy Barberry	Berberis thunbergii 'Autropurpurea' Nana'	5 Gal.	15" Min. Ht.
15	RBA	Red Barberry	Berberis thunbergii 'Autropurpurea'	5 Gal.	18" Min. Ht.
106	DBE	Dwarf Burning Bush	Euonymus alatus 'Compacta'	5 Gal.	18" multi-staked
25	BJF	Butterfly Bush	Buddleia davidii	5 Gal.	24" multi-staked
39	DAC	Dwarf American Cranberry	Viburnum trilobum 'Compactum'	5 Gal.	18" multi-staked
13	RTD	Red Twig Dogwood	Cornus sericea 'Bailey'	5 Gal.	24-30" multi-staked
3	CPL	Common Purple Lilac	Syringa vulgaris	5 Gal.	18-24" multi-staked
39	MKL	Miss Kim Lilac	Syringa patula 'Miss Kim'	5 Gal.	18-24" multi-staked
63	GDP	Gold Drop Potentilla	Potentilla fruticosa 'Gold Drop'	5 Gal.	18-24" multi-staked
73	GFP	Goldfinger Potentilla	Potentilla fruticosa 'Goldfinger'	5 Gal.	24" multi-staked
75	RSA	Russian Sage	Perovskia atriplicifolia	5 Gal.	24" multi-staked
6	PBS	Pawnee Buttes Sand Cherry	Prunus besseyi 'Pawnee Buttes'	5 Gal.	18" multi-staked
66	BMS	Blue Mist Spirea	Caroyopteris clandestina	5 Gal.	18" multi-staked
9	DSF	Daphne Spirea	Spirea japonica var. alpina	5 Gal.	18" multi-staked
97	SFC	Fairy Queen Spirea	Spirea trilobata 'Fairy Queen'	5 Gal.	24" multi-staked
111	NFS	Neon Flash Spirea	Spirea japonica 'Neon Flash'	5 Gal.	24" multi-staked
28	LPS	Little Princess Spirea	Spirea japonica 'Little Princess'	5 Gal.	18" multi-staked
19	VBM	Blue Muffin Viburnum	Viburnum dentatum 'Christom'	5 Gal.	24-30" multi-staked
23	VKS	Koreanspice Viburnum	Viburnum carlesii	5 Gal.	24-30" multi-staked
10	CSU	Staghorn Cutleaf Sumac	Rhus typhina 'Lanciniata'	5 Gal.	24" multi-staked
61	KNP	Knockout Pink Rose	Rosa 'RADCON'	2 to 5 Gal.	24" multi-staked
55	KNR	Knockout Red Rose	Rosa 'RADREZ'	2 to 5 Gal.	24" multi-staked
25	B5L	Boom, Scotch Lena	Cyclus dalmorei 'Lena'	5 Gal.	20-24" Min. Ht.
57	B5G	Boom, Spanish Gold	Cyclus purgan 'Spanish Gold'	5 Gal.	20-24" Min. Ht.
11	CTT	Tom Thumb Cotoneaster	Cotoneaster apollinis 'Tom Thumb'	5 Gal.	18" Min. Spread
27	COJ	Crab Cotoneaster	Cotoneaster horizontalis	5 Gal.	18" Min. Spread
4	CHO	Rock Cotoneaster	Cotoneaster horizontalis	5 Gal.	18" Min. Spread
16	ECG	Canada Gold Euonymus	Euonymus fortunei 'Canada Gold'	5 Gal.	18" Min. Spread
32	MAQ	Mahonia/Oregon Grape	Mahonia aquifolium 'Kings Ramsom'	5 Gal.	20" Min. Ht.
17	MCO	Compact Mahonia/Oregon Grape	Mahonia aquifolium 'Compacta'	5 Gal.	20" Min. Ht.
65	MRE	Creeping Oregon Grape	Mahonia repens	1 Gal.	12" Min. Ht.
9	AND	Andora Juniper	Juniperus horizontalis 'Youngstown'	5 Gal.	18" Min. Spread
16	ARM	Armstrong Juniper	Juniperus chinensis 'Armstrongii'	5 Gal.	18" Min. Spread
13	BCH	Blue Chip Juniper	Juniperus horizontalis 'Blue Chip'	5 Gal.	18" Min. Spread
45	BUF	Buffalo Juniper	Juniperus sabina 'Buffalo'	5 Gal.	18" Min. Spread
52	HUG	Hughes Juniper	Juniperus horizontalis 'Hughes'	5 Gal.	18" Min. Spread
3	SEA	Sea Green Juniper	Juniperus x media 'Sea Green'	5 Gal.	18" Min. Spread
19	OLD	Old Gold/Gold Coast Juniper	Juniperus x media 'Old Gold'	5 Gal.	18" Min. Spread
10	VAL	Wilson Blue Rug Juniper	Juniperus horizontalis 'Wilsonii'	5 Gal.	18" Min. Spread
20	MMO	Mugo Pine, Mops	Pinus mugo 'Mops'	3 Gal.	24" Min. Ht.
7	MSL	Mugo Pine, Slowmound	Pinus mugo 'Slowmound'	3 Gal.	12" Min. Ht.
9	GSP	Globe Blue Spruce	Picea pungens 'Globosa'	3 Gal.	18" Min. Ht.
192	AVG	Blue Avena 'Oat Grass	Helictotrichon sempervirens	1 Gal.	12" Min. Spread
217	FRG	Feather Reed Grass	Calamagrostis acutiflora 'Karl Foerster'	1 Gal.	24-30" oc.
118	LBG	Little Bluestem	Schizachyrium scopulorum 'Blues'	1 Gal.	Min. 24" oc.
125	PMG	Maiden Grass, Purple/Flame	Miscanthus sinensis 'Purpureusens'	1 Gal.	18-24" oc.
87	RCG	Red Switch Grass	Panicum virgatum 'Shenandoah'	1 Gal.	24-30" oc.
3	COM	Coreopsis, Moonbeam	Coreopsis verticillata 'Moonbeam'	1 Gal.	12-18" oc.
8	CPM	Coneflower, 'Magna'	Echinacea purpurea	1 Gal.	18-24" oc.
3	GAI	Gaillardia, Burgundy Blanket Flower	Gaillardia aristata	1 Gal.	18-24" oc.
2	HSU	Hyssop, Sunset	Agastache rupestris	1 Gal.	24" oc.
5	ELA	English Lavender	Lavandula angustifolia 'Munstead'	1 Gal.	18" oc.
3	REV	Red Valerian/Jupiter's Beard	Centranthus ruber	1 Gal.	18" oc.
8	RGD	Rudbeckia, Blackeyed Susan	Rudbeckia fulgida 'Goldstrum'	1 Gal.	18" oc.
12	SMN	Salvia, May Night	Salvia sylvestris x 'Mianacht'	1 Gal.	18" oc.
6	YAM	Moonshine Yarrow	Achillea 'Moonshine'	1 Gal.	18-24" oc.
750	MIXA	Mixed Annuals & Winter Pansies		2" - 6" pots	170 oc.

Species Condition Location Appraisal

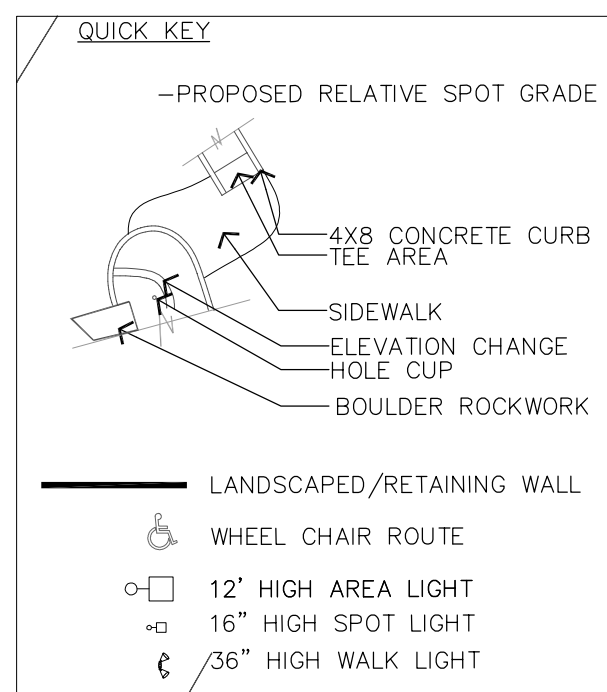
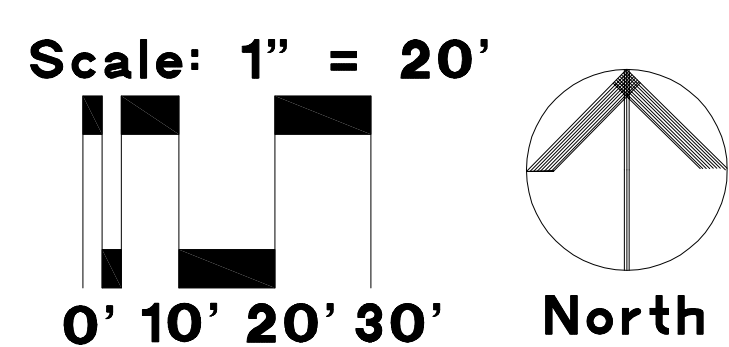
Species	Diameter	Height	Basic Tree Cost	%	%	Value	
Picea pungens 'bakeri'	6.5"	15'	\$2,675.60	85	81.25	65	\$1,200.00

Based on the trunk formula method the appraised value of the tree is \$1,200.00

The average wholesale cost of an 8" tall Bakeri blue spruce in the area is \$540 with an estimated delivery and planting cost of \$810; the estimated replacement cost is \$1,350.

- ### C. SITE PLAN LANDSCAPE NOTES:
- All work shall conform to local Town Codes, and contractor shall be responsible for obtaining all necessary permits. Contractor shall verify location of all existing underground utilities, lines, and structures prior to excavation or trenching. Damage to these utilities shall be repaired by the contractor at no cost to the owner or the landscape architect.
 - No substantial change from the approved landscape plan may occur without prior review of the Parker Water and Sanitation District, which may require additional irrigation taps for changes due to more water intensive landscaping.
 - All plants shall meet or exceed the plant quality and species standards of the American Standard for Nursery Stock ANSI Z60.1-2004, as amended. Selected plant materials shall be healthy and shall be nursery-grown and adapted to the local area.
 - Unless otherwise indicated on the plan, all trees shall be located at least 4 ft. from the parking lot curb or edge of a parking island.
 - All shrub beds and turf areas shall receive the following soil amendments per 1000 s.f.: 3 CY "Supreme Organics" compost (50% cow manure, 50% wood fines, supplied by Jensen Sales, Inc., Denver) or equivalent, plus 15 lbs of 20-10-5 commercial fertilizer. Rototill to a minimum depth of 6".
 - Plant backfill mix shall be: 1/3 "Supreme Organics", or approved equal 2/3 on site soil
 - All annual and perennial beds, and freestanding planters areas will be mulched with shredded Cascade cedar, or other acceptable shredded cedar mulch, to a depth of 3". With no weed barrier.
 - All trees in turf grass areas must have tree rings mulched with shredded Cascade cedar, or other acceptable shredded cedar mulch, to a depth of 3", over Dupont 'Typar' weed barrier, or approved equal.
 - Shrub beds near mini-golf course and race track areas to be mulched with 1-1/2" Mountain Granite or Bluestone to a depth of 3", over Dupont 'Typar' weed barrier, or approved equal.
 - All parking lot island and parking lot perimeter areas to be mulched with 1-1/2" Tan (Western) River Rock to a depth of 3", over Dupont 'Typar' weed barrier, or approved equal.
 - Steel edger to be rolled top, 14 gage X 4" deep, green painted Dura-edge edger, or approved equal.
 - All landscaped areas and plant materials shall be watered by automatic underground systems. The irrigation system will provide full coverage to all turf and plant material areas. Turf areas to be spray irrigated, and shrubs and trees to be drip irrigated.
 - Landscaped areas and plant materials shown on these plans indicate those proposed to be installed. However, alternative plant materials may be installed during final construction, if done in compliance with the Town approved plant lists.
 - The Owner, his successors and assigns, shall be responsible for installation, maintenance and replacement of all landscaping materials shown or indicated on the approved Site Plan or Landscape Plan on file in the Planning Department. Landscaping will be installed as delineated on the plan, and in conjunction with any development phasing.

LEGAL DESCRIPTION:
 LOT 4A, CROWN POINT FILING #1
 LOCATED IN A PORTION OF THE SW 1/4 OF SECTION 3,
 T6S, R66W, 6TH P.M., COUNTY OF DOUGLAS, STATE OF COLORADO



REVISIONS	DESCRIPTION	DATE

OWNER: **SELECT DEVELOPMENT & CONTRACTING, LLC**
 660 EAST FRANKLIN ROAD, MERIDIAN, ID 83642

PROJECT: **CROWN POINT DEVELOPMENT**
 PARKER, CO

COPYRIGHT 2015

Peter H. Rockwell, Architect
 Architecture + Planning
 595 S Americana Boulevard Boise, Idaho 83702
 (208) 345-0566 Fax (208) 387-0889
 office@prb Boise

CONSTRUCTION DRAWINGS LANDSCAPE PLAN (SOUTH)

SHEET DATA
 DRAWN BY: KJS
 CHECKED BY: KJS
 SCALE: 1" = 20'
 DATE: 5/29/15
 PROJECT: 14001

SHEET NUMBER: **L-4**

811
 CALL 4 BUSINESS DAYS IN ADVANCE BEFORE YOU DIG, GRADE, OR EXCAVATE FOR THE MARKING OF UNDERGROUND MEMBER UTILITIES.