

SUNSHADE HAVE BEEN REMOVED FROM THE PROJECT WTE 06.01.2022

LAND USE TABLE		
Area Zoning (PD)	PD	
Land Use(s)	REGIONAL COMMERCIAL RETAIL	
Surrounding Use(s)	REGIONAL COMMERCIAL RETAIL	
Site Area (sqft)	1215 SF (APPROX. STRUCTURE)	
Building Area (sqft)		
Building Gross Floor Area (GFA)	N/A	
Building Net Leasable Area (NLA)	N/A	
Floor Area Ratio	N/A	
Number of Buildings	N/A	
Building height at max	38'-0" TOP OF STEEL	
Total Landscaped Areas		
Site Perimeter (sqft)	N/A	
Parking Lot Perimeter (sqft)	N/A	
Streetscaping Area (sqft)	N/A	
Parking Lot Islands (sqft)	N/A	
	REQUIRED	PROVIDED
Setbacks		
Front	30'-0"	30'-0"
Side	30'-0"	30'-0"
Side	30'-0"	30'-0"
Other/additional side(s)	N/A	N/A
Back	N/A	N/A
Parking		
Area (sqft)	N/A	N/A
Number of Stalls	N/A	N/A
Number of ADA Accessible Stalls	N/A	N/A
Number of Van ADA Accessible Stalls	N/A	N/A
Number of Bike Stalls	N/A	N/A

REVISED - WTE 06.01.2022

GENERAL PROJECT NOTES:

1. MULTI-POST ROPES COURSE ATTRACTION IS DESIGN, ENGINEERED, and INSTALLED BY MANUFACTURER. MANUFACTURER'S ENGINEERED DRAWINGS and RENDERINGS ARE INCLUDED IN THIS SUBMITTAL PACKAGE FOR REFERENCE and CLARIFICATIONS.
2. ROPES COURSE ATTRACTION WILL BE LOCATED ON THE EXISTING CONCRETE PATIO ON THE SOUTH SIDE OF THE EXISTING BLD'G.
3. THIS ATTRACTION IS NOT CONSIDERED A BUILDING STRUCTURE and IN TURN DOES NOT INCREASE OCCUPANT LOAD OF THE FACILITY.
4. WITH NOT ADDITIONAL OCCUPANTS THIS ATTRACTION WILL NOT AFFECT PARKING SO EXISTING PARKING IS NOT BEING CHANGED.
5. ROPES COURSE ATTRACTION DOES NOT HAVE ANY LIGHTING ASSOCIATED WITH IT. EXISTING SITE and BUILDING LIGHTING ARE NOT BEING AFFECTED BY THIS ATTRACTION. NO PHOTOMETRIC IS BEING PROVIDED IN THIS SUBMITTAL.
6. SUNSHADE ELEMENT HAS BEEN REMOVED FROM THE PROJECT.

LEGAL DESCRIPTION:

LOT 4A, CROWN POINT FILING #1
LOCATED IN A PORTION OF THE SW 1/4 OF SECTION 3,
T6S, R66W, 6TH P.M., COUNTY OF DOUGLAS, STATE OF COLORADO

Boondocks Food and Fun - Parker

8 POLE 2 LEVEL SKY TRAIL® DISCOVERY WITH (1) 60°SKY RAIL® AND SUN SHADES

**WE BUILD
ADVENTURE**

PLANT LEGEND

CCF G-8 White Fir 50'X20'-25'
 CSP G' Colorado Spruce 60'X35'
 B5P B Bakeri Spruce 30'X10'
 PN G' Pinon Pine 25' X 15'
 AUS G' Austrian Pine 50'X20'
 PON G' Ponderosa Pine 40'X25'
 MEJ 5-7 Gal. Medora Juniper 10'X5'
 SPA 5-7 Gal. Spartan Juniper 15'X5'
 WBL 10 Gal. Wichita Blue Juniper 20'X5'
 GSM Crimson Sentry Maple 25'X15'
 MP Imperial Locust 35'X25'
 SMA Shademaster Honeylocust 50'X35'
 BOA 2.5' Cal. Burr Oak 70' X 50'
 TEX Texas Rd Oak 50' X 40'
 ROA Northern Red Oak 50'X30'
 EOA English Oak 50'X40'
 RL Redmond Linden 40'X25'
 GMC Amur Maple G' Clump-#15 20'X15'
 ALG Thineaf Alder 20'X10'
 CRT Goldenrain Tree 30'X25'
 PRF Prairiefire Crab 20'X20'
 TGG Thunderchild Crab 20'X20'
 BSL Scotch Lena Broom 3'X4'
 BSG Spanish Gold Broom 4'X6'
 EGG Elyonimus Emerald Gaety 3'X5'
 AND Andora Juniper 18'X6'
 ARM Armstrong Juniper 4'X4'
 BCM Blue Chip Juniper 10'X6'
 BUF Buffalo Juniper 12'X6'
 HUG Hughes Juniper 18'X6'
 OLD Old Gold Juniper 3'X4'
 RBA Red Barberry 4'X5'
 OPB Grimm's Pigmy Barberry 2'X3'
 BBE Butterfly Bush 5'X5'
 BMS Blue Mist Spirea 3'X3'
 RTD Redtwig Dogwood 8' X 8'
 GTT Tom Thumb Götanesater 1'X3'
 GDI Götanesater, Shrub 6'X4'
 CHO Rock Götanesater 2'X3.5'
 DBB Dwarf Burning Bush 5'X4'
 RBA Russian Sage 4'X3'
 GDF Goldfinger Forsythia 3'X4'
 GDF Gold Drop Potentilla 3' X 3'
 PFS Pawnee Buttes Sand Cherry 1.5'X3'
 GSP 5 Gal. Globe Spruce 3'X4'
 MSL G Gal. Slowmound Mugho Pine 3'X4'
 MMO G Gal. Mops Mugho Pine 5'X6'
 MAQ Oregon Grape Holly 6'X6'
 MGO Compact Oregon Grape Holly 3'X4'-5'
 MRE Mahonia Repens 1.5'X2'
 SEA Seagreen Juniper 8'X6'
 WL Blue Rug Juniper 6'X6'
 DSP Daphne Spirea 2'X2'
 LPS Little Princess Pink Spirea 2'X3'
 NPS Neon Flash Spirea 3'X3'
 SFQ Fairy Queen Spirea 3'X3'
 MKL Miss Kim Lilac 5'X5'
 GPL Common Purple Lilac 15'X8'
 CSU Staghorn Cutleaf Sumac 8'X6'
 VK5 Koreanspice Viburnum 6' X 6'
 VMB Blue Muffin Viburnum 6'X6'
 DAG Dwarf American Cranberry 6'X4'
 KNP Knockout Pink Rose 3'X3'
 KNR Knockout Red Rose 3'X3'
 CPM Conifer Magna 24'-36'X24'
 GAL Gallardia Burgundy 14'-24'X12'-24'
 ELA English Lavender 12'-18'X12'-18'
 RGD Goldstrum Rudbeckia 30'X24'
 SMN Salvia May Night 18'X18'

Perennials To Be Included In MIX Mixed Annuals/Perennials Areas:
 YAM Yarrow Moonshine/Pink/Yellow 20'X21'
 HSY Hyssop Sunset 24'-36'X18'-30'
 REV Red Valerian 24'X24'
 COM Compeopsis Moonbeam 18'-24'X12'-18'

Ornamental Grasses:
 FRG Feather Reed Grass 5'-6'X24'
 AVG Blue Avena Grass 2'X2'
 PMG Maiden Grass, Purple/Flame 3'-4'X18'-24'
 RSG Red Switch Grass 3'-4'X24'-30'
 LBG Little Bluestem 3'-4'X2'

Other:
 Precast Concrete Planters 36'X36' 60'X60'
 Trigrated Turf (Revelle - Texas Hybrids mx)
 Water Features, Fountains + Falls
 MIX Mixed Annuals/Perennials

Scale: 1" = 20'

North

QUICK KEY

PROPOSED RELATIVE SPOT GRADE

LANDSCAPED/RETAINING WALL

- WHEEL CHAIR ROUTE
- 12" HIGH AREA LIGHT
- 16" HIGH SPOT LIGHT
- 36" HIGH WALK LIGHT



Boondocks
Fun Center

LEGAL DESCRIPTION:
 LOT 4A, CROWN POINT FILING #1
 LOCATED IN A PORTION OF THE SW 1/4 OF SECTION 3,
 T6S, R66W, 6TH P.M., COUNTY OF DOUGLAS, STATE OF COLORADO

Prepared By:

Kirby Smith & Associates, Inc.
 Land Planning/Design/Landscape Architecture
 6001 So. Hudson Ct., Centennial, CO 80121
 (303) 694-8484 FAX (303) 694-9272
Job # 408

CALL UTILITY NOTIFICATION CENTER OF COLORADO
811
 CALL 2 BUSINESS DAYS IN ADVANCE BEFORE YOU DIG, GRADE, OR EXCAVATE FOR THE MARKING OF UNDERGROUND MEMBER UTILITIES.

REVISIONS	
DESCRIPTION	DATE

OWNER

SELECT DEVELOPMENT & CONTRACTING, LLC
 660 EAST FRANKLIN ROAD, MERIDIAN, ID 83642

PROJECT

Boondocks
Fun Center
CROWN POINT DEVELOPMENT PARKER, CO

COPYRIGHT 2015

Peter H. Rockwell, Architect
 Architecture • Planning
 595 S Americana Boulevard Boise, Idaho 83702
 (208) 345-0566 (208) 345-1718 Fax (208) 387-0889
 office@pgrboise.com

KIRBY J. SMITH
 ARCHITECT
 Original Date of License
 12/15/2009
 12/15/2011
 12/15/2013

CONSTRUCTION DRAWINGS LANDSCAPE PLAN (NORTH)

SHEET DATA

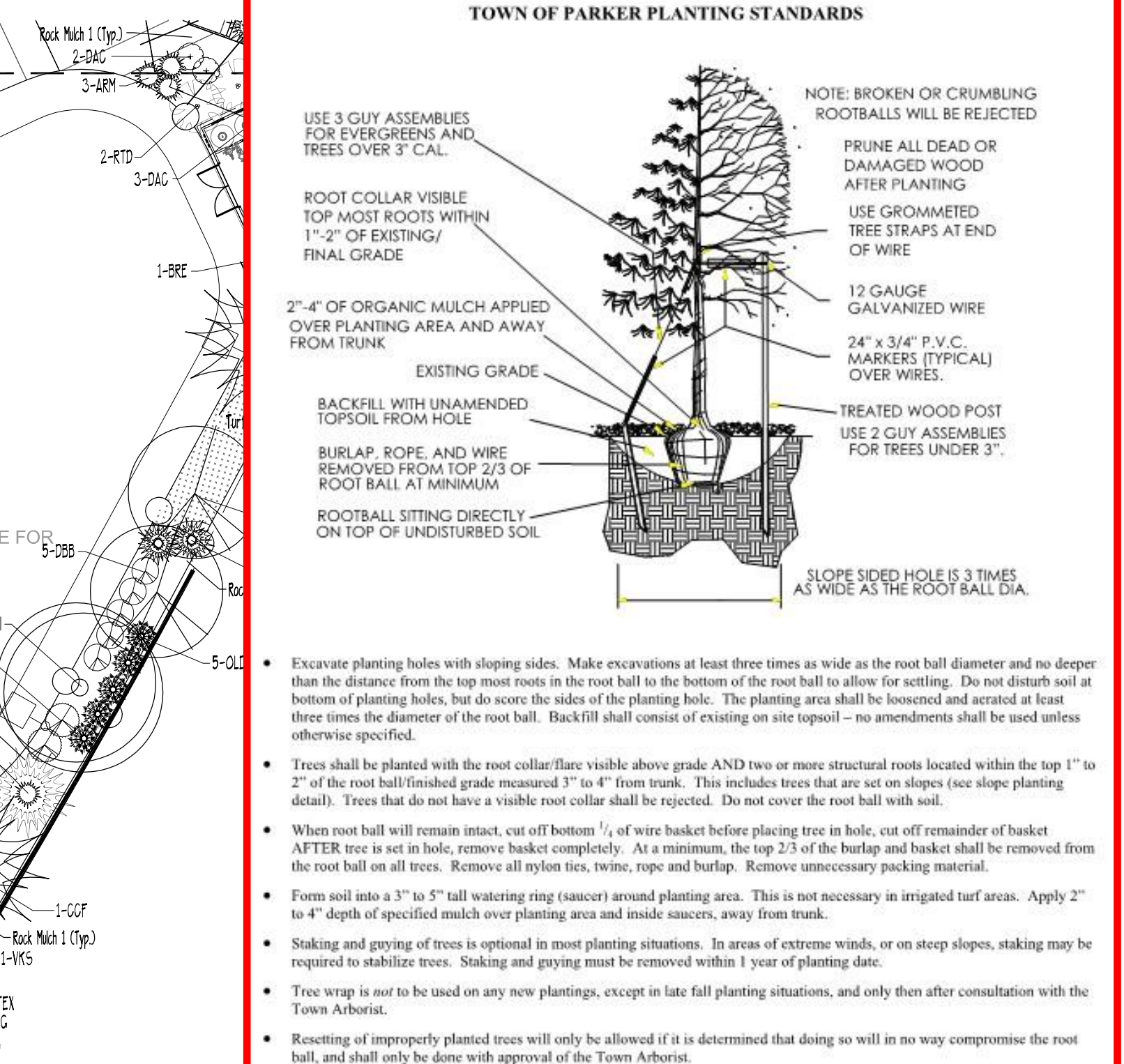
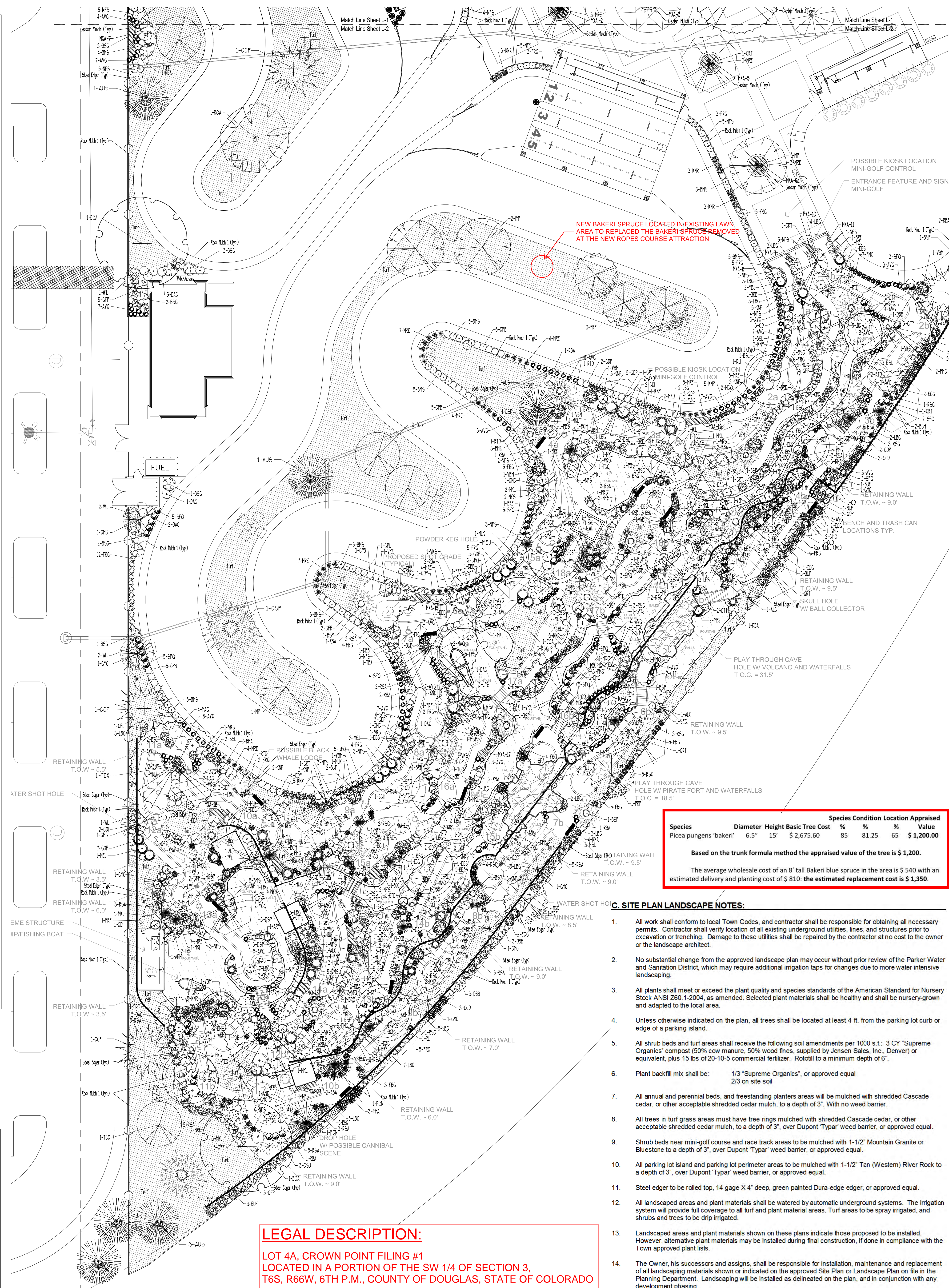
DRAWN BY: KJS
 CHECKED BY: KJS
 SCALE: 1" = 20'
 DATE: 5/29/15
 PROJECT: 14001

SHEET NUMBER

L-3

PLANT LEGEND

CCF G-8 White Fir 50'X20'-25'
CSP G Colorado Spruce 60'X35'
BSP B Bakeri Spruce 30'X10'
PN G Pinon Pine 25' X 15'
AUS G Austrian Pine 50'X20'
PN G Ponderosa Pine 40'X25'
MEU 5-7 Gal. Medora Juniper 10'X5'
SPA 5-7 Gal. Spartan Juniper 15'X5'
WBL 10 Gal. Wichita Blue Juniper 20'X5'
CSM Crimson Sentry Maple 25'X15'
MP Imperial Locust 35'X25'
SHA Shademaster Honeylocust 50'X35'
BOA 2.5' Gal. Burr Oak 70' X 50'
TEX Texas Red Oak 50' X 40'
ROA Northern Red Oak 50'X30'
EOA English Oak 50'X40'
RU Redmond Linden 40'X25'
GMC Amur Maple G Clump #15 20'X15'
ALG Thineaf Alder 20'X10'
GRT Goldenrain Tree 30'X25'
PRF Prairiefire Crab 20'X20'
TGG Thunderchild Crab 20'X20'
B5L Scotch Lena Broom 3'X4'
B5G Spanish Gold Broom 4'X6'
EGG Euyonium Emerald Gaety 3'X5'
AND Andora Juniper 18'X6'
ARM Armstrong Juniper 4'X4'
BCH Blue Chip Juniper 10'X6'
BUF Buffalo Juniper 12'X6'
HUG Hughes Juniper 18'X6'
OLD Old Gold Juniper 3'X4'
RBA Red Barberry 4'X5'
CB Crimson Pygmy Barberry 2'X3'
BEE Butterfly Bush 5'X5'
BMS Blue Mist Spirea 3'X3'
RTD Redtwig Dogwood 8' X 8'
CTT Tom Thumb Cotoneaster 1'X3'
CDI Cotoneaster, Shrub 6'X4'
CHO Rock Cotoneaster 2'X3.5'
DBB Dwarf Burning Bush 5'X4'
RSA Russian Sage 4'X3'
GFP Goldfinger Potentilla 3'X3'
GPB Gold Drop Potentilla 3' X 3'
PBS Pawnee Buttes Sand Cherry 1.5'X6'
YAM Yarrow Moonshine/Pink/Yellow 20'X21'
HSU Hyssop Sunset 24"-36'X18"-30"
REV Red Valerian 24'X24'
COM Copeopsis Moonbeam 18"-24'X12"-18"
CPM Coneflower Magna 24"-36'X24"
GAL Gallardia Burgundy 14"-24'X12"-24"
ELA English Lavender 12"-18'X12"-18"
RGD Goldstrum Rudbeckia 30'X24"
SMN Salvia May Night 18'X18"
FRG Feather Reed Grass 5'-6'X24"
AVG Blue Avena Grass 2'X2'
PMG Maiden Grass, Purple/Flame 3'-4'X18"-24"
RSB Red Switch Grass 3'-4'X24"-30"
LBG Little Bluestem 3'-4'X2'
Precast Concrete Planters
Frigated Turf ('Reville' - Texas Hybrids mix)
Water Features, Fountains + Falls
MIX Mixed Annuals/Perennials



PLANT & MATERIALS SCHEDULE

QTY.	ITEM	COMMON NAME	SCIENTIFIC NAME	SIZE	Comments
4	IMP	Imperial Honeylocust	Gleditsia trancanobis 'Imperial'	2" Cal.	B&B
22	SHA	Shademaster Honeylocust	Gleditsia trancanobis 'Shademaster'	2" Cal.	B&B
8	RLI	Redmond Linden	Tilia americana 'Redmond'	2" Cal.	B&B
4	CSM	Crimson Sentry Maple	Acer platanoides 'Crimson Sentry'	2" Cal.	B&B
4	BOA	Burr Oak	Quercus macrocarpa	2" Cal.	B&B
4	EOA	English Oak	Quercus robur	2" Cal.	B&B
3	ROA	Northern Red Oak	Quercus rubra	2" Cal.	B&B
28	TEX	Texas Red Oak	Quercus buckleyi	2" Cal.	B&B
5	CCF	Concolor Fir/White Fir	Abies concolor	6" Ht.	B&B
5	AUS	Austrian Pine	Pinus nigra	6" Ht.	B&B
7	PIN	Pinion Pine	Pinus edulis	6" Ht.	B&B
8	PON	Ponderosa Pine	Pinus ponderosa	6" Ht.	B&B
21	BSP	Bakeri Spruce	Picea pungens 'Bakeri'	6" Ht.	B&B
2	CSP	Colorado Blue Spruce	Picea pungens	6" Ht.	B&B
15	MEJ	Medora Juniper	Juniperus scopulorum 'Medora'	7 Gal.	4 Min. Ht.
5	SPA	Spartan Juniper	Juniperus chinensis 'Spartan'	7 Gal.	4 Min. Ht.
7	WBL	Wichita Blue Juniper	Juniperus scopulorum 'Wichita Blue'	7 Gal.	4 Min. Ht.
14	PRF	Prairiefire Crab	Malus ssp. 'Prairiefire'	1.75" Cal.	B&B
6	ALC	Thinleaf Alder	Alnus tenuifolia	1.5 Gal.	6 Clump/stacked
11	TCC	Thunderchild Crab	Malus x 'Thunderchild'	1.75" Cal.	B&B
12	GRT	Goldenrain Tree	Koeleria paniculata	1.75" Cal.	B&B
18	GMG	Ginnala Maple	Acer ginnala	6-8' Clump	B&B
84	CPB	Crimson Pygmy Barberry	Berberis thunbergii 'Autropurpurea Nana'	5 Gal.	15' Min. Ht.
15	RBA	Red Barberry	Berberis thunbergii 'Autropurpurea'	5 Gal.	18' Min. Ht.
106	DBE	Dwarf Burning Bush	Euonymus alatus 'Compacta'	5 Gal.	18' multi-staked
25	BDI	Butterfly Bush	Buddleia davidii	5 Gal.	24' multi-staked
39	DAC	Dwarf American Cranberry	Viburnum trilobum 'Compactum'	5 Gal.	18' multi-staked
13	RTD	Red Twig Dogwood	Cornus sericea 'Bailey'	5 Gal.	24-30' multi-staked
3	CPL	Common Purple Lilac	Syringa vulgaris	5 Gal.	18-24' multi-staked
39	MKL	Miss Kim Lilac	Syringa patula 'Miss Kim'	5 Gal.	18-24' multi-staked
63	GDP	Gold Drop Potentilla	Potentilla fruticosa 'Gold Drop'	5 Gal.	18-24' multi-staked
73	GFP	Goldfinger Potentilla	Potentilla fruticosa 'Goldfinger'	5 Gal.	24' multi-staked
75	RSA	Russian Sage	Perovskia atriplicifolia	5 Gal.	24' multi-staked
6	PBS	Pawnee Buttes Sand Cherry	Prunus besseyi 'Pawnee Buttes'	5 Gal.	18' multi-staked
66	BMS	Blue Mist Spirea	Caroyopteris clandestina	5 Gal.	18-24' multi-staked
9	DSF	Daphne Spirea	Spirea japonica var. alpina	5 Gal.	18' multi-staked
97	SFC	Fairy Queen Spirea	Spirea trilobata 'Fairy Queen'	5 Gal.	24' multi-staked
111	NFS	Neon Flash Spirea	Spirea japonica 'Neon Flash'	5 Gal.	24' multi-staked
28	LPS	Little Princess Spirea	Spirea japonica 'Little Princess'	5 Gal.	18' multi-staked
19	VBM	Blue Muffin Viburnum	Viburnum dentatum 'Christom'	5 Gal.	24-30' multi-staked
23	VKS	Koreanspice Viburnum	Viburnum carlesii	5 Gal.	24-30' multi-staked
10	CSU	Staghorn Cutleaf Sumac	Rhus typhina 'Lanciniata'	5 Gal.	24' multi-staked
61	KNP	Knockout Pink Rose	Rosa 'RADCON'	2 to 5 Gal.	24' multi-staked
55	KNR	Knockout Red Rose	Rosa 'RADREZ'	2 to 5 Gal.	24' multi-staked
25	B5L	Boom, Scotch Lena	Cyclus dalmorei 'Lena'	5 Gal.	20-24' Min. Ht.
57	B5G	Boom, Spanish Gold	Cyclus purgan 'Spanish Gold'	5 Gal.	20-24' Min. Ht.
11	CTT	Tom Thumb Cotoneaster	Cotoneaster apollinis 'Tom Thumb'	5 Gal.	18' Min. Spread
27	COI	Shrub Cotoneaster	Cotoneaster horizontalis	5 Gal.	18' Min. Spread
4	CHO	Rock Cotoneaster	Cotoneaster horizontalis	5 Gal.	18' Min. Spread
16	ECG	Canada Gold Euonymus	Euonymus fortunei 'Canada Gold'	5 Gal.	18' Min. Spread
32	MAQ	Mahonia/Oregon Grape	Mahonia aquifolium 'Kings Ramsom'	5 Gal.	20' Min. Ht.
17	MCO	Compact Mahonia/Oregon Grape	Mahonia aquifolium 'Compacta'	5 Gal.	20' Min. Ht.
65	MRE	Creeping Oregon Grape	Mahonia repens	1 Gal.	12' Min. Ht.
9	AND	Andora Juniper	Juniperus horizontalis 'Youngstown'	5 Gal.	18' Min. Spread
16	ARM	Armstrong Juniper	Juniperus chinensis 'Armstrongii'	5 Gal.	18' Min. Spread
13	BCH	Blue Chip Juniper	Juniperus horizontalis 'Blue Chip'	5 Gal.	18' Min. Spread
45	BUF	Buffalo Juniper	Juniperus sabina 'Buffalo'	5 Gal.	18' Min. Spread
52	HUG	Hughes Juniper	Juniperus horizontalis 'Hughes'	5 Gal.	18' Min. Spread
3	SEA	Sea Green Juniper	Juniperus x media 'Sea Green'	5 Gal.	18' Min. Spread
19	OLD	Old Gold/Gold Coast Juniper	Juniperus x media 'Old Gold'	5 Gal.	18' Min. Spread
10	VAL	Wilson's Blue Rug Juniper	Juniperus horizontalis 'Wilsonii'	5 Gal.	18' Min. Spread
20	MMO	Mugo Pine, Mops	Pinus mugo 'Mops'	3 Gal.	24' Min. Ht.
7	MSL	Mugo Pine, Slowmound	Pinus mugo 'Slowmound'	3 Gal.	12' Min. Ht.
9	GSP	Globe Blue Spruce	Picea pungens 'Globosa'	3 Gal.	18' Min. Ht.
192	AVG	Blue Avena 'Oat Grass	Helictotrichon sempervirens	1 Gal.	12' Min. Spread
217	FRG	Feather Reed Grass	Calamagrostis acutiflora 'Karl Foerster'	1 Gal.	24-30' oc.
118	LBG	Little Bluestem	Schizachyrium scopulorum 'Blues'	1 Gal.	Min. 24" oc.
125	PMG	Maiden Grass, Purple/Flame	Miscanthus sinensis 'Purpureascens'	1 Gal.	18-24" oc.
87	RCG	Red Switch Grass	Panicum virgatum 'Shenandoah'	1 Gal.	24-30" oc.
3	COM	Coreopsis, Moonbeam	Coreopsis verticillata 'Moonbeam'	1 Gal.	12-18" oc.
8	CPM	Coneflower, 'Magna'	Echinacea purpurea	1 Gal.	18-24" oc.
3	GAI	Gaillardia, Burgundy Blanket Flower	Gaillardia aristata	1 Gal.	18-24" oc.
2	HSU	Hyssop, Sunset	Agastache rupestris	1 Gal.	24" oc.
5	ELA	English Lavender	Lavandula angustifolia 'Munstead'	1 Gal.	18" oc.
3	REV	Red Valerian/Jupiter's Beard	Centranthus ruber	1 Gal.	18" oc.
8	RGD	Rudbeckia, Blackeyed Susan	Rudbeckia fulgida 'Goldstrum'	1 Gal.	18" oc.
12	SMN	Salvia, May Night	Salvia sylvestris x 'Mianacht'	1 Gal.	18" oc.
6	YAM	Moonshine Yarrow	Achillea Moonshine	1 Gal.	18-24" oc.
750	MIXA	Mixed Annuals & Winter Pansies		2" - 6" pots	10' oc.

Species Condition Location Appraisal

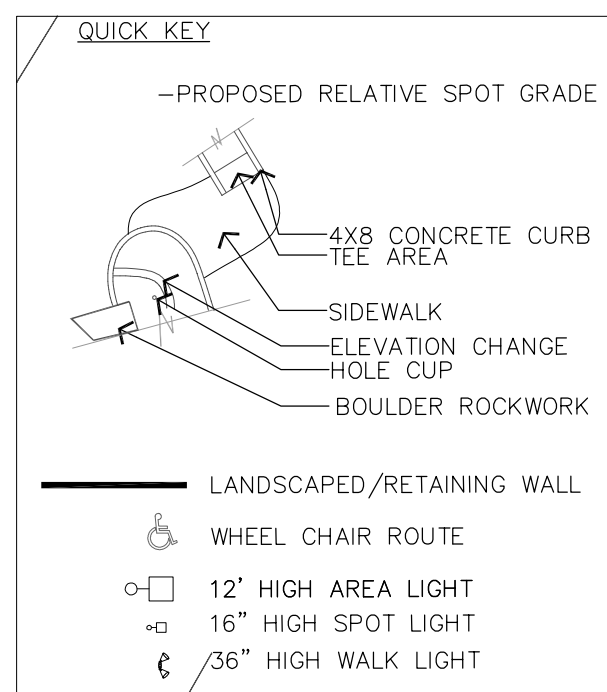
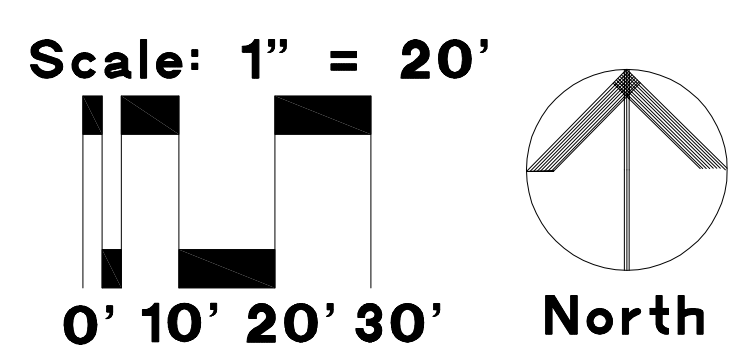
Species	Diameter	Height	Basic Tree Cost	%	%	Value	
Picea pungens 'bakeri'	6.5"	15'	\$2,675.60	85	81.25	65	\$1,200.00

Based on the trunk formula method the appraised value of the tree is \$1,200.

The average wholesale cost of an 8' tall Bakeri blue spruce in the area is \$540 with an estimated delivery and planting cost of \$810; the estimated replacement cost is \$1,350.

- ### C. SITE PLAN LANDSCAPE NOTES:
- All work shall conform to local Town Codes, and contractor shall be responsible for obtaining all necessary permits. Contractor shall verify location of all existing underground utilities, lines, and structures prior to excavation or trenching. Damage to these utilities shall be repaired by the contractor at no cost to the owner or the landscape architect.
 - No substantial change from the approved landscape plan may occur without prior review of the Parker Water and Sanitation District, which may require additional irrigation taps for changes due to more water intensive landscaping.
 - All plants shall meet or exceed the plant quality and species standards of the American Standard for Nursery Stock ANSI Z60.1-2004, as amended. Selected plant materials shall be healthy and shall be nursery-grown and adapted to the local area.
 - Unless otherwise indicated on the plan, all trees shall be located at least 4 ft. from the parking lot curb or edge of a parking island.
 - All shrub beds and turf areas shall receive the following soil amendments per 1000 s.f.: 3 CY "Supreme Organics" compost (50% cow manure, 50% wood fines, supplied by Jensen Sales, Inc., Denver) or equivalent, plus 15 lbs of 20-10-5 commercial fertilizer. Rototill to a minimum depth of 6".
 - Plant backfill mix shall be: 1/3 "Supreme Organics", or approved equal 2/3 on site soil
 - All annual and perennial beds, and freestanding planters areas will be mulched with shredded Cascade cedar, or other acceptable shredded cedar mulch, to a depth of 3". With no weed barrier.
 - All trees in turf grass areas must have tree rings mulched with shredded Cascade cedar, or other acceptable shredded cedar mulch, to a depth of 3", over Dupont 'Typar' weed barrier, or approved equal.
 - Shrub beds near mini-golf course and race track areas to be mulched with 1-1/2" Mountain Granite or Bluestone to a depth of 3", over Dupont 'Typar' weed barrier, or approved equal.
 - All parking lot island and parking lot perimeter areas to be mulched with 1-1/2" Tan (Western) River Rock to a depth of 3", over Dupont 'Typar' weed barrier, or approved equal.
 - Steel edger to be rolled top, 14 gage X 4" deep, green painted Dura-edge edger, or approved equal.
 - All landscaped areas and plant materials shall be watered by automatic underground systems. The irrigation system will provide full coverage to all turf and plant material areas. Turf areas to be spray irrigated, and shrubs and trees to be drip irrigated.
 - Landscaped areas and plant materials shown on these plans indicate those proposed to be installed. However, alternative plant materials may be installed during final construction, if done in compliance with the Town approved plant lists.
 - The Owner, his successors and assigns, shall be responsible for installation, maintenance and replacement of all landscaping materials shown or indicated on the approved Site Plan or Landscape Plan on file in the Planning Department. Landscaping will be installed as delineated on the plan, and in conjunction with any development phasing.

LEGAL DESCRIPTION:
 LOT 4A, CROWN POINT FILING #1
 LOCATED IN A PORTION OF THE SW 1/4 OF SECTION 3,
 T6S, R66W, 6TH P.M., COUNTY OF DOUGLAS, STATE OF COLORADO



REVISIONS	DESCRIPTION	DATE

OWNER: SHECT DEVELOPMENT & CONTRACTING, LLC
 660 EAST FRANKLIN ROAD, MERIDIAN, ID 83642

PROJECT: CROWN POINT DEVELOPMENT
 PARKER, CO

COPYRIGHT 2015

Peter H. Rockwell, Architect
 Architecture + Planning
 595 S Americana Boulevard Boise, Idaho 83702
 (208) 345-0566 Fax (208) 387-0889
 office@prboise.com

CONSTRUCTION DRAWINGS LANDSCAPE PLAN (SOUTH)

SHEET DATA
 DRAWN BY: KJS
 CHECKED BY: KJS
 SCALE: 1" = 20'
 DATE: 5/29/15
 PROJECT: 14001

SHEET NUMBER: L-4

811 CALL 2 BUSINESS DAYS IN ADVANCE BEFORE YOU DIG, GRADE, OR EXCAVATE FOR THE MARKING OF UNDERGROUND MEMBER UTILITIES.



NEW TREE LOCATION

WTE 06.01.2022

TREE PROTECTION:

1. NO TREES SHALL BE DAMAGED, HARMED, OR COMPROMISED ON THE PROJECT OR ADJACENT SITES
- 1.1. PROTECT ALL EXPOSED PARTS OF THE TREE AND ALSO THE SOIL-CRITICAL ROOT ZONE (CRZ) FROM ACTIVITIES THAT MAY BE NEGATIVELY IMPACTFUL TO THE TREE (I.E. COMPACTION, CONTAMINATION, ETC)
- 1.2. CRITICAL ROOT ZONE (CRZ): APPROXIMATE AREA DIRECTLY BELOW THE DRIPLINE-CANOPY OF ANY TREE
- 1.3. PRESERVATION CRITERIA: NO MORE THAN 25% OF THE AREA WITHIN THE CRZ SHALL BE IMPACTED, 75% PRESERVATION SHALL BE CONSIDERED PRESERVED
2. PROTECTION PROCEDURES PRIOR TO CONSTRUCTION
- 2.1. FLAG ALL TREES WITH BRIGHT FLORESCENT ORANGE TAPE AT 4' HEIGHT OR MORE TO ENSURE PROPER VISIBILITY
- 2.2. INSTALL PROTECTIVE FENCING WHERE TREE IS CLOSE TO CONSTRUCTION ACTIVITIES WILL INFRINGE UPON THE ROOT ZONE, IMPLEMENT THE FENCE AROUND THE CRZ
- 2.3. IN THE POSSIBILITY OF INCIDENTAL CONTACT WITH EQUIPMENT, PROTECT THE TREE BARK; ENCIRCLE THE TREE TRUNK WITH 2"x4" LUMBER, SECURED WITH WIRE OR OTHER MEANS THAT DO NOT DAMAGE THE TREE
3. PROHIBITED ACTIVITIES
- 3.1. SOIL COMPACTION
- 3.1.1. DO NOT STORE MATERIALS OR WASTE UNDER THE TREE CANOPY, DO NOT ALLOW FOOT-EQUIPMENT-VEHICLE TRAFFIC WITHIN THE CRZ
- 3.2. CONTAMINATION
- 3.2.1. CLEANING OF EQUIPMENT AND ADJACENT SURFACES WITHIN-ONTO LIMITS OF THE CRZ
- 3.2.2. THIS INCLUDES, WITHOUT LIMITATION TO: PAINT, OIL, SOLVENTS, ASPHALT, CONCRETE, MORTAR OR SIMILAR PRODUCTS
- 3.3. OBJECTS ATTACHED TO TREES
- 3.3.1. NO SIGNS, WIRES OR ANY PHYSICAL ENTITY OTHER THAN THAT OF PROTECTIVE NATURE SHALL BE SECURED TO TREES
- 3.4. GRADE CHANGES
- 3.4.1. NO GRADE CHANGES IN EXCESS OF 2" (GUT-FILL) SHALL BE ALLOWED WITHIN THE CRZ LIMITS, UNLESS ADEQUATE MEASURE APPROVED BY THE BUILDING OFFICIAL HAVE BEEN IMPLEMENTED
- 3.5. IMPERVIOUS PAVING
- 3.5.1. CONCRETE, ASPHALT OR OTHER IMPERVIOUS PAVING MATERIALS SHALL BE INTEGRATED IN A MANNER WHICH MAY REASONABLE KILL THE TREE

LANDSCAPE NOTES:

THE LOCATION OF THIS NEW ROPES COURSE ATTRACTION DOES NOT AFFECT THE MAJORITY OF THE LANDSCAPING. PLACEMENT OF ROPES COURSE ONLY AFFECTS A SINGLE TREE IN THE CENTER PATIO PLANTER, NEXT SHEET PROVIDES FURTHER NOTATION. SEE DETAILS ON THIS SHEET FOR TREE CONSERVATION INFORMATION.

LEGAL DESCRIPTION:

LOT 4A, CROWN POINT FILING #1
 LOCATED IN A PORTION OF THE SW 1/4 OF SECTION 3,
 T6S, R66W, 6TH P.M., COUNTY OF DOUGLAS, STATE OF COLORADO

Notes:
 Additional design work may be required
 Final course design subject to change per engineering
 Product pictured may contain custom components
 Colors shown may vary from delivered product. Physical samples available upon request
 Field verify all dimensions, heights and clearances prior to engineering

R6.01_Boondocks Food and Fun - Parker.skp January 06, 2022
 This drawing contains a confidential proprietary design that cannot be reproduced or divulged, in whole or in part, without written authorization from RCI Adventure Products. All design, manufacturing, reproduction, use, sale, or other rights regarding this design are expressly reserved. The information in this drawing may contain patents pending.

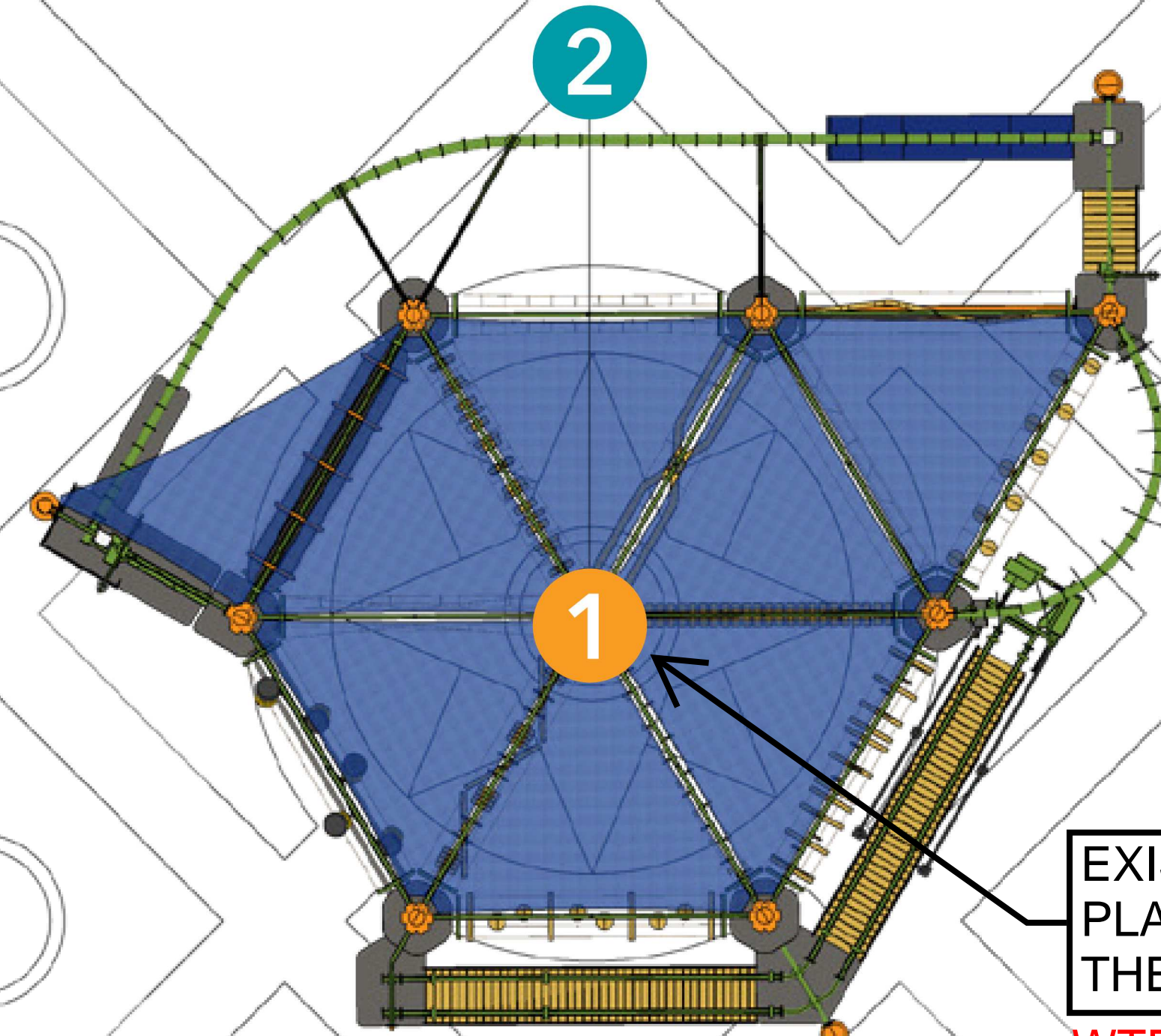


LEGEND

- 1 Sky Trail®
- 2 Sky Rail®

SITE PLAN NOTES:

1. MULTI-POST ROPES COURSE ATTRACTION DESIGN, ENGINEERED, and INSTALLED BY MANUFACTURER TO BE LOCATED ON EXISTING IN PATIO AREA.
2. INSTALLATION OF UNIT WILL NOT DISTURB EXISTING GRADE ELEVATIONS, UNDERGROUND UTILITIES, and/or LIGHTING.
3. NEW ROPES COURSE IS A FREESTANDING STRUCTURE and DOES NOT AFFECT THE EXISTING BUILDING ELEVATIONS.
4. CENTER COLUMN FOR ROPES COURSE STRUCTURE IS LOCATED IN THE CENTER OF AN EXISTING PLANTER ISLAND. THAT EXISTING BAKERI SPRUCE WILL BE RELOCATED and/or REPLACED WITH NEW LOCATION IN THE LANDSCAPE AREA OF THE GO-KART TRACK. REFER TO OVERALL SITE PLAN FOR THAT LOCATION.
5. IN ADDITION TO THE RELOCATED BAKERI SPRUCE AN ADDITIONAL BAKERI SPRUCE OF SIMILAR SIZE AND CALIPER WILL BE ADDED TO THAT GO-KART LANDSCAPE AREA.



EXISTING BAKERI SPRUCE LOCATED IN CENTER PLANTER TO BE ~~RELOCATED~~ and/or REPLACED TO THE LANDSCAPE AREA OF THE GO-KART TRACK

WTE 06.01.2022

LEGAL DESCRIPTION:
LOT 4A, CROWN POINT FILING #1
LOCATED IN A PORTION OF THE SW 1/4 OF SECTION 3,
T6S, R66W, 6TH P.M., COUNTY OF DOUGLAS, STATE OF COLORADO

Site Plan

03

Notes:
Additional design work may be required
Final course design subject to change per engineering
Product pictured may contain custom components
Colors shown may vary from delivered product. Physical samples available upon request
Field verify all dimensions, heights and clearances prior to engineering

R6.01_Boondocks Food and Fun - Parker.skp
January 06, 2022
This drawing contains a confidential proprietary design that cannot be reproduced or divulged, in whole or in part, without written authorization from RCI Adventure Products. All design, manufacturing, reproduction, use, sale, or other rights regarding this design are expressly reserved. The information in this drawing may contain patents pending.





LEGAL DESCRIPTION:
 LOT 4A, CROWN POINT FILING #1
 LOCATED IN A PORTION OF THE SW 1/4 OF SECTION 3,
 T6S, R66W, 6TH P.M., COUNTY OF DOUGLAS, STATE OF COLORADO

DIMENSIONS							
8 Pole 2 Level Sky Trail® Discovery with (1) 60° Sky Rail®							
# of Elements	Capacity	Imperial (ft/in)			Metric (m)		
		Length	Width	Area	Length	Width	Area
28	40	67' 8"	57' 5"	3886 ft ²	20.63m	17.51m	361m ²
Distance Between Columns		20' 0"			6.10m		
Total Sky Rail® Length		67' 5"			20.55m		
Clearance Under Course		9' 0"			2.74m		
Platform Heights		12' 0" / 24' 0"			3.66m / 7.32m		
Top of Steel Height		38' 0"			11.59m		
Features		Sky Rail® Popular Elements: - Rolling Log - Roller Rail					

Customizations:

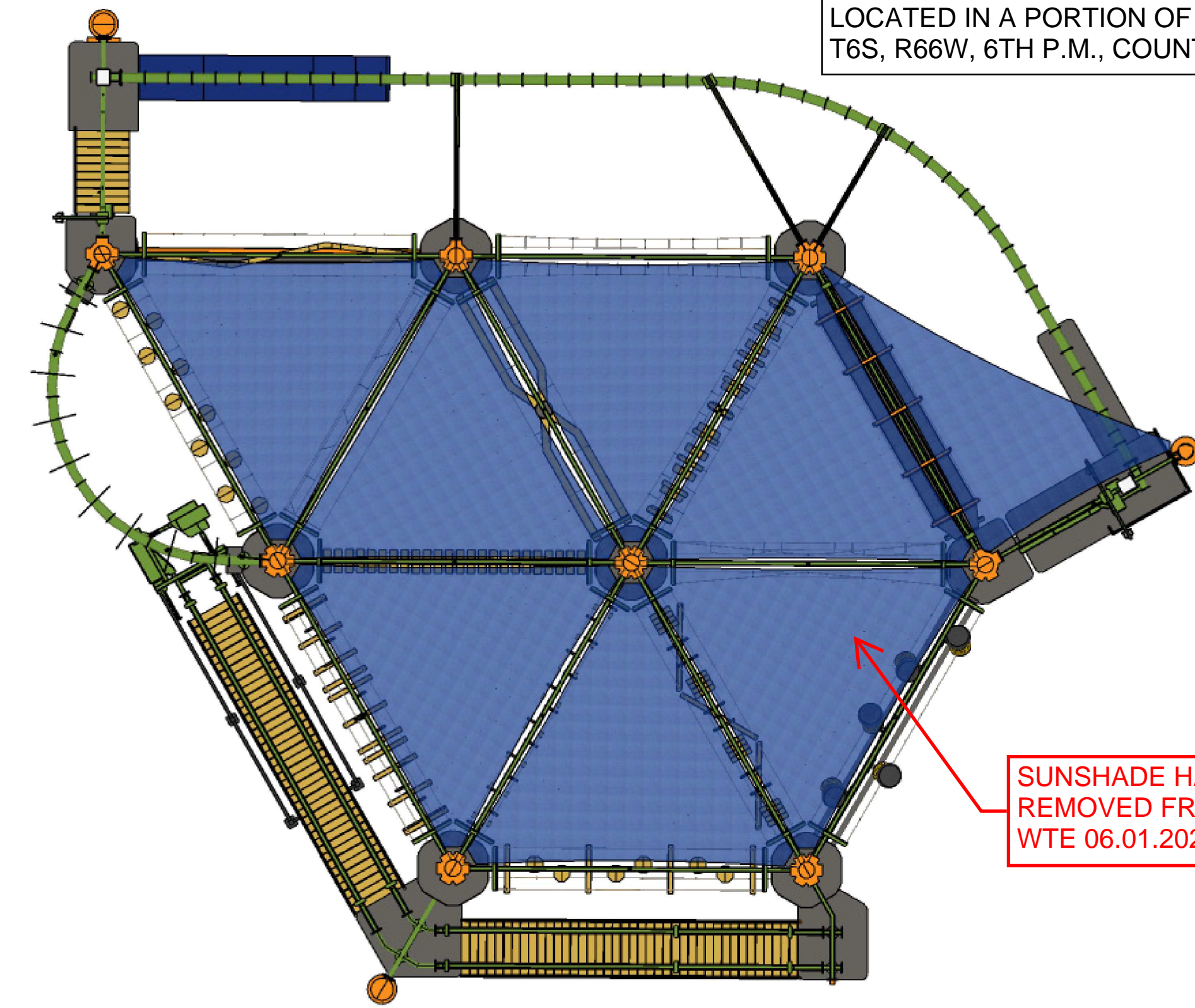
- Column hand holes - See column details
- Sun shade over takeoff platform

COLORS APPROVED

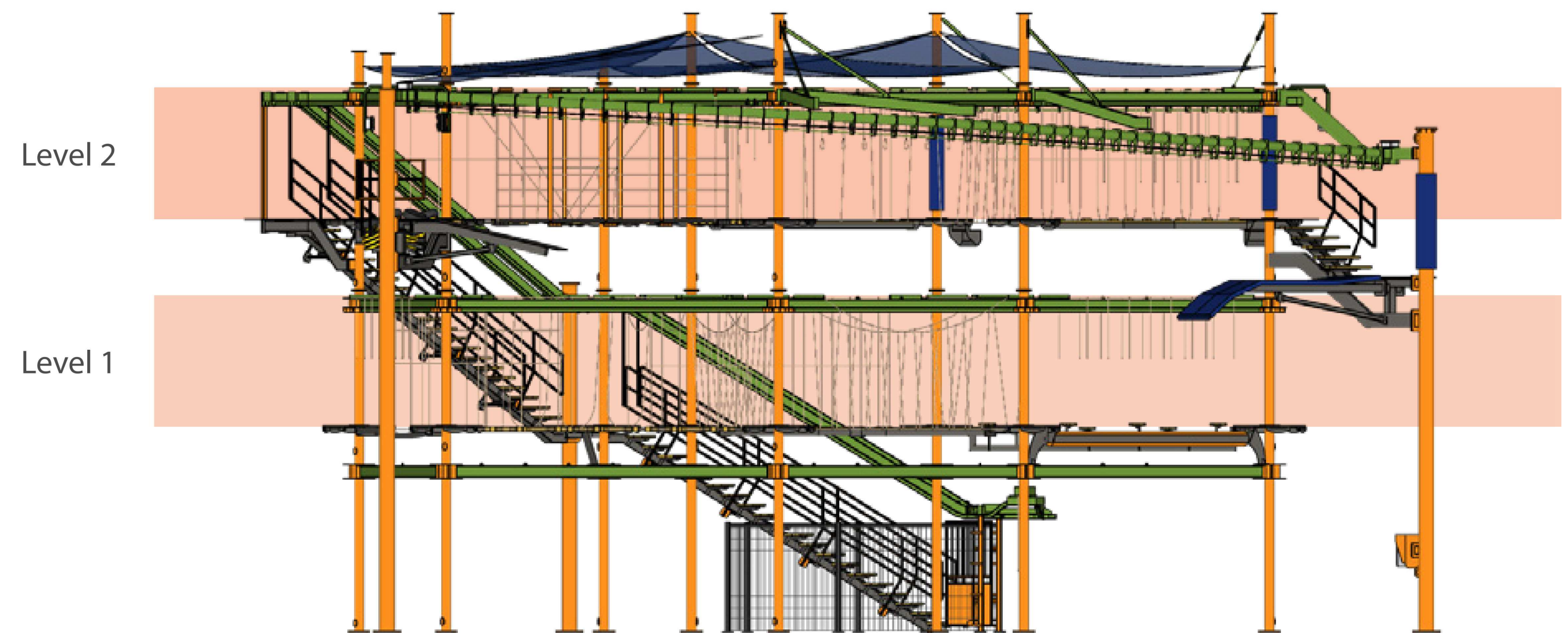
Platforms: Iron Horse	Horizontals: Green Gone Wild	Verticals: Mandarin	Plumber: Cedar	Slingline: Brown	Pad: Royal Blue	Sun Shades: Aquatic Blue
			Rope: Tan			

FINAL COLOR SCHEME

Notes:
 Additional design work may be required
 Final course design subject to change per engineering
 Product pictured may contain custom components
 Colors shown may vary from delivered product. Physical samples available upon request
 Field verify all dimensions, heights and clearances prior to engineering



PLAN



ELEVATION

R5.01_Boondocks Food and Fun - Parker.skp

October 26, 2021

This drawing contains a confidential proprietary design that cannot be reproduced or divulged, in whole or in part, without written authorization from RCI Adventure Products. All design, manufacturing, reproduction, use, sale, or other rights regarding this design are expressly reserved. The information in this drawing may contain patents pending.



DESIGN CODES
 THE STRUCTURE IS DESIGNED ACCORDING TO THE LATEST EDITION OF THE 2018 IBC, RCSC SPECIFICATION FOR STRUCTURAL JOINTS, AND ASTM F2959-12 STANDARD PRACTICE FOR AERIAL ADVENTURE COURSES.
 THE STRUCTURAL STEEL IS DESIGNED TO THE LATEST EDITION OF THE AISC 360-16 SPECIFICATION FOR STRUCTURAL STEEL BUILDINGS.
 THE STRUCTURAL WELDING IS DESIGNED AND PERFORMED ACCORDING TO THE LATEST EDITION OF AWS D1.1 STRUCTURAL STEEL.
 ALL LOADS ARE CALCULATED BASED ON THE ASCE7-16 MINIMUM DESIGN LOADS FOR BUILDINGS AND OTHER STRUCTURES.

OCCUPANCY CLASSIFICATION = A-3
 COURSE MAX OCCUPANCY = 40

CONSTRUCTION TYPE = IIB

DESIGN LOADS

DEADLOAD
 STRUCTURAL STEEL = FRAME WEIGHT
 LIVE LOAD
 PLATFORMS = 100 PSF or (4,788 KN/m²)
 STAIRS AND EXITS = 100 PSF or (4,788 KN/m²)
 ROLLER RAIL = 2000 LB or (8.90 KN)
 PLATFORM EDGE ELEMENT LOAD = 200 LB (0.89 KN) VERTICAL/2000 LB (8.90 KN) HORIZONTAL WIND LOAD
 115 MPH (PARKER MUNICIPAL CODE)

SEISMIC LOAD
 AMUSEMENT STRUCTURES AND MONUMENTS
 R = 2
 I = 1
 S_s = 0.2
 F_a = 1.6
 SITE CLASS = D
 DESIGN CATEGORY = A

STRUCTURAL STEEL
 ALL STRUCTURAL STEEL SHALL BE DETAILED, FABRICATED AND ERECTED IN ACCORDANCE WITH THE LATEST EDITION OF THE AMERICAN INSTITUTE OF STEEL CONSTRUCTION (AISC) "SPECIFICATIONS FOR THE DESIGN FABRICATION AND ERECTION OF STRUCTURAL STEEL FOR BUILDINGS"

STRUCTURAL STEEL TO CONFORM TO:
 TUBE STEEL (HSS HOLLOW STRUCTURAL SECTION) = A-500 GRADE B
 STRUCTURAL STEEL PLATE = A-36
 ANCHOR BOLTS = A-36 OR F-1554 GRADE 36
 PIPE = A53 GRADE B OR A500 GRADE C
 SS ROUND = 304/304L STAINLESS STEEL (F_y = 50 KSI) or (344.737 MPa)
 THESE MATERIAL SPECIFICATIONS SHALL BE USED UNLESS NOTED OTHERWISE.

WELDING
 ALL WELDING TO BE IN ACCORDANCE WITH THE LATEST EDITION OF THE AMERICAN WELDING SOCIETY (AWS) "STRUCTURAL WELDING CODE - STEEL" D1.1 AND AS INDICATED ON THE STRUCTURAL DRAWINGS. WELDING ELECTRODES, WELDING PROCESS, MINIMUM PREHEAT AND INTERPASS TEMPERATURES TO BE IN ACCORDANCE WITH THE AWS SPECIFICATIONS. ELECTRODES TO BE MIN 70KSI MATERIAL.

CONCRETE
 1. ALL CONCRETE SHOULD HAVE STONE AGGREGATE (NORMAL WEIGHT). 28-DAY COMPRESSIVE STRENGTH (f'_c) SHOULD BE 4000PSI or 27.58 MPa MINIMUM FOR CAST-IN-PLACE CONCRETE.
 2. REINFORCING BARS SHOULD BE MILD STEEL WITH A MINIMUM YIELD STRENGTH OF 60 KSI or 413.685 MPa.
 3. REINFORCING BAR PROTECTION:
 A. CONCRETE PLACED AGAINST EARTH - 3" or 7.5 cm
 B. CONCRETE PLACED IN FORMS - 1 1/2" or 3.81 cm
 4. FIELD WELDING OF REINFORCING SHOULD NOT BE PERMITTED.
 5. ALL REINFORCING BAR BENDS SHOULD BE MADE MECHANICALLY HEAT-BENDING SHOULD NOT BE PERMITTED.
 6. NON-SHRINK GROUT = 5000 PSI or 34473.79 KN/m²

FOUNDATIONS
 BASED UPON PRESUMPTIVE LOAD-BEARING VALUES OF SOILS FROM SECTION 1806 OF IBC 2009.
 ALLOWABLE FOUNDATION PRESSURE = 1500 PSF or 71.82 KN/m²
 LATERAL BEARING = 100 PSF/FT or (4,788 KN/m² per 30.48cm) BELOW GRADE
 LATERAL SLIDING = 130 PSF or 6.224 KN/m²

BOLTING
 ALL BOLTS ARE A325 BOLTS WITH HEAVY HEX NUTS. THE BOLTS ARE TO BE INSTALLED UTILIZING THE "SPECIFICATION FOR STRUCTURAL JOINTS USING ASTM A325 OR A490 BOLTS" AS PREPARED BY RESEARCH COUNCIL ON STRUCTURAL CONNECTIONS (RSC) FOR THE AMERICAN INSTITUTE OF STEEL CONSTRUCTION (AISC). THE BOLTS SHALL BE INSTALLED AS PRETENSIONED USING DIRECT TENSION INDICATING WASHERS.

IT IS THE RESPONSIBILITY OF THE INSTALLER TO INSURE PROPER TIGHTNESS.

ALL JOINTS MUST BE *SNUG-TIGHTENED* PRIOR TO *PRETENSIONING*.
 ALL JOINTS MUST BE *SNUG-TIGHT* UNLESS OTHERWISE SPECIFIED.

SNUG-TIGHT PROCEDURE

ALL BOLT HOLES SHALL BE ALIGNED TO PERMIT INSERTION OF THE BOLTS WITHOUT UNDUE DAMAGE TO THE THREADS. BOLTS SHALL BE PLACED IN ALL HOLES WITH WASHERS AND DIRECT-TENSION-INDICATORS (DTI) AS REQUIRED AND NUTS THREADED TO COMPLETE THE ASSEMBLY. THE DTI MUST ALWAYS BE INSTALLED WITH THE PROTRUSIONS POINTING OUTWARD AWAY FROM THE STEEL AND FACING INTO THE BOLT HEAD/UT.

WHEN A DTI IS USED AN ASTM F436 WASHER SHALL BE USED IN ONE OF THE FOLLOWING CONFIGURATIONS:
 1) WHEN THE NUT IS TURNED AND THE DTI IS LOCATED UNDER THE BOLT HEAD, AN ASTM F436 WASHER SHALL BE USED UNDER THE NUT
 2) WHEN THE NUT IS TURNED AND THE DTI IS LOCATED UNDER THE NUT, AN ASTM F436 WASHER SHALL BE USED BETWEEN THE NUT AND THE DTI
 3) WHEN THE BOLT HEAD IS TURNED AND THE DTI IS LOCATED UNDER THE NUT, AN ASTM F436 WASHER SHALL BE USED UNDER THE BOLT HEAD.
 4) WHEN THE BOLT HEAD IS TURNED AND THE DTI IS LOCATED UNDER THE BOLT HEAD, AND ASTM F436 WASHER SHALL BE USED BETWEEN THE BOLT HEAD AND THE DTI.

ANY OF THE PRECEDING CONFIGURATIONS ARE ACCEPTABLE AND CAN BE SELECTED BY THE INSTALLER ON A JOINT-BY-JOINT BASIS. HOWEVER ALL OF THE CONNECTIONS IN THIS PLAN SET ARE DETAILED USING CONFIGURATION #3.

COMPACTING THE JOINT TO A *SNUG-TIGHT* CONDITION SHALL BE ACHIEVED USING THE *SYSTEMATIC TIGHTENING* METHOD. THE *SNUG-TIGHTENED* CONDITION IS THE TIGHTNESS THAT IS ATTAINED WITH A FEW IMPACTS OF AN IMPACT WRENCH OR THE FULL EFFORT OF AN IRONWORKER USING AN ORDINARY SPUD WRENCH TO BRING THE CONNECTED PLIES INTO FIRM CONTACT.

DTI PRETENSIONING PROCEDURE

ALL BOLTS TO BE *PRETENSIONED* SHALL FIRST BE INSTALLED IN ACCORDANCE WITH THE *SNUG-TIGHT* PROCEDURE.
 AN F436 WASHER IS ALWAYS REQUIRED WHEN A DTI IS USED. VISUALLY VERIFY THAT THE *SNUG-TIGHTENED* CONDITION, WITH FIRM CONTACT, HAS BEEN ACHIEVED.

VERIFY THAT THE DTI HAS NOT BEEN OVER-COMPRESSED BY THE SNUGGING ACTIVITY BY CONFIRMING THAT AT LEAST HALF OF THE GAPS IN THE DTI WOULD ACCEPT THE APPROPRIATE THICKNESS FEELER GAGE (0.005in OR 0.127mm) FOR GALVANIZED FASTENERS.

USING THE *SYSTEMATIC TIGHTENING* METHOD, TIGHTEN EACH BOLT/NUT IN THE JOINT. TIGHTEN UNTIL THE FEELER GAGE WOULD BE REFUSED ENTRY INTO AT LEAST HALF OF THE DTI GAPS. THE FASTENER SHOULD NOT BE TIGHTENED TO THE POINT WHERE NO GAP IS VISIBLE BETWEEN THE DTI'S PROTRUDED SURFACE AND THE BOLT/WASHER/NUT SURFACE.

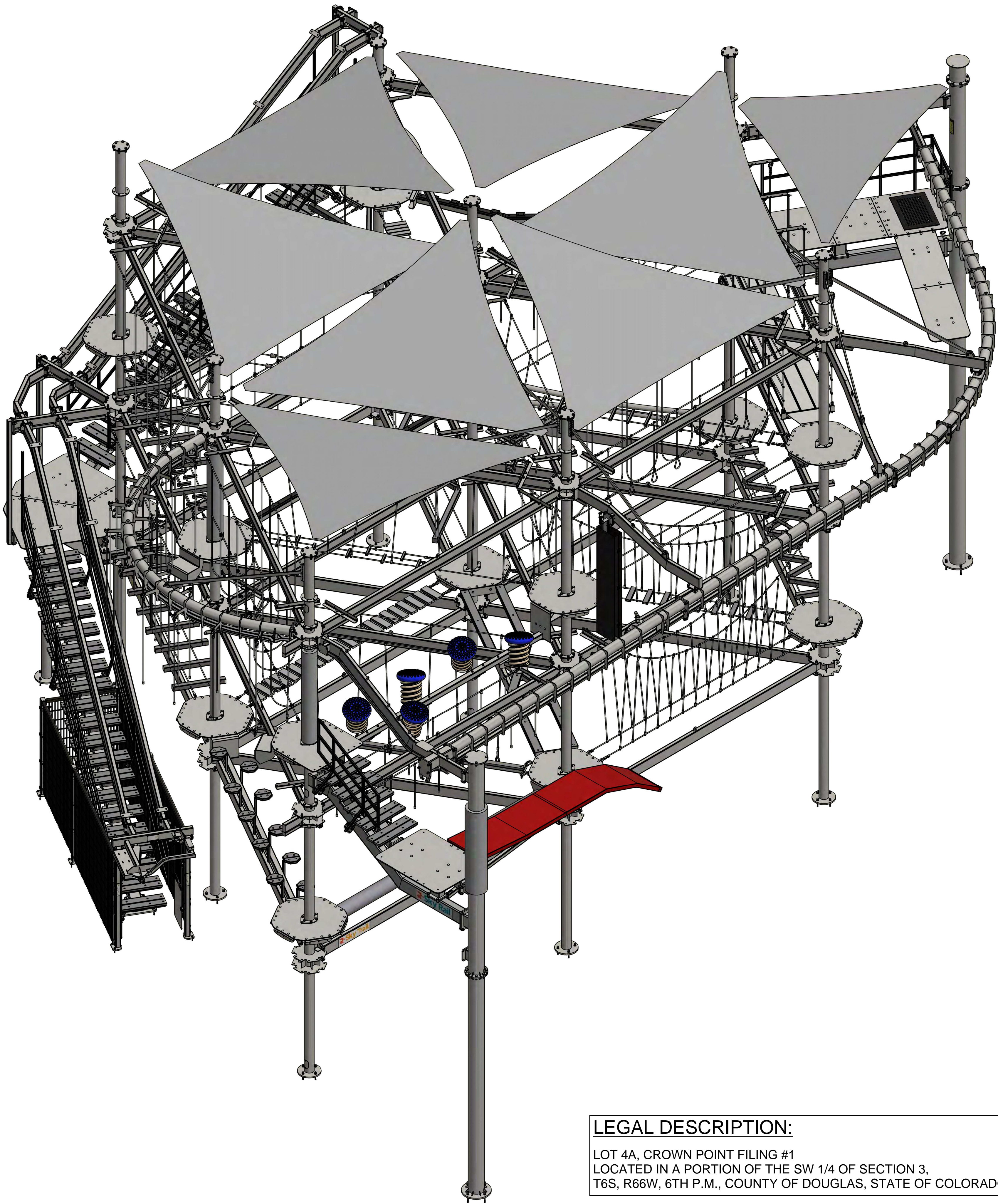
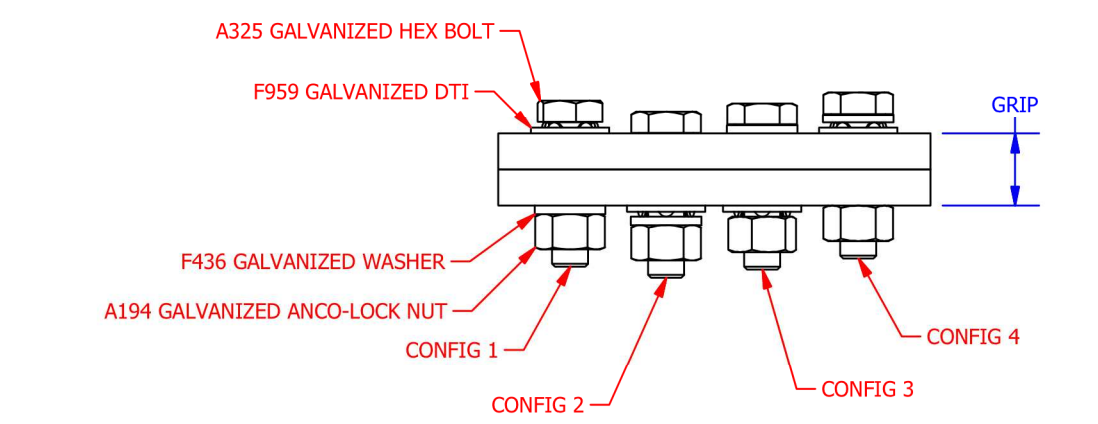
SYSTEMATIC TIGHTENING

A PATTERN SHOULD BE CHOSEN FOR SNUGGING THE JOINT SO THAT THE JOINT IS DRAWN TOGETHER WITHOUT UNDUE BENDING OF ANY OF THE CONNECTION PARTS. ACHIEVING THE CONDITION OF *SNUG-TIGHT*. THE PATTERN SHOULD ALSO BE USED SO THAT BOLTS ARE NOT INADVERTENTLY MISSED DURING EITHER SNUGGING OR PRETENSIONING.

THE JOINT SHOULD BE SNUGGED STARTING AT THE MOST RIGID PART OF THE JOINT. IN A JOINT WITH A SINGLE OR DOUBLE ROW OF BOLTS, THIS WOULD BE WHERE THE STEEL IS ALREADY IN CONTACT, WORKING TOWARD THE END WHERE THE STEEL MAY NOT BE IN CONTACT. IF THERE IS SOLID CONTACT BETWEEN THE STEEL AT ALL LOCATIONS, THE DIRECTION OF SNUGGING DOES NOT MATTER.

IN JOINTS WITH THICK COMPONENTS OR MULTIPLE PLIES, SEVERAL PASSES WITH THE WRENCH MAY BE NECESSARY TO BRING THE PARTS INTO FIRM CONTACT.

AFTER THE JOINT HAS BEEN COMPLETELY SNUGGED, *PRETENSIONING* OF THE BOLTS SHOULD FOLLOW THE SAME SYSTEMATIC PATTERN USED FOR SNUGGING, IN A MANNER THAT MINIMIZES THE LOOSENING OF PREVIOUSLY INSTALLED BOLTS.



LEGAL DESCRIPTION:
 LOT 4A, CROWN POINT FILING #1
 LOCATED IN A PORTION OF THE SW 1/4 OF SECTION 3,
 T6S, R66W, 6TH P.M., COUNTY OF DOUGLAS, STATE OF COLORADO

Troy Garland
 Digitally signed by Troy Garland
 DN: cn=Troy Garland c=US
 l=Hamilton o=Troy Garland
 e=troy@tgsstructural.com
 Reason: Engineering Seal
 Location: Hamilton, MI
 Date: 2022-02-01 09:39:05:00

TABLE OF CONTENTS	
SHEET NUMBER	SHEET TITLE
1.0	COVER SHEET
2.0	COURSE FOOTING LAYOUT
2.1	FOUNDATION DETAILS
2.2	COURSE LOCATION
3.0	COURSE FRAME LAYOUT
3.1	GROUND LEVEL FRAME DETAILS
3.2	FIRST LEVEL FRAME DETAILS
3.3	SECOND LEVEL FRAME DETAILS
3.4	SKY RAIL FRAME DETAILS
3.5	SUN SHADE FRAME DETAILS
3.6	COLUMNS WITH HAND HOLES DETAILS
4.0	CONNECTION DETAILS
4.1	CONNECTION DETAILS
4.2	SKY RAIL CONNECTION DETAILS
4.3	SKY RAIL INSTALLATION MECHANICAL DETAILS
5.0	FIRST LEVEL ELEMENT LAYOUT
5.1	SECOND LEVEL ELEMENT LAYOUT
5.2	ELEMENT CONNECTIONS

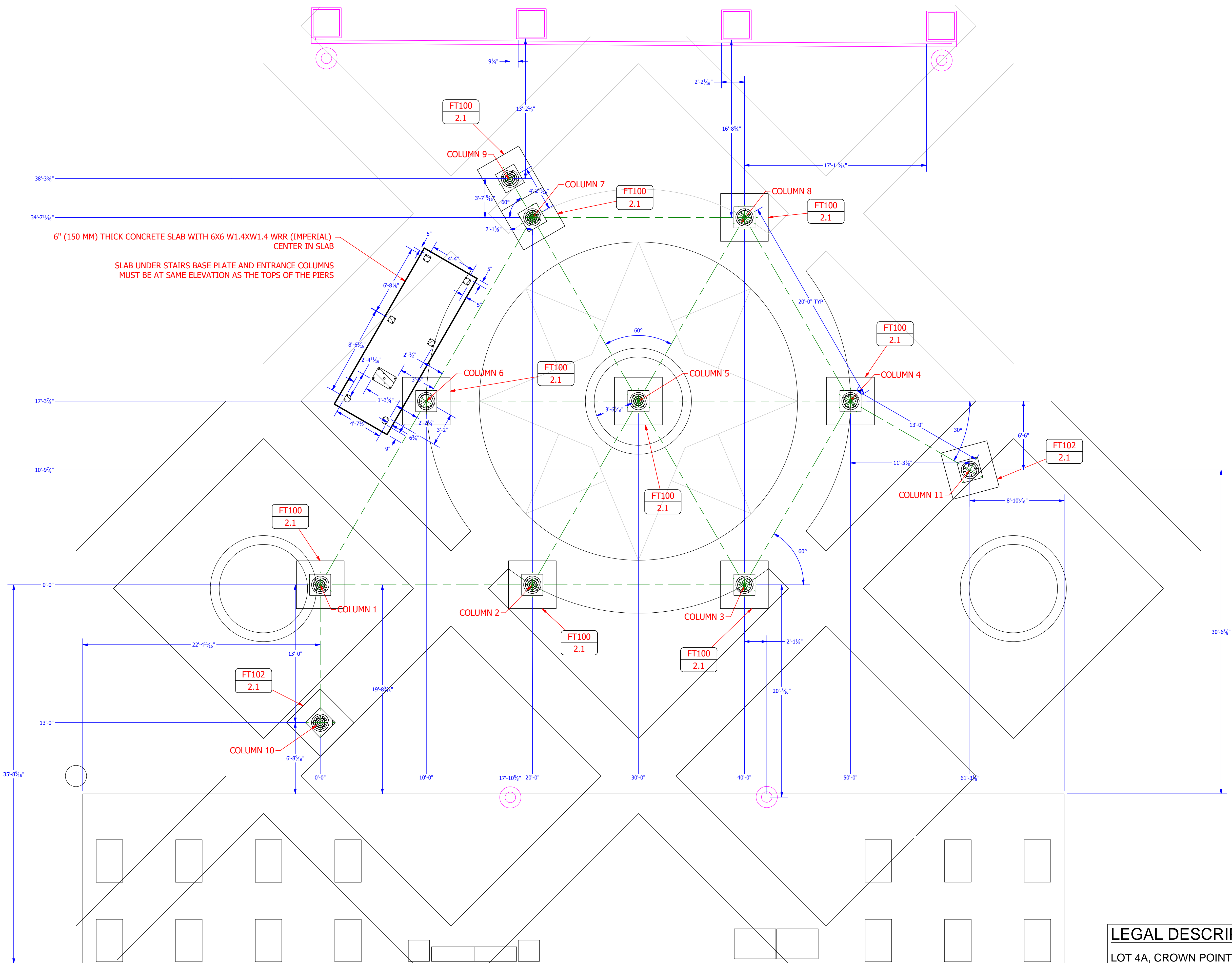
1.0 SHEET :
 SITE ADDRESS: BOONDOCKS FOODTRUCK-PARKER
 18706 COTTONWOOD DR, PARKER
 CO 80138, USA
 PROJECT NAME: BOONDOCKS FOOD
 & BEV - PARKER
 JOB NO: 10615
 DESCRIPTION: 8 POLE 2 LEVEL CUSTOM SKY TRAIL@ DISCOVERY WITH (D) 60' SKY RAIL@ AND SUN SHADES
 AUTHOR: ROSTAM
 DATE: 11/23/2021
 REV:

COVER SHEET

SHEET:
 1.0

FOUNDATION TYPE IS DRILLED PIER FOUNDATION.

TABLE		
COLUMN #	LOCAL ELEVATION	SURVEY ELEVATION
COLUMN 1	1.72	5809.47
COLUMN 2	0.00	5807.75
COLUMN 3	0.12	5807.87
COLUMN 4	0.00	5807.75
COLUMN 5	1.79	5809.54
COLUMN 6	0.00	5807.75
COLUMN 7	0.12	5807.87
COLUMN 8	0.12	5807.75
COLUMN 9	0.17	5807.92
COLUMN 10	0.17	5807.92
COLUMN 11	0.00	5807.75



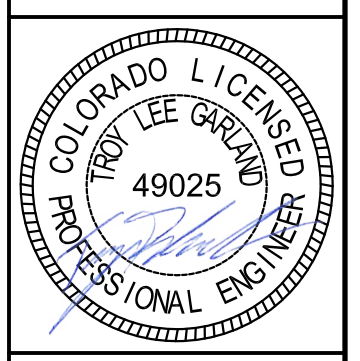
6" (150 MM) THICK CONCRETE SLAB WITH 6X6 W1.4XW1.4 WRR (IMPERIAL) CENTER IN SLAB
 SLAB UNDER STAIRS BASE PLATE AND ENTRANCE COLUMNS MUST BE AT SAME ELEVATION AS THE TOPS OF THE PIERS

SITE ADDRESS: 18706 COTTONWOOD DR., PARKER, CO 80138
 PROJECT NAME: BOONDOCKS FOOD & BEVERAGE
 JOB NO: 1061
 DESCRIPTION: BOONDOCKS FOOD & BEVERAGE CUSTOM SKY TRAIL @ DISCOVERY WITH (1) 60° SKY SHAPE
 AUTHOR: RICHARD HAYES



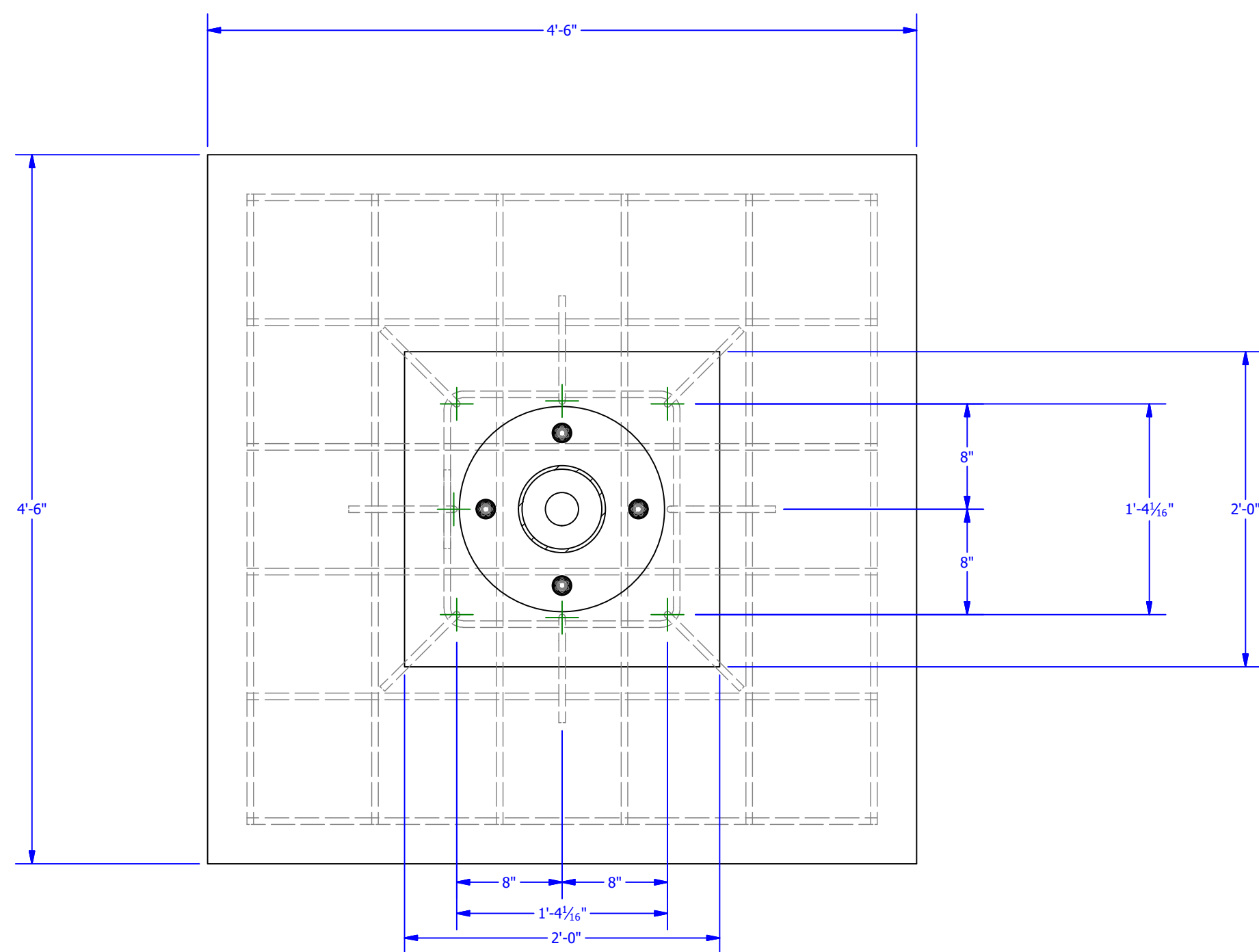
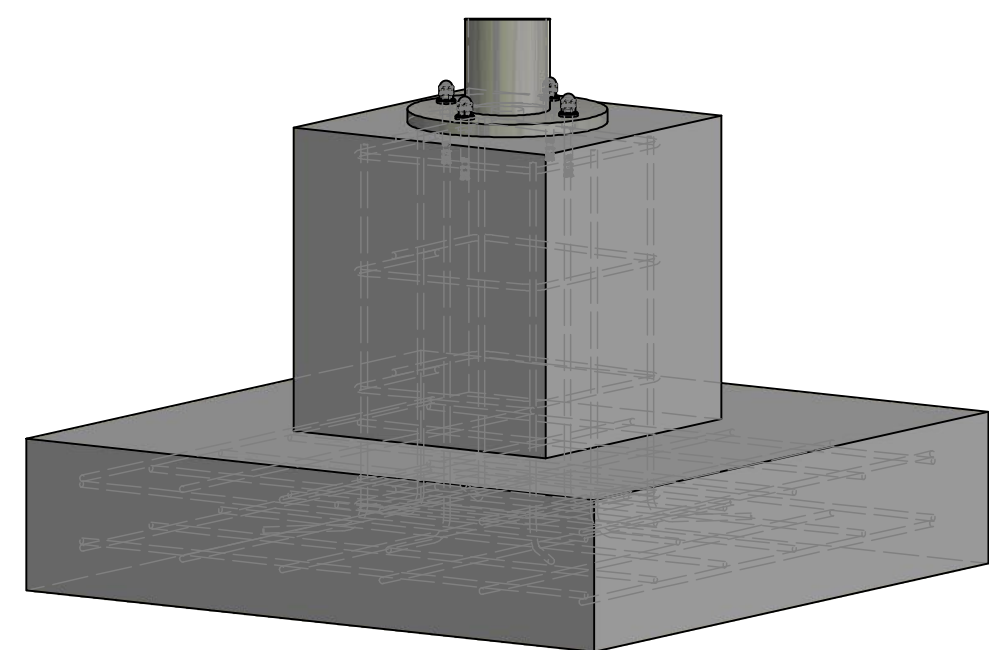
COURSE FOOTING LAYOUT

LEGAL DESCRIPTION:
 LOT 4A, CROWN POINT FILING #1
 LOCATED IN A PORTION OF THE SW 1/4 OF SECTION 3,
 T6S, R66W, 6TH P.M., COUNTY OF DOUGLAS, STATE OF COLORADO

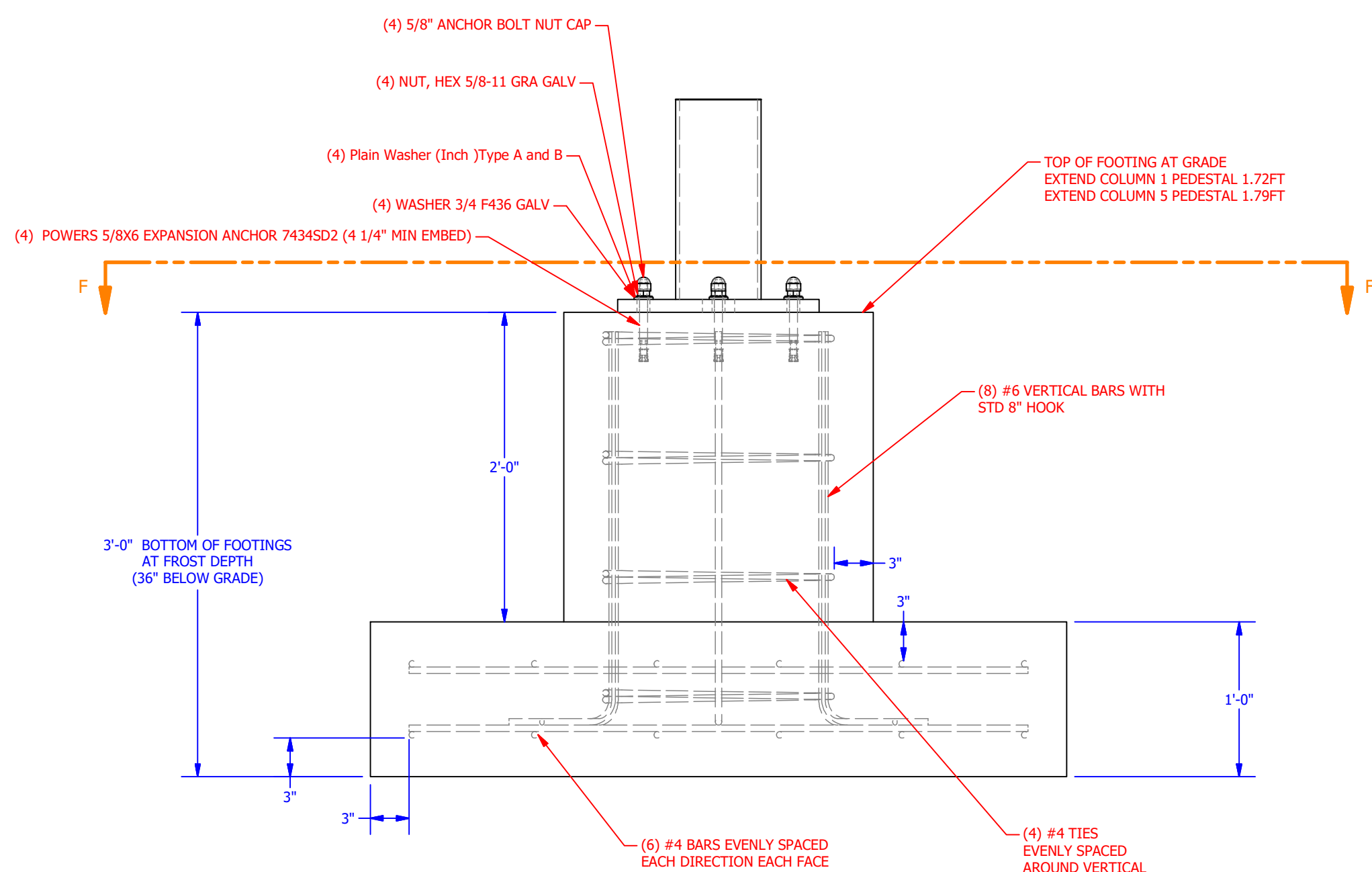


NOTES:

1. FOOTINGS ARE DESIGNED FOR A MAXIMUM VERTICAL BEARING PRESSURE OF 1,500 PSF (PER IRC 1804.2, LOWEST PRESUMPTIVE LOAD BEARING VALUE).
2. FOUNDATION BACKFILL SHOULD CONSIST OF THE EXISTING SANDY FILL OR GRANULAR IMPORT MATERIAL. BACKFILL SHOULD BE PLACED IN THIN, LOOSE LIFTS, MOISTURE CONDITIONED TO WITHIN 2% OF OPTIMUM MOISTURE CONTENT, AND COMPACTED TO AT LEAST 95% OF MAXIMUM MODIFIED PROCTOR DRY DENSITY.
3. CONCRETE SHALL HAVE A 28 DAY COMPRESSIVE STRENGTH OF 4000 PSI.
4. REINFORCEMENT SHALL BE GRADE 60 DEFORMED BARS.



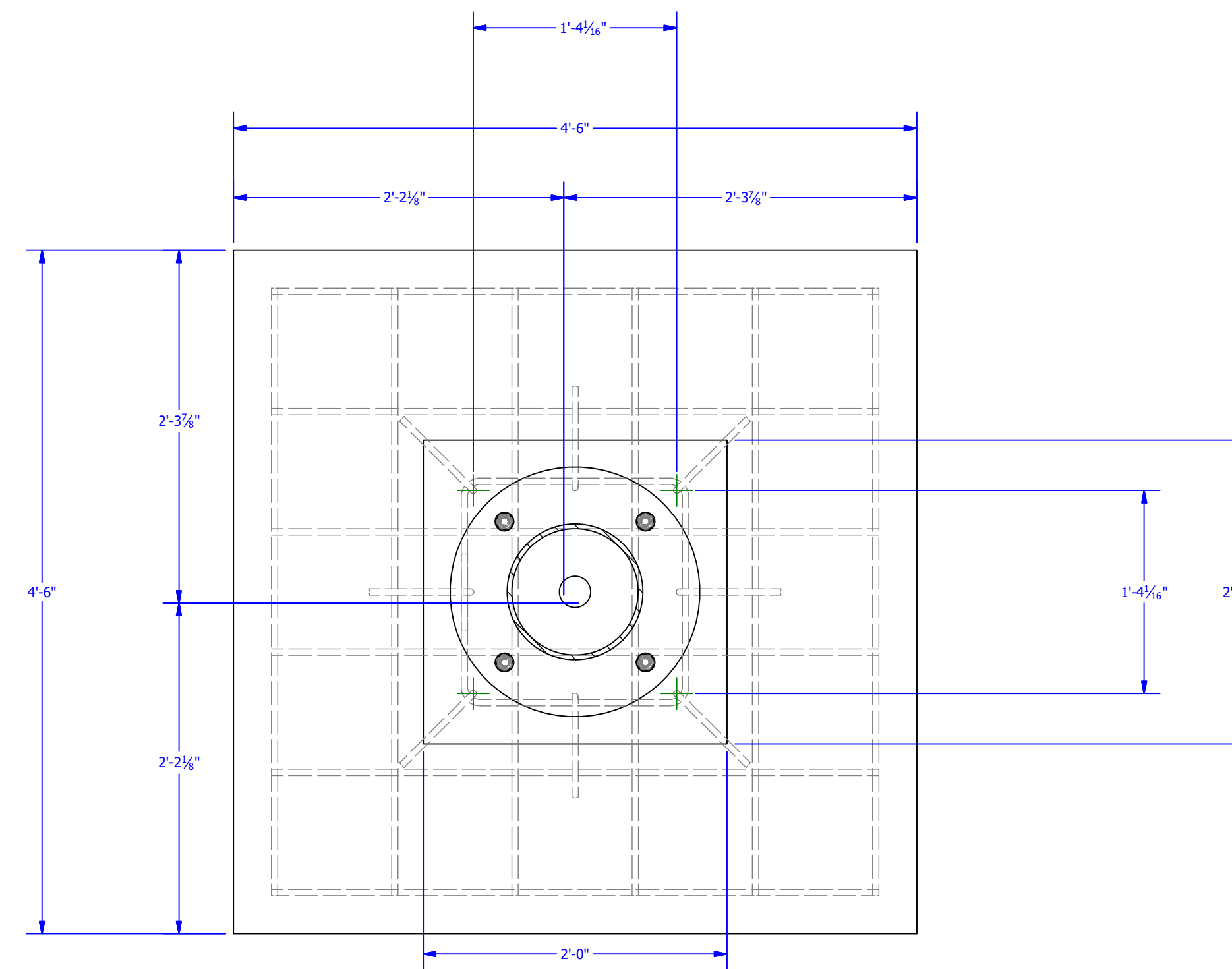
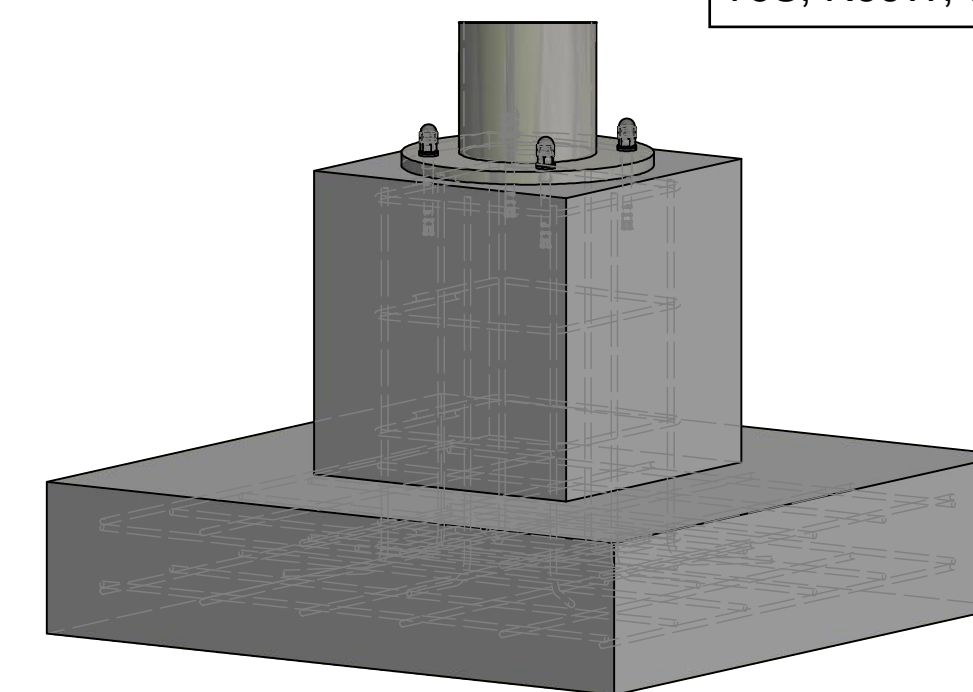
VIEW F-F
SCALE 1/10



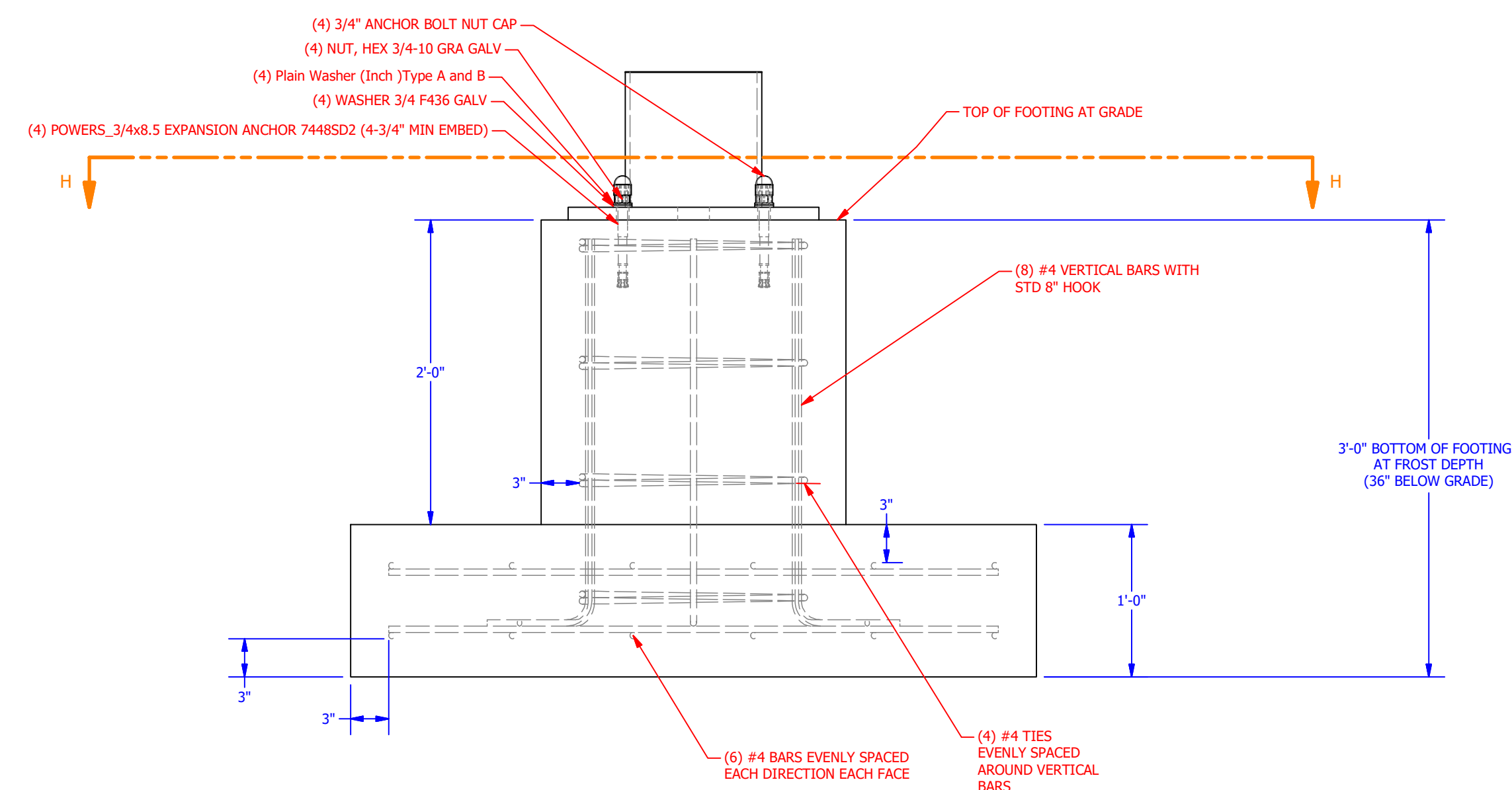
FT100 - MAIN COLUMN SPREAD FOOTING

LEGAL DESCRIPTION:

LOT 4A, CROWN POINT FILING #1
LOCATED IN A PORTION OF THE SW 1/4 OF SECTION 3,
T6S, R66W, 6TH P.M., COUNTY OF DOUGLAS, STATE OF COLORADO



VIEW H-H
SCALE 1/10

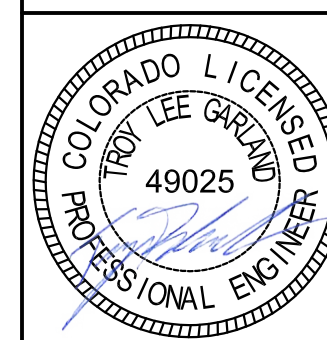


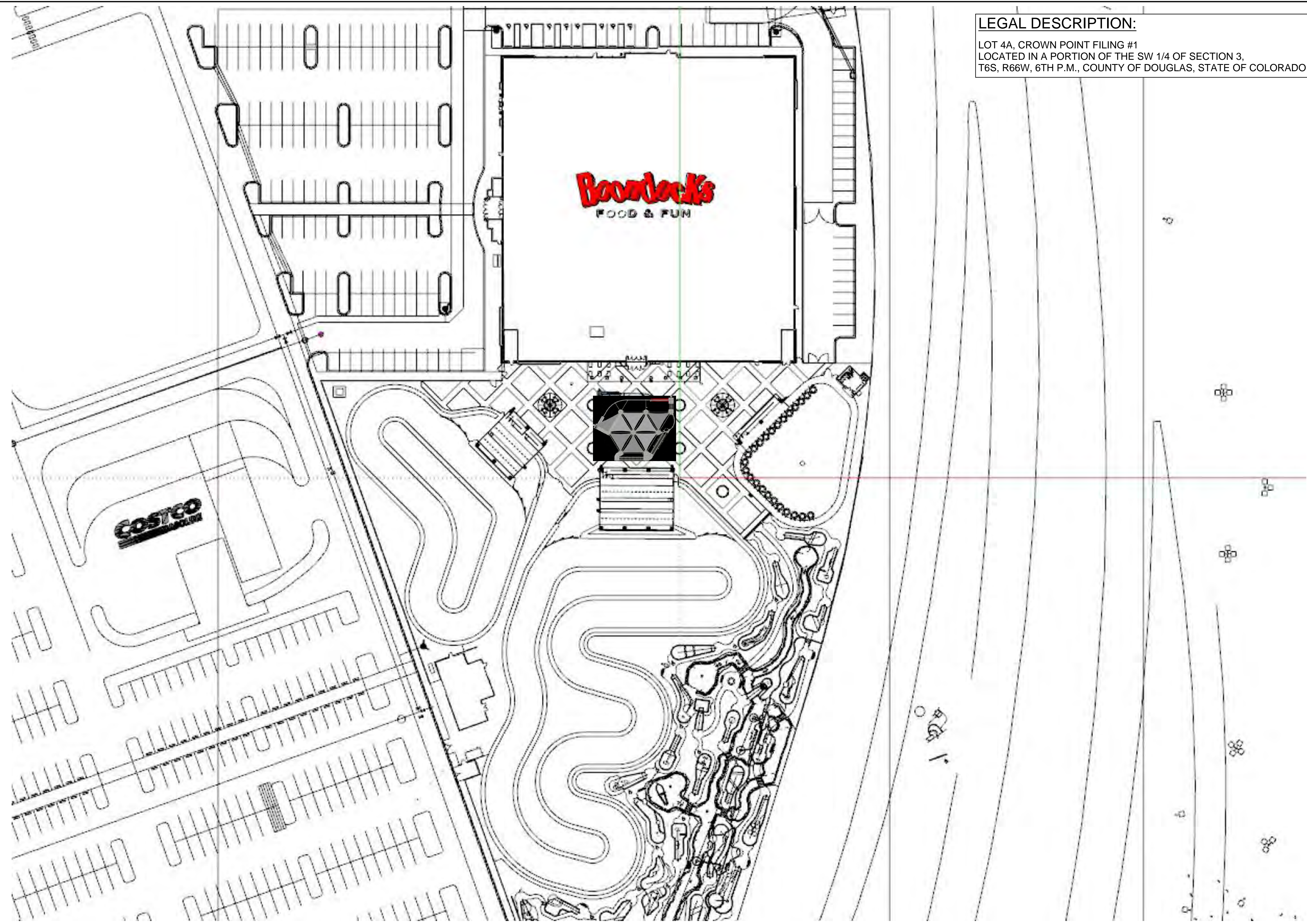
FT101 - SKY RAIL COLUMN SPREAD FOOTING

SHEET: 2.1
SITE ADDRESS: BOONDOCKS FOOD&FARM-PARKER 18706 COTTONWOOD DR, PARKER CO 80138, USA
JOB NO: 10615
PROJECT NAME: BOONDOCKS FOOD & FARM - PARKER
DESCRIPTION: 8 POLE 2 LEVEL CUSTOM SKY TRAIL@ DISCOVERY WITH (1) 60' SKY RAIL@ AND SUN SHADES
AUTHOR: ROSTAM
DATE: 09/09/2021
REV:



COURSE FOUNDATIONS DETAILS



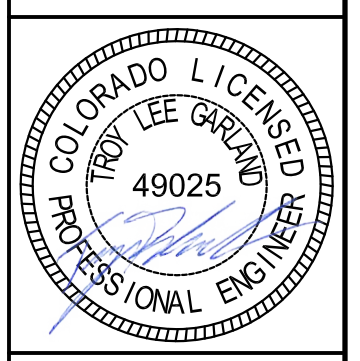


LEGAL DESCRIPTION:
 LOT 4A, CROWN POINT FILING #1
 LOCATED IN A PORTION OF THE SW 1/4 OF SECTION 3,
 T6S, R66W, 6TH P.M., COUNTY OF DOUGLAS, STATE OF COLORADO

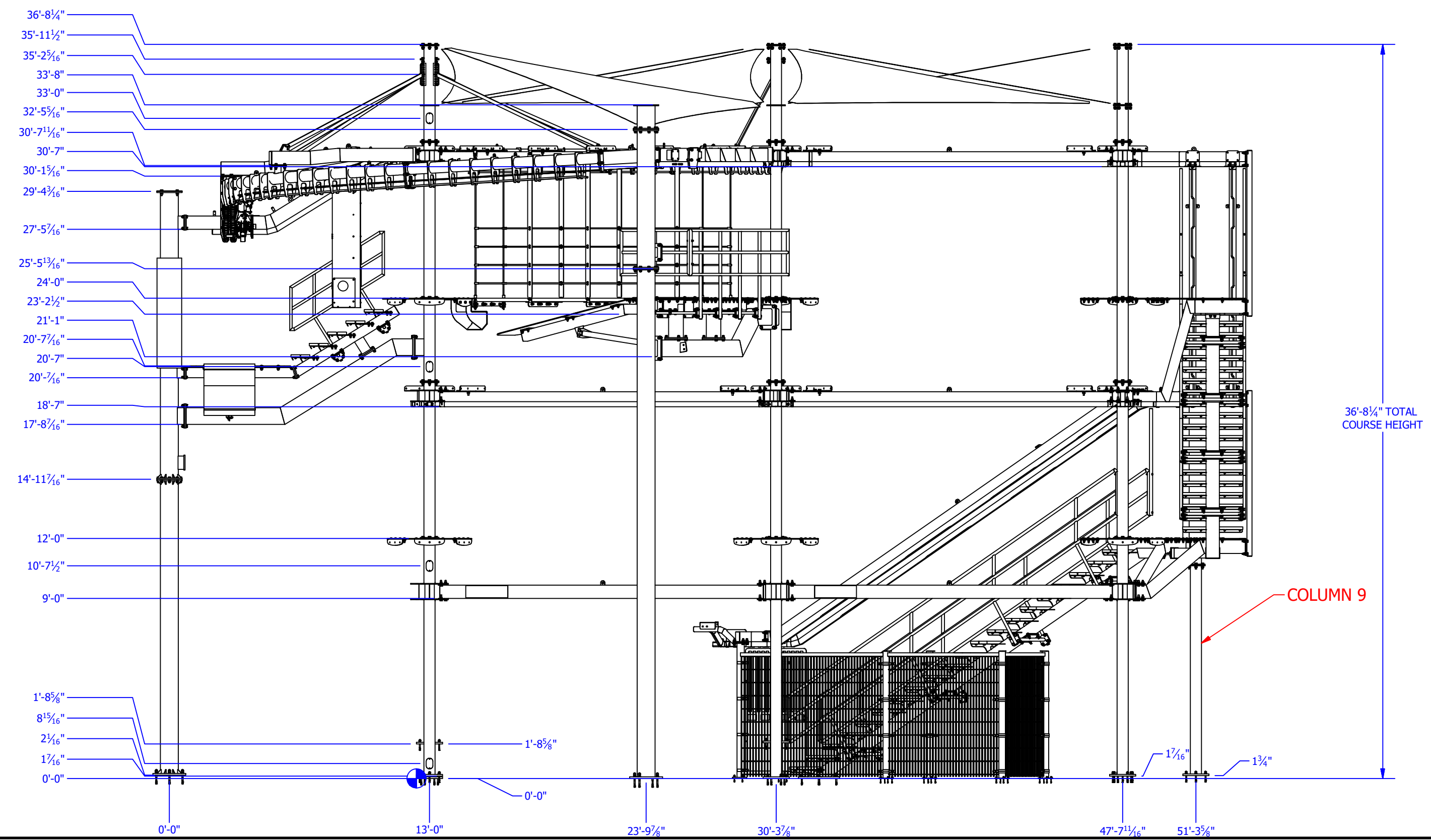
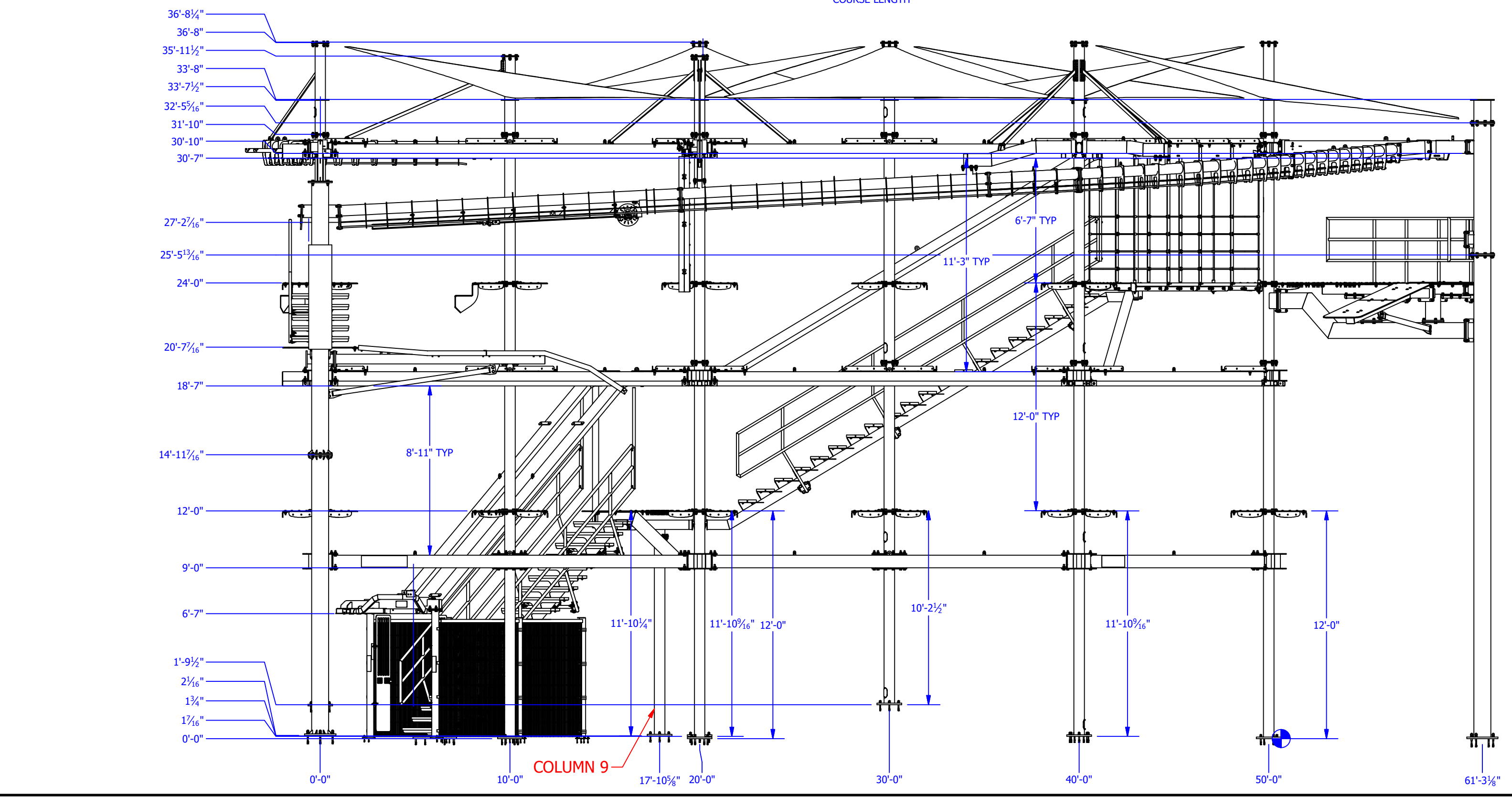
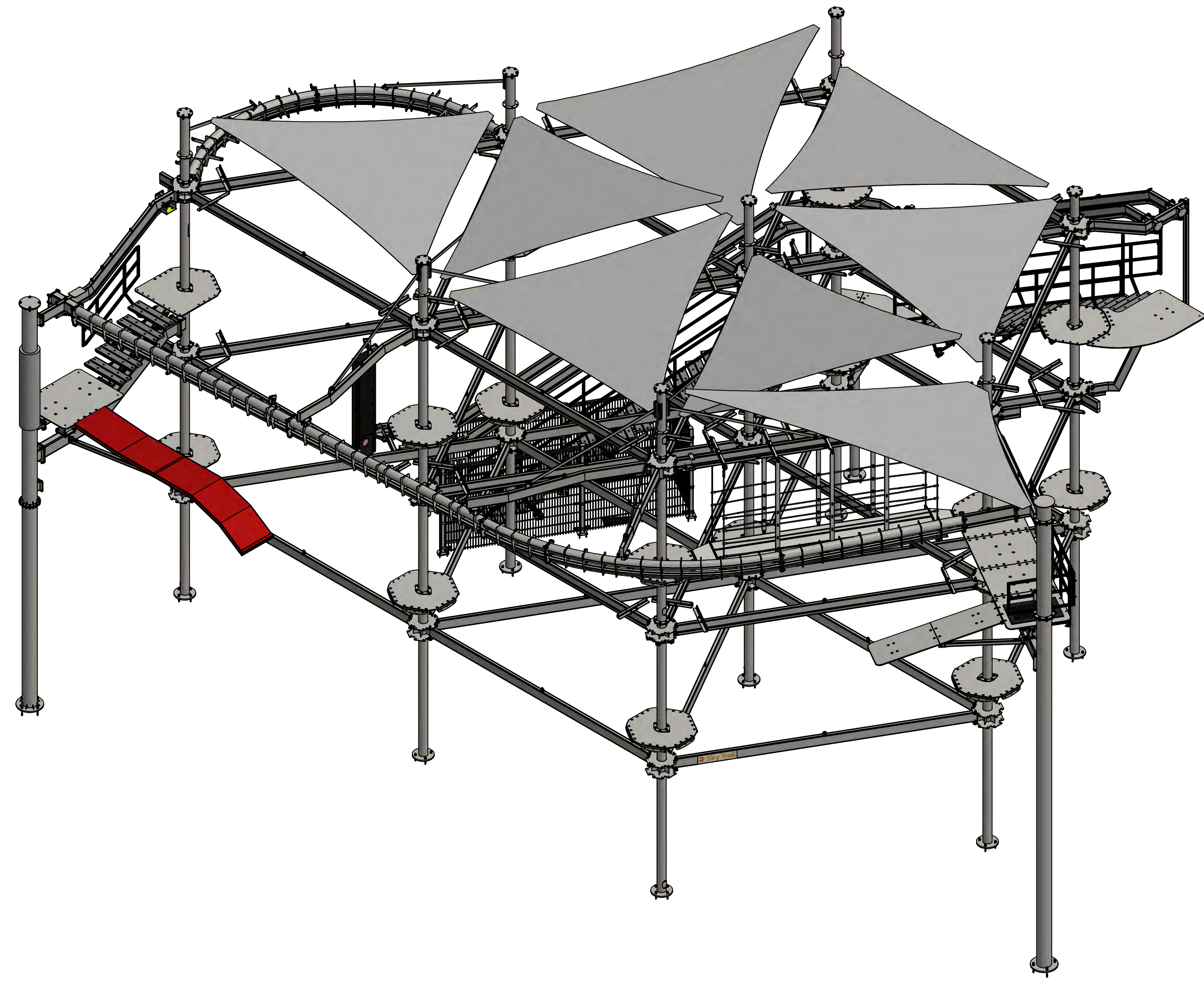
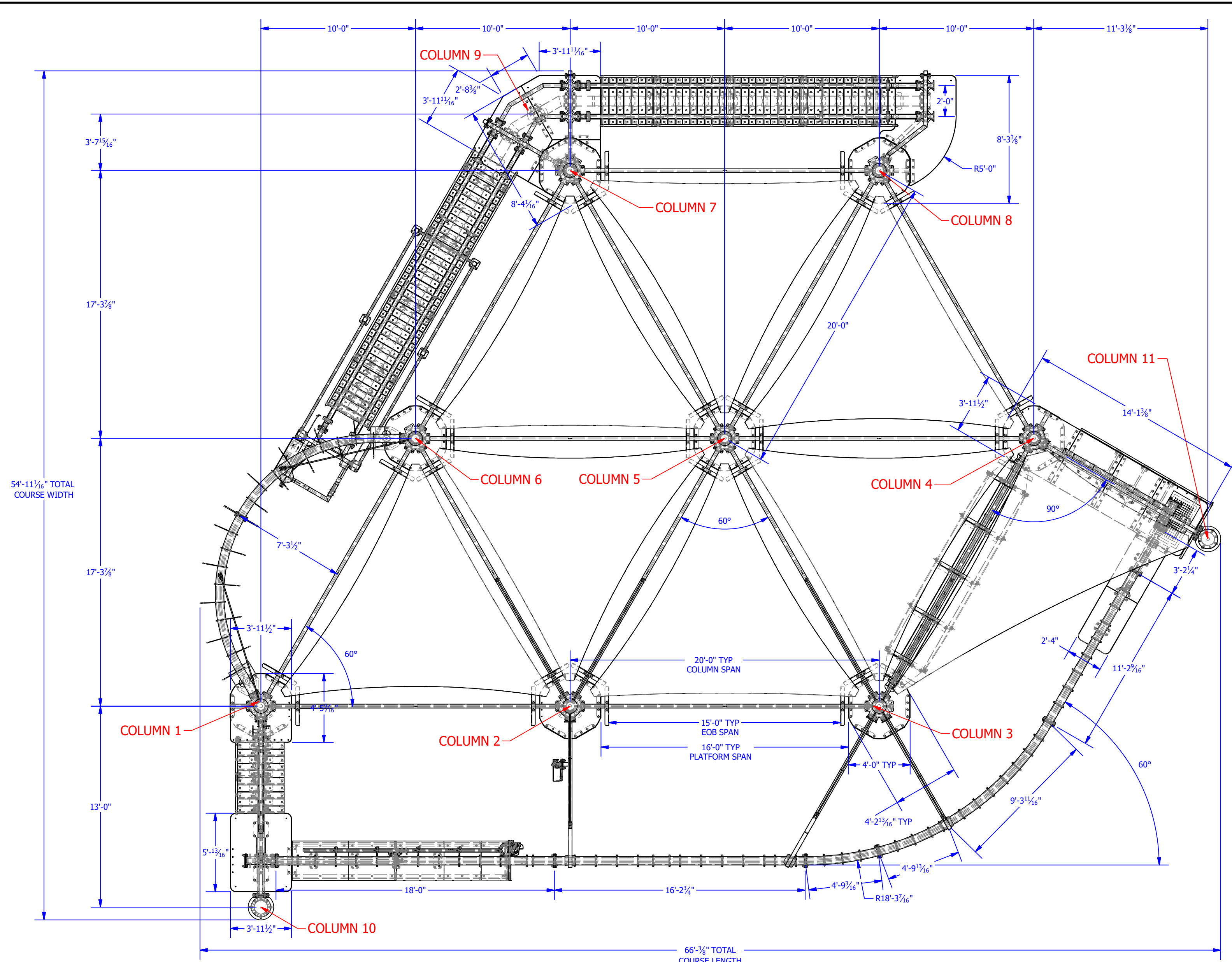
SHEET: 2.2
 SITE ADDRESS: BOONOCKS FOOD&FUN-PARKER 18706 COTTONWOOD DR, PARKER CO 80138, USA
 PROJECT NAME: BOONOCKS FOOD & FUN - PARKER
 JOB NO: 10615
 DESCRIPTION: 8 POLE 2 LEVEL CUSTOM SKY TRAIL® DISCOVERY WITH (1) 60' SKY RAIL® AND SUN SHADES
 AUTHOR: ROSTAM DATE: 11/23/2021 REV:



COURSE LOCATION



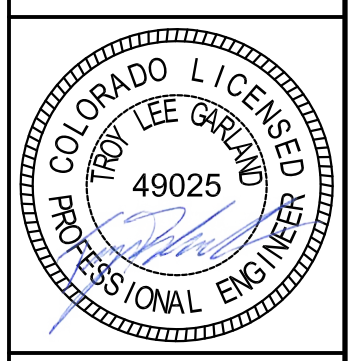
SHEET: 2.2



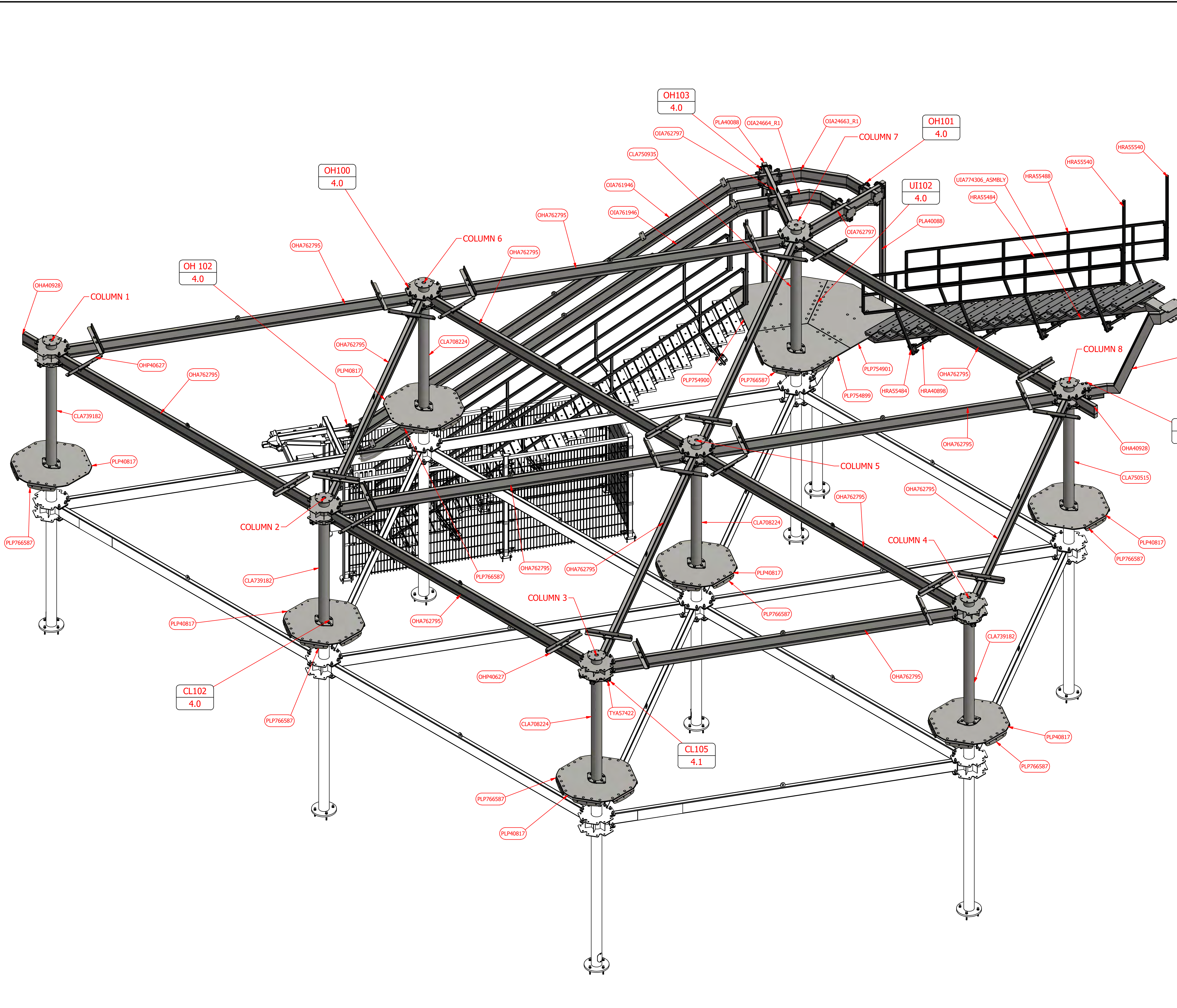
SHEET: 3.0
 BOONDOCKS FOOD&FUN-PARKER
 18706 COTTONWOOD DR. PARKER
 CO 80138, USA
 PROJECT NAME: BOONDOCKS FOOD
 JOB NO: 16615
 ADVENTURE PRODUCTS
 277 North St. Aligent, MI 48103
 www.repsportsinc.com
 DESCRIPTION: 8 POLE 2 LEVEL CUSTOM SKY TRAIL@ DISCOVERY
 WITH (1) 60P SKY RAIL@ AND SUN SHADES
 AUTHOR: ROSTAM DATE: 11/23/2021 REV:



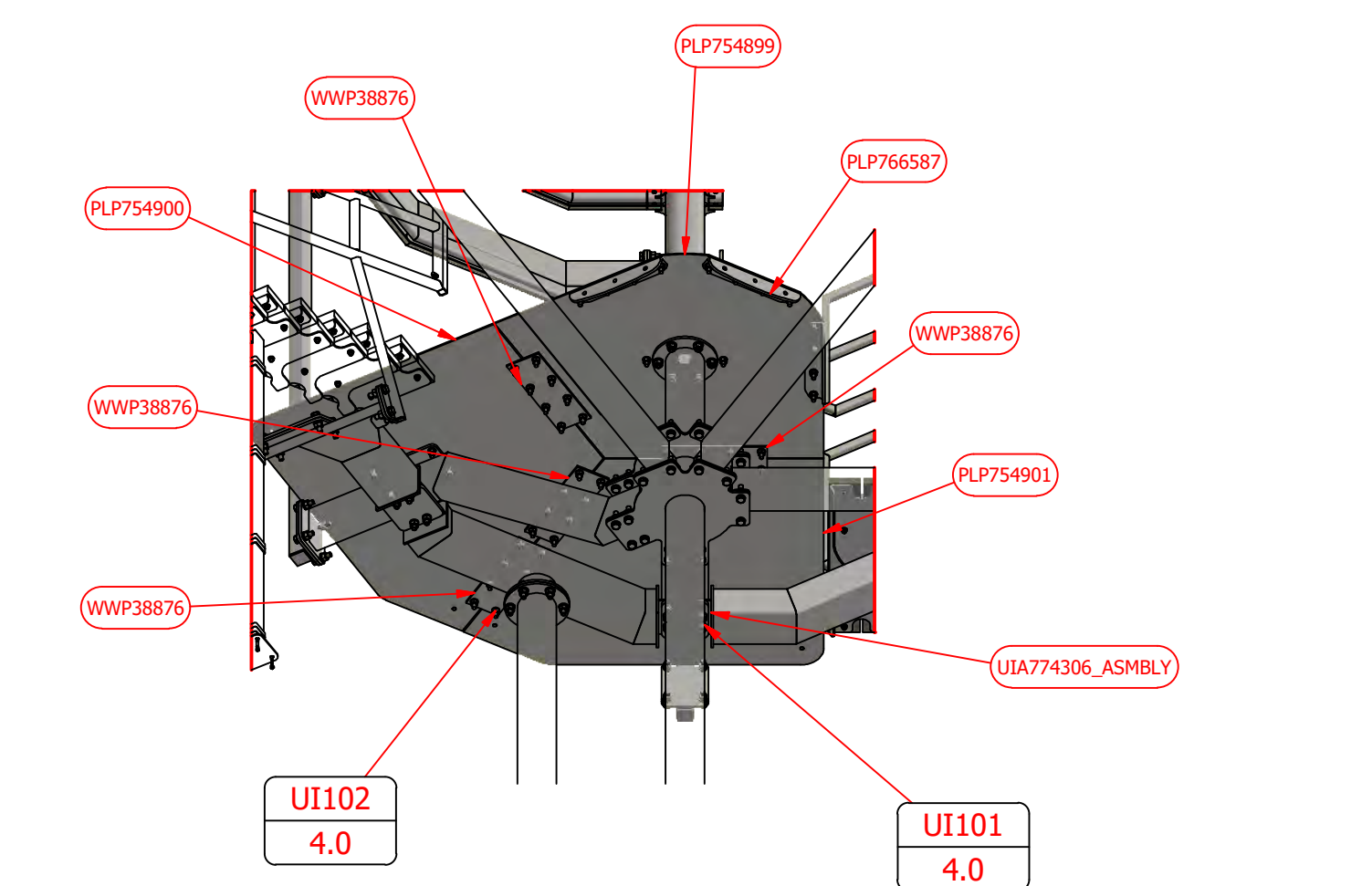
COURSE FRAME LAYOUT



SHEET: 3.0



LEVEL 1 PARTS LIST			
PART NUMBER	ITEM QTY	DESCRIPTION	MASS
CLA708224	3	NAV/DST - 6-WAY TOP COLUMN WELDMENT	276.4940 lbmass
CLA739182	3	NAV/DST - 5-WAY TOP COLUMN WELDMENT	272.7829 lbmass
CLA750515	1	DST - 6-WAY TOP COLUMN TYPE C WELDMENT	282.2186 lbmass
CLA750935	1	NAV/DST - 5-WAY TOP COLUMN TYPE D WELDMENT	272.7827 lbmass
HRA40898	4	GUARD FRAME CROSS ARM WELDMENT	32.6647 lbmass
HRA55484	1	NAV/DST - RIGHT GUARD FRAME WELDMENT	289.5265 lbmass
HRA55488	1	NAV/DST - LEFT GUARD FRAME WELDMENT	289.5265 lbmass
HRA55540	2	CATCH POLE WELDMENT	16.2999 lbmass
OHA40928	2	NAV/DST ETIK ARM WELDMENT	29.6591 lbmass
OHA762795	14	DST - OVERHEAD BEAM WELDMENT	364.0000 lbmass
OHP40627	28	PLT3/8"x30"x5 3/8" A36 FORMED EOB ANGLE	16.8382 lbmass
OIA24663_R1	1	NAV2 - INCLINE PLATFORM OH CONNECTION OUTER WELDMENT	105.1827 lbmass
OIA24664_R1	1	NAV2 - INCLINE PLATFORM OH CONNECTION INNER WELDMENT R1	66.9033 lbmass
OIA761946	2	NAV/DST OVER INCLINE WELDMENT	306.1632 lbmass
OIA762797	2	NAV/DST OVER INCLINE ARM WELDMENT	163.9887 lbmass
PLA40888	2	NAV2 - INCLINE PORTAL COLUMN WELDMENT	78.5759 lbmass
PLP40817	7	PLT1/2"x50 13/16"x47 1/2" A36 NAV/DST - 6-WAY PLATFORM PLATE	266.5215 lbmass
PLP754899	1	PLT1/2"x56 5/16"x49 1/4" A36 NAV - Platform_TypeG_R0	294.5221 lbmass
PLP754900	1	PLT0.5X61.6875X49.875 A36 NAV - Platform_TypeH_R0	354.4598 lbmass
PLP754901	1	PLT1/2"x61 11/16"x49 7/8" A36 NAV - Platform_TypeH_R0	354.4598 lbmass
PLP766587	39	PLT1/2"x18"x6 5/16" A36 STDCOMP - ELEMENT FACE ANGLE_R2	14.5226 lbmass
TYA57422	25	TRACK BLOCK OFF KIT	.9494 lbmass
UIA774306_ASMBLY	1	DST - ROPE RAILS UI ASSEMBLY_R2	1691.4620 lbmass
UIA788172	1	10615 - UI ARM TOP LVL RIGHT WELDMENT	187.3619 lbmass
WWP38876	4	PLT0.375X18X6.25 A36 IHANGWALK - COL PLAT LAP PLATE	11.6633 lbmass



SHEET: 3.2

PROJECT NAME: BOONDOCKS FOOD TRAIL
18706 COTTONWOOD DR. PARKER CO 80138, USA

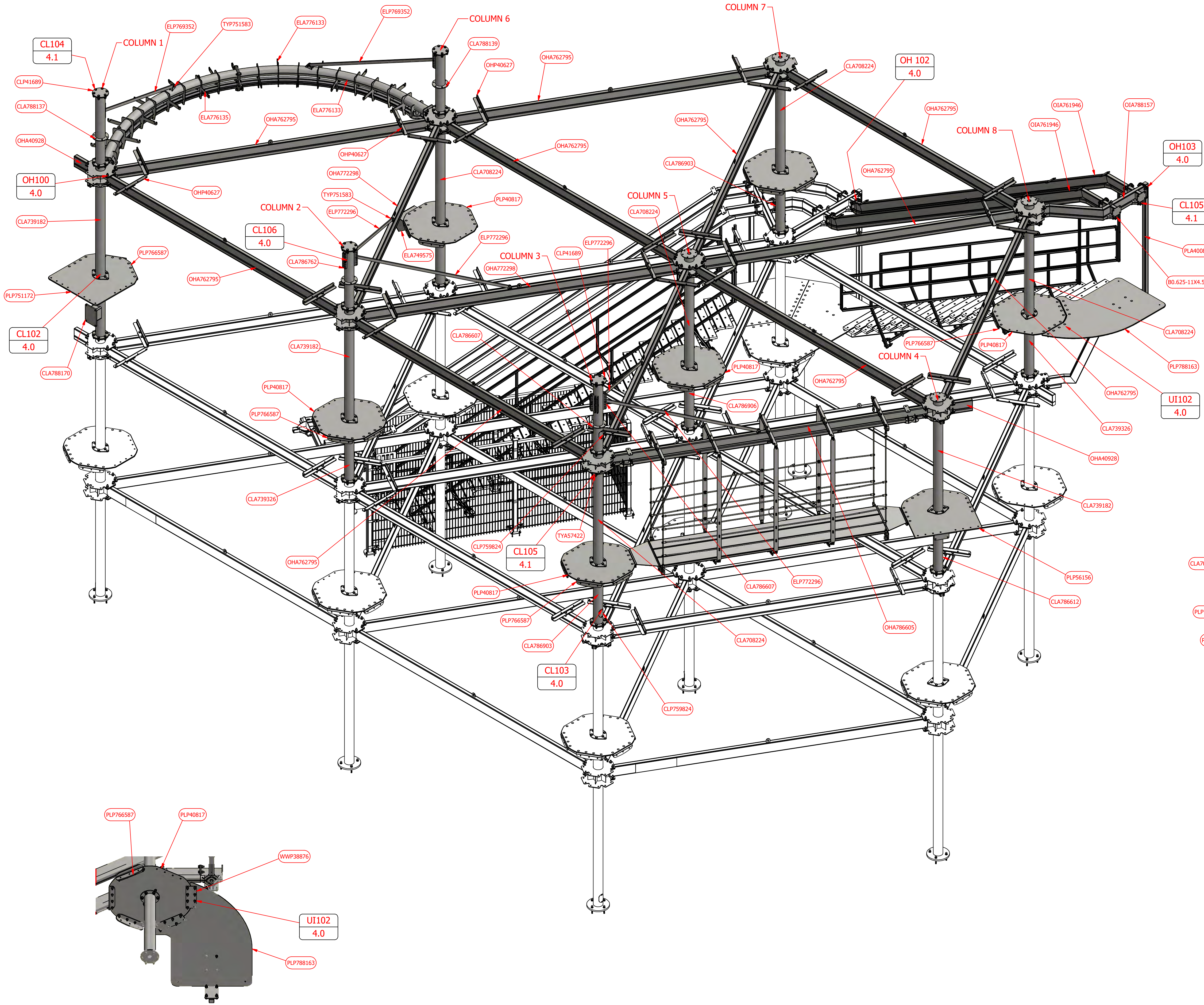
JOB NO: 10615
DESCRIPTION: 8 POLE 2 LEVEL CUSTOM SKY TRAIL @ DISCOVERY WITH (0) 60P SKY RAIL @ AND SUN SHADES

AUTHOR: ROSTAM DATE: 11/23/2021 REV:

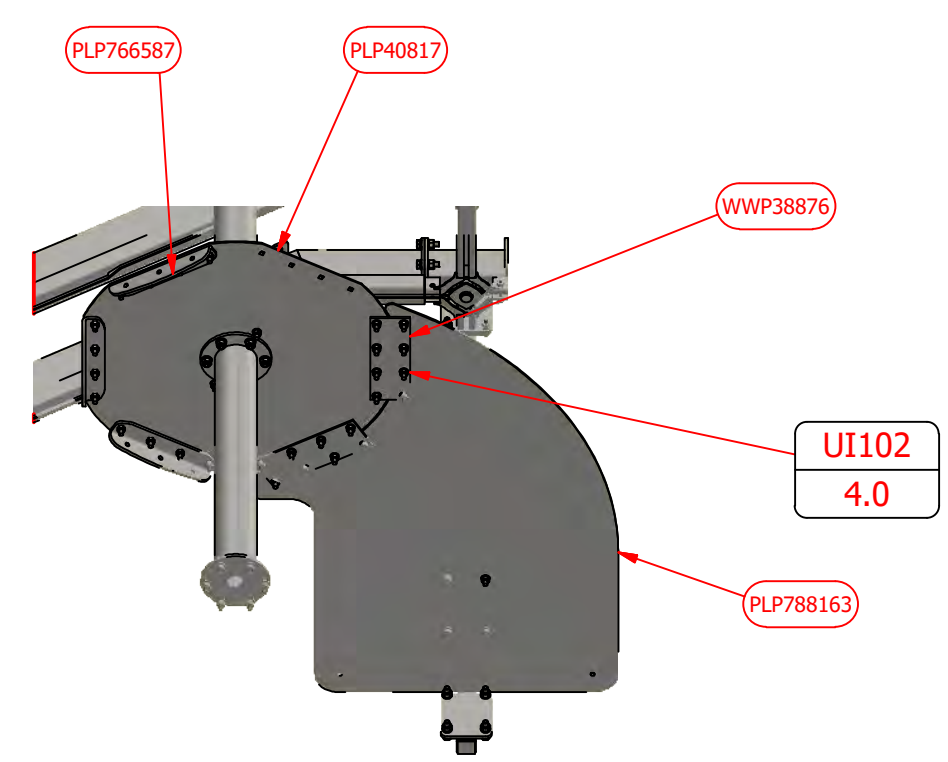
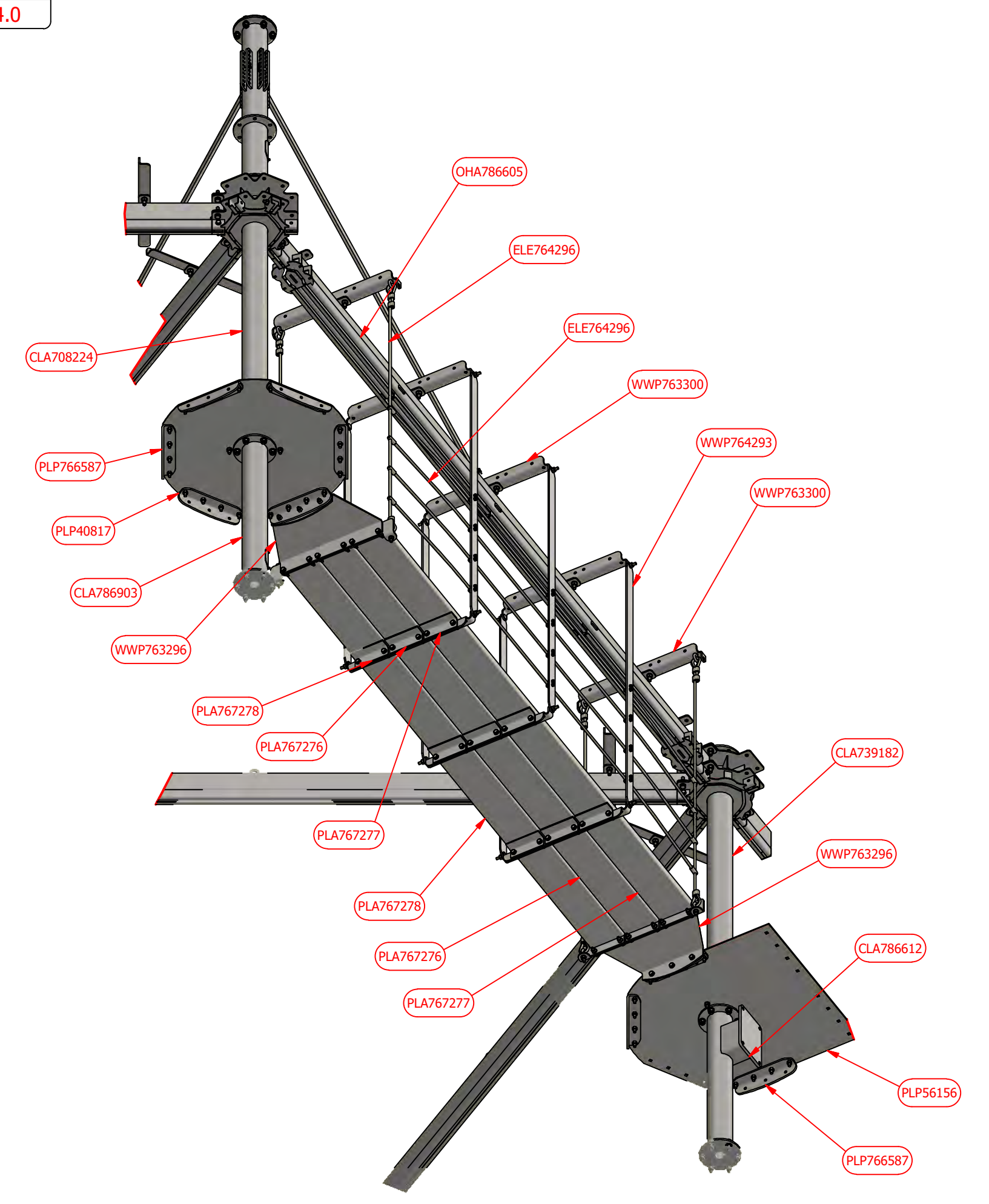
ADVANTURE PRODUCTS
277 North St. Almont, WY 82401
www.advantureproducts.com

FIRST LEVEL FRAME DETAILS

SHEET: 3.2



LEVEL 1 PARTS LIST			
PART NUMBER	ITEM QTY	DESCRIPTION	MASS
B0.625-11X4.5A325G	2	BOLT 5/8-11X4 1/2 A325 GALV	5141 lbmass
CLA788224	5	NAV/DST - 6-WAY TOP COLUMN WELDMENT	276.4940 lbmass
CLA799182	3	NAV/DST - 5-WAY TOP COLUMN WELDMENT	272.7829 lbmass
CLA799326	3	NAV - MIDCOL_EXTENSION_TYPERA - WELDMENT_RO	102.1921 lbmass
CLA786607	1	NAV - MIDCOL_EXTENSION_SKYRAILLUG_HANGER - WELDMENT_RO	151.8764 lbmass
CLA786612	1	10615 - MID COLUMN SR STUB WELDMENT	153.7533 lbmass
CLA786762	1	NAV - MIDCOL_EXTENSION_SKYRAILLUG_TYPERA_SUN SHADE - WELDMENT_R1	132.2323 lbmass
CLA786903	2	10615 - NAV - MIDCOL_EXTENSION_MOVED WIRE HOLE - WELDMENT	101.1109 lbmass
CLA786906	1	10615 - NAV - MIDCOL_EXTENSION_MOVED WIRE HOLE1200 - WELDMENT	101.1109 lbmass
CLA788137	1	10615 - MID COL EXT FOR ROLLER RAIL TYPE A AND SUN SHADE - WELDMENT	130.1150 lbmass
CLA788139	1	DST2020 - MID COL EXT FOR ROLLER RAIL TYPE D AND SUN SHADE - WELDMENT_R1	117.7247 lbmass
CLA788170	1	10615 - MID COL_EXTENSION_W SR STUB LANDING_R1	152.6721 lbmass
CLP41689	4	PLT1/2"x50 13/16"x47 1/2" A36 NAV/DST - 6-WAY PLATFORM PLATE	6.6798 lbmass
CLP759824	6	PLT11GAx6.5x4.1875 A36 5397 - HAND HOLD CAP	8344 lbmass
ELA749575	2	DST2-E147 - ROLLER RAIL ANGLE FACE WELDMENT_R1	88.4975 lbmass
ELA776133	2	DST - CURVED ROLLER RAIL WELDMENT	396.8811 lbmass
ELA776135	1	DST - CURVED ROLLER RAIL OPPOSITE WELDMENT	396.8811 lbmass
ELP764296	2	HRF3/4"x2" A36 DST2020 - ROLLER RAIL TENSION BAR_RO	47.2647 lbmass
ELP772296	4	PLT3/4"x19 9/16"x2" A36 DST2020 - BACK TENSION BAR_RO	50.6092 lbmass
OHA40928	2	NAV/DST ETK ARM WELDMENT	29.6591 lbmass
OHA762795	10	DST - OVERHEAD BEAM WELDMENT	364.0000 lbmass
OHA772298	3	DST - OVERHEAD BEAM WELDMENT	364.0000 lbmass
OHA786605	1	DST - TWO-WAY OVERHEAD WELDMENT WITH LUG	557.9132 lbmass
OHP40627	26	PLT3/8"x30"x5 3/8" A36 FORMED EOB ANGLE	16.8382 lbmass
OIA761946	2	NAV/DST OVER INCLINE WELDMENT	306.1632 lbmass
OIA788157	1	DST - OI ARM TYPE F WELDMENT MIR	189.2881 lbmass
PLA40088	1	NAV2 - INCLINE PORTAL COLUMN WELDMENT	78.5759 lbmass
PLA767276	1	WW - FLOOR BEAM 2 WELDMENT	219.1035 lbmass
PLA767277	1	WW - FLOOR BEAM 3 WELDMENT	217.7463 lbmass
PLA767278	1	WW - FLOOR BEAM 1 WELDMENT	217.7463 lbmass
PLP40817	6	PLT1/2"x50 13/16"x47 1/2" A36 NAV/DST - 6-WAY PLATFORM PLATE	266.5215 lbmass
PLP56156	1	PLT1/2"x53 9/16"x47 1/2" A36 NAV/DST - 5-WAY PLATFORM PLATE	321.2465 lbmass
PLP751172	1	PLT1/2"x53 9/16"x47 1/2" A36 NAV/DST - 5-WAY PLATFORM PLATE	320.3017 lbmass
PLP766587	34	PLT1/2"x18"x6 5/16" A36 STDCOMP - ELEMENT FACE ANGLE_R2	14.5226 lbmass
PLP788163	1	PLT1/2"x85 13/16"x59 5/8" A36 8444 - STAIRS PLATFORM LEFT	462.1035 lbmass
TYA57422	27	TRACK BLOCK OFF KIT	9494 lbmass
TYP751583	15	STEEL CLEVIS PIN WITH COTTER PIN, 3/4" DIA, 2 1/2" LONG	.0500 lbmass
WWP38876	2	PLT0.375X1.8X6.25 A36 IHANGWALK - COL PLAT LAP PLATE	11.6633 lbmass
WWP763296	2	PLT3/8"x23 11/16"x30 1/4" A36 WW-PLATFORM TRANS P	59.6439 lbmass
WWP763300	8	PLT3/8"x41 15/16"x5 3/8" A36 WW-LOWER SUPPORT A	20.7615 lbmass
WWP764293	6	PLT3/8"x88 7/8"x3" A36 WW-HANGER PLATE	27.6353 lbmass

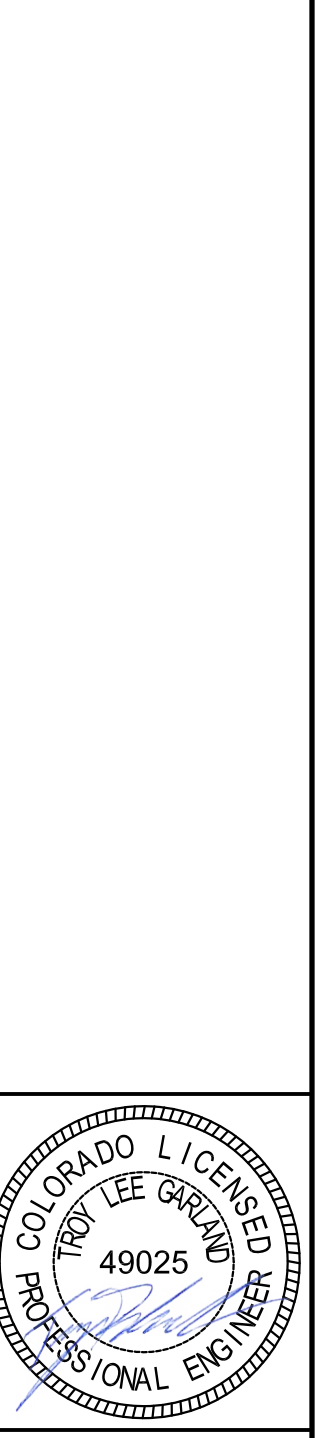


SHEET: 3.3
 PROJECT NAME: BOONDOOS FOOD COURT PARKER
 18706 COTTONWOOD DR. PARKER CO 80138, USA
 JOB NO: 10615
 DESCRIPTION: 8 POLE 2 LEVEL CUSTOM SKY TRAIL@ DISCOVERY WITH (1) 60P SKY RAIL@ AND SUN SHADES
 AUTHOR: ROSTAM DATE: 11/23/2021 REV:

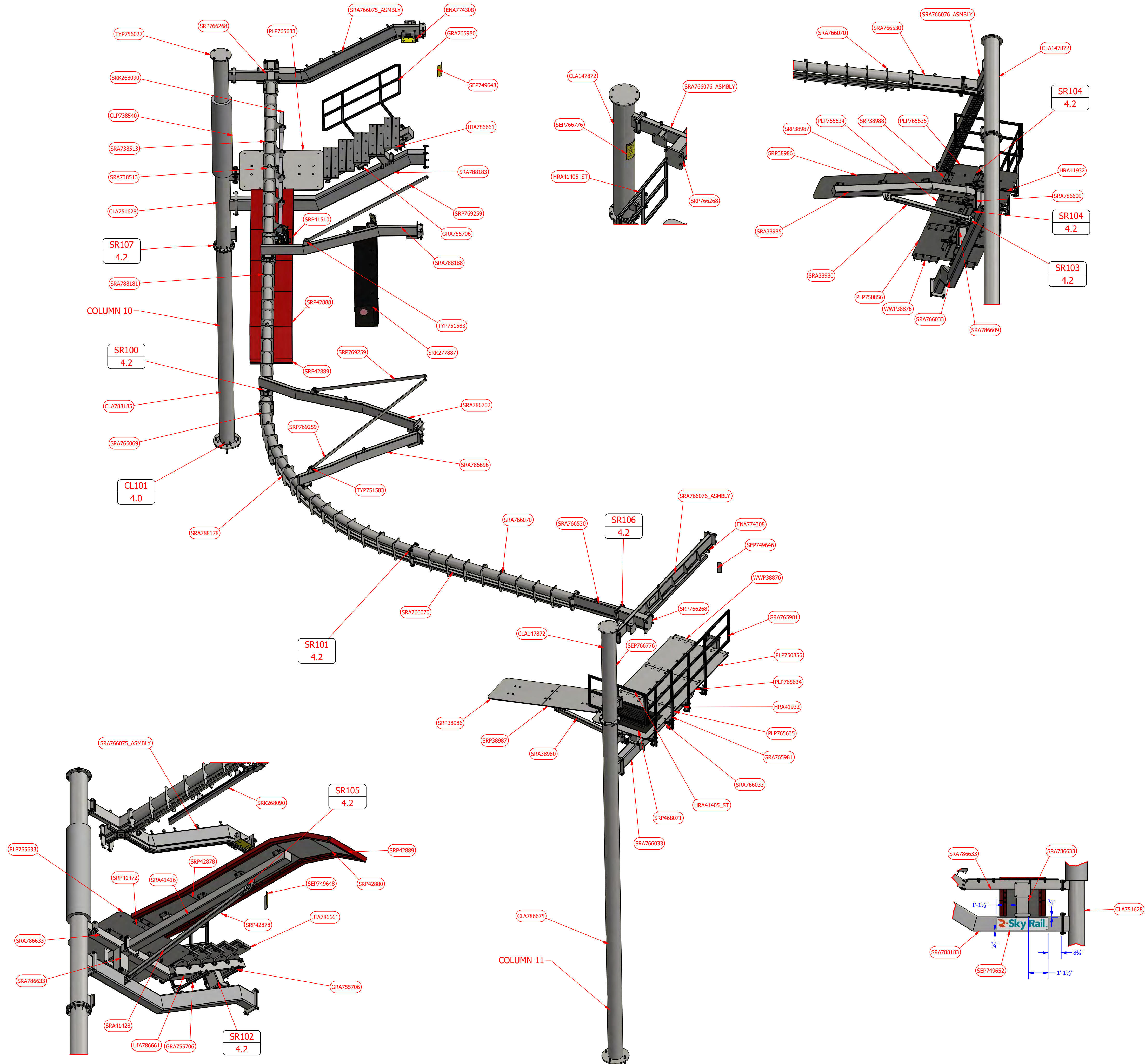


BOONDOOS FOOD COURT PARKER
 18706 COTTONWOOD DR. PARKER CO 80138, USA
 JOB NO: 10615
 DESCRIPTION: 8 POLE 2 LEVEL CUSTOM SKY TRAIL@ DISCOVERY WITH (1) 60P SKY RAIL@ AND SUN SHADES
 AUTHOR: ROSTAM DATE: 11/23/2021 REV:

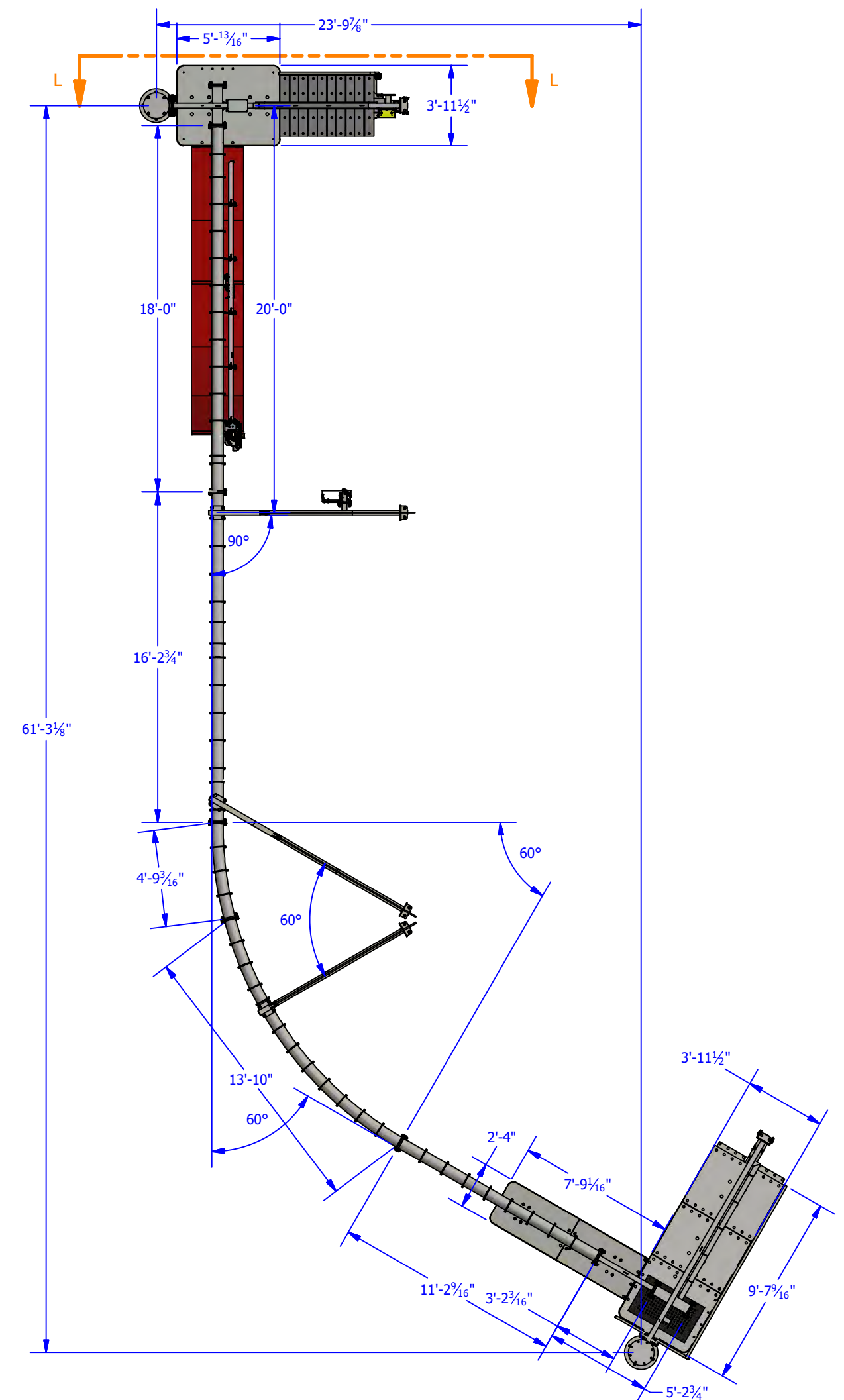
SECOND LEVEL FRAME DETAILS



SHEET: 3.3



SKY RAIL PARTS LIST			
PART NUMBER	ITEM QTY	DESCRIPTION	MASS
CLA147872	1	EXP2SR - TOP COL. TAKE OFF, 3-BAY WELDMENT	406.7849 lbmass
CLA751628	1	EXP2SR - LANDING TOP COLUMN WELDMENT MECHANICAL	759.0074 lbmass
CLA786675	1	10615 - CSR TAKEOFF BOTTOM COLUMN WELDMENT	1244.7112 lbmass
CLA788185	1	10615 - SR LANDING BOTTOM COLUMN SHORTENED WELDMENT R1 MIR	697.9731 lbmass
CLP738540	1	PAD2X14.75X66 ASTM F2440-04 HIGH IMPACT FOAM SKY RAIL COLUMN PAD	5.2873 lbmass
ENA774308	2	TRACK LOCKOUT ASSEMBLY KIT	1.7766 lbmass
GRA755706	2	5635 - TAKE OFF GUARD CROSS ARM WELDMENT	25.5743 lbmass
GRA765980	1	7814 - CSR LANDING GR WELDMENT	98.1344 lbmass
GRA765981	1	7814 - CSR TAKEOFF GR WELDMENT	170.7837 lbmass
HRA41405_ST	1	EXP2SR - TAKE OFF ENT GUARD COL. SIDE WELDMENT	77.2419 lbmass
HRA41932	4	EXP2SR - TAKE OFF GUARD CROSS ARM WELDMENT	28.0807 lbmass
PLP750856	1	PLT1/2"X47 1/2"X38 3/8" A36 DST - LANDING W/W PLATE	256.5994 lbmass
PLP765633	1	PLT1/2"X60 13/16"X47 1/2" A36 7814 - CSR LANDING PLATFORM 1	405.0073 lbmass
PLP765634	1	PLT1/2"X47 1/2"X35 3/8" A36 7814 - CSR TAKEOFF PLATE 1	236.4157 lbmass
PLP765635	1	PLT1/2"X47 1/2"X41 3/8" A36 7814 - CSR TAKEOFF PLATFORM 2	275.3643 lbmass
SEP749646	1	ENTER STICKER_R3	.0010 lbmass
SEP749648	1	WRONG WAY STICKER_R4	.0022 lbmass
SEP749652	1	SKY RAIL STICKER_R1	.9358 lbmass
SEP766776	1	P10 NO RUNNING STICKER 8X10 - MECHANICAL BRAKE	.0266 lbmass
SRA38980	1	EXP2SR - TAKE OFF RAMP KNEE BRACE WELDMENT	42.1576 lbmass
SRA38985	1	EXP2SR - TAKE OFF RAMP BEAM WELDMENT	212.6938 lbmass
SRA41416	1	EXP2SR - LANDING RAMP BEAM WELDMENT	281.1911 lbmass
SRA41428	1	EXP2SR - LANDING RAMP KNEE BRACE WELDMENT	67.2207 lbmass
SRA738513	1	DST - SR END WELDMENT	693.9972 lbmass
SRA766033	1	7814 - CSR TAKEOFF CROSS BEAM WELDMENT	566.7212 lbmass
SRA766069	1	7814 - CSR SHORT SECTION WELDMENT	205.4378 lbmass
SRA766070	1	7814 - CSR TAKEOFF SECTION WELDMENT	428.1023 lbmass
SRA766075_ASMBLY	1	7814 - CSR LANDING OVERHEAD ASSEMBLY	436.8660 lbmass
SRA766076_ASMBLY	1	7814 - CSR TAKEOFF OVERHEAD ASSEMBLY	452.7507 lbmass
SRA766530	1	7041 - SR REVERSIBLE OH TAKE OFF STUB - MECHANICAL WELDMENT	118.2893 lbmass
SRA786609	1	7814 - CSR TAKEOFF PLATFORM SUPPORT WELDMENT	495.0180 lbmass
SRA786633	1	10615 - CSR LANDING PLATFORM SUPPORT WELDMENT	295.8796 lbmass
SRA786696	1	10615 - CSR HANGER ARM 1 WELDMENT	151.9385 lbmass
SRA786702	1	10615 - CSR HANGER ARM 2 WELDMENT	189.5673 lbmass
SRA788178	1	10615 - CSR MAIN SECTION WELDMENT_R1 MIRROR	562.6257 lbmass
SRA788181	1	10615 - CSR STRAIGHT SECTION WELDMENT_R1 MIR	650.6611 lbmass
SRA788183	1	10615 - CSR LANDING CROSS BEAM WELDMENT_R1 MIR	576.0217 lbmass
SRA788188	1	10615 - CSR HANGER ARM 3 WELDMENT_R1 MIR	182.1020 lbmass
SRK268090	1	SR4 - COMPLETE MECH BRAKE ASSEMBLY_R1	105.6383 lbmass
SRK277887	1	Counterweight Assembly_R2	116.5373 lbmass
SRP38986	1	PLT1/2"X47 7/8"X28" A36 TAKE OFF RAMP PLATE	187.8815 lbmass
SRP38987	1	PLT0.5X47.875X28 A36 TAKE OFF RAMP PLATE	188.5583 lbmass
SRP38988	1	PLT3/8"X27"X5 13/16" A36 TAKE OFF RAMP LAP PLATE	16.4870 lbmass
SRP41472	1	PLT3/8"X21"X7 7/16" A36 EXP2SR - LANDING RAMP FORMED LAP SPLICE	16.3316 lbmass
SRP41510	1	PAD1.25X80.75X30.625 ASTM F2440-04 HIGH IMPACT FOAM LANDING RAMP SLOPE PAD	3.7198 lbmass
SRP42878	1	PLT1/2"X80 13/16"X28" A36 EXP2SR - LANDING RAMP PLATE 2	317.4690 lbmass
SRP42880	1	PLT1/2"X92 15/16"X28" A36 EXP2SR - LANDING RAMP PLATE 1	365.7513 lbmass
SRP42888	1	PAD1.25X94.438X30.625 ASTM F2440-04 HIGH IMPACT FOAM LANDING RAMP SLOPE PAD	4.2464 lbmass
SRP42889	1	PAD1 1/4"X11"X2 9/16" ASTM F2440-04 HIGH IMPACT FOAM LANDING RAMP EDGE PAD	2.232 lbmass
SRP468071	1	BLACK COMFORT DRAINAGE MAT 2' X 3.2'	77.1659 lbmass
SRP766268	2	PLT1/4"X12 1/4"X10 1/2" A36 7041 - SR TO OH CAP PLATE	8.4846 lbmass
SRP769259	3	PLT3/4"X106 1/8"X2 1/8" A36 EXP2SR - SKY RAIL TENSION BAR	47.6009 lbmass
TYP751583	3	STEEL CLEVIS PIN WITH COTTER PIN, 3/4" DIA, 2 1/2" LONG	.0500 lbmass
TYP756027	1	PLT1/4"X15 1/4"X15 1/4" A36 EXP2 - COLUMN SPLICE CAP PLATE	12.8194 lbmass
UIA786661	1	10615 - CSR LANDING STAIRS ASSEMBLY	533.0569 lbmass
WWP38876	6	PLT0.375X18X6.25 A36 IHANGWALK - COL PLAT LAP PLATE	11.6633 lbmass



SHEET: 3.4

PROJECT NAME: BOONDOCKS FOOD COURT PARKER
18706 COTTONWOOD DR. PARKER CO 80138, USA

JOB NO: 10615
DESCRIPTION: 8 POLE 2 LEVEL CUSTOM SKY TRAIL® DISCOVERY WITH (1) 60P SKY RAIL® AND SUN SHADES

AUTHOR: ROSTAM DATE: 11/23/2021 REV:

BOONDOCKS FOOD COURT PARKER

ADVANTURE PRODUCTS
277 North St. Alhambra, CA 91801
www.advanture.com

SKY RAIL FRAME DETAILS

COLORADO LICENSED PROFESSIONAL ENGINEER
TROY LEE CARLSON
49025

SHEET: 3.4

LEVEL 1 PARTS LIST			
PART NUMBER	ITEM QTY	DESCRIPTION	MASS
CLA755186	1	4583 - SHORT SAIL POST WELDMENT	58.6078
CLA759021	1	6921 - TALL SAIL POST WITH SHORT CONN RING WELDMENT	123.9424
CLA786772	1	10615 - SAIL POST SR SUN SHADE WELDMENT	107.8653
CLA786910	1	10615 - TALL SAIL POST WITH SHORT CONN RING AND MOVED WIRE HOLE WELDMENT	122.8612
CLA786916	1	10615 - TALL SAIL POST WITH SHORT CONN RING AND MOVED WIRE HOLE120D WELDMENT	122.8612
CLP41689	4	PLT1/4"X11 1/8"X11 1/8" A36 P6 COLUMN SPLICE PLATE CAP	6.6798
SSP758951	7	HDPE COMMERCIAL 95 SHADE 232X204.125	63.6406
SSP788197	1	DST SR TRIANGLE SHADE 224.625X144.6875	53.6201

SHEET: 3.5

PROJECT NAME: BOONDOCKS FOOD

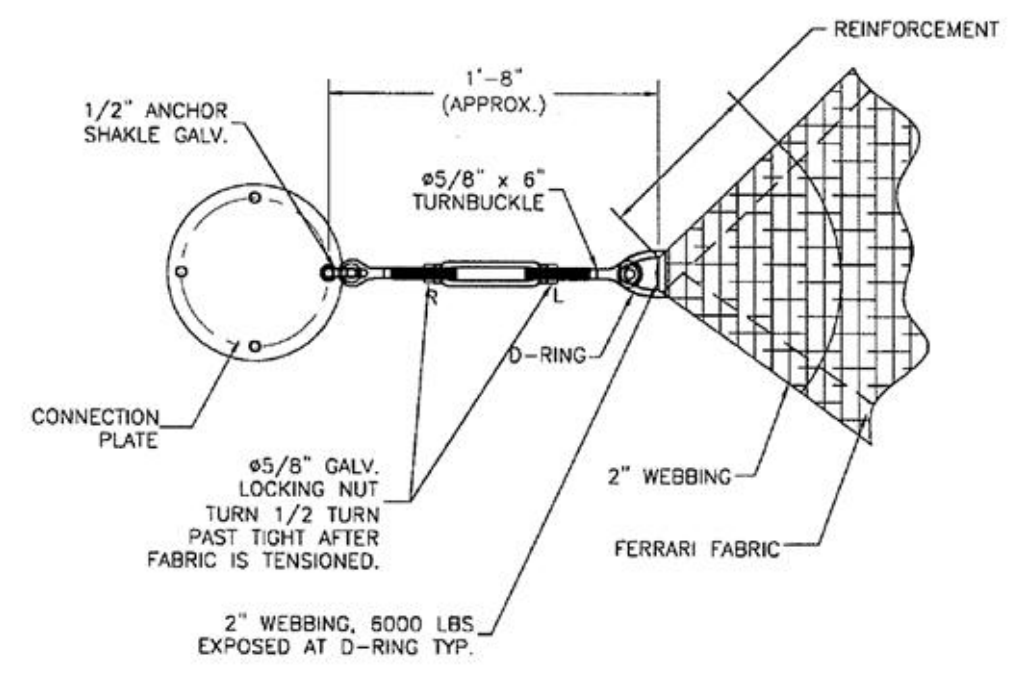
SITE ADDRESS: BOONDOCKS FOOD/IN-PARKER 18706 COTTONWOOD DR. PARKER CO 80138, USA

JOB NO: 10615

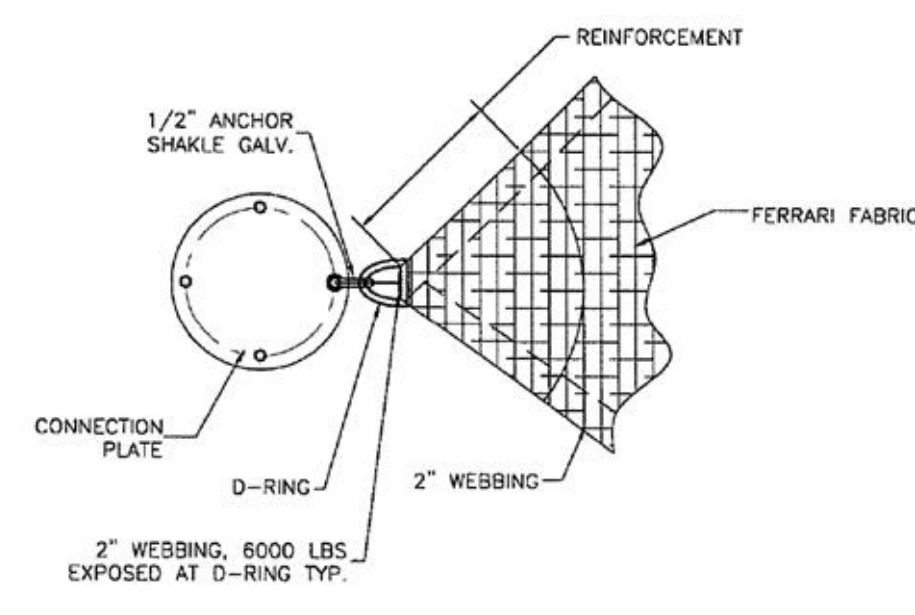
DESIGNER: TROY LEE CARLSON & EVAN - PARKER

DESCRIPTION: 8 POLE 2 LEVEL CUSTOM SKY TRAIL@ DISCOVERY WITH (1) 60P SKY RAIL@ AND SUN SHADES

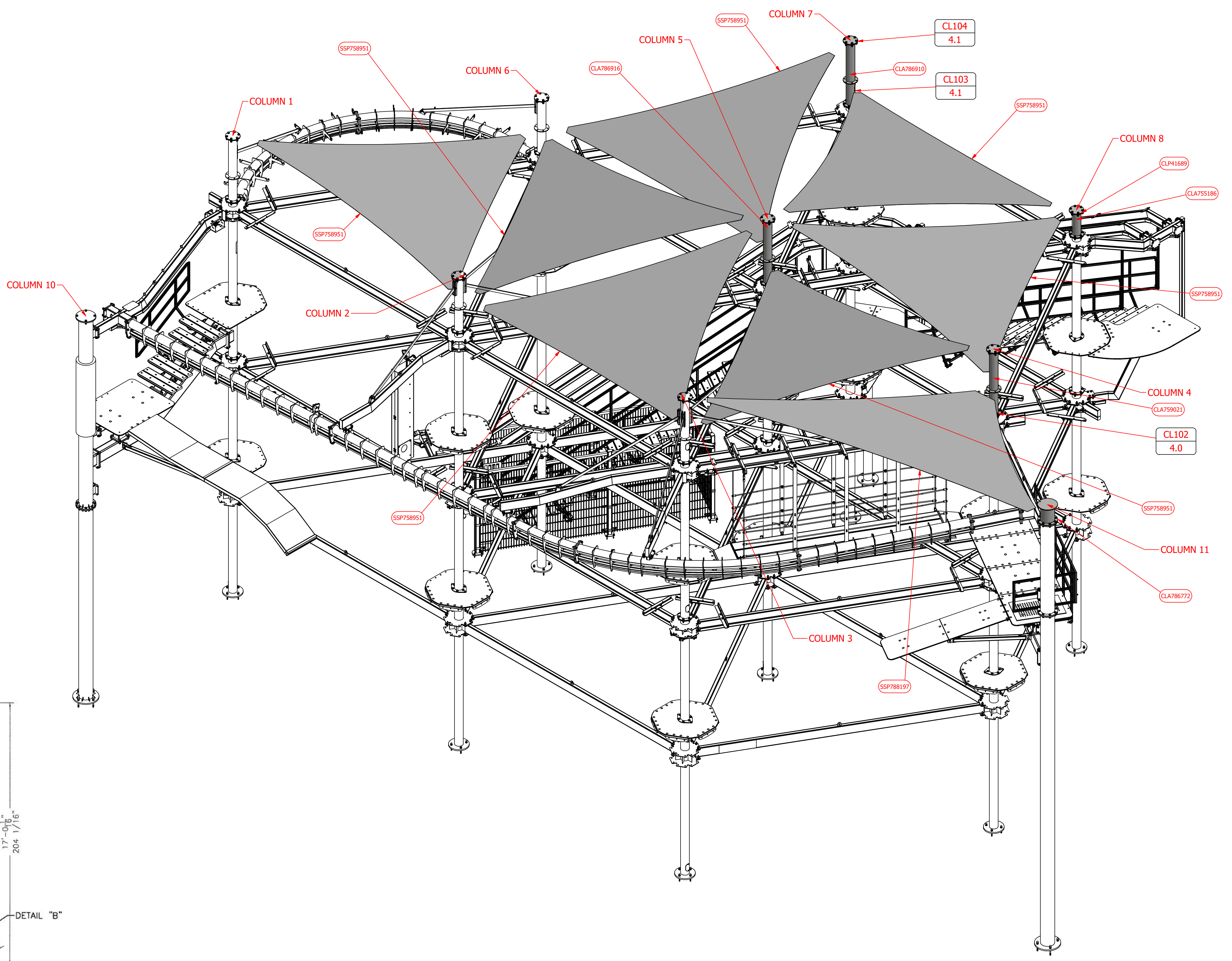
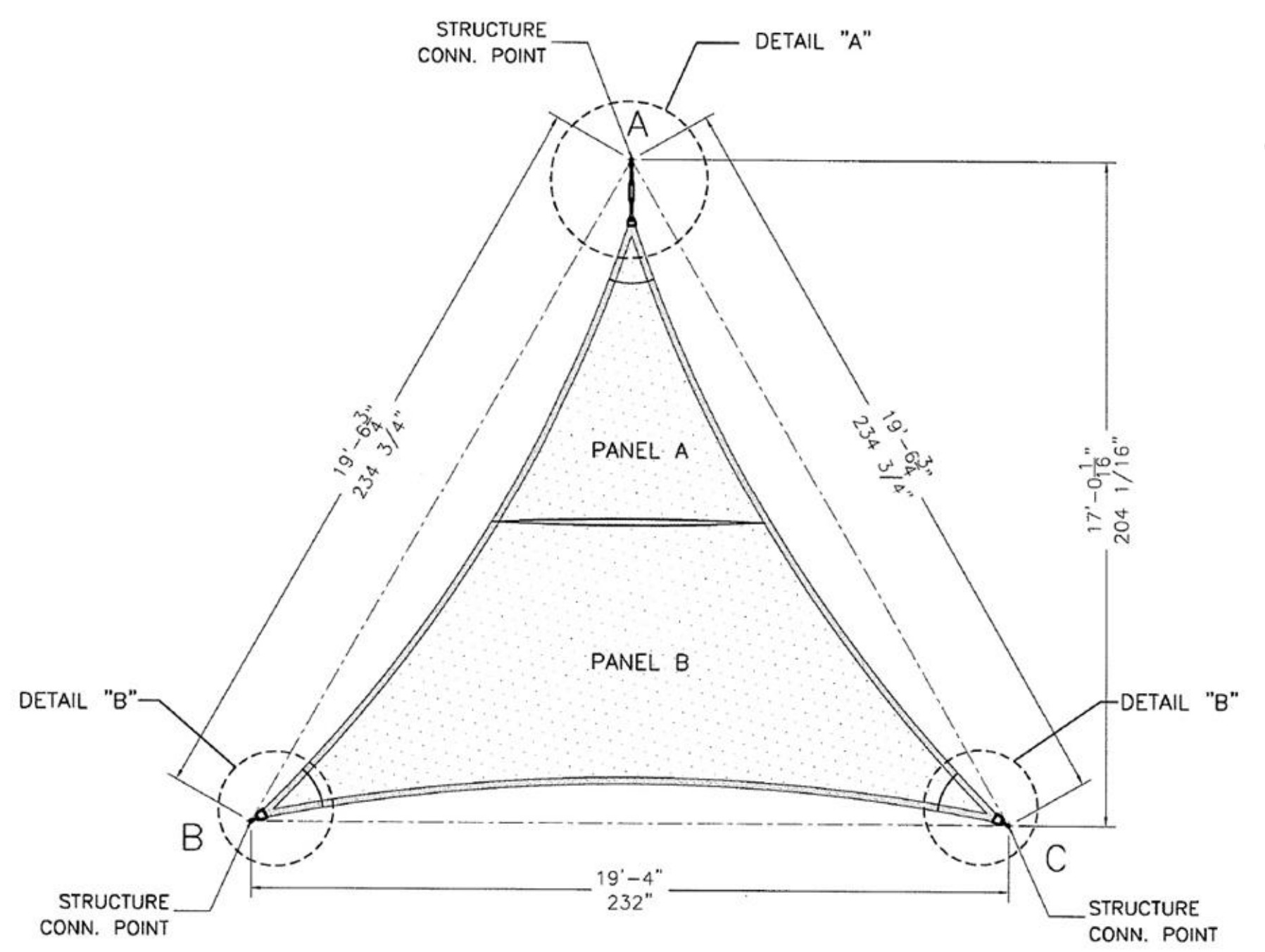
AUTHOR: ROSTAM DATE: 11/23/2021 REV:



1 TURNBUCKLE CORNER CONNECTION DETAIL A
SCALE: NTS = 1"=0"
RE DWG: N/A

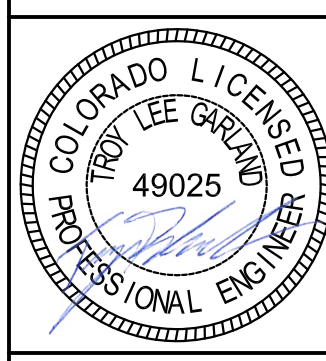


2 D-RING CORNER CONNECTION DETAIL B
SCALE: NTS = 1"=0"
RE DWG: N/A

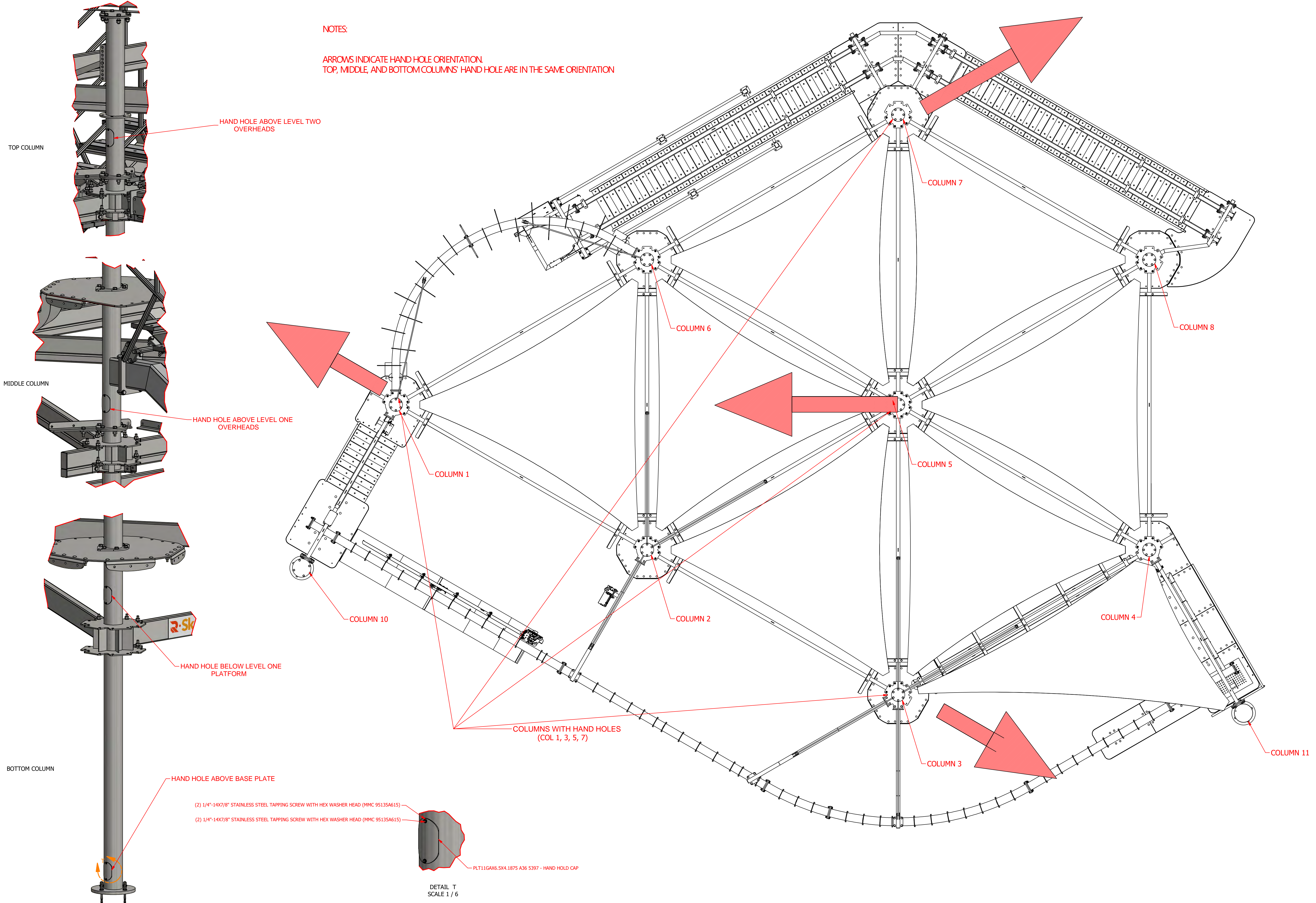


ADVANTURE PRODUCTS
277 North St. Aigent, MI 48610
www.adventureproducts.com

SUNSHADES FRAME DETAILS



SHEET: 3.5



NOTES:

ARROWS INDICATE HAND HOLE ORIENTATION.
TOP, MIDDLE, AND BOTTOM COLUMNS' HAND HOLE ARE IN THE SAME ORIENTATION

HAND HOLE ABOVE LEVEL TWO OVERHEADS

HAND HOLE ABOVE LEVEL ONE OVERHEADS

HAND HOLE BELOW LEVEL ONE PLATFORM

HAND HOLE ABOVE BASE PLATE

(2) 1/4"-14X7/8" STAINLESS STEEL TAPPING SCREW WITH HEX WASHER HEAD (MMC 95135A615)

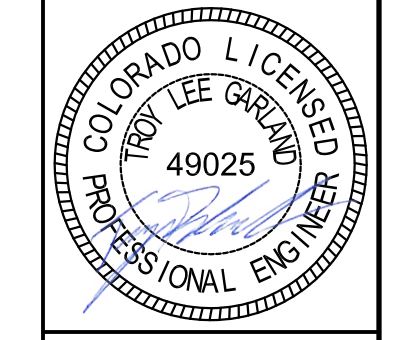
(2) 1/4"-14X7/8" STAINLESS STEEL TAPPING SCREW WITH HEX WASHER HEAD (MMC 95135A615)

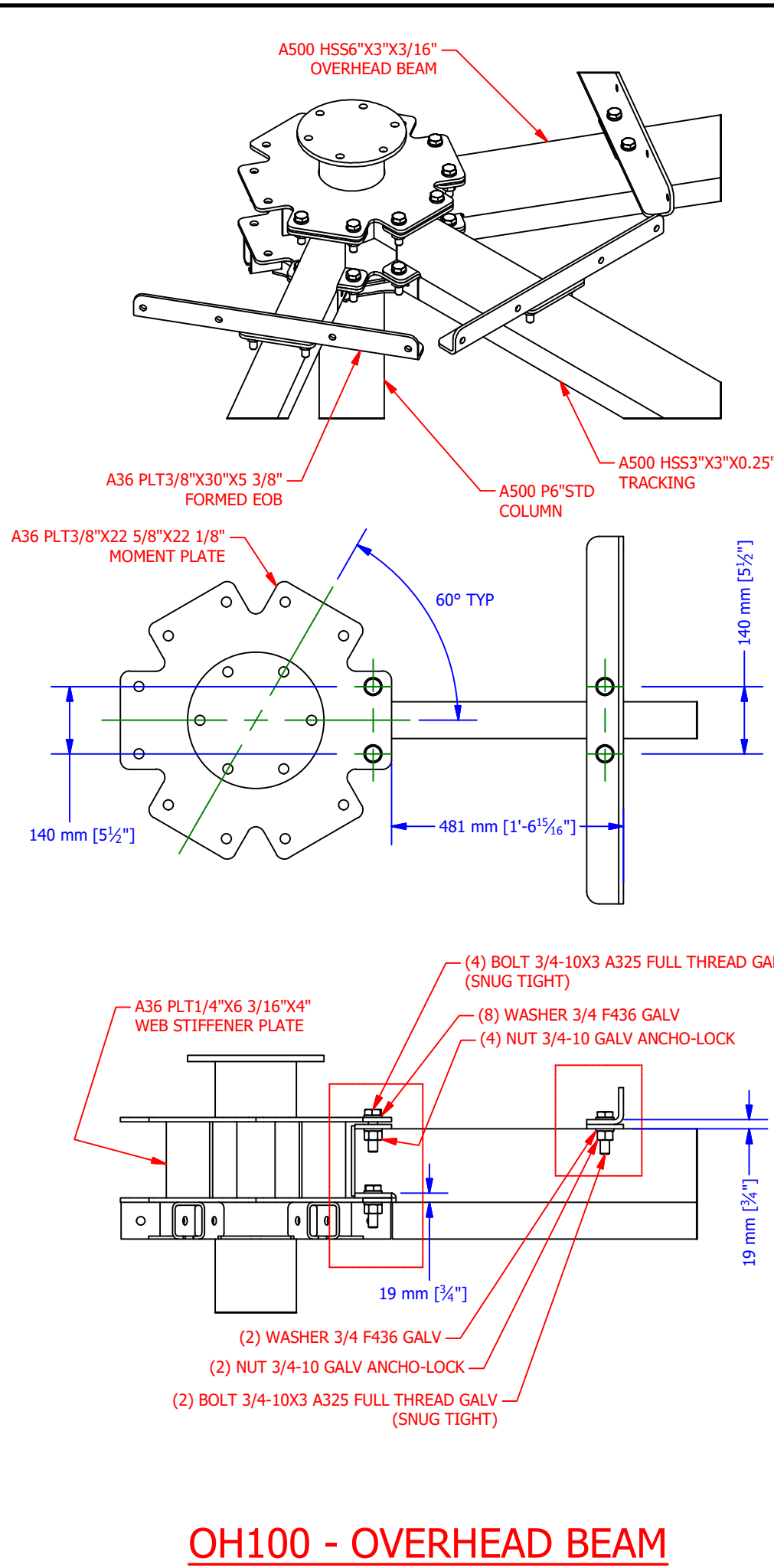
PLT11GAx6.5x4.1875 A36 5397 - HAND HOLD CAP

DETAIL T
SCALE 1 / 6

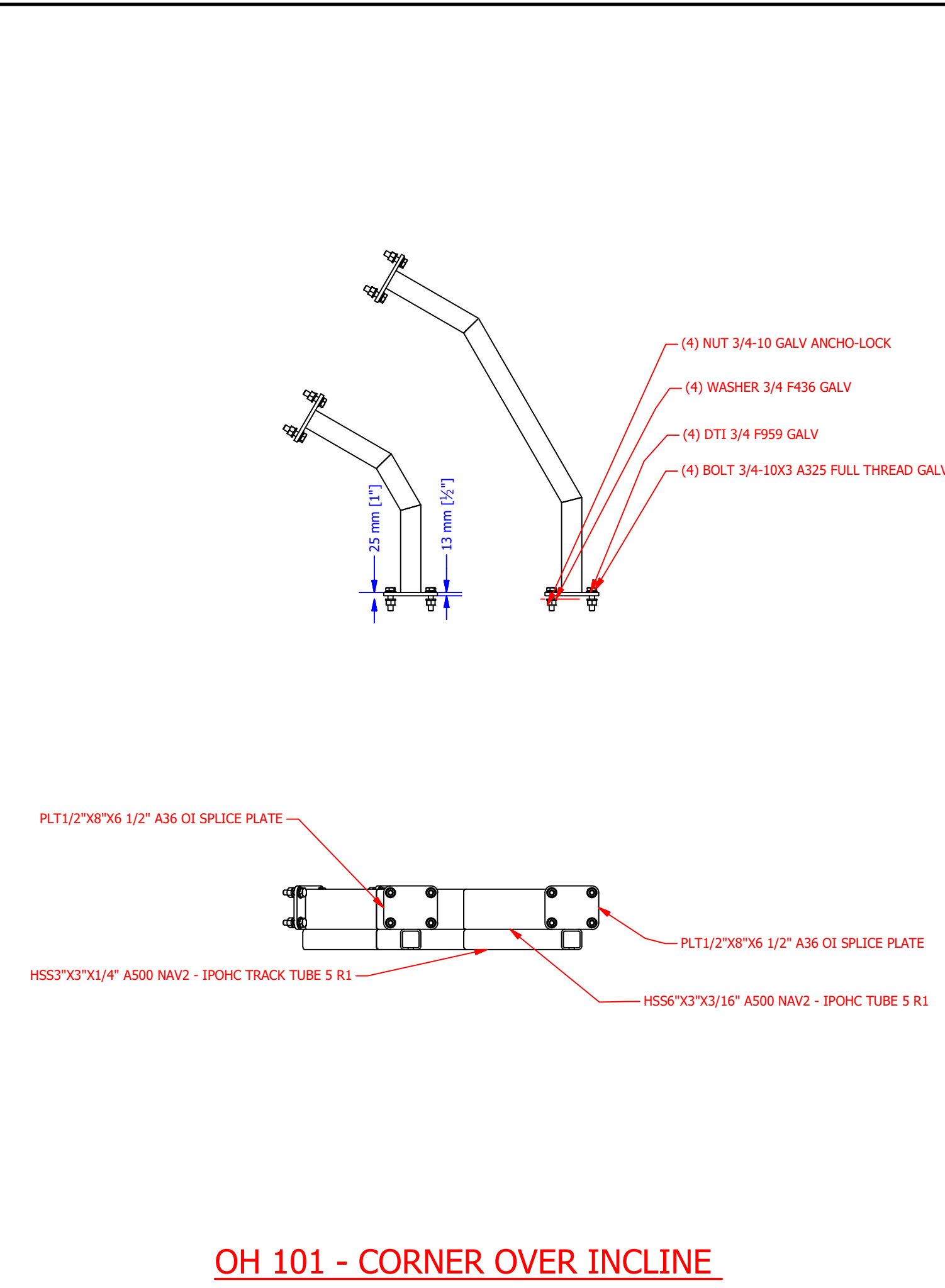


COLUMNS WITH HAND HOLES DETAILS

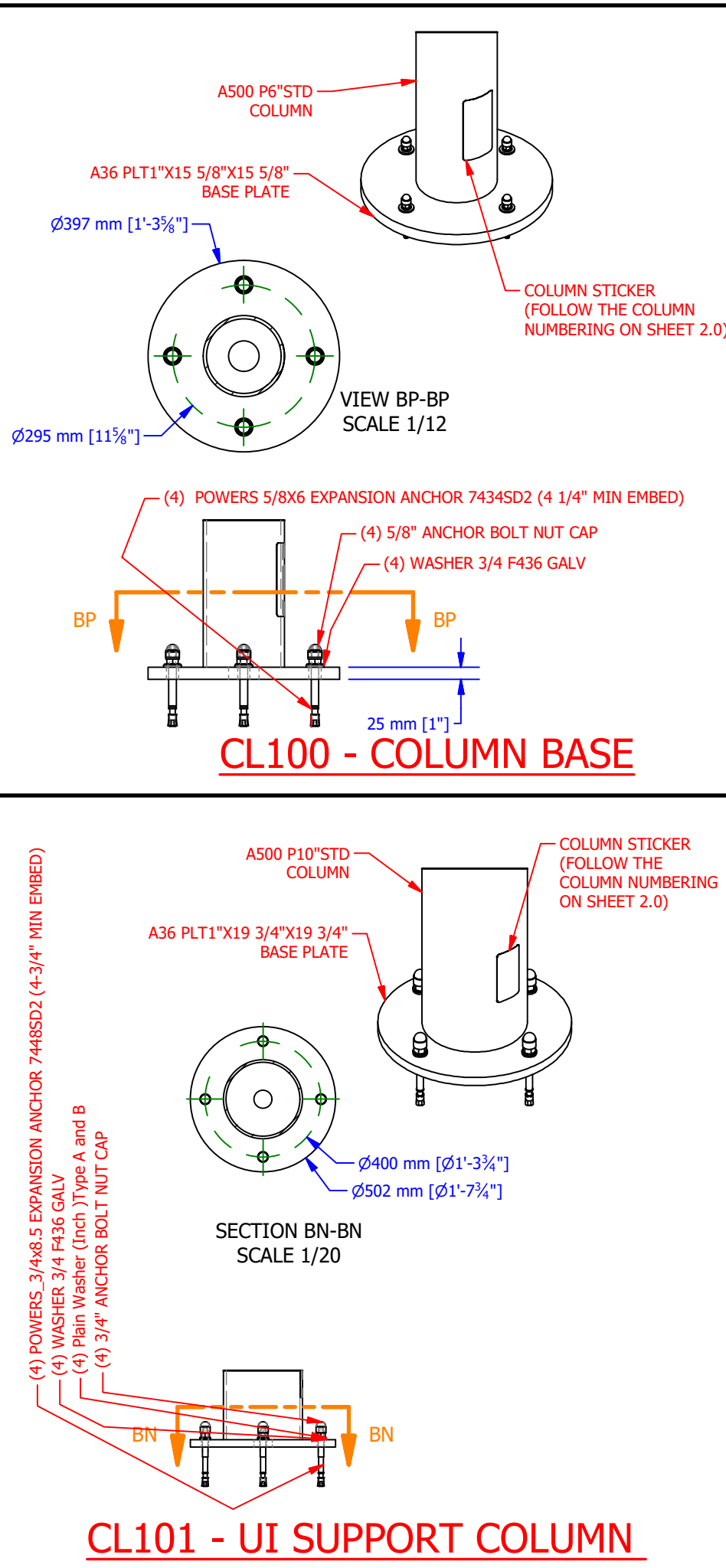




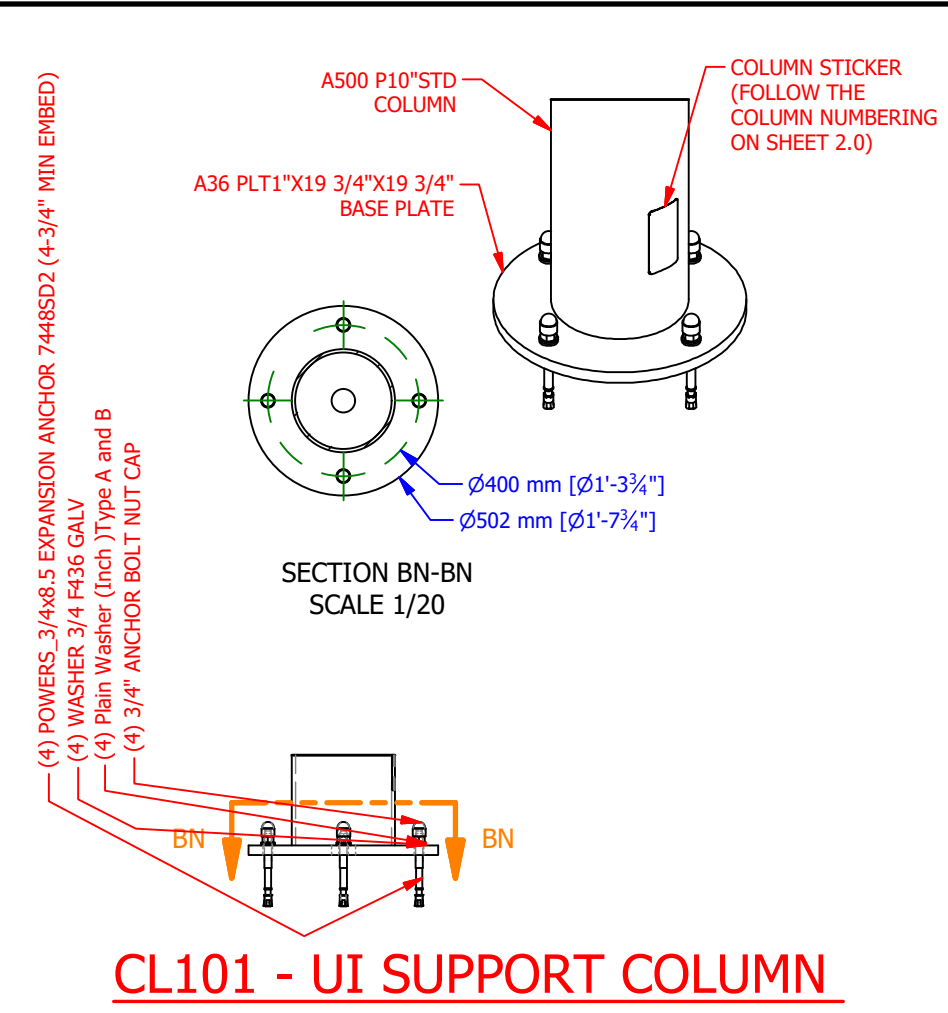
OH100 - OVERHEAD BEAM



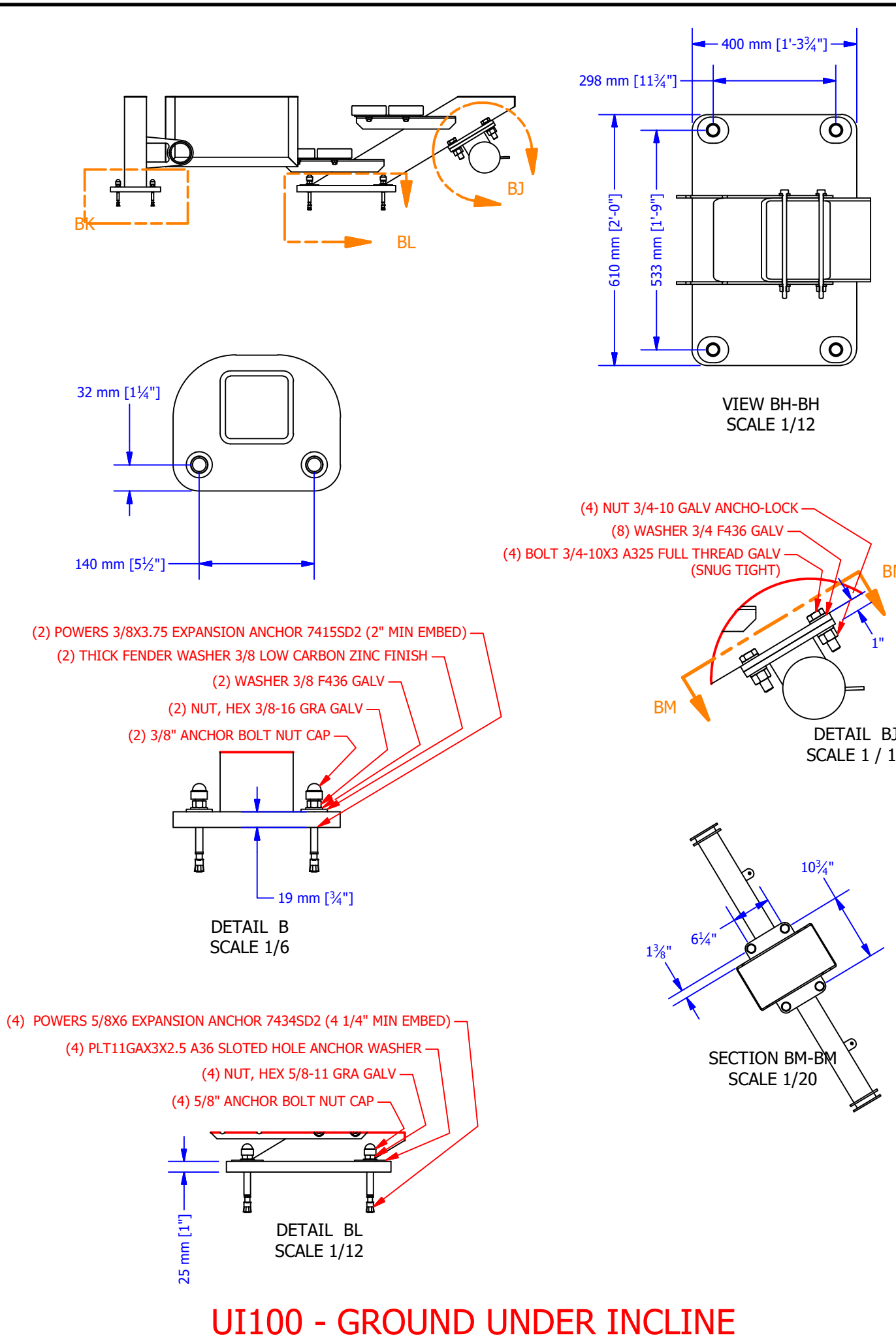
OH 101 - CORNER OVER INCLINE



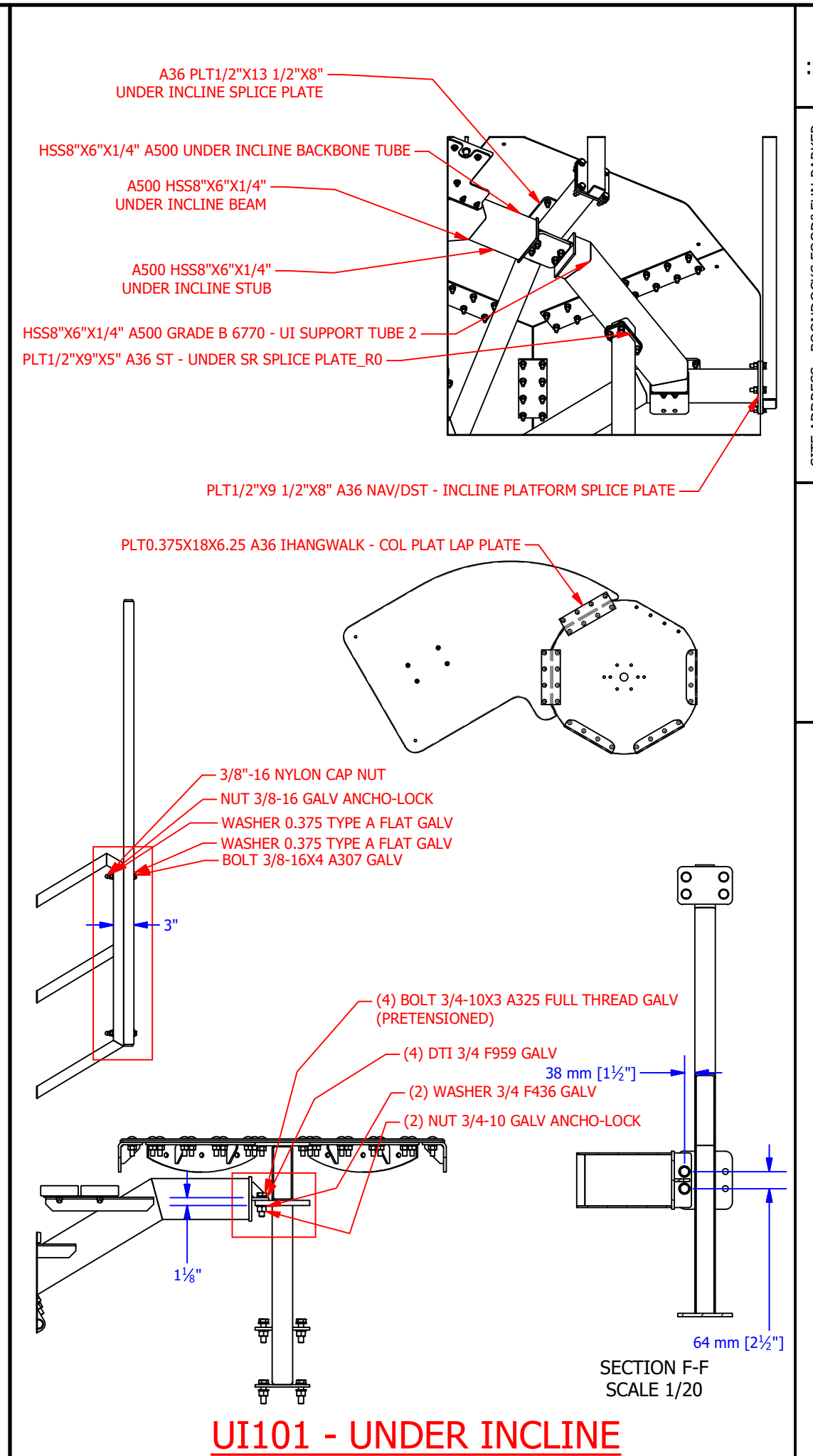
CL100 - COLUMN BASE



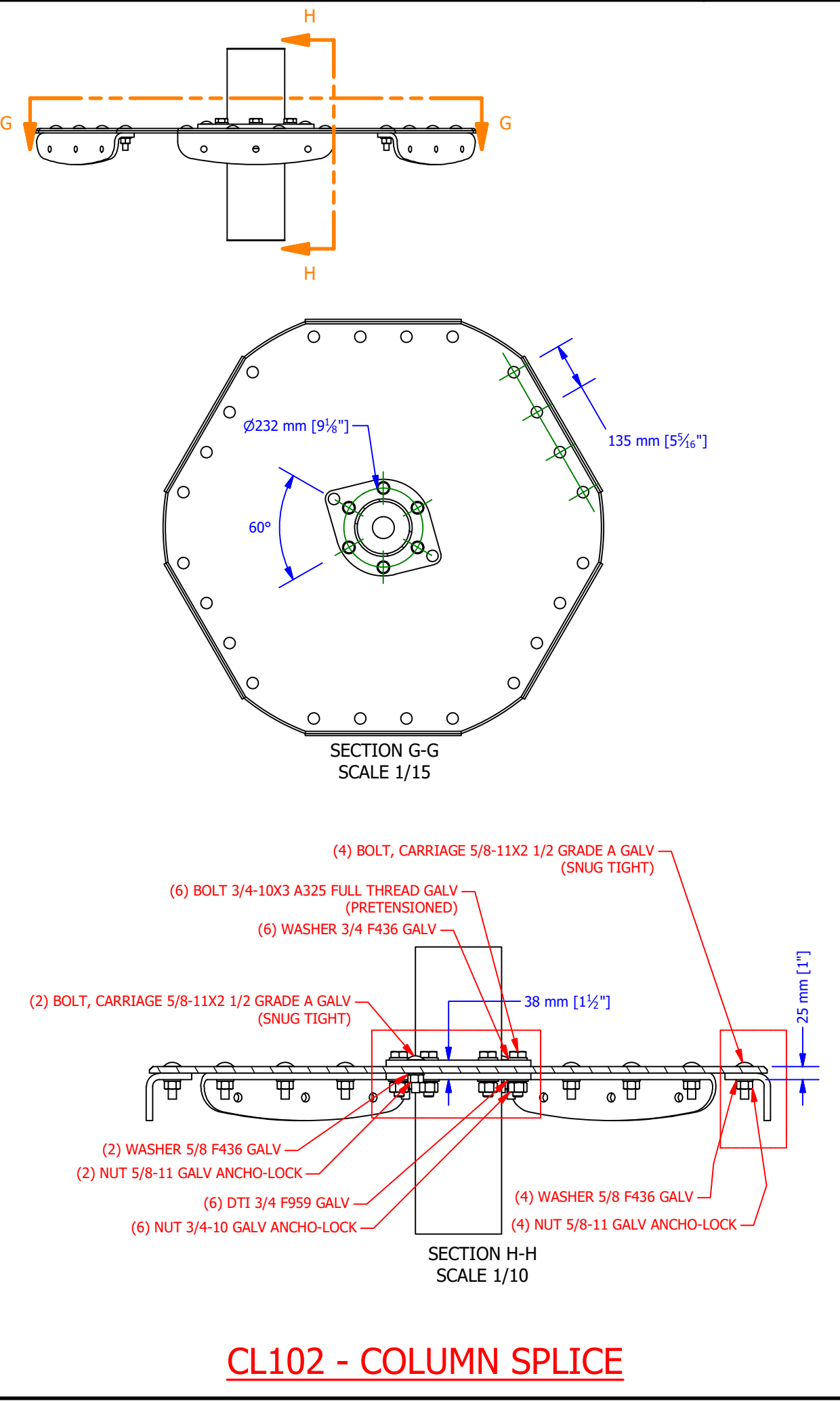
CL101 - UI SUPPORT COLUMN



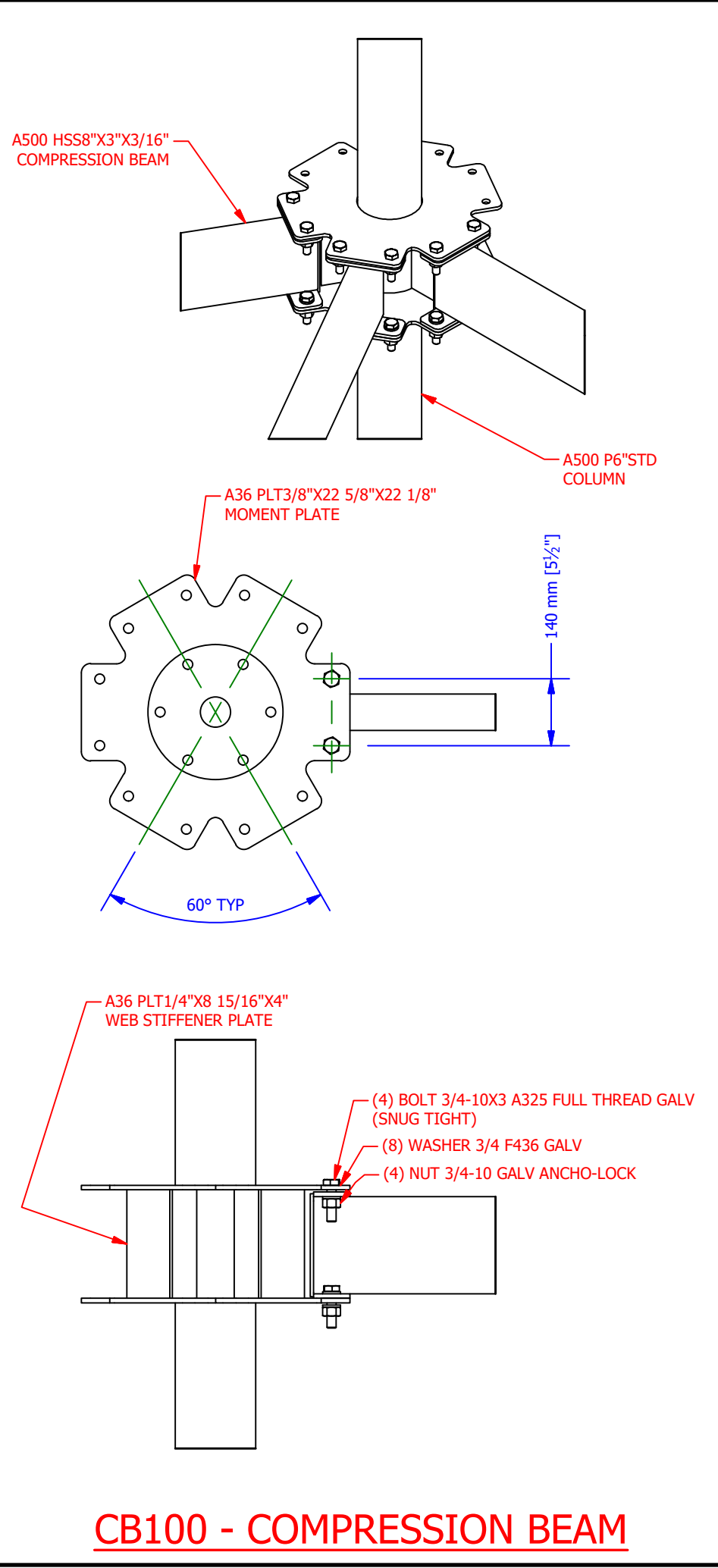
UI100 - GROUND UNDER INCLINE



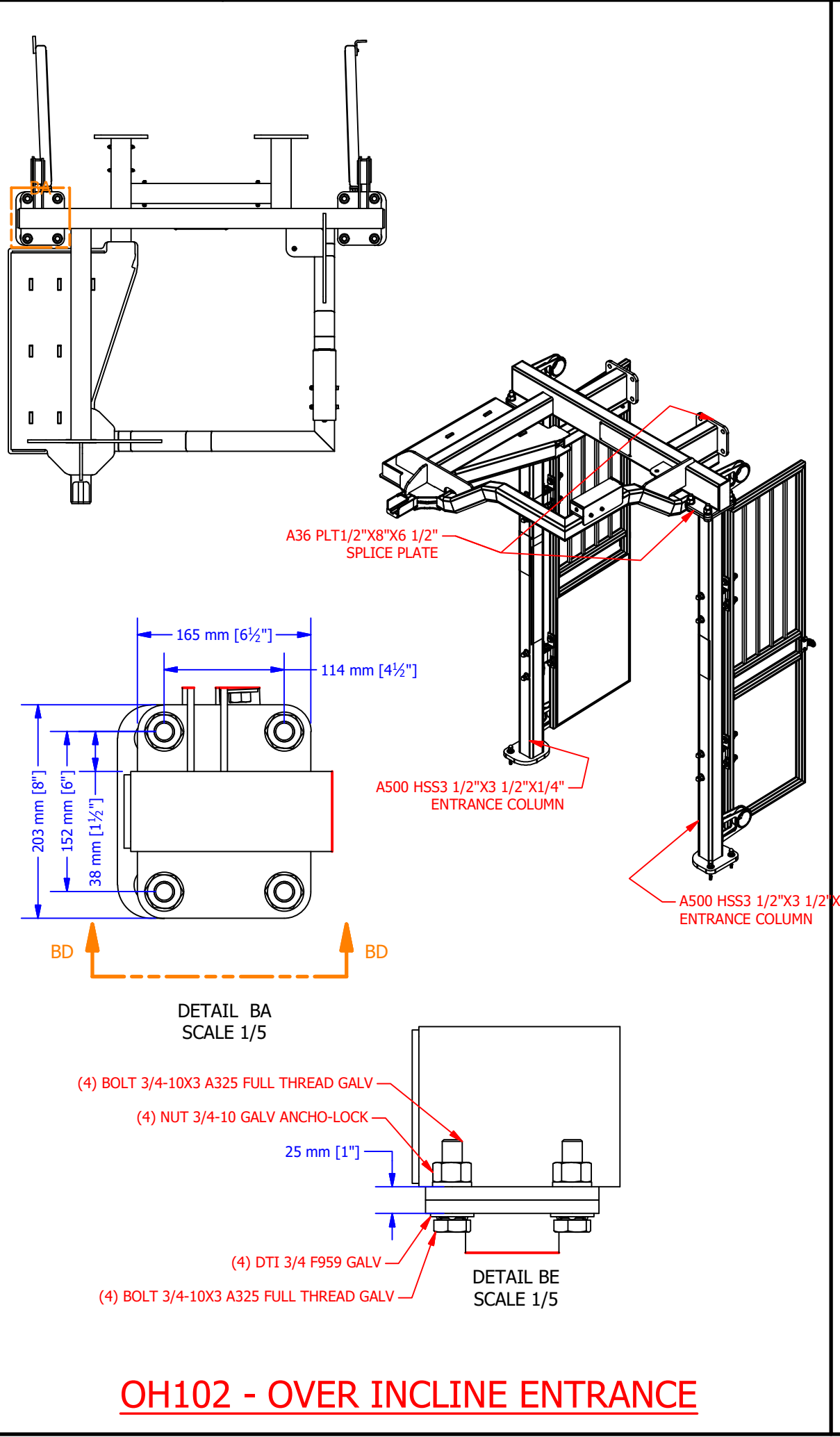
UI101 - UNDER INCLINE



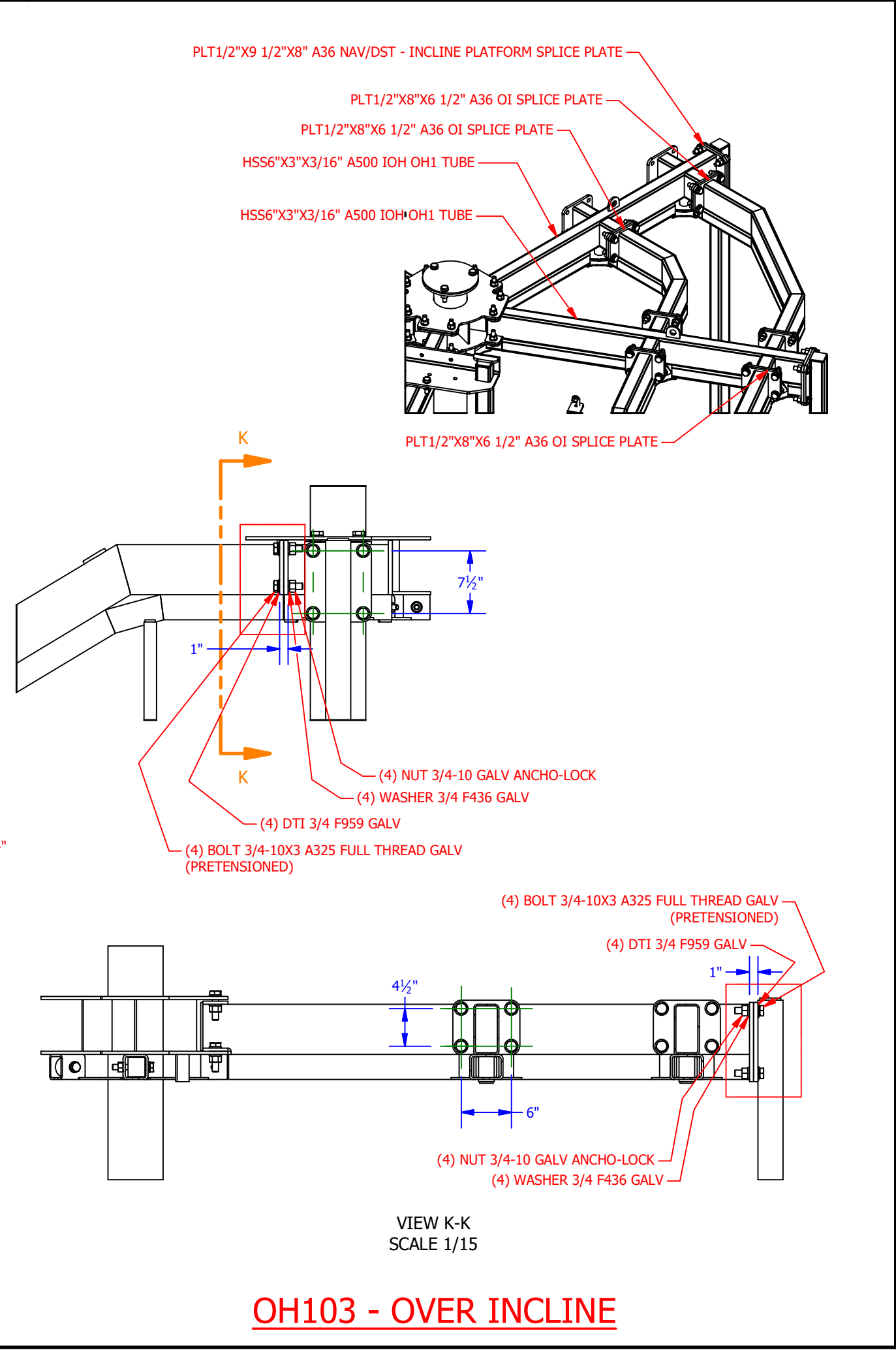
CL102 - COLUMN SPLICE



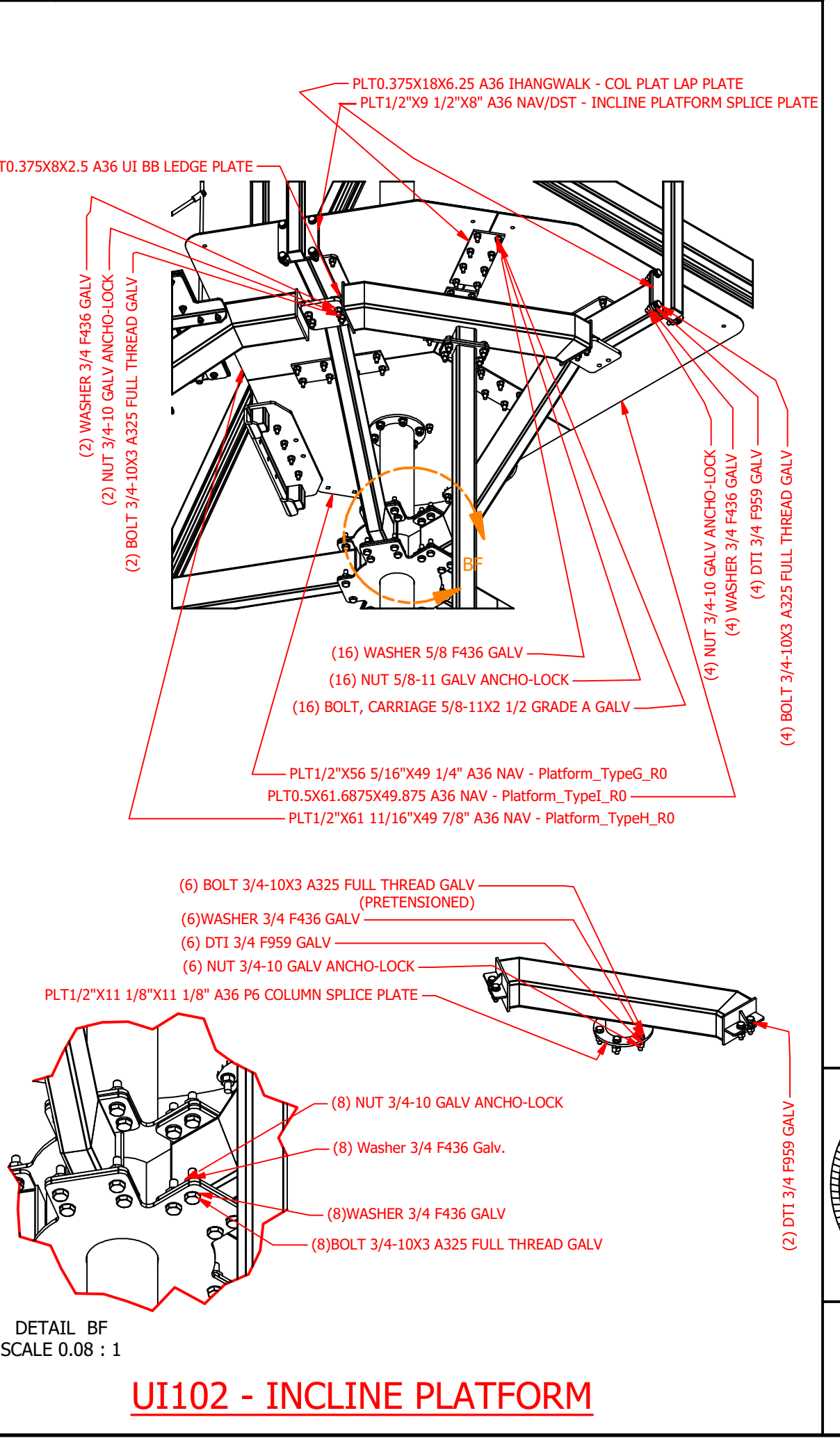
CB100 - COMPRESSION BEAM



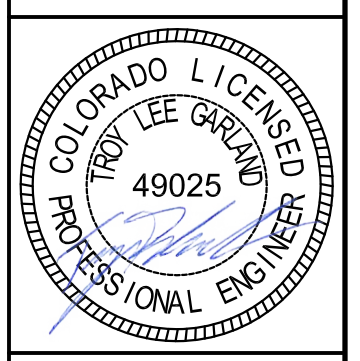
OH102 - OVER INCLINE ENTRANCE

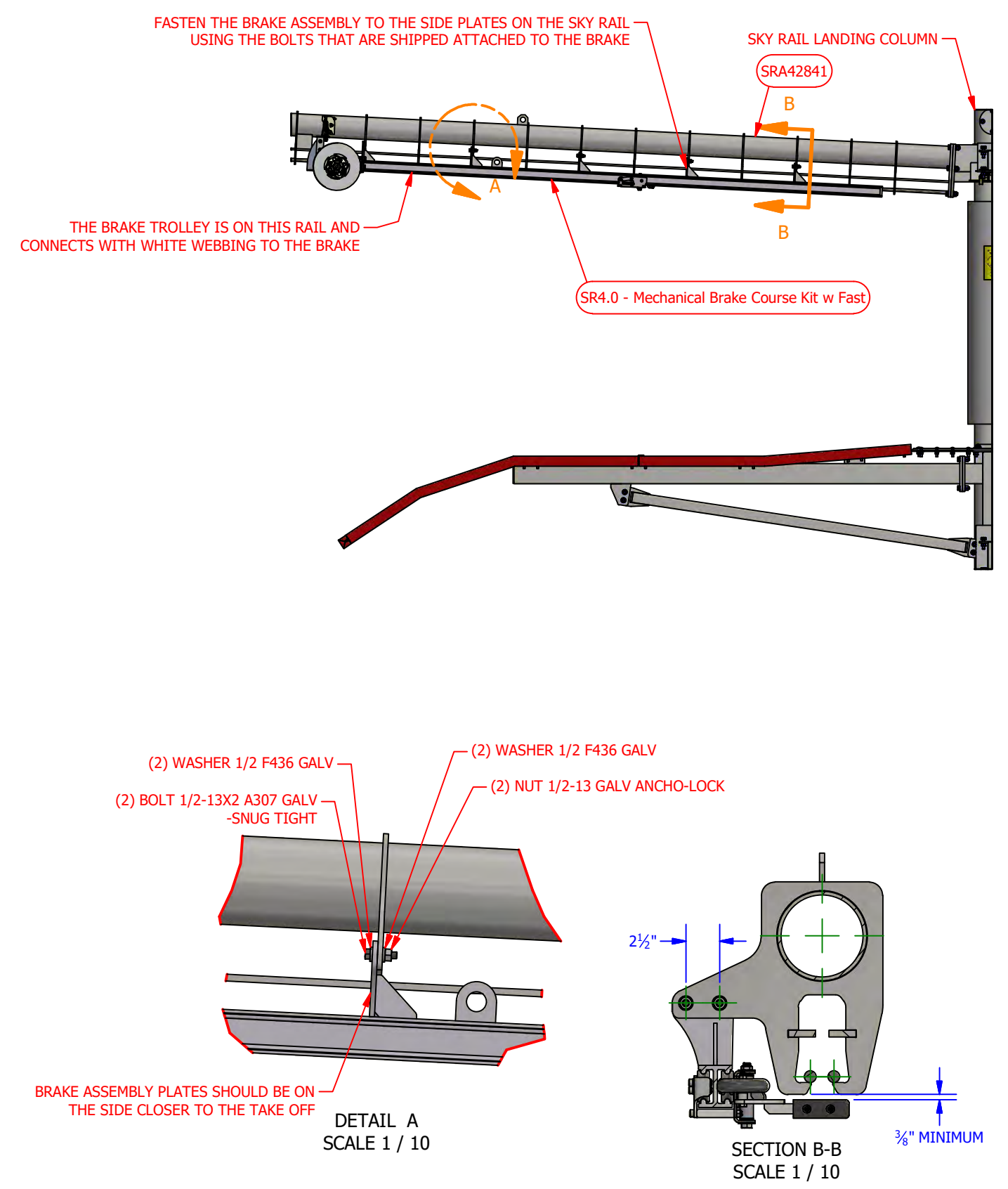


OH103 - OVER INCLINE

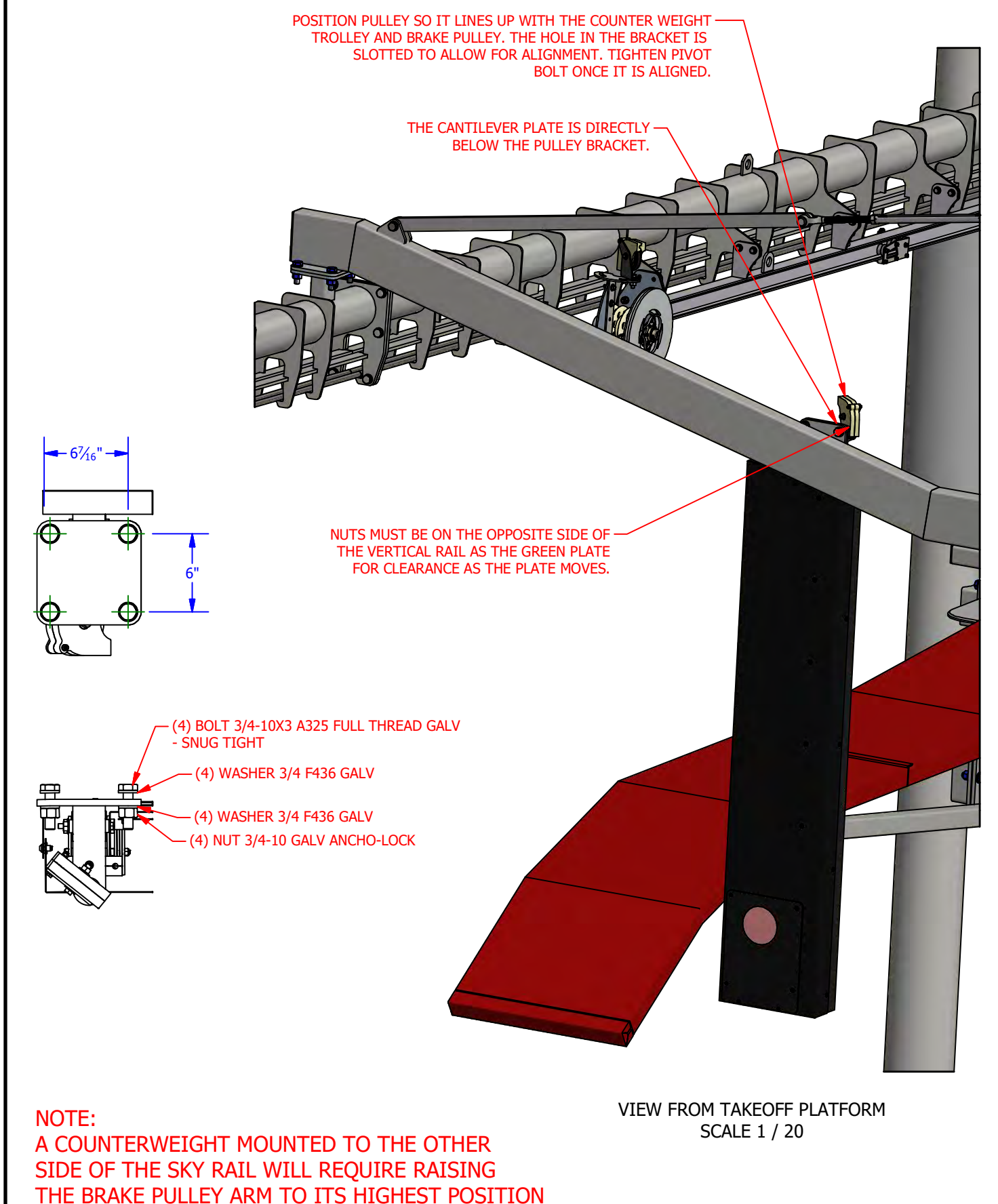


UI102 - INCLINE PLATFORM

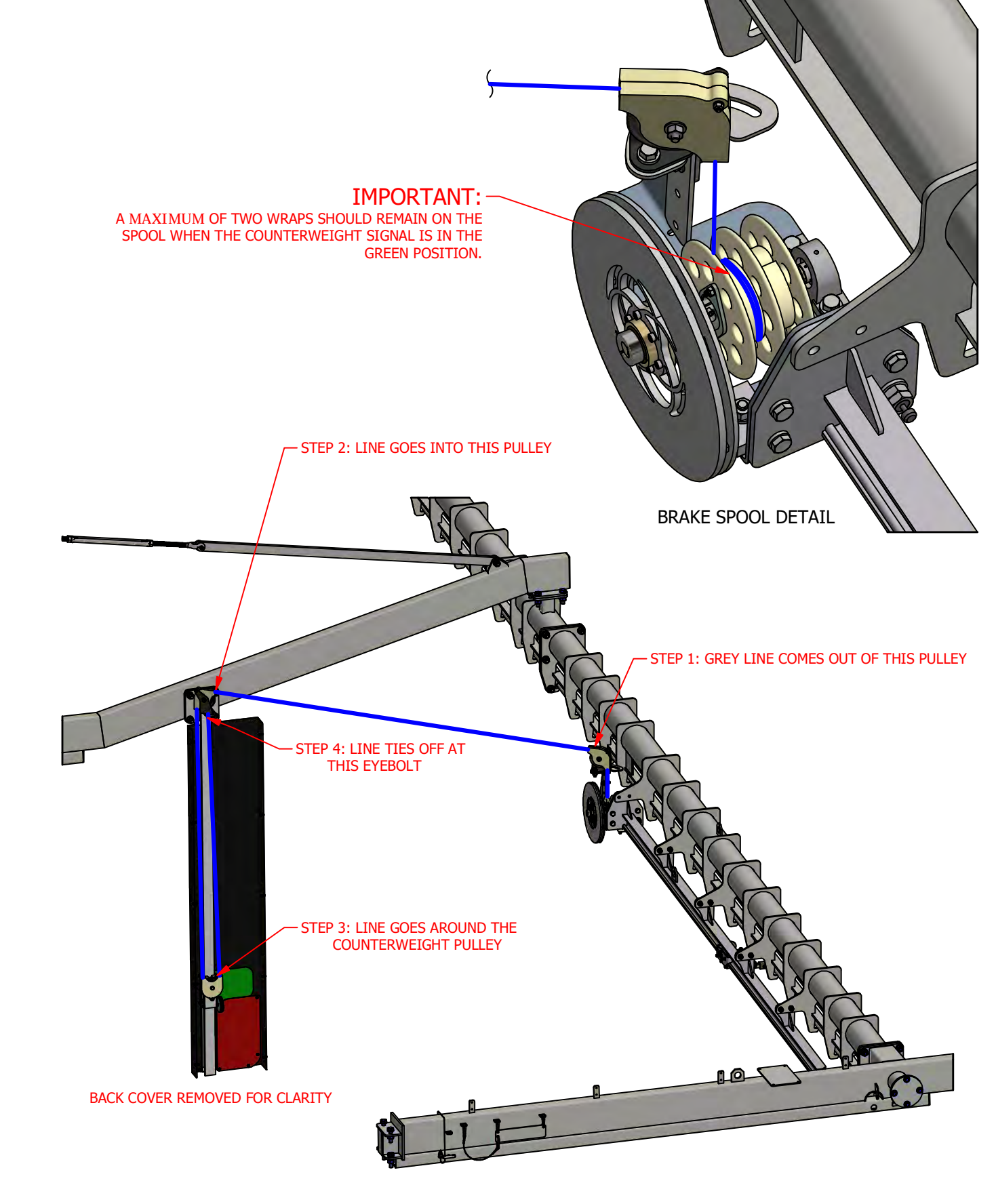




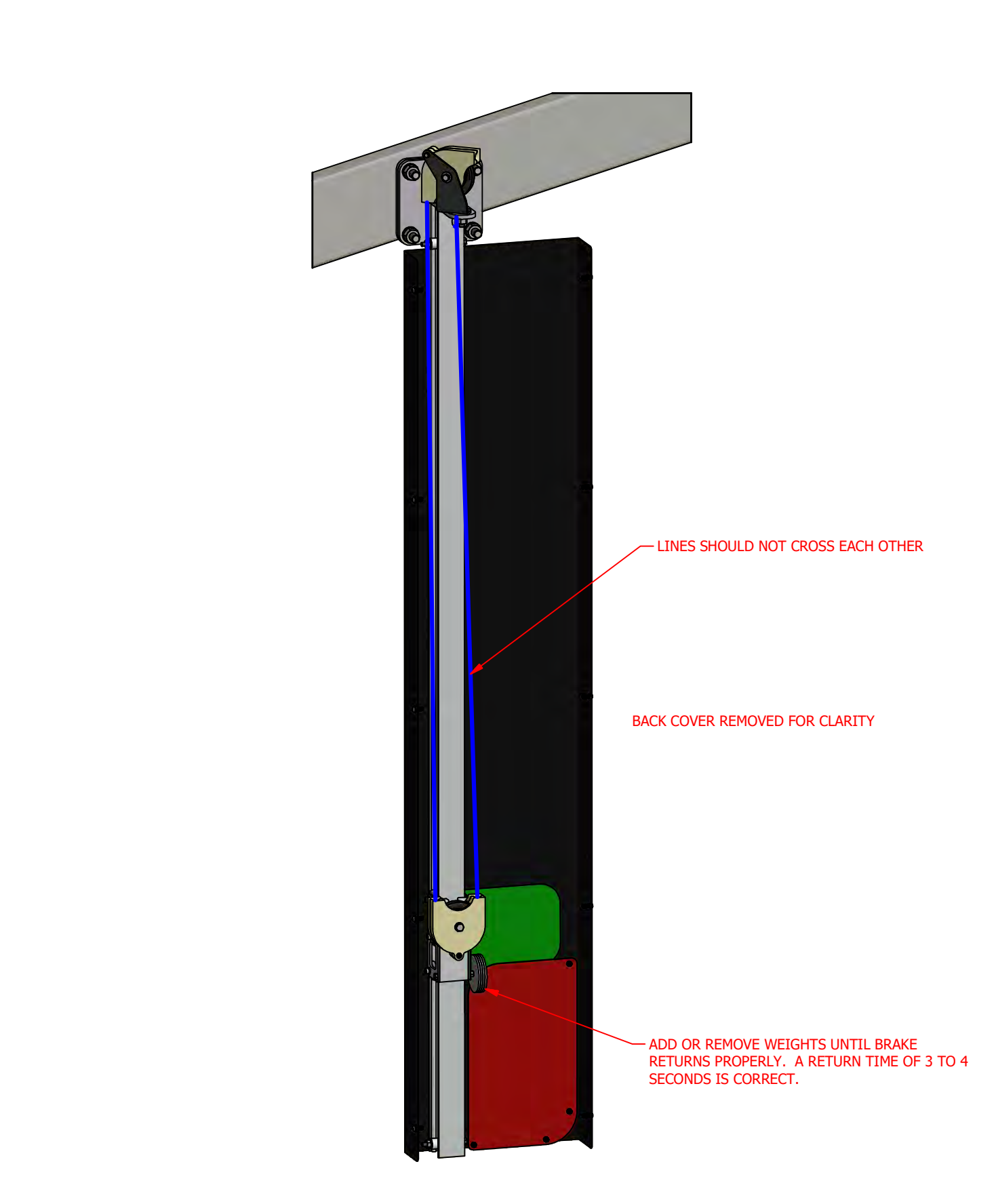
INSTALL MECHANICAL BRAKE ASSEMBLY



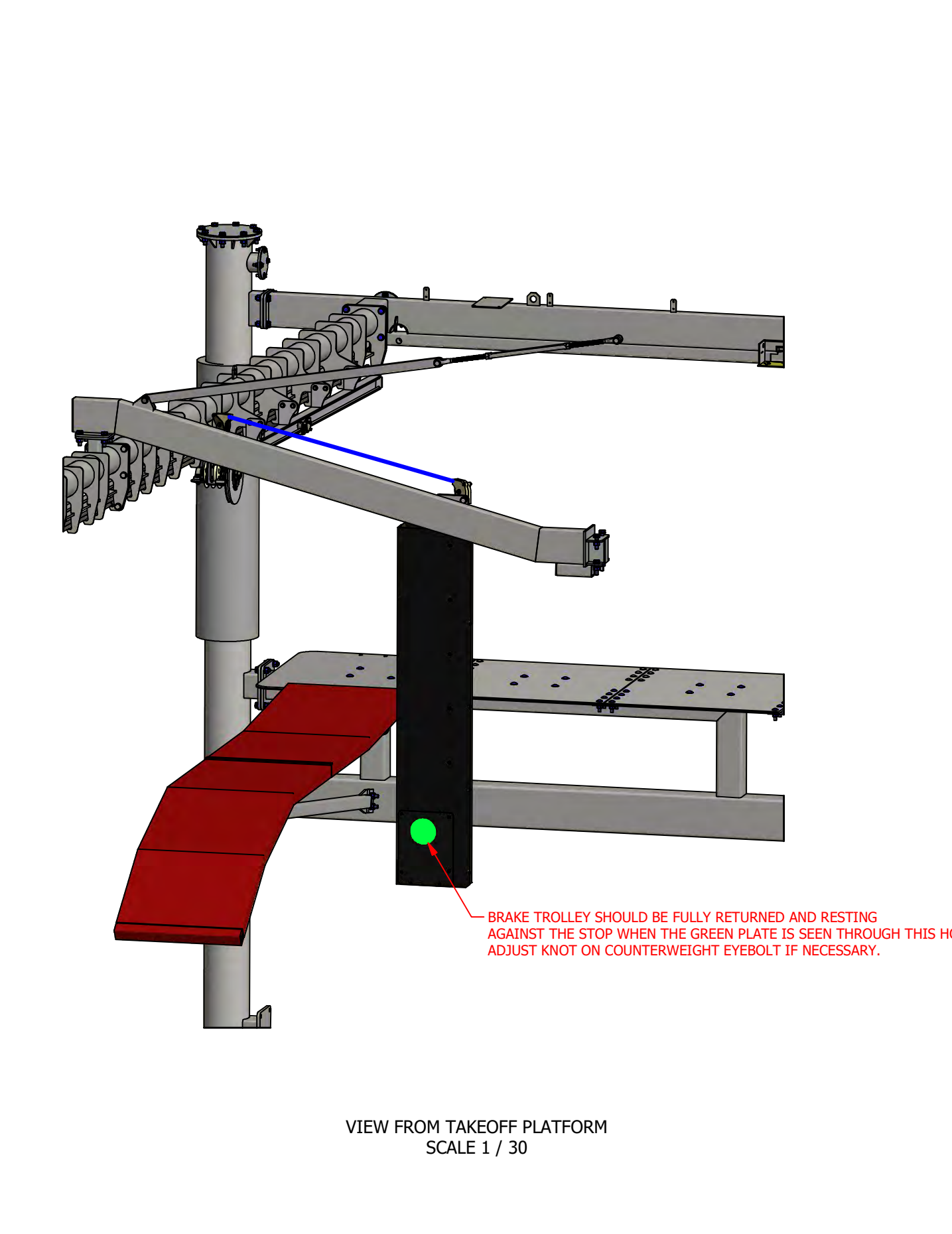
INSTALL BRAKE RAIL STOP LIGHT



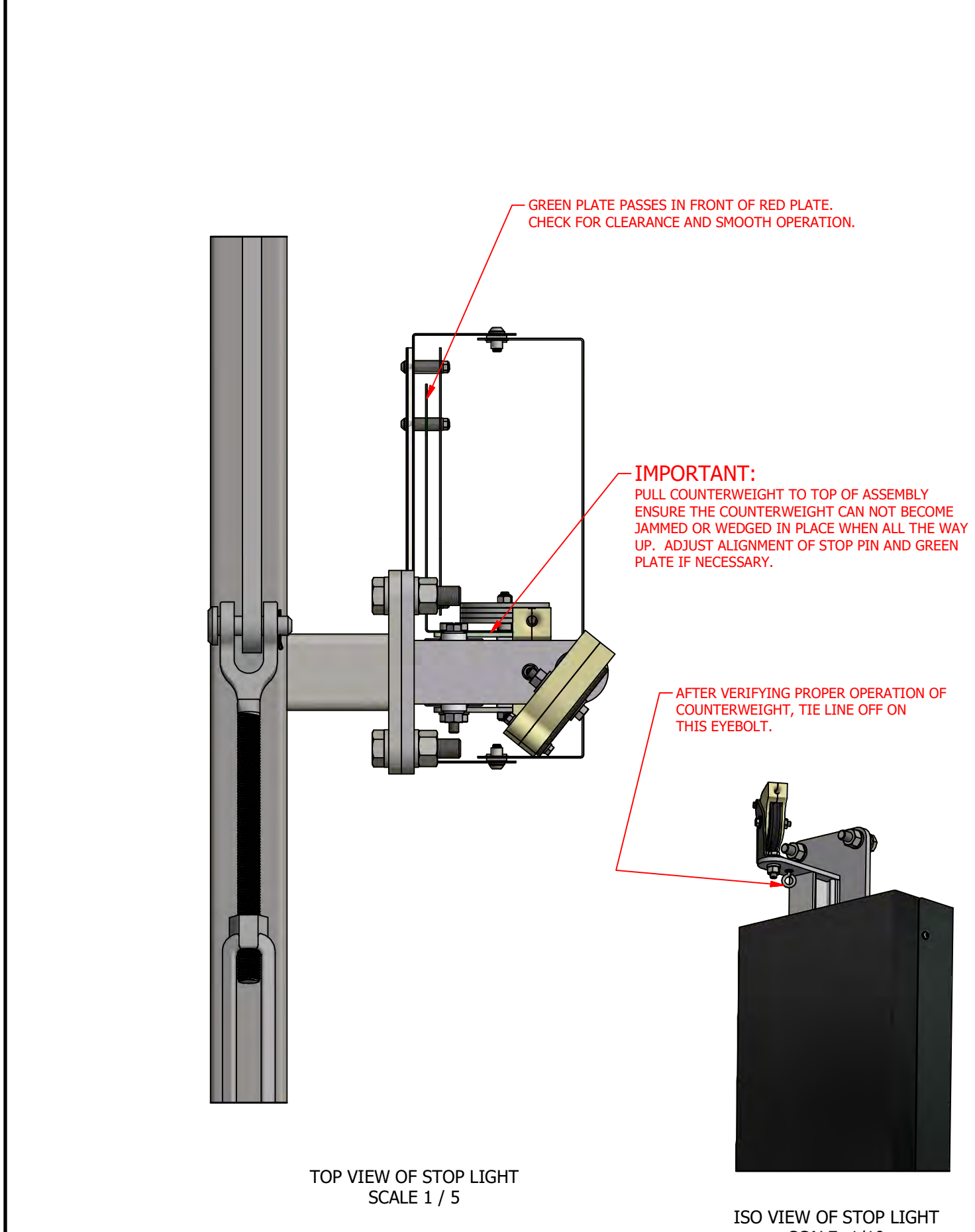
INSTALL BRAKE LINE



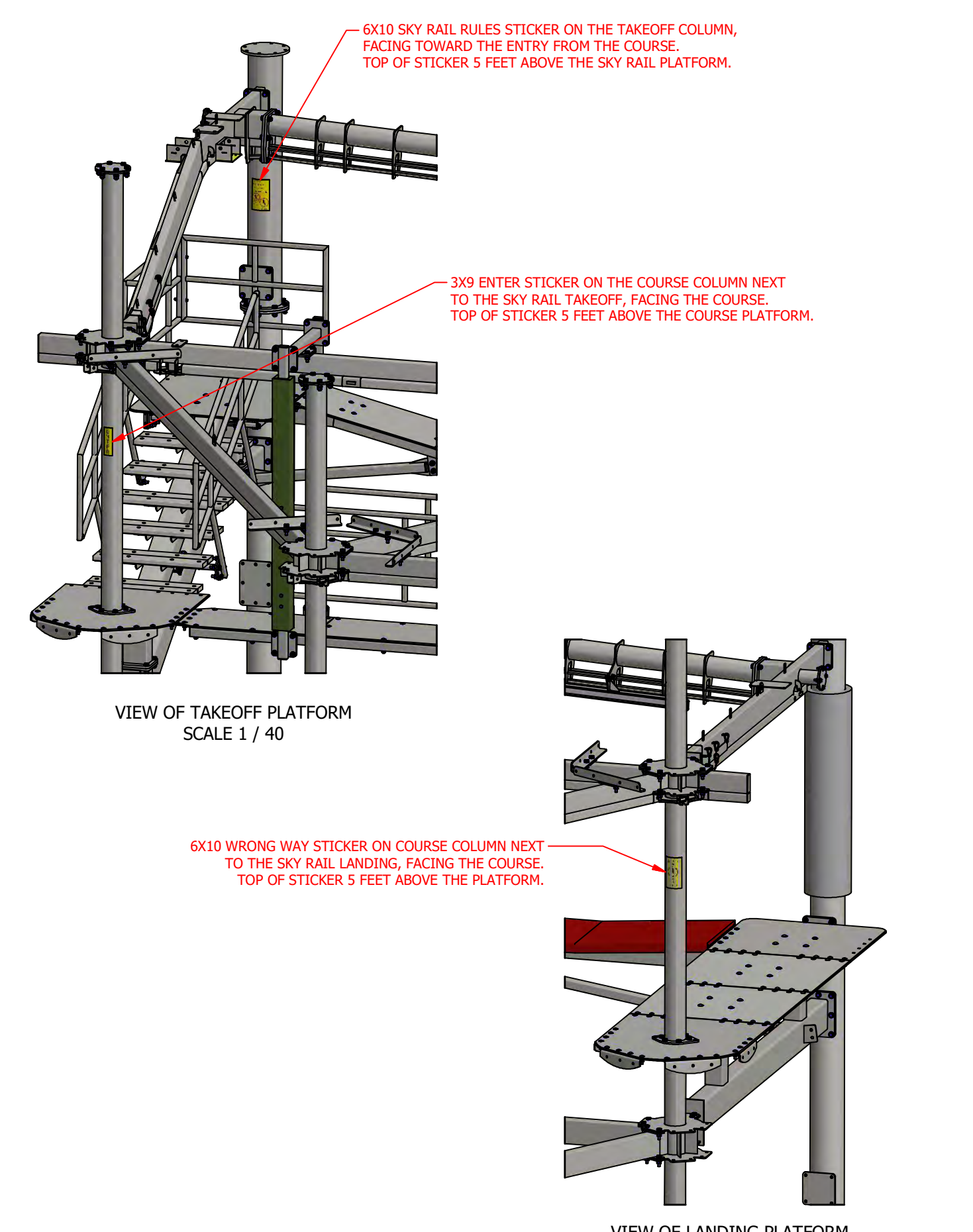
ADJUST COUNTER WEIGHT



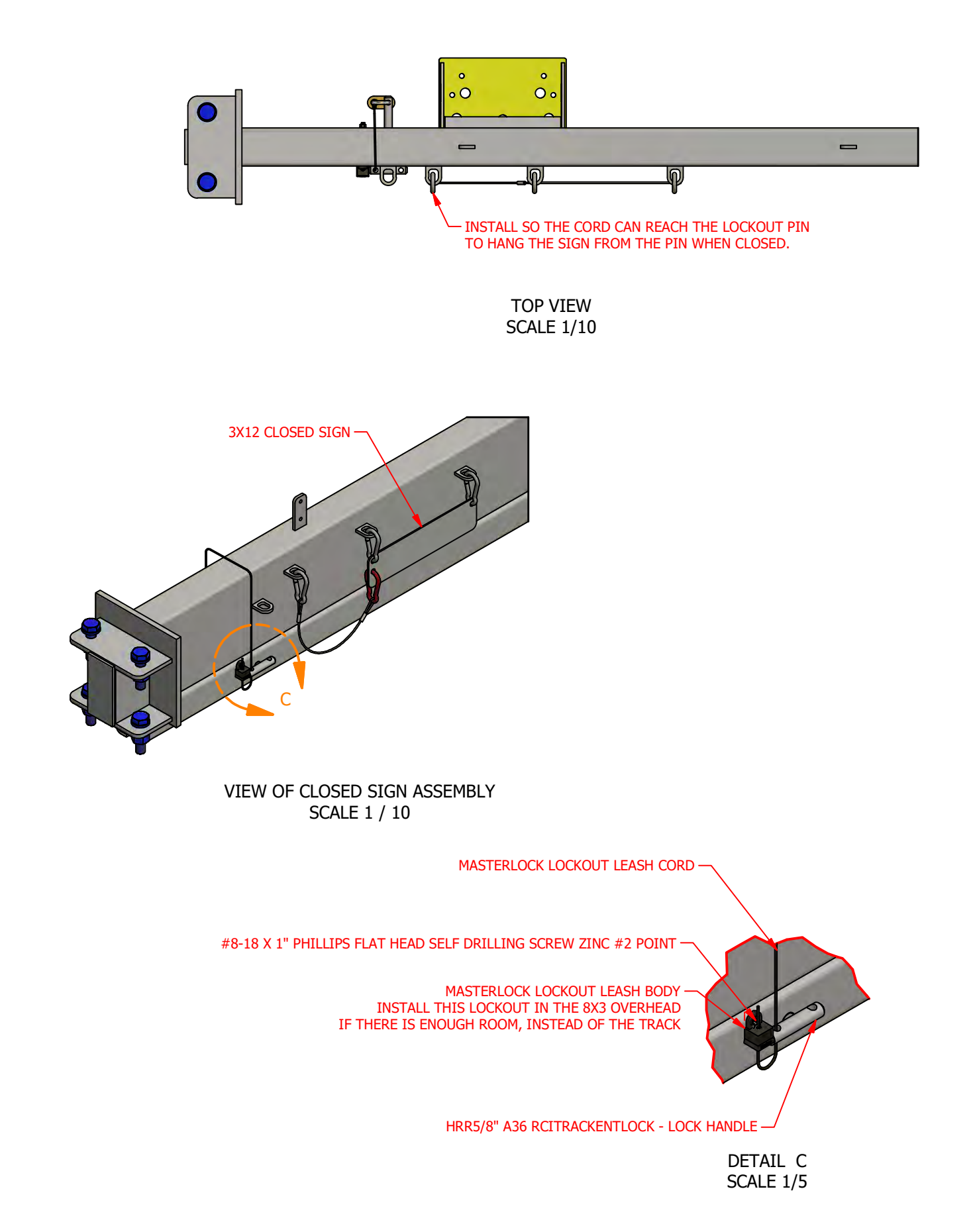
ADJUST STOP LIGHT



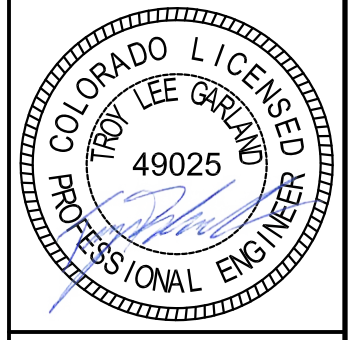
VERIFY STOP LIGHT OPERATION

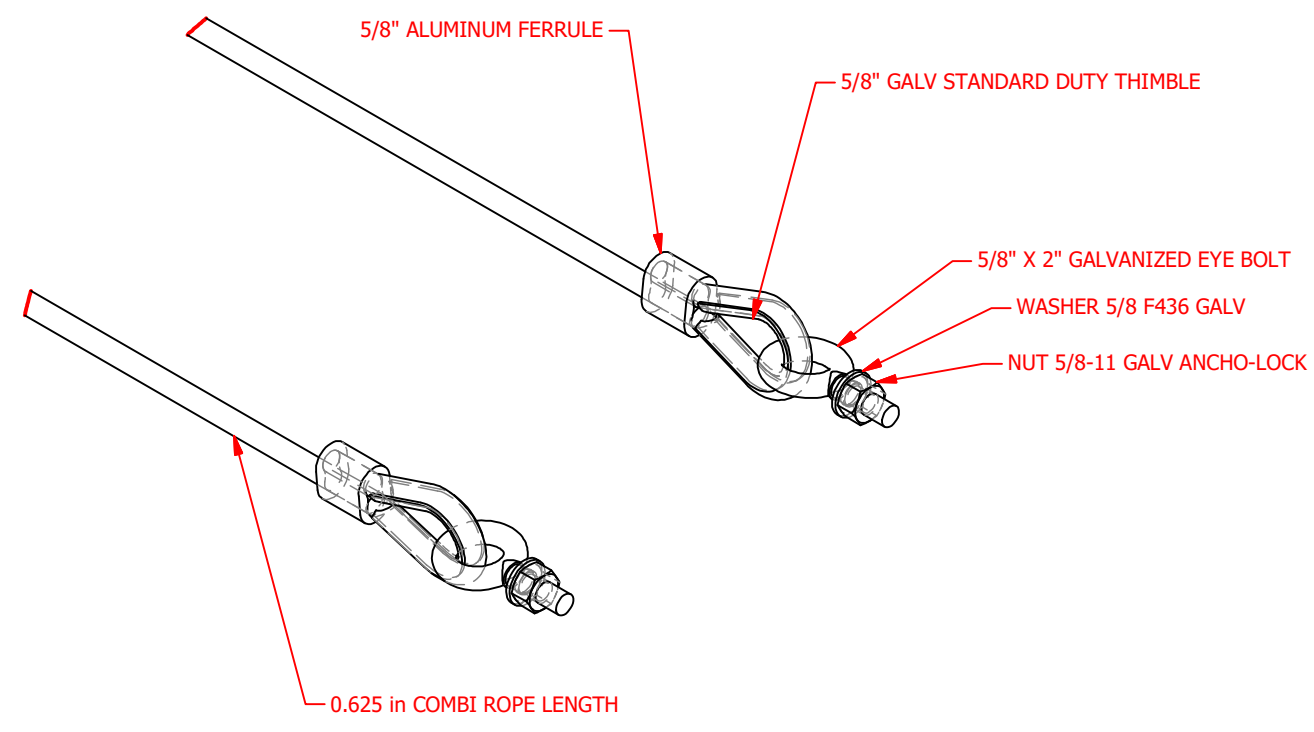


INSTALL SYSTEM SIGNS

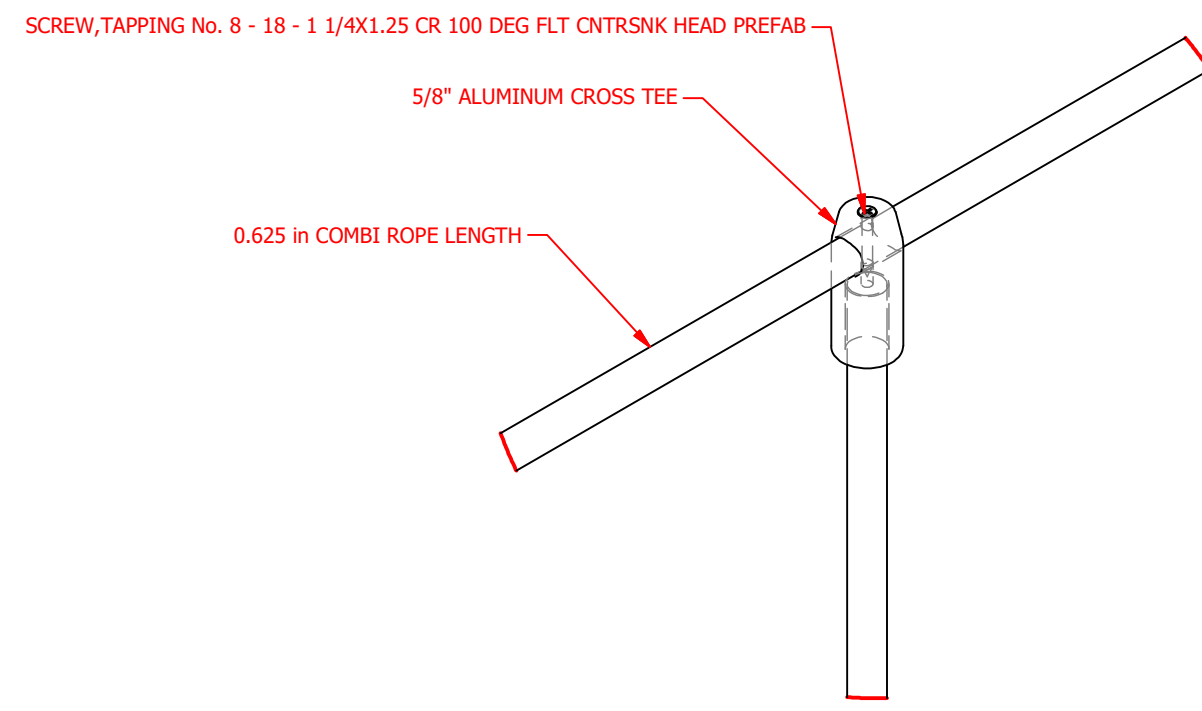


INSTALL SYSTEM CLOSED ASSEMBLIES

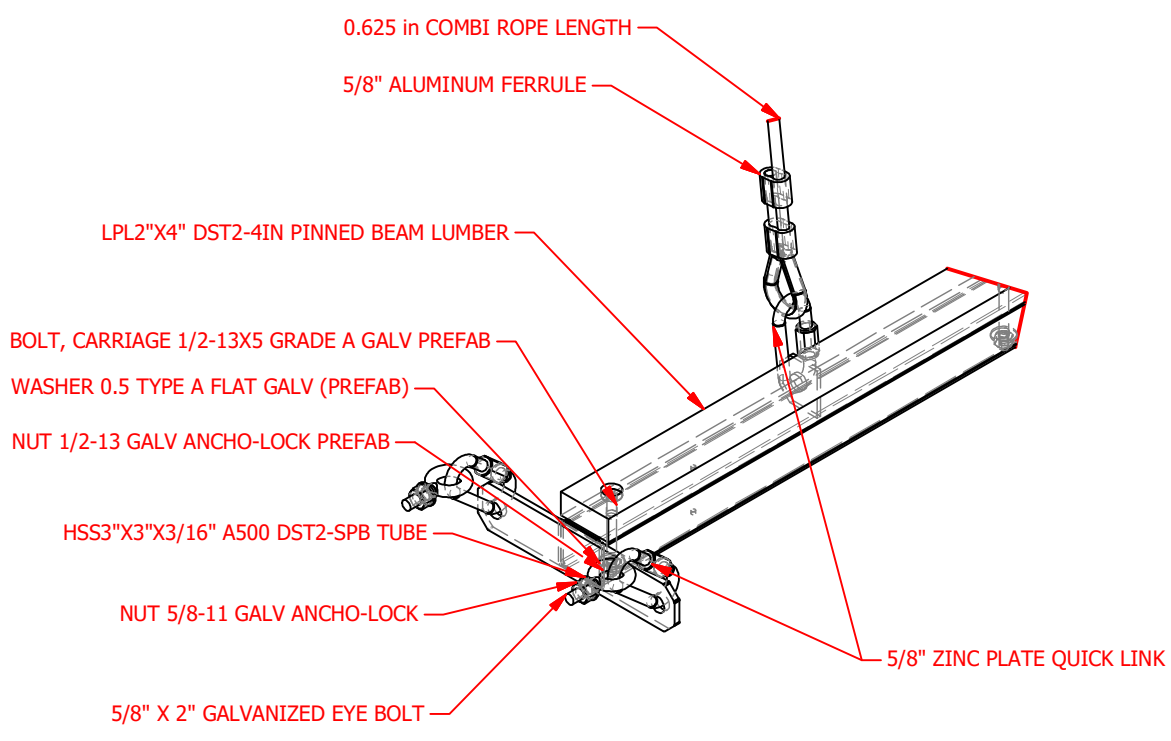




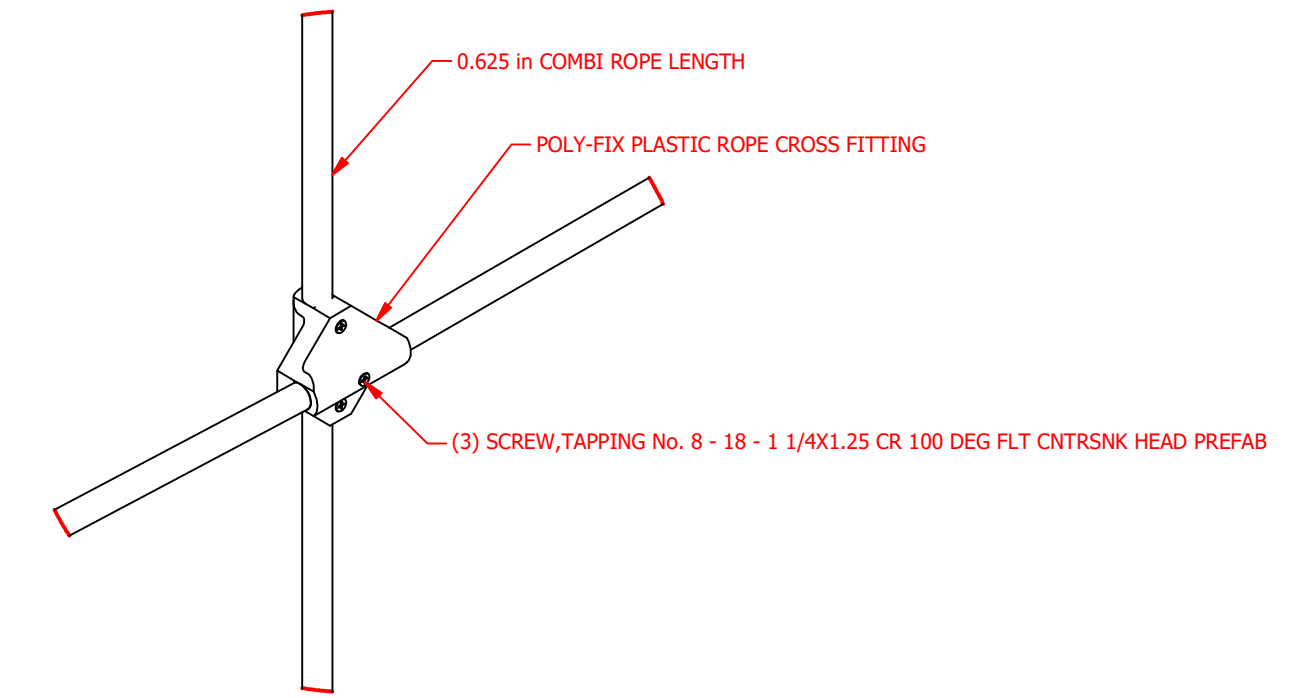
EL100 - ELEMENT ENDS



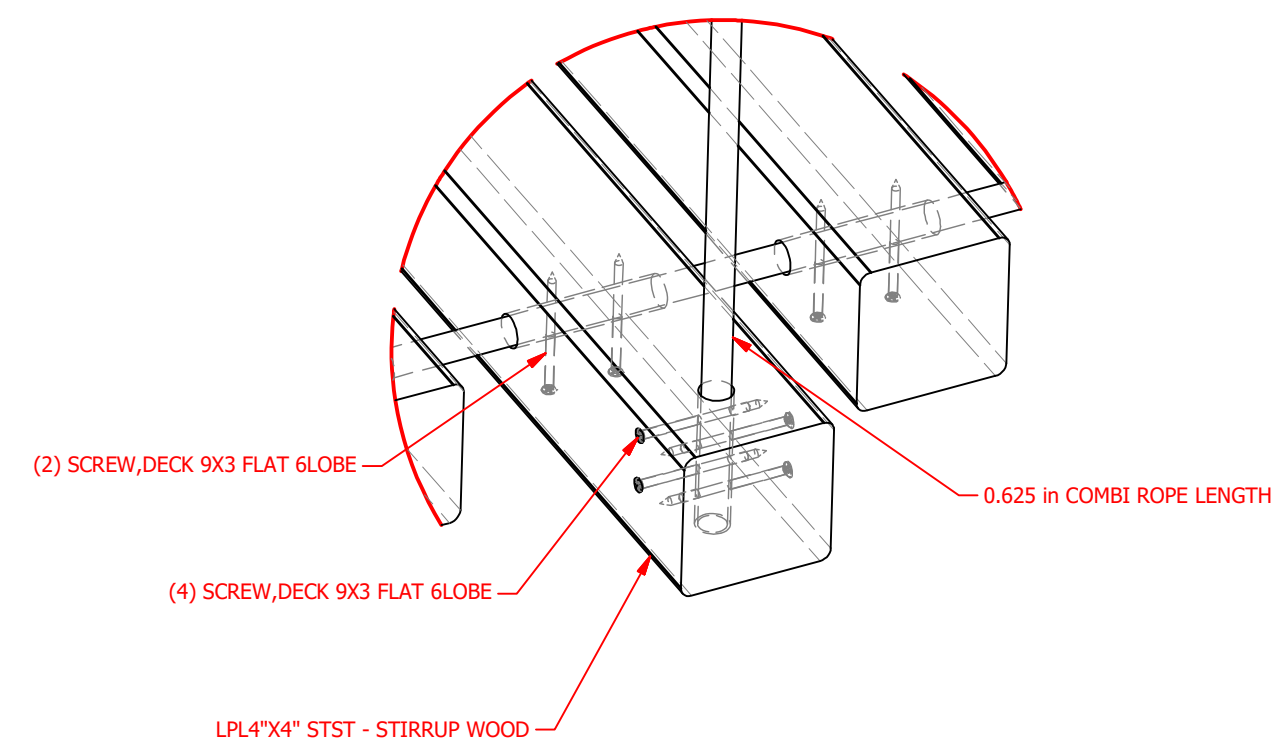
EL101 - CROSS TEE



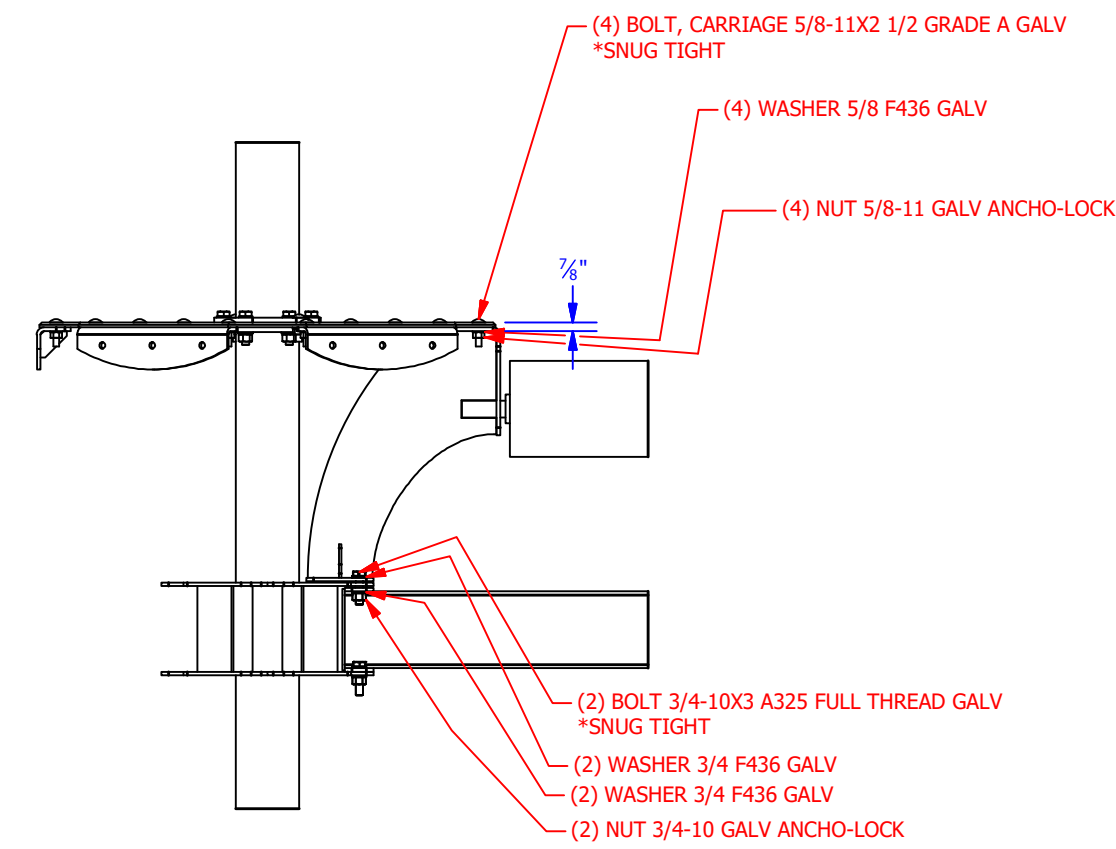
EL102 - 4 INCH ALTERNATING BURMA BEAM



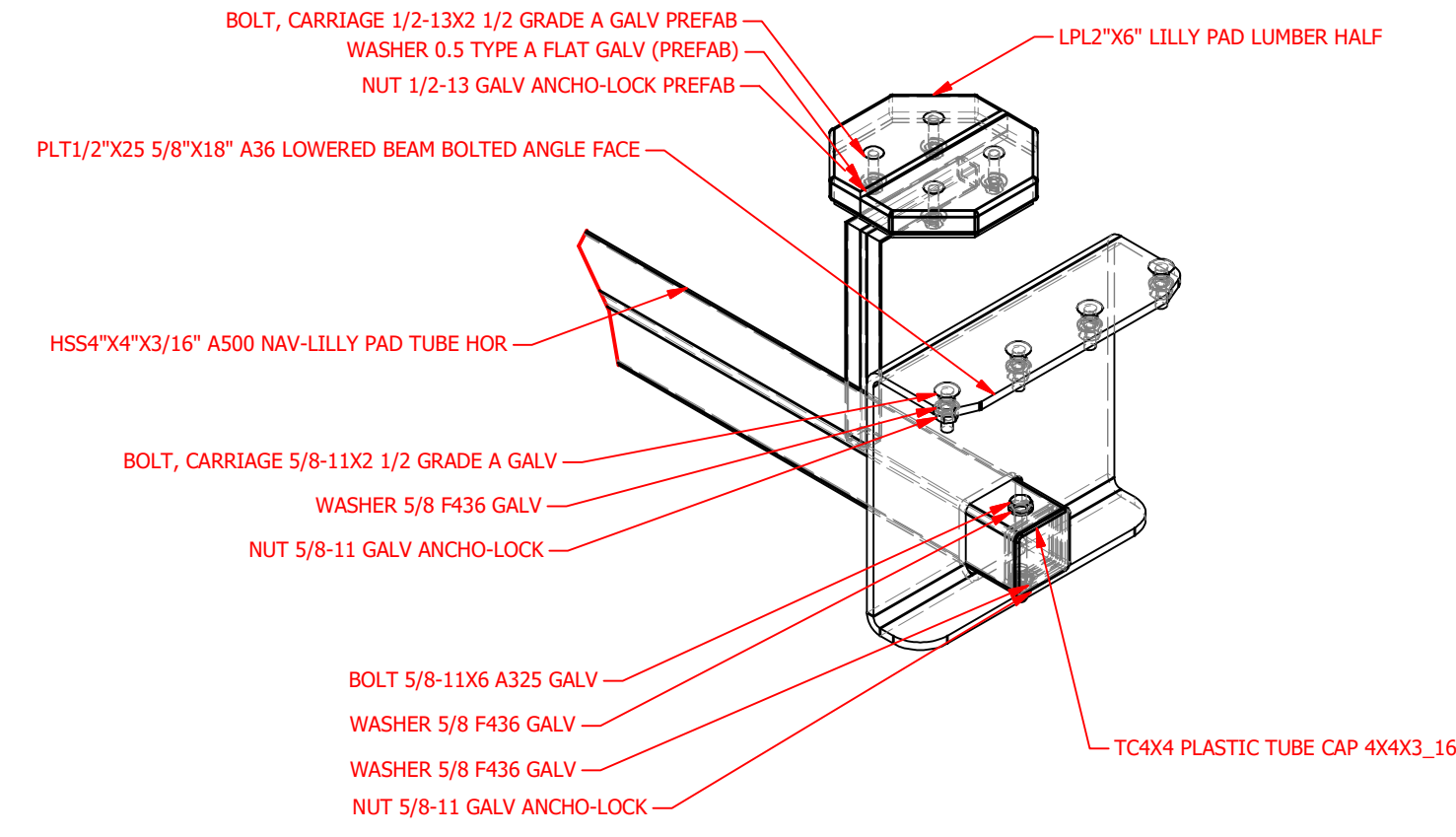
EL103 - CROSS FITTING



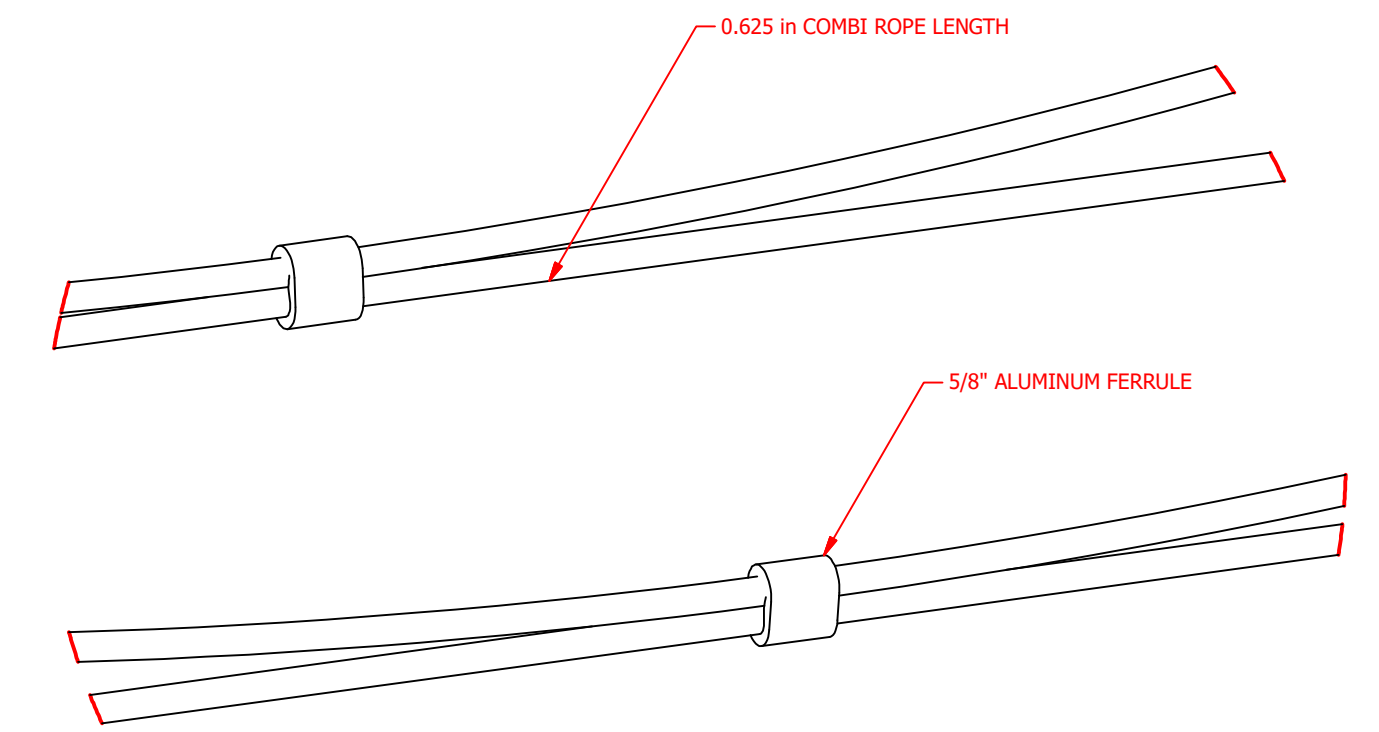
EL104 - STIRRUP



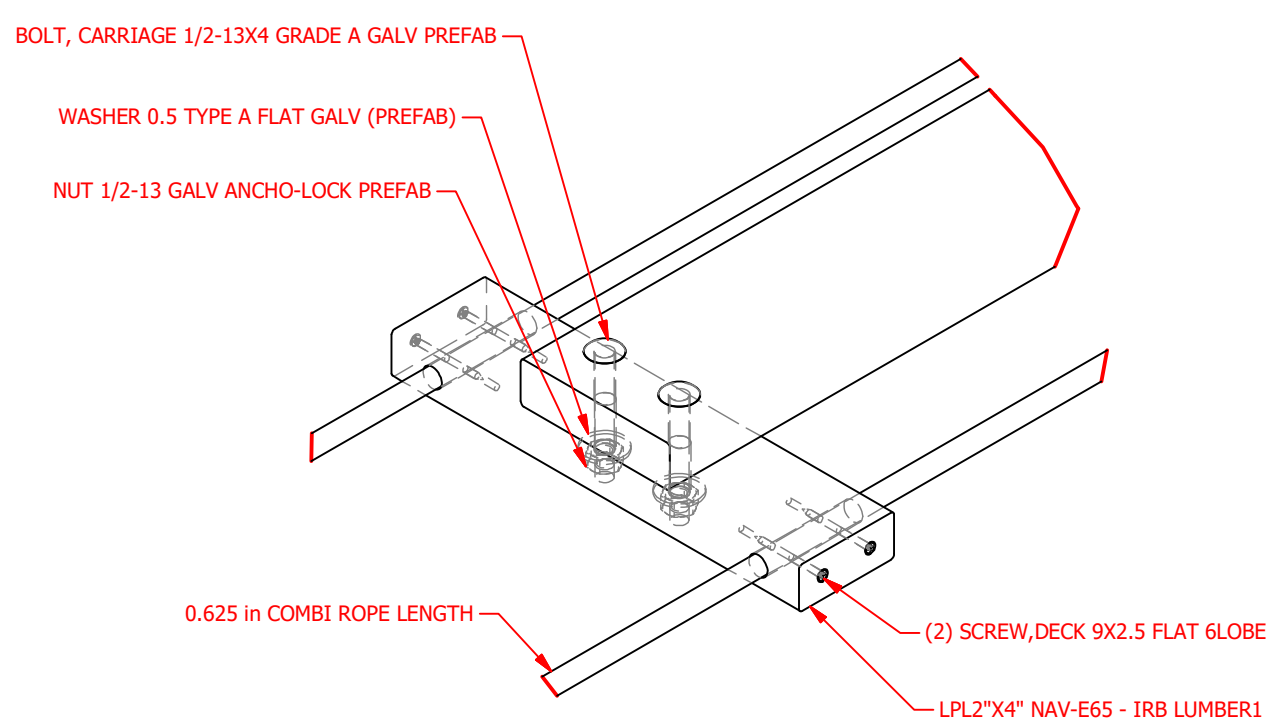
EL105 - ROLLING LOG



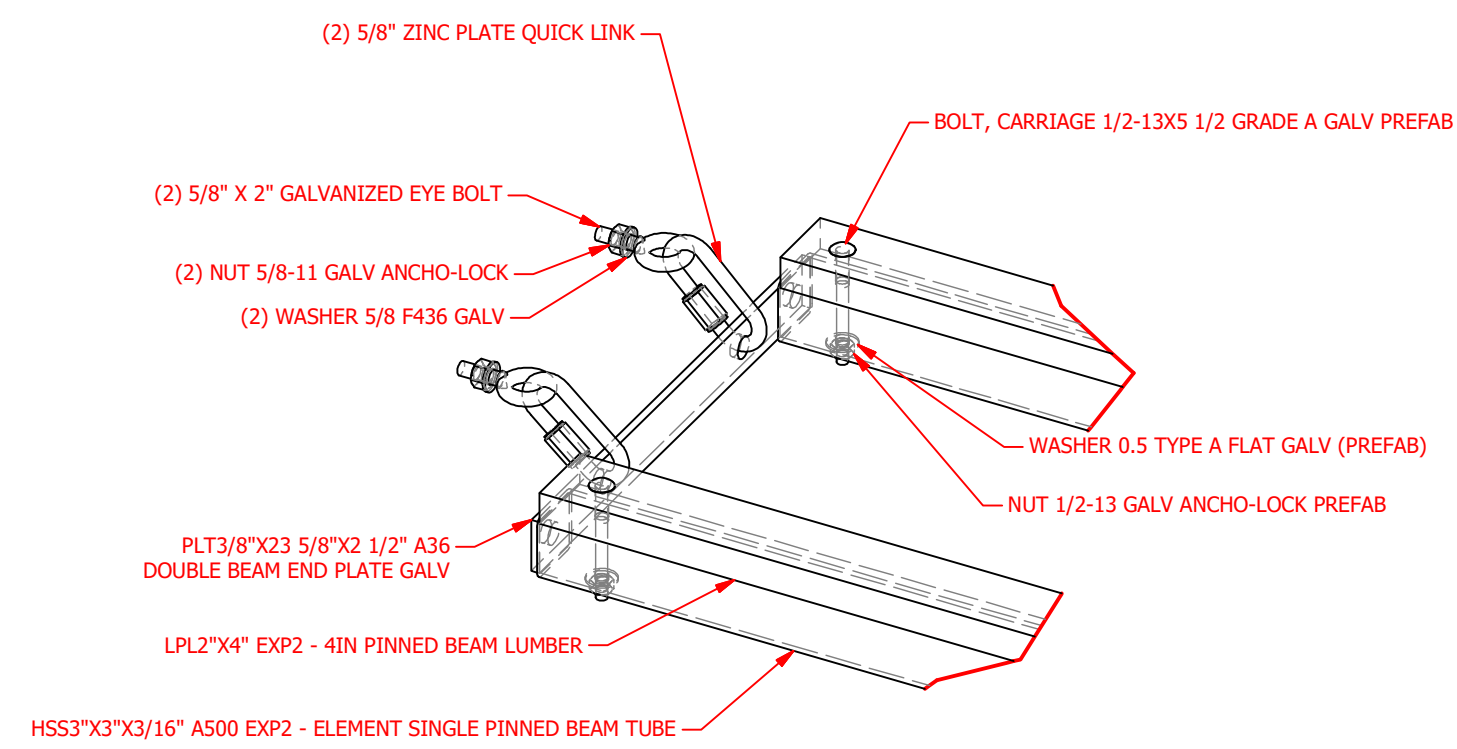
EL106 - LILY PAD



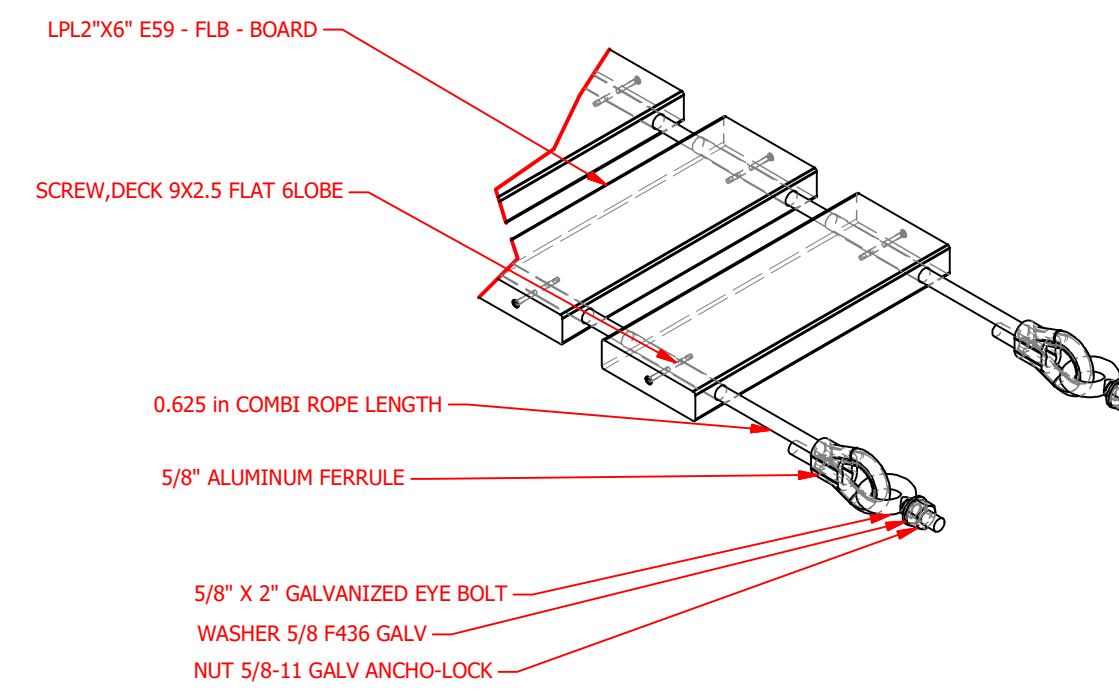
EL107 - FERRULE



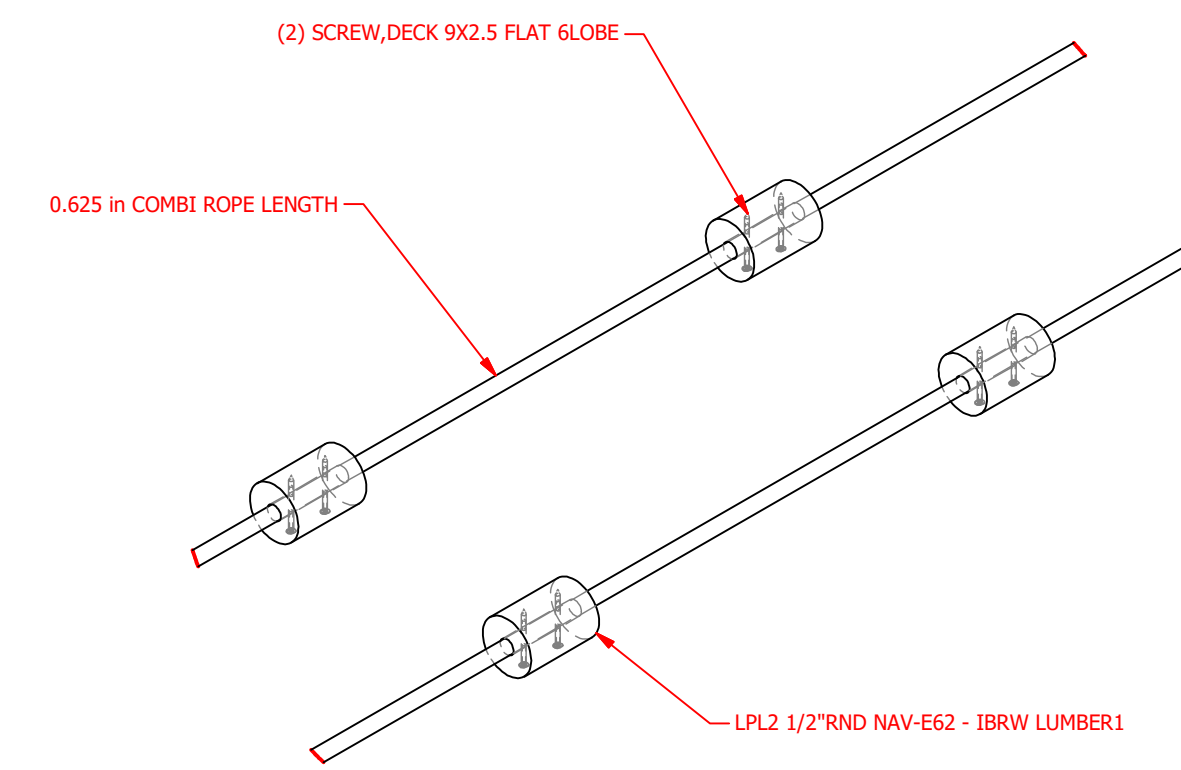
EL108 - PLUMBER TO PLUMBER



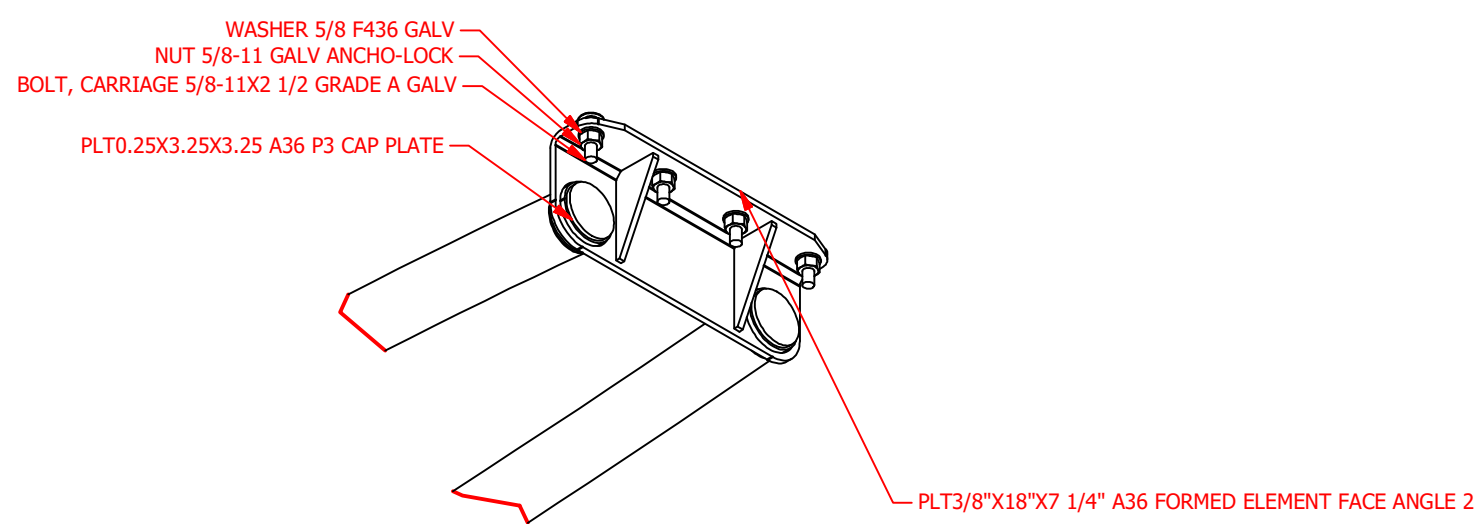
EL109 - PINNED BEAM



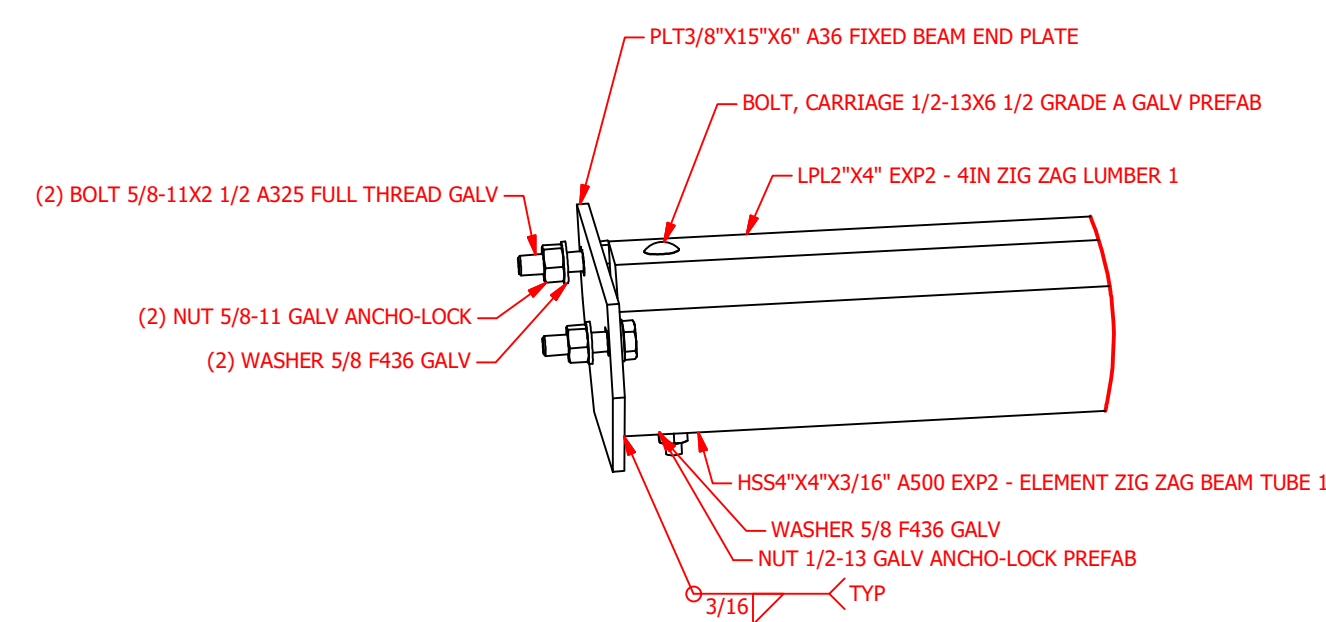
EL110 - FULL LUMBER BRIDGE



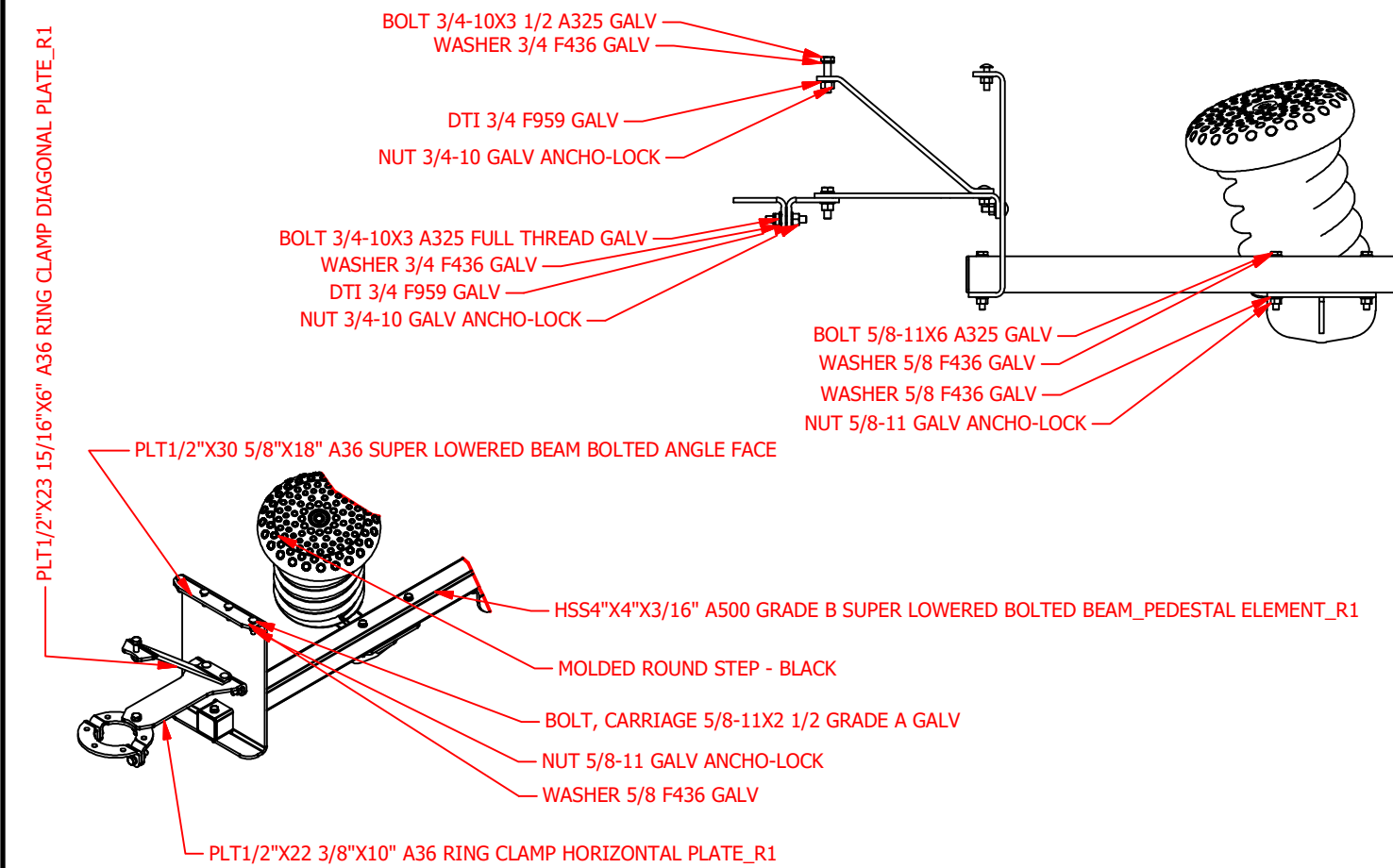
EL111 - BUMPY ROPE WALK



EL112 - KELP WALK



EL113 - BUMPY ZIG ZAG BEAM



EL114 - SPRING STEPS

