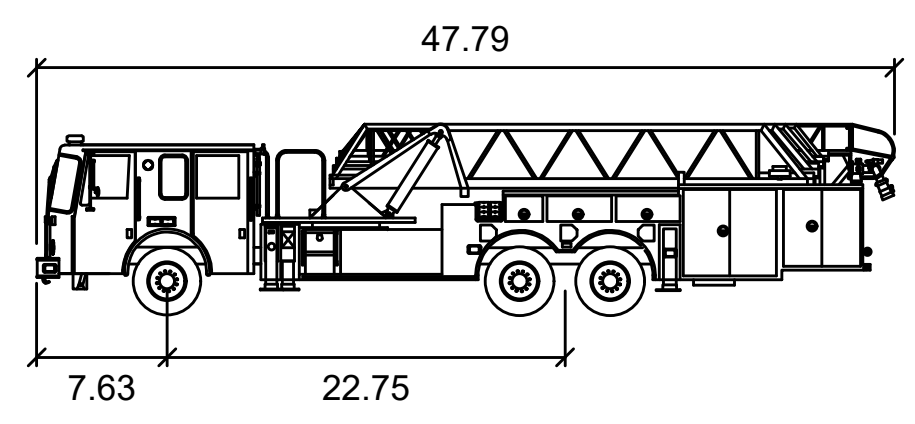
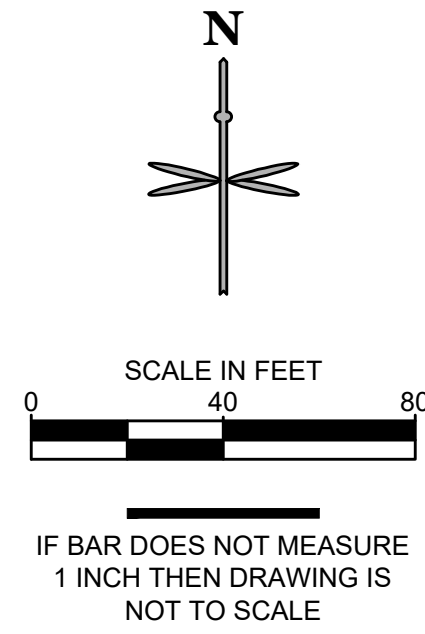
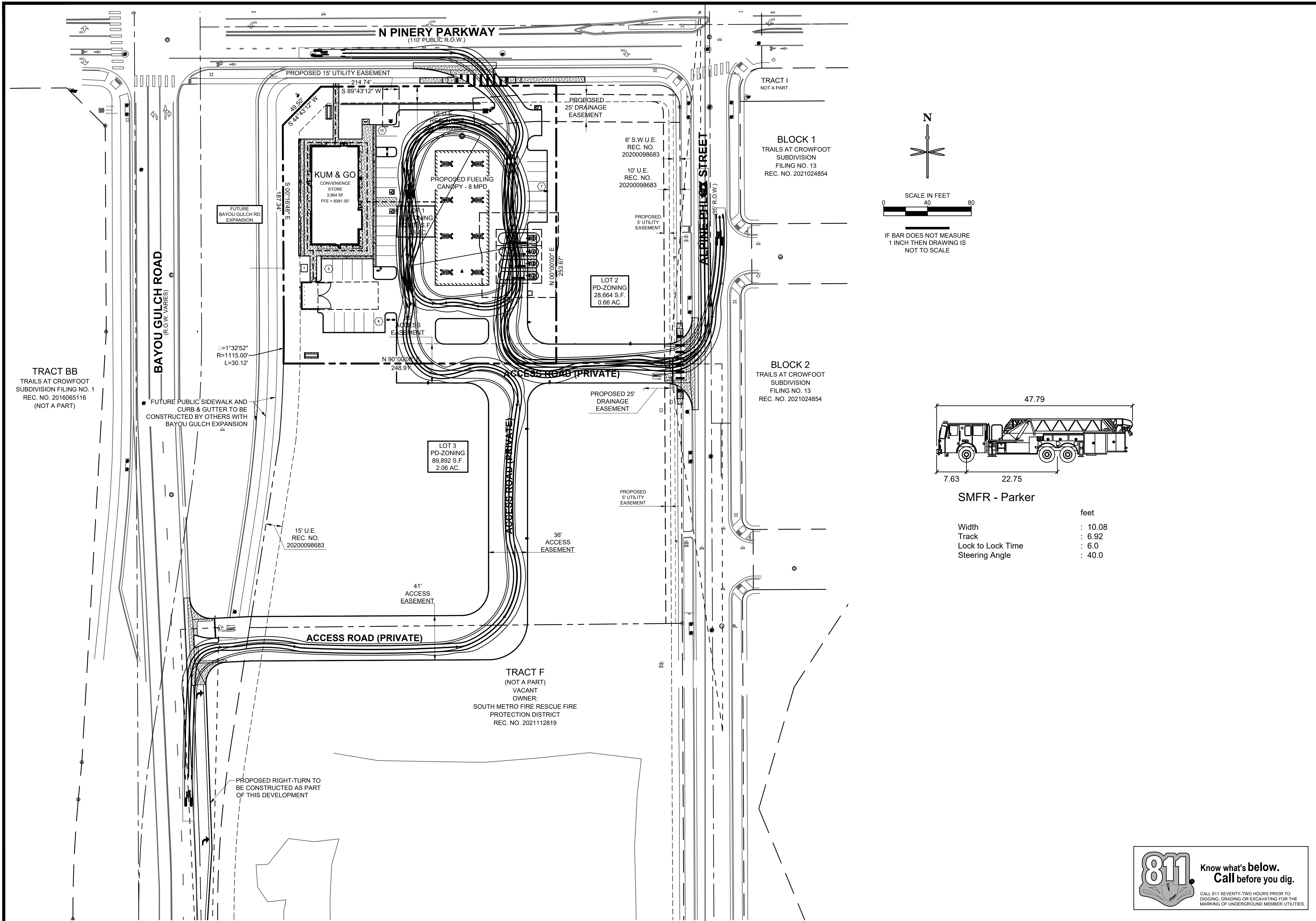


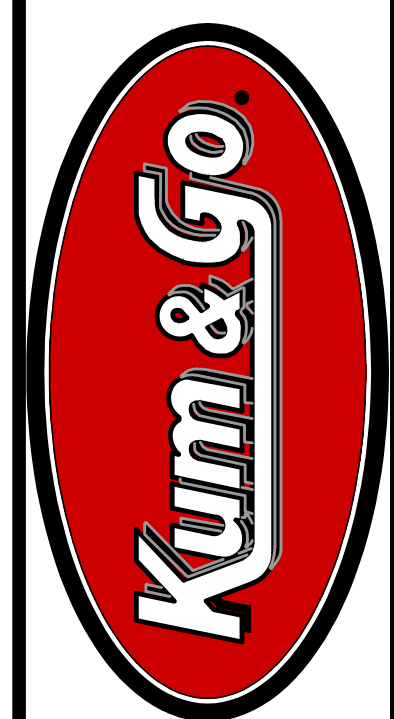
PKUM & GO CO. PARKER_2293 - PINERY AND BAYOU GULCH RD CAD EXHIBITS EX.4 - TRUCK ROUTES, RECOVER.DWG



SMFR - Parker

	feet
Width	: 10.08
Track	: 6.92
Lock to Lock Time	: 6.0
Steering Angle	: 40.0

PRELIMINARY
NOT FOR
CONSTRUCTION



1459 Grand Ave
Des Moines, IA 50309
P: 888-458-6646

2293 - PARKER, COLORADO
BAYOU GULCH RD AND PINERY PKWY
FIRE TRUCK ROUTE

KG PROJECT TEAM: EES
RDM: RF
SDM: DG
CPM: BS

REVISION DESCRIPTION	DATE

DATE: 07-12-2023

SHEET NUMBER:
EX.1
1 OF 43