

Date: 6/8/23

To: Stacey Nerger

RE: Pine + Parker
City of Parker Improvements Submittal

Dear Stacey,

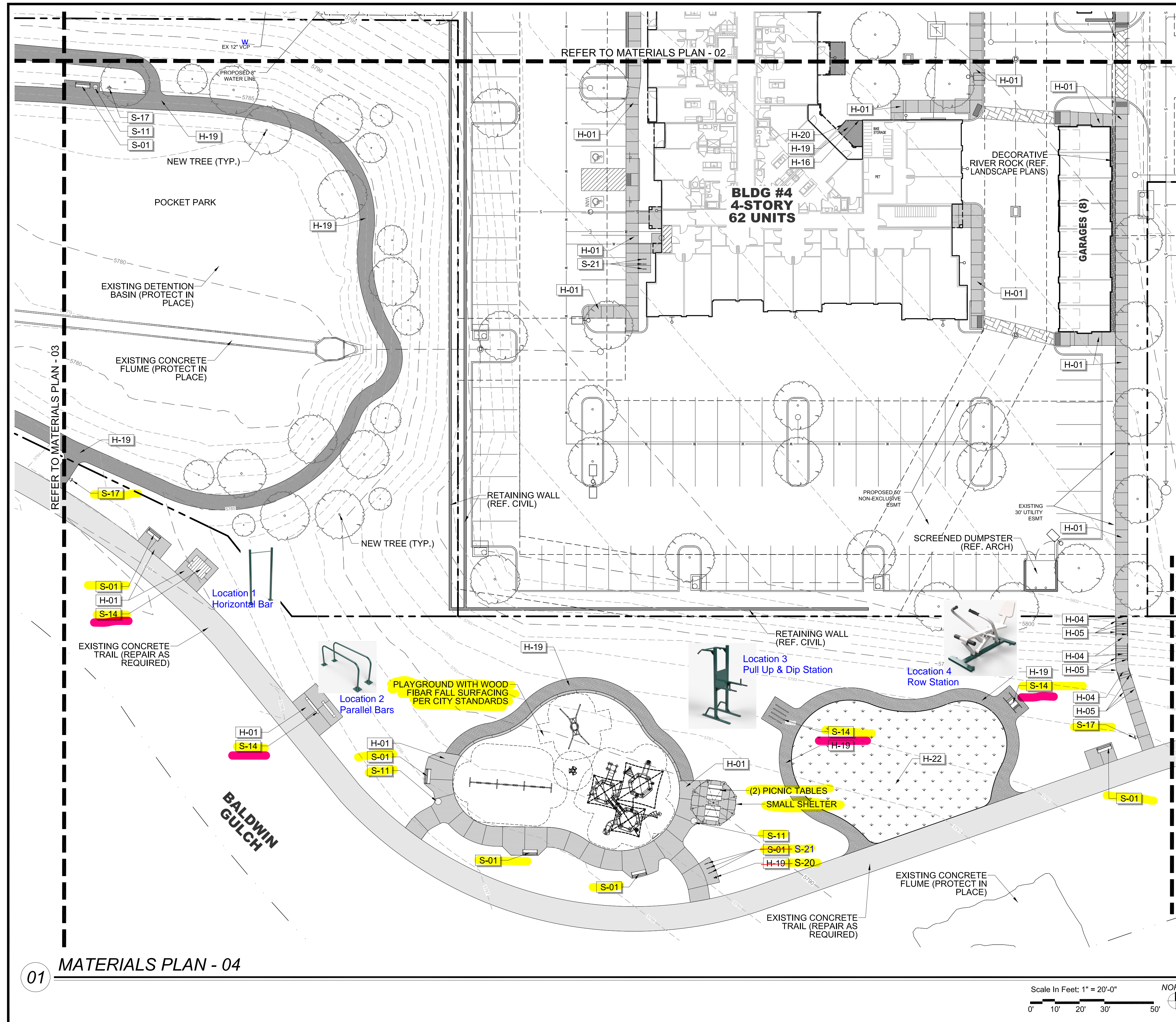
Please see the attached Submittal Documents for the Pine + Parker City Improvement Package, for your review.

Including:

ITEM DESCRIPTION	MANUFACTURER	QUANTITY	MK
Picnic Tables	Global Industrial	2	0-00
Playground Equipment	Miracle Kid's Choice Structure	1	0-00
Playground Equipment	Miracle Ten Spin	1	0-00
Playground Equipment	Miracle Swings	1	0-00
Small Picnic Shelter	12x20 Meridian Gazebo (5-10 People)	1	0-00
Benches	VICTOR STANLEY	6	S-01
Trash Receptacles	VICTOR STANLEY	3	S-11
Fitness Station: Horizontal Bar	Triactive USA	1	S-14
Fitness Station: Parallel Bars	Triactive USA	1	S-14
Fitness Station: Pull Up & Dip Station	Triactive USA	1	S-14
Fitness Station: Rowing Machine	Triactive USA	1	S-14
Pet Waste Stations	Great American Property Management	2	S-17
Bike Fix-It Station	DERO	1	S-20
Bike Racks	DERO	3	S-21

Sincerely,

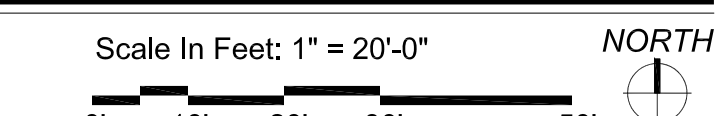
Mercedes Schermann
Project Manager
Garrett Construction Company



REFERENCE NOTES SCHEDULE

SYMBOL	HARDSCAPE DESCRIPTION
H-01	CONCRETE PAVING - SIDEWALK
H-02	CONCRETE PAVING - POOL DECK
H-04	CONCRETE STEPS
H-05	METAL HANDRAIL
H-06	POOL, TO MEET ALL APPLICABLE ADA AND POOL CODES, 1,150 SQ. FT.
H-07	HOT TUB, AT GRADE, 9' X 9' (81 SQ. FT.)
H-08	METAL POOL HANDRAIL
H-09	POOL COPING - CONCRETE TO MATCH POOL DECK
H-10	CABANAS, PREFAB METAL WITH CANVAS TOP & SIDES
H-11	OUTDOOR KITCHEN (COORDINATE GAS, WATER AND ELECTRICAL WITH MEP AND CIVIL)
H-12	TUBE STEEL SHADE STRUCTURE WITH STANDING SEAM METAL ROOF (COORDINATE ELECTRICAL FOR LIGHTING WITH MEP)
H-13	FIRE TABLE - NATURAL GAS, BROWN JORDAN FIRES 12"-18" HT. (COORDINATE NATURAL GAS LINE WITH PLUMBING AND CIVIL)
H-14	6' HT. POOL FENCE, ORNAMENTAL ALUMINUM PICKET, BLACK
H-15	6' HT. X 42" WIDTH POOL FENCE GATE, TO MATCH POOL FENCE. ACCESS CONTROL. (COORDINATE WITH MEP)
H-16	4' HT. DOG PARK FENCE, ORNAMENTAL ALUMINUM PICKET, BLACK
H-17	4' HT. X 42" WIDTH GATE, TO MATCH DOG PARK FENCE.
H-18	POWER/USB PEDESTAL (SEE ELECTRICAL PLAN FOR CONDUIT) 7 TOTAL
H-19	DECOMPOSED GRANITE (COMPACTED)
H-20	METAL LANDSCAPE EDGING
H-21	MONUMENT SIGN (COORDINATE ELECTRICAL FOR LIGHTING WITH MEP)
H-22	ARTIFICIAL TURF
SYMBOL	SITE FURNISHING DESCRIPTION
S-01	BENCH
S-02	CHAISE LOUNGE
S-03	UMBRELLA
S-04	4 TOP TABLE AND CHAIRS
S-05	COMMUNAL TABLE AND CHAIRS
S-06	HAMMOCK
S-08	OUTDOOR LOUNGE COUCH
S-09	OUTDOOR LOUNGE CHAIR
S-10	CORNHOLE
S-11	TRASH RECEPTACLE
S-12	COFFEE TABLE FOR JENGA
S-13	GIANT OUTDOOR JENGA
S-14	FITNESS STATIONS
S-15	SIDE TABLE
S-16	IN POOL CHAISE LOUNGE
S-17	PET WASTE STATION
S-18	PET DRINKING FOUNTAIN
S-19	DOG PARK PLAY STRUCTURES
S-20	BIKE FIX-IT STATION
S-21	BIKE RACKS

01 MATERIALS PLAN - 04



NO.	REVISION	BY	DATE	APPR.

THE GARRETT COMPANIES
1051 GREENWOOD SPRINGS BLVD., GREENWOOD, IN 46143 317-866-7923

DESIGNED BY: NAS
DRAWN BY: NAS
CHECKED BY: TGC
DATE: 05/26/23

PARKER AND PINE FILING NO. 2 LOTS 1-3
PARKER, CO
MULTI-FAMILY SITE PLAN
MATERIALS PLAN

PRELIMINARY FOR REVIEW PURPOSES ONLY AND SHALL NOT BE USED FOR BIDDING, PERMITTING, OR CONSTRUCTION.
Nicholas Allen Smith
Registered Landscape Architect of the State of COLORADO
Registration Number: 1436
NOT FOR CONSTRUCTION
PROJECT NO. 096481002

16 OF 49

Picnic Tables

PLAN ID: None
QTY: (2) Two



GLOBAL INDUSTRIAL™

We can supply that.®

User's manual

Manual del usuario

Manuel de l'utilisateur

Customer Service
US: 1-800-645-2986

Servicio de atención al Cliente
US: 1-800-645-2986

Service à la clientèle
Canada: 888-645-2986

Rectangular Metal Mesh Picnic Table

BEFORE YOU BEGIN



BILT.®

Scan for easy 3D instructions
Download the BILT app before you begin

Download on the App Store | GET IT ON Google Play



Models:
277152BL/GN/RD/GY

These Assembly instructions and Warnings should be retained by maintenance or safety department for future reference. Routine maintenance and inspection of the equipment should be performed every six months. Damaged and worn parts should be removed from service until replaced or repaired to prevent safety hazards.

⚠ WARNING ⚠

- Assembly and installation of equipment should be performed by 2 people.
- Workers should use OSHA approved safety and lifting equipment.

⚠ WARNING ⚠

- This product contains chemicals which are known by the state of California to cause cancer, birth defects or other reproductive harm.

⚠ WARNING ⚠

- Do not climb on, under or through tables and benches.
- Two people required to move tables and benches.
- Do not use if any parts of bench or table are broken or damaged.
- Inspect and tighten hardware every six months.
- Replace rusted hardware and damaged components.

Playground Equipment

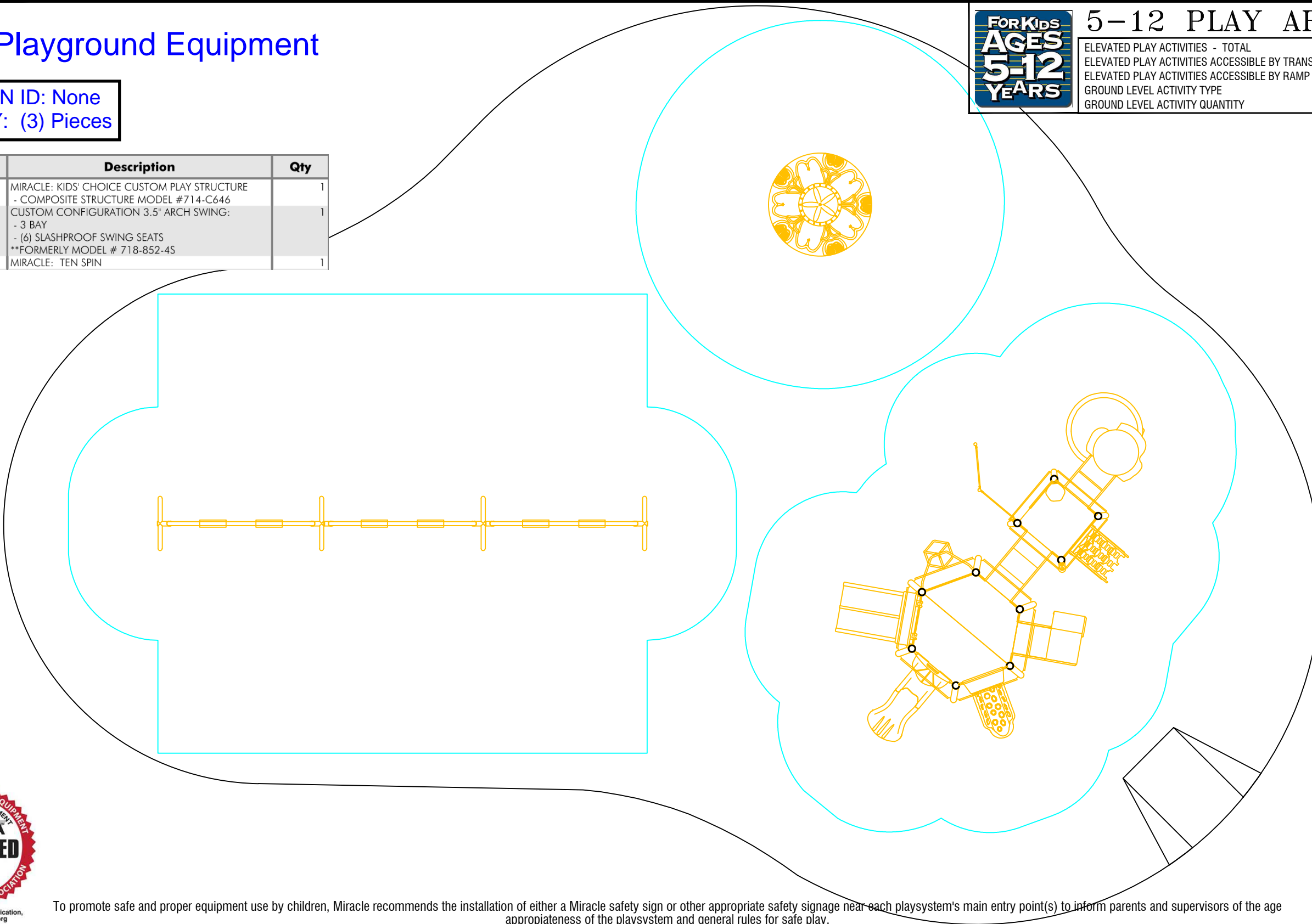
PLAN ID: None
QTY: (3) Pieces

Item	Description	Qty
714-000-C	MIRACLE: KIDS' CHOICE CUSTOM PLAY STRUCTURE - COMPOSITE STRUCTURE MODEL #714-C646	1
MR0930-C	CUSTOM CONFIGURATION 3.5" ARCH SWING: - 3 BAY - (6) SLASHPROOF SWING SEATS **FORMERLY MODEL # 718-852-4S	1
304	MIRACLE: TEN SPIN	1

FOR KIDS
AGES
5-12
YEARS

5-12 PLAY AREA

ELEVATED PLAY ACTIVITIES - TOTAL	7	
ELEVATED PLAY ACTIVITIES ACCESSIBLE BY TRANSFER	7	REQ'D 4
ELEVATED PLAY ACTIVITIES ACCESSIBLE BY RAMP	0	REQ'D 0
GROUND LEVEL ACTIVITY TYPE	3	REQ'D 2
GROUND LEVEL ACTIVITY QUANTITY	8	REQ'D #



To promote safe and proper equipment use by children, Miracle recommends the installation of either a Miracle safety sign or other appropriate safety signage near each playsystem's main entry point(s) to inform parents and supervisors of the age appropriateness of the playsystem and general rules for safe play.



THE PLAY COMPONENTS IDENTIFIED IN THIS PLAN ARE IPEMA CERTIFIED. THE USE AND LAYOUT OF THESE COMPONENTS CONFORM TO THE REQUIREMENTS OF ASTM F1487.

AN ENERGY ABSORBING PROTECTIVE SURFACE IS REQUIRED UNDER & AROUND ALL PLAY SYSTEMS.

✓ COMPLIES TO CPSC

DATE 06.08.2023

✓ COMPLIES TO ASTM

SCALE: N.T.S.

✓ COMPLIES TO ADA

H. HEASLEY

JOB:
PARKER AND PINE FILING NO. 2

PREPARED FOR:
MERCEDES SCHERMANN
GARRETT CONSTRUCTION

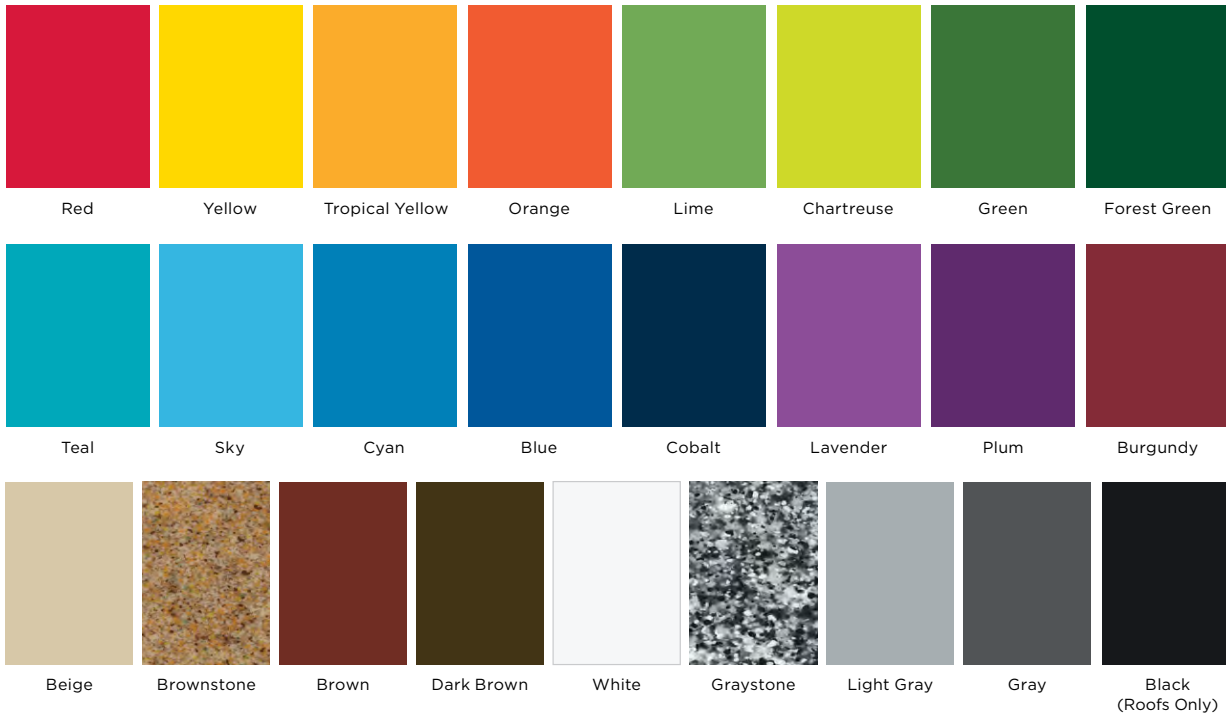
CHURCHICH
RECREATION LLC

PO Box 1174 - Niwot, Colorado 80544
303-530-4414 - www.churchichrecreation.net

Color Choices

Rock-ite® Plastic Colors

Roofs, Slides, Big Timber® Components, Crawl Tubes, Bongos™, Bumpers and Panels.



Mira-Lene™ Panel Colors



Miracle® uses high quality materials and state of the art manufacturing processes. Commercial playgrounds and products are subjected to years of environmental and solar exposure. Such extreme exposure takes its toll on paints and pigments, and all colors will fade over time. So Miracle® does not warrant against color fading or discoloration. It is important to properly maintain your playground to ensure its longevity. Depending on environmental conditions at your location, the installation of fabric shade structures may help to delay fading and discoloration. Actual colors in catalog may vary due to four color printing process.

Mira-Cote™ Powder-Coated Painted Metal Colors

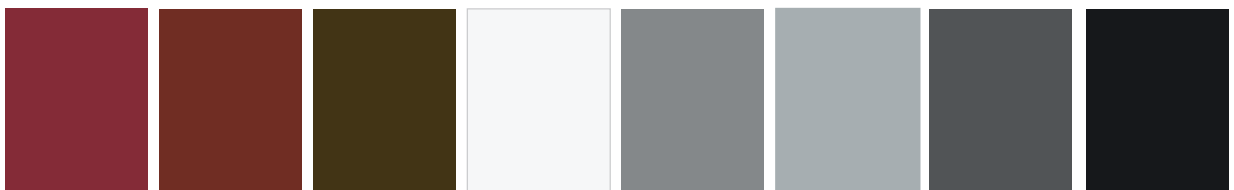
Posts, Arches, Swings and Accents (Railings & Climbers).



Red Yellow Tropical Yellow Orange Lime Chartreuse Green Forest Green



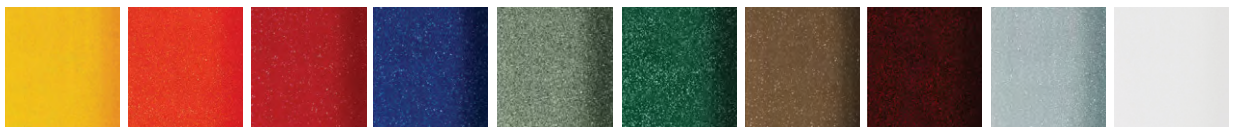
Teal Azure Blue Cobalt Lavender Plum Beige Sand



Burgundy Brown Dark Brown White Silver Light Gray Metallic Gray Black
(Posts & Clamps Only)

Mira-Cote™ Antimicrobial Painted Metal Colors

This proprietary treatment helps minimize bacterial mold, algae growth and stains.



Yellow Orange Habanero Mediterranean Safari Rainforest Desert Dunes Mahogany Gray White

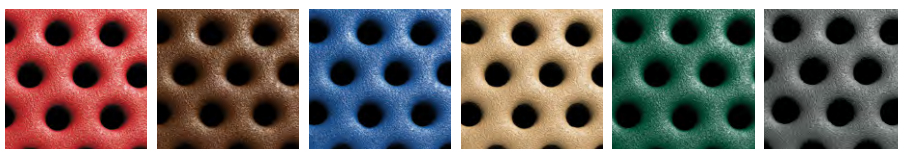
Miracle Swing Seat Colors



Yellow Red Royal Blue Forest Green Sand Black

Mira-Therm™ Textured Colors

Mira-Therm coatings for Decks, Steps, Ramps, Bridges and Cargo Climbers are available in either orthophtalate-free Mira-Therm 2 (vinyl) or Mira-Therm PE (polyethylene)-based coatings with Antimicrobial enhancements.



Red Brown Royal Blue Sand Hunter Green Dark Gray

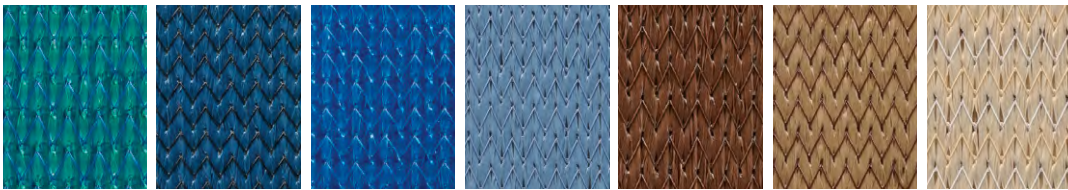
Color Choices

Shade Fabric Colors

SHADESURE™ Fabrics *Passes: NFPA 701 / ASTM-E84*



Red Sunflower Yellow Terracotta Electric Purple Rain Forest Zesty Lime Olive

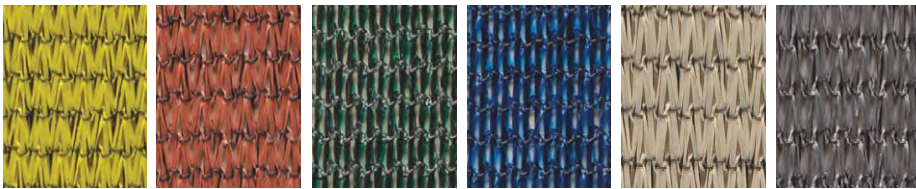


Turquoise Navy Blue Royal Blue Laguna Blue Chocolate Cinnamon Arizona



Desert Sand Silver Black White

COLOURSHADE® Fire Retardant Fabrics *Passes: NFPA 701 / ASTM-E84 / OSFM TITLE 19*



Yellow Terracotta Green Blue Desert Sand Silver

Site Furnishing Colors

Amenities receive a durable color coating that will not rust, crack, peel, or warp. Choose a powder coat color for framework and plastisol coating for table tops, seats, and backs.

Powder Coat and Plastisol

Powder Coat Only



Red Green Blue Sand Brown Charcoal Black White

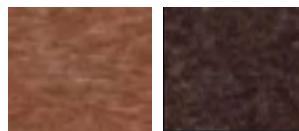
Site Furnishing Patterns



Perforated Diamond

Slat and Rib patterns (not shown) available in select site furnishing products.

Recycled Plastic Colors



Cedar Milwaukee Brown

Color Palettes



Actual colors in catalog may vary due to four color printing process.

Small Picnic Shelter

12' x 20' MERIDIAN WOOD GAZEBO

PLAN ID: None

QTY: (1) One

with ALUMINUM ROOF

Installation and Operating Instructions – YM11775



HEIGHT:
3.099 m / 10'2"

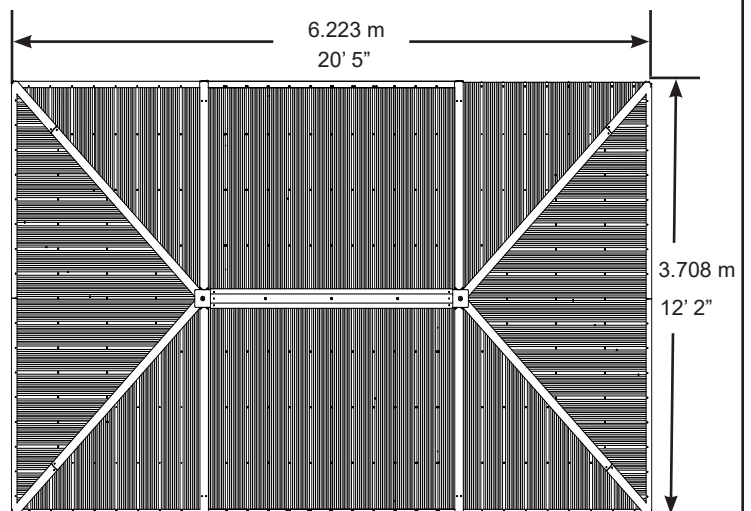
IMPORTANT, RETAIN FOR FUTURE REFERENCE: READ CAREFULLY

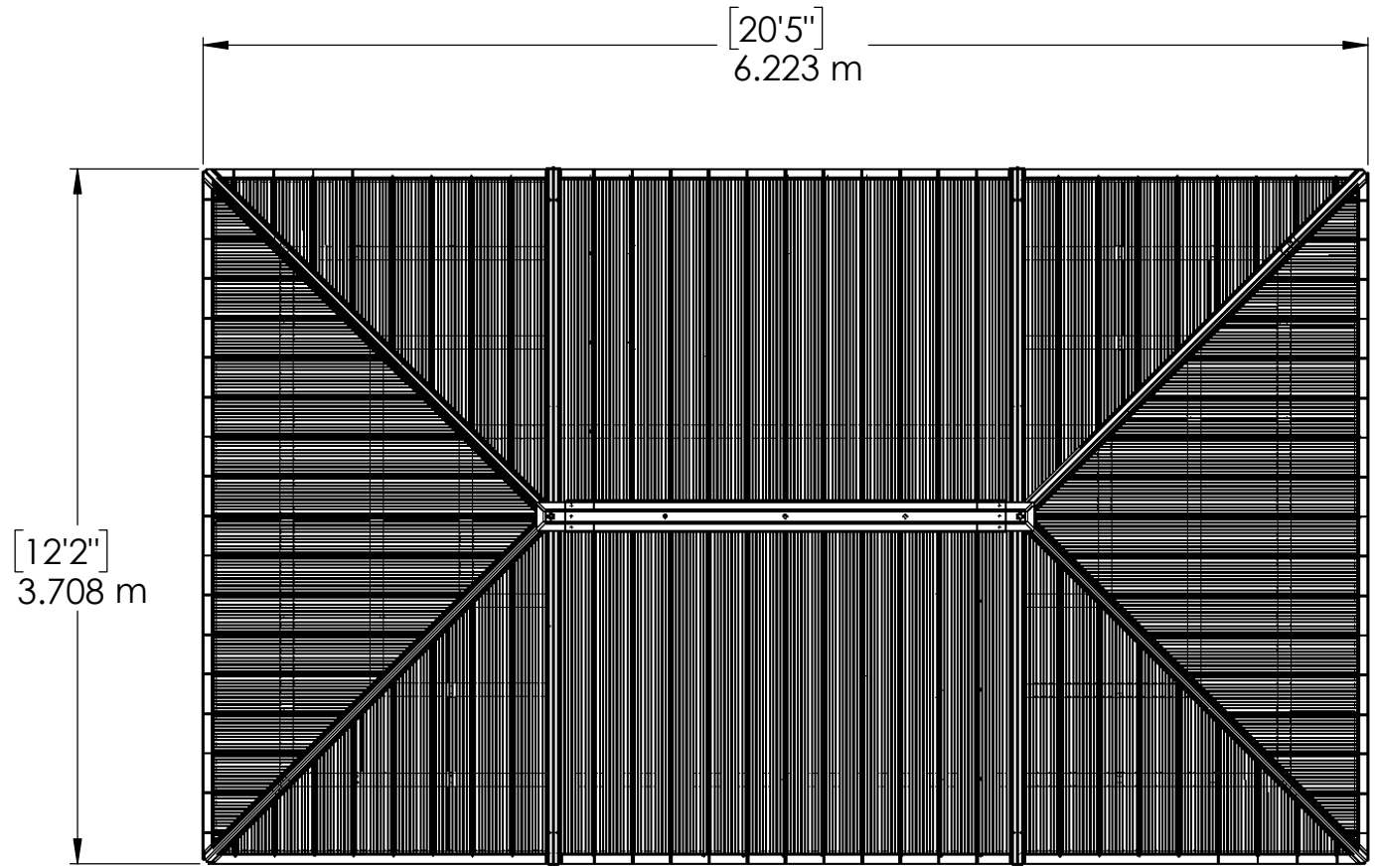
07-21-2022

YARDISTRY®

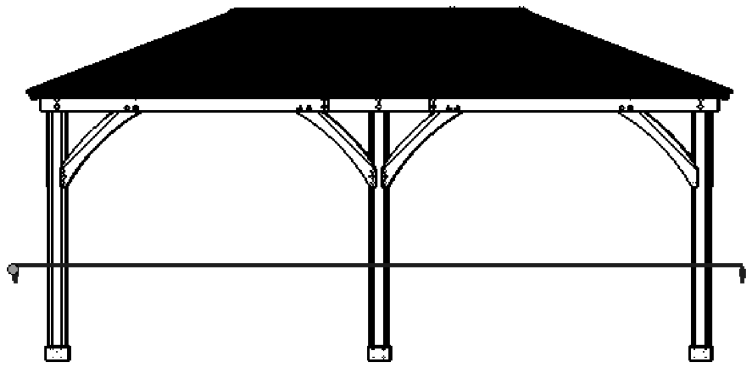
Yardistry – North America
Toll Free Customer Support:
1.888.509.4382

info@yardistrystructures.com
www.yardistrystructures.com

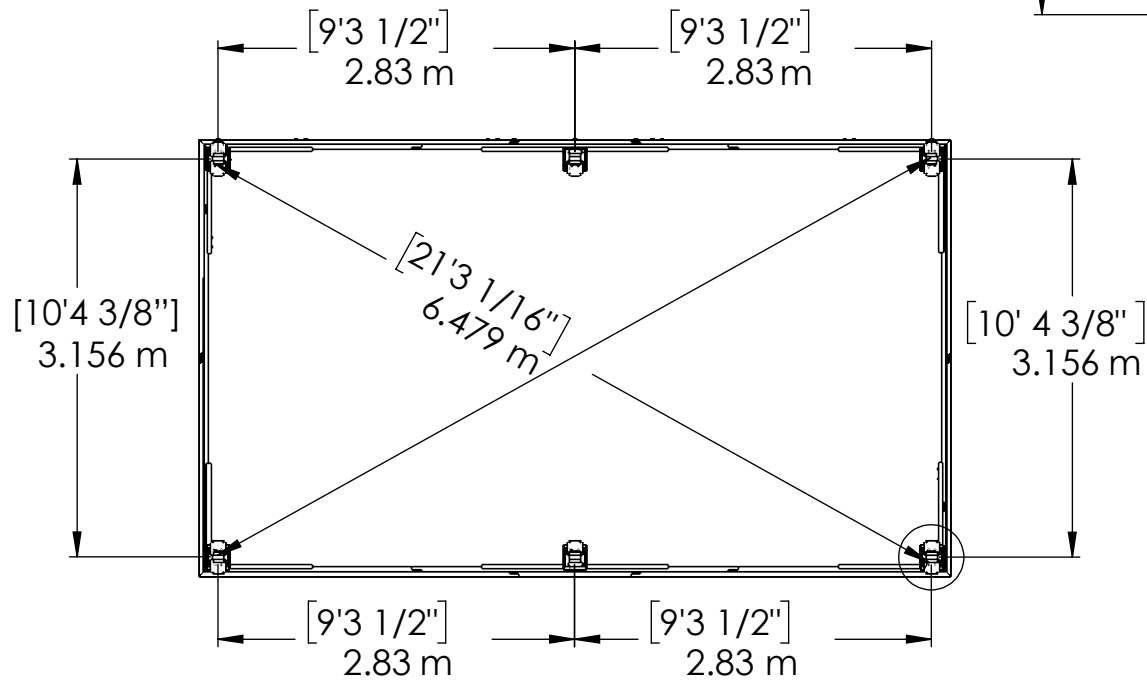
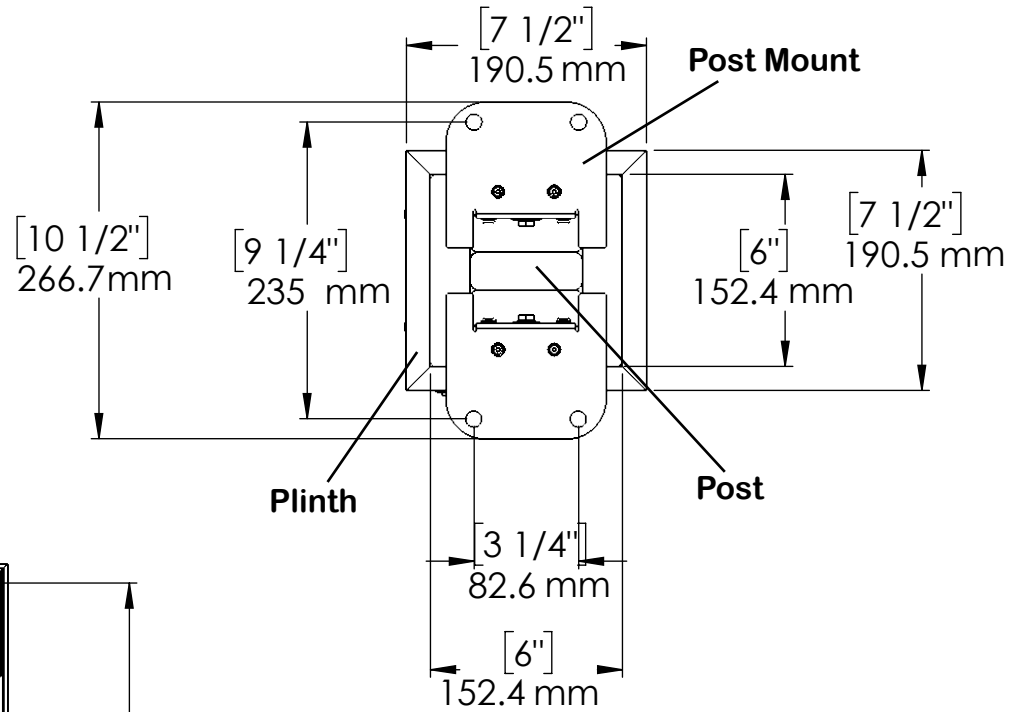




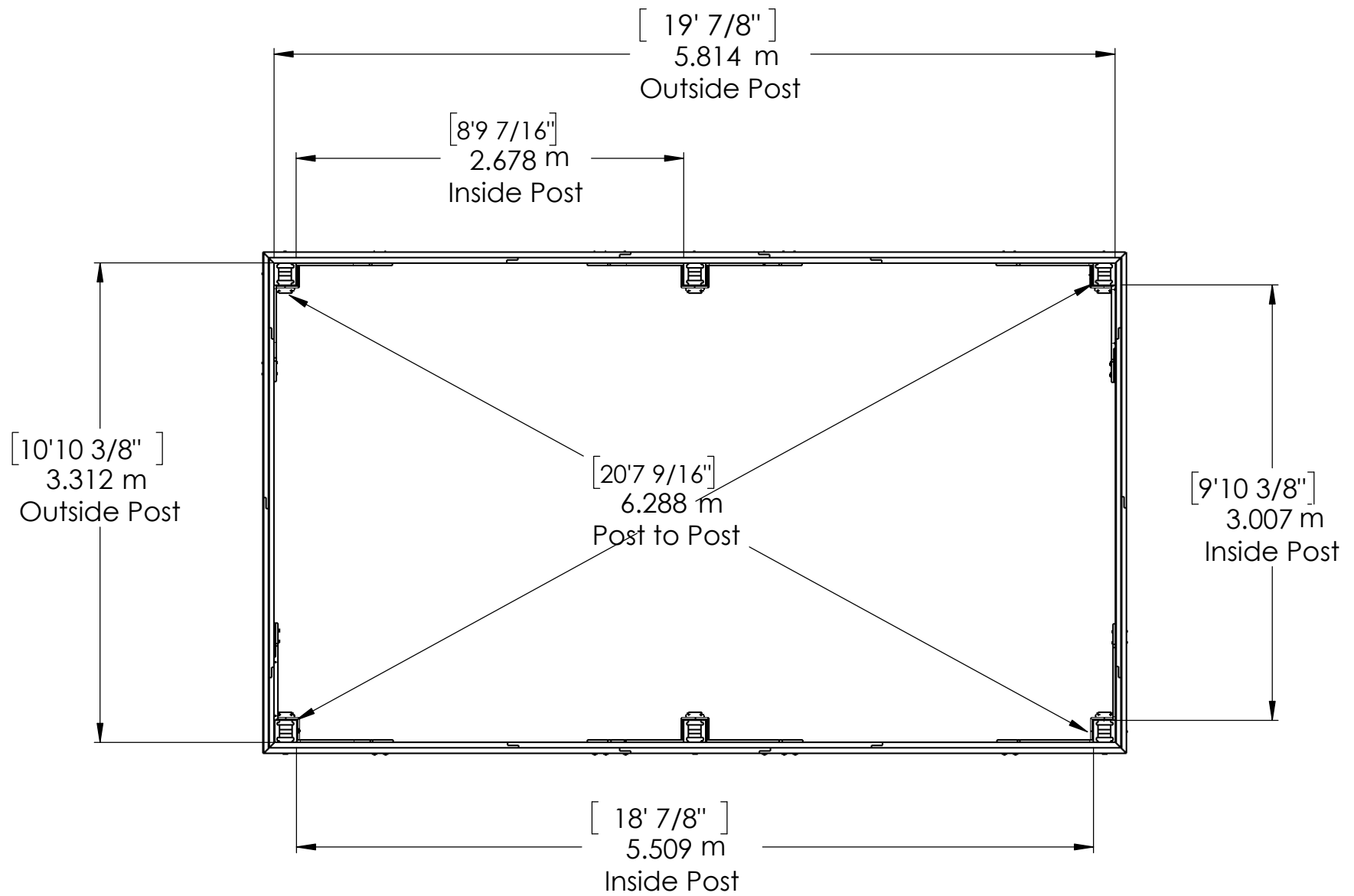
**YM11775 - 12 x 20
Meridian Gazebo**



Centre of Footing/Post
Dimensions



YM11775 - 12 x 20
Meridian Gazebo



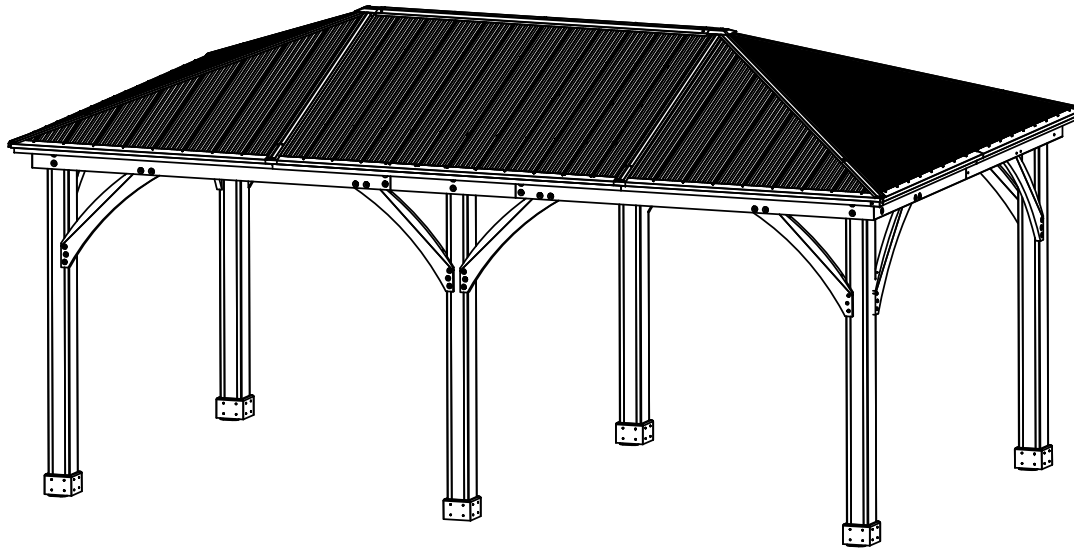
**YM11775 - 12 x 20
Meridian Gazebo**

Peak Height:
10' 2" (3.10m) :

Roof Dimensions:
20' 5" (6.22m) x 12' 2" (3.70m):

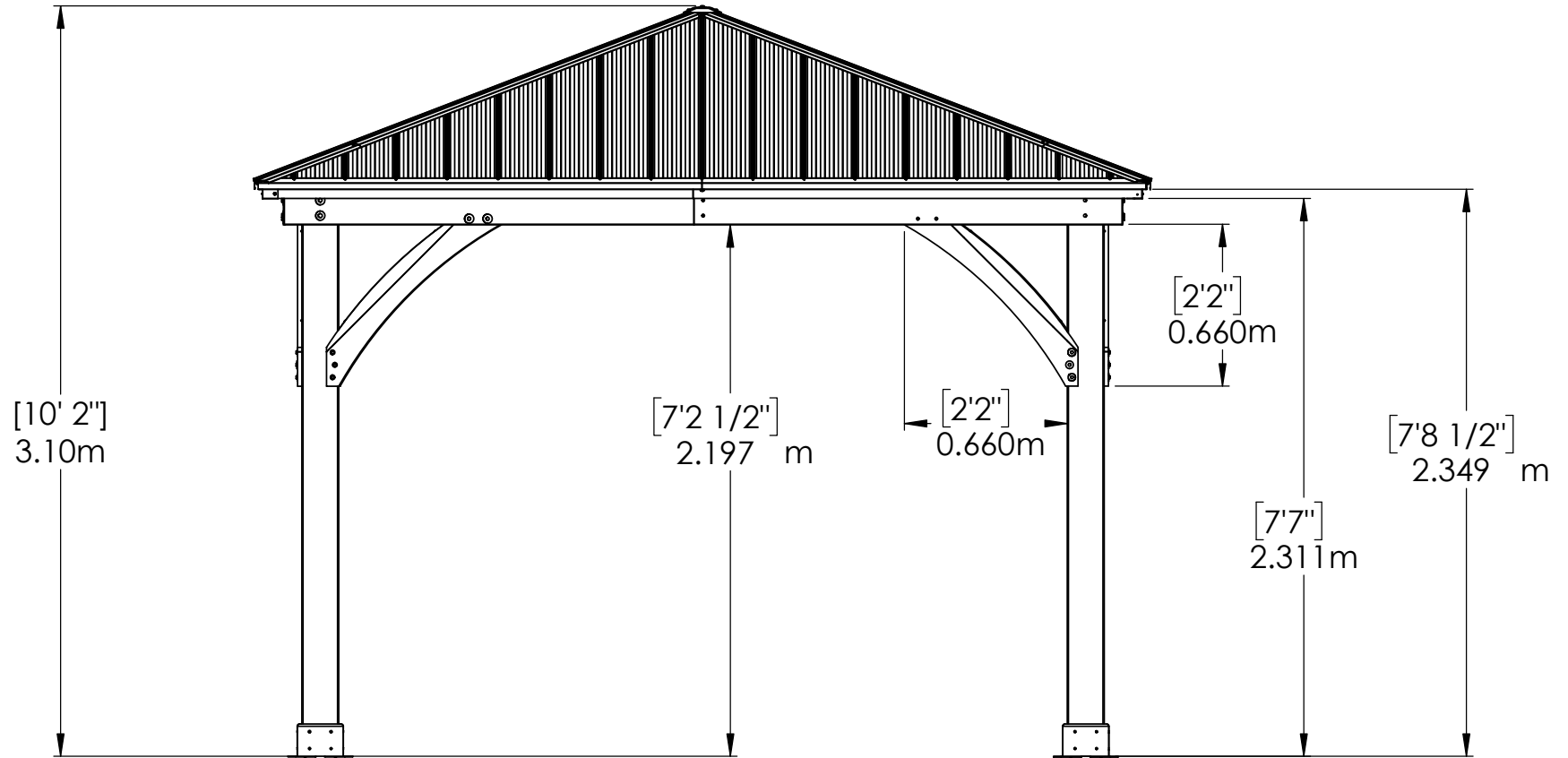
Outside Post Dimensions:
19' 0.87" (5.81m) x 10' 10.37" (3.31m)

Ground to bottom of beam:
7' 2.5" (2.19m))



**YM11775 - 12 x 20
Meridian Gazebo**

YM11775 - 12 x 20 Meridian Gazebo



PLAN ID: S-01
QTY: (6) Six



Create a timeless moment.®

Bench

Victor Stanley

www.victorstanley.com

PRSNA-10

6' length

Frame: black

Slate: recycled plastic- maple



PRSNA-10

Armless contoured bench. 4, 6 or 8 ft (1.2, 1.8 or 2.4 m) lengths. Nominal 2x3 (38x63 mm) slats. Surface mount.

STANDARD

All fabricated metal components are steel shotblasted, etched, phosphatized, preheated and electrostatically powder-coated with TGIC polyester powder coatings.

OPTIONS

Intermediate armrests (bolt-on). Wood slat seating. Maple, cherry, walnut or gray recycled plastic slat seating for 4 and 6 ft (1.2 and 1.8 m) lengths.

RETURN TO STANDARD VIEW

MATERIAL

Recycled Plastic

Wood

COLORS



Frame Color: Black

Optional RAL






SLATS



Slat Color: Maple






 Copyright 2013 - 2023 Victor Stanley, LLC.™ All rights reserved.
 1.800.368.2573 (USA + Canada) TEL 301.855.8300
 Most Victor Stanley benches are ADA compliant. Member of the ASLA.



Site Map ▾

Collections	Products	About Us	Contact Us	Design Resources
Anthro Sites™	Victor Stanley Relay	General Information	Request Form	Product Library
City Sites™	Litter Receptacles	Environmental Commitment	Find Your Representative	LA CES On-Demand
Classic	Recycling Stations	Manufacturing Capability	Support	Virtual LA CES™ & More
Concourse	Benches		Directions	Installations
Cycle Sentry™	Planters		E-News Sign-Up	My Account
Dynasty	Bike Racks & Bollards			
Economy	Tables			

Trash Receptacles

RTH-24 - Victor Stanley Site Furniture



Create a timeless moment.®

PLAN ID: S-11
QTY: (2) Two



RTH-24

Designed to maximize the relationship of the tubular steel elements of the fully welded frames with the colors and textures of the standard recycled slats. Design choices for every décor. Twenty-four nominal 2 x 3 (38 x 63 mm) recycled slats in a cylindrical configuration.

Standard tapered formed lid.

STANDARD

All fabricated metal components are steel shotblasted, etched, phosphatized, preheated and electrostatically powder-coated with TGIC polyester powder coatings.

Other standard features include a formed lid attached to the frame with two vinyl-coated steel aircraft cables, a high-density plastic liner, and rubber-tipped leveling feet on the base.

Interior plastic liners for our litter receptacles offer substantial value and are produced on molds that we designed and own. These plastic cans are reinforced, ribbed, and molded for durability, ease of use, and greater capacity.

OPTIONS

Maple, cherry, walnut or gray recycled plastic slats. Rain bonnet lid (ashtrays available). Dome lid (ashtrays available). Convex lid (self-close door available). Galvanized steel liner (powder coat available).

[RETURN TO STANDARD VIEW](#)

CAPACITY

24 gal (90 L)

COLORS

Standard



Optional RAL



SLATS

Recycled Plastic



LIDS



Product Specifications

Horizontal Bar

Product # HBAR

Actual equipment may look different than shown due to frequent design upgrades. This equipment is designed for individuals weighing up to 330 lbs.

Dimensions:

62" L x 8" W x 88" H

Color:

Green

Weight:

84 lbs

Assembly:

N/A

Optional unassembled version. Requires assembly in the field



Warranty:

Limited 5 year warranty on steel posts, welds, bars, and metal accessories. Limited 2 year warranty on bearings, clamps, and rubber parts.

Product Specification:

TriActive USA's HBAR assumes usage of American standard size tubing, namely 3" x 3" square tubing x 11ga, 1-1/4" OD round tubing x 11ga, and 1/4" hot rolled flat bar.

Powder Coating Specification:

Powder coating thickness 6-8 mils. Coatings are tested for 1000 hours of salt spray resistance. Pre-treated, iron phosphate applied, zinc powder applied, functional powder applied, and final TGIC powder coat is applied to provide outstanding weathering capabilities.

PLAN ID: S-14
QTY: 2 of 4

Product Specifications

Parallel Bar

Product # PBAR

Actual equipment may look different than shown due to frequent design upgrades.

This equipment is designed for individuals weighing up to 330 lbs.

Dimensions:

96" L x 34" W x 42" H

Color:

Green

Weight:

150 lbs

Assembly:

N/A



Warranty:

Limited 5 year warranty on steel posts, welds, bars, and metal accessories. Limited 2 year warranty on bearings, clamps, and rubber parts.

Product Specification:

TriActive USA's PBAR assumes usage of 1-1/2" Sch. 40 steel pipe that has an outside diameter of 1.90" (a common bar grip size in the fitness industry) and the bottom plate and gussets out of 1/4" flat bar stock. TriActive USA Fitness Equipment does not include any of the following: exposed cables, hydraulics or plastic seating.

Powder Coating Specification:

Powder coating thickness 6-8 mils. Coatings are tested for 1000 hours of salt spray resistance. Pre-treated, iron phosphate applied, zinc powder applied, functional powder applied, and final TGIC powder coat is applied to provide outstanding weathering capabilities.

Product Specifications

Pull Up & Dip Station

Product # PDIP

Actual equipment may look different than shown due to frequent design upgrades. This equipment is designed for individuals weighing up to 330 lbs.

Dimensions:

51" L x 43" W x 88" H

Color:

Green

Weight:

175 lbs

Assembly:

N/A

Warranty:

Limited 5 year warranty on steel posts, welds, bars, and metal accessories. Limited 2 year warranty on bearings, clamps, and rubber parts.

Product Specification:

TriActive USA's PDIP assumes usage of American standard size tubing, namely 3" x 3" square tubing x 11ga, 1-1/2" x 3" rectangular tubing x 11ga, 1-1/2" Sch. 40 pipe, 1-1/4" OD round tubing x 11ga, 1-1/2" x 1-1/2" square tubing x 16ga, 1/4" hot rolled flat bar, and 11ga carbon steel sheet metal. TriActive USA Fitness Equipment does not include any of the following: exposed cables, hydraulics or plastic seating.

Powder Coating Specification:

Powder coating thickness 6-8 mils. Coatings are tested for 1000 hours of salt spray resistance. Pre-treated, iron phosphate applied, zinc powder applied, functional powder applied, and final TGIC powder coat is applied to provide outstanding weathering capabilities.



PLAN ID: S-14
QTY: 4 of 4

Product Specifications

Rowing Machine

Product # ROWR

Actual equipment may look different than shown due to frequent design upgrades. This equipment is designed for individuals weighing up to 330 lbs.

Dimensions:

52" L x 32" W x 32" H

Color:

Green & Almond

Weight:

110 lbs

Assembly:

N/A



Warranty:

Limited 5 year warranty on steel posts, welds, bars, and metal accessories. Limited 2 year warranty on bearings, clamps, and rubber parts.

Metal Specs:

TriActive USA's ROWR assumes usage of American standard size tubing, namely 1-1/2" x 3" rectangular tubing x 11ga, 2" x 2" square tubing x 11ga, 1-1/2" OD round tubing x 11ga, 1-1/4" OD round tubing x 11ga, and 1/4" hot rolled flat bar. TriActive USA Fitness Equipment does not include any of the following: exposed cables, hydraulics or plastic seating.

Powder Coating Specs:

Powder coating thickness 6-8 mils. Coatings are tested for 1000 hours of salt spray resistance. Pre-treated, iron phosphate applied, zinc powder applied, functional powder applied, and final TGIC powder coat is applied to provide outstanding weathering capabilities.

Option:

When equipment is sold to corrections customers, it's constructed with non-removable, break away, tamper resistant hardware.

Pet Waste Stations

REV 6/20

INSTALLATION GUIDE

ITEM: KPAW3, KPAW61, KPAW62

PLAN ID: S-17
QTY: (2) Two

Deluxe Paw Pal® Pet Waste Station

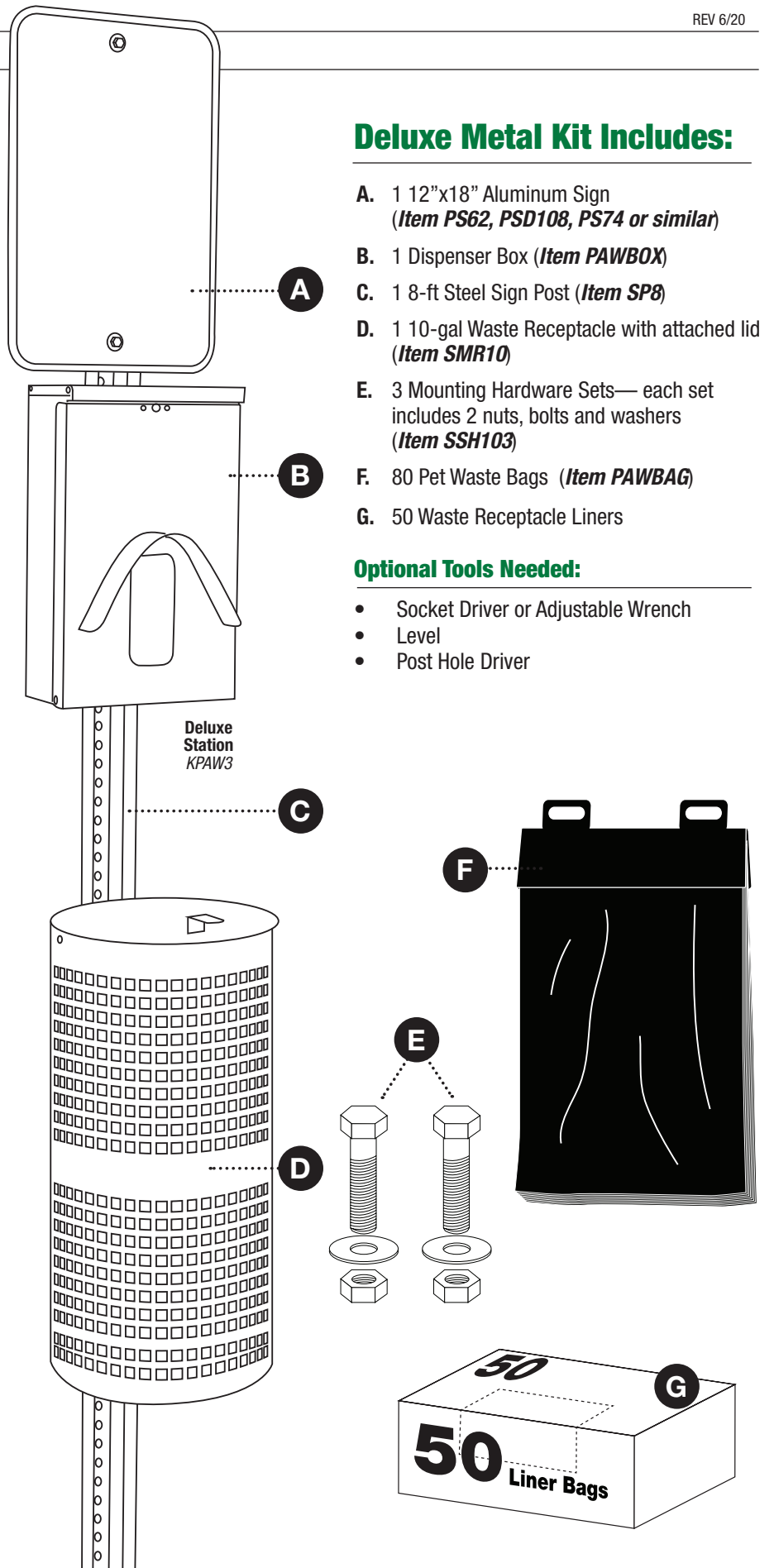
GREAT AMERICAN'S DELUXE PAW PAL® STATIONS:

- ★ Lifetime Guarantee
- ★ Rust-Proof Construction
- ★ Universal Fit holds all bags on header cards or rolls

SAVE 20% PLUS FREE SHIPPING ON EVERY BAG PURCHASE WITH OUR VIP REFILL PROGRAM!

- ★ Volume Discount Pricing—lock in prices at your annual quantity!
- ★ Flexible Delivery—adjust your order frequency and quantities at any time.
- ★ No obligations—this program is designed to save you money, not lock you into commitments. Pause and restart at any time!

CALL & JOIN TODAY!



Deluxe Metal Kit Includes:

- 1 12"x18" Aluminum Sign (*Item PS62, PSD108, PS74 or similar*)
- 1 Dispenser Box (*Item PAWBOX*)
- 1 8-ft Steel Sign Post (*Item SP8*)
- 1 10-gal Waste Receptacle with attached lid (*Item SMR10*)
- 3 Mounting Hardware Sets— each set includes 2 nuts, bolts and washers (*Item SSH103*)
- 80 Pet Waste Bags (*Item PAWBAG*)
- 50 Waste Receptacle Liners

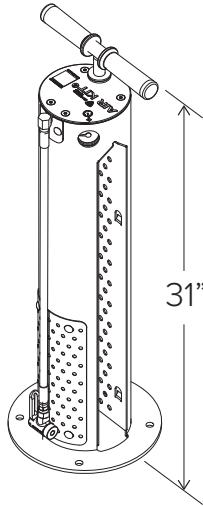
Optional Tools Needed:

- Socket Driver or Adjustable Wrench
- Level
- Post Hole Driver



Need Help? Give us a call! Great American • 1-800-231-0329 • www.gabpproperty.com

PLAN ID: S-20
QTY: (1) One



Surface Mount

MATERIALS

Main Body: 6" x 1/8" tube
Top: 1/8" aluminum
Manual air pump: Dero made, max 100psi
Foot: 1/4" steel

FINISHES

- Galvanized**
 An after fabrication hot dipped galvanized finish is our standard option.
- Powder Coat**
 Our powder coat finish assures a high level of adhesion and durability by following these steps:
 1. Sandblast
 2. Epoxy primer electrostatically applied
 3. Final thick TGIC polyester powder coat
- Stainless**
 Stainless Steel: 304 grade stainless steel material finished in either a high polished shine or a satin finish.

MOUNT OPTIONS

Surface Only
 Surface Mount has 10" diameter x .25" flange with four anchoring holes for mounting with standard wedge anchors. Tamper-resistant fasteners are included.

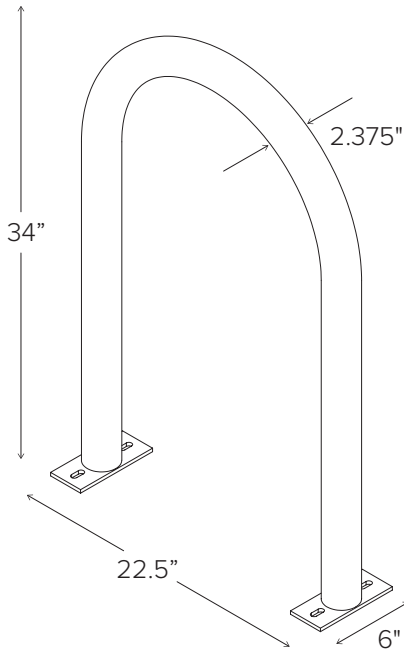
Bike Racks



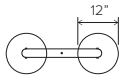
Hoop Rack Heavy Duty

Submittal Sheet

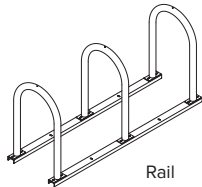
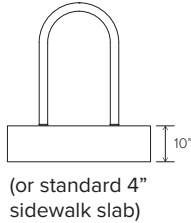
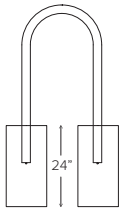
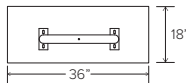
PLAN ID: S-21
QTY: (3) Three



IN-GROUND MOUNT



SURFACE MOUNT



CAPACITY 2 Bikes

MATERIALS 2" schedule 40 pipe (2.375" OD)

FINISHES

- Galvanized**
An after fabrication hot dipped galvanized finish is our standard option.
- Powder Coat**
Our powder coat finish assures a high level of adhesion and durability by following these steps:
1. Sandblast
2. Epoxy primer electrostatically applied
3. Final thick TGIC polyester powder coat
- Stainless**
Stainless Steel: 304 grade stainless steel material finished in either a high polished shine or a satin finish.

MOUNT OPTIONS

- Surface**
Foot Mount has two 2.5" x 6" x .25" feet with two anchors per foot. Specify foot mount for this option. Tamper-resistant fasteners available upon request.
- In-Ground**
In-ground mount is embedded into concrete base. Specify in-ground mount for this option
- Rail**
Rail Mounted Downtown Racks are bolted to two parallel rails which can be left freestanding or anchored to the ground. Rails are heavy duty 3" x 1.4" x 3/16" thick galvanized mounting rails. Specify rail mount for this option.

Rack Angle:



90



45A



45B



60A



60B

OPTIONAL LEAN BAR

- Add Lean Bar**

