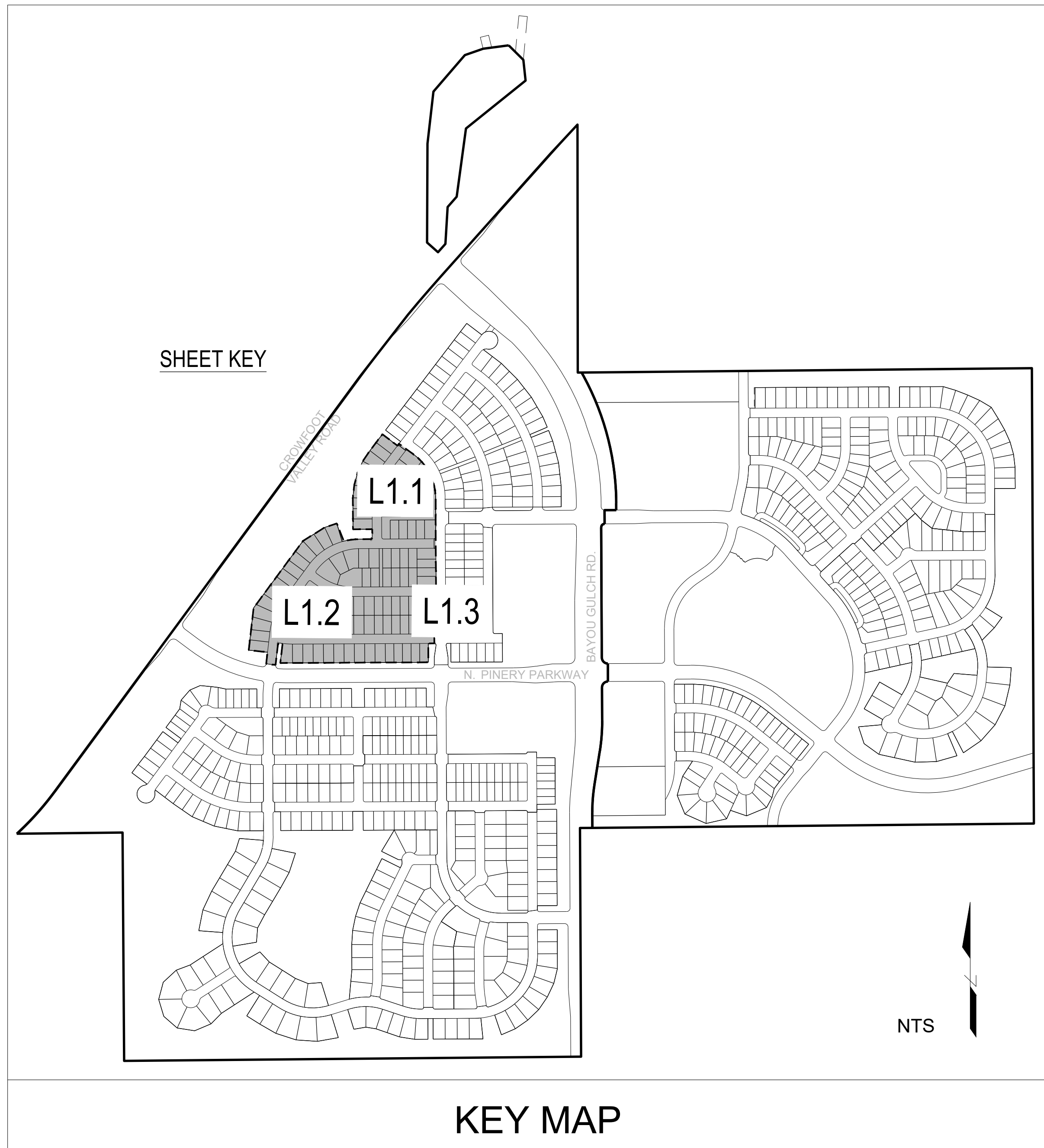


# TRAILS AT CROWFOOT

## FILING NO. 3 FINAL LANDSCAPE PLAN

### GENERAL NOTES

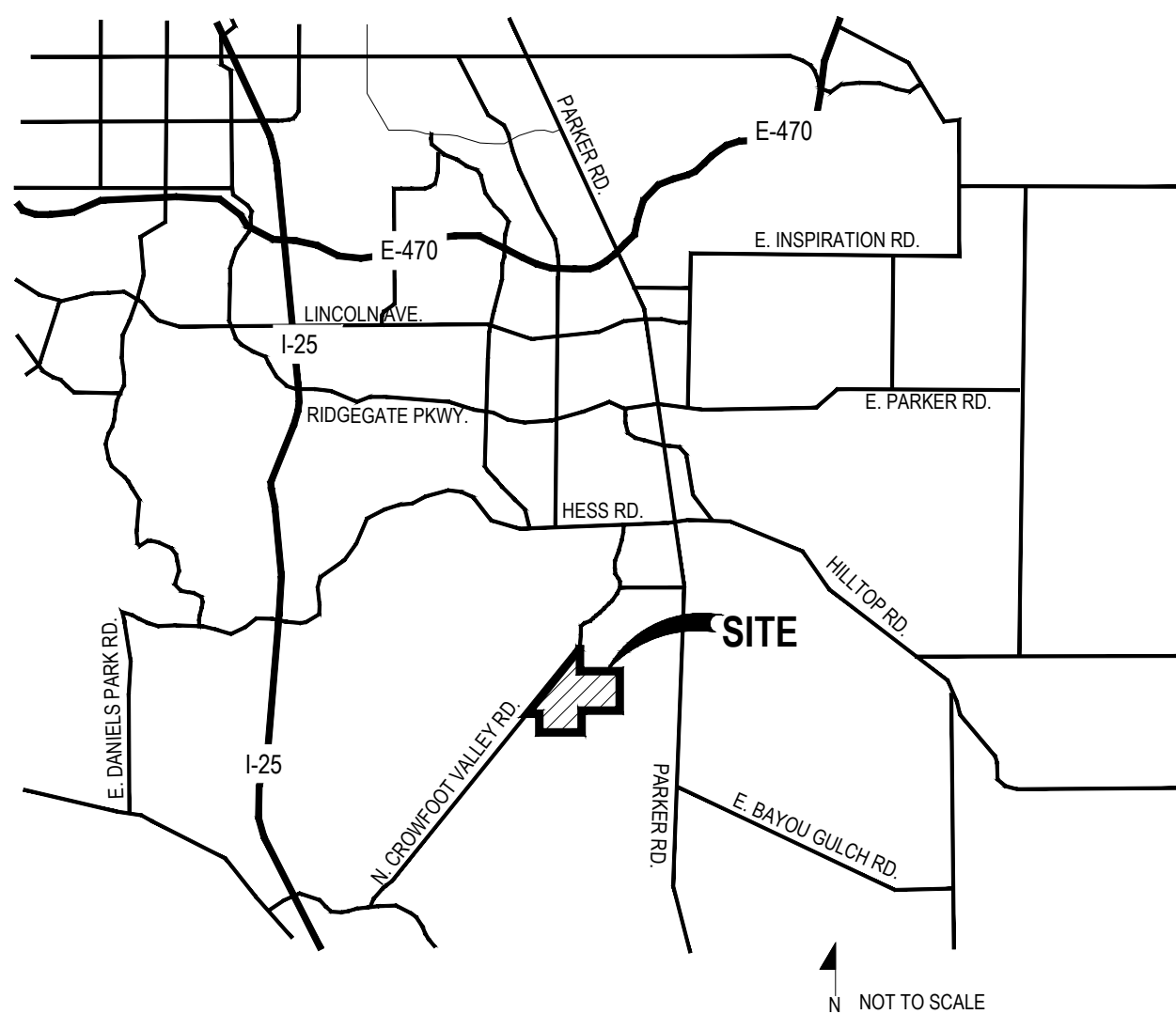
- DRAWINGS ARE INTENDED TO BE PRINTED ON 24 X 36 PAPER. PRINTING THESE DRAWINGS AT A DIFFERENT SIZE WILL IMPACT THE SCALE. VERIFY THE GRAPHIC SCALE BEFORE REFERENCING ANY MEASUREMENTS ON THESE SHEETS. THE RECIPIENT OF THESE DRAWINGS SHALL BE RESPONSIBLE FOR ANY ERRORS RESULTING FROM INCORRECT PRINTING, COPYING, OR ANY OTHER CHANGES THAT ALTER THE SCALE OF THE DRAWINGS.
- VERIFY ALL PLAN DIMENSIONS PRIOR TO START OF CONSTRUCTION. NOTIFY THE OWNER'S REPRESENTATIVE TO ADDRESS ANY QUESTIONS OR CLARIFY ANY DISCREPANCIES.
- WRITTEN DIMENSIONS TAKE PRECEDENCE OVER SCALED DIMENSIONS.
- SUBMIT A CHANGE ORDER FOR APPROVAL FOR ANY CHANGES TO WORK SCOPE RESULTING FROM FIELD CONDITIONS OR DIRECTION BY OWNER'S REPRESENTATIVE WHICH REQUIRE ADDITIONAL COST TO THE OWNER PRIOR TO PERFORMANCE OF WORK.
- THE CONTRACTOR SHALL PROVIDE A STAKED LAYOUT OF ALL SITE IMPROVEMENTS FOR INSPECTION BY THE OWNER'S REPRESENTATIVE AND MAKE MODIFICATIONS AS REQUIRED. ALL LAYOUT INFORMATION IS AVAILABLE IN DIGITAL FORMAT FOR USE BY THE CONTRACTOR.
- IF A GEOTECHNICAL SOILS REPORT IS NOT AVAILABLE AT THE TIME OF CONSTRUCTION, PCS GROUP, INC. RECOMMENDS A REPORT BE AUTHORIZED BY THE OWNER AND THAT ALL RECOMMENDATIONS OF THE REPORT ARE FOLLOWED DURING CONSTRUCTION.
- THE CONTRACTOR SHALL USE THESE CONTRACT DOCUMENTS AS A BASIS FOR THE BID. IF THE OWNER ELECTS TO PROVIDE A GEOTECHNICAL REPORT, THE CONTRACTOR SHALL REVIEW THE REPORT AND SUBMIT AN APPROPRIATE CHANGE ORDER TO THE OWNER'S REPRESENTATIVE IF ADDITIONAL COSTS ARE REQUESTED.
- CONTRACTOR SHALL CONFIRM THAT SITE CONDITIONS ARE SIMILAR TO THE PLANS WITHIN TOLERANCES STATED IN THE CONTRACT DOCUMENTS, AND SATISFACTORY TO THE CONTRACTOR PRIOR TO START OF WORK. SHOULD SITE CONDITIONS BE DIFFERENT THAN REPRESENTED ON THE PLANS OR UNSATISFACTORY TO THE CONTRACTOR, THE CONTRACTOR SHALL CONTACT THE OWNER'S REPRESENTATIVE FOR CLARIFICATION AND FURTHER DIRECTION.
- CONTRACTOR IS RESPONSIBLE TO PAY FOR, AND OBTAIN, ANY REQUIRED APPLICATIONS, PERMITTING, LICENSES, INSPECTIONS AND METERS ASSOCIATED WITH WORK.
- THE CONTRACTOR SHALL BE RESPONSIBLE FOR ANY FINES OR PENALTIES ASSESSED TO THE OWNER RELATING TO ANY VIOLATIONS OR NON-CONFORMANCE WITH THE PLANS, SPECIFICATIONS, CONTRACT DOCUMENTS, JURISDICTIONAL CODES AND REGULATORY AGENCIES.
- THE CONTRACTOR SHALL BE RESPONSIBLE FOR COORDINATION OF ALL UTILITY LOCATES PRIOR TO ANY EXCAVATION. NOTIFY OWNER'S REPRESENTATIVE IF EXISTING OR PROPOSED UTILITIES INTERFERE WITH THE ABILITY TO PERFORM WORK.
- UNLESS IDENTIFIED ON THE PLANS FOR DEMOLITION OR REMOVAL, THE CONTRACTOR IS RESPONSIBLE FOR THE COST TO REPAIR UTILITIES, ADJACENT OR EXISTING LANDSCAPE, ADJACENT OR EXISTING PAVING, OR ANY PUBLIC AND PRIVATE PROPERTY THAT IS DAMAGED BY THE CONTRACTOR OR THEIR SUBCONTRACTOR'S OPERATIONS DURING INSTALLATION, ESTABLISHMENT OR DURING THE SPECIFIED MAINTENANCE PERIOD. ALL DAMAGES SHALL BE REPAIRED TO PRE-CONSTRUCTION CONDITIONS AS DETERMINED BY THE OWNER'S REPRESENTATIVE. CONTRACTOR SHALL BE RESPONSIBLE FOR LOGGING ANY DAMAGES PRIOR TO START OF CONSTRUCTION AND DURING THE CONTRACT PERIOD. ANY AREAS OR IMPROVEMENTS DISTURBED OUTSIDE WORK AREA LIMITS SHALL BE RETURNED TO THEIR ORIGINAL CONDITION AT THE CONTRACTOR'S EXPENSE. IN THE EVENT THE CONTRACTOR REQUIRES A MODIFICATION TO THE CONSTRUCTION LIMITS, WRITTEN PERMISSION MUST BE OBTAINED FROM THE OWNER'S REPRESENTATIVE PRIOR TO ANY DISTURBANCE OUTSIDE OF THE LIMITS OF WORK.
- THE CONTRACTOR SHALL BE RESPONSIBLE FOR THE REPAIR OF ANY OF THEIR TRENCHES OR EXCAVATIONS THAT SETTLE.
- THE CONTRACTOR SHALL BE RESPONSIBLE TO PREPARE AND SUBMIT A TRAFFIC CONTROL PLAN TO THE APPROPRIATE JURISDICTIONAL AGENCIES AND THE OWNER'S REPRESENTATIVE IF THEIR WORK AND OPERATIONS AFFECT OR IMPACT THE PUBLIC RIGHTS-OF-WAY. OBTAIN APPROVAL PRIOR TO ANY WORK WHICH AFFECTS OR IMPACTS THE PUBLIC RIGHTS-OF-WAY. THE CONTRACTOR SHALL BE RESPONSIBLE FOR ANY FINES OR PENALTIES ASSESSED TO THE OWNER RELATING TO THIS REQUIREMENT DURING THE CONTRACT PERIOD.
- SIGHT TRIANGLES AND SIGHT LINES SHALL REMAIN UNOBSTRUCTED BY EQUIPMENT, CONSTRUCTION MATERIALS, PLANT MATERIAL OR ANY OTHER VISUAL OBSTACLE DURING THE CONTRACT PERIOD AND AT MATURITY OF PLANTS PER LOCAL JURISDICTIONAL REQUIREMENTS. NO PLANT MATERIAL OTHER THAN GROUND COVER IS ALLOWED TO BE PLANTED ADJACENT TO FIRE HYDRANTS AS STIPULATED BY JURISDICTIONAL REQUIREMENTS.
- COORDINATE SITE ACCESS, STAGING, STORAGE AND CLEAN OUT AREAS WITH OWNER'S REPRESENTATIVE. CONTRACTOR IS RESPONSIBLE FOR PROVIDING TEMPORARY SAFETY FENCING AND BARRIERS AROUND ALL IMPROVEMENTS SUCH AS WALLS, PLAY STRUCTURES, EXCAVATIONS, ETC. ASSOCIATED WITH THEIR WORK UNTIL SUCH FACILITIES ARE COMPLETELY INSTALLED PER THE PLANS, SPECIFICATIONS AND MANUFACTURERS' RECOMMENDATIONS.
- CONTRACTOR SHALL BE RESPONSIBLE FOR PROTECTION OF THEIR MATERIAL STOCKPILES CONCRETE IN THE STORM SEWER IS PROHIBITED.
- THE CONTRACTOR SHALL KNOW, UNDERSTAND AND ABIDE BY ANY STORM WATER POLLUTION PREVENTION PLAN (SWPPP) ASSOCIATED WITH THE SITE. IF A STORM WATER POLLUTION PREVENTION PLAN IS NOT PROVIDED BY THE OWNER'S REPRESENTATIVE, REQUEST A COPY BEFORE PERFORMANCE OF ANY SITE WORK.
- CONTRACTOR SHALL MAINTAIN ANY STORM WATER MANAGEMENT FACILITIES THAT EXIST ON SITE FOR FULL FUNCTIONALITY. THE CONTRACTOR SHALL INSTALL AND MAINTAIN ANY NEW STORM WATER MANAGEMENT FACILITIES THAT ARE IDENTIFIED IN THE SCOPE OF WORK TO FULL FUNCTIONALITY. THE CONTRACTOR SHALL BE RESPONSIBLE FOR ANY FINES OR PENALTIES ASSESSED TO THE OWNER FOR FAILURE TO MAINTAIN STORM WATER MANAGEMENT FACILITIES DURING THE CONTRACT PERIOD.
- THE CONTRACTOR SHALL PREVENT SEDIMENT, DEBRIS AND ALL OTHER POLLUTANTS FROM EXITING THE SITE OR ENTERING THE STORM SEWER SYSTEM DURING ALL DEMOLITION OR CONSTRUCTION OPERATIONS THAT ARE PART OF THIS PROJECT. THE CONTRACTOR SHALL BE RESPONSIBLE FOR ANY FINES OR PENALTIES ASSESSED TO THE OWNER RELATING TO THESE REQUIREMENTS DURING THEIR CONTRACTED COURSE OF WORK.
- THE CONTRACTOR SHALL BE RESPONSIBLE TO PREVENT ANY IMPACTS TO ADJACENT WATERWAYS, WETLANDS, OR OTHER ENVIRONMENTALLY SENSITIVE AREAS RESULTING FROM WORK DONE AS PART OF THIS PROJECT. THE CONTRACTOR SHALL BE RESPONSIBLE FOR ANY FINES OR PENALTIES ASSESSED TO THE OWNER RELATING TO THESE REQUIREMENTS.
- THE CONTRACTOR AND OR THEIR AUTHORIZED AGENTS SHALL INSURE THAT ALL LOADS OF CONSTRUCTION MATERIAL IMPORTED TO OR EXPORTED FROM THE PROJECT SITE SHALL BE PROPERLY COVERED TO PREVENT LOSS OF MATERIAL DURING TRANSPORT. TRANSPORTATION METHODS ON PUBLIC RIGHT-OF-WAYS SHALL CONFORM TO JURISDICTIONAL REQUIREMENTS. THE CONTRACTOR SHALL BE RESPONSIBLE FOR ANY FINES OR PENALTIES ASSESSED TO THE OWNER RELATING TO THESE REQUIREMENTS.
- THE CLEANING OF EQUIPMENT IS PROHIBITED AT THE JOB SITE UNLESS AUTHORIZED BY THE OWNER'S REPRESENTATIVE IN A DESIGNATED AREA. THE DISCHARGE OF WATER, WASTE CONCRETE, POLLUTANTS, OR OTHER MATERIALS SHALL ONLY OCCUR IN AREAS DESIGNED FOR SUCH USE AND APPROVED BY THE OWNER'S REPRESENTATIVE.



SHEET KEY

KEY MAP

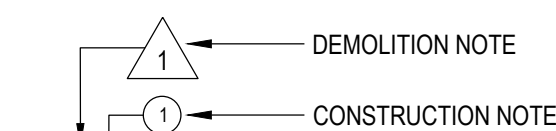
VICINITY MAP



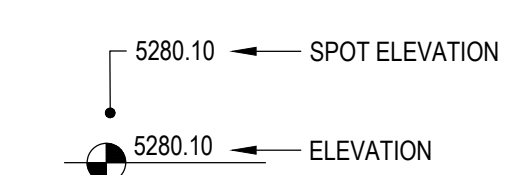
### SYMBOLS & ABBREVIATIONS

- |                            |                          |                                   |
|----------------------------|--------------------------|-----------------------------------|
| AC. = ACRE                 | EXP. = EXPANSION         | O.C. = ON CENTER                  |
| APPROXIMATE = APPROX.      | E.W. = EACH WAY          | O.D. = OUTSIDE DIAMETER           |
| B&B = BALL AND BURLAP      | F.F. = FINISH FLOOR      | P.O.B. = POINT OF BEGINNING       |
| BOC = BACK OF CURB         | F.G. = FINISH GRADE      | P.O.C. = POINT OF CONNECTION      |
| B.M. = BENCH MARK          | FIN. = FINISH            | P.V.C. = POLYVINYL CHLORIDE       |
| BLDG. = BUILDING           | F.H. = FIRE HYDRANT      | PIPE                              |
| B.S. = BOTTOM OF STAIR     | FL = FLOW LINE           | PL = PROPERTY LINE                |
| B.W. = BOTTOM OF WALL      | FTG. = FOOTING           | R = RADIUS                        |
| CAL. = CALIPER             | FT. = FEET               | R.C.P. = REINFORCED CONCRETE PIPE |
| C.B. = CATCH BASIN         | GA. = GAUGE              | R.O.W. = RIGHT OF WAY             |
| CL CATCH BASIN CENTER LINE | GALV. = GALVANIZED       | REQ'D. = REQUIRED                 |
| C.O. = CLEANOUT            | H.W. = HEAD WALL         | REINF. = REINFORCED               |
| COL. = COLUMN              | H.P. = HIGH POINT        | SHT. = SHEET                      |
| CONC. = CONCRETE           | HT. = HEIGHT             | SPEC. = SPECIFICATIONS            |
| CONT. = CONTINUOUS         | HORIZ. = HORIZON         | SQ. = SQUARE                      |
| CONTR. = CONTRACTOR        | I.D. = INNER DIAMETER    | S.F. = SQUARE FEET                |
| C.F. = CUBIC FEET          | IN. = INCH               | S.V. = SQUARE YARD                |
| C.Y. = CUBIC YARD          | INV. = INVERT            | S.S. = STAINLESS STEEL            |
| DET. = DETAIL              | L.P. = LOW POINT         | T.C. = TOP OF CURB                |
| DIM. = DIMENSION           | L.F. = LINEAR FEET       | T.S. = TOP OF STAIR               |
| DIA. = DIAMETER            | MAX. = MAXIMUM           | T.W. = TOP OF WALL                |
| DWG. = DRAWING             | M.H. = MAN HOLE          | TYP. = TYPICAL                    |
| E.A. = EACH                | MIN. = MINIMUM           | VERT. = VERTICAL                  |
| ELEV. = ELEVATION          | MISC. = MISCELLANEOUS    | W/O = WITH OUT                    |
| EXIST. = EXISTING          | N.I.C. = NOT IN CONTRACT | W.W.M. = WOVEN WIRE MESH          |
| E.P. = EDGE OF PAVING      | N.T.S. = NOT TO SCALE    |                                   |

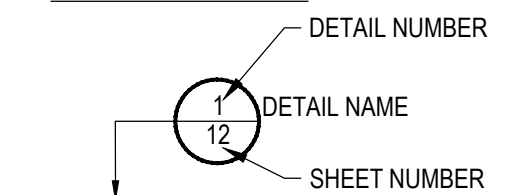
### NOTE IDENTIFICATION



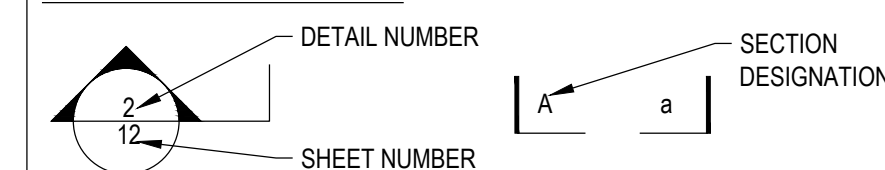
### ELEVATION IDENTIFICATION



### DETAIL IDENTIFICATION



### DETAIL SECTION IDENTIFICATION



Sheet Number	Sheet Title
L0.0	LANDSCAPE COVER SHEET
L0.1	LANDSCAPE NOTES & PLANT SCHEDULE
L1.0	OVERALL LANDSCAPE PLAN
L1.1	LANDSCAPE PLAN
L1.2	LANDSCAPE PLAN
L1.3	LANDSCAPE PLAN
L1.4	PARK LAYOUT ENLARGEMENT
L1.5	PARK GRADING ENLARGEMENT
L2.0	SITE & LANDSCAPE DETAILS
L2.1	SITE & LANDSCAPE DETAILS
L2.2	SITE & LANDSCAPE DETAILS
L2.3	SITE & LANDSCAPE DETAILS
IR 1.0	IRRIGATION LEGEND & NOTES
IR 1.1	IRRIGATION DESIGN
IR 2.1	IRRIGATION DETAILS

OWNER / DEVELOPER

ESX MANAGEMENT  
7353 SOUTH ALTON WAY  
CENTENNIAL, CO 80112

PLANNER / LANDSCAPE ARCHITECT

people creating spaces  
pcs group inc. www.pcsgroupco.com  
#3, 8-180 Independence plaza  
1007 16th street, denver co 80265  
1.303.531.4905, 1.303.531.4908

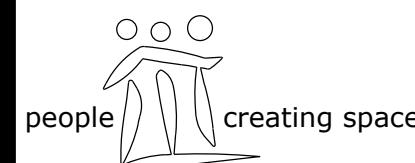
CIVIL ENGINEER

**CVL** CONSULTANTS  
10333 E. DRY CREEK RD. #240  
ENGLEWOOD, CO 80112  
720-482-9526

Prepared For

ESX MANAGEMENT  
7353 SOUTH ALTON WAY  
CENTENNIAL, CO 80112

Land Planning



pcs group inc. www.pcsgroupco.com  
#3, 8-180 Independence plaza  
1007 16th street, denver co 80265  
1.303.531.4905, 1.303.531.4908

Engineering



10333 E. DRY CREEK RD. #240  
ENGLEWOOD, CO 80112  
720-482-9526

TRAILS AT CROWFOOT  
FILING NO. 3  
PARKER, COLORADO  
FINAL LANDSCAPE PLANS

Drawn by: JWI, BEM, GG  
Checked by: PCS STAFF  
Submittal Date: 04.18.2017  
12.15.2017  
3.2.2018  
4.13.2018  
10.18.2021  
6.26.2023

Sheet Name

LANDSCAPE COVER SHEET

Sheet Number

L0.0

# LANDSCAPE NOTES

- SITE PREP**
- LANDSCAPE CONTRACTOR TO REFERENCE CIVIL ENGINEERING DRAWINGS REGARDING DRAINAGE AND EROSION CONTROL NOTES, DETAILS AND PROCEDURES.
  - ALL WORK SHALL CONFORM TO LOCAL MUNICIPAL CODES. ALL WORK SHALL BE IN ACCORDANCE WITH OSHA CODES AND STANDARDS. NOTHING INDICATED ON THE LANDSCAPE DRAWINGS SHALL RELIEVE THE CONTRACTOR FROM COMPLYING WITH ANY APPROPRIATE SAFETY REGULATIONS. ALL UTILITY EASEMENTS SHALL REMAIN UNOBSTRUCTED AND FULLY ACCESSIBLE ALONG THEIR ENTIRE LENGTH FOR USE OF MAINTENANCE EQUIPMENT ENTRY.
  - SEE CIVIL ENGINEER'S DRAWINGS FOR GRADING AND DRAINAGE, EROSION CONTROL, PAVING AND SLEEVES, UTILITIES, AND OTHER ENGINEERED DETAILS.
  - CONTRACTOR SHALL ENSURE POSITIVE DRAINAGE AWAY FROM ALL STRUCTURES.
  - A PRE-CONSTRUCTION MEETING MAY BE REQUIRED BETWEEN THE LANDSCAPE CONTRACTOR, PROPERTY OWNER AND LANDSCAPE ARCHITECT BEFORE START OF CONSTRUCTION.
  - CONTRACTOR SHALL MINIMIZE ALL DISTURBANCE TO NON-IMPACTED AREAS.
  - SITE MUST BE CLEAN AND FREE OF ALL CONSTRUCTION DEBRIS BEFORE FINAL ACCEPTANCE.
  - CONTRACTOR IS RESPONSIBLE FOR SETUP OF BARRICADES, WARNING SIGNAGE, OR OTHER PROTECTIVE DEVICES IF ANY EXCAVATIONS ARE LEFT EXPOSED AFTER ON-SITE WORK HOURS.
  - IT IS THE CONTRACTOR'S RESPONSIBILITY TO ACQUIRE ALL NECESSARY PERMITS FOR CONSTRUCTION WORK WITHIN THE LOCAL JURISDICTION. A SEPARATE LANDSCAPE CONSTRUCTION PERMIT IS REQUIRED AND USE AND SALES TAX WILL BE COLLECTED. WATER CONNECTION FEES ARE TO BE PAID PRIOR TO THE METER SETTING. A BACK FLOW PERMIT AND INSPECTION IS REQUIRED PRIOR TO THE METER BEING INSTALLED IN THE VAULT.
  - TOPSOIL IS TO BE STRIPPED & STOCKPILED ON-SITE FOR LATER USE.
  - CONTRACTOR IS RESPONSIBLE FOR REPLACEMENT OF ANY EXISTING OR NEW SITE IMPROVEMENTS DISTURBED OR DAMAGED DUE TO THEIR OPERATIONS. DAMAGED MATERIALS SHALL BE REPLACED/REPAIRED TO ITS PRIOR CONDITION.
  - LOCATE ALL UTILITIES PRIOR TO ANY DIGGING OR LANDSCAPE PLANTING. CONTRACTOR SHALL HAND DIG ALL PLANTING PITS ADJACENT TO UTILITIES. IF UTILITIES ARE DAMAGED, REPAIRS SHALL BE MADE AT THE CONTRACTOR'S EXPENSE.
  - PRIOR TO INSTALLATION OF PLANT MATERIALS, AREAS THAT HAVE BEEN COMPACTED OR DISTURBED BY CONSTRUCTION ACTIVITY SHALL BE THOROUGHLY LOOSENED & AMENDED.
  - ALL LANDSCAPE AREAS SHALL RECEIVE SOIL AMENDMENT ROTOTILLED AT A MIN. 8" DEPTH AT A RATE OF 4 CUBIC YARDS PER 1,000 SF.
  - CONTRACTOR SHALL SUBMIT SOIL AMENDMENT SPECIFICATIONS FOR APPROVAL PRIOR TO INSTALLATION.
  - THE LANDSCAPE CONTRACTOR SHALL BE RESPONSIBLE FOR ENSURING POSITIVE DRAINAGE EXISTS IN ALL LANDSCAPE AREAS. SURFACE DRAINAGE ON LANDSCAPE AREAS SHALL NOT FLOW TOWARD STRUCTURES AND FOUNDATIONS. MAINTAIN SLOPE AWAY FROM FOUNDATIONS PER THE GEOTECH REPORT RECOMMENDATIONS. ALL LANDSCAPE AREAS BETWEEN WALKS AND CURBS SHALL DRAIN FREELY TO THE CURB UNLESS OTHERWISE IDENTIFIED ON THE GRADING PLAN. IN NO CASE SHALL THE GRADE, TURF THATCH, OR OTHER LANDSCAPE MATERIALS DAM WATER AGAINST WALKS. MINIMUM SLOPES ON LANDSCAPE AREAS SHALL BE 2%, MAXIMUM SLOPE SHALL BE 25% UNLESS SPECIFICALLY IDENTIFIED ON THE PLANS OR APPROVED BY LANDSCAPE ARCHITECT.

## TURF, PLANT & GROUND COVER MATERIAL

- ANY SUBSTITUTION OR ALTERATION OF PLANT OR LANDSCAPE MATERIALS IN LOCATION, SPECIES, TYPE, ETC. SHALL BE ALLOWED ONLY WITH APPROVAL OF THE LANDSCAPE ARCHITECT. OVERALL PLANT QUANTITY AND QUALITY TO BE CONSISTENT WITH APPROVED PLANS.
- ALL PLANT MATERIALS SHALL BE IN ACCORDANCE WITH AAN SPECIFICATIONS FOR NUMBER ONE GRADE.
- PROPOSED TREE LOCATIONS SHALL HAVE A MINIMUM SEPARATION OF 4' BETWEEN WATER OR SEWER SERVICE LINES AND A MINIMUM SEPARATION OF 10' BETWEEN WATER OR SEWER MAIN LINES. PROPOSED TREE LOCATIONS SHALL HAVE A MINIMUM SEPARATION OF 4' BETWEEN GAS LINES.
- ALL PROPOSED IRRIGATED TURF AREAS SHALL BE SODDED WITH THE BLEND SPECIFIED IN THESE PLANS. SOD SHALL BE LAID ON A FIRM BED WITH TIGHT JOINTS AND WITHOUT VOIDS.
- TREE WRAP TO BE APPLIED IN LATE FALL AFTER INSTALLATION, AND REMOVED THE FOLLOWING SPRING. REMOVE ANY STRING OR WIRE AROUND TREE TRUNKS AT TIME OF INSTALLATION.
- CONTRACTOR SHALL REPORT ANY DISCREPANCY FOUND IN THE FIELD VERSUS THE LANDSCAPE DRAWINGS IMMEDIATELY TO THE LANDSCAPE ARCHITECT, OWNER'S REPRESENTATIVE, AND/OR THE CITY/COUNTY PRIOR TO ANY CONSTRUCTION OR DEMOLITION ACTIVITY. FAILURE TO MAKE SUCH CONFLICTS KNOWN WILL RESULT IN THE CONTRACTOR'S LIABILITY TO RELOCATE AND REPAIR.
- MAINTAIN A MINIMUM THREE FOOT CLEARANCE AROUND FIRE HYDRANTS, FIRE DEPARTMENT CONNECTIONS OR OTHER FIRE SERVICE EQUIPMENT. NO TREES OR SHRUBS WILL BE ALLOWED WITHIN THIS AREA.
- TREES SHALL NOT BE LOCATED IN DRAINAGE SWALES, AREAS OR UTILITY EASEMENTS. CONTACT LANDSCAPE ARCHITECT FOR RELOCATION OF PLANTS IN QUESTIONABLE AREAS PRIOR TO INSTALLATION.
- THE CENTER OF EVERGREEN TREES SHALL NOT BE PLACED CLOSER THAN 8' AND THE CENTER OF ORNAMENTAL TREES CLOSER THAN 6' FROM A SIDEWALK, STREET OR DRIVE LANE. EVERGREEN TREES SHALL NOT BE LOCATED ANY CLOSER THAN 15' FROM IRRIGATION ROTOR HEADS. NOTIFY

## FINE GRADING NOTES

- SLOPES NOT TO EXCEED 4:1 MAX. - 1% MIN.
- SATISFACTORY SOILS: ASTM D 2487 SOIL CLASSIFICATION GROUPS GW, GP, GM, SW, SP, AND SM, OR A COMBINATION OF THESE GROUP SYMBOLS; FREE OF ROCK OR GRAVEL LARGER THAN 3 INCHES (75 MM) IN ANY DIMENSION, DEBRIS, WASTE, FROZEN MATERIALS, VEGETATION, AND OTHER DELETERIOUS MATTER.
- STRIP TOPSOIL TO WHATEVER DEPTHS ARE ENCOUNTERED IN A MANNER TO PREVENT INTERMINGLING WITH UNDERLYING SUBSOIL OR OTHER WASTE MATERIALS.
- STRIP EXISTING SURFACES OF UNSUITABLE TOPSOIL, INCLUDING TRASH, DEBRIS, WEEDS, ROOTS, AND OTHER WASTE MATERIALS.
- STOCKPILE TOPSOIL MATERIALS ON-SITE WITHOUT INTERMIXING WITH SUBSOIL.
- REMOVE EXISTING VEGETATION, DEBRIS, UNSATISFACTORY SOIL MATERIALS, OBSTRUCTIONS, AND DELETERIOUS MATERIALS FROM GROUND SURFACE BEFORE PLACING FILLS.
- FLOW, SCARIFY, BENCH, OR BREAK UP SLOPED SURFACES STEEPER THAN 1 VERTICAL TO 4 HORIZONTAL SO FILL MATERIAL WILL BOND WITH EXISTING MATERIAL.
- PLACE AND COMPACT FILL MATERIAL IN LAYERS TO REQUIRED CROSS-SECTIONS, ELEVATIONS AND GRADES WITH SATISFACTORY SOIL MATERIAL.
- UNIFORMLY GRADE AREAS TO A SMOOTH SURFACE, FREE FROM IRREGULAR SURFACE CHANGES. COMPLY WITH COMPACTION REQUIREMENTS AND GRADE TO CROSS SECTIONS, LINES, AND ELEVATIONS INDICATED.

## SEEDING ESTABLISHMENT NOTES:

- SEED SHALL BE LABELED IN ACCORDANCE WITH THE U.S. DEPARTMENT OF AGRICULTURE, RULES AND REGULATIONS AND FEDERAL SEED ACT. SEED SHALL BE EQUAL IN QUALITY TO THE STANDARDS FOR "CERTIFIED SEED" AND SHALL BE FURNISHED IN SEALED, UNOPENED, STANDARD CONTAINERS. SEED SHALL BE FRESH, CLEAN, PURE LIVE SEED WITH THE VARIETIES MIXED IN PROPORTIONS BY WEIGHT SHOWN AND MEETING THE MINIMUM PERCENTAGES OF PURITY AND GERMINATION SPECIFIED.
- SEED SHALL BE APPLIED AT A RATE SHOWN BY MIX. SEED SHALL PASS GOVERNMENT TEST OF GERMINATION OF EIGHTY PERCENT (80%) AND FOR PURITY OF NINETY PERCENT (90%). THE PURE LIVE SEED SHALL NOT BE LESS THAN SIXTY SEVEN ON ONE-HALF PERCENT (67.5%) FOR ANY ONE VARIETY, WITH THE AVERAGE OF THE MIXTURE, NO LESS THAN SEVENTY TWO PERCENT (72%). ALL SEED SHALL BE FREE OF POA ANNUA AND ALL NOXIOUS QUESTIONABLE WEEDS WITH A MAXIMUM CROP OF ONE-TENTH PERCENT (0.1%) AND MAXIMUM WEED OF ONE TENTH PERCENT (0.1%). IF SEED AVAILABLE ON THE MARKET DOES NOT MEET THE MINIMUM PURITY AND GERMINATION PERCENTAGES SPECIFIED, THE CONTRACTOR MUST COMPENSATE BY FURNISHING SUFFICIENT ADDITIONAL SEED TO EQUAL THE SPECIFIED PRODUCT.
- SPREAD ORGANIC SOIL AMENDMENT MATERIALS, AT A RATE OF 3 C.Y. PER 1000 SQUARE FEET, EVENLY OVER ENTIRE DISTURBED AREA AND THOROUGHLY INCORPORATE, BY MIXING, ROTOTILLING OR FINELY DISKING (MAX. 1" SIZE), TO A DEPTH OF SIX INCHES. ALL STONES, STICKS AND DEBRIS BROUGHT TO THE SURFACE SHALL BE REMOVED FROM THE SITE PROPERLY DISPOSED OF BY THE CONTRACTOR, AT NO ADDITIONAL COST TO THE OWNER. ALL SEED AREAS WILL THEN BE RAKED AND ROLLED TO THE DESIRED FINISHED GRADES WITH GENTLY SLOPING SURFACES TO ADEQUATELY DRAIN ALL SURFACE WATER RUNOFF. THE FINISHED SURFACE SHALL BE EVEN AND UNIFORM AND NO DIRT CLODS LARGER THAN ONE INCH (1") IN DIAMETER SHALL APPEAR ON THE SURFACE. THE SOIL SURFACE SHALL BE SMOOTH, LOOSE AND OF FINE TEXTURE, AND BE FLUSH WITH ALL PAVING EDGES.
- CONTRACTOR SHALL USE APPROPRIATE MECHANICAL POWER (BRILLION SEEDER OR EQUAL) TO DRILL THE SEED INTO THE SEEDBED WHEREVER POSSIBLE. SEED SHALL BE SOWN TO A DEPTH OF ONE-HALF INCH (1/2"). DRILLING SHALL BE DONE IN 2 SEPARATE APPLICATIONS CROSSING THE AREA AT RIGHT ANGLES TO ONE ANOTHER TO GUARANTEE PROPER COVERAGE. ON SLOPING LAND, SEEDING OPERATIONS SHALL FOLLOW THE GENERAL CONTOUR. AREAS TOO SMALL TO DRILL, SEED MAY BE BROADCAST BY HAND AND APPLICATION RATES SHALL BE DOUBLED. SEEDING OF ANY KIND WILL NOT BE PERMITTED WHEN WIND VELOCITY IS SUCH AS TO PREVENT UNIFORM SEED DISTRIBUTION. NO APPLICATION SHALL TAKE PLACE WITH THE PRESENCE OF FREE SURFACE WATER OR WHEN GROUND IS FROZEN OR CANNOT BE TILLED. ADDITIONAL TOPICAL OVER SEEDING MAY BE APPLIED TO PREVIOUSLY SEEDED AREAS IN ORDER TO ACHIEVE ADEQUATE GROUND COVER AND EROSION RESISTANCE.
- SEEDED AREAS MAY REQUIRE TEMPORARY ABOVE GROUND SPRAY IRRIGATION UNTIL ESTABLISHMENT. IRRIGATION SHALL BE REMOVED UPON ACCEPTANCE BY THE CITY. WHERE STEEP SLOPES OCCUR, LANDSCAPE CONTRACTOR MAY REQUIRE VARIOUS METHODS OF TEMPORARY

### NOTES:

- DISTURBED AREAS TO BE RE-VEGETATED PER THE GRADING AND EROSION CONTROL PLANS.
- PER TREE CONSERVATION PLAN, ALL MITIGATED SHRUBS FROM REMOVAL OF EXISTING SHRUB MASSES SHALL BE PLANTED WITHIN THE PROPOSED LANDSCAPE.
- LANDSCAPE MATERIAL AND TREES IN TREE LAWNS ADJACENT TO LOTS ARE RESPONSIBILITY OF HOME BUILDER. STREET TREE LOCATIONS ARE NOT FINAL AND MAY CHANGE BASED UPON DRIVEWAY LOCATION.
- NO FENCES OR STRUCTURES WILL BE ALLOWED WITHIN SIGHT TRIANGLES.
- SHRUBS & PERENNIALS WITHIN SIGHT TRIANGLES WILL BE NO HIGHER THAN 2'.
- TEMPORARY IRRIGATION FOR ESTABLISHMENT OF NATIVE VEGETATION MUST BE INSTALLED ABOVE GROUND, AND REMOVED IMMEDIATELY AFTER ESTABLISHMENT IS COMPLETE.

- LANDSCAPE ARCHITECT IF TREE LOCATIONS CONFLICT WITH THESE STANDARDS FOR FURTHER DIRECTION.
- ALL EVERGREEN TREES SHALL BE FULLY BRANCHED TO THE GROUND AND SHALL NOT EXHIBIT SIGNS OF ACCELERATED GROWTH AS DETERMINED BY LANDSCAPE ARCHITECT.
  - NO PLANT MATERIAL SHALL BE PLANTED WITHIN 10' OF ANY EXISTING OR PROPOSED ELECTRICAL SWITCHGEARS, TRANSFORMERS OR OTHER ELECTRICAL UTILITY EQUIPMENT. PLANT MATERIAL MAY BE FIELD ADJUSTED TO PROVIDE THE 10' CLEAR SPACE AND ACCESSIBILITY REQUIRED BY THE UTILITY'S OWNER/OPERATOR.
  - ANY TREES INSTALLED ABOVE RETAINING WALLS UTILIZING GEO-GRID MUST BE DUG TO PROTECT GEO-GRID. IF GEO-GRID MUST BE CUT TO INSTALL TREES, APPROVAL MUST BE GIVEN BY LANDSCAPE ARCHITECT PRIOR TO DOING WORK.
  - PROPOSED PLANT SPECIES MAY BE SUBJECT TO CHANGE PENDING COMMERCIAL AVAILABILITY AT TIME OF CONSTRUCTION. ALL SPECIES SUBSTITUTIONS SHALL BE APPROVED BY THE LANDSCAPE ARCHITECT PRIOR TO INSTALLATION. OVERALL PLANT QUANTITIES & SIZES SHALL REMAIN AS INDICATED ON THE PLANT SCHEDULE. CONTRACTOR SHALL VERIFY THAT ANY SUBSTITUTED PLANT SPECIES ARE ACCEPTABLE TO THE LOCAL MUNICIPALITY OR GOVERNING JURISDICTIONS.
  - IF SPECIFIED PLANTS ARE NOT COMMERCIALY AVAILABLE AT TIME OF CONSTRUCTION/INSTALLATION, CONTRACTOR SHALL COORDINATE WITH LANDSCAPE ARCHITECT FOR A SUBSTITUTION.

### PLANTING BEDS

- ALL PROPOSED PLANTING BEDS SHALL CONTAIN THE SPECIFIED MULCH. ROCK MULCH BEDS SHALL INCLUDE MIRAFI WEED BARRIER FABRIC OR EQUAL SECURED WITH PINS. OVERLAP FABRIC MIN. 24" AT EDGES. NO FABRIC IS REQUIRED IN WOOD MULCH AREAS.
- ROCK MULCH AROUND VEGETATION SHALL CONTAIN 2" DIA. ROUND RIVER COBBLE, GREY & TAN COLOR, 3" DEPTH.
- WOOD MULCH SHALL BE 'GORILLA HAIR' OR EQUAL SHREDDED CEDAR MULCH, 4" DEPTH.
- EDGING BETWEEN TURF AND PLANTING BEDS SHALL BE 12-GAUGE, GREEN COLOR, ROLLED-TOP, STEEL EDGING OR EQUIVALENT. ANY NO EDGING IS REQUIRED AGAINST HARDSCAPE/WALK AREAS OR AT TREE RING EDGES. EDGING SHALL BE INSTALLED TO AVOID IMPEDING DRAINAGE. RE: DETAILS FOR INSTALLATION IN LOW DRAINAGE AREAS.
- FOR TREES NOT IN PLANTING BEDS, ALLOW A 6'-0" DIAMETER BED (THREE RING) WITHOUT SOD AROUND ROOT COLLAR. APPLY SPECIFIED WOOD MULCH & DEPTH AROUND COLLAR FOLLOWING SOD INSTALLATION. NO FABRIC OR STEEL EDGER IS NECESSARY WITHIN TREE RINGS IN NATIVE AREAS. TREES IN PLANTING BEDS SHALL NOT HAVE WEED BARRIER INSTALLED WITHIN 6" OF THEIR TRUNKS.

### HARDSCAPE

- REFER TO SITE PLANS & DETAILS FOR SPECIALTY CONCRETE LOCATIONS WHERE APPLICABLE.

### IRRIGATION

- PERMANENT UNDERGROUND IRRIGATION IS REQUIRED IN ALL LANDSCAPE AREAS. 2) TURF AREAS ARE ZONED SEPARATELY FROM BED AREAS. 3) CONTROLLER TO INCLUDE RAIN SHUT-OFF. 4) HYDROZONES WILL BE ON SEPARATE IRRIGATION ZONES ACCORDING TO WATER DEMAND.
- REFER TO IRRIGATION PLANS FOR LIMITS AND TYPES OF IRRIGATION DESIGNED FOR THE LANDSCAPE. IN NO CASE SHALL IRRIGATION BE EMITTED WITHIN THE MINIMUM STANDARDS FROM BUILDING OR WALL FOUNDATIONS AS STIPULATED IN THE GEOTECHNICAL REPORT. ALL IRRIGATIONS DISTRIBUTION LINES, HEADS AND EMITTERS SHALL BE KEPT OUTSIDE THE MINIMUM DISTANCE AWAY FROM ALL BUILDING AND WALL FOUNDATIONS AS STIPULATED IN THE GEOTECH REPORT.
- TURF & IRRIGATED NATIVE AREAS (WHERE APPLICABLE) SHALL BE IRRIGATED BY AUTOMATIC POP-UP SPRAY SYSTEM. SHRUBS & PLANTING BEDS SHALL BE IRRIGATED WITH DRIP/BUZZLER SYSTEM.
- ALL TREES & SHRUBS OUTSIDE OF BEDS WITHIN NATIVE AREAS SHALL BE DRIP IRRIGATED. ALL IRRIGATION SHALL BE AN AUTOMATIC UNDERGROUND SYSTEM
- REFER TO IRRIGATION PLANS FOR DETAILED INFORMATION.

### MAINTENANCE

- CONTRACTOR IS TO MAINTAIN ALL PLANTINGS AND ASSOCIATED IRRIGATION SYSTEM INSTALLED UNDER THIS CONTRACT UNTIL FINAL ACCEPTANCE BY THE CITY AND TURNOVER TO OWNER. THIS MAINTENANCE SHALL INCLUDE PROPER WATERING OF ALL PLANTS, AND MOWING OF TURF/SEED AREAS IF NECESSARY.
- SITE MUST BE CLEAN AND FREE OF ALL CONSTRUCTION DEBRIS BEFORE FINAL ACCEPTANCE.
- ALL PLANT MATERIAL WILL BE COVERED BY A WARRANTY PERIOD. THE CONTRACTOR SHALL REPLACE DEAD, UNHEALTHY, OR OTHERWISE UNSATISFACTORY MATERIAL THROUGHOUT THIS PERIOD. THE WARRANTY SHALL BEGIN UPON FINAL ACCEPTANCE OF THE JOB.
- LANDSCAPING SHALL BE PLANTED AND MAINTAINED IN A LIVING CONDITION BY THE OWNER OR ASSIGNS OR OWNERS ASSOCIATION. TREES AND SHRUBS MUST HAVE A 100% ONGOING SURVIVAL RATE. ANY DEAD OR DAMAGED PLANT MATERIAL (AS DETERMINED BY THE LOCAL MUNICIPALITY) SHALL BE REPLACED. NON-LIVING GROUND COVERS, SUCH AS ROCK OR MULCH, MUST BE 100% INTACT AFTER ONE YEAR AND 100% INTACT THEREAFTER.
- LANDSCAPE AREAS WITHIN THE PROPERTY AND WITHIN THE ADJACENT RIGHT OF WAY SHALL BE MAINTAINED BY THE PROPERTY OWNER.

- PROVIDE A SMOOTH TRANSITION BETWEEN ADJACENT EXISTING GRADES AND NEW GRADES.
- CUT OUT SOFT SPOTS, FILL LOW SPOTS AND TRIM HIGH SPOTS TO COMPLY WITH REQUIRED SURFACE TOLERANCES.
- SITE GRADING: SLOPE GRADES TO DIRECT WATER AWAY FROM ADJACENT STRUCTURES AND TO PREVENT PONDING. FINISH SUBGRADES TO REQUIRED ELEVATIONS WITHIN THE FOLLOWING TOLERANCES:
  - A. AT LOCATIONS DESIGNATED FOR LAWN OR UNPAVED AREAS: PLUS OR MINUS 1 INCH (25 MM).
  - B. AT DESIGNATED PAVEMENT LOCATIONS: PLUS OR MINUS 1/2 INCH (13 MM).
- GRADING ON SLOPES: INSTALL EROSION STABILIZATION FABRIC PER MANUFACTURERS RECOMMENDATIONS ON SLOPED SURFACES EQUAL TO OR GREATER THAN A RATIO OF 1) VERTICAL FOOT TO 3) HORIZONTAL FEET.
- CONTRACTOR WILL ENGAGE A QUALIFIED INDEPENDENT GEOTECHNICAL ENGINEERING TESTING AGENCY TO PERFORM FIELD QUALITY-CONTROL TESTING.
- PROTECT NEWLY GRADED AREAS FROM TRAFFIC, FREEZING, AND EROSION. KEEP FREE OF TRASH AND DEBRIS.
- REPAIR AND REESTABLISH GRADES TO SPECIFIED TOLERANCES WHERE COMPLETED OR PARTIALLY COMPLETED SURFACES BECOME ERODED, RUTTED, SETTLED, OR WHERE THEY LOSE COMPACTION DUE TO SUBSEQUENT CONSTRUCTION OPERATIONS OR WEATHER CONDITIONS.
- WHERE SETTLING OCCURS BEFORE PROJECT CORRECTION PERIOD ELAPSES, REMOVE FINISHED SURFACE GRADING, BACKFILL WITH ADDITIONAL SOIL MATERIAL, COMPACT, AND RECONSTRUCT SURFACE GRADING.
- TRANSPORT SURPLUS SATISFACTORY SOIL TO DESIGNATED STORAGE AREAS ON OWNER'S PROPERTY. STOCKPILE OR SPREAD SOIL AS DIRECTED BY OWNER.

IRRIGATION TO ACHIEVE SEED ESTABLISHMENT. SUCH METHODS SHALL BE IN COMPLIANCE WITH THE PROJECT'S EROSION CONTROL METHODS, BMP'S AND ALL CITY CODES AND REQUIREMENTS.

- MULCH WILL BE HYDRO MULCH. HYDRO MULCH SHALL BE CONWED 200 AND TACKIFIER OR APPROVED SUBSTITUTE MEETING THE FOLLOWING REQUIREMENTS:
  - I. VIRGIN WOOD CELLULOSE FIBER. MAY NOT CONTAIN ANY SUBSTANCE OR FIBER THAT MAY INHIBIT GERMINATION OF GROWTH OF GRASS SEEDS AND PLANTS.
  - II. DYE TO APPROPRIATE COLOR TO ALLOW PROPER METERING OF APPLICATION.
  - III. FIBERS MUST HAVE ABILITY TO BECOME EVENLY DISPERSED AND SUSPENDED WHEN AGITATED IN WATER.
  - IV. WHEN SPRAYED UNIFORMLY ON SURFACE OF SOIL, FIBERS SHALL FORM BLOTTER - LIKE GROUND COVER THAT READILY ABSORBS WATER, AND ALLOWS INFILTRATION TO UNDERLYING SOIL.
  - V. WEIGHT SPECIFICATIONS SHALL REFER ONLY TO AIR DRY WEIGHT OF FIBERS WITH A STANDARD MOISTURE CONTENT OF TEN PERCENT (10%).
  - VI. MULCH MATERIAL SHALL BE SUPPLIED IN CONTAINERS NOT WEIGHING OVER ONE HUNDRED (100) LBS AND SHOWING AIR DRY WEIGHT OF FIBERS.
  - VII. ORGANIC TACKIFIER MAY BE SUPPLIED WITH HYDROMULCH FIBERS OR BE ADDED AT A LATER TIME.

**WEED MANAGEMENT**  
BEFORE SEEDING, REMOVE EXISTING WEEDS BY PULLING, TILLING UNDER AND/OR, APPLYING A GLYPHOSATE HERBICIDE SUCH AS ROUNDUP®. OR BY A COMBINATION OF THESE METHODS. FOR ADDITIONAL WEED CONTROL AFTER SITE PREPARATION, A SOIL FUMIGANT MAY BE USED, OR THE AREA MAY BE IRRIGATED TO ENCOURAGE WEED GROWTH AND THEN SPRAYED WITH A GENERAL HERBICIDE.  
IN VERY WEEDY AREAS, THE FOLLOWING METHOD IS SUGGESTED: (1) TILL SOIL OR SPRAY VEGETATION WITH ROUNDUP®, WHEN USING AN HERBICIDE, ALLOW VEGETATION TO DIE, THEN RAKE OUT THE DEAD DEBRIS. IF PERENNIAL WEEDS SUCH AS BINDWEED ARE PRESENT, USING AN HERBICIDE IS MORE EFFECTIVE THAN TILLING. (2) IRRIGATE TO ENCOURAGE GERMINATION OF WEED SEEDS NEAR THE SURFACE; MOST SEEDS WILL GERMINATE WITHIN TWO WEEKS IF CONSISTENT MOISTURE IS AVAILABLE. DO NOT TILL THE SOIL AGAIN BECAUSE THIS WILL BRING EVEN MORE WEED SEEDS UP TO THE SURFACE. (3) SPRAY ANY NEW GROWTH WITH ROUNDUP®. (4) AFTER RAKING OUT DEAD VEGETATION, ALLOW SOIL TO RECOVER FOR 4 WEEKS BEFORE PLANTING SEE. A RECOVERY PERIOD OF THIS DURATION IS ADVISABLE BECAUSE EXTENSIVE USE OF GLYPHOSATE HERBICIDES MAY CAUSE A DELAY IN GERMINATION AND IN THE VIGOROUS GROWTH OF SEEDLINGS. ONCE THE SEEDS HAVE GERMINATED, FURTHER WEED CONTROL IS USUALLY NECESSARY. IF PRACTICAL, PULL ALL WEEDS AS SOON AS THEY CAN BE IDENTIFIED. OTHER SUCCESSFUL TECHNIQUES ARE SPOT-SPRAYING WITH A GENERAL HERBICIDE OR SELECTIVELY CUTTING WEEDS WITH A STRING TRIMMER. BE SURE TO REMOVE WEEDS BEFORE THEY RESEED.  
ONCE ESTABLISHED, NATIVE AREAS MAY BE MOWED TWICE A SEASON OR AS REQUIRED TO MINIMIZE WEED GROWTH. FURTHER MOWING ADJACENT TO ROADWAYS AND PARK AREAS MAY BE REQUIRED AS SEASONAL DROUGHT AND FIRE CONDITIONS MAY DICTATE.

### TOWN OF PARKER

SEED MIX 1		SEED MIX 2	
COMMON NAME	PERCENTAGE	COMMON NAME	PERCENTAGE
CANADA WILDRIE	20%	SLENDER WHEATGRASS	22%
CRESTED WHEATGRASS	15%	SODAR STREAMBANK WHEATGRASS	18%
SLENDER WHEATGRASS	15%	ARIZONA FESCUE	13%
ANNUAL RYEGRASS	10%	BLUE GRAMA	13%
SHEEP FESCUE	10%	BUFFALO GRASS	12%
BIG BLUESTEM	10%	BARLEY OR OATS	12%
SIDEOTS GRAMA	10%	SPIKE MUHLY	5%
CANADA BLUEGRASS	5%	INDIAN RICEGRASS	5%
BLUE GRAMA	5%		

SEEDING RATE	SEEDING RATE
DRILLED: 25 LBS./AC.	DRILLED: 25 LBS./AC.
BROADCAST: 50LBS./AC.	BROADCAST: 50LBS./AC.

## PLANT SCHEDULE-PARKS AND OPEN SPACE

DECIDUOUS TREES	QTY	BOTANICAL NAME	COMMON NAME	ROOT	CALIPER/H.T.
GI	1	Gleditsia triacanthos 'Imperial'	Imperial Honeylocust	B & B	2.5' Cal 6'-8" Ht
GS	2	Gleditsia triacanthos inermis 'Shademaster' TM	Shademaster Locust	B & B	2.5' Cal 6'-8" Ht
PO	2	Platanus occidentalis	American Sycamore	B & B	2.5' Cal
QM	7	Quercus macrocarpa	Burr Oak	B & B	2.5' Cal
EVERGREEN TREES	QTY	BOTANICAL NAME	COMMON NAME	ROOT	CALIPER/H.T.
PSP	11	Pinus flexilis	Limber Pine	B & B	6'-8" Ht 6'-8" Ht
PN	9	Pinus nigra	Austrian Black Pine	B & B	6'-8" Ht
ORNAMENTAL TREES	QTY	BOTANICAL NAME	COMMON NAME	ROOT	CALIPER/H.T.
WKH	6	Crataegus viridis 'Winter King'	'Winter King' Hawthorn	B & B	2' Cal
SC2	3	Malus x 'Spring Snow'	Spring Snow Crab Apple	B & B	2' Cal
ORNAMENTAL GRASSES	QTY	BOTANICAL NAME	COMMON NAME	SIZE	HEIGHT/WIDTH
CK	54	Calamagrostis x acutiflora 'Karl Foerster'	Feather Reed Grass	1 gal	4.5' x 2'
MG	58	Miscanthus sinensis 'Gracillimus'	Maiden Grass	1 gal	4' X 5'
ANNUALS/PERENNIALS	QTY	BOTANICAL NAME	COMMON NAME	SIZE	HEIGHT/WIDTH
EP	36	Echinacea purpurea	Purple Coneflower	1 gal	2' X 2'
DECIDUOUS SHRUBS	QTY	BOTANICAL NAME	COMMON NAME	SIZE	HEIGHT/WIDTH
SSB	20	Amelanchier alnifolia 'Regent'	Saskatoon Serviceberry	5 gal	12' X 8'
AG	12	Amelanchier x grandiflora 'Autumn Brilliance'	'Autumn Brilliance' Serviceberry	5 gal	15' x 10'
CD	11	Caryopteris x clandonensis 'Dark Knight'	Blue Mist Shrub	5 gal	3' X 4'
CB	10	Cornus sericea 'Bailey'	Red Twig Dogwood	5 gal	8' X 8'
PS2	53	Penstemon strictus	Rocky Mountain Penstemon	5 gal	2' X 3'
PJ	19	Potentilla fruticosa 'Jackmanii'	Jackman's Potentilla	5 gal	3' X 4'
SCH	16	Prunus besseyi 'Pawnee Buttes'	Pawnee Buttes Sand Cherry	5 gal	18' X 6'
RW	6	Rosa Meilandiana series 'White'	White Meilandian Rose	5 gal	2' X 4'
EVERGREEN SHRUBS	QTY	BOTANICAL NAME	COMMON NAME	SIZE	HEIGHT/WIDTH
BUJ	20	Juniperus sabina 'Buffalo'	Buffalo Juniper	5 gal	2' X 6'
PS	21	Pinus mugo 'Slowmound'	Mugo Pine	5 gal	2.5' X 5'
GROUND COVERS	QTY	BOTANICAL NAME	COMMON NAME	CONT	
	10,359 sf	BLUEGRASS SOD RE: LANDSCAPE NOTES	BLUEGRASS SOD		sod
	1,994 sf	CRUSHER FINES CRUSHER FINES	CRUSHER FINES		mulch
	1,400 sf	ENVIROTURF RE: LANDSCAPE NOTES	ENVIROTURF		sod
	1,916 sf	FIBAR PLAYGROUND MULCH	FIBAR PLAYGROUND MULCH		mulch
	7,538 sf	ROCK MULCH -GREY, 1-1/2" MTN. GRANITE 3" DEPTH, RE: LDSCP NOTES	ROCK MULCH GREY, 1-1/2" MTN. GRANITE		mulch
	502 sf	ROCK MULCH TAN, 2" DIA. RIVER ROCK 3" DEPTH, RE: LDSCP NOTES	ROCK MULCH TAN, 2" DIA. RIVER ROCK		mulch
	27,936 sf	SEED MIX 1 TOWN OF PARKER - SEED MIX 1, RE: LANDSCAPE NOTES	SEED MIX 1		seed

## PLANT SCHEDULE-STREETSCAPE

DECIDUOUS TREES	QTY	BOTANICAL NAME	COMMON NAME	ROOT	CALIPER/H.T.
AE	3	Acer platanoides 'Emerald Queen'	Emerald Queen Maple	B & B	2.5' Cal
AS	9	Acer platanoides 'Schwedleri'	Schwedler Maple	B & B	2.5' Cal
CS	8	Catalpa speciosa	Northern Catalpa	B & B	2.5' Cal
HAC	9	Celtis occidentalis	Common Hackberry	B & B	2.5' Cal
GI	9	Gleditsia triacanthos 'Imperial'	Imperial Honeylocust	B & B	2.5' Cal
GS	8	Gleditsia triacanthos inermis 'Shademaster' TM	Shademaster' Locust	B & B	2.5' Cal
GK	13	Gymnocladus dioica	Kentucky Coffee Tree	B & B	2.5' Cal
PO	7	Platanus occidentalis	American Sycamore	B & B	2.5' Cal
QB	5	Quercus bicolor	Swamp White Oak	B & B	2.5' Cal
QM	6	Quercus macrocarpa	Burr Oak	B & B	2.5' Cal
QM2	11	Quercus muhlenbergii	Chinkapin Oak	B & B	2.5' Cal
QR	4	Quercus rubra	Red Oak	B & B	2.5' Cal
RAL	16	Tilia americana 'Redmond'	Redmond American Linden	B & B	2.5' Cal
TG2	5	Tilia cordata 'Glenleven'	Glenleven Littleleaf Linden	B & B	2.5' Cal
TO	22	Tilia cordata 'Greenspire'	Greenspire Littleleaf Linden	B & B	2.5' Cal
UP	3	Ulmus americana 'Princeton'	American Elm	B & B	2.5' Cal
ORNAMENTAL GRASSES	QTY	BOTANICAL NAME	COMMON NAME	SIZE	HEIGHT/WIDTH
BOG	6	Helictotrichon sempervirens	Blue Oat Grass	1 gal	3' X 2'
ANNUALS/PERENNIALS	QTY	BOTANICAL NAME	COMMON NAME	SIZE	HEIGHT/WIDTH
EP	9	Echinacea purpurea	Purple Coneflower	1 gal	2' X 2'
DECIDUOUS SHRUBS	QTY	BOTANICAL NAME	COMMON NAME	SIZE	HEIGHT/WIDTH
CD	2	Caryopteris x clandonensis 'Dark Knight'	Blue Mist Shrub	5 gal	3' X 4'
EVERGREEN SHRUBS	QTY	BOTANICAL NAME	COMMON NAME	SIZE	HEIGHT/WIDTH
AC	4	Arctostaphylos x coloradensis 'Chieftain'	Manzanita	5 gal	2' X 5'
JH	4	Juniperus horizontalis 'Hughes'	Hughes Juniper	5 gal	1.5' X 6'
GROUND COVERS	QTY	BOTANICAL NAME	COMMON NAME	CONT	
	61,282 sf	ENVIROTURF RE: LANDSCAPE NOTES	ENVIROTURF		sod
	904 sf	ROCK MULCH -GREY, 1-1/2" MOUNTAIN GRANITE 3" DEPTH, RE: LDSCP NOTES	ROCK MULCH GREY, 1-1/2" MOUNTAIN GRANITE		mulch



**Final Document**  
**Subject To Conditions In Approval Letter**

**APPROVED DATE: 07/24/2023**

**Planning Approval By: S. Nergler**

Prepared For

ESX MANAGEMENT  
7353 SOUTH ALTON WAY  
CENTENNIAL, CO 80112

Y:\HSS RANCH\LANDSCAPE ARCHITECTURE\CURRENT DWGS\HSS-LOSCP PLANS - FILING 3\_AS BUILDS.DWG  
Monday, June 26, 2023



**GROUNDCOVER LIST**

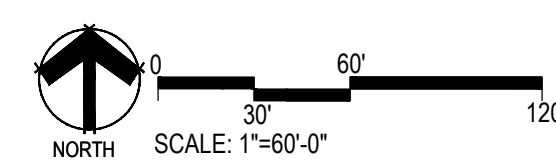
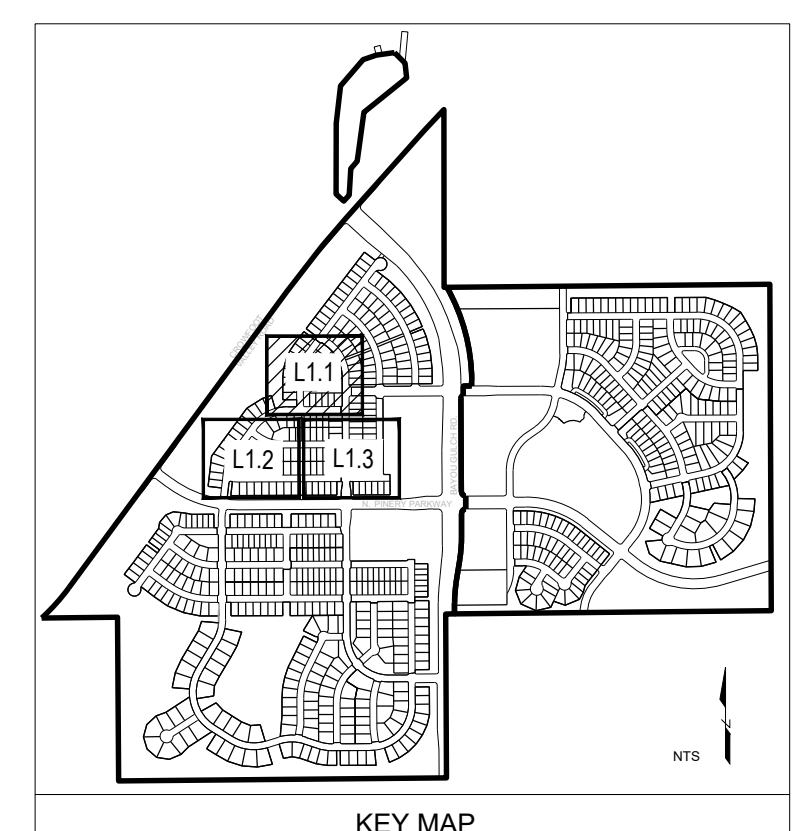
- BLUEGRASS SOD
- CRUSHER FINES
- ENVIROTURF
- FIBAR PLAYGROUND MULCH
- ROCK MULCH GREY, 1-1/2" MTN. GRANITE
- ROCK MULCH TAN, 2" DIA. RIVER ROCK
- SEED MIX 1

**Final Document**  
Subject To Conditions In Approval Letter

**APPROVED DATE: 07/24/2023**

**Planning Approval By: S. Nerger**

- NOTES:**
1. LANDSCAPE MATERIAL AND TREES IN TREE LAWNS ADJACENT TO LOTS ARE RESPONSIBILITY OF HOME BUILDER. STREET TREE LOCATIONS ARE NOT FINAL AND MAY CHANGE BASED UPON DRIVEWAY LOCATION.
  2. NO FENCES OR STRUCTURES WILL BE ALLOWED WITHIN SIGHT TRIANGLES.
  3. SHRUBS & PERENNIALS WITHIN SIGHT TRIANGLES WILL BE NO HIGHER THAN 2'.
  4. MAILBOX CLUSTER LOCATIONS ARE CONCEPTUAL ONLY. FINAL LOCATIONS TO BE DETERMINED BY POSTMASTER.



Prepared For

**ESX MANAGEMENT**  
7353 SOUTH ALTON WAY  
CENTENNIAL, CO 80112

Land Planning

people creating spaces

pcs group inc. www.pcsgruopco.com  
#3, 8-180 Independence plaza  
1007 16th street, denver, co 80265  
1 303.531.4905 . f 303.531.4908

Engineering

**CVL**  
CONSULTANTS

10333 E. DRY CREEK RD. #240  
ENGLEWOOD, CO 80112  
720-482-9526

**TRAILS AT CROWFOOT**  
FILING NO. 3  
PARKER, COLORADO  
FINAL LANDSCAPE PLANS

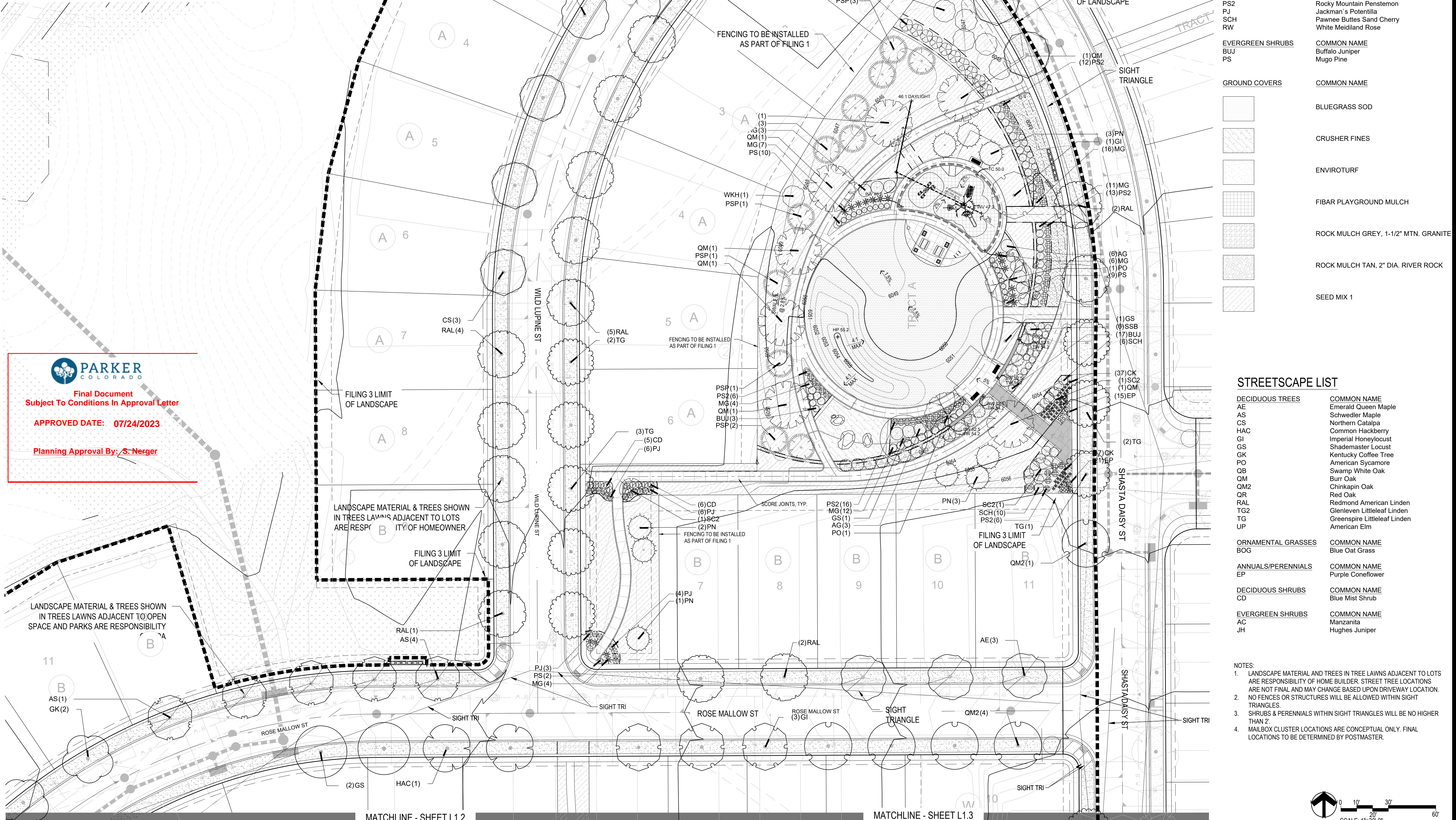
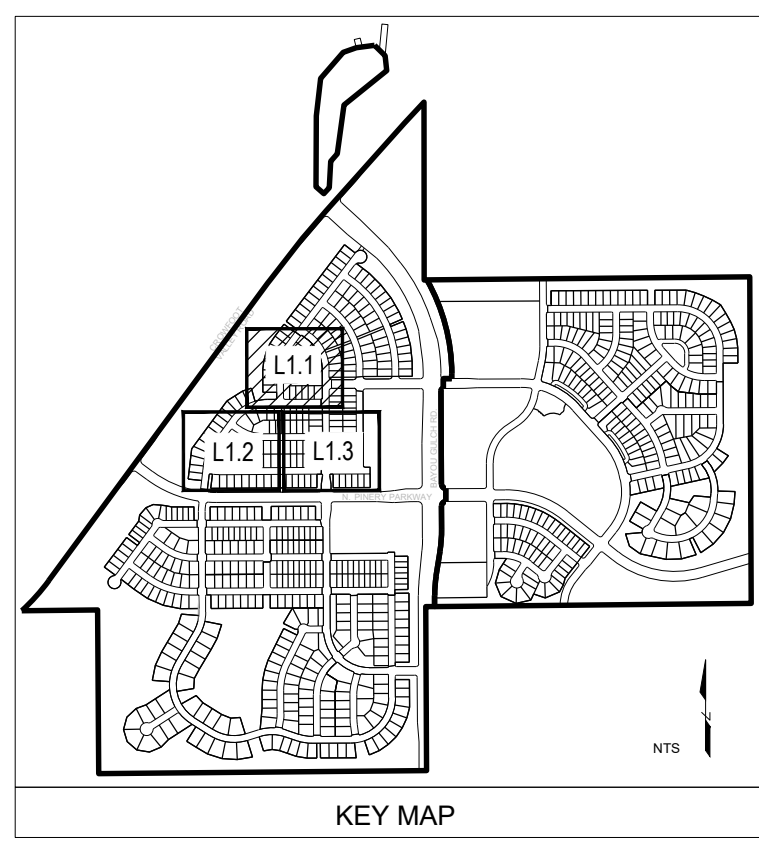
Drawn by:	JWI, BEM, GG
Checked by:	PCS STAFF
Submittal Date:	04.18.2017
	12.15.2017
	3.2.2018
	4.13.2018
	10.18.2021
	6.26.2023

Sheet Name

**OVERALL LANDSCAPE PLAN**

Sheet Number

**L1.0**



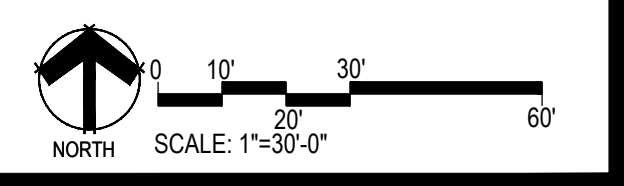
**OPEN SPACE AND PARK LIST**

COMMON NAME	COMMON NAME
DECIDUOUS TREES	Imperial Honeylocust
GI	Shademaster Locust
GS	American Sycamore
PO	Burr Oak
QM	
EVERGREEN TREES	COMMON NAME
PSP	Limber Pine
PN	Austrian Black Pine
ORNAMENTAL TREES	COMMON NAME
WKH	'Winter King' Hawthorn
SC2	Spring Snow Crab Apple
ORNAMENTAL GRASSES	COMMON NAME
CK	Feather Reed Grass
MG	Maiden Grass
ANNUALS/PERENNIALS	COMMON NAME
EP	Purple Coneflower
DECIDUOUS SHRUBS	COMMON NAME
SSB	Saskatoon Serviceberry
AG	'Autumn Brilliance' Serviceberry
CD	Blue Mist Shrub
CB	Red Twig Dogwood
PS2	Rocky Mountain Penstemon
PJ	Jackman's Potentilla
SCH	Pawnee Buttes Sand Cherry
RW	White Meidland Rose
EVERGREEN SHRUBS	COMMON NAME
BUJ	Buffalo Juniper
PS	Mugo Pine
GROUND COVERS	COMMON NAME
	BLUEGRASS SOD
	CRUSHER FINES
	ENVIROTURF
	FIBAR PLAYGROUND MULCH
	ROCK MULCH GREY, 1-1/2" MTN. GRANITE
	ROCK MULCH TAN, 2" DIA. RIVER ROCK
	SEED MIX 1

**STREETSCAPE LIST**

COMMON NAME	COMMON NAME
DECIDUOUS TREES	Emerald Queen Maple
AE	Schwedler Maple
AS	Northern Catalpa
CS	Common Hackberry
HAC	Imperial Honeylocust
GI	Shademaster Locust
GS	Kentucky Coffee Tree
GK	American Sycamore
PO	Swamp White Oak
QB	Burr Oak
QM	Chinkapin Oak
QM2	Red Oak
QR	Redmond American Linden
RAL	Glenleven Littleleaf Linden
TG2	Greenspire Littleleaf Linden
TG	American Elm
UP	
ORNAMENTAL GRASSES	COMMON NAME
BOG	Blue Oat Grass
ANNUALS/PERENNIALS	COMMON NAME
EP	Purple Coneflower
DECIDUOUS SHRUBS	COMMON NAME
CD	Blue Mist Shrub
EVERGREEN SHRUBS	COMMON NAME
AC	Manzanita
JH	Hughes Juniper

- NOTES:
- LANDSCAPE MATERIAL AND TREES IN TREE LAWNS ADJACENT TO LOTS ARE RESPONSIBILITY OF HOME BUILDER. STREET TREE LOCATIONS ARE NOT FINAL AND MAY CHANGE BASED UPON DRIVEWAY LOCATION. NO FENCES OR STRUCTURES WILL BE ALLOWED WITHIN SIGHT TRIANGLES.
  - SHRUBS & PERENNIALS WITHIN SIGHT TRIANGLES WILL BE NO HIGHER THAN 2'
  - MALBOX CLUSTER LOCATIONS ARE CONCEPTUAL ONLY. FINAL LOCATIONS TO BE DETERMINED BY POSTMASTER.



**PARKER**  
COLORADO

Final Document  
Subject To Conditions In Approval Letter

APPROVED DATE: 07/24/2023

Planning Approval By: S. Nerger

Y:\HESSE RANCH\LANDSCAPE ARCHITECTURE\CURRENT DWGS\HESSE-LDSCP PLANS - FILING 3\_AS BUILDS.DWG Monday, June 26, 2023

Prepared For  
**ESX MANAGEMENT**  
7353 SOUTH ALTON WAY  
CENTENNIAL, CO 80112

Land Planning  
people creating spaces  
pcs group inc. www.pcsgroupco.com  
#3, 8-180 Independence plaza  
1007 16th street, denver, co 80265  
1.303.531.4905 f.303.531.4908

Engineering  
**CVL**  
CONSULTANTS  
10333 E. DRY CREEK RD. #240  
ENGLEWOOD, CO 80112  
720-482-9526

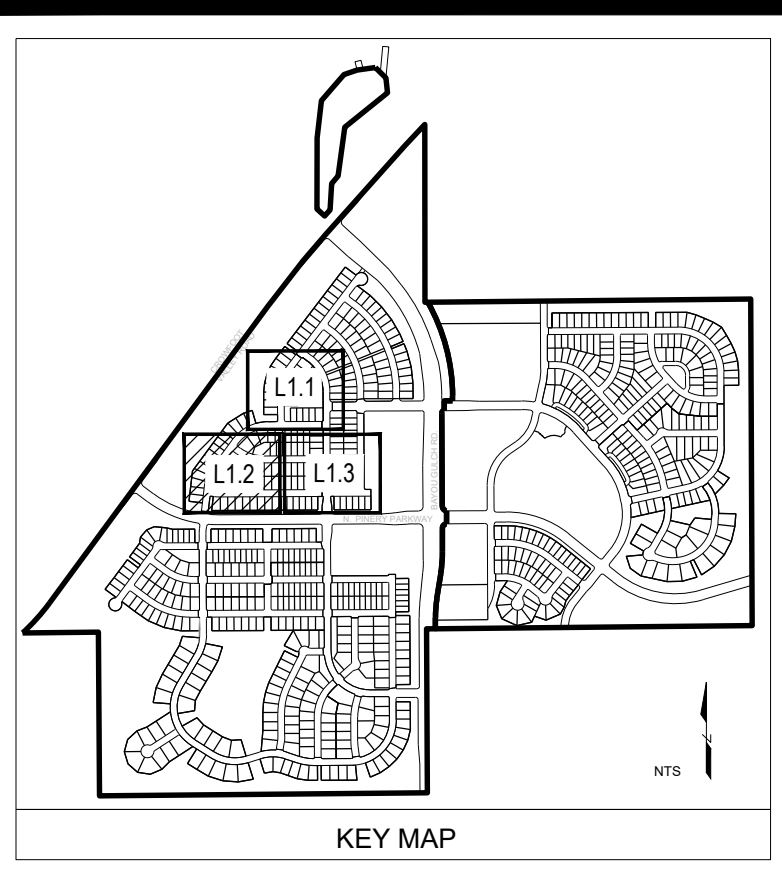
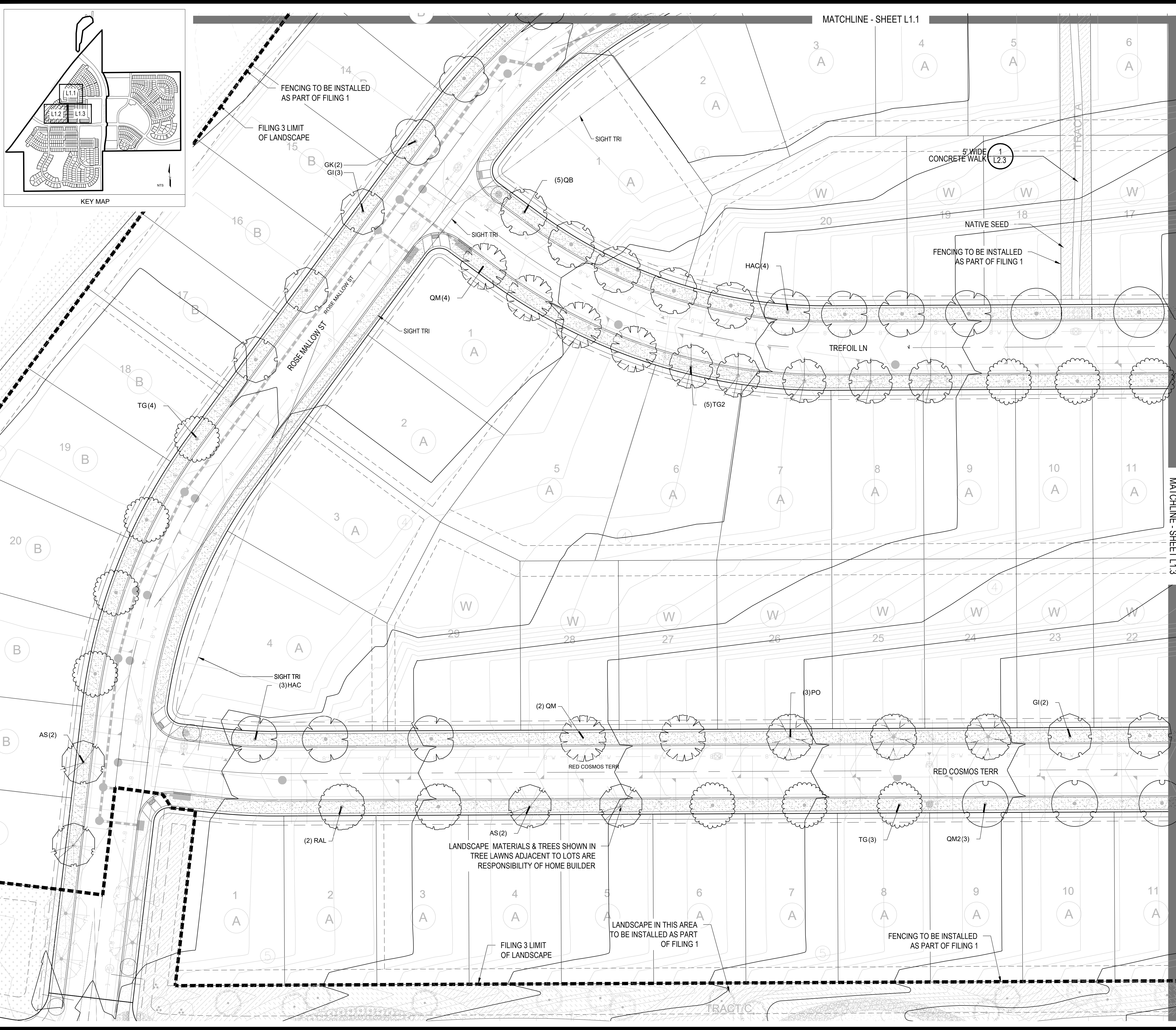
**TRAILS AT CROWFOOT**  
FILING NO. 3  
PARKER, COLORADO  
FINAL LANDSCAPE PLANS

Drawn by: JWI, BEM, GG  
Checked by: PCS STAFF  
Submitted Date: 04.18.2017  
12.15.2017  
3.2.2018  
4.13.2018  
10.18.2021  
6.26.2023

Sheet Name  
**LANDSCAPE PLAN**

Sheet Number  
**L1.1**

Y:\HESSE RANCH\LANDSCAPE ARCHITECTURE\CURRENT DWGS\HESSE-LODSCP PLANS - FILING 3\_AS BUILTS.DWG  
Monday, June 26, 2023



### PARK AND OPEN SPACE LIST

COMMON NAME	COMMON NAME
<b>DECIDUOUS TREES</b>	<b>COMMON NAME</b>
GI Imperial Honeylocust	Imperial Honeylocust
GS Shademaker Locust	Shademaker Locust
PO American Sycamore	American Sycamore
QM Burr Oak	Burr Oak
<b>EVERGREEN TREES</b>	<b>COMMON NAME</b>
PSP Limber Pine	Limber Pine
PN Austrian Black Pine	Austrian Black Pine
<b>ORNAMENTAL TREES</b>	<b>COMMON NAME</b>
WKH "Winter King" Hawthorn	"Winter King" Hawthorn
SC2 Spring Snow Crab Apple	Spring Snow Crab Apple
<b>ORNAMENTAL GRASSES</b>	<b>COMMON NAME</b>
CK Feather Reed Grass	Feather Reed Grass
MG Maiden Grass	Maiden Grass
<b>ANNUALS/PERENNIALS</b>	<b>COMMON NAME</b>
EP Purple Coneflower	Purple Coneflower
<b>DECIDUOUS SHRUBS</b>	<b>COMMON NAME</b>
SSB Saskatoon Serviceberry	Saskatoon Serviceberry
AG "Autumn Brilliance" Serviceberry	"Autumn Brilliance" Serviceberry
CD Blue Mist Shrub	Blue Mist Shrub
CB Red Twig Dogwood	Red Twig Dogwood
PS2 Rocky Mountain Penstemon	Rocky Mountain Penstemon
PJ Jackman's Potentilla	Jackman's Potentilla
SCH Pawnee Buttes Sand Cherry	Pawnee Buttes Sand Cherry
RW White Meidland Rose	White Meidland Rose
<b>EVERGREEN SHRUBS</b>	<b>COMMON NAME</b>
BUJ Buffalo Juniper	Buffalo Juniper
PS Mugo Pine	Mugo Pine
<b>GROUND COVERS</b>	<b>COMMON NAME</b>
[Symbol]	BLUEGRASS SOD
[Symbol]	CRUSHER FINES
[Symbol]	ENVIROTURF
[Symbol]	FIBAR PLAYGROUND MULCH
[Symbol]	ROCK MULCH GREY, 1-1/2" MTN. GRANITE
[Symbol]	ROCK MULCH TAN, 2" DIA. RIVER ROCK
[Symbol]	SEED MIX 1

### STREETSCAPE LIST

COMMON NAME	COMMON NAME
<b>DECIDUOUS TREES</b>	<b>COMMON NAME</b>
AE Emerald Queen Maple	Emerald Queen Maple
AS Schwedler Maple	Schwedler Maple
CS Northern Catalpa	Northern Catalpa
HAC Common Hackberry	Common Hackberry
GI Imperial Honeylocust	Imperial Honeylocust
GS Shademaker Locust	Shademaker Locust
GK Kentucky Coffee Tree	Kentucky Coffee Tree
PO American Sycamore	American Sycamore
QB Swamp White Oak	Swamp White Oak
QM Burr Oak	Burr Oak
QM2 Chinkapin Oak	Chinkapin Oak
QR Red Oak	Red Oak
RAL Redmond American Linden	Redmond American Linden
TG2 Glenievers Littleleaf Linden	Glenievers Littleleaf Linden
TG Greenspire Littleleaf Linden	Greenspire Littleleaf Linden
UP American Elm	American Elm
<b>ORNAMENTAL GRASSES</b>	<b>COMMON NAME</b>
BOG Blue Oat Grass	Blue Oat Grass
<b>ANNUALS/PERENNIALS</b>	<b>COMMON NAME</b>
EP Purple Coneflower	Purple Coneflower
<b>DECIDUOUS SHRUBS</b>	<b>COMMON NAME</b>
CD Blue Mist Shrub	Blue Mist Shrub
<b>EVERGREEN SHRUBS</b>	<b>COMMON NAME</b>
AC Manzanita	Manzanita
JH Hughes Juniper	Hughes Juniper
<b>GROUND COVERS</b>	<b>COMMON NAME</b>
[Symbol]	ENVIROTURF
[Symbol]	ROCK MULCH GREY, 1-1/2" MTN. GRANITE

**NOTES:**

- LANDSCAPE MATERIAL AND TREES IN TREE LAWNS ADJACENT TO LOTS ARE RESPONSIBILITY OF HOME BUILDER. STREET TREE LOCATIONS ARE NOT FINAL AND MAY CHANGE BASED UPON DRIVEWAY LOCATION.
- NO FENCES OR STRUCTURES WILL BE ALLOWED WITHIN SIGHT TRIANGLES.
- SHRUBS & PERENNIALS WITHIN SIGHT TRIANGLES WILL BE NO HIGHER THAN 2'.
- MAILBOX CLUSTER LOCATIONS ARE CONCEPTUAL ONLY. FINAL LOCATIONS TO BE DETERMINED BY POSTMASTER.

SCALE: 1"=30'-0"

Prepared For

**E5X MANAGEMENT**  
7353 SOUTH ALTON WAY  
CENTENNIAL, CO 80112

Land Planning

people creating spaces

pcs group inc. www.pcsgroupco.com  
#3, 8-180 Independence plaza  
1007 16th street, denver, co 80265  
1.303.531.4905 f. 303.531.4908

Engineering

**CVL**  
CONSULTANTS  
10333 E. DRY CREEK RD. #240  
ENGLEWOOD, CO 80112  
720-482-9526

**TRAILS AT CROWFOOT**  
FILING NO. 3  
PARKER, COLORADO

**FINAL LANDSCAPE PLANS**

**PARKER**  
COLORADO

Final Document  
Subject to Conditions In Approval Letter

APPROVED DATE: 07/24/2023

Planning Approval By: S. NERGER

Drawn by: JWI, BEM, GG  
Checked by: PCS STAFF  
Submittal Date: 04.18.2017  
12.15.2017  
3.2.2018  
4.13.2018  
10.18.2021  
6.26.2023

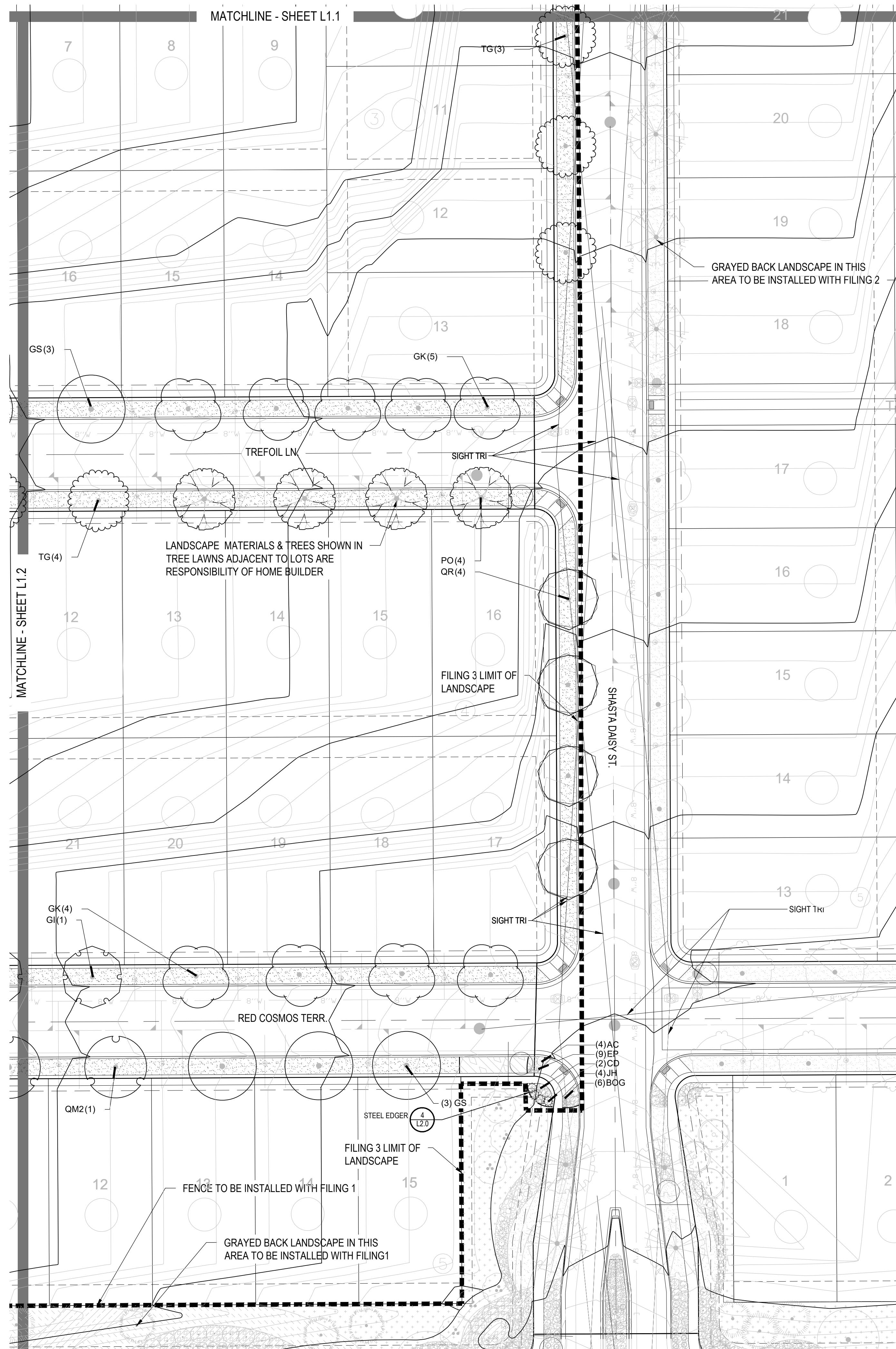
Know what's below.  
Call before you dig.

**811**

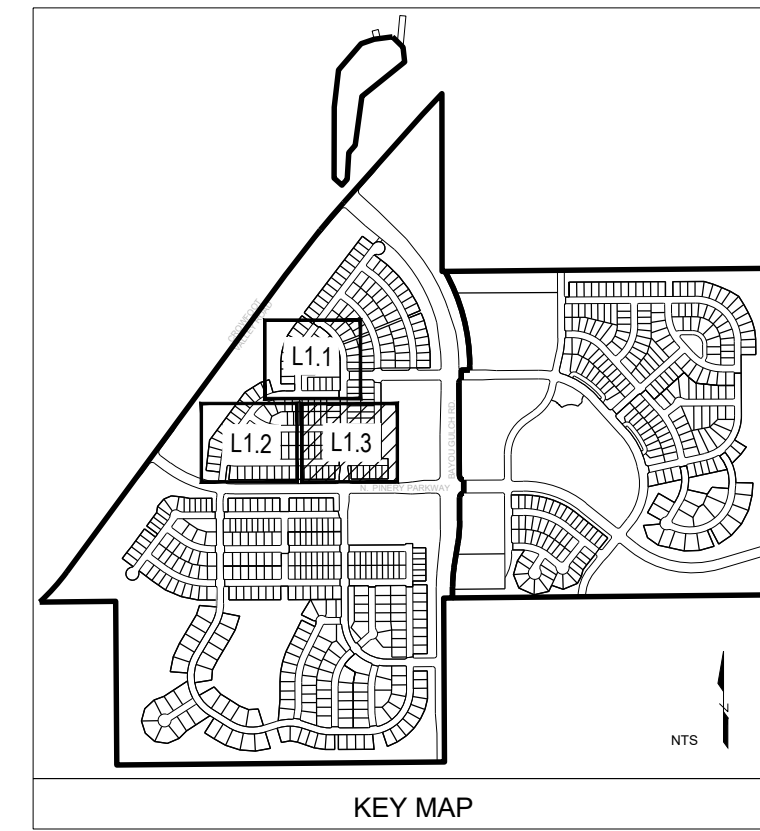
Sheet Name  
**LANDSCAPE PLAN**

Sheet Number  
**L1.2**

Y:\HESSE RANCH\LANDSCAPE ARCHITECTURE\CURRENT DWGS\HESSE-LDSCP PLANS - FILING 3\_AS BUILDS.DWG  
Monday, June 26, 2023



- NOTES:
1. LANDSCAPE MATERIAL AND TREES IN TREE LAWNS ADJACENT TO LOTS ARE RESPONSIBILITY OF HOME BUILDER. STREET TREE LOCATIONS ARE NOT FINAL AND MAY CHANGE BASED UPON DRIVEWAY LOCATION.
  2. NO FENCES OR STRUCTURES WILL BE ALLOWED WITHIN SIGHT TRIANGLES.
  3. SHRUBS & PERENNIALS WITHIN SIGHT TRIANGLES WILL BE NO HIGHER THAN 2'.
  4. MAILBOX CLUSTER LOCATIONS ARE CONCEPTUAL ONLY. FINAL LOCATIONS TO BE DETERMINED BY POSTMASTER.



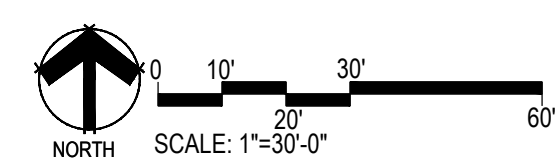
**PARK AND OPEN SPACE LIST**

DECIDUOUS TREES	COMMON NAME
GI	Imperial Honeylocust
GS	Shademaster Locust
PO	American Sycamore
QM	Burr Oak
EVERGREEN TREES	COMMON NAME
PSP	Limber Pine
PN	Austrian Black Pine
ORNAMENTAL TREES	COMMON NAME
WKH	'Winter King' Hawthorn
SC2	Spring Snow Crab Apple
ORNAMENTAL GRASSES	COMMON NAME
CK	Feather Reed Grass
MG	Maiden Grass
ANNUALS/PERENNIALS	COMMON NAME
EP	Purple Coneflower
DECIDUOUS SHRUBS	COMMON NAME
SSB	Saskatoon Serviceberry
AG	'Autumn Brilliance' Serviceberry
CD	Blue Mist Shrub
CB	Red Twig Dogwood
PS2	Rocky Mountain Penstemon
PJ	Jackman's Potentilla
SCH	Pawnee Buttes Sand Cherry
RW	White Meidland Rose
EVERGREEN SHRUBS	COMMON NAME
BUJ	Buffalo Juniper
PS	Mugo Pine
GROUND COVERS	COMMON NAME
[Symbol]	BLUEGRASS SOD
[Symbol]	CRUSHER FINES
[Symbol]	ENVIROTURF
[Symbol]	FIBAR PLAYGROUND MULCH
[Symbol]	ROCK MULCH GREY, 1-1/2" MTN. GRANITE
[Symbol]	ROCK MULCH TAN, 2" DIA. RIVER ROCK
[Symbol]	SEED MIX 1

**STREETSCAPE LIST**

DECIDUOUS TREES	COMMON NAME
AE	Emerald Queen Maple
AS	Schwedler Maple
CS	Northern Catalpa
HAC	Common Hackberry
GI	Imperial Honeylocust
GS	Shademaster Locust
GK	Kentucky Coffee Tree
PO	American Sycamore
QB	Swamp White Oak
QM	Burr Oak
QM2	Chinkapin Oak
QR	Red Oak
RAL	Redmond American Linden
TG2	Glenleven Littleleaf Linden
TG	Greenspire Littleleaf Linden
UP	American Elm
ORNAMENTAL GRASSES	COMMON NAME
BOG	Blue Oat Grass
ANNUALS/PERENNIALS	COMMON NAME
EP	Purple Coneflower
DECIDUOUS SHRUBS	COMMON NAME
CD	Blue Mist Shrub
EVERGREEN SHRUBS	COMMON NAME
AC	Manzanita
JH	Hughes Juniper
GROUND COVERS	COMMON NAME
[Symbol]	ENVIROTURF
[Symbol]	ROCK MULCH GREY, 1-1/2" MTN. GRANITE

**PARKER COLORADO**  
Final Document  
Subject To Conditions In Approval Letter  
APPROVED DATE: 07/24/2023  
Planning Approval By: S. Nerger



Prepared For  
**ESX MANAGEMENT**  
7353 SOUTH ALTON WAY  
CENTENNIAL, CO 80112

Land Planning  
people creating spaces  
pcs group inc. www.pcsgroupco.com  
#3, 8-180 Independence plaza  
1007 16th street, denver, co 80265  
1 303.531.4905 f 303.531.4908

Engineering  
**CVL CONSULTANTS**  
10333 E. DRY CREEK RD. #240  
ENGLEWOOD, CO 80112  
720-482-9526

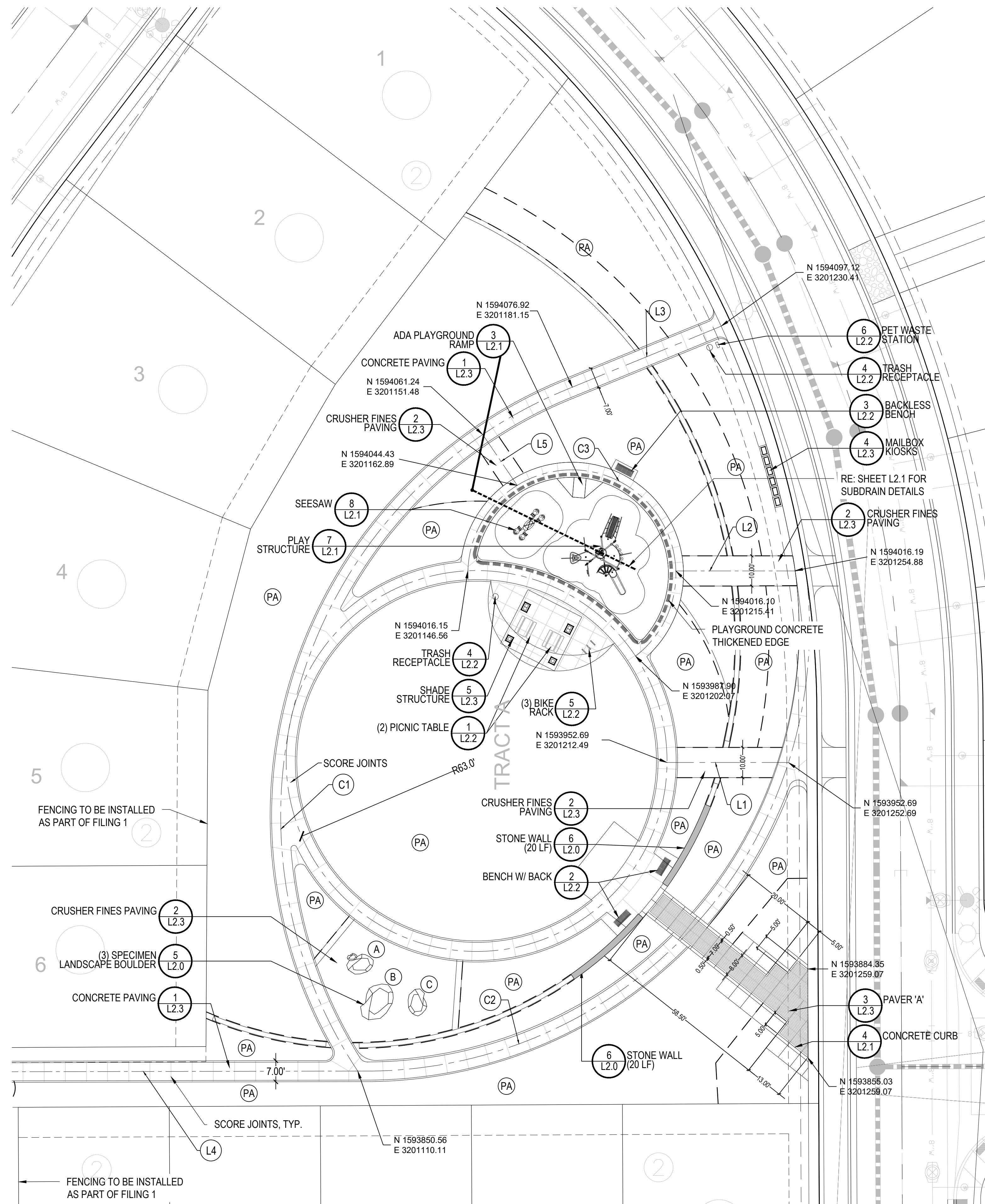
**TRAILS AT CROWFOOT**  
FILING NO. 3  
PARKER, COLORADO  
FINAL LANDSCAPE PLANS

Drawn by: JWI, BEM, GG  
Checked by: PCS STAFF  
Submittal Date: 04.18.2017  
Date: 12.15.2017  
Know what's below. Call before you dig. 811  
Date: 3.2.2018  
Date: 4.13.2018  
Date: 10.18.2021  
Date: 6.26.2023

Sheet Name  
**LANDSCAPE PLAN**

Sheet Number  
**L1.3**

Y:\HESSE RANCH\LANDSCAPE ARCHITECTURE\CURRENT DWGS\HESSE-LDSCP PLANS - FILING 3\_A3\_BUILDIS.DWG  
Monday, June 26, 2023



**LAYOUT NOTES**

- REFER TO CIVIL ENGINEER DRAWINGS/DATA SETS FOR PROJECT BENCHMARK AND BASIS OF BEARING.
- SITE LAYOUT DATA INCLUDING COORDINATE POINTS ARE DERIVED FROM CIVIL ENGINEERING CONSULTANT. CONTACT CIVIL ENGINEER REGARDING ANY DISCREPANCIES OR CLARIFICATIONS REGARDING COORDINATE SYSTEMS, SURVEY MARKERS OR OTHER HORIZONTAL CONTROL DATA.
- UNLESS OTHERWISE NOTED, DIMENSIONS ARE TO THE FOLLOWING: CENTERLINES, EDGE OF PAVING, CENTERS OF COLUMNS/POSTS.
- ALL EDGES OF PAVEMENT ARE TO BE STRAIGHT OR OF CONSISTENT RADIUS, IN THE CASE OF CURVES, AS SHOWN HEREON; NO UNSPECIFIED TANGENTS OR KINKS WILL BE APPROVED.
- ALL CONSTRUCTION LAYOUT STAKING IS TO BE PERFORMED BY A LAND SURVEYOR OR PROFESSIONAL ENGINEER REGISTERED IN THE STATE OF COLORADO, TO FACILITATE ACCURACY IN CONSTRUCTION STAKING, UPON WRITTEN REQUEST FROM CONTRACTOR, A CD CONTAINING THE ELECTRONIC DATA COMPRISING THESE SITE DEVELOPMENT DRAWINGS WILL BE FORWARDED FROM THE LANDSCAPE ARCHITECT TO THE LAND SURVEYOR OR PROFESSIONAL ENGINEER EMPLOYED TO PERFORM CONSTRUCTION STAKING.
- IN ORDER TO MAINTAIN THE INTEGRITY OF THE HORIZONTAL AND VERTICAL CONTROL FOR THE SITE, THE SURVEYOR OR PROFESSIONAL ENGINEER EMPLOYED BY THE CONTRACTOR TO PERFORM CONSTRUCTION LAYOUT STAKING SHALL SET AND PROTECT ADDITIONAL TRAVERSE POINTS OUTSIDE THE AREAS OF CONSTRUCTION ACTIVITY.

**LAYOUT KEYNOTES:**

**LEGEND**

- (PA) PLANTING AREA
- (A) BOULDER SIZE: 6'L x 4' W x 4'H
- (B) BOULDER SIZE: 8'L x 6' W x 5'H
- (C) BOULDER SIZE: 6'L x 3' W x 3'H

**LINE & CURVE TABLES**

Curve Table			
Curve #	Length(ft.)	Radius	Delta
C1	271.75	150	
C2	248.60	146	
C3	138	34	

Line Table			
Line #	Length(ft.)		
L1	40.19		
L2	40.23		
L3	53.23		
L4	133.63		
L5	20.32		

Prepared For

ESX MANAGEMENT  
7353 SOUTH ALTON WAY  
CENTENNIAL, CO 80112

Land Planning



pcs group inc. www.pcsgroupco.com  
#3, 8-180 Independence plaza  
1007 16th street, denver, co 80265  
1 303.531.4905 f 303.531.4908

Engineering

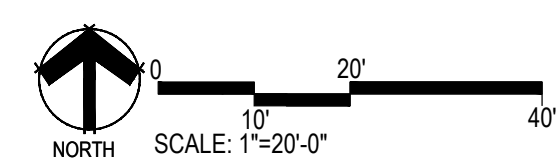


10333 E. DRY CREEK RD. #240  
ENGLEWOOD, CO 80112  
720-482-9526

**TRAILS AT CROWFOOT**  
**FILING NO. 3**  
 PARKER, COLORADO  
**FINAL LANDSCAPE PLANS**

Drawn by:	JWI, BEM, GG
Checked by:	PCS STAFF
Submittal Date:	04.18.2017
	12.15.2017
Know what's below. Call before you dig.	3.2.2018
	4.13.2018
	10.18.2021
	6.26.2023

  
**Final Document**  
**Subject To Conditions In Approval Letter**  
**APPROVED DATE: 07/24/2023**  
**Planning Approval By: S. Neger**

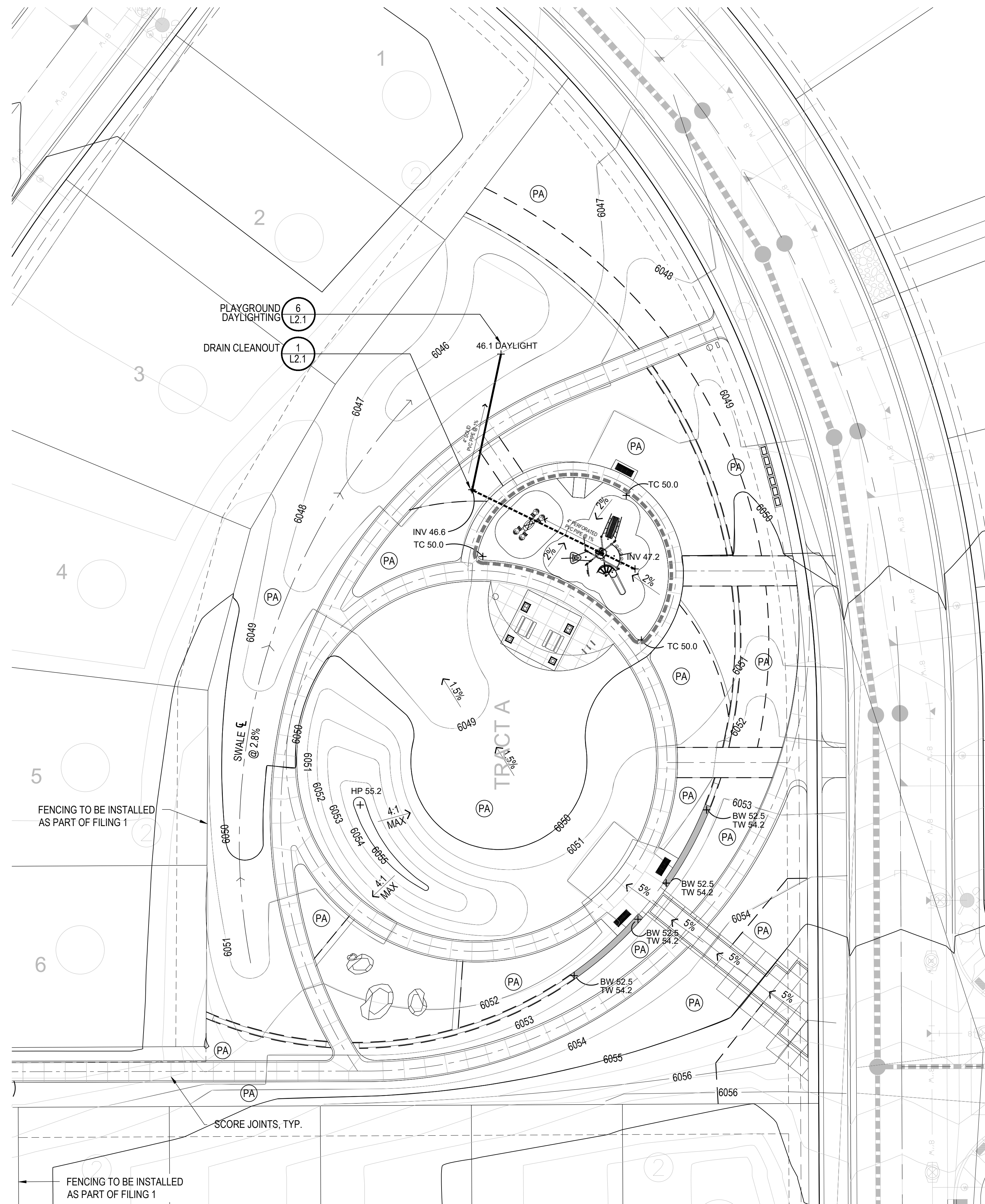


Sheet Name  
PARK LAYOUT  
ENLARGEMENT

Sheet Number

**L1.4**

Y:\HESSE RANCH\LANDSCAPE ARCHITECTURE\CURRENT DWGS\HESSE-LDSCP PLANS - FILING 3\_A3 BUILD.DWG  
Monday, June 26, 2023



### LANDSCAPE GRADING NOTES

1. SLOPES NOT TO EXCEED 4:1 MAX. - 1% MIN.
2. SATISFACTORY SOILS: ASTM D 2487 SOIL CLASSIFICATION GROUPS GW, GP, GM, SW, SP, AND SM, OR A COMBINATION OF THESE GROUP SYMBOLS: FREE OF ROCK OR GRAVEL LARGER THAN 3 INCHES (75 MM) IN ANY DIMENSION, DEBRIS, WASTE, FROZEN MATERIALS, VEGETATION, AND OTHER DELETERIOUS MATTER.
3. STRIP TOPSOIL TO WHATEVER DEPTHS ARE ENCOUNTERED IN A MANNER TO PREVENT INTERMINGLING WITH UNDERLYING SUBSOIL OR OTHER WASTE MATERIALS.
4. STRIP EXISTING SURFACES OF UNSUITABLE TOPSOIL, INCLUDING TRASH, DEBRIS, WEEDS, ROOTS, AND OTHER WASTE MATERIALS.
5. STOCKPILE TOPSOIL MATERIALS ON-SITE WITHOUT INTERMIXING WITH SUBSOIL.
6. REMOVE EXISTING VEGETATION, DEBRIS, UNSATISFACTORY SOIL MATERIALS, OBSTRUCTIONS, AND DELETERIOUS MATERIALS FROM GROUND SURFACE BEFORE PLACING FILLS.
7. PLOW, SCARIFY, BENCH, OR BREAK UP SLOPED SURFACES STEEPER THAN 1 VERTICAL TO 4 HORIZONTAL SO FILL MATERIAL WILL BOND WITH EXISTING MATERIAL.
8. PLACE AND COMPACT FILL MATERIAL IN LAYERS TO REQUIRED CROSS-SECTIONS, ELEVATIONS AND GRADES WITH SATISFACTORY SOIL MATERIAL.
9. UNIFORMLY GRADE AREAS TO A SMOOTH SURFACE, FREE FROM IRREGULAR SURFACE CHANGES. COMPLY WITH COMPACTION REQUIREMENTS AND GRADE TO CROSS SECTIONS, LINES, AND ELEVATIONS INDICATED.
10. PROVIDE A SMOOTH TRANSITION BETWEEN ADJACENT EXISTING GRADES AND NEW GRADES.
11. CUT OUT SOFT SPOTS, FILL LOW SPOTS AND TRIM HIGH SPOTS TO COMPLY WITH REQUIRED SURFACE TOLERANCES.
12. SITE GRADING: SLOPE GRADES TO DIRECT WATER AWAY FROM ADJACENT STRUCTURES AND TO PREVENT PONDING: FINISH SUBGRADES TO REQUIRED ELEVATIONS WITHIN THE FOLLOWING TOLERANCES:
  - A. AT LOCATIONS DESIGNATED FOR LAWN OR UNPAVED AREAS: PLUS OR MINUS 1 INCH (25 MM).
  - B. AT DESIGNATED PAVEMENT LOCATIONS: PLUS OR MINUS 1/2 INCH (13 MM).
13. GRADING ON SLOPES: INSTALL EROSION STABILIZATION FABRIC PER MANUFACTURERS RECOMMENDATIONS ON SLOPED SURFACES EQUAL TO OR GREATER THAN A RATIO OF 1) VERTICAL FOOT TO 3) HORIZONTAL FEET.
14. CONTRACTOR WILL ENGAGE A QUALIFIED INDEPENDENT GEOTECHNICAL ENGINEERING TESTING AGENCY TO PERFORM FIELD QUALITY CONTROL TESTING.
15. PROTECT NEWLY GRADED AREAS FROM TRAFFIC, FREEZING, AND EROSION. KEEP FREE OF TRASH AND DEBRIS.
16. REPAIR AND REESTABLISH GRADES TO SPECIFIED TOLERANCES WHERE COMPLETED OR PARTIALLY COMPLETED SURFACES BECOME ERODED, RUTTED, SETTLED, OR WHERE THEY LOSE COMPACTION DUE TO SUBSEQUENT CONSTRUCTION OPERATIONS OR WEATHER CONDITIONS.
17. WHERE SETTLING OCCURS BEFORE PROJECT CORRECTION PERIOD ELAPSES, REMOVE FINISHED SURFACE GRADING, BACKFILL WITH ADDITIONAL SOIL MATERIAL, COMPACT, AND RECONSTRUCT SURFACE GRADING.
18. TRANSPORT SURPLUS SATISFACTORY SOIL TO DESIGNATED STORAGE AREAS ON OWNER'S PROPERTY. STOCKPILE OR SPREAD SOIL AS DIRECTED BY OWNER.

### GRADING KEYNOTES:

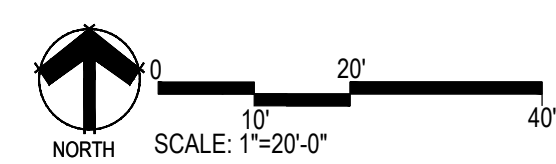
LEGEND	
(PA)	PLANTING AREA
6050	PROPOSED CONTOUR - MAJOR
6049	PROPOSED CONTOUR - MINOR
TC	TOP OF CURB
BC	BOTTOM OF CURB
HP	HIGH POINT
INV	INVERT RIM ELEVATION
TW	TOP OF WALL
BW	BOTTOM OF WALL




**Final Document**  
Subject to Conditions In Approval Letter

**APPROVED DATE: 07/24/2023**

Planning Approval By: **S. Nerger**



Prepared For  
**ESX MANAGEMENT**  
 7353 SOUTH ALTON WAY  
 CENTENNIAL, CO 80112

Land Planning  
  
 people creating spaces

pcs group inc. www.pcsgroupco.com  
 #3, 8180 Independence plaza  
 1007 16th street, denver, co 80265  
 1 303.531.4905, f 303.531.4908

Engineering  
  
 10333 E. DRY CREEK RD. #240  
 ENGLEWOOD, CO 80112  
 720-482-9526

**TRAILS AT CROWFOOT**  
 FILING NO. 3  
 PARKER, COLORADO  
**FINAL LANDSCAPE PLANS**

Drawn by:	JWI, BEM, GG
Checked by:	PCS STAFF
Submittal Date:	04.18.2017
	12.15.2017
	3.2.2018
	4.13.2018
	10.18.2021
	6.26.2023

Sheet Name  
**PARK GRADING ENLARGEMENT**

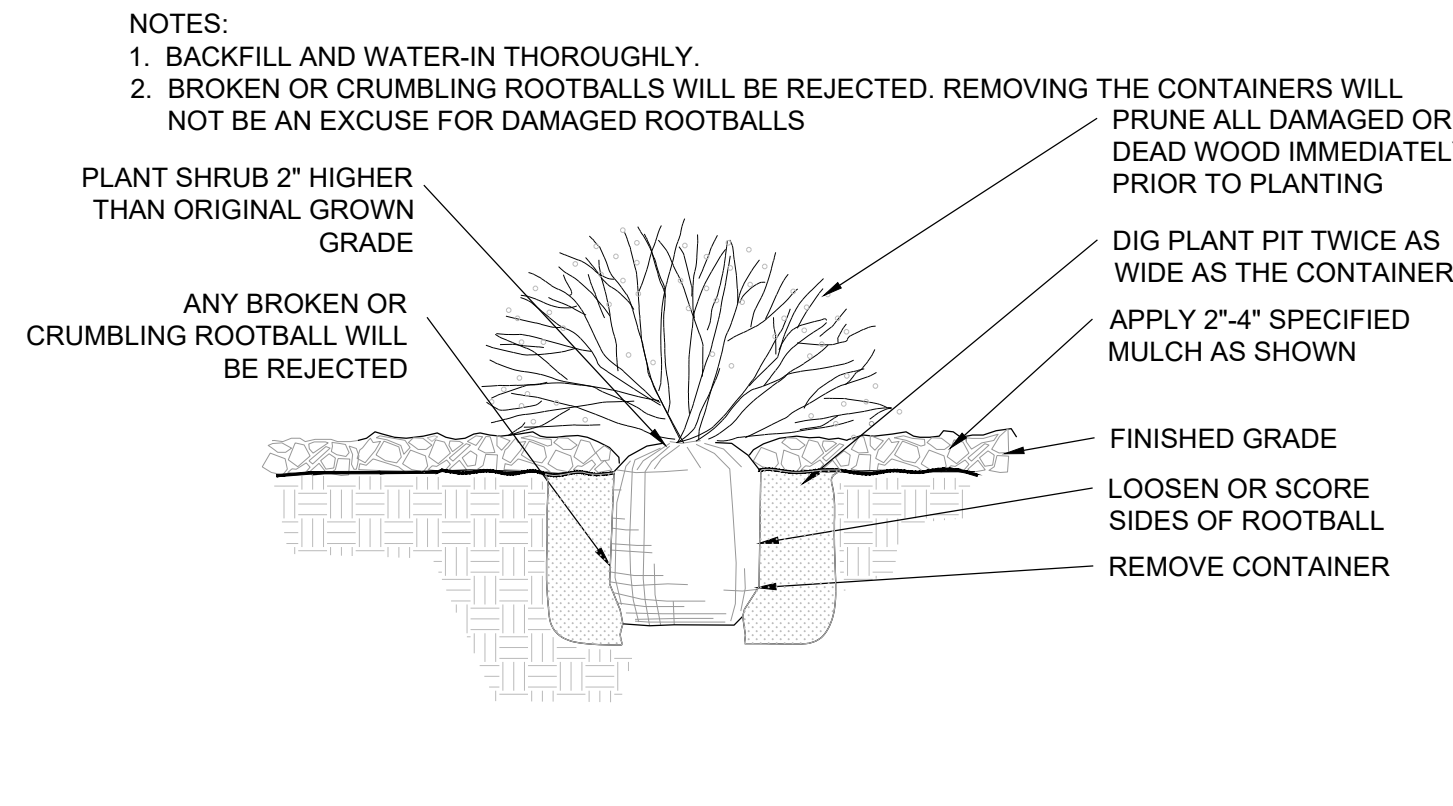
Sheet Number  
**L1.5**



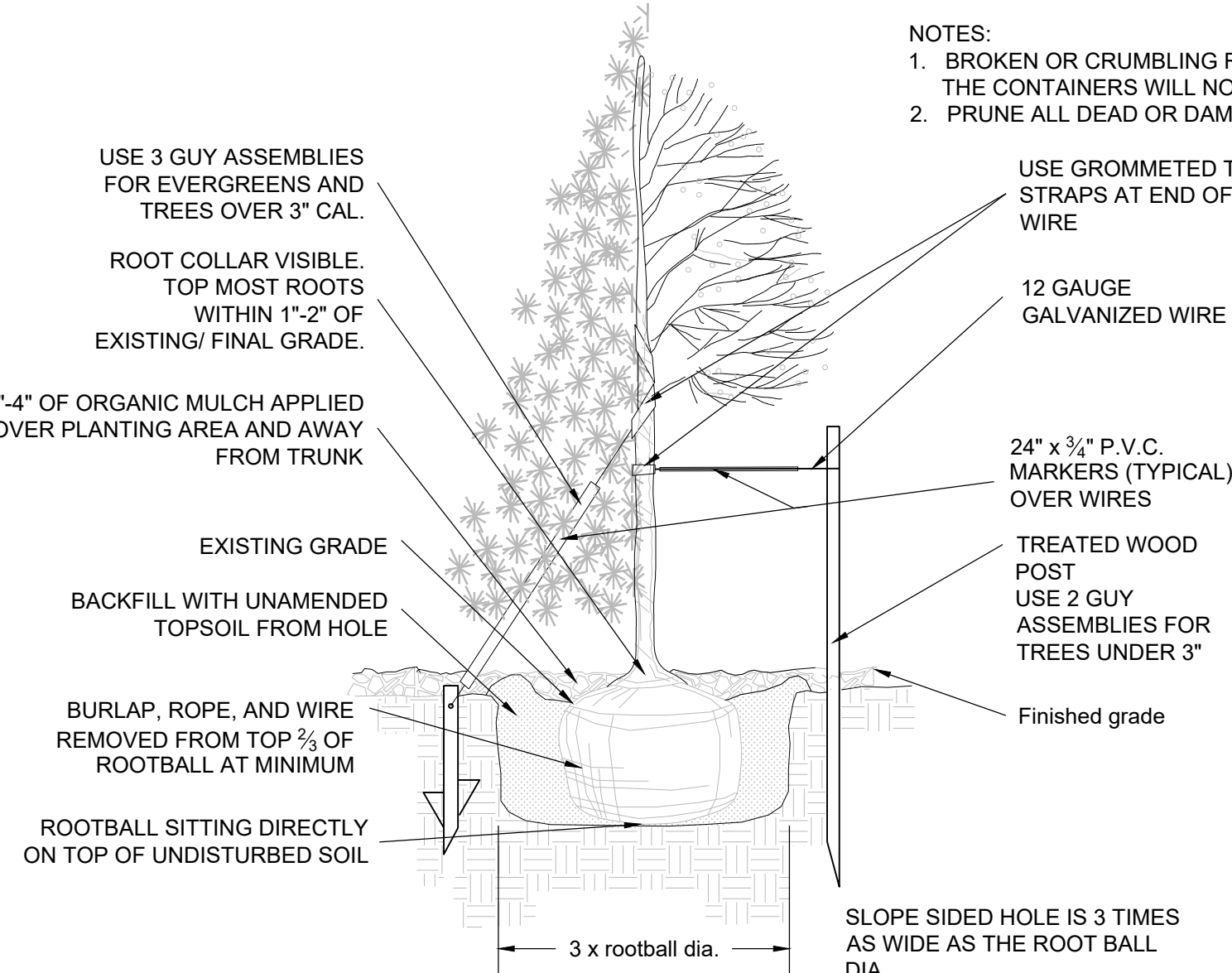
pcs group inc. www.pcsgroupco.com  
#3, 8-180 Independence plaza  
1007 16th street, denver, co 80265  
1 303.531.4905 / 1 303.531.4908



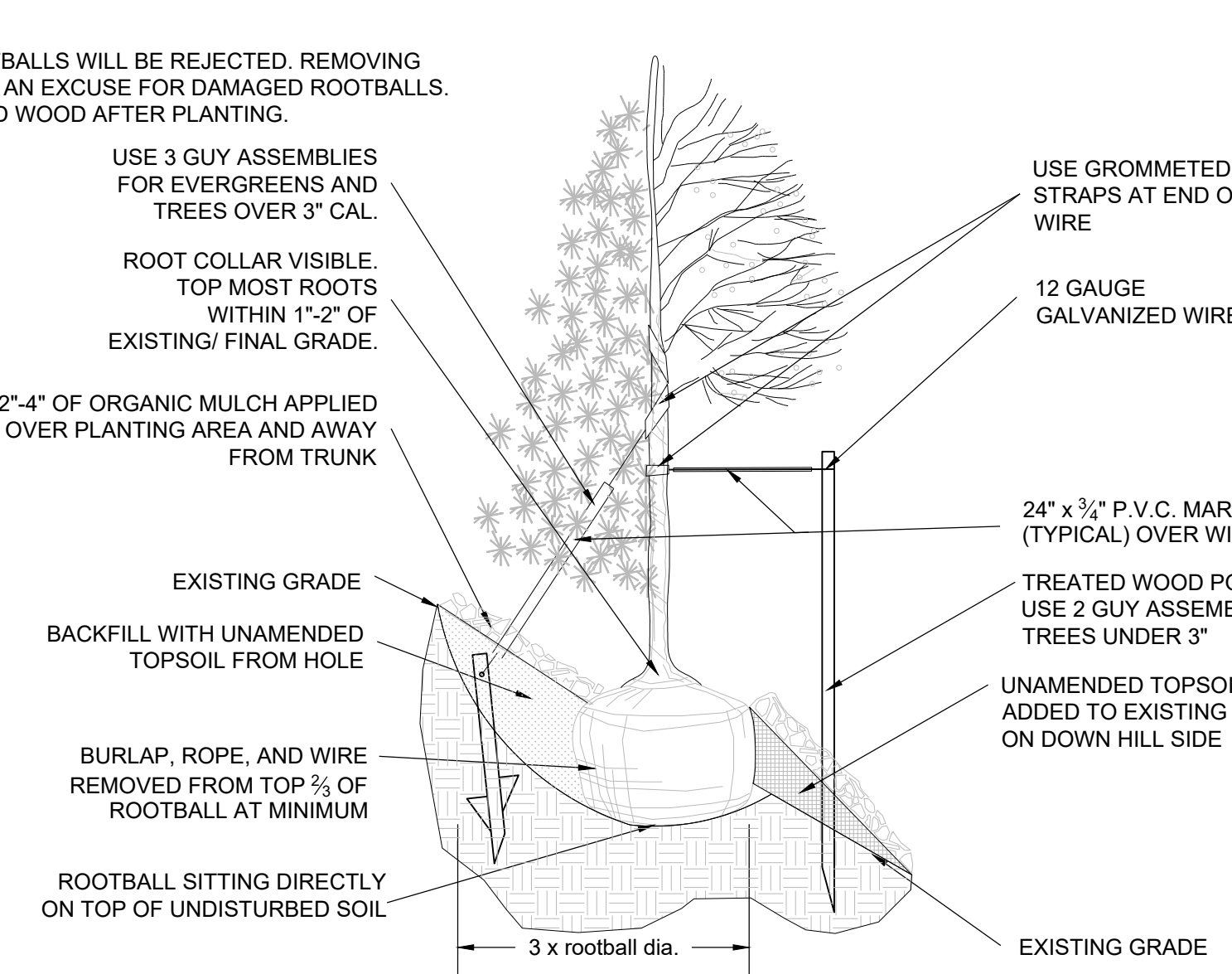
10333 E. DRY CREEK RD. #240  
ENGLEWOOD, CO 80112  
720-482-9526



1 SHRUB PLANTING NOT TO SCALE

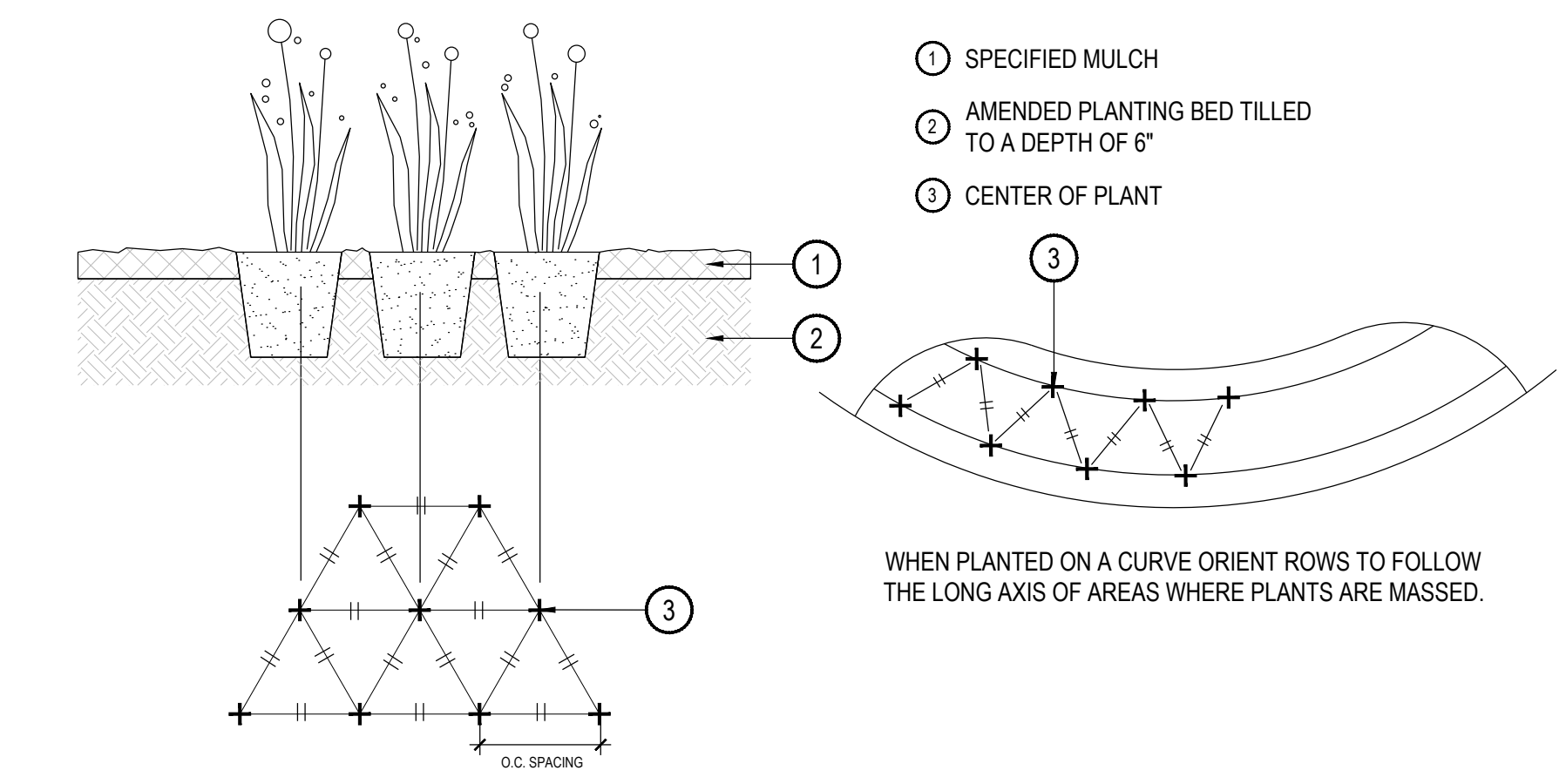


2 TREE PLANTING NOT TO SCALE

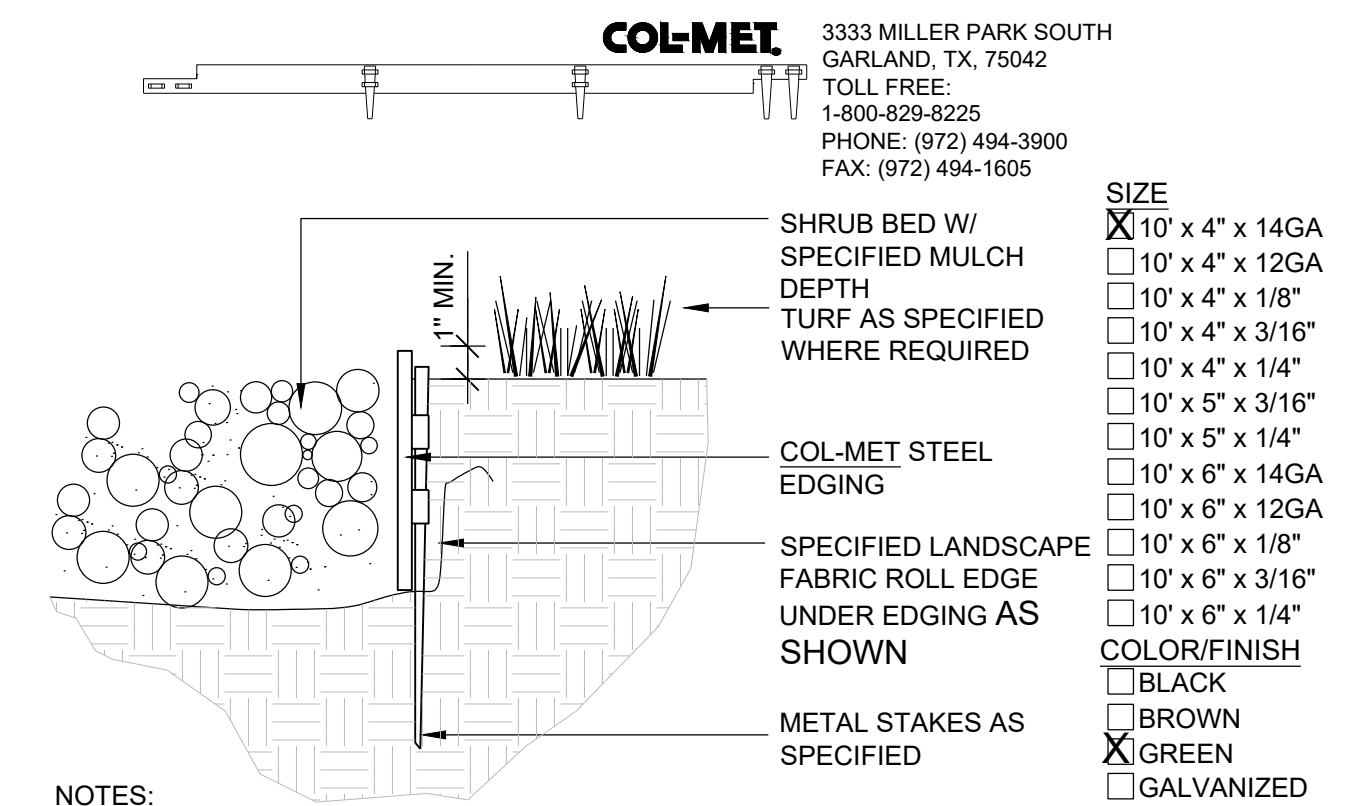


2 TREE PLANTING NOT TO SCALE

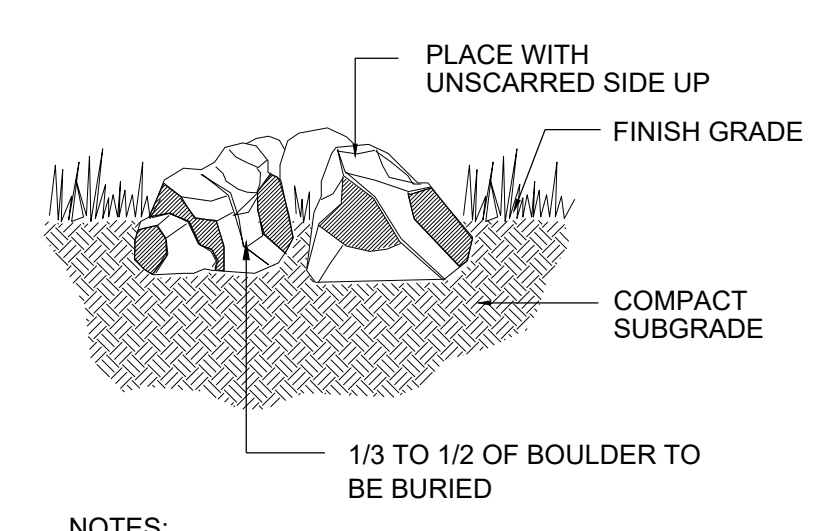
- NOTES:
1. ALL WORK TO BE DONE AT TIME OF PLANTING
  2. PEEL BACK ONLY TOP OF BURLAP REQUIRED TO PERFORM WORK. REPLACE BURLAP BEFORE MOVING TREE INTO PLANTING PIT. DO NOT REMOVE WIRE BASKET UNTIL INSIDE PLANTING PIT.
  3. MEASURE NEW HEIGHT OF ROOTBALL AND DIG PLANTING PIT SO FINAL TOP ROOTBALL GRADE IS 3\"/>
  4. EXCAVATE PLANTING HOLES WITH SLOPING SIDES. MAKE EXCAVATIONS AT LEAST THREE TIMES AS WIDE AS THE ROOT BALL DIAMETER AND NO DEEPER THAN THE DISTANCE FROM THE TOP MOST ROOTS IN THE ROOT BALL TO THE BOTTOM OF THE ROOT BALL TO ALLOW FOR SETTLING. DO NOT DISTURB SOIL AT BOTTOM OF PLANTING HOLES, BUT DO SCORE THE SIDES OF THE PLANTING HOLE. THE PLANTING AREA SHALL BE LOOSEND AND AERATED AT LEAST THREE TIMES THE DIAMETER OF THE ROOT BALL. BACKFILL SHALL CONSIST OF EXISTING SITE TOPSOIL - NO AMENDMENTS SHALL BE USED UNLESS OTHERWISE SPECIFIED.
  5. TREES SHALL BE PLANTED WITH THE ROOT COLLAR/FLARE VISIBLE ABOVE GRADE AND TWO OR MORE STRUCTURAL ROOTS LOCATED WITHIN THE TOP 1\"/>
  6. WHEN ROOT BALL WILL REMAIN INTACT, CUT OFF BOTTOM 1/4 OF WIRE BASKET BEFORE PLACING TREE IN HOLE, CUT OFF REMAINDER OF BASKET AFTER TREE IS SET IN HOLE, REMOVE BASKET COMPLETELY. AT A MINIMUM, THE TOP 2/3 OF THE BURLAP AND BASKET SHALL BE REMOVED FROM THE ROOT BALL ON ALL TREES. REMOVE ALL NYLON TIES, TWINE, ROPE AND BURLAP. REMOVE UNNECESSARY PACKING MATERIAL FORM SOIL INTO A 3\"/>
  7. THIS IS NOT NECESSARY IN IRRIGATED TURF AREAS. APPLY 2\"/>
  8. STAKING AND GUYING OF TREES IS OPTIONAL IN MOST PLANTING SITUATIONS. IN AREAS OF EXTREME WINDS OR ON STEEP SLOPES, STAKING MAY BE REQUIRED TO STABILIZE TREES. STAKING AND GUYING MUST BE REMOVED WITHIN 1 YEAR OF PLANTING DATE.
  9. TREE WRAP IS NOT TO BE USED ON ANY NEW PLANTINGS, EXCEPT IN LATE FALL PLANTING SITUATIONS AND ONLY THEN AFTER CONSULTATION WITH THE TOWN ARBORIST.
  10. RESETTING OF IMPROPERLY PLANTED TREES WILL ONLY BE ALLOWED IF IT IS DETERMINED THAT DOING SO WILL IN NO WAY COMPROMISE THE ROOT BALL, AND SHALL ONLY BE DONE WITH APPROVAL OF THE TOWN ARBORIST.



3 PERENNIAL OR GRASS PLANTING NOT TO SCALE



4 STEEL EDGER NOT TO SCALE



5 SPECIMEN LANDSCAPE BOULDER NOT TO SCALE

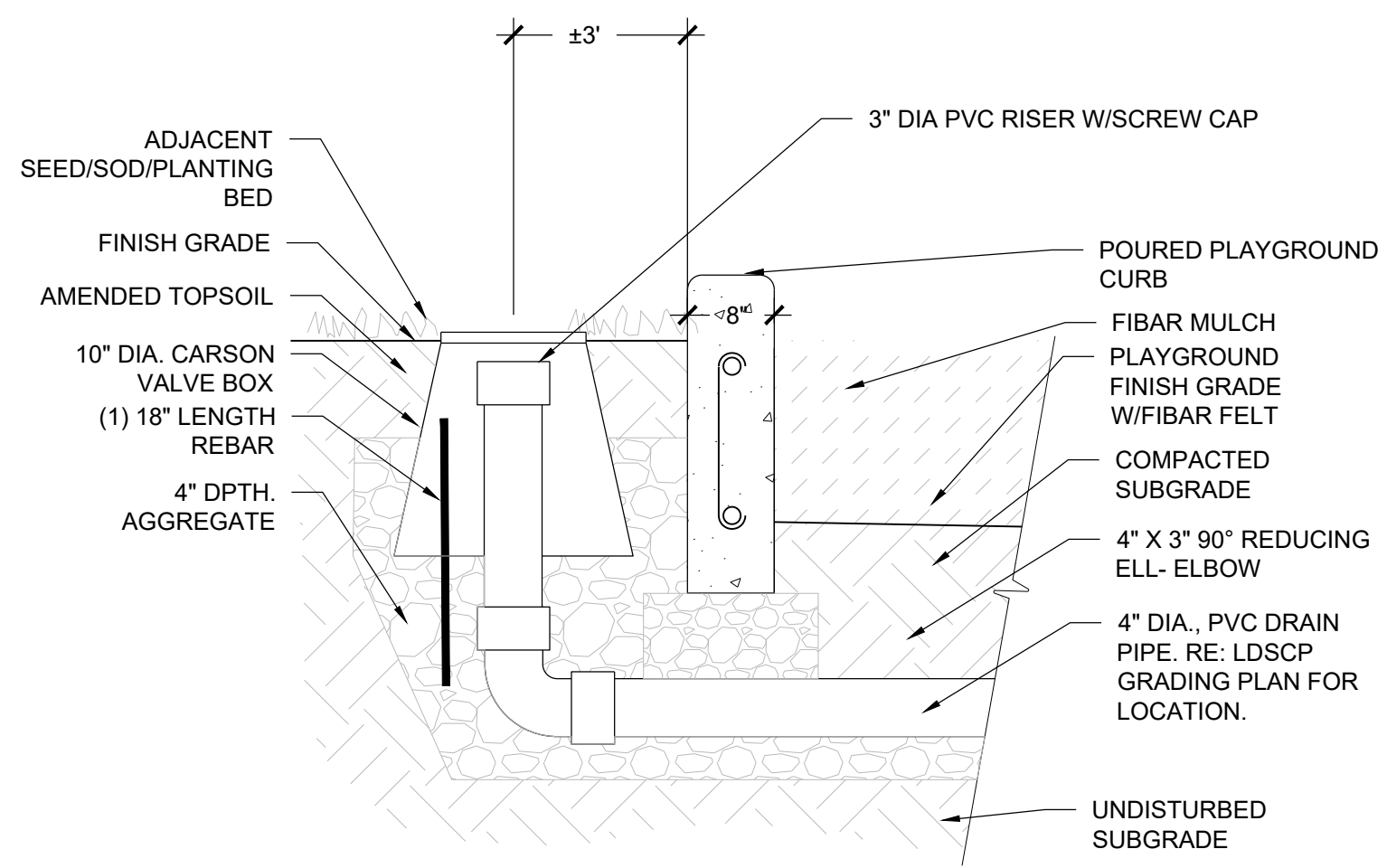
Y:\HSS RANCH\LANDSCAPE ARCHITECTURE\CURRENT DWGS\HSS-LOSCP PLANS - FILING 3\_A3\_BUILTS.DWG  
Monday, June 26, 2023

**PARKER COLORADO**  
Final Document  
Subject To Conditions In Approval Letter  
APPROVED DATE: 07/24/2023  
Planning Approval By: S. Nerger

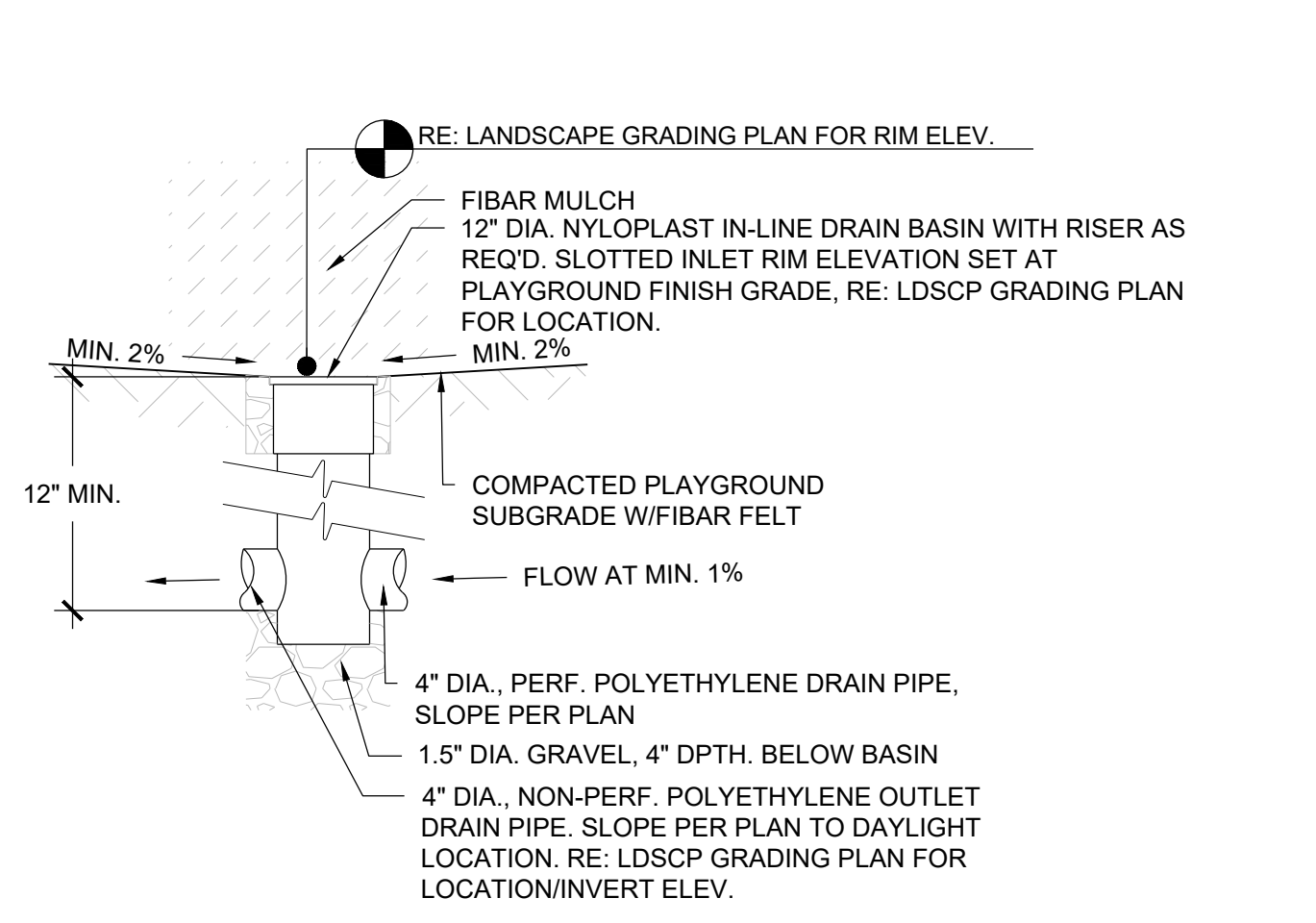
Drawn by: JWI, BEM, GG  
Checked by: PCS STAFF  
Submittal Date: 04.18.2017  
12.15.2017  
3.2.2018  
4.13.2018  
10.18.2021  
6.26.2023



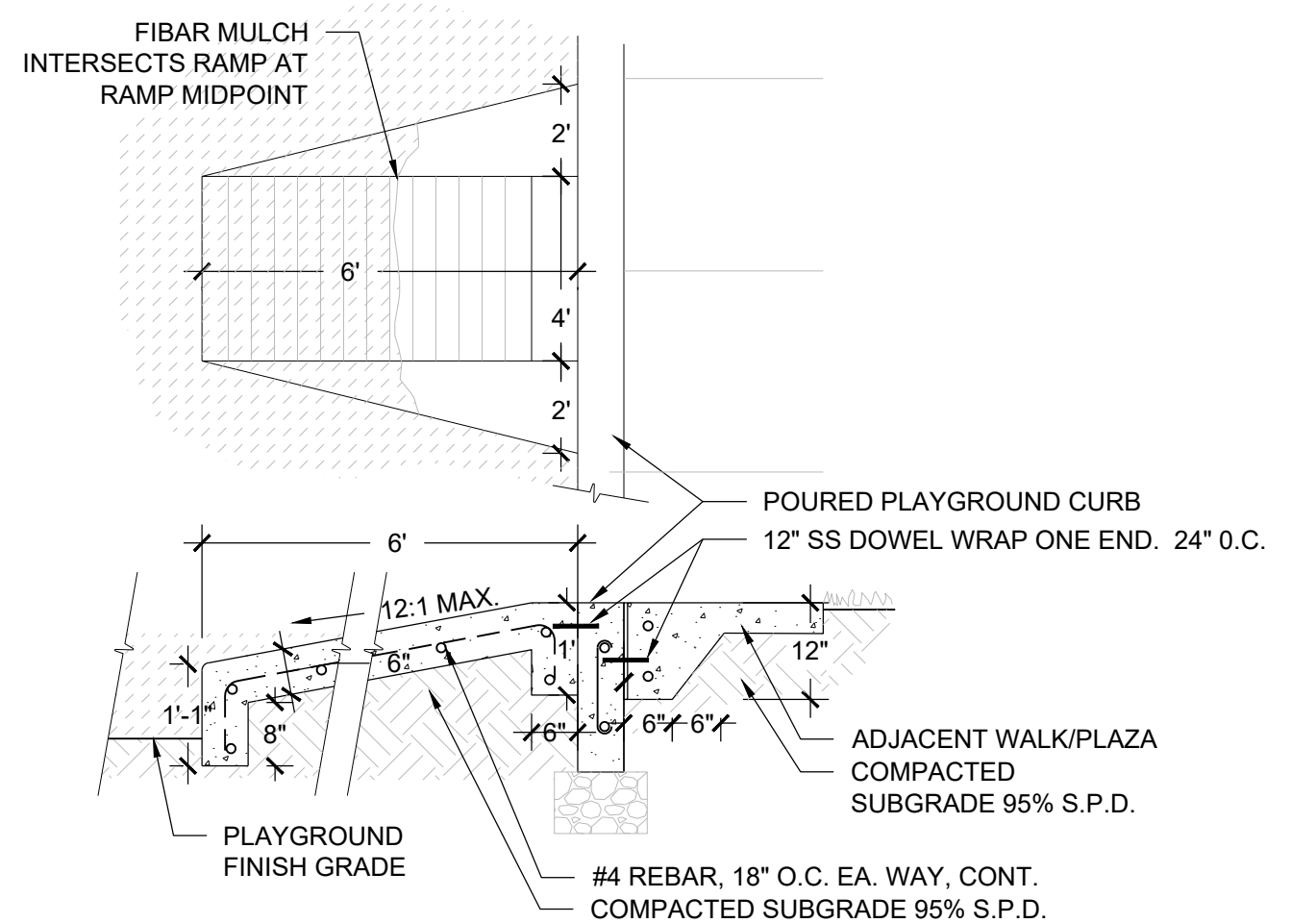
TRAILS AT CROWFOOT  
FILING NO. 3  
PARKER, COLORADO  
FINAL LANDSCAPE PLANS



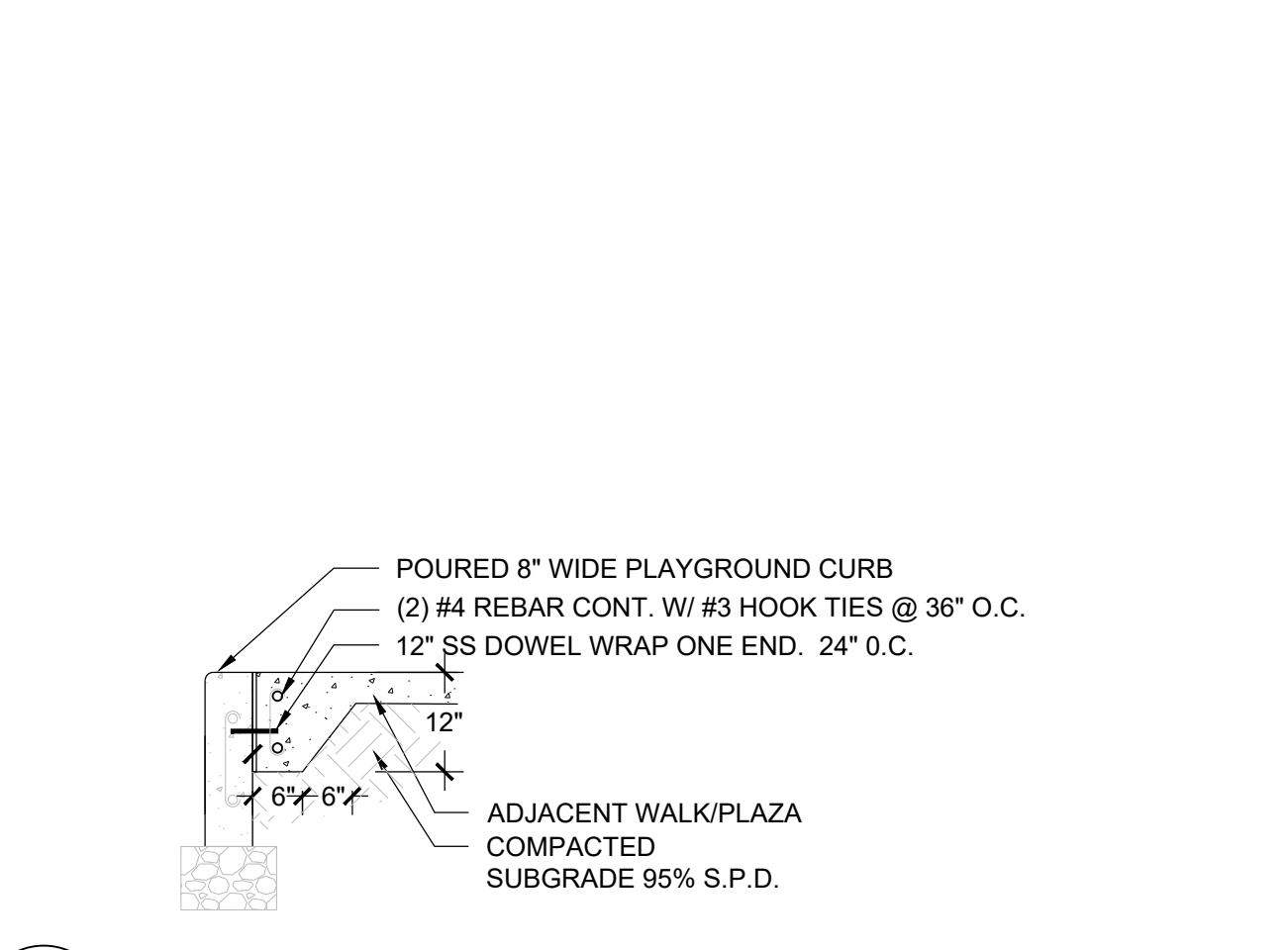
1 DRAIN CLEAN-OUT NOT TO SCALE



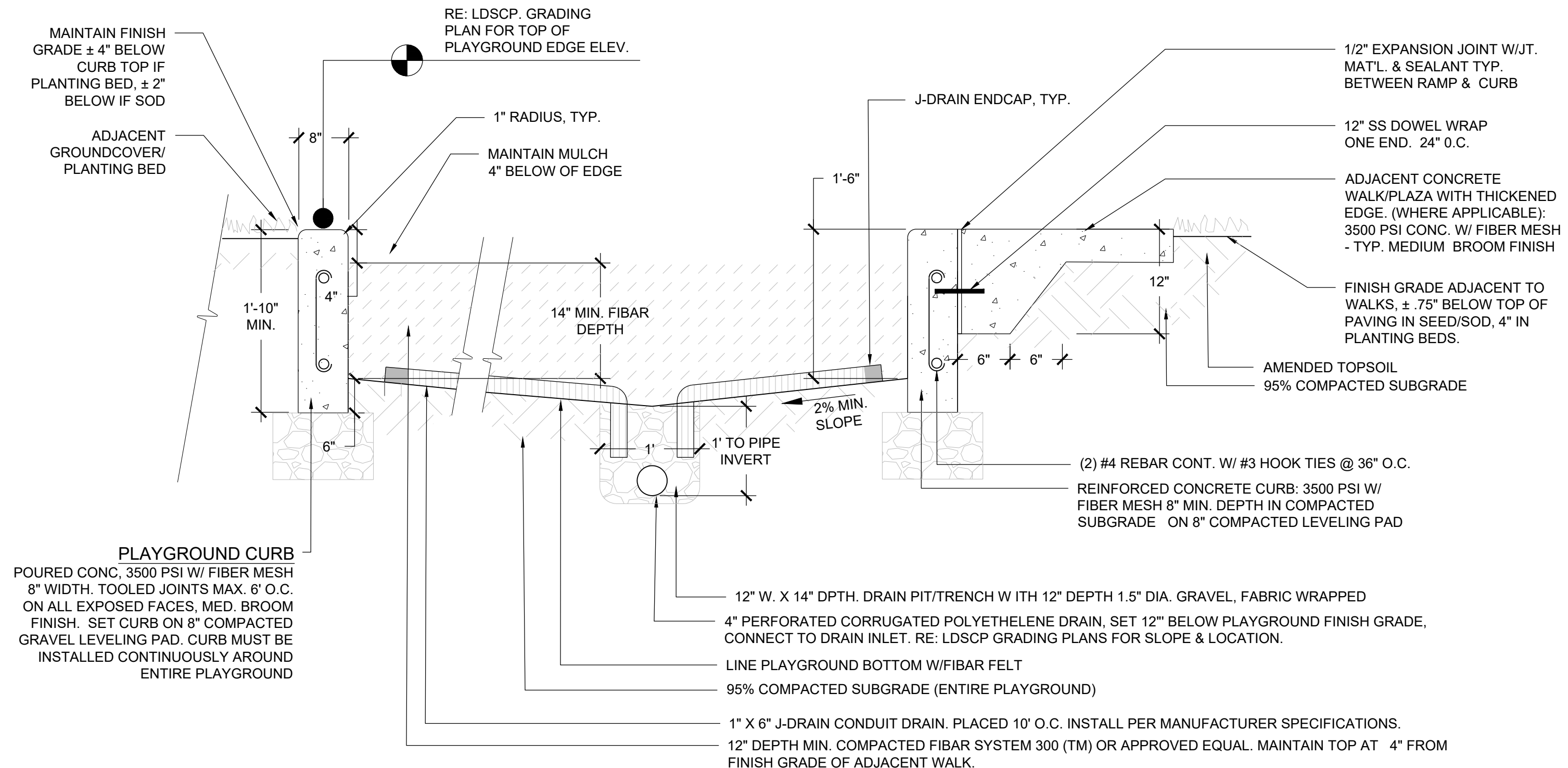
2 PLAYGROUND DRAIN NOT TO SCALE



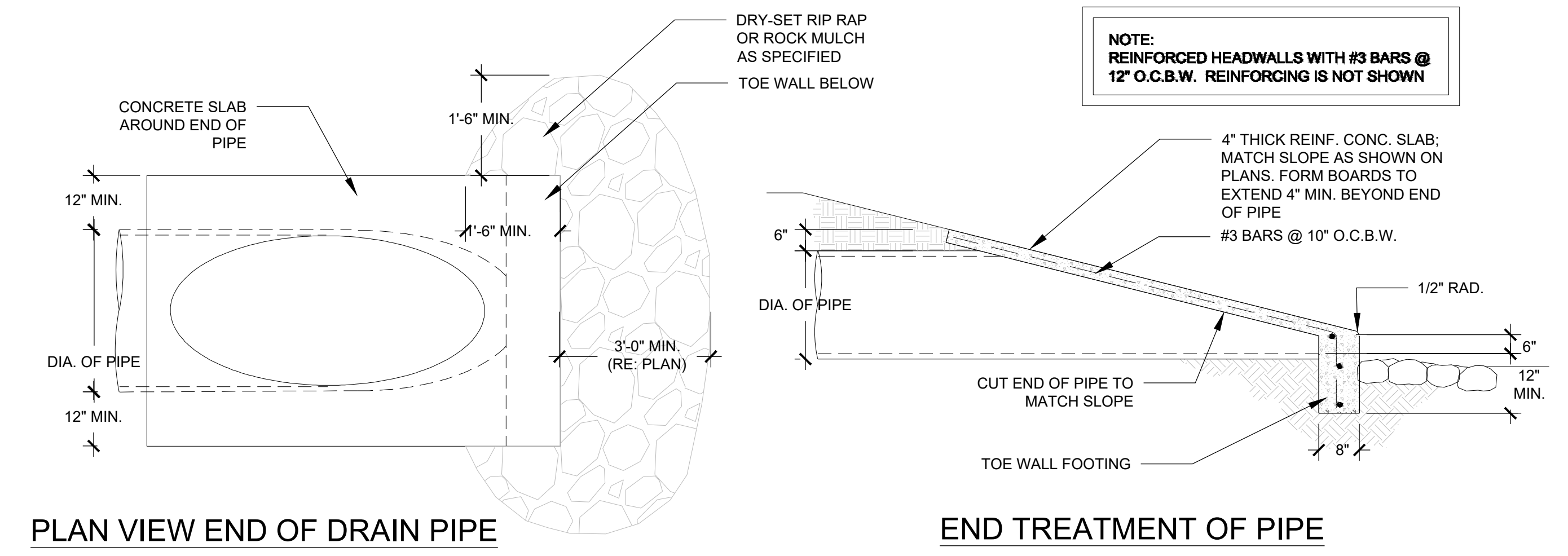
3 ADA PLAYGROUND RAMP NOT TO SCALE



4 PLAYGROUND CURB NOT TO SCALE



5 PLAYGROUND, CURB, SURFACE & DRAINAGE NOT TO SCALE



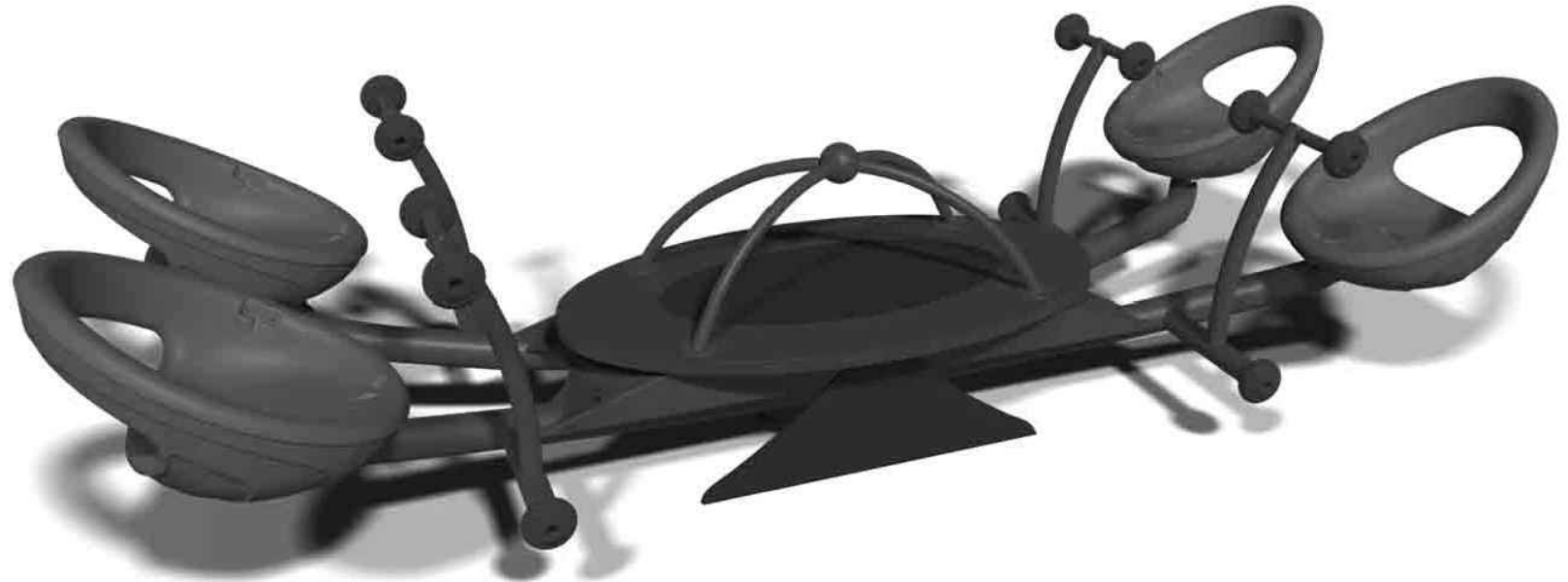
6 PLAYGROUND DAYLIGHTING NOT TO SCALE



7 PLAY STRUCTURE NOT TO SCALE

MANUFACTURER: LANDSCAPE STRUCTURES  
MODEL: WEEVOS PLAY STRUCTURE  
1. COZY COASTER SLIDE - #16417AB  
2. GIGGLE JIGGLER CLIMBER - #16417AC  
3. WEE PLANET CLIMBER - #173573A  
4. SWIGGLY STIX BRIDGE - #173575A  
5. RAIN SOUND WHEEL PANEL - #177720  
6. TWIRLY BAR - #164173  
CONTACT: ROCKY MOUNTAIN RECREATION  
ISABEL KEEGAN  
303-783-1452

NOTES:  
1. INSTALLATION PER MANUFACTURERS  
RECOMMENDATIONS



8 SEESAW NOT TO SCALE

**PARKER COLORADO**  
Final Document  
Subject To Conditions In Approval Letter  
APPROVED DATE: 07/24/2023  
Planning Approval By: S. Nerger

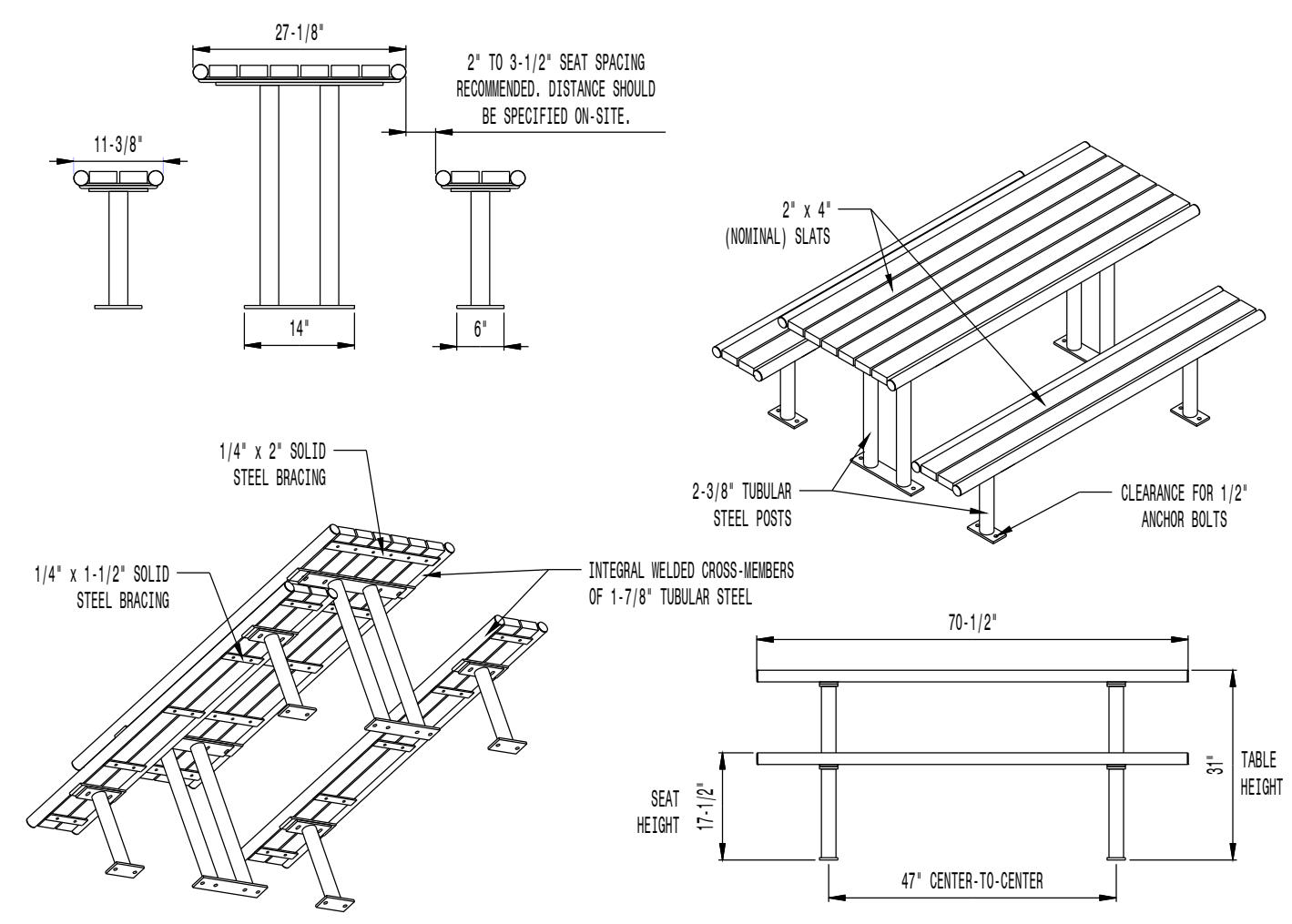
MANUFACTURER: LANDSCAPE STRUCTURES  
MODEL: WEEVOS WE-SAW - #186940  
CONTACT: ROCKY MOUNTAIN RECREATION  
ISABEL KEEGAN  
303-783-1452

NOTES:  
1. INSTALLATION PER MANUFACTURERS  
RECOMMENDATIONS

Drawn by:	JWI, BEM, GG
Checked by:	PCS STAFF
Submittal Date:	04.18.2017
	12.15.2017
	3.2.2018
	4.13.2018
	10.18.2021
	6.26.2023

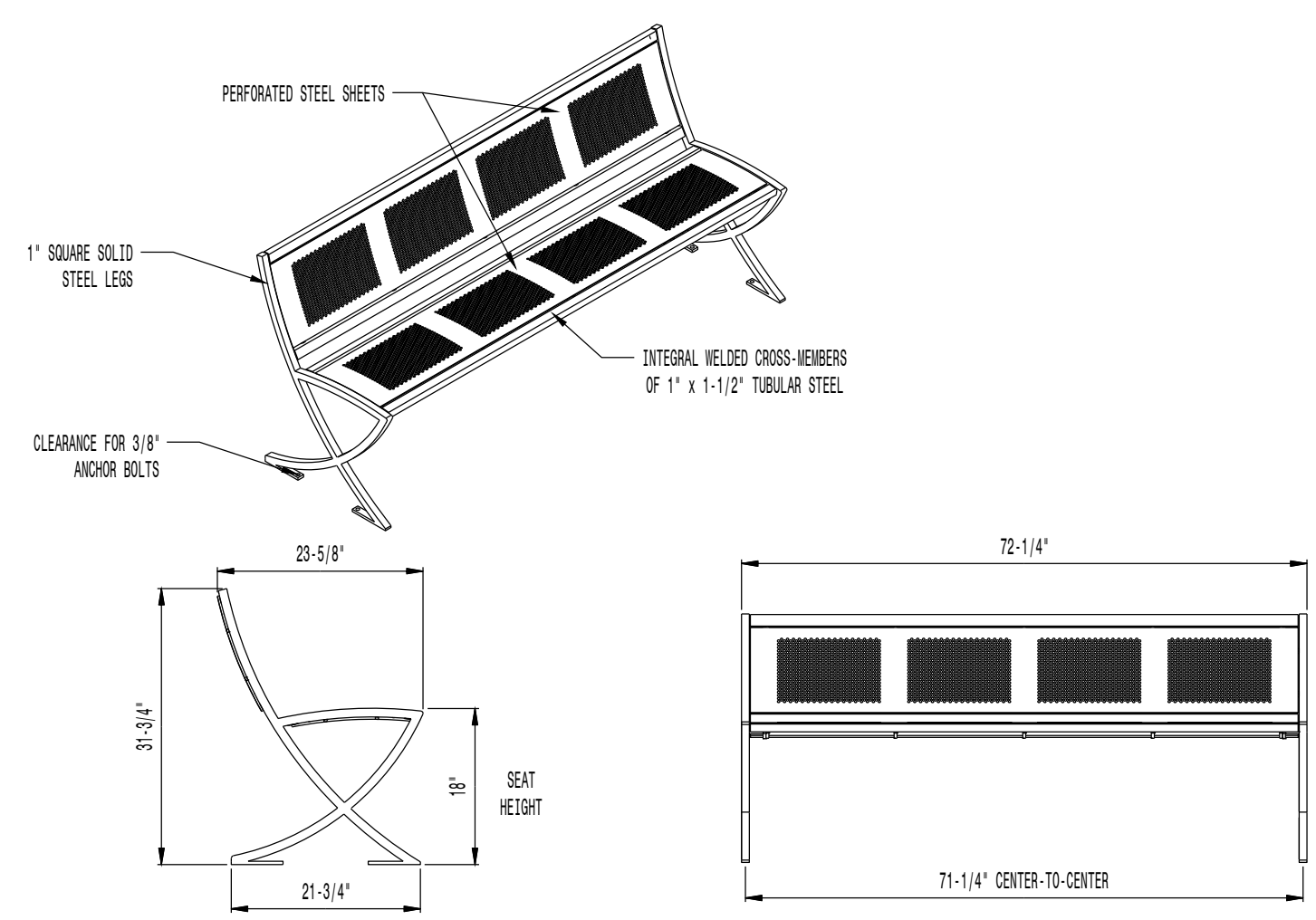
Sheet Name  
SITE & LANDSCAPE  
DETAILS

Sheet Number  
L2.1



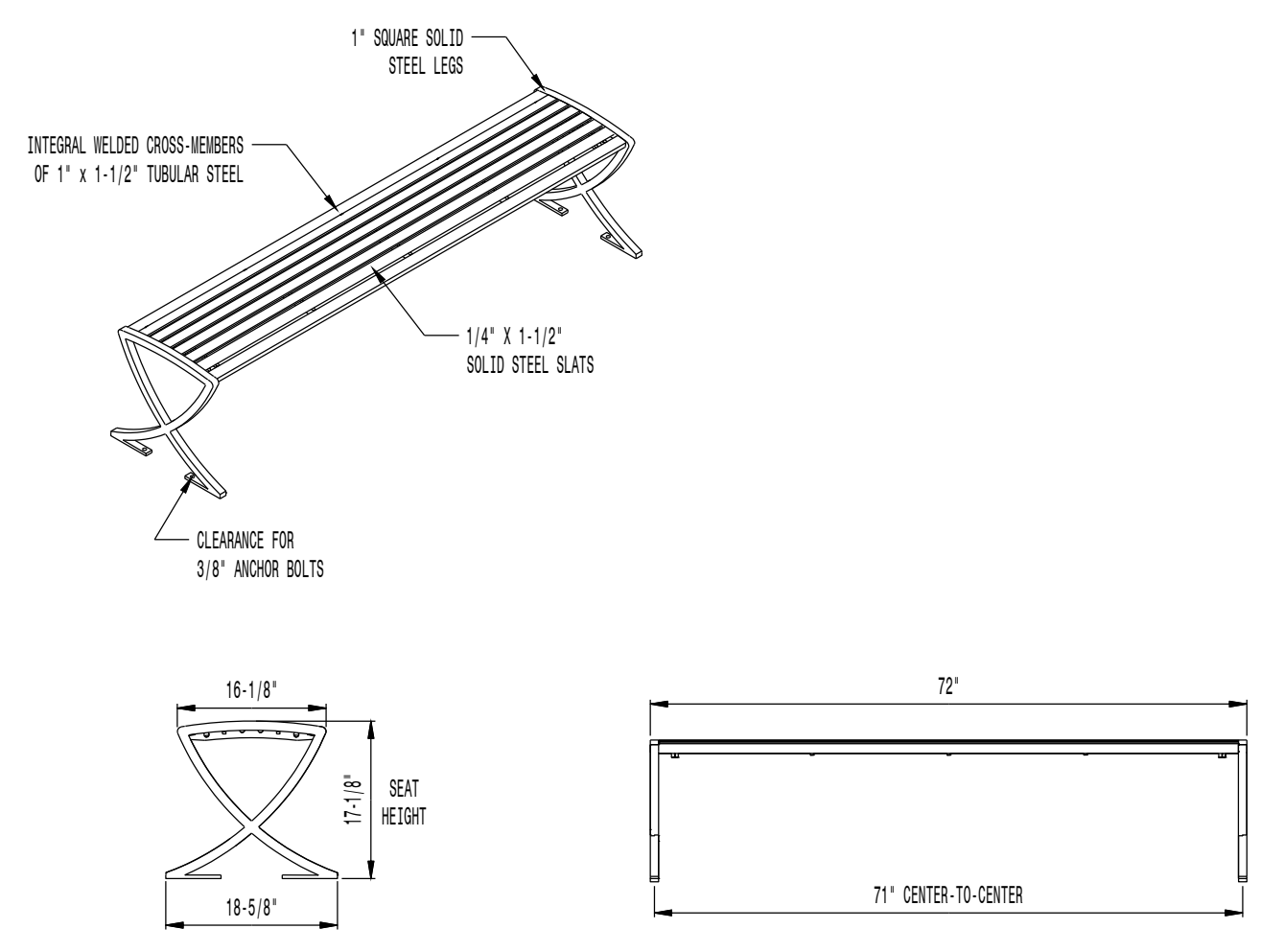
**SPECIFICATIONS:**  
MODEL: GREENSITES COLLECTION -CM-56 SERIES  
QUANTITY: 2  
LENGTH: (6' LENGTH)  
METAL COLOR: POWDER COATED BRONZE  
RECYCLED PLASTIC SLATS COLOR: MAPLE  
MOUNTING: SURFACE  
MANUFACTURER: VICTOR STANLEY, INC.  
AS SUPPLIED BY DOWNS & ASSOCIATES  
CONTACT: SYDNEY DOWNS  
P: 303-744-0488

**NOTES:**  
1. DRAWINGS NOT TO SCALE. DO NOT SCALE DRAWINGS.  
2. ALL FABRICATED METAL COMPONENTS ARE STEEL SHOTBLASTED, ETCHED, PHOSPHATIZED, PREHEATED, AND ELECTROSTATICALLY POWDER COATED WITH T.G.C. POLYESTER POWDER COATINGS. PRODUCTS ARE FULLY CLEANED AND PRETREATED, PREHEATED AND COATED WHILE HOT TO FILL CREVICES AND BUILD COATING FILM. COATED PARTS ARE THEN FULLY CURED TO COATING MANUFACTURER'S SPECIFICATIONS THE THICKNESS OF THE RESULTING FINISH AVERAGES 8-10 MILS (200-250 MICRONS).  
3. IT IS NOT RECOMMENDED TO LOCATE ANCHOR BOLTS UNTIL TABLES AND BENCHES ARE IN PLACE. THIS VICTOR STANLEY, INC. PRODUCT MUST BE PERMANENTLY AFFIXED TO THE GROUND. CONSULT YOUR LOCAL CODES FOR REGULATIONS.  
4. ANCHOR BOLTS NOT PROVIDED BY VICTOR STANLEY, INC.  
5. FOR HIGH SALT ABUSIVE CLIMATES, HOT DIP GALVANIZING BEFORE POWDER COATING IS AVAILABLE. SEE WRITTEN SPECIFICATIONS FOR DETAILS.  
6. ALL SPECIFICATIONS ARE SUBJECT TO CHANGE. CONTACT MANUFACTURER FOR DETAILS.  
7. THIS PRODUCT IS SHIPPED PARTIALLY UNASSEMBLED.



**SPECIFICATIONS:**  
MODEL: LILY BENCH LIL-20NA -P- WITHOUT ARMRESTS  
QUANTITY: 2  
LENGTH: (6' LENGTH)  
SEAT SURFACE: PERFORATED  
COLOR: POWDER COATED BRONZE  
MOUNTING: SURFACE  
MANUFACTURER: VICTOR STANLEY, INC.  
AS SUPPLIED BY DOWNS & ASSOCIATES  
CONTACT: SYDNEY DOWNS  
P: 303-744-0488

**NOTES:**  
1. DRAWINGS NOT TO SCALE. DO NOT SCALE DRAWINGS.  
2. ALL FABRICATED METAL COMPONENTS ARE STEEL SHOTBLASTED, ETCHED, PHOSPHATIZED, PREHEATED, AND ELECTROSTATICALLY POWDER COATED WITH T.G.C. POLYESTER POWDER COATINGS. PRODUCTS ARE FULLY CLEANED AND PRETREATED, PREHEATED AND COATED WHILE HOT TO FILL CREVICES AND BUILD COATING FILM. COATED PARTS ARE THEN FULLY CURED TO COATING MANUFACTURER'S SPECIFICATIONS THE THICKNESS OF THE RESULTING FINISH AVERAGES 8-10 MILS (200-250 MICRONS).  
3. IT IS NOT RECOMMENDED TO LOCATE ANCHOR BOLTS UNTIL TABLES AND BENCHES ARE IN PLACE. THIS VICTOR STANLEY, INC. PRODUCT MUST BE PERMANENTLY AFFIXED TO THE GROUND. CONSULT YOUR LOCAL CODES FOR REGULATIONS.  
4. ANCHOR BOLTS NOT PROVIDED BY VICTOR STANLEY, INC.  
5. FOR HIGH SALT ABUSIVE CLIMATES, HOT DIP GALVANIZING BEFORE POWDER COATING IS AVAILABLE. SEE WRITTEN SPECIFICATIONS FOR DETAILS.  
6. ALL SPECIFICATIONS ARE SUBJECT TO CHANGE. CONTACT MANUFACTURER FOR DETAILS.  
7. THIS PRODUCT IS SHIPPED PARTIALLY UNASSEMBLED.



**SPECIFICATIONS:**  
MODEL: LILY BENCH LIL-23NA-F-WITHOUT ARMRESTS  
QUANTITY: 1  
LENGTH: (6' LENGTH)  
SEAT SURFACE: RECYCLED SOLID STEEL BARS  
COLOR: POWDER COATED BRONZE  
MANUFACTURER: VICTOR STANLEY, INC.  
AS SUPPLIED BY DOWNS & ASSOCIATES  
CONTACT: SYDNEY DOWNS  
P: 303-744-0488

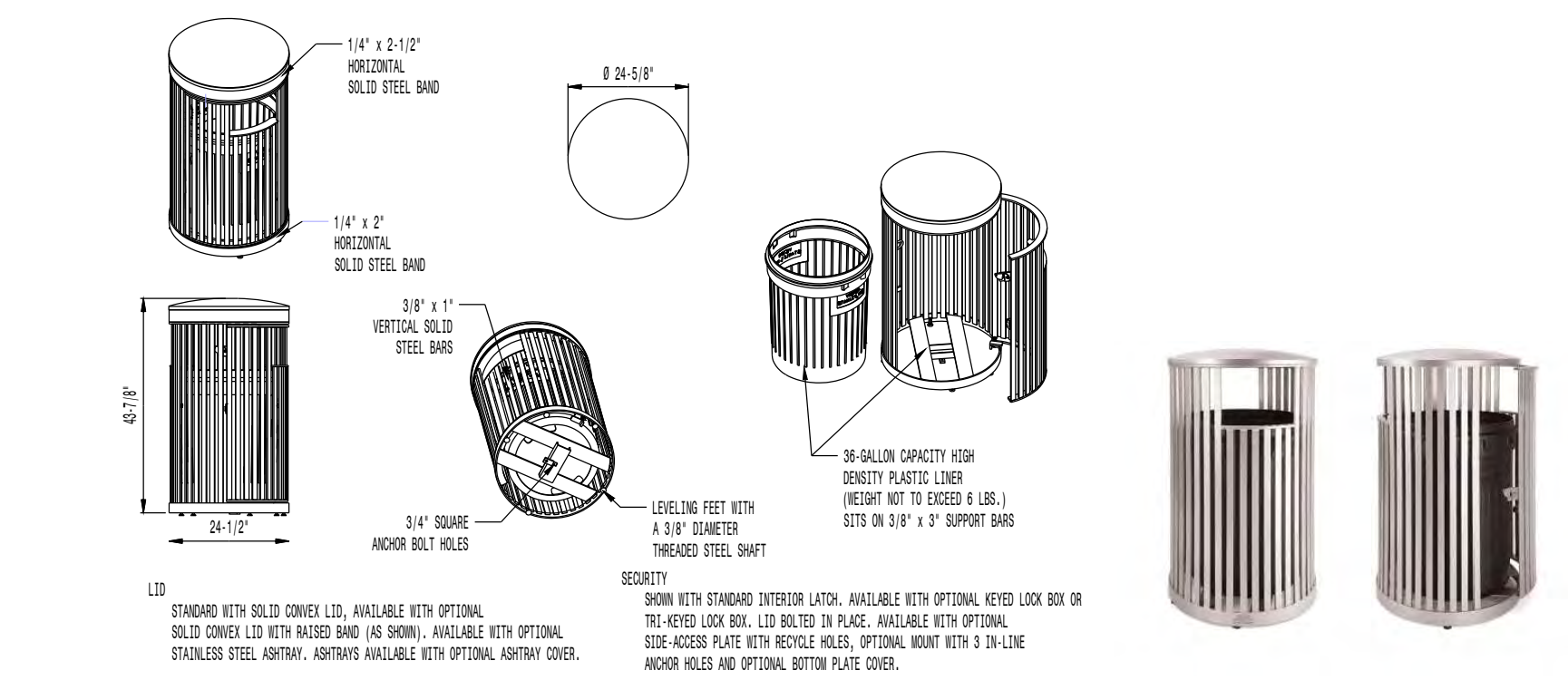
**NOTES:**  
1. DRAWINGS NOT TO SCALE. DO NOT SCALE DRAWINGS.  
2. ALL FABRICATED METAL COMPONENTS ARE STEEL SHOTBLASTED, ETCHED, PHOSPHATIZED, PREHEATED, AND ELECTROSTATICALLY POWDER COATED WITH T.G.C. POLYESTER POWDER COATINGS. PRODUCTS ARE FULLY CLEANED AND PRETREATED, PREHEATED AND COATED WHILE HOT TO FILL CREVICES AND BUILD COATING FILM. COATED PARTS ARE THEN FULLY CURED TO COATING MANUFACTURER'S SPECIFICATIONS THE THICKNESS OF THE RESULTING FINISH AVERAGES 8-10 MILS (200-250 MICRONS).  
3. IT IS NOT RECOMMENDED TO LOCATE ANCHOR BOLTS UNTIL TABLES AND BENCHES ARE IN PLACE. THIS VICTOR STANLEY, INC. PRODUCT MUST BE PERMANENTLY AFFIXED TO THE GROUND. CONSULT YOUR LOCAL CODES FOR REGULATIONS.  
4. ANCHOR BOLTS NOT PROVIDED BY VICTOR STANLEY, INC.  
5. FOR HIGH SALT ABUSIVE CLIMATES, HOT DIP GALVANIZING BEFORE POWDER COATING IS AVAILABLE. SEE WRITTEN SPECIFICATIONS FOR DETAILS.  
6. ALL SPECIFICATIONS ARE SUBJECT TO CHANGE. CONTACT MANUFACTURER FOR DETAILS.  
7. THIS PRODUCT IS SHIPPED PARTIALLY UNASSEMBLED.

1 PICNIC TABLE NOT TO SCALE

2 BENCH W/ BACK NOT TO SCALE

3 BACKLESS BENCH NOT TO SCALE

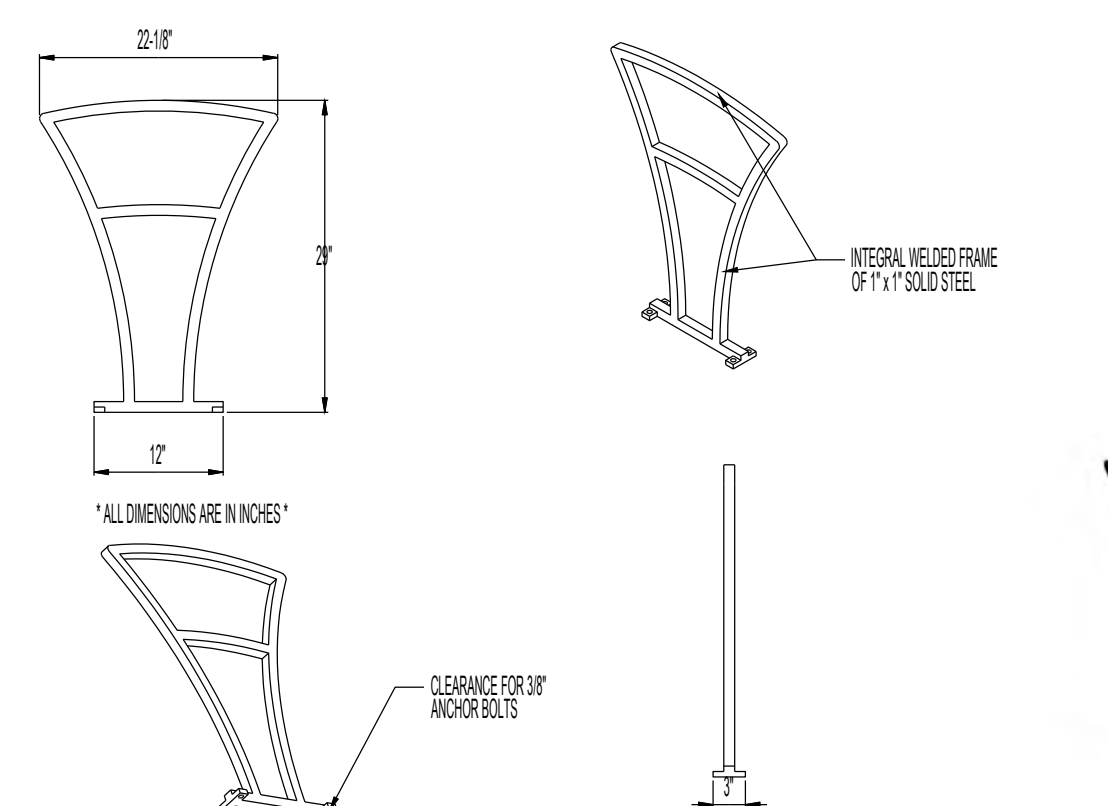
**PARKER COLORADO**  
Final Document  
Subject To Conditions In Approval Letter  
APPROVED DATE: 07/24/2023  
Planning Approval By: S. Nerger



**SPECIFICATIONS:**  
MODEL: STEELSITES COLLECTION TRASH CAN SDC-36  
QUANTITY: 2  
MATERIAL: RECYCLED SOLID STEEL BAR  
CAPACITY: 36 GAL.  
FEATURES: SIDE DEPOSIT, SIDE DOOR OPENING  
COLOR: POWDER COATED BRONZE  
MOUNTING: SURFACE  
OPTIONS: STANDARD CONVEX LID WITH RAISED BAND  
MANUFACTURER: VICTOR STANLEY, INC.  
AS SUPPLIED BY DOWNS & ASSOCIATES  
CONTACT: SYDNEY DOWNS  
P: 303-744-0488

**NOTES:**  
1. DRAWINGS NOT TO SCALE. DO NOT SCALE DRAWINGS.  
2. ALL FABRICATED METAL COMPONENTS ARE STEEL SHOTBLASTED, ETCHED, PHOSPHATIZED, PREHEATED, AND ELECTROSTATICALLY POWDER COATED WITH T.G.C. POLYESTER POWDER COATINGS. PRODUCTS ARE FULLY CLEANED AND PRETREATED, PREHEATED AND COATED WHILE HOT TO FILL CREVICES AND BUILD COATING FILM. COATED PARTS ARE THEN FULLY CURED TO COATING MANUFACTURER'S SPECIFICATIONS THE THICKNESS OF THE RESULTING FINISH AVERAGES 8-10 MILS (200-250 MICRONS).  
3. OIL IMPREGNATED TO BRONZE BUSHINGS AND STAINLESS STEEL PIVOT PINS FOR DOOR MOVEMENT. STANDARD 3/16" SOLID STEEL LATCH ASSEMBLY OR OPTIONAL PATENTED STAINLESS STEEL KEYS LOCK ASSEMBLY.  
4. THIS VICTOR STANLEY, INC. PRODUCT MUST BE PERMANENTLY AFFIXED TO THE GROUND. CONSULT YOUR LOCAL CODES FOR REGULATIONS.  
5. VICTOR STANLEY, INC. PLASTIC INNER LINERS ARE MOLDED ON TOOLING DESIGNED FOR AND OWNED BY VICTOR STANLEY, INC. THEY OFFER MAXIMUM CAPACITY AND STRENGTH WITH LIGHTWEIGHT CONSTRUCTION USING CRITICAL MOLDED RIBS, INTEGRAL HANDHOLDS, AND HIGH STRENGTH MATERIALS. THIS MINIMIZES HANDLING DIFFICULTY AND FACILITATES EASY EMPTYING AND STORAGE WHILE AFFORDING LONG SERVICE LIFE.  
6. ANCHOR BOLTS NOT PROVIDED BY VICTOR STANLEY, INC.  
7. FOR HIGH SALT ABUSIVE CLIMATES, HOT DIP GALVANIZING BEFORE POWDER COATING IS AVAILABLE. SEE WRITTEN SPECIFICATIONS FOR DETAILS.  
8. ALL SPECIFICATIONS ARE SUBJECT TO CHANGE. CONTACT MANUFACTURER FOR DETAILS.  
9. THIS PRODUCT IS SHIPPED FULLY UNASSEMBLED.

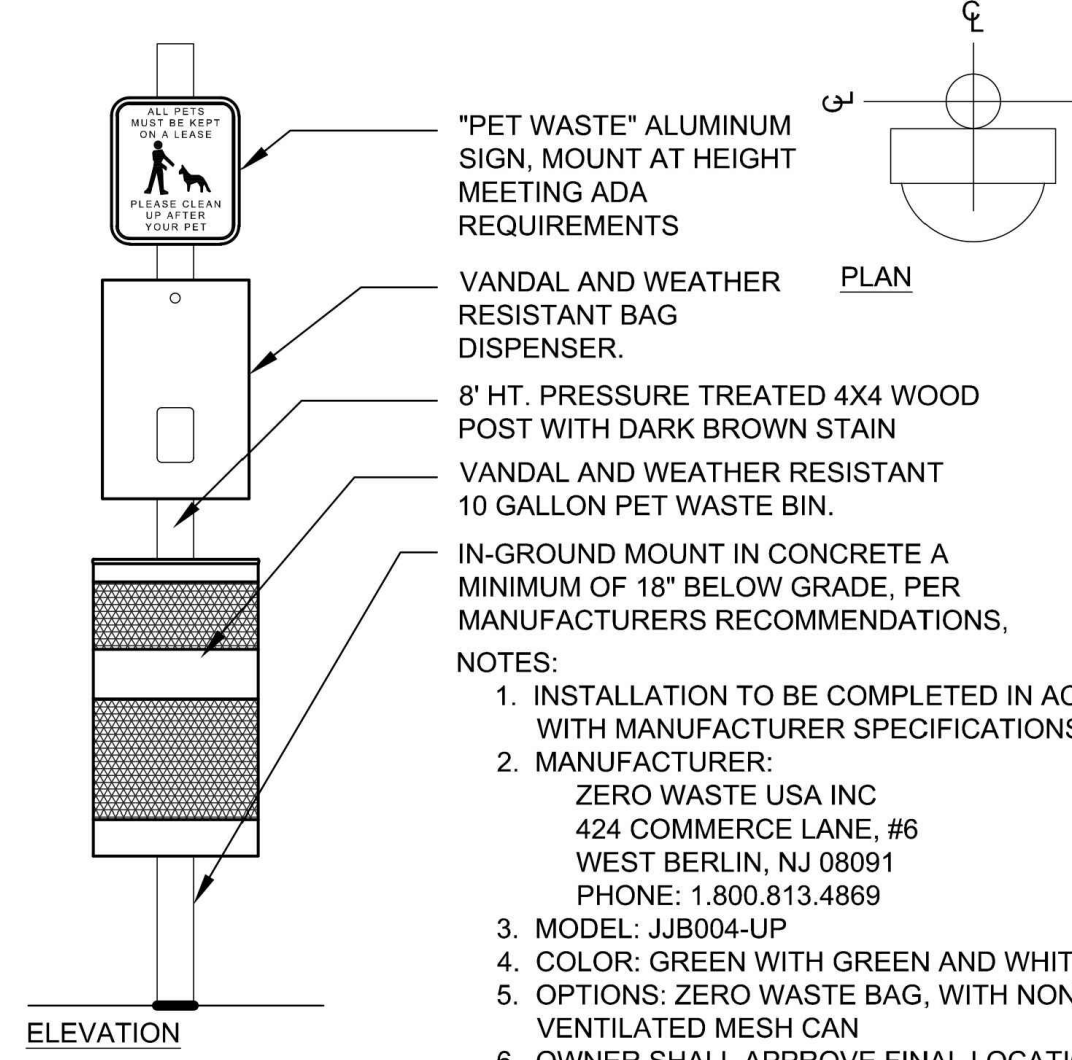
4 TRASH RECEPTACLE NOT TO SCALE



**SPECIFICATIONS:**  
MODEL: FREESIA BIKE RACK BFRE-161  
-SINGLE ARCH WITH CROSSBAR  
QUANTITY: 3  
COLOR: POWDER COATED BRONZE  
OPTIONS: SURFACE MOUNT  
MANUFACTURER: VICTOR STANLEY, INC.  
AS SUPPLIED BY DOWNS & ASSOCIATES  
CONTACT: SYDNEY DOWNS  
P: 303-744-0488

**NOTES:**  
1. DRAWINGS NOT TO SCALE. DO NOT SCALE DRAWINGS.  
2. ALL FABRICATED METAL COMPONENTS ARE STEEL SHOTBLASTED, ETCHED, PHOSPHATIZED, PREHEATED, AND ELECTROSTATICALLY POWDER COATED WITH T.G.C. POLYESTER POWDER COATINGS. PRODUCTS ARE FULLY CLEANED AND PRETREATED, PREHEATED AND COATED WHILE HOT TO FILL CREVICES AND BUILD COATING FILM. COATED PARTS ARE THEN FULLY CURED TO COATING MANUFACTURER'S SPECIFICATIONS THE THICKNESS OF THE RESULTING FINISH AVERAGES 8-10 MILS (200-250 MICRONS).  
3. IT IS NOT RECOMMENDED TO LOCATE ANCHOR BOLTS UNTIL TABLES AND BENCHES ARE IN PLACE. THIS VICTOR STANLEY, INC. PRODUCT MUST BE PERMANENTLY AFFIXED TO THE GROUND. CONSULT YOUR LOCAL CODES FOR REGULATIONS.  
4. ANCHOR BOLTS NOT PROVIDED BY VICTOR STANLEY, INC.  
5. FOR HIGH SALT ABUSIVE CLIMATES, HOT DIP GALVANIZING BEFORE POWDER COATING IS AVAILABLE. SEE WRITTEN SPECIFICATIONS FOR DETAILS.  
6. ALL SPECIFICATIONS ARE SUBJECT TO CHANGE. CONTACT MANUFACTURER FOR DETAILS.  
7. THIS PRODUCT IS SHIPPED FULLY UNASSEMBLED.

5 BIKE RACK NOT TO SCALE



**SPECIFICATIONS:**  
MODEL: JUB004-UP  
COLOR: GREEN WITH GREEN AND WHITE SIGN  
VENTILATED MESH CAN  
VENTNER SHALL APPROVE FINAL LOCATIONS OF PET STATION PRIOR TO INSTALLATION.

**NOTES:**  
1. INSTALLATION TO BE COMPLETED IN ACCORDANCE WITH MANUFACTURER SPECIFICATIONS.  
2. MANUFACTURER: ZERO WASTE USA INC 424 COMMERCE LANE, #6 WEST BERLIN, NJ 08091 PHONE: 1.800.813.4869  
3. MODEL: JUB004-UP  
4. COLOR: GREEN WITH GREEN AND WHITE SIGN  
5. OPTIONS: ZERO WASTE BAG, WITH NON-LOCKING VENTILATED MESH CAN  
6. VENTNER SHALL APPROVE FINAL LOCATIONS OF PET STATION PRIOR TO INSTALLATION.

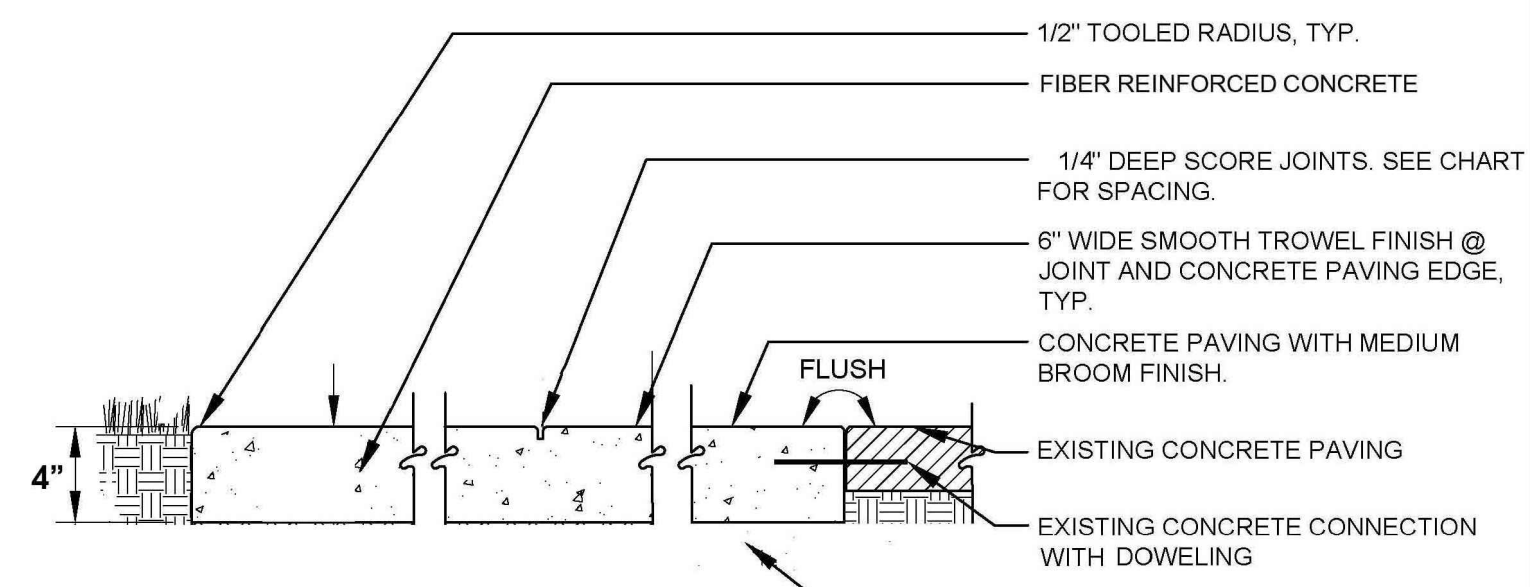
6 PET WASTE STATION NOT TO SCALE

Drawn by: JWI, BEM, GG  
Checked by: PCS STAFF  
Submittal Date: 04.18.2017  
Date: 12.15.2017  
Call before you dig. 3.2.2018  
4.13.2018  
10.18.2021  
6.26.2023

Sheet Name  
SITE & LANDSCAPE  
DETAILS

Sheet Number

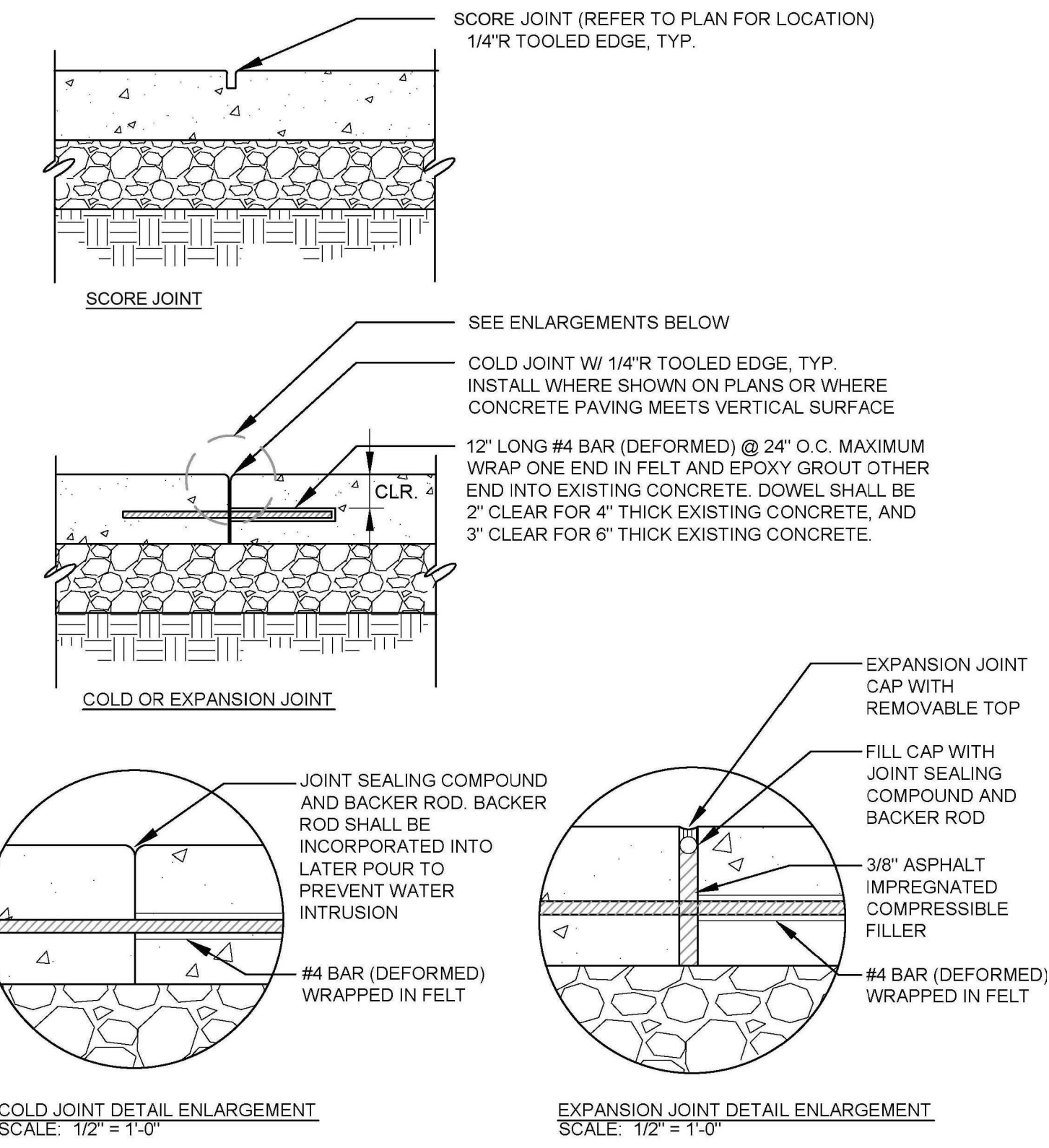
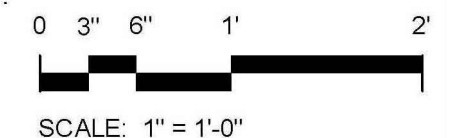
L2.2



PAVEMENT WIDTH	*JOINT SPACING
10'	10' OC
8'	8' OC
6'	6' OC
5'	10' OC
4'	8' OC

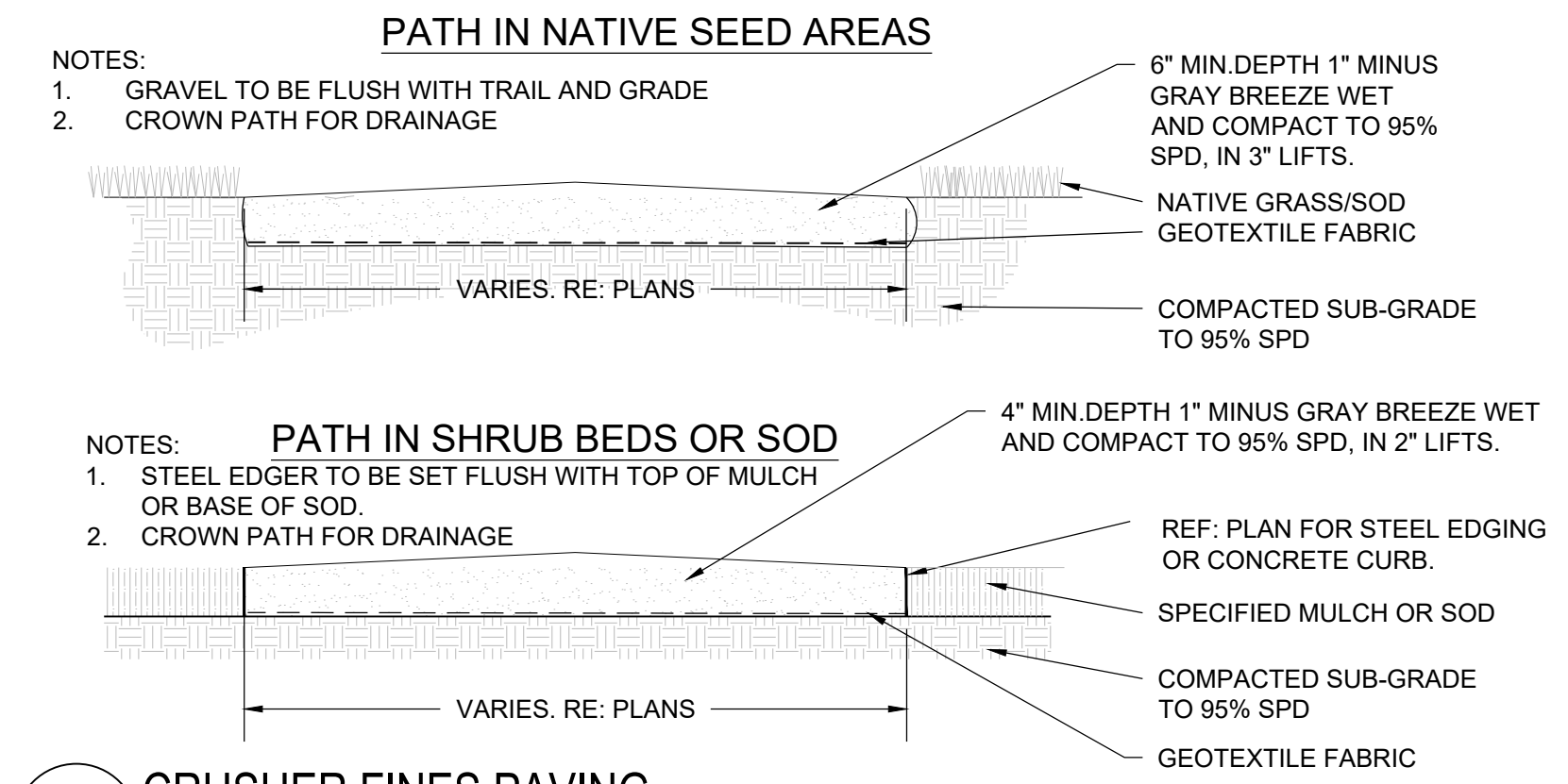
\*OR AS DEPICTED ON PLANS

- NOTES:
- MEDIUM BROOM FINISH PERPENDICULAR TO WALK DIRECTION UNLESS OTHERWISE SHOWN ON PLAN.
  - CROSS SLOPE SHALL BE 1.8% WITH A TOLERANCE OF +/-0.2%, AND NOT EXCEEDING 2% OR FALLING UNDER 1.5%, UNLESS OUTSIDE PATH OF TRAVEL.
  - SCORE JOINTS SHALL BE TOOLED 1/4" WIDE AND DEEP.
  - EXPANSION JOINTS MAY OCCUR AT THE JUNCTION BETWEEN FLAT AND VERTICAL CONCRETE SURFACES.



1 CONCRETE PAVING

NOT TO SCALE



2 CRUSHER FINES PAVING

NOT TO SCALE



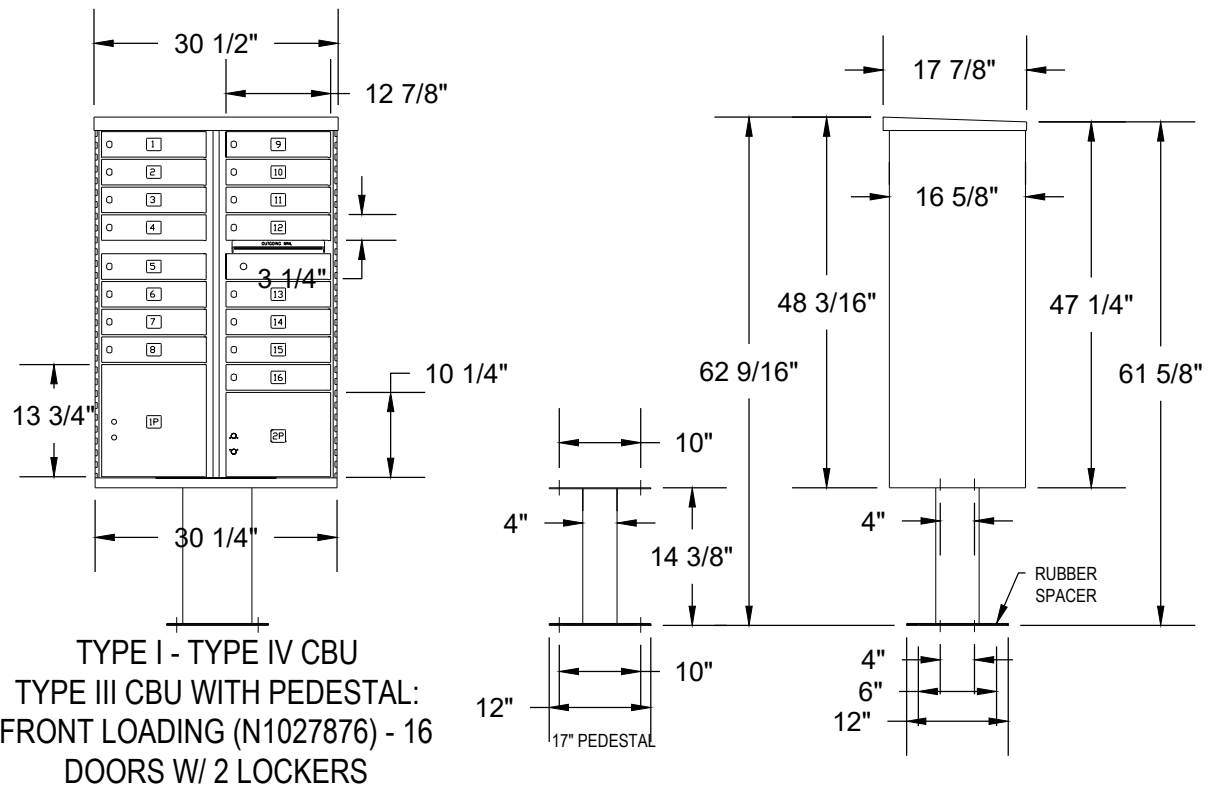
MANUFACTURER: BORGERT PRODUCTS, INC.  
MODEL: BULOVAR LINEAR SLAB  
DIMENSIONS: 3' X 16' X 4'  
CONTACT: BORGERT PRODUCTS - GLEN VAN HORN  
303-783-3864

- NOTES:
- INSTALLATION TO BE COMPLETED IN ACCORDANCE WITH SPECIFICATION BY FACTORY AUTHORIZED INSTALLER
  - PRODUCT TO BE BORGERT PRODUCTS BULOVAR PAVER SLAB OR APPROVED EQUAL
  - PAVER PATTERN TO BE RUNNING BOND

3 PAVER 'A'

NOT TO SCALE

- Notes:
- Installation to be completed in accordance with specifications by factory authorized installers.
  - Contractor to verify concrete pad dimension & construction specifications with USPS before constructing
  - Contractor to make submittals for mailbox cluster units for review & approval, with pricing info, prior to ordering clusterboxes.



POSTAL PRODUCTS UNLIMITED, INC  
500 W OKLAHOMA AVE  
MILWAUKEE, WI 53207  
TOLL FREE: 1-800-229-4500  
PHONE: (414) 290-1500  
FAX: (800) 570-0007  
www.mailproducts.com

16 Box Unit  
Qty: 12



Note:  
Final Mailbox Locations, Sizes and Specifications to be Coordinated and Approved by the U.S. Post Master.

Outdoor Pedestal Mailbox  
Units: 12 Box (F181570-12)  
16 Box (F181570-16)  
Weight: 12 Box = 138 lbs  
16 Box = 161 lbs  
Height: 62" Width: 28.5" Depth: 17.5"

Available from:  
U.S. Mail Supply  
1.800.571.0147  
www.usmailsupply.com

4 MAILBOX CLUSTER

NOT TO SCALE



MANUFACTURER: NATURAL STRUCTURES  
16'X16' SENTINEL MOUNTAIN SERIES SKI SHELTER

DESCRIPTION AND SPECIFICATIONS:

- FLAT SLOPED ROOF: 2/12 ROOF PITCH
- 6" X 6" PRESSURE TREATED DOUGLAS FIR WOOD POSTS, STAIN COLOR: BLURIDGE GRAY #906
- TGIC POWDER COATED STEEL BEAMS & PURLINS
- 2" X 6" PRESSURE TREATED FIR TONGUE & GROOVE ROOF DECK
- 2" X 12" PRESSURE TREATED FIR FASCIA
- 24 GAUGE STANDING SEAM ROOFING, COLOR: DARK BRONZE
- 30LB UNDERLAYMENT
- 35LB/PSF SNOW LOAD - 90MPH WIND LOAD
- EPOXY SET ZINC COATED ANCHORS AND ZINC COATED HARDWARE, COLOR: BLACK (50% GLOSS).

CONTACT: NATURAL STRUCTURES - CHAD COLTON  
P: 800-252-8475 EXT 108

NOTES:

- INSTALLATION PER MANUFACTURERS RECOMMENDATIONS

5 SHADE STRUCTURE

NOT TO SCALE



Final Document  
Subject To Conditions In Approval Letter  
APPROVED DATE: 07/24/2023  
Planning Approval By: S. Nergler

Drawn by:	JWI, BEM, GG
Checked by:	PCS STAFF
Submittal Date:	04.18.2017
Date:	12.15.2017
Know what's below. Call before you dig.	3.2.2018
	4.13.2018
	10.18.2021
	6.26.2023

Sheet Name  
SITE & LANDSCAPE DETAILS

Sheet Number

L2.3

# IRRIGATION SCHEDULE

SYMBOL	MANUFACTURER/MODEL/DESCRIPTION	PSI	GPM	RADIUS
	HUNTER PRO5-06-PR530-CV WITH TORO NOZZLE 8 SERIES TURF SPRAY, 30 PSI REGULATED 6.0" POP-UP. WITH FACTORY INSTALLED DRAIN CHECK VALVE. CO-MOLDED WIPER SEAL WITH UV RESISTANT MATERIAL. UTILIZE TORO PRECISION SERIES SPRAY NOZZLES.	30		
	HUNTER PRO5-06-PR530-CV WITH TORO NOZZLE 10 SERIES TURF SPRAY, 30 PSI REGULATED 6.0" POP-UP. WITH FACTORY INSTALLED DRAIN CHECK VALVE. CO-MOLDED WIPER SEAL WITH UV RESISTANT MATERIAL. UTILIZE TORO PRECISION SERIES SPRAY NOZZLES.	30		
	HUNTER PRO5-06-PR530-CV WITH TORO NOZZLE 12 SERIES TURF SPRAY, 30 PSI REGULATED 6.0" POP-UP. WITH FACTORY INSTALLED DRAIN CHECK VALVE. CO-MOLDED WIPER SEAL WITH UV RESISTANT MATERIAL. UTILIZE TORO PRECISION SERIES SPRAY NOZZLES.	30		
	HUNTER PRO5-06-PR530-CV WITH TORO NOZZLE 15 SERIES TURF SPRAY, 30 PSI REGULATED 6.0" POP-UP. WITH FACTORY INSTALLED DRAIN CHECK VALVE. CO-MOLDED WIPER SEAL WITH UV RESISTANT MATERIAL. UTILIZE TORO PRECISION SERIES SPRAY NOZZLES.	30		
	HUNTER PRO5-06-PR530-CV WITH TORO NOZZLE 4X STRIP SPRAY TURF SPRAY, 30 PSI REGULATED 6.0" POP-UP. WITH FACTORY INSTALLED DRAIN CHECK VALVE. CO-MOLDED WIPER SEAL WITH UV RESISTANT MATERIAL. UTILIZE TORO PRECISION SERIES SPRAY NOZZLES.	30		
	HUNTER MP1000 PRO5-06-PR540-CV TURF ROTATOR, 6" (1.5, 24 CM) POP-UP WITH CHECK VALVE, PRESSURE REGULATED TO 40 PSI (2.76 BAR), MP ROTATOR NOZZLE ON PR540 BODY. M=MAROON ADJ ARC 90 TO 210, L=LIGHT BLUE 210 TO 270 ARC, O=OLIVE 360 ARC.	40		
	HUNTER MP2000 PRO5-06-PR540-CV TURF ROTATOR, 6" (1.5, 24 CM) POP-UP WITH FACTORY INSTALLED CHECK VALVE, PRESSURE REGULATED TO 40 PSI (2.76 BAR), MP ROTATOR NOZZLE ON PR540 BODY. K=BLACK ADJ ARC 90-210, G=GREEN ADJ ARC 210-270, R=RED 360 ARC.	40		
	HUNTER MP3000 PRO5-06-PR540-CV TURF ROTATOR, 6" (1.5, 24 CM) POP-UP WITH FACTORY INSTALLED CHECK VALVE, PRESSURE REGULATED TO 40 PSI (2.76 BAR), MP ROTATOR NOZZLE ON PR540 BODY. B=BLUE ADJ ARC 90-210, Y=YELLOW ADJ ARC 210-270, A=GRAY 360 ARC.	40		
	HUNTER MP3500 PRO5-06-PR540-CV TURF ROTATOR, 6" POP-UP WITH FACTORY INSTALLED CHECK VALVE, PRESSURE REGULATED TO 40 PSI, MP ROTATOR NOZZLE ON PR540 BODY. LB=LIGHT BROWN ADJUSTABLE ARC, 90-210.	40		
	HUNTER MP8005R PRO5-06-PR540-CV TURF ROTATOR, 6" POP-UP WITH CHECK VALVE, PRESSURE REGULATED TO 40 PSI (2.76 BAR), MP ROTATOR NOZZLE ON PR540 BODY. ADJ=ORANGE AND GRAY (ARC 90-210), 360=LIME GREEN AND GRAY (ARC 360)	40		
	HUNTER MP CORNER PRO5-06-PR540-CV TURF ROTATOR, 6" (1.5, 24CM) POP-UP WITH FACTORY INSTALLED CHECK VALVE, PRESSURE REGULATED TO 40 PSI (2.76 BAR), MP ROTATOR NOZZLE ON PR540 BODY. T=TURQUOISE ADJ ARC 45-105.	40		
	HUNTER MP STRIP PRO5-06-PR540-CV TURF ROTATOR, 6" (1.5, 24 CM) POP-UP WITH FACTORY INSTALLED CHECK VALVE, PRESSURE REGULATED TO 40 PSI (2.76 BAR), MP ROTATOR NOZZLE ON PR540 BODY. LST=IVORY LEFT STRIP, SST=BROWN SIDE STRIP, RST=COPPER RIGHT STRIP.	40		
	HUNTER I-20-06-55 TURF ROTOR, 6.0" POP-UP. ADJUSTABLE AND FULL CIRCLE. STAINLESS STEEL RISER. DRAIN CHECK VALVE. STANDARD NOZZLE.	45	3.00	38'
	HUNTER I-20-06-55 TURF ROTOR, 6.0" POP-UP. ADJUSTABLE AND FULL CIRCLE. STAINLESS STEEL RISER. DRAIN CHECK VALVE. STANDARD NOZZLE.	45	5.00	42'

# IRRIGATION SCHEDULE

SYMBOL	MANUFACTURER/MODEL/DESCRIPTION
	DRIP VALVE ASSEMBLY NETAFIM LVCZ58010075-HF. PRE-ASSEMBLED CONTROL ZONE KIT, WITH 1" SERIES 80 CONTROL VALVE, 3/4" DISC FILTER, AND HIGH FLOW PRESSURE REGULATOR 4.5GPM TO 17.6GPM.
	DRIP FLUSH VALVE ASSEMBLY NETAFIM TLFV-1. AUTOMATIC FLUSH VALVE, WITH INSERT INLET
	REMOTE CONTROL VALVE ASSEMBLY HUNTER MODEL ICV 1", 1-1/2", 2", AND 3" PLASTIC ELECTRIC REMOTE CONTROL VALVES, GLOBE CONFIGURATION
	QUICK COUPLER VALVE ASSEMBLY HUNTER HQ-5RC. VALVE WITH YELLOW RUBBER COVER, RED BRASS AND STAINLESS STEEL WITH 1" NPT INLET, 1-PIECE BODY.
	ISOLATION GATE VALVE ASSEMBLY MATCO-NORCA 514TX: 1/2"-4" BRASS GATE VALVE, FULL PORT, WITH SOLID WEDGE. IPS. CROSS HANDLE. SAME SIZE AS MAINLINE PIPE.
	WEATHERMATIC SURGE DECODER. INSTALL PER MANUFACTURER'S RECOMMENDATIONS (APPROX. EVERY 600', AT THE CONTROLLER, AND AT THE END OF EACH MAINLINE RUN). INSTALL 6" COPPER CLAD GROUNDING ROD INSTALLED AT LEAST 6" FROM VALVE BOX, PERPENDICULAR TO 2-WIRE CONTROL CABLE
	IRRIGATION LATERAL LINE: PVC CLASS 200 SDR 21 ONLY LATERAL TRANSITION PIPE SIZES 1-1/4" AND ABOVE ARE INDICATED ON THE PLAN, WITH ALL OTHERS BEING 1" IN SIZE.
	DRIP IRRIGATION LATERAL LINE TO EMITTERS: UV RADIATION RESISTANT POLYETHYLENE PIPE, 3/4-INCH UNLESS OTHERWISE SPECIFIED.
	DRIP IRRIGATION LATERAL LINE TO EMITTERS IN NATIVE SEED: 3/4-INCH UV RADIATION RESISTANT POLYETHYLENE PIPE TO NETAFIM INLINE DRIP TUBING TREE RINGS (RE: DETAILS).
	IRRIGATION MAINLINE: PVC CLASS 200 SDR 21 PVC CLASS 200 IRRIGATION PIPE.
	PIPE SLEEVE: PVC CLASS 200 SDR 21
	Valve Callout # Valve Number # Valve Flow # Valve Size

# INSTALLATION GENERAL NOTES

- DESIGN ASSUMES A MINIMUM DYNAMIC PRESSURE FOR THE IRRIGATION SYSTEM (PER CITY OR ENGINEER) OF UP TO 90 PSI, AT A MINIMUM FLOW OF 70 GPM AT EACH 2-INCH POINT-OF-CONNECTION (POC). VERIFY PRESSURE AND FLOW ON SITE PRIOR TO CONSTRUCTION. CONTACT GENERAL CONTRACTOR OR OWNER'S REPRESENTATIVE IMMEDIATELY IF FLOW OR PRESSURE ARE LOWER THAN LISTED ABOVE. BOOSTER PUMP MAY BE REQUIRED.
  - NEITHER HISTORICAL NOR CIVIL SITE HYDRAULICS WERE AVAILABLE AT THE TIME OF DESIGN.
- CONTRACTOR SHALL BECOME FAMILIAR WITH THE SPECIFICATIONS AND INSTALLATION DETAILS FOR THIS AND RELATED WORK PRIOR TO CONSTRUCTION. FOR CLARIFICATION, CONTACT IRRIGATION DESIGNER PRIOR TO CONSTRUCTION.
  - UPON FINAL ACCEPTANCE, CONTRACTOR SHALL TURN OVER REQUIRED ADJUSTMENT KEYS INCLUDING BUT NOT LIMITED TO CONTROLLER ENCLOSURE AND BACKFLOW ENCLOSURE KEY, LOCKING VALVE BOX KEYS, QUICK COUPLER KEYS, GATE VALVE KEY, SPRINKLER HEAD AND NOZZLE ADJUSTMENT KEYS.
  - UPON FINAL ACCEPTANCE, CONTRACTOR SHALL TURN OVER SPARE PARTS PERTAINING TO INSTALLED SYSTEM: BACKFLOW WINTERIZATION INSERT, TWO OF EVERY HEAD AND NOZZLE (ROTOR NOZZLE TREE INCLUDED), ONE RCV DIAPHRAGM, ETC.
- COORDINATE UTILITY LOCATES OF UNDERGROUND UTILITIES PRIOR TO CONSTRUCTION ("811-CALL BEFORE YOU DIG").
- IF DISCREPANCIES ARE NOTED IN THE FIELD BETWEEN SITE CONDITIONS AND PROVIDED DESIGNS, CONTRACTOR SHALL NOTIFY OWNER'S REPRESENTATIVE OR GENERAL CONTRACTOR IMMEDIATELY. DO NOT PROCEED WITH THE INSTALLATION OF THE IRRIGATION SYSTEM IF SUCH DISCREPANCIES IN THE FIELD AFFECT THE PROVIDED DESIGN, DETAILS, OR SPECIFICATIONS.
- ALL IRRIGATION COMPONENTS (MAINLINE, WIRES, LATERAL LINES, ETC.) SHALL BE INSTALLED IN LANDSCAPED AREAS WHENEVER POSSIBLE, EVEN THOUGH SAID IRRIGATION COMPONENTS MAY BE SHOWN OUTSIDE PLANTING AREAS FOR CLARITY.
- AVOID CONFLICTS BETWEEN THE IRRIGATION SYSTEM, PLANTING MATERIALS, AND ARCHITECTURAL FEATURES WHENEVER POSSIBLE. COORDINATE POTENTIAL RELOCATION OF BOULDERS AND TREES IN TURF AREAS WITH LANDSCAPE ARCHITECT PRIOR TO SPRINKLER LAYOUT. IF LANDSCAPE MATERIAL CANNOT BE RELOCATED, ADDITIONAL SPRINKLERS MAY BE REQUIRED.
- CROSS FITTINGS ARE NOT ALLOWED, ONLY STANDARD TEES AND ELBOWS.
- CONTRACTOR SHALL INSTALL NOZZLES PER PLAN, UNLESS IRRIGATED AREA CHANGED IN SIZE OR PLANT MATERIAL TYPE CHANGES.

IF NOZZLE CHANGES ARE REQUIRED AND ARE SIGNIFICANT IN SIZE, CONTRACTOR SHALL CONTACT IRRIGATION DESIGNER FOR APPROVAL.

8. CONTRACTOR SHALL FIELD LOCATE ANY EXISTING SLEEVES ON SITE PRIOR TO CONSTRUCTION WITH THE AID OF THE GENERAL CONTRACTOR. MISSING SLEEVES SHALL BE REPORTED IMMEDIATELY. NEW SLEEVES SHOWN ON PLANS ARE REQUIRED FOR BOTH PIPING AND ELECTRICAL WIRING AT EACH HARDSCAPE CROSSING. COORDINATE INSTALLATION OF SLEEVING WITH OTHER TRADES. ANY PIPE OR WIRE WHICH PASSES BENEATH EXISTING HARDSCAPE WHERE SLEEVING WAS NOT INSTALLED WILL REQUIRE HORIZONTAL BORING BY THE IRRIGATION CONTRACTOR.

9. INSTALL ALL ELECTRICAL POWER TO THE IRRIGATION CONTROL SYSTEM IN ACCORDANCE WITH THE NATIONAL ELECTRIC CODE AND ALL APPLICABLE LOCAL ELECTRIC UTILITY CODES.

10. THE FOLLOWING SHOULD BE NOTED REGARDING PIPE SIZING: IF A SECTION OF UNSIZED PIPE IS LOCATED BETWEEN THE IDENTICALLY SIZED SECTIONS, THE UNSIZED PIPE IS THE SAME NOMINAL SIZE AS THE SIZED SECTIONS. THE UNSIZED PIPE SHOULD NOT BE CONFUSED WITH THE DEFAULT PIPE SIZE NOTED IN THE LEGEND.

10.1. MAINLINE PIPE SIZES MAY VARY THROUGHOUT PROJECT. EACH MAINLINE LEG IS SIZED TO ACCOMMODATE LARGEST VALVE ON THAT LEG. STATED SIZE IN LEGEND MAY NOT BE THE LARGEST SIZE ON PLANS.

11. TWO-WIRE CONTROL CABLE DOES NOT REQUIRE ADDITIONAL SPARE WIRES TO BE ROUTED WITH MAINLINE.

11.1. TWO-WIRE CONTROL SURGE ARRESTORS SHALL BE INSTALLED PER MANUFACTURER'S RECOMMENDATIONS.

11.2. FIRST SURGE DECODER SHALL BE PLACED AT CONTROLLER, THEN EVERY 600' (APPROX.) THEREAFTER.

11.3. INSTALL NEAR VALVE USING EITHER 6" GROUND ROD OR PLATE. INSTALL PER INDUSTRY STANDARDS.

11.4. DECODERS MUST BE PROGRAMMED AT THE CONTROLLER BEFORE WIRING TO VALVES.

12. TREES IN TURF ARE NOT IRRIGATED BY DRIP SYSTEM. DRIP LATERAL ROUTED NEAR TREES IN TURF ARE NOT TO RECEIVE DRIP IRRIGATION. TREES IN UNDISTURBED NATIVE SEEDED AREAS ARE IRRIGATED ON DRIP SYSTEM.

13. NO IRRIGATION EQUIPMENT, INCLUDING BUT NOT LIMITED TO, MAINLINE, VALVES, AND SPRINKLERS, SHALL BE INSTALLED WITHIN 3' OF NEW BUILDING FOUNDATION.

14. SPRINKLER ZONES CAN ONLY COVER AN ELEVATION RANGE OF 14', THUS THE SMALLER VALVE SIZES. ZONES CAN OPERATE SIMULTANEOUSLY WHERE APPLICABLE.

14.1. MAINLINE LOOPS ARE SIZED TO UTILIZE TAP SUPPLY OF 70 GPM.

14.2. DEAD END MAINLINE RUNS ARE SIZED TO ACCOMMODATE THE LARGEST VALVE ON THE RUN.

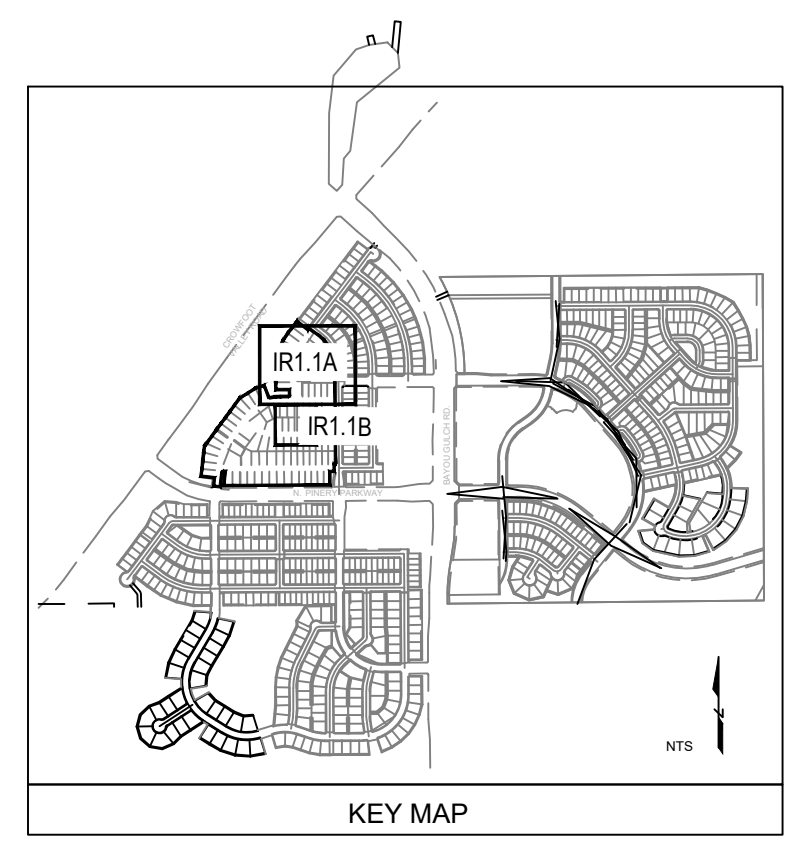
# REFERENCE NOTES SCHEDULE

SYMBOL	DESCRIPTION
	CONTRACTOR SHALL FIELD LOCATE EXISTING MAINLINE AND CONTROL WIRES STUB FROM ADJACENT FILING. MAKE MAINLINE AND WIRE CONNECTIONS AND ROUTE AS INDICATED EXISTING ISOLATION GATE VALVE FROM ADJACENT FILING SHOWN FOR REFERENCE.
	CONTRACTOR SHALL FIELD LOCATE EXISTING SPRINKLER OR DRIP LATERAL LINE FROM ADJACENT FILING. MAKE NEW LATERAL LINE CONNECTION AND ROUTE AS INDICATED

# EMITTER SCHEDULE

PLANT TYPE	EMITTER TYPE	GPH/OUTLET	NO. OF EMITTERS	TOTAL FLOW
GROUND COVER	SINGLE OUTLET	1 GPH	1	1 GPH
PERENNIALS	SINGLE OUTLET	1 GPH	1	1 GPH
1 GAL. SHRUB	SINGLE OUTLET	1 GPH	1	1 GPH
5 GAL. SHRUB	SINGLE OUTLET	1 GPH	2	2 GPH
TREE IN SHRUB BED	SINGLE OUTLET	1 GPH	4-8	4-8 GPH
TREE IN NATIVE SEED	INLINE DRIP*	0.6 GPH	N/A	N/A

- NOTES:
- MULTIPLE OUTLET EMITTERS CAN BE UTILIZED IN DENSELY PLANTED AREAS AND FOR TREES IN SHRUB BEDS.
  - REFER TO LEGEND AND DETAILS FOR INLINE DRIP TOTALS.

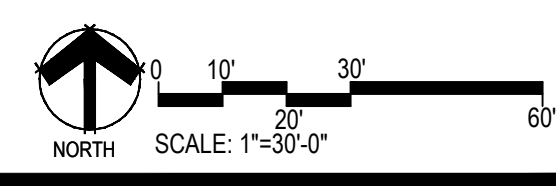


**PARKER**  
COLORADO

Final Document  
Subject To Conditions In Approval Letter

APPROVED DATE: 07/24/2023

Planning Approval By: S. Nergler



Prepared For  
ESX MANAGEMENT  
7353 SOUTH ALTON WAY  
CENTENNIAL, CO 80112

Irrigation Design  
**MPI Designs**  
P.O. BOX 345  
Windsor, CO 80550  
970.402.3047  
Michelle@MPIDesignsllc.com

Engineering  
**CVL**  
CONSULTANTS  
10333 E. DRY CREEK RD. #240  
ENGLEWOOD, CO 80112  
720-482-9526

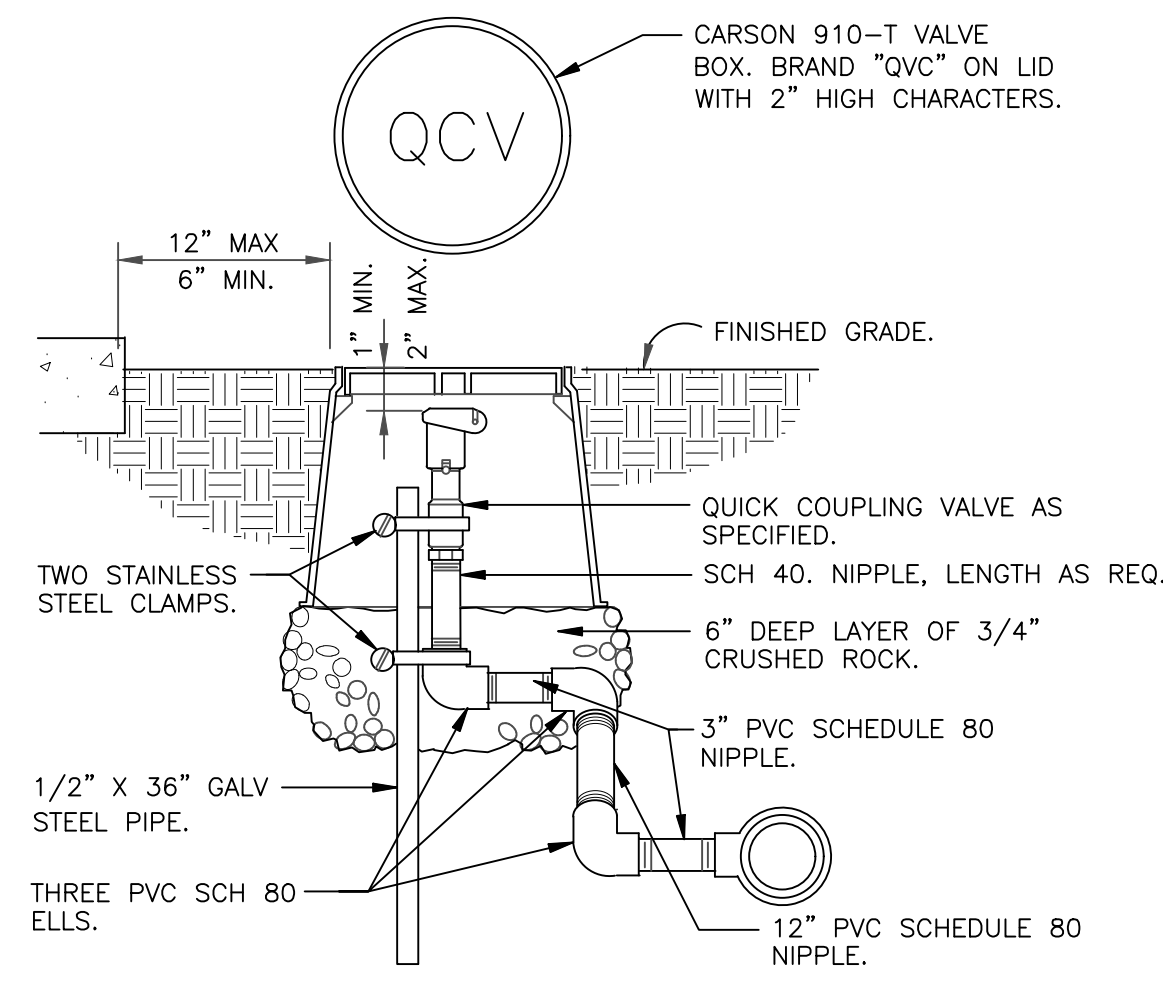
TRAILS AT CROWFOOT  
FILING NO. 3  
PARKER, COLORADO  
FINAL IRRIGATION PLANS

Drawn by:	DGP, MLP
Checked by:	TEAM
Submittal Date:	04-18-2017
	12-15-2017
Know what's below. Call before you dig.	04-13-2018
	05-24-18
	10-20-21

Sheet Name  
IRRIGATION LEGEND AND NOTES

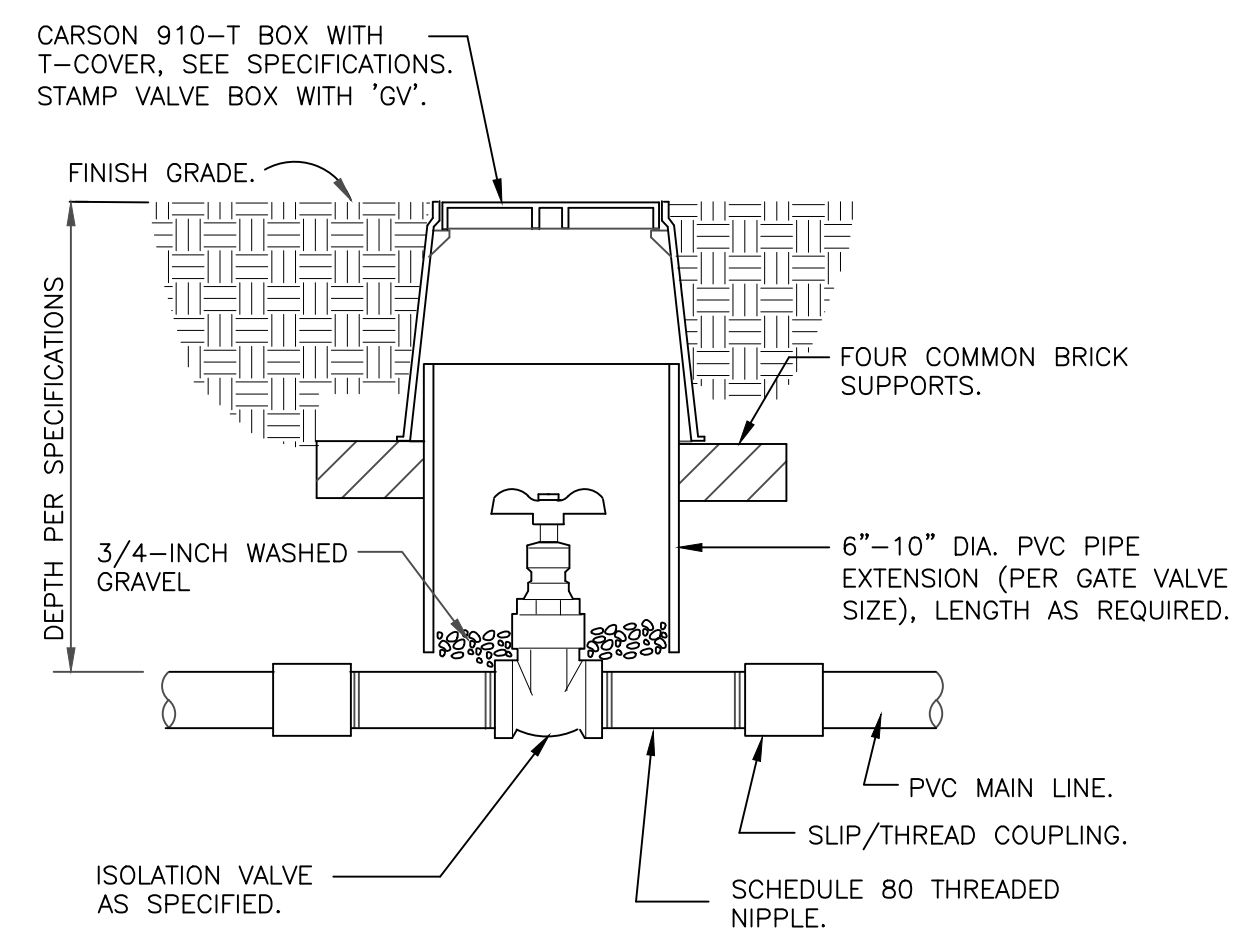
Sheet Number  
**IR1.0**





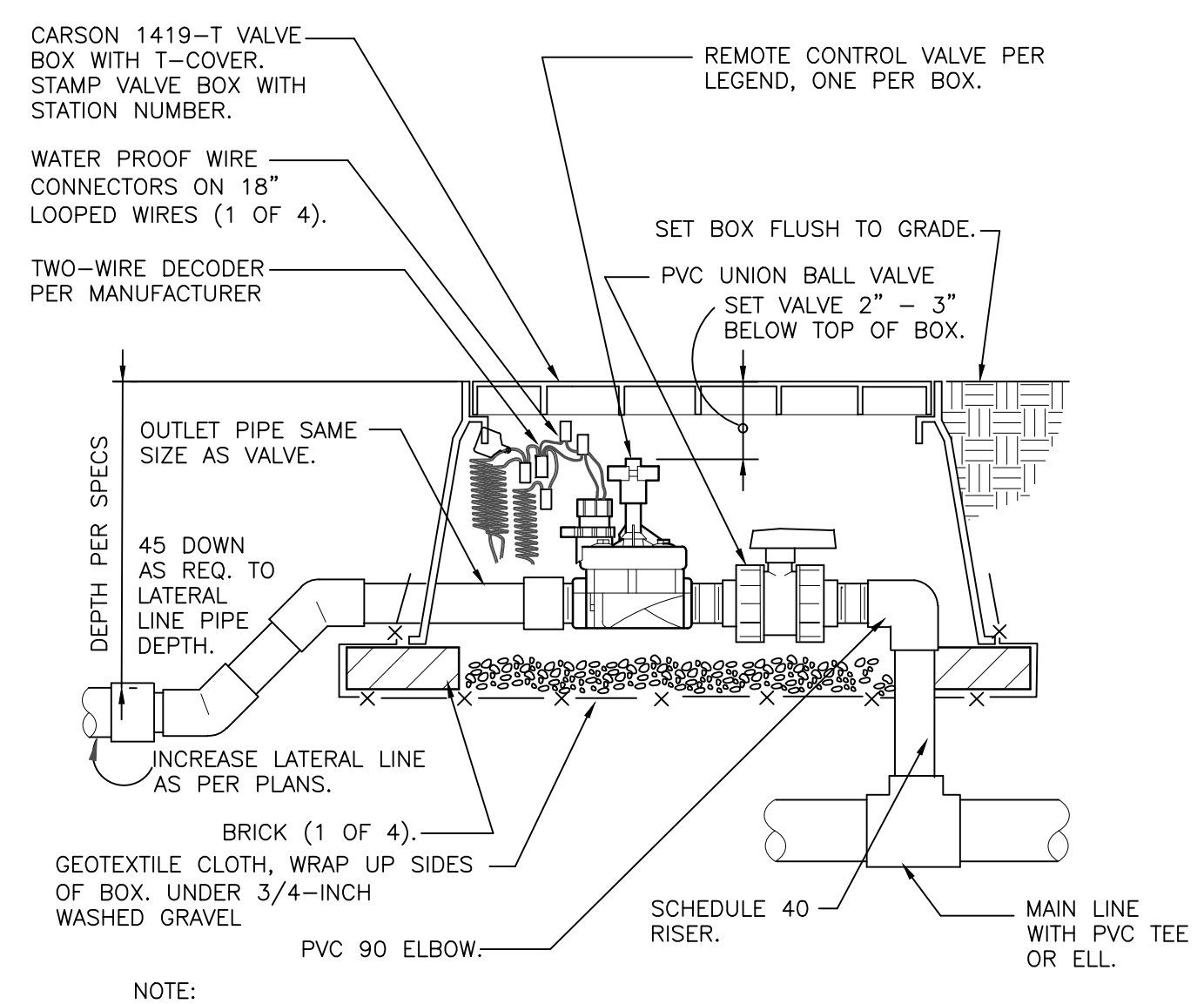
NOTE: PRE-FABRICATED SWING JOINT ASSEMBLY MAY BE UTILIZED.

**QUICK COUPLING VALVE IN BOX**  
1 1/2" = 1'-0" 328406.43-02



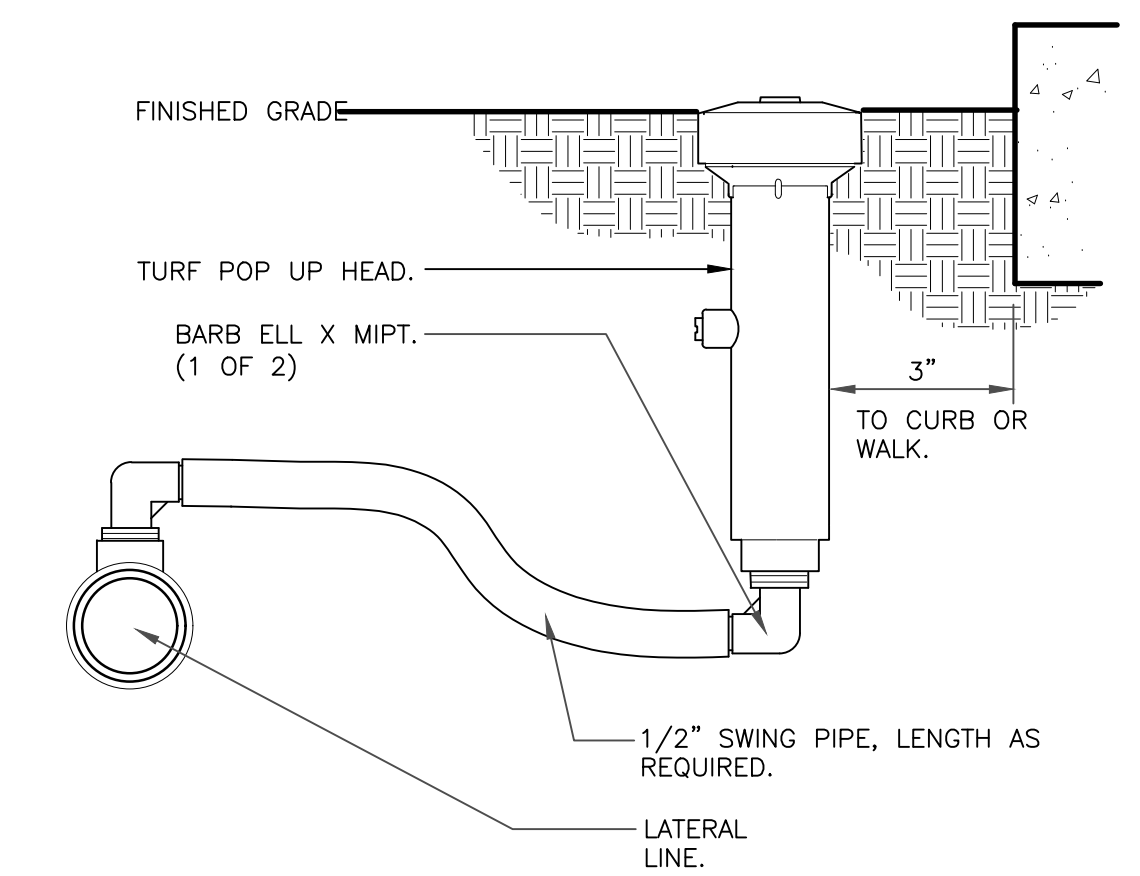
NOTE: VALVE SHALL HAVE CROSS HANDLE FOR EASE OF MAINTENANCE

**ISOLATION GATE VALVE**  
1 1/2" = 1'-0" 328406.33-01



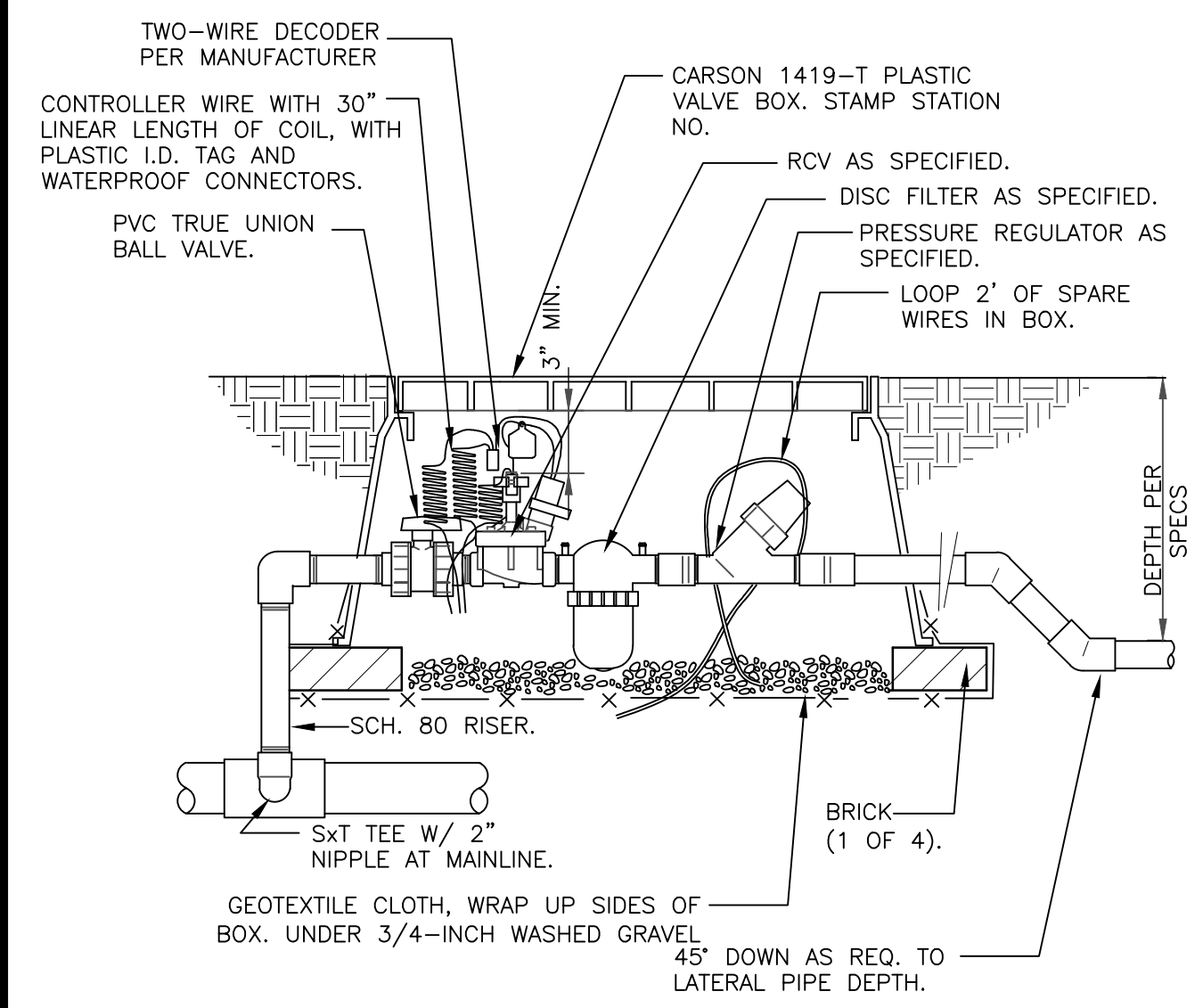
NOTE: LEAVE 2 FOOT LOOP OF 2-WIRE CABLE IN EACH BOX. ADD SURGE DECODER AT VALVE AS RECOMMENDED BY MANUFACTURER.

**REMOTE CONTROL TURF VALVE W/DECODER**  
1 1/2" = 1'-0" 32 8406.13-06

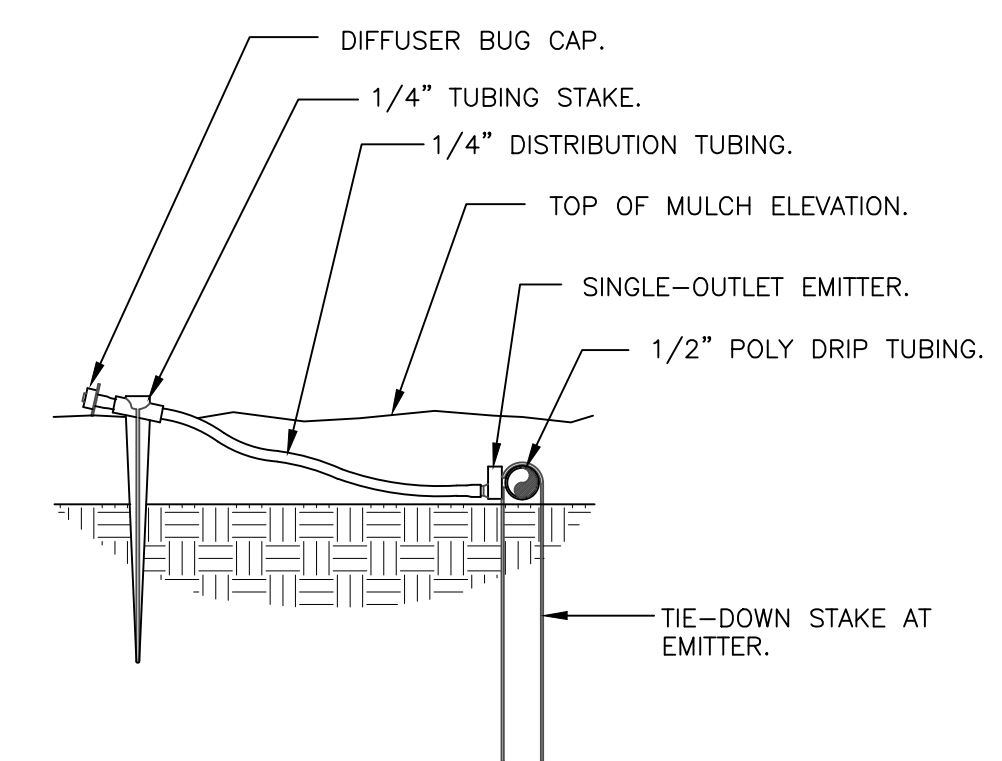


NOTES:  
1. 6-INCH POP-UP RISERS SHALL BE UTILIZED IN ALL TURF/NATIVE SEEDED AREAS.  
2. SIDE INLET SHALL NOT BE UTILIZED.

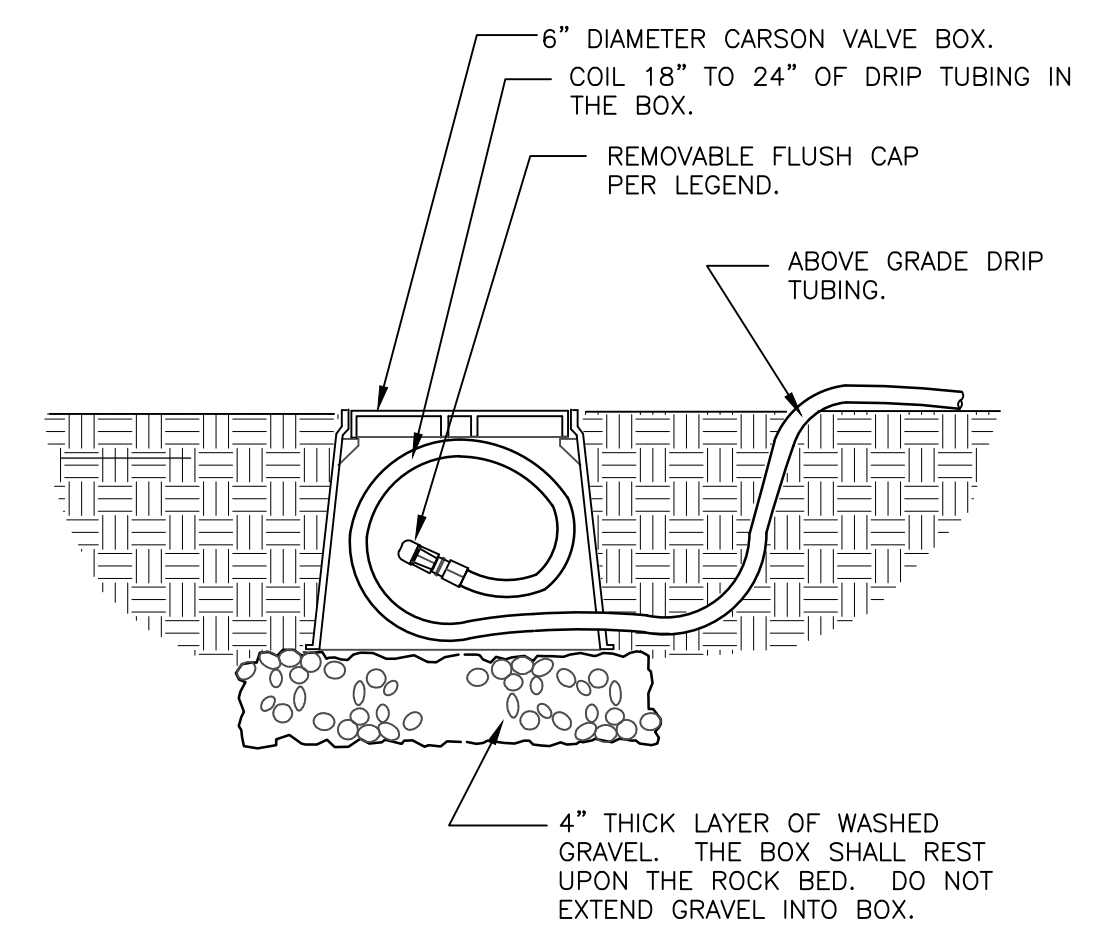
**6-INCH POP-UP SPRAY**  
3" = 1'-0" 328403.13-02



**1" DRIP VALVE W/DISC FILTER W/DECODER**  
1 1/2" = 1'-0" 328413.76-16

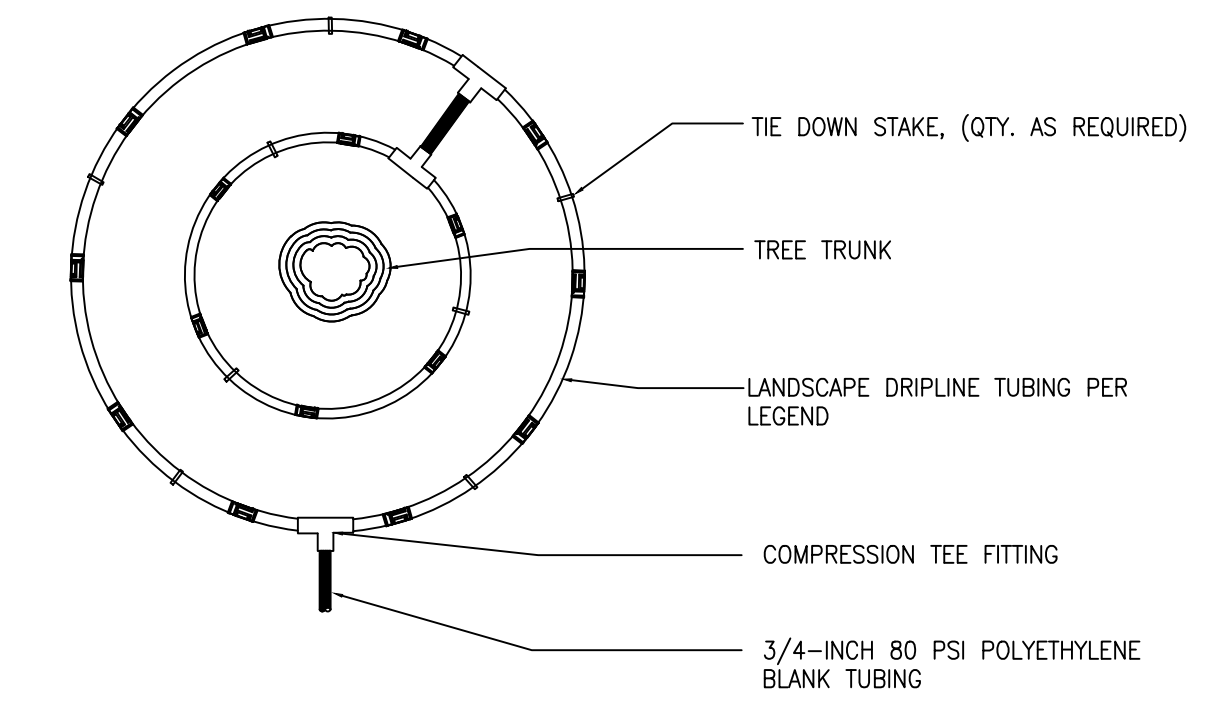


**DRIP EMITTER AT 1/4" TUBING**  
3" = 1'-0" 328413.13-03



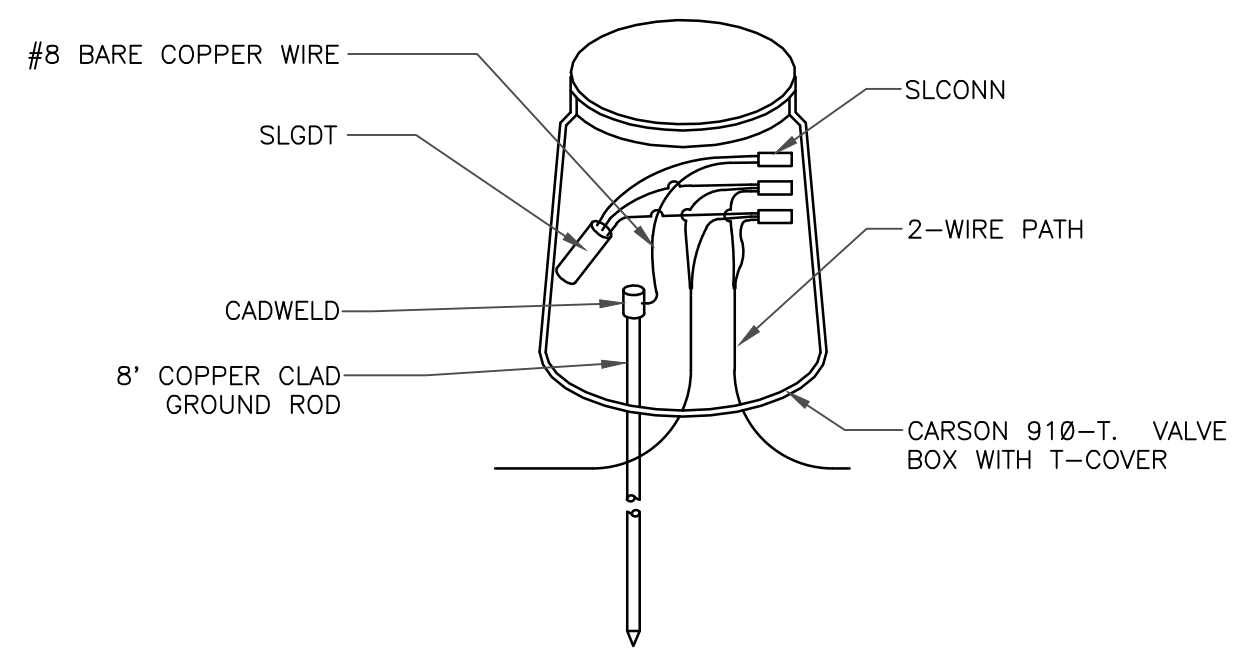
1. LOCATE FLUSH CAP ASSEMBLY AT THE END OF EACH DRIP LINE.  
2. ENSURE THAT THE COILED DRIP TUBING IS OF SUFFICIENT LENGTH TO COMPLETELY EXTEND OUT OF THE VALVE BOX WHEN FLUSHING.

**DRIP FLUSH CAP ASSEMBLY**  
1 1/2" = 1'-0" 328413.49-06



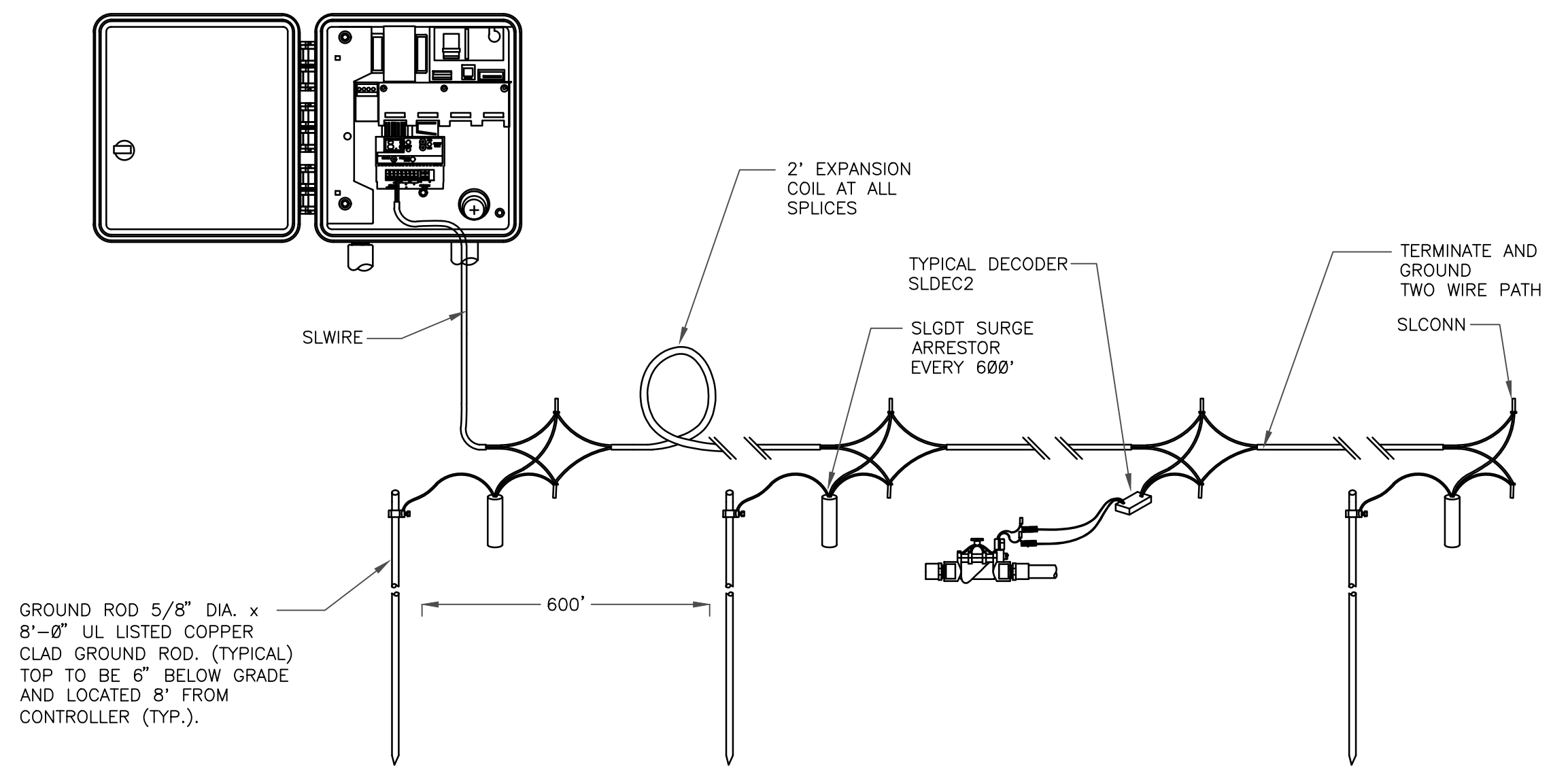
NOTES:  
1. CONTRACTOR SHALL INSTALL ALL DRIP TUBING IN NATIVE AREAS 2-3" BELOW GRADE IF MULCH IS NOT PRESENT. IF MULCH IS PRESENT, LAY TUBING ON FINISHED GRADE BELOW MULCH.  
2. DIAMETER OF DRIPLINE RINGS ARE DEPENDENT ON TREE CANOPY SIZE AND SHALL BE ADJUSTED IN THE FIELD PER CONTRACTOR. SUGGESTED PLACEMENT OF 3' DIAMETER AND 5' DIAMETER AROUND TREE.  
3. SHRUBS IN NATIVE SHALL UTILIZE A SINGLE TREE RING (UTILIZE INNER RING SHOWN ABOVE).  
4. TREE RINGS CAN BE UTILIZED ON TREES IN SHRUB BEDS.

**INLINE DRIP RING FOR PLANTS IN NATIVE**  
N.T.S. 328413.56-40



NOTES:  
1. ALL ELECTRICAL WORK MUST CONFORM TO LOCAL CODES. REFER TO PRODUCT LITERATURE FOR ADDITIONAL INSTALLATION REQUIREMENTS.  
2. INSTALL EVERY 600' AT CONTROLLER, AND END OF EVERY MAINLINE RUN. NOT SHOWN ON DESIGN PLANS.

**LIGHTNING ARRESTOR**  
N.T.S. 328409.16-21



**TYPICAL LIGHTNING ARRESTOR LAYOUT**  
N.T.S. 328409.16-20

Prepared For  
ESX MANAGEMENT  
7353 SOUTH ALTON WAY  
CENTENNIAL, CO 80112

Irrigation Design  
MPI Designs  
P.O. BOX 345  
Windsor, CO 80550  
970.402.3047  
Michelle@MPIDesignsllc.com

Engineering  
CVL CONSULTANTS  
10333 E. DRY CREEK RD. #240  
ENGLEWOOD, CO 80112  
720-482-9526

TRAILS AT CROWFOOT  
FILING NO. 3  
PARKER, COLORADO  
FINAL IRRIGATION PLANS

Drawn by:	DGP, MLP
Checked by:	TEAM
Submittal Date:	04.18.2017
Date:	12.15.2017
Know what's below. Call before you dig.	04.13.2018
811	05.24.18
	10.20.21

**PARKER COLORADO**

Final Document  
Subject To Conditions In Approval Letter

APPROVED DATE: 07/24/2023

Planning Approval By: S. Nergler

Sheet Name  
IRRIGATION DETAILS

Sheet Number  
IR2.1