

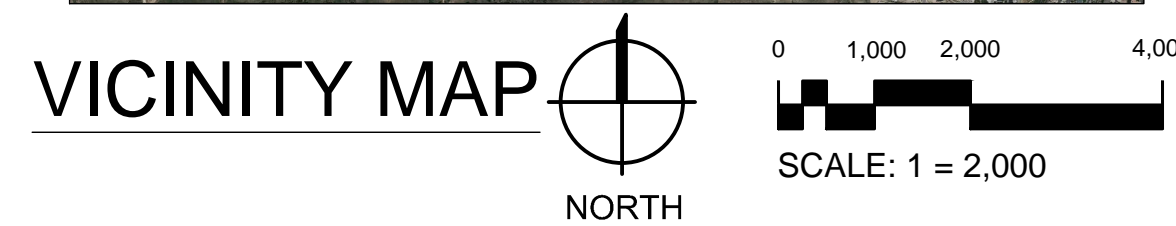


LES SCHWAB TIRE CENTER

LYING IN THE SOUTHEAST 1/4 OF SECTION 29, TOWNSHIP 6 SOUTH, RANGE 66 WEST OF THE 6TH P.M.
CITY OF PARKER, COUNTY OF DOUGLAS, STATE OF COLORADO

PWSD GENERAL NOTES

- ALL MATERIALS AND WORKMANSHIP SHALL BE IN CONFORMANCE WITH THE PWSD ENGINEERING STANDARDS AND SPECIFICATIONS, LATEST VERSION.
- THE CONTRACTOR SHALL CONTACT ALL APPROPRIATE UTILITY COMPANIES AND THE TOWN OF PARKER, DOUGLAS COUNTY AND OTHER NEIGHBORING CITIES AND TOWNS PRIOR TO THE BEGINNING OF ANY CONSTRUCTION. CONTRACTOR SHALL BE RESPONSIBLE FOR LOCATING ANY EXISTING UTILITY (INCLUDING DEPTHS) WHICH MAY CONFLICT WITH THE PROPOSED CONSTRUCTION. ALL EXISTING UTILITIES SHALL BE PROTECTED FROM DAMAGE BY THE CONTRACTOR. DAMAGED UTILITIES SHALL BE REPAIRED BY THE CONTRACTOR AT HIS OWN EXPENSE.
- ALL ITEMS SHOWN ON THE PLANS AS EXISTING ARE SHOWN IN APPROXIMATE LOCATIONS ONLY. THE ACTUAL LOCATIONS MAY VARY FROM THE PLANS, ESPECIALLY IN THE CASE OF UNDERGROUND UTILITIES. WHENEVER THE CONTRACTOR DISCOVERS A DISCREPANCY IN LOCATIONS CONTACT THE PWSD IMMEDIATELY.
- PWSD ENGINEER AND OTHER APPROVING AGENCIES ARE TO BE NOTIFIED 48 HOURS PRIOR TO CONSTRUCTION.
- THE CONTRACTOR SHALL OBTAIN, AT HIS EXPENSE, ALL PERMITS NECESSARY TO PERFORM THE PROPOSED WORK.
- ALL CONCRETE SHALL BE A MINIMUM OF CLASS A, 6 SACK, TYPE II, 3000-POUND COMPRESSION STRENGTH.
- THE DESIGN ENGINEER SHALL SUBMIT ONE (1) SET OF "AS-BUILT" DRAWINGS AND ELECTRONIC FILES TO THE DISTRICT ENGINEER FOR APPROVAL BY DISTRICT. AFTER APPROVAL HAS BEEN GRANTED BY THE DISTRICT ENGINEER, FULL SIZE PRINTS SHALL BE TRANSMITTED TO THE PWSD OFFICE.
- NO WORK SHALL BE BACKFILLED UNTIL THE CONSTRUCTION HAS BEEN INSPECTED AND APPROVED FOR BACKFILLING BY THE DISTRICT ENGINEER OR REPRESENTATIVE OF THE DISTRICT ENGINEER. ALL BACKFILL MATERIAL SHALL BE COMPACTED TO 95% STANDARD PROCTOR DENSITY. COMPACTION TESTS MUST BE SUBMITTED TO DISTRICT ENGINEER PRIOR TO PROBATIONARY ACCEPTANCE.
- TRENCHES SHALL BE EXCAVATED AND THE PIPE EXPOSED FOR THE INSPECTION AT ANY LOCATION ON THE PROJECT IF SO ORDERED BY THE INSPECTOR.
- THE CONTRACTOR WILL BE HELD RESPONSIBLE FOR THE PROPER FUNCTIONING OF LINES (WATER AND SEWER) FOR UP TO TWO (2) YEARS FROM THE DATE OF PROBATIONARY ACCEPTANCE OF THE LINES BY THE DISTRICT. ANY MALFUNCTION DURING THIS PERIOD OF GUARANTEE SHALL BE REMEDIED BY THE CONTRACTOR TO THE SATISFACTION OF THE DISTRICT ENGINEER AT NO EXPENSE TO THE DISTRICT.
- SURFACE GRADES ARE TO BE WITHIN PLUS OR MINUS ONE FOOT OF FINISHED GRADE AND VERIFICATION OF COMPACTION RESULTS OBTAINED PRIOR TO THE INSTALLATION OF WATER AND SEWER LINES. RESULTS MUST BE SUBMITTED TO THE DISTRICT ENGINEER.
- ALL SERVICES WILL BE PERMANENTLY MARKED ON CURB FACE AS FOLLOWS:
"X" FOR SANITARY SERVICE SEWERS
"V" FOR WATER SERVICES
- NO TREES ALLOWED IN EASEMENTS OR WITHIN 8' OF WATER OR SANITARY SEWER MAINS IN RIGHT OF WAY.
- THE CONTRACTOR SHALL HAVE IN HIS POSSESSION AT ALL TIMES ONE (1) SIGNED COPY OF THE PLANS WHICH HAVE BEEN APPROVED BY THE PWSD AND THE DISTRICT ENGINEER AND ONE (1) COPY OF THE LATEST PWSD SPECIFICATION MANUAL.



SHEET LIST

C301	COVER SHEET
C302	GENERAL NOTES & LEGEND
C303	OVERALL UTILITY PLAN
C304	NORTH WATER PLAN & PROFILE
C305	SOUTH WATER PLAN & PROFILE

DEVELOPER/OWNER

OWNER/DEVELOPER
SFP-E, LLC
GEORGE BUNTING
PO BOX 5350
20900 COOLEY RD.
BEND, OR 97701

CONSULTANT TEAM

CIVIL ENGINEER
CUSHING TERRELL
MICHAEL WHITE, PE
303 E 17TH AVE. STE 105
DENVER, CO 80203
(303) 653-6004

JURISDICTIONAL

PARKER COMMUNITY DEVELOPMENT
20120 MAIN STREET,
PARKER, COLORADO 80138
(303) 841-2332

TOWN OF PARKER

SANITARY SEWER
PARKER WATER & SANITATION DISTRICT
18100 E WOODMAN DR,
PARKER, CO 80134
(303) 841-4627

WATER
PARKER WATER & SANITATION DISTRICT
18100 E WOODMAN DR,
PARKER, CO 80134
(303) 841-4627

FIRE PROTECTION
SOUTH METRO FIRE DISTRICT
9195 E MINERAL AVE,
CENTENNIAL, CO
(720) 989-2000

WATER MATERIALS LIST

DESCRIPTION	QUANTITY	UNIT
FIRE HYDRANT ASSEMBLY (INCL. 8"X6" TEE, GATE VALVE, VALVE BOX, DI PIPE, RISER, AND HYDRANT)	2	EA
1.5" SERVICE ASSEMBLY (INCL. CORP STOP, CURB STOP, VALVE BOX, METER PIT, METER, AND PVC PIPE)	1	EA
FIRE DEPARTMENT BUILDING CONNECTION ASSEMBLY	1	EA
8" DUCTILE IRON WATER MAIN	506	LF

PROJECT BENCHMARK

DOUGLAS COUNTY GIS BENCHMARK 1074010, STAMPED "1.074010" LOCATED ON THE WEST SIDE OF DOUBLE ANGLE ROAD, NEAR THE SOUTH ENTRANCE TO THE PARKING LOT AT 9345 DOUBLE ANGLE ROAD.
PUBLISHED NAVD 1989 ELEVATION=6028.60 FEET

PRESSURE ZONE NOTE

THE PROPOSED WATER SYSTEM IS LOCATED IN THE PARKER WATER AND SANITARY DISTRICT ZONE 2.

SIGNATURES

THE DISTRICT INSPECTOR MUST BE NOTIFIED AT LEAST 48 HOURS PRIOR TO START OF CONSTRUCTION. CALL PARKER WATER AND SANITATION DISTRICT AT 303-841-4627. THE DISTRICT WILL PROVIDE PERIODIC INSPECTIONS OF THE WORK. 24 HOUR NOTICE TO THE INSPECTOR IS REQUIRED FOR SCHEDULING INSPECTIONS. ANY WORK ACCOMPLISHED WITHOUT THE APPROVAL OF THE INSPECTOR WILL BE SUBJECT TO REJECTION.

REVIEWED FOR CONFORMANCE TO PARKER WATER AND SANITATION DISTRICT STANDARDS.
BY: _____
(DISTRICT REPRESENTATIVE)

DATE: _____

APPROVED FOR CONSTRUCTION:
PARKER WATER AND SANITATION DISTRICT
BY: _____
(DISTRICT ENGINEER)

DATE: _____

ALL FIRE HYDRANTS SHALL BE INSTALLED ACCORDING TO DISTRICT STANDARDS. THE NUMBER AND LOCATIONS OF THE FIRE HYDRANTS AS SHOWN ON THE OVERALL UTILITY PLAN ARE CORRECT AS SPECIFIED BY THE SOUTH METRO FIRE PROTECTION DISTRICT

(SIGNATURE OF FIRE CHIEF OR DESIGNATED REPRESENTATIVE)

DATE SIGNED _____

PWSD WATER SYSTEM NOTES

- ALL MATERIALS AND WORKMANSHIP SHALL BE IN CONFORMANCE WITH THE PWSD ENGINEERING STANDARDS AND SPECIFICATIONS, LATEST REVISION.
- ALL WATER MAINS SHALL BE PER PWSD MATERIALS SPECIFICATIONS. ALL MATERIALS IN CONTACT WITH POTABLE WATER SHALL BE SUITABLE FOR CHLORINATED AND CHLORAMINATED WATER.
- ALL BENDS, PLUGS, REDUCERS, AND FIRE HYDRANTS TO BE RODDED OR MEGA-LUGGED. ALL FITTINGS SHALL BE WRAPPED PER PWSD MATERIALS SPECIFICATIONS.
- THERE SHALL BE A MINIMUM COVER OF 4.5 FEET OVER ALL WATER MAINS.
- FIRE HYDRANTS SHALL CONFORM TO AWWA C-502 "DRY BARREL FIRE HYDRANTS" PIPE HYDRANT ASSEMBLIES PER PWSD SPECIFICATIONS.
- ALL BENDS, TEES, FIRE HYDRANTS, BLOW-OFFS, AND PLUGS AT DEAD-END MAINS SHALL BE PROTECTED FROM THRUST WITH CONCRETE THRUST BLOCKS
- PRECAUTIONS SHALL BE TAKEN TO PROTECT THE INTERIOR OF PIPES, FITTINGS, AND VALVES AGAINST CONTAMINATION. ALL OPENINGS IN THE PIPELINE SHALL BE CLOSED WITH WATERTIGHT PLUGS WHEN PIPE LAYING IS STOPPED AT THE CLOSE OF THE DAY'S WORK OR FOR OTHER REASONS, SUCH AS REST BREAKS OR MEAL PERIODS.
- VALVES IN STREETS ARE TO BE LOCATED AT PROPERTY LINE EXTENSIONS EXCEPT FOR TAPPING TEES; WHERE AN ADDITIONAL VALVE SHALL BE PLACED ON THE TAPPING TEE. OTHER LOCATIONS SHOWN ON THE PLANS.
- WHEN NECESSARY TO LOWER OR RAISE WATER LINES AT STORM DRAINS AND OTHER UTILITY CROSSING, A MINIMUM CLEARANCE OF 1.5 FEET SHALL BE MAINTAINED BETWEEN OUTSIDE OF PIPES.
- THE CONTRACTOR SHALL NOTIFY THE PWSD AT LEAST 48 HOURS PRIOR TO ANY CONSTRUCTION. IF WORK IS SUSPENDED FOR ANY PERIOD OF TIME AFTER INITIAL START-UP, THE CONTRACTOR MUST NOTIFY THE DISTRICT ENGINEER 48 HOURS PRIOR TO RE-START.
- PIPE BEDDING SHALL BE A CLEAN, WELL-GRADED SAND OR SQUEEGEE SAND IN ACCORDANCE WITH PWSD STANDARDS AND SPECIFICATIONS, LATEST REVISION.
- THE CONTRACTOR SHALL NOTIFY THE PUBLIC UTILITY COMPANIES AND DETERMINE THE LOCATION OF ALL EXISTING UNDERGROUND UTILITIES PRIOR TO PROCEEDING WITH THE EXCAVATION. ALL WORK PERFORMED IN THE AREA OF THE PUBLIC UTILITIES SHALL BE PERFORMED ACCORDING TO THE REQUIREMENTS OF THESE AGENCIES.
- COMPACTION OF ALL TRENCHES MUST BE ATTAINED IN ACCORDANCE WITH THE SOILS REPORTS AND COMPACTION TEST RESULTS SUBMITTED TO THE DISTRICT ENGINEER PRIOR TO PROBATIONARY ACCEPTANCE.
- AT LEAST FIVE (5) DAYS PRIOR TO THE START OF CONSTRUCTION, A PRE-CONSTRUCTION MEETING WILL BE HELD AT THE OFFICE OF THE DISTRICT ENGINEER AND ATTENDED BY THE CONTRACTOR, DESIGN ENGINEER, AND REPRESENTATIVE OF OTHER APPROVING AGENCIES.
- CHLORINATION AND FLUSHING: ALL WATER MAINS SHALL BE INSTALLED AND CHLORINATED PER PWSD SPECIFICATIONS. CHLORINATION OF FINISHED PIPELINE COMPLETED BEFORE HYDROSTATIC TESTING.
- HYDROSTATIC TESTING: ALL WATER MAINS SHALL BE TESTED PER THE REQUIREMENTS OF THE PWSD SPECIFICATIONS UP TO MINIMUM OF 150 PSI IN THE PRESENCE OF A PWSD INSPECTOR/ENGINEER.

FOR BURIED UTILITY INFORMATION
THREE (3) BUSINESS DAYS
BEFORE YOU DIG
CALL 811
(or 1-800-922-1987)
**UTILITY NOTIFICATION
CENTER OF COLORADO (UNCC)**
www.co811.org



LEGEND

EXISTING	PROPOSED	
		WATER MAIN
		FIRE SERVICE
		DOMESTIC WATER SERVICE
		STORM DRAIN
		SANITARY SEWER
		BURIED POWER
		BURIED GAS
		BUILDING
		VERTICAL CURB
		CURB AND GUTTER
		CURB AND GUTTER - CATCH
		PROPERTY LINE - SUBJECT
		PROPERTY LINE - ADJACENT
		EASEMENT
		FIRE HYDRANT/ CONTROL POINT HYDRANT
		WATER VALVE
		STORM DRAIN INLET STRUCTURE
		SANITARY SEWER MANHOLE
		SANITARY SEWER CLEANOUT
		LIGHT POLE
		TRANSFORMER
		BOLLARD (OR AS NOTED)

GENERAL NOTES

- ALL WORK, MATERIALS AND DETAILS PERTAINING TO CONSTRUCTION SHALL BE IN COMPLETE ACCORDANCE WITH THE TOWN OF PARKER COLORADO ROADWAY DESIGN AND CONSTRUCTION CRITERIA MANUAL, PROJECT SPECIFICATIONS, AND ALL OTHER GOVERNING AGENCIES' STANDARDS. REFER TO THE PROJECT SPECIFICATIONS FOR COMPLETE WORK COVERAGE.
- CONTRACTOR SHALL BE RESPONSIBLE FOR STORM WATER QUALITY DURING CONSTRUCTION. CONTRACTOR SHALL OBTAIN AND COMPLY WITH ALL CURRENT REQUIREMENTS OF THE NATIONAL POLLUTION DISCHARGE ELIMINATION SYSTEM (NPDES), AND LOCAL MS4 REQUIREMENTS WHERE APPLICABLE. THE CONTRACTOR IS RESPONSIBLE FOR THE PREPARATION AND MAINTENANCE OF A STORMWATER POLLUTION PREVENTION PLAN (SWPPP) THROUGHOUT THE DURATION OF THE PROJECT.
- THE CONTRACTOR SHALL PROTECT ADJACENT PROPERTIES, PUBLIC AND PRIVATE, AT ALL TIMES DURING CONSTRUCTION.
- THE CONTRACTOR SHALL CONTROL DUST IN ACCORDANCE WITH REGULATIONS OF LOCAL AIR POLLUTION CONTROL AUTHORITY.
- CONTRACTOR TO PROTECT ALL EXISTING UTILITIES, SIGNS AND EXISTING STRUCTURES. THE CONTRACTOR IS RESPONSIBLE TO REPAIR BACK TO ORIGINAL OR BETTER CONDITION IF DAMAGE HAS OCCURRED DURING CONSTRUCTION.
- CONTRACTOR SHALL REVIEW EXISTING CONDITIONS AND COORDINATE WITH OWNER, TOWN OF PARKER AND ENGINEER / ARCHITECT PRIOR TO DEMOLITION ACTIVITIES.
- TRAFFIC, BOTH VEHICULAR AND PEDESTRIAN SHALL BE PROTECTED BY EFFECTIVE BARRICADES AND SIGNS IN ACCORDANCE WITH MUTCD GUIDANCE. EFFECTIVE LIGHTING OF OBSTRUCTIONS SHALL BE PROVIDED AT NIGHT.
- OWNER WILL SECURE ALL NECESSARY UTILITY PERMITS REQUIRED FOR THE COMPLETION OF THE PROJECT. CONTRACTOR SHALL PERFORM ALL WORK IN STRICT ACCORDANCE WITH PERMIT REQUIREMENTS.
- UNLESS OTHERWISE INDICATED, ALL CONSTRUCTION STAKING SHALL BE PERFORMED UNDER THE RESPONSIBLE CHARGE OF A COLORADO LICENSED LAND SURVEYOR.
- THE CONTRACTOR SHALL MAINTAIN ONE COMPLETE SET OF APPROVED DRAWINGS ON THE CONSTRUCTION SITE AT ALL TIMES. ANY APPROVED DEVIATIONS IN CONSTRUCTION FROM THE APPROVED DRAWINGS SHALL BE NOTED ON THIS SET. THE LOCATION AND DEPTH OF ALL UTILITIES ENCOUNTERED SHALL BE RECORDED AND KEPT UP TO DATE AT ALL TIMES AND AVAILABLE FOR INSPECTION BY THE OWNER'S REPRESENTATIVE UPON REQUEST. FAILURE TO COMPLY MAY RESULT IN DELAY IN PAYMENT AND/OR FINAL ACCEPTANCE OF THE PROJECT.
- UPON COMPLETION OF CONSTRUCTION, THE CONTRACTOR SHALL SUBMIT A CLEAN SET OF FIELD DRAWINGS CONTAINING ALL AS-BUILT INFORMATION TO THE ENGINEER.
- IF WITHIN TWO YEARS OF THE FINAL ACCEPTANCE BY THE OWNER, ANY WORK IS FOUND TO BE DEFECTIVE OR NOT IN ACCORDANCE WITH THE CONTRACT DOCUMENTS AND/OR DRAWINGS, AND UPON WRITTEN NOTICE FROM THE ENGINEER OR OWNER, THE CONTRACTOR SHALL CORRECT ANY WORK BEGINNING WITHIN SEVEN (7) CALENDAR DAYS OF RECEIPT OF NOTICE. SHOULD THE CONTRACTOR FAIL TO RESPOND TO THE WRITTEN NOTICE, THE OWNER MAY CORRECT THE WORK AT THE CONTRACTOR'S EXPENSE.
- THE CONTRACTOR SHALL BE RESPONSIBLE FOR IMPORTING AND/OR EXPORTING ALL MATERIAL AS REQUIRED TO PROPERLY GRADE THIS SITE TO THE FINISHED ELEVATIONS SHOWN HEREON AS WELL AS THE LEGAL DISPOSAL OF WASTE IN ACCORDANCE WITH THE APPROVED PLANS AND SPECIFICATIONS.
- CONTRACTOR IS RESPONSIBLE TO COORDINATE ALL SITE WORK WITH ALL OTHER TRADES.
- SAFETY - NEITHER THE OWNER NOR THE ENGINEER WILL BE RESPONSIBLE FOR COMPLIANCE WITH SAFETY MEASURES OR REGULATIONS. THE CONTRACTOR SHALL DESIGN, CONSTRUCT, AND MAINTAIN ALL SAFETY DEVICES, AND SHALL BE SOLELY RESPONSIBLE FOR CONFORMING TO ALL LOCAL, STATE AND FEDERAL SAFETY AND HEALTH STANDARDS, LAWS, AND REGULATIONS.
- ANY BURNING ON SITE SHALL BE SUBJECT TO LOCAL ORDINANCES.
- THE CONTRACTOR IS RESPONSIBLE TO CALL 1-800-922-1987 (OR 811) AT LEAST 2 WORKING DAYS PRIOR TO ANY EARTH DISTURBING ACTIVITIES OR UTILITY EXCAVATIONS.

SHOP AND FABRICATION NOTES

- THE CONTRACTOR SHALL PREPARE AND SUBMIT FABRICATION DRAWINGS, DESIGN MIX INFORMATION, MATERIAL TESTING COMPLIANCE DATA, AND ANY OTHER PERTINENT DATA TO THE ENGINEER FOR REVIEW AND APPROVAL PRIOR TO PLACEMENT OF MATERIALS. FOLLOWING REVIEW, THE CONTRACTOR SHALL RESUBMIT COPIES OF ANY DRAWINGS WHICH REQUIRE REVISION OR CORRECTIONS.
- ANY REVIEW BY THE ENGINEER WILL NOT RELIEVE THE CONTRACTOR FOR RESPONSIBILITY FOR ERRORS OR OMISSIONS, OR SCHEDULE REQUIREMENTS. THE CONTRACTOR SHALL REMAIN SOLELY RESPONSIBLE FOR FULL AND COMPLETE PERFORMANCE IN ACCORDANCE WITH THE TERMS, CONDITIONS, PROVISIONS, DRAWINGS, AND SPECIFICATIONS.

ACCESS NOTES

- CONTRACTOR SHALL COORDINATE ACCESS, STAGING AND STOCKPILE LOCATIONS WITH OWNER.
- CONTRACTOR SHALL RESTORE DISTURBED AREAS TO PRE-CONSTRUCTION OR BETTER CONDITIONS.

EXISTING UTILITY NOTES

- EXISTING UNDERGROUND INSTALLATIONS AND PUBLIC UTILITIES SHOWN ARE INDICATED ACCORDING TO THE BEST INFORMATION AVAILABLE TO THE ENGINEER AND DEPICTED ON THESE PLANS TO A LEVEL OF QUALITY IN ACCORDANCE WITH ASCE 38-02.
- THE CONTRACTOR SHALL BE SOLELY RESPONSIBLE FOR LOCATING AND VERIFYING MATERIAL TYPES OF ALL EXISTING UTILITY INSTALLATIONS ABOVE AND BELOW GROUND IN ADVANCE OF THE PROJECT BY CONTACTING THEIR RESPECTIVE OWNERS. ALL COSTS RELATED TO LOCATING EXISTING UTILITIES ARE INCIDENTAL AND SHALL NOT BE PAID SEPARATELY. NOT ALL UTILITIES ARE IDENTIFIED ON THE PLANS. NOTIFY ENGINEER OF POTENTIAL CONFLICTS.
- THE CONTRACTOR SHALL NOTIFY THE ENGINEER AND THE TOWN OF PARKER A MINIMUM OF 5 BUSINESS DAYS PRIOR TO THE START OF CONSTRUCTION.

GEOTECHNICAL REPORT

- ALL GEOTECHNICAL RECOMMENDATIONS ARE TAKEN FROM THE REPORT TITLED "GEOTECHNICAL EVALUATION REPORT" BY VIVID ENGINEERING GROUP, INC. DATED 4/04/2023.
- ALL REFERENCES MADE TO THE GEOTECHNICAL REPORT IN THIS PLAN SET SHALL CONSULT THE AFOREMENTIONED REPORT.

NOT FOR CONSTRUCTION - PRELIMINARY DESIGN

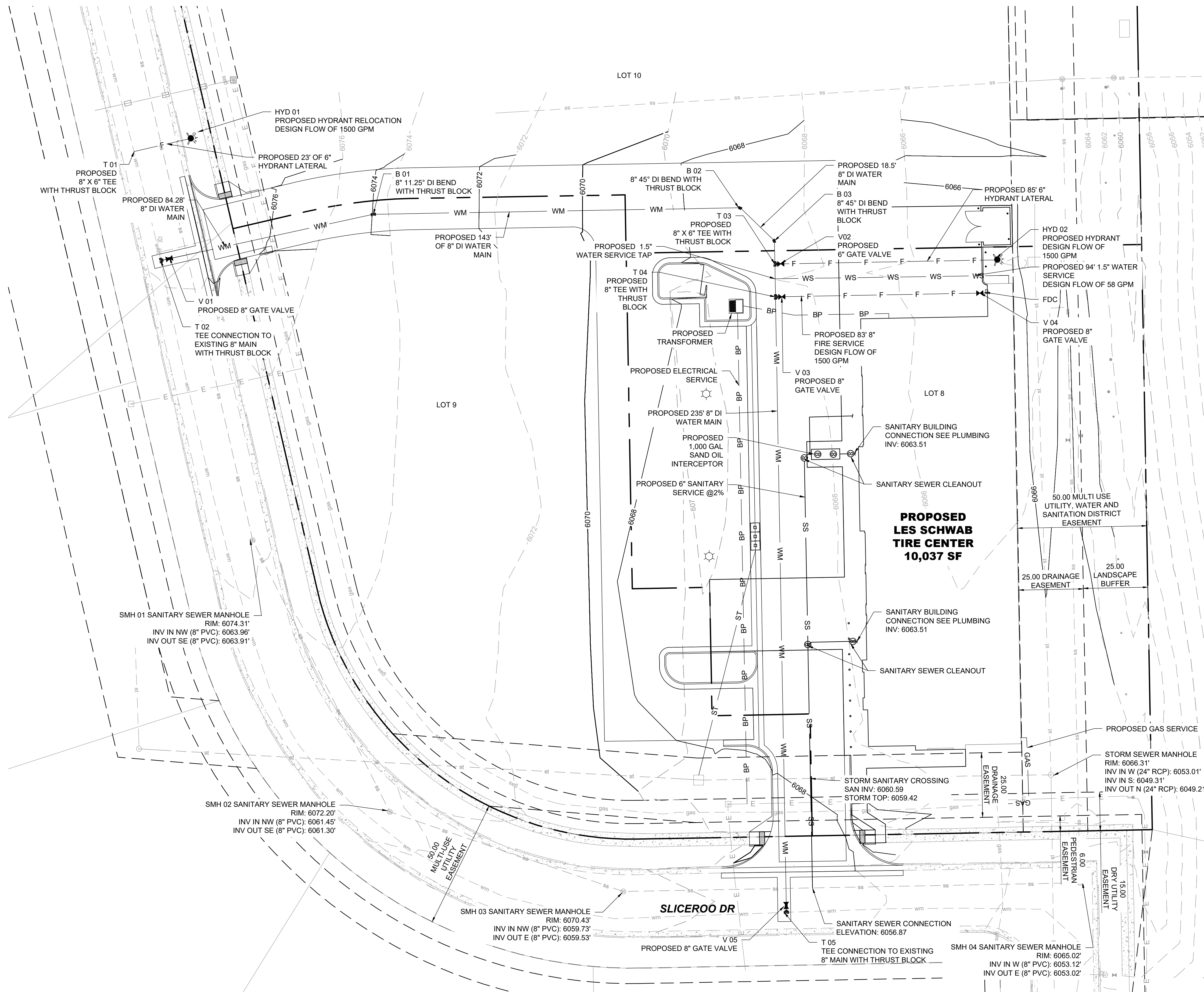
© 2023 | ALL RIGHTS RESERVED

WATER UTILITY PLAN

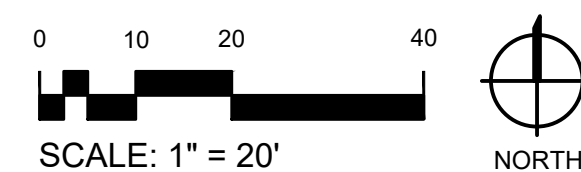
08.18.2023
DRAWN BY | CAMPOS
CHECKED BY | WHITE
REVISIONS

GENERAL NOTES & LEGEND

C302



1 OVERALL UTILITY PLAN
C303



NOT FOR CONSTRUCTION - PRELIMINARY DESIGN

CHAMBERS & HESS RD, PARKER, CO
6-BAY LINEAR STORE

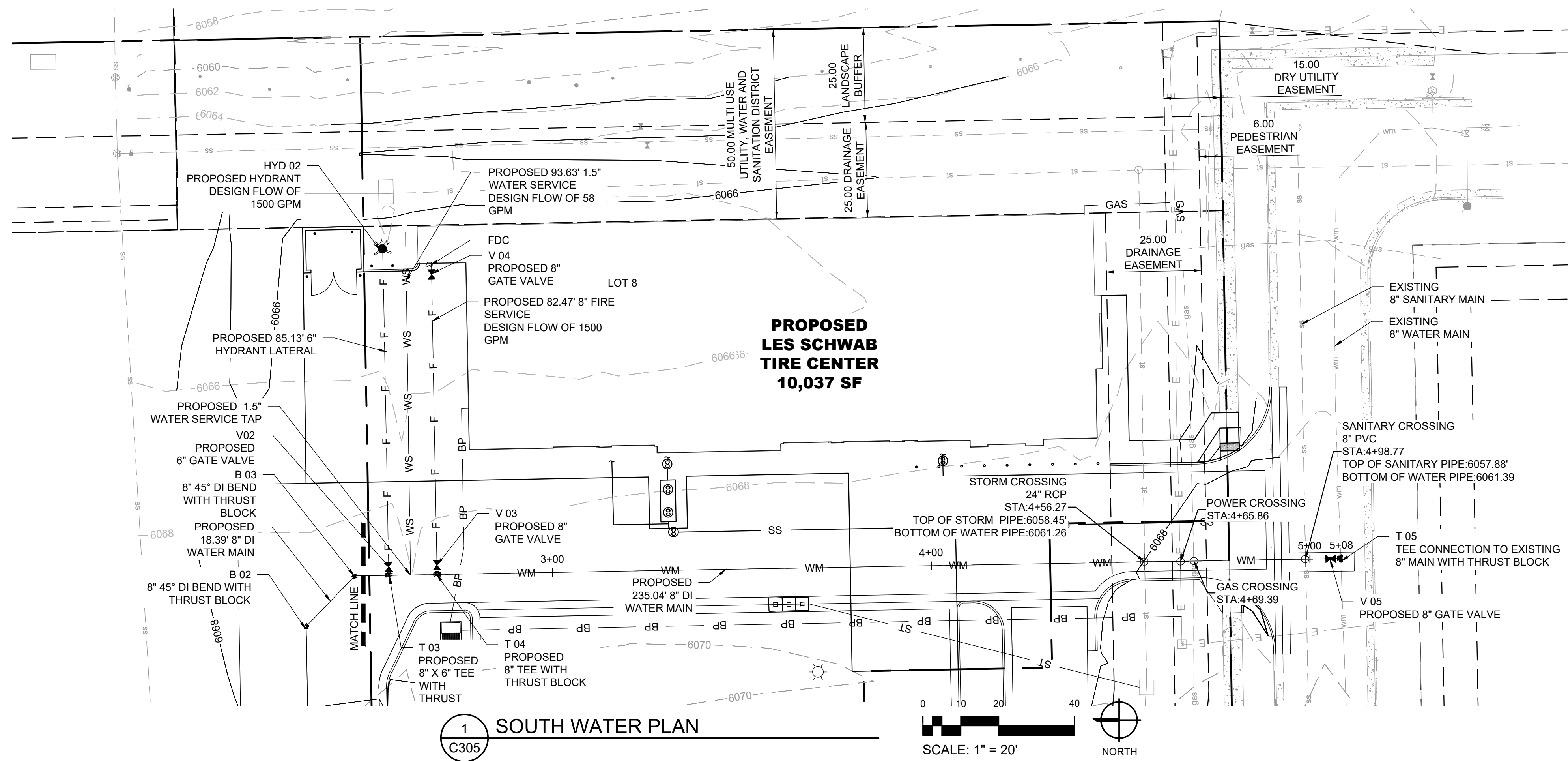
LES SCHWAB TIRE CENTER - PARKER, CO

© 2023 | ALL RIGHTS RESERVED
WATER UTILITY PLAN

08.18.2023
DRAWN BY | CAMPOS
CHECKED BY | WHITE
REVISIONS

OVERALL UTILITY PLAN

C303

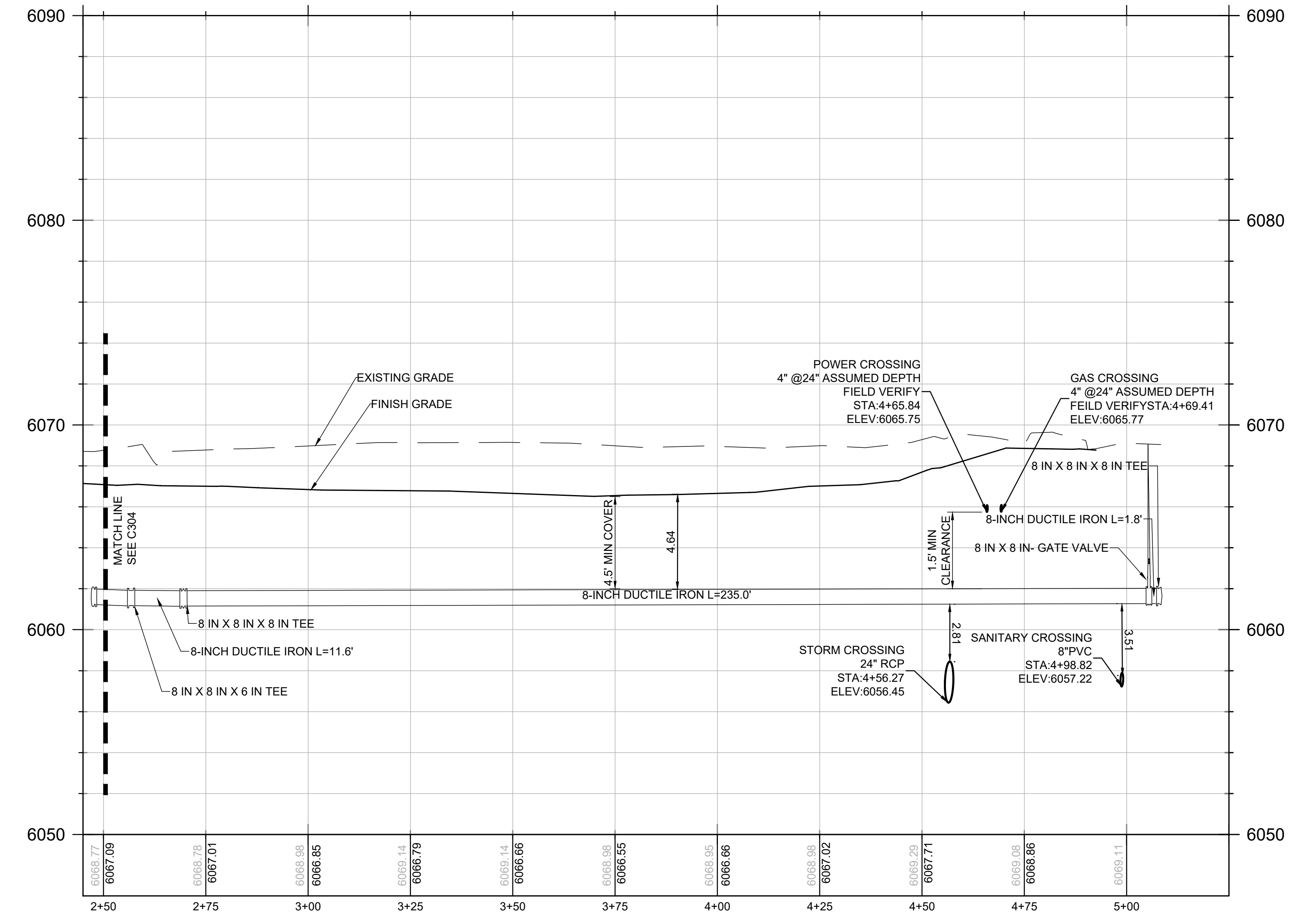


1 SOUTH WATER PLAN
C305

SCALE: 1" = 20'
NORTH

PIPE CLEARANCE NOTE

MINIMUM 5- FEET HORIZONTAL CLEARANCE BETWEEN WATER SERVICES. MIN 10- FEET HORIZONTAL CLEARANCE BETWEEN WATER AND SEWER SERVICES, AND BETWEEN MAINS AND UTILITIES. MINIMUM 5- FEET CLEARANCE FROM EASEMENT LINE TO WATER/SEWER MAINS.



2 SOUTH WATER PROFILE
C305

VERTICAL SCALE: 1" = 4'
HORIZONTAL SCALE: 1" = 20'

NOT FOR CONSTRUCTION - PRELIMINARY DESIGN

CHAMBERS & HESS RD., PARKER, CO
6-BAY LINEAR STORE

LES SCHWAB TIRE CENTER - PARKER, CO

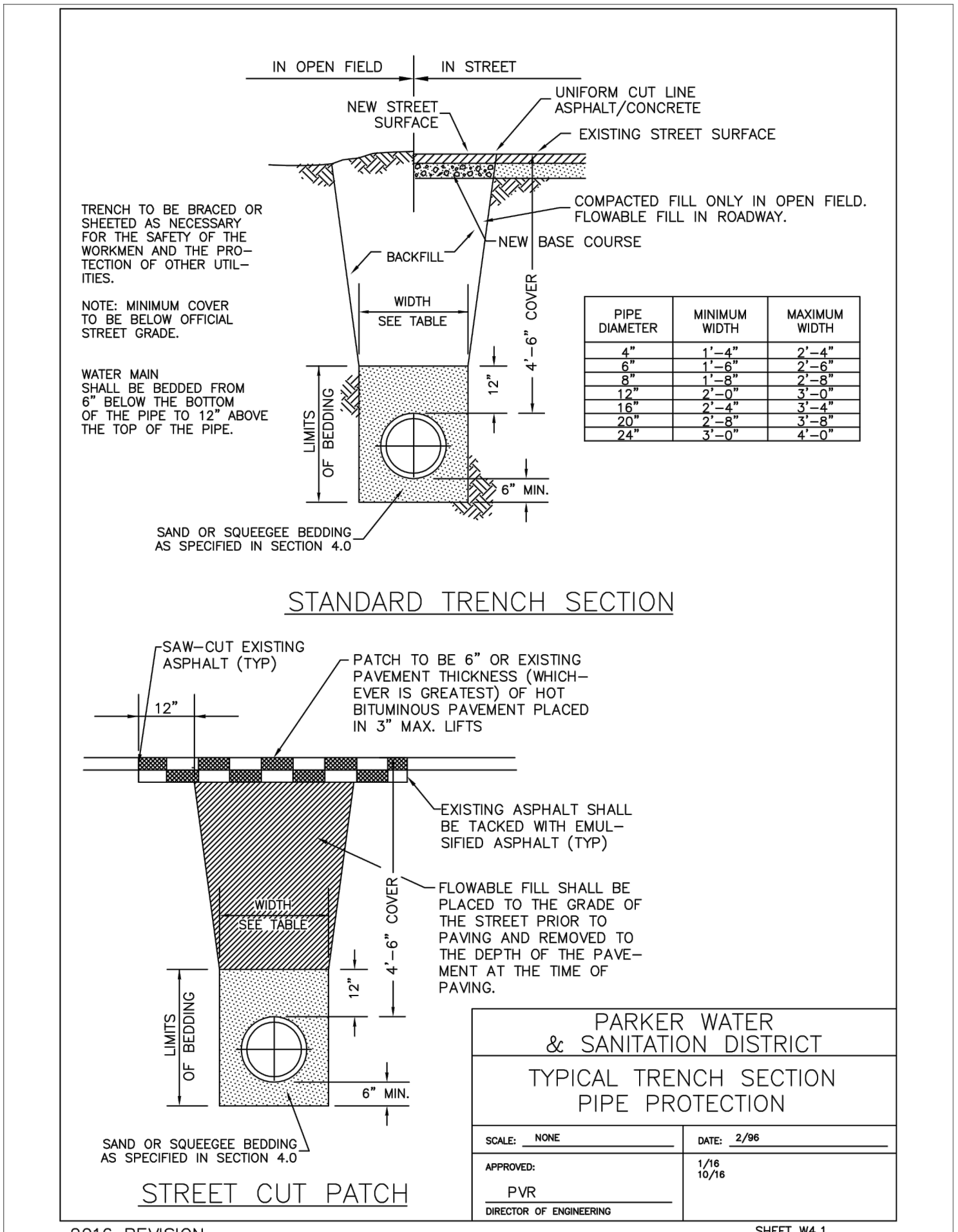
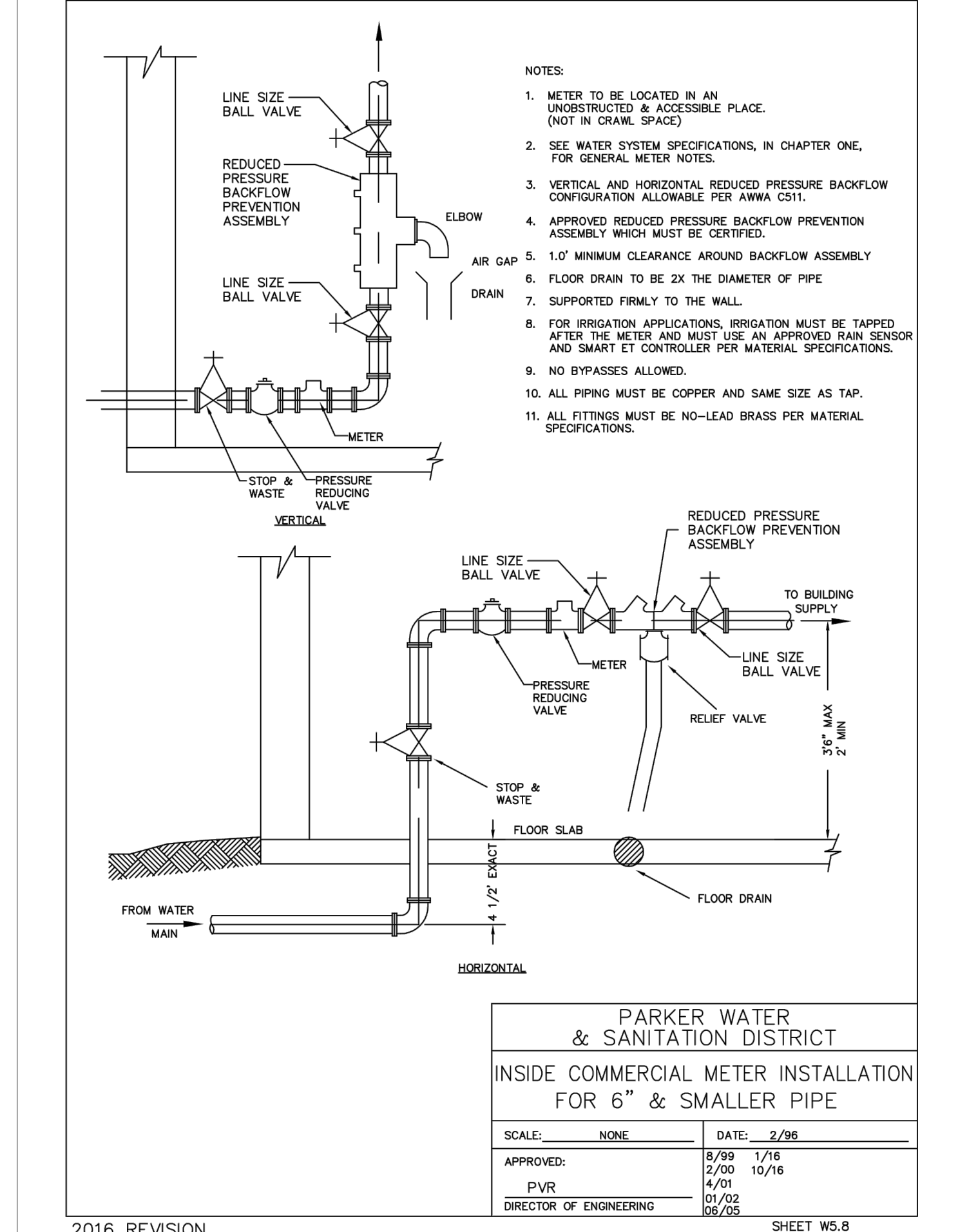
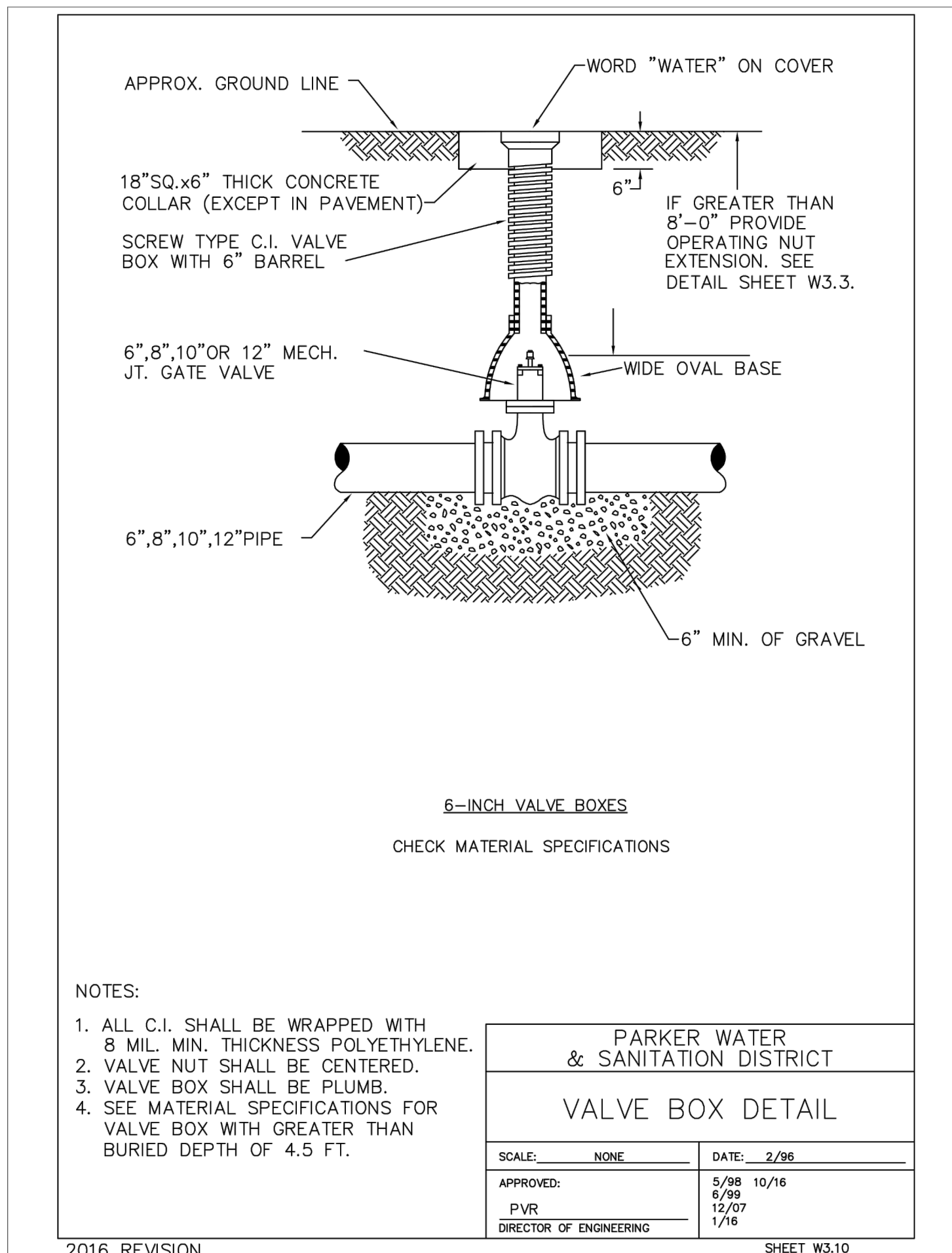
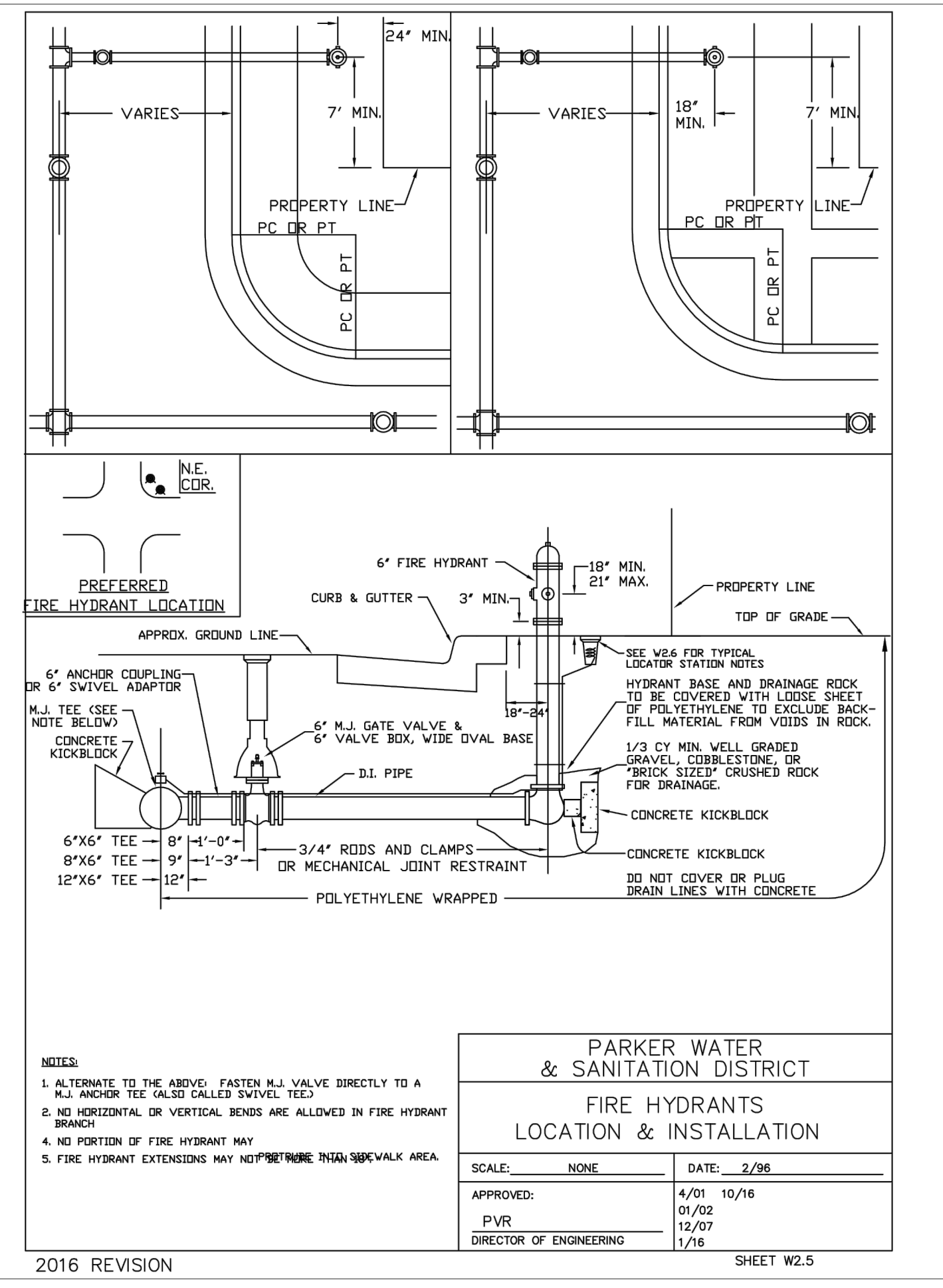
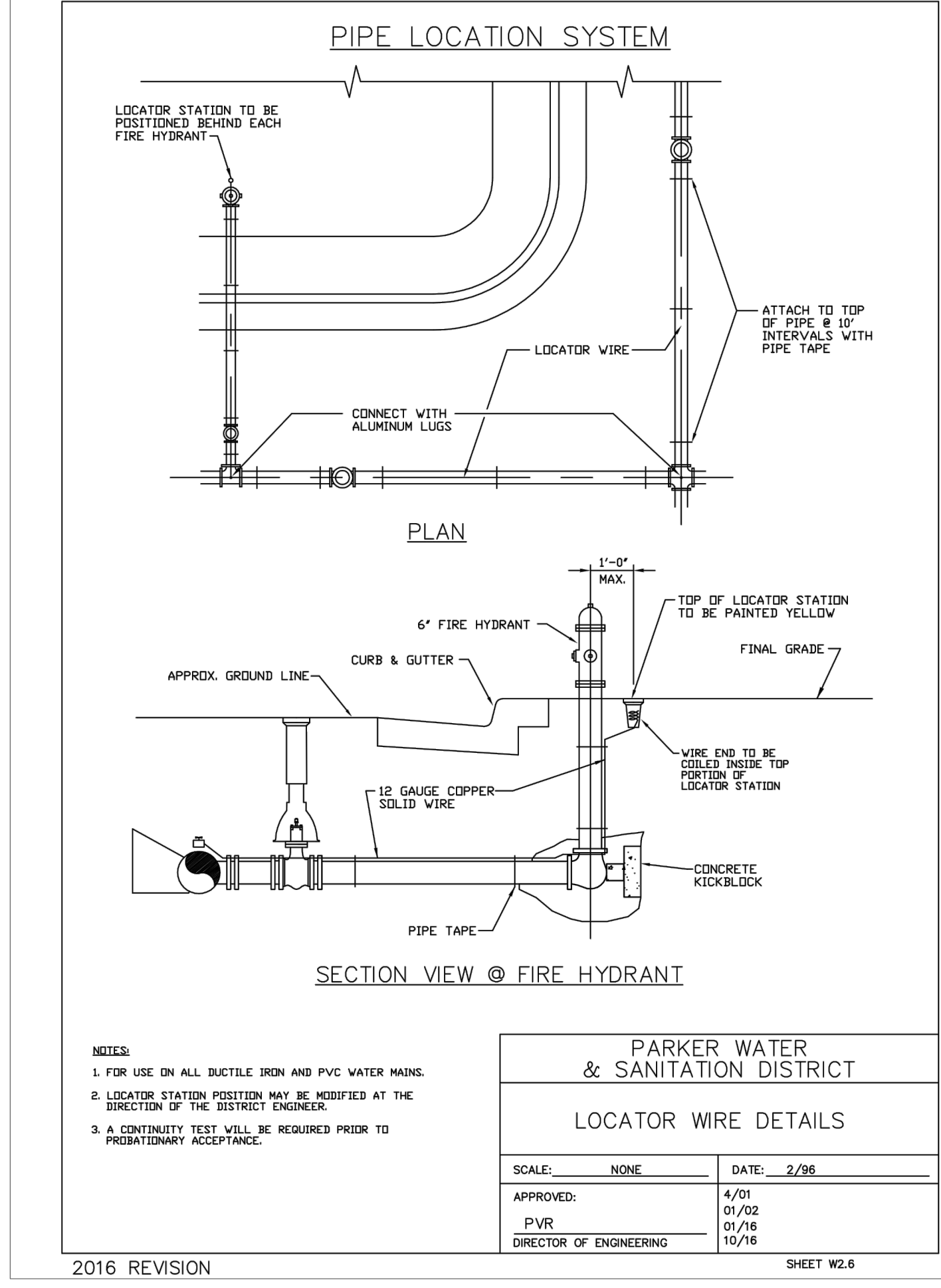
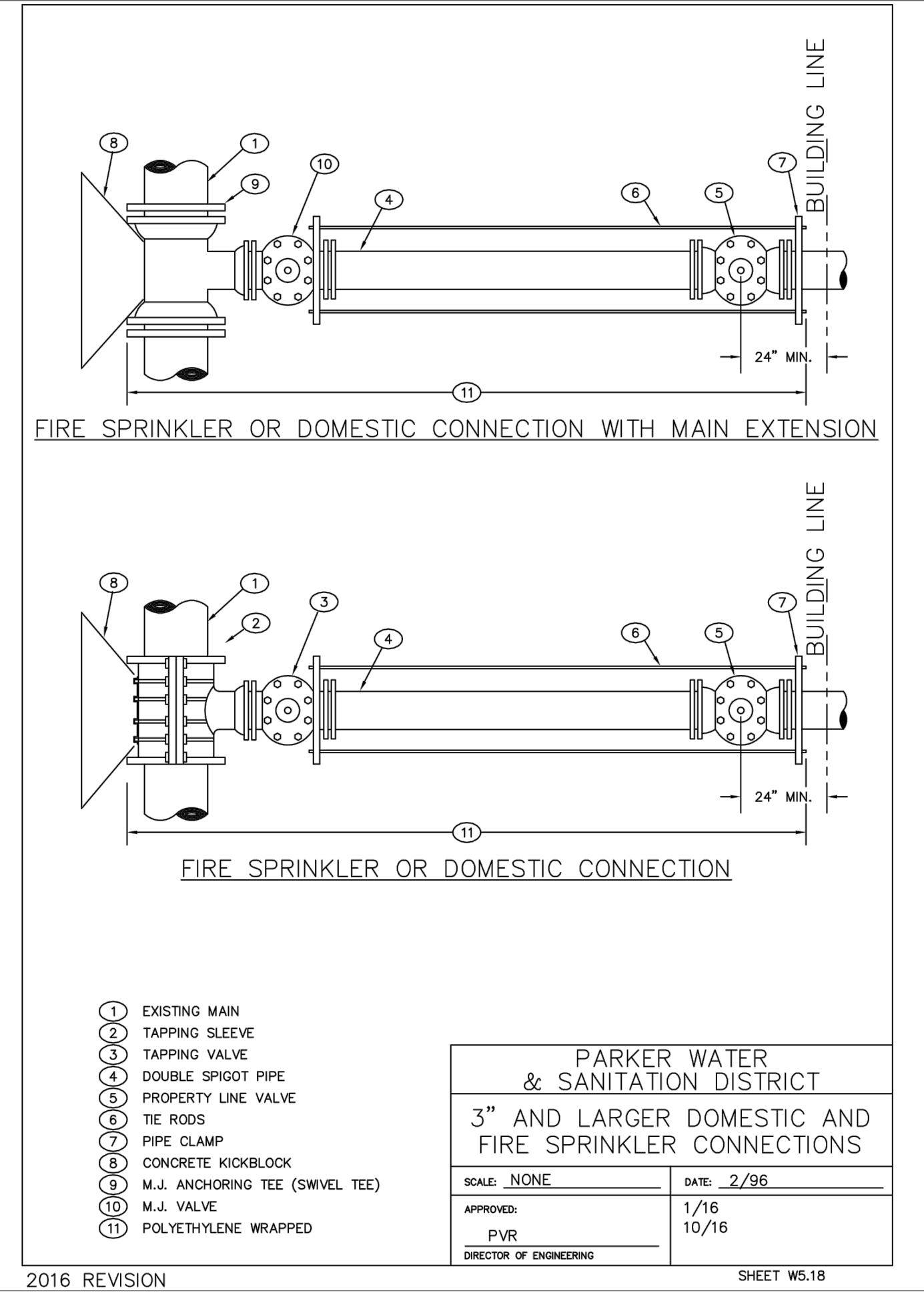
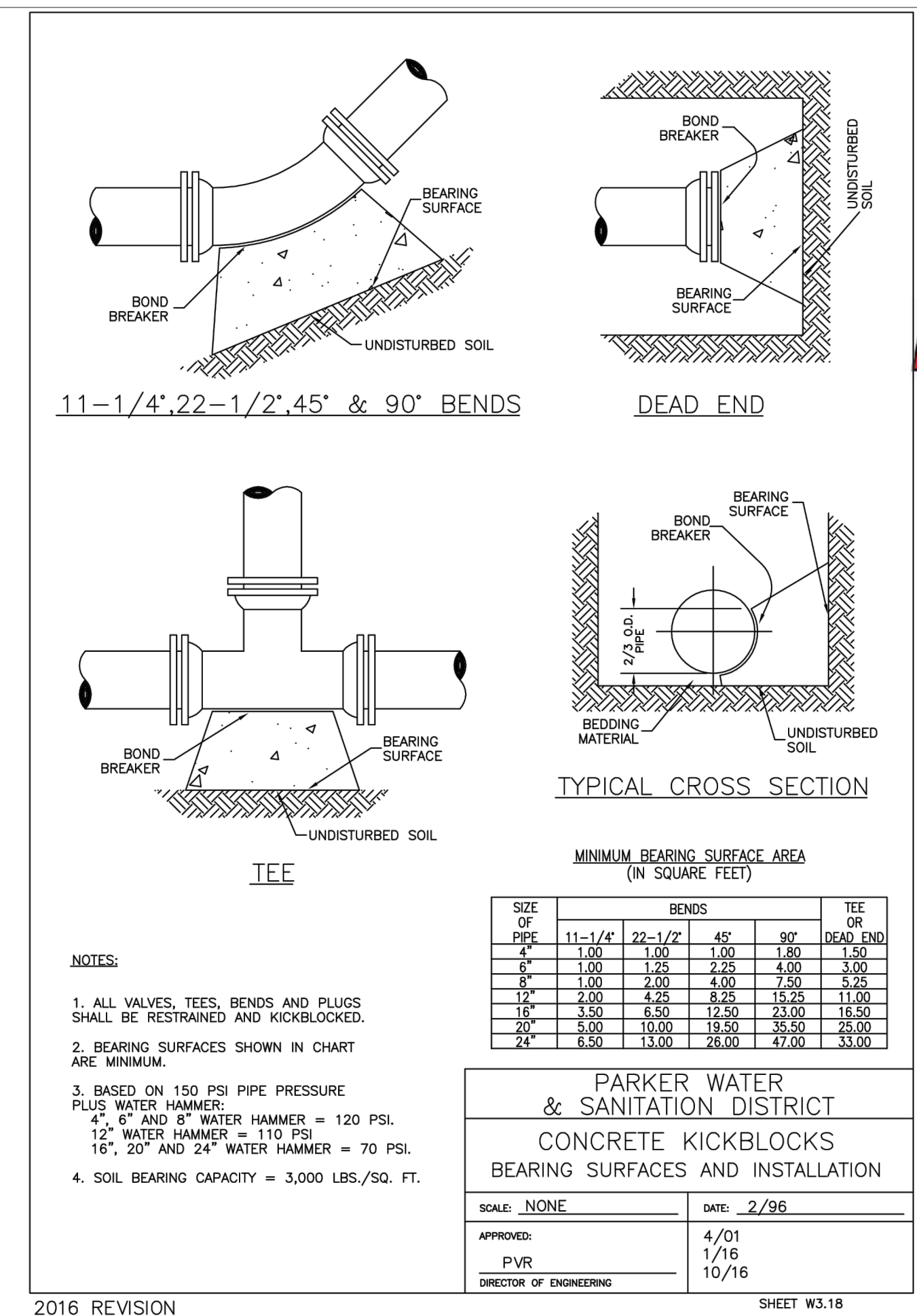
© 2023 | ALL RIGHTS RESERVED
WATER UTILITY PLAN

08.18.2023
DRAWN BY | CAMPOS
CHECKED BY | WHITE
REVISIONS

SOUTH WATER PLAN & PROFILE

C305

NOT FOR CONSTRUCTION - PRELIMINARY DESIGN



1 FIRE HYDRANT

2 FIRE SERVICE

3 THRUST BLOCK

4 UTILITY TRENCH

5 WATER METER

6 VALVE BOX