

PRELIMINARY
NOT FOR
BIDDING OR
CONSTRUCTION

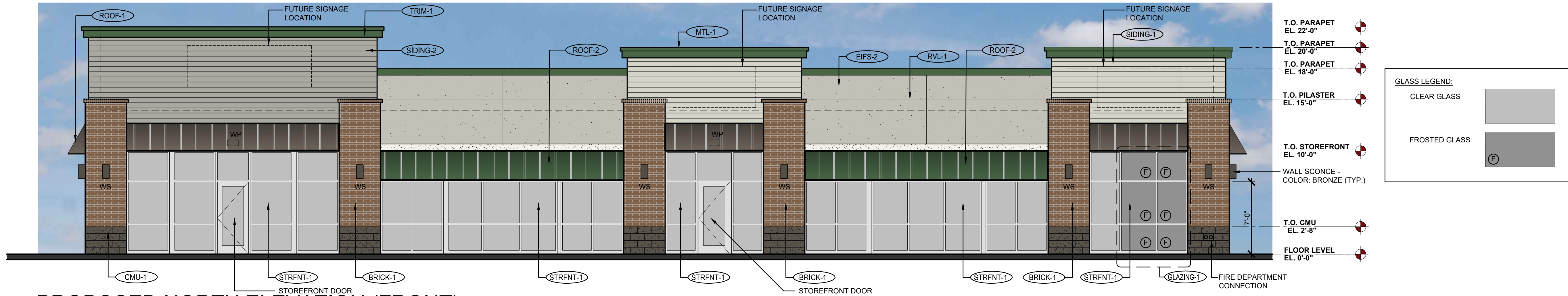
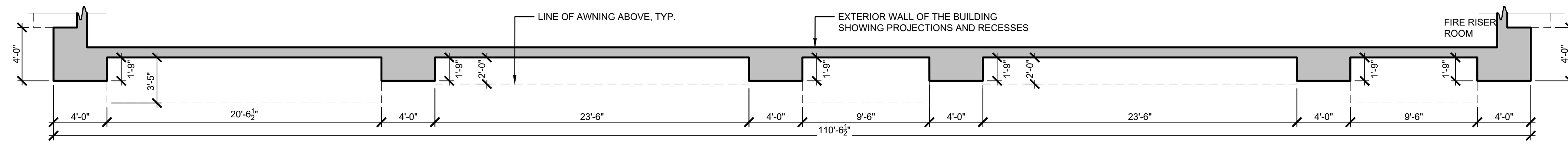
DATE: 06.26.2023
ISSUE: SITE PLAN ADJMT.
08.28.2023 SITE PLAN ADJMT.

DATE: 03.16.2023
DRAWN: BDG
CHECKED: SAB
BDG ARCH NO.: 23.005

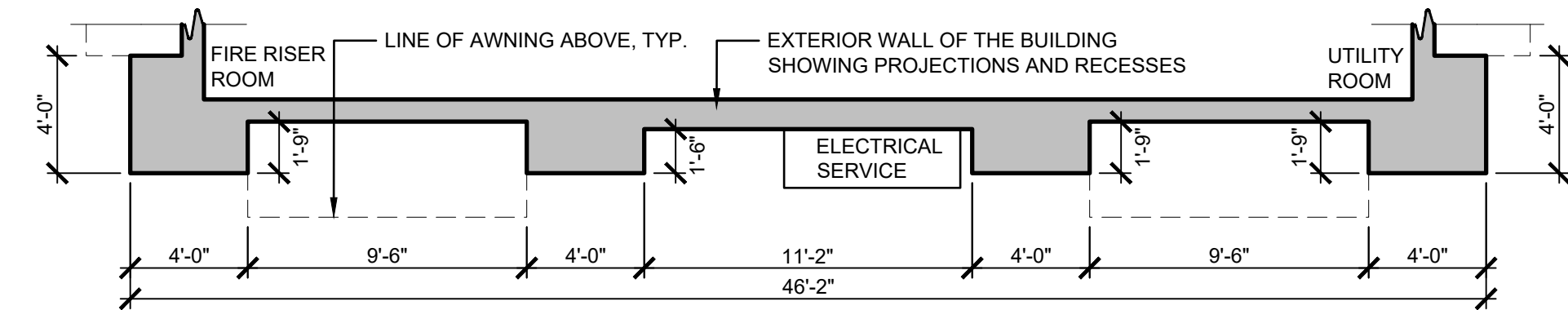
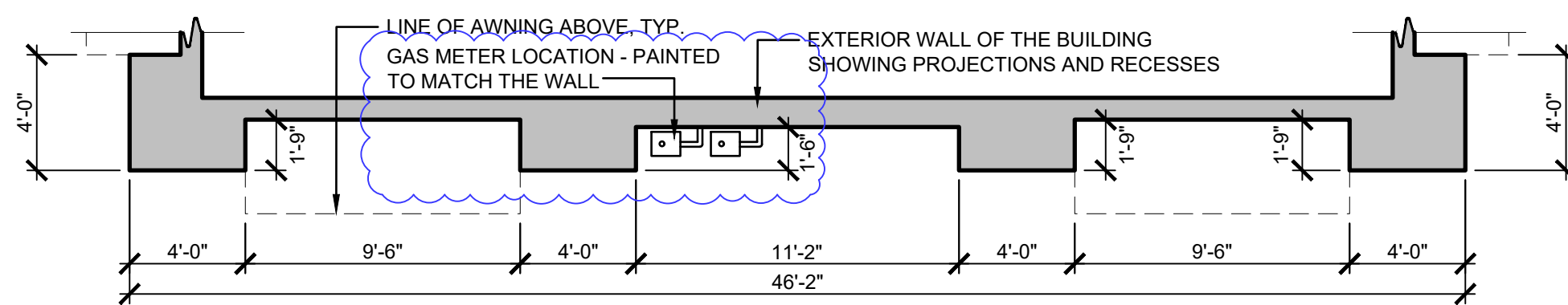
PROPOSED
EXTERIOR ELEVATIONS

A-1

SITE PLAN ADJUSTMENT - 08.28.2023



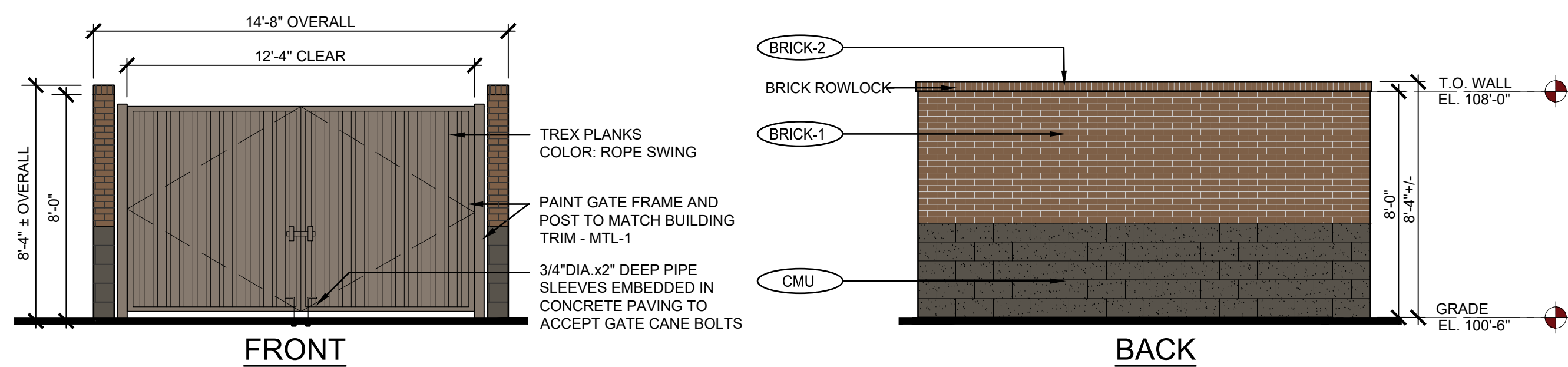
1
A-1
PROPOSED NORTH ELEVATION (FRONT)
SCALE: 3/16" = 1'-0"



2
A-1
PROPOSED EAST ELEVATION (LEFT SIDE)
SCALE: 3/16" = 1'-0"



3
A-1
PROPOSED WEST ELEVATION (RIGHT SIDE)
SCALE: 3/16" = 1'-0"



4
A-1
PROPOSED TRASH ENCLOSURE ELEVATIONS
SCALE: 1/4" = 1'-0"

EXTERIOR MATERIAL SCHEDULE				EXTERIOR MATERIAL SCHEDULE			
LABEL	MANUFACTURER	SIZE/TYPE	FINISH COLOR	LABEL	MANUFACTURER	SIZE/TYPE	FINISH COLOR
STRFNT-1	KAWNEER	TRIFAB 451	CLEAR ANODIZED W/ CLEAR GLASS	SIDING-1	JAMES HARDIE	HARDIEPLANK LAP SIDING	COLOR: BENJAMIN MOORE FEATHER GRAY 2127-60
BRICK-1	SUMMIT BRICK (OR EQUIV.)	MODULAR	GRAPHITE GRAIN	SIDING-2	JAMES HARDIE	HARDIEPLANK LAP SIDING	COLOR: COBBLESTONE
BRICK-2	SUMMIT BRICK (OR EQUIV.)	ROWLOCK SILL	GRAPHITE GRAIN	TRIM-1	JAMES HARDIE	HARDIETRIM BOARDS	PRODUCT: 5/4 SMOOTH COLOR: SW #704-B URBANE BRONZE
CMU-1	BASALITE (OR EQUIV.)	INTEGRAL COLOR W/ ASSOCIATED CAP	CHARCOAL #G05 SPLIT-FACE	ROOF-1	MBCI	AWNING	BURNISHED SLATE
EIFS-1	DRYVIT OR SIMILAR	FIELD (DARK)	DRYVIT, SUEDE #105 PEBBLE TEXTURE	ROOF-2	MBCI	AWNING	HUNTER GREEN
EIFS-2	DRYVIT OR SIMILAR	BANDING (LIGHT)	DRYVIT LIGHT SERENITY #300 PEBBLE TEXTURE	MTL-1	MBCI	METAL TRIM # DOWNSPOUTS	HUNTER GREEN
EIFS-3	DRYVIT OR SIMILAR	FIELD (MEDIUM)	DRYVIT PRAIRIE CLAY #111 PEBBLE TEXTURE	PAINT-1	BENJAMIN MOORE	DOORS & FRAMES	SHERWIN WILLIAMS #G073 PERFECT GREIGE
RVL-1	DRYVIT OR SIMILAR	3/4" ROUTED REVEAL	COLOR TO MATCH ADJACENT FINISH	SCREEN-1	ACCURATE PERFORATING (OR EQUIV.)	RS234	BENJAMIN MOORE #2108-05 SILVER FOX
GLAZING-1	---	SEE STOREFRONT NOTE THIS PAGE	---				