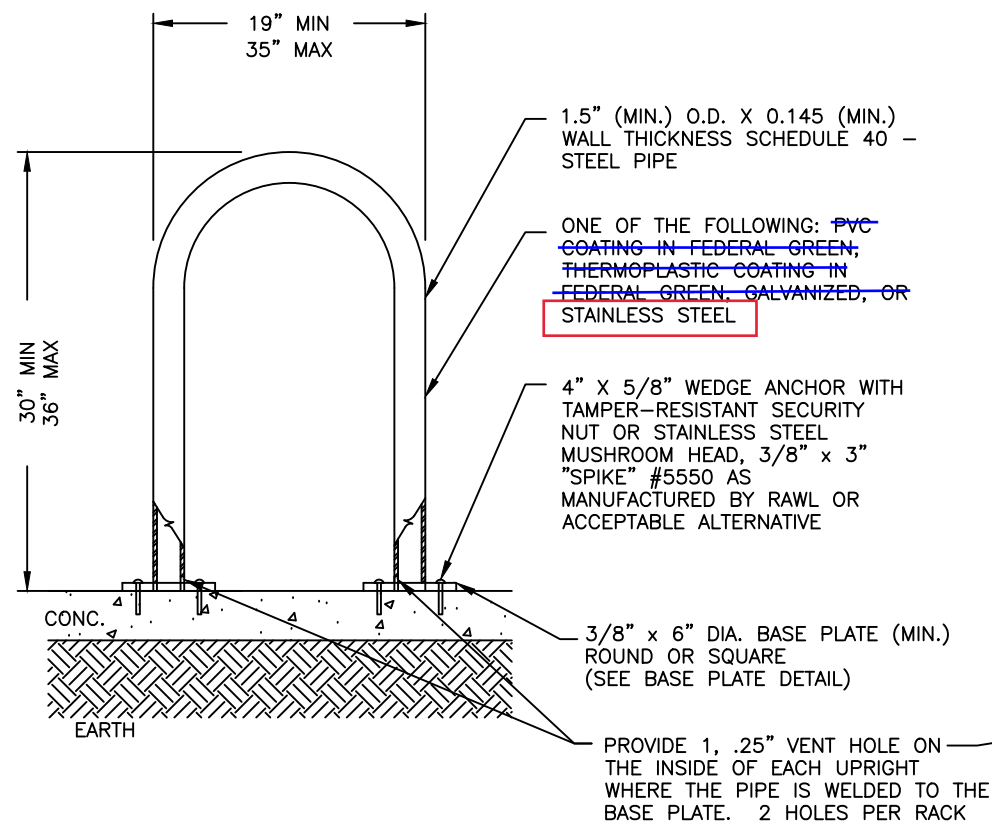
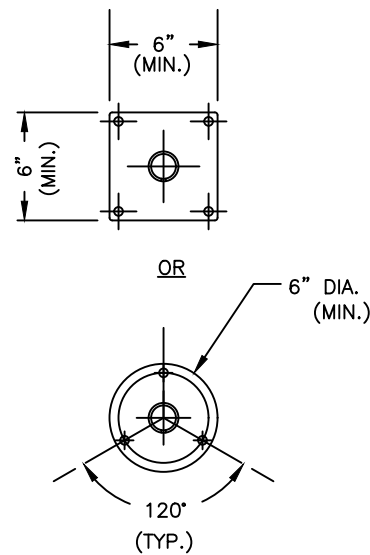


INDIVIDUAL RACK



3/8" BASE PLATE DETAIL



NOTES:

1. RACK SHALL NOT BE WELDED IN SECTIONS.
2. BASE PLATE SHALL BE WELDED TO STEEL PIPE.
3. RACK DIMENSIONS MAY VARY BY MANUFACTURER.

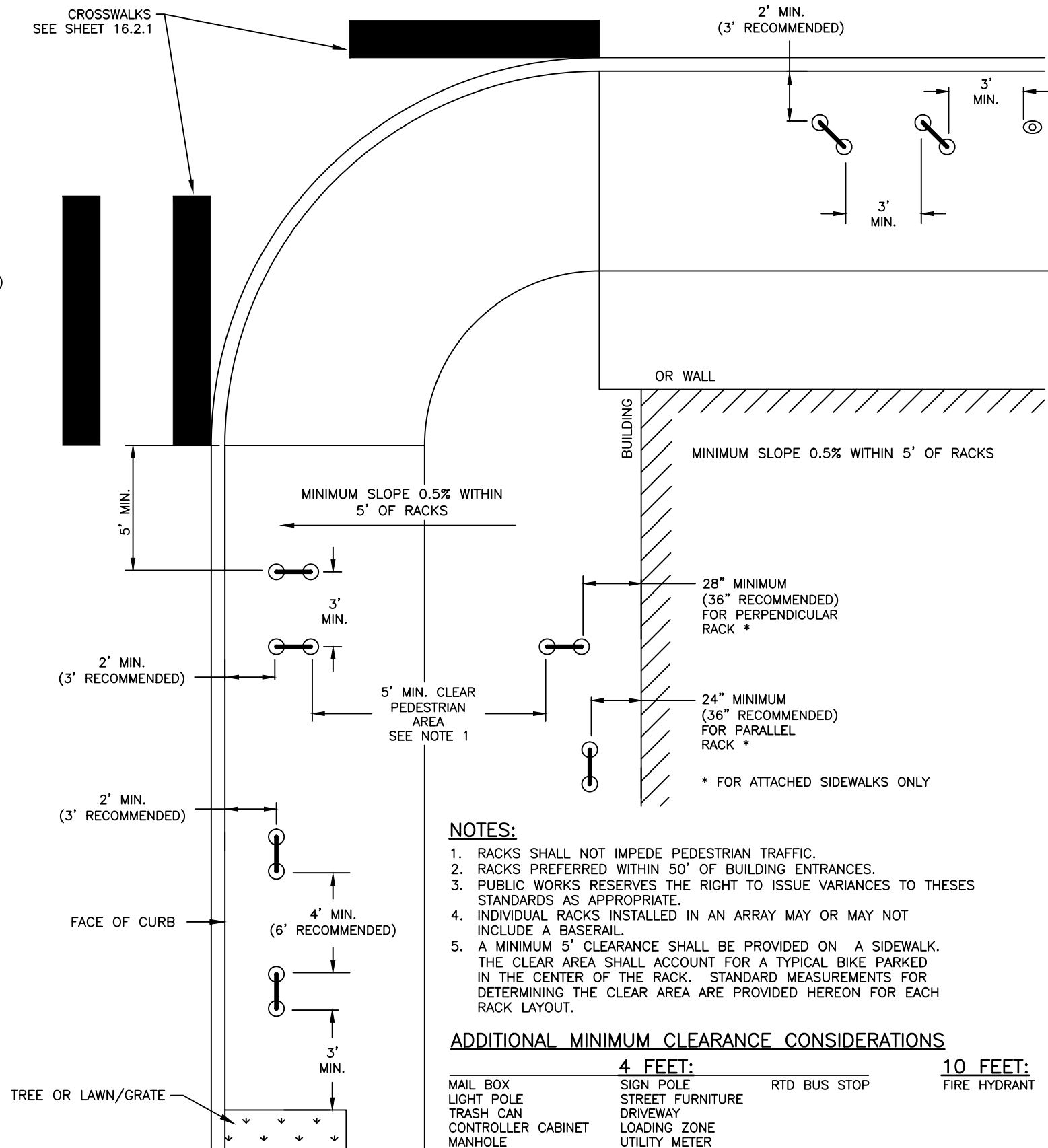
MOUNTING (CONCRETE):

1. BASE PLATE SHALL BE MOUNTED TO CONCRETE VIA EXPANSION ANCHOR: 4" X 5/8" WEDGE ANCHOR WITH TAMPER-RESISTANT SECURITY NUT, OR STAINLESS STEEL MUSHROOM HEAD 3/8" X 3" "SPIKE" #5550 AS MANUFACTURED BY RAWL OR APPROVED EQUAL
2. RACK SHALL BE SET FIRM AND ALIGNED WITH A TOLERANCE PLUS OR MINUS 1/4" FROM PLUMB.
3. STEEL SHIMS SHALL BE INSTALLED PRIOR TO ANCHORING IN PLACE WHEN NEEDED.

MOUNTING (BRICK PAVERS):

1. REMOVE APPROPRIATE BRICK PAVERS AND PAVER BEDDING MATERIAL AS NECESSARY FOR INSTALLATION.
2. CONSTRUCT CONCRETE SLAB (MINIMUM 4-INCH THICK) OR CONCRETE FOOTINGS (24-INCH DEEP, 12-INCH WIDE) BELOW THE BRICK PAVER BEDDING MATERIAL. CONCRETE SHALL BE CLASS A OR B.
3. BASE PLATE SHALL BE MOUNTED TO CONCRETE VIA EXPANSION ANCHOR: TAPER-RESISTANT SECURITY NUT, OR STAINLESS STEEL MUSHROOM HEAD 3/8" X 3" "SPIKE" #5550 AS MANUFACTURED BY RAWL OR APPROVED EQUAL
4. RACK SHALL BE SET FIRM AND ALIGNED WITH A TOLERANCE PLUS OR MINUS 1/4" FROM PLUMB.
5. STEEL SHIMS SHALL BE INSTALLED PRIOR TO ANCHORING IN PLACE WHEN NEEDED.
6. PAVERS SHALL BE CUT TO FIT RACK POSTS. REPLACE BEDDING MATERIAL IN KIND AND REINSTALL PAVERS.

CROSSWALKS
SEE SHEET 16.2.1



NOTES:

1. RACKS SHALL NOT IMPEDE PEDESTRIAN TRAFFIC.
2. RACKS PREFERRED WITHIN 50' OF BUILDING ENTRANCES.
3. PUBLIC WORKS RESERVES THE RIGHT TO ISSUE VARIANCES TO THESE STANDARDS AS APPROPRIATE.
4. INDIVIDUAL RACKS INSTALLED IN AN ARRAY MAY OR MAY NOT INCLUDE A BASERAIL.
5. A MINIMUM 5' CLEARANCE SHALL BE PROVIDED ON A SIDEWALK. THE CLEAR AREA SHALL ACCOUNT FOR A TYPICAL BIKE PARKED IN THE CENTER OF THE RACK. STANDARD MEASUREMENTS FOR DETERMINING THE CLEAR AREA ARE PROVIDED HEREON FOR EACH RACK LAYOUT.

ADDITIONAL MINIMUM CLEARANCE CONSIDERATIONS

	4 FEET:	10 FEET:
MAIL BOX	SIGN POLE	RTD BUS STOP
LIGHT POLE	STREET FURNITURE	FIRE HYDRANT
TRASH CAN	DRIVEWAY	
CONTROLLER CABINET	LOADING ZONE	
MANHOLE	UTILITY METER	

Computer File Information

Creation Date:	Initials:
Full Path:	
Drawing File Name:	
CAD Ver.:	Scale: Units:

Sheet Revisions

Date:	Comments:



DEPARTMENT OF PUBLIC WORKS

201 WEST COLFAX AVENUE
DENVER, CO 80202
PHONE: (720) 913-4501
FAX: (720) 913-4544

BIKE RACK DETAILS

Issued By:

STANDARD DRAWING NO.

16.2.15

Sheet No. 16 of 17