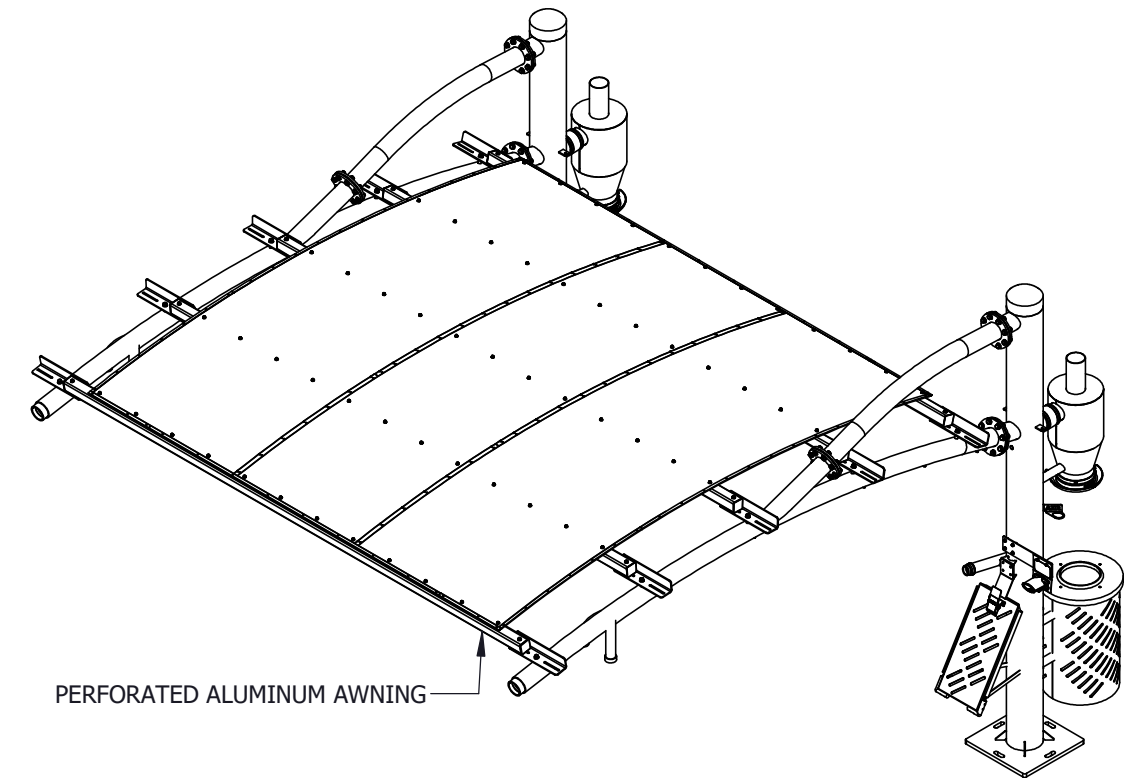
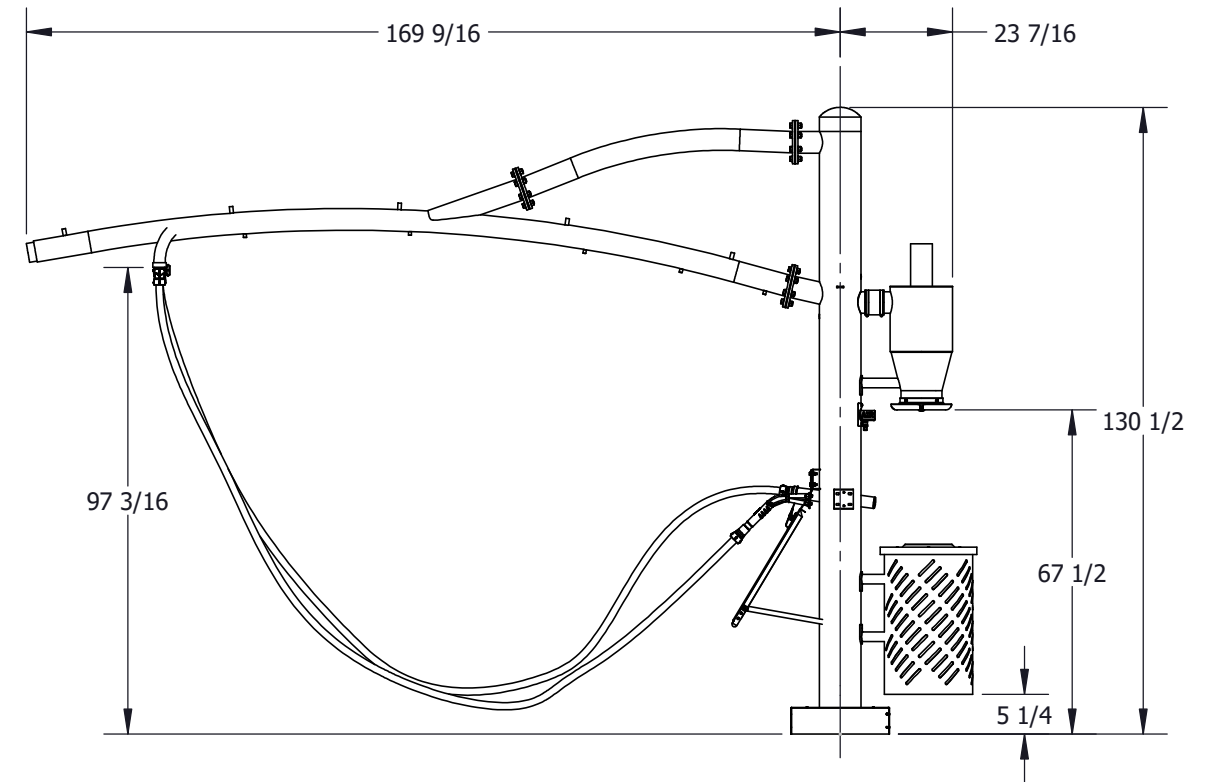
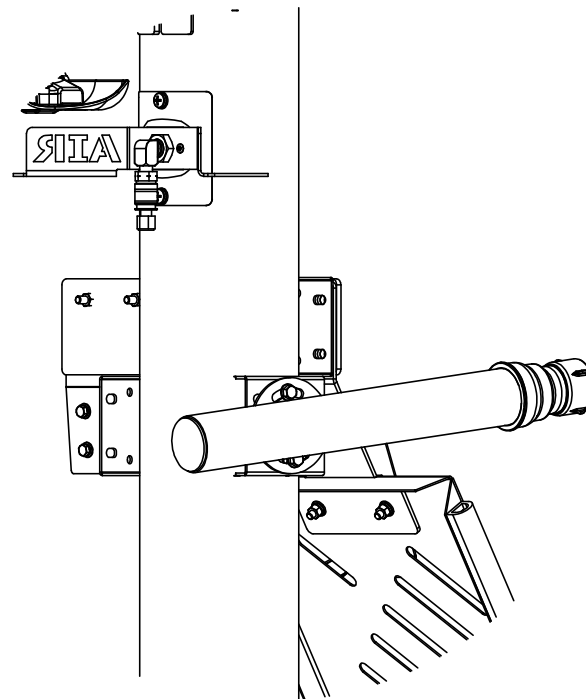
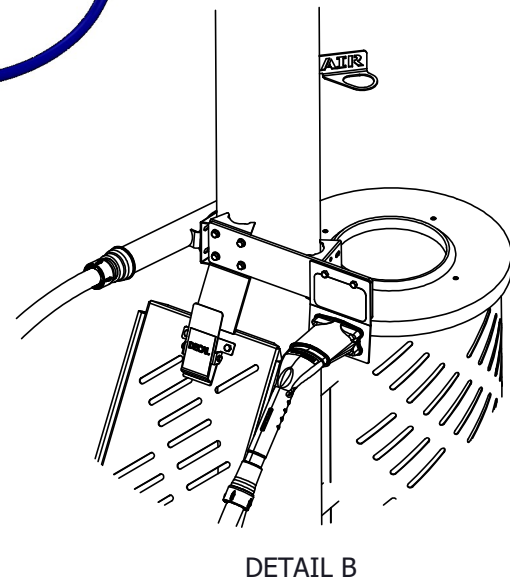
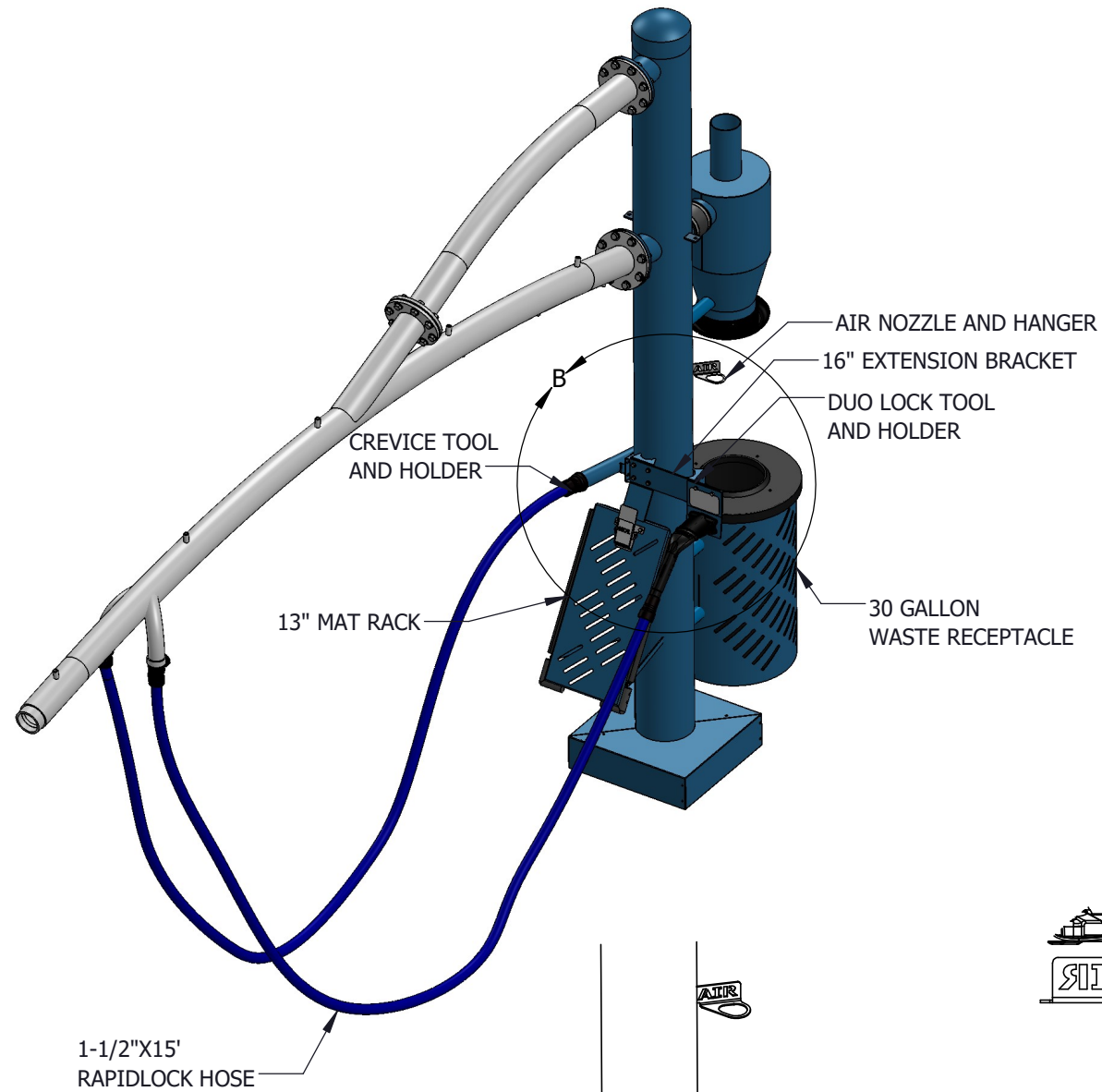
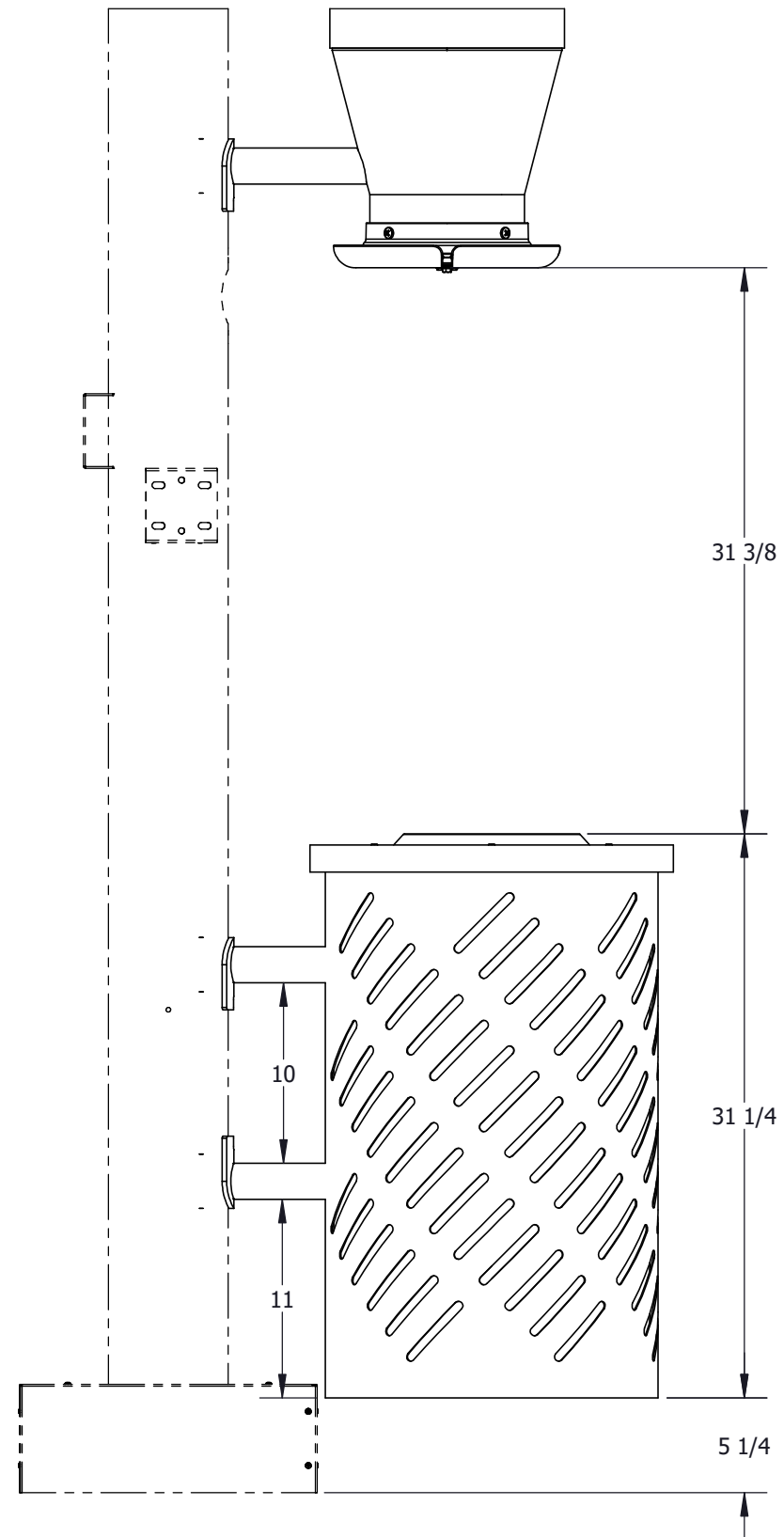


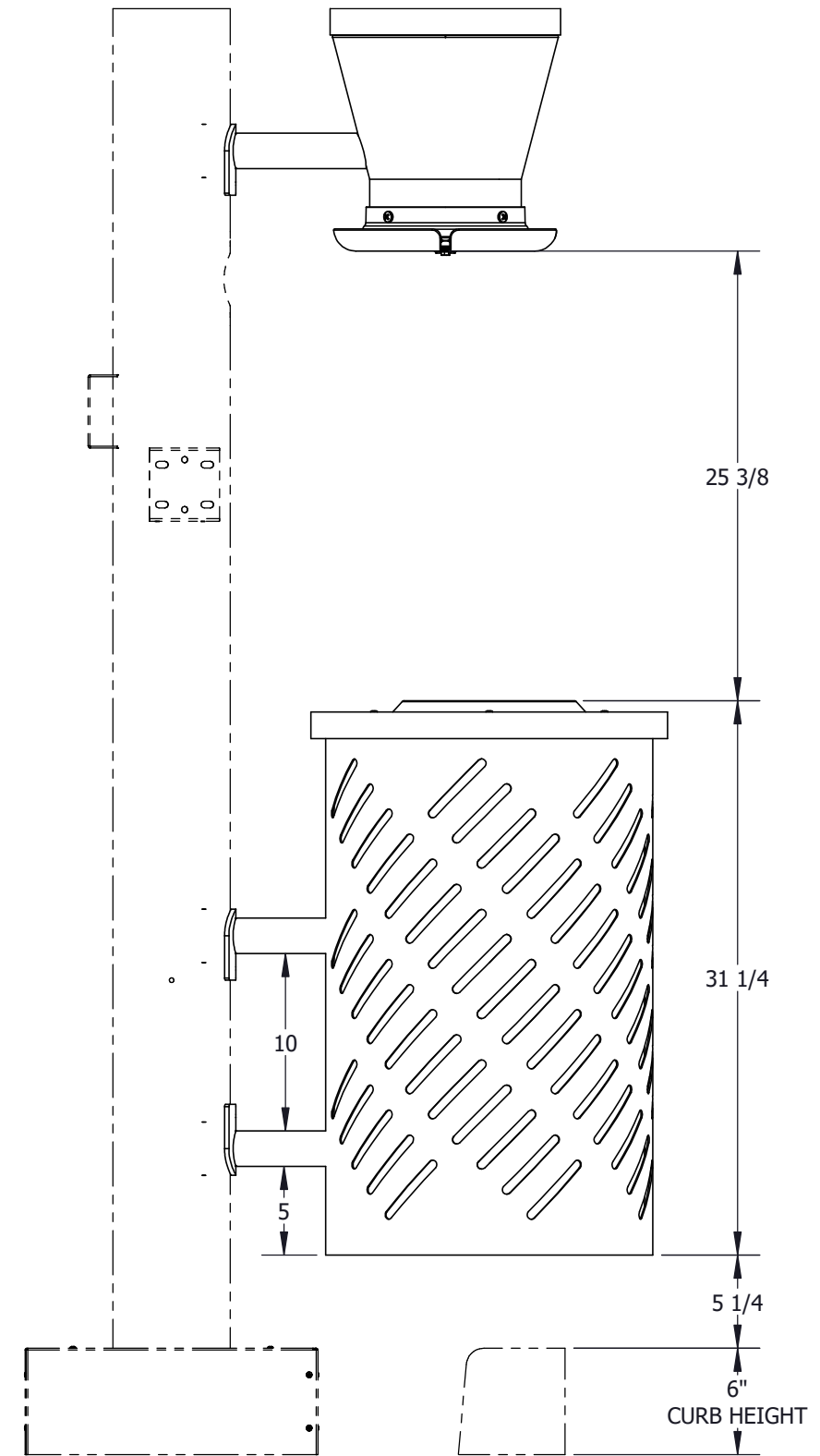
# MISTER CAR WASH PERFORATED CANOPY

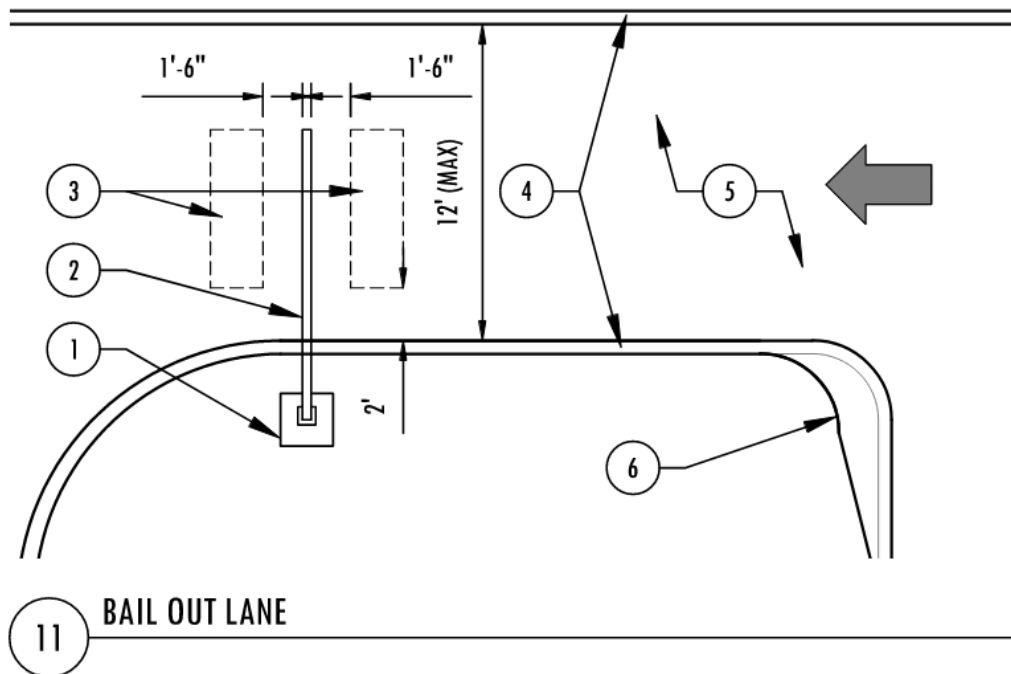


WASTE STANDARD CONFIGURATION



WASTE CURB CONFIGURATION





### KEYNOTES

1. INCLUDE 2' x 2' CONCRETE PAD W/POWER AT BAIL LANE FOR GATE.
2. BAIL LANE GATE NEAR END OF BAIL OUT DRIVE AISLE.
3. 2' x 6' GATE LOOP.
4. VERTICAL CURB (SHEET 08, DETAIL 3).
5. SITE TO BE CONCRETE (EXCEPT SIDEWALKS). NO ASPHALT.
- \*CONCRETE PAVEMENT WITH #3 REBAR AT 18" O.C.E.W.
6. ROLLED CURB ( SHEET 8, DETAIL 1).