



**Builder/Developer  
Service  
Requirements**

**Revised January 2024**

We understand that obtaining electrical facilities is only one of many tasks our members must achieve during the construction of a new residence or commercial facility. Therefore, it is our goal to provide the best member service possible.

Please do not hesitate to contact our Engineering Services Department with any questions or concerns at 303-688-3100, option 4.

Providing us with the *work order (WO#)* number or description of the property will help us answer your questions promptly.

We look forward to serving you!

## Table of Contents

PROCESSING NEW SERVICE APPLICATIONS .....	4
Phase 1 – Engineering .....	4
Phase 2 – Contract and Construction .....	5
ELECTRIC SAFETY AND CODE CLEARANCES .....	6
LOCATES FOR UNDERGROUND UTILITIES .....	7
RIGHT-OF-WAY, EASEMENTS, AND ACCESS.....	8
Types of Easements .....	8
Access to Utility Easements.....	8
General Restrictions on Easements/Right-of-Way.....	8
Landscaping on Utility Easements (Working Space) .....	9
Single-phase Pad Mounted Equipment .....	10
Three-phase Pad Mounted Equipment .....	11
Pad Mounted Switchgear .....	14
EUSERC Cabinets.....	15
Guard Posts for Pad Mounted Equipment.....	16
TEMPORARY POWER SERVICES .....	18
Temporary Overhead Power Source.....	18
Temporary Underground Power Source.....	20
Temporary CT Metering.....	23
RESIDENTIAL POWER SERVICES (Single Lot, Multi-Family and Development) .....	24
Street Lighting.....	24
Joint Trench.....	24
Meter Sets.....	25
Choosing the Right Service Voltage.....	25
Meter Locations.....	26
Service Laterals (installed by CORE).....	34
Multiple Meter Installations.....	36
Specifications for Single-Phase 120/240V 3-Wire Meter Housings.....	39
Additional Requirements for 1Ø Underground Feed Residential Meter Housings.....	40

Additional Requirements for 120/208V 1Ø Hookups .....	40
Fault Current Levels and Standard KVA Size Transformers.....	43
COMMERCIAL/INDUSTRIAL POWER SERVICES .....	44
Street Lighting .....	44
Joint Trench.....	44
Meter Sets.....	44
Meter Locations.....	45
Multiple Meter Installations.....	51
Cable Limits for Three-Phase Pad-Mounted Transformers.....	53
Cable Limits for Single-Phase Pad-Mounted Transformers .....	53
Fault Current Levels and Standard KVA Size Transformers.....	53
Specifications for Single & Three-Phase Self-Contained Meter Housings (120/240V 1Ø, 3-Wire; 120/208V, 3Ø, and 277/480V 3Ø 4-Wire).....	55
Specifications for Meter Location and Installation .....	56
Three-Phase Services: 120/240V, Four-Wire Delta .....	58
Three-Phase Self- Contained Services: 277/480V .....	58
Three-Phase Services, Above 200 Amps.....	62
Manufacturer Drawings Required for Services Over 200 Amps.....	62
CURRENT TRANSFORMER (CT) / POTENTIAL TRANSFORMER (PT) METERING.....	63
GLOSSARY .....	79
<i>DRAWING LIST</i> .....	81
SMALL GENERATION INTERCONNECTION – <a href="http://www.CORE.coop/my-cooperative/renewables">www.CORE.coop/my-cooperative/renewables</a>	

## PROCESSING NEW SERVICE APPLICATIONS

---

There are two separate phases in the processing of each new service application. Each of the two phases requires that the applicant complete certain steps. This may involve supplying information about the requirements for electric service to CORE or completing certain actions at the construction site. In all cases, a delay in providing information needed for engineering or construction will delay the availability of electric service. Therefore, it is important that information is provided as needed, and all steps are completed as quickly as possible. This guideline is provided to assist the applicant with this process. Some requests may have unusual aspects not specifically described here. **Additionally, please make sure to contact the Engineering Services Team for any service upgrades.**

### Phase 1 – Engineering

Initial contact with CORE will open a work order, which identifies the owner as an applicant for new service. The information required in STEP 1 may be provided by phone, email, or in person at our office. A *Contract Authorization* form will be submitted to the applicant requesting the items listed within STEP 1. Upon receipt of the completed and signed *Contract Authorization* with proof of ownership and payment of the design fee, the work order will be released to engineering for assignment.

### STEP 1

- Owner name to appear on all accounts
- Owner's current mailing address
- Street address of property, if available
- Legal description of property to which service is required
- Owner/builder telephone numbers, email, etc.
- Amperage required
- Payment of applicable design fee
- Proof of ownership (Warranty Deed, Property Tax Statement, etc.)
- Any distributed generation (solar, wind, etc.) interconnection requirements.

For commercial, industrial, and large residential services:

- Copy of engineered electric one-line diagram and panel schedules
- Copy of site plan, drainage, grading and utility site plan – PDF and CADD format
- Total electric demand (kW)
- Largest motor(s) and type of motor starting to be used
- Size and quantity of service entrance conductors

The engineer will contact the applicant at the phone numbers provided and arrange an on-site meeting to discuss the service requirements and explain CORE's policy and procedures. During the on-site meeting, the applicable items in STEP 2 will be discussed. Be prepared to show plans and drawings to the engineer. A recorded plat of the property may be required. It may be necessary for the applicant to obtain right-of-way if the routing of the power line crosses a property on which CORE does not have an easement. The engineer will instruct the applicant in this regard, when necessary. The engineer will design, route, and stake the line extension at that time or later in certain situations.

## **STEP 2**

- Survey/location of property pins, including corner, points of line and road right-of-way, as required
- Location of well, septic system, and leach field
- Location of driveway or other access
- Location of structures
- Location of the meter
- Electric service requirements: voltage, amp size, phase
- Right-of-way acquisition
- Recorded Plat

## **Phase 2 – Contract and Construction**

When the design is complete, the engineer will contact the applicant with an estimated cost and copy of construction print for review. A construction contract will be sent to the applicant with an estimated cost that is valid for 60 days. If redesigns are required, payment of an additional design fee may be required. If the construction contract expires, the work order will be canceled and a new work order will be required with an additional design fee. The items shown within STEP 3 are required before a job can be released for construction.

## **STEP 3**

- Signed construction contract
- Payment of total amount due
- Signed and notarized easements and/or filed final plat, if required
- Payment of outstanding balances on other accounts, if required
- Posting of the street address or addresses on the property

Following construction of distribution facilities, CORE will set a meter in accordance with the stipulations shown in STEP 4. Typically, the meter can be set within three to ten working days following the receipt of the inspector's approval of the temporary or permanent meter inspection. Other permitting requirements may apply to some jobs.

## STEP 4

- Establishment of a billing account per each metered location
- Meter loop constructed to current CORE specifications
- Meter loop constructed in location approved by CORE
- Meter inspection approved by the Electrical Inspector
- Service order issued to set meter and energize service

## ELECTRIC SAFETY AND CODE CLEARANCES

---

It is the policy of CORE to operate the transmission and distribution electric system with the highest degree of care and safety for the public and CORE employees. To ensure the care and safety needed for an electrical distribution system, the National Electrical Safety Code (NESC) is used for design, construction, maintenance, and operation of the electrical transmission and distribution system by CORE. The current National Electrical Safety Code in effect at the time of distribution installation will apply. CORE reserves the right to terminate service without prior notice when hazardous conditions exist.

Contact with electric lines can result in SEVERE INJURY OR DEATH! Federal OSHA standards and Colorado State Statutes require that all equipment be maintained at a minimum distance of twenty feet (20') from 12.47kV and twenty feet (20') from transmission overhead lines.

If work near an overhead electric line is anticipated, contact CORE Operations Department at (720) 733-5555 at least 24 hours in advance for assistance in avoiding contact with any energized facilities.

Any attachments to existing facilities that may violate the minimum clearances as determined by the National Electrical Safety Code must be reported ninety (90) days prior to attaching to CORE's facilities by contacting CORE's Engineering Department at (303) 688-3100.

To comply with NESC requirements, easement and right-of-way grades cannot be changed more than six inches (6") by excavation or filling without prior written approval of all utility companies involved. Full cost of any necessary alteration or relocation of utility lines will be borne by the member requesting the change.

If a violation has already occurred and CORE determines that relocating the existing facilities is necessary, CORE will perform this relocation at the expense of the property owner or party creating the violation.

If CORE determines that relocation is not feasible, other alternatives will be considered; however, CORE will take the steps necessary to protect the safety of

the public and the electric facilities at the expense of the party creating the clearance violation.

Maps of CORE facilities are not generally provided to the public. If required for engineering, maps may be requested through the Utility Notification Center by dialing 811.

## LOCATES FOR UNDERGROUND UTILITIES

---

### **CALL BEFORE YOU DIG! 1-800-922-1987 or 811**

- Contact the Utility Notification Center by dialing 811 or visit [www.uncc.org](http://www.uncc.org), before you dig.
- Trained service personnel will locate CORE's underground electric facilities (up to the meter) at no cost.
- **Member owned underground facilities (beyond the meter) will require a private locating service at the requestor's expense.**
- Do not start grading or excavation work until all underground facilities have been located.

**CALL UTILITY NOTIFICATION  
CENTER OF COLORADO  
1-800-922-1987 or 811  
CALL 3 BUSINESS DAYS IN ADVANCE  
BEFORE YOU DIG, GRADE, OR EXCAVATE  
FOR THE MARKING OF UNDERGROUND  
CORE UTILITIES.**

## **RIGHT-OF-WAY, EASEMENTS, AND ACCESS**

---

### **Types of Easements**

CORE generally uses two types of easements:

- A platted/dedicated easement is provided to CORE by virtue of a dedication statement for every platted subdivision. A five-foot (5') side lot and fifteen-foot (15') front lot easement are typical platted easements. In some cases, a rear lot design will require a dedication of ten-foot (10') easement on the rear lot. However, if the subdivision is served by overhead facilities or if larger easements are necessary, CORE will require additional easements.
- CORE requires the member to grant, at no cost to CORE, easements for power lines and any associated equipment prior to installation of any CORE facilities. In the event CORE is required to cross property other than that of the member requesting service, the new member will be required to obtain all easements. Please note that all easements require a legal survey to be provided for documentation.

### **Access to Utility Easements**

Periodically CORE may need to access facilities within the utility easement. Therefore, CORE requires reasonable access to facilities. To access facilities, CORE may use existing roads, driveways and/or entrance thru fenced yards.

### **General Restrictions on Easements/Right-of-Way**

- To comply with NESC requirements, easement and right-of-way grades cannot be changed more than six inches (6") by excavation or filling without prior written approval of all utility companies involved. Full cost of any necessary alteration or relocation of utility lines will be borne by the member requesting the change.
- Fences and landscaping may be installed on utility easements, except where such materials would prevent access to utility lines or conflict with utility equipment.
- Permanent structures or buildings are not allowed within the utility easement, below CORE's overhead conductors, or above CORE's underground cables.

## Landscaping on Utility Easements (Working Space)

- *Call the Utility Notification Center, toll-free, 1-800-922-1987 or 811, prior to digging.*
- No improvements that conflict with or interfere with construction, maintenance or access to utilities shall be placed within the utility easements. Prohibited improvements include, but are not limited to, permanent structures, buildings, counter-forts, decks, stairs, window wells, air conditioning units, private gas lines, parking lot lights, retaining walls/components and other objects that may interfere with the utility facilities or access, use and maintenance thereof. Prohibited improvements may be removed by the entities responsible for providing the utility services. The owners of the property subject to or adjacent to the utility easements shown herein are responsible for the maintenance and operation of such areas, which does not include utility lines and related facilities. When the owner(s) or adjacent owners fail to adequately maintain such utility easements, including the removal of prohibited improvements, the maintenance, operation, reconstruction and removal shall be at the cost of the owner(s).
- For Transmission and Distribution Right of Way Planting Guidelines, please refer to Appendix A.

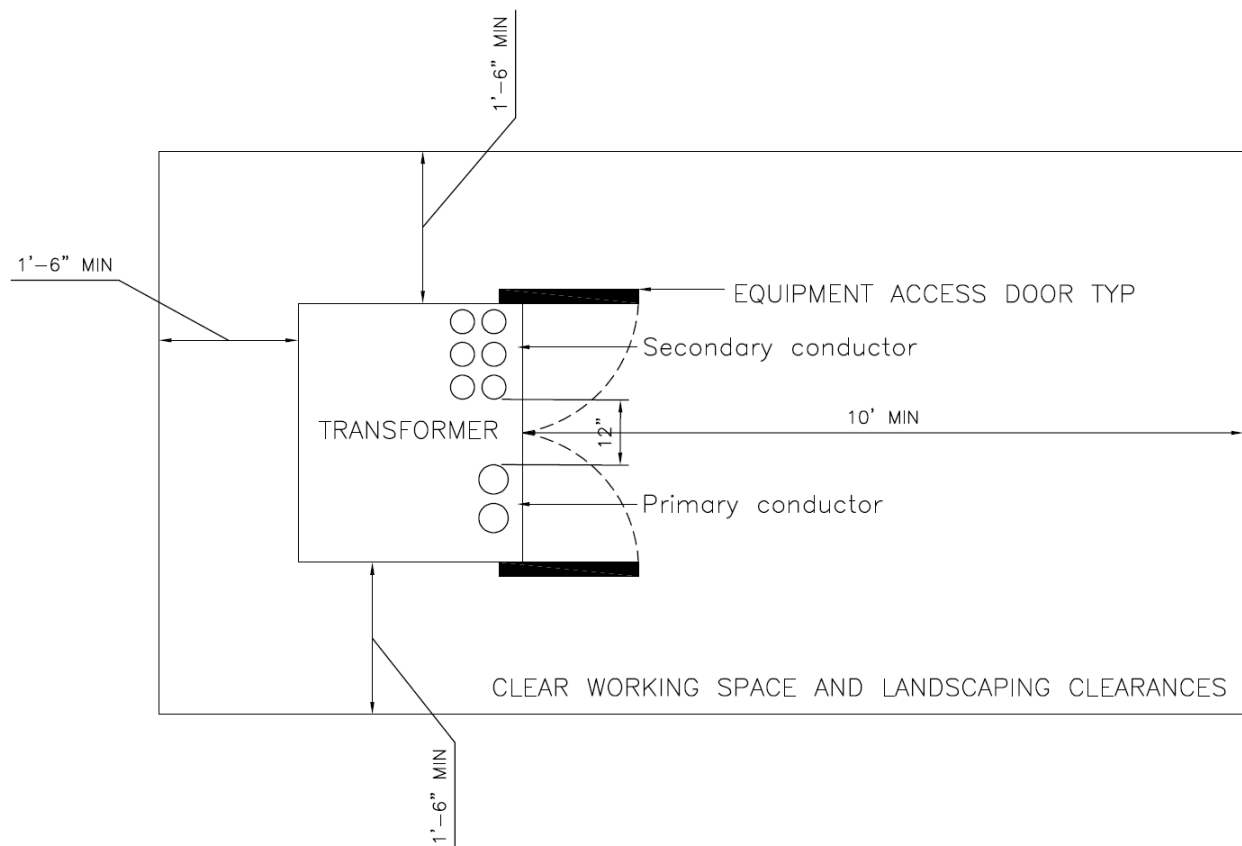
A minimum clearance is required around all vaults and pad mounted equipment. A distance of 10 feet must be kept clear in front of all service doors. Equipment side clearances vary from 1.5 to 3 feet.

- Trees should be planted far enough away from pad mounted equipment so that, at maturity, overhanging branches will not obstruct a crane setting or removing equipment. It is best to select trees with supple branches that can be tied back without risk of breaking.
- Responsibility for upkeep and any landscaping maintenance in a utility easement is borne by the property owner/member.
- In the event a fence must be removed by CORE to repair or maintain electrical facilities, reasonable effort will be made to replace existing fencing when repairs are completed.
- Landscaping, fences, and other obstructions shall not encroach upon the working space clearances.
- A clear and level working space shall be equal to the full width of the equipment and shall extend a minimum of 10 feet from the compartment opening for pad mount equipment. Roadways and drive-throughs are not considered working space.
- A level pad cannot be more than 18" above surrounding finished grade.

## Single-phase Pad Mounted Equipment

- Single-phase pad mounted equipment shall have a minimum of 1'-6" of clear working space on the sides and rear of the equipment, and 10' of level ground in front of the equipment. CORE's written approval is required for any variance. Roadways and drive-throughs are not considered working space. Secondary conduits shall be located in the front right quadrant of the transformer and will maintain a minimum separation of 12" between primary and secondary conduits. Secondary cables shall not encroach into the primary side of the transformer.

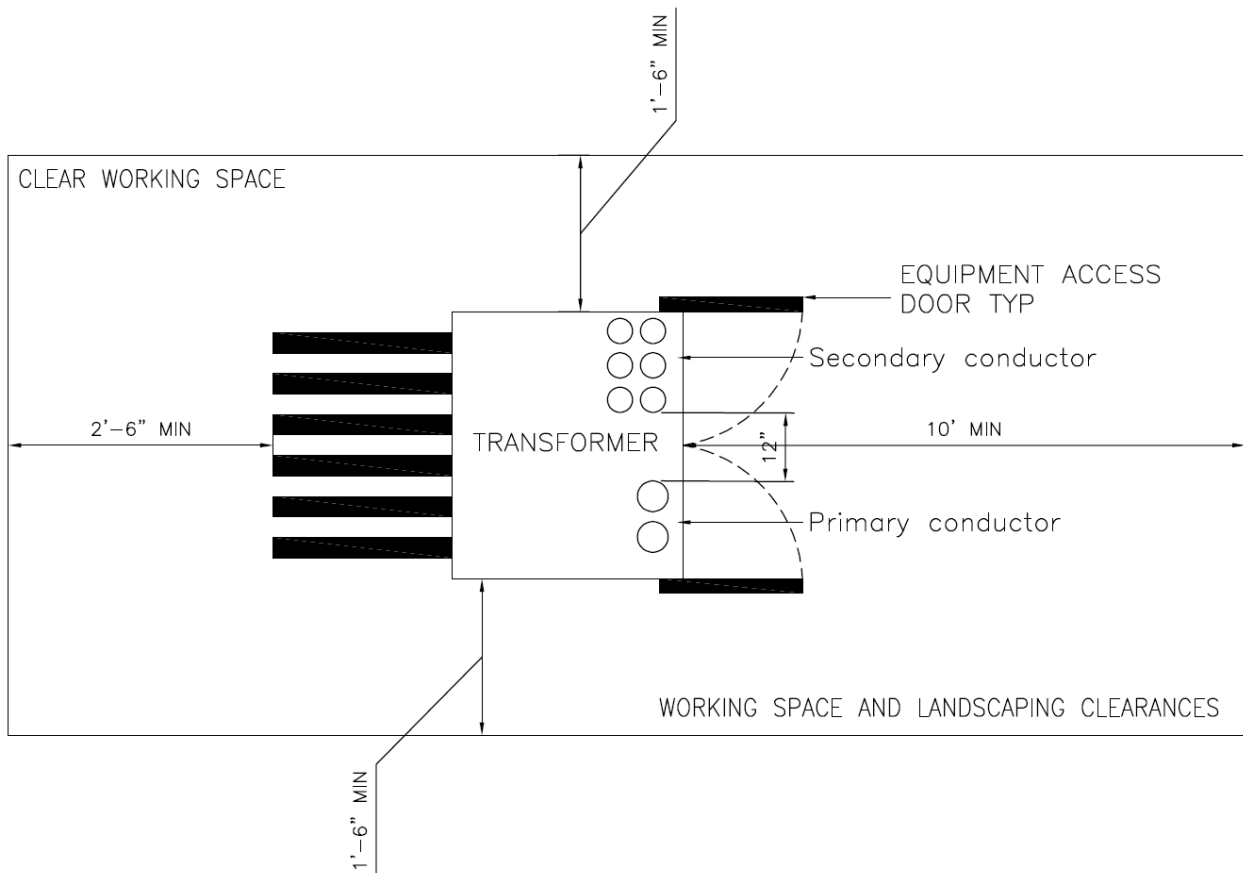
### PLAN VIEW OF SINGLE-PHASE PAD MOUNTED EQUIPMENT WORKING SPACE AND LANDSCAPING CLEARANCES



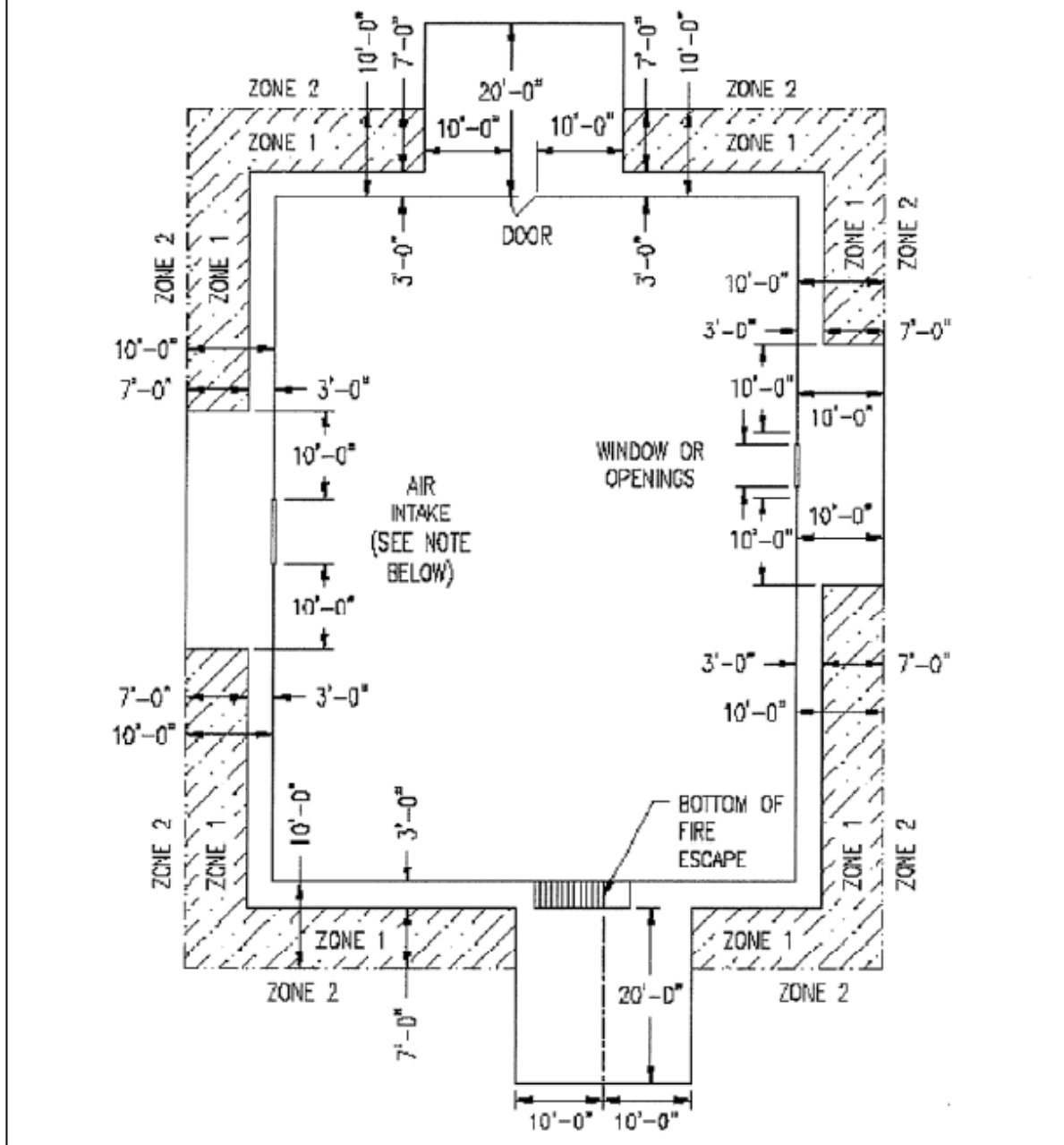
## Three-phase Pad Mounted Equipment

- Three-phase pad mounted equipment with cooling fins shall have a clear working space minimum of 1'-6" on the sides, 2'-6" at the rear of the equipment, and 10' of level ground in front of the equipment. CORE's written approval is required for any variance. Roadways and drive-throughs are not considered working space. Secondary conduits shall be located in the front right quadrant of the transformer and will maintain a minimum separation of 12" between primary and secondary conduits. Secondary cables shall not encroach into the primary side of the transformer.

### PLAN VIEW OF THREE-PHASE PAD MOUNTED EQUIPMENT WORKING SPACE AND LANDSCAPING CLEARANCES



## PAD-MOUNTED TRANSFORMER LOCATION MAP AND MINIMUM CLEARANCES



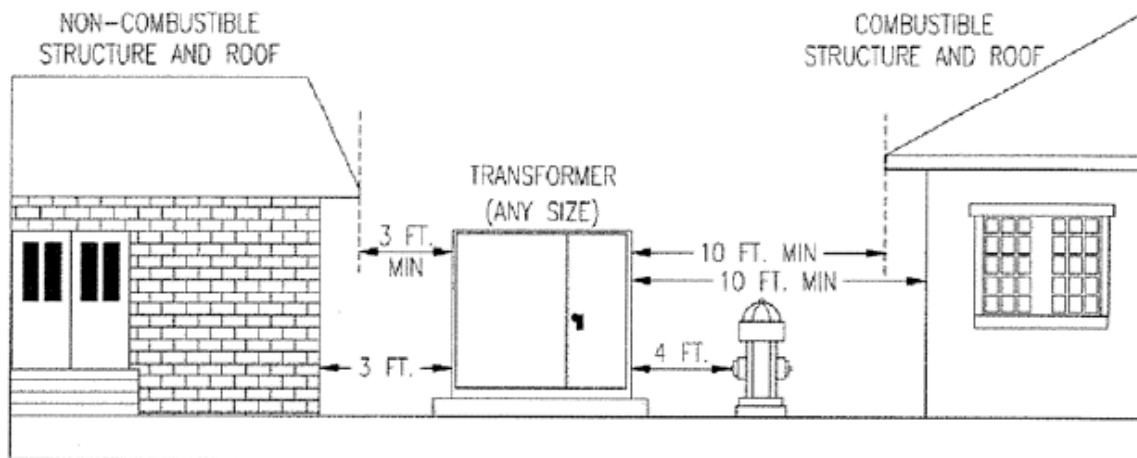
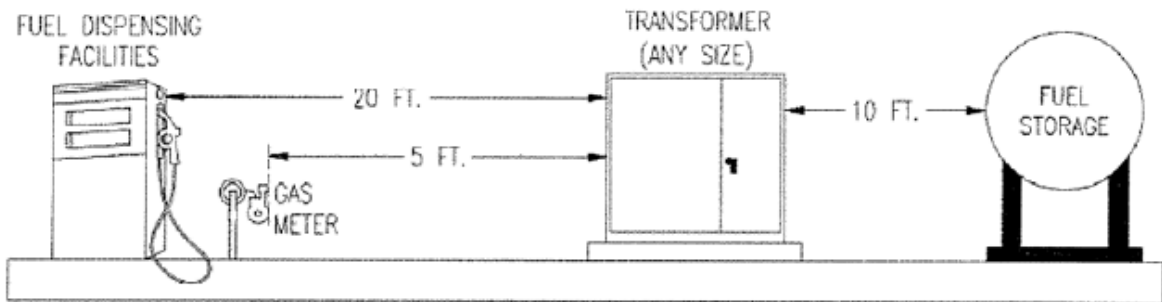
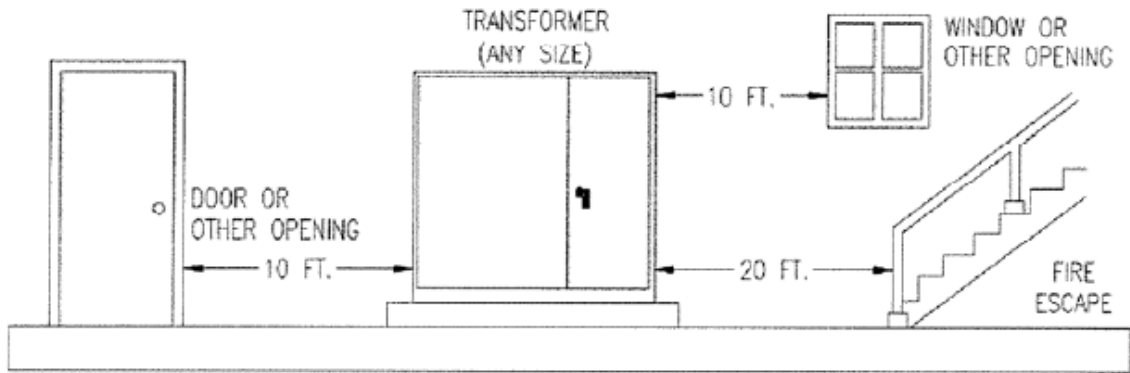
**NOTES:**

ZONE 1 (Shaded Area) = Minimum distance for pad-mounted transformer from a non-combustible building.

ZONE 2 = Minimum distance for pad-mounted transformers from a combustibile building.

Air intake clearance must be a minimum of 25 feet diagonal from transformer (not shown). additional clearances are shown on Minimum Distances for Pad-Mount Transformers drawing.

## MINIMUM DISTANCES FOR PAD-MOUNT TRANSFORMERS



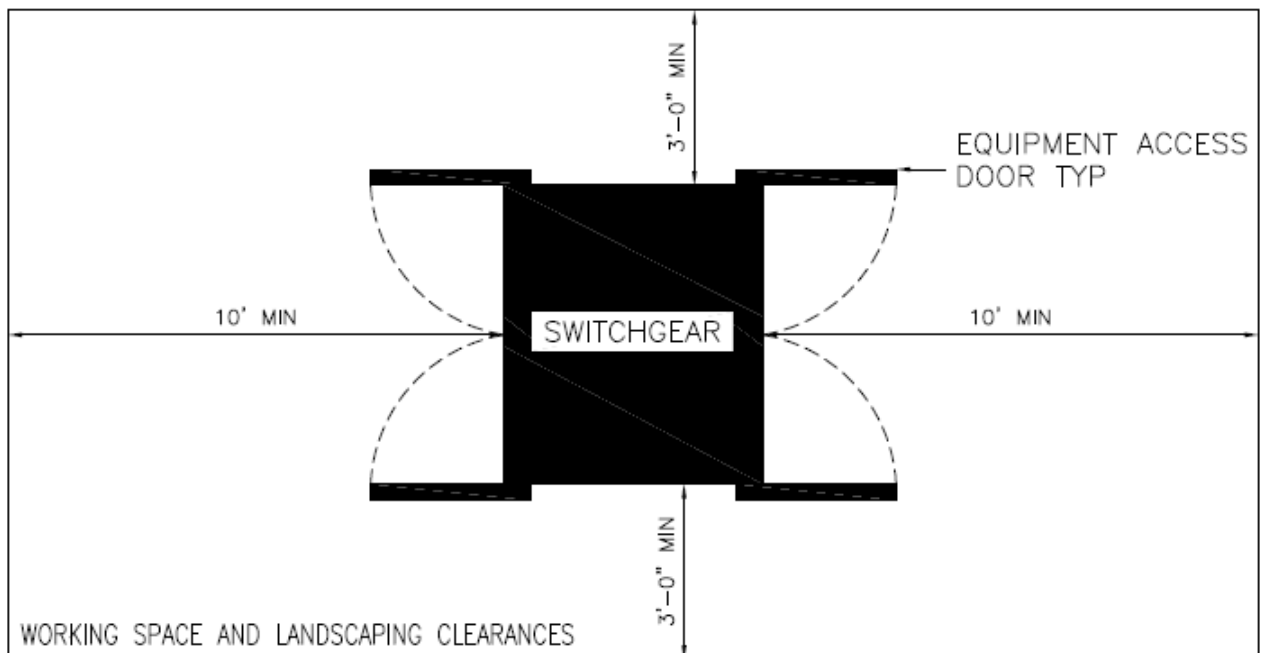
**NOTES:**

The minimum separation distances shown may not meet insurance property loss prevention requirements. Builder/developer is responsible for confirming these minimum separation distances and informing CORE engineering personnel prior to construction if additional clearances are needed.

### Pad Mounted Switchgear

- Pad mounted air switchgear shall have a minimum clear working space of 3' on the sides of the equipment, and 10' of level ground in front and rear of the equipment. CORE's written approval is required for any variance. Roadways and drive-throughs are not considered working space.

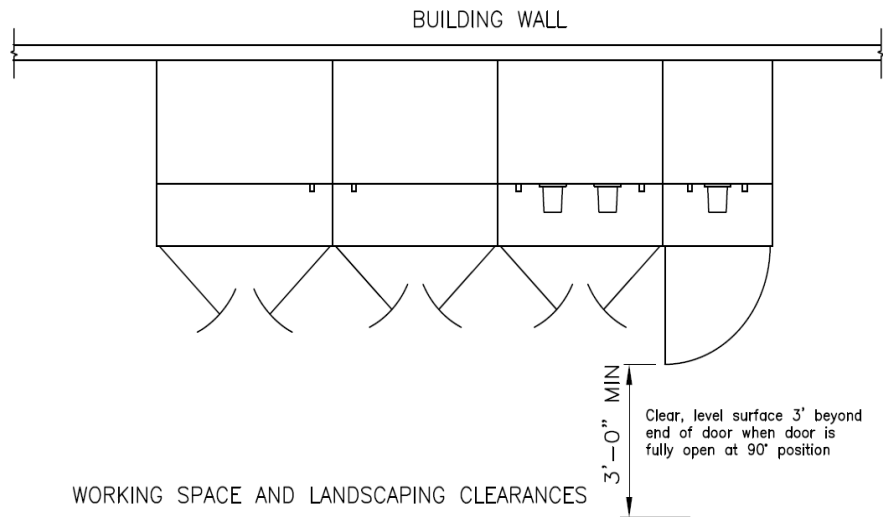
### PLAN VIEW OF PAD MOUNTED SWITCHGEAR WITH DOORS ON BOTH SIDES WORKING SPACE AND LANDSCAPING CLEARANCES



## EUSERC Cabinets

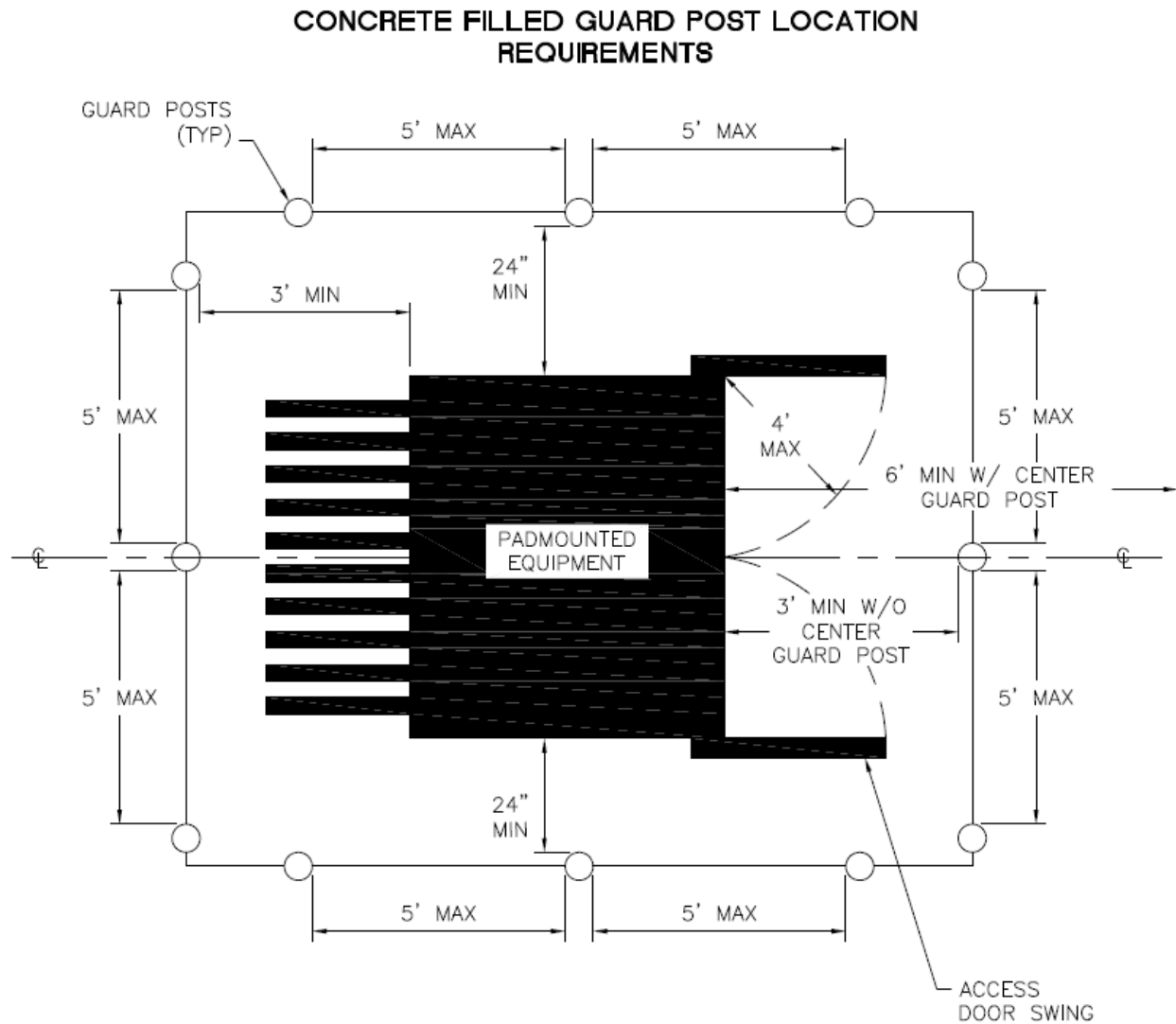
- EUSERC Cabinets shall have a minimum of 3' clear, level space beyond the door when fully open at 90-degree position. This equipment is typically placed parallel to the building wall.

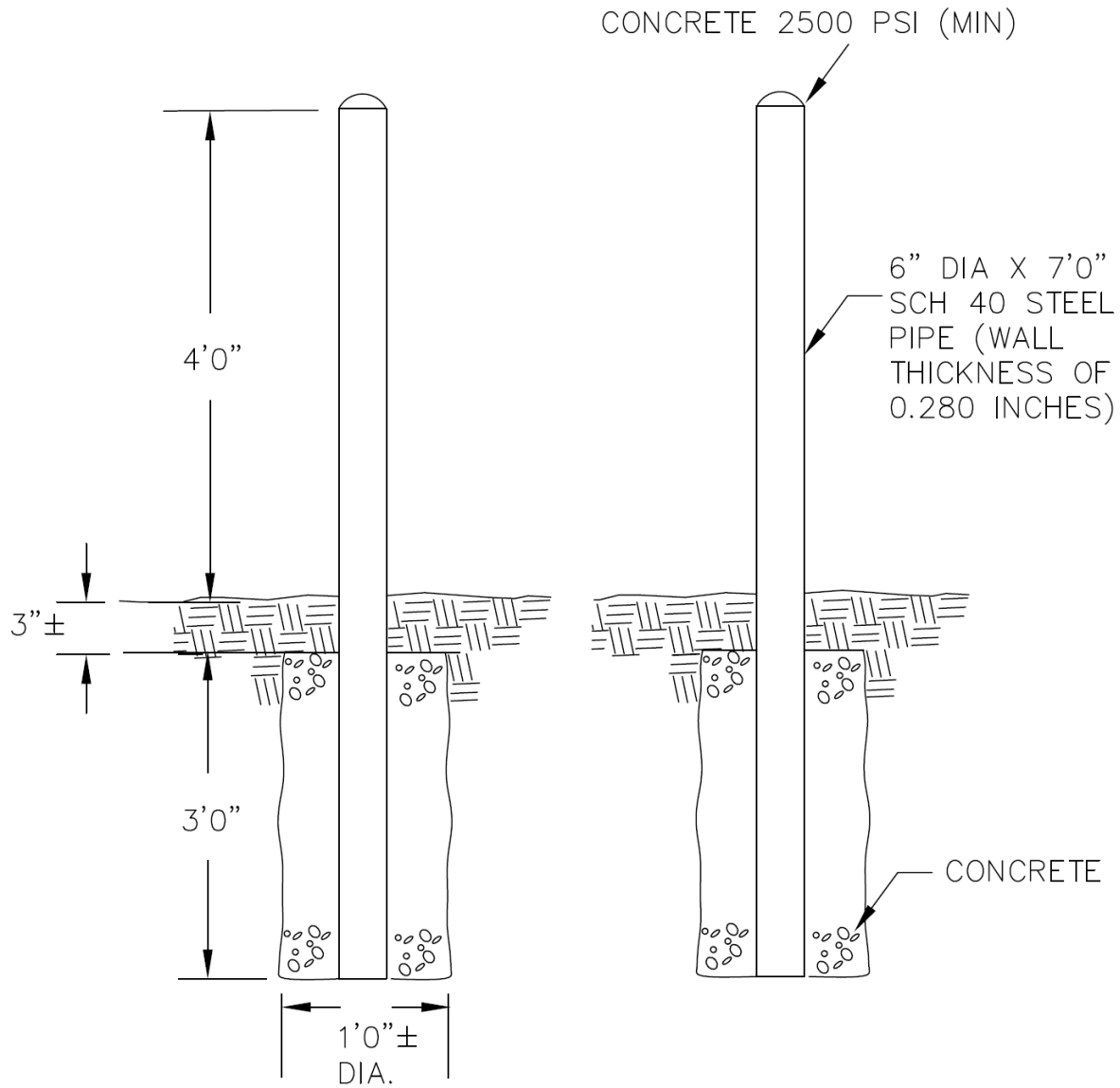
PLAN VIEW  
COMMERCIAL MULTI-METERING EUSERC CABINET  
WORKING SPACE AND LANDSCAPING CLEARANCES



## Guard Posts for Pad Mounted Equipment

Cement filled guard posts shall be installed around pad mounted equipment that is exposed to vehicular traffic. The member may be required to supply and install these guard posts to protect the pad mounted equipment. These posts may be set to surround the equipment at a maximum of 5' between posts, with a minimum clearance of 2' on the sides and 3' at the front and rear of the equipment. If a center post is placed in front of the doors to the equipment, a minimum clearance of 6' is required.





NOTES:

1. CLEAN AND PRIME ALL EXPOSED METAL. PAINT UNIT WITH GLOSS OR SEMI-GLOSS CANARY YELLOW EXTERIOR ACRYLIC.
2. UNIT SHALL NOT OBSTRUCT OR INTERFERE WITH EQUIPMENT OPERATION OR ACCESS TO EQUIPMENT.
3. FILL PIPE COMPLETELY WITH CONCRETE. TOP OF PIPE SHALL HAVE CONCRETE ROUNDED TO SHED WATER.

## TEMPORARY POWER SERVICES

---

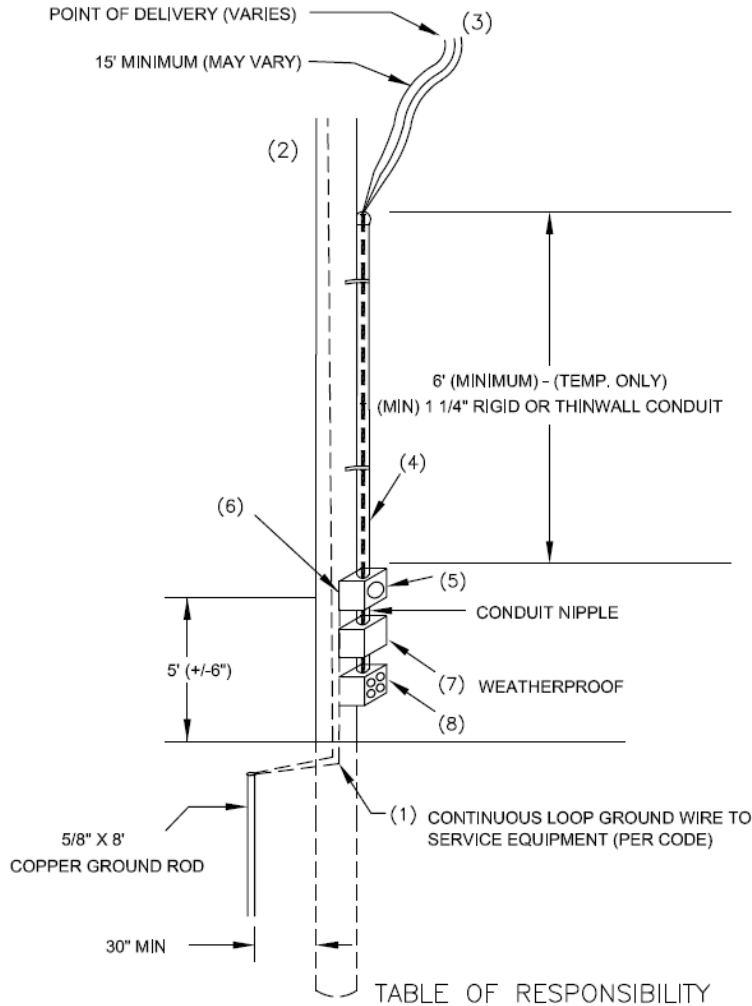
A temporary service connection may be installed to supply electricity for a limited time (up to 18 months). Services used for construction purposes, fairs, carnivals, holiday lighting, street decorations, or other uses are considered temporary.

- A billing account must be established for each specific location with CORE.
- A temporary electric meter will be installed upon receipt of the inspector's approval of the temporary or permanent meter loop inspection.
- It is the responsibility of the applicant to obtain such an inspection and release.
- The meter will not be installed unless it meets CORE's specifications.
- Contact Engineering Services (303) 688-3100, ext. 5302 with any questions.
- Anyone making unauthorized meter bypasses may be prosecuted.

### Temporary Overhead Power Source

- A temporary service is installed on a CORE pole, preferably one equipped with a transformer.
- A temporary service may not be installed on a pole with risers or other special equipment on it.
- If a meter pole is available when temporary service is required, the applicant shall avoid installing two services by constructing a permanent service loop on the meter pole and using it for temporary purposes (check for county regulations).

# OVERHEAD – TEMPORARY CONSTRUCTION SINGLE PHASE (400 AMPS OR LESS) THREE PHASE (200 AMPS OR LESS)



### NOTES

1. MAGNETIC CIRCUIT BREAKERS REQUIRED FOR ALL SINGLE-PHASE SERVICES UP TO 400A. FUSED DISCONNECTS NOT ALLOWED.
2. ALL METER LOOP CONDUITS ARE REQUIRED TO BE METALLIC.
3. METER LOOP MUST BE INSTALLED ON CORE OWNED POLE, PREFERABLY WITH A TRANSFORMER, OR THERE WILL BE A CHARGE TO INSTALL A TRANSFORMER.
4. IF A METER POLE IS INSTALLED PRIOR TO TEMPORARY SERVICE, CORE RECOMMENDS CUSTOMER INSTALL PERMANENT METER LOOP FOR TEMPORARY POWER.
5. TEMPORARY SERVICE WILL BE ALLOWED A MAXIMUM OF 18 MONTHS.
6. CORE RESERVES THE RIGHT TO REFUSE TO CONNECT ANY UNSAFE SERVICE INSTALLATION.
7. PLEASE CHECK WITH YOUR LOCAL INSPECTOR FOR NATIONAL, STATE, OR LOCAL CODE REQUIREMENTS. THIS INFORMATION MAY NOT BE SUPPLIED BY CORE.
8. ANYONE MAKING UNAUTHORIZED METER BYPASSES MAY BE PROSECUTED.
9. ALL CONNECTIONS TO CORE SERVICE MUST BE MADE BY CORE PERSONNEL ONLY.

TABLE OF RESPONSIBILITY

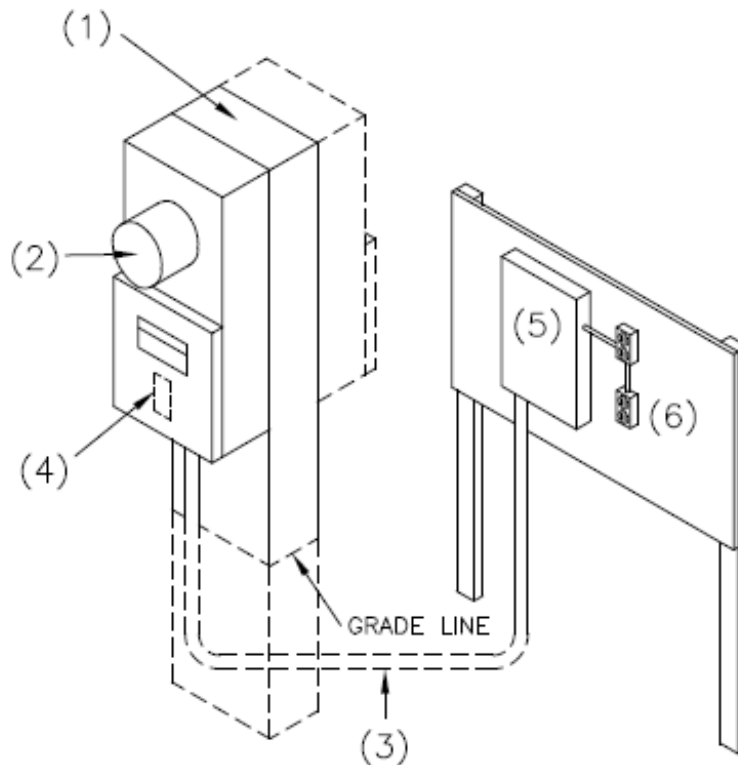
KEY NO.	MATERIAL OR WORK DESCRIPTION	MATERIAL	INSTALLATION	OWNERSHIP AND MAINTENANCE
1	CONTINUOUS LOOP GROUND WIRE TO SERVICE EQUIPMENT (PER CODE)	CUSTOMER	CUSTOMER	CUSTOMER
2	POLE & GROUND ROD	CORE	CORE	CORE
3	SERVICE CONNECTION	----	CORE	----
4	CONDUIT & CONDUCTOR TO SERVICE ENTRANCE	CUSTOMER	CUSTOMER	CUSTOMER
5	METER HOUSING, RINGLESS (CORE REQUIRED SPECS.) 200 AMP	CUSTOMER	CUSTOMER	CUSTOMER
6	WIRING/ CONNECTIONS	----	CUSTOMER	----
7	MAIN & GROUND-Fault BREAKER REQ'D	CUSTOMER	CUSTOMER	CUSTOMER
8	WEATHER PROOF RECEPTACLES	CUSTOMER	CUSTOMER	CUSTOMER

0071

## Temporary Underground Power Source

- Areas with underground facilities may have metering pedestals, power pedestals, or pad-mounted transformers available.
- A metering pedestal will contain the permanent meter even while the temporary loop is in use. For this reason, a main breaker large enough to protect the permanent service must be installed in the metering pedestal before a temporary service may be connected.
- CORE supplies and installs jumpers from meter socket to breakers.

TEMPORARY UNDERGROUND SERVICE  
AT METER PEDESTAL, SINGLE PHASE  
(400 AMPS OR LESS)



NOTES:

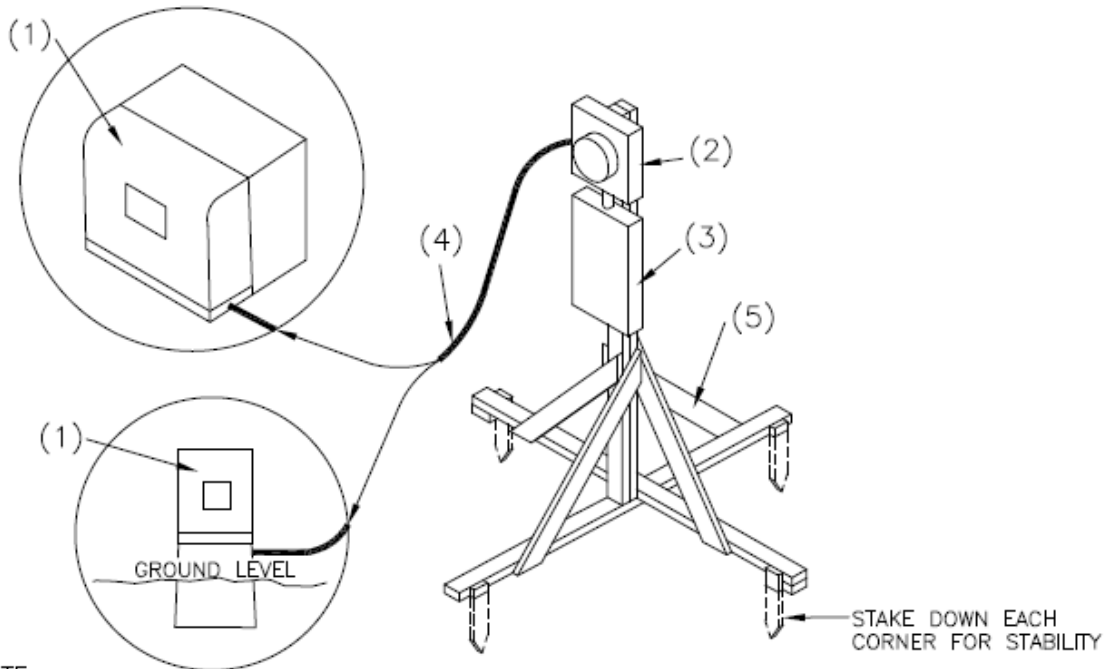
1. THE MAIN BREAKER IS REQUIRED IN THE METER PEDESTAL. IF SECOND BREAKER WILL BE REQUIRED FOR PERMANENT SERVICE, BOTH BREAKERS MUST BE INSTALLED AT TEMPORARY STATUS.
2. TEMPORARY METER WILL BE INSTALLED IN METER PEDESTAL.
3. SERVICE ADDRESS MUST BE PROMINENTLY DISPLAYED ON TEMPORARY SERVICE INSTALLATION.
4. ALL CONNECTIONS TO CORE EQUIPMENT MUST BE MADE BY CORE PERSONNEL.
5. TEMPORARY SERVICE WILL BE ALLOWED FOR A MAXIMUM OF 18 MONTHS.
6. CORE RESERVES THE RIGHT TO REFUSE TO CONNECT ANY UNSAFE INSTALLATIONS.

TABLE OF RESPONSIBILITY

KEY NO.	MATERIAL OR WORK DESCRIPTION	MATERIAL	INSTALLATION	OWNERSHIP AND MAINTENANCE
1	METER PEDESTAL	CORE	CORE	CORE
2	ELECTRIC METER	CORE	CORE	CORE
3	CONDUIT AND SERVICE CONDUCTOR	CUSTOMER	CUSTOMER	CUSTOMER
4	BREAKER(S) IN PEDESTAL	CUSTOMER	CUSTOMER	CUSTOMER
5	BREAKER PANEL	CUSTOMER	CUSTOMER	CUSTOMER
6	CONNECTION, METER HOUSING	CUSTOMER	CUSTOMER	CUSTOMER

- If the source is a power pedestal or power transformer, the temporary stand must be located within 10' of its source. The temporary stand also must be set at the permanent source as designated by CORE's maps.

TEMPORARY UNDERGROUND SERVICE  
AT TRANSFORMER OR SECONDARY TAP ENCLOSURE  
SINGLE PHASE (400 AMPS OR LESS)



NOTE:

1. ALL CONNECTIONS TO CORE DISTRIBUTION EQUIPMENT MUST BE MADE BY CORE PERSONNEL ONLY.
2. CORE RESERVES THE RIGHT TO REFUSE TO CONNECT ANY UNSAFE INSTALLATION.
3. INSTALLATION MUST BE LESS THAN 10 FEET FROM SERVICE PEDESTAL OR RIGHT SIDE OF PADMOUNT TRANSFORMER (FACING FRONT). SERVICE GROUND PROVIDED BY CONNECTION TO DRIVEN GROUND ROD WITHIN CORE PEDESTAL OR TRANSFORMER WHERE PERMITTED BY LOCAL NEC CODE. (NO GROUND ROD SHALL BE DRIVEN WITHIN THE UTILITY EASEMENT).
4. WHERE FLEX CONDUIT ATTACHES TO PEDESTAL OR TRANSFORMER, A SUITABLE CONNECTOR FOR 1 1/2" FLEXIBLE CONDUIT TO 1" KNOCK-OUT MUST BE SUPPLIED BY CUSTOMER.
5. MINIMUM WIRE SIZE 3 #6 AL. OR CU.
6. SERVICE ADDRESS MUST BE PROMINENTLY DISPLAYED ON TEMPORARY SERVICE INSTALLATION.
7. TEMPORARY SERVICE LOCATION IS SUBJECT TO CORE APPROVAL.
8. TEMPORARY SERVICE WILL BE ALLOWED FOR 18 MONTHS.
9. NO MORE THAN TWO TEMPORARY SERVICES SHALL BE ATTACHED TO EACH POWER SOURCE.

TABLE OF RESPONSIBILITY

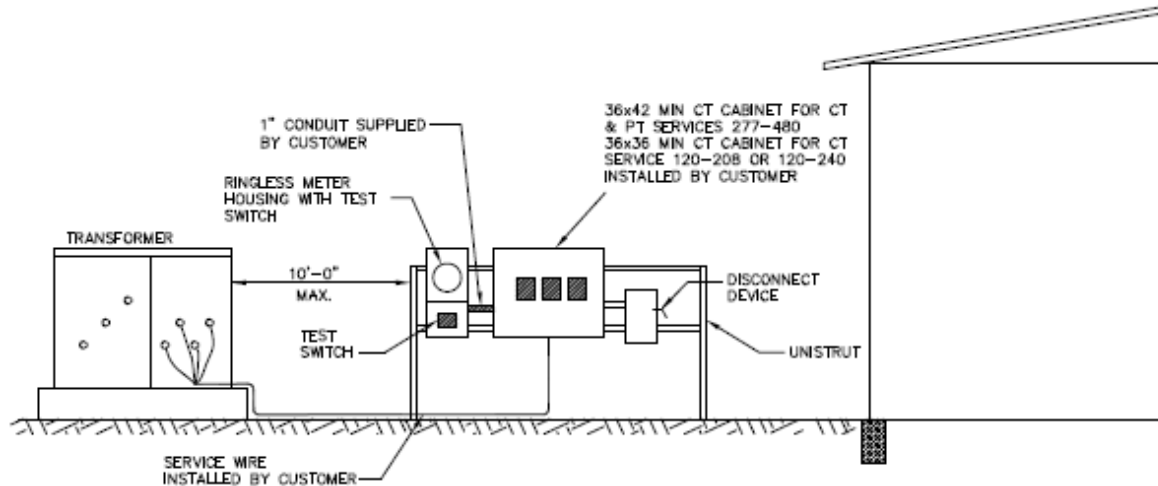
KEY NO.	MATERIAL OR WORK DESCRIPTION	MATERIAL	INSTALLATION	OWNERSHIP AND MAINTENANCE
1	DISTRIBUTION FACILITY TRANSFORMER OR POWER PEDESTAL	CORE	CORE	CORE
2	METER HOUSING, RINGLESS	CUSTOMER	CUSTOMER	CUSTOMER
3	DISCONNECT DEVICE (GROUND FAULT BREAKERS REQ'D)	CUSTOMER	CUSTOMER	CUSTOMER
4	FLEXIBLE CONDUIT AND SERVICE WIRE	CUSTOMER	CUSTOMER	CUSTOMER
5	TEMPORARY STRUCTURE	CUSTOMER	CUSTOMER	CUSTOMER

## Temporary CT Metering

- CT/PT metering is required for single-phase loads greater than 320amp continuous or 400amp peak and three-phase loads greater than 200amp. See Current Transformer – CT and Potential Transformer – PT Metering Section.

The meter housing should be installed within 12” of the CT cabinet and must be on the opposite side of CT cabinet door hinge and level with the top of the CT cabinet.

### TEMPORARY C.T. METER INSTALLATION



	METER SOCKET	# OF CTS	METER	TEST SWITCH	MISC.
CT 1 PHASE	8 TERM.	2 CTS	SINGLE PHASE OR SINGLE PHASE DEMAND	YES	MISC. HARDWARE
CT 208 3 PHASE	13 TERM.	3 CTS	THREE PHASE OR THREE PHASE DEMAND	YES	MISC. HARDWARE
CT 480 3 PHASE	13 TERM.	3 CTS/3 PTS	THREE PHASE OR THREE PHASE DEMAND	YES	MISC. HARDWARE

#### NOTES:

- LOCATION OF SERVICE MUST BE ACCESSIBLE TO CORE AT ALL TIMES.
- CT METER TO BE INSTALLED BY CORE PERSONNEL ONLY.
- CTS MAY BE MOUNTED IN CUSTOMER SUPPLIED CT CAN OR SWITCHGEAR.
- ANY VARIANCE CONTACT METER DEPARTMENT AT CORE
- TEMP. SERVICE SHOULD BE LESS THAN 18 MONTHS
- CT METERING IS REQUIRED FOR SINGLE PHASE SERVICE GREATER THAN 400 AMP (OR 320 AMP CONTINUOUS LOADS), AND THREE PHASE SERVICE GREATER THAN 200 AMP.

## RESIDENTIAL POWER SERVICES (Single Lot, Multi-Family and Development)

---

### Street Lighting

- CORE offers streetlight facilities upon request to serve cities, towns, villages, residential, and commercial consumers of CORE for the installation of streetlights at or near the entrance to consumer-owned property, subdivision lighting, and highway lighting. Two styles of LED ornamental streetlight facilities are used in subdivisions with underground facilities; whereas in areas with overhead facilities; LED lights are placed on wooden poles.
- The cost of installation for a streetlight and electrical feed is typically incorporated into the distribution design of developments. The cost for streetlight facilities will vary depending upon the size of the lots, the desired location of the streetlights, and the electric sources available to serve the new streetlights.
- It will be the responsibility of the property owner or developer to contact the proper city or county authorities for streetlight specifications, as design requirements may vary.
- Should the applicant wish to install ornamental lights that are not within CORE's specifications, they may do so at their own expense. CORE will provide metering points at the applicant's cost and will bill for the actual energy consumption. The applicant will be responsible for the acquisition, installation, and maintenance of all such facilities beyond the metering point.

### Joint Trench

- Subdivisions with underground electrical service frequently have telephone and cable television facilities in the same trench with electrical distribution. The applicant may contact CORE's Engineering Department for information required to coordinate joint trenching of facilities.
- If construction is assigned to CORE's contractor, any contracts or agreements regarding joint trench will be made with that contractor, not CORE. Joint trench facilities are normally used for distribution lines but can include secondary (house) laterals as well.
- Gas and water lines cannot be included in the electrical trench. All utilities requesting joint trench use must be designed and ready to install at the time CORE's facilities are scheduled for construction.

## Meter Sets

- The applicant must establish an account for new service. A *New Location Request Form* will be mailed or emailed to the applicant. This form needs to be completed and returned to Engineering Services via mail or by email to [engineeringservices@CORE.coop](mailto:engineeringservices@CORE.coop).
- If the meter is to be used strictly for temporary construction purposes only and then to be removed from the site, the applicant should indicate “temp only” on this form.
- CORE will issue a service order to set the meter upon receipt of the inspector’s approval of the temporary or permanent meter loop inspection.
- Please allow three to ten business days for the meter set to be completed.
- A deposit in the amount of an estimated 60-day bill may be required. Such deposit may be in addition to any advance, contribution, or guarantee provided for in the extension regulations.

## Choosing the Right Service Voltage

CORE offers their members the voltages shown in the table below.

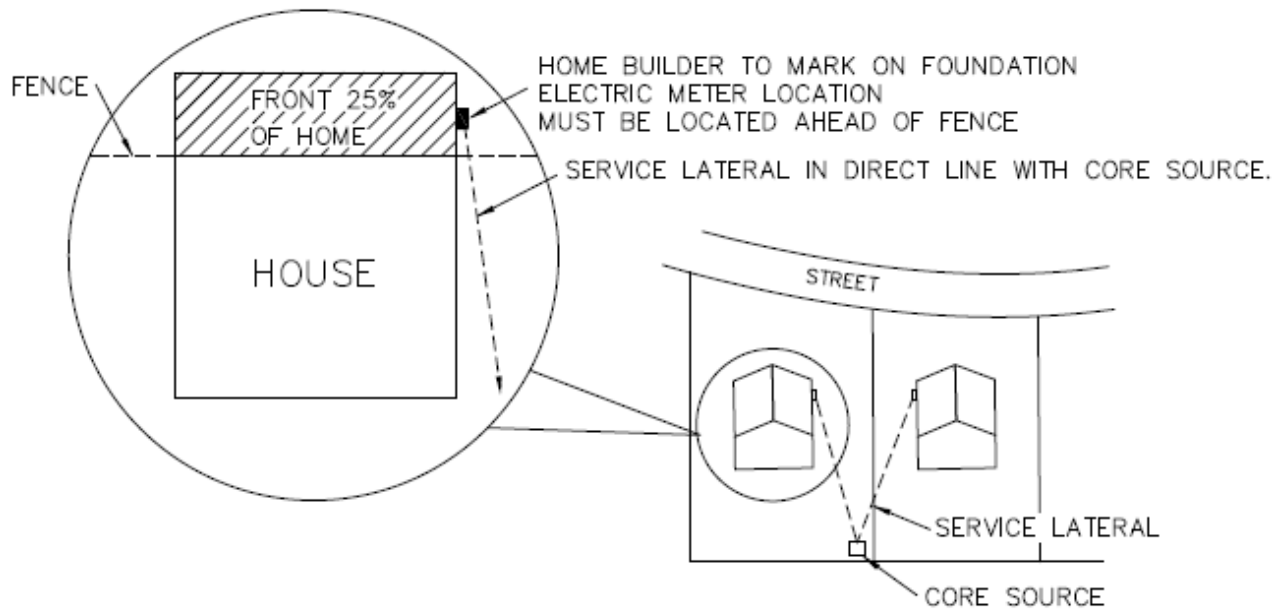
Service Type	Voltage
Single-phase	120/240V, 3-wire*
Three-phase	120/208V, 4-wire 277/480V, 4-wire
Primary Single-Phase	7200V, 3-wire
Primary Three-Phase	7200/12470V, 4-wire

\*Available for loads to a maximum demand of 100kW. Larger loads may be served, if determined feasible by a CORE engineer. All motors must be rated 10 HP or less.

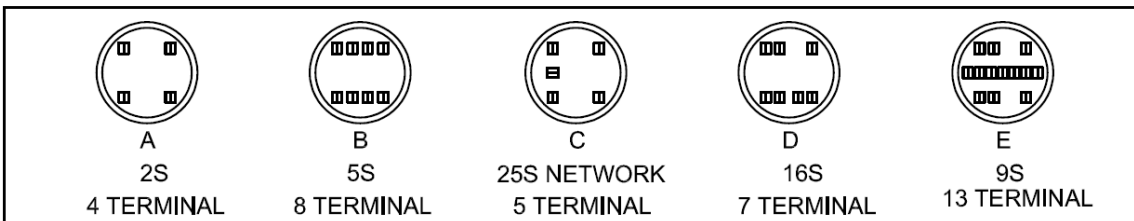
## Meter Locations

- An electric meter will not be located within any area considered hazardous or inside where reading, testing, or servicing of the meter may become impracticable.
- A clear and level working space of 4' must be maintained around the meter at all times. Roadways and drive-throughs are not considered working space.
- The meter shall be located 5' (+or-6") at center of glass, above clear and level ground.
- The meter will be located on the front 25% of the house, *ahead of any fences*, and as designated by CORE's electrical design to serve that location.
- Where meters, originally installed in accessible locations satisfactory to CORE, are rendered inaccessible by virtue of alterations or new construction by the owner of the premises or his agents, such meters shall be reinstalled at a point designated by CORE at the expense of the property owner.
- The location of meters and metering equipment shall be designated by CORE's Engineering Department personnel. No wiring dependent upon the meter location should be started until such location has been established. For any conflicts with meter location please contact Engineering Services immediately.
- Service disconnect shall be located within 30" and externally accessible from meter housing.
- Meter housings (must be ringless) are not provided by CORE and all terminations (line side and load side) in the meter socket are the responsibility of the member (electrician). See Specifications for Meter Housings, Locations, and Installations.
- Only one meter will be issued per structure. Contact CORE's Metering Department for detailed information.

## METER AND CONDUIT LOCATION DETAIL



\* Meter Base/Socket Configurations

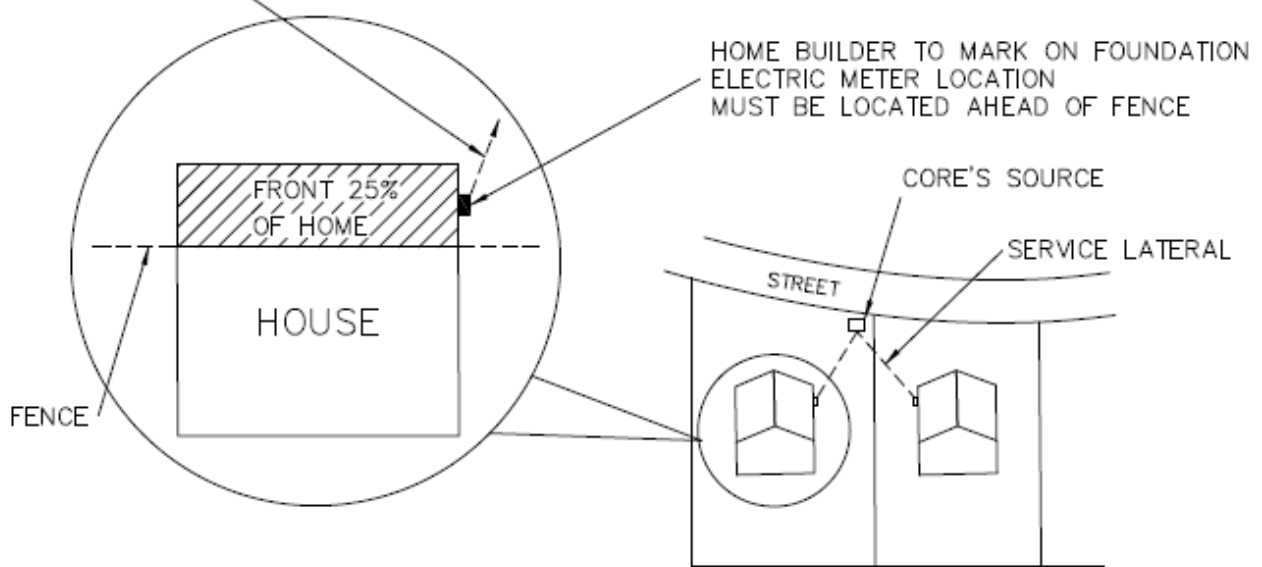


\*RINGLESS REQUIRED ON ALL SERVICES

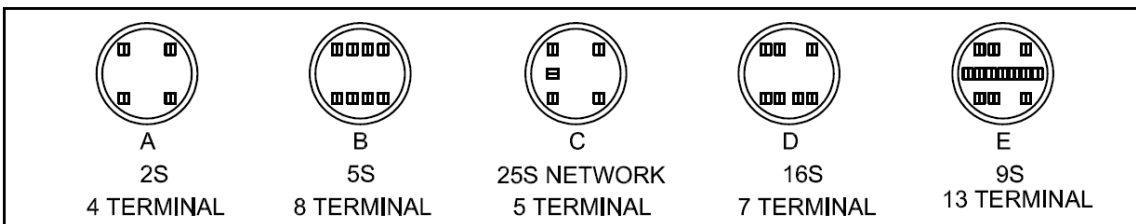
\*(SEE FULL BOOK)

# FRONT LOT CONSTRUCTION METER AND CONDUIT LOCATION DETAIL

SERVICE LATERAL IN DIRECT LINE WITH CORE'S SOURCE.



\* Meter Base/Socket Configurations

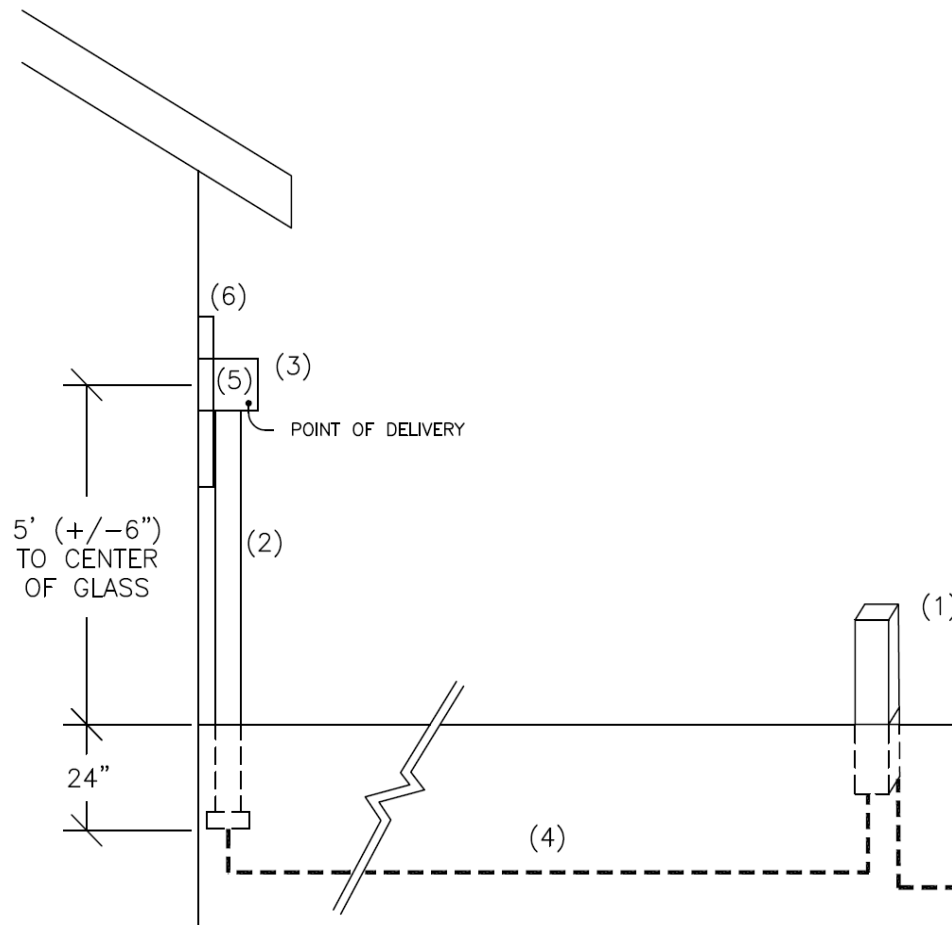


\*RINGLESS REQUIRED ON ALL SERVICES

\*(SEE FULL BOOK)

- If the service is underground to a power pedestal, CORE will install a secondary lateral to the house and the meter will be located on the house.

METER ON BUILDING  
UNDERGROUND RESIDENTIAL SINGLE-PHASE  
SERVICE (400 AMPS OR LESS)



- NOTES:
1. SERVICE DISCONNECT SHALL BE LOCATED WITHIN 30" AND ACCESSIBLE FROM METER HOUSING.
  2. LEVER BYPASS REQUIRED FOR 400 AMP SERVICES.

TABLE OF RESPONSIBILITY

KEY NO.	MATERIAL OR WORK DESCRIPTION	MATERIAL	INSTALLATION	OWNERSHIP AND MAINTENANCE
1	DISTRIBUTION FACILITIES (TRANS. OR PED.)	CORE	CORE	CORE
2	CONDUIT SERVICE ENTRANCE	CUSTOMER	CUSTOMER	CUSTOMER
3	METER HOUSING, RINGLESS	CUSTOMER	CUSTOMER	CUSTOMER
4	CONDUCTOR, SERVICE LATERAL	CORE	CORE	CORE
5	CONNECTION, METER HOUSING	---	CORE/CUST.	---
6	DISCONNECT	CUSTOMER	CUSTOMER	CUSTOMER

If the service is underground to a meter pedestal, the meter is located within the meter pedestal, and the applicant will be required to install the secondary lateral to the house. Loads greater than 320 amp continuous will require CT metering and adhere to the EUSERC standards.

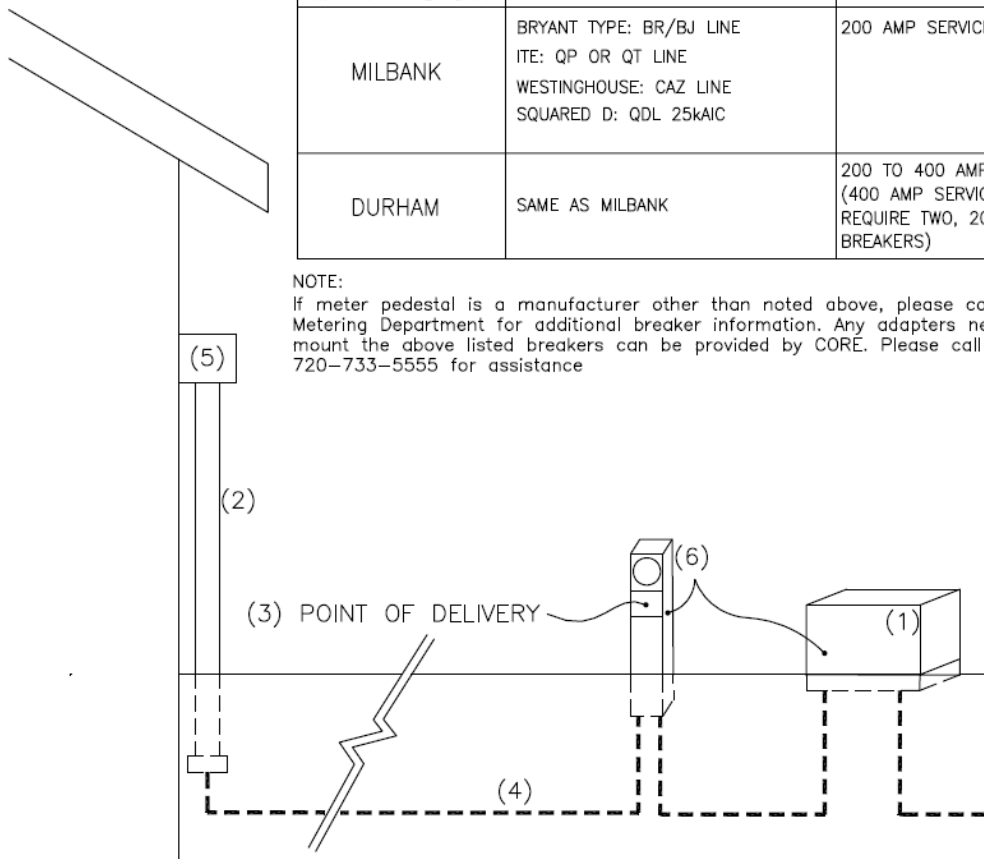
## METER PEDESTAL UNDERGROUND RESIDENTIAL SINGLE-PHASE SERVICE (400 AMPS OR LESS)

BREAKER TYPE (3R ENCLOSURE)

TYPE METER PEDESTAL	BREAKER TYPE	COMMENTS
MILBANK	BRYANT TYPE: BR/BJ LINE ITE: QP OR QT LINE WESTINGHOUSE: CAZ LINE SQUARED D: QDL 25kAIC	200 AMP SERVICE
DURHAM	SAME AS MILBANK	200 TO 400 AMP (400 AMP SERVICES REQUIRE TWO, 200 AMP BREAKERS)

**NOTE:**

If meter pedestal is a manufacturer other than noted above, please contact CORE's Metering Department for additional breaker information. Any adapters needed to mount the above listed breakers can be provided by CORE. Please call 720-733-5555 for assistance



**NOTES:**

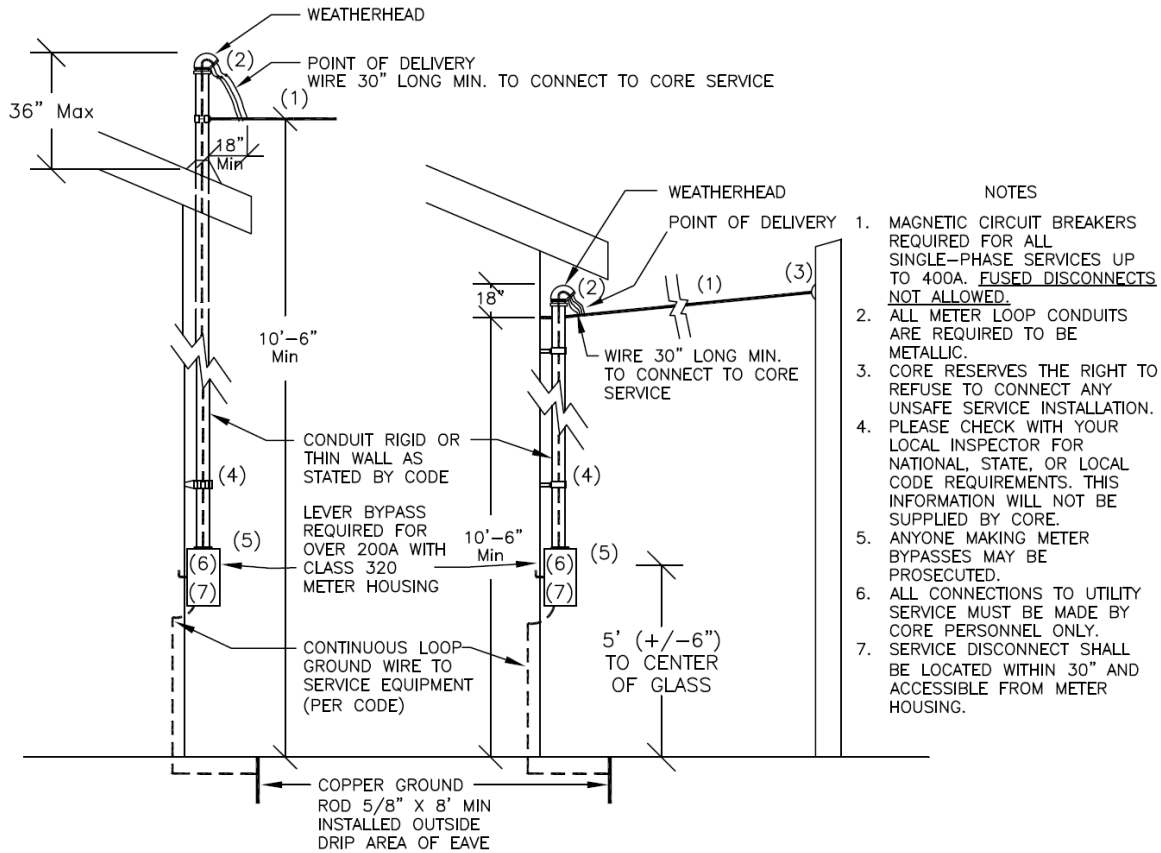
1. FINAL CONNECTIONS FROM BREAKER TO METER MUST BE MADE BY CORE'S PERSONNEL.
2. CONTINUOUS LOADS GREATER THAN 320 AMP SHALL MEET CORE'S EUSERC METERING REQUIREMENTS.
3. LEVER BYPASS REQUIRED FOR 400 AMP SERVICES.
4. NEC REQUIRES COMMUNICATION PEDESTALS TO MAINTAIN A MINIMUM CLEARANCE OF 3'-6" IN FRONT OF AND 30" ACROSS THE WIDTH OF THE METER PEDESTAL.

TABLE OF RESPONSIBILITY

KEY NO.	MATERIAL OR WORK DESCRIPTION	MATERIAL	INSTALLATION	OWNERSHIP AND MAINTENANCE
1	DISTRIBUTION FACILITIES	CORE	CORE	CORE
2	CONDUIT SERVICE ENTRANCE	CUSTOMER	CUSTOMER	CUSTOMER
3	BREAKER(S) IN PEDESTAL	CUSTOMER	CUSTOMER	CUSTOMER
4	CONDUCTOR, SERVICE LATERAL	CUSTOMER	CUSTOMER	CUSTOMER
5	PANEL CONNECTION	---	CUSTOMER	---
6	METER PEDESTAL	CORE	CORE	---

- If the service is overhead to the house, the meter will be located on the house.

## SINGLE-PHASE OVERHEAD RESIDENTIAL (200 TO 400 AMPS)



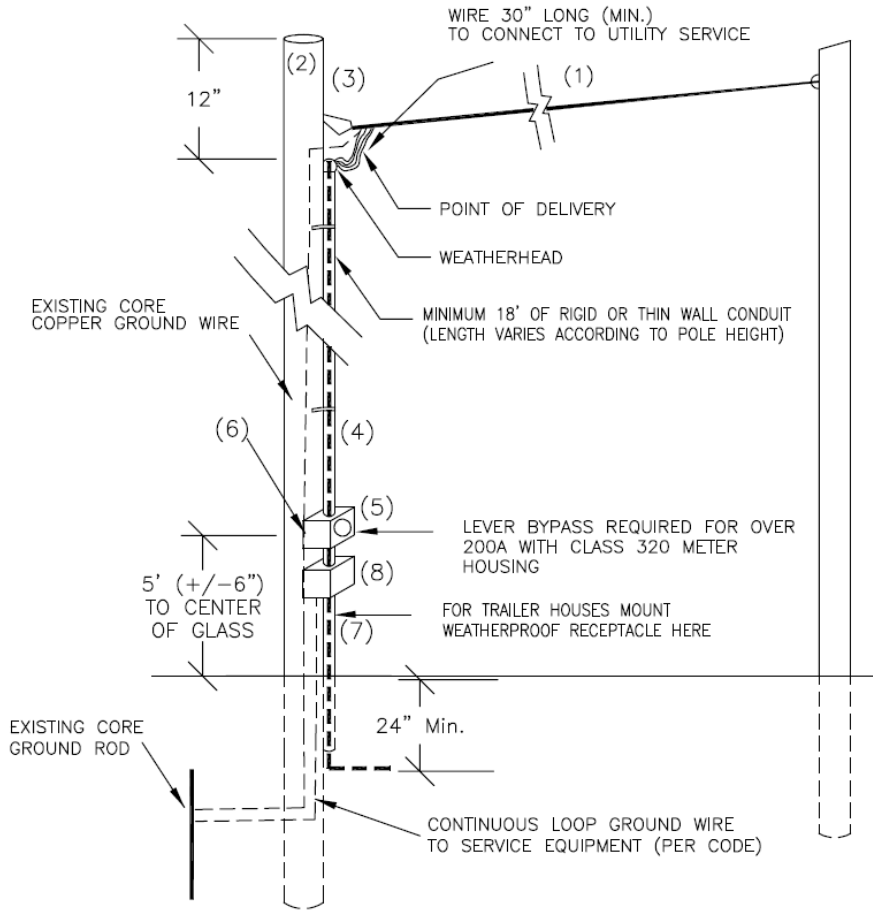
- NOTES
1. MAGNETIC CIRCUIT BREAKERS REQUIRED FOR ALL SINGLE-PHASE SERVICES UP TO 400A. FUSED DISCONNECTS NOT ALLOWED.
  2. ALL METER LOOP CONDUITS ARE REQUIRED TO BE METALLIC.
  3. CORE RESERVES THE RIGHT TO REFUSE TO CONNECT ANY UNSAFE SERVICE INSTALLATION.
  4. PLEASE CHECK WITH YOUR LOCAL INSPECTOR FOR NATIONAL, STATE, OR LOCAL CODE REQUIREMENTS. THIS INFORMATION WILL NOT BE SUPPLIED BY CORE.
  5. ANYONE MAKING METER BYPASSES MAY BE PROSECUTED.
  6. ALL CONNECTIONS TO UTILITY SERVICE MUST BE MADE BY CORE PERSONNEL ONLY.
  7. SERVICE DISCONNECT SHALL BE LOCATED WITHIN 30" AND ACCESSIBLE FROM METER HOUSING.

TABLE OF RESPONSIBILITY

KEY NO.	MATERIAL OR WORK DESCRIPTION	MATERIAL	INSTALLATION	OWNERSHIP AND MAINTENANCE
1	SERVICE DROP	CORE	CORE	CORE
2	SERVICE CONNECTION	----	CORE	----
3	SERVICE DROP CONNECTION	----	CORE	----
4	CONDUIT AND CONDUCTOR TO SERVICE ENTRANCE	CUSTOMER	CUSTOMER	CUSTOMER
5	METER HOUSING WITH LEVER BYPASS	CUSTOMER	CUSTOMER	CUSTOMER
6	CONNECTION, METER HOUSING	----	CUSTOMER	----
7	DISCONNECT	CUSTOMER	CUSTOMER	CUSTOMER

- If the service is overhead to the meter pole and then underground to the house, the meter will remain on the meter pole, and the applicant will be required to install the secondary to the house.

SINGLE-PHASE OVERHEAD – METER POLE  
RESIDENTIAL  
(200 TO 400 AMPS)



- NOTES
1. THIS LOOP CANNOT BE INSTALLED ON A PRIMARY POLE.
  2. MAGNETIC CIRCUIT BREAKERS FOR ALL SINGLE-PHASE REQUIRED SERVICES UP TO 200A. FUSED DISCONNECTS NOT ALLOWED.
  3. ALL METER LOOP CONDUITS ARE REQUIRED TO BE METALLIC.
  4. CORE RESERVES THE RIGHT TO REFUSE TO CONNECT ANY UNSAFE SERVICE INSTALLATION.
  5. PLEASE CHECK WITH YOUR LOCAL INSPECTOR FOR NATIONAL, STATE, OR LOCAL CODE REQUIREMENTS. THIS INFORMATION WILL NOT BE PROVIDED BY CORE.
  6. ANYONE MAKING UNAUTHORIZED METER BYPASSES MAY BE PROSECUTED.
  7. ALL CONNECTIONS TO CORE SERVICE MUST BE MADE BY CORE PERSONNEL ONLY.
  8. A SECOND METER LOOP MAY BE INSTALLED ON THE OPPOSITE SIDE OR AT 90° TO EXISTING LOOP BUT MUST BE ON A MINIMUM OF 4" STANDOFFS.
  9. SERVICE DISCONNECT SHALL BE LOCATED WITHIN 30" AND ACCESSIBLE FROM METER HOUSING.
  10. NO OTHER EQUIPMENT BESIDES THE MAST(S), METER HOUSING (ALL-IN-ONE ALLOWED), AND SERVICE DISCONNECTS ARE ALLOWED ON THE POLE. NO TRANSFER SWITCHES OR INTERCONNECTION DISCONNECTS SHALL BE ON POLE.
  11. A BRASS TAG WITH ADDRESS OR LOCATION IS REQUIRED ON ALL DETACHED METER HOUSINGS

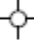
TABLE OF RESPONSIBILITY

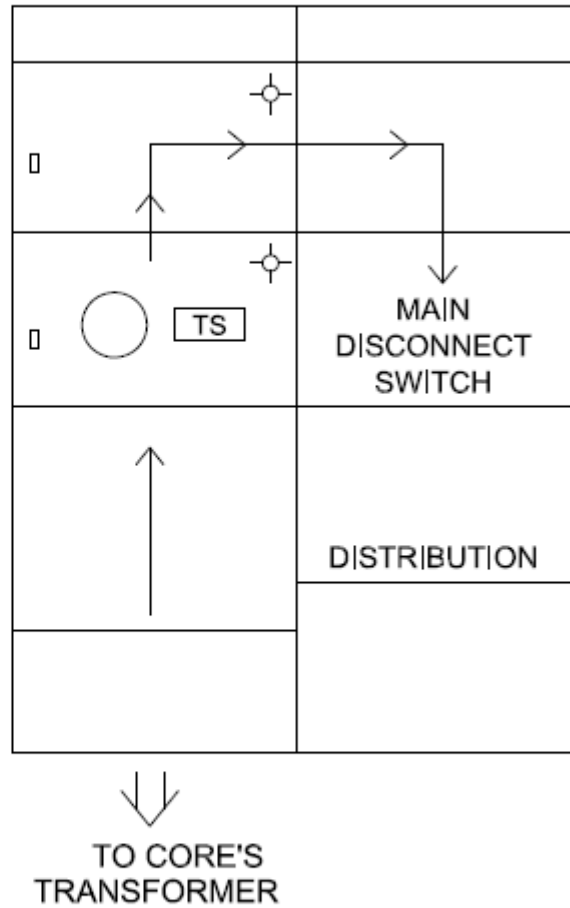
KEY NO.	MATERIAL OR WORK DESCRIPTION	MATERIAL	INSTALLATION	OWNERSHIP AND MAINTENANCE
1	SECONDARY	CORE	CORE	CORE
2	POLE & GROUND ROD	CORE	CORE	CORE
3	SERVICE CONNECTION	----	CORE	----
4	CONDUIT AND CONDUCTOR TO SERVICE ENTRANCE	CUSTOMER	CUSTOMER	CUSTOMER
5	METER HOUSING WITH LEVER BYPASS	CUSTOMER	CUSTOMER	CUSTOMER
6	CONNECTION, METER HOUSING	----	CUSTOMER	----
7	CONDUIT AND CONDUCTOR	CUSTOMER	CUSTOMER	CUSTOMER
8	WEATHERPROOF MAIN DISCONNECT DEVICE	CUSTOMER	CUSTOMER	CUSTOMER

- CT/PT metering is required for single-phase loads greater than 320amp continuous or 400amp peak and three-phase loads greater than 200amp. See Current Transformer – CT and Potential Transformer – PT Metering Section.

## EUSERC SINGLE METER

**NOTES:**

1. ENCLOSED BY LOCKABLE DOORS.
2.  HINGED DOORS  
CT'S & PT'S ARE LOCATED BEHIND METER AND TEST SWITCH.
3. LOCATED OUTDOORS ONLY



UNIT DESIGNATION

- CT-4 240V — 1Ø 240 VOLT OVER 400 AMP
- CT-4 208V — 3Ø 208 VOLT OVER 200 AMP
- CT-4 480V — 3Ø 480 VOLT OVER 200 AMP

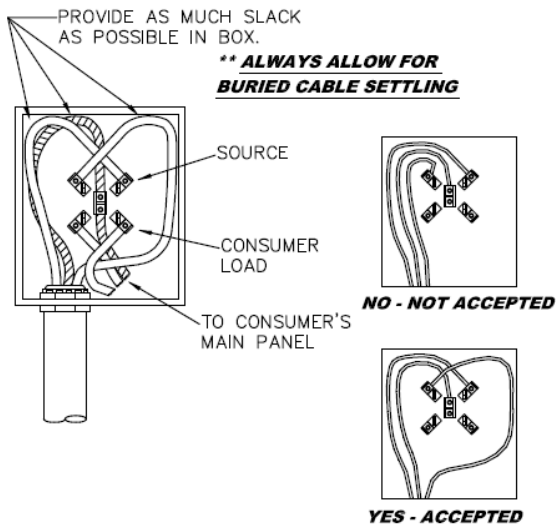
STANDARD ADOPTED - 02/01/1997

## Service Laterals (installed by CORE)

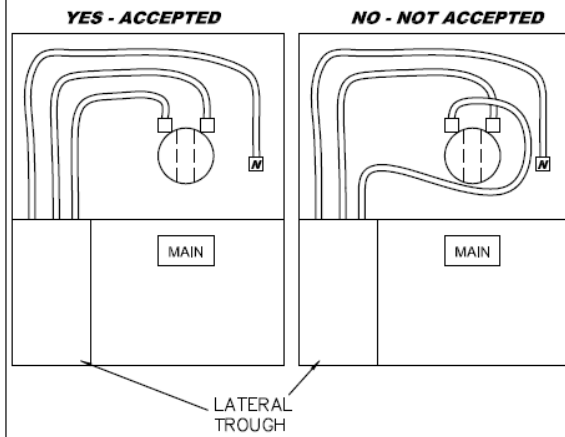
CORE will install the service lateral at such time that the foundation is in and backfilled to final grade ( $\pm 6"$ ), and the location of the meter service has been marked on the foundation. To facilitate the timely installation of the service lateral and eliminate additional costs, please refer to the following procedure.

1. A *New Location Request Form* for the new permanent service must be requested to initiate an account prior to ordering the lateral if an account has not yet been established.
2. Notify CORE to schedule the lateral service installation by submitting a *Builder/Developer Service Lateral Form* to Engineering Services for processing.
3. Mark "E" (with paint) on the foundation wall. Remember the following guidelines when marking the location of the meter socket.
  - a. Meters will not be located in any area considered hazardous or inside where reading, testing, or servicing of the meter may become impracticable.
  - b. Meters will be located on the front 25% of the house, *ahead of any fence*, and in a direct line with CORE's electrical facility designated to serve the house. The meter will be located 5' ( $\pm 6"$ ) to center of glass above final grade.
  - c. A clear and level working space of 4' must be maintained around the meter at all times.

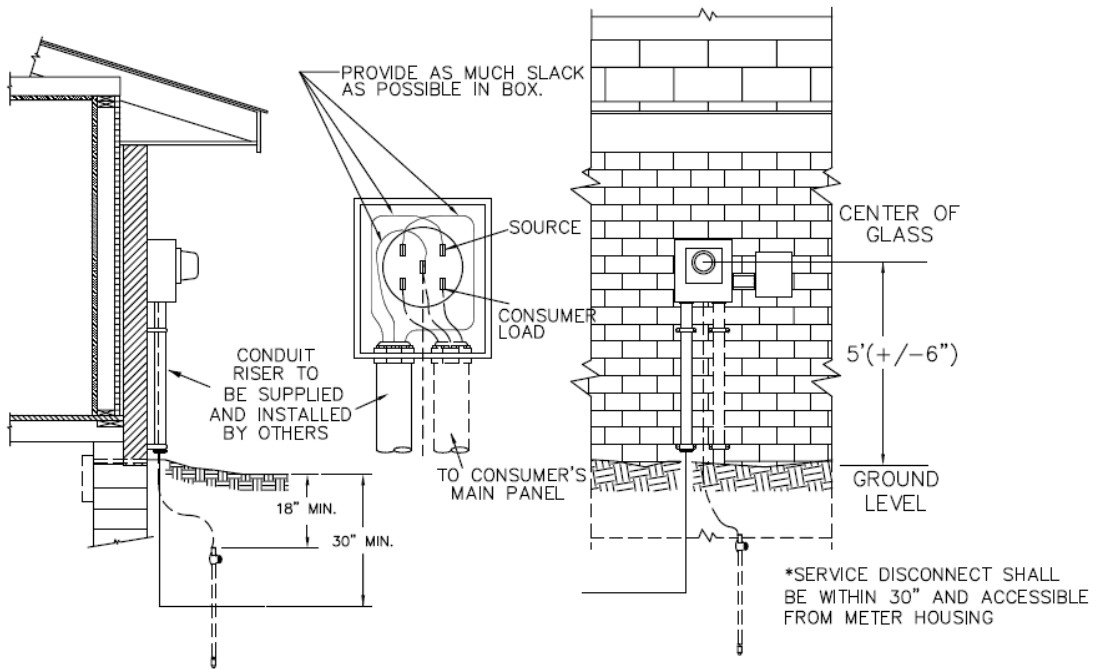
METER WIRING DETAIL



ALL IN ONE METER HOUSING DETAIL



METER HOUSING DETAIL



4. Post the address of the property at the curb or in a visible location for locators and construction crews.
5. CORE will install a lateral from the electric power source to the foundation. The wire will be coiled next to the foundation wall. The electrical service will not be energized. Once the house has been framed and sided, an electrician can then mount the meter socket, install the riser, and terminate the wire (line side and load side) in the meter socket. Note that the wire will be color coded. It is imperative that the electrician leave the color code markings on the wire and ***provide as much slack as possible***.
6. Remove all trash and building material from the area where the service lateral will be located.

Upon notification, CORE will continuously inspect each location to verify readiness (site condition and foundation being marked for electric service entrance, etc.). The installation of the lateral will be scheduled within a period not to exceed two weeks upon verification of site readiness. If CORE's lateral crew arrives at a site that is not ready, rescheduling the lateral could mean an additional two weeks from that date.

The builder/member will be responsible for any costs incurred from:

- Cable cuts and any damages caused by the builder or their subcontractor.
- Reinstallation of lateral due to grade changes, meter housing changes, etc.
- Additional materials, i.e., conduit under retaining walls, extended laterals due to location of house, etc.
- Relocation of lateral from original design (other side of house from its source).

## Multiple Meter Installations

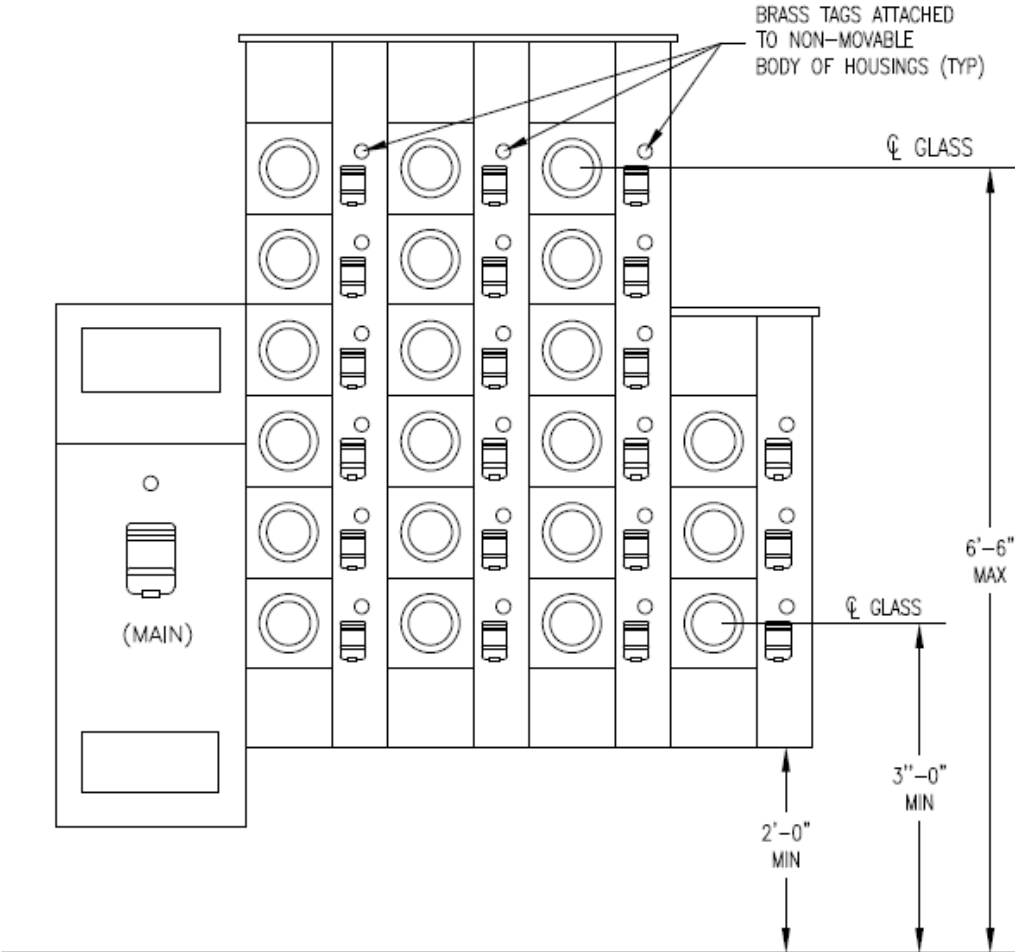
### Multi-family

On residential multi-meter panels, the centerline of the bottom row of meters shall be a minimum of 3' and the top row of meters shall be a maximum of 6'- 6" above finished grade or floor.

Meter base/socket jumpers shall not be used to serve house meters. House meters shall be served in the following manor:

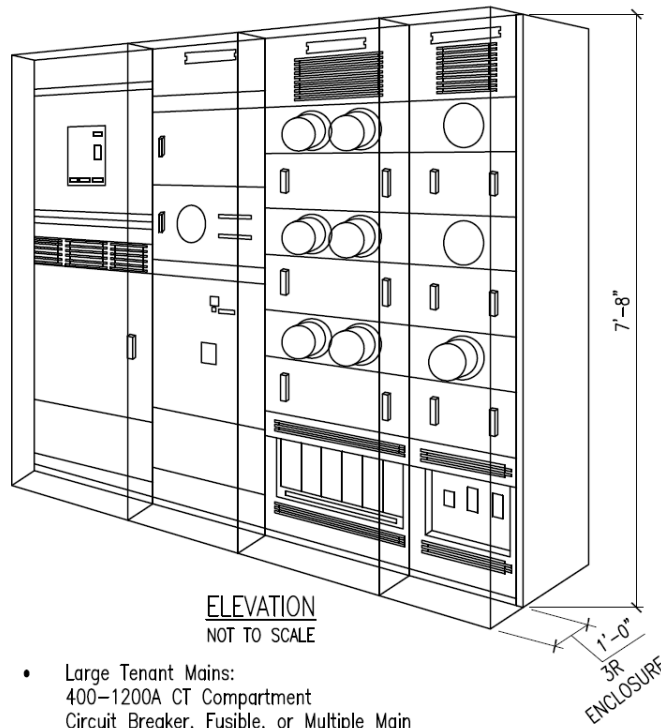
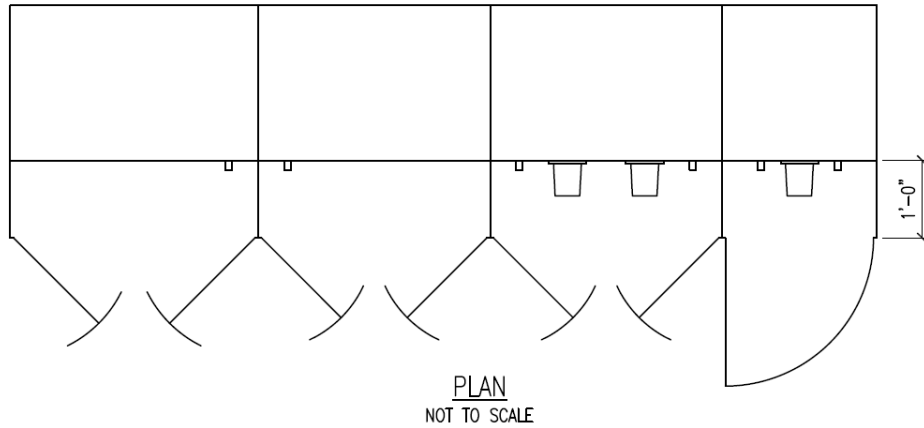
- A dedicated set of service entrance conductors.
- A tap at the bussing of residential multi-meter panels.
- All-in-one factory assembled multi-meter panels.
- Adjustable breaker amperage should not exceed the maximum service amperage.

MULTIPLE METER SINGLE-PHASE  
RESIDENTIAL  
(200 AMPS OR LESS PER METER)



If disconnects are located on different parts of the building (like an apartment complex), mapping placards will be required at the disconnect locations.

**RESIDENTIAL MULTI-METERING  
FOR EUSERC APPLICATIONS**



- UL Listed Service Entrance
- Service:  
120/240V 1 $\phi$ 3W ac  
120/240V 3 $\phi$ 4W ac  $\Delta$  \*Restricted  
120/208V 3 $\phi$ 4W ac  
277/480V 3 $\phi$ 4W ac

- Ampacity 400–4000A
- SCCR 100,000A rms Symmetrical

- Bussing:  
Aluminum (Standard)  
Copper (Optional)

- Enclosure:  
NEMA Type 3R

- Hot Sequence Metering: EXCEPTION  
6 HANDLE RULE

- Mains:  
Underground Pull Section 400–4000A  
Circuit Breaker 400–4000A  
Fusible Switch 400–4000A

- Large Tenant Mains:  
400–1200A CT Compartment  
Circuit Breaker, Fusible, or Multiple Main

- Meter Sections:  
3–Socket or 6–Socket  
Circuit Breaker or Fusible

- Meter Sockets:  
200A Continuous (5–Jaw or 7–Jaw)  
Plug–On Construction

\*Available only on existing services – may require upgrade to 120/208V or 277/480V

4 panels–R

## Specifications for Single-Phase 120/240V 3-Wire Meter Housings

- Housings shall be constructed from metal in accordance with the latest revision of Underwriters' Laboratories (UL) Standard No. 414 for meter sockets. All meter housings shall be UL listed and labeled, and they shall be installed and used in accordance with their labeling.
- The line-side of each socket shall be equipped so proper sealing of the socket can be maintained by padlock. **All sockets shall be ringless.**
- After installation and sealing are completed, the socket shall not have any openings except as permitted by NEMA Type 3R construction.
- Meter housing installations shall be installed per National Electric Code (NEC) procedures and shall be enforced by the local inspection authority. All 200amp meters shall be hot sequenced except as required by the National Electric Code (NEC). See "six-handle" rule.
- Meter housing shall be located 5 feet (+or-6") to center glass above finished grade. On multi-meter panels, the centerline of meters shall be a minimum of 3' and a maximum of 6'-6" above finished grade or floor. The minimum spacing between socket centers shall be 12" horizontally and 12" vertically.
- Maximum amp size to be metered by a self-contained 1Ø meter will not exceed 320amp continuous or 400amp peak loads. All single-phase services in excess of 200 amps require a class 320 meter and lever bypass meter housing unless preapproved by CORE. Class 320 meters have a maximum continuous load rating of 320 amps. Continuous loads greater than 320 amps will require CT metering which will adhere to the EUSERC standards. Members requiring CT metering that is rated at 800 amps or less may choose to use a CT cabinet instead of adhering to the EUSERC standard. See CT Cabinet Specifications for Single-Phase or Three-Phase Service, 800 amps or less.
- Meters shall be protected from mechanical damage and have 4' clear, level working space in front of the meters.
- Factory-built multi-meter equipment cut sheet shall be approved by CORE's Metering Department along with a site diagram and one line.
- Multi-metered services require all sockets to be permanently labeled with an etched metal tag or permanent tag approved by CORE's Metering Department personnel noting the service location that it feeds on the body of housing, not on the removable panel.

- All existing services that are changed or upgraded because of increased loads, transformer size, wire size, interconnection agreements, or reconstruction will be brought up to CORE's current Standards at the member's expense.

Additional requirements may be found on our website ([www.CORE.coop](http://www.CORE.coop)). Approval will be given to meter/load center combinations as well as multiple combinations, which meet all other provisions for meter housings.

It is understood that CORE's approval does not mean approval in any area where there may be a conflict with any national or local code, or where the local inspecting body will have the final authority.

It is also understood that in case of a disaster, CORE will not have spare parts and will not be responsible for the repair.

Questions can be answered by CORE's Metering Department.

### **Additional Requirements for 1Ø Underground Feed Residential Meter Housings**

- Meter housing minimum ampacity must be 200 Amp and capable of terminating 350 MCM aluminum wire.
- Meter will be located on the front 25% of the house, ahead of fence, and in a direct line with CORE's electric facility designated to serve that location.

### **Additional Requirements for 120/208V 1Ø Hookups**

- Fifth (5<sup>th</sup>) terminal is required and will be allowed in the 9 o'clock position only and must be bonded within the housing. Typically used for 1Ø network service fed by 3Ø transformer, 120/208 voltage as approved by CORE.
- The members wiring on three-wire, single-phase installations shall be so arranged that the connected load from one phase to neutral shall not exceed 60 percent of the members total connected load. The use of single-phase loads on three-phase transformers shall not unbalance the current per phase more than ten percent.

## **CT Cabinet Specifications for Single-Phase or Three-Phase Service, 800 amps or less, 120/240V 1Ø, 3-Wire; 120/208V 3Ø, and 277/480V 3Ø 4-Wire**

- Must be a single service/meter location.
- Must be 800 amps or below.
- The cabinet must have a lockable door that is hinged, opens to a minimum of 90 degrees and shall be permanently installed against a wall with adequate mounting hardware.
- CT's in CT cabinet shall be 48" (+or-6") from ground to center of CT at final grade.
- The meter housing should be installed within 12" of the CT cabinet and must be on the opposite side of CT cabinet door hinge and level with the top of the CT cabinet.
- Conduit from the meter housing to CT cabinet shall be 1" metal.
- Meter housing must have provision for test switch:
  - a. Test Switch spacing shall be 5-1/8" depth.
  - b. Auto shunting test switches shall not be used.
- 480V services require space on hinge side of CT cabinet for PT installation:
  - a. Specify on .dwg file (6" space for PT's between CT cabinet wall and bus).
  - b. PT's cannot be covered by any conductors.
- Area shall meet all other metering requirements:
  - a. 3' clear and level working area in front of 90-degree open door for entire width of CT cabinet and meter housing.
  - b. Clear and level working space shall not be a part of a street, drive thru, etc.

- Service disconnect shall be installed within 30" and reachable of metering equipment.
- Drawing package for review shall include:
  - a. Cut sheet for CT cabinet.
  - b. Cut sheet for meter housing.
  - c. Site diagram.
  - d. One-line diagram.
- CT cabinet shall accept bar type CT's only.
- The maximum number of conductors per phase is three (3).
- Minimum dimensions of CT cabinet:
  - a. Single-Phase: 24"W x 30"H x 11"D.
  - b. Three-Phase 208V: 30"W x 30"H x 11"D.
  - c. Three-Phase 480V: 36"W x 30"H x 11"D.
- Warning placards made from plastic laminate mounted with permanent adhesive or rivets shall be provided as follows:
  - a. CT cabinet shall have service address or unit number and voltage.
  - b. Meter housing shall have service address or unit number. May use a brass tag if necessary for space constraints.
  - c. Service Disconnect cabinet shall be labeled with address or unit number and "Service Disconnect".

## Fault Current Levels and Standard KVA Size Transformers

The most commonly used transformers installed by CORE are shown in the tables below. Tables also show the maximum available short-circuit current at the transformer's secondary connection point.

### Maximum short circuit current in amps for single-phase pole mounted transformers

		240 V Windings		120 V Winding	
Secondary Voltage	KVA	Min. % Z	Fault Current	Min. % Z	Fault Current
120/240	10	1.5	2778	1.5	5556
120/240	15	1.5	4167	1.5	8333
120/240	25	1.5	6944	1.5	13889
120/240	37.5	1.5	10417	1.5	20833
120/240	50	1.5	13889	1.5	27778

### Maximum short circuit current in amps for single-phase pad mounted transformers

		240 V Winding		120 V Winding	
Secondary Voltage	KVA	Min. % Z	Fault Current	Min. % Z	Fault Current
120/240	15	1.5	4167	1.5	8333
120/240	25	1.5	6944	1.5	13889
120/240	37.5	1.5	10417	1.5	20833
120/240	50	1.5	13889	1.5	27778
120/240	75	1.5	20833	1.5	41667
120/240	100	1.5	27778	1.5	55556
120/240	167.5	1.5	46528	1.5	93056

## COMMERCIAL/INDUSTRIAL POWER SERVICES

---

### Street Lighting

- CORE offers to provide street lighting on public streets. It shall be the responsibility of the developer to provide lighting in private parking lots.

### Joint Trench

- Subdivisions with underground electrical service frequently have telephone and cable television facilities in the same trench with electrical distribution. The builder/developer may contact CORE's Engineering Department for information required to coordinate joint trenching of facilities.

If construction is assigned to CORE's contractor, any contracts or agreements regarding joint trench will be made with that contractor, not CORE.

- Gas and water lines cannot be included in the electrical trench. All utilities requesting joint trench use must be designed and ready to install at the time CORE's facilities are scheduled for construction.

### Meter Sets

- The applicant must establish an account for new service. A *New Location Request Form* will be mailed or emailed to the builder/member. This form needs to be completed and returned to Engineering Services via mail or by email to [engineeringservices@CORE.coop](mailto:engineeringservices@CORE.coop).
- If the meter is to be used strictly for temporary construction purposes only and then to be removed from the site, the applicant should indicate "temp only" on this form.
- CORE will issue a service order to set the meter upon receipt of the inspector's approval if the temporary or permanent meter inspection.
- Please allow 3 to 10 business days for the meter set to be completed.
- A deposit in the amount of an estimated 60-day bill may be required. Such deposit may be in addition to any advance, contribution, or guarantee provided for in the extension regulations.

## Meter Locations

- An electric meter will not be in any area considered hazardous or inside where reading, testing, or servicing of the meter may become impracticable.
- A clear and level working space of 4' must be maintained around the meter at all times. Roadways and drive-throughs are not considered working space.
- The meter shall be located 5' (+or-6") at center of glass, above clear and level ground.
- Service disconnect shall be within 30" and accessible from meter housing.
- Meter housings are not provided by CORE. See Specifications for Meter Housings, Locations, and Installations.
- Only one meter will be issued per business. Strip malls and warehouses with multiple suites, units, or businesses will be allowed to have a commercial multi-metering configuration with one meter per business. Contact CORE's Metering Department for detailed information.
- Where multiple buildings are served by one power source (transformer), all secondary runs must be mapped by the electrical contractor.
- Brass tags required on non-movable part of meter housing(s).

UNDERGROUND COMMERCIAL  
SINGLE-PHASE (400 AMPS OR LESS)  
THREE-PHASE (200 AMPS OR LESS)

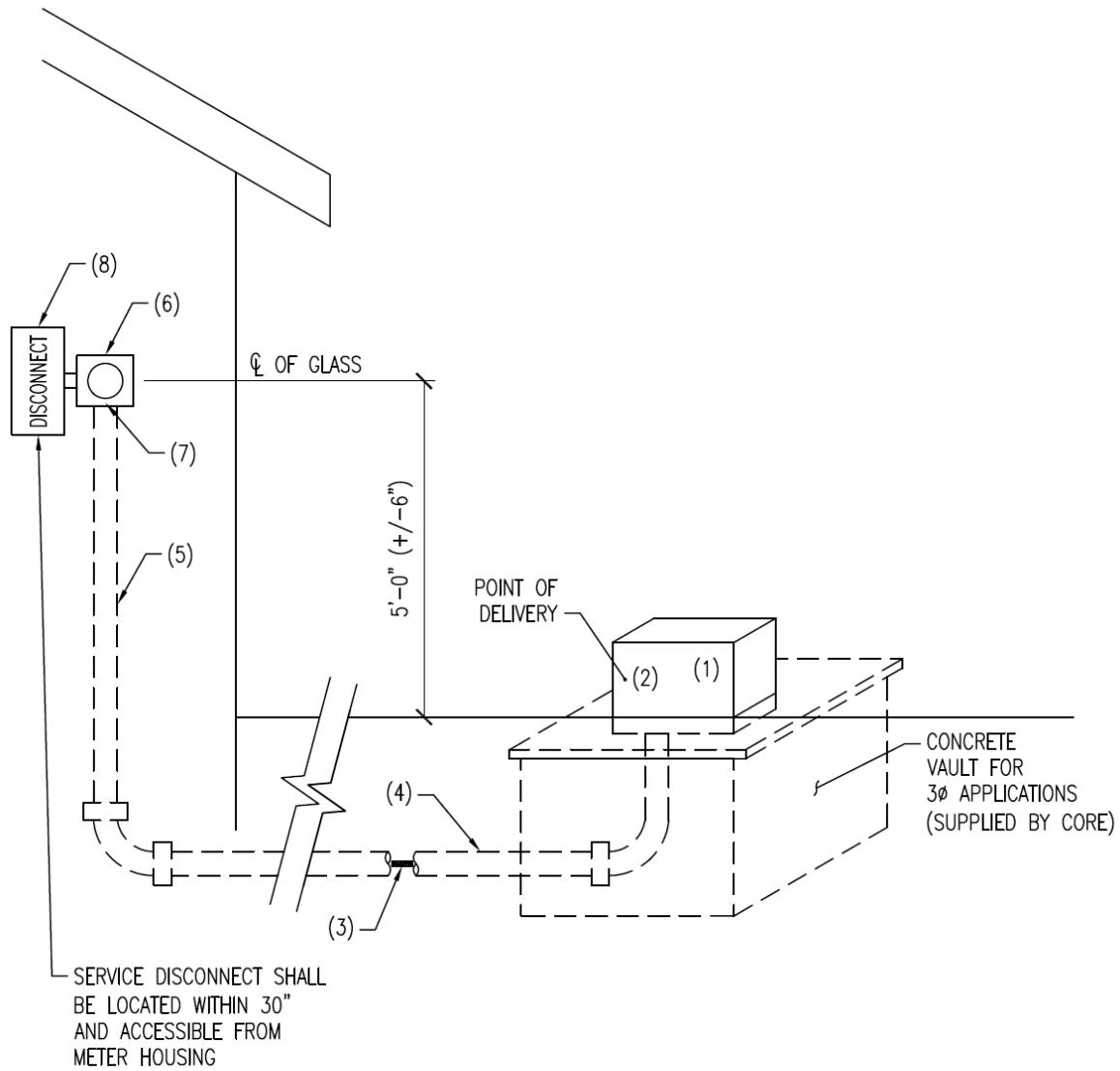


TABLE OF RESPONSIBILITY

KEY NO.	MATERIAL OR WORK DESCRIPTION	MATERIAL	INSTALLATION	OWNERSHIP AND MAINTENANCE
1	DISTRIBUTION FACILITIES (TRANS. OR PED.)	CORE	CORE	CORE
2	CONNECTION, SOURCE	CORE	CORE	---
3	CONDUCTOR, SERVICE LATERAL	CUSTOMER	CUSTOMER	CUSTOMER
4	CONDUIT, HORIZONTAL, AND RELATED MATERIAL	CUSTOMER	CUSTOMER	CUSTOMER
5	CONDUIT SERVICE ENTRANCE	CUSTOMER	CUSTOMER	CUSTOMER
6	METER HOUSING LEVER BYPASS ON SAFETY - SEALED	CUSTOMER	CUSTOMER	CUSTOMER
7	CONNECTION, METERING HOUSING	---	CUSTOMER	---
8	DISCONNECT - MAGNETIC OR FUSED	CUSTOMER	CUSTOMER	CUSTOMER

SPECIAL NOTE: KEY NO. 2 - CONNECTORS ARE FURNISHED AND INSTALLED BY CORE.

- If the service is underground to a meter pedestal, the meter is located within the meter pedestal, and the applicant will be required to install the secondary lateral to the building load.

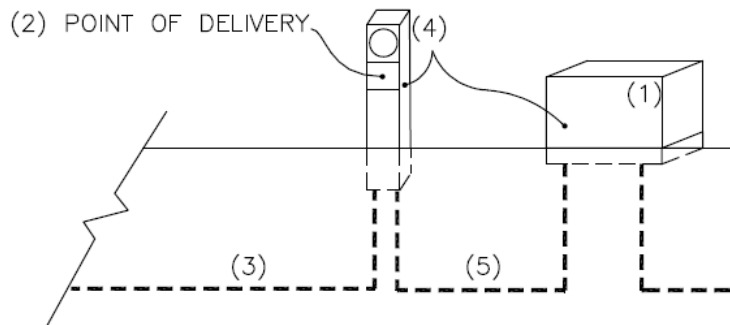
## METER PEDESTAL – COMMERCIAL SINGLE-PHASE (400 AMPS OR LESS)

BREAKER TYPE (3R ENCLOSURE)

TYPE METER PEDESTAL	BREAKER TYPE	COMMENTS
MILBANK	BRYANT TYPE: BR/BJ LINE ITE: QP OR QT LINE WESTINGHOUSE: CAZ LINE SQUARED D: QDL 25kAIC	200 AMP SERVICE
DURHAM	SAME AS MILBANK	200 TO 400 AMP (400 AMP SERVICES REQUIRE TWO, 200 AMP BREAKERS)

**NOTE:**

If meter pedestal is a manufacturer other than noted above, please contact CORE's Metering Department for additional breaker information. Any adapters needed to mount the above listed breakers can be provided by CORE. Please call 720-733-5555 for assistance



**NOTES:**

1. FINAL CONNECTIONS FROM BREAKER TO METER MUST BE MADE BY CORE'S PERSONNEL.
2. LEVER BYPASS REQUIRED FOR ALL COMMERCIAL SERVICES.

TABLE OF RESPONSIBILITY

KEY NO.	MATERIAL OR WORK DESCRIPTION	MATERIAL	INSTALLATION	OWNERSHIP AND MAINTENANCE
1	DISTRIBUTION FACILITIES	CORE	CORE	CORE
2	BREAKER(S) IN PEDESTAL	CUSTOMER	CUSTOMER	CUSTOMER
3	CONDUCTOR, SERVICE LATERAL	CUSTOMER	CUSTOMER	CUSTOMER
4	METER PEDESTAL	CORE	CORE	---
5	SECONDARY WIRE	CORE	CORE	CORE

- If the service is overhead to the building, the meter will be located on the building.

OVERHEAD – COMMERCIAL  
SINGLE-PHASE (400 AMPS OR LESS)  
THREE-PHASE (200 AMPS OR LESS)

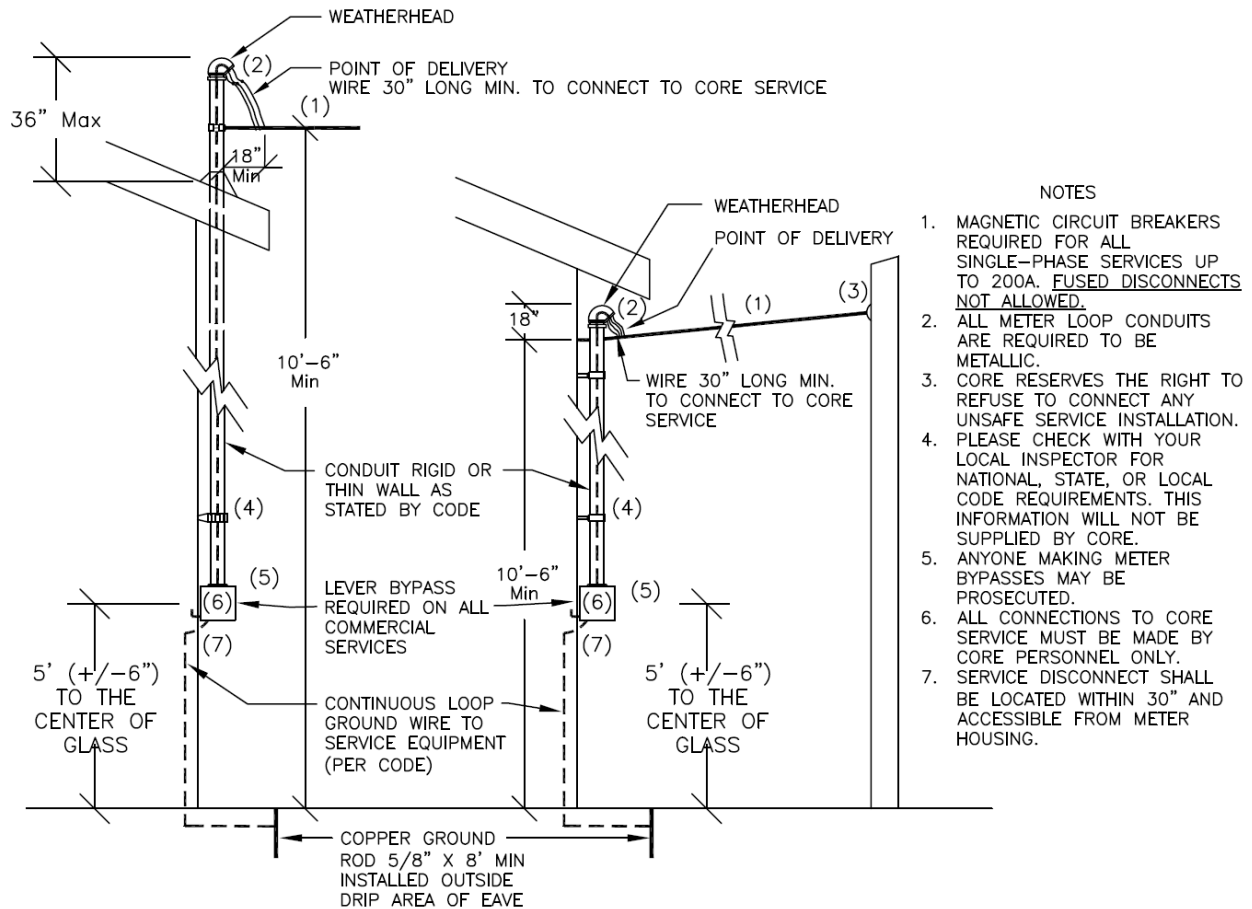
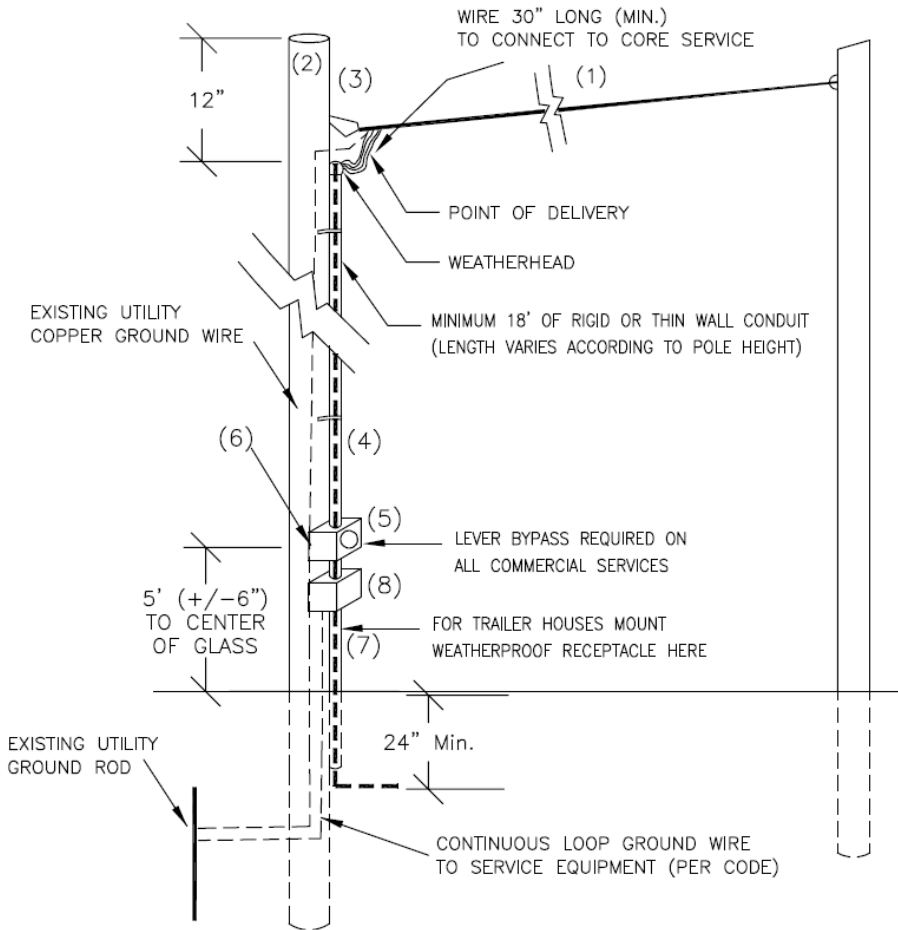


TABLE OF RESPONSIBILITY

KEY NO.	MATERIAL OR WORK DESCRIPTION	MATERIAL	INSTALLATION	OWNERSHIP AND MAINTENANCE
1	SERVICE DROP	CORE	CORE	CORE
2	SERVICE CONNECTION	----	CORE	----
3	SERVICE DROP CONNECTION	----	CORE	----
4	CONDUIT AND CONDUCTOR TO SERVICE ENTRANCE	CUSTOMER	CUSTOMER	CUSTOMER
5	METER HOUSING WITH LEVER BYPASS	CUSTOMER	CUSTOMER	CUSTOMER
6	CONNECTION, METER HOUSING	----	CUSTOMER	----
7	DISCONNECT	CUSTOMER	CUSTOMER	CUSTOMER

- If the service is overhead to the meter pole and then underground to the building, the meter will remain on the meter pole, and the applicant will be required to install the secondary to the building.

METER POLE – COMMERCIAL OR INDUSTRIAL  
 SINGLE-PHASE (400 AMPS OR LESS)  
 THREE-PHASE (200 AMPS OR LESS)



- NOTES
1. THIS LOOP CANNOT BE INSTALLED ON A PRIMARY POLE.
  2. MAGNETIC CIRCUIT BREAKERS OR FUSED DISCONNECT REQUIRED FOR ALL SINGLE-PHASE SERVICES UP TO 200A. FUSED DISCONNECTS NOT ALLOWED.
  3. ALL METER LOOP CONDUITS ARE REQUIRED TO BE METALLIC.
  4. CORE RESERVES THE RIGHT TO REFUSE TO CONNECT ANY UNSAFE SERVICE INSTALLATION.
  5. PLEASE CHECK WITH YOUR LOCAL INSPECTOR FOR NATIONAL, STATE, OR LOCAL CODE REQUIREMENTS. THIS INFORMATION WILL NOT BE PROVIDED BY CORE.
  6. ANYONE MAKING UNAUTHORIZED METER BYPASSES MAY BE PROSECUTED.
  7. ALL CONNECTIONS TO CORE SERVICE MUST BE MADE BY CORE PERSONNEL ONLY.
  8. A SECOND METER LOOP MAY BE INSTALLED ON THE OPPOSITE SIDE OR AT 90° TO EXISTING LOOP BUT MUST BE ON A MINIMUM OF 4" STANDOFFS.
  9. SERVICE DISCONNECT SHALL BE LOCATED WITHIN 30" AND ACCESSIBLE FROM METER HOUSING.
  10. NO OTHER EQUIPMENT BESIDES THE MAST(S), METER HOUSING (ALL-IN-ONE ALLOWED), AND SERVICE DISCONNECTS ARE ALLOWED ON THE POLE. NO TRANSFER SWITCHES OR INTERCONNECTION DISCONNECTS SHALL BE ON POLE.
  11. A BRASS TAG WITH ADDRESS OR LOCATION IS REQUIRED ON ALL DETACHED METER HOUSINGS

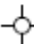
TABLE OF RESPONSIBILITY

KEY NO.	MATERIAL OR WORK DESCRIPTION	MATERIAL	INSTALLATION	OWNERSHIP AND MAINTENANCE
1	SECONDARY	CORE	CORE	CORE
2	POLE & GROUND ROD	CORE	CORE	CORE
3	SERVICE CONNECTION	----	CORE	----
4	CONDUIT AND CONDUCTOR TO SERVICE ENTRANCE	CUSTOMER	CUSTOMER	CUSTOMER
5	METER HOUSING WITH LEVER BYPASS	CUSTOMER	CUSTOMER	CUSTOMER
6	CONNECTION, METER HOUSING	----	CUSTOMER	----
7	CONDUIT AND CONDUCTOR	CUSTOMER	CUSTOMER	CUSTOMER
8	WEATHERPROOF MAIN DISCONNECT DEVICE	CUSTOMER	CUSTOMER	CUSTOMER

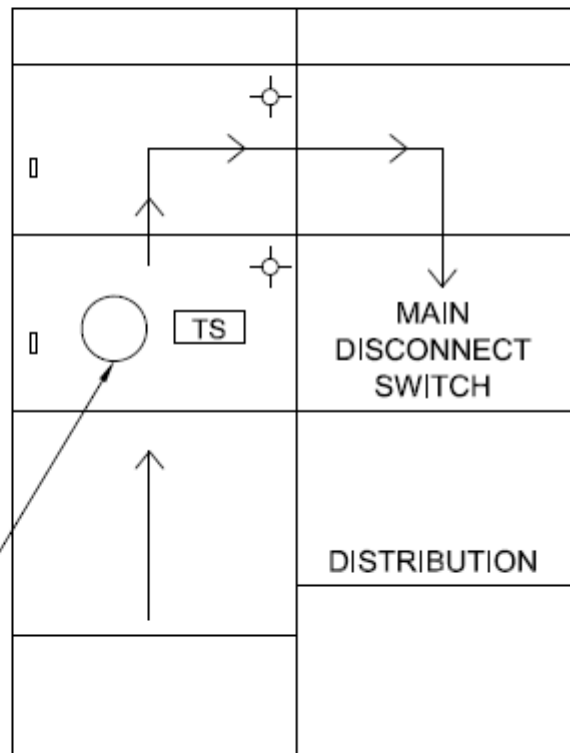
- CT/PT metering is required for single-phase greater than 320 amp continuous or 400 amp peak loads and three-phase greater than 200 amp. See Current Transformer – CT and Potential Transformer – PT Metering.


## EUSERC SINGLE METER (ELECTRIC UTILITY SERVICE EQUIPMENT REQUIREMENT COMMITTEE)

**NOTES:**

1. ENCLOSED BY LOCKABLE DOORS.
2.  HINGED DOORS  
CT'S & PT'S ARE LOCATED  
BEHIND METER AND  
TEST SWITCH.
3. LOCATED OUTDOORS ONLY
4. ENCLOSURE: NEMA TYPE 3R

3Ø 13 TERMINALS  
1Ø 8 TERMINALS



\*  HOT SEQUENCE

TO CORE'S  
TRANSFORMER

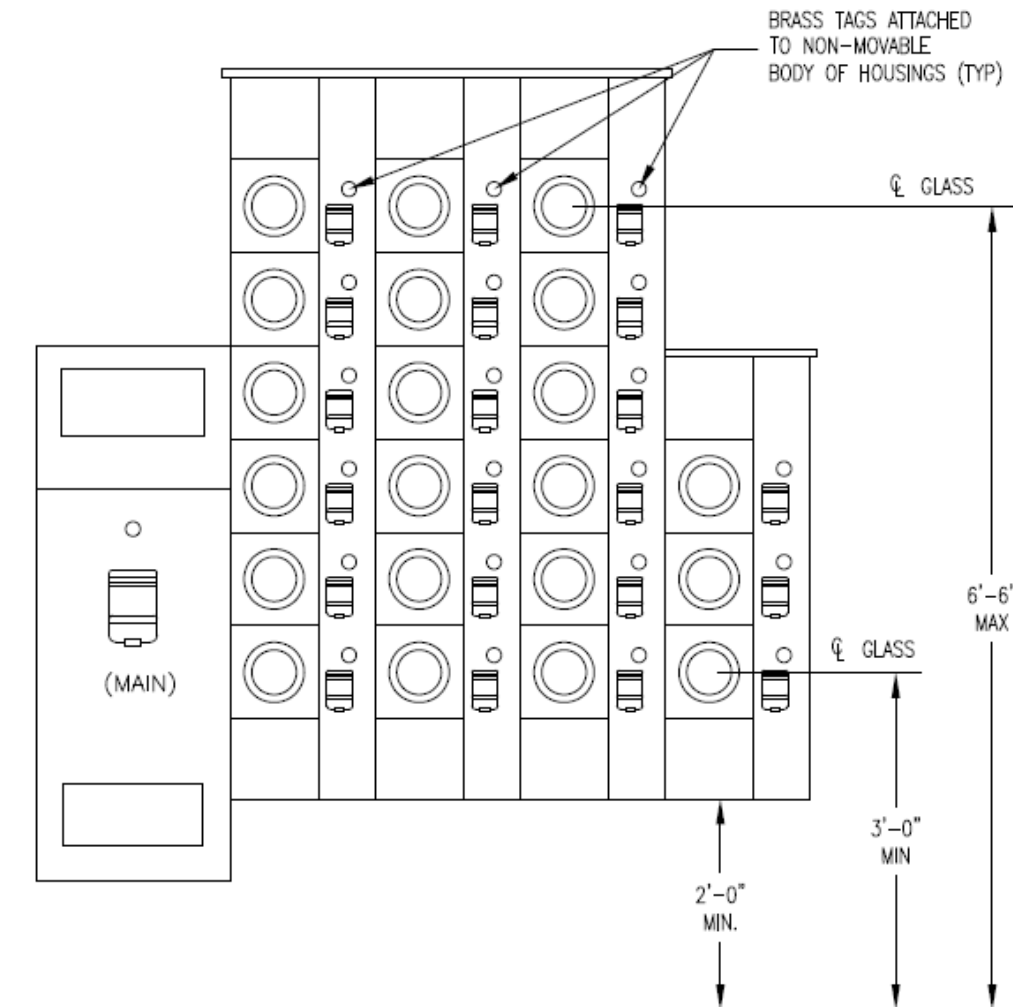
1Ø 240 VOLT OVER 400 AMP  
3Ø 208 VOLT OVER 200 AMP  
3Ø 480 VOLT OVER 200 AMP

## Multiple Meter Installations Nonresidential

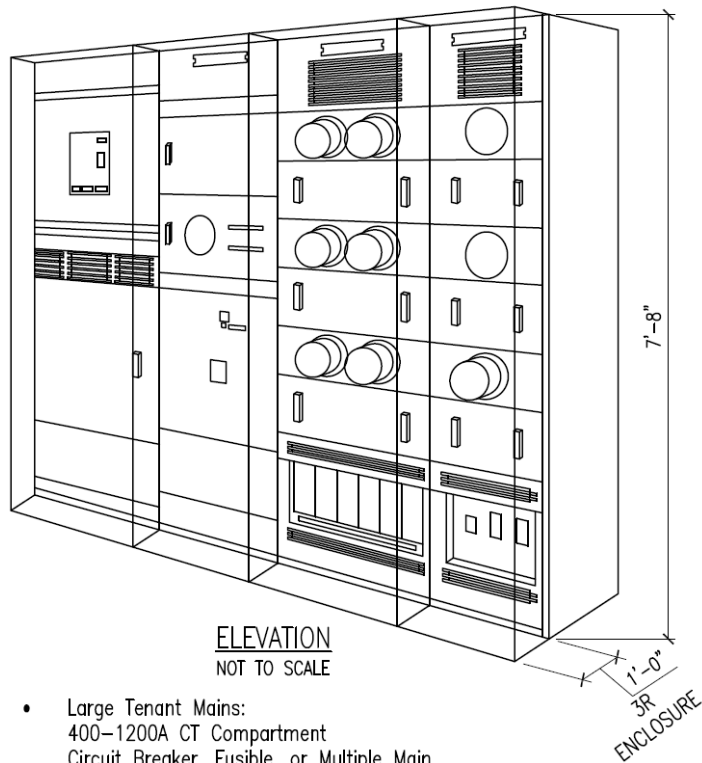
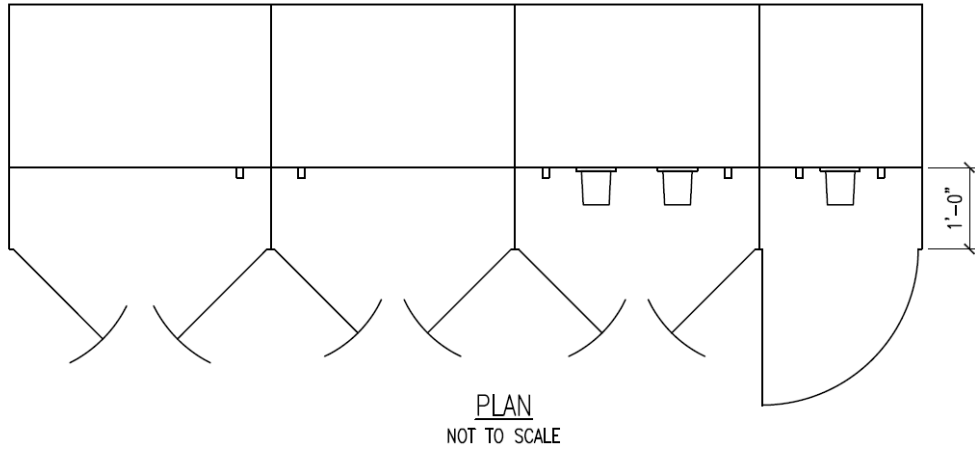
On nonresidential multi-meter panels, the centerline of meters shall be a minimum of 3' and a maximum of 6'-6" above finished grade or floor. The minimum spacing between socket centers shall be 12" horizontally and 12" vertically.

Meters shall be protected from mechanical damage. Factory-built multi-meter equipment shall be approved by CORE's Metering Department.

### MULTIPLE METER SINGLE-PHASE COMMERCIAL (200 AMPS OR LESS PER METER)



## COMMERCIAL MULTI-METERING FOR EUSERC APPLICATIONS



- UL Listed Service Entrance
- Service:
  - 120/240V 1Ø3W ac
  - 120/240V 3Ø4W ac Δ Restricted\*
  - 120/208V 3Ø4W ac
  - 277/480V 3Ø4W ac
- Ampacity 200–4000A
- SCCR 100,000A rms Symmetrical
- Bussing:
  - Aluminum (Standard)
  - Copper (Optional)
- Enclosure:
  - NEMA Type 3R
- Hot Sequence Metering: EXCEPTION  
6 HANDLE RULE
- Mains:
  - Underground Pull Section 400–4000A
  - Circuit Breaker 400–4000A
  - Fusible Switch 400–4000A

- Large Tenant Mains:
  - 400–1200A CT Compartment
  - Circuit Breaker, Fusible, or Multiple Main
- Meter Sections:
  - 3–Socket or 6–Socket
  - Circuit Breaker or Fusible
- Meter Sockets:
  - 200A Continuous (5–Jaw or 7–Jaw)
  - Plug–On Construction

\*Available only on existing services – may require upgrade to 120/208V or 277/480V

## Cable Limits for Three-Phase Pad-Mounted Transformers

75 – 300 kVA Transformers	Maximum 5 runs of 500 MCM AL/CU conductor. Connected by two-hole NEMA compression lugs.
500-2000 kVA Transformers	Maximum 8 runs of 750 MCM AL/CU conductor. Connected by two-hole NEMA compression lugs.
3000 kVA Transformer	Maximum 12 runs of 750 MCM AL/CU conductor. Connected by two-hole NEMA compression lugs.

NOTE: The member shall provide an additional 10' of cable for transformers installed on vaults to accommodate transformer replacements or upgrades. CORE will supply two-hole NEMA compression lugs.

### Voltages

CORE offers their members the voltages shown in the table below.

Service Type	Voltage
Single-phase	120/240V, 3-wire*
Three-phase	120/208V, 4-wire 277/480V, 4-wire
Primary Single-Phase	7200V, 3-wire
Primary Three-Phase	7200/12470V, 4-wire

\*Available for loads to a maximum demand of 100kW. Larger loads may be served, if determined feasible by a CORE engineer. All motors must be rated at 10 HP or less.

## Cable Limits for Single-Phase Pad-Mounted Transformers

Seven (7) runs is the maximum number of secondary conductors allowed for single-phase transformer installations with a maximum conductor size being 350 MCM. The member shall provide an additional 10' of cable for transformers installed on vaults to accommodate transformer replacements or upgrades.

## Fault Current Levels and Standard KVA Size Transformers

The most used transformers installed by CORE are shown in the tables below. Tables also show the maximum available short-circuit current at the transformer's secondary connection point.

**Maximum short circuit current in amps for single-phase pole mounted transformers**

Secondary Voltage	KVA	240 V Windings		120 V Winding	
		Min. % Z	Fault Current	Min. % Z	Fault Current
120/240	10	1.5	2778	1.5	5556
120/240	15	1.5	4167	1.5	8333
120/240	25	1.5	6944	1.5	13889
120/240	37.5	1.5	10417	1.5	20833
120/240	50	1.5	13889	1.5	27778

**Maximum short circuit current in amps for single-phase pad mounted transformers**

Secondary Voltage	KVA	240 V Winding		120 V Winding	
		Min. % Z	Fault Current	Min. % Z	Fault Current
120/240	15	1.5	4167	1.5	8333
120/240	25	1.5	6944	1.5	13889
120/240	37.5	1.5	10417	1.5	20833
120/240	50	1.5	13889	1.5	27778
120/240	75	1.5	20833	1.5	41667
120/240	100	1.5	27778	1.5	55556
120/240	167.5	1.5	46528	1.5	93056

**Maximum short circuit current in amps for Three-single phase pole mounted transformer bank**

Secondary Voltage	KVA	208 V Winding		120 V Winding	
		Min. % Z	Fault Current	Min. % Z	Fault Current
120/208	10	1.5	1850	1.5	3208
120/208	15	1.5	2776	1.5	4811
120/208	25	1.5	4626	1.5	8019
120/208	37.5	1.5	6939	1.5	12028
120/208	50	1.5	9252	1.5	16038

**Maximum short circuit current in amps for Three-phase pad mounted transformers**

Secondary Voltage	KVA	3 Phase L-G	
		Min. % Z	Fault Current
120/208	75	1.5	13879
120/208	112.5	1.5	20725
120/208	150	1.5	27757
120/208	225	1.5	41636
120/208	300	1.5	55514
120/208	500	1.5	92524
120/208	750	2.5	83272
120/208	1000	5.0	55514

Secondary Voltage	KVA	480 V Winding		277 V Winding	
		Min. % Z	Fault Current	Min. % Z	Fault Current
277/480	10	1.5	802	1.5	1390
277/480	15	1.5	1203	1.5	2084
277/480	25	1.5	2005	1.5	3474
277/480	37.5	1.5	3007	1.5	5211
277/480	50	1.5	4009	1.5	6948

Secondary Voltage	KVA	3 Phase L-G	
		Min. % Z	Fault Current
277/480	75	1.5	6014
277/480	112.5	1.5	8981
277/480	150	1.5	12028
277/480	225	1.5	18042
277/480	300	1.5	24056
277/480	500	1.5	40094
277/480	750	2.5	36084
277/480	1000	4.0	30070
277/480	1500	4.5	40094
277/480	3000	5.0	72169

## Specifications for Single & Three-Phase Self-Contained Meter Housings (120/240V 1Ø, 3-Wire; 120/208V, 3Ø, and 277/480V 3Ø 4-Wire)

- Housings shall be constructed from metal in accordance with the latest revision of Underwriters' Laboratories (UL) Standard No. 414 for meter sockets. All meter housings shall be UL listed and labeled, and they shall be installed and used in accordance with their labeling.
- The line-side of each socket shall be equipped so proper sealing of the socket can be maintained by padlock. **All sockets shall be ringless.**
- After installation and sealing are completed, the socket shall not have any openings except as permitted by NEMA Type 3R construction.
- Meter housing installations shall be installed per National Electric Code (NEC) Standards and shall be enforced by the local inspection authority. All 200amp meters shall be hot sequenced except as required by the National Electric Code (NEC). See "six-handle" rule.
- Center of glass on meter housing shall be located 5' (+or-6") above finished grade. A clear and level working space of 4'-0" must be always maintained around the meter
- All commercial applications will have a meter socket with a heavy-duty locking jaw with lever-type bypass or meet the EUSERC Standards for commercial metering with safety sockets. On multi-meter panels, the centerline of meters shall be a minimum of 3' and a maximum of 6'-6" above finished grade or floor. The minimum spacing between socket centers shall be 12' horizontally and 12" vertically.
- All sockets (including CT/PT installations) will be permanently labeled with an etched metal tag or permanent tag noting the service location that it feeds on the body of housing, not on the removable panel.
- Maximum amp size to be metered by a self-contained 3Ø meter will not exceed 200 amps.
- All existing services that are changed or upgraded because of increased loads, transformer size, wire size, or reconstruction will be brought up to CORE's current Standards.
- All 3Ø polyphase sockets will have a seven-terminal mounting block with a heavy duty 200-amp locking jaw with lever-type bypass or meet the EUSERC Standards for commercial metering with safety sockets.

- All 3Ø member will provide their own single-phase protection.
- All 1Ø meter housing will require lever-type-bypass.
- Maximum amp size to be metered by a self-contained 1Ø meter will not exceed 320amp continuous or 400amp peak loads. All single-phase services in excess of 200 amps require a class 320 meter and lever bypass meter housing unless preapproved by CORE. Class 320 meters have a maximum continuous load rating of 320 amps. Continuous loads greater than 320 amps will require CT metering which will adhere to the EUSERC Standards. Members requiring CT metering that is rated at 800 amps or less may choose to use a CT cabinet instead of adhering to the EUSERC standard. See CT Cabinet Specifications for Single-Phase or Three-Phase Service, 800 amps or less.
- Brass tags required on non-movable part of meter housing(s).
- Self-contained meter housing shall have a spare access hole. The spare access hole shall be capped and secured from the inside of the meter housing with a metal cap such that the cap cannot be removed from the outside of the housing. The spare access hole shall be sized at 2 inches for 200A and above rated meter housings, or 1.5 inches for 150A and below meter housings.

Additional requirements may be found on our website ([www.CORE.coop](http://www.CORE.coop)). Approval will be given to meter/load center combinations as well as multiple combinations, which meet all other provisions for meter housings.

It is understood that CORE's approval does not mean approval in any area where there may be a conflict with any national or local code, or where the local inspecting body will have the final authority.

It is also understood that in case of a disaster, CORE will not have spare parts and will not be responsible for the repair.

### **Specifications for Meter Location and Installation**

Subject to CORE's Metering Department personnel approval, the member shall provide and maintain, without cost to CORE, an easily accessible meter location on or within the premises to be supplied service. All locations must comply with CORE Rates and Regulations.

Where meters, originally installed in accessible locations satisfactory to CORE, are rendered inaccessible by virtue of alterations or new construction by the owner of

the premises or his agents, such meters shall be reinstalled at a point designated by CORE at the expense of the property owner.

The location of meters and metering equipment shall be designated by CORE. No wiring dependent upon the meter location should be started until such location has been approved.

## **Meters**

- Meters shall be installed outdoors in accordance with rules governing outdoor meter installations. Meters and EUSERC cabinets are to be installed outside the building either free standing (EUSERC cabinet) or against an exterior wall (EUSERC cabinet or meter) allowing unobstructed access by CORE's personnel.
- EUSERC Cabinets shall have a minimum of 3'-0" clear and level space beyond the door when opened at 90-degree position.
- The cabinet or meter may NOT be installed in an interior room, courtyard, or any other structure that could possibly have a lockable entry way.
- If the EUSERC cabinet, metering, and main disconnect are not installed in a proper location and manner, CORE will refuse service. Major changes may be required at the member's cost and delay the service connection.
- Meter mounting and associated equipment shall be mounted securely and plumb. Where attachment is made to masonry, concrete, or plaster walls, expansion bolts, plugs, or anchors shall be used.
- Meter mountings shall not be placed in a location where meter reading or servicing may become impracticable or may cause damage to any part of the member's premises.
- Meter housing must be located within 30" of load side disconnect.

## **Line-side Conductors**

- The line-side conductors in meter mounting devices shall be required to be separated from the load-side conductors by means of permanent barrier.
- Access to the line-side conductors shall be sealable.
- No conductors other than line-side conductors shall be permitted in line-side conduits, troughs, or lug landings.

- All line-side (unmetered) conductors must be in a continuous length of conduit or CORE sealed raceway from the point of delivery to the service entrance.
- Line-side and load-side conductors shall not be combined within the same conduit or raceway.
- The use of line-side (ahead of the meter) disconnects or other open devices are not permitted with exception to 277/480V self-contained commercial accounts and/or multiple-meter stacks following the NEC 6 handle rule.
- CORE's Distribution Operations personnel must approve the location of any ahead-of-the-meter devices.
- An approved location will be limited to installation in secured switch gear or on the same surface wall directly ahead and within 24" of the meter.

Meter location, point of delivery, and service disconnect will be determined by CORE in accordance with standard practices, including the National Electrical Code, and will be accessible to CORE's service personnel at all times.

### **Three-Phase Services: 120/240V, Four-Wire Delta**

In addition to the requirements for all three-phase services, the high-leg (power leg) shall be connected through the right-hand terminals of the socket. Applicants upgrading service may be required to convert to 120/208 or 277/480 voltage.

**(Restricted – available only for existing services)**

### **Three-Phase Self- Contained Services: 277/480V**

An accessible meter disconnect switch before each meter base/socket and a safety socket with a manual bypass is required. Meter disconnect switch shall not be overcurrent protected. Additionally, a service disconnect is required after the meter.

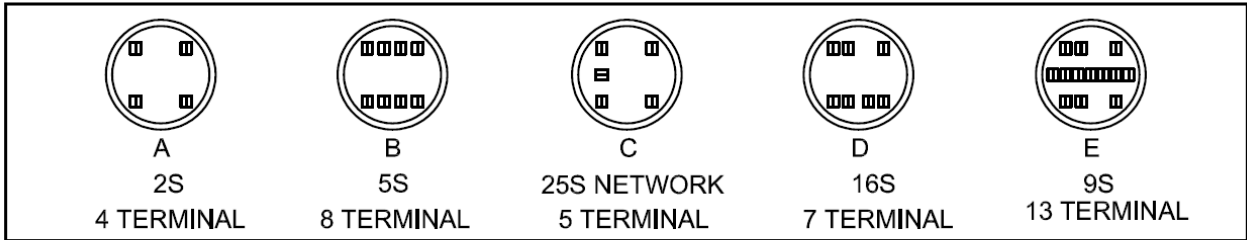
## **CT Cabinet Specifications for Single-Phase or Three-Phase Service, 800 amps or less, 120/240V 1Ø, 3-Wire; 120/208V 3Ø, and 277/480V 3Ø 4-Wire**

- Must be a single service/meter location.
- Must be 800 amps or below.
- The cabinet must have a lockable door that is hinged, opens to a minimum of 90 degrees and shall be permanently installed against a wall with adequate mounting hardware.
- CT's in CT cabinet shall be 48" (+or-6") from ground to center of CT at final grade.
- The meter housing should be installed within 12" of the CT cabinet and must be on the opposite side of CT cabinet door hinge and level with the top of the CT cabinet.
- Conduit from the meter housing to CT cabinet shall be 1" metal.
- Meter housing must have provision for test switch:
  - a. Test Switch spacing shall be 5-1/8" depth.
  - b. Auto shunting test switches shall not be used.
- 480V services require space on hinge side of CT cabinet for PT installation:
  - a. Specify on .dwg file (6" space for PT's between CT cabinet wall and bus).
  - b. PT's cannot be covered by any conductors.
- Area shall meet all other metering requirements:
  - a. 3' clear and level working area in front of 90-degree open door for entire width of CT cabinet and meter housing.
  - b. Clear and level working space shall not be a part of a street, drive thru, etc.

- Service disconnect shall be installed within 30" and reachable of metering equipment.
- Drawing package for review shall include:
  - a. Cut sheet for CT cabinet.
  - b. Cut sheet for meter housing.
  - c. Site diagram.
  - d. One-line diagram.
- CT cabinet shall accept bar type CT's only.
- The maximum number of conductors per phase is three (3).
- Minimum dimensions of CT cabinet:
  - a. Single-Phase: 24"W x 30"H x 11"D.
  - b. Three-Phase 208V: 30"W x 30"H x 11"D.
  - c. Three-Phase 480V: 36"W x 30"H x 11"D.
- Warning placards made from plastic laminate mounted with permanent adhesive or rivets shall be provided as follows:
  - a. CT cabinet shall have service address or unit number and voltage.
  - b. Meter housing shall have service address or unit number. May use a brass tag if necessary for space constraints.
  - c. Service Disconnect cabinet shall be labeled with address or unit number and "Service Disconnect".

<b>Meter Form Socket/Base Types</b>								
Voltage	Wires	Service Amps	# of Terminals	Meter Socket Config	By-Pass Required	Sequence	Meter Socket Requirement	EUSERC Drawings
<u>Single Phase</u>								
120/240	3	1 - 200 A	4	A	<u>Yes*</u>	Hot	Lever bypass or safety socket required (*Not required on residential services).	
120/240	3	201 - 400 A	4	A	<u>Yes</u>	Hot	Lever bypass or safety socket required	
120/240	3	401 - 1000 A	8	B	No	Hot	see EUSERC.org	319 - 327, 354
120/240	3	1001 - 3000 A	8	B	No	Hot	see EUSERC.org	319 - 327, 354
<u>Poly Phase</u>								
120/208	3	1 - 200 A	5	C	<u>Yes*</u>	Hot	5th Terminal in 9 o'clock position. Lever bypass or safety socket required (*Not required on residential services).	
120/208	4	1 - 200 A	7	D	<u>Yes</u>	Hot	Lever-bypass or safety socket required	
120/208	4	201 -1000 A	13	E	No	Hot	see EUSERC.org	319 - 327, 354
120/208	4	1001 - 3000 A	13	E	No	Hot	see EUSERC.org	319 - 327, 354
120/208	4	> 3000 A	13	E	No	Hot	see EUSERC.org	319 - 327, 354
277/480	4	1 - 200 A	7	D	<u>Yes</u>	Cold	Lever-bypass or safety socket required	
277/480	4	201 - 1000 A	13	E	No	Hot	see EUSERC.org and CORE Drawings 3-5	319 - 327, 354
277/480	4	1001 - 3000 A	13	E	No	Hot	see EUSERC.org and CORE Drawings 3-5	319 - 327, 354
277/480	4	> 3000 A	13	E	No	Hot	see EUSERC.org and CORE Drawings 3-5	319 - 327, 354
Note: Existing services needing repair not covered above, contact Metering Department								

\* Meter Base/Socket Configurations



\*RINGLESS REQUIRED ON ALL SERVICES

\*(SEE FULL BOOK)

### Three-Phase Services, Above 200 Amps

All three-phase services above 200 amps will require EUSERC specification switchgear, which will include a pull section, metering section and disconnect section. NEMA 3R rated enclosures will be on all sections with double locking device provided for joint access to applicable sections. (See Drawings 325, 354 of EUSERC information). Any 277/480-volt service will have an additional width to accommodate the placement of Potential Transformers attached to a removable PT pan. (See Drawing 326 of EUSERC information & Instrument-Transformer Compartment Drawings and CORE Drawings 3-5) All EUSERC systems will be hot sequenced per EUSERC SINGLE METER drawing.

Fire pumps fed from EUSERC switchgear may be tapped ahead of the main disconnect and shall have a dedicated labeled disconnect. Fire pump installations shall meet NEC and local standards.

Members requiring CT/PT metering that is rated at 800 amps or less may choose to use a CT cabinet instead of adhering to the EUSERC standard. See CT Cabinet Specifications for Single-Phase or Three-Phase Service, 800 amps or less.

### Manufacturer Drawings Required for Services Over 200 Amps

Manufacturer drawings shall be submitted to CORE for approval for all switch board metering prior to shipment from manufacturer.

## CURRENT TRANSFORMER (CT) / POTENTIAL TRANSFORMER (PT) METERING

---

Current and potential transformers provide the intelligence for measuring or metering power flows, such as large amperes flowing in a high-voltage circuit. More specifically, CORE will use CT's and PT's on services as listed below:

- CT** - 120/208V, three-phase larger than 200 amp service entrance
- 120/240V, single-phase larger than 400 amp\* service entrance  
\*320 amp continuous load or 400 amp Peak
  
- CT/PT** - 277/480V, three-phase larger than 200-amp service entrance

**If you are requiring this type of service, please contact CORE's Metering Department for installation procedures, guidelines, and equipment specifications.**

EUSERC standards are used when a service requires the use of CT (Current Transformer) metering. It is recognized by many safety agencies, including NEMA, UL and ETL Testing Labs. The equipment used is handled by many manufacturers, including AMP, Eaton/Cutler-Hammer, GE, Siemens, and Square D. It is a standard used by 80 utilities in 14 states.

EUSERC is required when an expected load (amperage) exceeds the maximum limit for which self-contained metering is capable of handling. For a single-phase service, the maximum limit is 320 amps continuous or 400 amps peak. For a three-phase service, the maximum limit is 200 amps. Members requiring CT metering that is rated at 800 amps or less may choose to use a CT cabinet instead of adhering to the EUSERC standard. See CT Cabinet specifications for Single-Phase or Three-Phase Service, 800 amps or less.

The benefits of following EUSERC standards are many:

- Due to the metering being enclosed and protected, less theft and vandalism occurs, and there are no environmental conditions.
  
- Since EUSERC is standardized with simplified construction, fewer wiring errors can occur which reduces billing errors due to incorrect metering.
  
- It is more aesthetically pleasing with one cabinet that is inter-connectable and with everything enclosed and hidden from view.

- The time and labor involved in installing a EUSERC cabinet is often much less than other forms of CT metering, resulting in a savings to the member.

The cabinet is a *switchboard* which is usually 90 inches tall, 26 inches deep, and can range from 38 to 90 or more inches in width. It has a pull section and a metering section on the line side, and a main disconnect (per each meter housing) switch on the load side. This is all enclosed in the self-contained switchboard, which is a rain tight enclosure with exterior locking doors, protecting it from the elements, vandalism, etc. Please note that the member's main disconnect switch **MUST** be within the EUSERC cabinet.

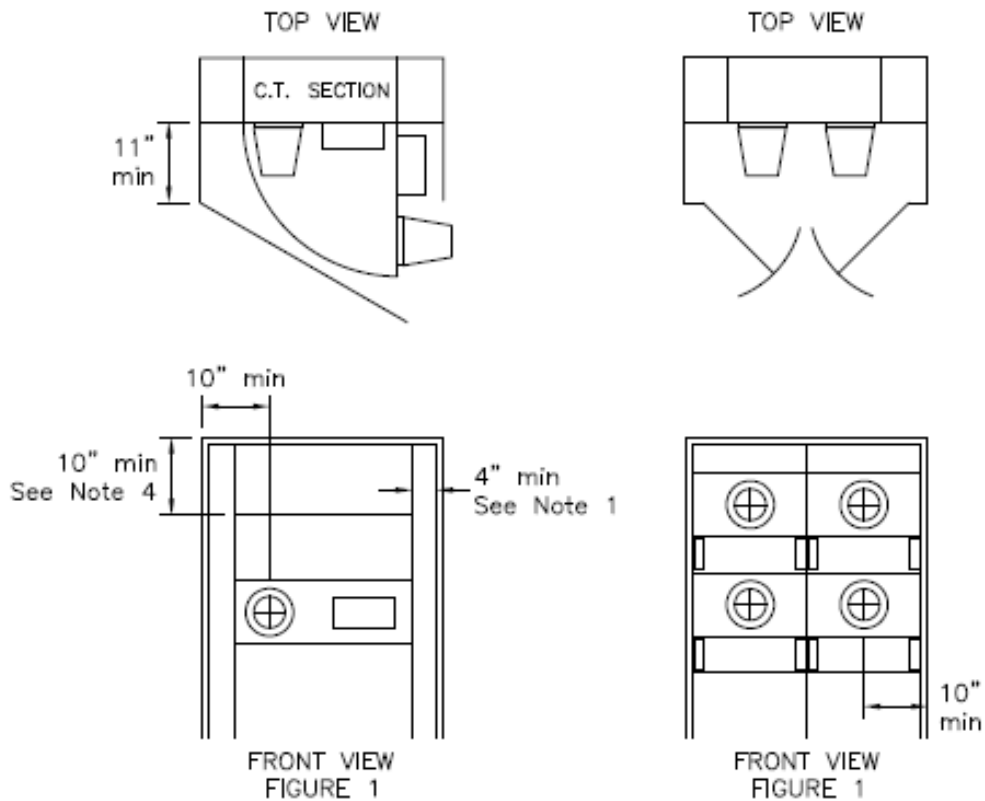
It is to be installed outside the building, either free standing, or against an exterior wall, allowing unobstructed access by CORE personnel. At least a three-foot clear, level unobstructed working space beyond the door when fully open at 90-degree position is also required. Roadways or drive-throughs are not considered working space.

Please note that the cabinet may **NOT** be installed in an interior room, courtyard, or any other structure that could possibly have a lockable entryway. Please be aware that if the EUSERC cabinet is not installed in a proper accessible location, the member will be required to make the necessary changes at their cost, and a delay in receiving electrical service may be inevitable.

#### **CT/PT Requirements:**

- CT/PT cabinets must be furnished and installed by the member, located outside in accordance with CORE's policies, and meet EUSERC Standards.
- Metering connections are performed by CORE's personnel.
- CORE will install a lock on CT/PT cabinet. Member shall supply a double locking device for joint access.
- CTs/PTs are supplied by CORE (prepaid by member) and installed by the member's electrician.
- Construction must follow national, state, or local code requirements.

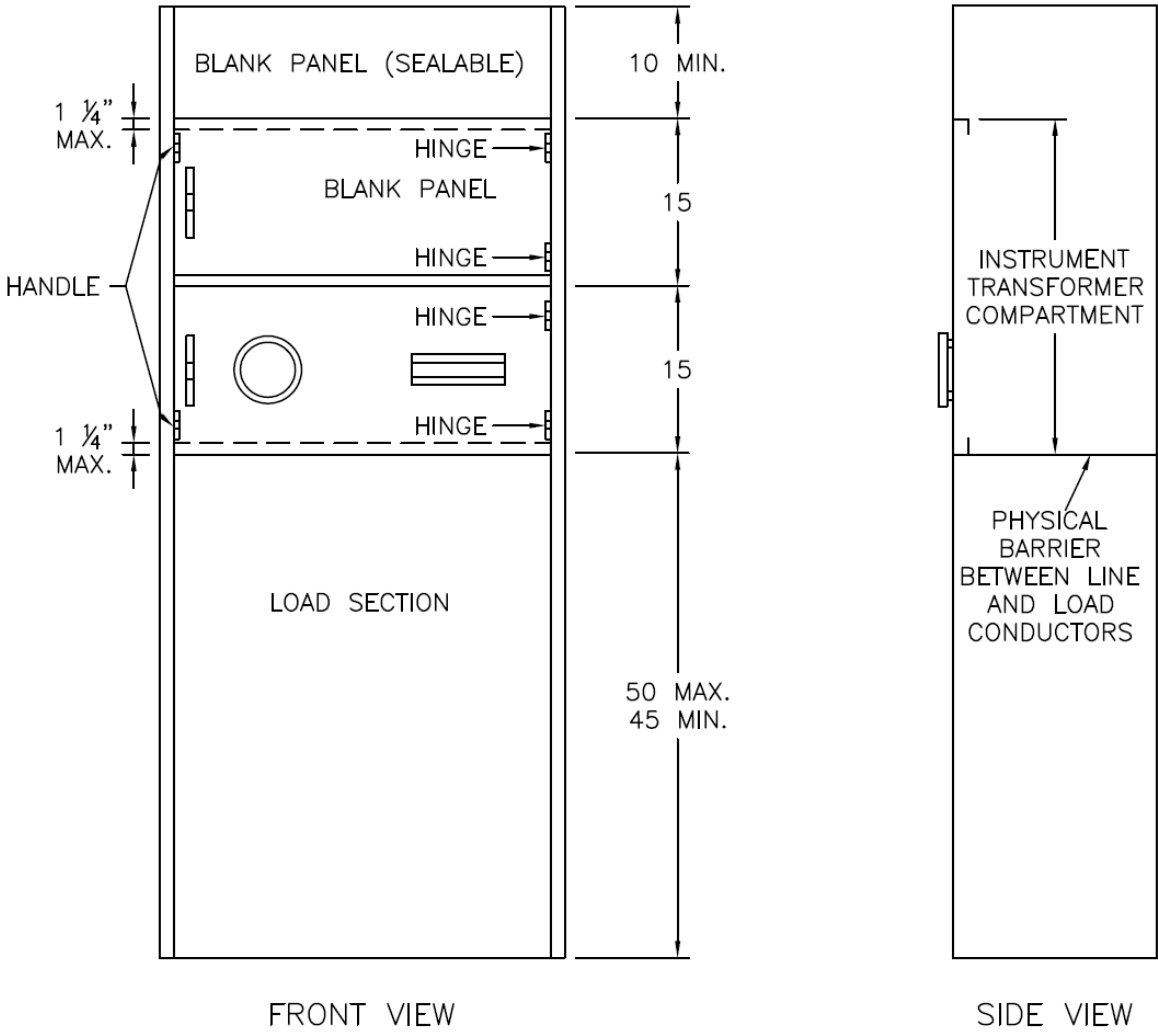
- Polarity of CTs toward source.
- All existing services that are changed or upgraded because of increased loads, transformer size, wire size, or reconstruction will be brought up to CORE's current Standards.
- All sockets will be permanently labeled with an etched metal tag or permanent tag approved by CORE's Metering Department personnel noting the service location that it feeds on the body of housing, not on the removable panel.



**NOTES:**

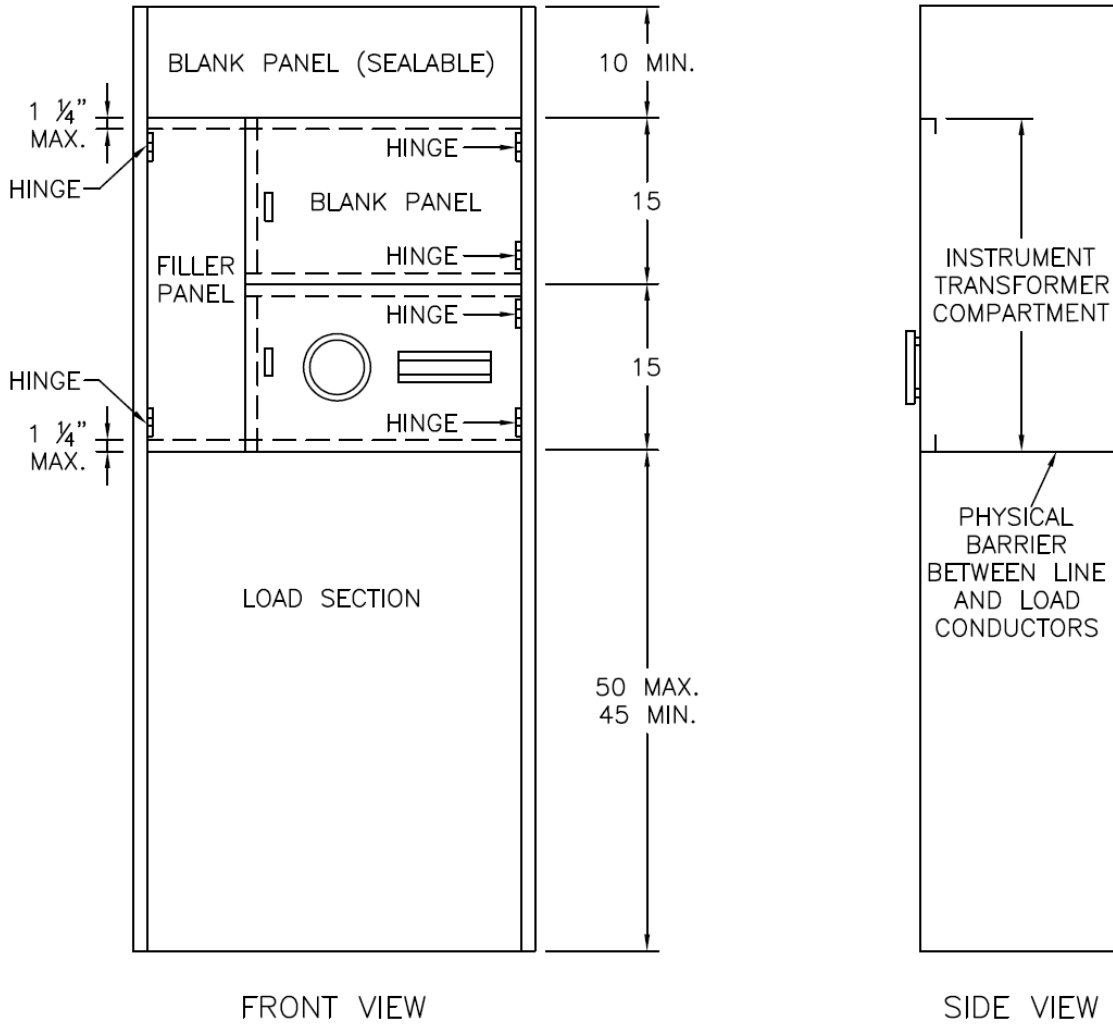
1. Hinged meter panel shall be capable of being opened 90° with meter and test facilities in place, and provide the following clearances to any obstruction – 11" at the meter socket and 4" at the test-switch-slotted opening.
2. Meter panels, either socket or blank, shall not be hinged to a hinged filler panel. Non-hinged filler panels shall not extend into the required instrument-transformer compartment access opening.
3. Enclosure doors providing access to utility compartments (i.e., metering sections and pull sections) shall be:
  - a. Equipped with a device to secure the doors in the open position at 90° or more.
  - b. Secured in the closed position with a single, handle-operated, latching system. When provided with a locking means, each door, or set of doors, shall be equipped with an approved double-locking device, accepting padlocks with a  $\frac{5}{16}$ " lock shaft, to allow access by both the serving utility and the customer.
4. Dimension may be reduced if the service sections supplied from horizontal cross-bussing or bus duct.
5. See EUSERC.org for details (DWG NO. 354)

120/208 VOLTS



- NOTES:
1. Shown without 3R doors.
  2. See EUSERC.org for details (DWG NO. 325)

277/480 VOLTS

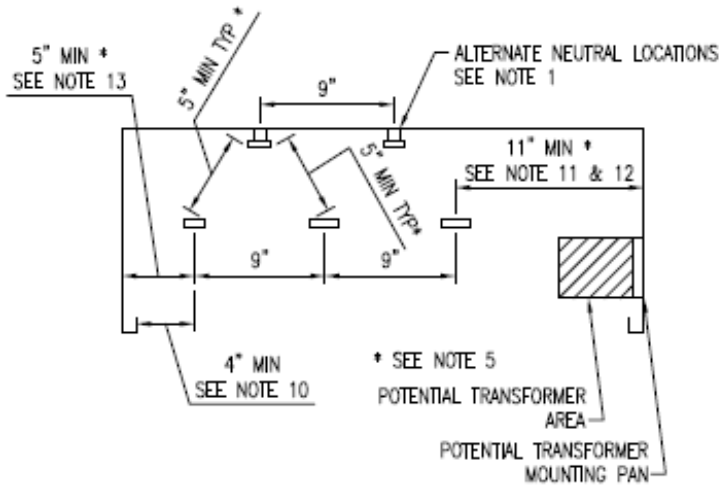


NOTES:

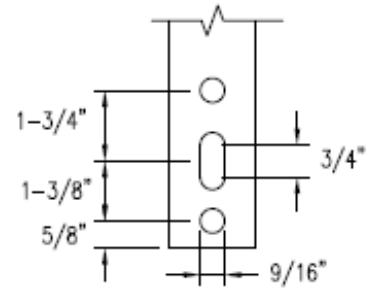
1. Shown without 3R doors.
2. See EUSERC.org for details (DWG NO. 326)

# INSTRUMENT-TRANSFORMER COMPARTMENT WITH P.T. MOUNTING PAN

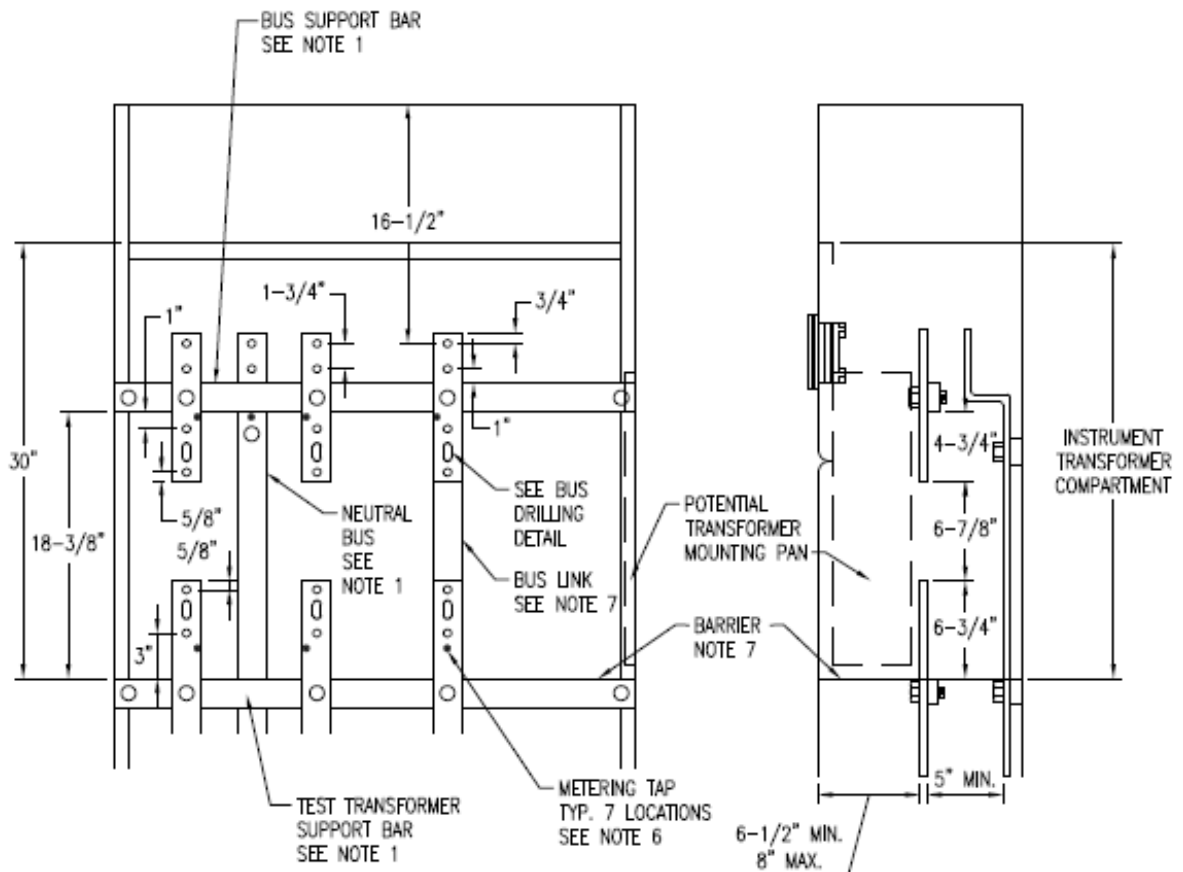
0-1000 AMPERES, 480 VOLTS SERVICE ONLY. 3Ø 3-WIRE AND 3Ø 4-WIRE



TOP VIEW



BUS DRILLING DETAIL  
TYPICAL 6 LOCATIONS



FRONT VIEW

SIDE VIEW

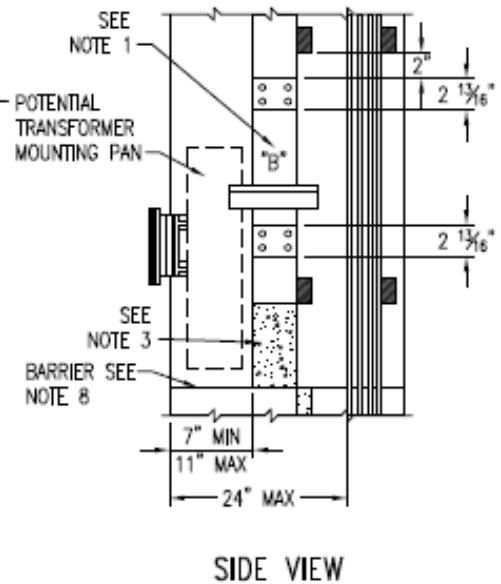
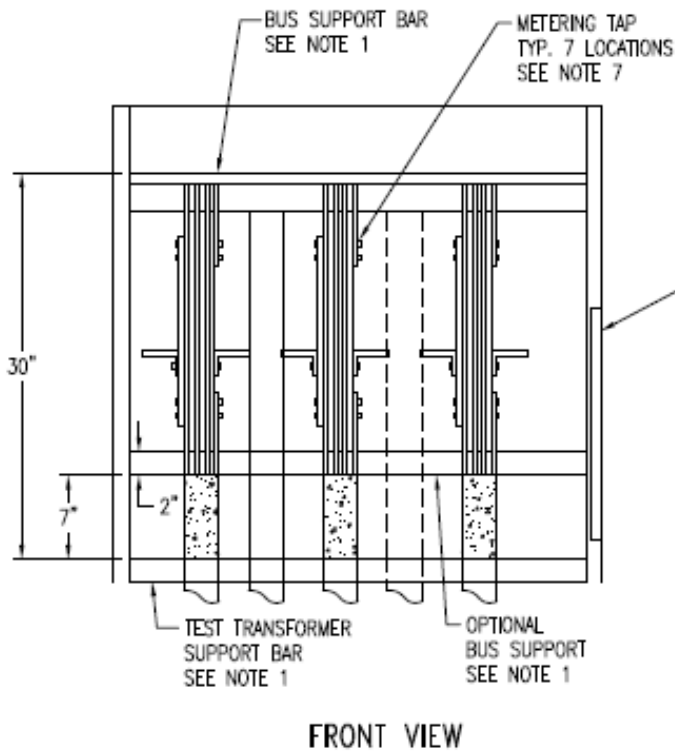
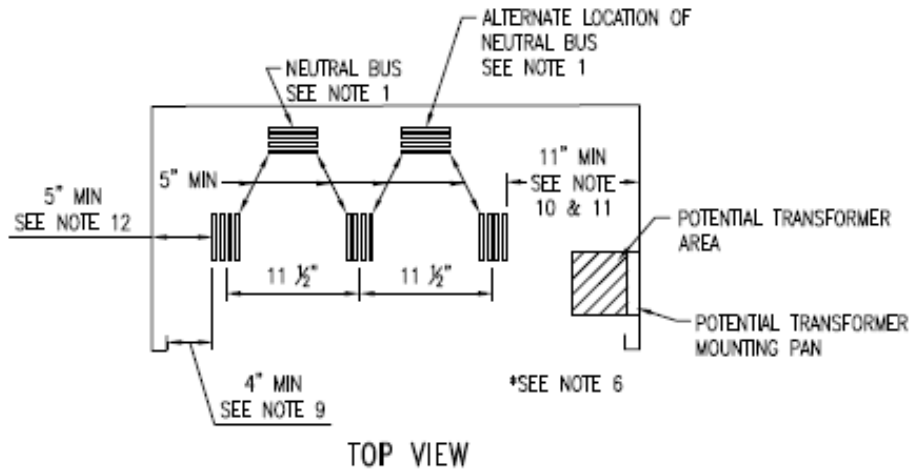
CORE Drawing #3

NOTES:

1. Bus arrangements and supports shall be provided as shown, except the neutral bus may be located at either side or on either side wall (Note: Neutral bus not required for 3-phase, 3-wire services). Bus supports shall be constructed of a continuous bar or insulating material and shall be rigid to prevent misalignment of the bus units with the cables in place.
2. The bus units may be supplied from the top or bottom and shall be anchored to prevent turning. Bus units shall be constructed of rectangular bus and when laminated shall have no space between laminations. Bus dimensions shall be provided as follows:
  - Minimum: ¼ inch x 2 inches
  - Maximum: ¾ inch x 2 inches
3. When the compartment is supplied from horizontal cross-bussing, the bussing shall pass through the compartment or in the sealed area above the compartment.
4. Except for conductors supplying the instrument-transformer compartment, no other conductors or devices shall be installed in, or routed through, the compartment or the sealed area above the compartment.
5. A clear unobstructed work space shall be provided around the current-transformer bus units from the barrier to the upper support bar.
6. Taps for attachment of meter wiring shall be provided as follows:
  - a. One tap on each upper and lower phase bus unit with a 10-32 screw and washer provided for each phase bus in either the upper or lower position.
  - b. One tap on the neutral bus as shown, or when the compartment is supplied from cross bussing a tap may be provided on the neutral cross-bus, or on a bus bar extension provided from the neutral cross-bus. A 10-32 screw and washer shall be provided for the neutral bus. Tap locations shall be centered between phase bus units, or at either side, and shall be readily accessible under energized conditions and with current-transformer.
7. The barrier shall be constructed of a rigid insulating material resistant to ARC tracking, and shall be secured in place with a maximum deflection of ½ inch from an applied force of 25 pounds downward. Openings in the barrier (i.e., peripheral gaps around barrier, cutouts around bus bars, and hole diameters provided for ventilation) shall not exceed 3/8 inch. The barrier shall be attached with nonconductive fasteners.
8. A removable link shall be installed in the right side phase bus for 3-phase, 3-wire service.
9. The power leg bus for a 4-wire delta service shall be identified by an orange outer finish, or by tagging or other effective means.
10. Dimensional measured to inside edge of the compartment access opening.
11. When line to line voltage exceeds 250 volts, the compartment width shall be increased by 6 inches minimum to allow for installation of potential transformer. The C.T. bus stubs shall remain at their original dimensions allowing this extra width to be clear area.
12. Minimum distance is measured from the P.T. pan mounting surface to bus center line.
13. Alternate location of potential transformer area.

# INSTRUMENT-TRANSFORMER COMPARTMENT WITH P.T. MOUNTING PAN

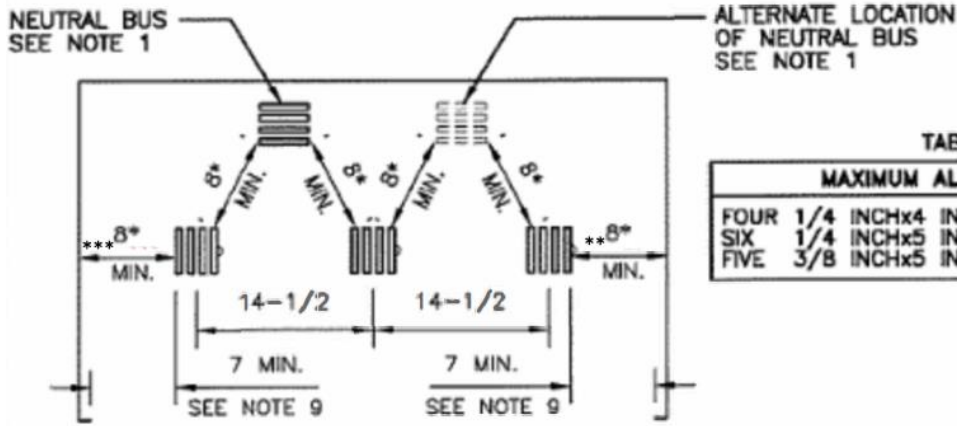
1000-3000 AMPERES, 480 VOLTS SERVICE ONLY. 3 $\phi$  3-WIRE AND 3 $\phi$  4-WIRE



NOTES:

1. Bus arrangements and supports shall be provided as shown, except the neutral bus may be located at either side or on either side wall (Note: Neutral bus not required for 3-phase, 3-wire services). Bus supports shall be anchored so that buses will remain in position when section "B" is removed. Bus supports shall be constructed of a continuous bar or insulating material.
2. Bus units may be supplied from the top or bottom, and shall be constructed of rectangular bus. Maximum allowable bus size shall be four ¼-inch x 4-inch bars spaced ¼ inch.
3. Bus units shall be insulated as shown and the insulating material shall be rated for the serving voltage. Round bus corners as necessary to prevent damage to insulation.
4. When the compartment is supplied from horizontal cross-bussing, the bussing shall pass through the compartment or in the sealed area above the compartment.
5. Except for bus supplying the instrument-transformer compartment, no other conductors or devices shall be installed in, or routed through, the compartment or the sealed area above the compartment.
6. A clear unobstructed work space shall be provided around the current-transformer bus units from the barrier to 2 inches above the removable current-transformer bus sections ("B").
7. A 10-32 tap for attachment of meter wiring shall be provided as follows:
  - a. One tap on each upper and lower phase bus unit with a 10-32 screw and washer provided for each phase bus in either the upper or lower position.
  - b. One tap on the neutral bus as shown, or when the compartment is supplied from cross bussing a tap may be provided on the neutral cross-bus, or on a bus bar extension provided from the neutral cross-bus. A 10-32 screw and washer shall be provided for the neutral bus. Tap locations shall be centered between phase bus units, or at either side, and shall be readily accessible under energized conditions and with current-transformer in place.
8. The barrier shall be constructed of a rigid insulating material resistant to ARC tracking, and shall be secured in place with a maximum deflection of ½ inch from an applied force of 25 pounds downward. Openings in the barrier (i.e., peripheral gaps around barrier, cutouts around bus bars, and hole diameters provided for ventilation) shall not exceed 3/8 inch. The barrier shall be attached with nonconductive fasteners.
9. Dimensions measured to inside edge of the compartment access opening.
10. When line to line voltage exceeds 250 volts, the compartment width shall be increased by 6 inches minimum to allow for installation of voltage transformers. The C.T. bus stubs shall remain at the original dimensions allowing this extra width to be clear area.
11. Minimum distance is measured from the P.T. pan mounting surface to bus center line.
12. Alternate location of potential transformer area.

**INSTRUMENT-TRANSFORMER COMPARTMENT**  
 3001 AMPERES AND ABOVE, 480 VOLTS, 3 $\phi$  3-WIRE AND 3 $\phi$  4-WIRE



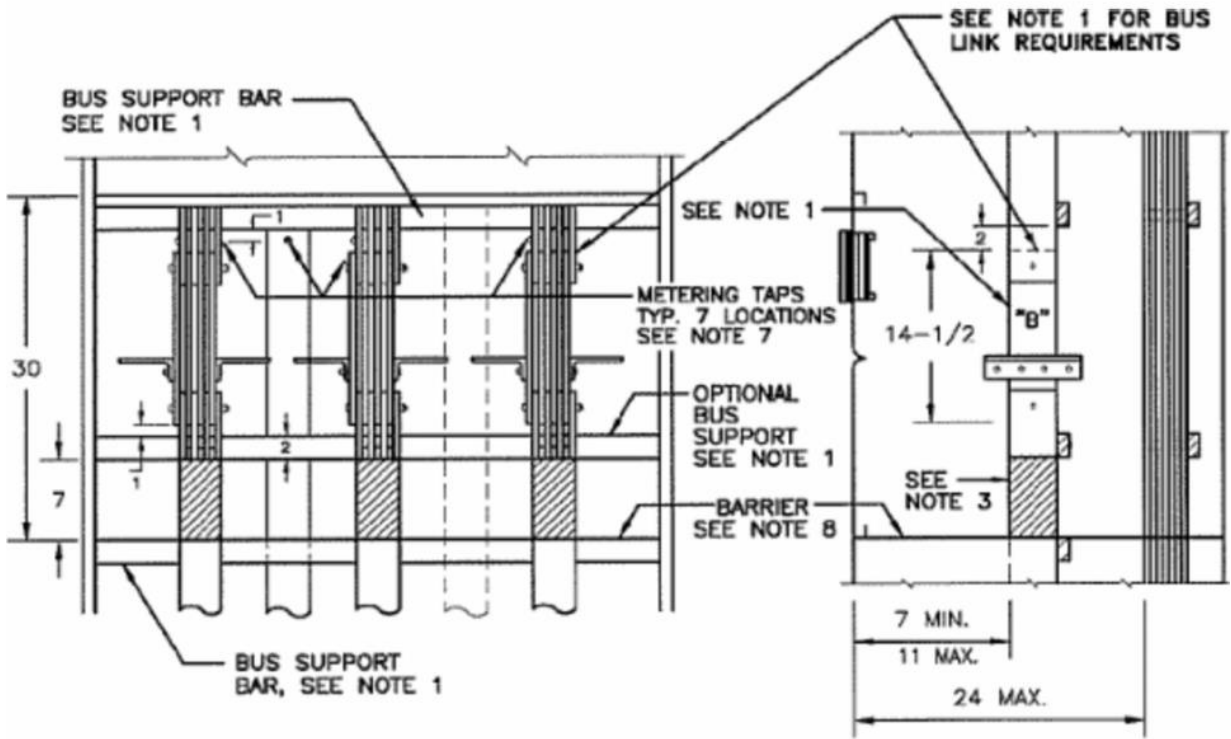
**TABLE 1**

MAXIMUM ALLOWABLE BUS	
FOUR	1/4 INCHx4 INCH BARS SPACED 1/4
SIX	1/4 INCHx5 INCH BARS SPACED 1/4
FIVE	3/8 INCHx5 INCH BARS SPACED 3/8

\*\*SEE NOTE 10&11  
 \*\*\*SEE NOTE 12

\* SEE NOTE 6

**TOP VIEW**

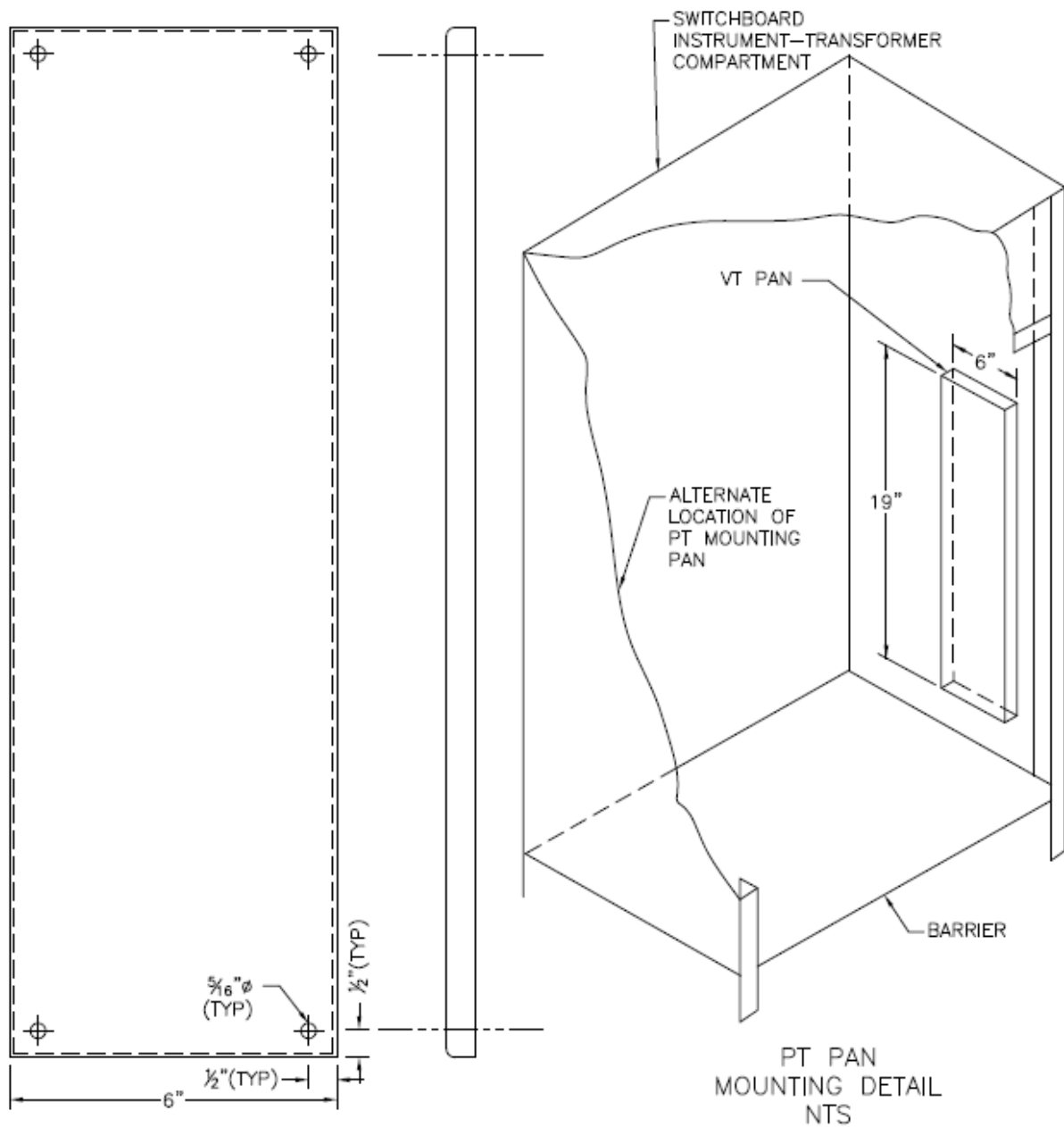


**FRONT VIEW**

**SIDE VIEW**

NOTES:

1. Bus arrangements and supports shall be provided as shown, except the neutral bus may be located at either side or on either side wall. (Note: neutral bus not required for 3-phase, 3-wire service). Bus units shall be anchored so that busses will remain in position when section "B" is removed. Bus supports shall be constructed of a continuous bar of insulating material.
2. The bus units may be supplied from the top or bottom, and shall be constructed of rectangular bus. For maximum allowable bus sizes, see Table 1.
3. Bus units shall be insulated as shown and the insulating material shall be rated for the serving voltage. Round bus corners as necessary to prevent damage to insulation.
4. When the compartment is supplied from horizontal cross-bussing, the bussing shall pass through the compartment or in the sealed area above the compartment.
5. Except for conductors supplying the instrument transformer compartment, and the ground bus, no other conductors or devices shall be installed in, or routed through, the compartment or the sealed area above the compartment. The ground bus shall not infringe on utility compartment space, or reduce any clearances. Customer connections to the ground bus shall not be allowed in the instrument transformer compartment.
6. A clear unobstructed work space shall be provided around the current-transformer bus units from the barrier to 2 inches above the removable current-transformer bus sections ("B").
7. A 10-32 top for attachment of meter wiring shall be provided as follows:
  - a. One tap on each upper and lower phase bus unit with a 10-32 screw and washer provided for each phase bus in either the upper or lower position.
  - b. One tap on the neutral bus as shown, or when the compartment is supplied from cross-bussing, a top may be provided on the neutral cross-bus, or on a bus bar extension provided from the neutral cross-bus. A 10-32 screw and washer shall be provided for the neutral bus. Top locations shall be centered between phase bus units, or at either side, and shall be readily accessible under energized conditions and with the current-transformers in place.
8. The barrier shall be constructed of a rigid insulating material resistant to ARC tracking and shall be secured in place with a maximum deflection of 1/2 inch from an applied force of 25 pounds downward. Openings in the barrier (i.e., peripheral gaps around barrier, cutouts around bus bars, and hole diameters provided for ventilation) shall not exceed 3/8 inch. The barrier shall be attached with nonconductive fasteners.
9. Dimension measured to inside edge of the compartment access opening.
10. When line voltage exceeds 250 volts, the compartment width shall be increased by a minimum of 6 inches to allow for installation of voltage transformers. The C.T. bus stubs shall remain at the original dimensions allowing this extra width to be clear area.
11. Minimum distance is measured from the P.T. pan mounting surface to bus center line.
12. Alternate location of potential transformer area.



NOTES:

1. FABRICATE FROM 12 GAUGE SHEET METAL. USE STEEL, PER ASTM A36.
2. MOUNT TO SIDE OF CT CABINET WITH 1/4"-20UNC STUDS. EACH MOUNTING STUD SHALL BE LONG ENOUGH TO ALLOW PAN TO BE BOLTED ON WITH ONE NUT AND ONE WASHER.

## APPENDIX A

# GUIDELINES FOR PLANT MATERIALS IN OR NEAR RIGHTS-OF-WAY AND UTILITY FACILITIES OF CORE ELECTRIC COOPERATIVE

## (INCLUDING APPROVED SPECIES LIST)

### OVERHEAD TRANSMISSION LINES AND STRUCTURES (44KV AND HIGHER)

- No trees shall be planted within transmission line rights-of-way.
- Shrubs, ground covers, and flowerbeds **may** be planted up to the base of poles and structures. However, plant material may be destroyed during operations and maintenance of lines. Damaged or destroyed material will not be replaced.

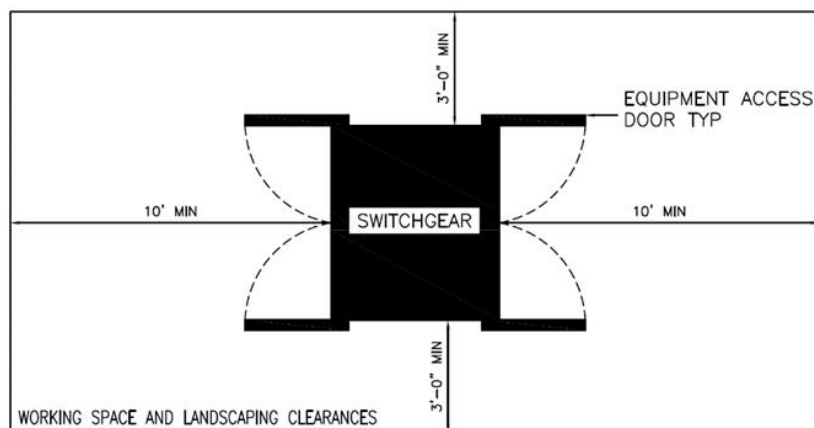
### OVERHEAD DISTRIBUTION LINES AND STRUCTURES

- Trees growing taller than 10 feet should not be planted within distribution line rights-of-way. However, they **may** be planted at least 20 feet (horizontally) from overhead electric distribution lines, regardless of the width of the right-of-way. **Please see a list of recommended tree species below.**
- All trees should be planted **at least** 20 feet from poles and structures. **Please see list of recommended tree species below.**
- Shrubs, ground covers, and flowerbeds may be planted up to the base of poles and structures. However, plant material may be destroyed during operations and maintenance of lines. Damaged or destroyed material will not be replaced.

### UNDERGROUND DISTRIBUTION LINES AND EQUIPMENT

- All trees should be planted **at least** 10 feet from equipment.
- No shrubs, ground covers, and flowerbeds may be planted within 3 feet from the sides of equipment and 10' in front of all doors. See drawing below. However, plant material may be destroyed during operations and maintenance of lines. Damaged or destroyed material will not be replaced.

PLAN VIEW OF PAD MOUNTED SWITCHGEAR WITH DOORS ON BOTH SIDES WORKING SPACE AND LANDSCAPING CLEARANCES



**DECIDUOUS**

Scientific Name	Common Name	Mature Height (ft)	Hardiness Zone
<i>Acer circinatum</i>	Vine maple	20	5-8
<i>Acer ginnala</i>	Amur maple	15-25	3-8
<i>Acer glabrum</i>	Rocky Mountain maple	25	4-8
<i>Acer palmatum</i>	Japanese maple	15-25	5-8
<i>Acer tataricum</i>	Tatarian maple	15-25	3-8
<i>Aesculus pavia</i>	Red buckeye	10-20	4-8
<i>Betula occidentalis</i>	Western water birch	25	4-7
<i>Carpinus caroliniana</i>	Blue beech, ironwood	25	4-9
<i>Cornus alternifolia</i>	Pagoda dogwood	15-25	3-7
<i>Cornus drummondii</i>	Roughleaf dogwood	20	5-8
<i>Cornus florida</i>	Flowering dogwood	20	5-9
<i>Cornus mas</i>	Cornelian-cherry	20-25	4-7
<i>Cotinus coggygria</i>	Common smoketree	10-15	5-8
<i>Cotinus obovatus</i>	American smoketree	25	4-8
<i>Magnolia stellata</i>	Star magnolia	10-20	4-8
<i>Mallus spp.</i>	Flowering crabapple	10-30	2-8
<i>Prunus mandshurica</i>	Manchurian apricot	15-25	4-8
<i>Prunus cerasifera</i>	Purple leaf plum	15-20	4-8
<i>Prunus nigra</i>	Princess kay plum	10-20	2-5
<i>Prunus 'North Star' &amp; 'Meteor'</i>	Sour cherry	10-15	4
<i>Quercus gambelii</i>	Gambel oak	20	3-8
<i>Salix discolor</i>	Pussy willow	15-18	4-8
<i>Xanthoceras sorbifolium</i>	Yellowhorn	18-24	4-7

## **CONIFEROUS**

Scientific Name	Common Name	Mature Height (ft)	Hardiness Zone
<i>Juniperus chinensis</i>	Chinese juniper	12-20	4-8
<i>Juniperus osteosperma</i>	Utah juniper	25	3-8
<i>Pinus aristata</i>	Bristlecone pine	8-10	4-7
<i>Pinus cembroides</i> var. <i>remota</i>	Remote pinion pine	15-20	5-9
<i>Pinus mugo</i>	Mugo pine	15-20	3-7
<i>Taxus x media</i> 'Hicksii'	Hicks yew	3-20	3-7
<i>Thuja occidentalis</i>	American arborvitae	10-25	3-7

Hardiness zones within the CORE service territory ranges from 3-6. Contact your local nursery for more information about short, slow-growing tree varieties that may be viable for your area.

Please call Colorado 811 for locates before you dig! (811)

For additional information, contact Brooks Kaufman, Lands and Rights of Way Manager, CORE Electric Cooperative at 720-733-5493

## GLOSSARY

---

**Approved** - Acceptable to the authority having jurisdiction.

**CORE** – CORE Electric Cooperative.

**Backfill** - Native soil or soil brought in from another area, free from sharp objects, rocks, scrap building material, and corrosive material.

**City/Town, County or State Inspector** - The qualified representative of a city/town, county or the State of Colorado, who has been authorized by governmental agencies to inspect electrical service installations on their behalf.

**Clearance** - A set distance between two objects.

**Cold Sequence Metering** – The member’s circuit breakers are located upstream from the meter. (Turning off the circuit breakers does de-energize the meter.)

**Conduit** - A listed or approved wireway with a smooth interior surface to permit easy drawing-in of the electrical conductors. A conduit may be metallic or nonmetallic, depending on its usage, in accordance with codes and CORE’s Standards.

**Member** – Any person or company applying for, receiving, using, or agreeing to take electric service or other services supplied by CORE Electric Cooperative.

**Demand** - The maximum average kilowatt load used by the member for a specific period of time during the billing period.

**Direct Burial** - The installation of electrical conductors in a trench, without the use of conduit.

**Enclosure** - A sealable cabinet designed for surface or flush mounting and provided with a frame or trim in which doors or removable covers are hung.

**EUSERC** – Electric Utility Service Equipment Requirements Committee

**Fault Current** – Is the current that flows during a fault condition.

**Hot Sequence Metering** – The member’s circuit breakers are located downstream from the meter. (Turning off the circuit breakers does not de-energize the meter.)

**Lever Bypass** - A provision for paralleling the meter circuit, allowing the meter to be removed without interrupting service to the member.

**Meter Loop** - Any provision in which an electrical meter may be installed. Does not include the service disconnect device.

**Meter Pole** - A pole which supports member owned and maintained metering equipment.

**Meter Base/Socket** - The mounting device consisting of meter jaws, connectors and enclosure for accommodating socket-type meters. The mounting device may be either a single socket or a trough to accommodate more than one mounting unit.

**Metering Equipment** - Any equipment associated with measuring electric energy.

**NEC** - National Electrical Code

**NESC** - National Electrical Safety Code

**Neutral** - The grounded conductor in a single-phase, three-wire or three-phase, four-wire system. The service conductor that is at zero potential to ground.

**Point of Attachment (Point of Service)** - The point at which CORE's service conductors are attached to the member's premises by an approved insulated clevis.

**Point of Delivery** - The connection point of the meter base, on the member's premises, where CORE's circuit and the member's system are interconnected.

**Seal** - The locking device used to secure meter and/or service entrance equipment to assure safety and security for the unit.

**Secondary Voltage** - The lower voltage, after transformation, used to supply the member with electrical energy. Normally less than 600 V.

**Self-Contained** - In reference to meter sockets: a device designed and rated to continuously carry the entire capacity of the service entrance equipment through the meter.

**Service Entrance Conductors** - Those conductors which extend between the member's load center and point of delivery.

**Service Entrance Equipment** - Service conduit, conductors, weather head, meter base, enclosures, service disconnect, and load center.

**Service Mast** - The conduit above the meter used to provide mechanical protection for the service conductors and to support the service drop from CORE's system.

**Short Current** - Current flow when there is short circuit in the system and will represent the highest possible fault current that the system can experience.

**Temporary Service** - An electrical service connection installed by CORE to provide power to a member for a limited time (up to 18 months).

**UL** - (Underwriters Laboratories) A nationally recognized test laboratory which lists materials it has tested and accepted.

***DRAWING LIST***

---

**GENERAL**

Single-Phase Pad Mounted Equipment Clear Working Space ..... 10

Pad Mounted Three-Phase Transformer Clear Working Space..... 11

Pad Mounted Transformer Location Map and Minimum Clearances ..... 12

Minimum Distances for Pad Mounted Transformers..... 13

Pad Mounted Switchgear with Doors on Both Sides Clear Working Space ..... 14

Commercial Multi-Metering EUSERC Cabinet with Clear Working Space ..... 15

Concrete Filled Guard Post Location Requirements..... 16

Post Barrier ..... 17

**TEMPORARY**

Overhead Temporary Construction – Single-Phase (400 Amps or Less), Three-Phase (200 Amps or Less)..... 19

Temporary Underground Service at Meter Pedestal, Single-Phase (400 Amp or Less). 21

Temporary Underground Service at Transformer or Secondary Tap Enclosure Single-Phase (400 Amps or Less)..... 22

Temporary CT Meter Installation ..... 23

**RESIDENTIAL**

Meter and Conduit Location Detail and Meter Base/Socket Configurations ..... 27

Front Lot Meter and Conduit Location Detail and Meter Base/Socket Configuration .... 28

Meter on Building Underground Residential Single-Phase Service (400 Amps or Less) 29

Meter Pedestal Underground Residential Single-Phase Service (400 Amps or Less) ... 30

Single-Phase Overhead Residential (200 to 400 Amps)..... 31

Single-Phase Overhead – Meter Pole Residential (200 to 400 Amps)..... 32

EUSERC Single Meter ..... 33

Meter Wiring Detail and All In One Meter Housing Detail ..... 35

Multiple Meter Single-Phase Residential (200 Amps or Less per Meter) ..... 37

Residential Multi-Meter for EUSERC Applications..... 38

**COMMERCIAL**

Meter on Building Underground Commercial Service – Single-Phase (400 Amps or Less),  
Three Phase (200 Amps or Less)..... 46

Meter Pedestal Underground Commercial Single-Phase Service (400 Amps or Less) .. 47

Overhead Commercial or Industrial – Single-Phase (400 Amps or Less), Three-Phase  
(200 Amps or Less)..... 48

Meter Pole Commercial or Industrial – Single Phase (400 Amps or Less), Three-Phase  
(200 Amps or Less)..... 49

EUSERC Single Meter ..... 50

Multiple Meter Single-Phase Commercial (200 Amps or Less per Meter)..... 51

Commercial Multi-Metering for EUSERC Applications..... 52

Meter Base/Socket Configuration..... 62

EUSERC cabinet (DWG NO. 354) .....66

102/208 Volt CT EUSERC cabinet (DWG NO. 325) ..... 67

277/480 Volt CT/PT EUSERC cabinet (DWG NO. 326) ..... 68

277/480 Volt CT/PT EUSERC cabinet 0-1000 Amperes (CORE Drawing #3) ..... 69

277/480 Volt CT/PT EUSERC cabinet 1000-3000 Amperes (CORE Drawing #4) ..... 71

277/480 Volt CT/PT EUSERC cabinet 3001 Amperes and Above..... 73

Potential (Voltage) Transformer Mounting Pan (CORE Drawing #5) ..... 75