

REVISION RECORD

6/21/2023 REVISIONS

2/16/2024 REVISIONS

ISSUE RECORD

3-31-2023 ISSUED FOR PERMIT
9-8-2023 ISSUED FOR BID
11-2-2023 ISSUED FOR CONSTRUCTION

ISSUED FOR CONSTRUCTION
11/2/2023

PROFESSIONAL SEAL



PROTOTYPE VERSION
16U.3.8

PROJECT NAME

IN-N-OUT BURGER

PARKER COLORADO

S PARKER RD & PINE LANE
PARKER, CO 80134

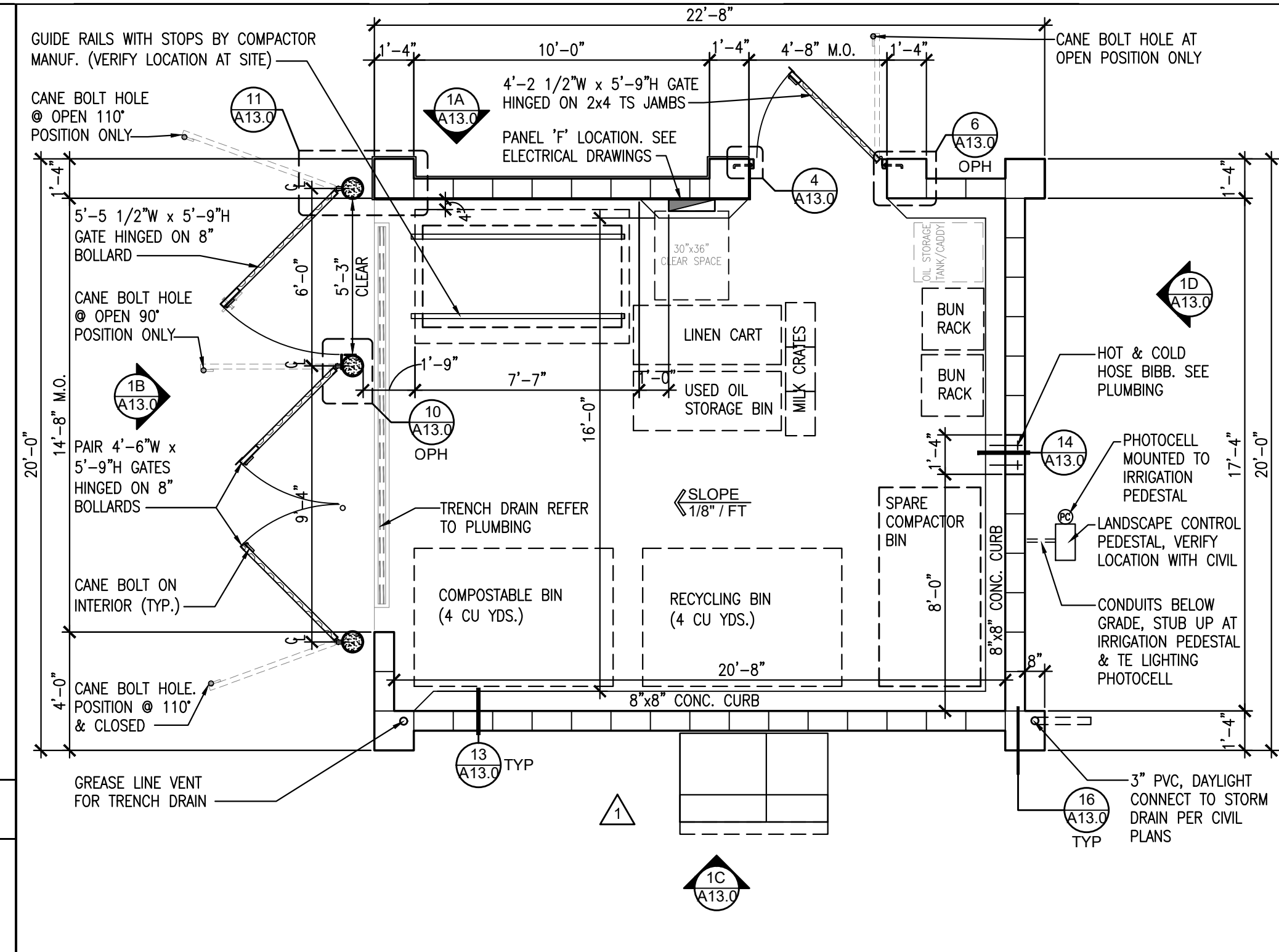


GOD BLESS AMERICA

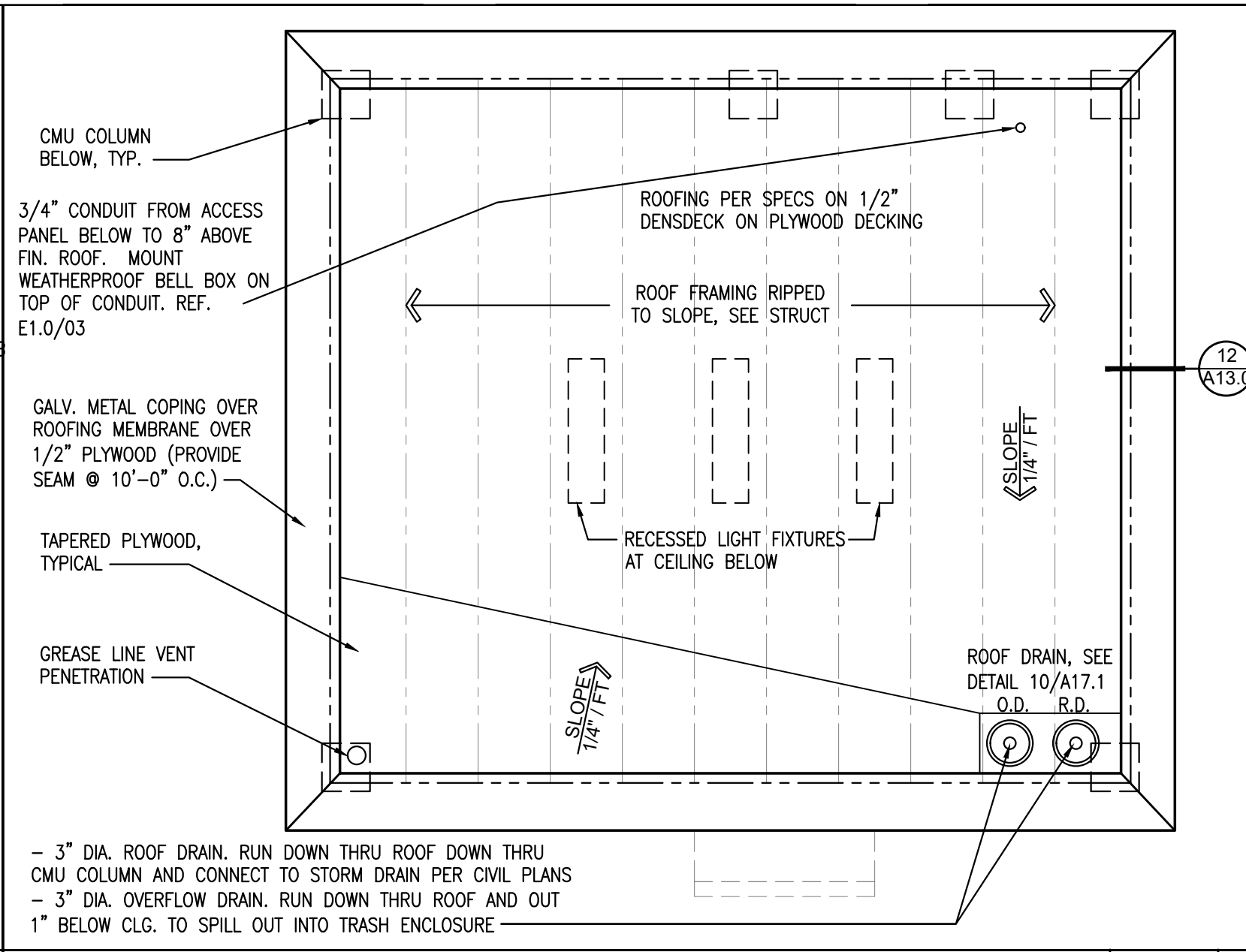
PROJECT NUMBER
210760

SHEET TITLE
TRASH ENCLOSURE
PLANS & ELEVATIONS
OPTION "B"

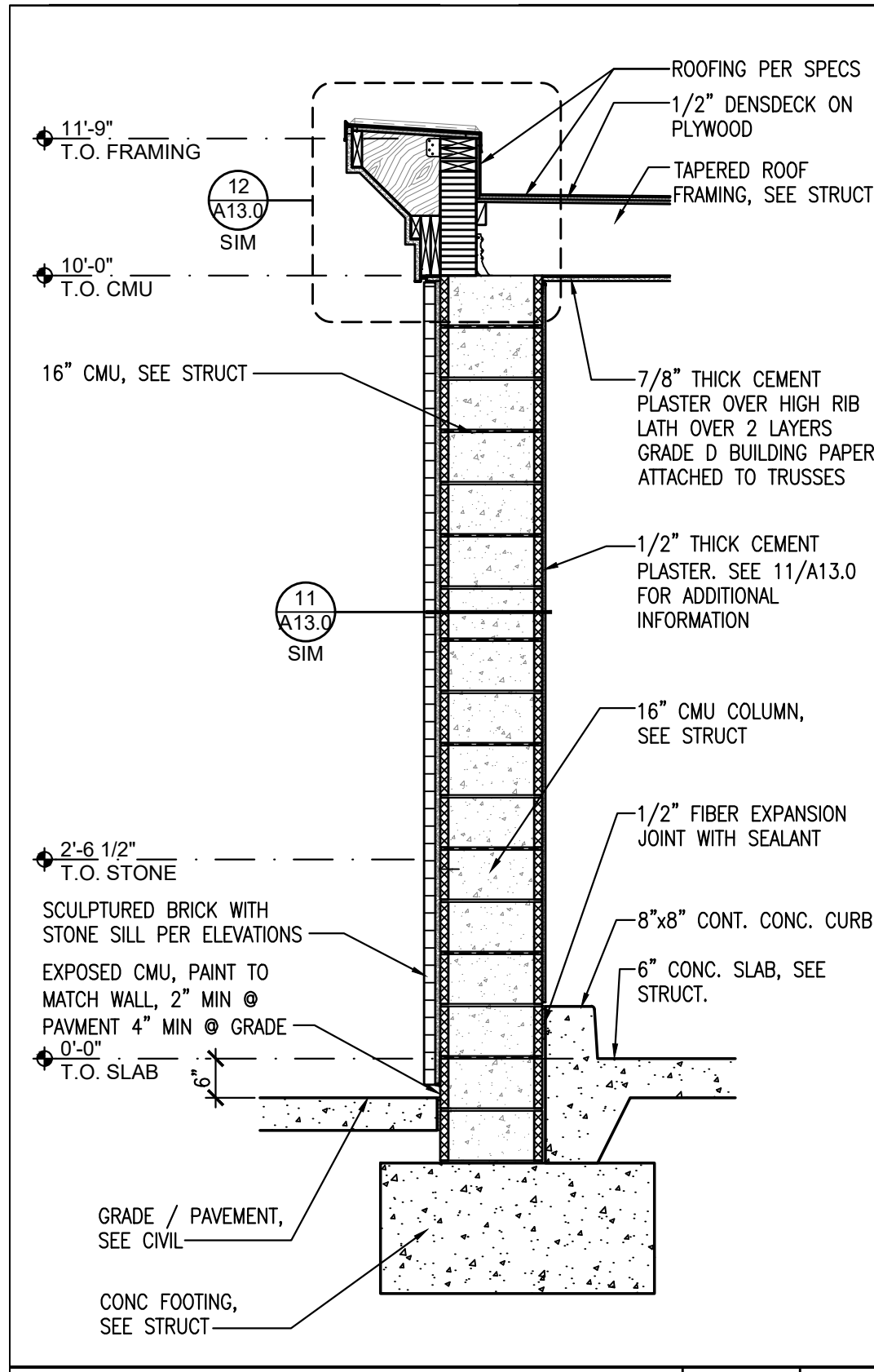
SHEET NUMBER
A13.0



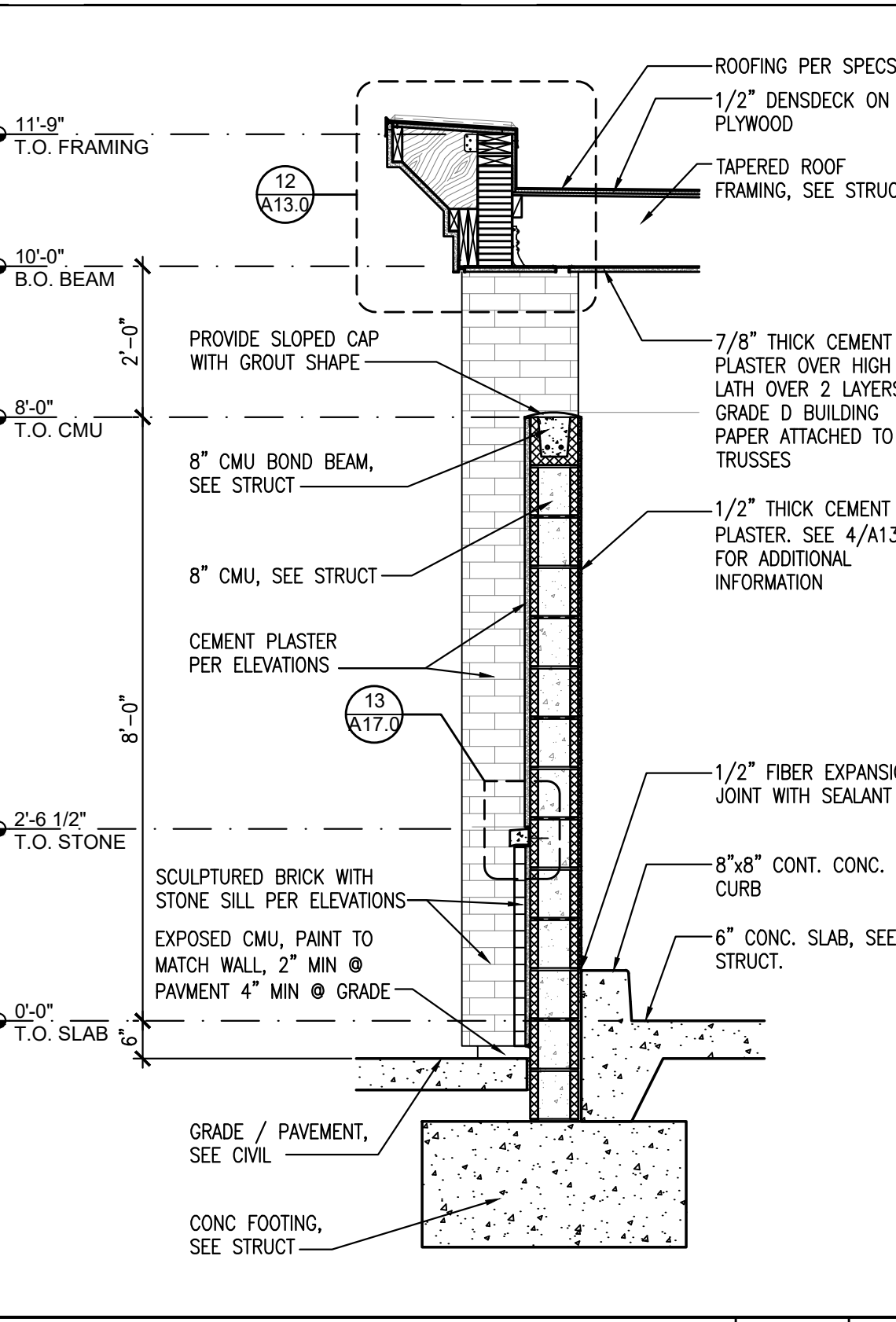
FLOOR PLAN SCALE 1/4" = 1'-0" 3



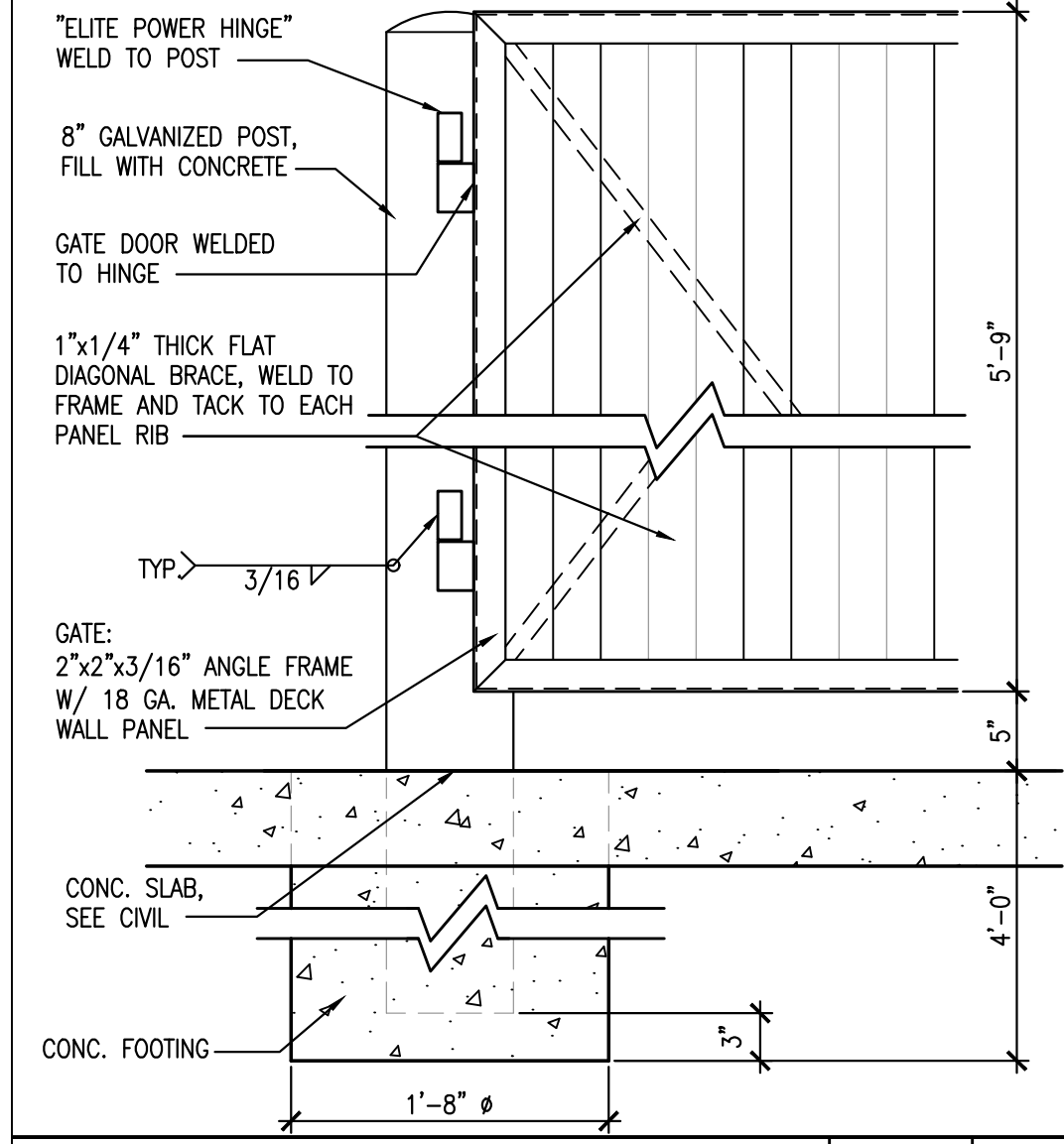
ROOF PLAN SCALE 1/4" = 1'-0" 7



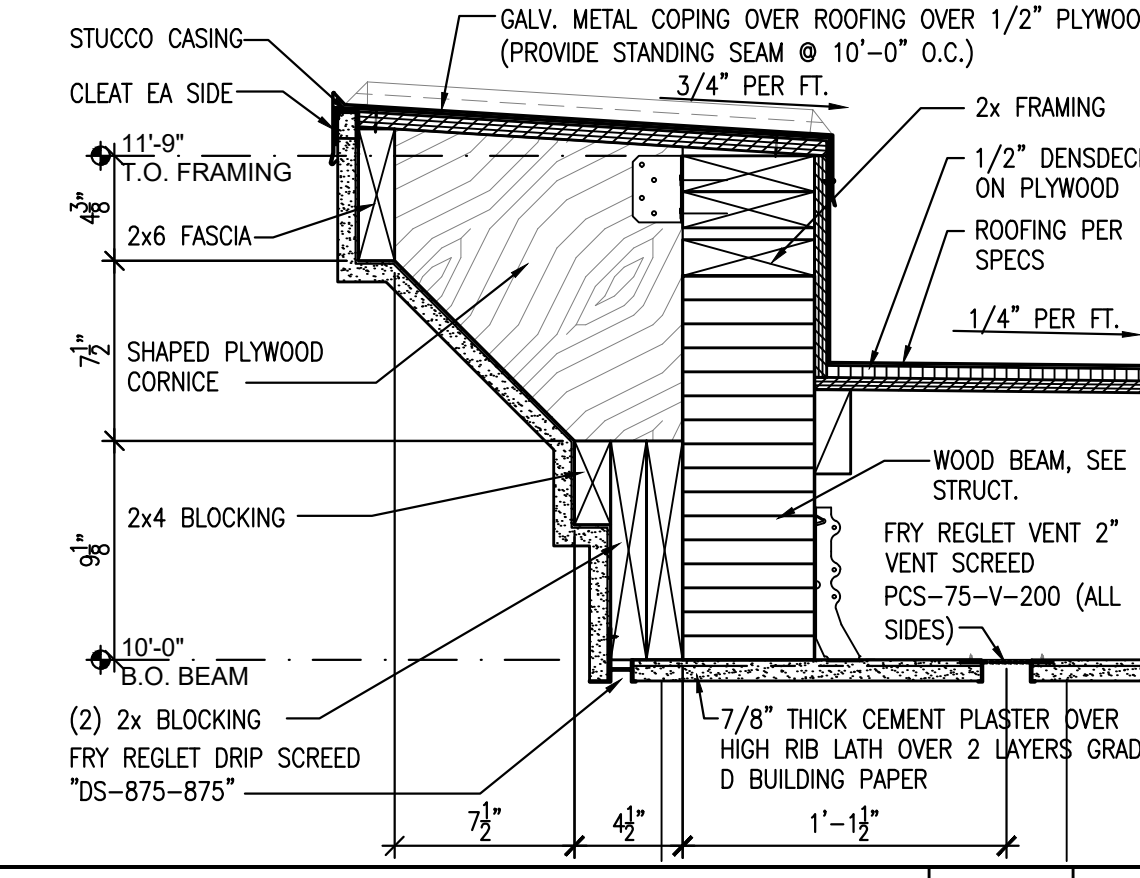
WALL SECTION 16 SCALE 1/2" = 1'-0"



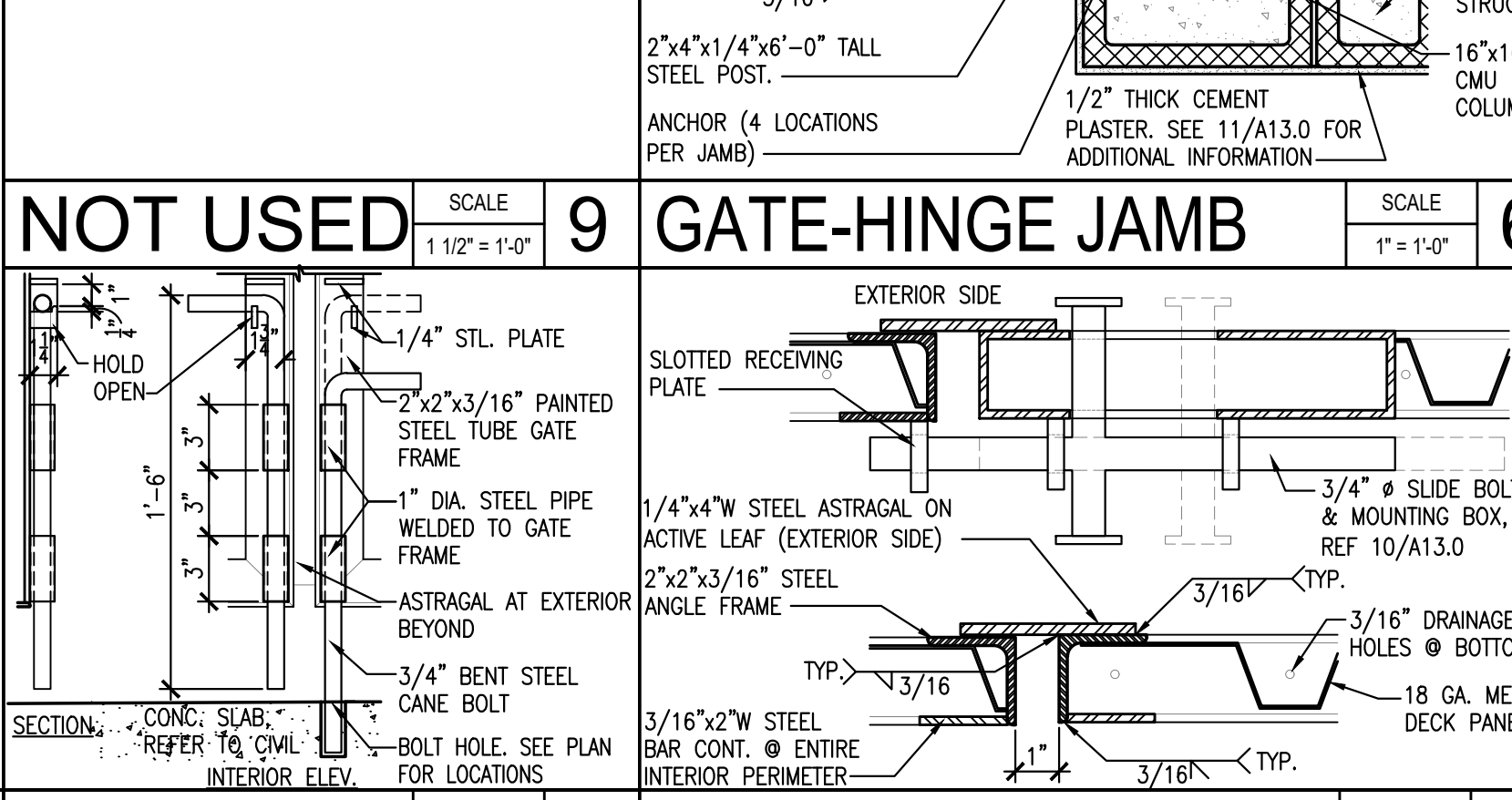
WALL SECTION 13 SCALE 1/2" = 1'-0"



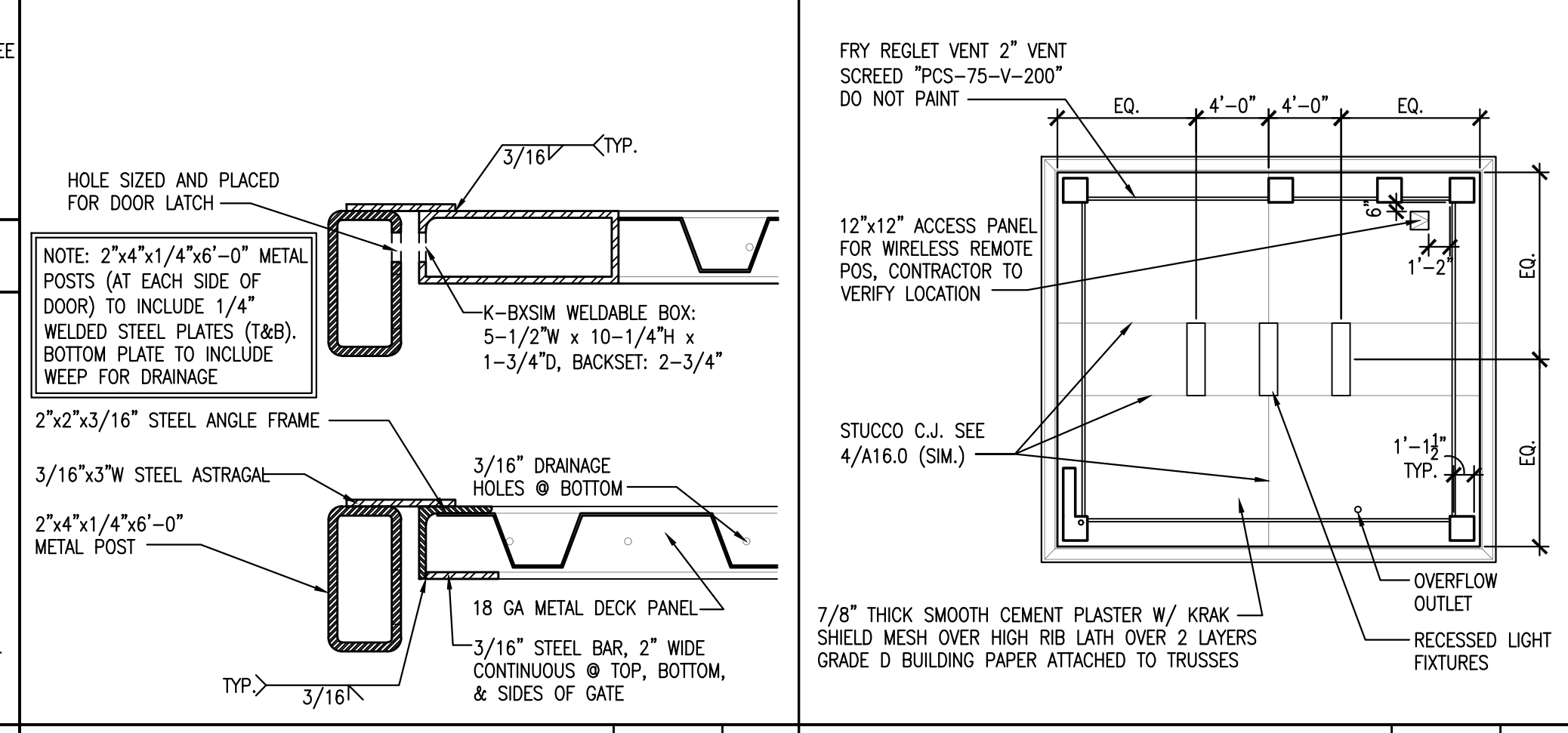
GATE HINGE DETAIL 15 SCALE 1" = 1'-0"



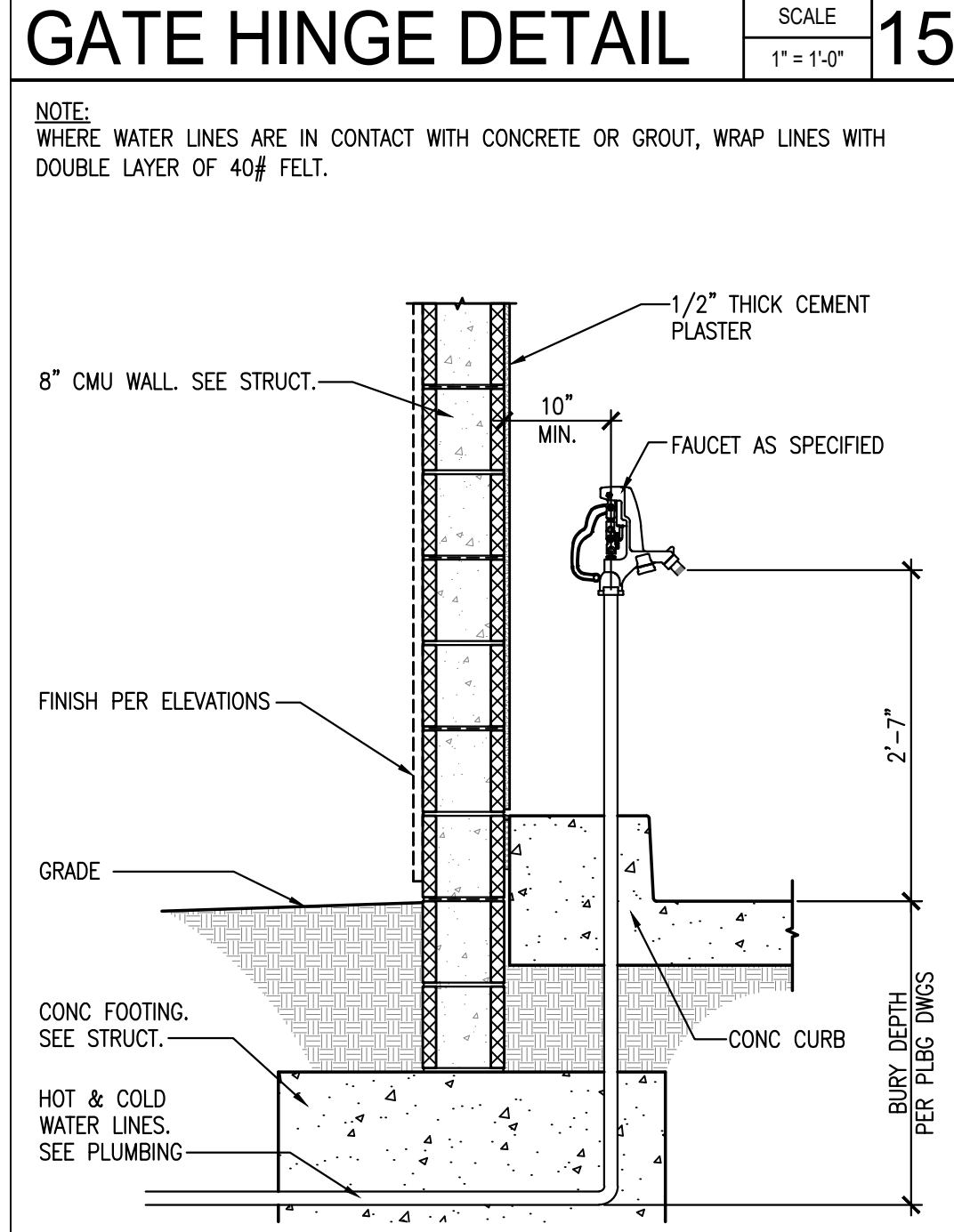
CORNICIE DETAIL 12 SCALE 1 1/2" = 1'-0"



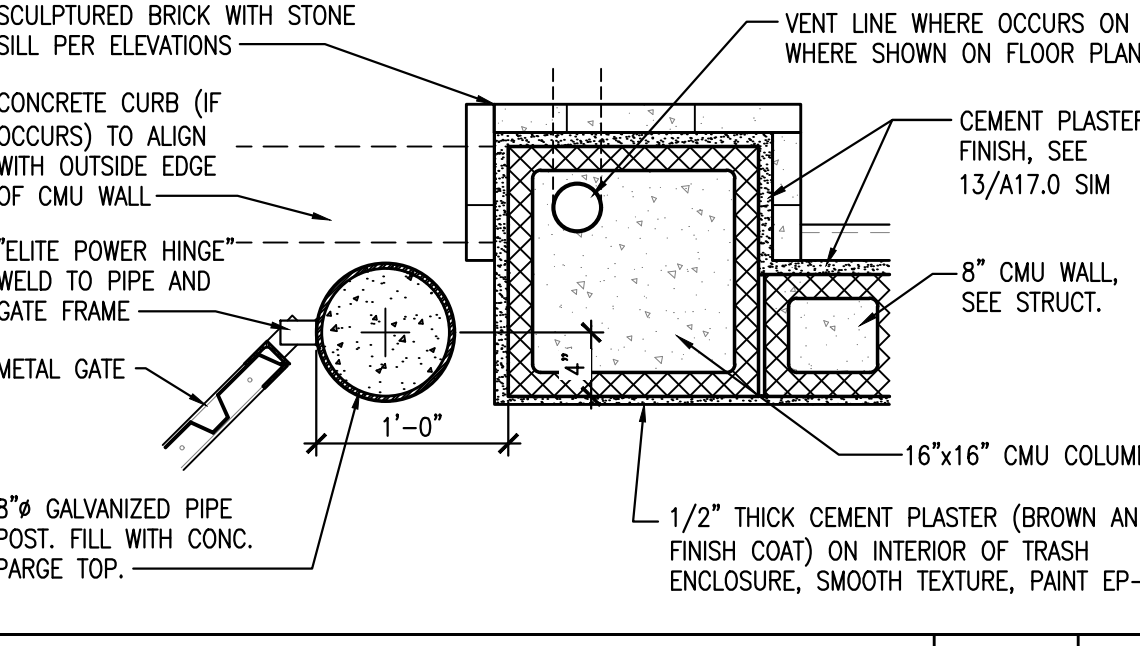
GATE-HINGE JAMB 6 SCALE 1" = 1'-0"



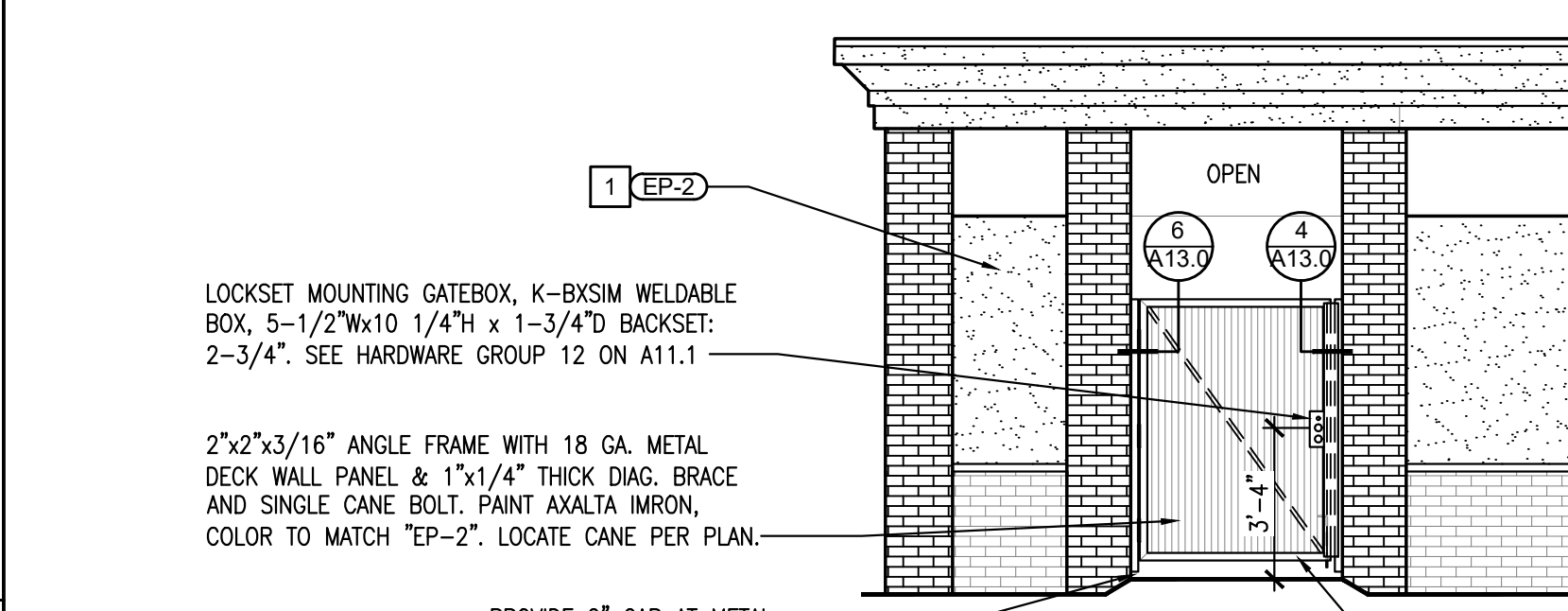
MAN GATE 4 SCALE 3" = 1'-0"



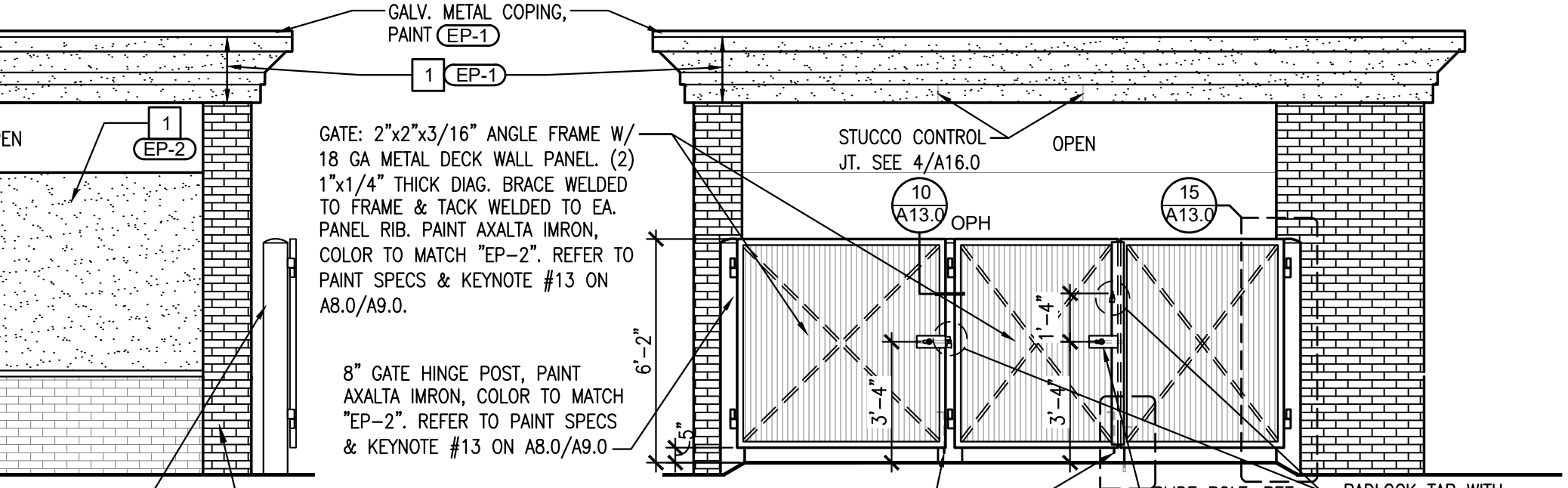
HOSE BIB DETAIL 14 SCALE 3/4" = 1'-0"



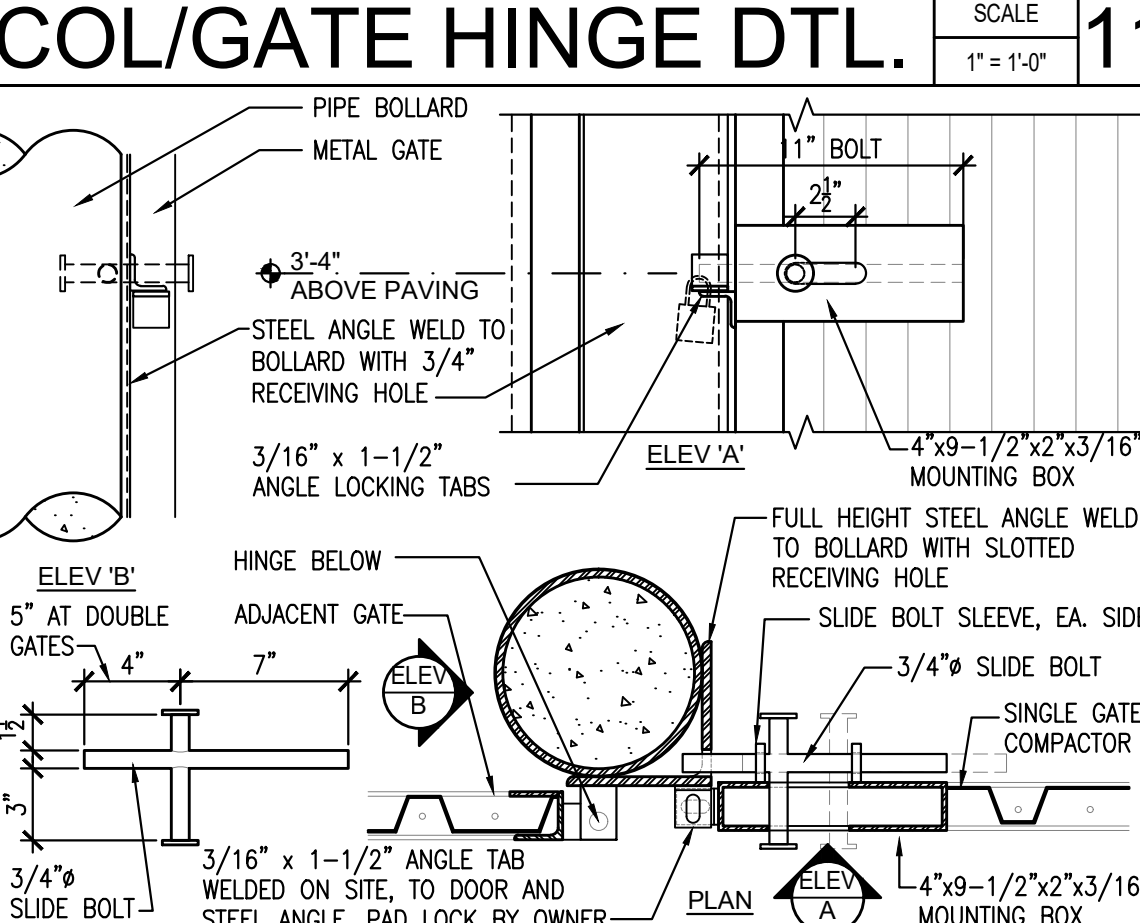
CANE BOLT 8 SCALE 1 1/2" = 1'-0"



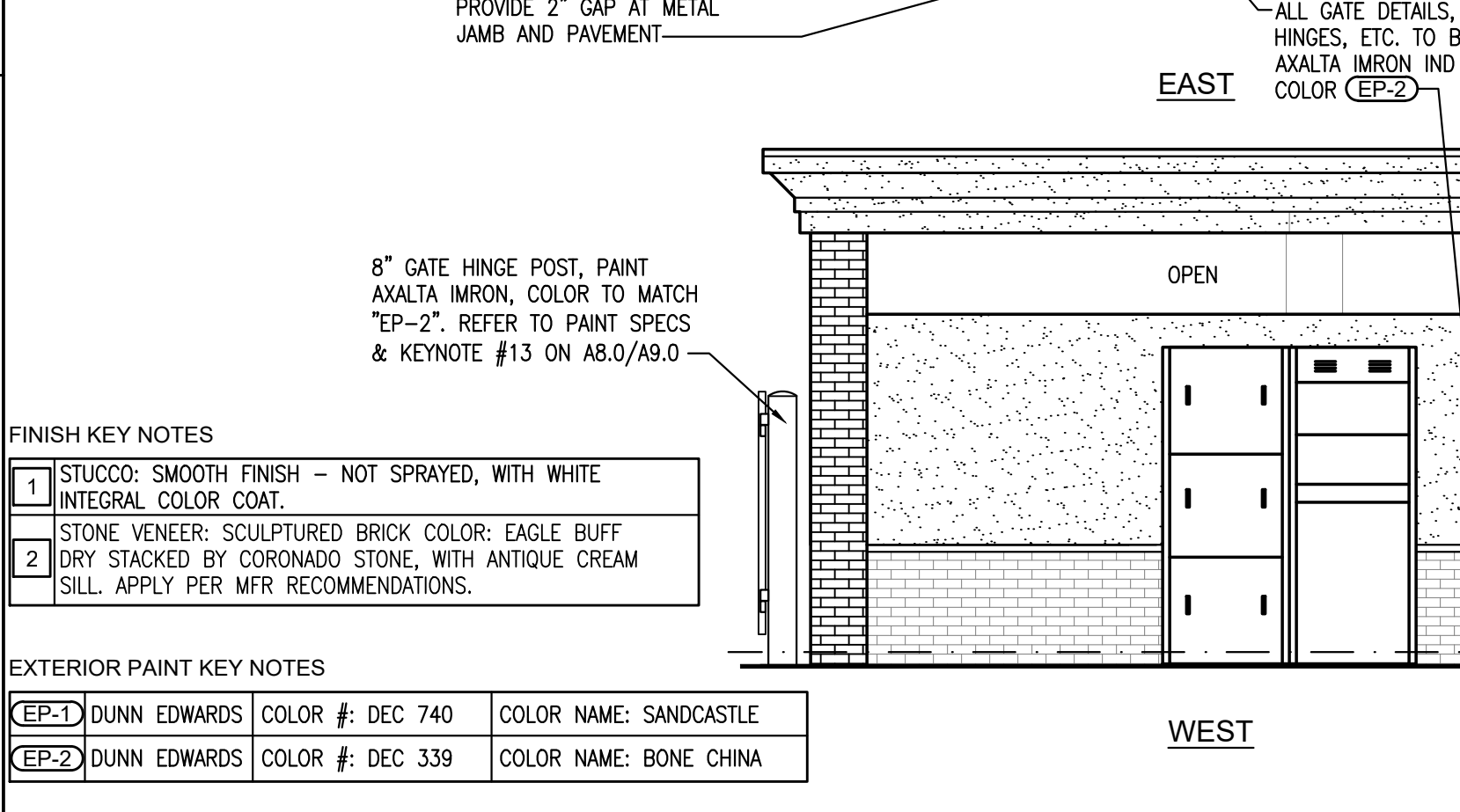
DOUBLE GATES 5 SCALE 3" = 1'-0"



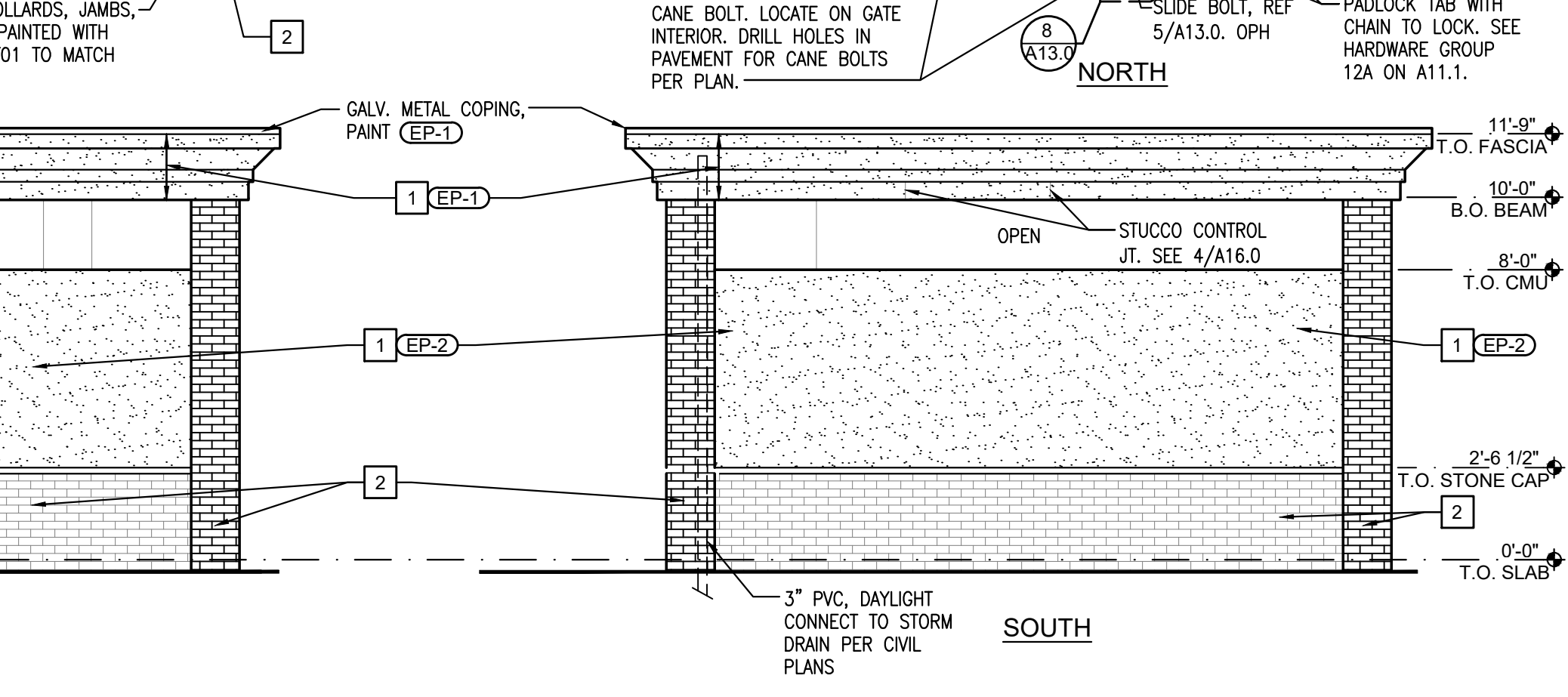
R.C.P. 2 SCALE 1/8" = 1'-0"



COL/GATE HINGE DTL. 11 SCALE 1" = 1'-0"



ELEVATIONS 10 SCALE 1 1/2" = 1'-0"



ELEVATIONS 1 SCALE 1/4" = 1'-0"

FINISH KEY NOTES

- STUCCO: SMOOTH FINISH - NOT SPRAYED, WITH WHITE INTEGRAL COLOR COAT.
- STONE VENEER: SCULPTURED BRICK COLOR: EAGLE BUFF
- DRY STACKED BY CORONADO STONE, WITH ANTIQUE CREAM SILL. APPLY PER MFR RECOMMENDATIONS.

EXTERIOR PAINT KEY NOTES

(EP-1) DUNN EDWARDS COLOR #: DEC 740 COLOR NAME: SANDCASTLE
(EP-2) DUNN EDWARDS COLOR #: DEC 339 COLOR NAME: BONE CHINA