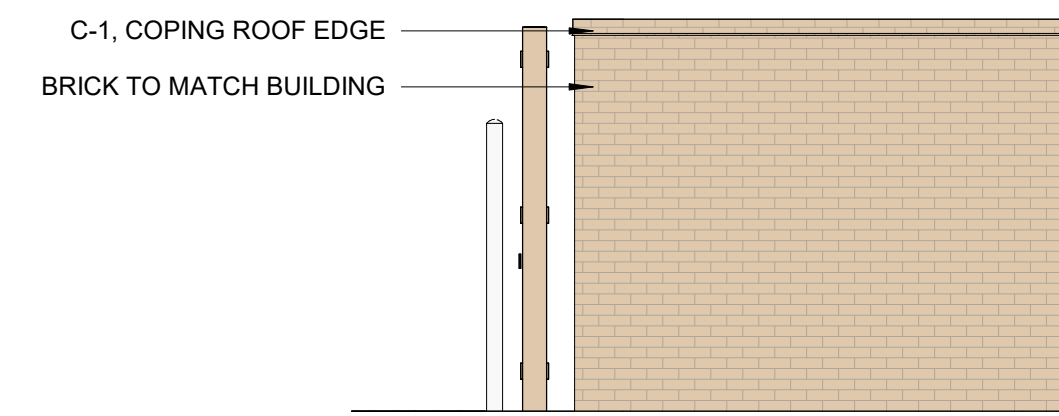


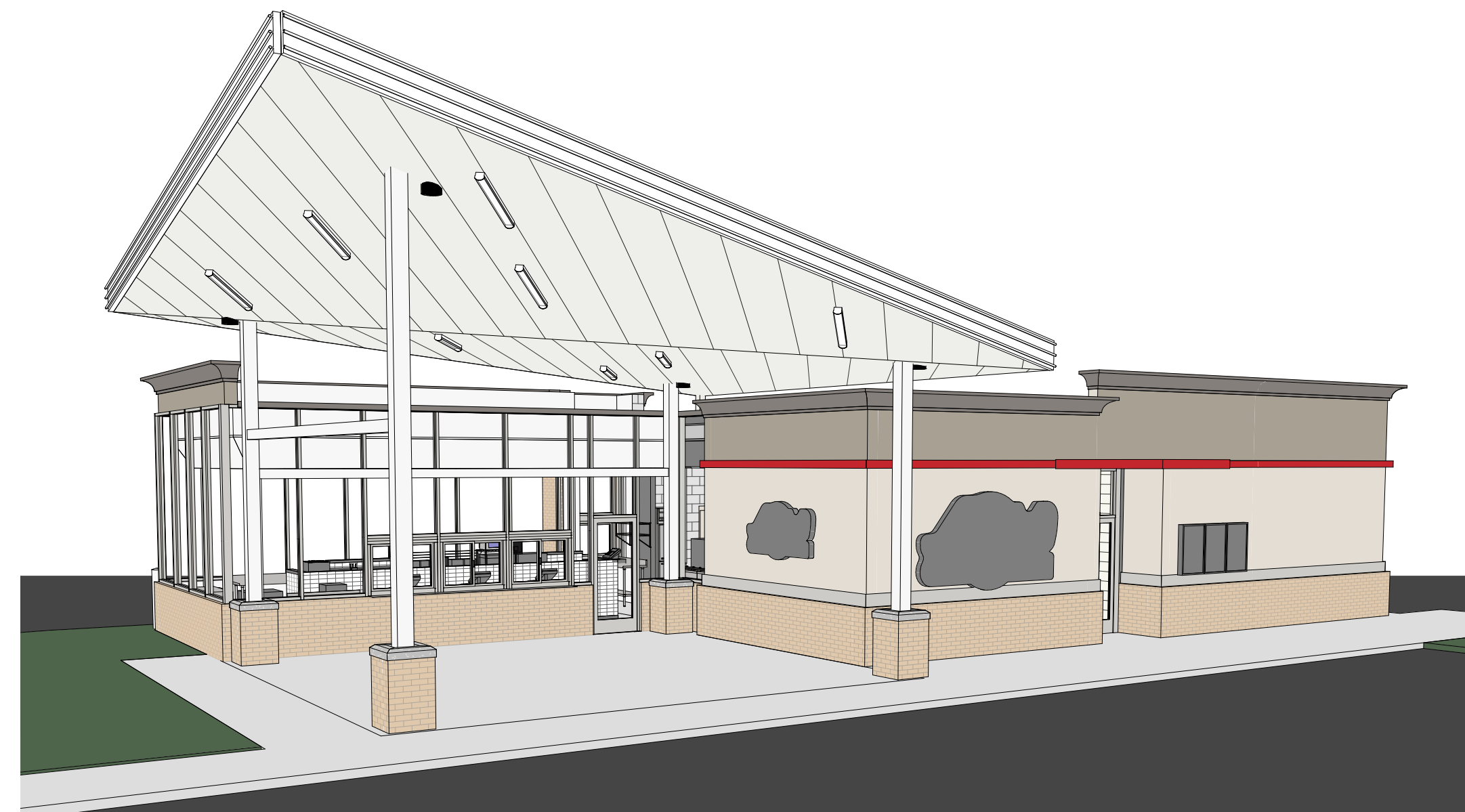
PLAZA STREET PARTNERS
LINCOLN PROFESSIONAL PARK FILING NO.1 LOT 3

LOCATED IN THE NORTHWEST QUARTER OF SECTION 15, TOWNSHIP 6 SOUTH,
 RANGE 66 WEST OF THE 6TH PRINCIPAL MERIDIAN,
 CITY OF PARKER, COUNTY OF DOUGLAS, STATE OF COLORADO

ARCHITECTURE CONSTRUCTION DRAWINGS
 MARCH 2023



3
 R002 **DUMPSTER ELEVATION - SIDE**
 1/4" = 1'-0"



4
 R002 **3D VIEW - 1**



BACK-LIT BANDING; REF TR-1 FOR COLORS
 NOTE: PHOTO IS INTENDED TO DISPLAY THE RED BANDING AND LIGHT SOURCE AND NOT REPRESENT THE BUILDING MATERIALS FOR THIS PROJECT LOCATION AS CHANGES MAY OCCUR AS REQ'D PER THE LOCAL AHJ.



SURFACE MOUNTED LED CANOPY LIGHT FIXTURE:
 NOTE: PHOTO IS INTENDED TO DISPLAY THE LIGHT FIXTURE AND NOT REPRESENT THE BUILDING MATERIALS FOR THIS PROJECT LOCATION AS CHANGES MAY OCCUR AS REQ'D PER THE LOCAL AHJ.

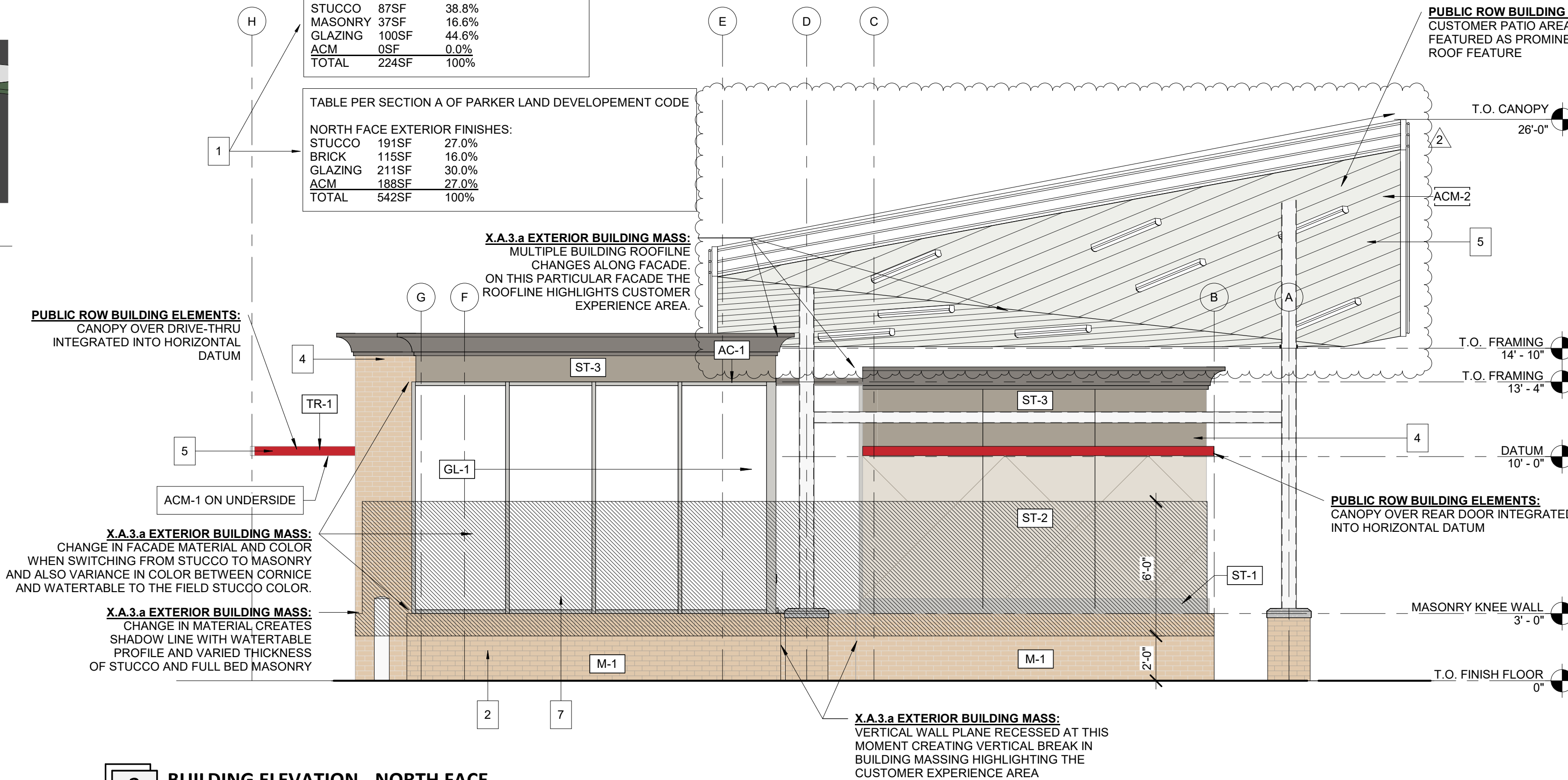
TRANSPARENCY REQUIREMENT (2'-0" TO 8'-0")

STUCCO	87SF	38.8%
MASONRY	37SF	16.6%
GLAZING	100SF	44.6%
ACM	0SF	0.0%
TOTAL	224SF	100%

TABLE PER SECTION A OF PARKER LAND DEVELOPEMENT CODE

NORTH FACE EXTERIOR FINISHES:

STUCCO	191SF	27.0%
BRICK	115SF	16.0%
GLAZING	211SF	30.0%
ACM	188SF	27.0%
TOTAL	542SF	100%

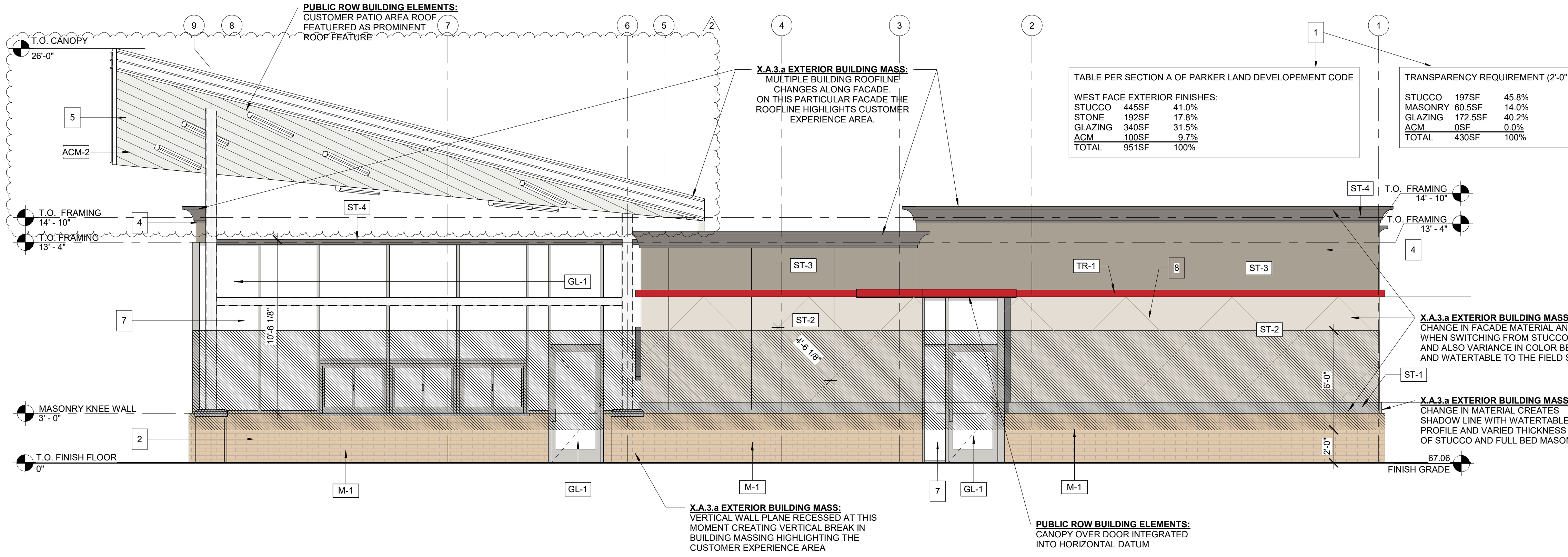


2
 R002 **BUILDING ELEVATION - NORTH FACE**
 1/4" = 1'-0"

EXTERIOR FINISH SCHEDULE

#	DESCRIPTION
ACM-1	COMPOSITE PANEL TYPE 1; COLOR: PVDF/KYNAR 500, BRITTE RED
ACM-2	COMPOSITE PANEL TYPE 2; PVDF/KYNAR 500, BONE WHITE.
GL-1	STOREFRONT TYPE 1; STOREFRONT, KAWNEER 451T, COLOR: CLEAR ANODIZED
M-1	MASONRY TYPE 1; SUMMIT MODULAR BRICK, COLOR: LIGHT PEWTER, GROUT COLOR: GRAY
N-1	PERIMETER FASCIA BY SIGNAGE VENDOR, ANODIZED ALUM. FASCIA W/ SHIELDED LED ACCENT LIGHTING.
ST-1	PAINTED STUCCO TO MATCH PT-3 (SW 2860 - CHELSEA GREY OR EQUIVALENT)
ST-2	PAINTED STUCCO TO MATCH PT-4 (SW 7035 - AESTHETIC WHITE)
ST-3	PAINTED STUCCO TO MATCH PT-5 (SW 7054 - INTELLECTUAL GRAY)
ST-4	PAINTED STUCCO TO MATCH PT-6 (SW 9554 - GOING GREY)
TR-1	BUILDING ACCENT TRIM: ALUM. BRAKE-METAL, COLOR: MATCH ACM-1 BRITTE RED

- ELEVATION KEYNOTES**
- SECTION A, 2-C-I OF PARKER LAND DEVELOPEMENT CODE MET. PARAPETS PROVIDED CLEARLY ARTICULATE THE TOP OF THE BUILDING AS OF A 3-C-II. ROOF IS INTEGRAL TO THE MASSING OF THE BUILDING AS OF A 3-C-IV. USING ACCEPTED FLAT ROOF AS MENTIONED IN A. 3-C-V.
 - SECTION A, 3-A OF PARKER LAND DEVELOPEMENT CODE MET BY BREAKING MATERIALS HORIZONTALLY FROM BRICK TO STUCCO. SEE ELEVATIONS.
 - SECTION A, 3-C OF PARKER LAND DEVELOPEMENT CODE MET. PARAPETS PROVIDED CLEARLY ARTICULATE THE TOP OF THE BUILDING AS OF A 3-C-II. ROOF IS INTEGRAL TO THE MASSING OF THE BUILDING AS OF A 3-C-IV. USING ACCEPTED FLAT ROOF AS MENTIONED IN A. 3-C-V.
 - SECTION A, 3-D OF PARKER LAND DEVELOPEMENT CODE MET. PARAPETS HAVE BEEN BROKEN UP IN HEIGHT ON THE NORTH AND EAST SIDE OF BUILDING. SEE ELEVATIONS.
 - SECTION C, 1-A OF PARKER LAND DEVELOPEMENT CODE MET. TWO REQUIRED DESIGN ELEMENTS ARE THE WING CANOPY AND DRIVE-THRU AWNING
 - SECTION C, 2 OF PARKER LAND DEVELOPEMENT CODE DOES NOT APPLY. NO PUBLIC ENTRIES.
 - SECTION C, 3 OF PARKER LAND DEVELOPEMENT CODE MET. STUCCO CONTROL JOINTS TO BE 1" IN THICKNESS, COLOR TO MATCH PT-5.
 - SECTION C, 3 OF PARKER LAND DEVELOPEMENT CODE MET. STOREFRONT ALONG BUILDING MEETS ALL REQUIREMENTS.



1
 R002 **BUILDING ELEVATION - WEST FACE (ROAD B)**
 1/4" = 1'-0"

TABLE PER SECTION A OF PARKER LAND DEVELOPEMENT CODE

WEST FACE EXTERIOR FINISHES:

STUCCO	445SF	41.0%
STONE	192SF	17.8%
GLAZING	340SF	31.5%
ACM	100SF	9.7%
TOTAL	951SF	100%

TRANSPARENCY REQUIREMENT (2'-0" TO 8'-0")

STUCCO	197SF	45.8%
MASONRY	60.5SF	14.0%
GLAZING	172.5SF	40.2%
ACM	0SF	0.0%
TOTAL	430SF	100%



702 SE 5TH ST STE 30
 BENTONVILLE, AR 72712
 TEL: 479.579.9959

Drawings & Specifications as instruments of service are & shall remain the property of the Architect. They are not to be used on other projects or extensions to this project except by agreement in writing & with appropriate compensation to the Architect.
 Contractor is responsible for confirming and correlating dimensions at job site. The Architect will not be responsible for construction means, methods, techniques, sequences or procedures, or for safety precautions and programs in connection with the project.
 ©Copyright 2022

CLIENT NAME
 PLAZA STREET PARTNERS

TENANT
 ANDY'S FROZEN CUSTARD
 211 E. WATER STREET SPRINGFIELD, MO 65806

MEP CONSULTANT
 702 SE 5TH ST, SUITE 30,
 BENTONVILLE, AR 72712
 CONTACT: ANDREW FINNEGAN, P.E.

PROTO.REF. SET: 05/18/2021

ANDY'S FROZEN CUSTARD
 PARKER, COLORADO

NOT FOR CONSTRUCTION

12/10/2024
 Architect Name - RYAN M. FAUST
 Architect Number - ARC 00404846

REVISIONS

NO.	DATE	DESCRIPTION
2	12/10/2024	REVISION 2

Drawing Size: 24 x 36
 Project #: 22038
 Drawn By: MBN
 Checked By: RMF

Title:
 PROPOSED REVIEW BOARD ELEVATIONS

Sheet Number:
R002

Date: 03/05/2024 Store #: XXXXX

C:\Users\brewer\Documents\22038_ANDYS_FROZEN_CUSTARD_PARKER_CO_A_R20_brewer\3GDD7.rvt 12/13/2024 3:06:40 PM

PLAZA STREET PARTNERS
LINCOLN PROFESSIONAL PARK FILING NO.1 LOT 3

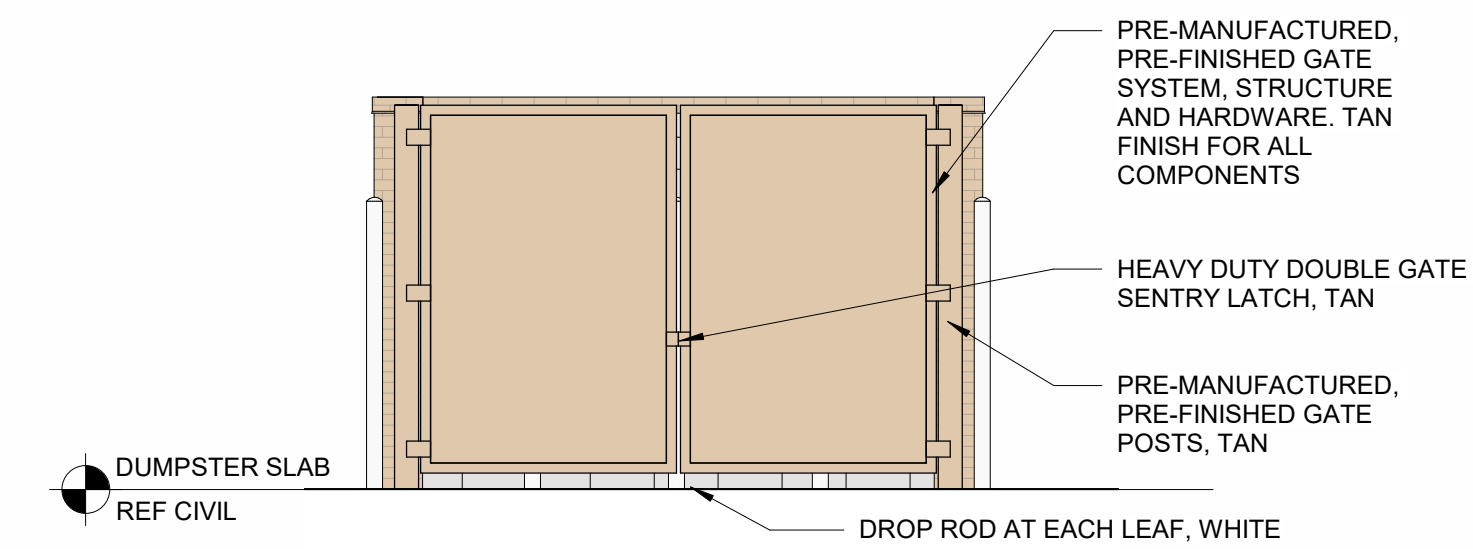
LOCATED IN THE NORTHWEST QUARTER OF SECTION 15, TOWNSHIP 6 SOUTH,
 RANGE 66 WEST OF THE 6TH PRINCIPAL MERIDIAN,
 CITY OF PARKER, COUNTY OF DOUGLAS, STATE OF COLORADO

CIVIL CONSTRUCTION DRAWINGS

MARCH 2023



4
 R003 3D VIEW - 2



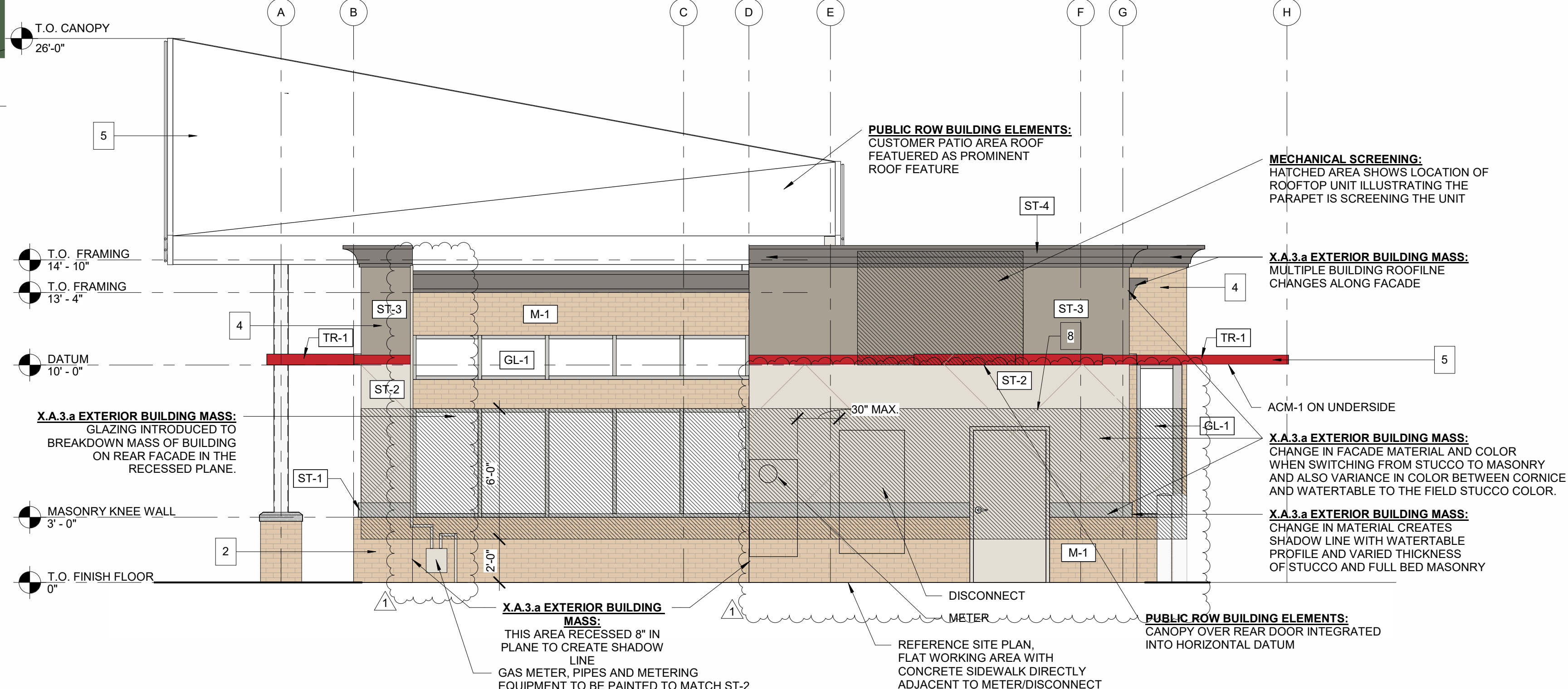
3
 R003 DUMPSTER ELEVATION - GATES
 1/4" = 1'-0"

TABLE PER SECTION A OF PARKER LAND DEVELOPMENT CODE

SOUTH FACE EXTERIOR FINISHES:			
STUCCO	288SF	60.0%	
BRICK	104SF	21.0%	
GLAZING	93SF	19.0%	
TOTAL	485SF	100%	

TRANSPARENCY REQUIREMENT (2'-0" TO 8'-0")

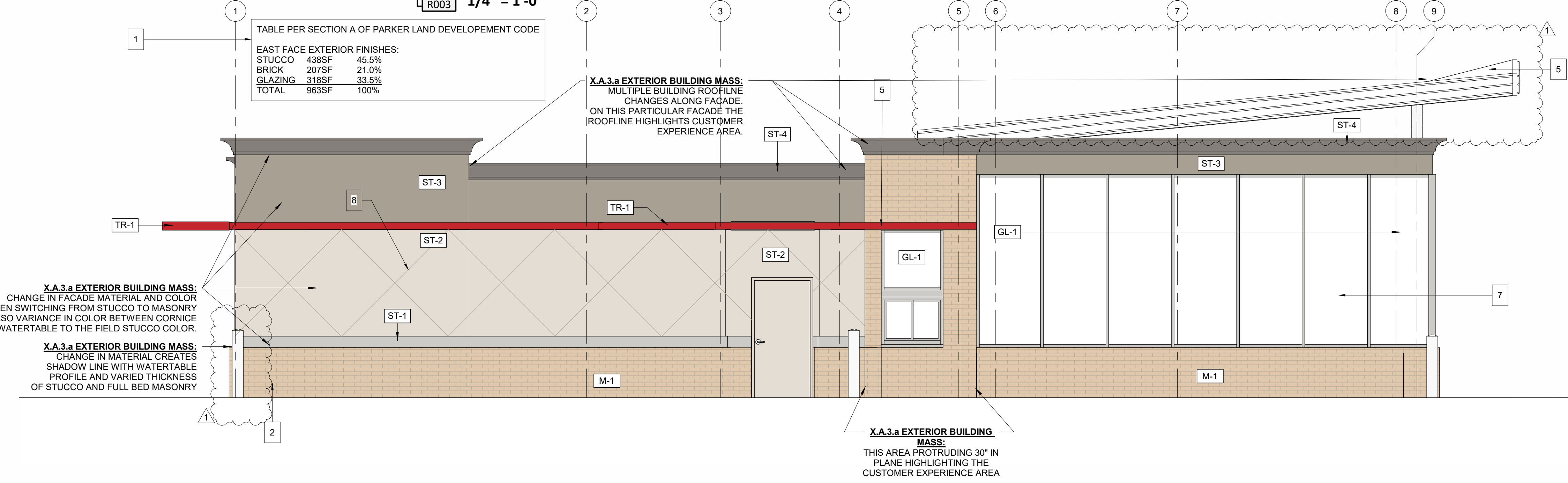
STUCCO	94SF	41.4%
MASONRY	38SF	16.8%
GLAZING	95SF	41.8%
ACM	0SF	0.0%
TOTAL	227SF	100%



2
 R003 BUILDING ELEVATION - FACING SOUTH FACE (ROAD A)
 1/4" = 1'-0"

TABLE PER SECTION A OF PARKER LAND DEVELOPMENT CODE

EAST FACE EXTERIOR FINISHES:			
STUCCO	438SF	45.5%	
BRICK	207SF	21.0%	
GLAZING	318SF	33.5%	
TOTAL	963SF	100%	



1
 R003 BUILDING ELEVATION - EAST FACE
 1/4" = 1'-0"

EXTERIOR FINISH SCHEDULE

#	DESCRIPTION
ACM-1	COMPOSITE PANEL TYPE 1; COLOR: PVDF/KYNAR 500, BRITE RED
ACM-2	COMPOSITE PANEL TYPE 2; PVDF/KYNAR 500, BONE WHITE.
GL-1	STOREFRONT TYPE 1: STOREFRONT, KAWNEER 451T. COLOR: CLEAR ANODIZED
M-1	MASONRY TYPE 1: SUMMIT MODULAR BRICK. COLOR: LIGHT PERIMETER, GROUT COLOR: GRAY
N-1	PERIMETER FASCIA BY SIGNAGE VENDOR. ANODIZED ALUM. FASCIA W/ SHIELDED LED ACCENT LIGHTING.
ST-1	PAINTED STUCCO TO MATCH PT-3 (SW 2850 - CHELSEA GREY OR EQUIVALENT)
ST-2	PAINTED STUCCO TO MATCH PT-4 (SW 7035 - AESTHETIC WHITE)
ST-3	PAINTED STUCCO TO MATCH PT-5 (SW 7054 - INTELLECTUAL GRAY)
ST-4	PAINTED STUCCO TO MATCH PT-6 (SW 9554 - GOING GREY)
TR-1	BUILDING ACCENT TRIM: ALUM. BRAKE-METAL. COLOR: MATCH ACM-1 BRITE RED

ELEVATION KEYNOTES

- SECTION A. 2-C4 OF PARKER LAND DEVELOPMENT CODE MET. SEE MATERIAL AND GLAZING TABLE ON ELEVATIONS.
- SECTION A. 3-A OF PARKER LAND DEVELOPMENT CODE MET BY BREAKING MATERIALS HORIZONTALLY FROM BRICK TO STUCCO. SEE ELEVATIONS.
- SECTION A. 3-C OF PARKER LAND DEVELOPMENT CODE MET. PARAPETS PROVIDED CLEARLY ARTICULATE THE TOP OF THE BUILDING AS OF A. 3-C-III. ROOF IS INTEGRAL TO THE MASSING OF THE BUILDING AS OF A. 3-C-IV. USING ACCEPTED FLAT ROOF AS MENTIONED IN A. 3-C-V.
- SECTION A. 3-D OF PARKER LAND DEVELOPMENT CODE MET. PARAPETS HAVE BEEN BROKEN UP IN HEIGHT ON THE NORTH AND EAST SIDE OF BUILDING. SEE ELEVATIONS.
- SECTION C. 1-A OF PARKER LAND DEVELOPMENT CODE MET. TWO REQUIRED DESIGN ELEMENTS ARE THE WING CANOPY AND DRIVE-THRU AWNING
- SECTION C. 2 OF PARKER LAND DEVELOPMENT CODE DOES NOT APPLY. NO PUBLIC ENTRIES.
- SECTION C. 3 OF PARKER LAND DEVELOPMENT CODE MET. STOREFRONT ALONG BUILDING MEETS ALL REQUIREMENTS. STUCCO CONTROL JOINTS TO BE 1" IN THICKNESS. COLOR TO MATCH PT-5.

b.u.f
 STUDIO

702 SE 5TH ST STE 30
 BENTONVILLE, AR 72712
 TEL. 479.579.9959

Drawings & Specifications as instruments of service are & shall remain the property of the Architect. They are not to be used on other projects or extensions to this project except by agreement in writing & with appropriate compensation to the Architect.

Contractor is responsible for confirming and correlating dimensions at job site. The Architect will not be responsible for construction means, methods, techniques, sequences or procedures, or for safety precautions and programs in connection with the project.

©Copyright 2022

CLIENT NAME
 PLAZA STREET PARTNERS

TENANT
 ANDY'S FROZEN CUSTARD
 211 E. WATER STREET SPRINGFIELD,
 MO 65806

MEP CONSULTANT
 702 SE 5TH ST. SUITE 30,
 BENTONVILLE, AR 72712
 CONTACT: ANDREW FINNEGAN, P.E.

PROTO: REF. SET: 05/18/2021

ANDY'S FROZEN CUSTARD
 PARKER, COLORADO

NOT FOR CONSTRUCTION

12/10/2024
Architect Name - RYAN M. FAUST
Architect Number - ARC.00404846

THE SEAL & SIGNATURE APPLY ONLY TO THE DOCUMENT TO WHICH THEY ARE AFFIXED & WE EXPRESSLY DISCLAIM ANY RESPONSIBILITY FOR ALL OTHER PLANS, SPECIFICATIONS, ESTIMATES, REPORTS OR OTHER DOCUMENTS OR INSTRUMENTS RELATING TO OR INTENDED TO BE USED FOR ANY PART OR PARTS OF THE PROJECT.

REVISIONS	
NO.	DESCRIPTION
1	12/10/2024 REV 1

Drawing Size: 24 x 36 Project #: 22038
 Drawn By: MBN Checked By: RMF
 Title: PROPOSED REVIEW BOARD ELEVATIONS

Sheet Number: **R003**
 Date: 03/05/2024 Store #: XXXXX

C:\Users\brewer\Documents\22038_ANDYS_FROZEN_PARKER_CO_A_R20_brewer\3GDD7.rvt 12/13/2024 3:06:45 PM

LINCOLN PROFESSIONAL PARK FILING NO.1 LOT 3

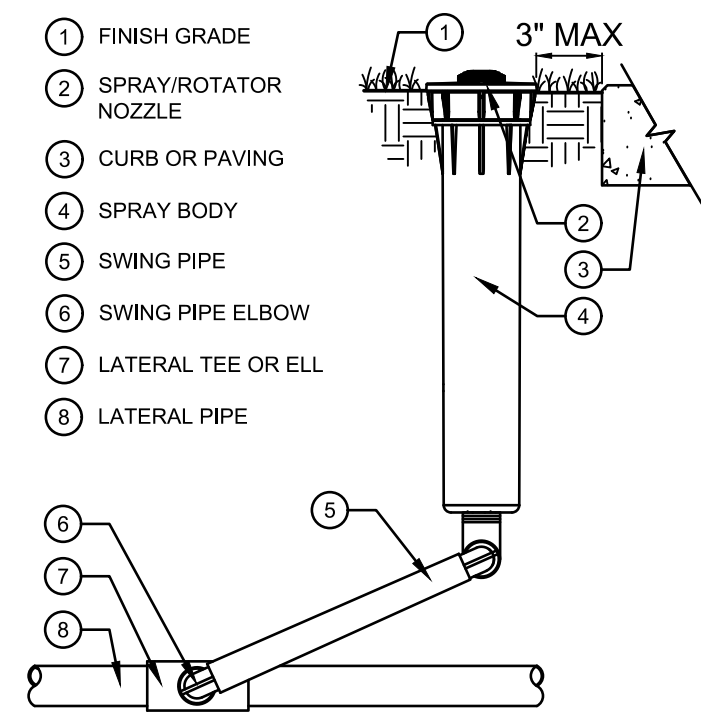
LOCATED IN THE NORTHWEST QUARTER OF SECTION 15, TOWNSHIP 6 SOUTH,
RANGE 66 WEST OF THE 6TH PRINCIPAL MERIDIAN,
CITY OF PARKER, COUNTY OF DOUGLAS, STATE OF COLORADO

SITE PLAN DOCUMENTS

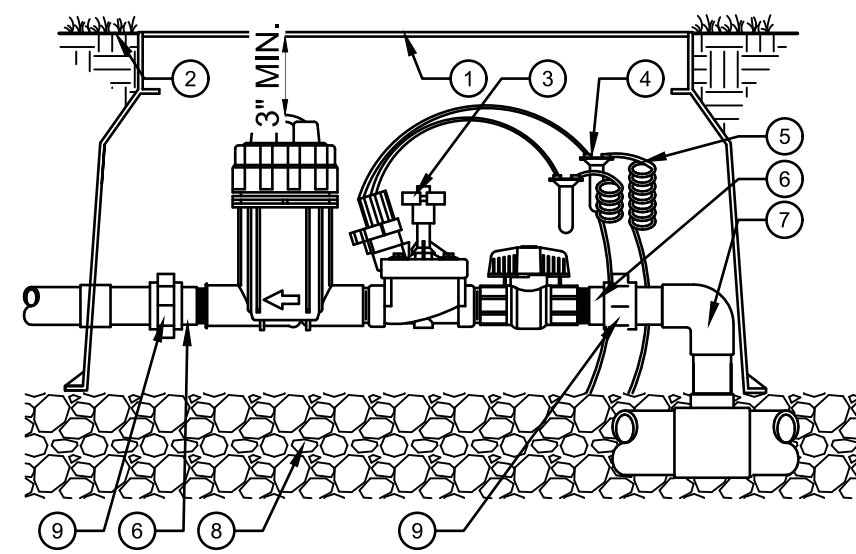
MARCH 2023

PRELIMINARY
NOT FOR BIDDING
NOT FOR CONSTRUCTION

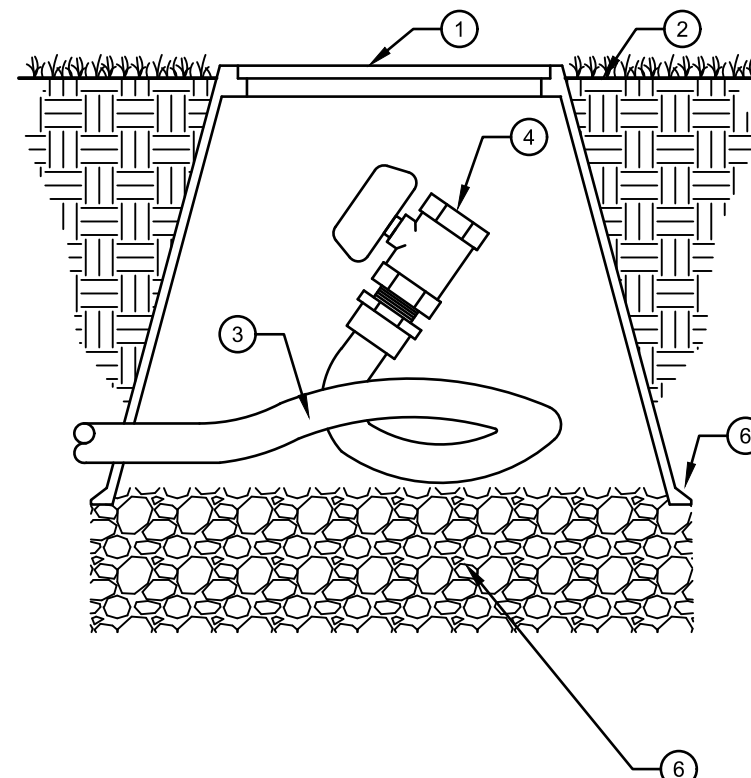
COPYRIGHT
THESE PLANS ARE AN INSTRUMENT OF SERVICE AND ARE THE PROPERTY OF GALLOWAY, AND MAY NOT BE DUPLICATED, DISCLOSED, OR REPRODUCED WITHOUT THE WRITTEN CONSENT OF GALLOWAY. COPYRIGHTS AND INFRINGEMENTS WILL BE ENFORCED AND PROSECUTED.



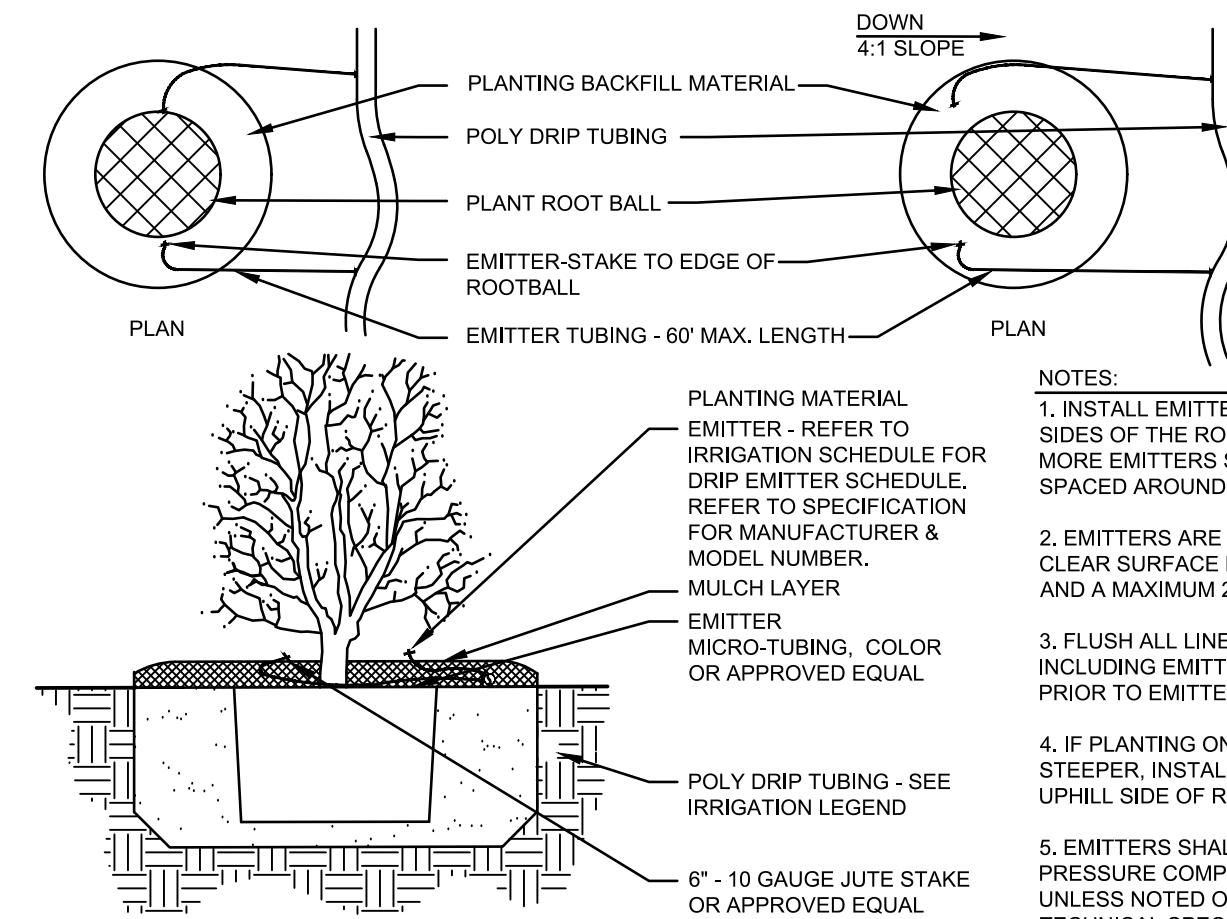
1 SPRAY/ROTATOR
SCALE: NOT TO SCALE



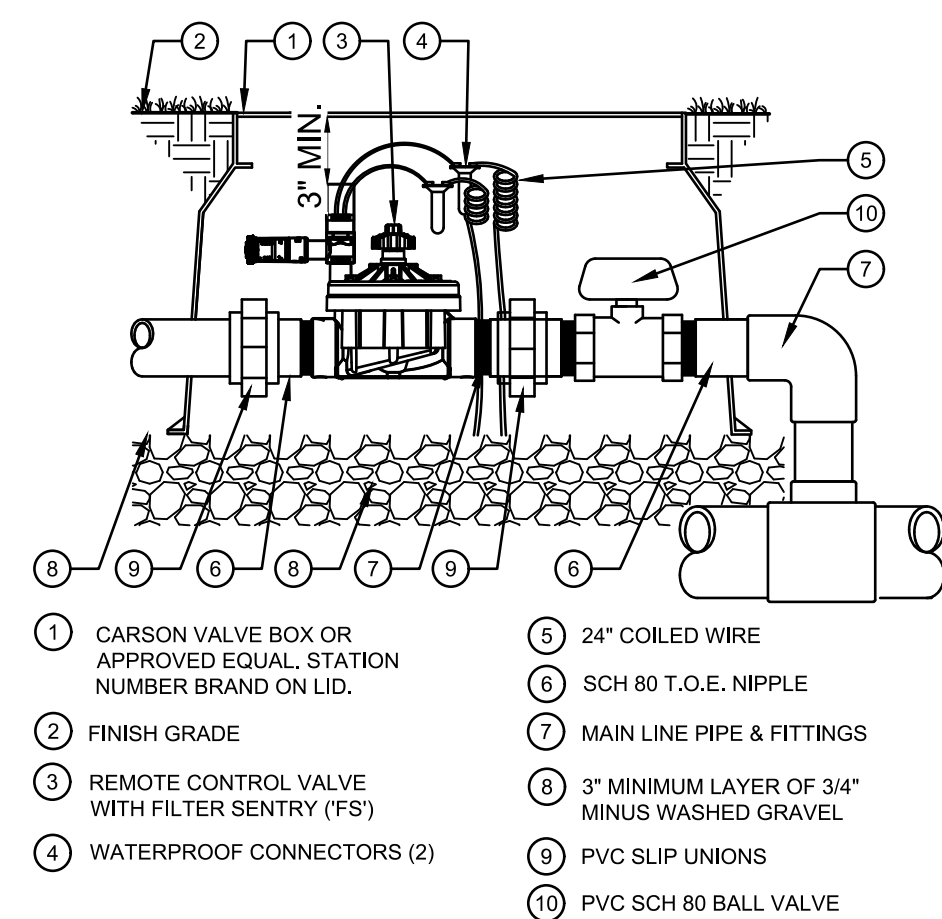
2 REMOTE DRIP CONTROL VALVE
SCALE: NOT TO SCALE



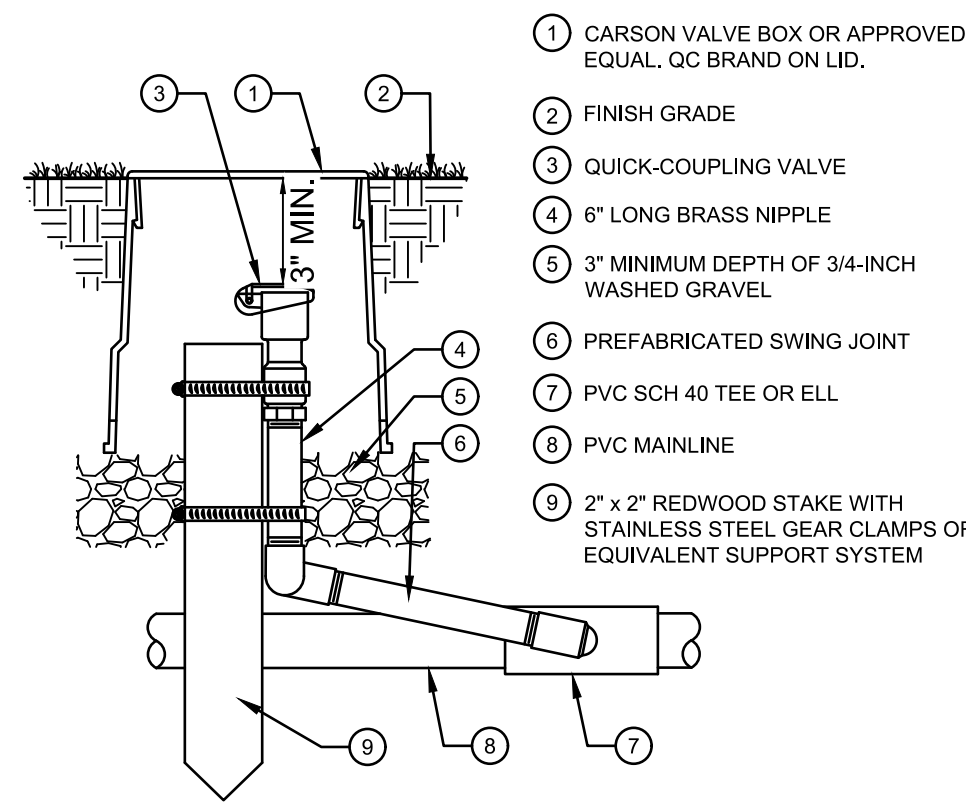
3 MANUAL FLUSH DRAIN VALVE
SCALE: NOT TO SCALE



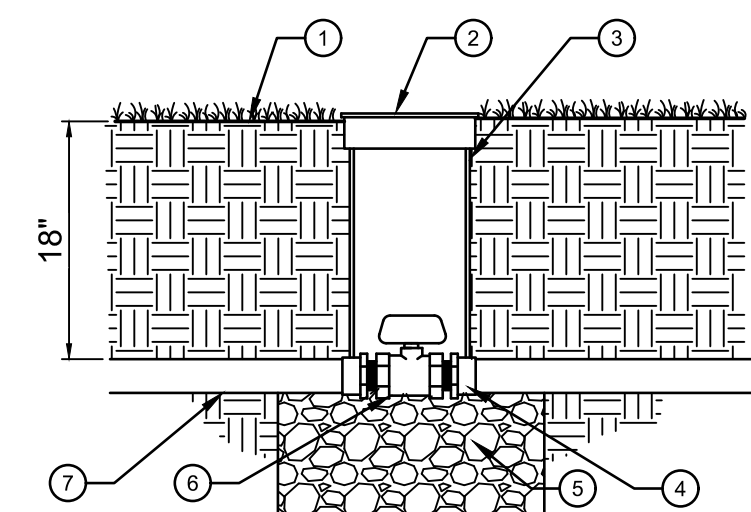
4 DRIP EMITTERS LAYOUT
SCALE: NOT TO SCALE



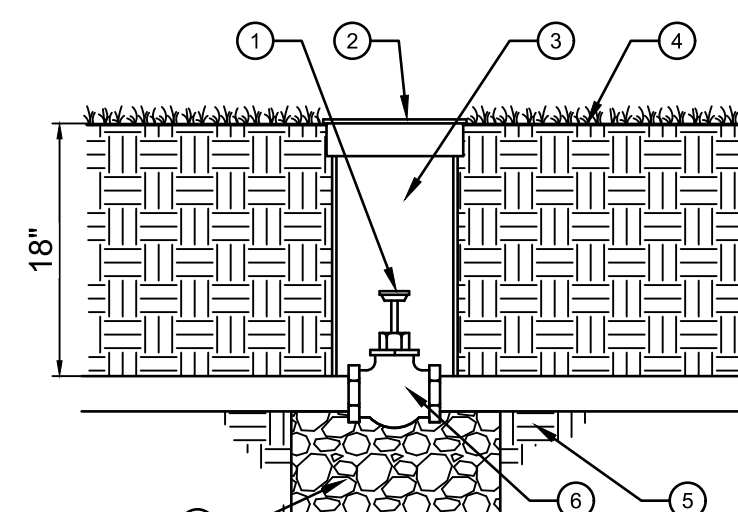
5 REMOTE CONTROL VALVE
SCALE: NOT TO SCALE



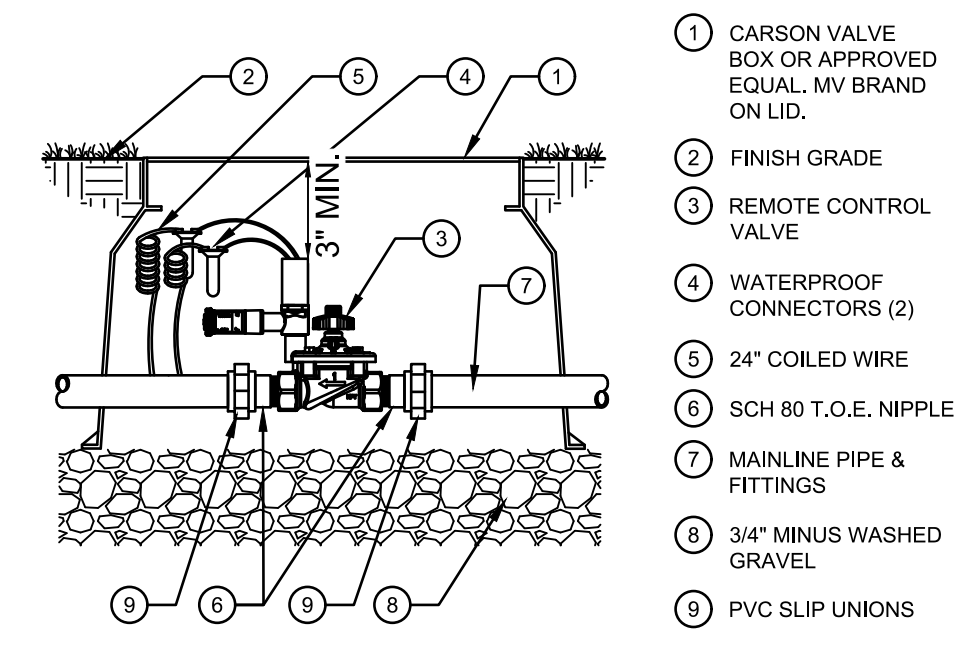
6 QUICK COUPLER
SCALE: NOT TO SCALE



7 BALL VALVE
SCALE: NOT TO SCALE



8 GATE VALVE
SCALE: NOT TO SCALE



9 MASTER VALVE
SCALE: NOT TO SCALE

PLAZA STREET PARTNERS
SITE PLAN DOCUMENTS

PARKER COLORADO

#	Date	Issue / Description	Init.
1	08/23/22	1ST SUBMITTAL	SMB
2	12/14/22	2ND SUBMITTAL	SMB
3	03/08/23	3RD SUBMITTAL	SMB
4			
5			
6			
7			
8			
9			

Project No: PSP000001
Drawn By: TDN
Checked By: TDN
Date: 01/02/2024

IRRIGATION DETAILS

H:\Plaza Street Partners\CD_Park_PSP11_Arty\4-look and Draw\48075A_02\Rev\0504 - Irrigation Plan.dwg - Scott Brown - 2/15/24-18

