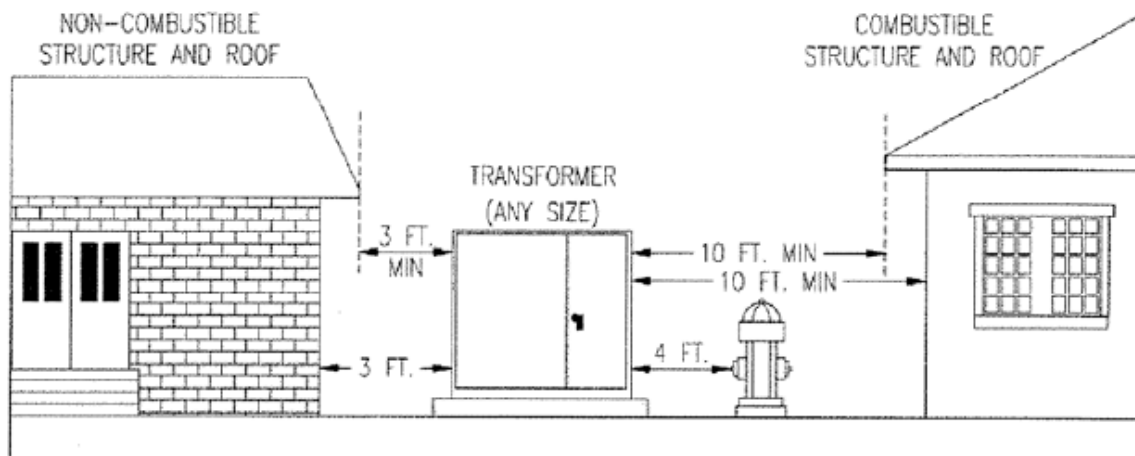
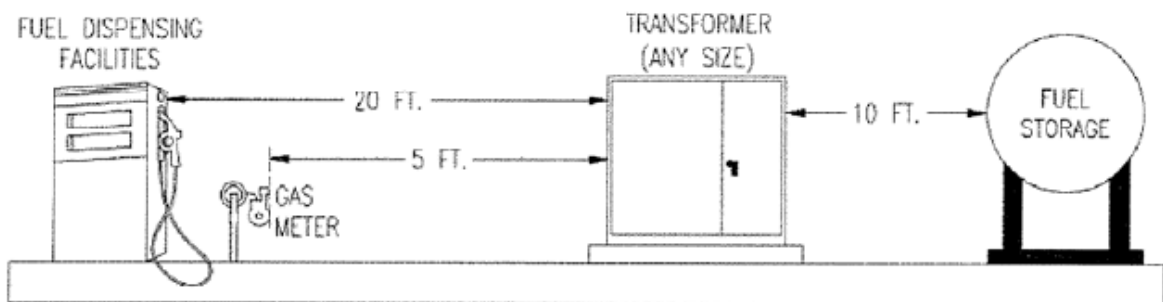
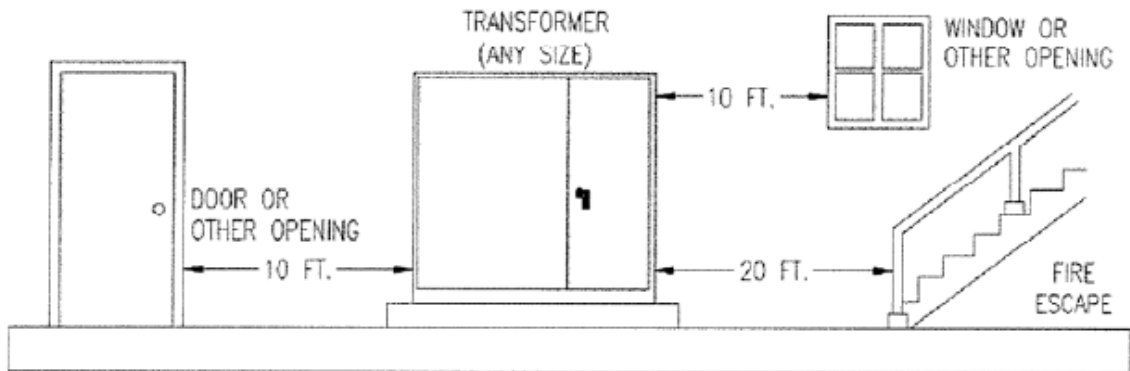


## MINIMUM DISTANCES FOR PAD-MOUNT TRANSFORMERS



### NOTES:

The minimum separation distances shown may not meet insurance property loss prevention requirements. Builder/developer is responsible for confirming these minimum separation distances and informing CORE engineering personnel prior to construction if additional clearances are needed.