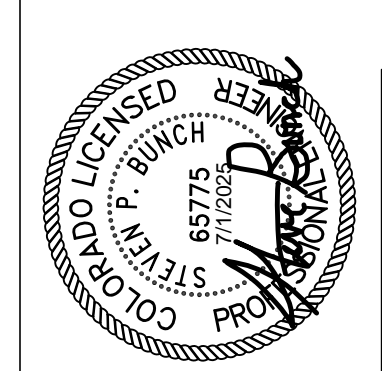
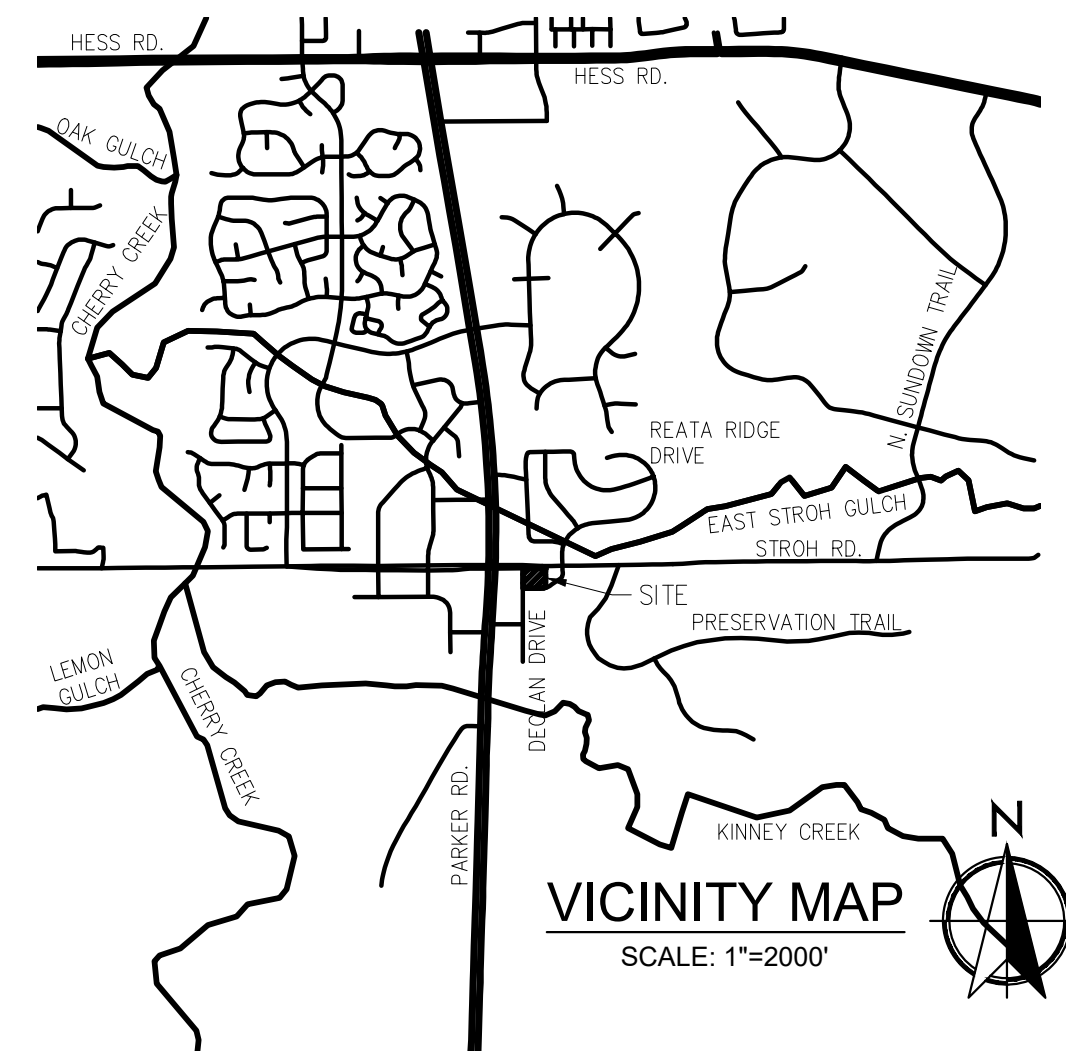
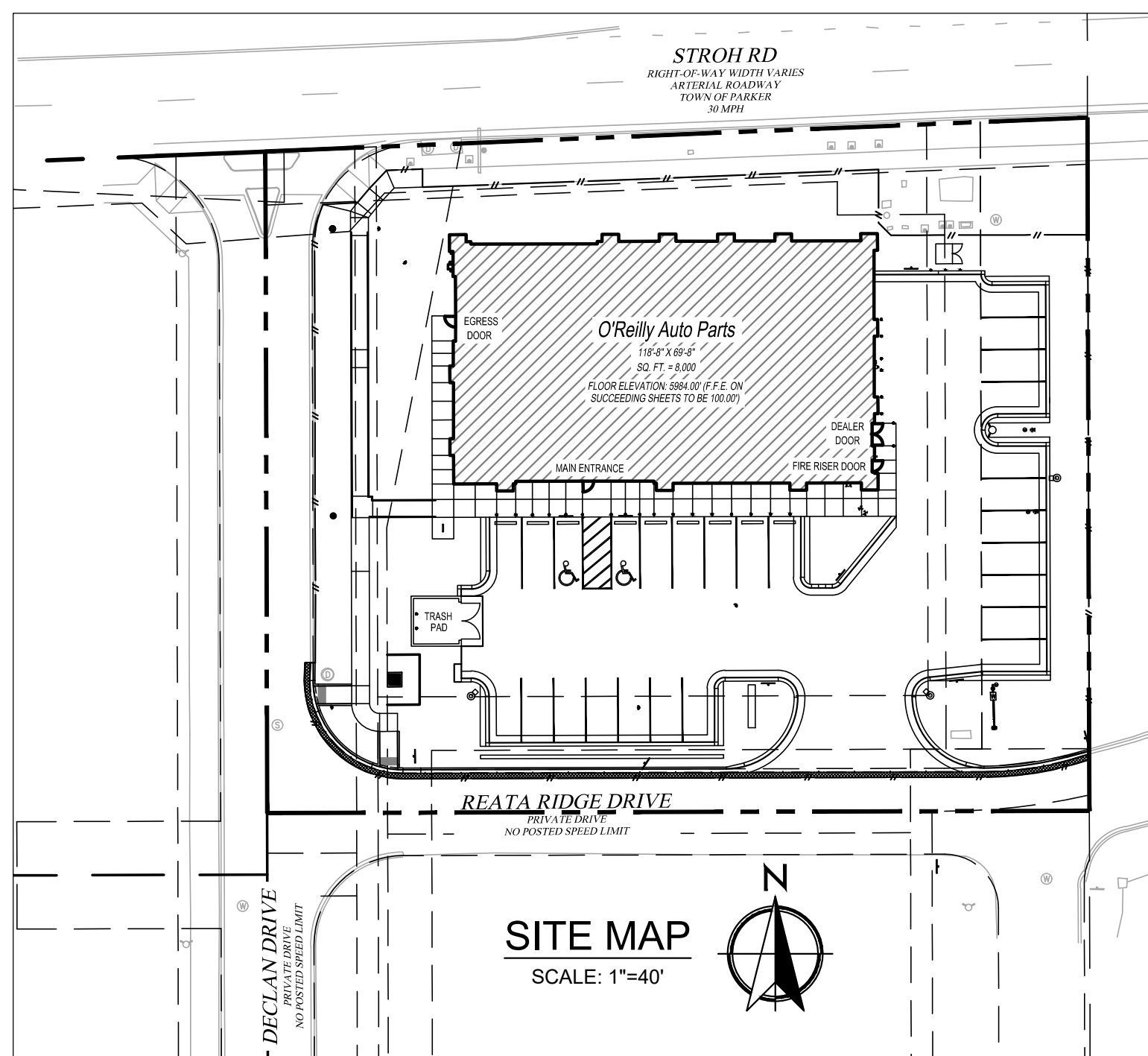


O'Reilly AUTO PARTS

O'REILLY AUTO PARTS PARKER, CO (PK2)

LOT 1 OF PARKER POINTE SUBDIVISION FILING NO 1

LOCATED IN THE NORTHEAST 1/4 SECTION OF SECTION 3, TOWNSHIP 7 SOUTH, RANGE 66 WEST, OF THE 6TH P.M., TOWN OF PARKER, COUNTY OF DOUGLAS, STATE OF COLORADO



PREPARED UNDER THE SUPERVISION OF TAIT & ASSOCIATES, INC.

TAIT & ASSOCIATES
320 North Lincoln Avenue
Loveland, CO 80537
p: 970.613.1447
www.tait.com
ENGINEERING ENVIRONMENTAL BUILDING LAND
717026
Santa Ana Sacramento Denver Dallas
San Luis Obispo Riverside Boise

Steven P. Bunch, PE 65775

TIMOTHY M. GUILLOT
ARCHITECT
1736 East Sunshine, Suite 417
Springfield, Missouri 65804
e-mail: architect@esterlyschneider.com
417.862.0558
417.862.3265
Fax: 417.862.3265

SHEET INDEX

- C4.0 PWSD COVER SHEET
- C4.1 PWSD NOTES
- C4.2 PWSD UTILITY PLAN
- C4.3 PWSD STANDARD DETAILS

ABBREVIATIONS

| | |
|------------|-----|
| CURB STOP | CS |
| GATE VALVE | GV |
| HYDRANT | HYD |
| INVERT | INV |
| MANHOLE | MH |

LEGAL DESCRIPTION

LOT 1, PARKER POINTE SUBDIVISION, FILING NO.1 ACCORDING TO THE PLAT RECORDED JANUARY 7, 2022, AT RECEPTION NO. 2022001733, COUNTY OF DOUGLAS, STATE OF COLORADO, BEING MORE PARTICULARLY DESCRIBED; AS FOLLOWS:

COMMENCING AT THE NORTHEAST CORNER OF SECTION THREE (3), TOWNSHIP SEVEN (7) SOUTH, RANGE SIXTY-SIX (66) WEST OF THE SIXTH PRINCIPAL MERIDIAN AND CONSIDERING THE NORTHERLY LINE OF THE NORTHEAST QUARTER OF SECTION 3 AS AN ASSUMED BEARING OF NORTH 89°33'14" EAST, WITH ALL BEARINGS CONTAINED HEREIN RELATIVE THERETO;

THENCE ALONG THE EASTERLY LINE OF THE NORTHEAST QUARTER OF SAID SECTION 3 SOUTH 00°09'20" EAST 33.18 FEET TO THE NORTHEAST CORNER OF LOT 1 OF PARKER POINTE SUBDIVISION, FILING NO.1, SAID POINT BEING THE POINT OF BEGINNING.

THENCE ALONG THE EASTERLY, SOUTHERLY, WESTERLY, AND NORTHERLY LINES OF SAID LOT 1 THE FOLLOWING FOUR (4) COURSES:

1. SOUTH 00°09'20" EAST 193.73 FEET;
2. SOUTH 89°50'40" WEST 229.86 FEET;
3. NORTH 00°09'20" WEST 184.90 FEET
4. NORTH 87°38'41" EAST 230.03 FEET TO THE POINT OF BEGINNING

CONTAINING 43,516 SQUARE FEET OR 0.999 ACRES MORE OR LESS.

MATERIALS LIST

WATER QUANTITIES:

| | |
|-------|---------------------------------------|
| 12 LF | 3/4" TYPE "K" COPPER WATER LINE |
| 95 LF | 1" TYPE "K" COPPER WATER LINE |
| 63 LF | 6" D.I.P. (MIN. WALL THICKNESS=0.25") |
| 1 | 3/4" IRRIGATION METER |
| 1 | 3/4" CURB STOP |
| 1 | 1" X 3/4" TEE |
| 1 | 1" CURB STOP |
| 1 | 6" GATE VALVE |
| 2 | 1" TAP AND SADDLE |
| 2 | 8"X8" TEE |
| 2 | 45° BEND |
| 4 | THRUST BLOCK |
| 1 | FIRE HYDRANT |

SEWER QUANTITIES:

| | |
|--------|---------------|
| 149 LF | 4" SDR 35 PVC |
| 3 | 4" CLEANOUT |

GENERAL NOTES

A. CONTRACT ADMINISTRATION (LIMITED SERVICE): THE ARCHITECT AND/OR ENGINEER OF RECORD INDICATED HEREIN ARE PROVIDING A LIMITED SERVICE AND NOT PROVIDING CONTRACT ADMINISTRATION SERVICES FOR THIS PROJECT WHICH IS THE RESPONSIBILITY OF OTHERS. THE ARCHITECT AND/OR ENGINEER ARE NOT RESPONSIBLE FOR FIELD ACTIVITIES ON THIS PROJECT WITHOUT DIRECT INSPECTION OF THE WORK IN PROGRESS. IF FIELD CONDITIONS ARE UNCOVERED THAT REQUIRE A CHANGE OR ADDITIONAL INFORMATION, THE ARCHITECT AND/OR ENGINEER DOES NOT DELEGATE AUTHORITY TO ANYONE ELSE FOR DETERMINING THE MEANING OF PLANS OR SPECIFICATIONS AS AUTHENTICATED HEREIN.

B. QUALITY STANDARDS AND BUILDING CODES: CONTRACTORS SHALL BE RESPONSIBLE FOR KNOWING THE QUALITY AND PUBLIC SAFETY REGULATIONS SET FORTH IN THE GOVERNING CODES AND OTHER APPLICABLE REGULATIONS OF LOCAL AND STATE AGENCIES HAVING JURISDICTION WHICH GOVERN EACH CONTRACTOR'S WORK.

C. EXISTING CONDITIONS: FIELD VERIFY EXISTING CONDITIONS BY DETAILED INSPECTION PRIOR TO SUBMITTING BID AND BEGINNING WORK. NOTIFY THE ARCHITECT AND/OR ENGINEER OF RECORD IF EXISTING CONDITIONS DEVIATE SUBSTANTIALLY FROM THOSE INDICATED HEREIN.

QUALITY CONTROL

1. REFER TO PROJECT MANUAL, SECTION 01 45 16 - QUALITY CONTROL PROCEDURES, FOR ADDITIONAL REQUIREMENTS.
2. REFER TO STRUCTURAL DRAWINGS FOR SCHEDULE OF SPECIAL INSPECTIONS, IF INDICATED.
3. WHERE REQUIRED, THE OWNER SHALL PROVIDE THE SERVICES OF AN INDEPENDENT TESTING LABORATORY TO PERFORM TESTING AND SPECIAL INSPECTIONS INDICATED.

OWNER



O'REILLY AUTO ENTERPRISES, LLC
CORPORATE OFFICES
233 SOUTH PATTERSON
SPRINGFIELD, MISSOURI 65802
417-862-2674 PHONE

BIDDING INFORMATION:
REFER TO OWNER'S WEB SITE:
[HTTP://WWW.OREILLYPLANROOM.COM](http://www.oreillyplanroom.com)

NOTE: REFER TO CURRENT PROJECTS LIST, LOCATED AT BOTTOM OF SIGN IN PAGE, FOR INVITED GENERAL CONTRACTORS.

ALL SUB-CONTRACTOR BIDS TO BE SUBMITTED TO INVITED GENERAL CONTRACTORS ONLY.

CONTACT OWNER'S DESIGNATED REPRESENTATIVE FOR ADDITIONAL PROJECT INFORMATION.

ARCHITECT

TIMOTHY M. GUILLOT
ARCHITECT

1736 East Sunshine, Suite 417
Springfield, Missouri 65804
417.862.0558
Fax: 417.862.3265
e-mail: architect@esterlyschneider.com

CIVIL ENGINEER



320 North Lincoln Avenue
Loveland, CO 80537
p: 970.613.1447
www.tait.com
ENGINEERING ENVIRONMENTAL BUILDING LAND
717026
Santa Ana Sacramento Denver Dallas
San Luis Obispo Riverside Boise

BENCHMARK

DOUGLAS COUNTY BENCHMARK 1.060032, EL=5,903.17 FEET (NAVD88) - 3 1/4" INCH ALUMINUM CAP (DOUGLAS COUNTY GIS SECONDARY CONTROL MONUMENT 1.060032) AT THE SOUTHEAST CORNER OF THE PARKING LOT OF STROH RANCH SOCCER FIELDS, ON THE NORTH SIDE OF STROH RD, EAST OF THE INTERSECTION OF STORH ROAD AND N. MOTSENBOCKER ROAD, CITY OF PARKER, COLORADO.

BASIS OF BEARING

BEARINGS SHOWN HEREON ARE BASED ON THE NORTHERLY LINE OF THE NORTHEAST QUARTER OF SECTION 3, TOWNSHIP 7 SOUTH, RANGE 66 WEST OF THE 6TH P.M., MONUMENTED AS SHOWN ON THIS SURVEY PLAT AS BEARING NORTH 89°33'14" EAST, WITH ALL BEARINGS CONTAINED HEREIN RELATIVE THERETO.

UNAUTHORIZED CHANGES & USES

THE ENGINEER PREPARING THESE PLANS WILL NOT BE RESPONSIBLE FOR, OR LIABLE FOR, UNAUTHORIZED CHANGES TO OR USES OF THESE PLANS. ALL CHANGES OF THESE PLANS MUST BE IN WRITING AND MUST BE APPROVED BY THE PREPARER OF THESE PLANS PRIOR TO CONSTRUCTION. CONSTRUCTION CONTRACTOR AGREES THAT IN ACCORDANCE WITH GENERALLY ACCEPTED CONSTRUCTION PRACTICES, CONSTRUCTION CONTRACTOR WILL BE REQUIRED TO ASSUME SOLE AND COMPLETE RESPONSIBILITY FOR JOB SITE CONDITIONS DURING THE COURSE OF CONSTRUCTION OF THE PROJECT, INCLUDING SAFETY OF ALL PERSONS AND PROPERTY, THAT THIS REQUIREMENT SHALL BE MADE TO APPLY CONTINUOUSLY AND NOT BE LIMITED TO NORMAL WORKING HOURS, AND CONSTRUCTION CONTRACTOR FURTHER AGREES TO DEFEND, INDEMNIFY AND HOLD DESIGN PROFESSIONAL HARMLESS FROM ANY AND ALL LIABILITY, REAL OR ALLEGED, IN CONNECTION WITH THE PERFORMANCE OF WORK ON THIS PROJECT, EXCEPTING LIABILITY ARISING FROM THE SOLE NEGLIGENCE OF DESIGN PROFESSIONAL.

NOTE TO CONTRACTOR

THE EXISTENCE AND LOCATION OF ANY UNDERGROUND UTILITIES, PIPES, AND/OR STRUCTURES SHOWN ON THESE PLANS WERE OBTAINED BY A SEARCH OF AVAILABLE RECORDS. THERE MAY BE EXISTING UTILITIES NOT SHOWN ON THESE PLANS. THE CONTRACTOR SHALL ASCERTAIN THE TRUE VERTICAL AND HORIZONTAL LOCATION OF THOSE UNDERGROUND UTILITIES TO BE USED PRIOR TO CONSTRUCTION AND SHALL BE RESPONSIBLE FOR ANY DAMAGE TO ANY PUBLIC OR PRIVATE UTILITIES, SHOWN OR NOT SHOWN HEREON.

ALL FIRE HYDRANTS SHALL BE INSTALLED ACCORDING TO WATER UTILITY STANDARDS. THE NUMBER AND LOCATIONS OF THE FIRE HYDRANTS AS SHOWN ON THE OVERALL UTILITY PLAN ARE CORRECT AS SPECIFIED BY THE TOWN OF PARKER, COMMUNITY DEVELOPMENT DEPARTMENT.

FIRE CODE OFFICIAL OR DESIGNATED REPRESENTATIVE _____ DATE _____

(NOTE - UNDERGROUND FIRE LINE (UFL) SUBMITTAL DOCUMENTS MUST MEET THE REQUIREMENTS OF NFPA 24 WHEN SUBMITTING FOR REVIEW)

THE DISTRICT INSPECTOR MUST BE NOTIFIED AT LEAST 48 HOURS PRIOR TO START OF CONSTRUCTION. CALL PARKER WATER AND SANITATION DISTRICT AT 303-841-4627. THE DISTRICT WILL PROVIDE PERIODIC INSPECTIONS OF THE WORK. 24 HOUR NOTICE TO THE INSPECTOR IS REQUIRED FOR SCHEDULING INSPECTIONS. ANY WORK ACCOMPLISHED WITHOUT THE APPROVAL OF THE INSPECTOR WILL BE SUBJECT TO REJECTION.

REVIEWED FOR CONFORMANCE TO PARKER WATER AND SANITATION DISTRICT STANDARDS.

BY: _____
(DISTRICT REPRESENTATIVE)

DATE: _____

APPROVED FOR CONSTRUCTION: PARKER WATER AND SANITATION DISTRICT

BY: _____
(DISTRICT ENGINEER)

DATE: _____

CAUTION:
INFORMATION ON THIS DRAWING CONCERNING TYPE AND LOCATION OF UNDERGROUND AND OTHER UTILITIES IS NOT GUARANTEED TO BE ACCURATE OR ALL INCLUSIVE. THE CONTRACTOR IS RESPONSIBLE FOR MAKING HIS OWN DETERMINATION AS TO THE TYPE AND LOCATION OF UNDERGROUND AND OTHER UTILITIES AS MAY BE NECESSARY TO AVOID DAMAGE THERETO.



Know what's below
Call before you dig.

PROJECT: LOT 1 PARKER POINTE SUBDIVISION FILING 1

NEW O'REILLY AUTO PARTS STORE
STROH RD
PARKER, CO #2

PWSD COVER SHEET



CORPORATE OFFICES
233 SOUTH PATTERSON
SPRINGFIELD, MISSOURI 65802
(417) 862-2674 TELEPHONE

COMM # 4884
DATE: 02/14/2025
REVISION
DATE: 05/02/2025
07/01/2025

C4.0

PWSD GENERAL NOTES

- ALL MATERIALS AND WORKMANSHIP SHALL BE IN CONFORMANCE WITH THE PWSD ENGINEERING STANDARDS AND SPECIFICATIONS, LATEST VERSION.
- THE CONTRACTOR SHALL CONTACT ALL APPROPRIATE UTILITY COMPANIES AND THE TOWN OF PARKER, DOUGLAS COUNTY AND OTHER NEIGHBORING CITIES AND TOWNS PRIOR TO THE BEGINNING OF ANY CONSTRUCTION. CONTRACTOR SHALL BE RESPONSIBLE FOR LOCATING ANY EXISTING UTILITY (INCLUDING DEPTHS) WHICH MAY CONFLICT WITH THE PROPOSED CONSTRUCTION. ALL EXISTING UTILITIES SHALL BE PROTECTED FROM DAMAGE BY THE CONTRACTOR. DAMAGED UTILITIES SHALL BE REPAIRED BY THE CONTRACTOR AT HIS OWN EXPENSE.
- ALL ITEMS SHOWN ON THE PLANS AS EXISTING ARE SHOWN IN APPROXIMATE LOCATIONS ONLY. THE ACTUAL LOCATIONS MAY VARY FROM THE PLANS, ESPECIALLY IN THE CASE OF UNDERGROUND UTILITIES. WHENEVER THE CONTRACTOR DISCOVERS A DISCREPANCY IN LOCATIONS CONTACT THE PWSD IMMEDIATELY.
- PWSD ENGINEER AND OTHER APPROVING AGENCIES ARE TO BE NOTIFIED 48 HOURS PRIOR TO CONSTRUCTION.
- THE CONTRACTOR SHALL OBTAIN, AT HIS EXPENSE, ALL PERMITS NECESSARY TO PERFORM THE PROPOSED WORK.
- ALL CONCRETE SHALL BE A MINIMUM OF CLASS A, 6 SACK, TYPE II, 3000-POUND COMPRESSION STRENGTH.
- THE DESIGN ENGINEER SHALL SUBMIT ONE (1) SET OF "AS-BUILT" DRAWINGS AND ELECTRONIC FILES TO THE DISTRICT ENGINEER FOR APPROVAL BY DISTRICT. AFTER APPROVAL HAS BEEN GRANTED BY THE DISTRICT ENGINEER, FULL SIZE PRINTS SHALL BE TRANSMITTED TO THE PWSD OFFICE.
- NO WORK SHALL BE BACKFILLED UNTIL THE CONSTRUCTION HAS BEEN INSPECTED AND APPROVED FOR BACKFILLING BY THE DISTRICT ENGINEER OR REPRESENTATIVE OF THE DISTRICT ENGINEER. ALL BACKFILL MATERIAL SHALL BE COMPACTED TO 95% STANDARD PROCTOR DENSITY. COMPACTION TESTS MUST BE SUBMITTED TO DISTRICT ENGINEER PRIOR TO PROBATIONARY ACCEPTANCE.
- TRENCHES SHALL BE EXCAVATED AND THE PIPE EXPOSED FOR THE INSPECTION AT ANY LOCATION ON THE PROJECT IF SO ORDERED BY THE INSPECTOR.
- THE CONTRACTOR WILL BE HELD RESPONSIBLE FOR THE PROPER FUNCTIONING OF LINES (WATER AND SEWER) FOR UP TO TWO (2) YEARS FROM THE DATE OF PROBATIONARY ACCEPTANCE OF THE LINES BY THE DISTRICT. ANY MALFUNCTION DURING THIS PERIOD OF GUARANTEE SHALL BE REMEDIED BY THE CONTRACTOR TO THE SATISFACTION OF THE DISTRICT ENGINEER AT NO EXPENSE TO THE DISTRICT.
- SURFACE GRADES ARE TO BE WITHIN PLUS OR MINUS ONE FOOT OF FINISHED GRADE AND VERIFICATION OF COMPACTION RESULTS OBTAINED PRIOR TO THE INSTALLATION OF WATER AND SEWER LINES. RESULTS MUST BE SUBMITTED TO THE DISTRICT ENGINEER.
- ALL SERVICES WILL BE PERMANENTLY MARKED ON CURB FACE AS FOLLOWS: "X" FOR SANITARY SERVICE SEWERS "V" FOR WATER SERVICES
- NO TREES ALLOWED IN EASEMENTS OR WITHIN 8' OF WATER OR SANITARY SEWER MAINS IN RIGHT OF WAY.
- THE CONTRACTOR SHALL HAVE IN HIS POSSESSION AT ALL TIMES ONE (1) SIGNED COPY OF THE PLANS WHICH HAVE BEEN APPROVED BY THE PWSD AND THE DISTRICT ENGINEER AND ONE (1) COPY OF THE LATEST PWSD SPECIFICATION MANUAL.

CAUTION:
INFORMATION ON THIS DRAWING CONCERNING TYPE AND LOCATION OF UNDERGROUND AND OTHER UTILITIES IS NOT GUARANTEED TO BE ACCURATE OR ALL INCLUSIVE. THE CONTRACTOR IS RESPONSIBLE FOR MAKING HIS OWN DETERMINATION AS TO THE TYPE AND LOCATION OF UNDERGROUND AND OTHER UTILITIES AS MAY BE NECESSARY TO AVOID DAMAGE THERETO.



**Know what's below
Call before you dig.**

PWSD WATER SYSTEM NOTES

- ALL MATERIALS AND WORKMANSHIP SHALL BE IN CONFORMANCE WITH THE PWSD ENGINEERING STANDARDS AND SPECIFICATIONS, LATEST REVISION.
- ALL WATER MAINS SHALL BE PER PWSD MATERIALS SPECIFICATIONS. ALL MATERIALS IN CONTACT WITH POTABLE WATER SHALL BE SUITABLE FOR CHLORINATED AND CHLORAMINATED WATER.
- ALL BENDS, PLUGS, REDUCERS, AND FIRE HYDRANTS TO BE RODDED OR MEGA-LUGGED. ALL FITTINGS SHALL BE WRAPPED PER PWSD MATERIALS SPECIFICATIONS.
- THERE SHALL BE A MINIMUM COVER OF 4.5 FEET OVER ALL WATER MAINS.
- FIRE HYDRANTS SHALL CONFORM TO AWWA C-502 "DRY BARREL FIRE HYDRANTS" PIPE HYDRANT ASSEMBLIES PER PWSD SPECIFICATIONS.
- ALL BENDS, TEES, FIRE HYDRANTS, BLOW-OFFS, AND PLUGS AT DEAD-END MAINS SHALL BE PROTECTED FROM THRUST WITH CONCRETE THRUST BLOCKS.
- PRECAUTIONS SHALL BE TAKEN TO PROTECT THE INTERIOR OF PIPES, FITTINGS, AND VALVES AGAINST CONTAMINATION. ALL OPENINGS IN THE PIPELINE SHALL BE CLOSED WITH WATERTIGHT PLUGS WHEN PIPE LAYING IS STOPPED AT THE CLOSE OF THE DAY'S WORK OR FOR OTHER REASONS, SUCH AS REST BREAKS OR MEAL PERIODS.
- VALVES IN STREETS ARE TO BE LOCATED AT PROPERTY LINE EXTENSIONS EXCEPT FOR TAPPING TEES; WHERE AN ADDITIONAL VALVE SHALL BE PLACED ON THE TAPPING TEE. OTHER LOCATIONS SHOWN ON THE PLANS.
- WHEN NECESSARY TO LOWER OR RAISE WATER LINES AT STORM DRAINS AND OTHER UTILITY CROSSING, A MINIMUM CLEARANCE OF 1.5 FEET SHALL BE MAINTAINED BETWEEN OUTSIDE OF PIPES.
- THE CONTRACTOR SHALL NOTIFY THE PWSD AT LEAST 48 HOURS PRIOR TO ANY CONSTRUCTION. IF WORK IS SUSPENDED FOR ANY PERIOD OF TIME AFTER INITIAL START-UP, THE CONTRACTOR MUST NOTIFY THE DISTRICT ENGINEER 48 HOURS PRIOR TO RE-START.
- PIPE BEDDING SHALL BE A CLEAN, WELL-GRADED SAND OR SQUEEGEE SAND IN ACCORDANCE WITH PWSD STANDARDS AND SPECIFICATIONS, LATEST REVISION.
- THE CONTRACTOR SHALL NOTIFY THE PUBLIC UTILITY COMPANIES AND DETERMINE THE LOCATION OF ALL EXISTING UNDERGROUND UTILITIES PRIOR TO PROCEEDING WITH THE EXCAVATION. ALL WORK PERFORMED IN THE AREA OF THE PUBLIC UTILITIES SHALL BE PERFORMED ACCORDING TO THE REQUIREMENTS OF THESE AGENCIES.
- COMPACTION OF ALL TRENCHES MUST BE ATTAINED IN ACCORDANCE WITH THE SOILS REPORTS AND COMPACTION TEST RESULTS SUBMITTED TO THE DISTRICT ENGINEER PRIOR TO PROBATIONARY ACCEPTANCE.
- AT LEAST FIVE (5) DAYS PRIOR TO THE START OF CONSTRUCTION, A PRE-CONSTRUCTION MEETING WILL BE HELD AT THE OFFICE OF THE DISTRICT ENGINEER AND ATTENDED BY THE CONTRACTOR, DESIGN ENGINEER, AND REPRESENTATIVE OF OTHER APPROVING AGENCIES.
- CHLORINATION AND FLUSHING: ALL WATER MAINS SHALL BE INSTALLED AND CHLORINATED PER PWSD SPECIFICATIONS. CHLORINATION OF FINISHED PIPELINE COMPLETED BEFORE HYDROSTATIC TESTING.
- HYDROSTATIC TESTING: ALL WATER MAINS SHALL BE TESTED PER THE REQUIREMENTS OF THE PWSD SPECIFICATIONS UP TO MINIMUM OF 150 PSI IN THE PRESENCE OF A PWSD INSPECTOR/ENGINEER.

BENCHMARK

DOUGLAS COUNTY BENCHMARK 1.060032, EL=5,903.17 FEET (NAVD88) - 3 1/4" INCH ALUMINUM CAP (DOUGLAS COUNTY GIS SECONDARY CONTROL MONUMENT 1.060032) AT THE SOUTHEAST CORNER OF THE PARKING LOT OF STROH RANCH SOCCER FIELDS, ON THE NORTH SIDE OF STROH RD, EAST OF THE INTERSECTION OF STORH ROAD AND N. MOTSENBOCKER ROAD, CITY OF PARKER, COLORADO.

UNAUTHORIZED CHANGES & USES

THE ENGINEER PREPARING THESE PLANS WILL NOT BE RESPONSIBLE FOR, OR LIABLE FOR, UNAUTHORIZED CHANGES TO OR USES OF THESE PLANS. ALL CHANGES OF THESE PLANS MUST BE IN WRITING AND MUST BE APPROVED BY THE PREPARER OF THESE PLANS PRIOR TO CONSTRUCTION. CONSTRUCTION CONTRACTOR AGREES THAT IN ACCORDANCE WITH GENERALLY ACCEPTED CONSTRUCTION PRACTICES, CONSTRUCTION CONTRACTOR WILL BE REQUIRED TO ASSUME SOLE AND COMPLETE RESPONSIBILITY FOR JOB SITE CONDITIONS DURING THE COURSE OF CONSTRUCTION OF THE PROJECT, INCLUDING SAFETY OF ALL PERSONS AND PROPERTY, THAT THIS REQUIREMENT SHALL BE MADE TO APPLY CONTINUOUSLY AND NOT BE LIMITED TO NORMAL WORKING HOURS, AND CONSTRUCTION CONTRACTOR FURTHER AGREES TO DEFEND, INDEMNIFY AND HOLD DESIGN PROFESSIONAL HARMLESS FROM ANY AND ALL LIABILITY, REAL OR ALLEGED, IN CONNECTION WITH THE PERFORMANCE OF WORK ON THIS PROJECT, EXCEPTING LIABILITY ARISING FROM THE SOLE NEGLIGENCE OF DESIGN PROFESSIONAL.

BASIS OF BEARING

BEARINGS SHOWN HEREON ARE BASED ON THE NORTHERLY LINE OF THE NORTHEAST QUARTER OF SECTION 3, TOWNSHIP 7 SOUTH, RANGE 66 WEST OF THE 6TH P.M., MONUMENTED AS SHOWN ON THIS SURVEY PLAT AS BEARING NORTH 89°33'14" EAST, WITH ALL BEARINGS CONTAINED HEREIN RELATIVE THERETO.

PWSD SEWER SYSTEM NOTES

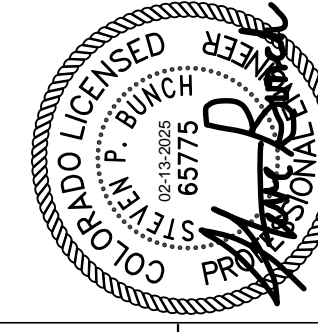
- ALL MATERIALS AND WORKMANSHIP SHALL BE IN CONFORMANCE WITH THE PWSD ENGINEERING STANDARDS AND SPECIFICATIONS, LATEST VERSION.
- ALL SEWER MAINS SHALL BE PVC, ASTM D-3034, SDR 35 OR APPROVED EQUAL. ALL SEWER MAIN SIZE IS 8" IN DIAMETER UNLESS OTHERWISE NOTED.
- SEWER LINES SHALL BE INSTALLED 5.0 FEET SOUTH OR WEST OF STREET CENTERLINE, UNLESS OTHERWISE SHOWN ON PLANS. SEWER LINES SHALL BE 10.00 FEET FROM WATER LINES EXCEPT WHEN CROSSING EACH OTHER. SEWER LINES WHICH CROSS LESS THAN 1.50 FEET VERTICALLY FROM THE WATER MAIN SHALL BE ENCASED IN CONCRETE AS PER PWSD SPECIFICATIONS. USE RUBBER GASKETS FOR PVC ENCASEMENT.
- SEWER RIM ELEVATIONS SHOWN ARE APPROPRIATE ONLY AND ARE NOT TO BE TAKEN AS FINAL ELEVATIONS. RING AND COVER SHALL BE SET IN CENTERED CONCRETE RINGS WITH RAM-NECK FOR ADJUSTMENT TO MATCH FINAL PAVEMENT ELEVATIONS.
- THE CONTRACTOR AND SURVEY CREW SHALL VERIFY ELEVATIONS OF EXISTING SEWER LINES AND MANHOLES TO BE TIED TO PRIOR TO CONSTRUCTION OR STAKING OF SANITARY SEWER.
- NO UNDERDRAIN SYSTEM WILL BE ALLOWED TO BE PLACED IN MAINLINE OR SEWER SERVICE TRENCHES.
- SEWER SERVICE TEES FOR EACH UNIT SHALL BE STAKED BY A SURVEY CREW AND FURNISHED AND INSTALLED BY THE CONTRACTOR. THE CONTRACTOR SHALL FURNISH TO THE ENGINEER "AS CONSTRUCTED" LOCATION OF TEES. SEWER WYES SHALL BE USED RATHER THAN TEES.
- ALL MANHOLES SHALL BE 48-INCHES IN DIAMETER WITH 24-INCH RING AND COVER, ECCENTRIC CONE UNLESS OTHERWISE SPECIFIED. ALL MANHOLES SHALL HAVE SHAPED INVERTS.
- PIPE BEDDING SHALL BE CLASS "B" AND SHALL CONFORM TO ASTM C-33 OR D-448 GRADATION NO. 6 OR NO. 67.
- AT LEAST FIVE (5) DAYS PRIOR TO THE START OF CONSTRUCTION, A PRE-CONSTRUCTION MEETING WILL BE HELD AT THE OFFICE OF THE DISTRICT ENGINEER AND ATTENDED BY THE CONTRACTOR AND REPRESENTATIVES OF THE OTHER APPROVING AGENCIES. IT WILL BE THE RESPONSIBILITY OF THE CONTRACTOR TO CONTACT THE DISTRICT ENGINEER TO SCHEDULE THIS MEETING.
- THE CONTRACTOR SHALL HAVE IN HIS POSSESSION AT ALL TIMES ONE (1) SIGNED COPY OF THE PLANS WHICH HAVE BEEN APPROVED BY THE PWSD AND THE DISTRICT ENGINEER AND ONE (1) COPY OF THE LATEST PWSD SPECIFICATION MANUAL.
- ALL SEWER LINES SHALL BE TESTED IN ACCORDANCE WITH THE PWSD STANDARDS AND SPECIFICATIONS PRIOR TO ACCEPTANCE OR ANY CONNECTION TO AN EXISTING SEWER LINE.
- PRIOR TO STARTING WORK WHERE SEWER MAIN IS TO BE CONNECTED TO EXISTING PWSD SEWER SYSTEMS, THE NEAREST MANHOLE TO THE POINT OF TIE-IN SHALL BE PLUGGED WITH A PLUMBER'S PLUG ON THE INLET SIDE BY THE CONTRACTOR. THIS PLUG SHALL REMAIN IN PLACE UNTIL FINAL PROBATIONARY ACCEPTANCE BY PWSD. THE CONTRACTOR SHALL BE RESPONSIBLE FOR PUMPING AND CLEANING THESE MANHOLES AND REMOVING THE PLUG WHEN INSTRUCTED BY THE DISTRICT.
- PRIOR TO PROBATIONARY ACCEPTANCE WALK-THROUGH, THE CONTRACTOR SHALL JET CLEAN THE ENTIRE SANITARY SEWER SYSTEM AND PUMP OUT AT THE PLUGGED MANHOLE.

PREPARED UNDER THE SUPERVISION OF TAIT & ASSOCIATES, INC.

TAIT
& ASSOCIATES
Since 1964

320 North Lincoln Avenue
Loveland, CO 80537
P: 970.613.1447
www.tait.com

ENGINEERING ENVIRONMENTAL BUILDING LAND
Santa Ana Sacramento Denver
San Luis Obispo Riverside Boise



Steven P. Burch, PE 65775

LOT 1 PARKER POINTE SUBDIVISION FILING 1

PROJECT:

**NEW O'REILLY AUTO PARTS STORE
STROH RD
PARKER, CO #2**

PWSD NOTES

O'Reilly AUTO PARTS

CORPORATE OFFICES
233 SOUTH PATTERSON
SPRINGFIELD, MISSOURI 65802
(417) 862-2674 TELEPHONE

COMM # 4884

DATE: 02/14/2025

REVISION

DATE:

TIMOTHY M. GUILLOT

ARCHITECT

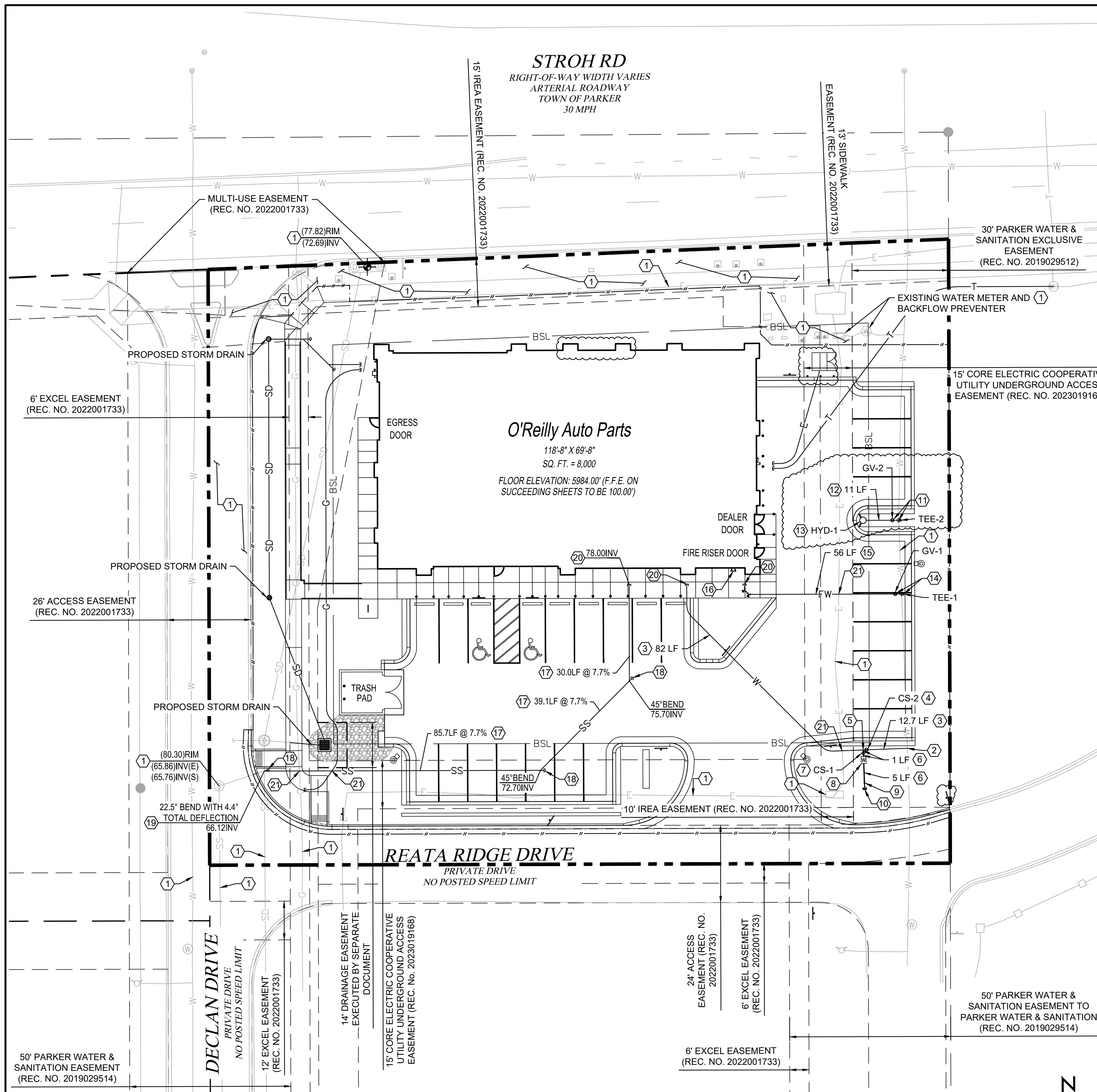
1736 East Sunshine, Suite 417
Springfield, Missouri 65804

417.862.6558

Fax: 417.862.3265

e-mail: architect@estertyschneider.com

DRAWN: JE
DATE: 02/06/2025
DESIGNED: JE
DATE: 02/06/2025
CHECKED: SB
DATE: 02/11/2025



- ### KEY NOTES
- PROTECT EXISTING IMPROVEMENTS IN PLACE.
 - 1" WATER SERVICE TAP ON EXISTING 8" PVC WATER MAIN PER PARKER WATER AND SANITATION DISTRICT DETAIL W5.10 ON SHEET C4.3.
 - INSTALL 1" TYPE K COPPER WATER SERVICE LINE PER PARKER WATER AND SANITATION DISTRICT DETAIL W1.2 ON SHEET C4.3.
 - INSTALL WATER SERVICE CURB STOP PER PARKER WATER AND SANITATION DISTRICT DETAIL W5.10 ON SHEET C4.3.
 - INSTALL 1" x 3/4" IRRIGATION SERVICE TEE ON PROPOSED 1" DOMESTIC WATER SERVICE LINE.
 - INSTALL 3/4" TYPE K COPPER IRRIGATION SERVICE LINE.
 - INSTALL IRRIGATION SERVICE CURB STOP PER PARKER WATER AND SANITATION DISTRICT DETAIL W5.10 ON SHEET C4.3.
 - INSTALL 3/4" IRRIGATION SERVICE METER PER PARKER WATER AND SANITATION DISTRICT DETAIL W5.10 ON SHEET C4.3.
 - INSTALL 3/4" IRRIGATION REDUCED PRESSURE BACKFLOW PER PARKER WATER AND SANITATION DISTRICT DETAIL W6.1 ON SHEET C4.3.
 - 3/4" IRRIGATION SERVICE LINE STUB. REFER TO IRRIGATION PLANS FOR CONTINUATION.
 - 6" FIRE HYDRANT SERVICE TAP WITH GATE VALVE PER PARKER WATER AND SANITATION DISTRICT DETAIL W2.5 ON SHEET C4.3.
 - INSTALL 6" DIP FIRE HYDRANT SERVICE LINE.
 - INSTALL FIRE HYDRANT ASSEMBLY PER PARKER WATER AND SANITATION DISTRICT DETAIL W2.5 ON SHEET C4.3.
 - 6" BUILDING FIRE SERVICE TAP WITH GATE VALVE PER PARKER WATER AND SANITATION DISTRICT DETAIL W5.18 ON SHEET C4.3.
 - INSTALL 6" DIP BUILDING FIRE SERVICE LINE.
 - BUILDING FIRE DEPARTMENT CONNECTION. REFER TO MEP PLANS FOR MORE DETAIL.
 - INSTALL 4" SDR35 PVC (OR APPROVED EQUAL) SANITARY SERVICE LINE PER PARKER WATER AND SANITATION DISTRICT DETAIL S1.2 ON SHEET C4.3.
 - INSTALL 4" SANITARY SERVICE CLEANOUT PER PARKER WATER AND SANITATION DISTRICT DETAIL S4.12 ON SHEET C4.3.
 - 4" SANITARY SEWER CONNECTION TO EXISTING 6" SANITARY SEWER STUB WITH 4" TO 6" PVC REDUCER. CONTRACTOR TO VERIFY ELEVATIONS AND NOTIFY THE ENGINEER OF CONFLICTS.
 - UTILITY CONNECTION AT BUILDING. REFER TO MEP PLANS FOR CONTINUATION.
 - UTILITY CROSSING. CONTRACTOR TO VERIFY ELEVATIONS AND NOTIFY ENGINEER OF CONFLICT.

- ### GENERAL NOTES
- CONTRACTOR SHALL COORDINATE WITH ALL UTILITY COMPANIES USING UTILITY CONTACT INFORMATION GIVEN. COORDINATE FOR ALL UTILITY WORK SHOWN. GIVE UTILITY COMPANIES NOTICE OF CONSTRUCTION START DATE AND ESTIMATED COMPLETION DATE.
 - PRIOR TO INSTALLATION, GENERAL CONTRACTOR TO CONFIRM THAT LIGHT POLES, LANDSCAPING AND UTILITIES DO NOT CONFLICT WITH SIGN LOCATION SHOWN. IF ANY POTENTIAL CONFLICT IS DISCOVERED, GENERAL CONTRACTOR TO CONTACT THE O'REILLY PROJECT ADMINISTRATOR BEFORE.

EXISTING UTILITY NOTES

CONTRACTOR TO CONFIRM MINIMUM BURY DEPTH IS MAINTAINED OVER EXISTING UTILITIES.

EXISTING CONDITIONS NOTE

- THE CONTRACTOR IS OBLIGATED TO INSPECT FOR EXISTING CONDITIONS/INSTALLATIONS AND AVAILABLE INFORMATION PRIOR TO SUBMITTING A BID, REFER TO SPECIFICATIONS ALSO.
- EXISTING INSTALLATIONS (SUCH AS WATER MAINS/LINES, GAS MAINS/LINES, SEWER MAINS/LINES, TELEPHONE LINES, POWER LINES, AND UTILITY STRUCTURES IN THE VICINITY OF THE WORK TO BE DONE) ARE INDICATED ON THE DRAWINGS ONLY TO THE EXTENT THAT SUCH INFORMATION HAS BEEN MADE AVAILABLE TO OR DISCOVERED BY THE ENGINEER IN PREPARING THE DRAWINGS. THERE IS NO GUARANTEE AS TO THE ACCURACY OR COMPLETENESS OF SUCH INFORMATION, AND ALL RESPONSIBILITY FOR THE ACCURACY AND COMPLETENESS THEREOF IS EXPRESSLY DISCLAIMED.
- THE CONTRACTOR SHALL BE SOLELY RESPONSIBLE FOR LOCATING ALL EXISTING INSTALLATIONS.
- ANY DELAY, ADDITIONAL WORK, FEES OR EXTRA COST TO THE CONTRACTOR CAUSED BY RESULTING FROM DAMAGE TO OR MODIFICATIONS OF EXISTING INSTALLATIONS BY THE CONTRACTOR OR AFFECTED UTILITY COMPANY SHALL NOT CONSTITUTE A CLAIM FOR EXTRA WORK, ADDITIONAL PAYMENT OR DAMAGES.
- THE CONTRACTOR SHALL FIELD VERIFY ALL EXISTING CONSTRUCTION PRIOR TO SUBMITTING HIS BID. NO EXTRAS WILL BE PAID DUE TO UNANTICIPATED EXISTING CONDITIONS / INSTALLATIONS.

LEGEND

| | | | |
|-----|-----------------------------|-----|---------------------------|
| --- | RIGHT-OF-WAY | ○ | PROPOSED FIRE HYDRANT |
| --- | O'REILLY PROPERTY LINE | ● | PROPOSED GATE VALVE |
| --- | ADJACENT PROPERTY LINE | * | PROPOSED THRUST BLOCK |
| --- | EXISTING EASEMENT | ○ | PROPOSED CLEANOUT |
| --- | PROPOSED EASEMENT | ⊙ | PROPOSED LIGHT POLE |
| --- | BSL - BUILDING SETBACK LINE | ▨ | PROPOSED RIPRAP |
| --- | ROAD CENTERLINE | --- | PROPOSED SAWCUT |
| --- | LIMIT OF DISTURBANCE | W | PROPOSED WATER LINE |
| --- | PROPOSED SAWCUT | SD | PROPOSED STORM DRAIN LINE |
| --- | PROPOSED WATER LINE | SS | PROPOSED SEWER LINE |
| --- | PROPOSED STORM DRAIN LINE | E | PROPOSED ELECTRIC LINE |
| --- | PROPOSED SEWER LINE | G | PROPOSED GAS LINE |
| --- | PROPOSED ELECTRIC LINE | T | PROPOSED TELEPHONE LINE |
| --- | PROPOSED GAS LINE | + | PROPOSED SIGN |
| --- | PROPOSED TELEPHONE LINE | ○ | PROPOSED WHEEL STOP |
| --- | PROPOSED SIGN | • | PROPOSED BOLLARD |
| --- | PROPOSED WHEEL STOP | △ | PROPOSED FDC |
| --- | PROPOSED BOLLARD | | |
| --- | PROPOSED FDC | | |

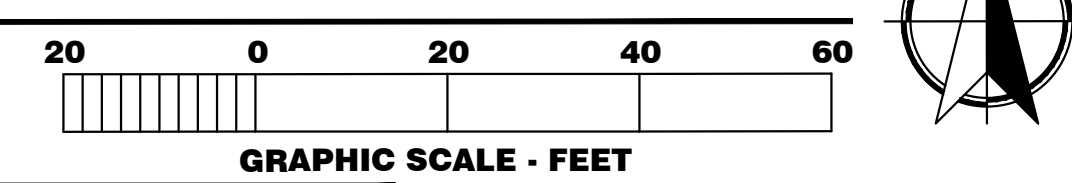
MATERIALS LIST

| QUANTITY | DESCRIPTION | WATER QUANTITIES: | SEWER QUANTITIES: |
|----------|-----------------------|-------------------|-------------------|
| 12 LF | PROPOSED FIRE HYDRANT | 12 LF | 149 LF |
| 95 LF | PROPOSED GATE VALVE | 95 LF | 3 |
| 67 | PROPOSED THRUST BLOCK | 67 | |
| 1 | PROPOSED CLEANOUT | | |
| 1 | PROPOSED LIGHT POLE | | |
| 1 | PROPOSED RIPRAP | | |
| 1 | | | |
| 1 | | | |
| 1 | | | |
| 2 | | | |
| 2 | | | |
| 4 | | | |
| 4 | | | |
| 1 | | | |

NOTE: THIS MATERIALS LIST WAS PREPARED FOR THE SOLE PURPOSE OF PWSD PERMITTING AND IS TO NOT BE USED FOR THE PURPOSES OF BIDDING ON THIS PROJECT.

1 PWSD UTILITY PLAN

C4.2 SCALE: 1" = 20'-0"



CAUTION: INFORMATION ON THIS DRAWING CONCERNING TYPE AND LOCATION OF UNDERGROUND AND OTHER UTILITIES IS NOT GUARANTEED TO BE ACCURATE OR ALL INCLUSIVE. THE CONTRACTOR IS RESPONSIBLE FOR MAKING HIS OWN DETERMINATION AS TO THE TYPE AND LOCATION OF UNDERGROUND AND OTHER UTILITIES AS MAY BE NECESSARY TO AVOID DAMAGE THERETO.

BENCHMARK

DOUGLAS COUNTY BENCHMARK 1.060032, EL=5,903.17 FEET (NAVD88) - 3 1/4" INCH ALUMINUM CAP (DOUGLAS COUNTY GIS SECONDARY CONTROL MONUMENT 1.060032) AT THE SOUTHEAST CORNER OF THE PARKING LOT OF STROTH RANCH SOCCER FIELDS, ON THE NORTH SIDE OF STROTH RD, EAST OF THE INTERSECTION OF STROTH ROAD AND N. MOTSENBOCKER ROAD, CITY OF PARKER, COLORADO.

BASIS OF BEARING

BEARINGS SHOWN HEREON ARE BASED ON THE NORTHERLY LINE OF THE NORTHEAST QUARTER OF SECTION 3, TOWNSHIP 7 SOUTH, RANGE 66 WEST OF THE 6TH P.M., MONUMENTED AS SHOWN ON THIS SURVEY PLAT AS BEARING NORTH 89°33'14" EAST, WITH ALL BEARINGS CONTAINED HEREIN RELATIVE THERETO.

UNAUTHORIZED CHANGES & USES

THE ENGINEER PREPARING THESE PLANS WILL NOT BE RESPONSIBLE FOR, OR LIABLE FOR, UNAUTHORIZED CHANGES TO OR USES OF THESE PLANS. ALL CHANGES OF THESE PLANS MUST BE IN WRITING AND MUST BE APPROVED BY THE PREPARER OF THESE PLANS PRIOR TO CONSTRUCTION. CONSTRUCTION CONTRACTOR AGREES THAT IN ACCORDANCE WITH GENERALLY ACCEPTED CONSTRUCTION PRACTICES, CONSTRUCTION CONTRACTOR WILL BE REQUIRED TO ASSUME SOLE AND COMPLETE RESPONSIBILITY FOR JOB SITE CONDITIONS DURING THE COURSE OF CONSTRUCTION OF THE PROJECT, INCLUDING SAFETY OF ALL PERSONS AND PROPERTY, THAT THIS REQUIREMENT SHALL BE MADE TO APPLY CONTINUOUSLY AND NOT BE LIMITED TO NORMAL WORKING HOURS, AND CONSTRUCTION CONTRACTOR FURTHER AGREES TO DEFEND, INDEMNIFY AND HOLD DESIGN PROFESSIONAL HARMLESS FROM ANY AND ALL LIABILITY, REAL OR ALLEGED, IN CONNECTION WITH THE PERFORMANCE OF WORK ON THIS PROJECT, EXCEPTING LIABILITY ARISING FROM THE SOLE NEGLIGENCE OF DESIGN PROFESSIONAL.

NOTE TO CONTRACTOR

THE EXISTENCE AND LOCATION OF ANY UNDERGROUND UTILITIES, PIPES, AND/OR STRUCTURES SHOWN ON THESE PLANS WERE OBTAINED BY A SEARCH OF AVAILABLE RECORDS. THERE MAY BE EXISTING UTILITIES NOT SHOWN ON THESE PLANS. THE CONTRACTOR SHALL ASCERTAIN THE TRUE VERTICAL AND HORIZONTAL LOCATION OF THOSE UNDERGROUND UTILITIES TO BE USED PRIOR TO CONSTRUCTION AND SHALL BE RESPONSIBLE FOR ANY DAMAGE TO ANY PUBLIC OR PRIVATE UTILITIES, SHOWN OR NOT SHOWN HEREON.

ALL FIRE HYDRANTS SHALL BE INSTALLED ACCORDING TO WATER UTILITY STANDARDS. THE NUMBER AND LOCATIONS OF THE FIRE HYDRANTS AS SHOWN ON THE OVERALL UTILITY PLAN ARE CORRECT AS SPECIFIED BY THE TOWN OF PARKER, COMMUNITY DEVELOPMENT DEPARTMENT.

FIRE CODE OFFICIAL OR DESIGNATED REPRESENTATIVE _____ DATE _____

(NOTE - UNDERGROUND FIRE LINE (UFL) SUBMITTAL DOCUMENTS MUST MEET THE REQUIREMENTS OF NFPA 24 WHEN SUBMITTING FOR REVIEW)

THE DISTRICT INSPECTOR MUST BE NOTIFIED AT LEAST 48 HOURS PRIOR TO START OF CONSTRUCTION. CALL PARKER WATER AND SANITATION DISTRICT AT 303-841-4627. THE DISTRICT WILL PROVIDE PERIODIC INSPECTIONS OF THE WORK. 24 HOUR NOTICE TO THE INSPECTOR IS REQUIRED FOR SCHEDULING INSPECTIONS. ANY WORK ACCOMPLISHED WITHOUT THE APPROVAL OF THE INSPECTOR WILL BE SUBJECT TO REJECTION.

REVIEWED FOR CONFORMANCE TO PARKER WATER AND SANITATION DISTRICT STANDARDS.

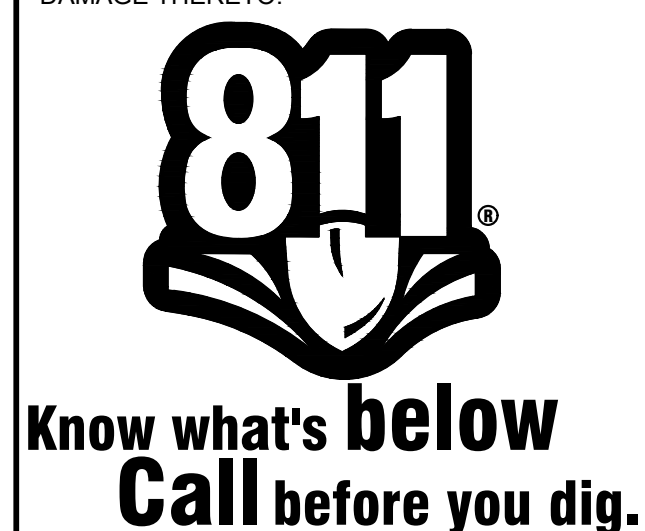
BY: _____
(DISTRICT REPRESENTATIVE)

DATE: _____

APPROVED FOR CONSTRUCTION: PARKER WATER AND SANITATION DISTRICT

BY: _____
(DISTRICT ENGINEER)

DATE: _____



PREPARED UNDER THE SUPERVISION OF TAIT & ASSOCIATES, INC.

320 North Lincoln Avenue
Loveland, CO 80537
p: 970.613.1447
www.tait.com

ENGINEERING ENVIRONMENTAL BUILDING LAND
712026 Denver
65775 Sacramento
65775 San Luis Obispo Riverside

Since 1914

DAVIS

STEVEN P. BUNCH, P.E. 65775

LOT 1 PARKER POINTE SUBDIVISION FILING 1

PROJECT: NEW O'REILLY AUTO PARTS STORE
STROTH RD
PARKER, CO #2
PWSD UTILITY PLAN

TIMOTHY M. GUILLOT
ARCHITECT

1736 East Sunshine, Suite 417
Springfield, Missouri 65804

417.862.0558
417.862.3265
e-mail: architect@esterlyschneider.com

O'Reilly AUTO PARTS

CORPORATE OFFICES
233 SOUTH PATTERSON
SPRINGFIELD, MISSOURI 65802
(417) 862-2674 TELEPHONE

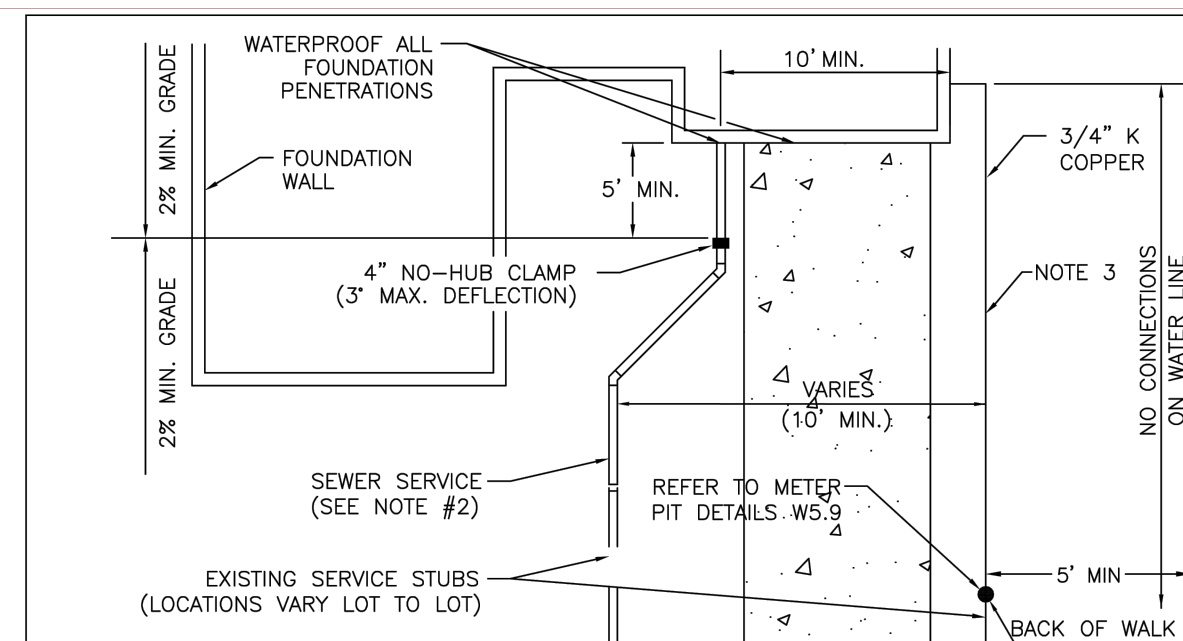
COMM # 4884

DATE: 02/14/2025

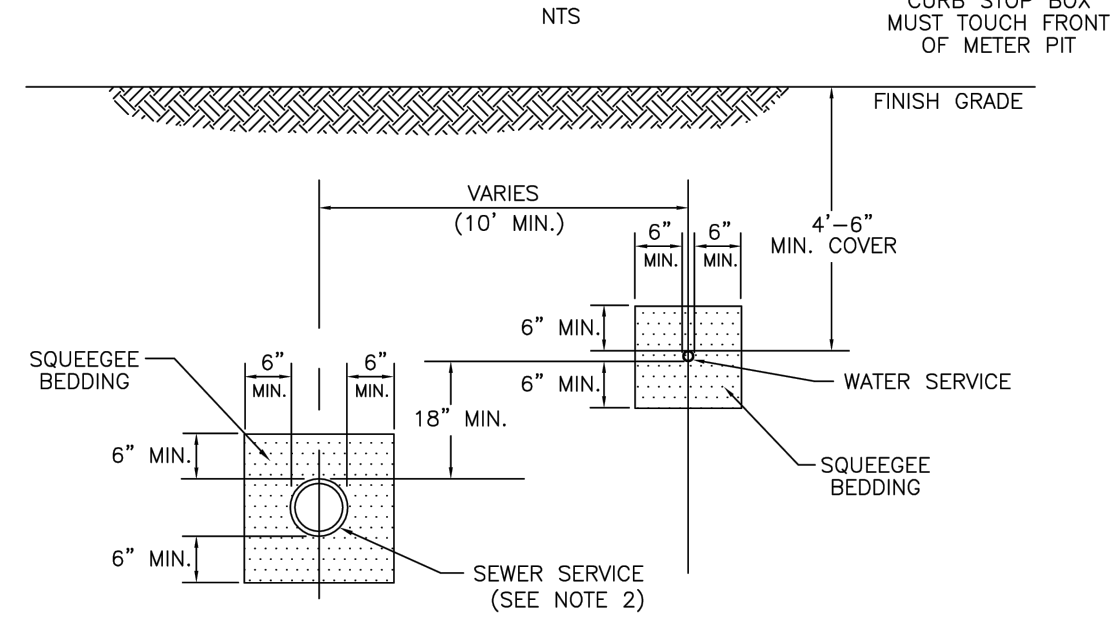
REVISION DATE: 05/02/2025

07/01/2025

C4.2



TYPICAL SERVICES PLAN VIEW

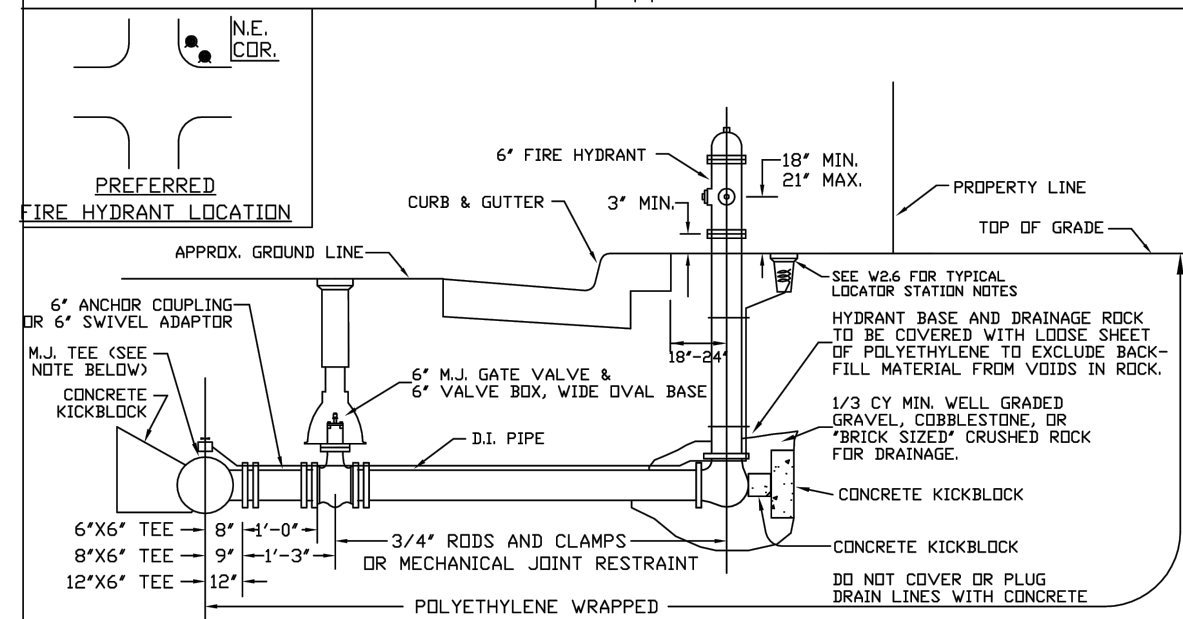
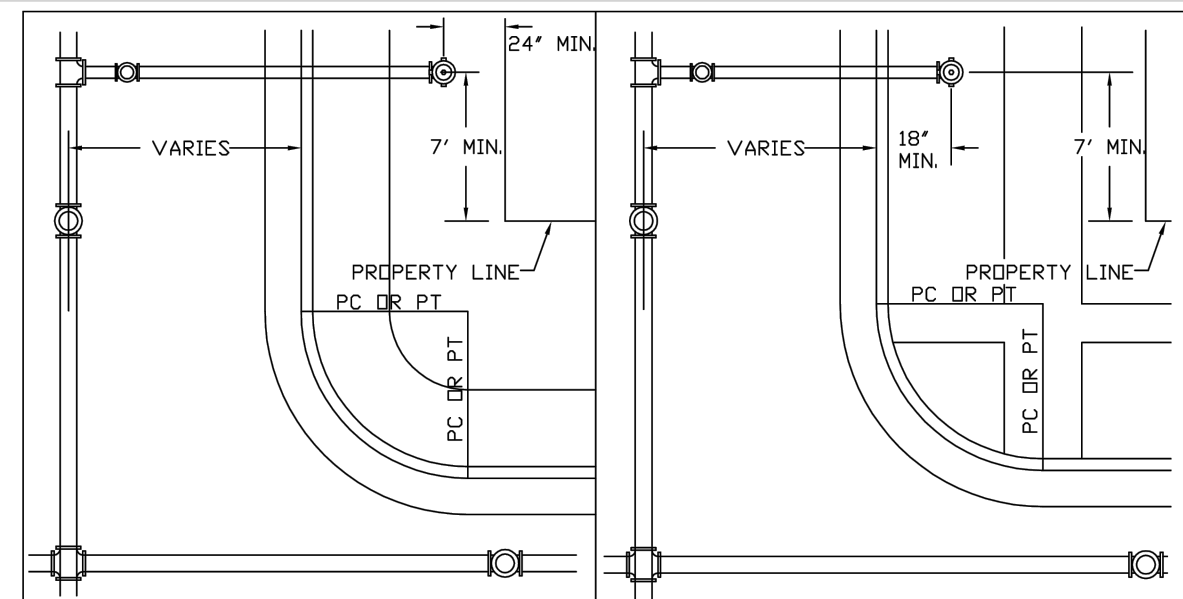


TYPICAL SERVICES SECTION

- NOTE:
- SEE SHEET W1.1 FOR DISTRICT POLICIES AND INSTALLATION NOTES.
 - REFER TO SEWER SERVICES DETAIL SHEET S1.2.
 - 4" PVC SLEEVES REQUIRED FOR SERVICE LINES UNDER CONCRETE SURFACE.

| | |
|------------------------------------|------------------|
| PARKER WATER & SANITATION DISTRICT | |
| TYPICAL WATER SERVICES | |
| SCALE: NONE | DATE: 2/96 |
| APPROVED: PVR | 1/04 10/16 |
| DIRECTOR OF ENGINEERING | 08/05 12/07 1/16 |

2016 REVISION

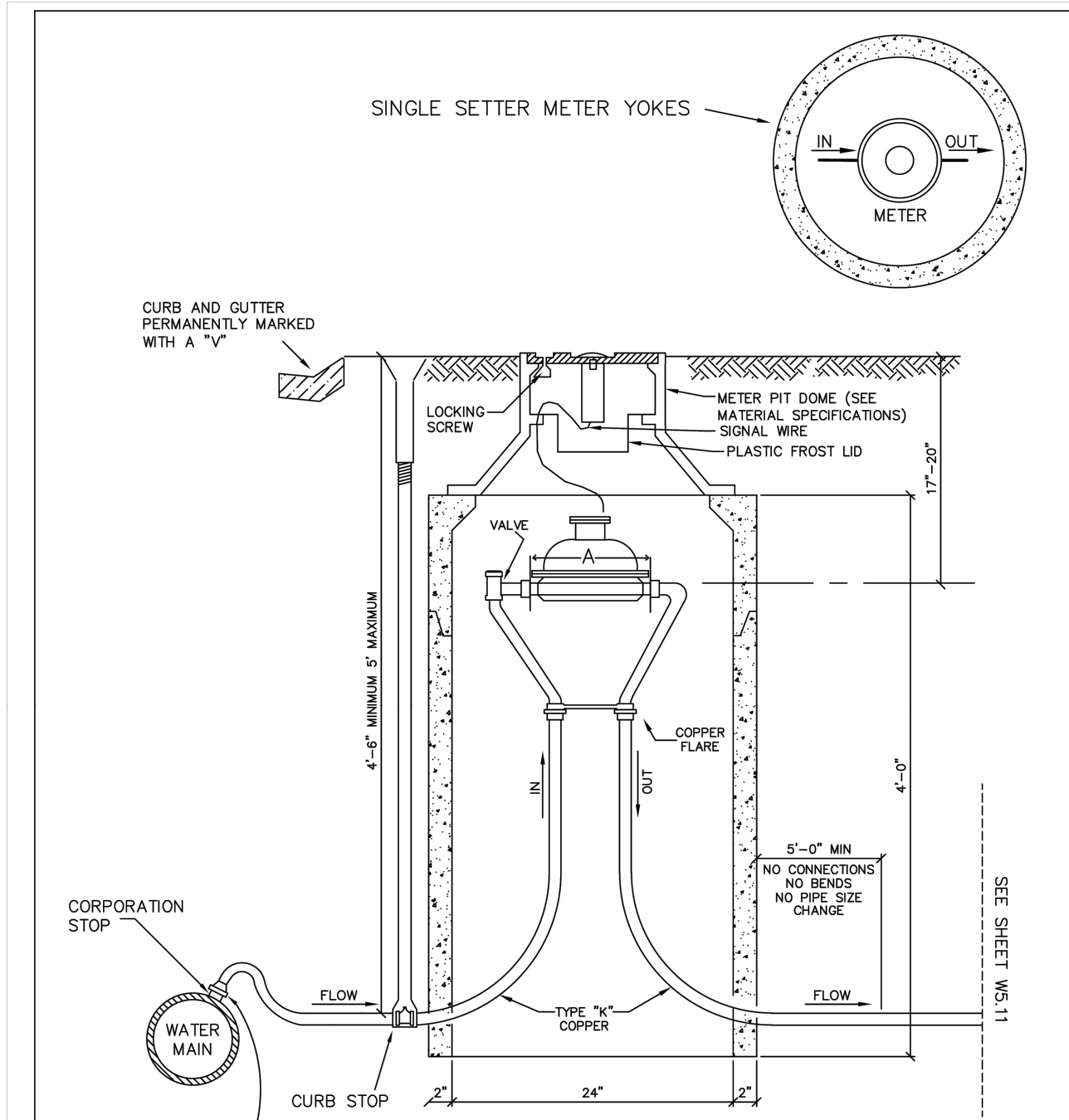


NOTES:

- ALTERNATE TO THE ABOVE: FACTOR M.J. VALVE DIRECTLY TO A M.J. ANCHOR TEE (W/SLIP) CALLED SWIVEL TEE.
- NO HORIZONTAL OR VERTICAL BENDS ARE ALLOWED IN FIRE HYDRANT BRANCH.
- NO PORTION OF FIRE HYDRANT MAY BE LOCATED UNDER WALKWAY AREA.
- FIRE HYDRANT EXTENSIONS MAY NOT PENETRATE INTO WALKWAY AREA.

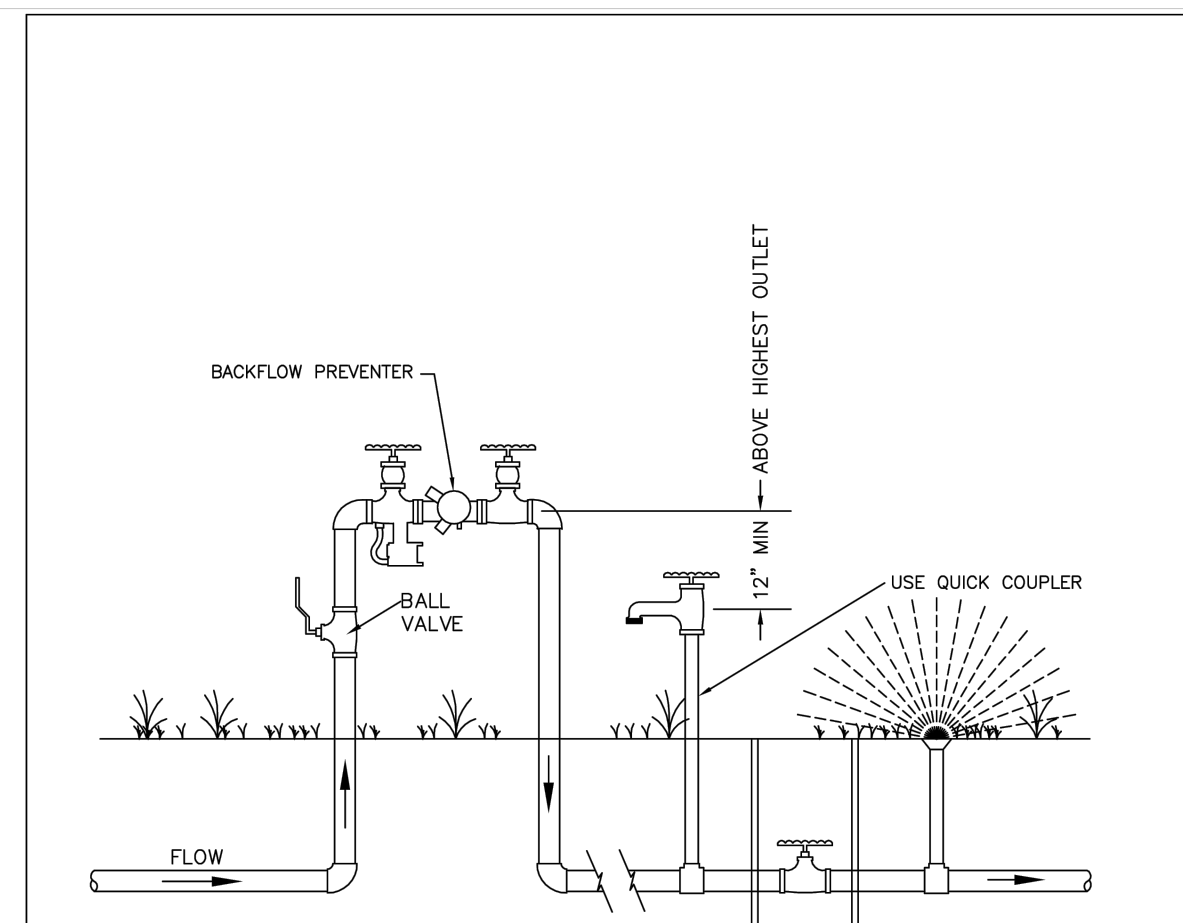
| | |
|---------------------------------------|-----------------------------|
| PARKER WATER & SANITATION DISTRICT | |
| FIRE HYDRANTS LOCATION & INSTALLATION | |
| SCALE: NONE | DATE: 2/96 |
| APPROVED: PVR | 4/01 10/16 07/02 12/07 1/16 |
| DIRECTOR OF ENGINEERING | |

2016 REVISION



| | |
|---|---|
| PARKER WATER & SANITATION DISTRICT | |
| RESIDENTIAL ALL OUTSIDE SETTINGS FOR 3/4" & 1" METERS | |
| SCALE: NONE | DATE: 2/96 |
| APPROVED: PVR | 01/04 01/16 06/05 10/16 01/08 10/18 01/12 |
| DIRECTOR OF ENGINEERING | |

2018 REVISION

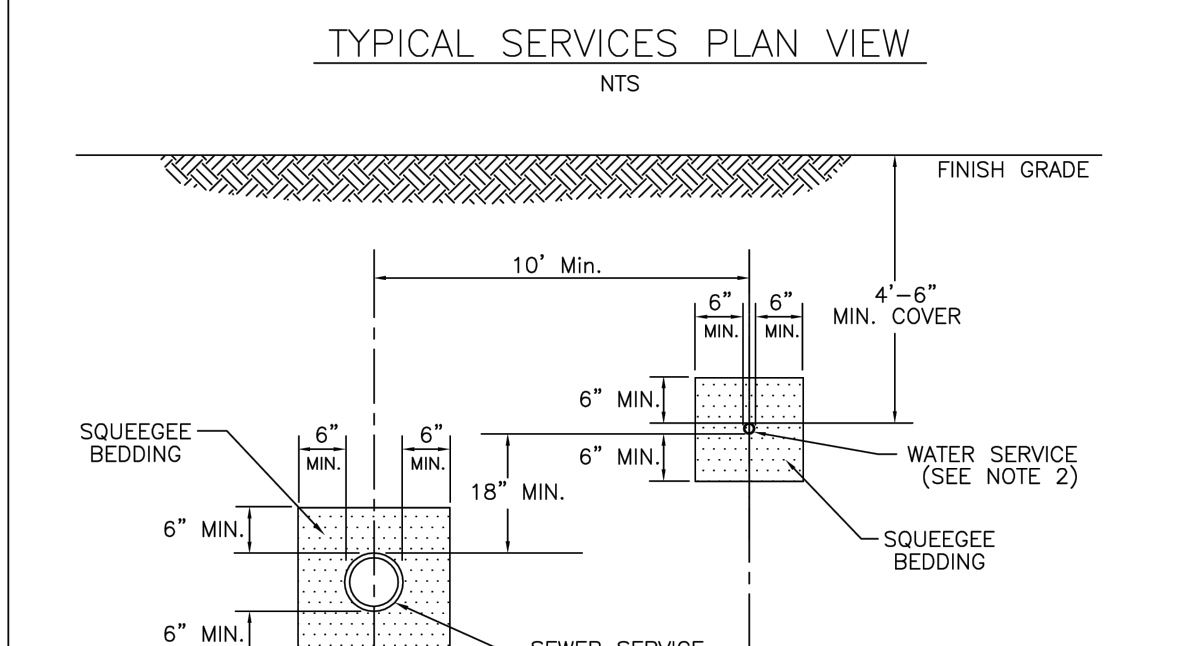
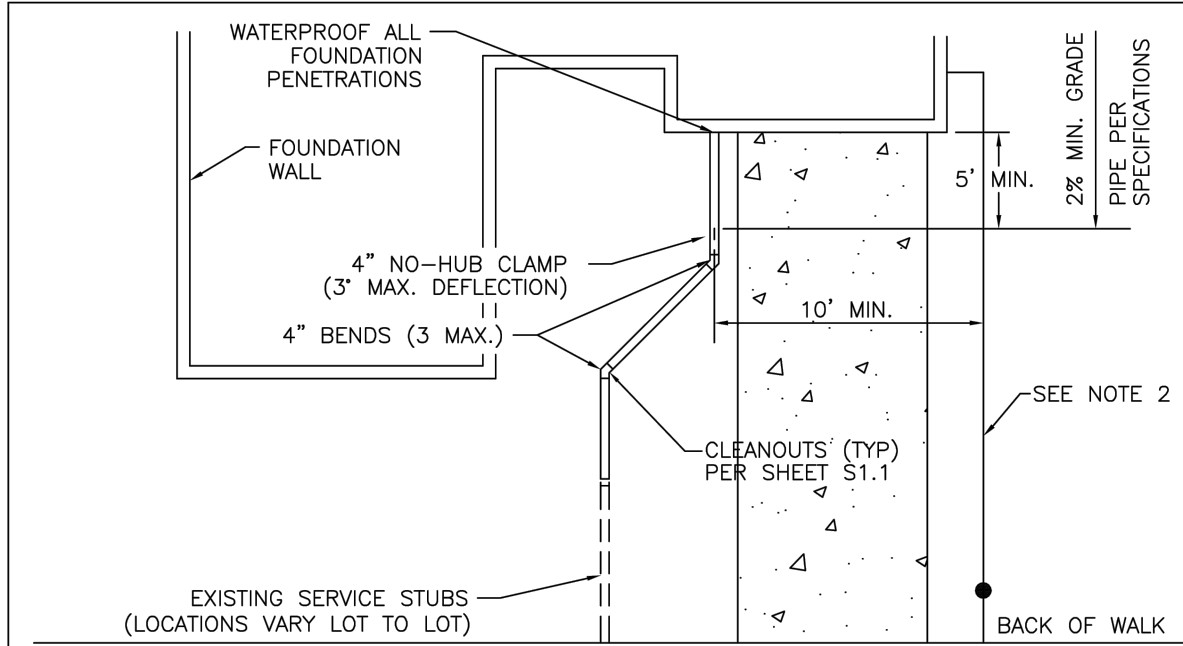


REDUCED PRESSURE BACKFLOW ON IRRIGATION SYSTEM

- NOTE:
- ALL IRRIGATION SYSTEMS MUST BE CONNECTED DOWN STREAM OF METER.
 - PROVIDE ENCLOSURE.

| | |
|------------------------------------|-----------------------|
| PARKER WATER & SANITATION DISTRICT | |
| REDUCED PRESSURE BACKFLOW | |
| SCALE: NONE | DATE: 2/96 |
| APPROVED: PVR | 2/04 08/05 1/16 10/16 |
| DIRECTOR OF ENGINEERING | |

2016 REVISION

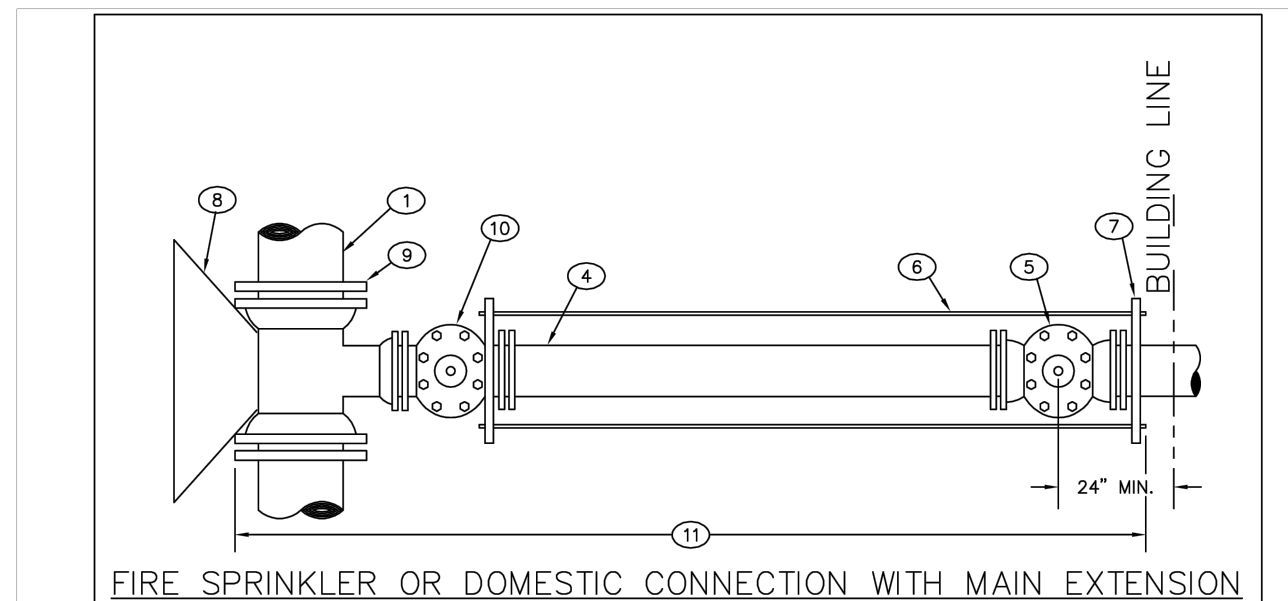


NOTE:

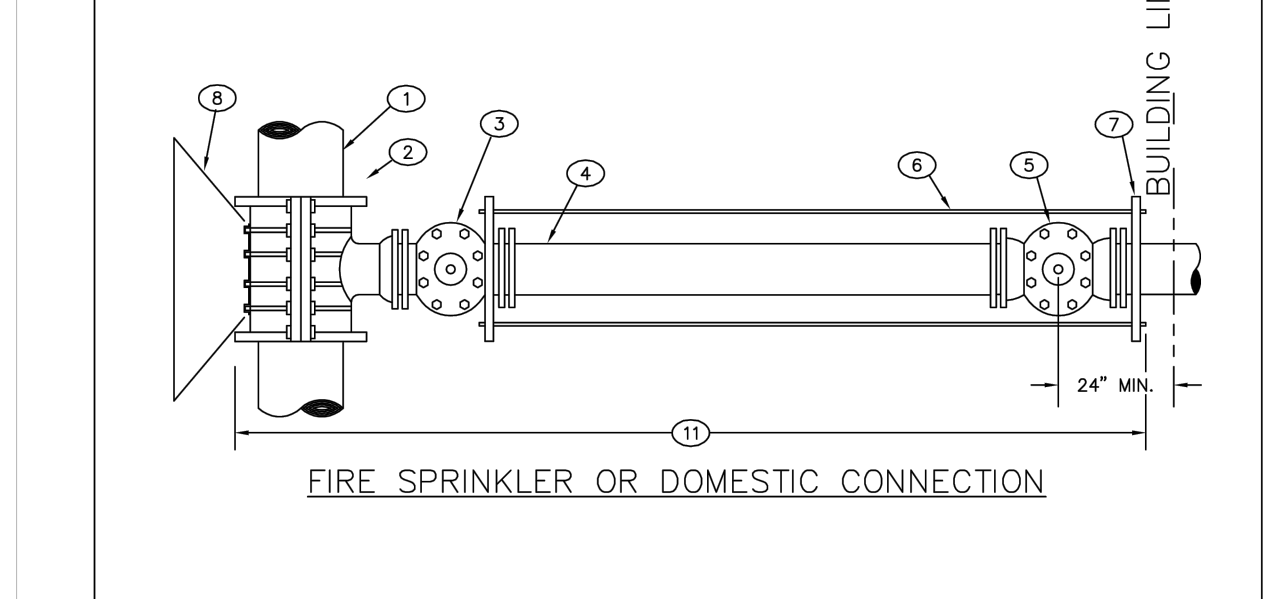
- SEE SHEET S1.1 FOR DISTRICT POLICIES AND INSTALLATION NOTES.
- TYPICAL WATER SERVICES SHOWN ON SHEET W1.2 IN WATER DETAILS.

| | |
|------------------------------------|------------------------|
| PARKER WATER & SANITATION DISTRICT | |
| TYPICAL SEWER SERVICES | |
| SCALE: NONE | DATE: 2/96 |
| APPROVED: PVR | 2/00 01/02 01/16 10/16 |
| DIRECTOR OF ENGINEERING | |

2016 REVISION



FIRE SPRINKLER OR DOMESTIC CONNECTION WITH MAIN EXTENSION

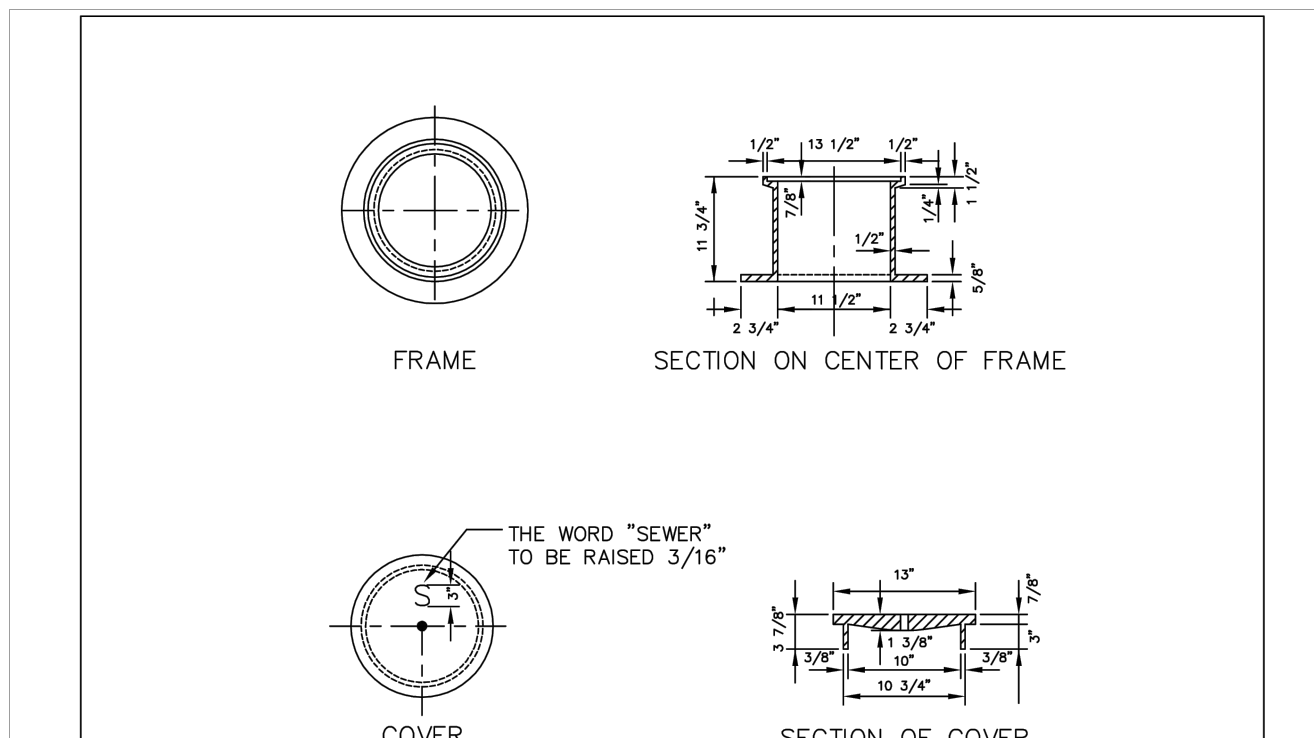


LEGEND:

- EXISTING MAIN
- TAPPING SLEEVE
- TAPPING VALVE
- DOUBLE SPOOT PIPE
- PROPERTY LINE VALVE
- TEE ROOS
- PIPE CLAMP
- CONCRETE KICKBLOCK
- M.J. ANCHORING TEE (SWIVEL TEE)
- M.J. VALVE
- POLYETHYLENE WRAPPED

| | |
|---|------------|
| PARKER WATER & SANITATION DISTRICT | |
| 3" AND LARGER DOMESTIC AND FIRE SPRINKLER CONNECTIONS | |
| SCALE: NONE | DATE: 2/96 |
| APPROVED: PVR | 1/16 10/16 |
| DIRECTOR OF ENGINEERING | |

2016 REVISION



| | |
|------------------------------------|----------------------|
| PARKER WATER & SANITATION DISTRICT | |
| IN-LINE CLEANOUT SECTIONS | |
| SCALE: NONE | DATE: 2/96 |
| APPROVED: PVR | 2/00 1/08 1/16 10/16 |
| DIRECTOR OF ENGINEERING | |

2016 REVISION

PREPARED UNDER THE SUPERVISION OF TAIT & ASSOCIATES, INC.

TAIT & ASSOCIATES
320 North Lincoln Avenue
Loveland, CO 80537
p: 970.613.1447
www.tait.com

ENGINEERING ENVIRONMENTAL BUILDING LAND
Sacramento Denver
San Luis Obispo Riverside Boise

Since 1964

Steven P. Bunch, PE 65775

COLORADO LICENSED PROFESSIONAL ENGINEER

DATE: 02/06/2025
DESIGNED: JE
DATE: 02/06/2025
CHECKED: SB
DATE: 02/11/2025

417.862.6558
417.862.3265
e-mail: architec@esterlyschneider.com

LOT 1 PARKER POINTE SUBDIVISION FILING 1

PROJECT:
NEW O'REILLY AUTO PARTS STORE
STROH RD
PARKER, CO #2

PWSD STANDARD DETAILS

O'Reilly AUTO PARTS

CORPORATE OFFICES:
233 SOUTH PATTERSON
SPRINGFIELD, MISSOURI 65802
(417) 862-2674 TELEPHONE

COMM # 4884
DATE: 02/14/2025
REVISION
DATE: