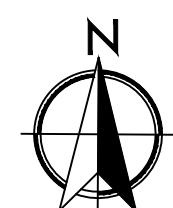
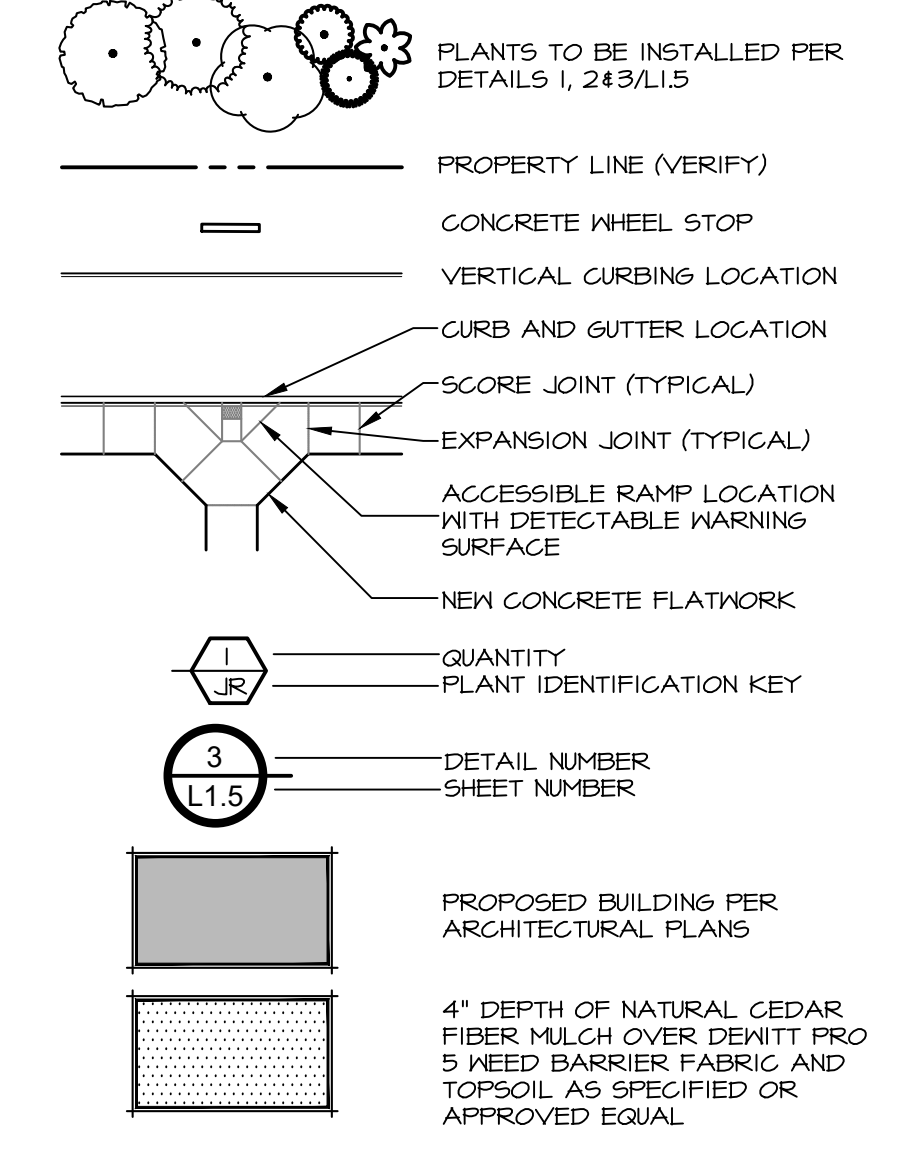


1 LANDSCAPE PLAN
L1.0 SCALE: 1" = 20'-0"
 20 0 20 40 60
 GRAPHIC SCALE - FEET



TRANSFORMER MAY NOT OPEN INTO DRIVE OR PARKING SPOT. CORE REQUIRES 10-FEET BETWEEN BACK OF CURB AND FRONT OF TRANSFORMER.
 TREE PLANTINGS MAY NOT BE PLANTED WITHIN 10 FEET OF THE TRANSFORMER CORE CUBICAL

LANDSCAPE LEGEND

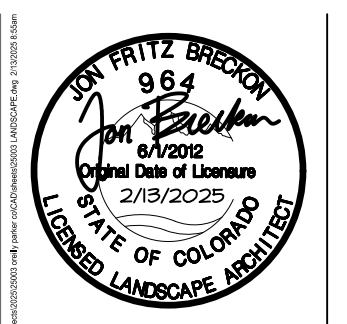


LANDSCAPE REQUIREMENTS

PARKING LOT			
Requirements:		REQUIRED	PROVIDED
1 TREE / ISLAND		2 TREES	2 TREES
5 SHRUBS / ISLAND		10 SHRUBS	17 SHRUBS
PERIMETER			
Requirements:	LENGTH	REQUIRED	PROVIDED
1 TREE / 40 LF	834 LF	21 TREES	18 TREES
5 SHRUBS / 40 LF		105 SHRUBS	141 SHRUBS
* REPLACE 1 TREE WITH 10 SHRUBS			
GENERAL			
Requirements:	TOTAL TREES	EVERGREEN TREES	PROVIDED
25-50% EVERGREEN TREES	23 TREES	6 TREES	26%

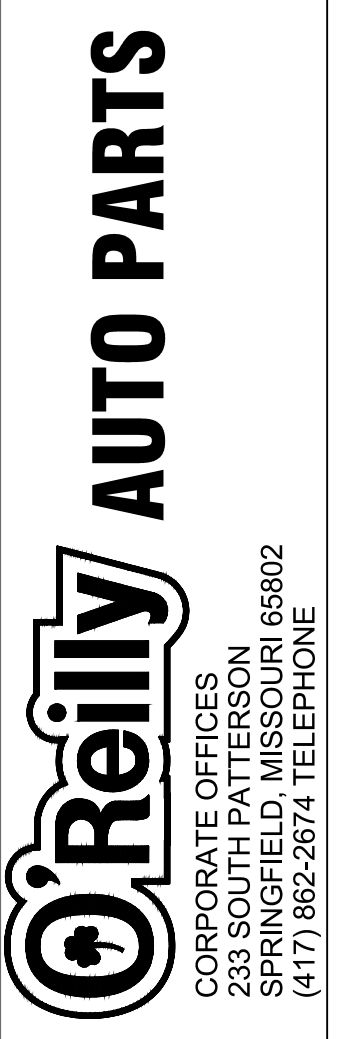
PLANT SCHEDULE

SYMBOL	CODE	QTY	BOTANICAL NAME	COMMON NAME	SIZE	REMARKS
TREES						
	AX	7	Acer truncatum x platanoides 'Warrenred'	Pacific Sunset Maple	2" Cal. B4B	30' X 25' W
	FP	7	Parrotia persica	Persian Ironwood	2" Cal. B4B	40' X 30' W
	PB	6	Picea pungens glauca 'Baby Blue Eyes'	Baby Blue Eyes Colorado Blue Spruce	2" Cal. B4B	30' X 15' W
SHRUBS						
	CC	11	Coreopsis x 'Creme Brulee'	Creme Brulee Tickseed	1 gal.	1'-2" H x 2'-3" W
	CA	14	Cornus alba 'Balthalo' TM	Ivory Halo Dogwood	5 gal.	6'-8" H & W
	CS	26	Cornus sericea 'Kelsey'	Kelsey Dwarf Redtwig Dogwood	2 gal.	24"-30" H x 24"-30" W
	F	14	Euonymus fortunei 'Colorata'	Purple-leaf Winter Creeper	2 gal.	2'-3" H & 6'-8" W
	P	24	Hydrangea paniculata 'Little Lime'	Little Lime Panicle Hydrangea	5 gal.	3'-5" H & W
	H	4	Pennisetum alopecuroides 'Hameln'	Hameln Fountain Grass	2 gal.	2'-3" H x 1'-2" W
	VP	6	Viburnum plicatum 'Popcorn'	Popcorn Japanese Snowball	5 gal.	6'-8" H & 6'-8" W
	RA	8	Rhus aromatica 'Gro-Low'	Gro-Low Fragrant Sumac	3 gal.	2'-3" H x 5'-1" W
	SS	21	Salvia x sylvestris 'May Night'	May Night Sage	1 gal.	18"-24" H & W
	WF	8	Wiegela florida 'Red Prince'	Red Prince Wiegela	5 gal.	5'-6" H & W



TIMOTHY M. GUILLOT
 ARCHITECT
 1736 East Sunshine, Suite 417
 Springfield, Missouri 65804
 417.862.0558
 Fax: 417.862.3265
 e-mail: architect@estertyschneider.com

PROJECT:
 NEW O'REILLY AUTO PARTS STORE
 STROH RD
 PARKER, CO #2
 LANDSCAPE PLAN



COMM #	4884
DATE:	2-14-2025
REVISION DATE:	

LANDSCAPE AREA PREPARATION NOTES:

- LIMIT TURF SUBGRADE PREPARATION TO AREAS TO BE PLANTED.
- NEWLY GRADED SUBGRADES, LOOSEN SUBGRADE TO A MINIMUM DEPTH OF 4 INCHES, REMOVE STONES LARGER THAN 1 INCH IN ANY DIMENSION AND STICKS, ROOTS, RUBBISH, AND OTHER EXTRANEOUS MATTER AND LEGALLY DISPOSE OF THEM OFF OWNER'S PROPERTY.
 - SPREAD PLANTING SOIL TO A DEPTH OF 12 INCHES IN TURF AREAS AND 18 INCHES AT SHRUB BED AREAS BUT NOT LESS THAN REQUIRED TO MEET FINISH GRADES AFTER LIGHT ROLLING AND NATURAL SETTLEMENT. DO NOT SPREAD IF PLANTING SOIL OR SUBGRADE IS FROZEN, MUDDY, OR EXCESSIVELY WET.
 - SPREAD PLANTING SOIL OVER LOOSENED SUBGRADE.
 - REDUCE ELEVATION OF PLANTING SOIL TO ALLOW FOR SOIL THICKNESS OF SOD OR SEED.
- UNCHANGED SUBGRADES: IF TURF IS TO BE PLANTED IN AREAS UNALTERED OR UNDISTURBED BY EXCAVATING, GRADING, OR SURFACE-SOIL STRIPPING OPERATIONS, PREPARE SURFACE SOIL AS FOLLOWS:
 - REMOVE EXISTING GRASS, VEGETATION, AND TURF. DO NOT MIX INTO SURFACE SOIL.
 - LOOSEN SURFACE SOIL TO A DEPTH OF AT LEAST 6 INCHES. PROVIDE WEED ABATEMENT PROCEDURE. APPLY SOIL AMENDMENTS AND FERTILIZERS ACCORDING TO PLANTING SOIL MIX PROPORTIONS AND MIX THOROUGHLY INTO TOP 6 INCHES OF SOIL. TILL SOIL TO A HOMOGENEOUS MIXTURE OF FINE TEXTURE.
 - APPLY SOIL AMENDMENTS DIRECTLY TO SURFACE SOIL BEFORE LOOSENING.
 - REMOVE STONES LARGER THAN 1 INCH IN ANY DIMENSION AND STICKS, ROOTS, TRASH, AND OTHER EXTRANEOUS MATTER.
 - LEGALLY DISPOSE OF WASTE MATERIAL, INCLUDING GRASS, VEGETATION, AND TURF, OFF OWNER'S PROPERTY.
- FINISH GRADING: GRADE PLANTING AREAS TO A SMOOTH, UNIFORM SURFACE PLANE WITH LOOSE, UNIFORMLY FINE TEXTURE. GRADE TO WITHIN PLUS OR MINUS 1/2 INCH OF FINISH ELEVATION. ROLL AND RAKE, REMOVE RIDGES, AND FILL DEPRESSIONS TO MEET FINISH GRADES. LIMIT FINISH GRADING TO AREAS THAT CAN BE PLANTED IN THE IMMEDIATE FUTURE.
- MOISTEN PREPARED AREA BEFORE PLANTING IF SOIL IS DRY. WATER THOROUGHLY AND ALLOW SURFACE TO DRY BEFORE PLANTING. DO NOT CREATE MUDDY SOIL.
- BEFORE PLANTING, OBTAIN DESIGN PROFESSIONAL'S ACCEPTANCE OF FINISH GRADING; RESTORE PLANTING AREAS IF ERODED OR OTHERWISE DISTURBED AFTER FINISH GRADING.
- DO NOT SOAK IMMEDIATELY FOLLOWING RAIN, OR WHEN GROUND IS TOO DRY. TEMPERATURE SHALL BE BETWEEN 55 F AND 85 F FOR A 24 HOUR PERIOD. WIND SHALL BE LESS THAN 5 MPH.

TOPSOIL NOTES

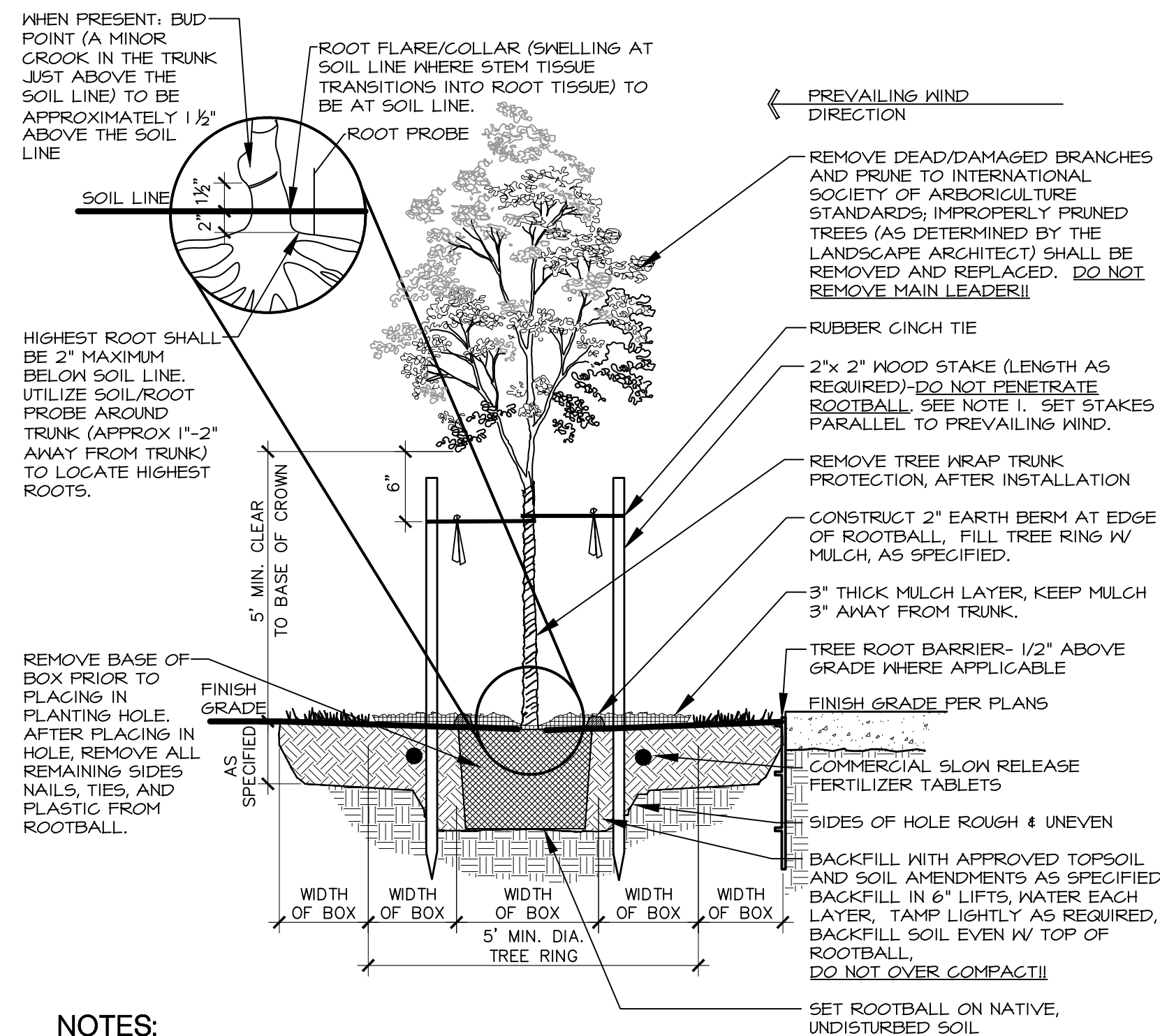
- TOPSOIL REQUIREMENTS: ASTM D 5268, PH RANGE OF 5.5 TO 7.0, FOUR PERCENT ORGANIC MATERIAL MINIMUM, FREE OF STONES 1/2 INCH OR LARGER IN ANY DIMENSION, AND OTHER EXTRANEOUS MATERIALS HARMFUL TO PLANT GROWTH.
- TOPSOIL SOURCE: STRIP EXISTING TOPSOIL FROM ALL AREAS OF THE SITE TO BE DISTURBED. TOPSOIL SHALL BE FERTILE, FRIABLE, NATURAL LOAM, SURFACE SOIL, REASONABLY FREE OF SUBSOIL, CLAY LUMPS, BRUSH, WEEDS AND OTHER LITTER, AND FREE OF ROOTS, STUMPS, ORGANIC MATTER LARGER THAN 2 INCHES IN ANY DIMENSION, AND OTHER EXTRANEOUS OR TOXIC MATTER HARMFUL TO PLANT GROWTH. TOPSOIL SHALL BE SCREENED TO ACHIEVE THIS REQUIREMENT.
- REPRESENTATIVE SAMPLES SHALL BE TESTED FOR ACIDITY, FERTILITY AND GENERAL TEXTURE BY A RECOGNIZED COMMERCIAL OR GOVERNMENT AGENCY AND COPIES OF THE TESTING AGENCY'S FINDINGS AND RECOMMENDATIONS SHALL BE FURNISHED TO THE ARCHITECT'S REPRESENTATIVE BY THE CONTRACTOR. ALL TOPSOIL SHALL BE AMENDED TO ACHIEVE SPECIFIED PH AND ORGANIC REQUIREMENTS. RE-TEST TOPSOIL PRIOR TO FINAL COMPLETION TO ENSURE REQUIREMENTS HAVE BEEN MET. NO TOPSOIL SHALL BE PLACED WHILE IN A FROZEN OR MUDDY CONDITION.
- PLACE TOPSOIL IN AREAS WHERE REQUIRED TO OBTAIN THICKNESS AS SCHEDULED, PLACE TOPSOIL DURING DRY WEATHER, PROVIDE ADDITIONAL IMPORTED TOPSOIL REQUIRED TO BRING SURFACE TO PROPOSED FINISH GRADE, AS REQUIRED.
 - COMPACTED TOPSOIL THICKNESS AT THE FOLLOWING AREAS:
 - LAWN AREAS, 12 INCHES MINIMUM OR AS NECESSARY TO ACHIEVE EVEN GRADES WITH SURROUNDING LAWN AREAS.
 - PLANTER BEDS, 18 INCHES MINIMUM
 - FINE GRADE TOPSOIL TO SMOOTH, EVEN SURFACE WITH LOOSE, UNIFORMLY FINE TEXTURE, REMOVE RIDGES AND FILL DEPRESSIONS, AS REQUIRED TO MEET FINISH GRADES. FINISH GRADE OF TOPSOIL SHALL BE 2" BELOW FINISH GRADE OF PAVEMENTS AREAS FOR SOD AND 1" FOR SEED.
- TOPSOIL STOCKPILE LOCATIONS TO BE COVERED COORDINATE WITH EROSION AND SEDIMENT CONTROL PLAN.
- ALL GRAVEL, SUBBASE, AND OTHER IMPORTED FILL MATERIALS OTHER THAN TOPSOIL, SHALL ONLY BE STOCKPILED IN PROPOSED IMPERVIOUS AREAS. NO GRAVEL OR ROCK MATERIALS SHALL BE STOCKPILED OR TEMPORARILY PLACED IN PROPOSED LANDSCAPE AREAS TO PREVENT LANDSCAPE AREAS FROM BEING CONTAMINATED WITH ROCK MATERIALS. CONTRACTOR SHALL SUBMIT A DETAILED STOCKPILE PLAN TO DESIGN PROFESSIONAL AND OWNER FOR APPROVAL PRIOR TO ANY EARTHWORK OPERATIONS.

LANDSCAPE NOTES:

- CONTRACTOR SHALL REPORT TO DESIGN PROFESSIONAL ALL CONDITIONS WHICH IMPAIR AND/OR PREVENT THE PROPER EXECUTION OF THIS WORK, PRIOR TO BEGINNING WORK.
- NO MATERIAL SUBSTITUTIONS SHALL BE MADE WITHOUT THE DESIGN PROFESSIONAL'S PRIOR WRITTEN APPROVAL. ALTERNATE MATERIALS OF SIMILAR SIZE AND CHARACTER MAY BE CONSIDERED IF SPECIFIED PLANT MATERIALS CAN NOT BE OBTAINED.
- COORDINATE ALL WORK WITH ALL OTHER SITE RELATED DEVELOPMENT DRAWINGS. COORDINATE WORK SCHEDULE AND OBSERVATIONS WITH DESIGN PROFESSIONAL PRIOR TO CONSTRUCTION START-UP.
- ALL PLANT MATERIAL SHALL BE GUARANTEED FOR A PERIOD OF ONE YEAR BEGINNING AT THE DATE OF ACCEPTANCE BY THE OWNER. REPLACE ALL PLANT MATERIAL FOUND DEAD OR NOT IN A HEALTHY CONDITION IMMEDIATELY WITH THE SAME SIZE AND SPECIES AT NO COST TO THE OWNER.
- FINISH GRADES SHALL PROVIDE A SMOOTH TRANSITION WITH ADJACENT SURFACES AND ENSURE POSITIVE DRAINAGE IN ACCORDANCE WITH THE SITE GRADING PLAN.
- AMEND EXISTING APPROVED TOPSOIL AT A RATIO OF THREE CUBIC YARDS OF APPROVED COMPOST PER 1000 SQUARE FEET. ROTO-TILL ORGANIC MATTER A MINIMUM OF 6 INCHES INTO TOPSOIL.
- FERTILIZE ALL TREES AND SHRUBS WITH 'AGRIFORM' PLANTING TABLETS. QUANTITY PER MANUFACTURER'S RECOMMENDATIONS.
- ALL PLANTING BEDS SHALL HAVE A MINIMUM 18" DEPTH OF TOPSOIL. LAWN AREAS SHALL HAVE A MINIMUM 12" DEPTH OF TOPSOIL. SPREAD, COMPACT AND FINE GRADE TOPSOIL TO A SMOOTH AND UNIFORM GRADE 3" BELOW ADJACENT SURFACES OF PLANTER BED AREAS, 1-1/2" BELOW ADJACENT SURFACES OF TURF SOD AREAS, AND 1" BELOW ADJACENT SURFACES OF TURF SEED AREAS.
- REUSE EXISTING TOPSOIL STOCKPILED ON THE SITE. SUPPLEMENT WITH IMPORTED TOPSOIL WHEN QUANTITIES ARE INSUFFICIENT. VERIFY SUITABILITY AND CONDITION OF TOPSOIL AS A GROWING MEDIUM. PERFORM SOIL TEST/ ANALYSIS AND PROVIDE ADDITIONAL AMENDMENT AS DETERMINED BY SOIL TESTS. TOPSOIL SHALL BE A LOOSE, FRIABLE, SANDY LOAM, CLEAN AND FREE OF TOXIC MATERIALS, NOXIOUS WEEDS, WEED SEEDS, ROCKS, GRASS OR OTHER FOREIGN MATERIAL, AND A HAVE A PH OF 5.5 TO 7.0. IF ONSITE TOPSOIL DOES NOT MEET THESE MINIMUM STANDARDS, CONTRACTOR IS RESPONSIBLE TO EITHER:
 - PROVIDE APPROVED IMPORTED TOPSOIL, OR
 - IMPROVE ON-SITE TOPSOIL WITH METHODS APPROVED BY THE DESIGN PROFESSIONAL.
- IF IMPORTED TOPSOIL FROM OFF-SITE SOURCES IS REQUIRED, ENSURE IT IS FERTILE, FRIABLE, NATURAL LOAM, SURFACE SOIL, REASONABLY FREE OF SUBSOIL, CLAY LUMPS, BRUSH, WEEDS AND OTHER LITTER, AND FREE OF ROOTS, STUMPS, STONES LARGER THAN 2 INCHES IN ANY DIMENSION, AND OTHER EXTRANEOUS OR TOXIC MATTER HARMFUL TO PLANT GROWTH.
 - OBTAIN TOPSOIL FROM LOCAL SOURCES OR FROM AREAS HAVING SIMILAR SOIL CHARACTERISTICS TO THOSE FOUND ON THE PROJECT SITE. OBTAIN TOPSOIL ONLY FROM NATURALLY, WELL-DRAINED SITES WHERE TOPSOIL OCCURS AT A DEPTH OF NOT LESS THAN 4 INCHES.
 - REPRESENTATIVE SAMPLES SHALL BE TESTED FOR ACIDITY, FERTILITY, TOXICITY, AND GENERAL TEXTURE BY A RECOGNIZED COMMERCIAL OR GOVERNMENT AGENCY AND COPIES OF THE TESTING AGENCY'S FINDINGS AND RECOMMENDATIONS SHALL BE FURNISHED TO THE OWNER'S REPRESENTATIVE BY THE CONTRACTOR. NO TOPSOIL SHALL BE DELIVERED IN A FROZEN OR MUDDY CONDITION. ACIDITY/ALKALINITY RANGE: PH: 5.5 TO 7.0.
- IMMEDIATELY CLEAN UP ANY TOPSOIL OR OTHER DEBRIS ON THE SITE CREATED FROM LANDSCAPE OPERATIONS AND DISPOSING OF PROPERLY OFF SITE.
- CONTRACTOR SHALL OPERATE THE AUTOMATIC IRRIGATION SYSTEM FOR A PERIOD OF FOURTEEN (14) DAYS. AT CONCLUSION OF THIS WATERING PERIOD, DISCONTINUE WATERING FOR THREE TO FIVE (3-5) DAYS.
- APPLY SECOND APPLICATION OF GROUND-UP TO ALL EXPOSED WEEDS. APPLY IN STRICT CONFORMANCE WITH MANUFACTURER'S SPECIFICATIONS AND INSTRUCTIONS. DO NOT WATER FOR AT LEAST SEVEN (7) DAYS. REMOVE WEEDS FROM THE SITE.
- IF ANY EVIDENCE OF WEED GERMINATION EXISTS AFTER TWO (2) APPLICATIONS, CONTRACTOR SHALL BE DIRECTED TO PERFORM A THIRD APPLICATION.
- AT THE TIME OF PLANTING AND HYDROSEEDING, ALL PLANTING AREAS SHALL BE WEED FREE.

WEED ABATEMENT NOTES:

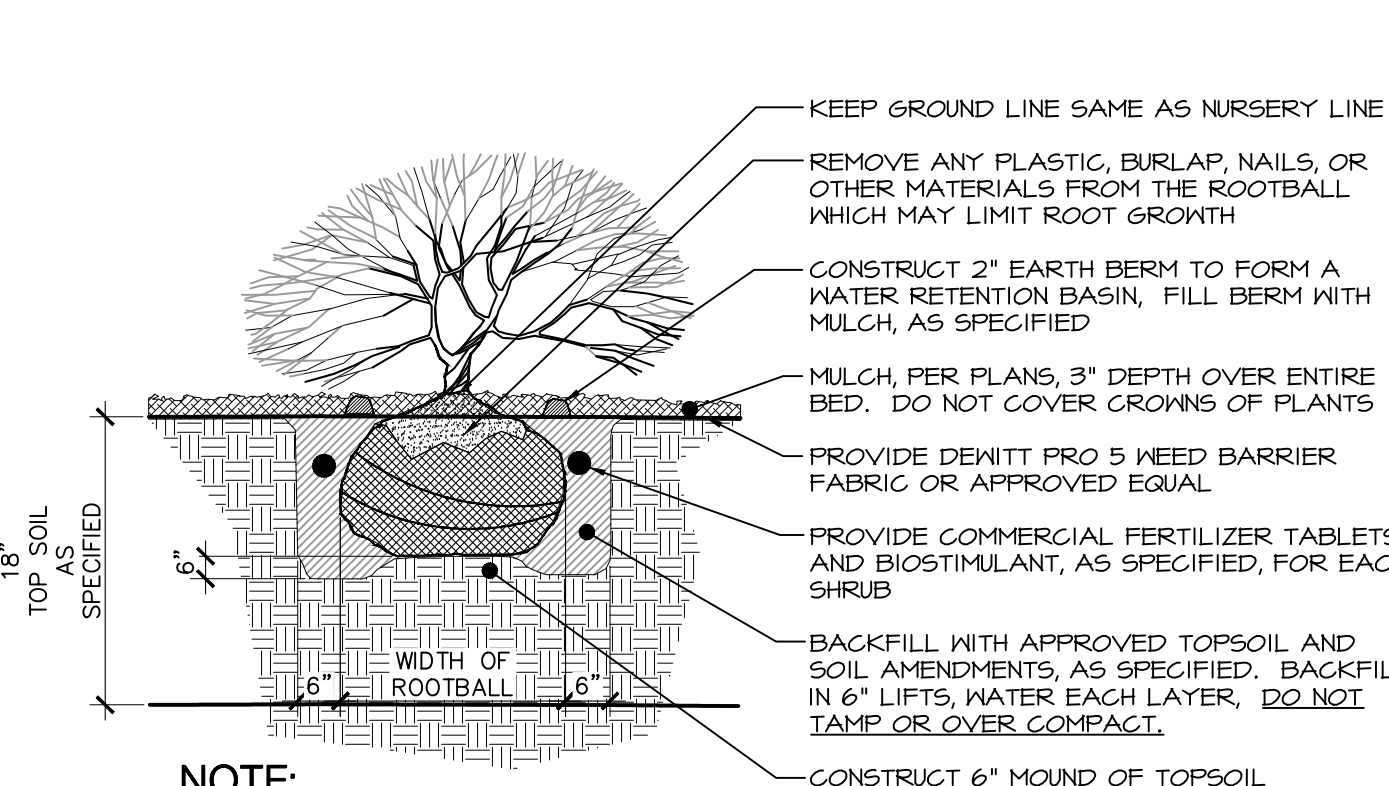
- ALL AREAS TO BE PLANTED OR HYDROSEEDING SHALL HAVE WEED ABATEMENT OPERATIONS PERFORMED ON THEM PRIOR TO PLANTING OR HYDROSEEDING.
- CONTRACTOR SHALL SPRAY ALL EXPOSED WEEDS WITH GROUND-UP (CONTACT HERBICIDE) OR APPROVED EQUAL.
- DO NOT WATER FOR AT LEAST SEVEN (7) DAYS. REMOVE EXPOSED WEEDS FROM THE SITE.
- CONTRACTOR SHALL OPERATE THE AUTOMATIC IRRIGATION SYSTEM FOR A PERIOD OF FOURTEEN (14) DAYS. AT CONCLUSION OF THIS WATERING PERIOD, DISCONTINUE WATERING FOR THREE TO FIVE (3-5) DAYS.
- APPLY SECOND APPLICATION OF GROUND-UP TO ALL EXPOSED WEEDS. APPLY IN STRICT CONFORMANCE WITH MANUFACTURER'S SPECIFICATIONS AND INSTRUCTIONS. DO NOT WATER FOR AT LEAST SEVEN (7) DAYS. REMOVE WEEDS FROM THE SITE.
- IF ANY EVIDENCE OF WEED GERMINATION EXISTS AFTER TWO (2) APPLICATIONS, CONTRACTOR SHALL BE DIRECTED TO PERFORM A THIRD APPLICATION.
- AT THE TIME OF PLANTING AND HYDROSEEDING, ALL PLANTING AREAS SHALL BE WEED FREE.



NOTES:

- THE STAKING OF TREES IS TO BE THE CONTRACTOR'S OPTION; HOWEVER, THE CONTRACTOR IS RESPONSIBLE TO INSURE THAT ALL TREES ARE PLANTED STRAIGHT AND THAT THEY REMAIN STRAIGHT FOR LENGTH OF WARRANTY PERIOD OR 1 YEAR AFTER SUBSTANTIAL COMPLETION WHICHEVER IS GREATER. ALL STAKING SHALL BE REMOVED AT THE END OF THE WARRANTY PERIOD.
- IN THE EVENT OF A QUESTION OR LACK OF CLARITY ON THE DRAWINGS, THE CONTRACTOR IS TO NOTIFY THE LANDSCAPE ARCHITECT BEFORE PROCEEDING.
- LANDSCAPE CONTRACTOR IS TO NOTIFY THE LANDSCAPE ARCHITECT AND OWNER PRIOR TO INSTALLATION OF PLANT MATERIAL.
- WRAP RUBBER CING TIES AROUND THE TREE TRUNKS AND STAKES USING EITHER THE STANDARD OR FIGURE EIGHT TYING METHOD. SECURE THE TIES TO THE STAKES WITH GALVANIZED NAILS TO PREVENT SLIPPAGE.
- WATER TREE TWICE WITHIN THE FIRST 24 HOURS.
- IN THE EVENT THAT HARDPAN SOILS PREVENT TREE PLANTING AS DETAILED, NOTIFY THE LANDSCAPE ARCHITECT IMMEDIATELY.
- FOR TREES LOCATED WITHIN ROADSIDE PLANTERS LESS THAN 8'-0" IN WIDTH, PROVIDE 24" TREE ROOT BARRIER (DEEPROOT #24-2 OR APPROVED EQUAL). LOCATE ROOT BARRIER AT BACK OF CURB AND EDGE OF SIDEWALK. INSTALL PER MANUFACTURER'S RECOMMENDATIONS. ALL TREE INSTALLATIONS SHALL CONFORM TO ALL AGENCY APPROVAL REQUIREMENTS, CONTRACTOR SHALL VERIFY PRIOR TO ANY INSTALLATIONS.

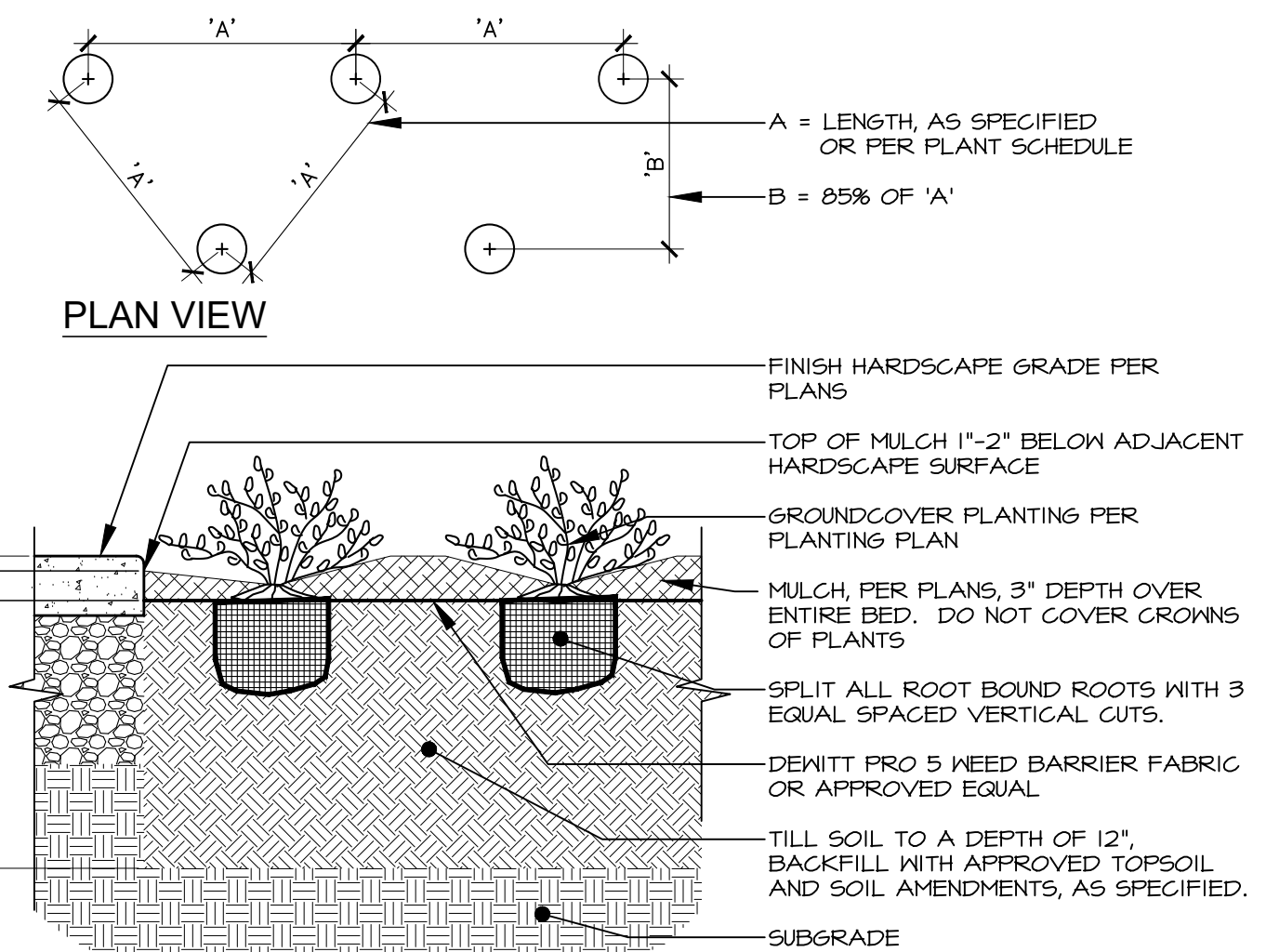
1 DECIDUOUS TREE BOX PLANTING



NOTE:

- WATER SHRUB TWICE WITHIN FIRST 24 HOURS.
- APPLY SPECIFIED PRE-EMERGENT PER MANUFACTURER'S RECOMMENDATIONS TO ALL GROUNDCOVER BEDS.

2 SHRUB PLANTING



NOTES:

- ALL GROUNDCOVER PLANTS TO BE PLANTED ON CENTER AND IN A TRIANGULAR PATTERN.
- APPLY SPECIFIED PRE-EMERGENT PER MANUFACTURER'S RECOMMENDATIONS TO ALL GROUNDCOVER BEDS.

3 PERENNIAL & GROUNDCOVER PLANTING

Scale: 1" = 1'-0"



TIMOTHY M. GUILLOT
ARCHITECT
1736 East Sunshine, Suite 417
Springfield, Missouri 65804
e-mail: architect@estertyschneider.com
417.862.0558
417.862.3265
Fax: 417.862.3265

PROJECT:
NEW O'REILLY AUTO PARTS STORE
STROH RD
PARKER, CO #2
LANDSCAPE DETAILS

O'Reilly AUTO PARTS
CORPORATE OFFICES
233 SOUTH PATTERSON
STYLINGFIELD, MISSOURI 65802
(417) 862-2674 TELEPHONE

COMM # 4884
DATE: 2-14-2025
REVISION
DATE:

IRRIGATION NOTES

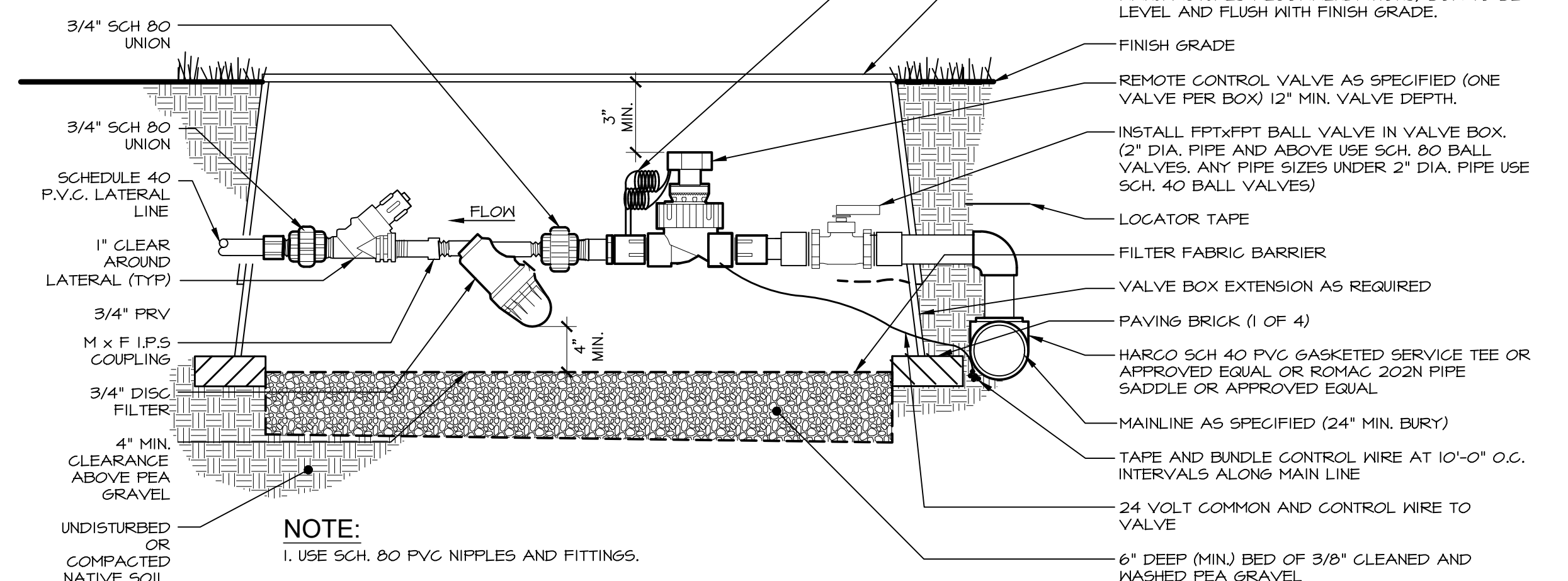
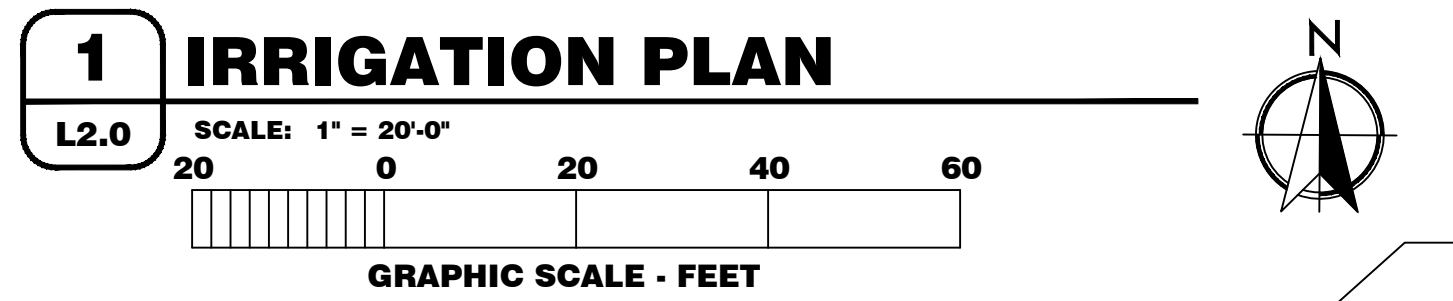
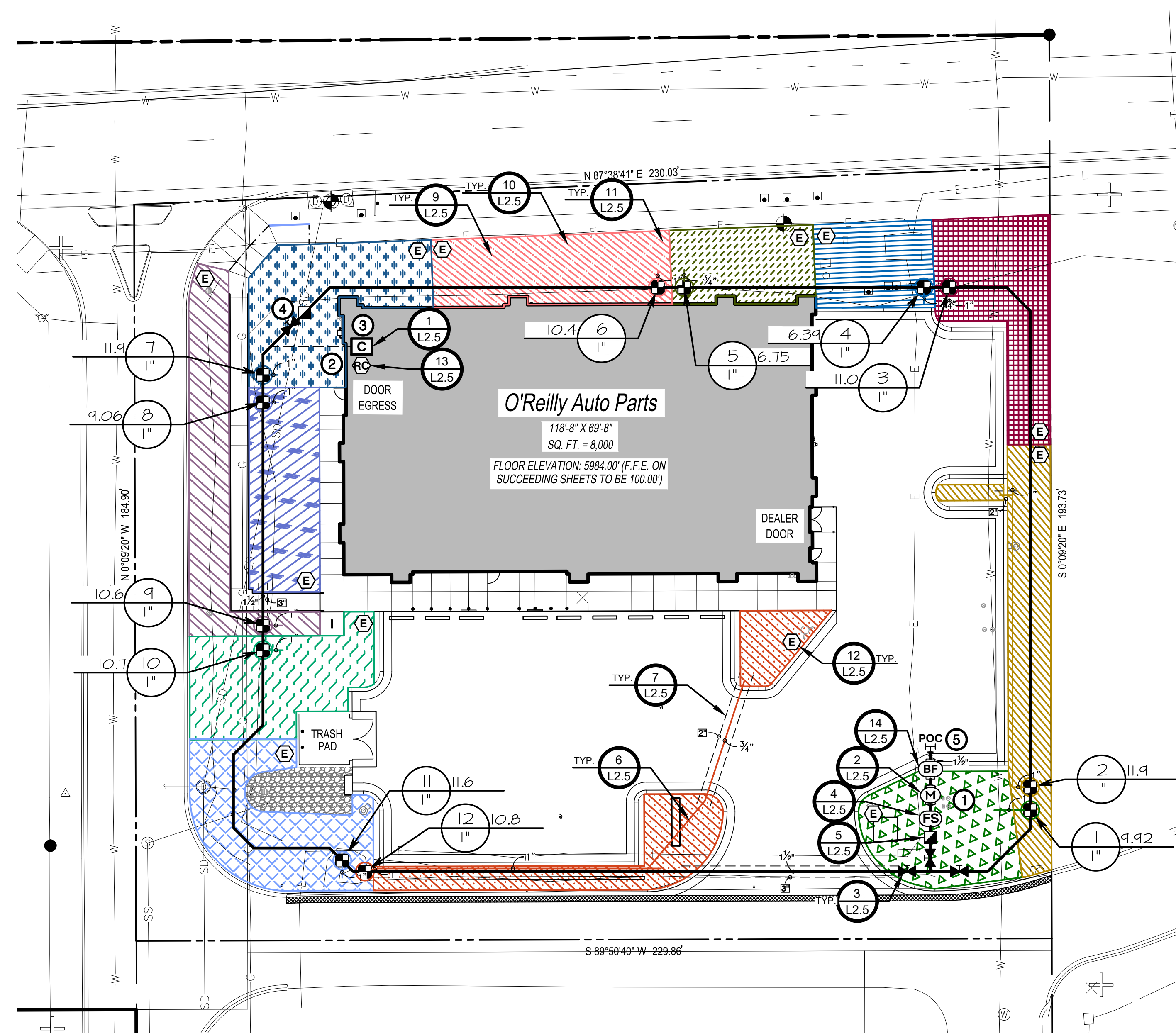
- SYSTEM DESIGN BASED ON THE ASSUMPTION OF THE AVAILABILITY OF 14 G.P.M. WITH 65 P.S.I. AT THE SOURCE AND 45 P.S.I. AT THE HEADS.
- ALL LATERAL LINES THAT ARE NOT LABELED SHALL BE 3/4" DIAMETER.
- CONTRACTOR TO VERIFY LOCATION OF ALL UTILITIES PRIOR TO INITIATION OF ANY DEMOLITION OR CONSTRUCTION OPERATIONS. ANY DAMAGE TO EXISTING UTILITIES SHALL BE CONTRACTOR'S RESPONSIBILITY.
- COORDINATE ALL IRRIGATION INSTALLATION OPERATIONS WITH CIVIL, MECHANICAL, AND ELECTRICAL ENGINEERING SHEETS.
- CONTRACTOR SHALL COORDINATE INSTALLATION OF IRRIGATION CONDUIT AND SLEEVES UNDER HARD SURFACES WITH RESPECTIVE CONTRACTORS.
- ALL SLEEVES SHALL BE INSTALLED AS PART OF IRRIGATION CONTRACT. APPROXIMATE LOCATION OF SLEEVES ARE SHOWN ON THE IRRIGATION PLAN. FIELD VERIFY LOCATION. ALL ENDS OF SLEEVES SHALL BE TAPERED OR CAPPED AND MARKED WITH A 2" X 4" PAINTED STAKE EXTENDING TO 24" ABOVE GRADE. STAKES SHALL NOT BE REMOVED UNTIL THE IRRIGATION SYSTEM IS COMPLETE. ALL SLEEVES SHALL EXTEND A MINIMUM OF 18" BEYOND BACK OF CURB OR EDGE OF PAVEMENT. PROVIDE COMPACTED BACKFILL AS NECESSARY AT HARD SURFACE LOCATIONS.
- CONTRACTOR SHALL OBTAIN AND PAY FOR ALL PERMITS AND FEES REQUIRED FOR THIS WORK.
- IRRIGATION CONTROLLER(S) ARE TO BE LOCATED AS SHOWN ON THE PLAN. CONTROLLERS SHALL BE WIRED TO POWER SUPPLY BY A LICENSED ELECTRICIAN PER LOCAL CODES. IRRIGATION CONTRACTOR TO PROVIDE ALL REQUIRED CONNECTIONS TO 24 VOLT IRRIGATION CONTROL WIRE INSIDE THE BUILDING THROUGH APPROPRIATE SIZED CONDUIT.
- ALL HEADS ARE TO BE 4" POP-UP IN LAWN AREAS. IRRIGATED AREAS CONTAINING VEGETATION WHICH POTENTIALLY MAY IMPEDE PERFORMANCE OF A 4" POP-UP SPRINKLER ARE TO BE REPLACED WITH A 12" HIGH POP-UP SPRINKLER. ALL ELECTRICAL WORK TO MEET OR EXCEED N.E.C., STATE CODES, LOCAL CODES, AND MANUFACTURER'S RECOMMENDATIONS.
- CONTRACTOR SHALL REMOVE AND DISPOSE OF ALL ROCK AND DEBRIS BROUGHT TO THE SURFACE AS A RESULT OF TRENCHING OPERATIONS.
- CONTRACTOR SHALL REFER TO SPECIFICATIONS AND DETAIL DRAWINGS FOR ADDITIONAL REQUIREMENTS.
- ALL 24 VOLT POWER WIRES SHALL BE #14 AWG SOLID COPPER. ALL ABOVE GROUND 120 VOLT AND 24 VOLT WIRE SHALL BE IN PVC CONDUIT. ALL 24 VOLT CONTROL WIRES SHALL BE LOCATED IN A 3/4" CONDUIT.
- INSTALLATION SHALL COMPLY WITH ALL NATIONAL, STATE, AND LOCAL LAWS AND ORDINANCES.
- IRRIGATION CONTRACTOR SHALL PROVIDE A COMPLETE AS-BUILT DRAWING IN PDF FORMAT UPON COMPLETION OF INSTALLATION AND PRIOR TO FINAL PAYMENT.
- THE ENTIRE SYSTEM SHALL BE GUARANTEED TO BE COMPLETE AND PERFECT IN EVERY DETAIL FOR A PERIOD OF ONE YEAR FROM THE DATE OF ITS ACCEPTANCE. REPAIRS OR REPLACEMENT OF ANY DEFECTS OCCURRING WITHIN THAT ONE YEAR SHALL BE FREE OF EXPENSE TO THE OWNER.
- AS PART OF THIS CONTRACT, PERFORM AT NO EXTRA COST WINTERIZATION AND SPRING START UP OF THE SYSTEM DURING THE GUARANTEE PERIOD (1 YEAR).
- ALL MATERIALS SHALL BE NEW AND WITHOUT FLAWS OR DEFECTS OF THE QUALITY AND PERFORMANCE SPECIFIED, AND SHALL MEET THE REQUIREMENTS OF THIS SYSTEM. USE MATERIALS AS SPECIFIED, NO SUBSTITUTIONS SHALL BE PERMITTED WITHOUT PRIOR WRITTEN PERMISSION OF THE OWNER OR DESIGN PROFESSIONAL.
- IRRIGATION CONTRACTOR SHALL MAKE NECESSARY MINOR FIELD ADJUSTMENTS TO SPRINKLER NOZZLES, SPRINKLERS, PIPE, AND OTHER IRRIGATION EQUIPMENT LOCATIONS TO FIT SITE. ADJUST HEAD AND PIPE LOCATIONS AS REQUIRED TO AVOID DAMAGING EXISTING TREE ROOTS. ADJUSTMENTS SHALL ENSURE HEAD TO HEAD COVERAGE AND NOT OVER SPRAY THE BUILDING OR OTHER IMPROVEMENTS.
- IRRIGATION PIPING LAYOUT IS SCHEMATIC. WHERE LINES ARE SHOWN BELOW PAVEMENT ADJACENT TO LANDSCAPE AREAS, THEY SHALL BE LOCATED IN THE LANDSCAPE AREA UNLESS SHOWN WITH A SLEEVE SYMBOL.
- BASE PLAN AND LOCATION OF EXISTING EQUIPMENT ARE SCHEMATIC IN NATURE. FIELD VERIFY ALL BASE AND EXISTING IRRIGATION ELEMENTS AND CONDITIONS PRIOR TO CONSTRUCTION AND PROVIDE NECESSARY ADJUSTMENTS.
- IRRIGATION CONTRACTOR SHALL USE THE MANUFACTURER'S APPROVED PRESSURE REGULATING MODULE AS SPECIFIED TO ADJUST ZONE OPERATING PRESSURES TO AN AVERAGE OF 30 P.S.I. IN SPRAY ZONES AND 45 P.S.I. IN ROTOR ZONES.
- ALL MAIN LINE FITTINGS SHALL BE SCHEDULE 40 SOLVENT WELD TYPE UNLESS NOTED FOR LATERAL SERVICE.
- IN THE EVENT OF A DISCREPANCY, IMMEDIATELY NOTIFY THE DESIGN PROFESSIONAL.
- CONTRACTOR SHALL BE RESPONSIBLE TO PROVIDE CERTIFICATE OF COMPLETION IRRIGATION SCHEDULING, LANDSCAPE AND IRRIGATION MAINTENANCE SCHEDULES, IRRIGATION AUDIT, IRRIGATION SURVEY, AND IRRIGATION WATER USE ANALYSIS.

DRIP IRRIGATION NOTES

- ALL PLANTER BEDS SHALL BE IRRIGATED WITH AN INLINE EMITTER DRIP LINE IRRIGATION SYSTEM, HUNTER HDL OR APPROVED EQUAL. ALL TREES IN THE NOTED AREA ARE TO BE IRRIGATED AS PER DETAIL 10/L2.5. THE CONTRACTOR IS RESPONSIBLE TO INSTALL THE DRIP SYSTEM AS PER MANUFACTURER'S RECOMMENDATIONS AND FOLLOWING REQUIREMENTS:
 - AN INLINE EMITTER DRIP LINE TUBING SHALL BE USED. THE EMITTER SPACING SHALL BE TWELVE INCHES (12") AND THE EMITTER FLOWS ARE TO BE 6 G.P.H. LATERALS SHALL BE SPACED AT TWELVE INCHES (12").
 - A MANUAL BASKET FILTER SHALL BE INSTALLED ON EACH ZONE SEE LEGEND FOR MODEL NUMBER. THE FILTER SHALL BE INSTALLED IN CONJUNCTION WITH AN ELECTRIC REMOTE CONTROL VALVE AS SPECIFIED (SIZE AS NOTED ON SCHEDULE). THE FILTER SHALL INCLUDE A 200 MESH STAINLESS STEEL SCREEN.
 - ALL ZONES SHALL BE INSTALLED WITH A MANUAL LINE FLUSHING VALVE. INSTALL WITH COLLAR. SEE DETAIL 2/L2.0.
 - ALL TUBING SHALL BE STAKED DOWN WITH T1.56 SIX INCH (6") SOIL STAPLES EVERY 3'-5' PLUS TWO ON EACH TEE, ELBOW OR CROSS.
- THE CONTRACTOR IS RESPONSIBLE TO SCHEDULE A MEETING WITH THE DESIGN PROFESSIONAL AND THE OWNER'S REPRESENTATIVE BEFORE PROCEEDING WITH ANY IRRIGATION INSTALLATION IN ORDER TO REVIEW WORK TO BE DONE. NO CHANGES IN MATERIAL SPECIFIED OR TO THE DESIGN OF THE SYSTEM SHALL BE ALLOWED WITHOUT PRIOR APPROVAL OF THE DESIGN PROFESSIONAL.
- ALL PVC LATERAL LINES FROM VALVES TO HEADERS ARE TO BE BURIED AT MINIMUM DEPTH OF TWELVE INCHES (12"). SIZE AS NECESSARY. (SEE PIPE SIZING NOTES ON THIS SHEET)
- AFTER INSTALLATION OF THE IRRIGATION SYSTEM THE CONTRACTOR IS RESPONSIBLE TO PROVIDE THE OWNER WITH AS-BUILT DRAWINGS AND INSTRUCTIONS FOR MAINTENANCE OF THE DRIP SYSTEM. PROVIDE DRIP LINE TO ENSURE EACH SHRUB AND TREE RECEIVES ADEQUATE IRRIGATION SO THAT THE OPTIMUM AMOUNT OF WATER IS APPLIED TO ENSURE THE HEALTH OF ALL PLANT MATERIAL. BURY DRIP LINE AT 5" MIN. BELOW GRADE, SEE DETAIL 10/L2.5. LOCATE DRIP LINE TO OBTAIN COMPLETE COVERAGE OF PLANTER AREAS, SEE DETAIL 10/L2.5. REFER TO NOTES, SPECIFICATIONS, AND DETAILS FOR ADDITIONAL INFORMATION AND REQUIREMENTS.

SYSTEM OPERATIONAL NOTES

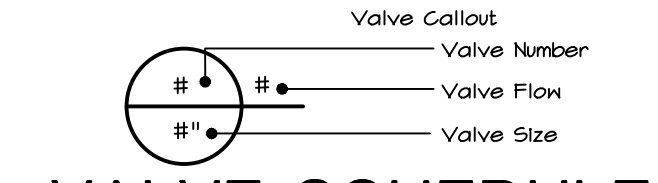
- SYSTEM OPERATION:**
(BASED ON HISTORICAL CLIMATE)
- CONTROLLER SETUP:**
A CYCLING TECHNIQUE WILL BE USED FOR APPLICATION OF WATER, EACH STATION RUN TIME WILL BE APPLIED WITH THREE (3) DIFFERENT START TIMES, THEREFORE STATION RUN TIMES REFLECT ONE THIRD (1/3) THE TOTAL APPLICATION. PEAK WATER APPLICATION WILL REQUIRE IRRIGATION EVERY NIGHT. SET CONTROLLERS FOR START TIME #1 AT 7:30P.M., START TIME #2 AT 12:00A.M., AND START TIME #3 AT 5:30A.M. EXTEND WATER WINDOW IF REQUIRED TO MEET PEAK WATER REQUIREMENTS.
- INITIAL STATION RUN TIMES:**
DRIP ZONES: SHRUBS - 10 MINUTE CYCLES. (6 CYCLES MINIMUM SPACED EVENLY THROUGHOUT WATER WINDOW AS NOTED ABOVE)
SPRAY ZONES: TURF - 5 MINUTE CYCLES.
- SYSTEM BALANCING:**
AS THE SYSTEM OPERATES, SOME ZONES WILL BE WET WHILE OTHERS ARE DRY. ADJUST ONLY THOSE STATIONS WHICH REQUIRE ADDITIONAL OR LESS WATER. FOR EXAMPLE, IF STATION T51, A 15' TURF SPRAY ZONE IS ALWAYS DRY, CHANGE THE STATION T51 RUN TIME FROM FIFTEEN (15) MINUTES TO SIXTEEN (16) MINUTES. CONTINUE MAKING ADJUSTMENTS UNTIL THE ZONE MOISTURE CONTENT IS ACCEPTABLE. USE NOZZLE CHANGES OR NOZZLE SCREEN ADJUSTMENTS TO ADJUST WET AND DRY AREAS WITHIN A ZONE.



1 REMOTE CONTROL VALVE WITH 3/4" FILTER NOT TO SCALE

IRRIGATION SCHEDULE

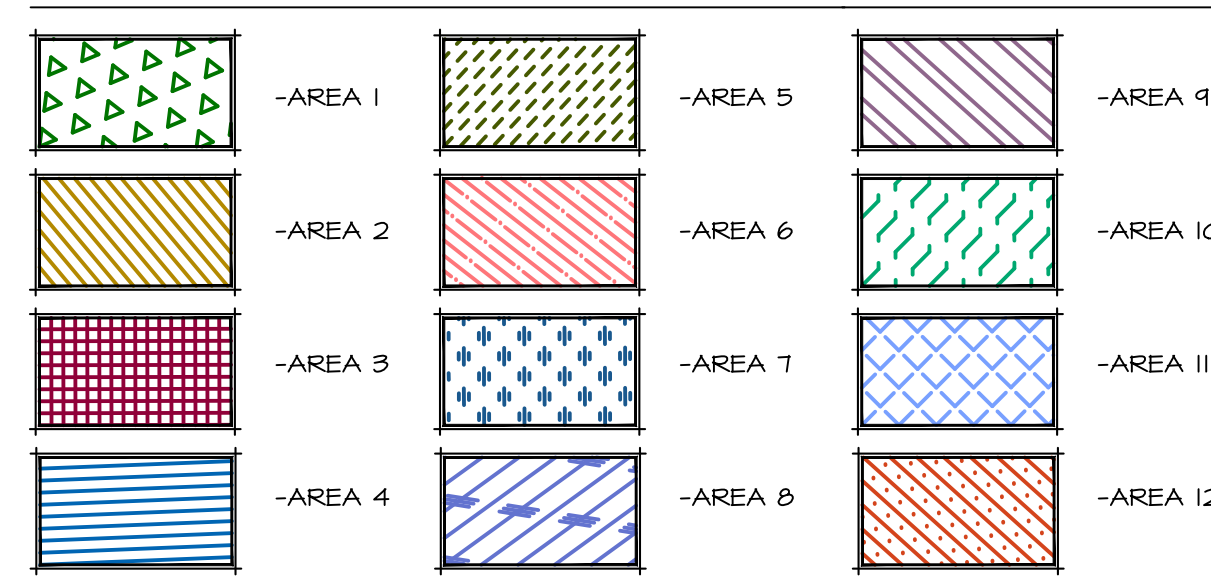
SYMBOL	MANUFACTURER/MODEL/DESCRIPTION
■	Hunter ICZ-101-25-LF Drip Control Zone Kit, In. 1CV Globe Valve with In. HY100 Filter system. Pressure Regulation 25psi, Flow Range: 5 GPM to 15 GPM. 150 mesh stainless steel screen. See Detail 1/L2.0
SEE DRIP MATERIAL LEGEND	Area to Receive Dripline Hunter HDL-06-12-CV HDL-06-12-CV; Hunter Dripline w/ 0.6 GPH emitters at 12" O.C. Check valve, dark brown tubing with gray striping. Dripline laterals spaced at 12" apart, with emitters offset for triangular pattern. Install with Hunter PLD barbed or PLD-LOC fittings. See Details 8-1/L2.5
■	Hunter HQ-5RC Quick coupler valve, yellow rubber cover, red brass and stainless steel, with In. NPT inlet, 1-piece body. See Detail 5/L2.5
■	Mueller Brass Valve or approved equal. Threaded. See Detail 3/L2.5
Ⓜ	Hunter ICV-6-FS Size to match mainline. Plastic Electric Master Valve, Globe Configuration, with NPT Threaded Inlet/Outlet, for commercial/municipal use. With Filter Sentry Factory Installed Option. See Detail 3/L2.5
Ⓛ	Zurn 350 Size to match mainline. Backflow Preventer w/ EZ5nap. See Detail 14/L2.5
Ⓢ	Hunter PHC-12001 NI-FI enabled, full-functioning controller with touchscreen, 12-Station fixed controller, 120 VAC, indoor model. See Detail 1/L2.5
Ⓡ	Hunter RAIN-CLIK Rain Sensor, with conduit installation, mount as noted. Normally closed switch. See Detail 13/L2.5
Ⓢ	Hunter HC-100-FLOW Size to match mainline. Flow meter for use with Hydralise and/or Solertron controller to monitor flow and provide system alerts. Also functions as stand alone flow totalizer/sub meter on any residential or commercial irrigation system. See Detail 4/L2.5
POC	Point of Connection 1/2"
—	Irrigation Lateral Line: PVC Schedule 40 Only lateral transition pipe sizes 1" and above are indicated on the plan, with all others being 3/4". See Detail 64/L2.5
—	1/2" Irrigation Mainline: PVC Schedule 40. See Detail 64/L2.5
---	Schedule 40 PVC for electrical control wires, size as indicated on plans. Coordinate with Electrical.
---	Pipe Sleeve: PVC Schedule 40.



VALVE SCHEDULE

NUMBER	MODEL	SIZE	TYPE	GPM
1	Hunter ICZ-101-25-LF-R	1"	Area for Dripline	9.92
2	Hunter ICZ-101-25-LF-R	1"	Area for Dripline	11.80
3	Hunter ICZ-101-25-LF-R	1"	Area for Dripline	10.96
4	Hunter ICZ-101-25-LF-R	1"	Area for Dripline	6.39
5	Hunter ICZ-101-25-LF-R	1"	Area for Dripline	6.15
6	Hunter ICZ-101-25-LF-R	1"	Area for Dripline	10.44
7	Hunter ICZ-101-25-LF-R	1"	Area for Dripline	11.85
8	Hunter ICZ-101-25-LF-R	1"	Area for Dripline	4.06
9	Hunter ICZ-101-25-LF-R	1"	Area for Dripline	10.64
10	Hunter ICZ-101-25-LF-R	1"	Area for Dripline	10.7
11	Hunter ICZ-101-25-LF-R	1"	Area for Dripline	11.61
12	Hunter ICZ-101-25-LF-R	1"	Area for Dripline	10.74

DRIP MATERIAL LEGEND



2 MANUAL LINE FLUSHING VALVE PLUMBED TO TUBING NOT TO SCALE



CALLOUT LEGEND

- CONNECT NEW 1/2" MAINLINE TO SERVICE IN THIS APPROXIMATE LOCATION (FIELD VERIFY). SEE CIVIL PLANS FOR ADDITIONAL INFORMATION.
- 2" WIRE SLEEVE. ROUTE TO CONTROLLER LOCATION PER LOCAL CODES AS REQUIRED.
- INDOOR WALL MOUNT IRRIGATION CONTROLLER IN THIS APPROXIMATE LOCATION AS REQUIRED. CONNECT 120 VOLT AS REQUIRED. ALL ABOVE GRADE WIRES SHALL BE LOCATED IN APPROPRIATELY SIZED CONDUIT (2" MINIMUM). IRRIGATION CONTRACTOR SHALL BE RESPONSIBLE TO COORDINATE WITH CERTIFIED ELECTRICAL CONTRACTOR FOR ALL ELECTRICAL CONNECTIONS. IRRIGATION CONTRACTOR SHALL ENSURE ALL CONTROLLER OPTIONS AND ZONES ARE FULLY OPERATIONAL AFTER TRENCHING HAS FINISHED. CONTROLLER LOCATION TO BE OWNER APPROVED. REVISE LOCATION AS REQUIRED FOR OWNER APPROVAL.
- EXTEND EXTRA WIRES TO THIS POINT. COIL APPROXIMATELY 24" LENGTH OF EXTRA WIRES IN SEPARATE VALVE BOX AT THIS LOCATION.
- IRRIGATION MATERIALS SHOWN IN HARDSCAPE IS FOR GRAPHIC CLARITY ONLY AND SHALL BE LOCATED IN ADJACENT LANDSCAPING.

PRESSURE ANALYSIS

FLOW AVAILABLE
Point of Connection Size: 1/2"
Flow Available: 46.54 GPM

PRESSURE AVAILABLE
Static Pressure at POC: 60 PSI
Pressure Available: 60 PSI

DESIGN ANALYSIS
Maximum Station Flow: 11.80 GPM
Flow Available at POC: 46.54 GPM
Residual Flow Available: 34.71 GPM

Critical Station: 2
Design Pressure: 25 PSI
Friction Loss: 2.85 PSI
Fittings Loss: 0.28 PSI
Elevation Loss: 0 PSI
Loss through Valve: 4.13 PSI
Pressure Req. at Critical Station: 31.3 PSI
Loss for Fittings: 0.28 PSI
Loss for Main Line: 0 PSI
Loss for POC to Valve Elevation: 0 PSI
Loss for Backflow: 4.14 PSI
Loss for Master Valve: 3 PSI
Critical Station Pressure at POC: 44.8 PSI
Pressure Available: 60 PSI
Residual Pressure Available: 15.2 PSI

PROJECT:
NEW O'REILLY AUTO PARTS STORE
STROH RD
PARKER, CO #2
IRRIGATION PLAN

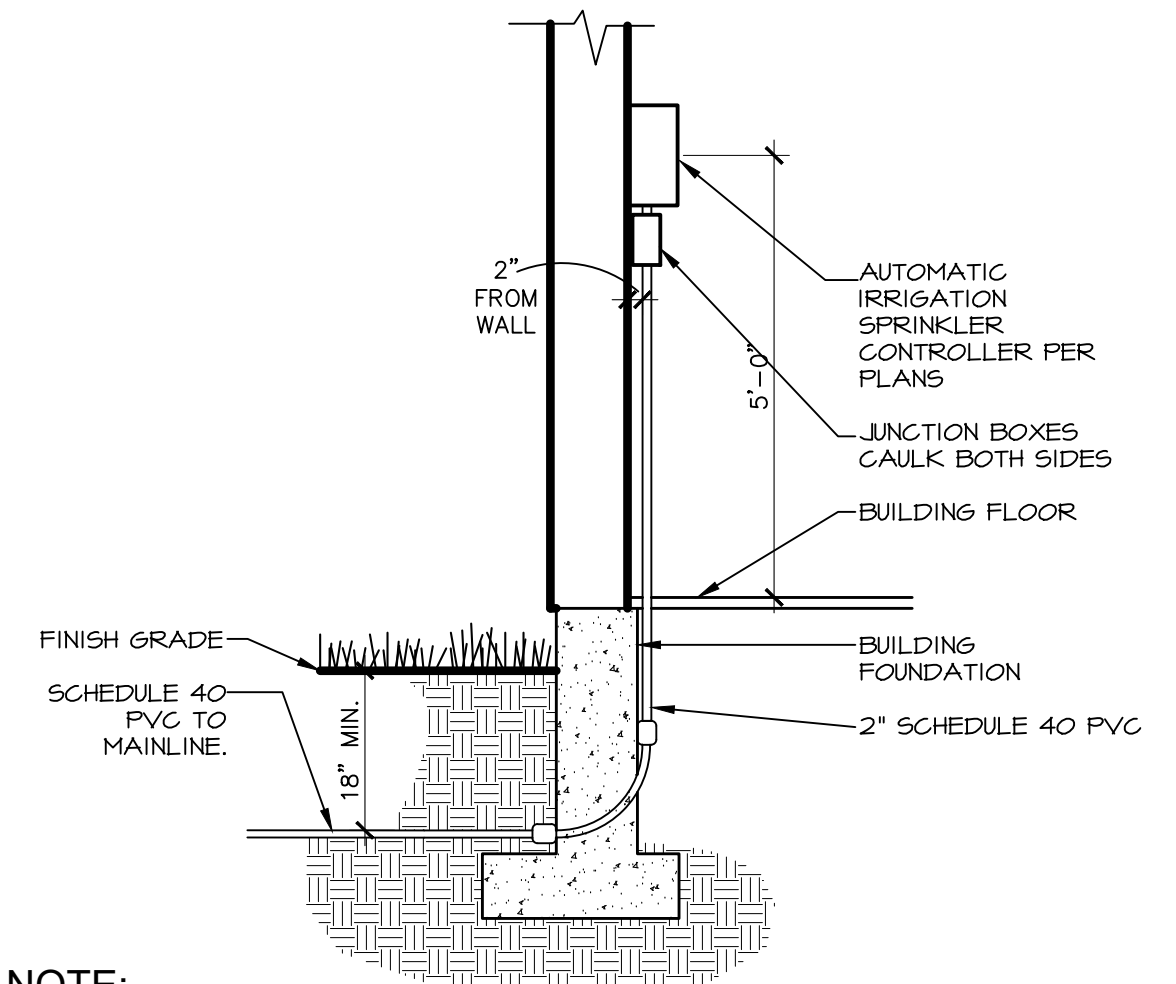
COMM # 4884
DATE: 2-14-2025

REVISION DATE:

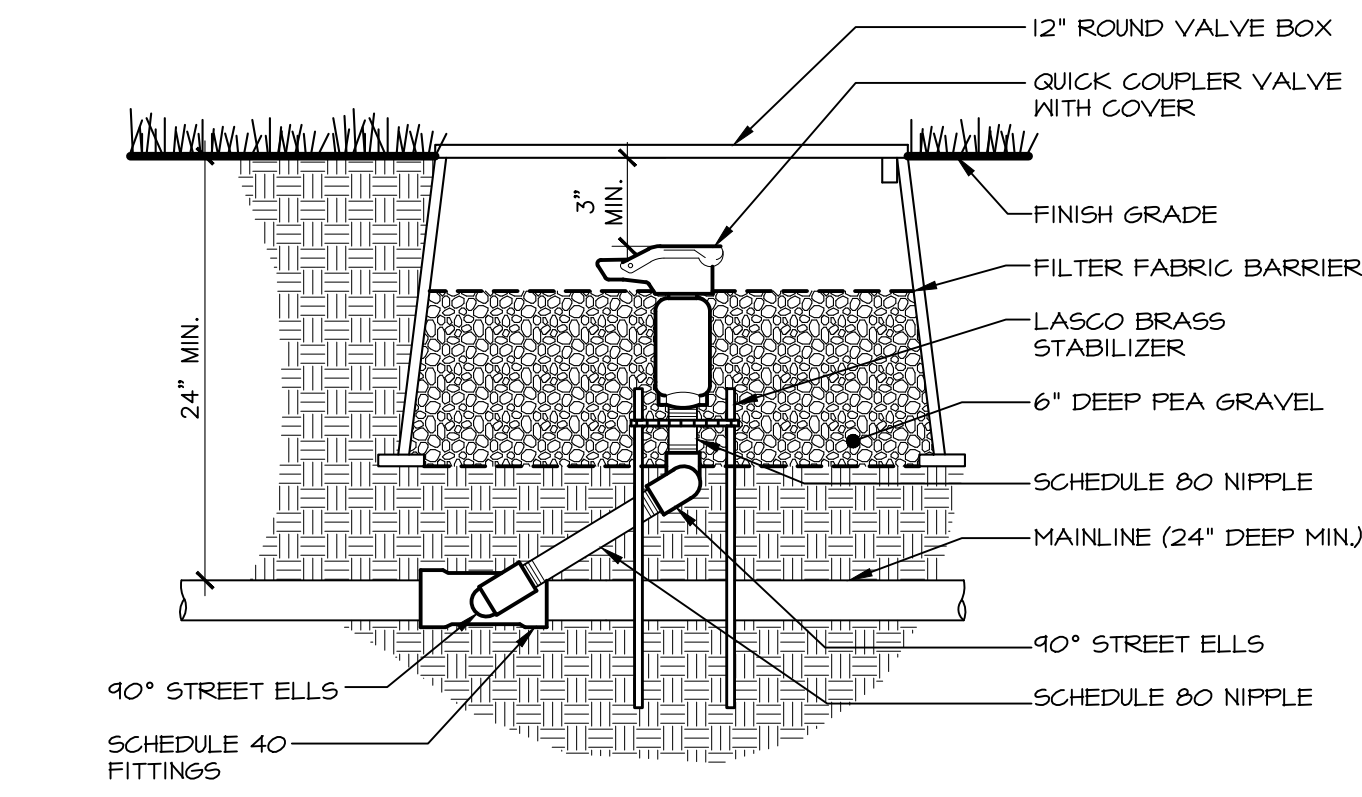
O'Reilly AUTO PARTS
CORPORATE OFFICES
235 SOUTH PATTERSON
STYLLING, MISSOURI 65602
(417) 982-2674 TELEPHONE

TIMOTHY M. GUILLOT ARCHITECT
1730 East Sunshine, Suite 417
Springfield, Missouri 65804
e-mail: architect@estertyschneider.com
417.862.0558
Fax: 417.862.3265

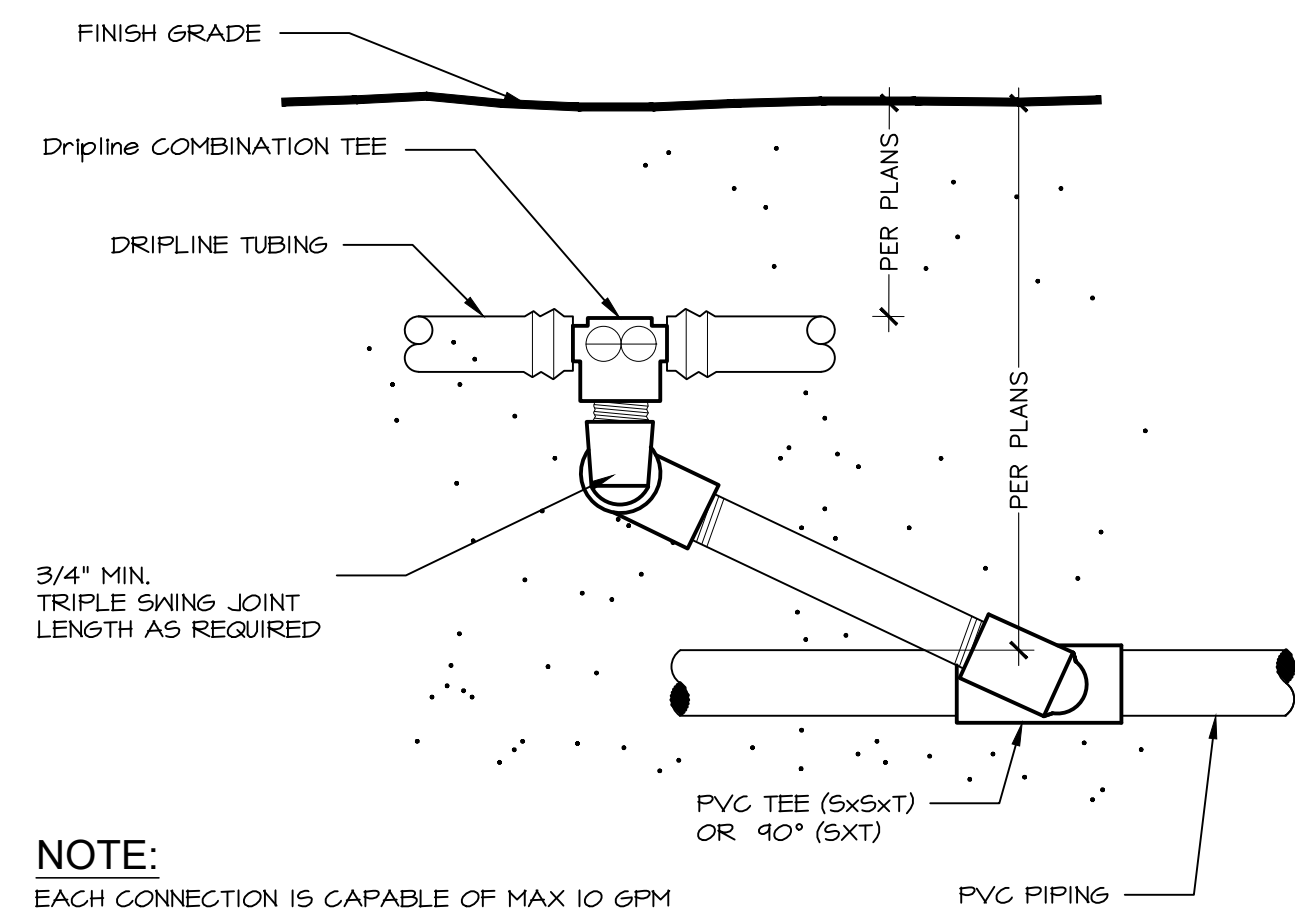
S:\projects\2025\25003 oreilly parker co\CAD\sheets\25003_IRRIGATION.dwg



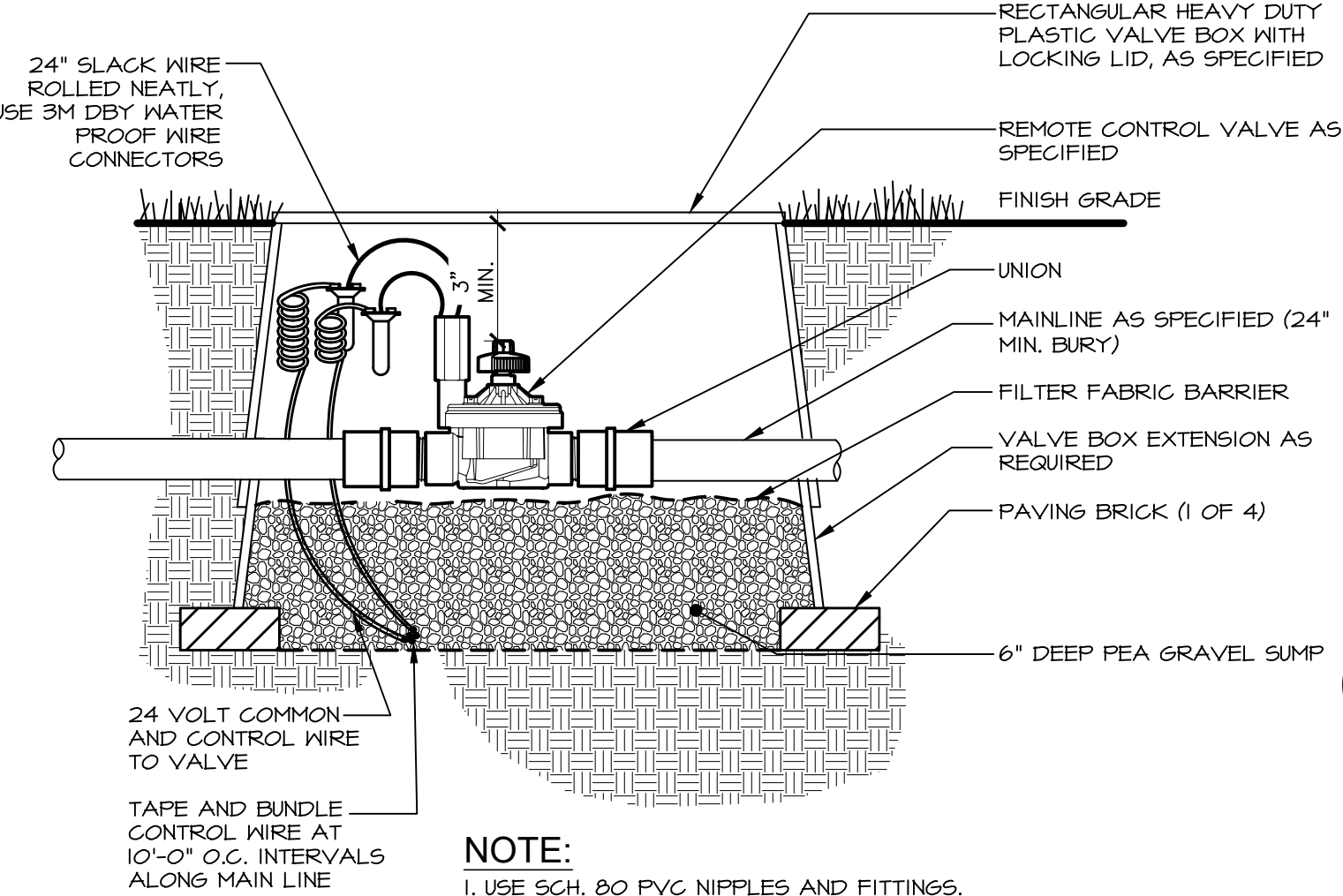
1 AUTOMATIC IRRIGATION CONTROLLER
NOTE:
1. COORDINATE CONDUIT INSTALLATION WITH ELECTRICAL AND FOUNDATION INSTALLATION.
NOT TO SCALE



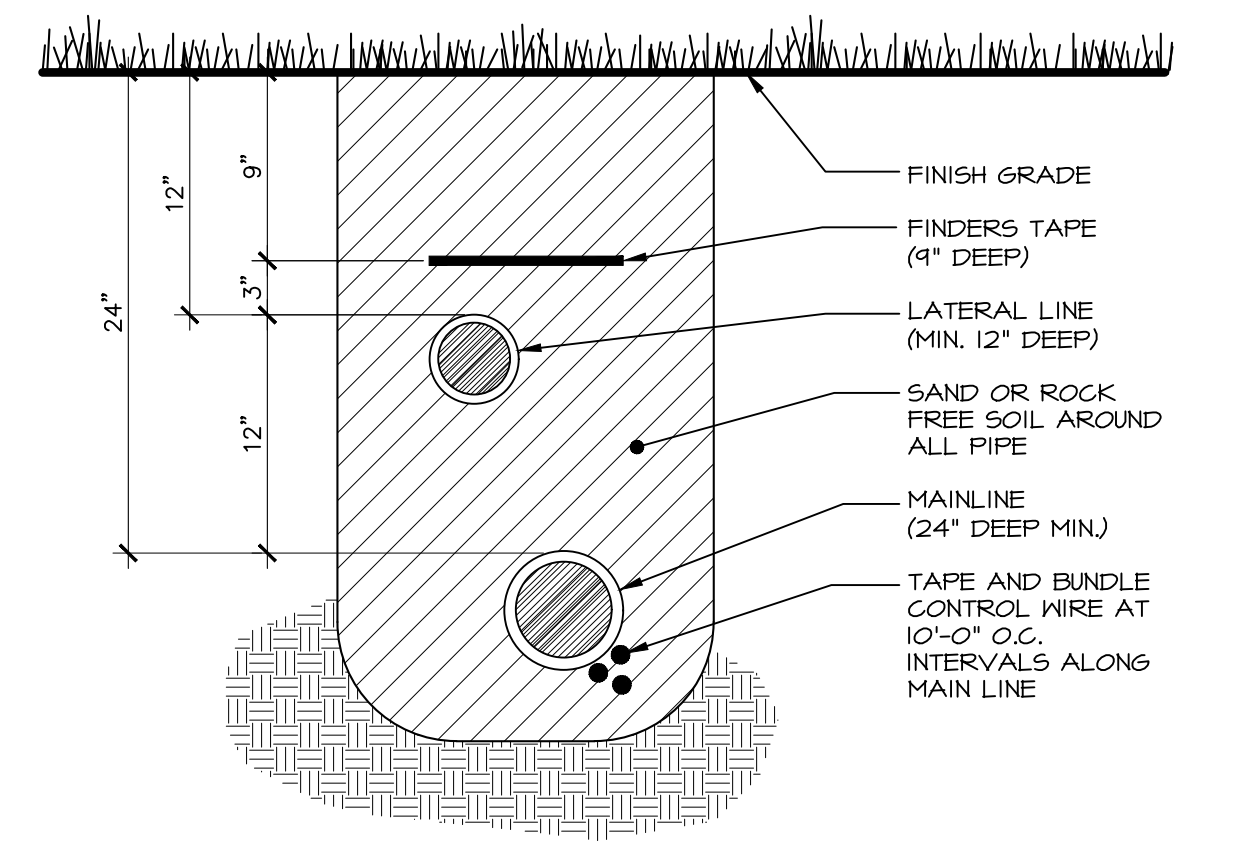
5 QUICK COUPLER VALVE
NOT TO SCALE



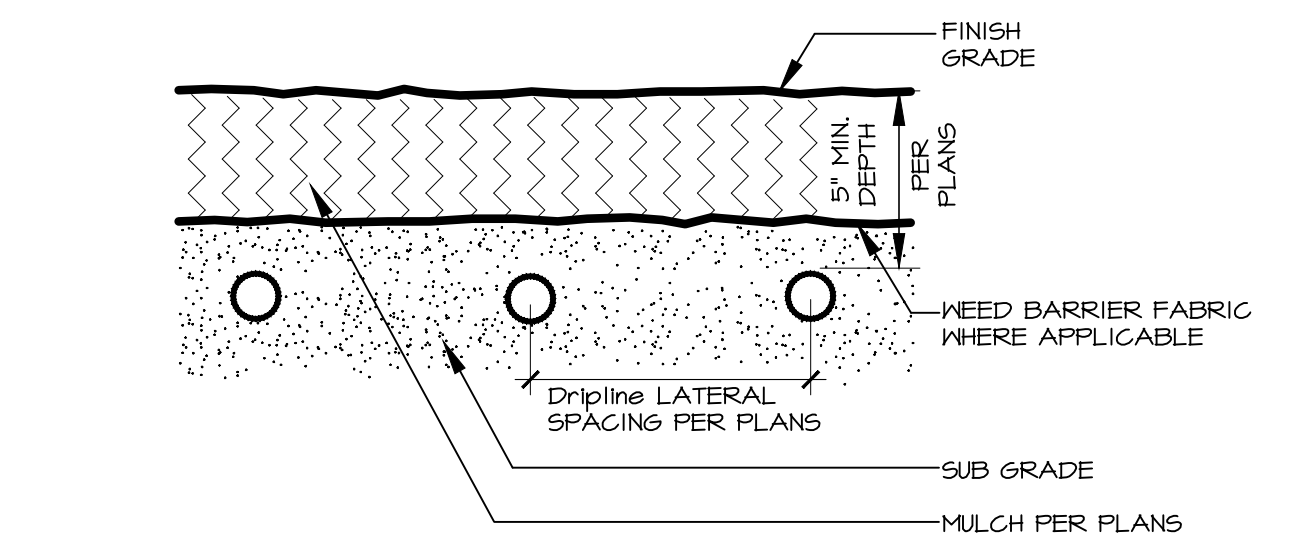
8 DRIPLINE START CONNECTION
NOTE:
EACH CONNECTION IS CAPABLE OF MAX 10 GPM
NOT TO SCALE



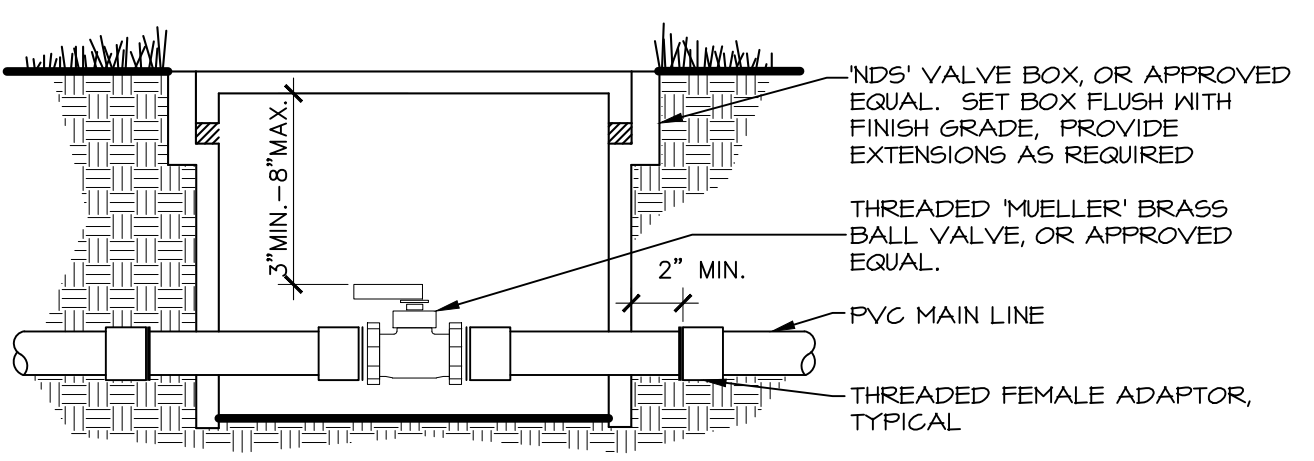
2 MASTER VALVE
NOTE:
1. USE SCH. 80 PVC NIPPLES AND FITTINGS.
NOT TO SCALE



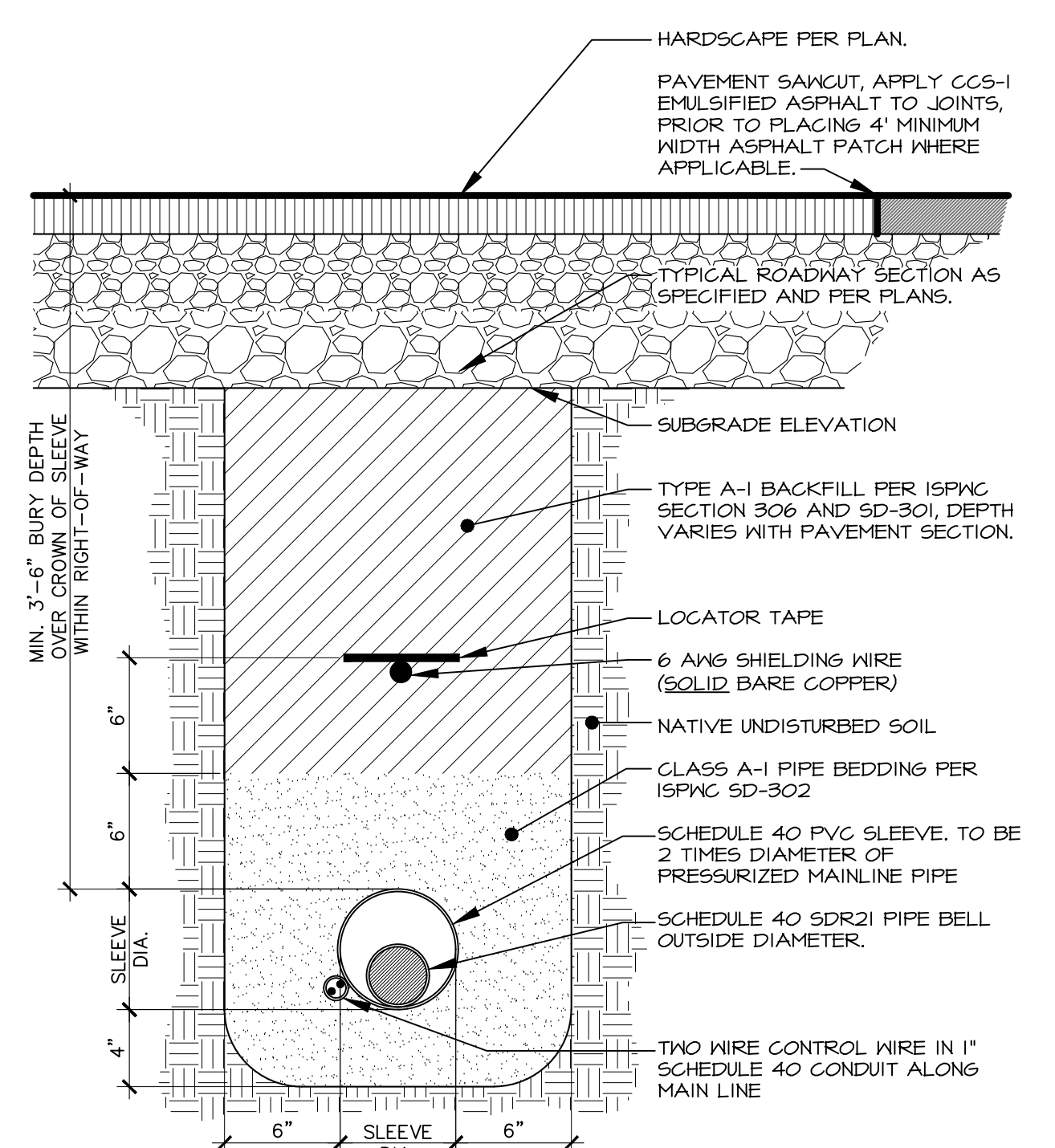
6 TRENCH SECTION
NOT TO SCALE



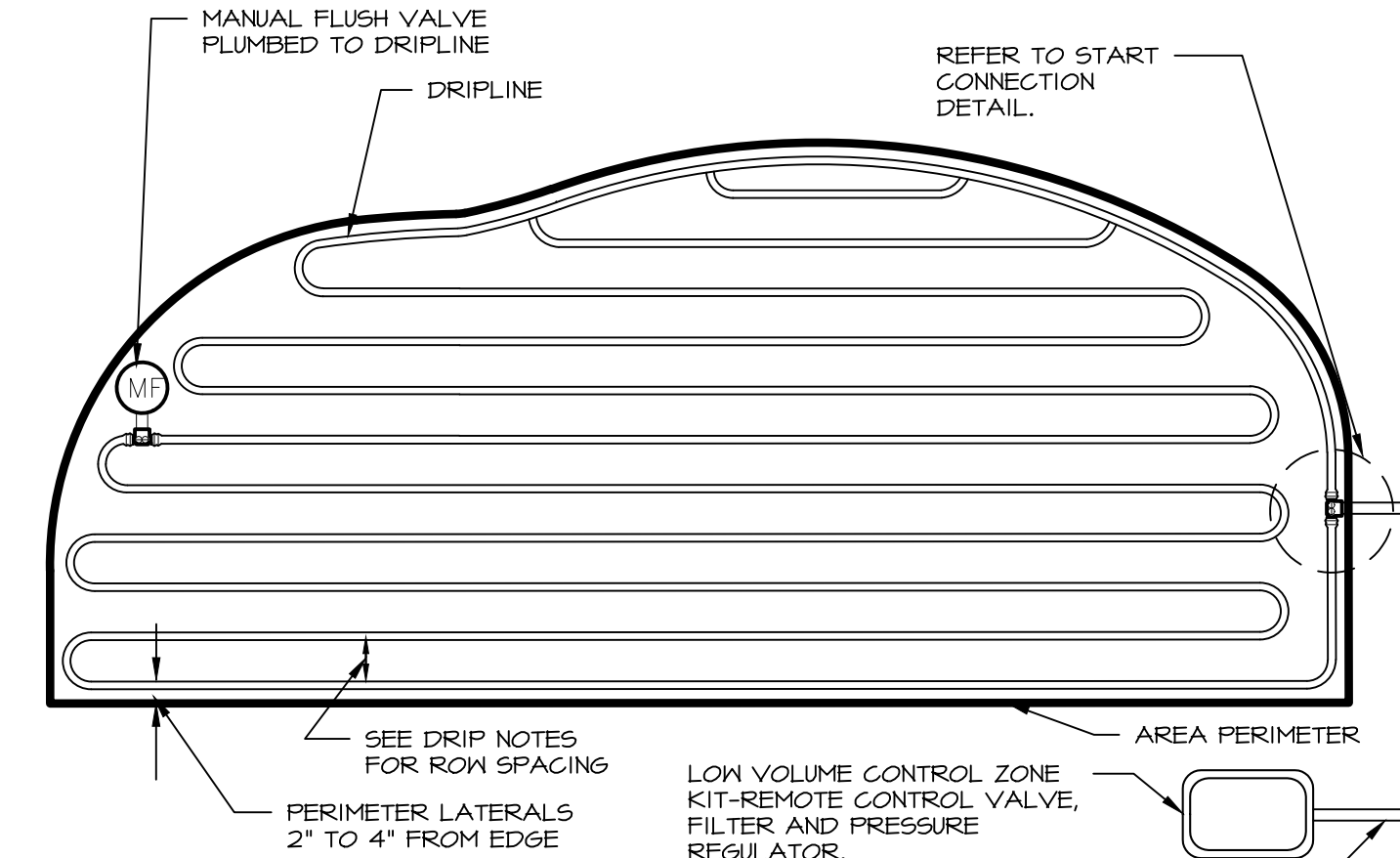
9 DRIPLINE SUBGRADE INSTALLATION
NOT TO SCALE



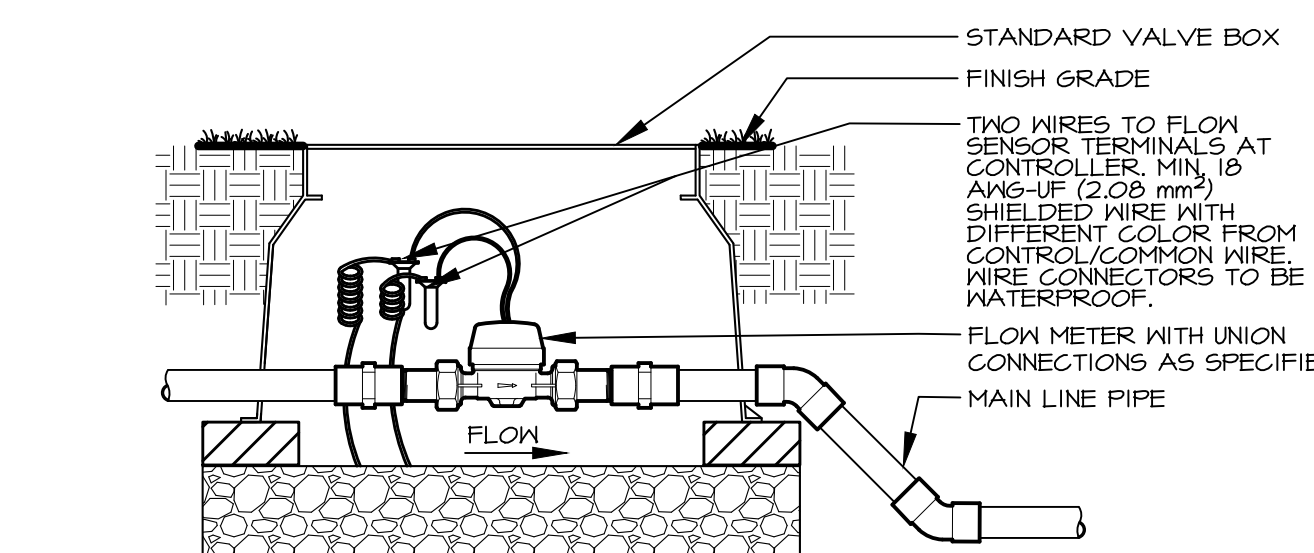
3 ISOLATION VALVE
NOT TO SCALE



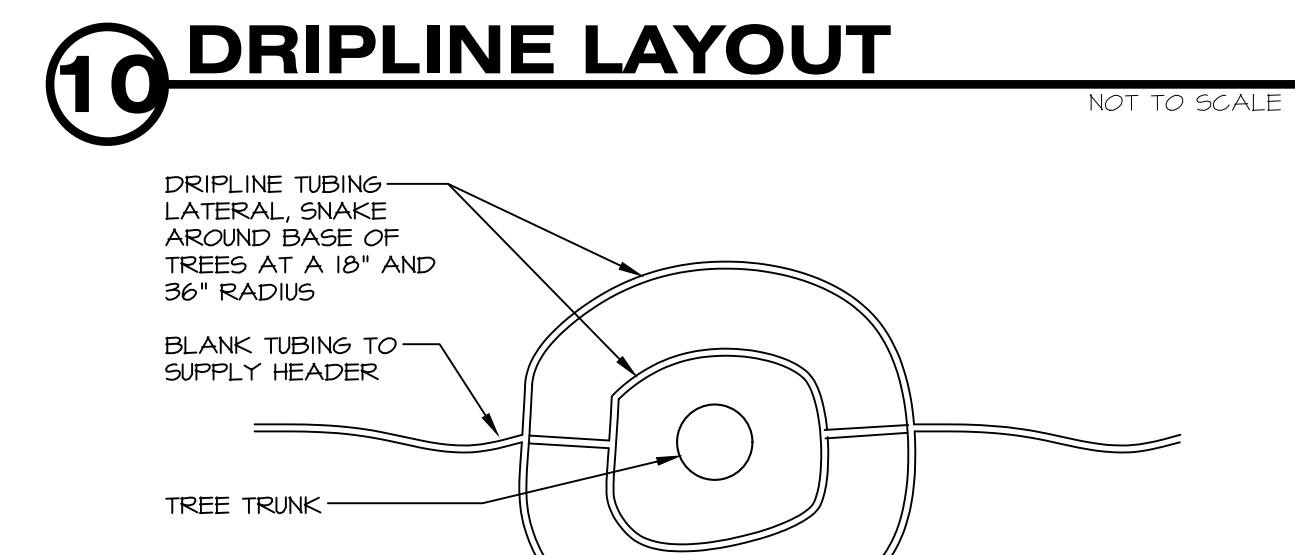
7 HARDSCAPE CROSSING TRENCH SECTION
NOTE:
1. COORDINATE WITH OTHER CONTRACTORS TO INSTALL SLEEVE, CONDUIT, FINDER TAPE AND LOCATING WIRE PRIOR TO INSTALLATION OF ROADWAY IF APPLICABLE.
2. ROAD CROSSING INSTALLATION REQUIREMENTS APPLY WITH THE FULL EXTENT OF THE RIGHT-OF-WAY.
3. IN CASE OF CONFLICTS WITH OTHER UTILITIES, IRRIGATION SLEEVE SHALL CROSS BELOW OTHER UTILITIES.
4. THE CONTRACTOR SHALL CONSTRUCT ALL ROAD CROSSINGS OF THE IRRIGATION PIPE AND POTABLE WATER PIPE IN ACCORDANCE WITH THE IDAHO RULES FOR PUBLIC DRINKING WATER SYSTEMS AND THE ISFNC 5D-407.
Scale: 1/12" = 1'-0"



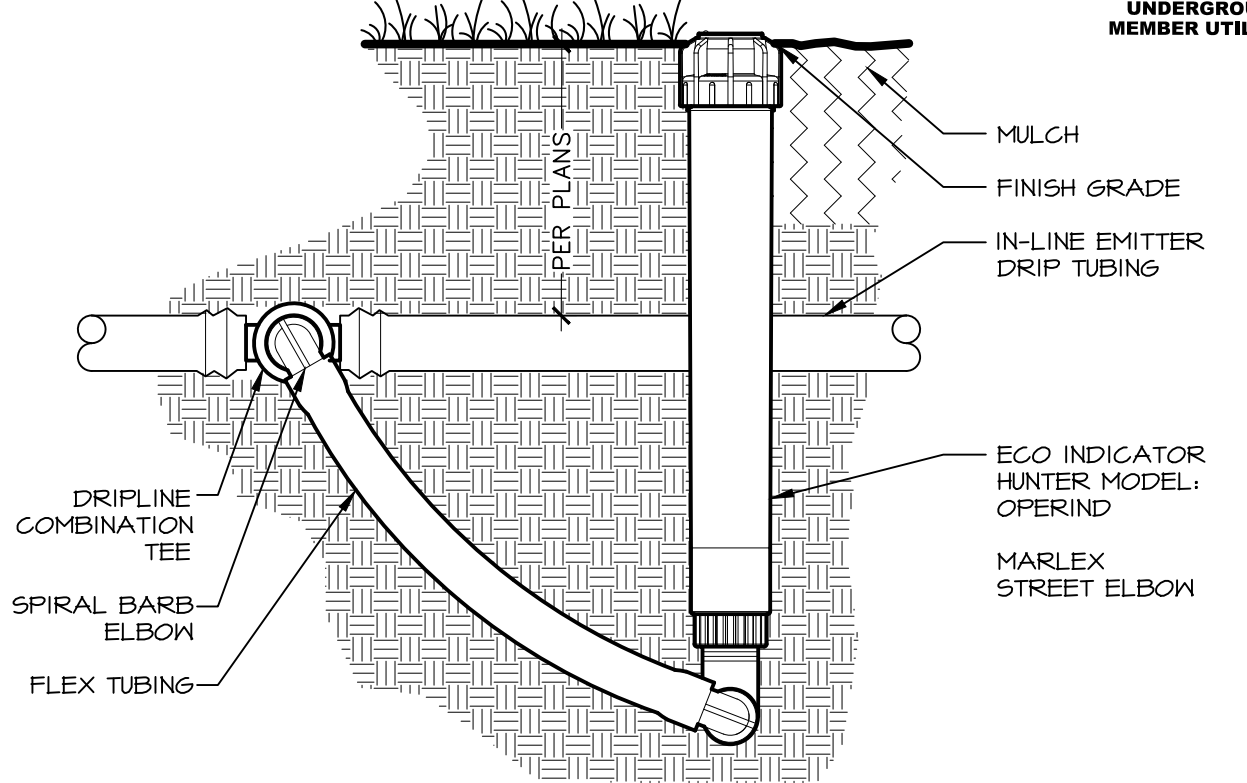
10 DRIPLINE LAYOUT
NOTE:
1. CENTER FEED LITE LAYOUTS ALLOW 2X MAX TUBING LENGTH OF STANDARD LAYOUTS.
2. PLACE SOIL STAPLE EVERY 3'-5\"/>



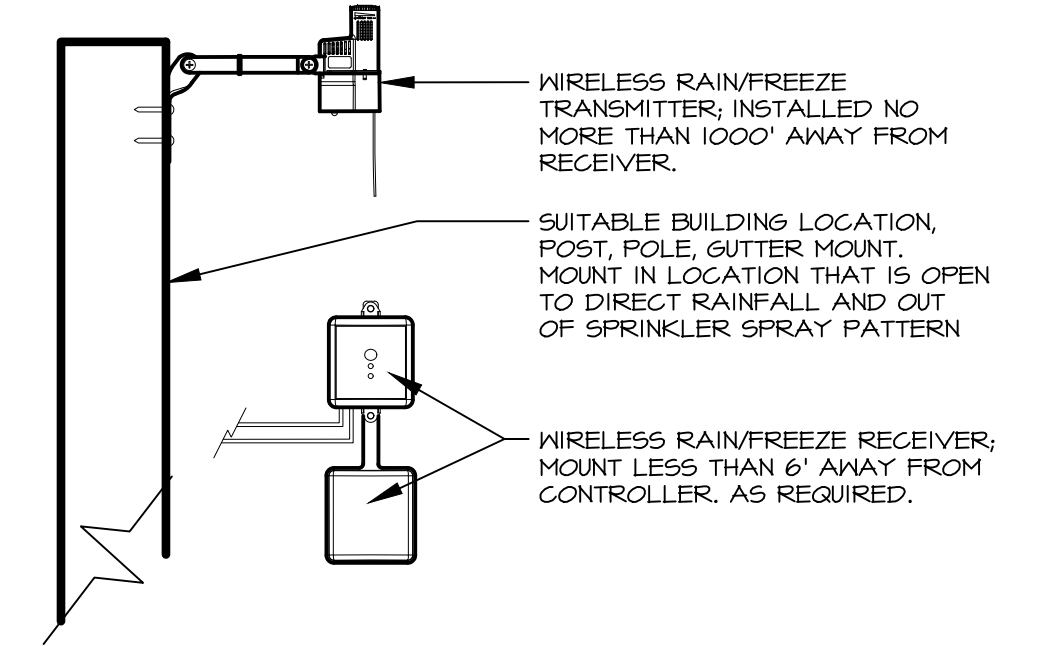
4 FLOW METER
NOTE:
INLET PIPE LENGTH OF SENSOR MUST BE MIN. 10X PIPE DIA, STRAIGHT, CLEAN RUN OF PIPE, NO FITTINGS OR TURNS. OUTLET PIPE LENGTH OF SENSOR MUST BE MIN. 5X PIPE DIA. OF STRAIGHT CLEAN RUN OF PIPE, NO FITTINGS OR TURNS. FITTINGS TO BE SCH 80 PVC SOLVENT WELD.
Scale: NTS



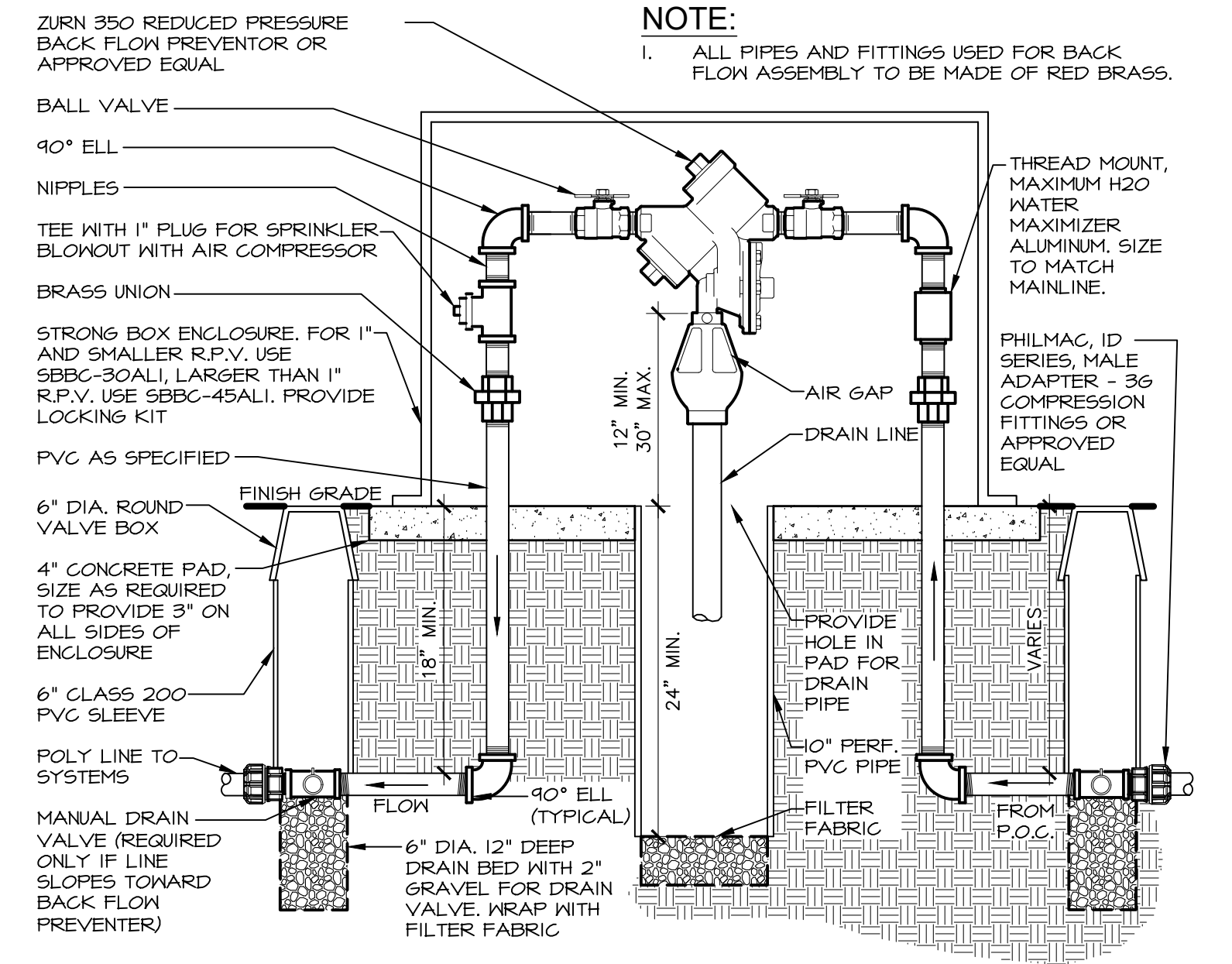
11 DRIPLINE LAYOUT AT TREES
NOTE:
1. TO BE USED AT ALL TREES PLANTED WITHIN AREA NOTED ON PLAN.
NOT TO SCALE



12 ECO INDICATOR
NOT TO SCALE



13 WIRELESS RAIN/FREEZE CLIK SYSTEM
Scale: NTS



14 REDUCED PRESSURE BACK FLOW PREVENTER
NOTE:
1. ALL PIPES AND FITTINGS USED FOR BACK FLOW ASSEMBLY TO BE MADE OF RED BRASS.
NOT TO SCALE

BRECKON!

 888.710.4444

 BRECKON! 808-376-6763

 BRECKON! 811

 Know what's below. Call before you dig. CALL 2 BUSINESS DAYS IN ADVANCE BEFORE YOU DIG, GRADE, OR EXCAVATE FOR THE MARKING OF UNDERGROUND MEMBER UTILITIES.

TIMOTHY M. GUILLOT

 ARCHITECT

 1736 East Sunshine, Suite 417

 Springfield, Missouri 65804

 417.862.0558

 Fax: 417.862.3265

 e-mail: architect@estertyschneider.com

PROJECT:

 NEW O'REILLY AUTO PARTS STORE

 STROH RD

 PARKER, CO #2

 IRRIGATION DETAILS

O'Reilly AUTO PARTS

 CORPORATE OFFICES

 233 SOUTH PATTERSON

 ST. LOUIS, MISSOURI 63102

 (417) 582-2674 TELEPHONE

COMM # 4884

 DATE: 2-14-2025

 REVISION

 DATE:

L2.5