



Final Document
Subject To Conditions In Approval Letter

APPROVED DATE: 06/18/2025

Planning Approval By: S. Nerger

COMPARK VILLAGE SOUTH F1 AMD 2 - MULTIFAMILY SITE PLAN

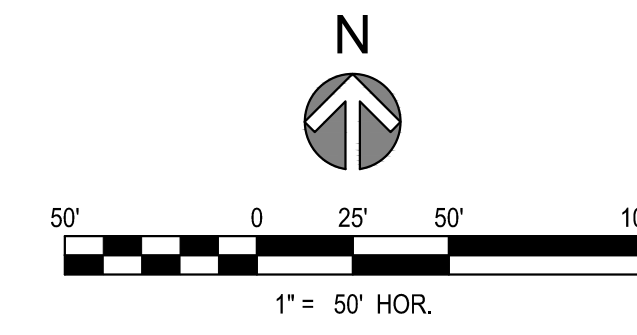
LOT 1, COMPARK VILLAGE FILING NO. 1, AMEND NO. 2
SOUTH HALF SECTION 6, TOWNSHIP 6 SOUTH, RANGE 66 WEST OF THE 6TH PRINCIPAL MERIDIAN
TOWN OF PARKER, COUNTY OF DOUGLAS, STATE OF COLORADO

PROJECT NUMBER
65120950

DRAWN BY
TV

DATE
6/3/2025

REVISIONS
1 RFI 21
2 CAR PORTS
3 EV CHARGERS



MATCH LINE SEE SHEET 4

LEGEND / KEYNOTES

- PARKING SPACE COUNT
- PROPERTY LINE
- SIGN
- R1-1 (30' x 30') STOP
- R7-8 (12' x 18') ADA
- R7-8 P (12' x 9') VAN
- R7-1 (SP) (12' x 18') FIRE LANE
- R2-1 (SP) (12' x 18') SPEED LIMIT 15
- EV CHARGER
- PAVEMENT MARKING OF INTERNATIONAL SYMBOL OF ACCESSIBILITY
- CAR PORT
- EV CHARGER



PREPARED FOR CENTURY COMMUNITIES



PROJECT COMPARK VILLAGE SOUTH

TOWN OF PARKER, COUNTY OF DOUGLAS, COLORADO 80134

NOTES

1. DIMENSIONS ARE TO FLOWLINE UNLESS OTHERWISE NOTED.

SHEET TITLE
SITE PLAN

SHEET NUMBER
3



Final Document
Subject To Conditions In Approval Letter

APPROVED DATE: 06/18/2025

Planning Approval By: S. Nerger

COMPARK VILLAGE SOUTH F1 AMD 2 - MULTIFAMILY SITE PLAN

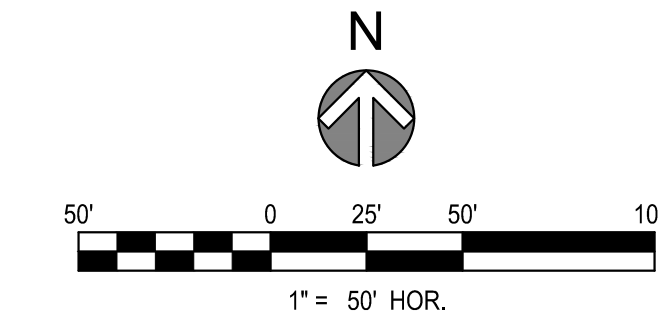
LOT 1, COMPARK VILLAGE FILING NO. 1, AMEND NO. 2
SOUTH HALF SECTION 6, TOWNSHIP 6 SOUTH, RANGE 66 WEST OF THE 6TH PRINCIPAL MERIDIAN
TOWN OF PARKER, COUNTY OF DOUGLAS, STATE OF COLORADO

PROJECT NUMBER
65120950

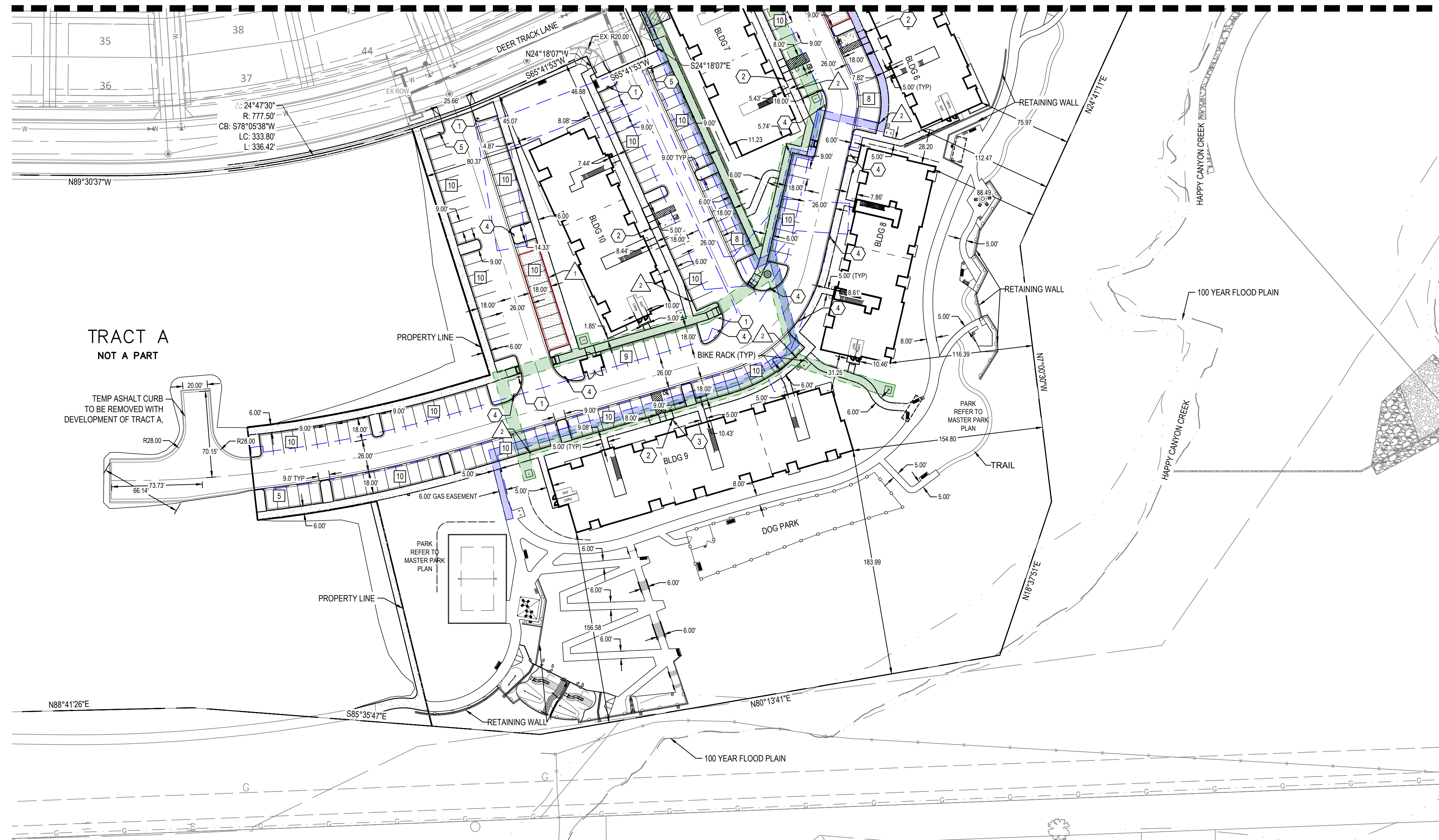
DRAWN BY
TV

DATE
6/3/2025

REVISIONS
1 RFI 21
2 CAR PORTS
3 EV CHARGERS



MATCH LINE SEE SHEET 3



LEGEND / KEYNOTES

- PARKING SPACE COUNT
- PROPERTY LINE
- SIGN
- R1-1 (30' x 30')
- R7-8 (12' x 18')
- R7-8 P (12' x 9')
- R7-1 (SP) (12' x 18')
- R2-1 (SP) (12' x 18')
- EV CHARGER
- PAVEMENT MARKING OF INTERNATIONAL SYMBOL OF ACCESSIBILITY
- CAR PORT
- EV CHARGER



PREPARED FOR CENTURY COMMUNITIES



PROJECT
COMPARK VILLAGE SOUTH

TOWN OF PARKER, COUNTY OF DOUGLAS, COLORADO 80134

NOTES

1. DIMENSIONS ARE TO FLOWLINE UNLESS OTHERWISE NOTED.

SHEET TITLE
SITE PLAN

SHEET NUMBER
4



Final Document
Subject To Conditions In Approval Letter

APPROVED DATE: 06/18/2025

Planning Approval By: S. Nerger

COMPARK VILLAGE SOUTH
F1 AMD 2 - MULTIFAMILY
SITE PLAN

LOT 2, COMPARK VILLAGE FILING NO. 1, AMEND NO. 2
SOUTH HALF SECTION 6, TOWNSHIP 6 SOUTH, RANGE 66 WEST OF THE 6TH PRINCIPAL MERIDIAN
TOWN OF PARKER, COUNTY OF DOUGLAS, STATE OF COLORADO

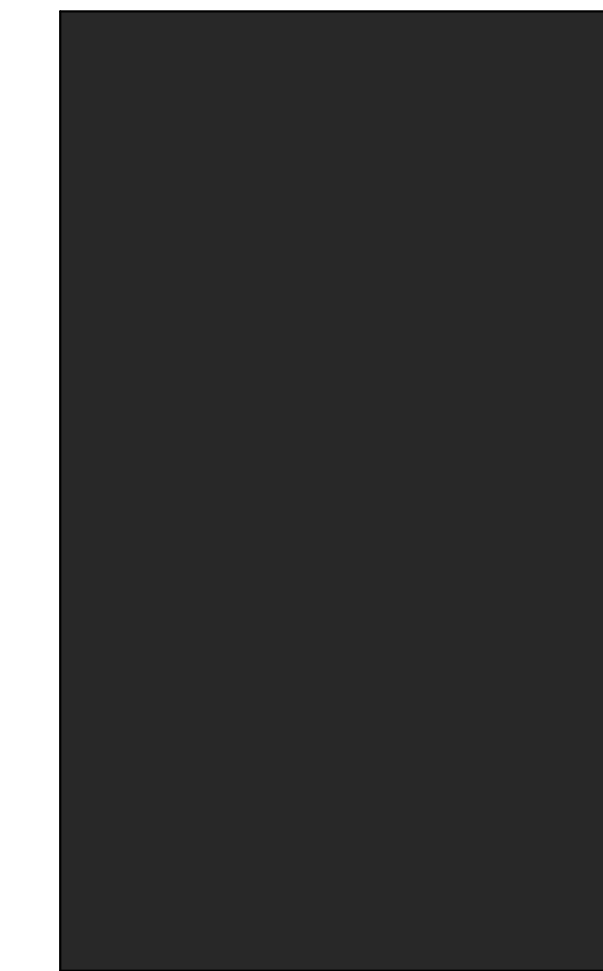
PROJECT NUMBER
210512

DRAWN BY

DATE
03/11/2025



Architecture + Planning
820 16th Street, Suite 500
Denver, CO 80202
ktgy.com
303.825.6400



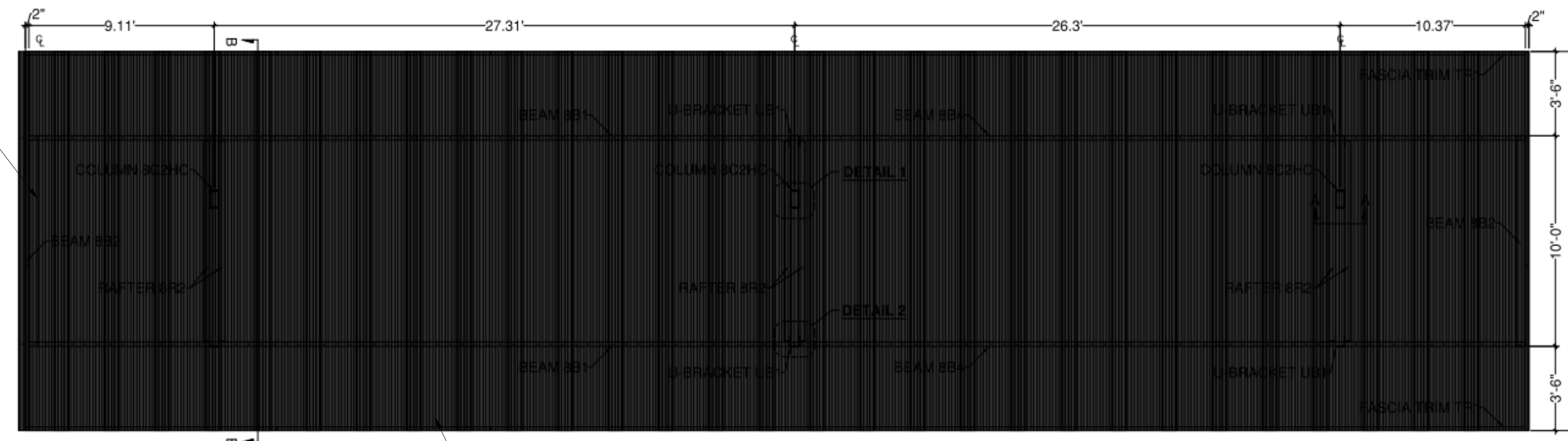
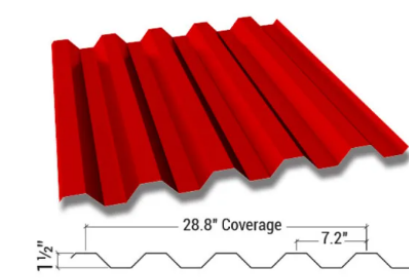
MATERIALS

STEEL CORRUGATED ROOF AND STEEL STRAIGHT FASCIA TRIM WRAPPING PERIMETER OF ROOF PANELS TO BE PAINTED WITH SILICONE-MODIFIED POLYESTER PAINT IN SHERWIN WILLIAMS TRICORN BLACK TO MATCH BUILDING STEEL BALCONY RAILINGS AND STEEL AWNINGS AT BUILDING ENTRIES.

STEEL COLUMNS SUPPORTING CORRUGATED STEEL ROOF PANELS TO BE PAINTED SHERWIN WILLIAMS CITY LOFT TO MATCH VERTICAL SIDING AND CEMENTITIOUS PANEL AT NEARBY BUILDINGS.

CARPORT ROOF IS CORRUGATED STEEL PANELS PAINTED WITH HIGHLY DURABLE SILICONE-MODIFIED POLYESTER PAINT TO WITHSTAND EXTREME WEATHER AND TEMPERATURE CHANGES USING A RESIN TO BIND PIGMENT TO METAL SURFACES. THE ROOF COLOR WILL MATCH THE SHERWIN WILLIAMS TRICORN BLACK USED ON THE BALCONY RAILINGS AND STEEL AWNINGS AT THE BUILDINGS. STRAIGHT FASCIA TRIM WRAPS THE ENTIRE PERIMETER OF THE ROOF SO NO CORRUGATED EDGES WILL BE VISIBLE.

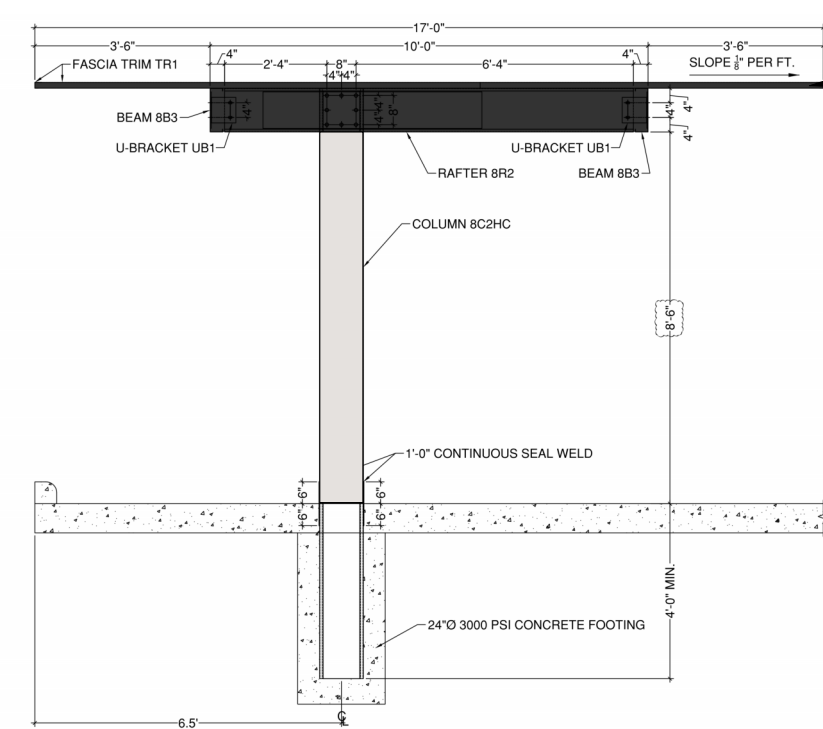
CORRUGATED PANEL OR SIMILAR SHOWN BELOW AS EXAMPLE.



ROOF PLAN

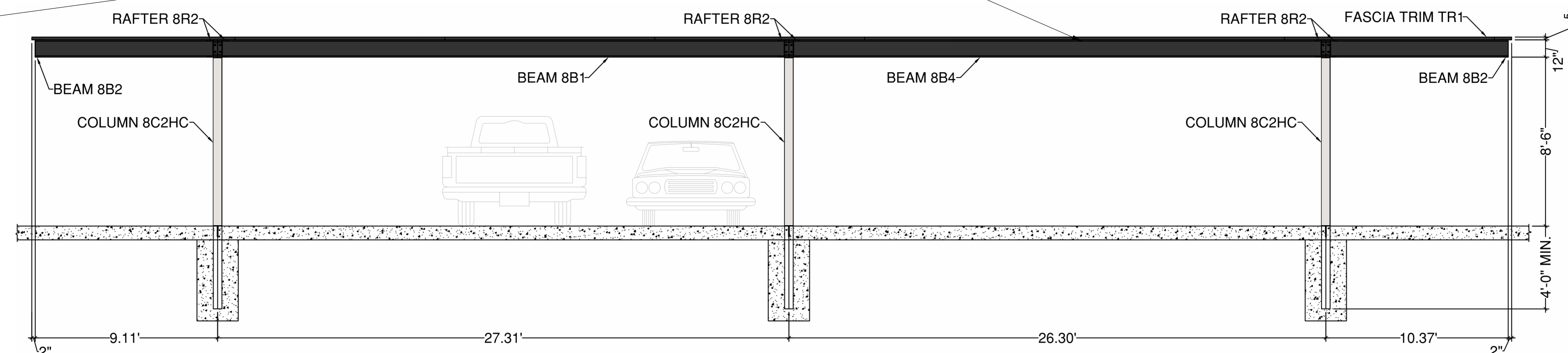
CARPORT #3 ROOF PLAN, TYPICAL FINISH

FINISH ON ALL VISIBLE PORTIONS OF CARPORT ROOFS TO BE SHERWIN WILLIAMS TRICORN BLACK AND COLUMNS TO BE SHERWIN WILLIAMS CITY LOFT



SIDE ELEVATION

CARPORT #3 SIDE ELEVATION, TYPICAL FINISH



FRONT ELEVATION

CARPORT #3 FRONT ELEVATION, TYPICAL FINISH

PREPARED FOR CENTURY COMMUNITIES



PROJECT

COMPARK VILLAGE SOUTH

TOWN OF PARKER, COUNTY OF DOUGLAS, COLORADO 80134

SHEET TITLE

TYP CARPORT ELEVATION & PLAN

SHEET NUMBER

A1-00



Final Document
Subject To Conditions In Approval Letter

APPROVED DATE: 06/18/2025

Planning Approval By: S. Nerger

COMPARK VILLAGE SOUTH
F1 AMD 2 - MULTIFAMILY
SITE PLAN

LOT 1, COMPARK VILLAGE FILING NO. 1, AMEND NO. 2
SOUTH HALF SECTION 6, TOWNSHIP 6 SOUTH, RANGE 66 WEST OF THE 6TH PRINCIPAL MERIDIAN
TOWN OF PARKER, COUNTY OF DOUGLAS, STATE OF COLORADO



GENERAL NOTES:

1. ANY PROPOSED LIGHT FIXTURES INSTALLED ON PRIVATE PROPERTY, ADJACENT TO THE PUBLIC RIGHT-OF-WAY, SHALL BE ORIENTED IN SUCH A MANNER OR LIMITED IN LUMEN OUTPUT TO PREVENT GLARE PROBLEMS AND SHALL NOT EXCEED NATIONAL I.E.S. LIGHTING STANDARDS FOR DISABILITY GLARE.

SITE LIGHT FIXTURE SCHEDULE

TYPE	SERVES	DESCRIPTION	MANUFACTURER CATALOG NO.	LAMPS	QUANTITY	NOTES
SA1	SITE	POLE MOUNTED FIXTURE	COOPER #PRV-C15-730-T5-SPB2	52	1	20'
SA2	SITE	POLE MOUNTED FIXTURE	COOPER #PRV-C15-730-T3-SPB2	52	24	20'
SA3	SITE	POLE MOUNTED FIXTURE	COOPER #PRV-C15-730-T3-SPB2 (DOUBLE)	52	4	20'
SA4	SITE	POLE MOUNTED FIXTURE	COOPER #PRV-C60-730-T4-SPB2	217	3	20'
SB	SITE	POLE MOUNTED FIXTURE	COOPER #PRV9-C10-730-T3-SPB2	34.6	41	10'
SC	SITE	BOLLARD	METEOR #SP018-30K-BLK-WD-4S	0.7	10	10'
SF	SITE	WALL MOUNTED	COOPER #ST-SA1F-730-U(T4W OR T4T)-BK-SPB2	66	4	15'
SP	SITE	CARPORT MOUNTED	LEDALUX #CP-8,000-3000K	57	24	-
POLE (SA#, SB)	SITE	POLE	HAPCO (#10 OR 20)-B-4-(D190 OR D218)-BA	-	73	10' AND 20'

REFER TO SITE PLAN SYMBOLS AND LIGHTING TAGS FOR LIGHT FIXTURE MOUNTING AND NUMBER OF FIXTURES PER POLE

CALCULATION SUMMARY

LABEL	UNITS	AVG	MAX	MIN	AVG/MIN	MAX/MIN
LANDSCAPE PATH	FC	1.22	4.0	0.1	12.2	40.0
LANDSCAPE RAMP	FC	1.01	2.5	0.3	3.37	8.33
LANDSCAPE STEPS	FC	0.96	1.8	0.5	1.92	3.60
PARKING	FC	2.03	4.8	0.8	2.54	6.00
PATH 1	FC	2.58	3.9	1.1	2.35	3.55
PATH 2	FC	1.92	3.4	0.8	2.40	4.25
PATH 3	FC	1.99	3.8	0.9	2.21	4.22
PATH 4	FC	1.67	3.3	1.1	1.52	3.00
PATH 5	FC	1.95	3.0	0.9	2.17	3.33
PATH 6	FC	2.21	5.0	0.5	4.42	10.0
PATH 7	FC	2.08	3.7	0.7	2.97	5.29
PROP LINE TRACT 2	FC	0.27	0.9	0.0	N.A.	N.A.
PROP LINE TRACT G	FC	0.06	0.9	0.0	N.A.	N.A.
POOL DECK	FC	4.7	7.8	1.6	N.A.	N.A.

1 SITE PHOTOMETRIC PLAN
SCALE: 1" = 70'-0"

PROJECT NUMBER
65120950

DRAWN BY
TV

DATE
6/3/2025

REVISIONS
1 RFI 21
2 CAR PORTS
3 PHOTOMETRICS



PREPARED FOR CENTURY COMMUNITIES



PROJECT
COMPARK VILLAGE SOUTH

TOWN OF PARKER, COUNTY OF DOUGLAS, COLORADO 80134

SHEET TITLE
SITE PHOTOMETRIC PLAN & SCHEDULES

SHEET NUMBER
51

Specification

ADVANCED HIGH CEILING
SP-018/SP-018s - Smart Illuminating Bollard
Motion Sensor / No Wiring



Quantity	
Project	
Note	
Type	

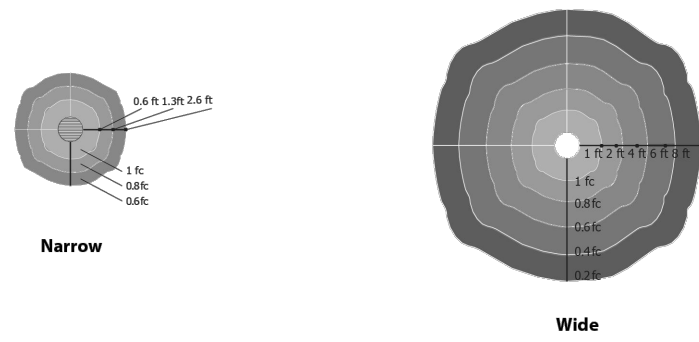
General
Housing: Extruded aluminum
Finish: Black, Grey, Platinum silver
Mounting: Embedded, Surface mounted (please refer to installation guide)
Anchorage: Anchor base with stainless steel anti-theft screws

Operational
Average Sunlight Exposure: 2-3 Hours (sunny) to 5-8 hours (overcast or rainy) to Maintain Function*
Average Operation Time: Minimum 12 hours (extra stored power will carry over to next day)
Solar Deprivation Limit: 5 days*
Switch: Auto photo sensor
On/Off Level: 1.5 / 3 footcandle
Temperature Range: -40° F to 176° F
Distribution: Narrow or Wide
Weight: 44.1 lbs (SP-018) / 33.1 lbs (SP-018s)
*70 maintain function, unit requires 2-4 hours (sunny) to 5-8 hours (overcast/rain) of full exposure. Extra charge will be restored for next day use. Fully charged, the unit can last 3-4 rainy days.

Solar LED Specification
Solar Panel: Crystalline silicon
Lifespan of Solar Panel: 20 yrs
LED Brand: Nichia
Available LED colors: White(5700K), Neutral White(4000K), Warm White(3000K), Amber > 60,000 Hours (L70)
LED Rated Life: Power Storage: Panasonic industrial battery pack(Lifespan: 4-6 years)

Warranty
3 year limited warranty. See www.meteor-lighting.com for details.

Distribution



METEOR LIGHTING P: 213.255.2060 F: 213.596.3704 www.meteor-lighting.com Page 1
*METEOR LIGHTING reserves the right to make changes to this product at any time without prior notice and such modification shall be effective immediately.

SITE LIGHT FIXTURE 'SC'

Specification

ADVANCED HIGH CEILING
SP-018/SP-018s - Smart Illuminating Bollard
Motion Sensor / No Wiring

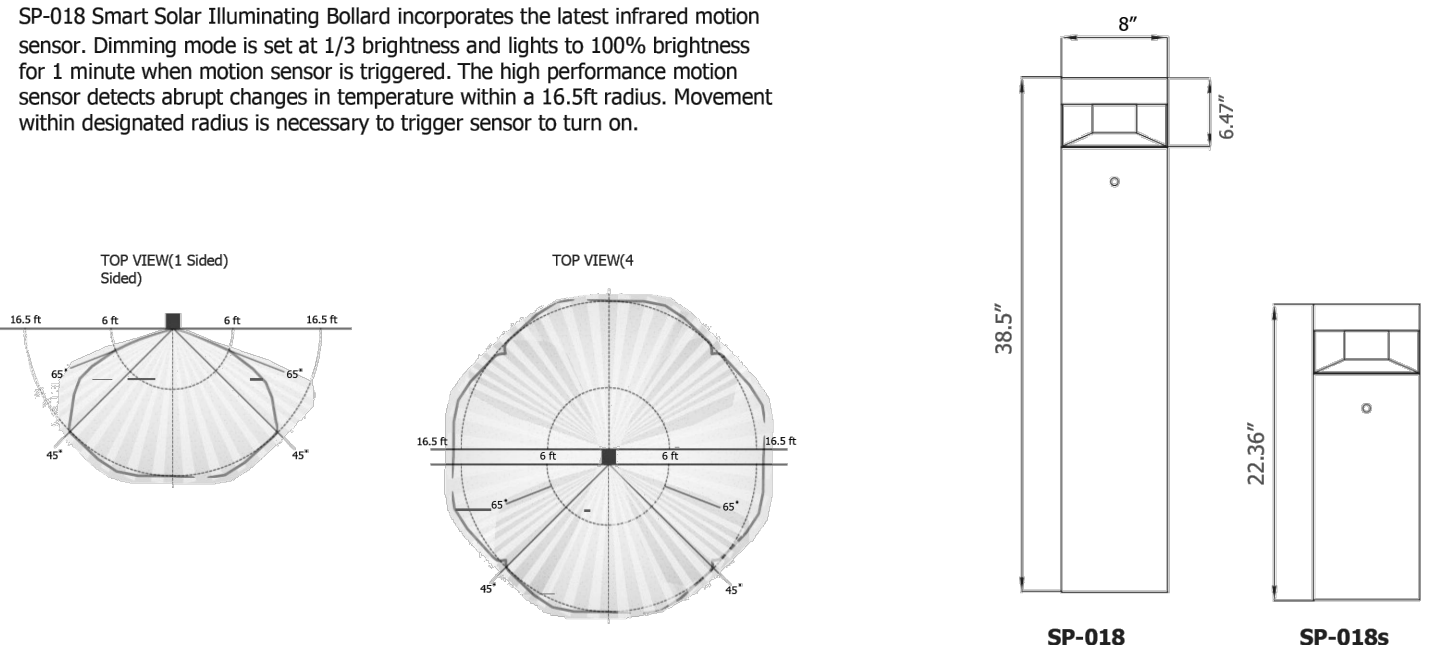


How To Specify
Ordering Example: **SP018-30K-BLK-NR-AKE-1S**

Model	CCT	Finish	Distribution	Anchorage	Optional
SP018	30K (3000K)	BLK (Black)	NR (Narrow)	AKE (Embedded)	1S (1 Sensor)
SP018s	40K (4000K) 57K (5700K) AMB (Amber)	GRY (Gray) PTS (Platinum silver)	WD (Wide)	AKS (Surface Mounted)	4S (4 Sensor)

Motion Sensor Detection type
SP-018 Smart Solar Illuminating Bollard incorporates the latest infrared motion sensor. Dimming mode is set at 1/3 brightness and lights to 100% brightness for 1 minute when motion sensor is triggered. The high performance motion sensor detects abrupt changes in temperature within a 16.5ft radius. Movement within designated radius is necessary to trigger sensor to turn on.

Dimensions



METEOR LIGHTING P: 213.255.2060 F: 213.596.3704 www.meteor-lighting.com Page 2
*METEOR LIGHTING reserves the right to make changes to this product at any time without prior notice and such modification shall be effective immediately.



Final Document
Subject To Conditions In Approval Letter

APPROVED DATE: 06/18/2025

Planning Approval By: S. Nerger

COMPARK VILLAGE SOUTH

F1 AMD 2 - MULTIFAMILY

SITE PLAN

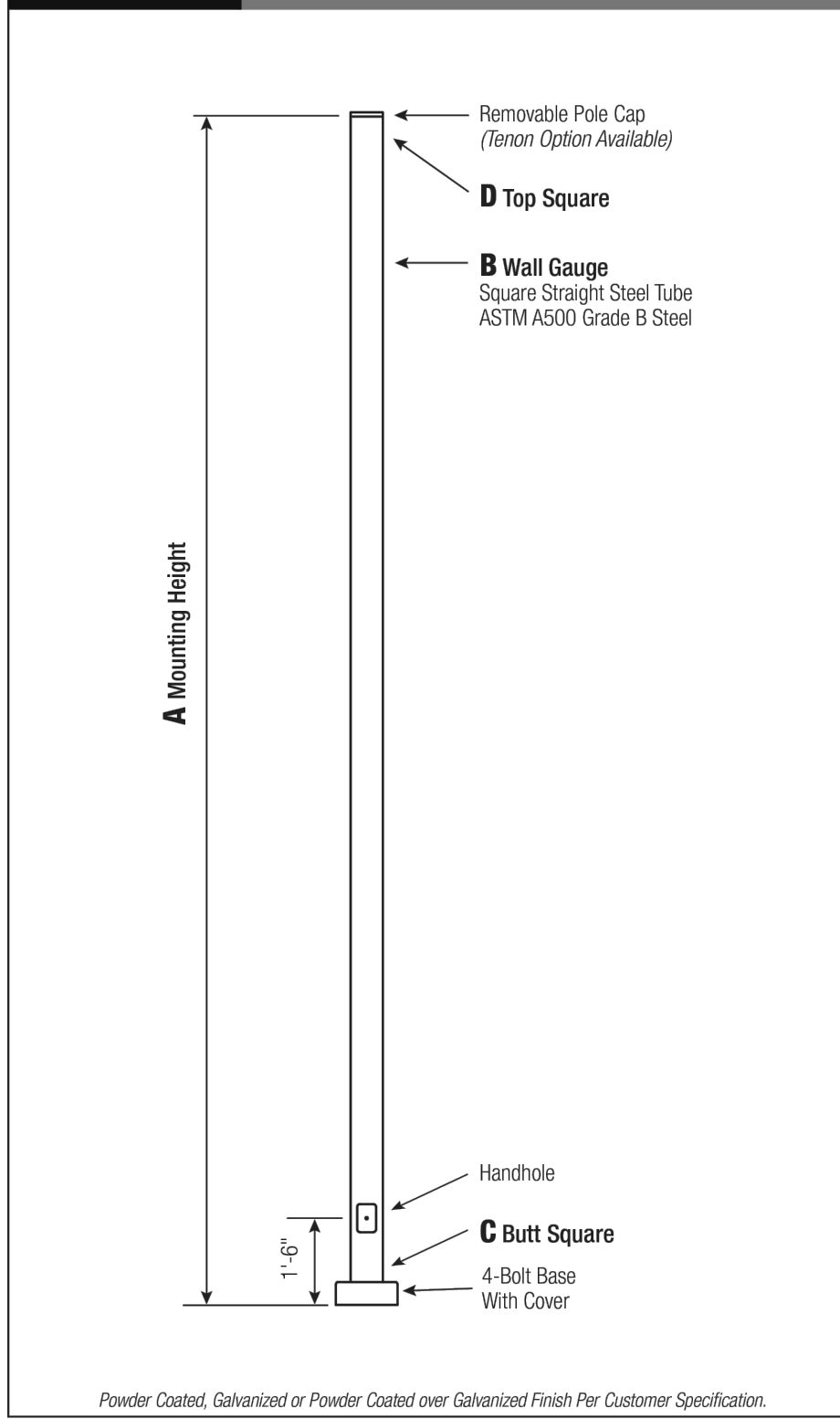
LOT 1, COMPARK VILLAGE FILING NO. 1, AMEND NO. 2
SOUTH HALF SECTION 6, TOWNSHIP 6 SOUTH, RANGE 66 WEST OF THE 6TH PRINCIPAL MERIDIAN
TOWN OF PARKER, COUNTY OF DOUGLAS, STATE OF COLORADO

SITE LIGHT FIXTURE SCHEDULE

TYPE	SERVES	DESCRIPTION	MANUFACTURER CATALOG NO.	LAMPS	QUANTITY	NOTES
SA1	SITE	POLE MOUNTED FIXTURE	COOPER #PRV-C15-730-T5-SPB2	52	1	20'
SA2	SITE	POLE MOUNTED FIXTURE	COOPER #PRV-C15-730-T3-SPB2	52	24	20'
SA3	SITE	POLE MOUNTED FIXTURE	COOPER #PRV-C15-730-T3-SPB2 (DOUBLE)	52	4	20'
SA4	SITE	POLE MOUNTED FIXTURE	COOPER #PRV-C60-730-T4-SPB2	217	3	20'
SB	SITE	POLE MOUNTED FIXTURE	COOPER #PRV-C10-730-T3-SPB2	34.6	44	10'
SC	SITE	BOLLARD	METEOR #SP018-30K-BLK-WD-4S	0.7	10	10'
SF	SITE	WALL MOUNTED	COOPER #IST-SA1F-730-U-(T4W OR T4FT)-BK-SPB2	66	4	15'
SP	SITE	CARPORT MOUNTED	LEDALUX #CP-8.000-3000K	57	25	-
POLE (SA#, SB)	SITE	POLE	HAPCO #10 OR 20-B-4-(D190 OR D218)-BA	-	76	10' AND 20'

REFER TO SITE PLAN SYMBOLS AND LIGHTING TAGS FOR LIGHT FIXTURE MOUNTING AND NUMBER OF FIXTURES PER POLE

SSS Square Straight Steel Pole No Arm — 4-Bolt Base



C	D	F	G	H	I
4 (1/4 Gauge)	4	8 - 9	8	3.75	.75 x 17 x 3
4 (1/2 Gauge)	4	8 - 9	8	3.75	.75 x 30 x 3
5 (1/4 Gauge)	5	10 - 12	11	4.875	.75 x 30 x 3
5 (1/2 Gauge)	5	10 - 12	11	4.875	1 x 36 x 4
6	6	11 - 13	12.5	4.875	1 x 36 x 4

2 www.hapco.com

Pole
Pole shaft shall be weather-grade, cold-rolled, commercial quality carbon steel tubing conforming to ASTM A500 Grade B. Options include 11 gauge and 7 gauge. All welds shall conform to AWS D1.1 using E70T5-G electrodes.

Base Style
4-Bolt Steel Plate Base Flange of fabricated hot rolled carbon steel conforming to ASTM A500 or equivalent (50ksi minimum yield) with 2-piece Base Cover and anchoring hardware.

Anchorage
Anchorage Kit will include four (4) L-shaped Steel Anchor Bolts conforming to AASHTO M14-90 Grade 55. Ten inches (10") of threaded end will be galvanized per ASTM A153. Kits will contain eight (8) Hex Nuts, four (4) Lock Washers, and eight (8) Flat Washers (all components Galvanized Steel). A paper bolt circle template will be provided.

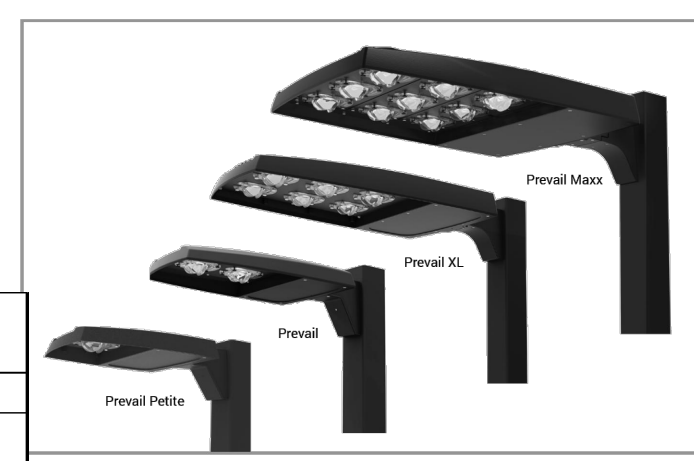
Handhole
Reinforced, 3" x 5" Handhole with cover, stainless steel screw and backlock. A grounding provision incorporating a tapered 1/2" - 1/8" hole will be provided.

Base Cover
Square ABS plastic Base Covers are standard on all SSS poles specified in Black, BM (Black Bronze) and SS (White). SSS poles specified in all other colors will be manufactured of metal materials. Custom specification of SSS square metal style Base Covers in BA, BM and BV powder coated finishes is available.

Vibration Damper
If determined necessary by Hapco, or if specified by the customer, a first and/or second mode vibration damper will be provided.

WARNING: Do not install light pole without luminaires.

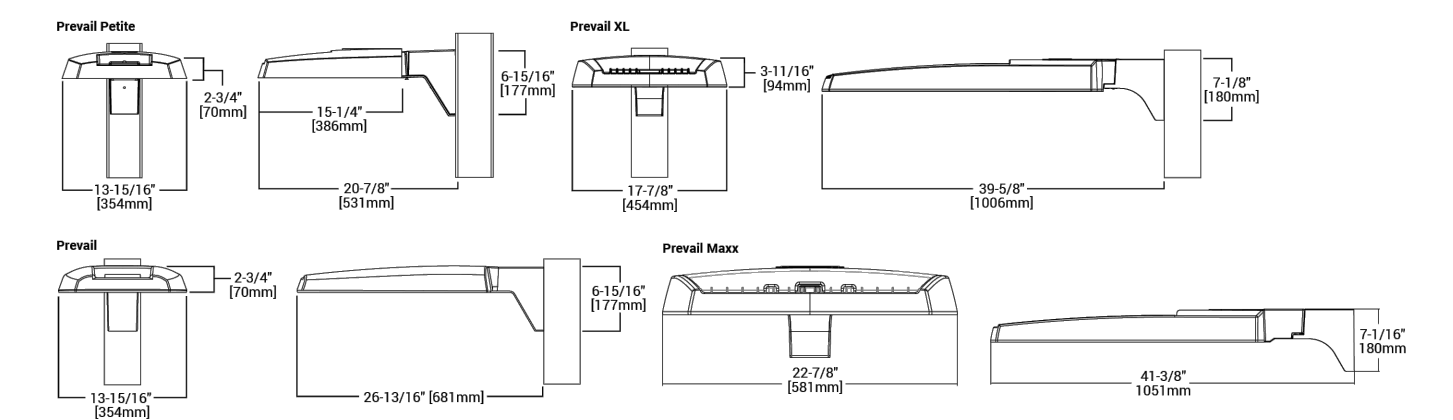
Project	Catalog #	Type
Prepared by	Notes	Date



- Interactive Menu**
- Ordering Information page 2
 - Mounting Details page 3, 4
 - Optical Configurations page 5
 - Product Specifications page 5
 - Energy and Performance Data page 6, 7
 - Control Options page 8

- Quick Facts**
- Lumen packages range from 4,800 - 84,000 lumens (35W - 68W)
 - Replaces 70W up to 1,000W HID equivalents
 - Efficacies up to 160 lumens per watt
 - Energy and maintenance savings up to 85% versus HID solutions
 - Standard universal quick mount arm with universal drill pattern

Dimensional Details



NOTE: 1. Visit www.cooperlighting.com to confirm specification. Not all product variations are UL qualified.
2. UL Certified for 200K CCT and warmer only.



SITE LIGHT FIXTURE 'SA1, SA2, SA3, SA4, & SB'

Lumark Preval LED

Product Family	Light Engine	Color Temperature	Driver	Voltage	Distribution	Mounting	Color
PRV-Preval Petite	C15-1 LED 4,800 Nominal Lumens	740-700K, 4000K	D-Dimming (0-10V)	UNV-Universal (120-277V)	T2-Type II	SA-M Standard	BLK/White
BAA-PRV-Preval Petite BAA Compliant	C25-1 LED 8,000 Nominal Lumens	727-702K, 2700K		UNV-Universal, 120-277V	T2-Type III	AP-Cover	AP-Cover
TAA-PRV-Preval Petite TAA Compliant	C25-1 LED 8,000 Nominal Lumens	730-702K, 3000K		120-277V	T4-Type IV	MA-OM Mast Arm	BK-Black
PRV-Preval	C15-1 LED 7,100 Nominal Lumens	730-702K, 3000K		120-277V	T4-Type V	MA-OM Mast Arm	DP-Dark Platinum
BAA-PRV-Preval BAA Compliant	C25-1 LED 13,100 Nominal Lumens	650-650K, 4000K		120-277V	T4-Type V	MA-OM Mast Arm	MA-OM Mast Arm
TAA-PRV-Preval TAA Compliant	C40-1 LED 20,000 Nominal Lumens	650-650K, 4000K		120-277V	T4-Type V	MA-OM Mast Arm	MA-OM Mast Arm
PRV-XL-Preval XL	C15-1 LED 7,100 Nominal Lumens	730-702K, 3000K		120-277V	T4-Type V	MA-OM Mast Arm	MA-OM Mast Arm
BAA-PRV-XL-Preval XL BAA Compliant	C25-1 LED 13,100 Nominal Lumens	650-650K, 4000K		120-277V	T4-Type V	MA-OM Mast Arm	MA-OM Mast Arm
TAA-PRV-XL-Preval XL TAA Compliant	C40-1 LED 20,000 Nominal Lumens	650-650K, 4000K		120-277V	T4-Type V	MA-OM Mast Arm	MA-OM Mast Arm
PRV-M-Preval Max	C200-1 LED 48,000 Nominal Lumens	730-702K, 3000K		120-277V	T4-Type V	MA-OM Mast Arm	MA-OM Mast Arm
BAA-PRV-M-Preval Max BAA Compliant	C225-1 LED 54,000 Nominal Lumens	650-650K, 4000K		120-277V	T4-Type V	MA-OM Mast Arm	MA-OM Mast Arm
TAA-PRV-M-Preval Max TAA Compliant	C275-1 LED 72,000 Nominal Lumens	650-650K, 4000K		120-277V	T4-Type V	MA-OM Mast Arm	MA-OM Mast Arm

Options (Add as Suffix)

SPB1-Dimming Motion and Daylight Sensor, Bluetooth Programmable, 4" Mounting Height
SPB2-Dimming Motion and Daylight Sensor, Bluetooth Programmable, 7" Mounting Height
SPB3-Dimming Motion and Daylight Sensor, Bluetooth Programmable, 21" Mounting Height
SPB4-Dimming Motion and Daylight Sensor, Bluetooth Programmable, 21" Mounting Height
SPB5-Dimming Motion and Daylight Sensor, Bluetooth Programmable, 21" Mounting Height
SPB6-Dimming Motion and Daylight Sensor, Bluetooth Programmable, 21" Mounting Height
SPB7-Dimming Motion and Daylight Sensor, Bluetooth Programmable, 21" Mounting Height
SPB8-Dimming Motion and Daylight Sensor, Bluetooth Programmable, 21" Mounting Height
SPB9-Dimming Motion and Daylight Sensor, Bluetooth Programmable, 21" Mounting Height
SPB10-Dimming Motion and Daylight Sensor, Bluetooth Programmable, 21" Mounting Height
SPB11-Dimming Motion and Daylight Sensor, Bluetooth Programmable, 21" Mounting Height
SPB12-Dimming Motion and Daylight Sensor, Bluetooth Programmable, 21" Mounting Height
SPB13-Dimming Motion and Daylight Sensor, Bluetooth Programmable, 21" Mounting Height
SPB14-Dimming Motion and Daylight Sensor, Bluetooth Programmable, 21" Mounting Height
SPB15-Dimming Motion and Daylight Sensor, Bluetooth Programmable, 21" Mounting Height
SPB16-Dimming Motion and Daylight Sensor, Bluetooth Programmable, 21" Mounting Height
SPB17-Dimming Motion and Daylight Sensor, Bluetooth Programmable, 21" Mounting Height
SPB18-Dimming Motion and Daylight Sensor, Bluetooth Programmable, 21" Mounting Height
SPB19-Dimming Motion and Daylight Sensor, Bluetooth Programmable, 21" Mounting Height
SPB20-Dimming Motion and Daylight Sensor, Bluetooth Programmable, 21" Mounting Height
SPB21-Dimming Motion and Daylight Sensor, Bluetooth Programmable, 21" Mounting Height
SPB22-Dimming Motion and Daylight Sensor, Bluetooth Programmable, 21" Mounting Height
SPB23-Dimming Motion and Daylight Sensor, Bluetooth Programmable, 21" Mounting Height
SPB24-Dimming Motion and Daylight Sensor, Bluetooth Programmable, 21" Mounting Height
SPB25-Dimming Motion and Daylight Sensor, Bluetooth Programmable, 21" Mounting Height
SPB26-Dimming Motion and Daylight Sensor, Bluetooth Programmable, 21" Mounting Height
SPB27-Dimming Motion and Daylight Sensor, Bluetooth Programmable, 21" Mounting Height
SPB28-Dimming Motion and Daylight Sensor, Bluetooth Programmable, 21" Mounting Height
SPB29-Dimming Motion and Daylight Sensor, Bluetooth Programmable, 21" Mounting Height
SPB30-Dimming Motion and Daylight Sensor, Bluetooth Programmable, 21" Mounting Height
SPB31-Dimming Motion and Daylight Sensor, Bluetooth Programmable, 21" Mounting Height
SPB32-Dimming Motion and Daylight Sensor, Bluetooth Programmable, 21" Mounting Height
SPB33-Dimming Motion and Daylight Sensor, Bluetooth Programmable, 21" Mounting Height
SPB34-Dimming Motion and Daylight Sensor, Bluetooth Programmable, 21" Mounting Height
SPB35-Dimming Motion and Daylight Sensor, Bluetooth Programmable, 21" Mounting Height
SPB36-Dimming Motion and Daylight Sensor, Bluetooth Programmable, 21" Mounting Height
SPB37-Dimming Motion and Daylight Sensor, Bluetooth Programmable, 21" Mounting Height
SPB38-Dimming Motion and Daylight Sensor, Bluetooth Programmable, 21" Mounting Height
SPB39-Dimming Motion and Daylight Sensor, Bluetooth Programmable, 21" Mounting Height
SPB40-Dimming Motion and Daylight Sensor, Bluetooth Programmable, 21" Mounting Height
SPB41-Dimming Motion and Daylight Sensor, Bluetooth Programmable, 21" Mounting Height
SPB42-Dimming Motion and Daylight Sensor, Bluetooth Programmable, 21" Mounting Height
SPB43-Dimming Motion and Daylight Sensor, Bluetooth Programmable, 21" Mounting Height
SPB44-Dimming Motion and Daylight Sensor, Bluetooth Programmable, 21" Mounting Height
SPB45-Dimming Motion and Daylight Sensor, Bluetooth Programmable, 21" Mounting Height
SPB46-Dimming Motion and Daylight Sensor, Bluetooth Programmable, 21" Mounting Height
SPB47-Dimming Motion and Daylight Sensor, Bluetooth Programmable, 21" Mounting Height
SPB48-Dimming Motion and Daylight Sensor, Bluetooth Programmable, 21" Mounting Height
SPB49-Dimming Motion and Daylight Sensor, Bluetooth Programmable, 21" Mounting Height
SPB50-Dimming Motion and Daylight Sensor, Bluetooth Programmable, 21" Mounting Height
SPB51-Dimming Motion and Daylight Sensor, Bluetooth Programmable, 21" Mounting Height
SPB52-Dimming Motion and Daylight Sensor, Bluetooth Programmable, 21" Mounting Height
SPB53-Dimming Motion and Daylight Sensor, Bluetooth Programmable, 21" Mounting Height
SPB54-Dimming Motion and Daylight Sensor, Bluetooth Programmable, 21" Mounting Height
SPB55-Dimming Motion and Daylight Sensor, Bluetooth Programmable, 21" Mounting Height
SPB56-Dimming Motion and Daylight Sensor, Bluetooth Programmable, 21" Mounting Height
SPB57-Dimming Motion and Daylight Sensor, Bluetooth Programmable, 21" Mounting Height
SPB58-Dimming Motion and Daylight Sensor, Bluetooth Programmable, 21" Mounting Height
SPB59-Dimming Motion and Daylight Sensor, Bluetooth Programmable, 21" Mounting Height
SPB60-Dimming Motion and Daylight Sensor, Bluetooth Programmable, 21" Mounting Height
SPB61-Dimming Motion and Daylight Sensor, Bluetooth Programmable, 21" Mounting Height
SPB62-Dimming Motion and Daylight Sensor, Bluetooth Programmable, 21" Mounting Height
SPB63-Dimming Motion and Daylight Sensor, Bluetooth Programmable, 21" Mounting Height
SPB64-Dimming Motion and Daylight Sensor, Bluetooth Programmable, 21" Mounting Height
SPB65-Dimming Motion and Daylight Sensor, Bluetooth Programmable, 21" Mounting Height
SPB66-Dimming Motion and Daylight Sensor, Bluetooth Programmable, 21" Mounting Height
SPB67-Dimming Motion and Daylight Sensor, Bluetooth Programmable, 21" Mounting Height
SPB68-Dimming Motion and Daylight Sensor, Bluetooth Programmable, 21" Mounting Height
SPB69-Dimming Motion and Daylight Sensor, Bluetooth Programmable, 21" Mounting Height
SPB70-Dimming Motion and Daylight Sensor, Bluetooth Programmable, 21" Mounting Height
SPB71-Dimming Motion and Daylight Sensor, Bluetooth Programmable, 21" Mounting Height
SPB72-Dimming Motion and Daylight Sensor, Bluetooth Programmable, 21" Mounting Height
SPB73-Dimming Motion and Daylight Sensor, Bluetooth Programmable, 21" Mounting Height
SPB74-Dimming Motion and Daylight Sensor, Bluetooth Programmable, 21" Mounting Height
SPB75-Dimming Motion and Daylight Sensor, Bluetooth Programmable, 21" Mounting Height
SPB76-Dimming Motion and Daylight Sensor, Bluetooth Programmable, 21" Mounting Height
SPB77-Dimming Motion and Daylight Sensor, Bluetooth Programmable, 21" Mounting Height
SPB78-Dimming Motion and Daylight Sensor, Bluetooth Programmable, 21" Mounting Height
SPB79-Dimming Motion and Daylight Sensor, Bluetooth Programmable, 21" Mounting Height
SPB80-Dimming Motion and Daylight Sensor, Bluetooth Programmable, 21" Mounting Height
SPB81-Dimming Motion and Daylight Sensor, Bluetooth Programmable, 21" Mounting Height
SPB82-Dimming Motion and Daylight Sensor, Bluetooth Programmable, 21" Mounting Height
SPB83-Dimming Motion and Daylight Sensor, Bluetooth Programmable, 21" Mounting Height
SPB84-Dimming Motion and Daylight Sensor, Bluetooth Programmable, 21" Mounting Height
SPB85-Dimming Motion and Daylight Sensor, Bluetooth Programmable, 21" Mounting Height
SPB86-Dimming Motion and Daylight Sensor, Bluetooth Programmable, 21" Mounting Height
SPB87-Dimming Motion and Daylight Sensor, Bluetooth Programmable, 21" Mounting Height
SPB88-Dimming Motion and Daylight Sensor, Bluetooth Programmable, 21" Mounting Height
SPB89-Dimming Motion and Daylight Sensor, Bluetooth Programmable, 21" Mounting Height
SPB90-Dimming Motion and Daylight Sensor, Bluetooth Programmable, 21" Mounting Height
SPB91-Dimming Motion and Daylight Sensor, Bluetooth Programmable, 21" Mounting Height
SPB92-Dimming Motion and Daylight Sensor, Bluetooth Programmable, 21" Mounting Height
SPB93-Dimming Motion and Daylight Sensor, Bluetooth Programmable, 21" Mounting Height
SPB94-Dimming Motion and Daylight Sensor, Bluetooth Programmable, 21" Mounting Height
SPB95-Dimming Motion and Daylight Sensor, Bluetooth Programmable, 21" Mounting Height
SPB96-Dimming Motion and Daylight Sensor, Bluetooth Programmable, 21" Mounting Height
SPB97-Dimming Motion and Daylight Sensor, Bluetooth Programmable, 21" Mounting Height
SPB98-Dimming Motion and Daylight Sensor, Bluetooth Programmable, 21" Mounting Height
SPB99-Dimming Motion and Daylight Sensor, Bluetooth Programmable, 21" Mounting Height
SPB100-Dimming Motion and Daylight Sensor, Bluetooth Programmable, 21" Mounting Height

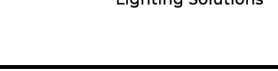
Lumensafe Integrated Network Security Camera Technology Options (Add as Suffix)

Product Family	Camera Type	Data Backhaul
L-Lumensafe Technology	M-Dome Camera, High Res	B-Cellular, Factory Installed Verizon 5M Card
	Z-Dome Camera, Remote PTZ	C-Cellular, Factory Installed Verizon 5M Card
		D-Cellular, Factory Installed Verizon 5M Card
		E-Ethernet Networking

Stock Ordering Information

Product Family	Light Engine	Voltage	Distribution
PRV-Preval	C15-1 LED 7,100 Nominal Lumens C25-1 LED 13,100 Nominal Lumens C40-1 LED 20,000 Nominal Lumens	UNV-Universal (120-277V)	T2-Type II
PRV-XL-Preval XL	C15-1 LED 7,100 Nominal Lumens C25-1 LED 13,100 Nominal Lumens C40-1 LED 20,000 Nominal Lumens	120-277V	T4-Type IV

NOTE: 1. All stock configurations are standard 4000K/7000K, bronze finish, and include the standard versatile mounting arm.
2. Only available on PRV configurations C15, C25, C40 or 60.



Page 2
June 3, 2024 7:52 PM

PROJECT NUMBER
65120950

DRAWN BY
TV

DATE
6/3/2025

REVISIONS

1	RFI 21
2	CAR PORTS
3	PHOTOMETRICS



PREPARED FOR CENTURY COMMUNITIES

PROJECT
COMPARK VILLAGE SOUTH
TOWN OF PARKER, COUNTY OF DOUGLAS, COLORADO 80134

SHEET TITLE
LIGHT FIXTURE SPEC SHEETS

SHEET NUMBER
52

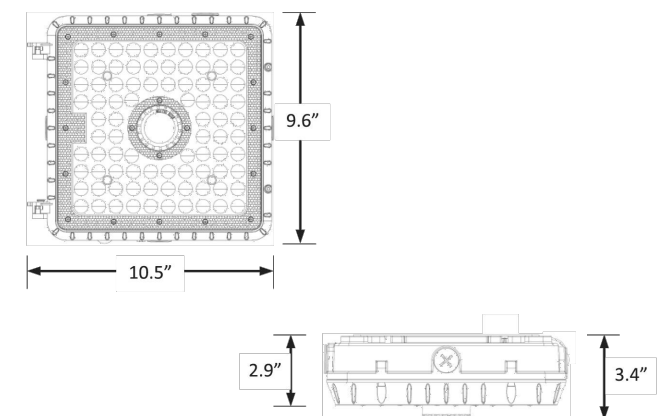
LEDALUX CP-LKFS Lumen and Kelvin Field Selectable Canopy

L70 44,000 Hours



CATALOG NUMBER: _____
 NOTES: _____
 FIXTURE TYPE: _____
 PROJECT: _____

DIMENSIONS



Weight: 5 lbs.

WARRANTY

- dLUs listed for wet locations in ambient temperatures from -40°C to 40°C (40°F to 104°F).
- IP65 rated for ingress protection.
- Lens is IK08 rated for impact.
- DLC premium approved for Fuel Pump and Parking Garage categories.
- Complies with FCC Part 15, class B.
- Complies with IEC/EN61000-4-5, input transient surge immunity protection (4kV).
- 5-year warranty on all electronics and housing.

ORDERING INFORMATION

Series	Nominal Lumen Output (Selectable)	Kelvin Selectable	Occupancy Sensor	Housing Color	Accessories (Order Separately)
CP	10L = 10,000/8,000/7,000	LKFS = 3000K/4000K/5000K	ODS ^{1,2} = Microwave occupancy, dimming, & daylight sensor (factory installed) Blank = No sensor	BRZ = Bronze WHI = White	MWAVEDHS-REM = Sensor remote control

¹Remote control Required for programming (sold separately).
²Default sensor settings: detection area = 100%, hold time = 20 minutes, stand-by period = 0 seconds, stand-by dimming level = 10%, daylight threshold = disabled
³Maximum mounting height = 49 feet.

LEDALUX - a division of Mule Lighting, Inc. • 46 Baker Street Providence, RI 02905 • 800 556-7690 P 401 941-2929 F • www.LEDALUX.com

SITE LIGHT FIXTURE 'SP'

LEDALUX CP-LKFS Lumen and Kelvin Field Selectable Canopy

L70 44,000 Hours

ELECTRICAL DATA

Series	Measurements	Low Lumens			Mid Lumens			High Lumens		
		3000K	4000K	5000K	3000K	4000K	5000K	3000K	4000K	5000K
CP-10L-LKFS	Lumens	6821	6962	7228	7800	8248	8312	9297	10,506	9967
	Watts	48	43	47	57	51	57	73	69	73
	Efficacy	143	163	152	137	161	147	127	152	136
	Input Current (A)	120V = 0.40A 240V = 0.20A	120V = 0.36A 240V = 0.18A	120V = 0.39A 240V = 0.20A	120V = 0.48A 240V = 0.24A	120V = 0.43A 240V = 0.21A	120V = 0.48A 240V = 0.24A	120V = 0.61A 240V = 0.30A	120V = 0.58A 240V = 0.28A	120V = 0.61A 240V = 0.30A
		277V = 0.17A	277V = 0.16A	277V = 0.17A	277V = 0.21A	277V = 0.18A	277V = 0.21A	277V = 0.26A	277V = 0.25A	277V = 0.26A

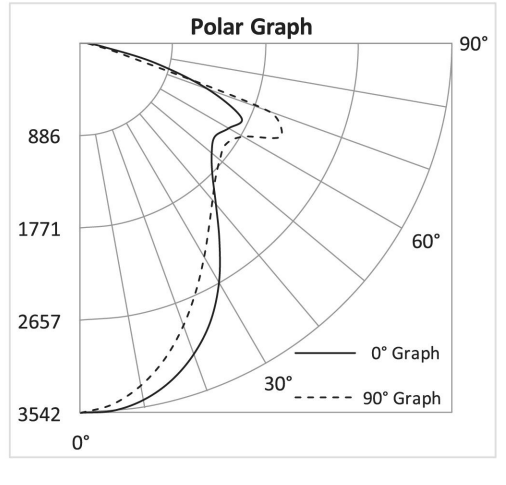
PHOTOMETRIC DATA

CP-10L-LKFS Luminaire Data

Description	Canopy 10L5K - LKFS
Total Lumens	9,993
Input Wattage	73
Efficacy (lm/W)	137
Spacing Criterion (0-180°)	1.14
Spacing Criterion (90-270°)	1.04

Zonal Lumen Summary

Zone	Lumens	%Flux
0-20°	1,245	12.5%
0-30°	2,530	25.3%
0-40°	3,946	39.5%
20-50°	4,143	41.5%
40-70°	4,839	48.4%
0-60°	6,942	69.5%
0-80°	9,872	98.8%
0-90°	9,993	100.0%
90-180°	0	0.0%
0-180°	9,993	100.0%



**COMPARK VILLAGE SOUTH
F1 AMD 2 - MULTIFAMILY
SITE PLAN**

LOT 1, COMPARK VILLAGE FILING NO. 1, AMEND NO. 2
 SOUTH HALF SECTION 6, TOWNSHIP 6 SOUTH, RANGE 66 WEST OF THE 6TH PRINCIPAL MERIDIAN
 TOWN OF PARKER, COUNTY OF DOUGLAS, STATE OF COLORADO

PARKER
COLORADO

Final Document
 Subject To Conditions In Approval Letter

APPROVED DATE: 06/18/2025

Planning Approval By: S. Nerger

PROJECT NUMBER
65120950

DRAWN BY
TV

DATE
6/3/2025

REVISIONS

1	RFI 21
2	CAR PORTS
3	PHOTOMETRICS

McGraw-Edison Impact Elite LED

Ordering Information
 SAMPLE NUMBER: ISC-SA1F-740-U-T3-BZ

Product Family	Light Engine Configuration	Drive Current	Color Temperature	Voltage	Distribution	Finish
ISC-Elite LED Small Cylinder	SA1-F Square	A-130mA B-100mA C-80mA E-100mA F-120mA ¹	722-700K, 2200K 727-700K, 2700K 728-700K, 3000K 729-700K, 3500K 730-700K, 4000K 830-800K, 3000K AMB-Ambie, 5000K ¹	0-120/277V E1 120V 2-208V 4-277V 0-140V ¹ 0-147V ¹	T2-Type II T3-Type III T4-Type IV Forward Throw T4W-Type IV Wide SL2-Type II w/Spill Control SL3-Type III w/Spill Control SL4-Type IV w/Spill Control SL5-SP ² Spill Light Eliminator Left SL6-SP ² Spill Light Eliminator Right RW-Rectangular Wide Type I	AP-Grey BK-Black DP-Dark Platinum DM-Diaphane Metallic WH-White

Options (Add as Suffix): MA-55°C High Ambient, AMB-After Hours Dim, A-After Hours Dim, B-After Hours Dim, C-After Hours Dim, D-After Hours Dim, E-After Hours Dim, F-After Hours Dim, G-After Hours Dim, H-After Hours Dim, I-After Hours Dim, J-After Hours Dim, K-After Hours Dim, L-After Hours Dim, M-After Hours Dim, N-After Hours Dim, O-After Hours Dim, P-After Hours Dim, Q-After Hours Dim, R-After Hours Dim, S-After Hours Dim, T-After Hours Dim, U-After Hours Dim, V-After Hours Dim, W-After Hours Dim, X-After Hours Dim, Y-After Hours Dim, Z-After Hours Dim.

Project	Category #	Type

Prepared by	Notes	Date

McGraw-Edison Impact Elite LED

Wall Mount Luminaire



Interactive Menu

- Ordering Information page 2
- Product Specifications page 2
- Energy and Performance Data page 3
- Control Options page 4

Product Certifications



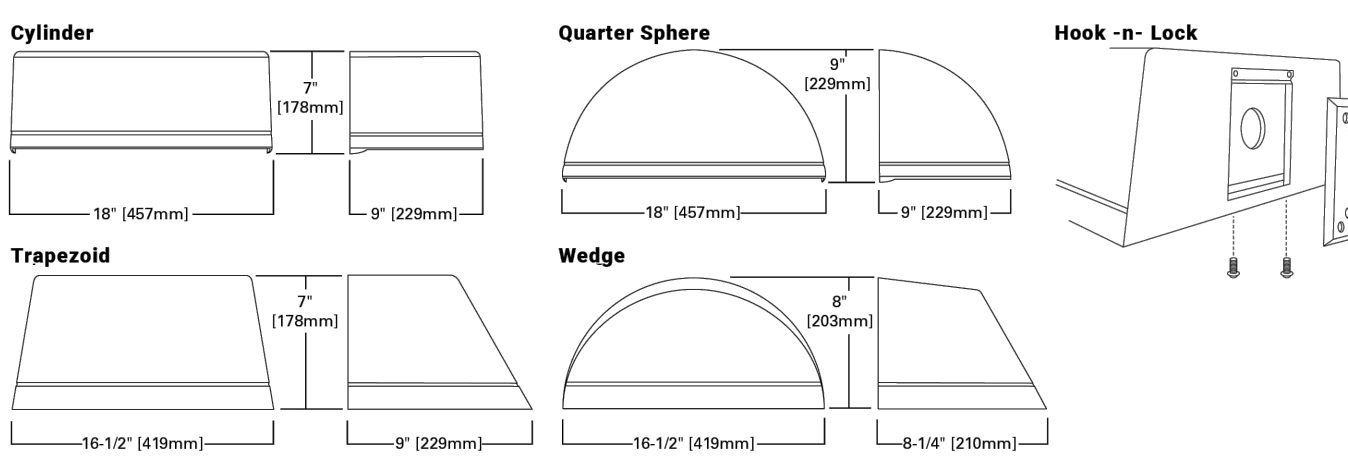
Quick Facts

- 10 Optical Distributions
- Lumen packages range from 2,459 to 8,123 (20W - 66W)
- Efficacy up to 143 lumens per watt

Connected Systems

- WaveLinx
- Enlighted

Dimensional Details



Cylinder: 18" (457mm) x 9" (229mm) x 7" (178mm)

Quarter Sphere: 18" (457mm) x 9" (229mm) x 9" (229mm)

Trapezoid: 16-1/2" (419mm) x 9" (229mm) x 7" (178mm)

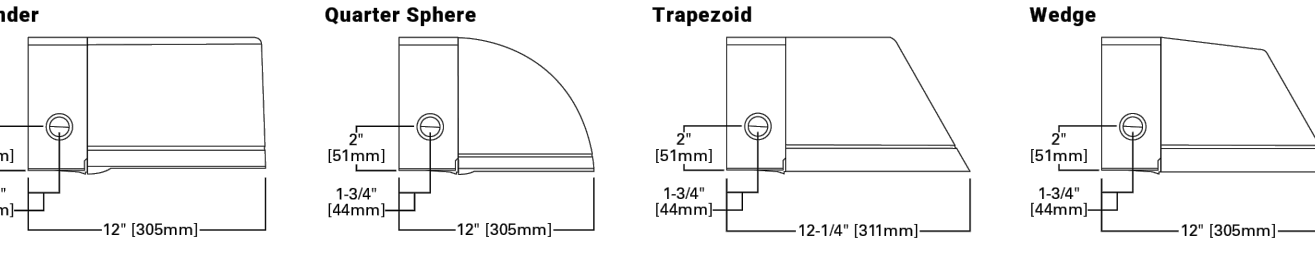
Wedge: 16-1/2" (419mm) x 8" (203mm) x 8-1/4" (210mm)

Hook-n-Lock mounting mechanism shown.

COOPER Lighting Solutions

FS500046EN page 1 April 12, 2021 1:28 PM

Thruway Back Box



Product Specifications

Construction

- Heavy wall, die-cast aluminum housing and removable hinged door frame
- Optional tamper-resistant fasteners offer vandal resistant access

Optics

- High efficiency injection-molded AccuLED optics technology
- 10 optical distributions
- DA Certified (3000K CCT and warmer only)

Electrical

- Standard with 0-10V dimming
- Standard with Cooper Lighting Solutions proprietary circuit module designed to withstand 10kV of transient line surge

Finish

- Super durable TGIC polyester powder coat paint, 2.5 mil nominal thickness
- RAL and custom color matches available
- Coastal Construction (CC) option available

Warranty

- Five year limited warranty, consult website for details. www.cooperlighting.com/legal

Mounting

- Utilizes "Hook-N-Lock" mounting mechanism, securing to a gasketed and zinc plated mounting attachment
- Two black oxide coated Allen set screws concealed but accessible from below

COOPER LIGHTING SOLUTIONS

FS500046EN page 2 April 12, 2021 1:28 PM

SITE LIGHT FIXTURE 'SF'

SITE LIGHT FIXTURE SCHEDULE

TYPE	SERVES	DESCRIPTION	MANUFACTURER CATALOG NO.	LAMPS	QUANTITY	NOTES
SA1	SITE	POLE MOUNTED FIXTURE	COOPER #PRV-C15-730-T5-SPB2	52	1	20'
SA2	SITE	POLE MOUNTED FIXTURE	COOPER #PRV-C15-730-T3-SPB2	52	24	20'
SA3	SITE	POLE MOUNTED FIXTURE	COOPER #PRV-C15-730-T3-SPB2 (DOUBLE)	52	4	20'
SA4	SITE	POLE MOUNTED FIXTURE	COOPER #PRV-C80-730-T4-SPB2	217	3	20'
SB	SITE	POLE MOUNTED FIXTURE	COOPER #PRV-C10-730-T3-SPB2	34.6	44	10'
SC	SITE	BOLLARD	METEOR #SP018-30K-BLK-WD-4S	0.7	10	10'
SF	SITE	WALL MOUNTED	COOPER #ST-SA1F-730-U-(T4W OR T4FT)-BK-SPB2	66	4	15'
SP	SITE	CARPORT MOUNTED	LEDALUX #CP-8,000-3000K	57	25	-
POLE (SA# SB)	SITE	POLE	HAPCO # (10 OR 20)-B-4-(D190 OR D218)-BA	-	76	10' AND 20'

REFER TO SITE PLAN SYMBOLS AND LIGHTING TAGS FOR LIGHT FIXTURE MOUNTING AND NUMBER OF FIXTURES PER POLE

SHEET TITLE
LIGHT FIXTURE
SPEC SHEETS

SHEET NUMBER
53