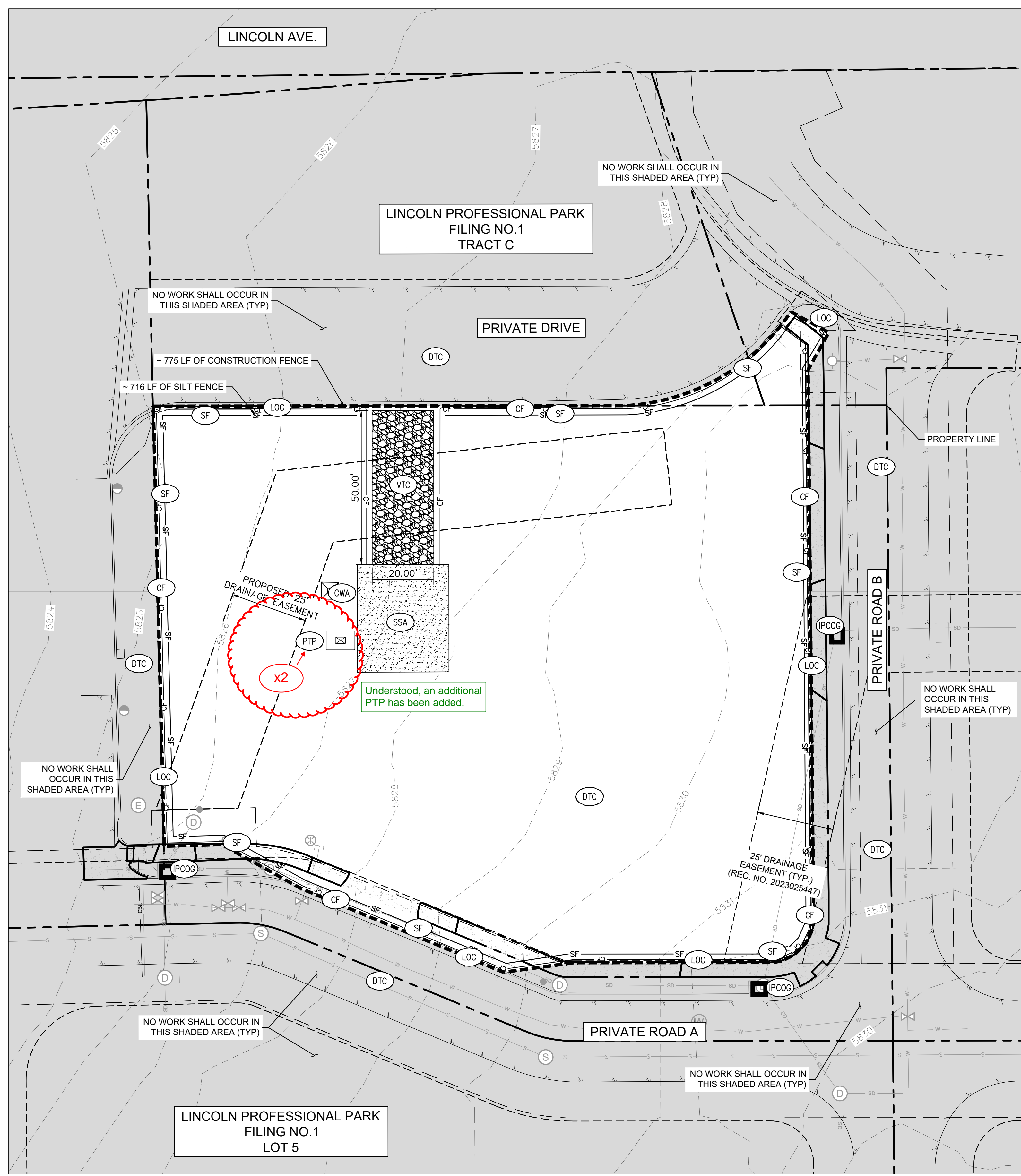


THIS DOCUMENT, TOGETHER WITH THE CONCEPTS AND DESIGNS PRESENTED HEREIN, AS AN INSTRUMENT OF SERVICE, IS INTENDED ONLY FOR THE SPECIFIC PURPOSE AND CLIENT FOR WHICH IT WAS PREPARED. REUSE OF AND IMPROPER RELIANCE ON THIS DOCUMENT WITHOUT WRITTEN AUTHORIZATION AND ADAPTATION BY KIMLEY-HORN AND ASSOCIATES, INC. SHALL BE WITHOUT LIABILITY TO KIMLEY-HORN AND ASSOCIATES, INC.



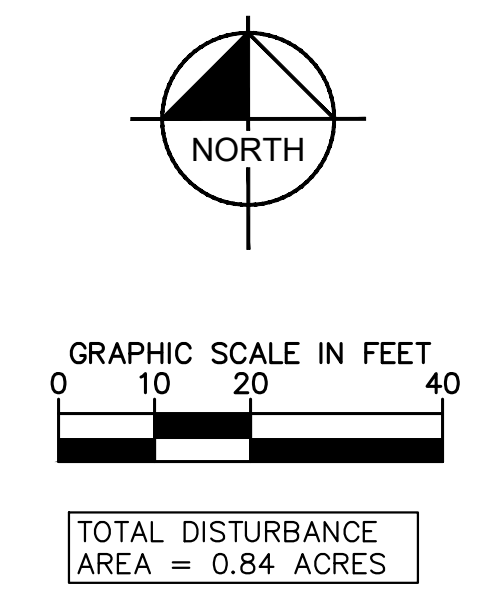
LEGEND

PROPERTY LINE	---
CONSTRUCTION FENCE	CF
CONCRETE WASHOUT	CWA
DEBRIS TRASH CONTROL	DTC
INLET PROTECTION FOR AREA INLETS NOT IN PAVEMENT	IPAN
INLET PROTECTION, CURB ON-GRADE, TYPE R INLET	IPCOG
INLET PROTECTION, CURB ON SUMP, TYPE R INLET	IPCOS
LIMITS OF CONSTRUCTION	LOC
PORTABLE TOILET PROTECTION	PTP
MASONRY WORK PROTECTION	MWP
STABILIZED STAGING AREA	SCL
VEHICLE TRACKING CONTROL	SF
VEHICLE TRACKING CONTROL	SMC
VEHICLE TRACKING CONTROL	SP
VEHICLE TRACKING CONTROL	SR
VEHICLE TRACKING CONTROL	SSA
VEHICLE TRACKING CONTROL	STP
VEHICLE TRACKING CONTROL	VTC

Add and Use Parker's Complete Legend of Keys/Symbols

Understood, Town of Parker's CBMP details used in legend and where relevant on plans.

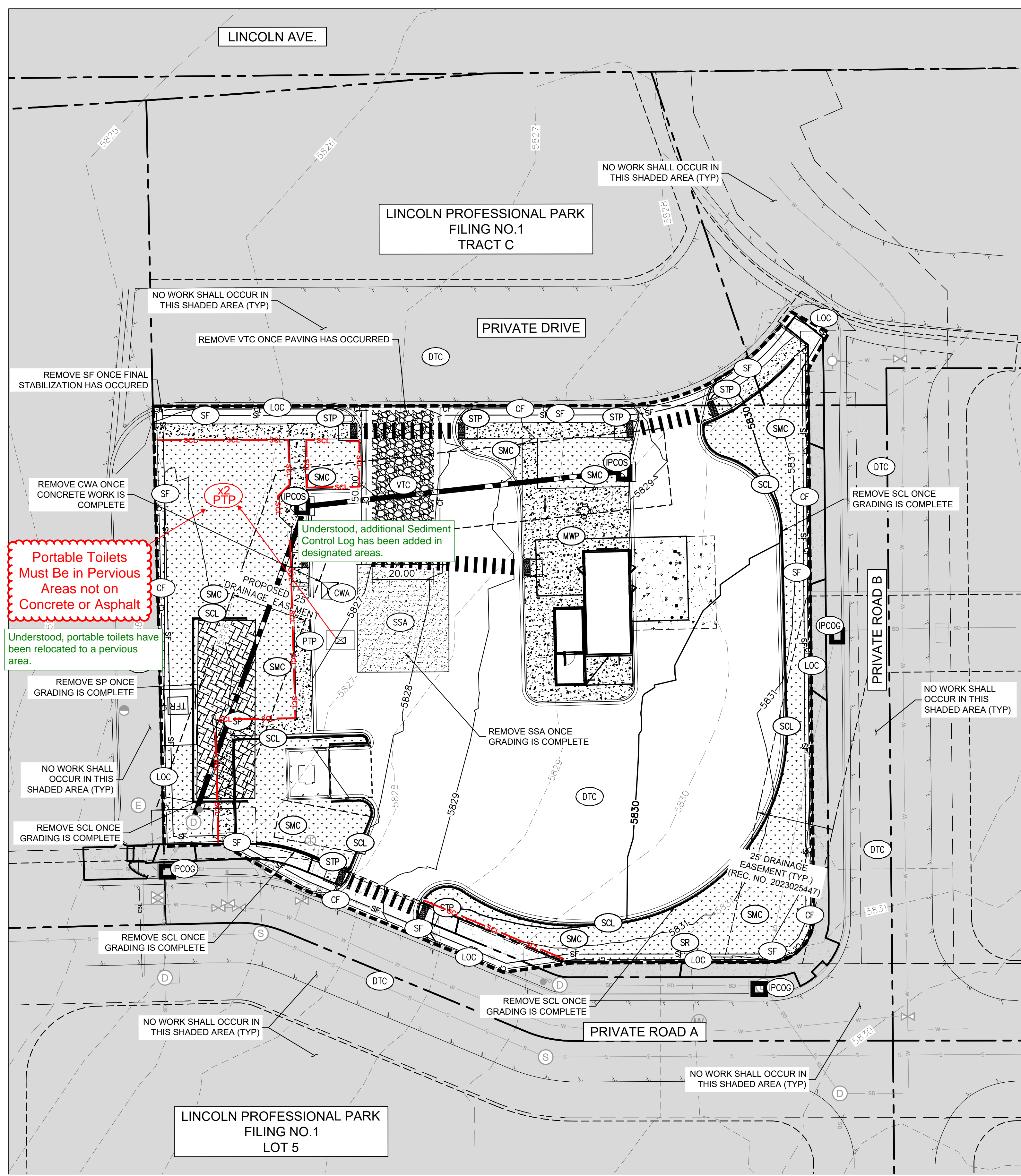
- ### NOTES:
- THE INTENT OF THIS PLAN IS TO IDENTIFY THE EROSION CONTROL PRACTICES REQUIRED. THE CONTRACTOR SHALL REFERENCE ADDITIONAL CONSTRUCTION PLANS FOR DEMOLITION OF EXISTING AND CONSTRUCTION OF PROPOSED IMPROVEMENTS.
 - ADJACENT STREETS AND SIDEWALK SHALL BE KEPT CLEAN AND FREE OF SEDIMENT AND/OR DEBRIS AT ALL TIMES. CONTRACTOR SHALL PERFORM STREET SWEEPING AS NEEDED DURING ACTIVE TRACKING.
 - TEMPORARY STABILIZATION (TS) SHALL BE IMPLEMENTED WITHIN THE DISTURBED PORTIONS OF THE PROJECT SITE NO LATER THAN 14 DAYS FOLLOWING THE CEASE OF CONSTRUCTION ACTIVITIES WITHIN THE DISTURBED AREAS.
 - PERMANENT STABILIZATION (PS) MAY BE USED WITHIN AREAS OF TEMPORARY STABILIZATION (TS) AT THE CONTRACTOR'S DISCRETION. STABILIZATION SHALL BE APPLIED IN ACCORDANCE WITH APPLICABLE TEMPORARY STABILIZATION SEQUENCING REQUIREMENTS.
 - CONTRACTOR SHALL UTILIZE ROLLED EROSION CONTROL PRODUCTS ON ALL SLOPES 4H:1V OR GREATER TO ACHIEVE REQUIRED STABILIZATION.
 - CONTRACTOR SHALL MAINTAIN ACCEPTABLE EROSION CONTROL PRACTICES WITHIN THE ANTICIPATED LIMITS OF CONSTRUCTION IDENTIFIED HEREIN. BEST MANAGEMENT PRACTICES AND STABILIZATION SHALL BE COMPLETED AS IDENTIFIED HEREIN IN ACCORDANCE WITH TOWN OF PARKER REQUIREMENTS.
 - CONTRACTOR TO UPDATE EROSION CONTROL LIVING DOCUMENT AS ADJUSTMENTS ARE MADE ON SITE.
 - THIS STORMWATER MANAGEMENT PLAN SHOWS THE REQUIRED SITE EROSION CONTROL BEST MANAGEMENT PRACTICES BASED UPON REVIEW OF EXISTING SITE TOPOGRAPHY AND PROPOSED SITE CONDITIONS. THE OPERATOR MAY MODIFY INLET PROTECTION MEASURES SHOULD ACTUAL SITE CONDITIONS VARY. THE STORMWATER MANAGEMENT PLAN AND NARRATIVE SHALL BE AMENDED TO REFLECT SAID CHANGES.
 - NO WORK SHALL OCCUR OUTSIDE THE DESIGNATED LIMITS OF CONSTRUCTION.
 - LOT PROTECTION (LP) IS REQUIRED ON COMMERCIAL LOTS WHEN LANDSCAPING IS NOT POSSIBLE.
 - ALL PERIMETER PROTECTION TO REMAIN IN PLACE UNTIL THE SITE IS FULLY STABILIZED.
 - THE VTC PAD FOR A CWA DOES NOT NEED TO CONFORM TO THE FORMAL VTC DETAIL.
 - THE TRUE LOCATION OF THE CWA MAY BE DETERMINED BY THE TOWN AND THE ECS.
 - LOT PROTECTION (LP) IS REQUIRED ON COMMERCIAL LOTS WHEN COMPLETION OF LANDSCAPING IS NOT POSSIBLE AND PRIOR TO ISSUANCE OF A TEMPORARY CERTIFICATE OF OCCUPANCY.
 - THE TRUE LOCATION OF THE PORTABLE TOILET PROTECTION (PTP) MAY BE DETERMINED BY THE TOWN AND THE ECS.
 - MASONRY WORK PROTECTION IS REQUIRED FOR CONSTRUCTION OF BUILDINGS.
 - ANY ONSITE BULK FUEL STORAGE REQUIRES A FIRE LIFE SAFETY PERMIT FROM THE TOWN OF PARKER PRIOR TO INSTALLATION.



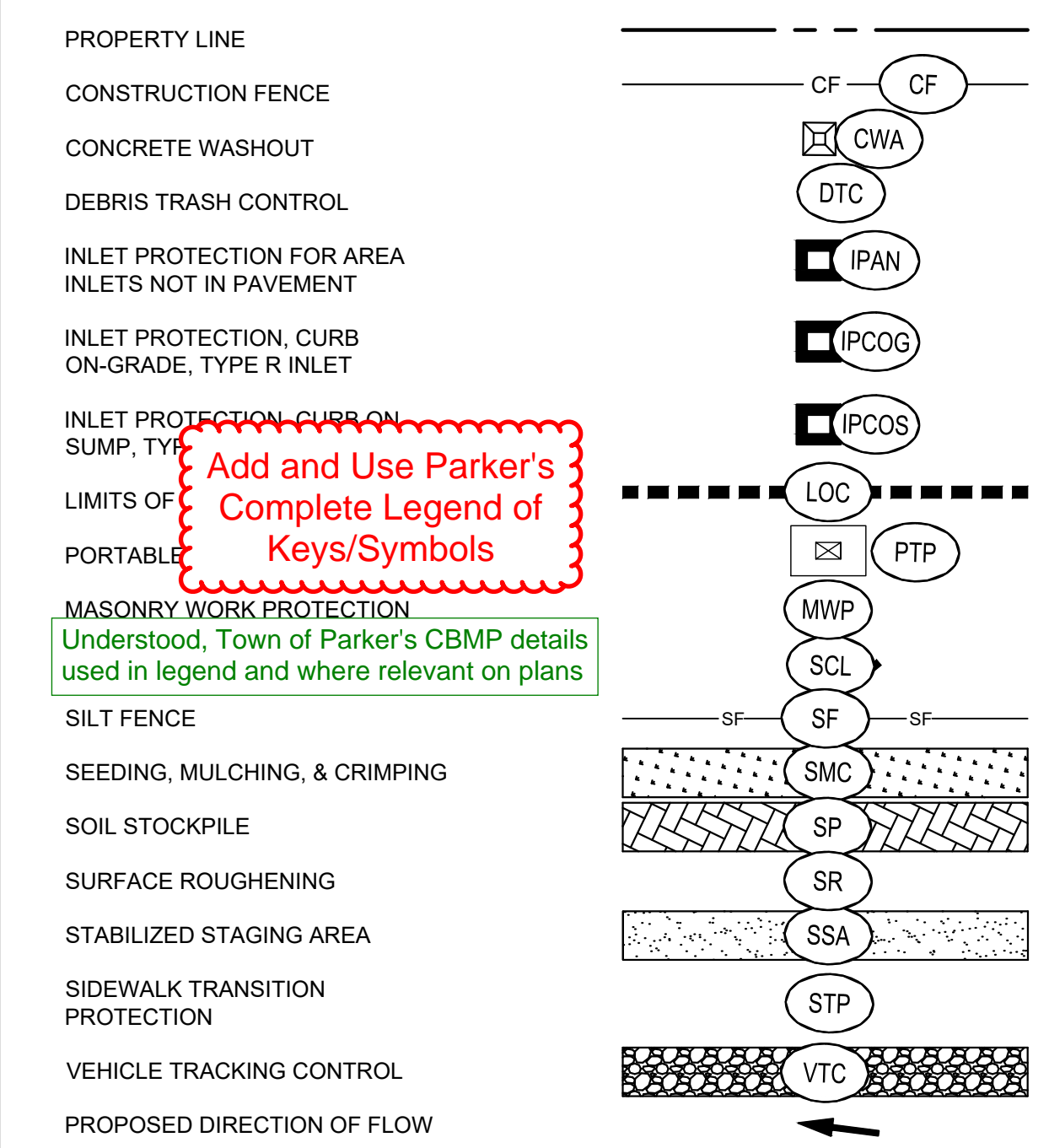
<h1 style="margin: 0;">Kimley»Horn</h1> <p style="font-size: small; margin: 0;">© 2025 KIMLEY-HORN AND ASSOCIATES, INC. 6200 South Syracuse Way, Suite 300 Greenwood, Colorado 80111 (303) 228-2300</p>	<p style="font-size: x-small; margin: 0;">NO. _____ BY DATE APPR</p> <p style="font-size: x-small; margin: 0;">REVISION _____</p>
<p style="margin: 0;">LINCOLN PROFESSIONAL PARK FILING NO. 1</p> <p style="margin: 0;">LOT 2, PARKER, CO</p> <p style="margin: 0;">7 BREW - CONSTRUCTION DOCUMENTS</p> <p style="margin: 0;">CBMP INITIAL</p>	
<p style="font-size: x-small; margin: 0;">DESIGNED BY: MMR</p> <p style="font-size: x-small; margin: 0;">DRAWN BY: KNP</p> <p style="font-size: x-small; margin: 0;">CHECKED BY: KEW</p> <p style="font-size: x-small; margin: 0;">DATE: 12/2/25</p>	
<p style="font-size: x-small; margin: 0;">PRELIMINARY</p> <p style="font-size: x-small; margin: 0;">FOR REVIEW ONLY</p> <p style="font-size: x-small; margin: 0;">NOT FOR CONSTRUCTION</p> <p style="font-size: x-small; margin: 0;">Kimley»Horn</p> <p style="font-size: x-small; margin: 0;">Kimley-Horn and Associates, Inc.</p>	
<p style="font-size: x-small; margin: 0;">PROJECT NO.</p> <p style="font-size: x-small; margin: 0;">296237001</p> <p style="font-size: x-small; margin: 0;">SHEET</p> <p style="font-size: x-small; margin: 0;">296237001_CBMP</p> <p style="font-size: x-small; margin: 0;">C2.1</p>	



THIS DOCUMENT, TOGETHER WITH THE CONCEPTS AND DESIGNS PRESENTED HEREIN, AS AN INSTRUMENT OF SERVICE, IS INTENDED ONLY FOR THE SPECIFIC PURPOSE AND CLIENT FOR WHICH IT WAS PREPARED. REUSE OF AND IMPROPER RELIANCE ON THIS DOCUMENT WITHOUT WRITTEN AUTHORIZATION AND ADAPTATION BY KIMLEY-HORN AND ASSOCIATES, INC. SHALL BE WITHOUT LIABILITY TO KIMLEY-HORN AND ASSOCIATES, INC.

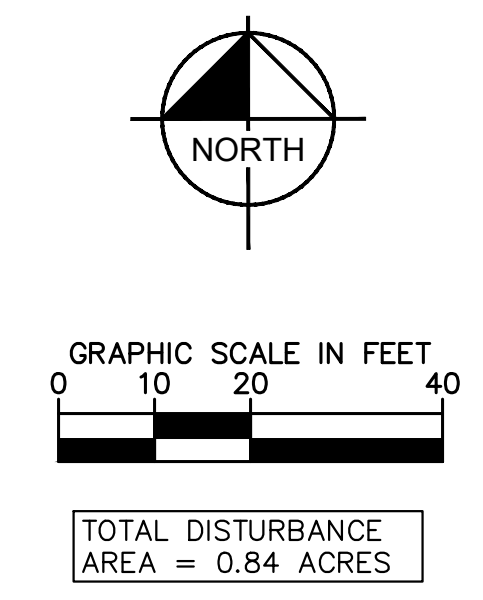


LEGEND



NOTES:

- THE INTENT OF THIS PLAN IS TO IDENTIFY THE EROSION CONTROL PRACTICES REQUIRED. THE CONTRACTOR SHALL REFERENCE ADDITIONAL CONSTRUCTION PLANS FOR DEMOLITION OF EXISTING AND CONSTRUCTION OF PROPOSED IMPROVEMENTS.
- ADJACENT STREETS AND SIDEWALK SHALL BE KEPT CLEAN AND FREE OF SEDIMENT AND/OR DEBRIS AT ALL TIMES. CONTRACTOR SHALL PERFORM STREET SWEEPING AS NEEDED DURING ACTIVE TRACKING.
- TEMPORARY STABILIZATION (TS) SHALL BE IMPLEMENTED WITHIN THE DISTURBED PORTIONS OF THE PROJECT SITE NO LATER THAN 14 DAYS FOLLOWING THE CEASE OF CONSTRUCTION ACTIVITIES WITHIN THE DISTURBED AREAS.
- PERMANENT STABILIZATION (PS) MAY BE USED WITHIN AREAS OF TEMPORARY STABILIZATION (TS) AT THE CONTRACTOR'S DISCRETION. STABILIZATION SHALL BE APPLIED IN ACCORDANCE WITH APPLICABLE TEMPORARY STABILIZATION SEQUENCING REQUIREMENTS.
- CONTRACTOR SHALL UTILIZE ROLLED EROSION CONTROL PRODUCTS ON ALL SLOPES 4:1V OR GREATER TO ACHIEVE REQUIRED STABILIZATION.
- CONTRACTOR SHALL MAINTAIN ACCEPTABLE EROSION CONTROL PRACTICES WITHIN THE ANTICIPATED LIMITS OF CONSTRUCTION IDENTIFIED HEREIN. BEST MANAGEMENT PRACTICES AND STABILIZATION SHALL BE COMPLETED AS IDENTIFIED HEREIN IN ACCORDANCE WITH TOWN OF PARKER REQUIREMENTS.
- CONTRACTOR TO UPDATE EROSION CONTROL LIVING DOCUMENT AS ADJUSTMENTS ARE MADE ON SITE.
- THIS STORMWATER MANAGEMENT PLAN SHOWS THE REQUIRED SITE EROSION CONTROL BEST MANAGEMENT PRACTICES BASED UPON REVIEW OF EXISTING SITE TOPOGRAPHY AND PROPOSED SITE CONDITIONS. THE OPERATOR MAY MODIFY INLET PROTECTION MEASURES SHOULD ACTUAL SITE CONDITIONS VARY. THE STORMWATER MANAGEMENT PLAN AND NARRATIVE SHALL BE AMENDED TO REFLECT SAID CHANGES.
- NO WORK SHALL OCCUR OUTSIDE THE DESIGNATED LIMITS OF CONSTRUCTION.
- LOT PROTECTION (LP) IS REQUIRED ON COMMERCIAL LOTS WHEN LANDSCAPING IS NOT POSSIBLE.
- ALL PERIMETER PROTECTION TO REMAIN IN PLACE UNTIL THE SITE IS FULLY STABILIZED.
- THE VTC PAD FOR A CWA DOES NOT NEED TO CONFORM TO THE FORMAL VTC DETAIL.
- THE TRUE LOCATION OF THE CWA MAY BE DETERMINED BY THE TOWN AND THE ECS.
- LOT PROTECTION (LP) IS REQUIRED ON COMMERCIAL LOTS WHEN COMPLETION OF LANDSCAPING IS NOT POSSIBLE AND PRIOR TO ISSUANCE OF A TEMPORARY CERTIFICATE OF OCCUPANCY.
- THE TRUE LOCATION OF THE PORTABLE TOILET PROTECTION (PTP) MAY BE DETERMINED BY THE TOWN AND THE ECS.
- MASONRY WORK PROTECTION IS REQUIRED FOR CONSTRUCTION OF BUILDINGS.
- ANY ONSITE BULK FUEL STORAGE REQUIRES A FIRE LIFE SAFETY PERMIT FROM THE TOWN OF PARKER PRIOR TO INSTALLATION.



NO.	REVISION	BY	DATE	APPR

Kimley»Horn
 © 2025 KIMLEY-HORN AND ASSOCIATES, INC.
 6200 South Syracuse Way, Suite 300
 Greenwood, Colorado 80111 (303) 228-2300

DESIGNED BY: MMR
 DRAWN BY: KNP
 CHECKED BY: KEW
 DATE: 12/2/25

LINCOLN PROFESSIONAL PARK FILING NO. 1
 LOT 2, PARKER, CO
 7 BREW - CONSTRUCTION DOCUMENTS
 CBMP INTERIM-FINAL

PRELIMINARY
 FOR REVIEW ONLY
 NOT FOR
 CONSTRUCTION
Kimley»Horn
 Kimley-Horn and Associates, Inc.

PROJECT NO.
 296237001
 SHEET
 296237001_CBMP
 C2.2



