



**Iron Woman**  
Construction and  
Environmental Services LLC

# IRON WOMAN CONSTRUCTION & ENVI

Compark Village South F1  
Belford & Peoria  
Parker, CO 80134

**To:**  
Greg McIlvain  
Belford North Metro District  
8390 E Crescent Parkway  
Suite 300  
Greenwood Village, CO 80111

**From:**  
Liz Resetar  
Iron Woman Construction  
5680 Emerson St  
Denver, CO 80216

## SUBMITTAL INFORMATION

Submittal No: 17  
Submittal Description: Conspan Foundation Rebar Shop Drawings  
Date Submitted: 04/30/2021  
**Response Requested By:** 05/05/2021  
Date Response Received:

## PRODUCT DATA

ITEM #	DESCRIPTION	DWG / SPEC #	SECTION #	ITEM STATUS
	Conspan Foundation Rebar Shop Drawings			New

### Remarks:

Conspan Foundation Rebar Shop Drawings

***I certify that the above submitted item(s) have been reviewed in detail and are correct and in strict conformance with the contract drawings and specifications except as otherwise noted.***

## NO STRUCTURAL REVIEW

SUBMITTAL REVIEW & APPROVAL			
Reviewed By:	Engineer's Approval:		
Date:			
Status:	<input type="radio"/> Approved	<input type="radio"/> Approved as Noted	<input type="radio"/> Rejected
Comments:			

- No Exception Taken
- Approved as Noted
- Rejected
- Revise and Resubmit

This review is only for general conformance with the design concept of the project and general compliance with the information given in the Contract Documents. Corrections or comments made on the submittal during this review do not relieve contractor from compliance with the requirements of the plans and specifications. Approval of a specific item shall not include approval of an assembly of which the item is a component. Contractor is responsible for: dimensions to be confirmed and correlated at the jobsite, information that pertains solely to the fabrication process or to the means, methods, techniques, sequences and procedures of construction; coordination of his or her Work with that of all other trades; and for performing all work in a safe and satisfactory manner.

Manhard Consulting, Ltd.

Date: 05/06/2021 By: Gary Iwata

NOTE: This Drawing Is Intended To Convey The Engineers Intent As Covered In The Contract Documents. REFER: Sec. 3.1 & 3.2 - ACI 315

NEW BILLET STEEL  
 ASTM A615 GRADE 60 UNO

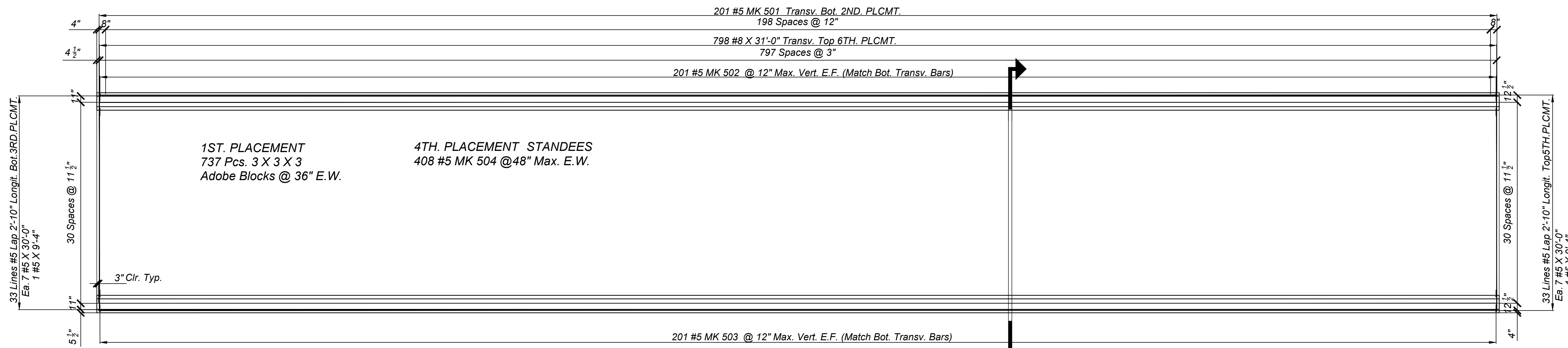
TIES & STIRRUPS  
 ASTM A615 GRADE 40

ASTM A706

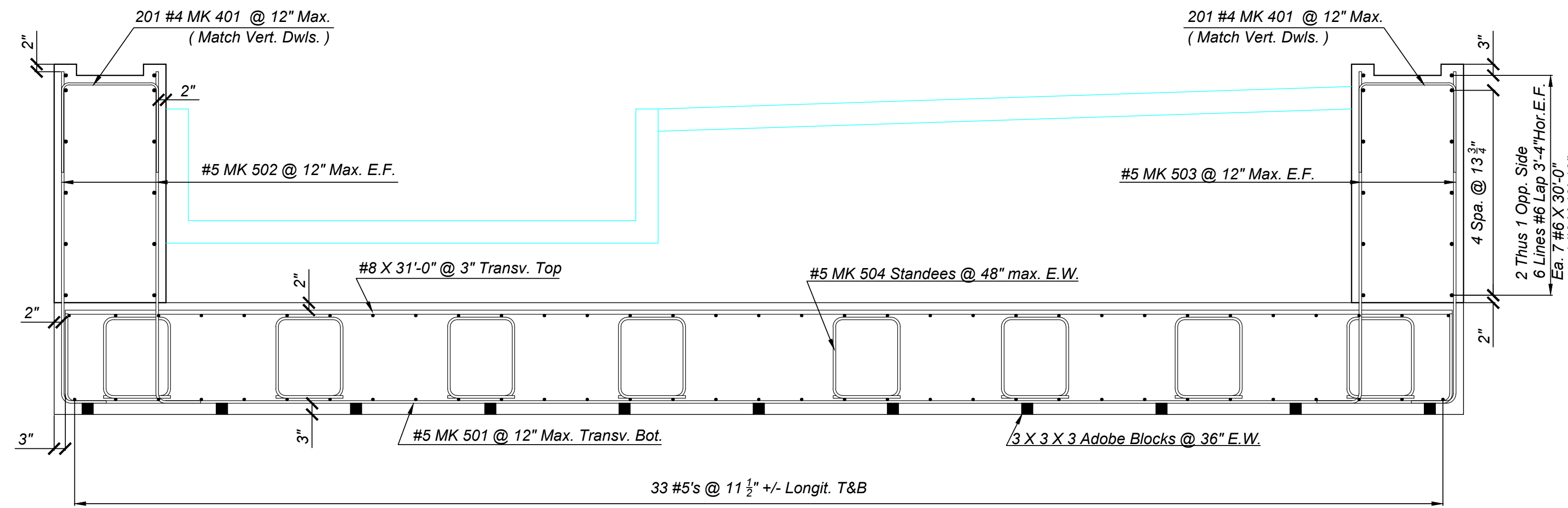
EPOXY COATED BARS

ABBREVIATIONS

- E.W. ----- Each Way
- E.F. ----- Each Face
- E.E. ----- Each End
- E.S. ----- Each Side
- F.F. ----- Far Face
- N.F. ----- Near Face
- I.F. ----- Inside Face
- O.F. ----- Outside Face
- T&B ----- Top & Bottom
- @ ----- Ctr. To Ctr.
- DP ----- Drilled Pier
- C ----- Column
- P ----- Pilaster
- F ----- Footing
- GB ----- Grade Beam
- B ----- Beam
- BB ----- Bond Beam
- MJ ----- Masonry Jamb
- MC ----- Masonry Column
- CJ ----- Control Joint
- CS ----- Construction Joint
- EJ ----- Expansion Joint
- UN ----- Unless Noted
- FB ----- Field Bend
- FA ----- Field Adjust



**BASE SLAB PLAN**

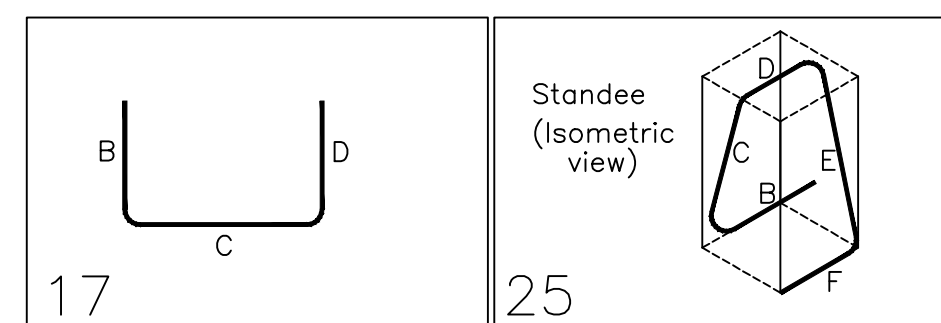


**SECTION A**

Release Number: PC01

Bar Mark	Qty	Size	Total Length	Type	'a'	'b'	'c'	'd'	'e'	'f'	'g'	'h'	'j'	'k'	'o'	'r'
401	402	#4	6'-2"	17		2'-0"	2'-2"	2'-0"								
501	201	#5	35'-0"	17		2'-0"	31'-0"	2'-0"								
502	402	#5	8'-5"	17		1'-0"	7'-5"									
503	402	#5	8'-3"	17		0'-10"	7'-5"									
504	408	#5	8'-2 1/2"	25		1'-6"	1'-10 1/4"	1'-6"	1'-10 1/4"	1'-6"		1'-9 3/4"		0'-10 3/4"		
	798	#8	31'-0"													
	462	#5	30'-0"													
	168	#6	30'-0"													
	66	#5	9'-4"													
	24	#6	12'-10"													

Bar list produced by RebarCAD 2018



PROJECT: BELFORD AVENUE BRIDGE  
 ADDRESS: Compark Village South Filing No. 1  
 PARKER, COLORADO

DESCRIPTION: COMPLETE JOB

CUSTOMER: Three Sons Construction

DESIGNER: CONTECH Engineered Solutions

Dwg. Status: PRELIMINARY FOR APPROVAL

NO.	ITEM	DATE

REVISIONS

FOR APPROVAL: 4/29/2021

DETAILER: BMS

DATE: 4/29/2021

PROJECT NO. 2021-163

PLACING DRAWING NO.

**PD-1**