

SUBMITTAL



Submittal number	98.0	Date	01/13/2020
Project	TRAILS AT CROWFOOT F1 & 9	6954 N. CROWFOOT VALLEY RD. PARKER, CO 80134	
Project number	201810		
Spec section			
Subsection		Status	Open
Current action	Submitted	Ball in court	
Topic	TCF F1 Park Playground Equipment		

Submitter	MICHAEL TOMAS SNYDER
Reviewer	
Cc	

Date submitted	01/13/2020	Submission due date	01/13/2020
Released for review	01/13/2020	Review due date	01/20/2020
Date returned		Required on site date	
Date closed			

Notes

Please see the attached ELCI Transmittal #6: Park Playground Equipment



Letter of Transmittal

To: Mike Snyder
Kelley Trucking Inc
6201 McIntyre St
Golden, CO 80403
Ph: (303)279-4150

Transmittal #: 6
Date: 1/9/2020
Job: 01-10-19013 Trails at Crowfoot Park

Subject: Submittal

- WE ARE SENDING YOU**
- | | |
|--|--|
| <input checked="" type="checkbox"/> Attached | <input type="checkbox"/> Under separate cover via the following items: |
| <input type="checkbox"/> Shop drawings | <input type="checkbox"/> Prints |
| <input type="checkbox"/> Copy of letter | <input type="checkbox"/> Change order |
| | <input type="checkbox"/> Plans |
| | <input type="checkbox"/> Specifications |
| | <input type="checkbox"/> Samples |
| | <input checked="" type="checkbox"/> Submittal |

Document Type	Copies	Date	No.	Description
Submittal	1		Playground-1 Rev 0	Park Playground Equipment

THESE ARE TRANSMITTED as checked below:

- | | | |
|--|---|---|
| <input checked="" type="checkbox"/> For approval | <input type="checkbox"/> Approved as submitted | <input type="checkbox"/> Resubmit ___ copies for approval |
| <input type="checkbox"/> For your use | <input type="checkbox"/> Approved as noted | <input type="checkbox"/> Submit ___ copies for distribution |
| <input type="checkbox"/> As requested | <input type="checkbox"/> Returned for corrections | <input type="checkbox"/> Return ___ corrected prints |
| <input type="checkbox"/> For review and comment | <input type="checkbox"/> Other | |
| <input type="checkbox"/> FOR BIDS DUE | <input type="checkbox"/> PRINTS RETURNED AFTER LOAN TO US | |

Remarks:

Copy To: Con Cockrum (Kelley Trucking Inc), Tim LaPointe (Environmental Landworks Co), Kate LaPointe (Environmental Landworks Co)

From: Jordan Salisbury (Environmental Landworks Co)

Signature: _____



Submittal

Job: 01-10-19013
Trails at Crowfoot Park
6594 N Crowfoot Valley Rd
Parker, CO 80134

Spec Section No: Playground
Submittal No: 1
Revision No: 0
Sent Date: 1/9/2020

Spec Section Title:

Submittal Title: Park Playground Equipment

Contractor:

Environmental Landworks Company

Kelley Trucking Inc
Mike Snyder

Contractor's Stamp

Architect's Stamp

Engineer's Stamp



Site Furnishings Product Submittals

Project: Trails at Crowfoot Park

Contract Job #: 19-013

Submission #: 4

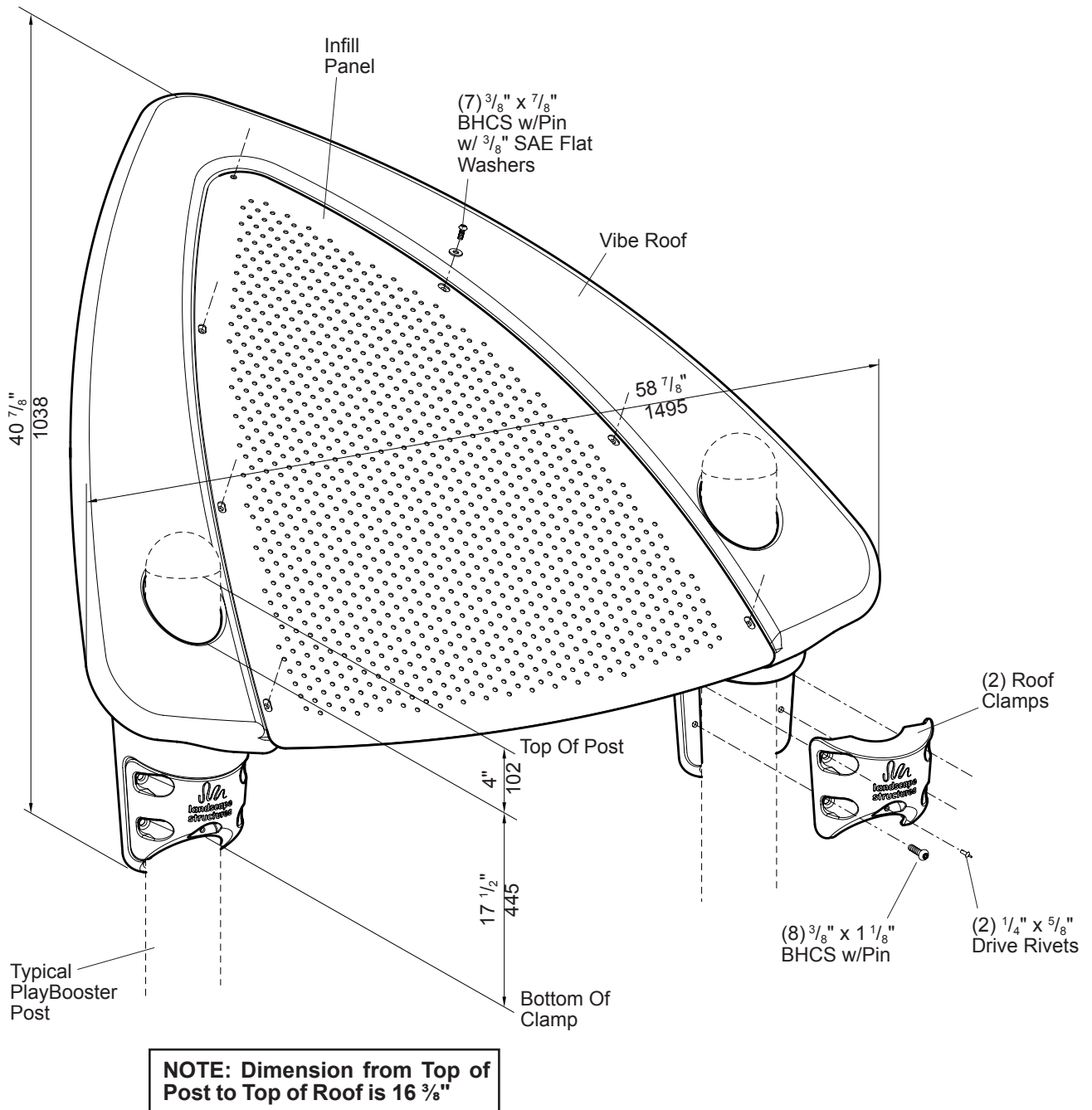
Date: 1/9/2019

DESCRIPTION	MANUFACTURER	SUPPLIER
PARK SECTION		
Playground Equipment		
Play Booster w/ Vibe Roofs #179594	Landscape Structures	Rocky Mountain Recreation
Slidewinder #124863	Landscape Structures	Rocky Mountain Recreation
Star Seeker #179009	Landscape Structures	Rocky Mountain Recreation
Clatterbridge #147424	Landscape Structures	Rocky Mountain Recreation
Sky Rail Climber #146812	Landscape Structures	Rocky Mountain Recreation
Gyro Twister #201546	Landscape Structures	Rocky Mountain Recreation
Double Swirl Poly Slide #130798	Landscape Structures	Rocky Mountain Recreation
Loop Arch #178958	Landscape Structures	Rocky Mountain Recreation
Tic Tac Toe Panel #115231	Landscape Structures	Rocky Mountain Recreation
Corkscrew Climber #180101	Landscape Structures	Rocky Mountain Recreation
Cascade Climber #179010	Landscape Structures	Rocky Mountain Recreation
Right Transfer Module #152911	Landscape Structures	Rocky Mountain Recreation
Logo Climber #179018	Landscape Structures	Rocky Mountain Recreation
Adventurescapes Design 2 Climbing Boulder #16836	Landscape Structures	Rocky Mountain Recreation
Double Bobble Spring Rider #164075	Landscape Structures	Rocky Mountain Recreation
Single Post Swing w/ Add. Bay #177332 & #177333	Landscape Structures	Rocky Mountain Recreation
Belt Seat #174018	Landscape Structures	Rocky Mountain Recreation
Full Bucket Seat #176038	Landscape Structures	Rocky Mountain Recreation
Molded Seat/Harness #177351	Landscape Structures	Rocky Mountain Recreation
Global Motion Spinner #218915	Landscape Structures	Rocky Mountain Recreation

NOTE: WORK WILL NOT BE PERFORMED WITHOUT APPROVAL

Submittal Approval:

Date:





PlayBooster® 179594 Vibe® Roof

Parts List

Part#	Description	Qty.
100610	1/4" x 5/8" Drive Rivet, AL/SST	2
177021	Vibe Roof Roto, Specify Color	1
178724	Infill Panel, Specify Color	1
178725	Roof Clamp, Specify Color	2
179611	Vibe Roof Hardware Package	1
100196	3/8" x 7/8" BHCS w/Pin, SST	7
100198	3/8" x 1 1/8" BHCS w/Pin, SST	8
100365	3/8" SAE Flat Washer, SST	7

Specifications

Infill Panel: Made from 12 GA. (.105") (3,18 mm) thick HRPO steel sheet zinc plated. Finish: ProShield®, color specified.

Roof: Rotationally molded from U.V. stabilized linear low density polyethylene, color specified.

Clamps: Cast aluminum. Finish: ProShield, color specified.

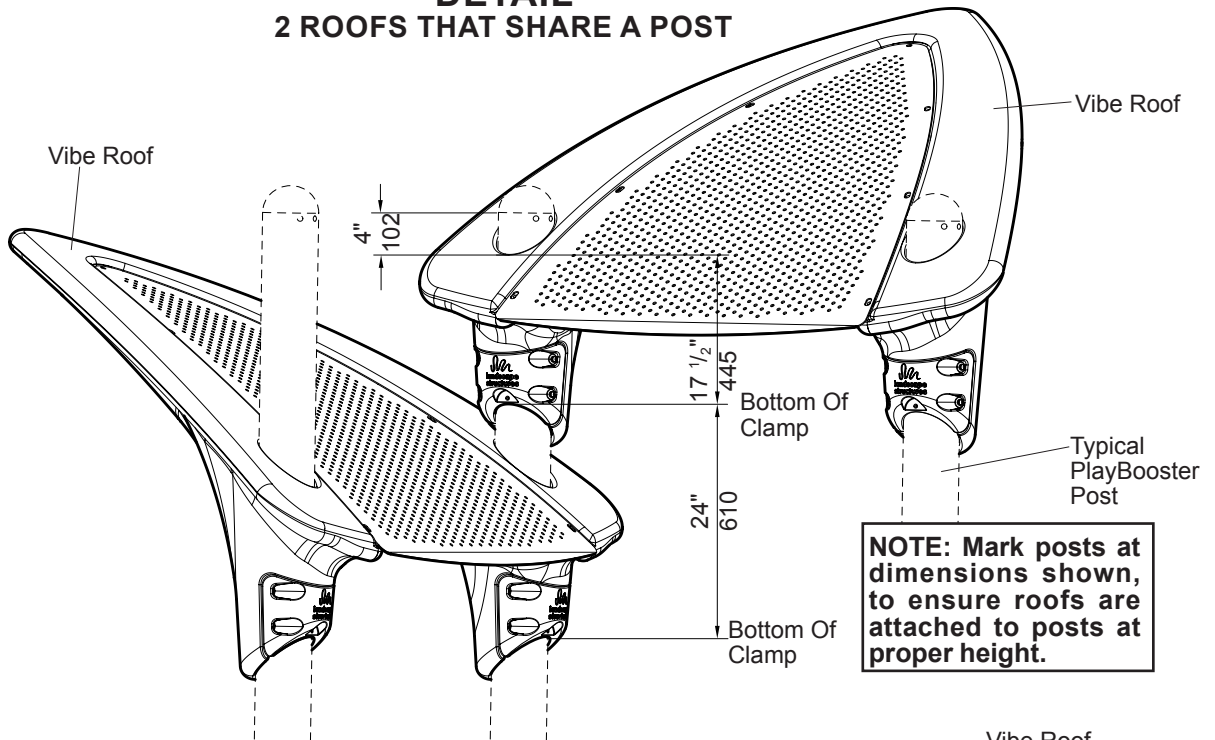
Fasteners: Primary fasteners shall be socketed and pinned tamperproof in design, stainless steel (SST) per ASTM F 879 unless otherwise indicated (see specific product installation/specifications).

Installation Time: Approx. 2 man hours per roof
Weight: 81 lbs.

Installation Instructions

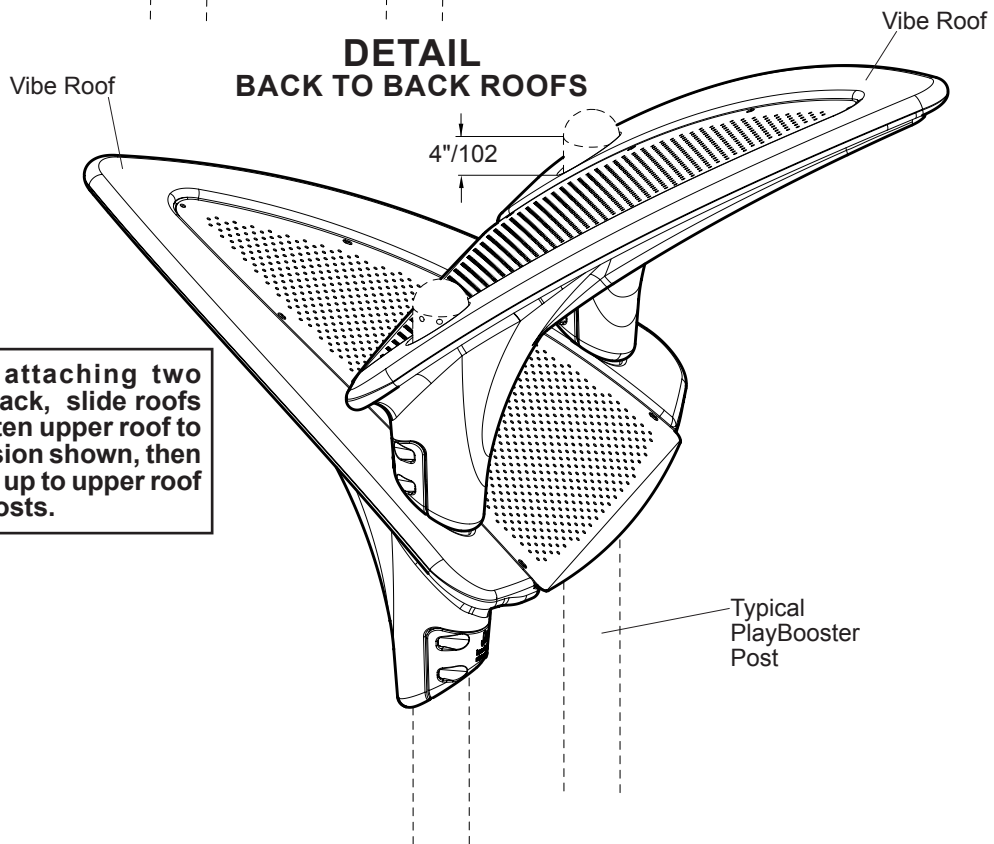
- 1) Fasten infill panel to roof, using 3/8" x 7/8" BHCS w/pin and 3/8" SAE flat washers.
- 2) Attach roof to posts at dimension shown, using roof clamps and 3/8" x 1 1/8" BHCS w/pin.
- 3) Using the predrilled 1/4" holes in roof clamps as a guide, drill 1/4" holes into posts. Insert 1/4" x 5/8" drive rivets into drilled holes and tap pin in until it is flush with rivet head.
- 4) Install protective surfacing before users are allowed to play on the structure.

**DETAIL
2 ROOFS THAT SHARE A POST**



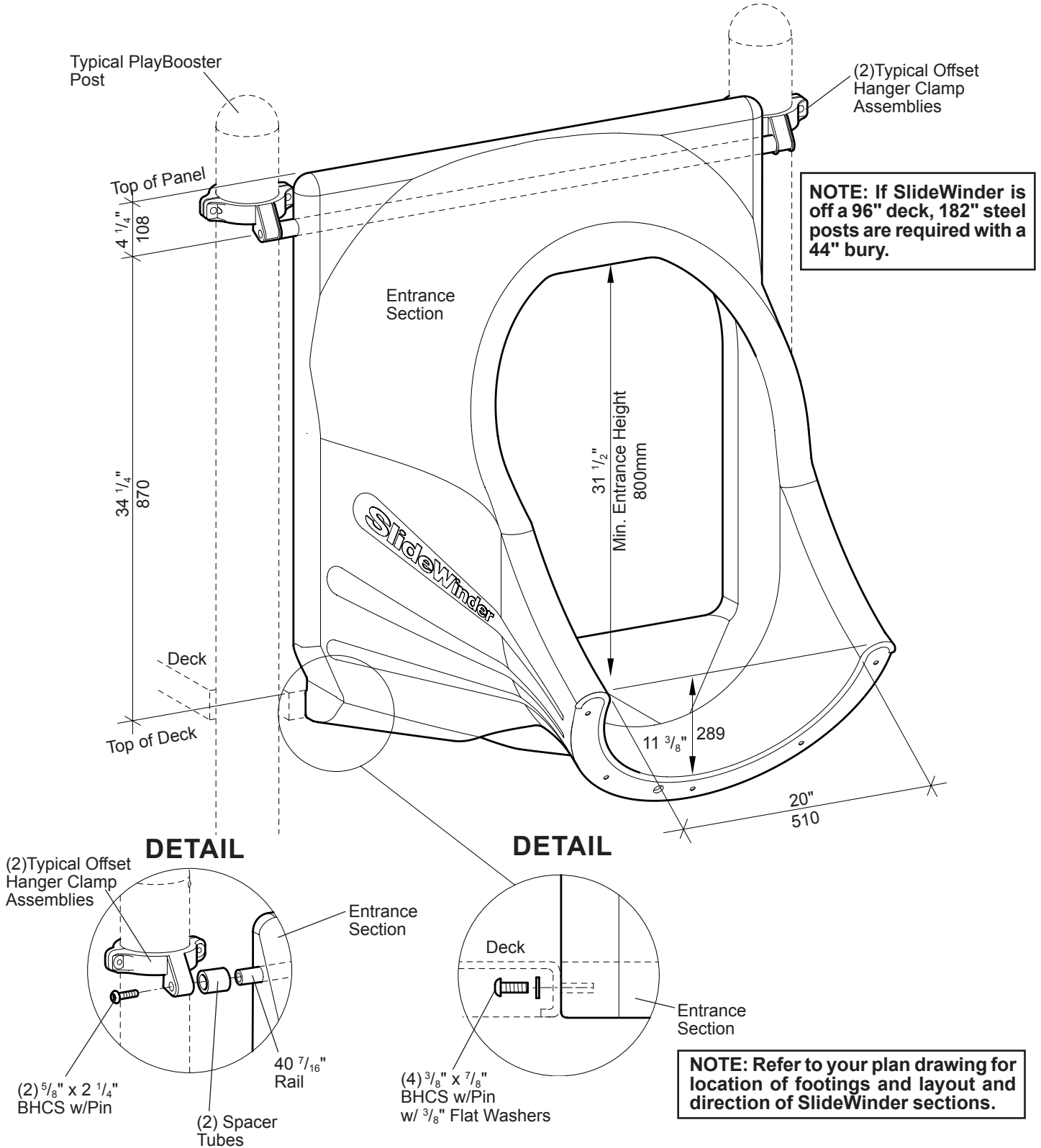
NOTE: Mark posts at dimensions shown, to ensure roofs are attached to posts at proper height.

**DETAIL
BACK TO BACK ROOFS**

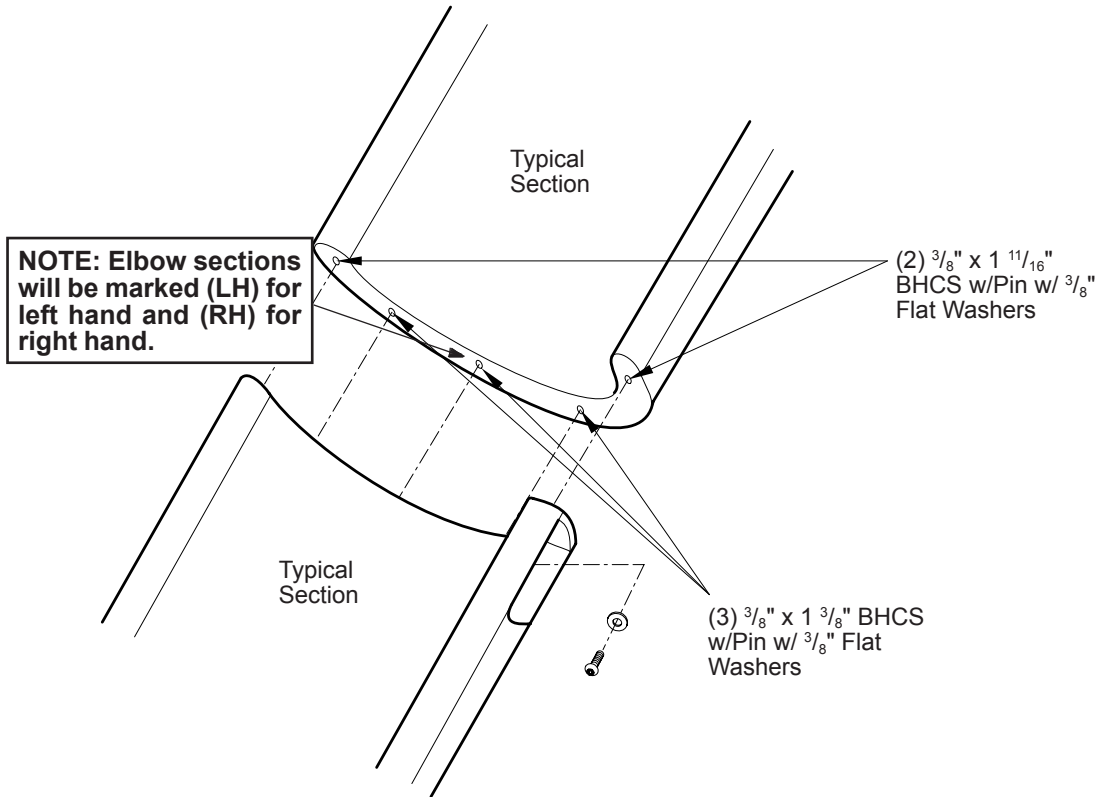


NOTE: When attaching two roofs back to back, slide roofs onto posts, fasten upper roof to posts at dimension shown, then slide lower roof up to upper roof and fasten to posts.

ENTRANCE SECTION ATTACHMENT



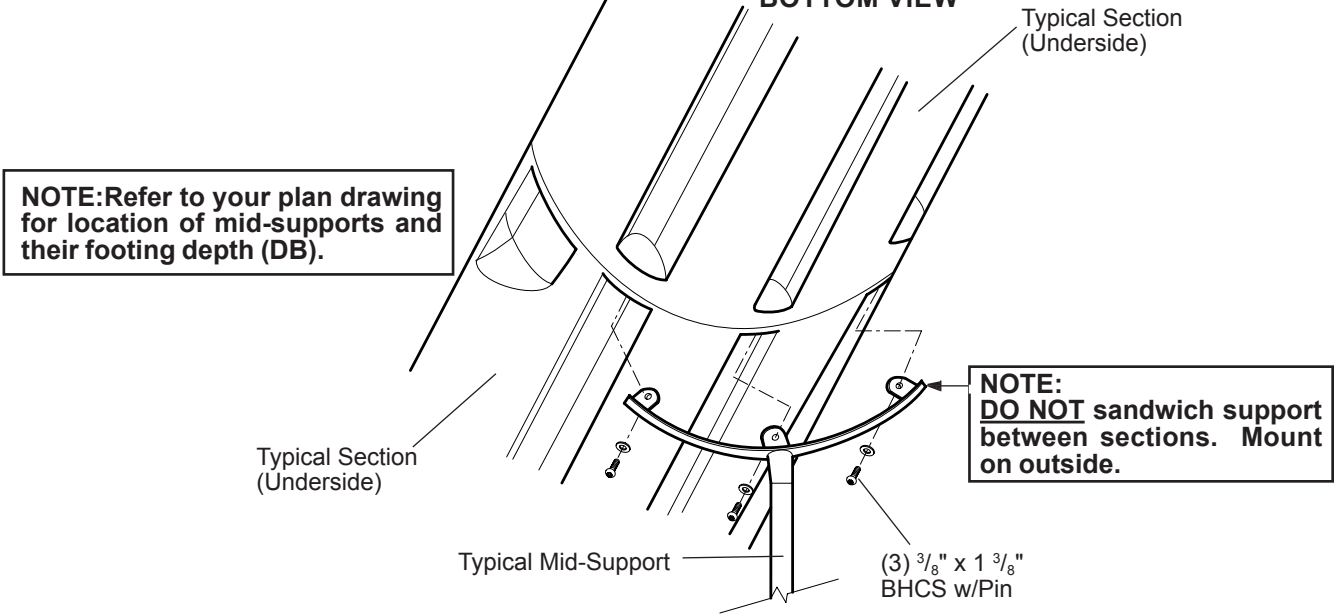
**DETAIL
 TYPICAL SLIDE SECTION**



NOTE: Elbow sections will be marked (LH) for left hand and (RH) for right hand.

NOTE: Fasten top of slide section with pockets to bottom of slide section without pockets.

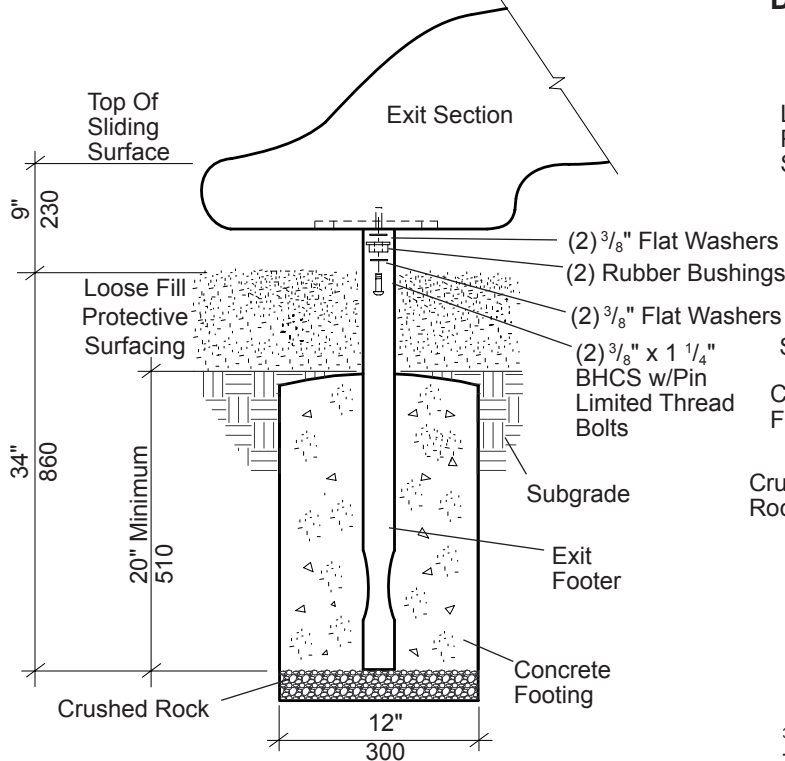
**DETAIL
 TYPICAL MID-SUPPORT
 (48" - 96" SLIDES ONLY)
 BOTTOM VIEW**



NOTE: Refer to your plan drawing for location of mid-supports and their footing depth (DB).

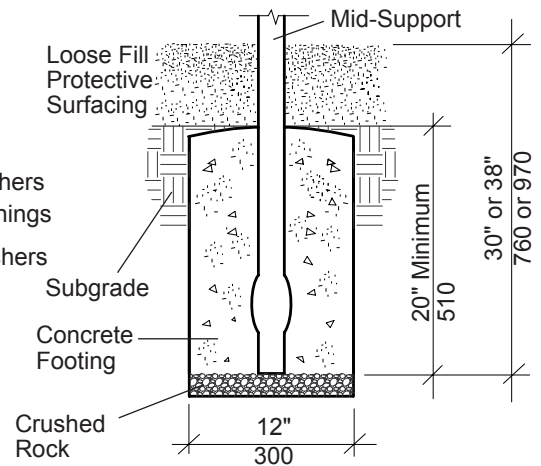
NOTE: DO NOT sandwich support between sections. Mount on outside.

DETAIL
DIRECT BURY / EXIT SECTION

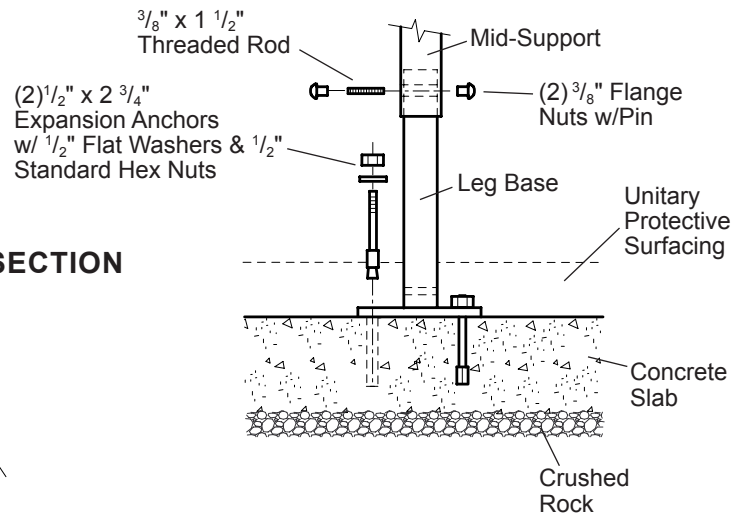


NOTE: Attach bolts in the center of the footer slots to allow for expansion and contraction. Snug bolts down only, do not overtighten!

DETAIL
DIRECT BURY / MID-SUPPORTS

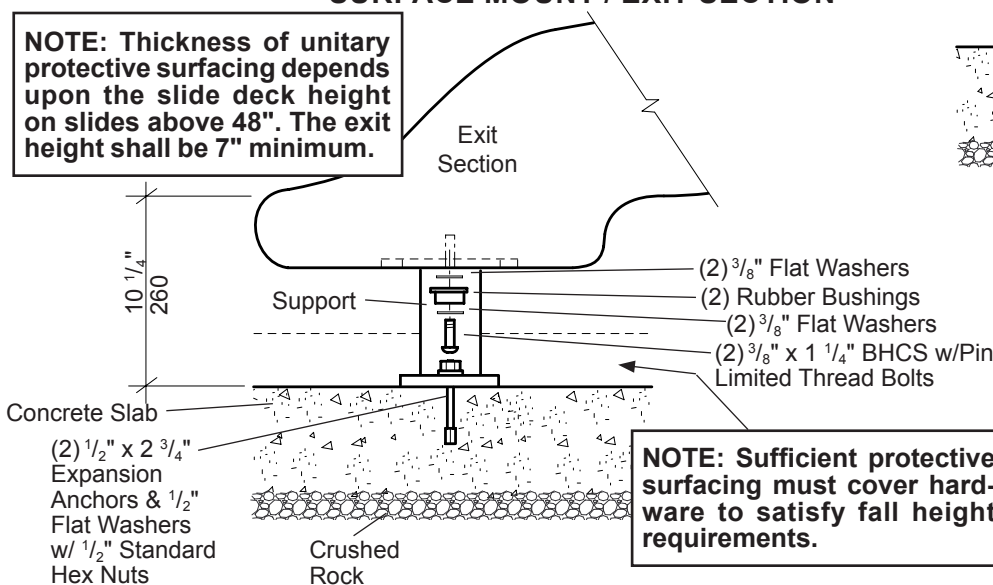


DETAIL
SURFACE MOUNT / MID-SUPPORTS



NOTE: Exit Heights may vary if the protective surfacing is not level. Do not put pressure/tension on the entrance section when adjusting the exit height.

DETAIL
SURFACE MOUNT / EXIT SECTION



NOTE: Thickness of unitary protective surfacing depends upon the slide deck height on slides above 48". The exit height shall be 7" minimum.

NOTE: Sufficient protective surfacing must cover hardware to satisfy fall height requirements.



PlayBooster® 124863 SlideWinder2®, 32"-96"

Parts List

Part#	Description	Qty.
124867	Right Elbow Section, Specify Color	*
124868	Left Elbow Section, Specify Color	*
125655	Straight Section (15 1/4" Long), Specify Color	*
124864	Straight Section (30 1/2" Long), Specify Color	*
100583	40 7/16" Rail, Specify Color	1
105327	5" Half Clamp, Specify Color	2
113729	Offset Hanger Clamp, Specify Color	2
100610	1/4" x 5/8" Drive Rivet, AL/SST	2
125562	Support Base (SM), Specify Color	*
128434	66" Mid-Support (DB), Specify Color	*
128077	82" Mid-Support (DB), Specify Color	*
128078	106" Mid-Support (DB), Specify Color	*
128079	20 3/4" Mid-Support (SM), Specify Color	*
128080	29" Mid-Support (SM), Specify Color	*
128081	37 1/8" Mid-Support (SM), Specify Color	*
128082	45 1/4" Mid-Support (SM), Specify Color	*
128261	Exit Footer (DB), Specify Color	1
128262	Exit Footer (SM), Specify Color	1
124876	Entrance Section, Specify Color	1
124877	Exit Section, Specify Color	1
132443	Spacer Tube, Specify Color	2
121371	Entrance/Deck Mounting Hardware Package	1
100196	3/8" x 7/8" BHCS w/Pin, SST	4
100362	3/8" Flat Washer, SST	4
154942	SlideWinder Section Hardware Package	*
100362	3/8" Flat Washer, SST	*
113027	3/8" x 1 3/8" BHCS w/Pin, SST	*
123224	3/8" x 1 11/16" BHCS w/Pin, SST	*
124342	Rail Hardware Package	1
100198	3/8" x 1 1/8" BHCS w/Pin, SST	4
100203	5/8" x 2 1/4" BHCS w/Pin, SST	2
100351	3/8" Tee Nut, SST	4
125670	Mid-Support Hardware Package (SM)	*
100266	1/2" x 2 3/4" Expansion Anchor	*
100322	1/2" Standard Hex Nut, SST	*
100353	3/8" Flange Nut w/Pin, SST	*
100363	1/2" Flat Washer, SST	*
115813	3/8" x 1 1/2" Threaded Rod, SST	*
128373	Exit Support Hardware Package (DB)	1
100292	3/8" x 1 1/4" BHCS w/Pin Limited Thread Bolt, SST	2
100362	3/8" Flat Washer, SST	4
111442	Rubber Bushing	2
128343	Exit Support Hardware Package (SM)	1
100266	1/2" x 2 3/4" Expansion Anchor	2
100292	3/8" x 1 1/4" BHCS w/Pin Limited Thread Bolt, SST	2
100322	1/2" Standard Hex Nut, SST	2
100362	3/8" Flat Washer, SST	4
100363	1/2" Flat Washer, SST	2
111442	Rubber Bushing	2

DB = Direct Bury
 SM = Surface Mount
 * = Quantity Varies Per Deck Height

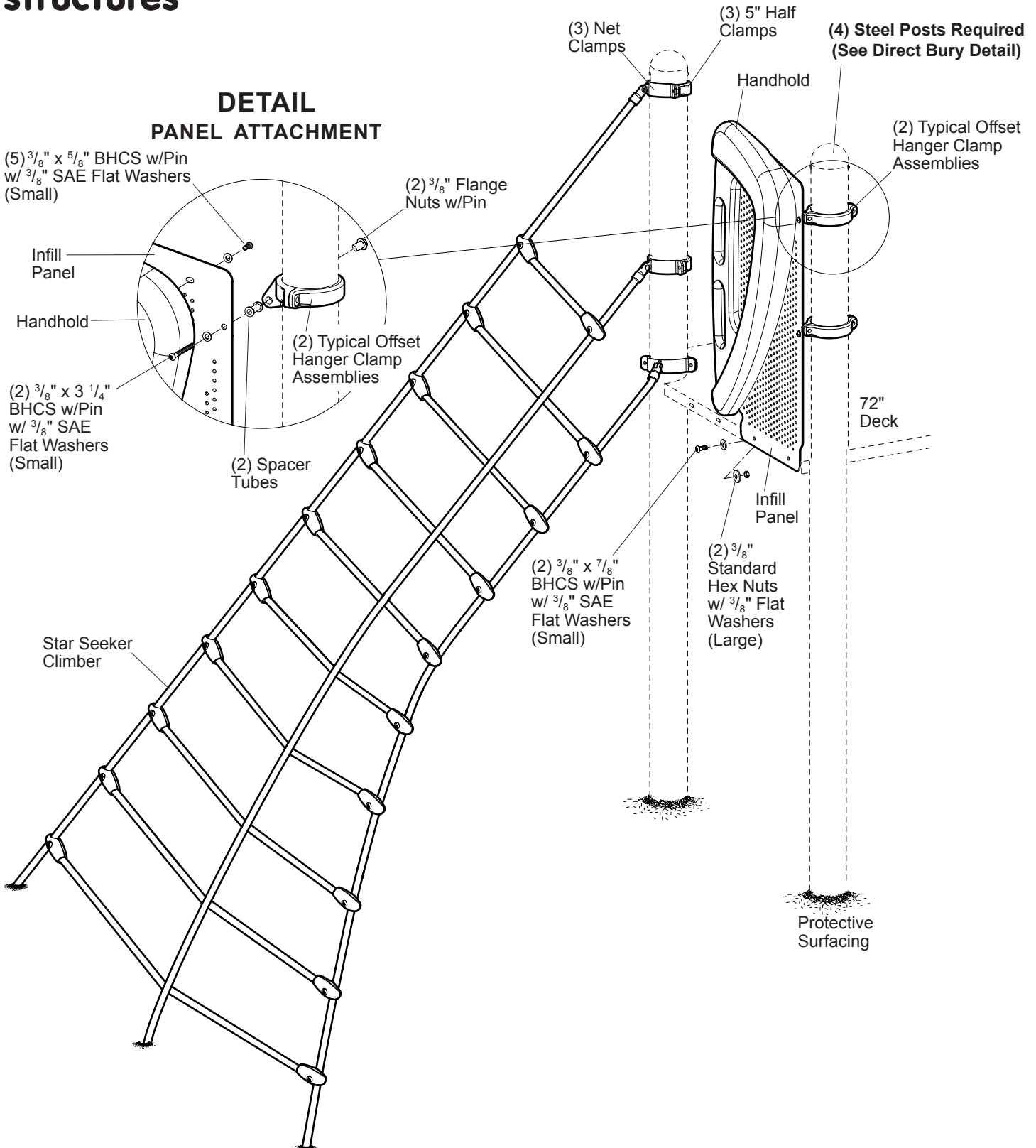
Specifications

Slide Sections:	Rotationally molded from U.V. stabilized linear low density polyethylene, color specified.
Rail:	1 1/8" O.D. 6005-T5 aluminum extrusion with 5/16" walls. Finish: ProShield®, color specified.
Mid-Support:	Weldment comprised of 1.900" O.D. RS-20 (.090" - .100") galvanized steel tubing and 3/16" x 1 1/4" zinc plated steel strap. Finish: ProShield, color specified.
Support Base (SM):	Weldment comprised of 1.660" O.D. RS-20 (.085" - .095") galvanized steel tubing and 1/4" x 3" x 8" mounting plate. Finish: ProShield, color specified.
Spacer Tube:	Fabricated from 1.3125 O.D. x 16 Ga. (.065) steel tubing. Finish: ProShield, color specified.
Exit Footer:	Weldment comprised of 2.375" O.D. RS-20 (.095" - .105") galvanized steel tubing and 1/4" x 3" x 7 1/2" mounting plate. Finish: ProShield, color specified.
Offset Hanger Clamp Assy.:	Cast aluminum. Finish: ProShield, color specified.

Fasteners:	Primary fasteners shall be socketed and pinned tamperproof in design, stainless steel (SST) per ASTM F 879 unless otherwise indicated (see specific product installation/specifications).
Installation Time:	32" - 48" Approx. 3 man hours 56" - 72" Approx. 4 man hours 96" Approx. 5 man hours
Concrete Req.:	30" Depth - Approx. 1.3 cu. ft. 34" Depth - Approx. 1.5 cu. ft. 38" Depth - Approx. 1.8 cu. ft.
Weight:	32" - 134 lbs. 40" - 146 lbs. 48" - 172 lbs. 56" - 184 lbs. 64" - 197 lbs. 72" - 247 lbs. 96" - 265 lbs.
Fall Height:	Deck Height

Installation Instructions

- 1) Refer to your plan drawing for location of footings and direction of SlideWinder sections.
- 2) **(Direct Bury)** Dig footing holes spaced as shown, depending upon slide. Refer to the Direct Bury Exit Section and Direct Bury Mid-Support Details.
- 3) Place 40 7/16" rail in entrance section, place spacer tubes over each end of the 40 7/16" rail, attach offset hanger clamps using 5/8" x 2 1/4" BHCS w/Pin.
- 4) Fasten SlideWinder sections together loosely starting in the middle and working your way to the outside of each section, using 3/8" x 1 3/8" BHCS w/Pin with 3/8" flat washers on the 3 inside holes and 3/8" x 1 11/16" BHCS w/pin with 3/8" flat washers on the 2 outside holes. When all bolts are started, pull the tops flush with each other and tighten. The left elbow section reads (LH) and the right elbow section reads (RH). Attach entrance and exit section last. Refer to the Typical Slide Section Detail.
- 5) **(Direct Bury)** If required attach mid-supports, refer to your plan drawing for locations. Attach mid-supports to slide using 3/8" x 1 3/8" BHCS w/Pin. Refer to the Typical Mid-Support Detail.
(Surface Mount) If required attach mid-supports, refer to your plan drawing for locations. Assemble mid-supports by placing support base inside mid-support and attach using 3/8" x 1 1/2" threaded rod and 3/8" flange nuts w/pin. Refer to the Surface Mount/Mid-Support Detail. Attach mid-supports to slide using 3/8" x 1 3/8" BHCS w/Pin. Refer to the Typical Mid-Support Detail.
- 6) Attach exit footer to base of slide using 3/8" x 1 1/4" BHCS w/Pin limited thread bolts, 3/8" flat washers, rubber bushings and 3/8" flat washers. **NOTE: Attach bolts in the center of the slots to allow for expansion and contraction. Snug bolts down only, do not overtighten. See Direct Bury/Exit Section Detail.**
- 7) With SlideWinder fully assembled, attach entrance section to the face of the deck using 3/8" x 7/8" BHCS w/Pin and 3/8" flat washers.
- 8) Attach offset hanger clamps to posts using 5" half clamps, 3/8" x 1 1/8" BHCS w/Pin and 3/8" tee nuts. Refer to the Typical Offset Hanger Clamp Spec Sheet.
- 9) **(Direct Bury)** With supports plumb pour concrete footings. Allow concrete footings to cure for a minimum of 72 hours before users are allowed to play on the structure.
(Surface Mount) Mark anchor bolt locations on concrete slab through holes in anchor plates. Drill 1/2" x 3" deep holes on marks into concrete using a hammer drill and 1/2" masonry bit. Tap 1/2" x 2 3/4" expansion anchors into drilled holes and fasten using 1/2" standard hex nuts with 1/2" flat washers.
- 10) Install protective surfacing before users are allowed to play on the structure.



PlayBooster® 179009 Star Seeker Climber, w/ Vibe® Handhold, 72" Deck

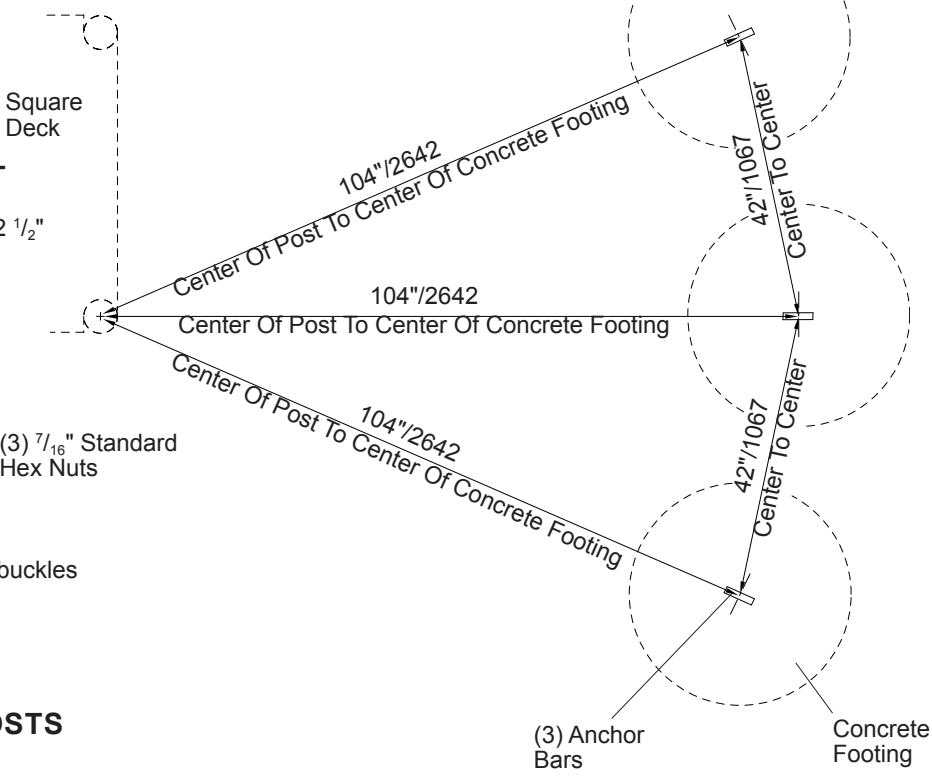
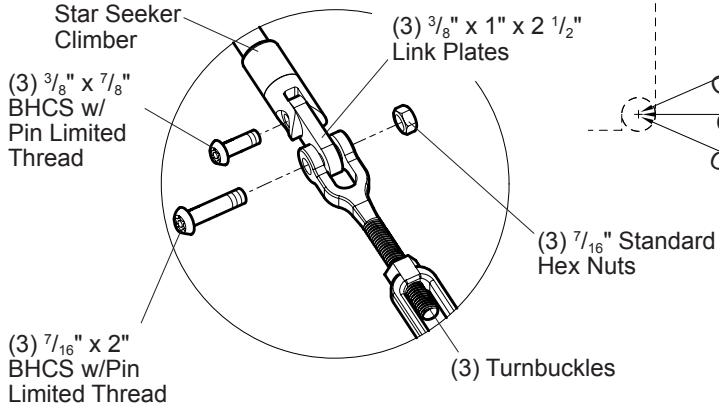
601 7TH STREET SOUTH, DELANO, MINNESOTA 55328-8605 888-574-4678 LSI Install Help 888-438-6574 LSI Direct 763-972-5200 Int. FAX (763) 972-3185

© 2015 by Landscape Structures. All rights reserved.

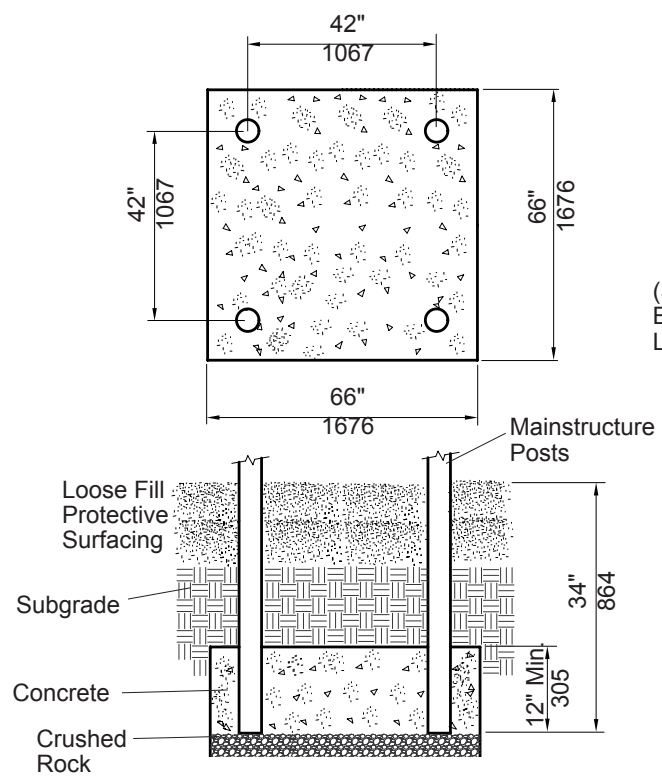
Sheet 1 of 3 Document #21308800

PLAN VIEW/FOOTING LAYOUT

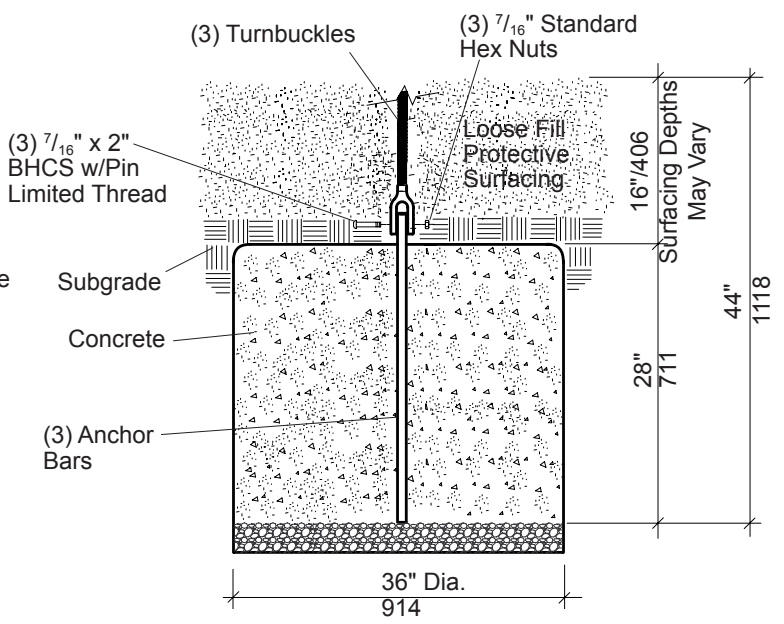
DETAIL TURNBUCKLE ATTACHMENT



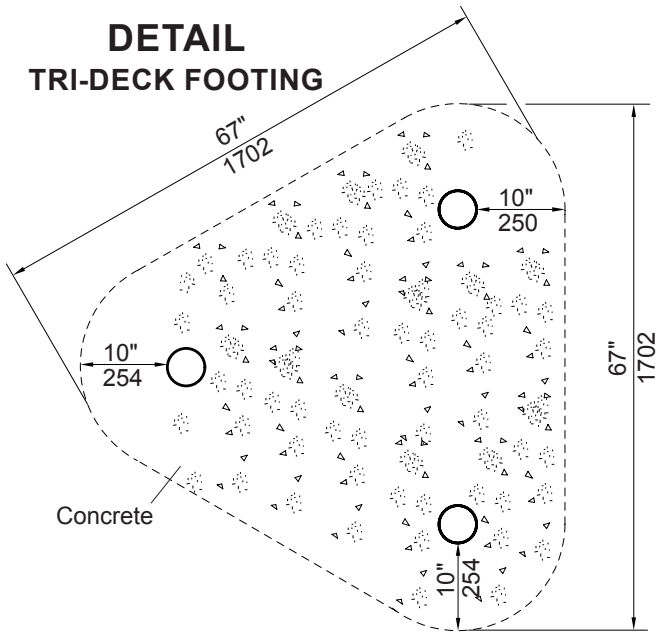
DETAIL STEEL MAINSTRUCTURE POSTS DIRECT BURY



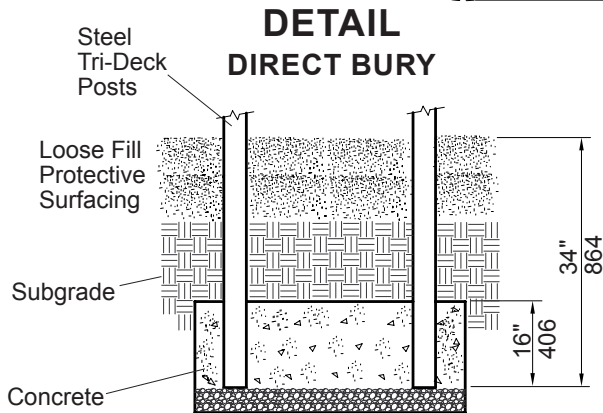
DETAIL ANCHOR BAR FOOTING



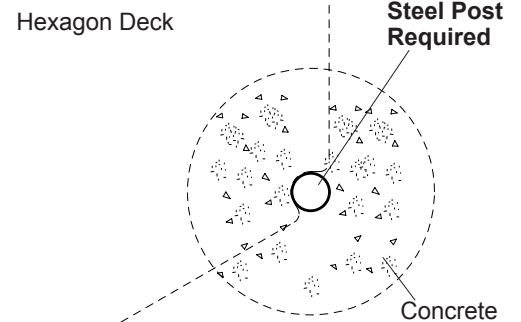
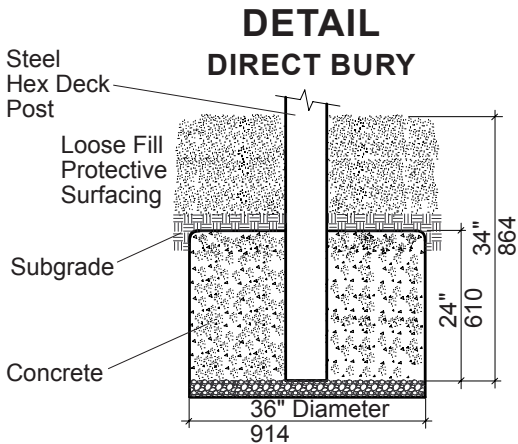
PlayBooster® 179009 Star Seeker Climber, w/ Vibe® Handhold, 72\" Deck



NOTE: Steel posts are required when attaching Star Seeker Climber to a Tri-Deck.

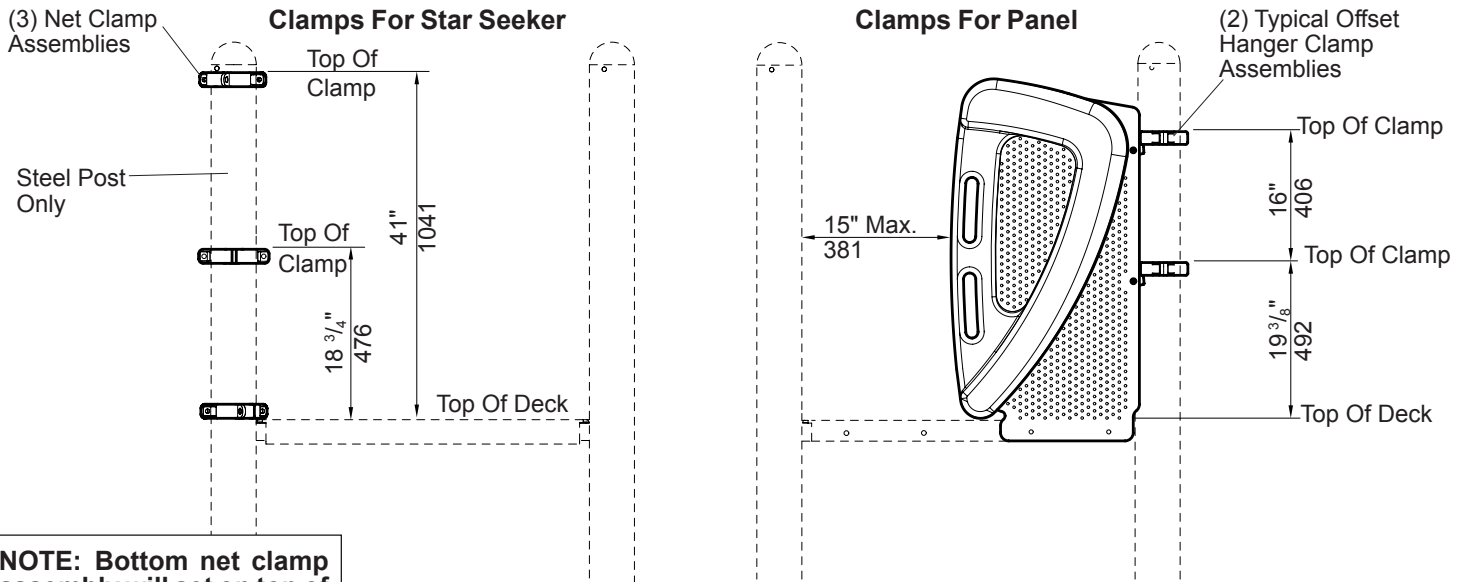


**DETAIL
HEXAGON DECK FOOTING**



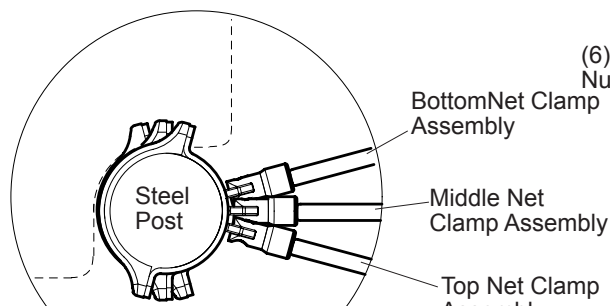
PlayBooster® 179009 Star Seeker Climber, w/ Vibe® Handhold, 72" Deck

**DETAIL
CLAMP ATTACHMENT**



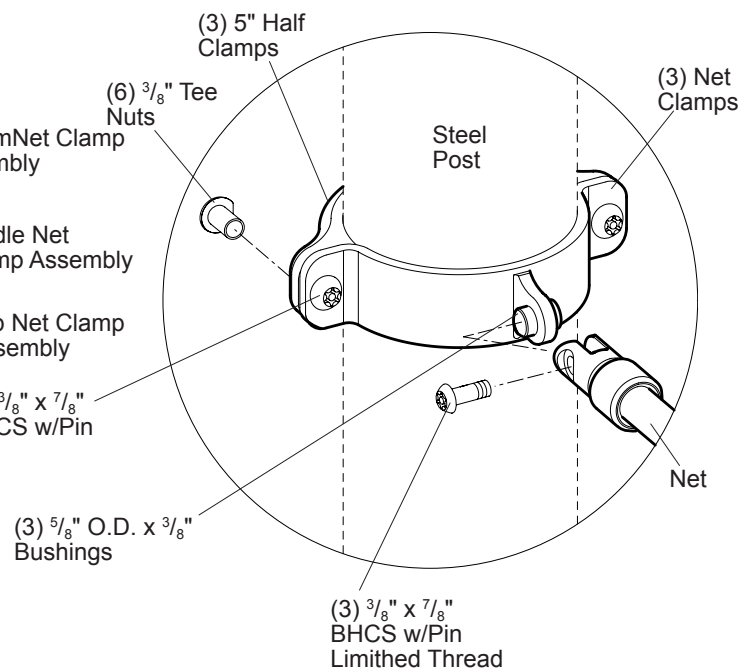
NOTE: Bottom net clamp assembly will set on top of deck.

**DETAIL
CLAMPS FOR STAR SEEKER
(TOP VIEW)**

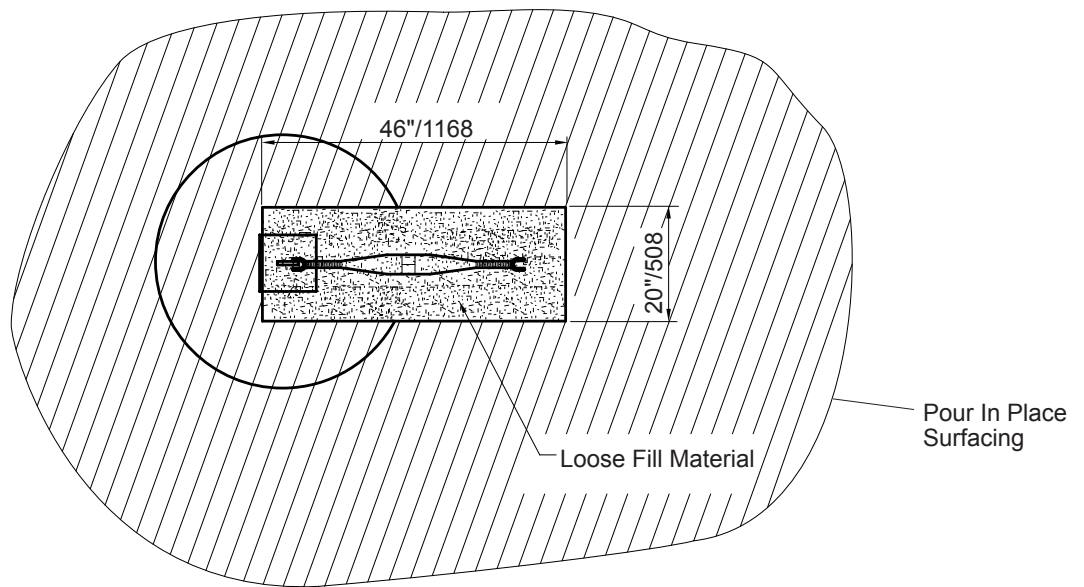


NOTE: Angle net clamp assemblies in line with anchor bars.

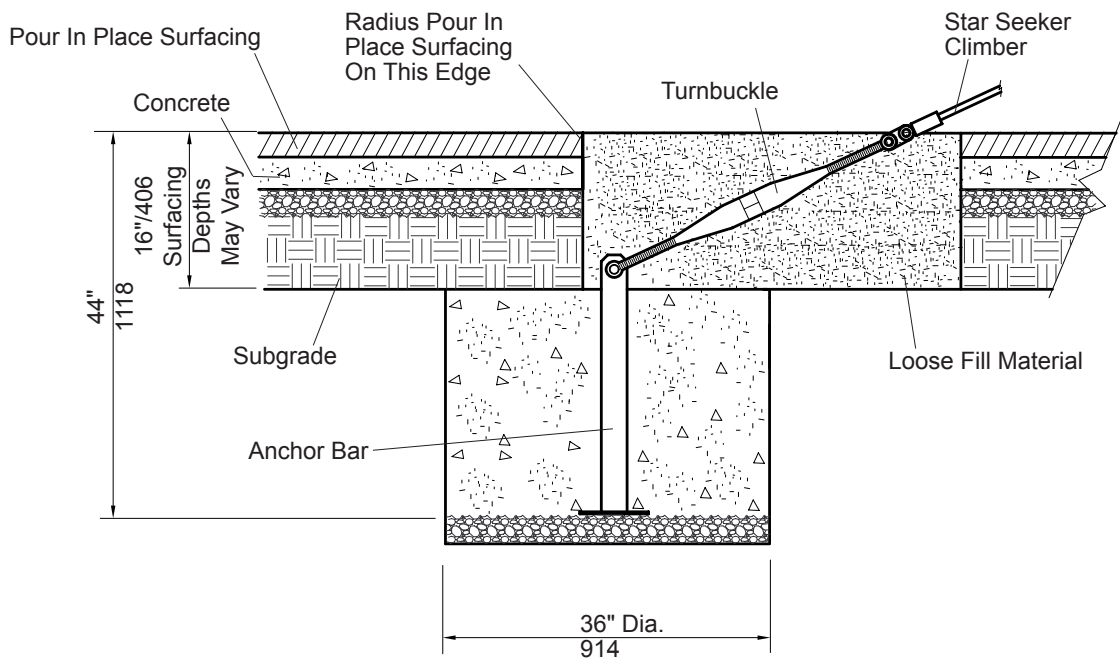
**DETAIL
STAR SEEKER TO
POST ATTACHMENT**



PLAN VIEW OF INSTALLATION



Detail Plan For Foundation



PlayBooster® Detail Plan For Pour In Place Surfacing

Parts List

Part#	Description	Qty.
100610	1/4" x 5/8" Drive Rivet, AL/SST	5
105327	5" Half Clamp, Specify Color	5
113468	7/8" O.D. x 1 11/16" Al. Spacer Tube, Specify Color	2
113729	5" Offset Hanger Clamp, Specify Color	2
144565	Anchor Bar	3
161898	Net Clamp, Specify Color	3
203672	Net	1
171684	Turnbuckle	3
177250	Roto 3/4 Handhold Left, Specify Color	1
177251	Roto 3/4 Handhold Right, Specify Color	1
178734	Infill 3/4 Panel, Specify Color	1
213090	Star Seeker Climber Hardware Package	1
100168	3/8" x 3 1/4" BHCS w/Pin, SST	2
100195	3/8" x 5/8" BHCS w/Pin, SST	5
100196	3/8" x 7/8" BHCS w/Pin, SST	8
100198	3/8" x 1 1/8" BHCS w/Pin, SST	4
100290	3/8" x 7/8" BHCS w/Pin Ltd. Thread Bolt, SST	6
100327	3/8" Standard Hex Nut, SST	2
100328	7/16" Standard Hex Nuts, SST	6
100351	3/8" Tee Nut, SST	10
100353	3/8" Flange Nut w/Pin, SST	2
100362	3/8" Flat Washer, SST	2
100365	3/8" SAE Flat Washer, SST	9
157704	7/16" x 2" BHCS w/Pin Ltd. Thread Bolt, SST	6
127179	5/8" O.D. x 3/8" Bushing, SST	3
176895	3/8" x 1" x 2 1/2" Link Plate, SST	3

Specifications

Net: Made of tightly woven polyester-wrapped, six-strand galvanized-steel cable with a polypropylene core. Connector fabricated from 1.250" (31,75 mm) O.D. 6061-T6 aluminum.

Anchor Bar: Weldment comprised of 1/2" x 3" (12,7 mm x 76,2 mm) flat steel and 1/4" x 8" (6,35 mm x 203 mm) square plate. Finish: Galvanized.

Infill Panel: Made from 7GA. (.179") (4,55 mm) thick HRPO steel sheet zinc plated. Finish: ProShield®, color specified.

Handhold: Rotationally molded from U.V. stabilized linear low density polyethylene, color specified.

Net Clamp: Weldment comprised of 1/4" x 1 3/4" (6,35 mm x 44,45 mm) HRPO flat steel and .375" (9,53 mm) stainless steel sheet. Finish: ProShield, color specified.

Clamps: Cast aluminum. Finish: ProShield, color specified.

Fasteners: Primary fasteners shall be socketed and pinned tamperproof in design, stainless steel (SST) per ASTM F 879 unless otherwise indicated (see specific product installation/specifications).

Installation Time: Approx. 2 man hours for net and enclosure panel
Approx. 2 man hours for anchor bar footings

Weight: 145 lbs.

Concrete: Approx. 48 cu. ft. (3 anchor bars)
Approx. 30 cu. ft. (steel square deck mainstructure posts)

Approx. 14 cu. ft. (steel hex-deck mainstructure post)

Approx. 28 cu. ft. (steel tri-deck mainstructure posts)

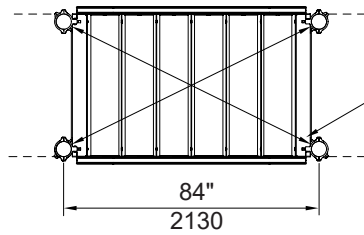
Fall Height: 84" (2,13 m)

Specifications are subject to change without notice.

Installation Instructions

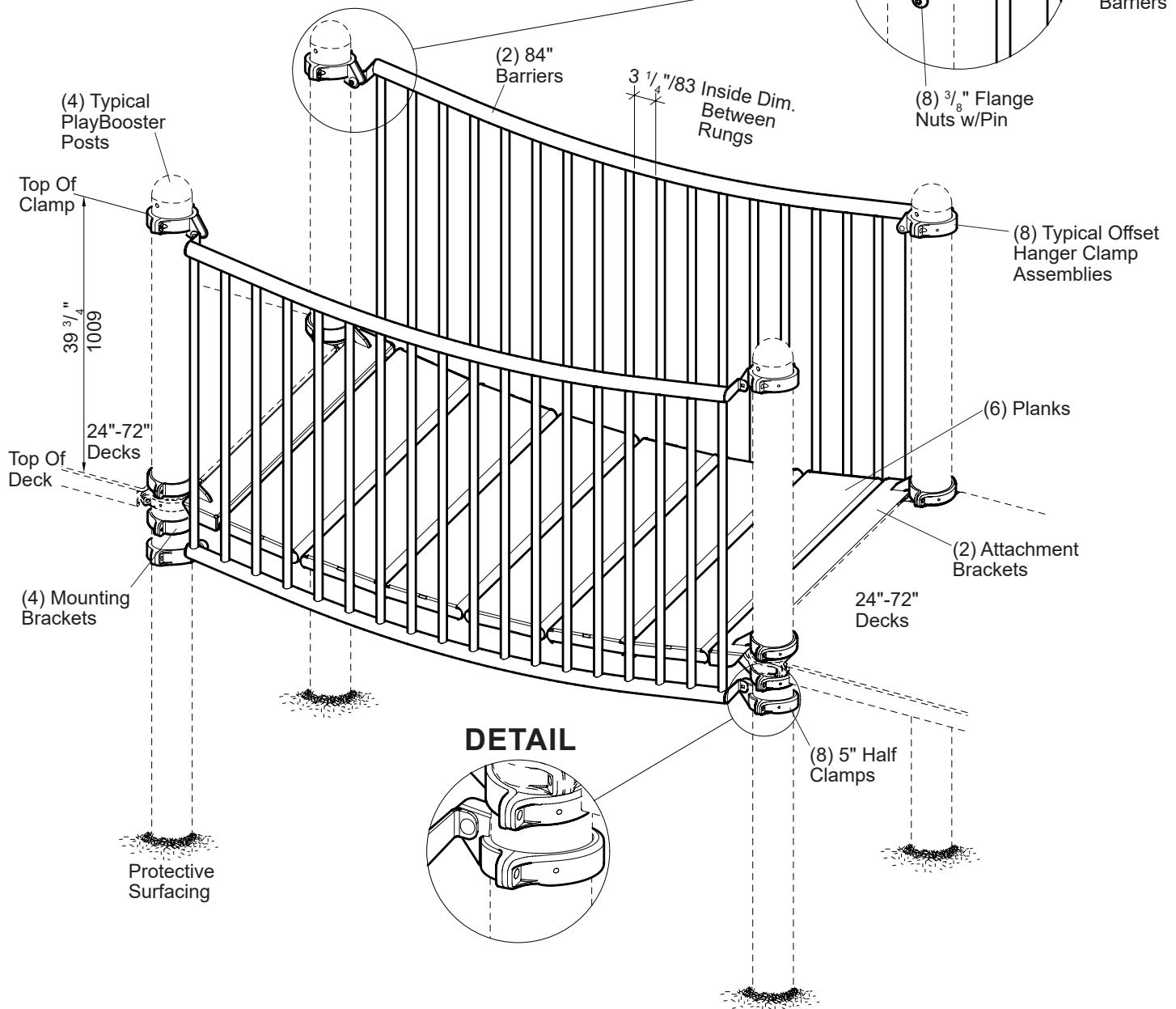
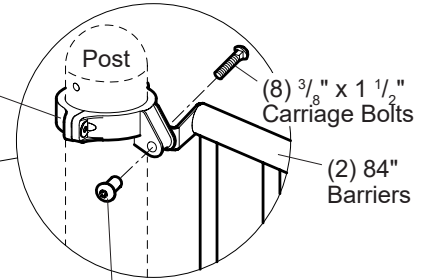
- 1) Dig footings to depths and spacing, as shown.
- 2) Place anchor bars in footing holes to dimensions shown. Anchor bars should be angled in line with center post.
- 3) With anchor bars in final position, pour concrete footings. **NOTE:** Allow mainstructure and anchor bar concrete footings to cure for a minimum of 72 hours before attaching Star Seeker Climber and turnbuckles.
- 4) Attach handhold to infill panel, using 3/8" x 5/8" BHCS w/pin and 3/8" SAE flat washers (small). Refer to the Panel Attachment Detail.
- 5) Attach infill panel to deck, using 3/8" x 7/8" BHCS w/pin with 3/8" SAE flat washers (small) and 3/8" standard hex nuts with 3/8" flat washers (large).
- 6) Attach infill panel to offset hanger clamps, using 3/8" x 3 1/4" BHCS w/pin, 3/8" SAE flat washers (small), spacer tubes and 3/8" flange nuts w/pin. Refer to the Handhold Attachment Detail.
- 7) Attach offset hanger clamps to post, using 5" half clamps, 3/8" x 1 1/8" BHCS w/pin and 3/8" tee nuts. Refer to the Typical Offset Hanger Clamp Spec Sheet.
- 8) Attach net clamps to posts at height shown, using 5" half clamps, 3/8" x 7/8" BHCS w/pin and 3/8" tee nuts. Refer to the Star Seeker to Post Attachment Details.
- 9) Insert 5/8" O.D. x 3/8" bushings into net clamp tabs. Attach net to net clamps with bushings, using 3/8" x 7/8" BHCS w/pin limited thread. Refer to the Star Seeker to Post Attachment Detail.
- 10) Attach turnbuckles to net and anchor bars. Refer to the Turnbuckle Attachment Detail & Anchor Bar Footing Detail.
- 11) Tighten turnbuckles evenly until net is tight, but not bending post.
- 12) Install 1/4" x 5/8" drive rivets in all 5" half clamps. Drill through hole in 5" half clamps and into 5" post with a 1/4" or "F" (only) drill bit, insert drive rivet in hole through clamp and into post. Hammer drive rivet pin in until flush with head. Refer to the Typical Offset Hanger Clamp Spec Sheet
- 13) Install protective surfacing before users are allowed to play on the structure.

PLAN VIEW/FOOTING LAYOUT

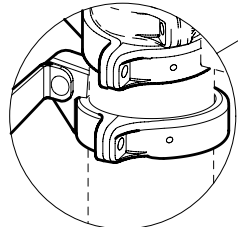


IMPORTANT: The diagonal dimensions between posts are critical and must be $88 \frac{15}{16}'' \pm \frac{1}{4}''$.

DETAIL BARRIER ATTACHMENT



DETAIL



PlayBooster® 147424 Clatterbridge, w/Barriers, 84"

Parts List

Part#	Description	Qty.
100610	1/4" x 5/8" Drive Rivet, AL/SST.....	16
105327	5" Half Clamp, Specify Color.....	16
113729	Offset Hanger Clamp, Specify Color.....	8
180989	Mounting Bracket, Specify Color.....	4
140396	Attachment Bracket, Specify Color.....	2
141222	Clatterbridge Plank, Specify Color.....	6
180985	Cover Plate, Specify Color.....	12
210610	75 1/8" Cable.....	2
146875	84" Barrier, Specify Color.....	2
212388	1/4" x 76 3/4" Clatter Cable.....	2
210198	Support Bracket, Specify Color.....	8
219030	Clatterbridge Hardware Package	1
100196	3/8" x 7/8" BHCS w/Pin, SST.....	28
100292	3/8" x 1 1/4" BHCS w/Pin Ltd. Thread Bolt, SST.....	8
100327	3/8" Standard Hex Nut, SST.....	8
100351	3/8" Tee Nut, SST.....	16
100365	3/8" SAE Flat Washer, SST.....	44
127068	7/16" x 2 7/16" BHCS w/Pin Ltd. Thread Bolts, SST...4	4
214609	7/16" Hex Nut, Nylock, SST.....	4
136931	3/8" Hex Nut, Nylock, SST.....	8
123224	3/8" x 1 11/16" BHCS w/Patch, 6LP, SST.....	8
212561	1/2" OD x .520" Clatter Bushing, SST.....	4
147428	Barrier Hardware Package	1
100198	3/8" x 1 1/8" BHCS w/Pin, SST.....	16
100351	3/8" Tee Nut, SST.....	16
100353	3/8" Flange Nut w/Pin, SST.....	8
116017	3/8" x 1 1/2" Carriage Bolt, SST.....	8

Specifications

Plank:	Weldment comprised from 12 GA (.105") HRPO plate with 5/16" diameter perforated holes and threaded stainless steel inserts, plank measures 11 7/16" wide x 46 7/8" long. Finish: TenderTuff™, color specified.
Attachment Brkt:	Fabricated from 11 GA (.120") HRPO plate. Finish: TenderTuff, color specified.
Mounting Bracket:	Weldment comprised from 1/2" HRPO sheet steel, (2) 1/4" x 1 3/4" steel half clamps and 7/8" diameter 304L stainless steel tube. Finish: ProShield®, color specified.
Cover Plate:	Fabricated from 12 GA (.105") HRPO plate. Finish: ProShield, color specified.
Support Bracket:	Fabricated from 1/4" (6,35 mm) HRPO steel plate. Finish: ProShield, brown in color.
SST. Cable:	Fabricated with 1/4" (6,35 mm) stainless steel cable with EY1-8 SS marine eye.
Cable:	Made of tightly woven, polyester-wrapped, six stranded galvanized-steel cable with a PVC wrapped galvanized steel core.
Barrier:	Weldment comprised of 1.900" O.D. RS-20 (.090" - .100") galvanized steel tubing beam, 1.029" O.D. RS-20 (.070" - .080") galvanized steel tubing and 7 GA (.179") HRPO sheet steel. Finish: ProShield, color specified.
Clamps:	Cast aluminum. Finish: ProShield, color specified.
Fasteners:	Primary fasteners shall be socketed and pinned tamperproof in design, stainless steel (SST) per ASTM F879 unless otherwise indicated. (see specific product installation/specifications)

Specifications are subject to change without notice.

Installation Time: Approx. 3 man hours
Weight: 435 lbs.
Fall Height: Deck Height

Installation Instructions

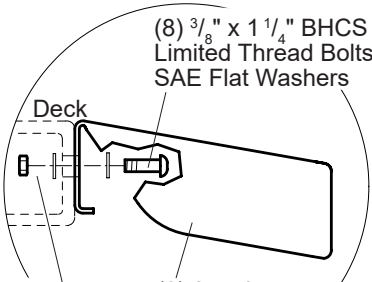
IMPORTANT: The diagonal dimensions between posts are critical and must be within 1/2" of each other.

- 1) With posts and decks in position, mark clamp locations on posts at the specified height shown.
- 2) Attach guardrails to posts at height shown using 5" half clamps, 3/8" x 7/8" BHCS w/pin and 3/8" tee nuts. Refer to the Guardrail Attachment Detail.
- 3) Attach the mounting brackets to posts using 5" half clamps, 3/8" x 7/8" BHCS w/pin and 3/8" tee nuts. Refer to the Mounting Bracket Attachment Detail. **NOTE:** When attaching mounting bracket to posts, upper 5" half clamp will set on top of deck. Mounting brackets should be perpendicular to deck with a 42 1/2" dimension from outside to outside of brackets.
- 4) Attach cables to mounting brackets using 7/16" x 2 7/16" BHCS w/pin limited thread bolts. Refer to the Cable Attachment Detail. **NOTE:** Do not attach 7/16" hex jam nuts to 7/16" x 2 7/16" BHCS w/pin limited thread bolts at this time.
- 5) Lay a plank across the middle of the cables and use a level to ensure both cables are the same height. If the cables are not the same height, one of the cables will have to be turned. Run a string line across the top of the decks. With the plank and string line level the dimension from the top of the plank to the string line should be 3" to 6". Refer to the Cable Tightening Detail.
- 6) Lay planks and attachment brackets on cables. If planks and attachment brackets don't fit between bridge connectors or if planks and attachment brackets have a gap between them, planks and attachment brackets will have to be removed and cables turned to adjust. **NOTE:** There should not be a gap between planks and attachment brackets.
- 7) Fasten 7/16" hex jam nuts to 7/16" x 2 7/16" BHCS w/pin limited thread bolts. Refer to the Cable Attachment Detail.
- 8) Attach the attachment brackets to the face of the decks using 3/8" x 1 1/4" BHCS w/pin limited thread bolts with 3/8" SAE flat washers and 3/8" standard hex nuts with 3/8" SAE flat washers. Refer to the Bracket Attachment Detail. **NOTE:** Tighten until 3/8" x 1 1/4" BHCS w/pin limited thread bolts bottom out. Attachment bracket will still be loose.
- 9) Attach cover plates to planks using 3/8" x 7/8" BHCS w/pin with 3/8" SAE flat washers. Refer to the Plank Attachment Detail
- 10) Adjust handrails if necessary. Install 1/4" x 5/8" drive rivets in all 5" half clamps. Refer to the Offset Hanger Clamp Spec Sheet.
- 11) Install protective surfacing before users are allowed to play on the structure.
- 12) Attach cables to mounting brackets, as shown on the back of sheet 2.
- 13) Install 1/4" x 5/8" drive rivets in all 5" half clamps. Refer to the Offset Hanger Clamp Spec Sheet.
- 14) Install protective surfacing before users are allowed to play on the structure.

**DETAIL
 CABLE ATTACHMENT**

NOTE: When attaching mounting bracket, 5" half clamp will set on top of deck.

**DETAIL
 ATTACHMENT BRACKET**



(8) 3/8" Standard Hex Nuts w/ 3/8" SAE Flat Washers

(2) Attachment Brackets

NOTE: Tighten until 3/8" x 1 1/4" BHCS w/Pin limited thread bolts bottom out. Attachment bracket will still be loose.

(16) 3/8" Tee Nuts

(4) Mounting Brackets

(16) 3/8" x 7/8" BHCS w/Pin

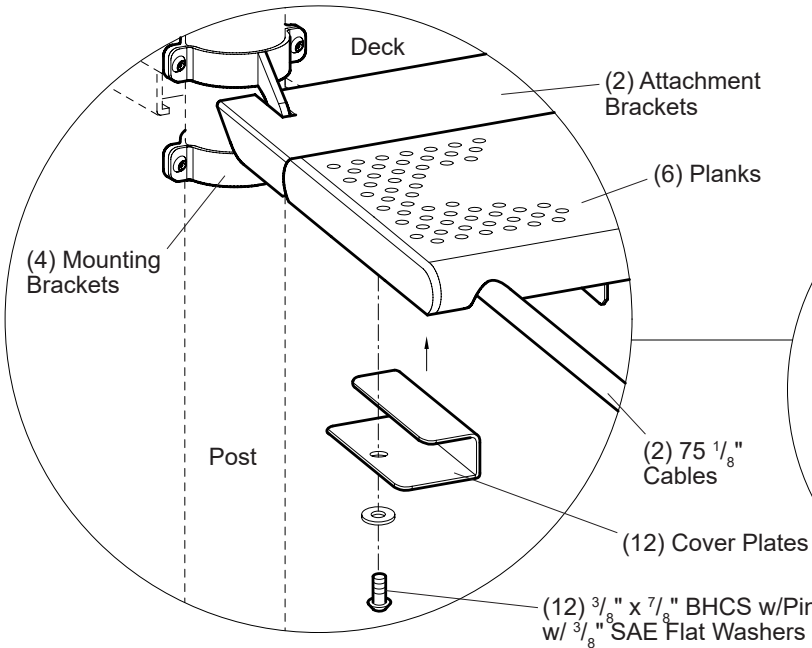
(4) 7/16" x 2 7/16" BHCS w/Pin Limited Thread Bolts

(4) 7/16" Nyloc Hex Nuts

IMPORTANT! Make sure Nyloc Hex nuts are present and fully torqued.

(2) 75 1/8" Cables

**DETAIL
 PLANK ATTACHMENT**



(2) Attachment Brackets

(6) Planks

(4) Mounting Brackets

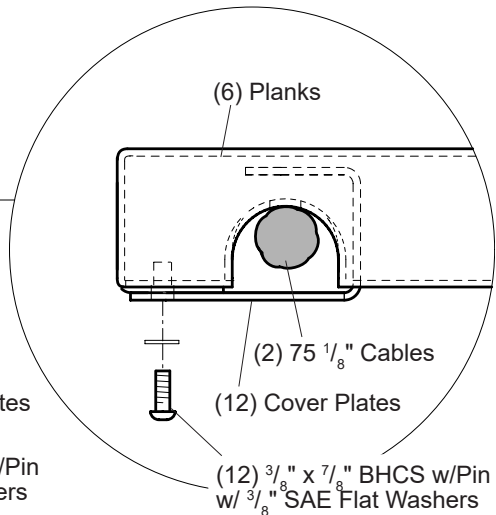
Post

(2) 75 1/8" Cables

(12) Cover Plates

(12) 3/8" x 7/8" BHCS w/Pin w/ 3/8" SAE Flat Washers

FRONT VIEW



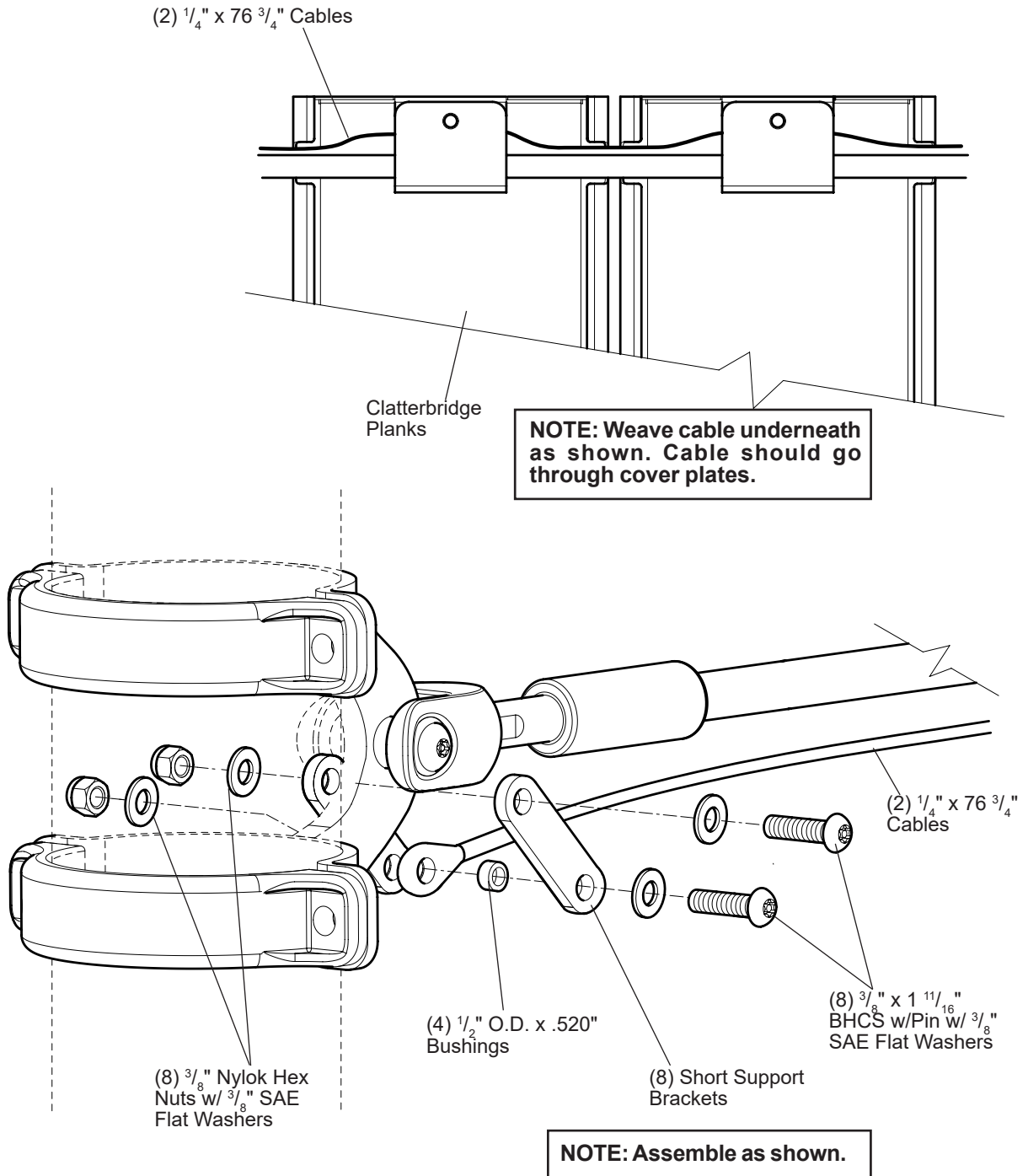
(6) Planks

(2) 75 1/8" Cables

(12) Cover Plates

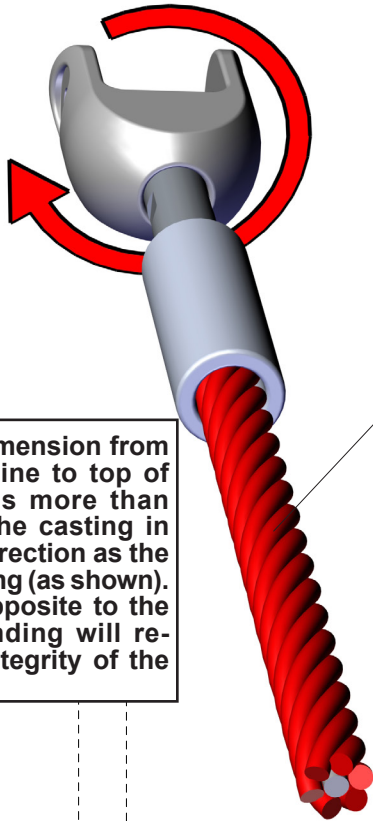
(12) 3/8" x 7/8" BHCS w/Pin w/ 3/8" SAE Flat Washers

**DETAIL
CABLE ATTACHMENT**



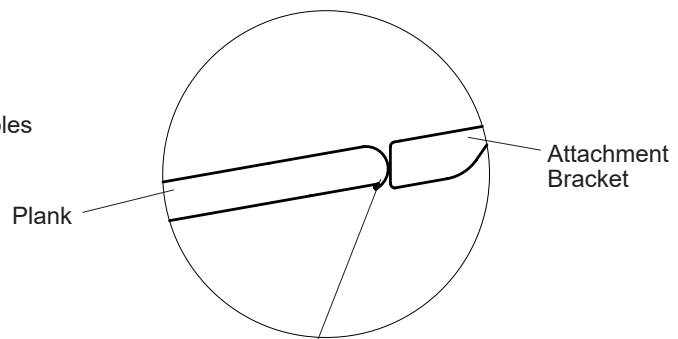
PlayBooster® 147424 Clatterbridge, w/Barriers, 84"

**DETAIL
CABLE TIGHTENING**

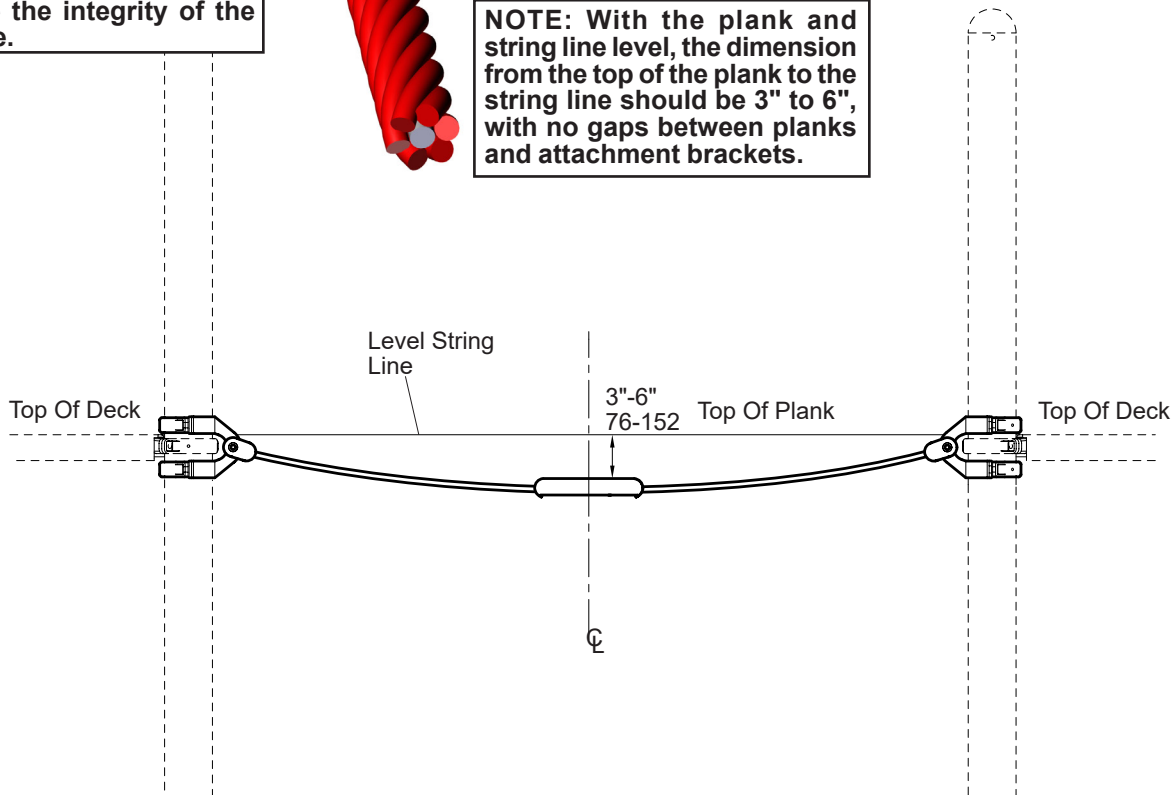


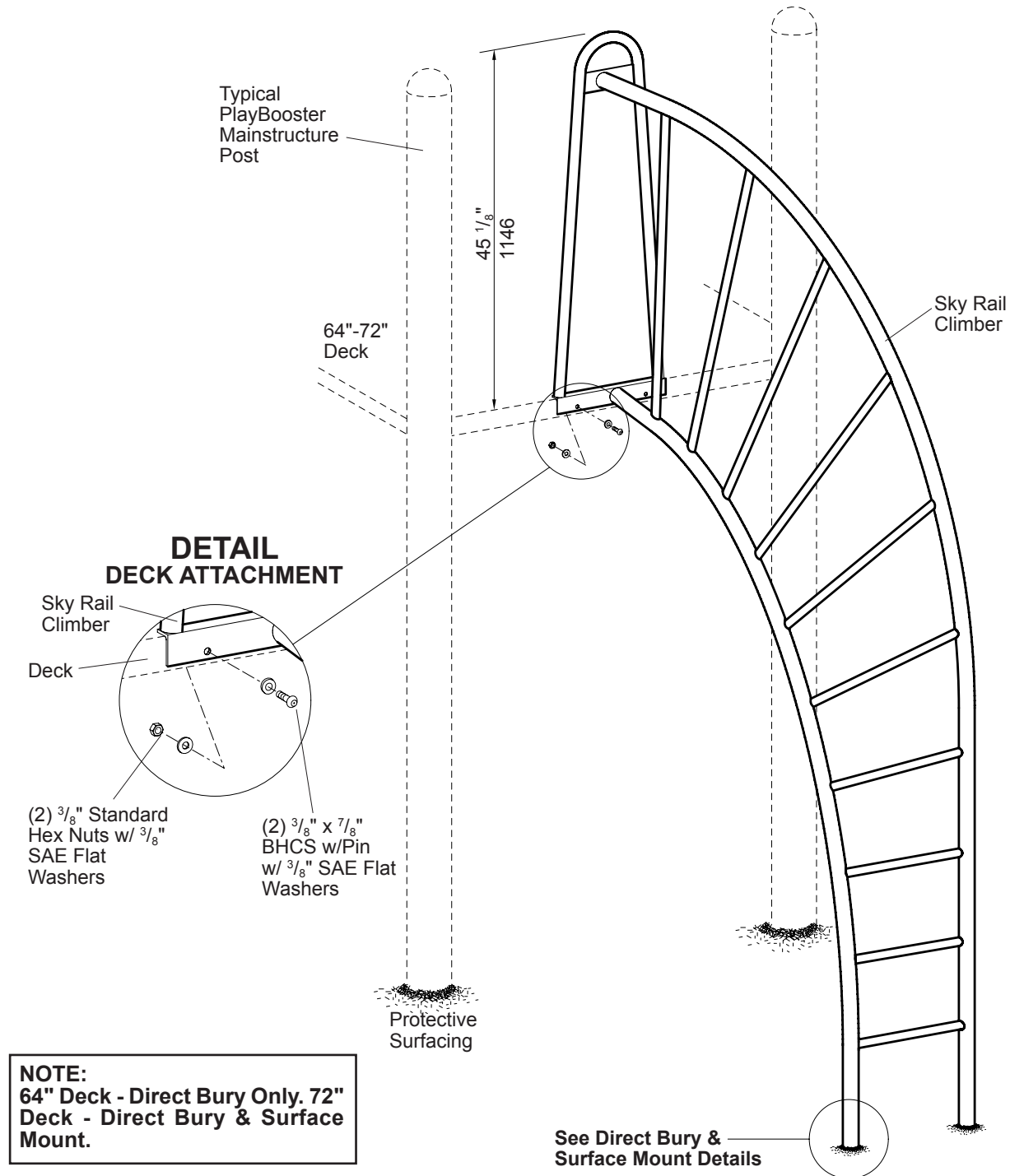
NOTE: If dimension from the string line to top of the plank is more than 6", rotate the casting in the same direction as the cable winding (as shown). Rotating opposite to the cable's winding will reduce the integrity of the cable.

DETAIL



NOTE: With the plank and string line level, the dimension from the top of the plank to the string line should be 3" to 6", with no gaps between planks and attachment brackets.





NOTE:
 64" Deck - Direct Bury Only. 72" Deck - Direct Bury & Surface Mount.



PlayBooster® 146812 Sky Rail Climber, 64" - 72" Decks

Parts List

Part#	Description	Qty.
145553	Sky Rail, Specify Color.....	1
145875	Footer, DB, Specify Color.....	2
146719	Footer, SM, Specify Color.....	2
146822	Sky Rail Hardware Package	1
100196	3/8" x 7/8" BHCS w/Pin, SST.....	2
100327	3/8" Standard Hex Nut, SST.....	2
100365	3/8" SAE Flat Washers, SST.....	4
100609	1/4" x 3/16" Drive Rivet, AL/SST	4
111392	2-Hole (SM) Hardware Package	2
100266	1/2" x 2 3/4" Expansion Anchor.....	4
100322	1/2" Standard Hex Nut, SST.....	4
100363	1/2" Flat Washer, SST.....	4

DB = Direct Bury
SM = Surface Mount

Specifications

Sky Rail: Weldment comprised of 1.900" O.D. RS-20 (.090" - .100") galvanized steel tubing per ASTM A500, 1.315" O.D. RS-20 (.080" - .090") galvanized steel tubing per ASTM A500, 1.029" O.D. RS-20 (.070" - .080") galvanized steel tubing per ASTM A500, 3/16" HRPO flat steel and 1/4" HRPO flat steel. Finish: ProShield, color specified.

Footer: Fabricated from 1.900" O.D. RS-20 (.090" - .100") galvanized steel tubing. Finish: ProShield, color specified.

Fasteners: Primary fasteners shall be socketed and pinned tamperproof in design, stainless steel (SST) per ASTM F 879 unless otherwise indicated (see specific product installation/specifications).

Installation Time: Approx. 1 1/2 man hours

Concrete Req.: Approx. 2.6 cu. ft.

Weight: 64" - DB = 90 lbs.

72" - DB = 90 lbs.

72" - SM = 82 lbs.

Fall Height: Deck Height

Installation Instructions

- 1) Dig footing holes spaced as shown. Refer to the Plan View/Footing Layout.
- 2) Insert footers into the sky rail climber. Drill through holes in the sky rail climber into footers with a 1/4" or "F" (only) drill bit. Insert 1/4" x 3/16" drive rivets in holes and hammer drive rivet pins in until flush with heads. Refer to the Direct Bury and Surface Mount Details.
- 3) Attach the sky rail climber to deck using 3/8" x 7/8" BHCS w/pin with 3/8" SAE flat washers and 3/8" standard hex nuts with 3/8" SAE flat washers. Refer to the Deck Attachment Detail.

Direct Bury

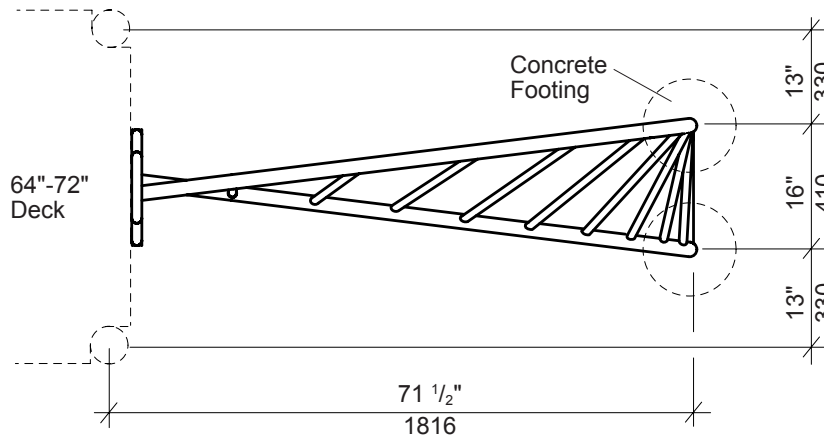
- 4) With the sky rail climber plumb, pour concrete footings. Allow concrete footings to cure a minimum of 72 hours before users are allowed to play on the structure.

Surface Mount (Allowing 2"+ Depth Of Protective Surfacing)

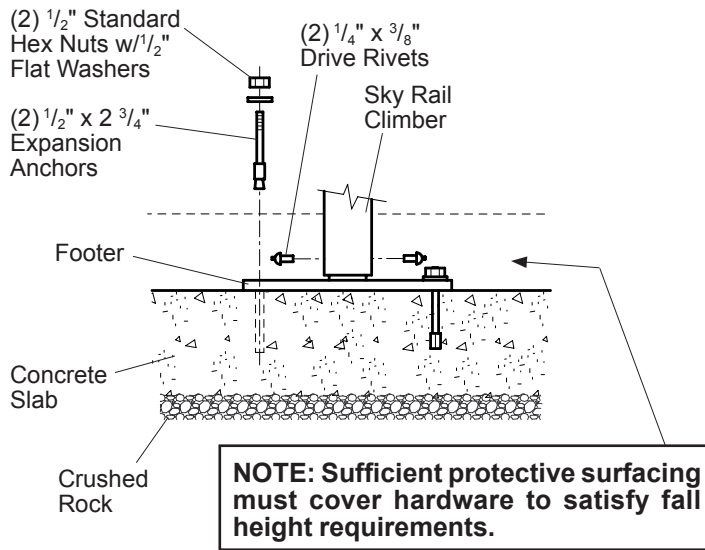
Using a 1/2" hammer drill and 1/2" masonry bit, drill anchor bolt holes into concrete slab 3" deep through holes in footer plate as shown. Tap expansion anchors into holes and fasten using 1/2" flat washers and 1/2" standard hex nuts, as shown.

- 5) Install protective surfacing before users are allowed to play on the structure.

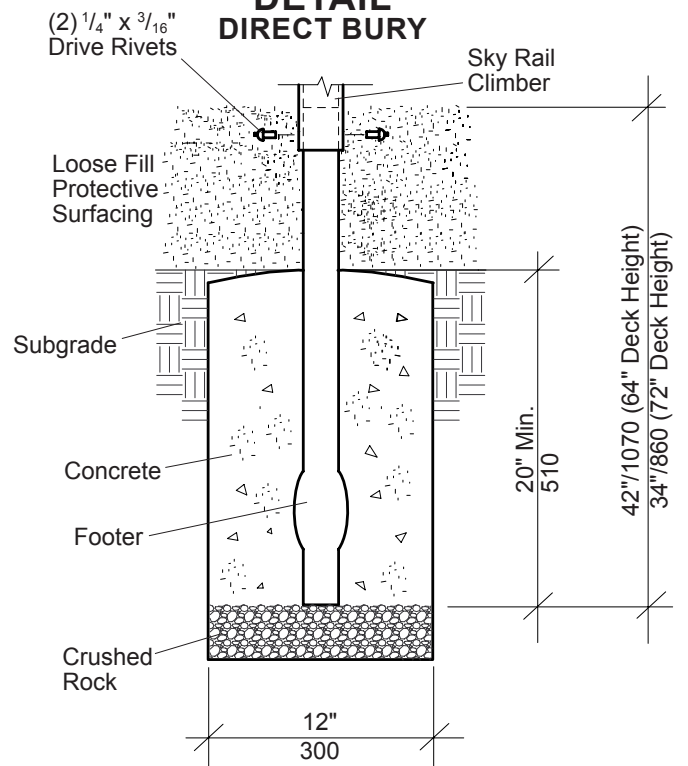
PLAN VIEW/FOOTING LAYOUT



DETAIL SURFACE MOUNT

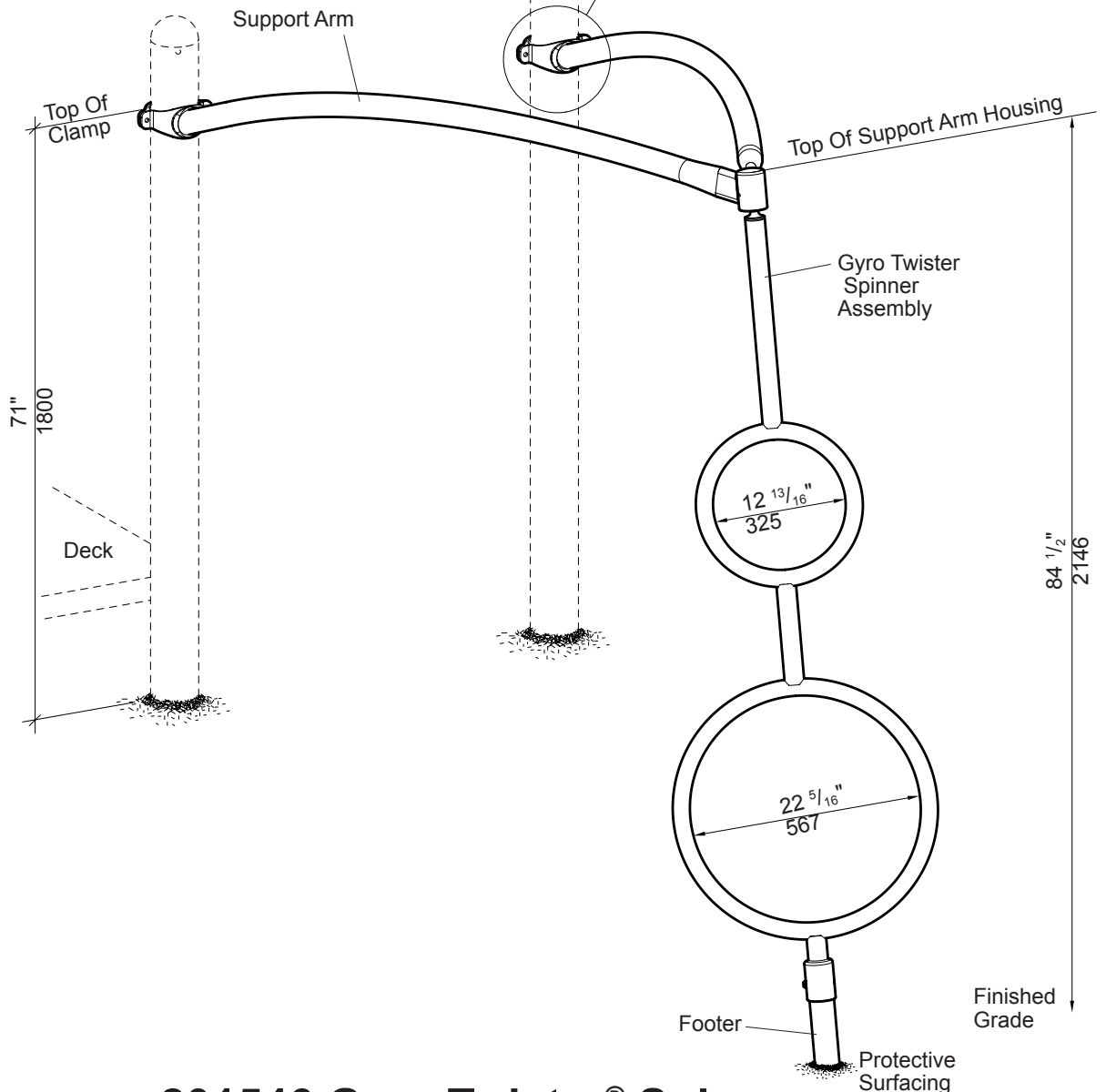
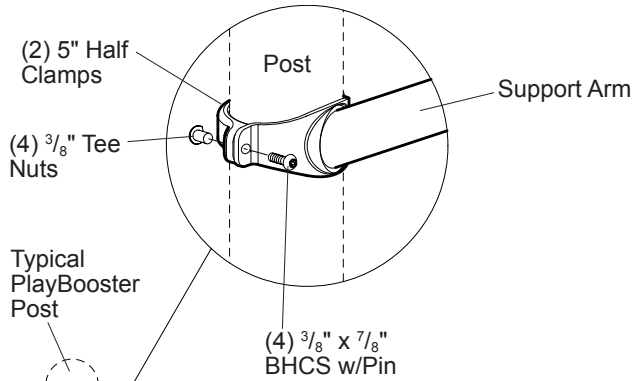
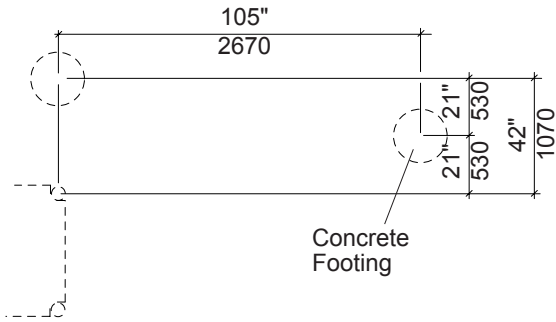


DETAIL DIRECT BURY



DETAIL
SUPPORT ARM ATTACHMENT

PLAN VIEW/FOOTING LAYOUT





PlayBooster® 201546 Gyro Twister® Spinner

Parts List

Part#	Description	Qty.
100610	1/4" x 5/8" Drive Rivet, AL/SST	2
105327	5" Half Clamp, Specify Color	2
171114	Gyro Twister Spinner Assembly, Specify Color	1
157092	Footer, (DB), Specify Color	*
160514	Gyro Twister Post, (SM), Specify Color	*
186027	Spinner UHMW Bushing	4
195055	Support Arm, Specify Color	1
160502	Gyro Twister Hardware Package	1
100196	3/8" x 7/8" BHCS w/Pin, SST	4
100351	3/8" T-Nuts, SST	4
131849	5/16" x 1/2" BHCS w/Pin, SST	4
121348	4-Hole (SM) Hardware Package	1
100266	1/2" x 2 3/4" Expansion Anchor	4
100322	1/2" Standard Hex Nut, SST	4
100363	1/2" Flat Washer, SST	4

DB = Direct Bury

SM = Surface Mount

* = Determined By Your Order

Specifications

Support Arm: Weldment comprised of 2.375" (60,33 mm) O.D. RS40 (.130"-.140") (3,30 mm - 3,56 mm) wall galvanized steel tube, 2.750" (69,85 mm) O.D. 1018 steel, and 1/4" (6,35 mm) HRPO flat steel. Finish: ProShield®, color specified.

Gyro Twister Spinner Assy.: Weldment comprised of 1.900" (48,26 mm) O.D. RS40 (.130"-.140") (3,30 mm - 3,55 mm) wall galvanized steel tube, 1.660" (42,16 mm) O.D. RS40 (.111"-.121") (2,82 mm-3,07 mm) galvanized steel tube, 3/16" (4,75 mm) HRPO steel plate and 1 7/8" (47,63 mm) steel ball. Finish: ProShield, color specified.

Bushing: Oil-filled UHMW PE.

Footer: Weldment comprised of 2.375" (60,33 mm) O.D. RS40 (.130"-.140") (3,30 mm - 3,55 mm) wall galvanized steel tube, 12 Ga. (.105") (2,67 mm) HR flat steel and 1 7/8" (47,63 mm) steel ball. Finish: ProShield, color specified.

Fasteners: Primary fasteners shall be socketed and pinned tamperproof in design, stainless steel (SST) per ASTM F 879 unless otherwise indicated (see specific product installation/specifications).

Installation Time: (DB) Approx. 1 3/4 man hours

(SM) Approx. 1 1/2 man hours

Concrete Req.: (DB) Approx. 2.94 cu. ft.

Min. Use Zone: 6' (1830 mm) minimum use zone

Weight: (DB) 106 lbs.

(SM) 103 lbs.

Fall Height: 50" (1270 mm)

Installation Instructions

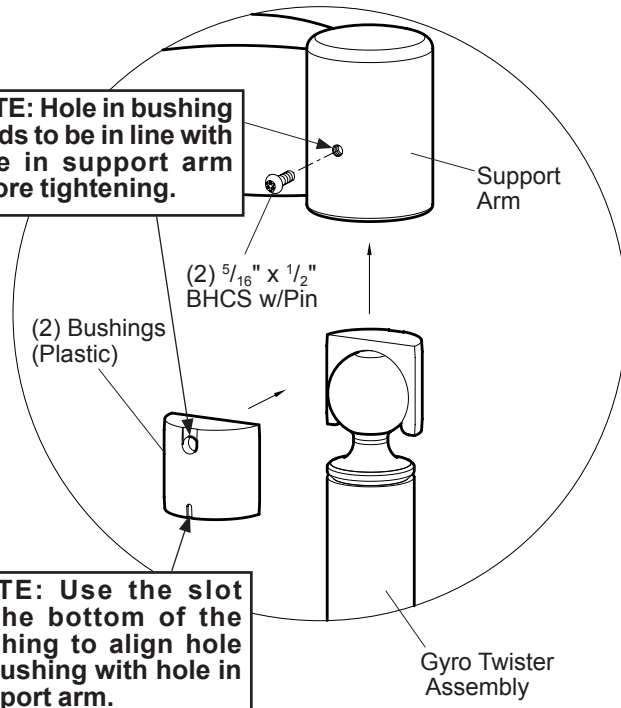
- 1) **(Direct Bury)** Dig footing as shown. Refer to the Plan View Footing Layout and Footer Attachment Detail.
 - 2) Attach support arm to posts at height shown, using 5" half clamps, 3/8" x 7/8" BHCS w/pin and 3/8" tee nuts. Refer to the Support Arm Attachment Detail.
 - 3) Place a bushing on each side of the footer's/twist post's 1 7/8" ball, as shown. Insert footer/twist post with bushings into Gyro Twister assembly. Align holes in bushings with holes in housing. When holes are aligned, insert 5/16" x 1/2" BHCS w/pin. Refer to the Gyro Twister Assembly Detail. **NOTE:** Use the slot in the bottom of the bushing to align holes.
 - 4) Place a bushing on each side of the Gyro Twister assemblies 1 7/8" ball, as shown. Insert Gyro Twister assembly with bushings into upper spinner mount. Align holes in bushings with holes in housing. When holes are aligned, insert 5/16" x 1/2" BHCS w/pin. Refer to the Gyro Twister Assembly Detail. **NOTE:** Use the slot in the bottom of the bushing to align holes.
 - 5) **(Direct Bury)** Place a level on the footer gusset, when gusset is plumb, pour concrete footing. Allow concrete footing to cure a minimum of 72 hours before users are allowed to play on structure. **NOTE:** Gyro Twister assembly will have to be propped in position, until concrete has cured.
- (Surface Mount)** Drill 1/2" x 3" deep holes through twist post plate using hammer drill and 1/2" masonry bit. Tap expansion anchors into drilled holes. Fasten twist post to expansion anchors using 1/2" standard hex nuts with 1/2" flat washers.
- 6) Install 1/4" x 5/8" drive rivets in 5" half clamps. Drill through hole in half clamp and into 5" post with a 1/4" or "F" (only) drill bit, insert rivet in hole and hammer rivet pin in until it is flush with head.
 - 7) Install protective surfacing before users are allowed to play on the structure.

SAFETY NOTE
 Choose a protective surfacing material that has a Critical Height Value of at least the height of the Highest Accessible Part/Fall Height of the adjacent equipment. (Ref. ASTM F1487.)

178242a

**DETAIL
 GYRO TWISTER SPINNER
 ASSEMBLY**

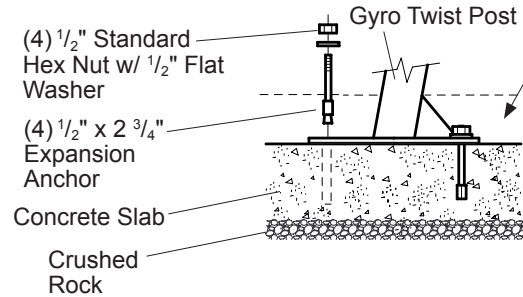
NOTE: Hole in bushing needs to be in line with hole in support arm before tightening.



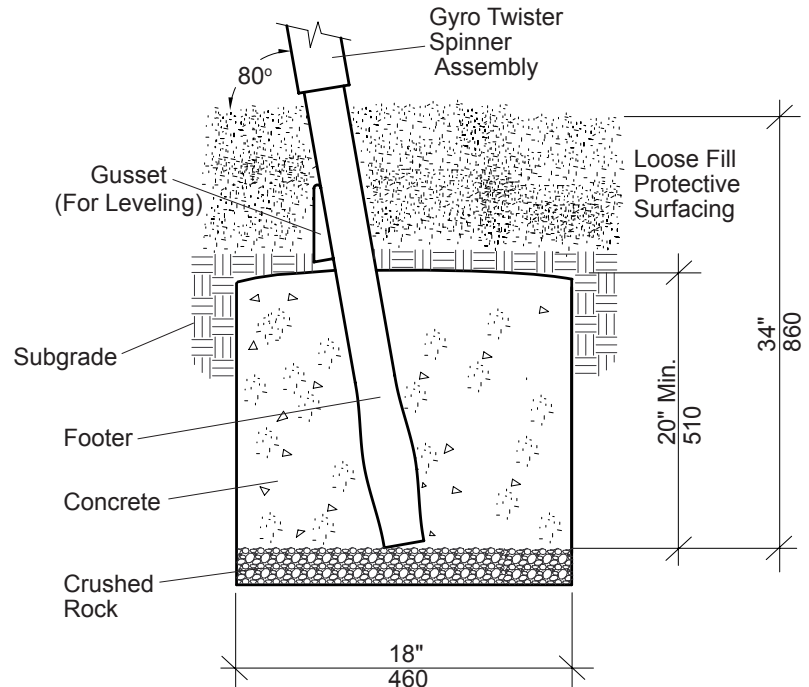
NOTE: Use the slot in the bottom of the bushing to align hole in bushing with hole in support arm.

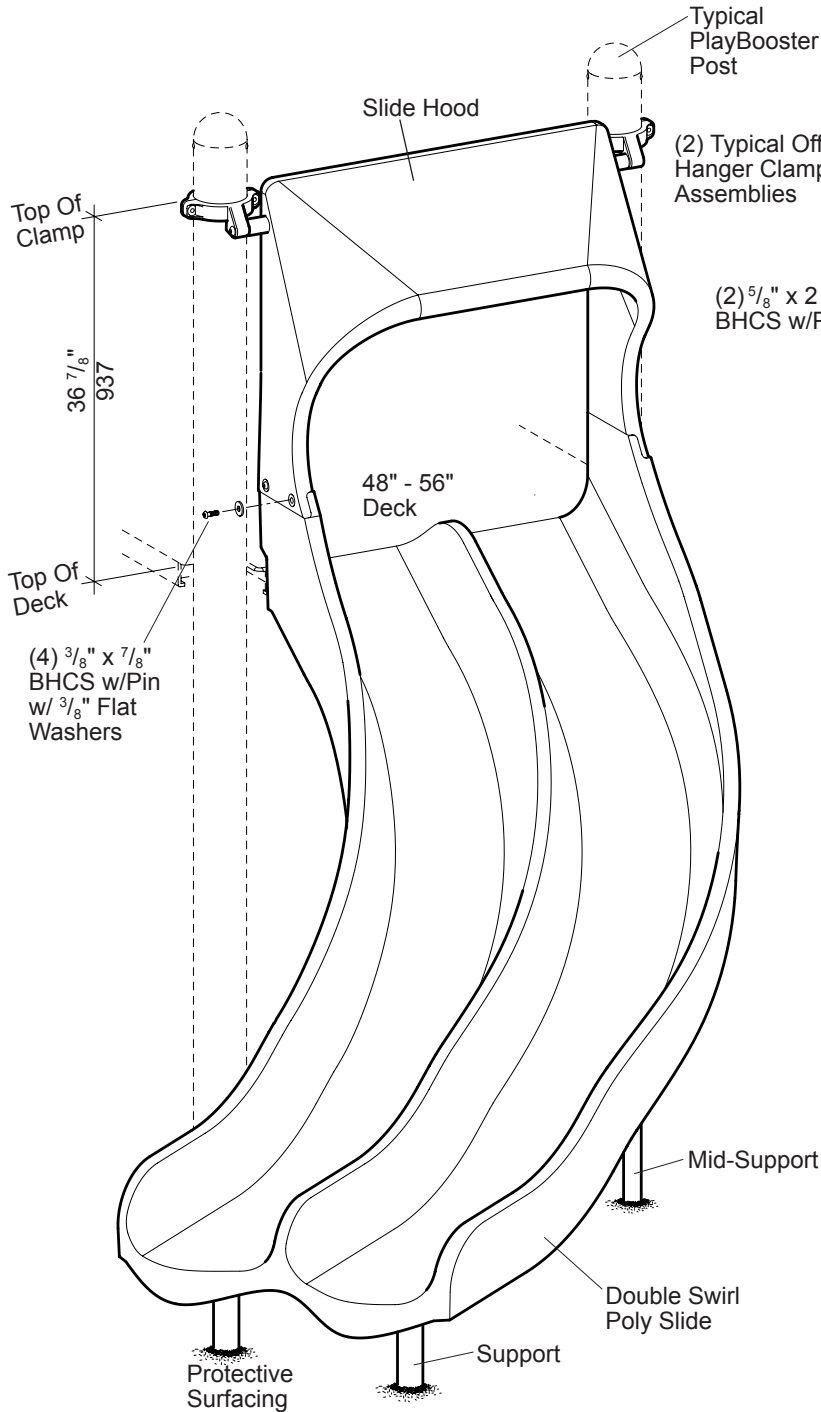
NOTE: Sufficient protective surfacing must cover hardware to satisfy fall height requirements.

**DETAIL
 SURFACE MOUNT**

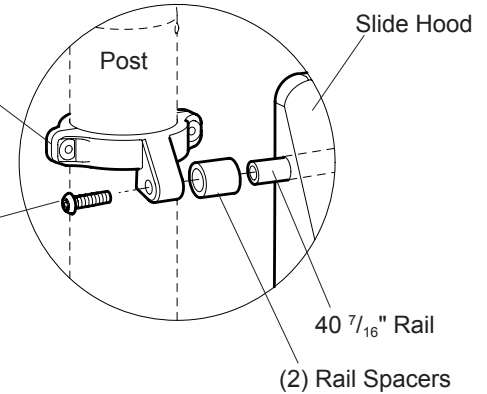


**DETAIL
 FOOTER ATTACHMENT**

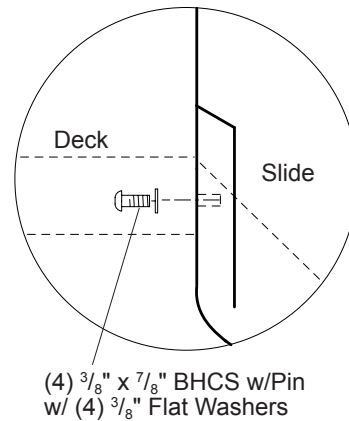




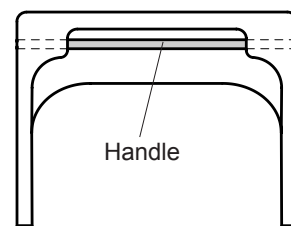
**DETAIL
SLIDE HOOD ASSEMBLY**



**DETAIL
DECK CONNECTION**



SLIDE HOOD - HANDLE DETAIL





PlayBooster® 130798 Double Swirl Slide, 48"-56"

Parts List

Part#	Description	Qty.
127404	Double Swirl Slide, Specify Color	1
128777	Slide Hood, Specify Color.....	1
100583	40 7/16" Aluminum Rail, Specify Color.....	1
105327	5" Half Clamp, Specify Color	2
113729	Offset Hanger Clamp, Specify Color	2
132443	Rail Spacer, Specify Color	2
100610	1/4" x 5/8" Drive Rivet AL/SST	2
150941	Support (DB), Specify Color.....	2
128517	Mid-Support (DB), Specify Color.....	1
151028	Support 48" Deck (SM), Specify Color.....	2
210562	Support 56" Deck (SM), Specify Color.....	2
128518	Mid-Support 48" Deck (SM), Specify Color.....	1
128519	Mid-Support 56" Deck (SM), Specify Color.....	1
243321	Double Swirl Slide Hardware Package	1
100196	3/8" x 7/8" BHCS w/Pin, SST	12
100203	5/8" x 2 1/4" BHCS w/Pin, SST	2
100292	3/8" x 1 1/4" BHCS w/Pin Ltd. Thread Bolt.....	6
100351	3/8" Tee Nut, SST.....	4
100362	3/8" Flat Washer, SST	20
111442	Rubber Bushing.....	6
111392	2-Hole (SM) Hardware Package	1
100266	1/2" x 2 3/4" Expansion Anchor	2
100322	1/2" Standard Hex Nut, SST	2
100363	1/2" Flat Washer, SST	2
121348	4 Hole (SM) Hardware Package	1
100266	1/2" x 2 3/4" Expansion Anchor	4
100322	1/2" Standard Hex Nut, SST	4
100363	1/2" Flat Washer, SST	4

DB=Direct Bury
SM=Surface Mount

Specifications

Slide:	Rotationally molded from U.V. stabilized linear low density polyethylene, color specified.
Rail Spacer:	Fabricated from 1.3125 O.D. x 16 Ga. (.065) steel tubing. Finish: ProShield®, color specified.
Hood:	Rotationally molded from U.V. stabilized linear low density polyethylene, color specified.
Rail:	Extruded from 1.125" O.D. x .312" W. 6005-T5 aluminum. Finish: ProShield, color specified.
Mid-Support:	Weldment comprised of 1.660" O.D. RS-20 (.085" - .095") galvanized steel tubing and 1/4" x 3" mounting plate. Finish: ProShield, color specified.
Support:	Weldment comprised of 2.375" O.D. RS-20 (.095" - .105") galvanized steel tubing and 1/4" x 3" mounting plate. Finish: ProShield, color specified.
Offset Hanger Clamp Assembly:	Cast aluminum. Finish: ProShield, color specified.
Fasteners:	Primary fasteners shall be socketed and pinned tamperproof in design, stainless steel (SST) per ASTM F 879 unless otherwise indicated (see specific product installation/specifications).
Installation Time:	SM - Approx. 2 man hours

Concrete Req.: DB - Approx. 3 man hours
Approx. 2.6 cu. ft.
Area Req.: 6' (1.83 m) minimum use zone at exit
Weight: 176 lbs.
Fall Height: 48" (1.22 m) Deck Height
56" (1.42 m) Deck Height

Installation Instructions

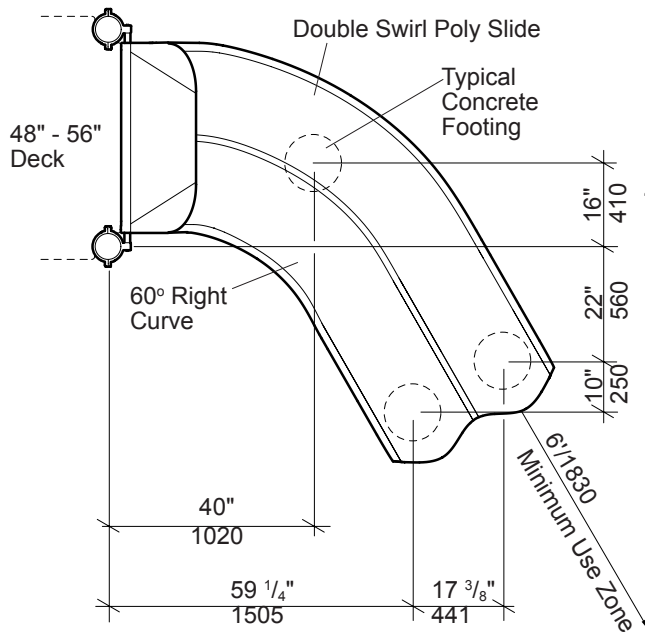
Direct Bury

- 1) Dig footings spaced as shown.
- 2) Attach the supports to the slide using 3/8" x 1 1/4" BHCS w/Pin limited thread bolts, 3/8" flat washers, rubber bushings and 3/8" flat washers. Refer to the Support Attachment Detail. **NOTE:** Attach bolts in the center of the slots to allow for expansion and contraction. Snug bolts down only, do not overtighten!
- 3) Attach the slide to the face of the deck using 3/8" x 7/8" BHCS w/Pin with 3/8" flat washers. Refer to the Deck Connection Detail.
- 4) Attach the slide hood to the slide using 3/8" x 7/8" BHCS w/Pin with 3/8" flat washers.
- 5) Insert 40 7/16" rail through top of hood, place rail spacers over each end of the 40 7/16" rail and attach to posts at height shown using offset hanger clamp assemblies. Refer to the Typical Offset Hanger Clamp Spec Sheet.
- 6) Prop the end of the slide according to the proper deck height. With supports plumb pour concrete footings. Allow concrete footings to cure for a minimum of 72 hours before users are allowed to play on the structure.
- 7) Install protective surfacing before users are allowed to play on the structure.

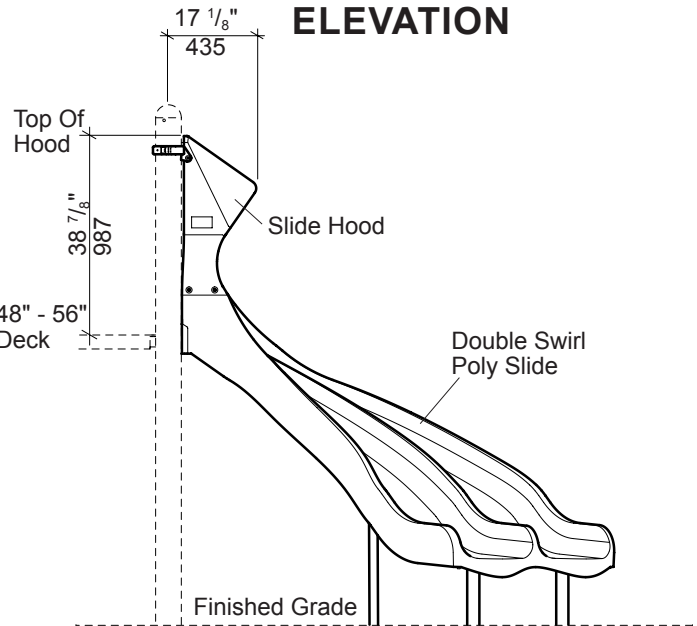
Surface Mount

- 1) Attach the supports to the slide using 3/8" x 1 1/4" BHCS w/Pin limited thread bolts, 3/8" flat washers, rubber bushings and 3/8" flat washers. Refer to the Support Detail. **NOTE:** Attach bolts in the center of the slots to allow for expansion and contraction. Snug bolts down only, do not overtighten!
- 2) Attach the slide to the face of the deck using 3/8" x 7/8" BHCS w/Pin with 3/8" flat washers. Refer to the Deck Connection Detail.
- 3) Mark anchor bolt locations on concrete slab through holes in anchor plates and disconnect slide from the face of the deck. Drill 1/2" x 3" deep holes on marks into concrete using a hammer drill and 1/2" masonry bit. Tap expansion anchors into drilled holes. Reposition slide and reattach to the face of the deck following step 2. Fasten support to expansion anchors using 1/2" standard hex nuts with 1/2" flat washers.
- 4) Attach the slide hood to the slide using 3/8" x 7/8" BHCS w/Pin with 3/8" flat washers.
- 5) Insert 40 7/16" rail through top of hood, place rail spacers over each end of the 40 7/16" rail and attach to posts at height shown using offset hanger clamp assemblies. Refer to the Typical Offset Hanger Clamp Spec Sheet.
- 6) Install protective surfacing before users are allowed to play on the structure.

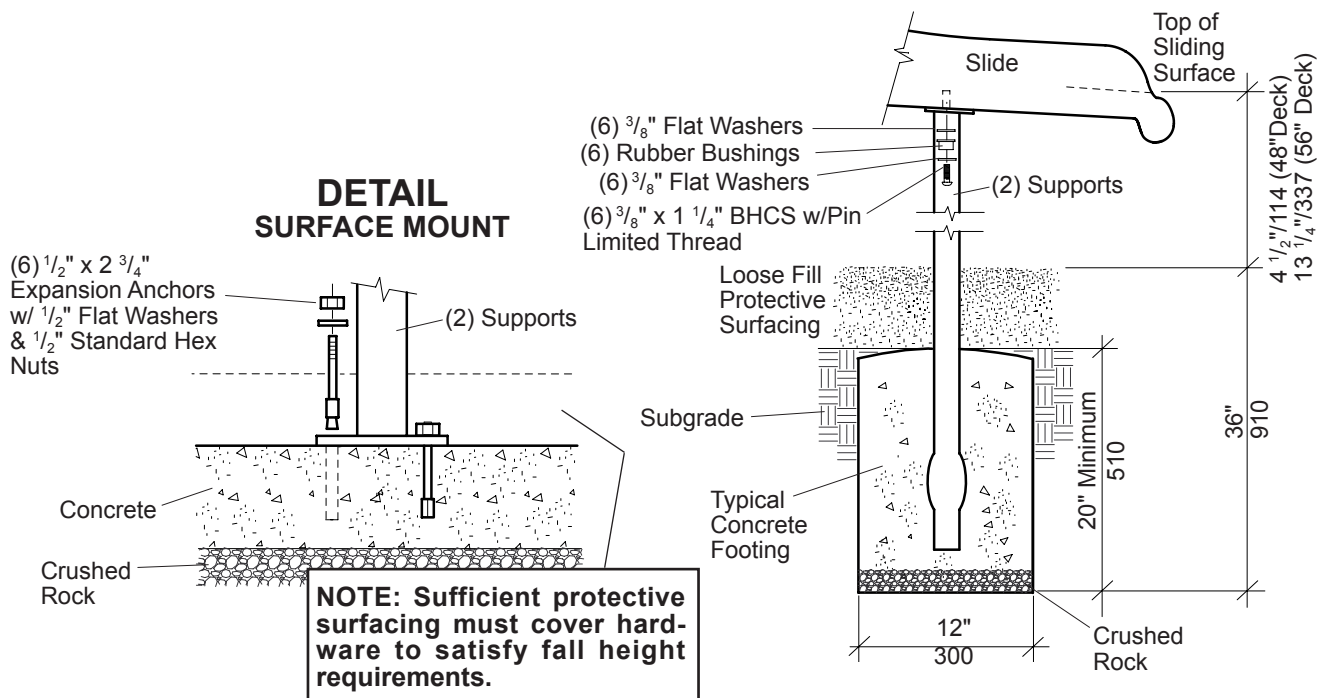
PLAN VIEW/FOOTING LAYOUT



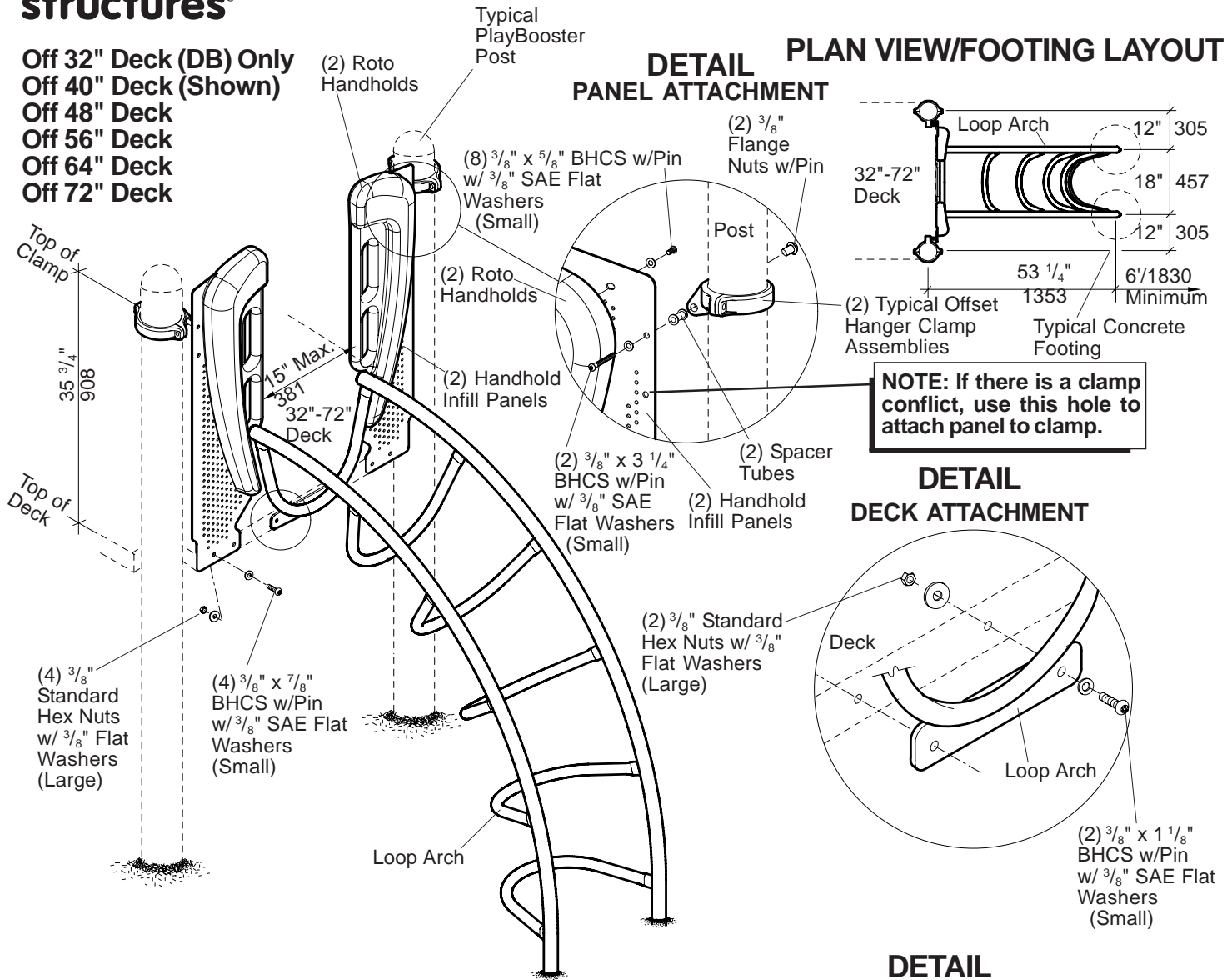
ELEVATION



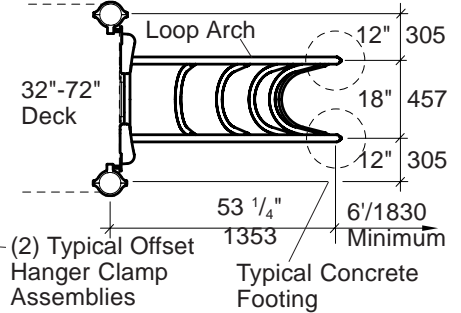
DETAIL SUPPORT ATTACHMENT



Off 32" Deck (DB) Only
Off 40" Deck (Shown)
Off 48" Deck
Off 56" Deck
Off 64" Deck
Off 72" Deck

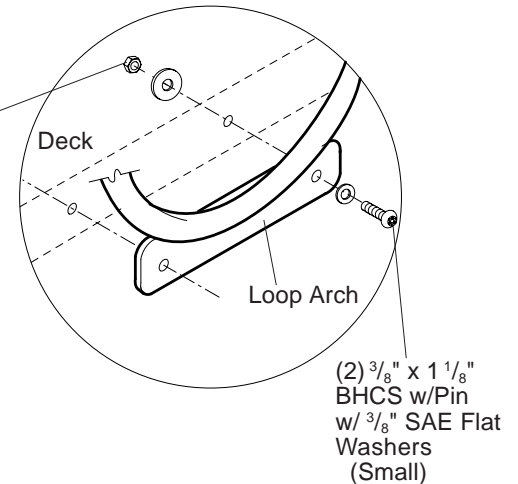


DETAIL PLAN VIEW/FOOTING LAYOUT

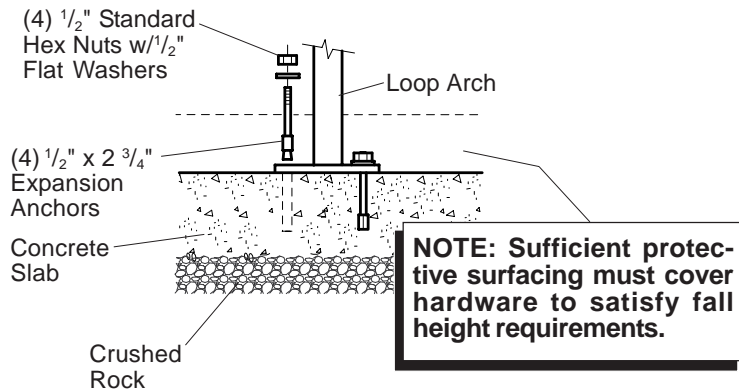


NOTE: If there is a clamp conflict, use this hole to attach panel to clamp.

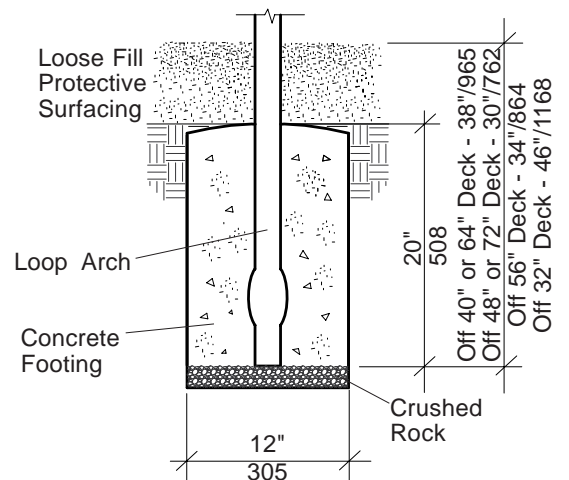
DETAIL DECK ATTACHMENT



DETAIL SURFACE MOUNT



DETAIL DIRECT BURY



PlayBooster® 178958 Loop Arches, w/ Vibe® Handholds, 32"-72"

PlayBooster® 178958 Loop Arches, w/ Vibe® Handholds, 32"-72"

Parts List

Part#	Description	Qty.
100610-00	1/4" x 3/8" Drive Rivet, AL/SST	2
105327-01	5" Half Clamp, Specify Clamp	2
111595-00	32", 40" & 48" Loop Arch (DB), Specify Color	1
111596-00	56" Loop Arch (DB), Specify Color	1
111597-00	64" & 72" Loop Arch (DB), Specify Color	1
111598-00	40" Loop Arch (SM), Specify Color	1
111599-00	48" Loop Arch (SM), Specify Color	1
111600-00	56" Loop Arch (SM), Specify Color	1
111601-00	64" Loop Arch (SM), Specify Color	1
111602-00	72" Loop Arch (SM), Specify Color	1
113468-00	Spacer Tube, Specify Color	2
113729-00	Offset Hanger Clamp, Specify Color	2
177645-00	Roto Double Handhold, Right, Specify Color	1
177646-00	Roto Double Handhold, Left, Specify Color	1
178742-00	Double Handhold Infill, Specify Color	2
182512-00	Rivets/O-Rings Hardware Package	1
182457-00	O-Ring	6
160020-00	Snap Rivet, Male	6
160021-00	Snap Rivet, Female	6
179897-00	Vibe Loop Arch (Tenderdeck) Hardware Pkg. ...	1
100168-00	3/8" x 3 1/4" BHCS w/Pin, SST	2
100195-00	3/8" x 5/8" BHCS w/Pin, SST	8
100196-00	3/8" x 7/8" BHCS w/Pin, SST	4
100198-00	3/8" x 1 1/8" BHCS w/Pin, SST	6
100327-00	3/8" Standard Hex Nut, SST	6
100351-00	3/8" Tee Nut, SST	4
100353-00	3/8" Flange Nut w/Pin, SST	2
100362-00	3/8" Flat Washer, SST	6
100365-00	3/8" SAE Flat Washer, SST	16
121348-00	4 Hole (SM) Hardware Package	1
100266-00	1/2" x 2 3/4" Expansion Anchor	4
100322-00	1/2" Standard Hex Nut, SST	4
100363-00	1/2" Flat Washer, SST	4

DB = Direct Bury
SM = Surface Mount

Specifications

Loop Arch: Weldment comprised of 1.660 (42,16 mm) O.D. RS-20 (.085" - .095") (2,16 mm-2,41 mm) galvanized steel tubing, 1.315" O.D. RS-20 (.080" - .090") galvanized steel tubing and 1/4" (6,35 mm) flat steel. Finish: ProShield®, color specified.

Infill Panel: Made from 7GA. (.179") (4,55 mm) thick HRPO steel sheet zinc plated. Finish: ProShield, color specified.

Roto Handhold: Rotationally molded from U.V. stabilized linear low density polyethylene, color specified.

Spacer Tube: Made from 6061-T6 aluminum 7/8" (22,23 mm) O.D. x 1 11/16" (42,85 mm). Finish: ProShield, color specified.

Offset Hanger Clamp Assembly: Cast aluminum. Finish: ProShield, color specified.

Fasteners: Primary fasteners shall be socketed and pinned tamperproof in design, stainless steel (SST) per ASTM F 879 unless otherwise indicated (see specific product installation/specifications).

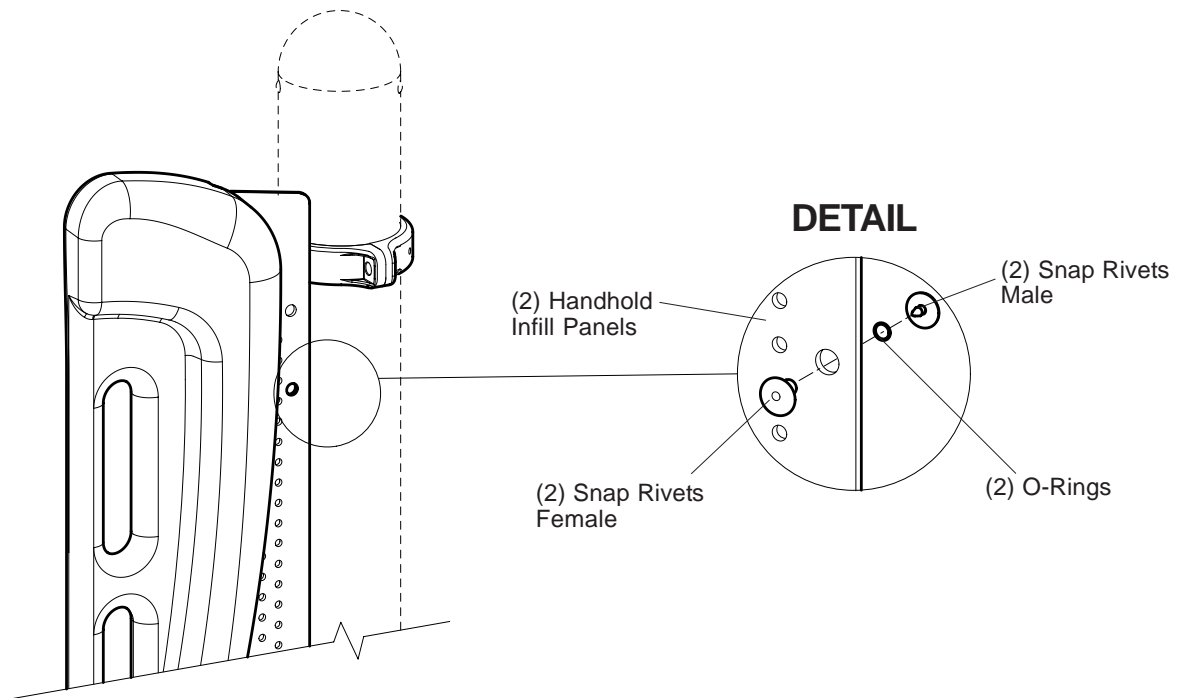
Installation Time: SM - Approx. 1 1/2 man hours
DB - Approx. 2 1/2 man hours
Concrete Req.: Approx. 2.6 cu. ft.
Weight: 32", 40" & 48" - 103 lbs.
56" - 108 lbs.
64" & 72" - 113 lbs.
Fall Height: Deck Height

Installation Instructions

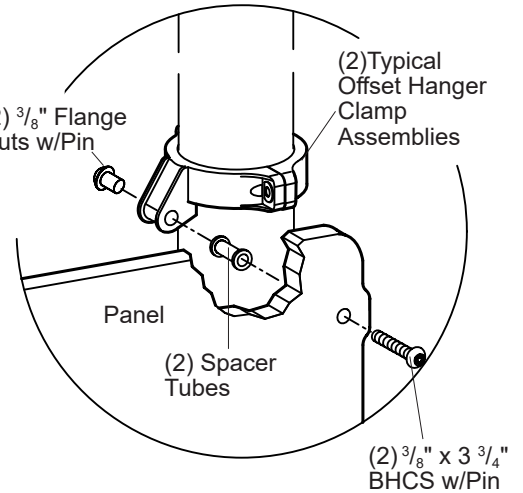
- (Direct Bury)** Dig footing holes spaced as shown.
- Attach loop arch to deck using 3/8" x 1 1/8" BHCS w/pin with 3/8" SAE flat washers (small) and 3/8" standard hex nuts with 3/8" flat washers (large).
- Attach roto handholds to handhold infill panels, using 3/8" x 5/8" BHCS w/pin and 3/8" SAE flat washers (small). Refer to the Panel Attachment Detail.
- Attach handhold infill panels to deck, using 3/8" x 7/8" BHCS w/pin with 3/8" SAE flat washers (small) and 3/8" standard hex nuts with 3/8" flat washers (large).
- Attach offset hanger clamps to handhold infill panels, using 3/8" x 3 1/4" BHCS w/pin, 3/8" SAE flat washers (small), spacer tubes and 3/8" flange nuts w/pin. Refer to the Panel Attachment Detail.
- Attach offset hanger clamps to post, using 5" half clamps, 3/8" x 1 1/8" BHCS w/pin and 3/8" tee nuts. Refer to the Typical Offset Hanger Clamp Spec Sheet.
- Install snap rivets and o-rings through unused 1/2" diameter holes in handhold infill panels. Refer to the Snap Rivet Attachment Detail.
- (Direct Bury)** With loop arch in final position, pour concrete footings. Allow concrete footings to cure a minimum of 72 hours before users are allowed to play on the structure.

- (Surface Mount)** Mark anchor bolt locations on concrete slab through holes in anchor plate and remove loop arch. Drill 1/2" x 3" deep holes on marks into concrete using hammer drill and 1/2" masonry bit. Tap expansion anchors into drilled holes. Reposition loop arch and reattach to the face of the deck following step 2. Fasten anchor plates to expansion anchors using 1/2" standard hex nuts with 1/2" flat washers.
- Install protective surfacing before users are allowed to play on the structure.

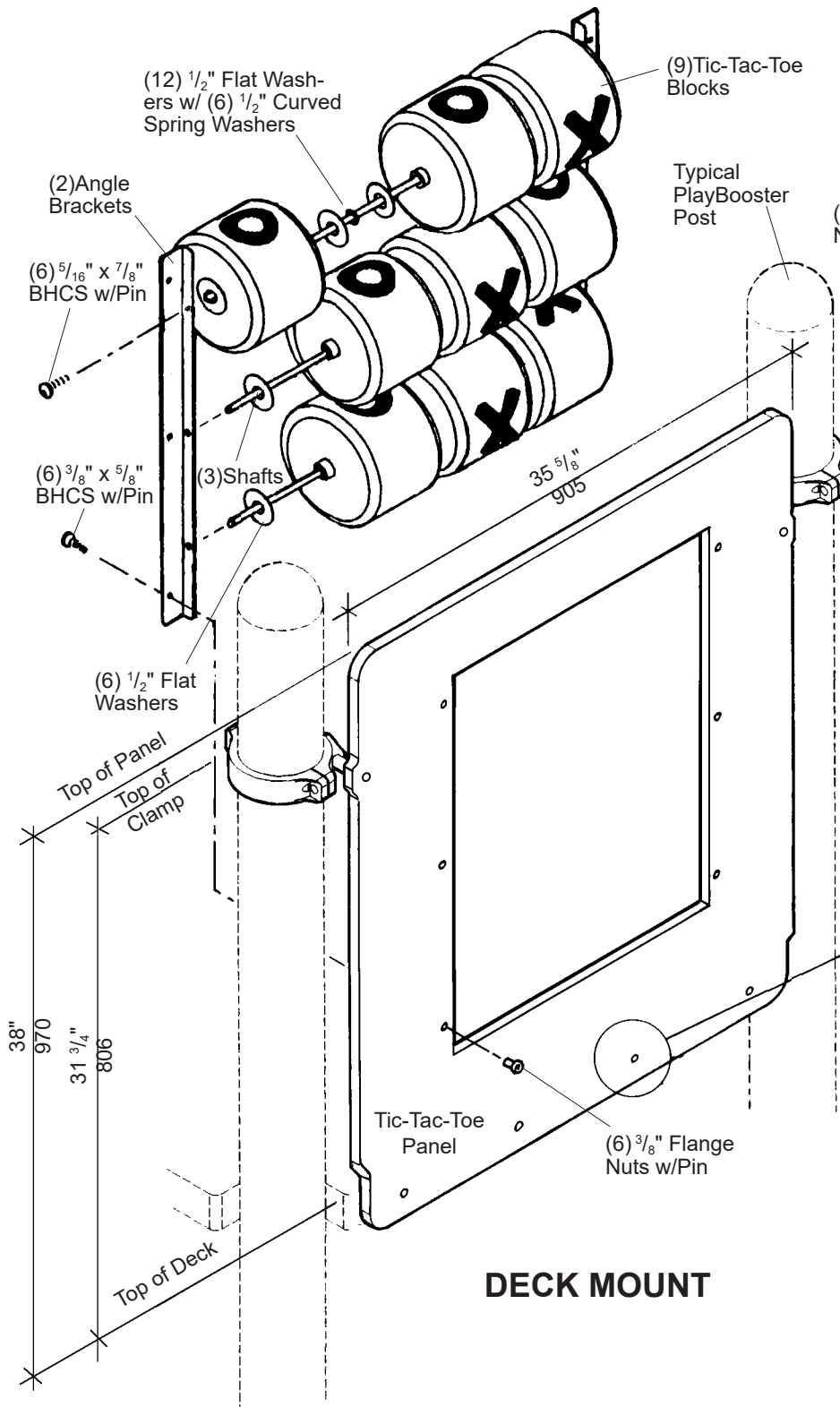
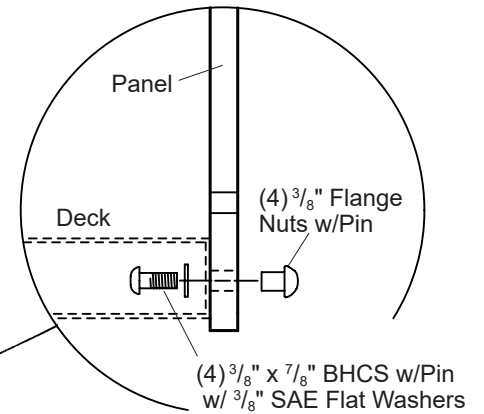
DETAIL
SNAP RIVET ATTACHMENT
(FOR FILLING UNUSED 1/2" DIAMETER HOLES)



**DETAIL
PANEL ATTACHMENT**



**DETAIL
TENDERDECKS**



Parts List

Part#	Description	Qty.
ABOVE DECK		
105327	5" Half Clamp, Specify Color	2
113729	Offset Hanger Clamp, Specify Color.....	2
113468	Spacer Tube, Specify Color.....	2
104715	Tic-Tac-Toe Bracket, Specify Color.....	2
130642	Tic-Tac-Toe Block, Tan	9
113434	Tic-Tac-Toe Panel, Specify Color	1
137157	Shaft Set.....	1
106174	Shaft 1/2 Dia x 20.75" Set, SST	3
134725	Tic-Tac-Toe Hardware Package	1
132626	5/16" x 7/8" BHCS w/Pin, SST	6
100195	3/8" x 5/8" BHCS w/Pin, SST	6
100353	3/8" Flange Nut w/Pin, SST	6
100363	1/2" Flat Washer, SST	18
100380	1/2" Curved Spring Washer.....	6
124900	Tenderdeck Mounting Hardware Package	1
124460	3/8" x 3 3/4" BHCS w/Pin, SST	2
100196	3/8" x 7/8" BHCS w/Pin, SST	4
100198	3/8" x 1 1/8" BHCS w/Pin, SST	4
100351	3/8" Tee Nut, SST.....	4
100353	3/8" Flange Nut w/Pin, SST.....	6
100365	3/8" SAE Flat Washer, SST.....	4
BELOW DECK		
105327	5" Half Clamp, Specify Color	4
113729	Offset Hanger Clamp, Specify Color.....	4
113468	Spacer Tube, Specify Color.....	2
113464	Angled Panel Bracket, Specify Color.....	1
104715	Tic-Tac-Toe Bracket, Specify Color.....	2
106174	Shaft, SST.....	3
130642	Tic-Tac-Toe Block, Tan	9
113434	Tic-Tac-Toe Panel, Specify Color	1
100610	1/4" x 5/8" Drive Rivet, AL/SST	4
134725	Tic-Tac-Toe Hardware Package	1
132626	5/16" x 7/8" BHCS w/Pin, SST	6
100195	3/8" x 5/8" BHCS w/Pin, SST	6
100353	3/8" Flange Nut w/Pin, SST	6
100363	1/2" Flat Washer, SST	18
100380	1/2" Curved Spring Washer.....	6
124947	Below Deck Mounting Hardware Package	1
124460	3/8" x 3 3/4" BHCS w/Pin, SST	2
100195	3/8" x 5/8" BHCS w/Pin, SST	4
100198	3/8" x 1 1/8" BHCS w/Pin, SST	8
100203	5/8" x 2 1/4" BHCS w/Pin, SST	2
100351	3/8" Tee Nut, SST.....	8
100353	3/8" Flange Nut w/Pin, SST.....	6

Specifications

Permalene® Panel:	Solid color panel measures 35 5/8" wide x 41" high, color specified.
Tic-Tac-Toe Blocks:	Rotationally molded from U.V. stabilized linear low density polyethylene, tan in color with brown molded-in symbols.
Tic-Tac-Toe Brkt:	Formed from .125" thick 5052 aluminum. Finish: ProShield®, color specified.
Shafts:	Fabricated from 1/2" diameter stainless steel with ends tapped 5/16" 18UNC-2B.
Angled Panel Brkt:	Weldment comprised of .190" thick 5052 aluminum formed angle with (2) 6061-T6 aluminum threaded tubes 1 1/8" O.D. x 1 1/2" long. Finish: ProShield, color specified.
Spacer Tube:	Made from 6061-T6 aluminum 7/8" O.D. x 1 1/16". Finish: ProShield, color specified.
Offset Hanger Clamp Assembly:	Cast aluminum. Finish: ProShield, color specified.
Fasteners:	Primary fasteners shall be socketed and pinned tamperproof in design, stainless steel (SST) per ASTM F 879 unless otherwise indicated (see specific product

installation/specifications).

Installation Time:	Above Deck Approx. 3/4 man hour Below Deck Approx. 1 man hour
Weight:	Above Deck 50 lbs. Below Deck 56 lbs.

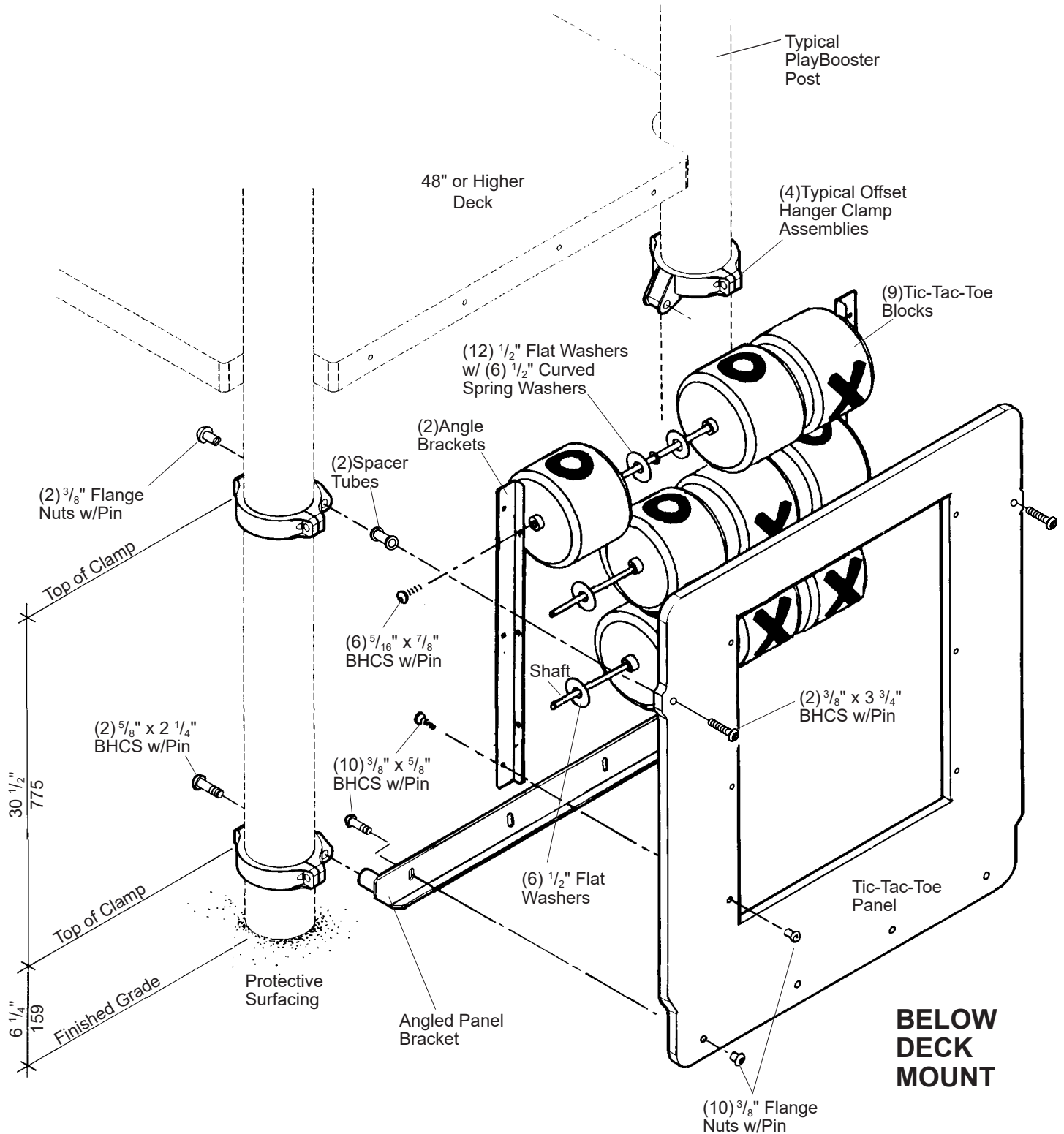
Installation Instructions

ABOVE DECK (See Sheet 1 of 2)

- 1) Attach panel to the face of the deck using 3/8" x 7/8" BHCS w/pin with 3/8" SAE flat washers and 3/8" flange nuts w/pin. See Detail.
- 2) Attach offset hanger clamp assemblies to posts at height shown, using 5" half clamps and 3/8" x 1 1/8" BHCS w/pin with 3/8" tee nuts. Refer To The Typical Offset Hanger Clamp Spec Sheet.
- 3) Attach panel to offset hanger clamp assemblies, using 3/8" x 3 3/4" BHCS w/pin, spacer tubes and 3/8" flange nuts w/pin. See Panel Attachment Detail.
- 4) Attach shafts to one tic-tac-toe bracket, as shown, using 5/16" x 7/8" BHCS w/pin.
- 5) Thread a 1/2" flat washer onto shaft, then one block over shaft followed by a 1/2" flat washer, 1/2" curved spring washer, and 1/2" flat washer, another block etc., ending with a 1/2" flat washer. Continue in this sequence until all blocks are on shafts. Fasten other tic-tac-toe bracket to shafts as previous.
- 6) Attach tic-tac-toe block assembly to panel using (6) 3/8" x 5/8" BHCS w/pin through tic-tac-toe brackets and 3/8" flange nuts w/pin through panel.
- 7) Install protective surfacing before users are allowed to play on the structure.

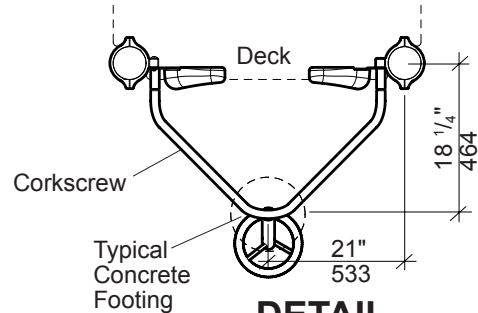
BELOW DECK (See Sheet 2 of 2)

- 1) Attach offset hanger assemblies to posts at height shown, using 5" half clamps and 3/8" x 1 1/8" BHCS w/pin with 3/8" tee nuts. Refer To The Typical Offset Hanger Clamp Spec Sheet.
- 2) Attach angled panel bracket to bottom of panel, using 3/8" x 5/8" BHCS w/pin and 3/8" flange nuts w/pin. See Panel Attachment Detail.
- 3) Attach angled panel bracket with panel to offset hanger clamp assemblies, using 5/8" x 2 1/4" BHCS w/pin. See Below Deck Mount.
- 4) Attach top of panel to offset hanger clamp assemblies, using 3/8" x 3 3/4" BHCS w/pin, spacer tubes and 3/8" flange nuts w/pin. See Typical Attachment To Post Detail.
- 5) Attach shafts to one tic-tac-toe bracket, as shown, using 5/16" x 7/8" BHCS w/pin.
- 6) Thread a 1/2" flat washer onto shaft, then one block over shaft followed by a 1/2" flat washer, 1/2" curved spring washer, and 1/2" flat washer, another block etc., ending with a 1/2" flat washer. Continue in this sequence until all blocks are on shafts. Fasten other tic-tac-toe bracket to shafts as previous.
- 7) Attach tic-tac-toe block assembly to panel, using (6) 3/8" x 5/8" BHCS w/pin through tic-tac-toe brackets and 3/8" flange nuts w/pin through panel.
- 8) Install 1/4" x 5/8" drive rivets in all 5" half clamps. Refer to the Typical Offset Hanger Clamp Spec Sheet.
- 9) Install protective surfacing before users are allowed to play on the

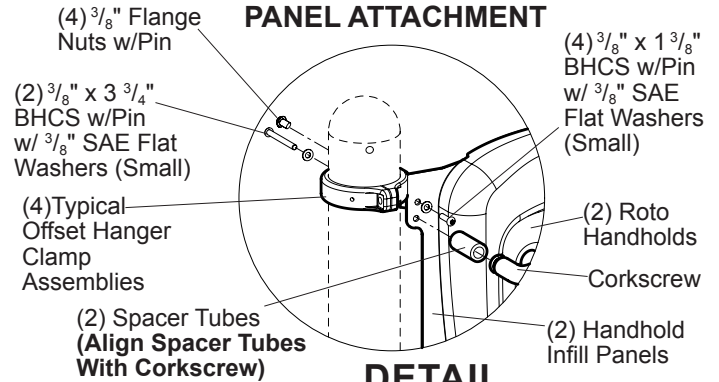


PlayBooster® 115231 Tic-Tac-Toe Panel

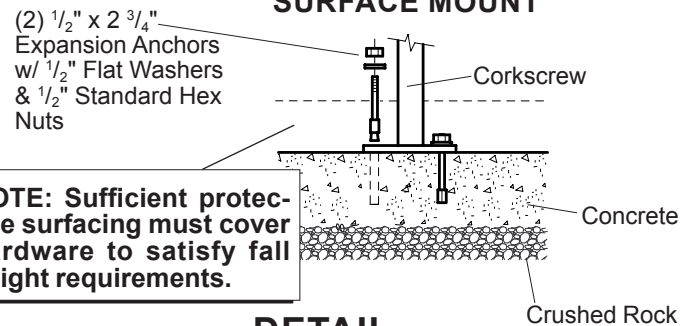
**PLAN VIEW/
FOOTING LAYOUT**



**DETAIL
PANEL ATTACHMENT**

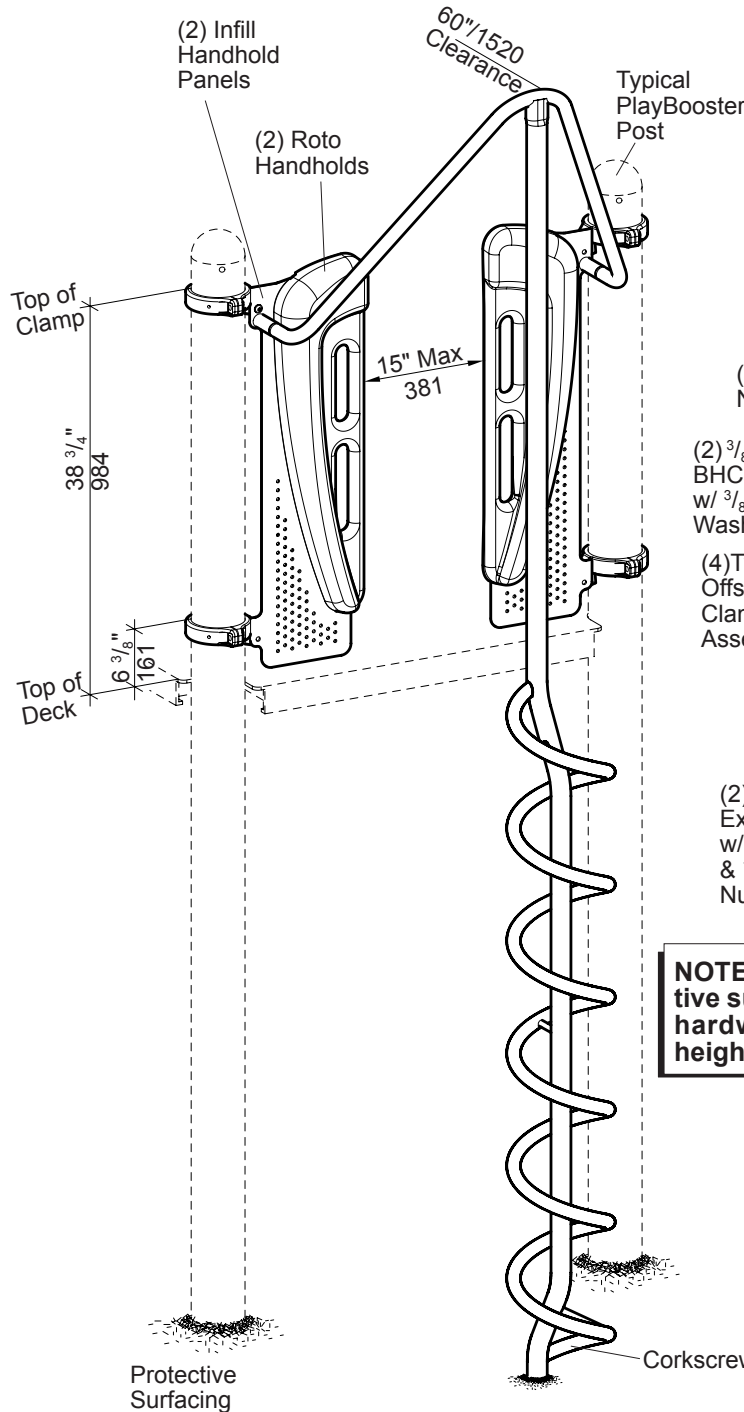
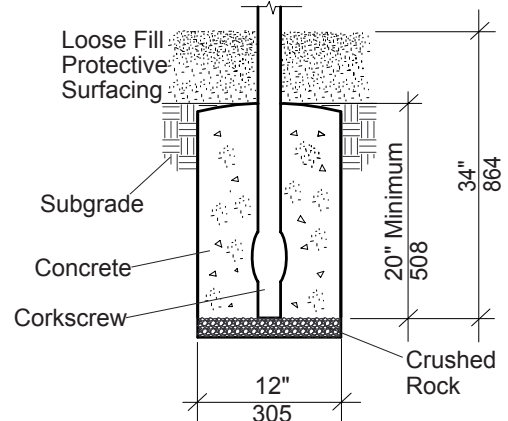


**DETAIL
SURFACE MOUNT**



NOTE: Sufficient protective surfacing must cover hardware to satisfy fall height requirements.

**DETAIL
DIRECT BURY**



72" Deck Height Shown

PlayBooster® 180101 Corkscrew Climber, w/ Vibe® Handholds, 32"-72"



PlayBooster® 180101 Corkscrew Climber, w/ Vibe® Handholds, 32"-72"

Parts List

Part#	Description	Qty.
100610	1/4" x 5/8" Drive Rivet, AL/SST	4
105327	5" Half Clamp, Specify Color	4
214204	3" Spacer Tube, Specify Color	2
113729	Offset Hanger Clamp, Specify Color	4
177534	Double Handhold Roto Left, Specify Color.....	1
177535	Double Handhold Roto Right, Specify Color	1
214240	Double Handhold Infill Panel, Specify Color.....	2
147941	Corkscrew, 32" Deck (DB), Specify Color	1
147942	Corkscrew, 40" Deck (DB), Specify Color	1
147943	Corkscrew, 48" Deck (DB), Specify Color	1
146511	Corkscrew, 56" Deck (DB), Specify Color	1
146512	Corkscrew, 64" Deck (DB), Specify Color	1
146513	Corkscrew, 72" Deck (DB), Specify Color	1
146514	Corkscrew, 32" Deck (SM), Specify Color	1
146515	Corkscrew, 40" Deck (SM), Specify Color	1
146516	Corkscrew, 48" Deck (SM), Specify Color	1
146517	Corkscrew, 56" Deck (SM), Specify Color	1
146518	Corkscrew, 64" Deck (SM), Specify Color	1
146519	Corkscrew, 72" Deck (SM), Specify Color	1
214362	Pole Hardware Package	1
124460	3/8" x 3 3/4" BHCS w/Pin, SST	2
100195	3/8" x 5/8" BHCS w/Pin, SST	8
113027	3/8" x 1 3/8" BHCS w/Pin, SST	4
100198	3/8" x 1 1/8" BHCS w/Pin, SST	8
100351	3/8" Mod T-Nut, SST	8
100353	3/8" Flange Nut w/Pin, SST	4
100365	3/8" SAE Flat Washer, SST	16
111392	2-Hole (SM) Hardware Package	1
100266	1/2" x 2 3/4" Expansion Anchors.....	2
100322	1/2" Standard Hex Nut, SST	2
100363	1/2" Flat Washer, SST	2

DB = Direct Bury
SM = Surface Mount

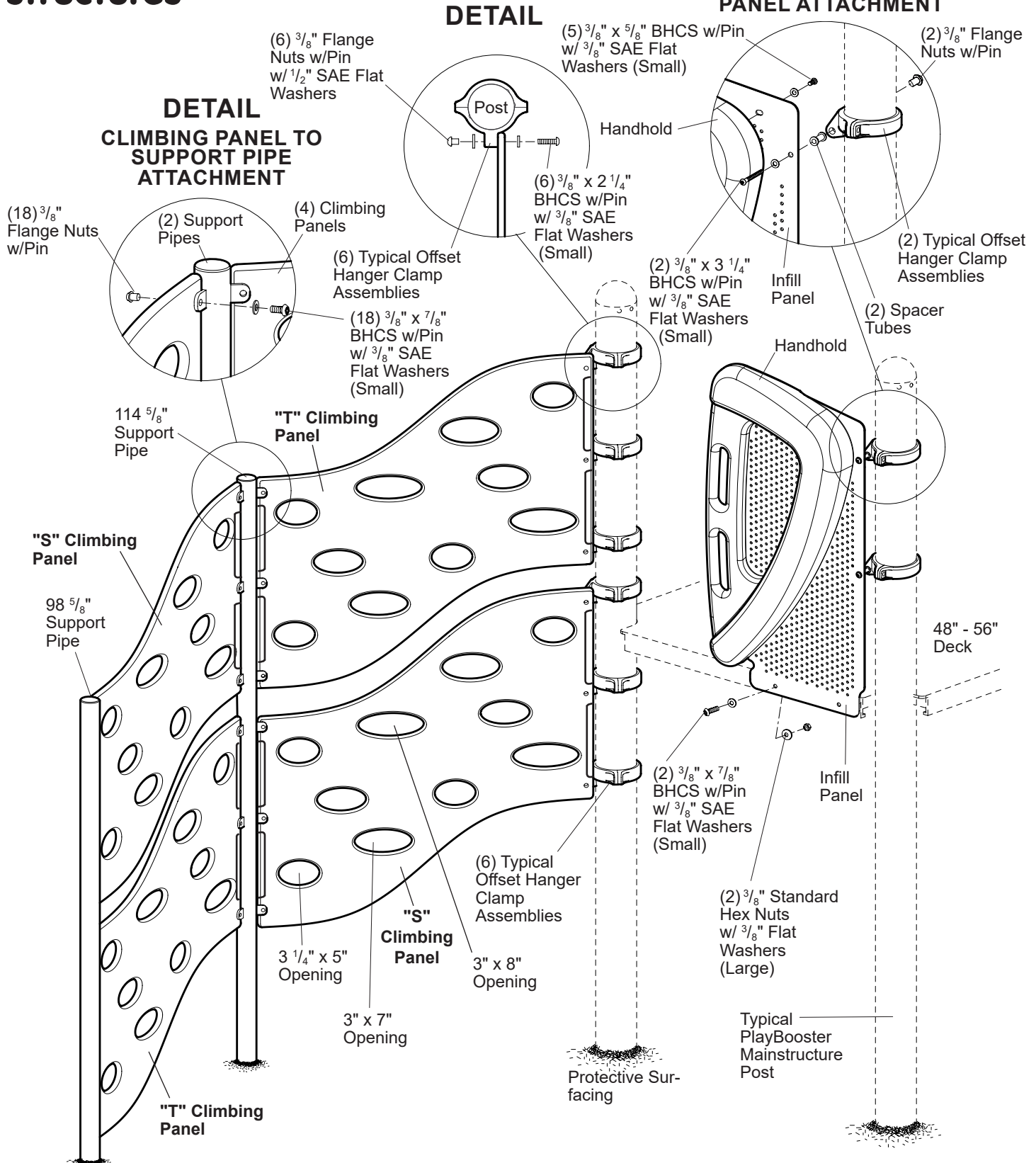
Specifications

Corkscrew:	Weldment comprised of 1.900" O.D. RS40 (.120" - .130") galvanized steel tubing, and 1.315" O.D. RS20 (.080" - .090") galvanized steel tubing. Finish: ProShield®, color specified.
Infill Panel:	Made from 7GA. (.179") (4,55 mm) thick HRPO steel sheet zinc plated. Finish: ProShield, color specified.
Roto Handhold:	Rotationally molded from U.V. stabilized linear low density polyethylene, color specified.
Spacer Tube:	Made from 6061-T6 aluminum. Finish: ProShield, color specified.
Clamps:	Cast aluminum. Finish: ProShield, color specified.
Fasteners:	Primary fasteners shall be socketed and pinned tamperproof in design, stainless steel (SST) per ASTM F 879 unless otherwise indicated (see specific product installation/specifications).
Installation Time:	SM - Approx. 1 1/2 man hours DB - Approx. 2 man hours
Concrete Req.:	Approx. 1.3 cu. ft.
Weight:	93 lbs. (32"-48" Deck) 106 lbs. (56"-72" Deck)
Fall Height:	Deck Height

Installation Instructions

- 1) **(Direct Bury)** Dig footing hole as shown. Refer to the Plan View/Footing Layout.
 - 2) Attach roto handhold panels to handhold infill panels, using 3/8" x 5/8" BHCS w/pin and 3/8" SAE flat washers (small). Refer to the Panel Attachment Detail.
 - 3) Attach offset hanger clamps to handhold infill panels using 3/8" x 1 3/8" BHCS w/pin with 3/8" SAE flat washers (small), and 3/8" flange nuts w/pin. Refer to the Panel Attachment Detail.
 - 4) Attach offset hanger clamps to posts using 5" half clamps, 3/8" x 1 1/8" BHCS w/pin and 3/8" tee nuts. Refer to the Typical Offset Hanger Clamp Spec Sheet.
 - 5) Attach corkscrew to handhold infill panels, using 3/8" x 3 3/4" BHCS w/pin with 3/8" SAE flat washers (small) and 3" spacer tubes. **NOTE:** *Align 3" spacer tubes with loop pole.*
 - 6) **(Direct Bury)** With corkscrew plumb, pour concrete footing. Allow concrete footing to cure a minimum of 72 hours before users are allowed to play on the structure.
- (Surface Mount)** Drill 1/2" x 3" deep holes through support plate using hammer drill and 1/2" masonry bit. Tap expansion anchors into drilled holes. Fasten support plates to expansion anchors using 1/2" standard hex nuts with 1/2" flat washers.
- 7) Install protective surfacing before users are allowed to play on the structure.

DETAIL
PANEL ATTACHMENT



PlayBooster® 179010 Cascade Climber, w/ Vibe® Handhold, 2-Panel Sheet 1 of 2

Parts List

Part#	Description	Qty.
100610	1/4" x 5/8" Drive Rivet, AL/SST	8
105327	5" Half Clamp, Specify Color	8
113468	7/8" O.D. x 1 11/16" Al. Spacer Tube, Specify Color.....	2
113729	5" Offset Hanger Clamp, Specify Color.....	8
150602	"S" Climbing Panel, Specify Color	2
186016	"T" Climbing Panel, Specify Color.....	2
150603	98 5/8" Support Pipe, Specify Color.....	1
150606	114 5/8" Support Pipe, Specify Color.....	1
177250	Roto 3/4 Handhold Left, Specify Color	1
177251	Roto 3/4 Handhold Right, Specify Color	1
178734	Infill 3/4 Panel, Specify Color	1
179807	Cascade Climber Hardware Package 48/56	1
100168	3/8" x 3 1/4" BHCS w/Pin, SST	2
100195	3/8" x 5/8" BHCS w/Pin, SST	5
100196	3/8" x 7/8" BHCS w/Pin, SST	20
100198	3/8" x 1 1/8" BHCS w/Pin, SST.....	16
100199	3/8" x 2 1/4" BHCS w/Pin, SST.....	6
100327	3/8" Standard Hex Nut, SST	2
100351	3/8" Mod T-Nut, SST	16
100353	3/8" Flange Nut w/Pin, SST	26
100362	3/8" Flat Washer, SST	2
100365	3/8" SAE Flat Washer, SST.....	33
113550	1/2" SAE Flat Washer, SST.....	6

Specifications

Infill Panel: Made from 7GA. (.179") (4,55 mm) thick HRPO steel sheet zinc plated. Finish: ProShield®, color specified.

Handhold: Rotationally molded from U.V. stabilized linear low density polyethylene, color specified.

Panels: Solid color Permalene®, color specified.

Support Pipe: Weldment comprised of 2.375" (60,33 mm) O.D. RS40 (.130"-.140") (3,30 mm-3,56 mm) wall galvanized steel tube, 1/4" x 1 1/4" (6,35 mm x 31,75 mm) HR flat steel and 12 GA. (.105") (2,67 mm) sheet HRPO steel. Finish: ProShield, color specified.

Clamps: Cast aluminum. Finish: ProShield, color specified.

Fasteners: Primary fasteners shall be socketed and pinned tamperproof in design, stainless steel (SST) per ASTM F 879 unless otherwise indicated (see specific product installation/specifications).

Installation Time: 3 man hours

Weight: 232 lbs.

Concrete: Approx. 2.6 cu. ft.

Fall Height: Deck Height

Installation Instructions

Refer to your 2D and 3D plan for your configuration.

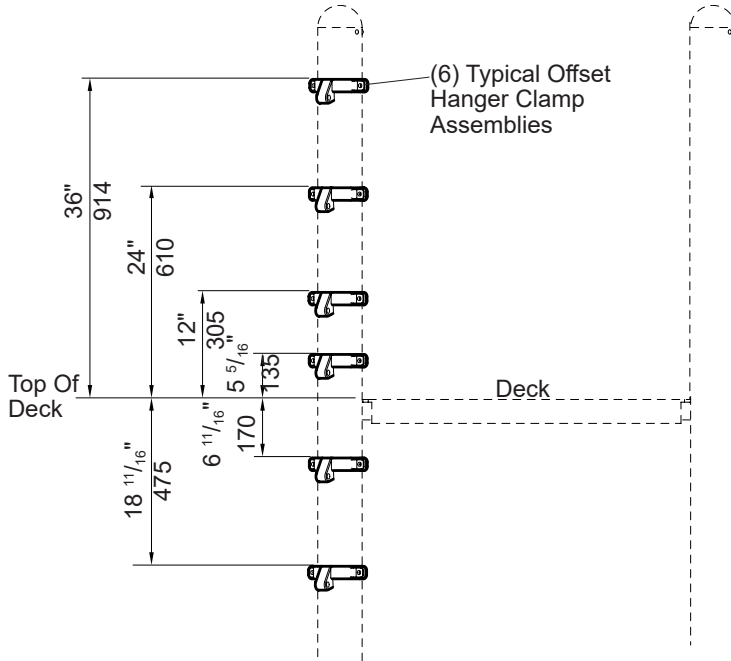
- 1) Dig footings to depths and spacing, as shown.
- 2) Attach offset hanger clamp assemblies to posts at height shown, using 5" half clamps, 3/8" x 1 1/8" BHCS w/pin and 3/8" tee nuts. Refer to the Typical Offset Hanger Clamp Spec Sheet.
- 3) Place support pipes in footing holes.
- 4) Attach climbing panels to offset hanger clamps, using 3/8" x 2 1/4" BHCS w/pin with 3/8" SAE flat washers (small) and 3/8" flange nuts w/ pin with 1/2" SAE flat washers. Refer to the Climbing Panel to Clamp Attachment Detail.
- 5) Attach climbing panels to support pipes, using 3/8" x 7/8" BHCS w/pin with 3/8" SAE flat washers (small) and 3/8" flange nuts w/pin. Refer to the Climbing Panel to Support Pipe Attachment Detail.
- 6) Attach handhold to infill panel, using 3/8" x 5/8" BHCS w/pin and 3/8" SAE flat washers (small). Refer to the Panel Attachment Detail.
- 7) Attach infill panel to deck, using 3/8" x 7/8" BHCS w/pin with 3/8" SAE flat washers (small) and 3/8" standard hex nuts with 3/8" flat washers (large).
- 8) Attach infill panel to offset hanger clamp assemblies, using 3/8" x 3 1/4" BHCS w/pin, 3/8" SAE flat washers (small), spacer tubes and 3/8" flange nuts w/pin. Refer to the Panel Attachment Detail.
- 9) Install 1/4" x 5/8" drive rivets in all 5" half clamps. Drill through hole in 5" half clamps and into 5" post with a 1/4" or "F" (only) drill bit, insert drive rivet in hole through clamp and into post. Hammer drive rivet pin in until flush with head. Refer to the Typical Offset Hanger Clamp Spec Sheet.
- 10) With support pipes plumb, pour concrete footings. Allow concrete footings to cure a minimum of 72 hours before users are allowed to play on the structure.
- 11) Install protective surfacing before users are allowed to play on the structure.

**DETAIL
CLAMP ATTACHMENT**

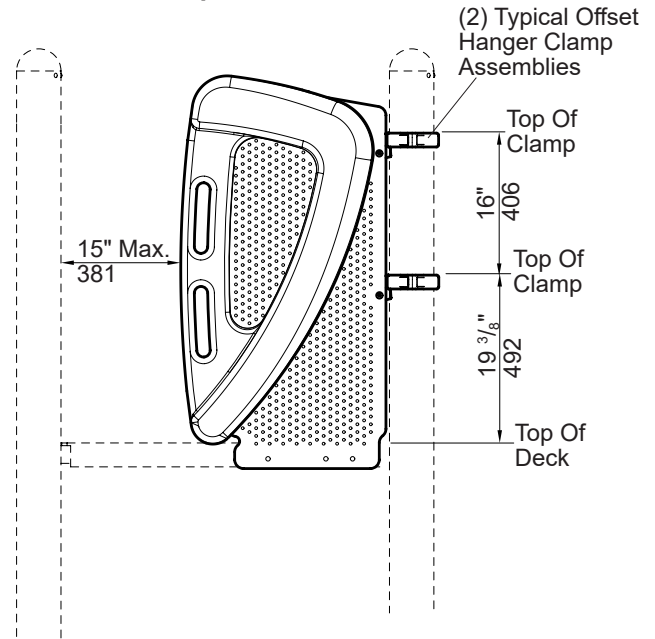
SAFETY NOTE
Choose a protective surfacing material that has a Critical Height Value of at least the height of the Highest Accessible Part/Fall Height of the adjacent equipment. (Ref. ASTM F1487)

179097a

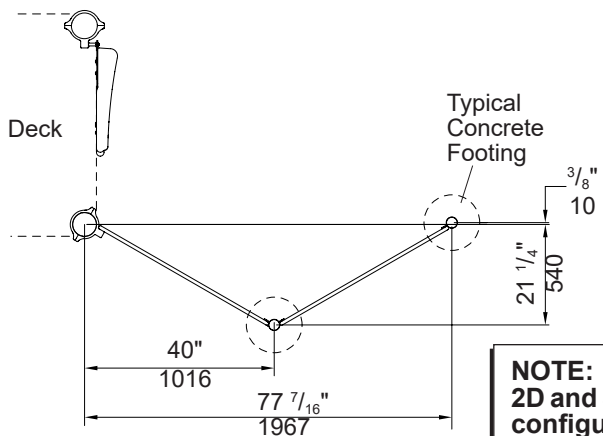
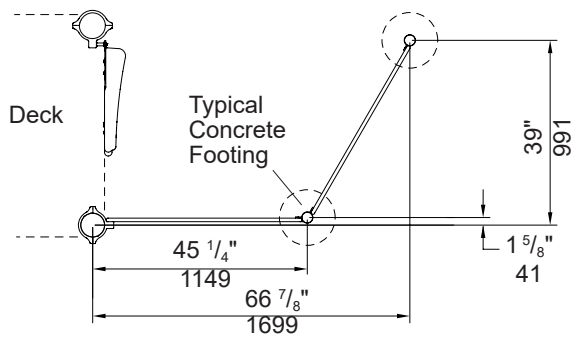
Clamps For Climbing Panels



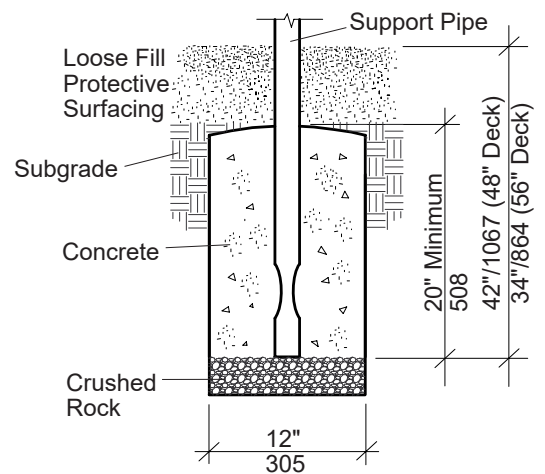
Clamps For Panel



PLAN VIEW/FOOTING LAYOUTS



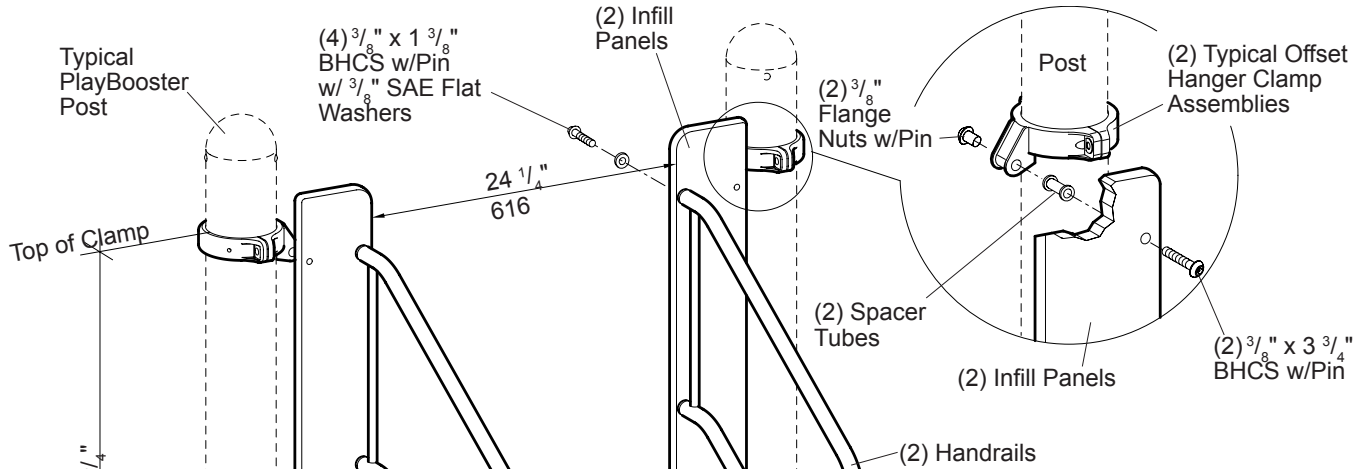
**DETAIL
DIRECT BURY**



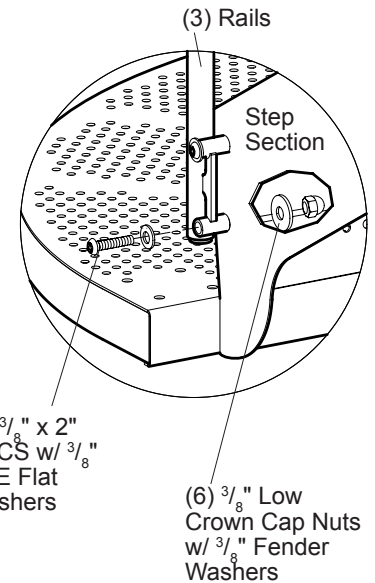
NOTE: Refer to your 2D and 3D plan for your configuration.

NOTE: The illustration shown is a left hand orientation. Refer to the site plan drawing for the specified orientation

**DETAIL
PANEL ATTACHMENT**



**DETAIL
HANDRAIL ATTACHMENT**



NOTE: Protective surfacing adjacent to the transfer deck must be accessible.

8" Typ.
200

Protective Surfacing

PlayBooster® 152911 Transfer Module, 40", w/Handrails



PlayBooster® 152911 Transfer Module, 40", w/Handrails

Parts List

Part#	Description	Qty.
100610	1/2" x 5/8" Drive Rivet, AL/SST	2
105327	5" Half Clamp, Specify Color	2
113468	7/8" O.D. x 1 11/16" Spacer Tube, Specify Color	2
113729	Offset Hanger Clamp, Specify Color	2
181371	Deck Support (DB), Specify Color	1
181373	Deck Support (SM), Specify Color	1
181374	Step Support (DB), Specify Color	1
181376	Step Support (SM), Specify Color	1
144696	1-Step Section, Specify Color	1
144698	2-Step Section, Specify Color	1
152639	2-Step Handrail, Specify Color	2
152641	Lower Rail, Specify Color	1
153398	Transfer Deck, Specify Color	1
153399	Infill Panel, Specify Color	2
204034	Transfer Module Hardware Package	1
100173	3/8" x 2" BHCS, SST	6
100196	3/8" x 7/8" BHCS w/Pin, SST	4
100198	3/8" x 1 3/8" BHCS w/Pin, SST	20
100327	3/8" Standard Hex Nut, SST	16
100351	3/8" Tee Nut, SST	4
100353	3/8" Flange Nut w/Pin, SST	4
100365	3/8" SAE Flat Washer, SST	54
113027	3/8" x 1 3/8" BHCS w/Pin, SST	8
124460	3/8" x 3 3/8" BHCS w/Pin, SST	2
100378	3/8" Fender Washer, SST	6
100349	3/8" Low Crown Cap Nut, SST	12
111393	4-Hole (SM) Hardware Package	1
100263	3/8" x 2 3/8" Expansion Anchors	4
100327	3/8" Standard Hex Nut, SST	4
100365	3/8" SAE Flat Washers, SST	4
121256	2-Hole (SM) Hardware Package	1
100263	3/8" x 2 3/8" Expansion Anchors	2
100327	3/8" Standard Hex Nut, SST	2
100365	3/8" SAE Flat Washers, SST	2

DB = Direct Bury
SM = Surface Mount

Specifications

Deck:	Flange formed from 12 GA (.105") sheet steel conforming to ASTM A1011. Standing surface is perforated with 5/16" diameter holes and measures 29" per (2) sides. Finish: TenderTuff™, color specified.
Railings:	Weldment comprised of formed 1 1/8" O.D. x 11 GA (.120") steel tubing with 203 or 303 stainless steel inserts with 3/8" internal threads. Finish: TenderTuff, color specified.
Step Sections:	Formed from 12 GA (.105") sheet steel conforming to ASTM A1011. Standing surface is 24 3/8" wide x 14" deep and is perforated with 5/16" diameter holes. Finish: TenderTuff, color specified.
Spacer Tube:	Made from 6061-T6 aluminum 7/8" O.D. x 1 11/16". Finish: ProShield®, color specified.
Panel:	Solid color Permalene® panel, color specified.
Deck Support:	Weldment comprised of 3 1/2" O.D. RS20 (.125") galvanized steel tubing and 3/8" O.D. x 5" long rod. Finish: ProShield, color specified.
Step Support:	Weldment comprised of 1.660 O.D. RS20 (.080"-.095) and 1 3/4" x 1 3/4" x 1/8" HR angle. Finish: ProShield, color specified.
Clamps:	Cast aluminum. Finish: ProShield, color specified.
Fasteners:	Primary fasteners shall be socketed and pinned tamperproof in design, stainless steel (SST) per ASTM F 879 unless otherwise indicated (see specific product installation/specifications).

Installation Time:	SM - Approx. 3 man hours DB - Approx. 4 man hours
Concrete Req.:	Approx. 3.4 cu. ft.
Weight:	SM - 225 lbs. DB - 240 lbs.
Fall Height:	Deck Height

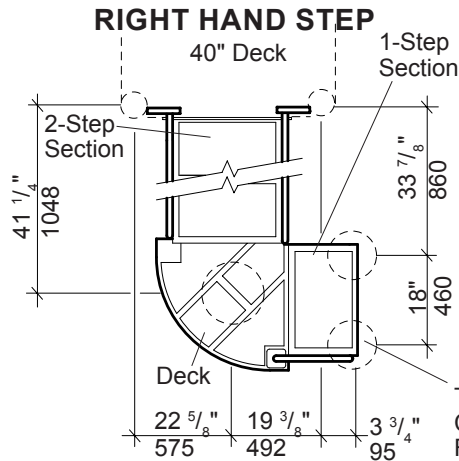
Installation Instructions

- (Direct Bury)** Dig footings as shown. Refer to your Plan View/Footing Layout.
- Attach the deck support to the transfer deck using 3/8" x 7/8" BHCS w/pin and 3/8" low crown cap nuts with 3/8" SAE flat washers. **NOTE: Make sure 3/8" rod on support is under support strap on deck as shown.** Refer to the Deck Support Attachment Detail.
- Attach the 2-step section to the transfer deck using 3/8" x 1 1/8" BHCS w/pin with 3/8" SAE flat washers and 3/8" standard hex nuts with 3/8" SAE flat washers.
- Attach the 2-step section to the face of the mainstructure deck using 3/8" x 1 1/8" BHCS w/pin with 3/8" SAE flat washers and 3/8" standard hex nuts with 3/8" SAE flat washers.
- Attach the step support to the 1 step section using 3/8" x 1 1/8" BHCS w/pin with 3/8" SAE flat washers and 3/8" standard hex nuts with 3/8" SAE flat washers. Refer to the Step Support Attachment Detail.
- Attach the 1-step section to the transfer deck using 3/8" x 1 1/8" BHCS w/pin with 3/8" SAE flat washers and 3/8" standard hex nuts with 3/8" SAE flat washers.
- Attach offset hanger clamps to posts at heights shown using 5" half clamps, 3/8" x 1 1/8" BHCS w/pin and 3/8" tee nuts. Refer to the Typical Offset Hanger Clamp Spec Sheet.
- Attach infill panels to the face of the mainstructure deck using 3/8" x 7/8" BHCS w/pin with 3/8" SAE flat washers and 3/8" flange nuts w/pin.
- Attach infill panels to offset hanger clamp assemblies using 3/8" x 3 3/4" BHCS, spacer tubes and 3/8" flange nuts w/pin. See Panel Attachment Detail.
- Attach the handrails to the 2-step section using 3/8" x 2" BHCS with 3/8" SAE flat washers and 3/8" low crown cap nuts with 3/8" fender washers. Refer to the Handrail Attachment Detail.
- Attach the handrails to the infill panels using 3/8" x 1 3/8" BHCS w/pin and 3/8" SAE flat washers.
- Attach the lower rail to the transfer deck using 3/8" x 1 3/8" BHCS w/pin with 3/8" SAE flat washers and 3/8" low crown cap nuts with 3/8" SAE flat washers.
- Attach the lower rail to the 1-step section using 3/8" x 2" BHCS with 3/8" SAE flat washers and 3/8" low crown cap nuts with 3/8" fender washers. Refer to the Handrail Attachment Detail.
- (Direct Bury)** With transfer deck and steps level and supports plumb, pour concrete footings. Allow concrete footings to cure a minimum of 72 hours before users are allowed to play on the structure.
- (Surface Mount)** Mark holes for expansion anchors on concrete slab through support plates. Detach the module from the mainstructure and slide module aside, drill 3/8" x 3" deep holes on marks using hammer drill and 3/8" masonry bit. Reposition module over drilled holes and tap expansion anchors into drilled holes. Fasten support plates to expansion anchors using 3/8" standard hex nuts with 3/8" SAE flat washers. Reattach module to structure.
- Install 1/4" x 5/8" drive rivets in all 5" half clamps. Refer to the Typical Offset Hanger Clamp Spec Sheet.
- Install protective surfacing before users are allowed to play on the structure.

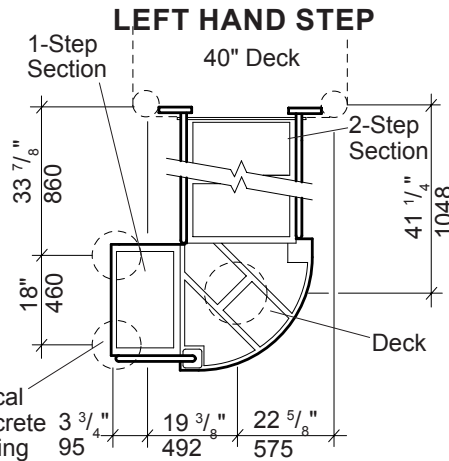
NOTE: Refer to the site plan drawing for proper orientation.

SAFETY NOTE
Choose a protective surfacing material that has a Critical Height Value of at least the height of the Highest Accessible Part/Fall Height of the adjacent equipment. (Ref. ASTM F1487.)

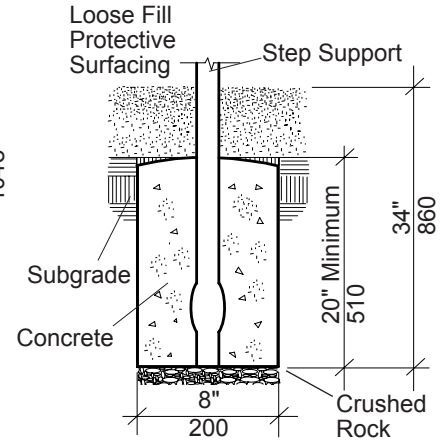
PLAN VIEW FOOTING LAYOUT



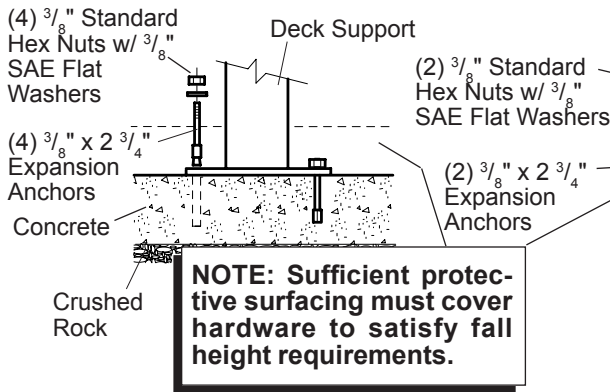
PLAN VIEW FOOTING LAYOUT



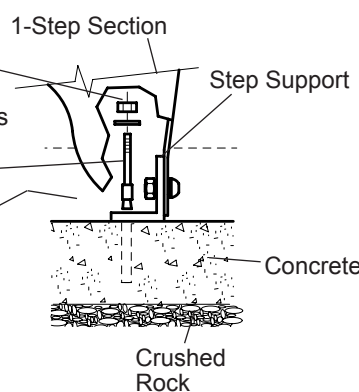
DETAIL STEP SUPPORT BURY



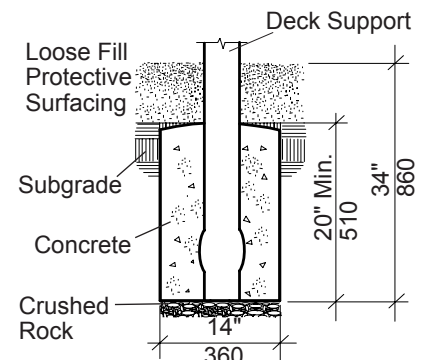
DETAIL SURFACE MOUNT DECK SUPPORT



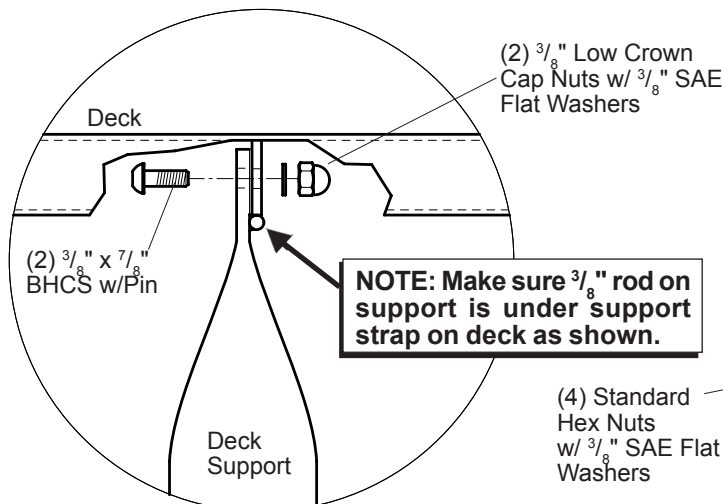
DETAIL SURFACE MOUNT STEP SUPPORT



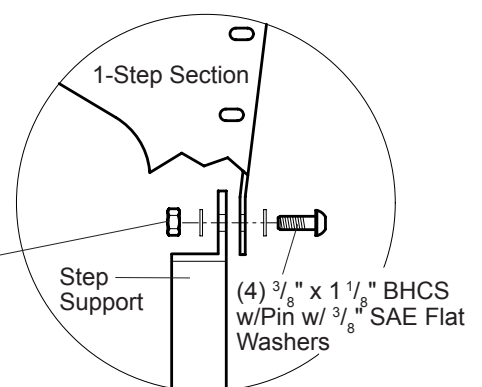
DETAIL DECK SUPPORT BURY

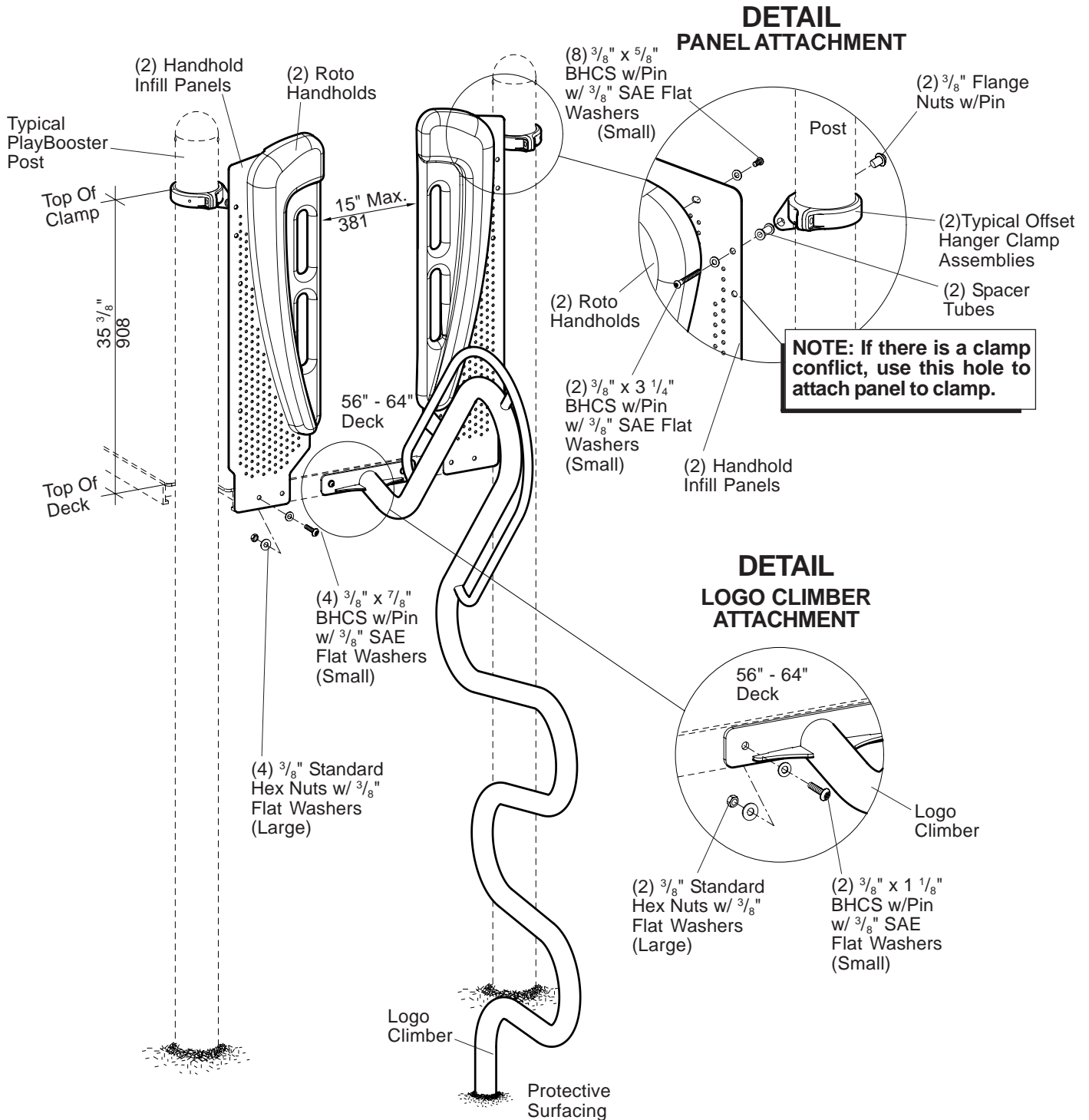


DETAIL DECK SUPPORT ATTACHMENT



DETAIL STEP SUPPORT ATTACHMENT







PlayBooster® 179018 Logo Climber, w/ Vibe® Handholds, 56"-64"

J:\SPECS\179\17908900.P65

Parts List

Part#	Description	Qty.
100610-00	1/4" x 5/8" Drive Rivet, AL/SST	2
105327-01	5" Half Clamp, Specify Color	2
113468-00	7/8" O.D. x 1 11/16" Spacer Tube, Specify Color	2
113729-00	5" Offset Hanger Clamp, Specify Color	2
176034-00	56"-64" Logo Climber, DB, Specify Color	1
176292-00	56" Logo Climber, SM, Specify Color	1
176293-00	64" Logo Climber, SM, Specify Color	1
177534-00	Roto Double Handhold, Left, Specify Color	1
177535-00	Roto Double Handhold, Right, Specify Color	1
178740-00	Double Handhold Infill Panel, Specify Color	2
180229-00	Logo Climber Hardware Package	1
100168-00	3/8" x 3 1/4" BHCS w/Pin, SST	2
100195-00	3/8" x 3/8" BHCS w/Pin, SST	8
100196-00	3/8" x 7/8" BHCS w/Pin, SST	4
100198-00	3/8" x 1 1/8" BHCS w/Pin, SST	6
100327-00	3/8" Standard Hex Nut, SST	6
100351-00	3/8" Mod T-Nut, SST	4
100353-00	3/8" Flange Nut w/Pin, SST	2
100362-00	3/8" Flat Washer, SST	6
100365-00	3/8" SAE Flat Washer, SST	16
182512-00	Rivets/O-Rings Hardware Package	1
182457-00	O-Ring	6
160020-00	Snap Rivet, Male	6
160021-00	Snap Rivet, Female	6
111392-00	2-Hole (SM) Hardware Package	1
100266-00	1/2" x 2 3/4" Expansion Anchors	2
100322-00	1/2" Standard Hex Nut, SST	2
100363-00	1/2" Flat Washer, SST	2

DB = Direct Bury
SM = Surface Mount

Specifications

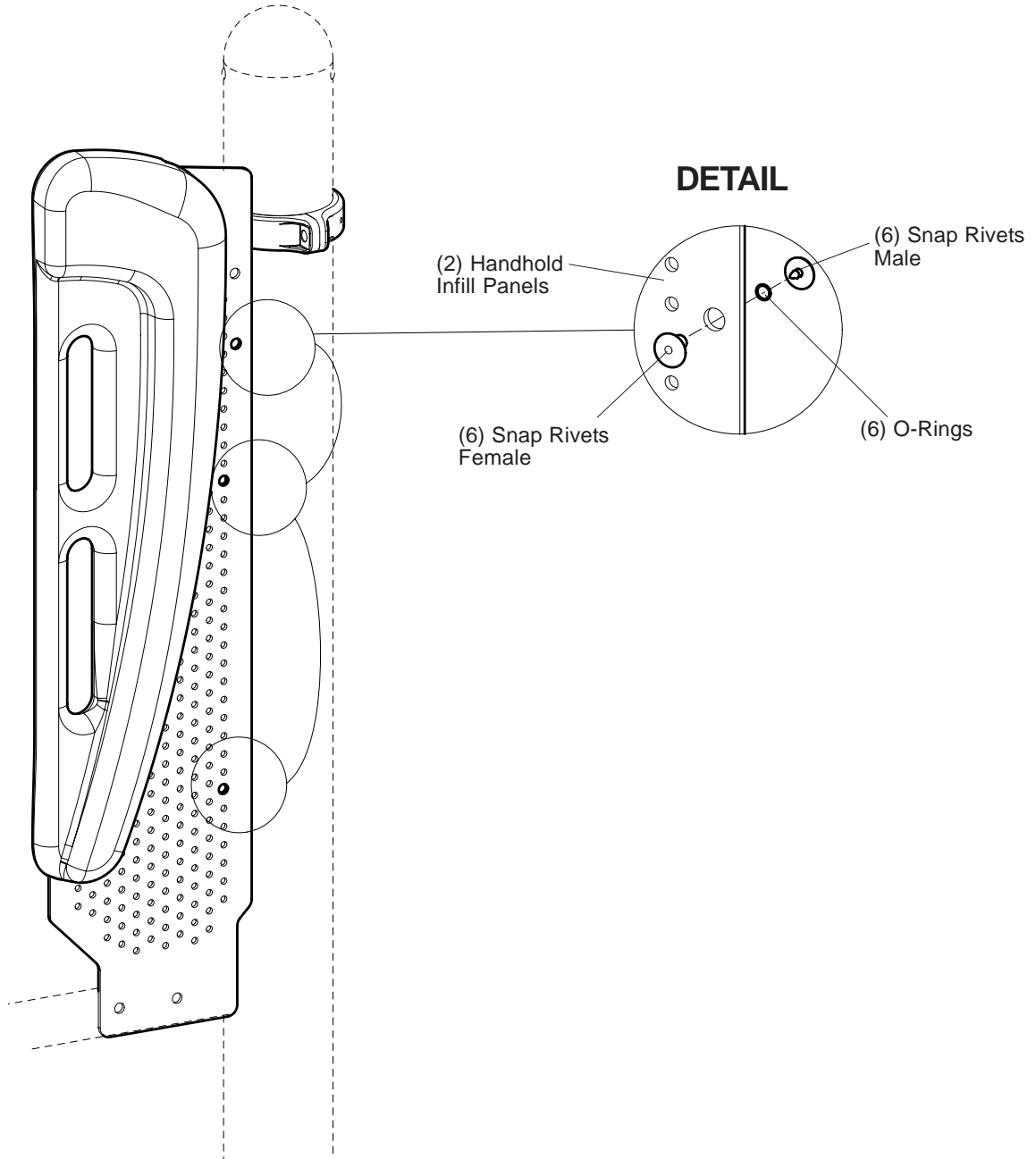
Logo Climber:	Weldment comprised of 2.375" (60,33 mm) O.D. RS40 (.130"-.140") (3,30 mm-3,56 mm) wall galvanized steel tube, 1.029" (26,14 mm) O.D. RS20 (.070"-.080") (1,78 mm-2,03 mm) wall galvanized steel tube, and 1/4" (6,35 mm) HRPO steel sheet. Finish: ProShield®, color specified.
Infill Panel:	Made from 7GA. (.179") (4,55 mm) thick HRPO steel sheet zinc plated. Finish: ProShield, color specified.
Roto Handhold:	Rotationally molded from U.V. stabilized linear low density polyethylene, color specified.
Spacer Tube:	Made from 6061-T6 aluminum 7/8" (22,23 mm) O.D. x 1 11/16" (42,85 mm). Finish: ProShield, color specified.
Clamps:	Cast aluminum. Finish: ProShield, color specified.
Fasteners:	Primary fasteners shall be socketed and pinned tamperproof in design, stainless steel (SST) per ASTM F 879 unless otherwise indicated (see specific product installation/specifications).

Installation Time:	SM - Approx. 1 1/2 man hours DB - Approx. 2 man hours
Concrete:	DB - Approx. 1.31 cu. ft.
Weight:	DB 122 lbs. (56"-64") SM 111 lbs. (56") SM 115 lbs. (64")
Fall Height:	Deck Height

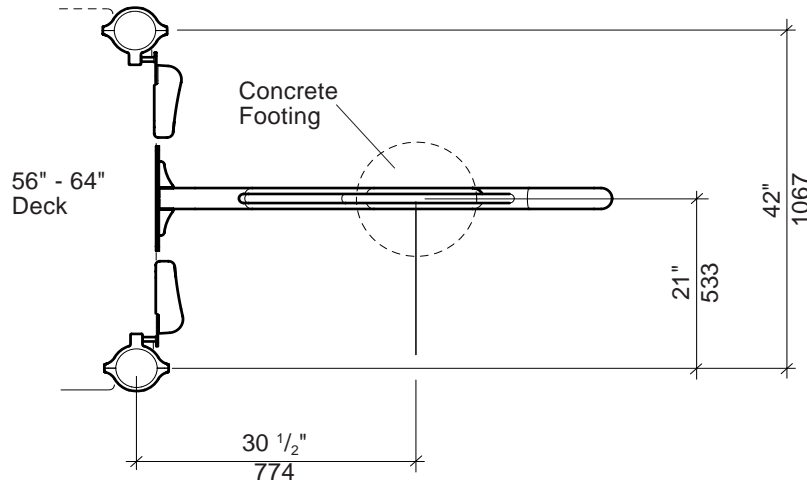
Installation Instructions

- (Direct Bury)** Dig footing hole spaced as shown.
- Attach roto handholds to handhold infill panels, using 3/8" x 5/8" BHCS w/pin and 3/8" SAE flat washers (small). Refer to the Panel Attachment Detail.
- Attach handhold infill panels to deck, using 3/8" x 7/8" BHCS w/pin with 3/8" SAE flat washers (small) and 3/8" standard hex nuts with 3/8" flat washers (large).
- Attach offset hanger clamps to handhold infill panels, using 3/8" x 3 1/4" BHCS w/pin, 3/8" SAE flat washers (small), spacer tubes and 3/8" flange nuts w/pin. Refer to the Panel Attachment Detail.
- Attach offset hanger clamps to posts, using 5" half clamps, 3/8" x 1 1/8" BHCS w/pin and 3/8" tee nuts. Refer to the Typical Offset Hanger Clamp Spec Sheet.
- Attach Logo climber to deck, using 3/8" x 1 1/8" BHCS w/pin with 3/8" SAE flat washers (small) and 3/8" standard hex nuts with 3/8" flat washers (large).
- Install snap rivets and o-rings through unused 1/2" diameter holes in handhold infill panels. Refer to the Snap Rivet Attachment Detail.
- Install 1/4" x 5/8" drive rivets in all 5" half clamps. Drill through hole in 5" half clamp and into 5" post with a 1/4" or "F" (only) drill bit, insert drive rivet into hole through clamp and into post. Hammer drive rivet pin in until flush with head. Refer to the Typical Offset Hanger Clamp Spec Sheet.
- (Direct Bury)** With Logo climber plumb, pour concrete footing. Allow concrete footing to cure for a minimum of 72 hours before users are allowed to play on the structure.
(Surface Mount) With Logo climber plumb, drill 1/2" x 3" deep holes through mounting plates using hammer drill and 1/2" masonry bit. Tap expansion anchors into drilled holes. Fasten mounting plates to expansion anchors, using 1/2" standard hex nuts with 1/2" flat washers.
- Install protective surfacing before users are allowed to play on the component.

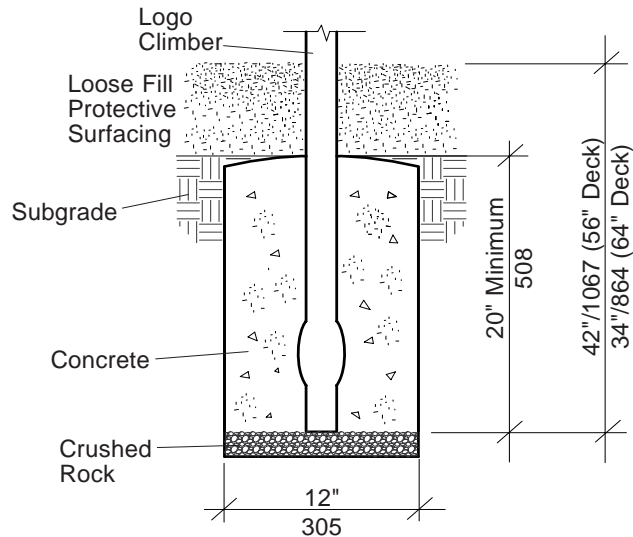
DETAIL
SNAP RIVET ATTACHMENT
(FOR FILLING UNUSED 1/2" DIAMETER HOLES)



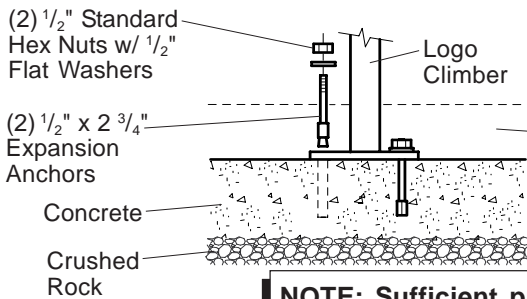
PLAN VIEW/FOOTING LAYOUT



DETAIL DIRECT BURY

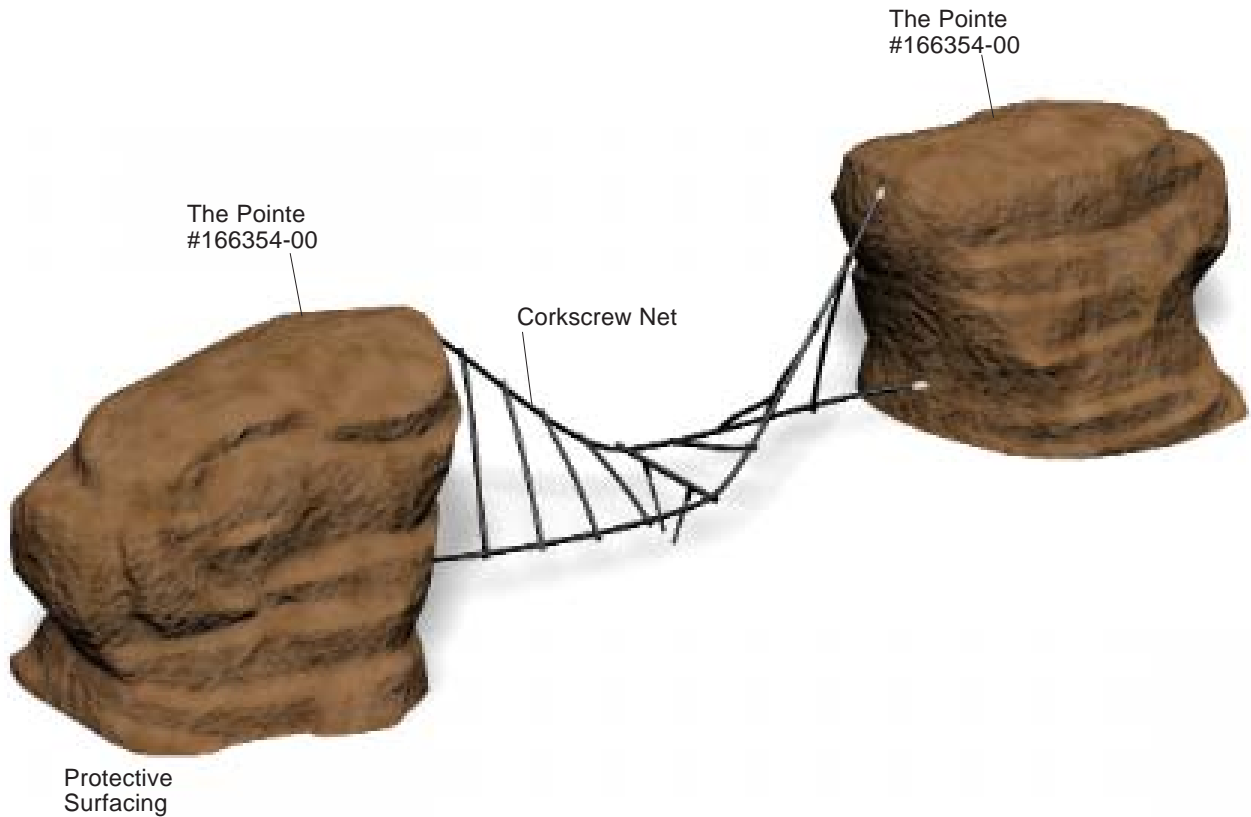


DETAIL SURFACE MOUNT



NOTE: Sufficient protective surfacing must cover hardware to satisfy fall height requirements.

PlayBooster® 179018 Logo Climber, w/ Vibe® Handholds, 56"-64"



Play Naturally™

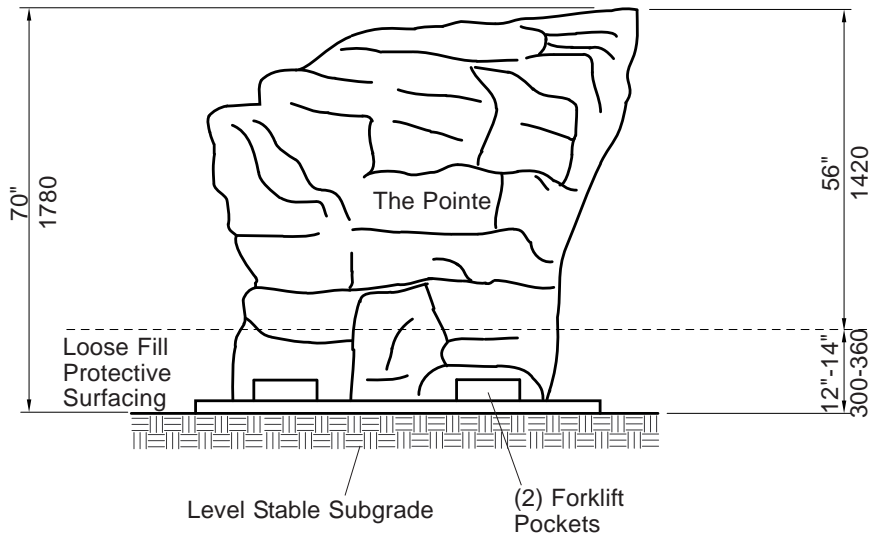
Nature-Inspired
Climbers

168365 AdventureScapes®, Design #2

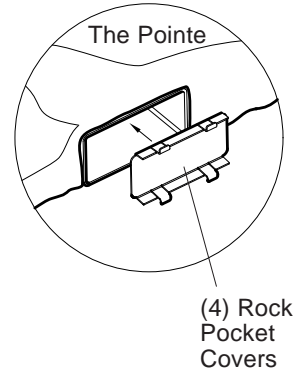
Sheet 1 of 4

SAFETY NOTE
 Choose a protective surfacing material that has a Critical Height Value of at least the height of the Highest Accessible Part/Fall Height of the adjacent equipment. (Ref. ASTM F1487.)

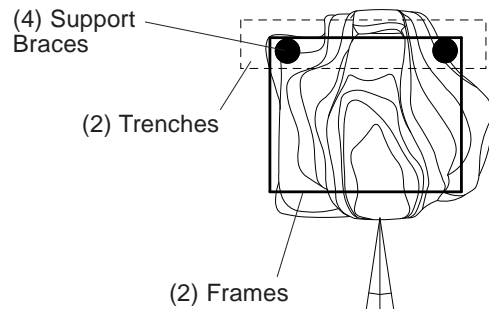
PLAN VIEW/POINTE



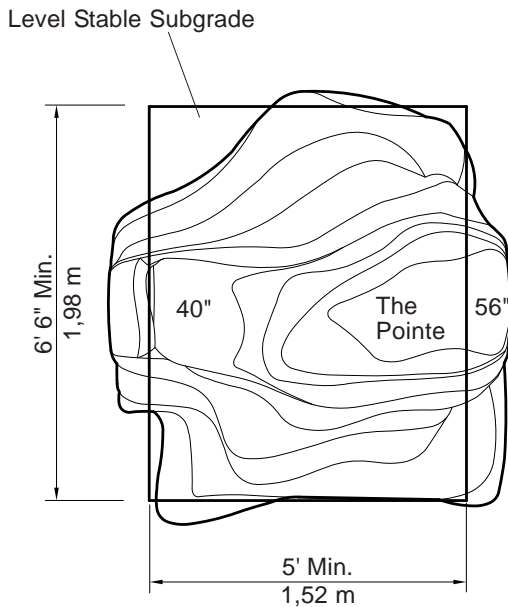
**DETAIL
 POINTE POCKET**

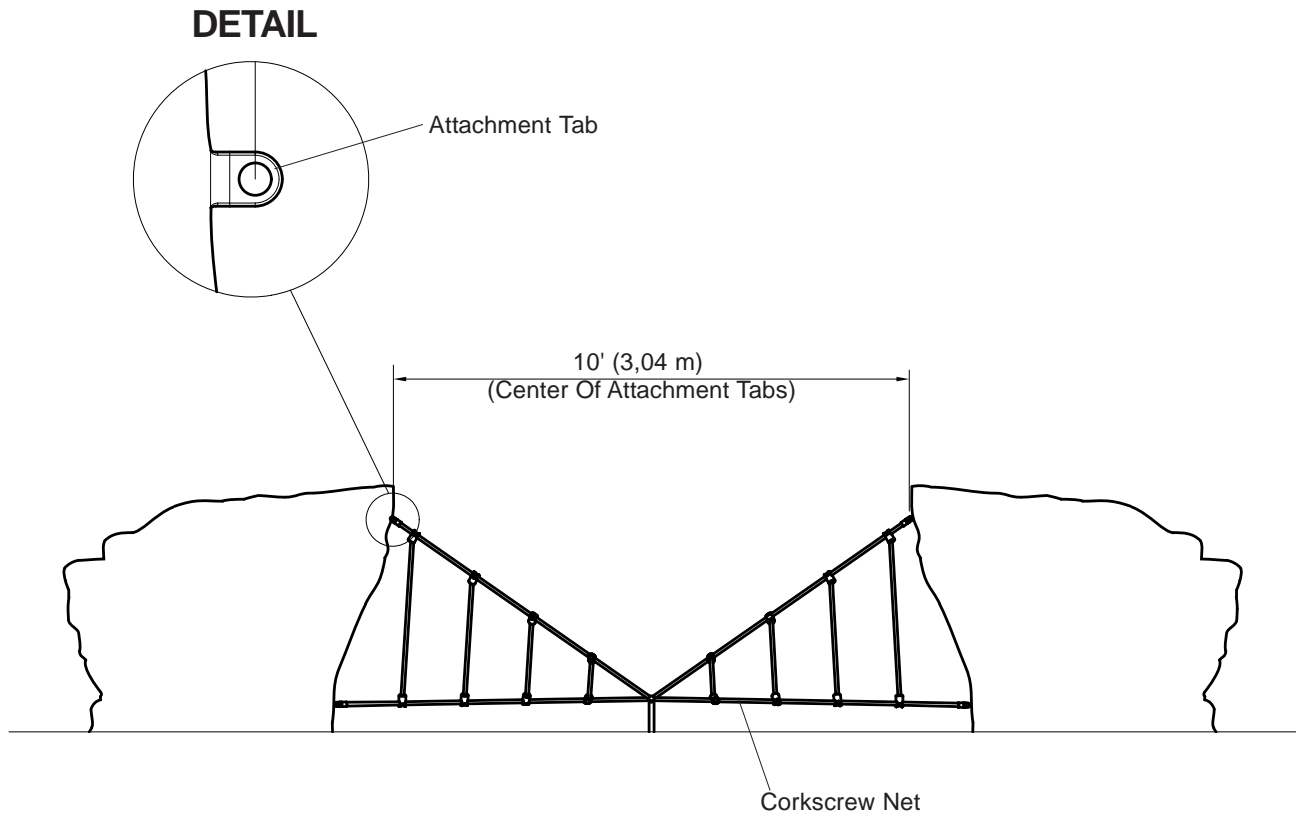


**DETAIL
 SUPPORT BRACE
 LOCATION**



NOTE: Position support braces under frames approx., as shown.

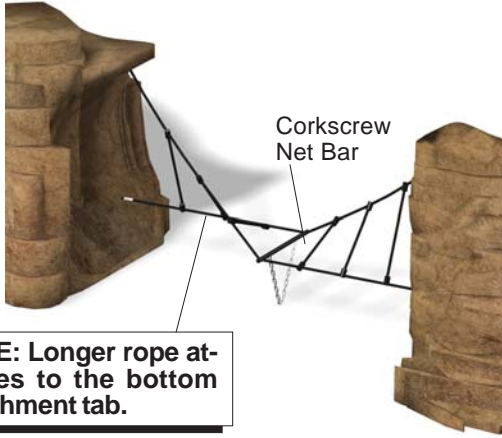




CORKSCREW NET DETAILS

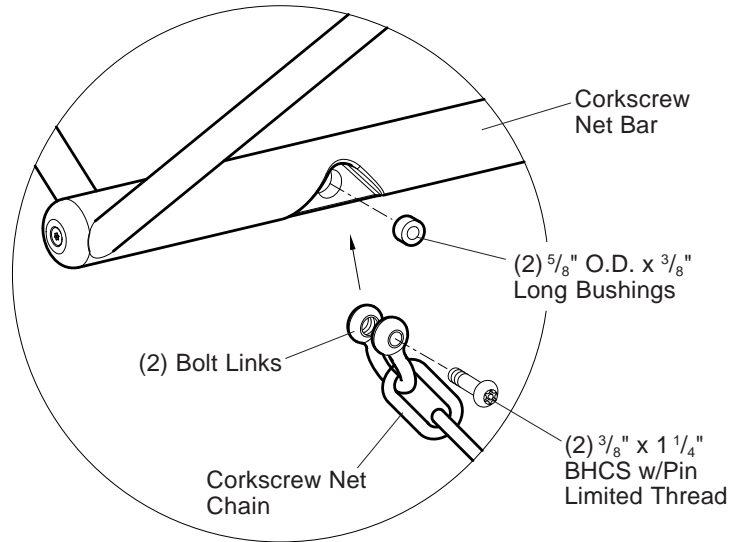
SAFETY NOTE
 Choose a protective surfacing material that has a Critical Height Value of at least the height of the Highest Accessible Part/Fall Height of the adjacent equipment. (Ref. ASTM F1487.)

167489f

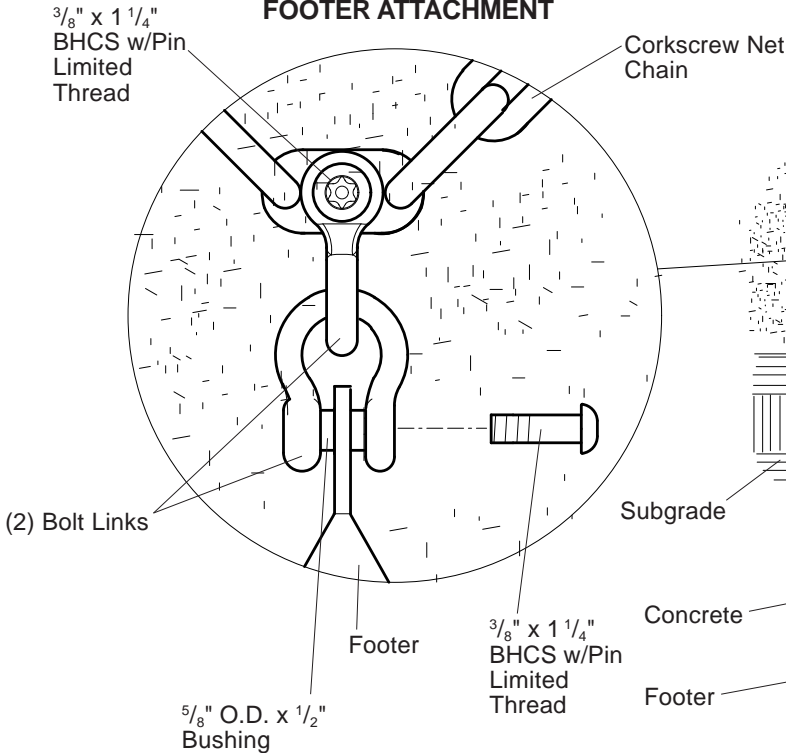


NOTE: Longer rope attaches to the bottom attachment tab.

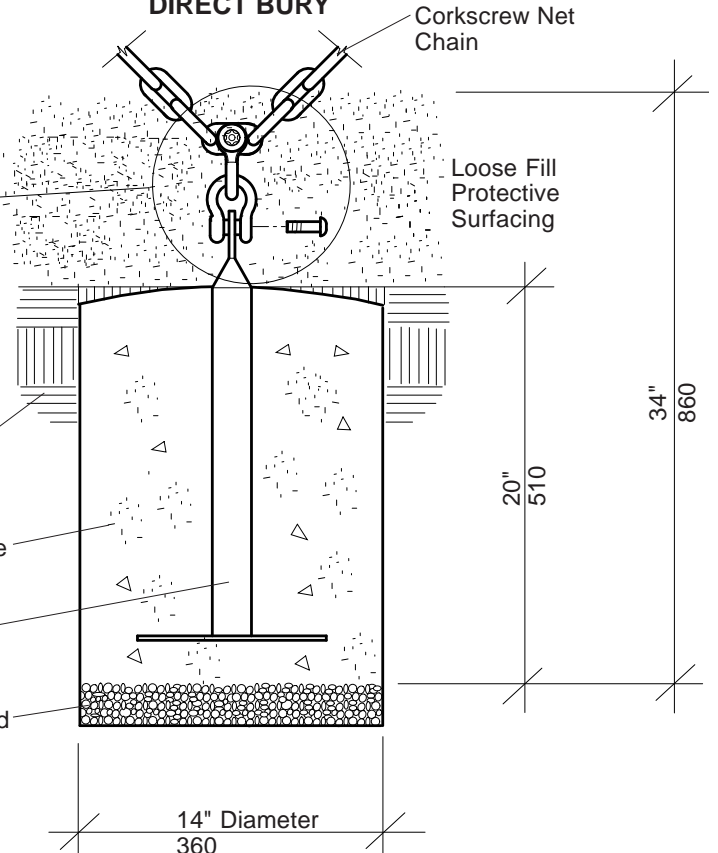
**DETAIL
CORKSCREW NET CHAIN
ATTACHMENT**



**DETAIL
FOOTER ATTACHMENT**



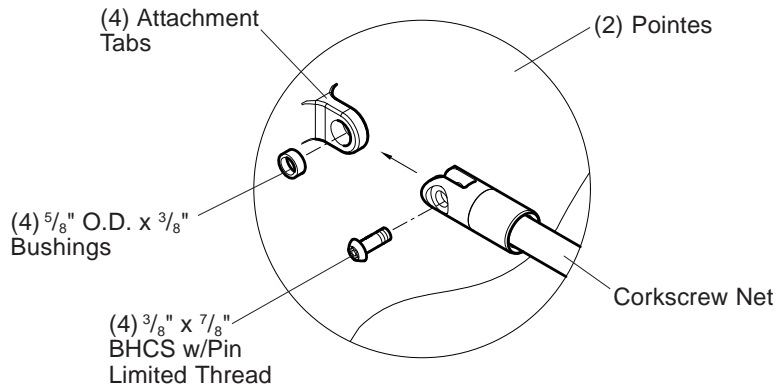
**DETAIL
DIRECT BURY**



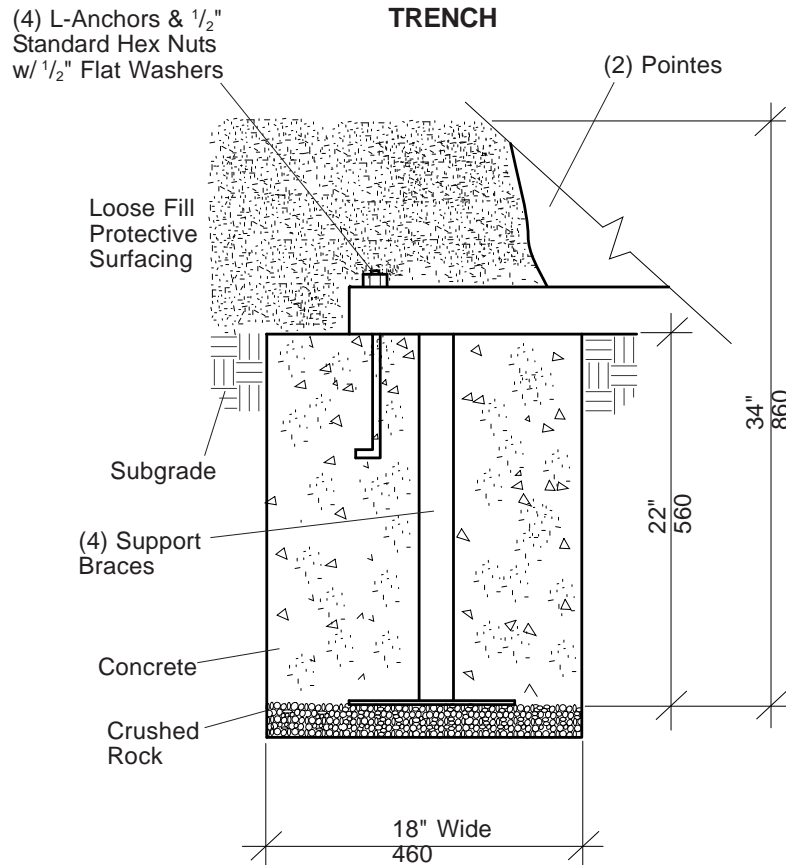
Nature-Inspired Climbers

168365 AdventureScapes® , Design #2

**DETAIL
NET ATTACHMENT**



**DETAIL
DIRECT BURY
TRENCH**



TRENCH DETAILS



NOTE: Use a level to ensure the Pointe frames are level.



(2) Pointes
 (2) Trenches
 (2) Frames
 (4) Support Braces
 (2) Trenches



J/SPECS/177/17719800.P65

Parts List

Part#	Description	Qty.
156383-00	Single Post Footer, Black	1
166354-00	Pointe V HI	2
176283-00	Corkscrew Net, Black	1
166782-00	Support Brace, Black	4
167071-00	Chain	1
168380-00	L-Anchor	4
100322-00	1/2" Standard Hex Nut, SST	4
100363-00	1/2" Flat Washer, SST	4
146301-00	Rock Pocket Cover	8
167443-00	Corkscrew Net Hardware Package	1
100290-00	3/8" x 7/8" BHCS w/Pin Limited Thread, SST	4
100292-00	3/8" x 1 1/4" BHCS w/Pin Limited Thread, SST	4
127179-00	5/8" O.D. x 3/8" Long Bushing, SST	6
138915-00	Bolt Link, SST	4
156962-00	5/8" O.D. x 1/2" Long Bushing, SST	1

Specifications

The Pointe Assy.: Weldment comprised of 1/4" HRPO steel sheet, C8 x 13.75 steel channel, 3" x 1 1/2" x .120" wall galvanized steel tube and 1 1/8" square bar. Finish: ProShield®. **(Pointe-fully assembled)** Castings are made from Glass Fiber Reinforced Concrete (GFRC). Glass fiber is Alkali Resistant (AR) type glass formulated for concrete. Nominal wall thickness of 1" and weighs approximately 11 1/2 lbs. per square foot. Castings have a strength of 1,500 lbs. per square inch in tension and 5,000 lbs. per square inch in compression. Finish: Latex paint made for concrete, Stone in color.

Support Brace: Weldment comprised of 1.660" O.D. RS20 (.085" - .095" wall) galvanized steel tube and 3/16" HRPO steel sheet. Finish: ProShield, black in color.

Corkscrew Net Assy.: **(Net)** Made of tightly woven polyester-wrapped, six-stranded galvanized-steel cable with a polypropylene core. **(T-Connectors)** fabricated from 6061-T6 aluminum, **(Cord Connectors)** fabricated from 1.25" O.D. 6061-T6 aluminum and 1.500" O.D. 6061-T6 aluminum bar.

Turnbuckle: Fabricated from forged galvanized steel.

Chain: Steel 1/4" straight link chain, 3,150 lb. working load limit. Finish: ProGuard.

Rock Pocket Cover: Fabricated from 13 Ga. (.090") HRPO flat steel conforming to ASTM A569. Finish: Zinc plate with yellow chromate finish.

Footer: Weldment comprised of 1.660" O.D. RS20 (.085" - .095" Wall) galvanized steel tubing and 3/16" HRPO sheet steel. Finish: ProShield, black in color.

Fasteners: Primary fasteners shall be socketed and pinned tamperproof in design, stainless steel (SST) per ASTM F 879 unless otherwise indicated (see specific product installation/specifications).

168365 AdventureScapes®, Design #2

Installation Time: 18 man hours
Concrete Req.: Approx. 1.75 cu. yards
Area Req.: 39'-1" (11,91 m) x 23' 4" (7,11 m)
Actual Size: The Pointe measures 84" (2,13 m) long x 78" (1,98 m) wide x 70" (1,77 m) high.
Fall Height: 56" (1,42 m)
Weight: 5,880 lbs.

Installation Instructions

1) Refer to the Plan View/Footing Layout for trench and footing locations.

Warning: Never crawl under any part of the Pointe - especially when it is only supported by a forklift.

2) To unload the Pointe a "Lull" type material handler with at least an 4000 lb. capacity is recommended. Maximum fork extension size is 3 1/2" high x 7 1/2" wide with no maximum length. **NOTE: At least 2 people are recommended for the Pointe installation. One person to operate the material handling equipment and one person to spot for the operator.**

3) The Pointe should be placed on level stable ground. Pick up the Pointe by inserting the material handling forks into the forklift pockets. Be very careful to keep the Pointe level to the ground when raising or lowering. Do not tip the Pointe on a corner or edge. Do not contact the concrete face of the Pointe with material handler forks, chipping can occur. Refer to the Plan View for proper orientation. **NOTE: Use a level to ensure the Pointe frames are level.**

4) Place support braces in trench underneath the Pointe frame, as shown to ensure frame stays level. Refer to the PlanView/Footing Layout and Trench Details.

5) **(Corkscrew Net)** Insert 5/8" O.D. x 3/8" bushings into Pointe attachment tabs. Attach corkscrew net to the Pointe attachment tabs using 3/8" x 7/8" BHCS w/pin limited thread. Refer to the Net Attachment Detail.

6) **(Corkscrew Net)** Attach corkscrew net chain to corkscrew net bar, using 5/8" O.D. x 3/8" bushings, bolt links and 3/8" x 1 1/4" BHCS w/pin limited thread. Refer to the Corkscrew Net Chain Attachment Detail.

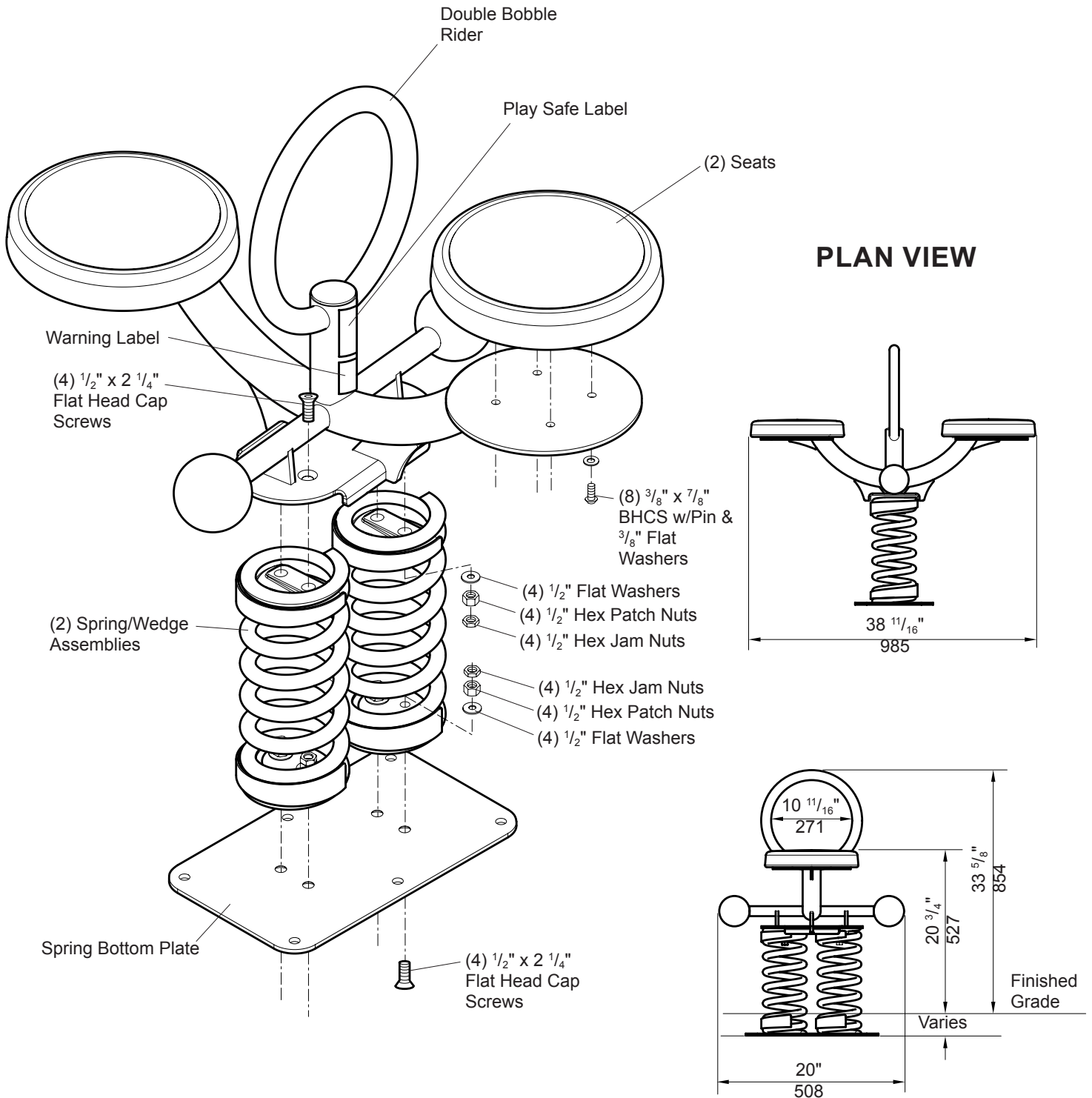
7) **(Corkscrew Net)** Attach bolt link to corkscrew net chain, using 3/8" x 1 1/4" BHCS w/pin limited thread. Refer to the Corkscrew Net Chain Attachment Detail. Attach footer to bolt link, using bolt link, 5/8" O.D. x 1/2" bushing and 3/8" x 1 1/4" BHCS w/pin limited thread. Refer to the Corkscrew Net Chain Attachment Detail.

8) Attach L-anchors to the Pointe frames, using 1/2" standard hex nuts with 1/2" flat washers. Refer to the Direct Bury Trench Detail.

9) Use a hammer to tap rock pocket covers into rock pockets until tight. Refer to the Pointe Pocket Details.

10) With the Pointe frames level and in position, pour concrete footings and trenches. Trenches should be filled with concrete up to the bottom of the Pointe frames.

11) Install protective surfacing before users are allowed to play on the structure.





Kids In Motion 164075 Bobble Rider™, Double

Parts List

Part#	Description	Qty.
132912	Spring/Wedge Assembly, Black	2
160586	Seat, Black.....	2
185341	Double Bobble Rider, Specify Color.....	1
164058	Footer (DB), Black.....	1
164318	Spring Bottom Plate (SM), Black.....	1
183887	Double Bobble Rider Hardware Package	1
100196	3/8" x 7/8" BHCS w/Pin, SST	8
100362	3/8" Flat Washer, SST	8
100363	1/2" Flat Washer, SST.....	8
129692	1/2" Hex Patch Nut, SST.....	8
129693	1/2" Hex Jam Nut, SST.....	8
130824	1/2" x 2 1/4" Flat Head Cap Screw, SST	8
156846	Play Safe Label 2-12 Years.....	1
183064	Warning Label	1
121868	Spring Animal Anchor Hardware Package (SM) ...	1
100262	1/2" x 6" Anchor Bolt.....	6
100322	1/2" Standard Hex Nut, SST	6
100363	1/2" Flat Washer, SST	6

DB = Direct Bury
SM = Surface Mount

Specifications

Double Bobble Rider: Weldment comprised of 1.315" O.D. RS20 (.080"-.090" wall) galvanized steel tubing, 2.375" O.D. RS20 (.095"-.105" wall) galvanized steel tubing, 3/8" HRPO steel plate, 1/4" HRPO steel plate, and 4" diameter 10 GA. (.135") low carbon steel ball. Finish: ProShield®, color specified.

Spring: Weldment comprised of 5 5/8" diameter 13/16" tempered alloy steel coil. Finish: ProShield, black in color.

Seat: Rotationally molded from U.V. stabilized linear low density polyethylene, black in color.

Spring Bottom Plate: Fabricated from 3/8" x 10" x 17" sheet HRPO steel. Finish: ProShield, black in color.

Footer: Weldment comprised of 3 1/2" O.D. RS20 (.120" - .130" wall) galvanized steel tubing and 1/4" x 10" x 17" sheet HRPO steel. Finish: ProShield, black in color.

Fasteners: Primary fasteners shall be socketed and pinned tamperproof in design, stainless steel (SST) per ASTM F 879 unless otherwise indicated (see specific product installation/specifications).

Installation Time: SM - Approx. 2 man hours
DB - Approx. 2 1/4 man hours

Concrete Req.: DB - Approx. 5.25 cu. ft.

Area Req.: 15'-3" x 13'-8" (4,64 m x 4,17 m) Minimum Use Zone

Weight: (SM) 113 lbs

(DB) 137 lbs

Seat Height: 20 3/4" (527 mm)

Installation Instructions

(Direct Bury)

- 1) Dig footing hole as shown.
- 2) Attach Bobble Rider to spring/wedge assemblies using 1/2" x 2 1/4" flat head cap screws, 1/2" flat washers, 1/2" hex patch nuts and 1/2" hex jam nuts, as shown.
- 3) Attach spring/wedge assemblies to footer using 1/2" x 2 1/4" flat head cap screws, 1/2" flat washers, 1/2" hex patch nuts and 1/2" hex jam nuts.
- 4) Attach seats to Bobble Rider using 3/8" x 7/8" BHCS w/pin and 3/8" flat washers.
- 5) With footer plumb and Bobble Rider propped up, pour concrete footing and let cure for a minimum of 72 hours before using.
- 6) Apply labels as shown.
- 7) Install protective surfacing before users are allowed to play on the component.

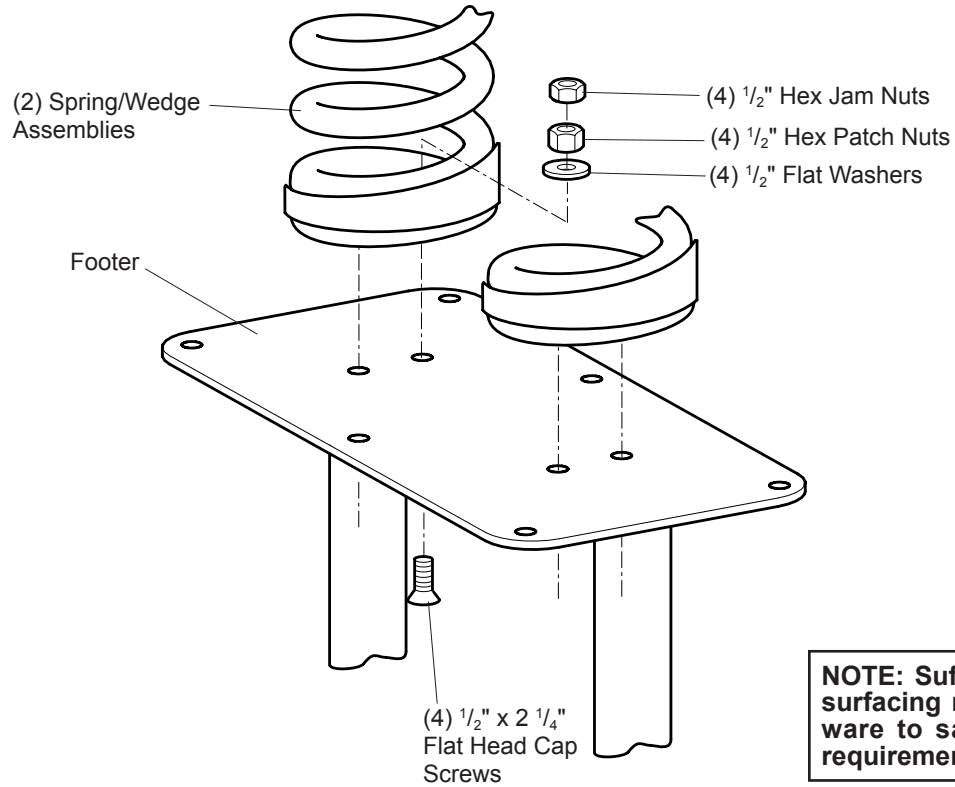
(Surface Mounting On A Concrete Slab)

- 1) Using the spring bottom plate as a pattern, make a plywood template for anchor bolt placement. Attach 1/2" x 6" anchor bolts with 1/2" standard hex nuts and 1/2" flat washers to holes in template.
- 2) Pour concrete slab and lay template on surface in level position. Push 1/2" x 6" anchor bolts into concrete and allow 3/4" to 7/8" of thread to protrude from concrete. Allow 72 hours before template removal.
- 3) Attach spring/wedge assemblies to spring bottom plate using 1/2" x 2 1/4" flat head cap screws, 1/2" flat washers, 1/2" hex patch nuts and 1/2" hex jam nuts.
- 4) Attach spring bottom plate to anchor bolts in concrete with 1/2" standard hex nuts and 1/2" flat washers.
- 5) Attach Bobble Rider to spring/wedge assemblies using 1/2" x 2 1/4" flat head cap screws, 1/2" flat washers, 1/2" hex patch nuts and 1/2" hex jam nuts, as shown.
- 6) Attach seats to Bobble Rider using 3/8" x 7/8" BHCS w/pin and 3/8" flat washers.
- 7) Apply labels as shown.
- 8) Sufficient protective surfacing for a 2' fall height should cover bottom plate and anchor bolts. (See ASTM F1487, Section 9.)

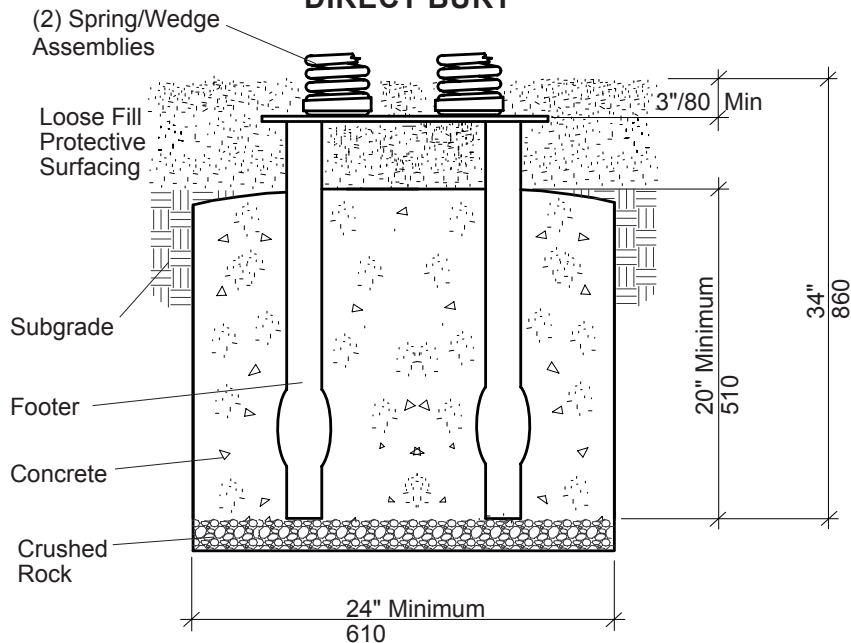
SAFETY NOTE
 Choose a protective surfacing material that has a Critical Height Value of at least the height of the Highest Accessible Part/Fall Height of the adjacent equipment. (Ref. ASTM F1487.)

164077a

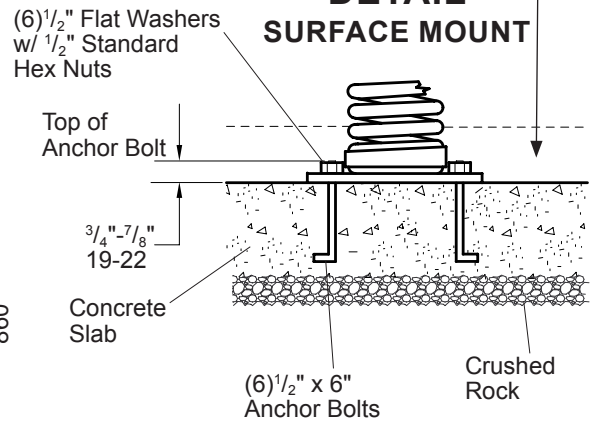
**DETAIL
 DIRECT BURY
 BASE LEG ATTACHMENT**



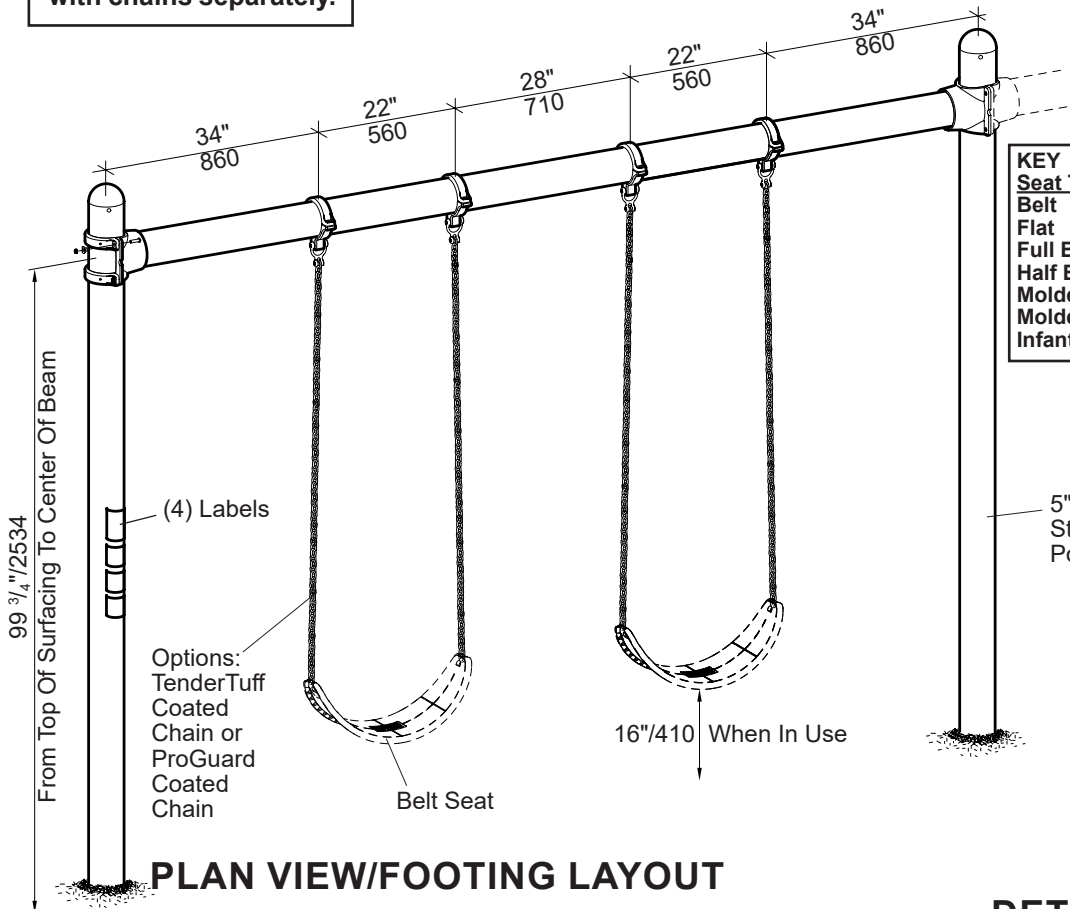
**DETAIL
 DIRECT BURY**



**DETAIL
 SURFACE MOUNT**



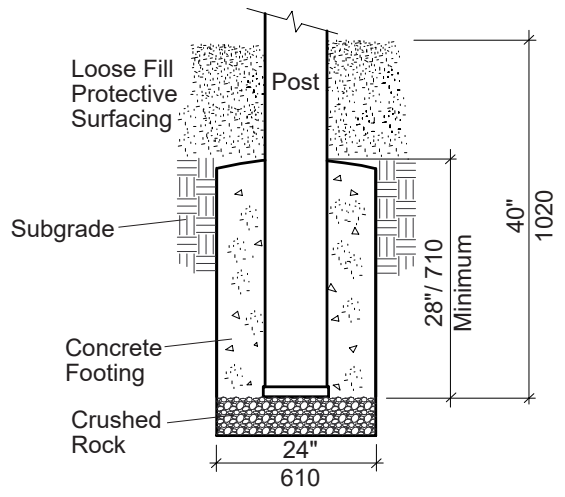
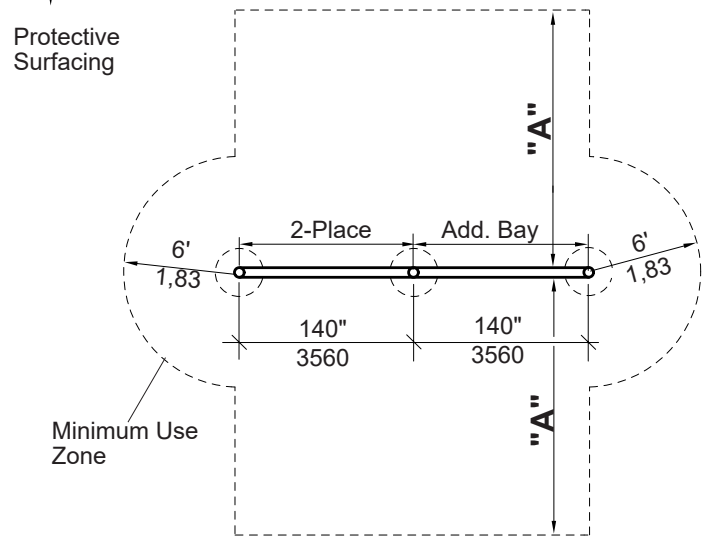
NOTE: Model numbers are for swing frames only, order swing seats with chains separately.



KEY	Dimension "A"
Seat Type	
Belt	16'-0" (4,88 m)
Flat	16'-0" (4,88 m)
Full Bucket	12'-0" (3,66 m)
Half Bucket	16'-0" (4,88 m)
Molded Bucket	16'-0" (4,88 m)
Molded Bucket/Harness	13'-0" (3,96 m)
Infant Full Bucket	N/A

PLAN VIEW/FOOTING LAYOUT

**DETAIL
CONCRETE FOOTING**



Model #177333 Additional Bay

Swings 177332/177333 Single Post Swing Frame



Swings 177332/177333 Single Post Swing Frame

Parts List

Part#	Description	Qty.	
		2 Pl	Add Bay
216492	Swing Beam, Specify Color	1	1
220966	148" Steel Post Assy., Specify Color.....	2	1
105327	5" Half Clamp, Specify Color	8	4*
100610	1/4X5/8i DRV, Rivet, AS.....	8	8
121291	Swing Hanger Clamp Assy. Specify Color	4	4
121289	Swing Hanger Clamp, Specify Color	4	4
127068	7/16" x 2 7/16" BHCS w/Pin Ltd. Thread, SST	4	4
138917	Swing Hanger Double Clevis	4	4
100667	Oilite Bushing.....	4	4
243802	Hdw Pkg 5iOD Swing Beam.	1	1
100198	3/8" x 1 1/8" BHCS w/Pin, SST	8	8
234397	BHCS 6LP LTHD 7/16 x 1 11/16i, SSTST	8	8
100292	3/8" x 1 1/4" BHCS w/Pin Ltd. Thread, SST	4	4
100351	3/8" Tee Nut, SST.....	8	8
156846	Play Safe Label, 2-12 Yrs.....	1	1
234937	7/16" D Cut Washer, SST.....	16	16
182213	Hot Surface Warning Label	1	1
182212	Entanglement Warning Label	1	1
115176	Hard Surface Warning Label	1	1
100330	7/16" Nylok Hex Nut	8	8

* = 5" Half Clamps From 2 PL. End Of Beam Need To Be Used.

Specifications

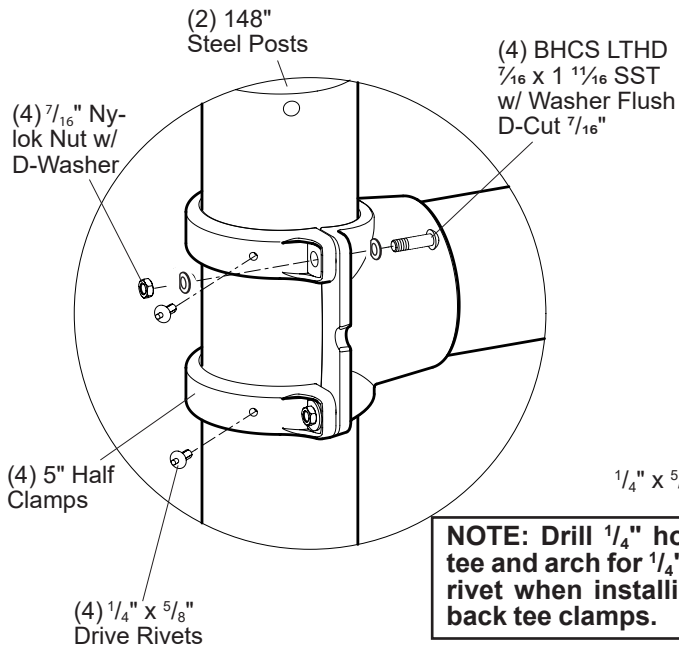
Post:	See PlayBooster® (PB) General Specifications.
Swing Beam:	Weldment comprised of tee clamps and 5" O.D. extruded 6005-T5 aluminum alloy tube with a .125" wall. Finish: ProShield®, color specified.
Clamp:	Cast aluminum. Finish: ProShield,, color specified.
Fasteners:	Primary fasteners shall be socketed and pinned tamperproof in design, stainless steel (SST) per ASTM F 879 unless otherwise indicated (see specific product installation/specifications).
Installation Time:	2-Place - Approx. 6 man hours Additional Bay - Approx. 3 man hours
Concrete Req.:	2-Place - Approx. 14 cu. ft. Additional Bay - Approx. 7 cu. ft.
Area Req:	2-Place - 24'-1" x 24' (7,3 m x 7,31 m) Full bucket seats. 2-Place - 24'-1" x 32' (7,3 m x 9,75 m) For all other seats. Additional Bay - 11'-8" x 24' (3,56 m x 7,31 m) Full bucket seats. Additional Bay - 11'-8" x 32' (3,56 m x 9,75 m) For all other seats.

Weight: **2-Place** - 206 lbs.
Additional Bay - 122 lbs.

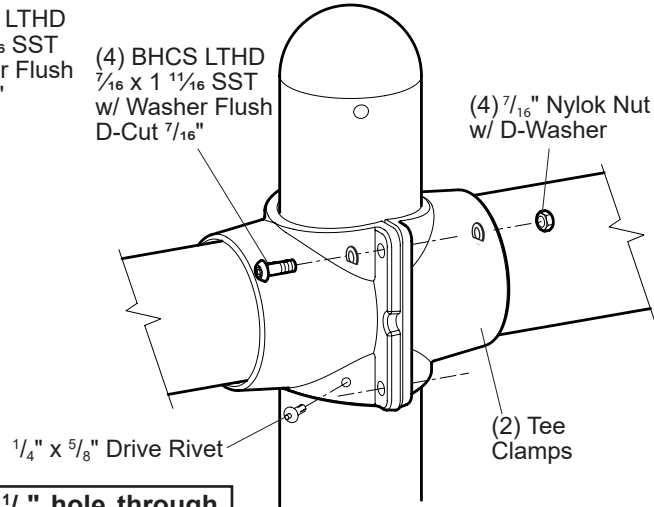
Installation Instructions

- 1) Dig footings spaced as shown. Refer to Concrete Footing Detail.
- 2) Set posts in footing holes and attach swing beam using 5" half clamps with 7/16" BHCS w/Pin, 7/16" D-Cut Washers, and 7/16" Nylok nuts. Refer to the Swing Beam Attachment Detail. Center of beam should be 99 3/4" above finished grade. When installing back to back swing beams refer to the Back To Back Tee Clamps Detail. **NOTE: Tighten all BHCS w/ pin equally.**
- 3) Level beam and plumb posts and temporarily prop in position. Pour concrete footings and let cure for 72 hours before proceeding.
- 4) Locate, mark and attach swing hanger clamps to beam in locations shown. Refer to the Swing Hanger Clamp Attachment Detail.
- 5) **NOTE: Refer to specific swing seat installation document for attaching chains and seats.**
- 6) Install 1/4" x 5/8" drive rivets in all 5" half clamps. Refer to the Typical Offset Hanger Clamp Spec Sheet. Refer to the Back To Back Tee Clamps Detail.
- 7) Apply Play Safe and Warning Labels, as shown.
- 8) Install protective surfacing before users are allowed to play on the swing.

**DETAIL
BEAM ATTACHMENT**



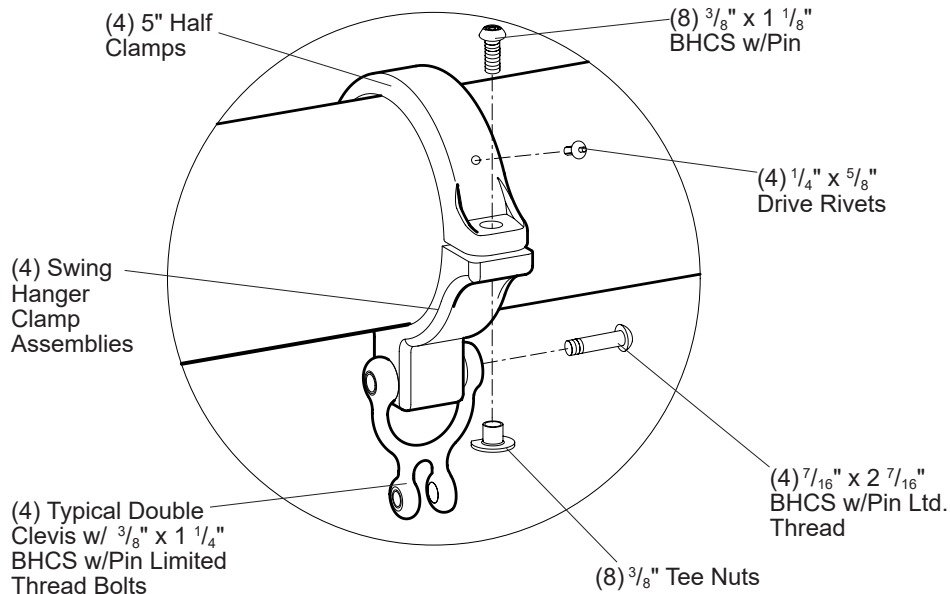
**DETAIL
BACK TO BACK
TEE CLAMPS**

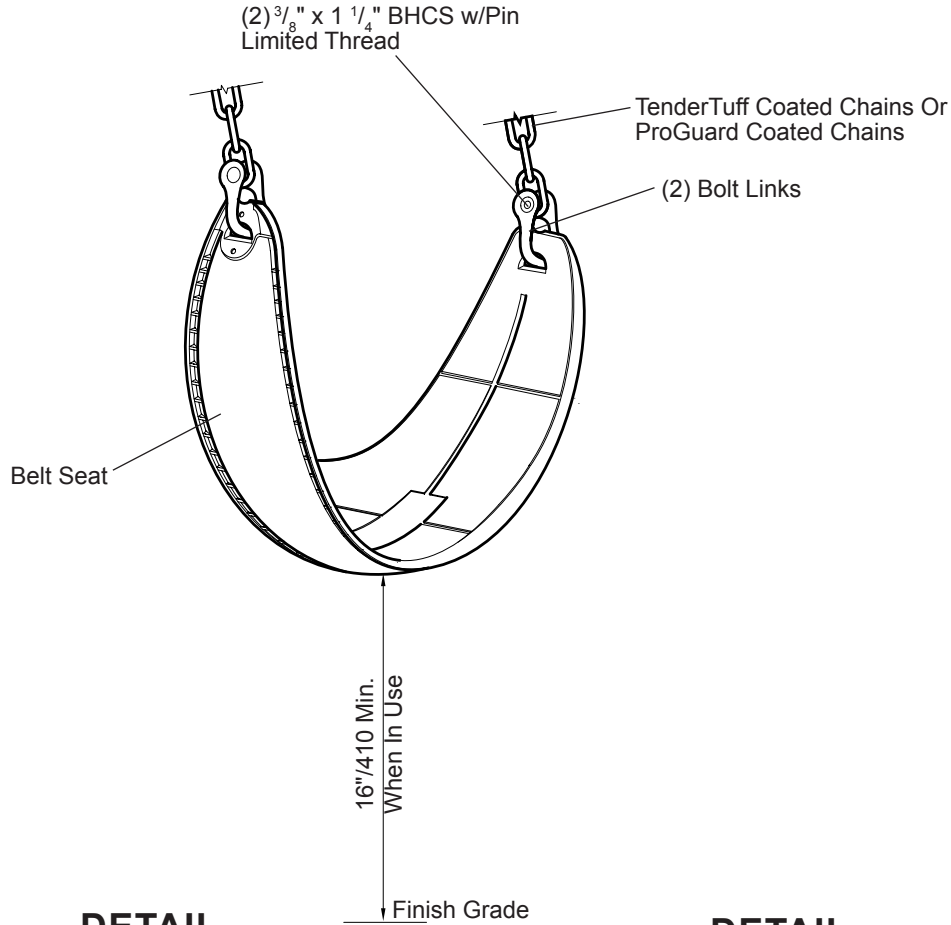


NOTE: Drill 1/4" hole through tee and arch for 1/4" x 5/8" drive rivet when installing back to back tee clamps.

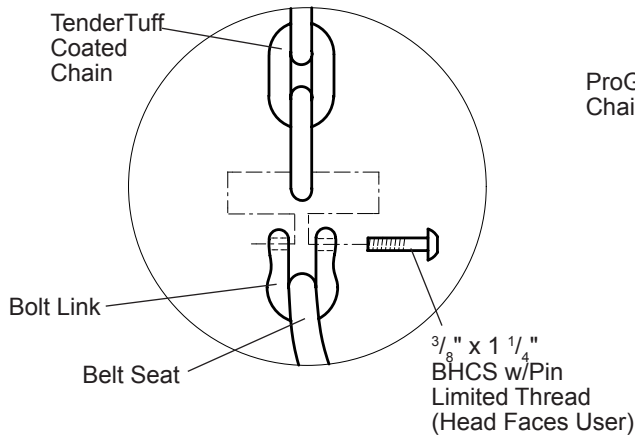
NOTE: Tighten all BHCS w/Pin equally.

**DETAIL
SWING HANGER ATTACHMENT**

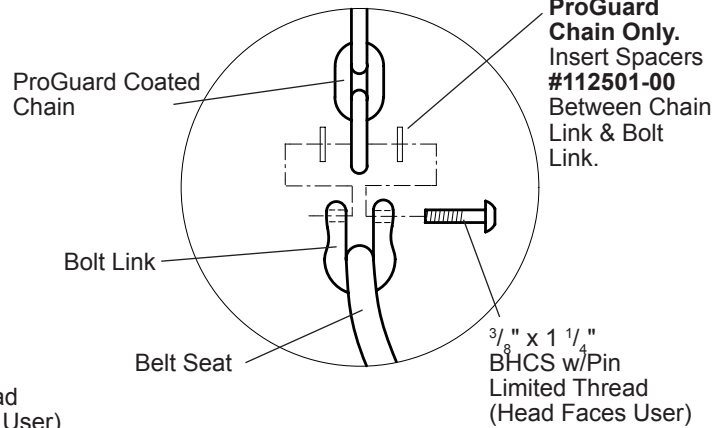




**DETAIL
BOLT LINK**



**DETAIL
BOLT LINK**



Swings

174018 Belt Seat

Parts List

Part #	Description	Qty.
7 Ft. High Beam		
128842	Belt Swing Seat, Black.....	1
178679	57 7/16" Chain, TenderTuff, Specify Color.....	2
175251	57 7/16" Chain, ProGuard.....	2
132672	Bolt Link w/Bolt & Spacers	1
100292	3/8" x 1 1/4" BHCS w/Pin Ltd. Thread, SST	2
138915	Bolt Link, SST.....	2
112501	Chain Spacer.....	4
132635	Bolt Link w/Bolt Hardware Package	1
100292-00	3/8" x 1 1/4" BHCS w/Pin Ltd. Thread, SST	2
138915	Bolt Link, SST.....	2
8 Ft. High Beam		
128842	Belt Swing Seat, Black.....	1
152050	67 7/8" Chain, TenderTuff, Specify Color	2
174404	67 7/8" Chain, ProGuard.....	2
132672	Bolt Link w/Bolt & Spacers	1
100292	3/8" x 1 1/4" BHCS w/Pin Ltd. Thread, SST	2
138915	Bolt Link, SST.....	2
112501	Chain Spacer.....	4
132635	Bolt Link w/Bolt Hardware Package	1
100292	3/8" x 1 1/4" BHCS w/Pin Ltd. Thread, SST	2
138915	Bolt Link, SST.....	2
10 Ft. High Beam		
128842	Belt Swing Seat, Black.....	1
152052	90 11/16" Chain, TenderTuff, Specify Color.....	2
174884	90 11/16" Chain, ProGuard.....	2
132672	Bolt Link w/Bolt & Spacers	1
100292	3/8" x 1 1/4" BHCS w/Pin Ltd. Thread, SST	2
138915	Bolt Link, SST.....	2
112501	Chain Spacer.....	4
132635	Bolt Link w/Bolt Hardware Package	1
100292	3/8" x 1 1/4" BHCS w/Pin Ltd. Thread, SST	2
138915	Bolt Link, SST.....	2

Specifications

Chain Spacer: Made from white nylon measuring .080" x .785" O.D.

Chain/ProGuard: Steel 3/16" straight link chain, 800 lb. working load limit. Finish: ProGuard.

Chain/Coated: Steel 3/16" straight link chain, 800 lb. working load limit. Finish: TenderTuff®, color specified.

Belt Seats: Molded from U.V. stabilized black EPDM rubber encapsulating a weldment comprised of a 22 GA (.029") spring stainless steel sheet, and (4) .105" thick stainless steel washers. The belt seat elliptical shape measures 7" wide x 26" long x .700" thick.

Bolt Link: Stainless Steel.

Fasteners: Primary fasteners shall be socketed and pinned tamperproof in design, stainless steel (SST) per ASTM F 879 unless otherwise indicated (see specific product installation/specifications).

Installation Time: 1/4 man hour per seat

Weight: 8 lbs. (7 Ft. Beam w/ProGuard Chains)
9 lbs. (7 Ft. Beam w/TenderTuff Chains)
8 lbs. (8 Ft. Beam w/ProGuard Chains)
9 lbs. (8 Ft. Beam w/TenderTuff Chains)
10 lbs. (10 Ft. Beam w/ProGuard Chains)
11 lbs. (10 Ft. Beam w/TenderTuff Chains)

Installation

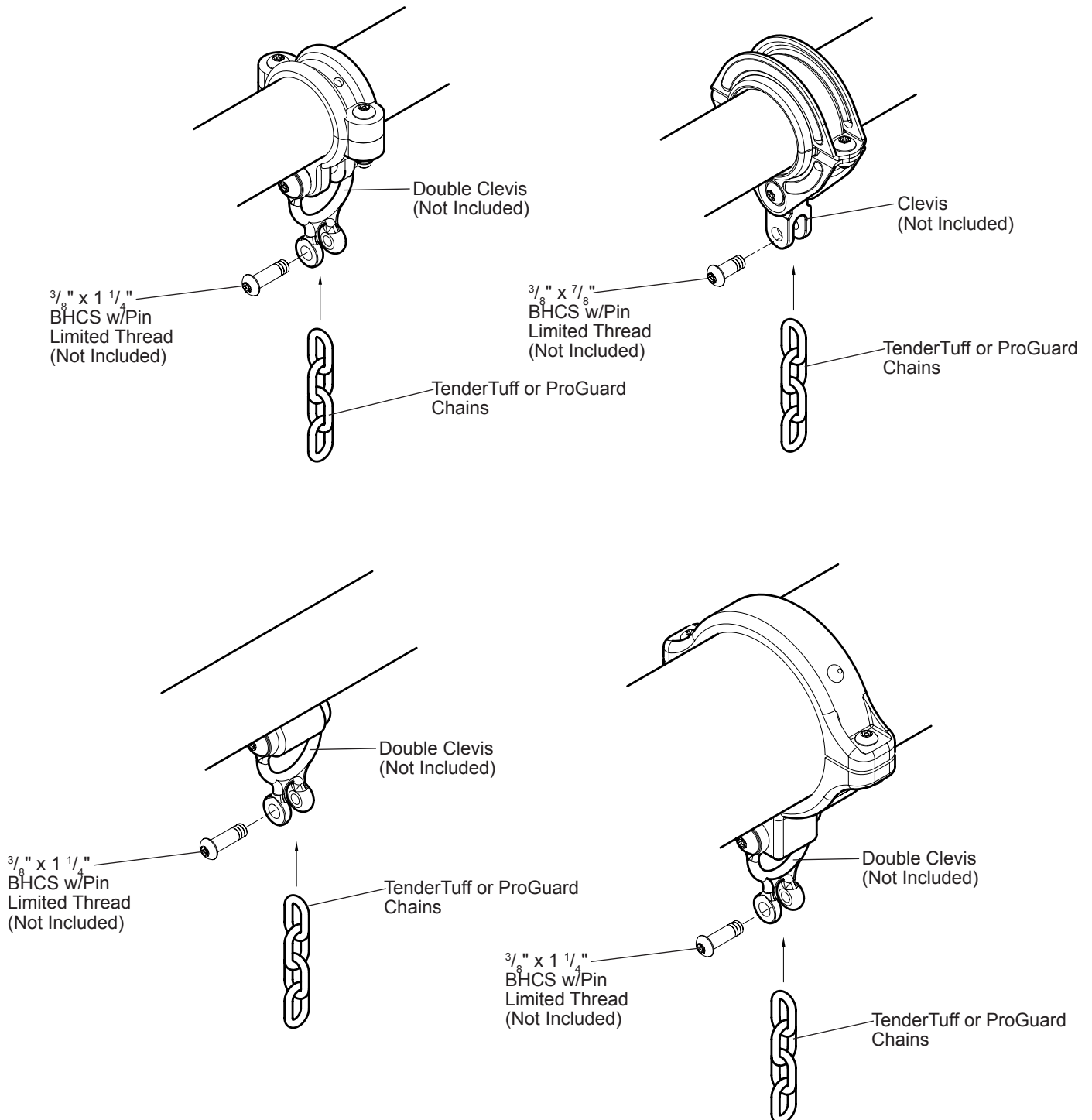
Swing Hangers With Double Clevis

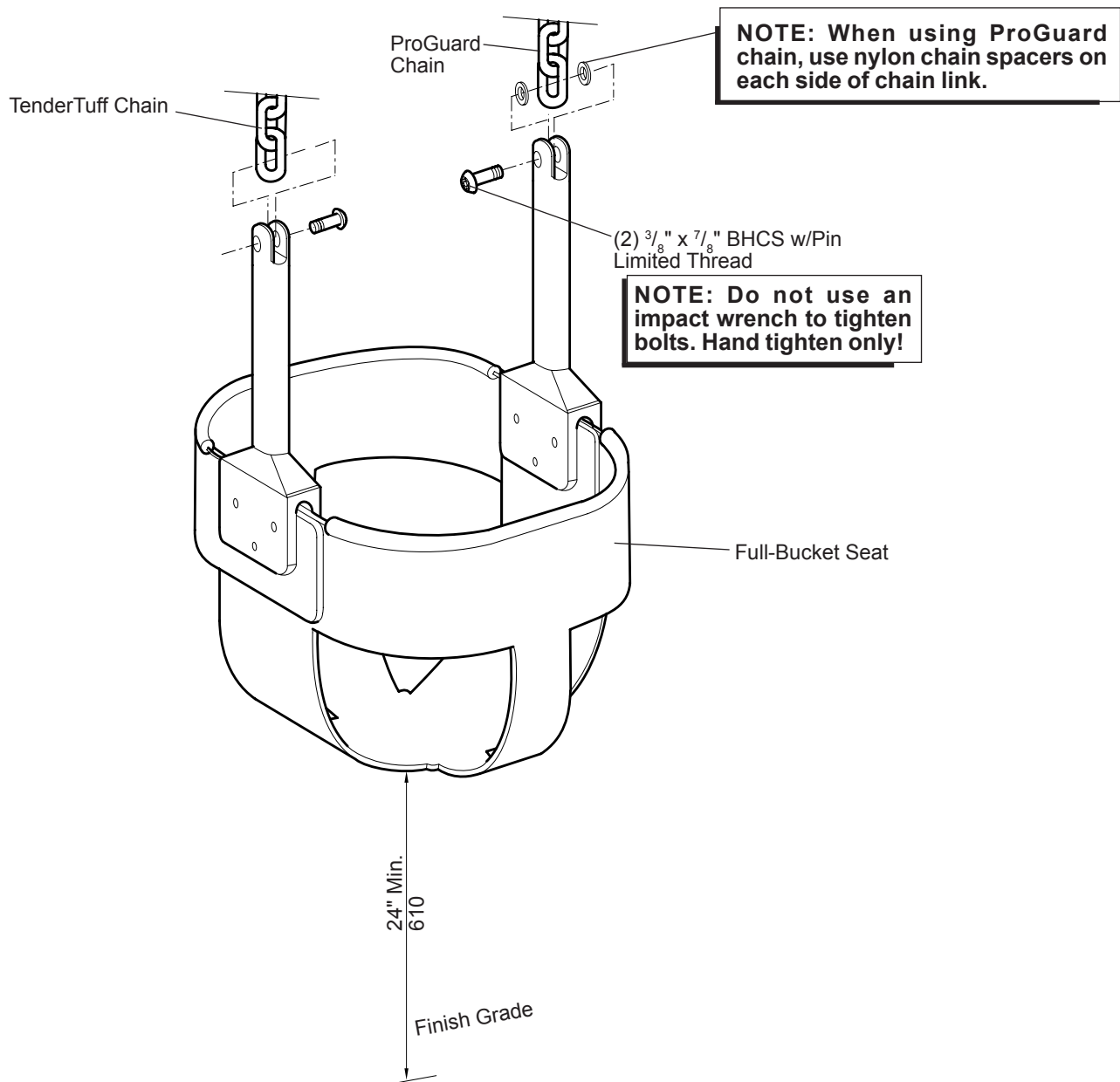
- 1) Attach chains to double clevis using 3/8" x 1 1/4" BHCS w/pin limited thread, as shown.
- 2) Attach chains to belt seat using bolt links with 3/8" x 1 1/4" BHCS w/pin limited thread. Be sure bolt heads face user. **NOTE:** Use chain spacers as shown when installing ProGuard chains.
- 3) Install protective surfacing before users are allowed to play on the structure.

Anti-wrap Swing Hangers

- 1) Attach chains to aluminum clevis using 3/8" x 7/8" BHCS w/pin limited thread, as shown.
- 2) Attach chains to belt seat using bolt links with 3/8" x 1 1/4" BHCS w/pin limited thread. Be sure bolt heads face user. **NOTE:** Use chain spacers as shown when installing ProGuard chains.
- 3) Install protective surfacing before users are allowed to play on the structure.

SWING HANGER OPTIONS





Swings

176038 Full-Bucket Seat, w/Chains



Swings 176038 Full-Bucket Seat, w/Chains

Parts List

Part#	Description	Qty.
7 Ft. High Beam (5" Dia. Beam)		
186276	Full-Bucket Swing Seat, Black	1
141739	43 3/16" Chain, TenderTuff, Specify Color	2
175248	43 3/16" Chain, ProGuard	2
138414	Bucket Seat Hardware Package	1
100290	3/8" x 7/8" BHCS w/Pin Limited Thread, SST	2
112501	Chain Spacer (For ProGuard Chains Only)	4
8 Ft. High Beam		
186276	Full-Bucket Swing Seat, Black	1
160110	52 9/16" Chain, TenderTuff, Specify Color	2
174882	52 9/16" Chain, ProGuard	2
138414	Bucket Seat Hardware Package	1
100290	3/8" x 7/8" BHCS w/Pin Limited Thread, SST	2
112501	Chain Spacer (For ProGuard Chains Only)	4
10 Ft. High Beam		
186276	Full-Bucket Swing Seat, Black	1
152051	76 7/16" Chain, TenderTuff, Specify Color	2
174883	76 7/16" Chain, ProGuard	2
138414	Bucket Seat Hardware Package	1
100290	3/8" x 7/8" BHCS w/Pin Limited Thread, SST	2
112501	Chain Spacer (For ProGuard Chains Only)	4
7 Ft. High Beam (Tot)		
186276	Full-Bucket Swing Seat, Black	1
152053	37 1/2" Chain, TenderTuff, Specify Color	2
175247	37 1/2" Chain, ProGuard	2
138414	Bucket Seat Hardware Package	1
100290	3/8" x 7/8" BHCS w/Pin Limited Thread, SST	2
112501	Chain Spacer (For ProGuard Chains Only)	4
75" High Beam (Toddler)		
186276	Full-Bucket Swing Seat, Black	1
152016	29 7/8" Chain, TenderTuff, Specify Color	2
174881	29 7/8" Chain, ProGuard	2
138414	Bucket Seat Hardware Package	1
100290	3/8" x 7/8" BHCS w/Pin Limited Thread, SST	2
112501	Chain Spacer (For ProGuard Chains Only)	4

Specifications

Full-Bucket Seat: Seat shall be molded of U.V. stabilized, high quality, black rubber, encapsulating a 24 gauge stainless steel reinforcement plate. Handle cast from 356-T6 aluminum alloy with black polyarmor paint finish. Handle attaches to seat with (3) 1/4" x 1 5/16" long stainless steel rivets. The finished size of the full bucket shall be 9" deep x 10 1/2" wide.

Chain/Coated: Steel 3/16" straight link chain, 800 lb. working load limit. Finish: TenderTuff, color specified.

Chain/ProGuard: Steel 3/16" straight link chain, 800 lb. working load limit. Finish: ProGuard.

Fasteners: Primary fasteners shall be socketed and pinned tamperproof in design, stainless steel (SST) per ASTM F 879 unless otherwise indicated (see specific product installation/specifications).

Installation Time: 1/4 man hour per seat

Weight:
 14 lbs. (7 FT. Beam 5" Dia. w/TenderTuff Chain)
 13 lbs. (7 FT. Beam 5" Dia. w/ProGuard Chain)
 14 lbs. (8 FT. Beam w/TenderTuff Chain)
 14 lbs. (8 FT. Beam w/ProGuard Chain)
 17 lbs. (10 FT. Beam w/TenderTuff Chain)
 16 lbs. (10 FT. Beam w/ProGuard Chain)
 12 lbs. (7 FT. Beam w/TenderTuff Chain)
 12 lbs. (7 FT. Beam w/ProGuard Chain)
 11 lbs. (75" Beam w/TenderTuff Chain)
 11 lbs. (75" Beam w/ProGuard Chain)

Installation Instructions

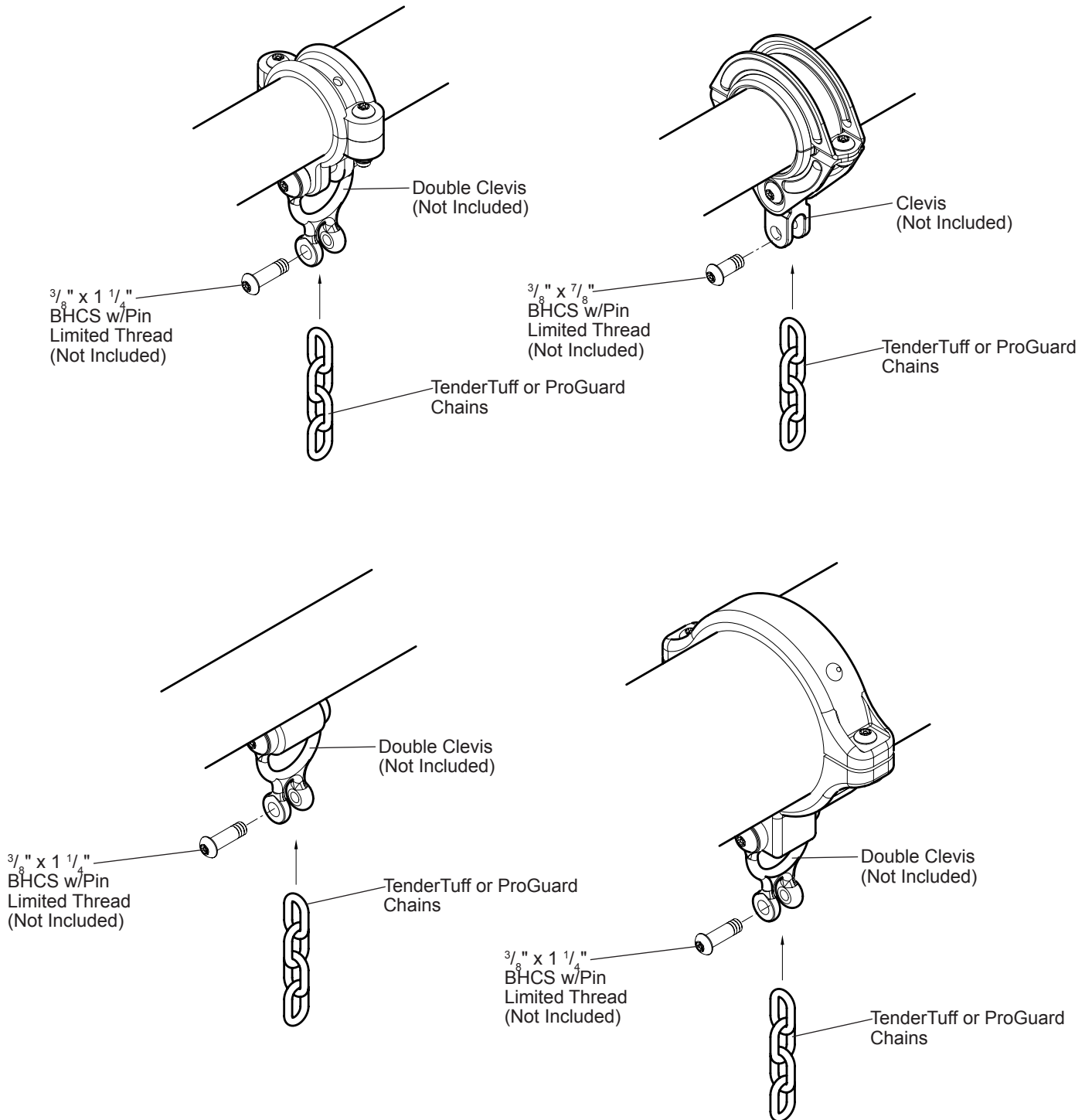
Swing Hangers with Double Clevis

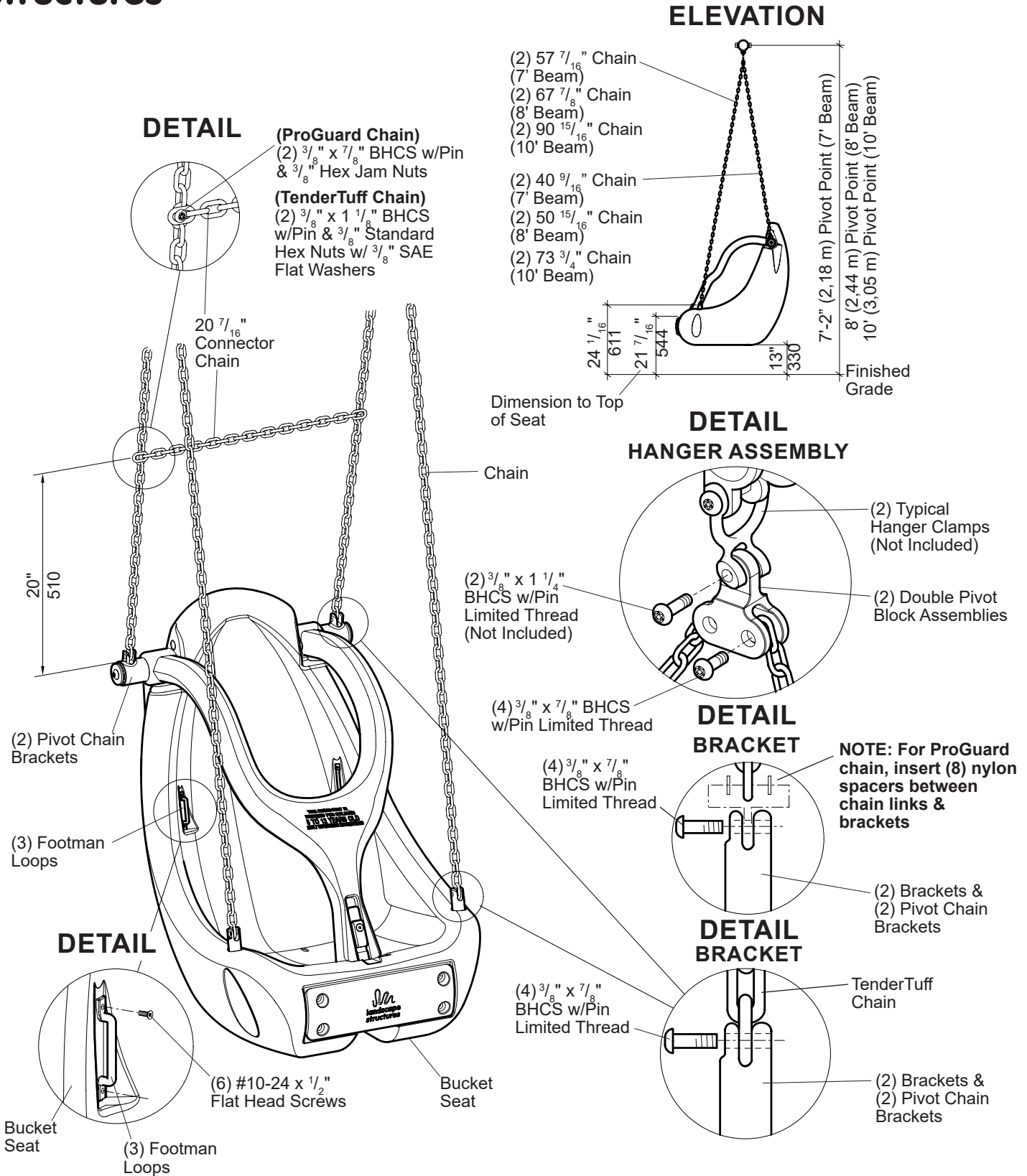
- 1) Attach chains to double clevis using 3/8" x 1 1/4" BHCS w/pin limited thread bolts, as shown.
- 2) Attach chains to full-bucket seat using 3/8" x 7/8" BHCS w/pin limited thread bolts. Be sure bolt heads face user. **NOTE:** Use chain spacers as shown when installing ProGuard chains.
- 3) Install protective surfacing before users are allowed to play on the structure.

Anti-wrap Swing Hangers

- 1) Attach chains to aluminum clevis using 3/8" x 7/8" BHCS w/pin limited thread bolts, as shown.
- 2) Attach chains to full-bucket seat using 3/8" x 7/8" BHCS w/pin limited thread bolts. Be sure bolt heads face user. **NOTE:** Use chain spacers as shown when installing ProGuard chains.
- 3) Install protective surfacing before users are allowed to play on the structure.

SWING HANGER OPTIONS







Swings 177351 Molded Bucket Seat, w/Harness

Parts List

Part#	Description	Qty.
259433	Molded Bucket Seat Assembly, Specify Color.....	1
7 Ft. High Beam - ProGuard Finished Chains		
175251	57 7/16" Long, (Front).....	2
193869	49 9/16" Long, (Back).....	2
175653	20 7/16" Long, (Connector).....	1
8 Ft. High Beam - ProGuard Finished Chains		
174404	67 7/8" Long, (Front).....	2
175619	50 15/16" Long, (Back).....	2
175653	20 7/16" Long, (Connector).....	1
10 Ft. High Beam - ProGuard Finished Chains		
174884	90 11/16" Long, (Front).....	2
175623	73 3/4" Long, (Back).....	2
175653	20 7/16" Long, (Connector).....	1
7 Ft. High Beam - TenderTuff Chains		
178679	57 7/16" Long, (Front), Specify Color.....	2
179286	40 9/16" Long, (Back), Specify Color.....	2
174571	20 7/16" Long, (Connector), Specify Color.....	1
8 Ft. High Beam - TenderTuff Chains		
152050	67 7/8" Long, (Front), Specify Color.....	2
174572	50 15/16" Long, (Back), Specify Color.....	2
174571	20 7/16" Long, (Connector), Specify Color.....	1
10 Ft. High Beam -TenderTuff Chains		
152052	90 11/16" Long, (Front), Specify Color.....	2
175621	73 3/4" Long, (Back), Specify Color.....	2
174571	20 7/16" Long, (Connector), Specify Color.....	1
225662	Molded Seat w/Yoke Hardware Package	1
100196	3/8" x 7/8" BHCS w/Pin, SST	2
100198	3/8" x 1 1/8" BHCS w/Pin, SST.....	2
100290	3/8" x 7/8" BHCS w/Pin Limited Thread, SST	8
100327	3/8" Standard Hex Nut, SST	2
100365	3/8" SAE Flat Washer, SST.....	6
106035	Seat Mounting Bracket.....	2
112501	Nylon Spacer	8
128296	3/8" Hex Jam Nut, SST.....	2
207709	Footman Loop, SST.....	3
160307	Double Pivot Block Assy.....	2
162462	#10-24 x 1/2" Flat Head Screw, SST	6

Specifications

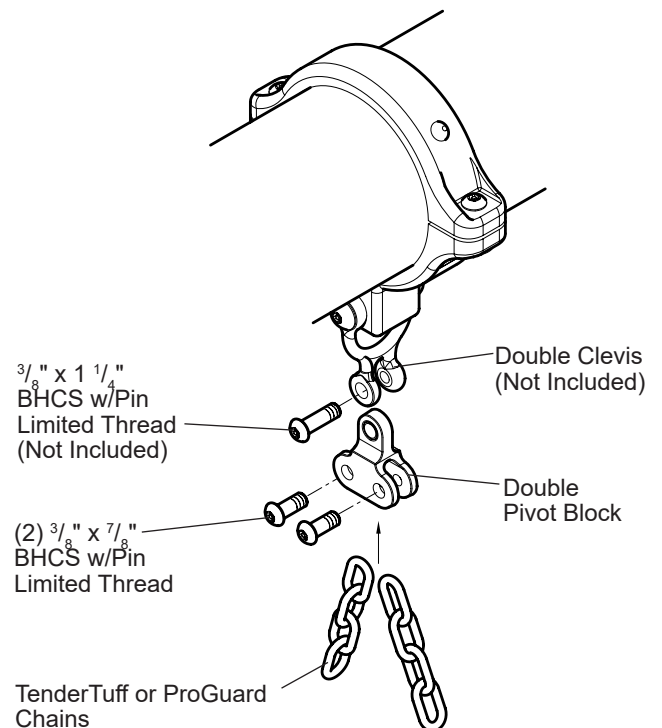
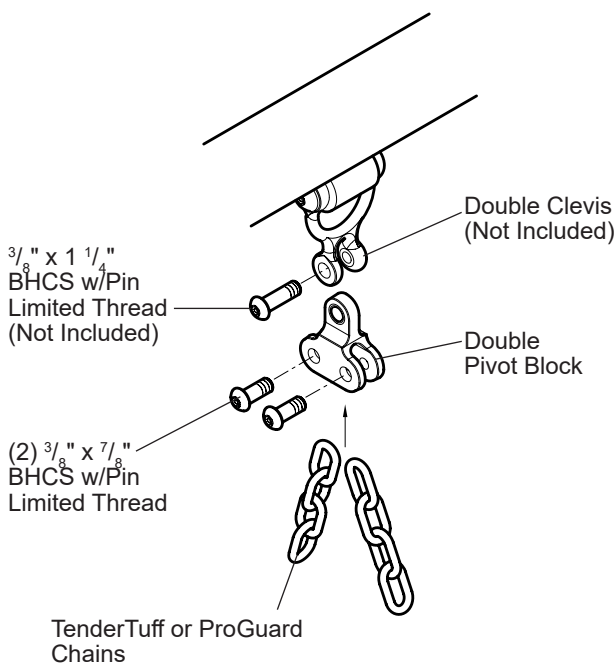
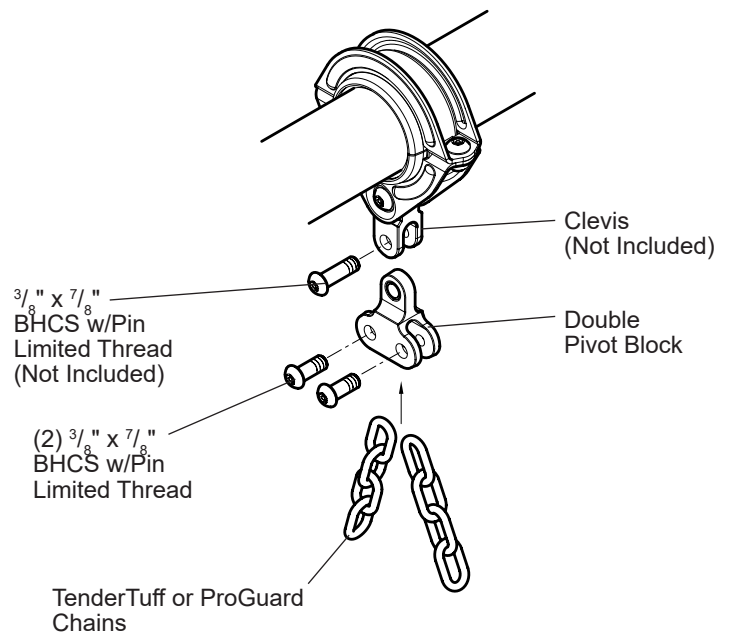
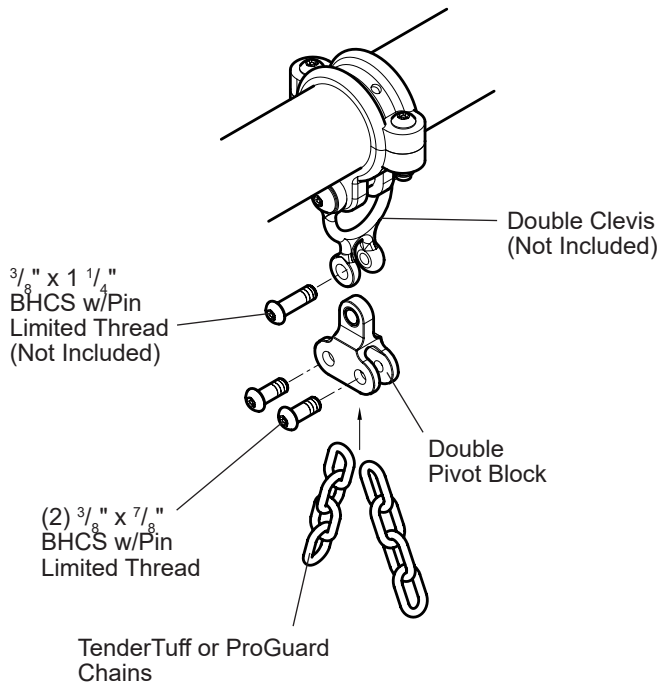
- Bucket Seat Assy:** (Bucket Seat & Yoke) Rotationally molded from U.V. stabilized linear low density polyethylene, color specified. (Pipebolt) Made from 1.125" O.D. 6005-T5 threaded anodized aluminum tube. (Bearings) UHMW PE lubricated. (Brackets) Made from 356-T6 aluminum.
- Chain/ProGuard:** Steel 3/16" straight link chain, 800 lb. working load limit. Finish: ProGuard.
- Chain/Coated:** Steel 3/16" straight link chain, 800 lb. working load limit. Finish: TenderTuff, color specified.

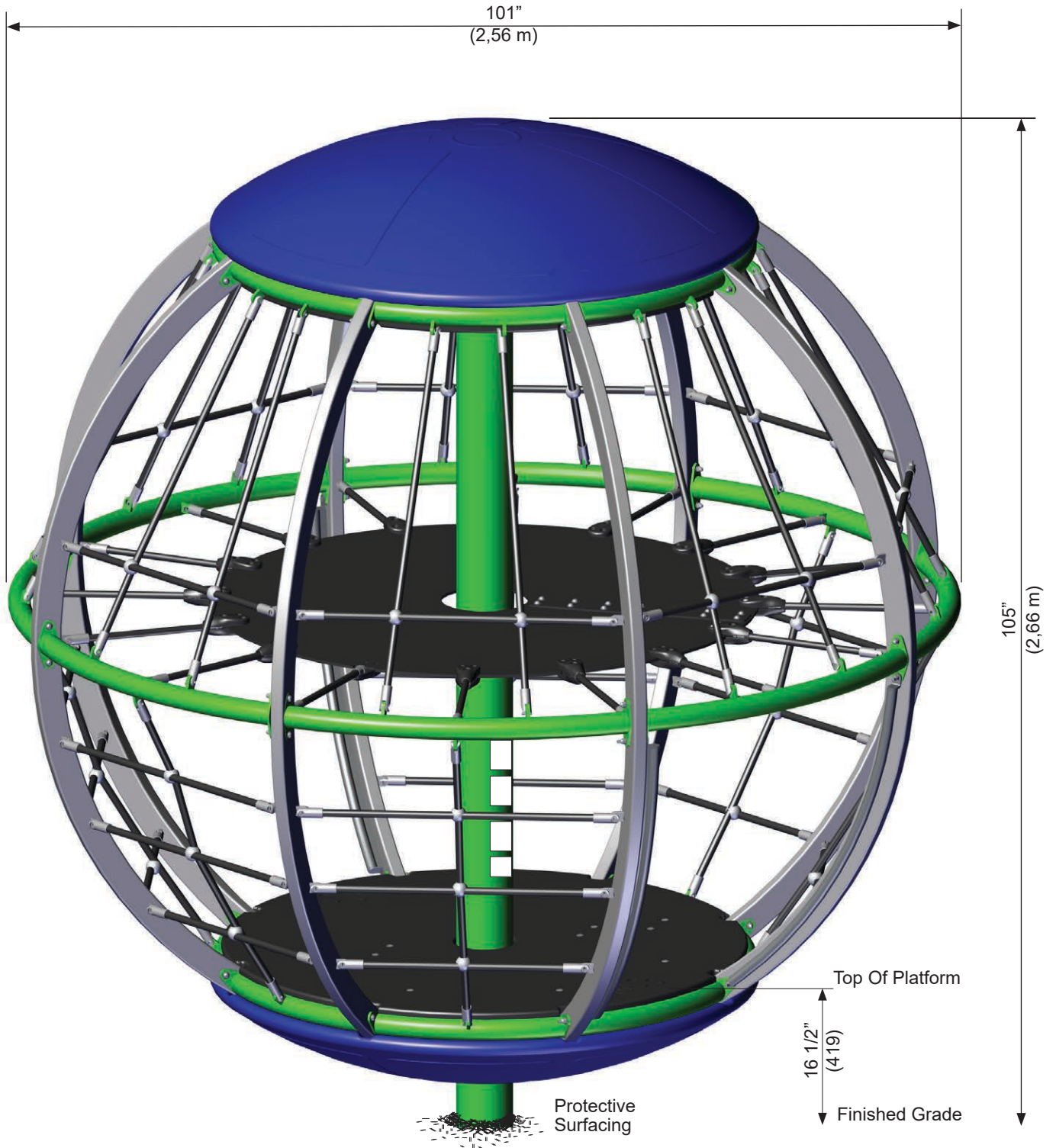
- Seat Mounting Bracket:** Cast from 535 aluminum magnesium.
- Bumper:** Molded from U.V. stabilized black EPDM rubber encapsulating 11 GA (.120") HRPO steel sheet.
- Dbl. Pivot Block:** Fabricated from 6061-T6 Aluminum with bronze oil impregnated bearing.
- Fasteners:** Primary fasteners shall be socketed and pinned tamperproof in design, stainless steel (SST) per ASTM F 879 unless otherwise indicated (see specific product installation/specifications).
- Installation Time:** Approx. 1 man hour
- Weight:** 50 lbs. (7 Ft. Beam w/ProGuard Chains)
53 lbs. (7 Ft. Beam w/TenderTuff Chains)
48 lbs. (8 Ft. Beam w/ProGuard Chains)
51 lbs. (8 Ft. Beam w/TenderTuff Chains)
51 lbs. (10 Ft. Beam w/ProGuard Chains)
55 lbs. (10 Ft. Beam w/TenderTuff Chains)

Installation Instructions

- 1) Insert seat mounting brackets into molded-in holes in front of bucket seat and attach ends of chain, using 3/8" x 7/8" BHCS w/pin limited thread. See Bracket Detail. **NOTE:** For ProGuard coated chain, insert (4) nylon spacers between chain links and brackets.
- 2) Attach ends of chain to pivot chain brackets, using 3/8" x 7/8" BHCS w/pin limited thread. See Bracket Detail. **NOTE:** For ProGuard coated chain, insert (4) nylon spacers between chain links and brackets.
- 3) Attach chains to double pivot blocks, using 3/8" x 7/8" BHCS w/pin limited thread.
- 4) **(Swing Hangers with Double Clevis)** Attach chains to swing hanger double clevis, using 3/8" x 1 1/4" BHCS w/pin limited thread.
(Anti-wrap Swing Hangers) Attach chains to anti-wrap swing hanger clevis, using 3/8" x 7/8" BHCS w/pin limited thread.
- 5) **(ProGuard Chain)** Attach connector chain to back swing chains at dimension shown, using 3/8" x 7/8" BHCS w/pin & 3/8" jam nuts. Refer to Detail.
(TenderTuff Chain) Attach connector chain to back swing chains at dimension shown, using 3/8" x 1 1/8" BHCS w/pin & 3/8" standard hex nuts with 3/8" SAE Flat Washers. Refer to Detail.
- 6) Attach footman loops, using #10-24 x 1/2" flat head screws, as shown. Footman loops are used for seat belts (not included).
- 7) Attach bumper to front of swing seat, using 3/8" x 7/8" BHCS w/pin with 3/8" SAE Flat Washers.
- 8) Install protective surfacing before users are allowed to play on the structure.

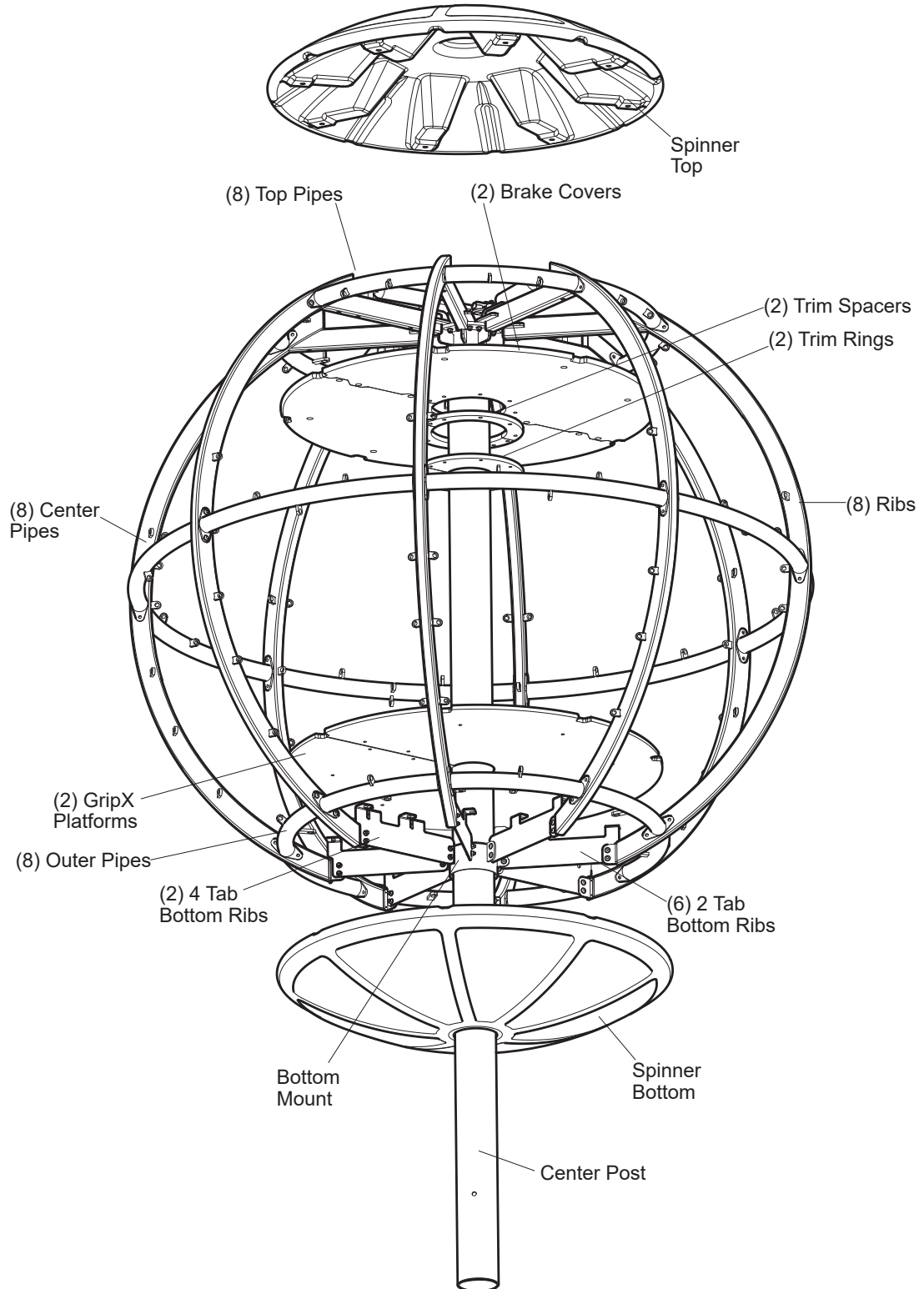
SWING HANGER OPTIONS





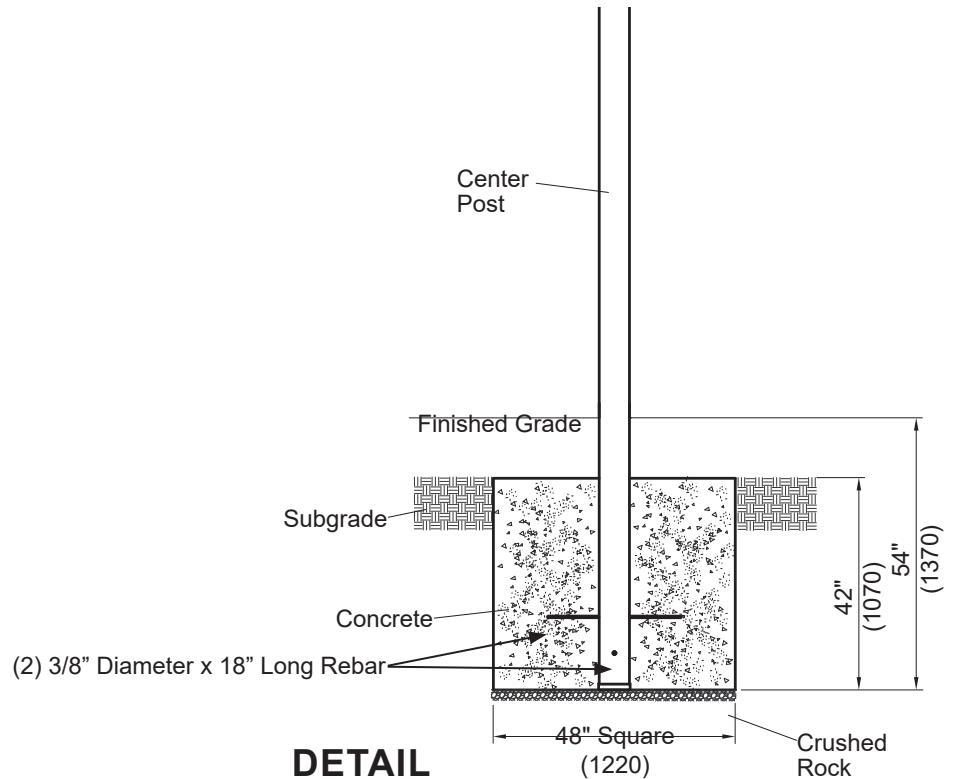
DETAIL

EXPLODED VIEW

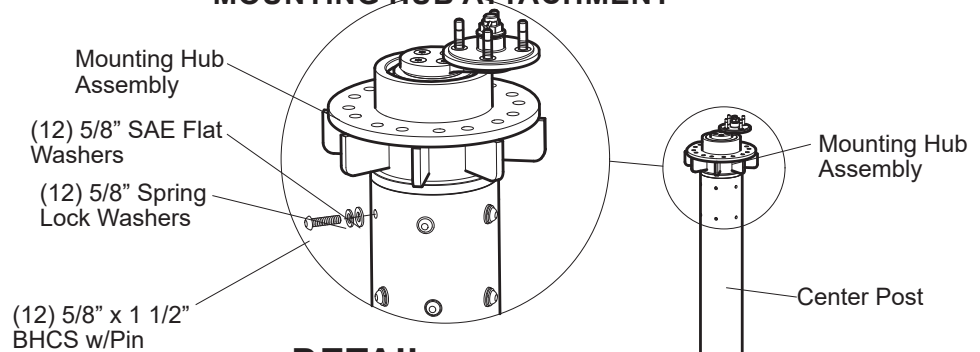


DETAIL DIRECT BURY

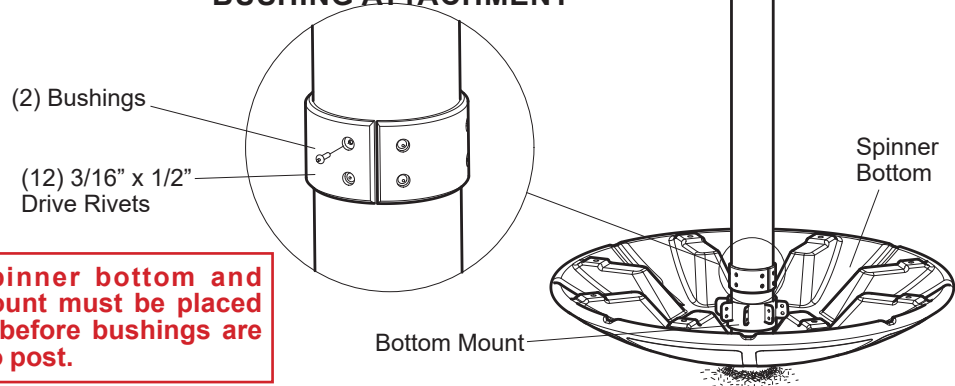
- 1) **(Direct Bury)** Dig footing as shown. Refer to the Elevation/Footing Layout Detail.
- 2) Place post assembly in footing hole. With post assembly propped in plumb position, pour concrete footing. Allow concrete footing to cure a minimum of 72 hours before completing Global Motion assembly.
- 3) Place spinner bottom onto post.
- 4) Place bottom mount onto post.
- 5) Attach bushings to post.
- 6) Attach mounting hub assembly to post.



DETAIL MOUNTING HUB ATTACHMENT

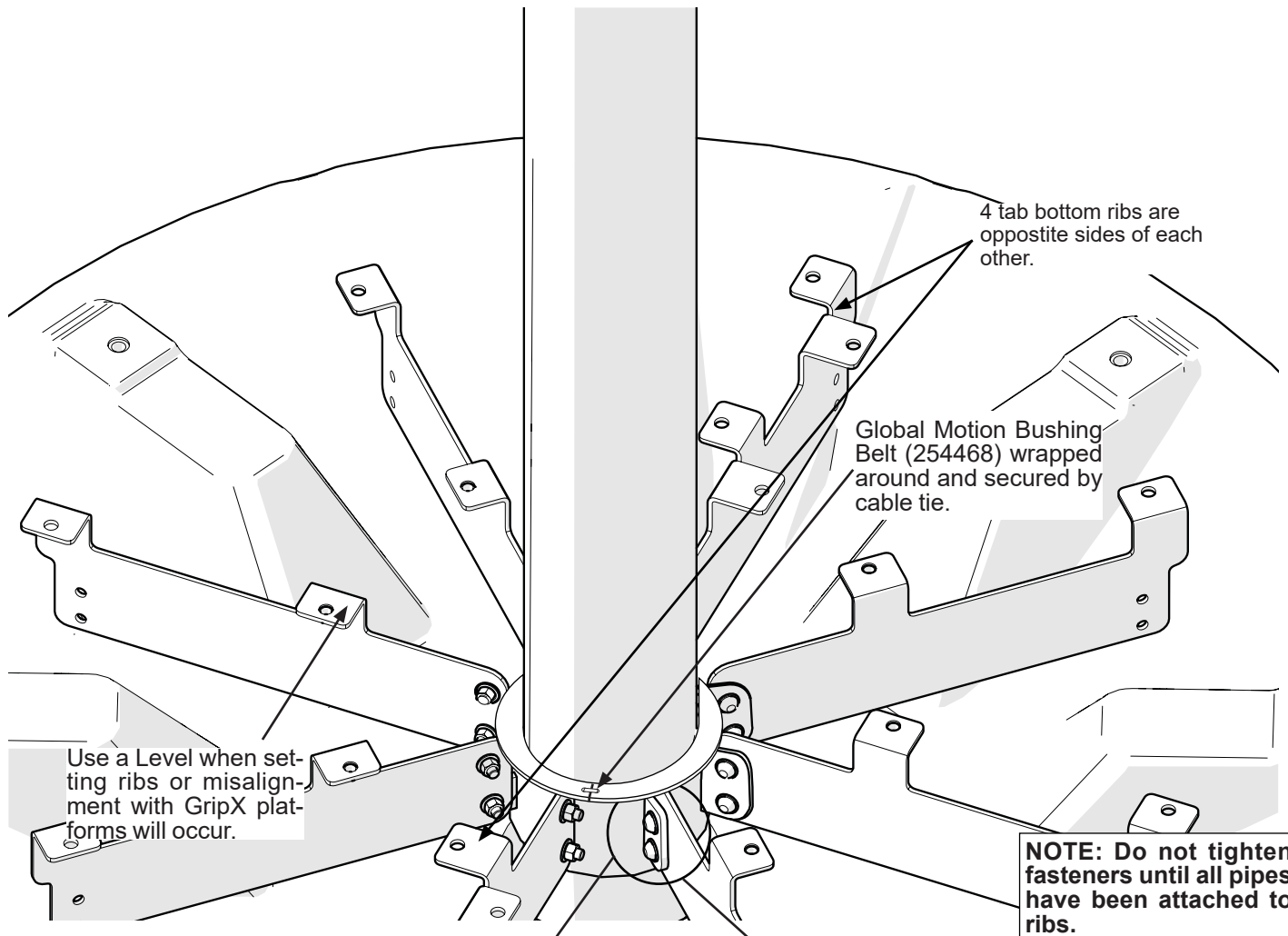


DETAIL BUSHING ATTACHMENT

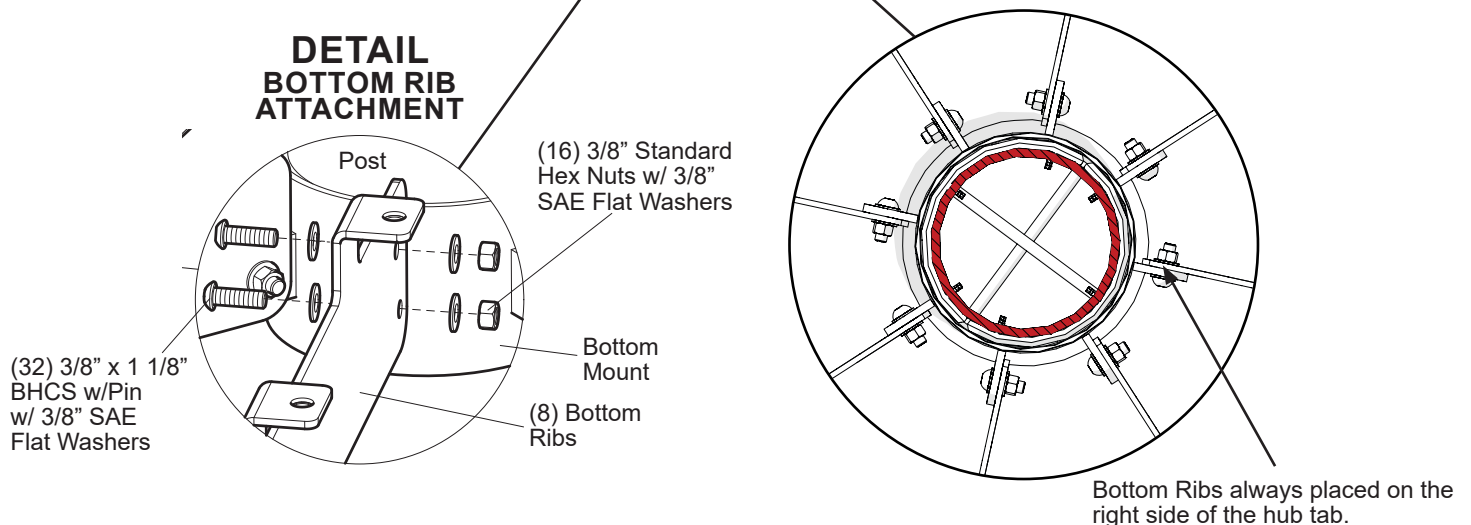


NOTE: Spinner bottom and bottom mount must be placed onto post before bushings are attached to post.

BOTTOM RIB ATTACHMENT



**DETAIL
BOTTOM RIB ATTACHMENT**

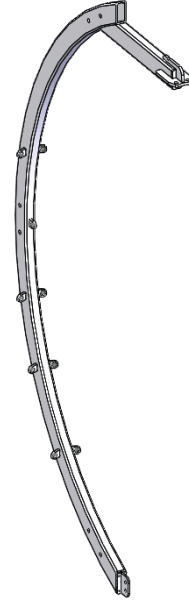


**DETAIL
VERTICAL RIBS ASSEMBLY**

**(2) 9 Tab Vertical Rib w/Mounting Pin
#212829**



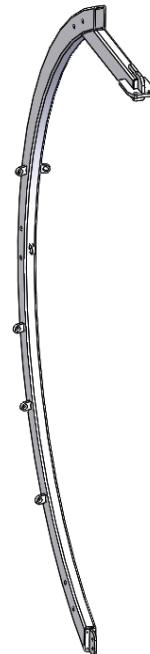
**(2) 9 Tab Vertical Rib w/o Mounting Pin
#212830**



**(2) w6 Tab Vertical Rib w/Mounting Pin
#212831**



**(2) 6 Tab Vertical Rib w/o Mounting Pin
#212832**



VERTICAL RIB ATTACHMENT



SAFETY NOTE
Choose a protective surfacing material that has a Critical Height Value of at least the height of the Highest Accessible Part/Fall Height of the adjacent equipment. (Ref. ASTM F1487.)

9 Tab Vertical Rib w/o Mounting Pin #212830

9 Tab Vertical Rib w/ Mounting Pin #212829

6 Tab Vertical Rib w/ Mounting Pin #212831

6 Tab Vertical Rib w/o Mounting Pin #212832

6 Tab Vertical Rib w/o Mounting Pin #212832

6 Tab Vertical Rib w/ Mounting Pin #212831

NOTE: 4 Tab bottom rib must attach to 9 tab vertical rib w/ mounting pin.

9 Tab Vertical Rib w/ Mounting Pin #212829

9 Tab Vertical Rib w/o Mounting Pin #212830

DETAIL VERTICAL RIB ATTACHMENT

Mounting Hub Assembly

(16) 1/2" x 2 1/4" Hex Cap Screws w/ 1/2" SAE Flat Washers

NOTE: Do not tighten fasteners until all pipes have been attached to ribs.

Assembly vertical ribs to top of mounting hub assembly first before attaching on the bottom.

(16) 1/2" Standard Hex Nuts w/Patch w/1/2" SAE Flat Washers

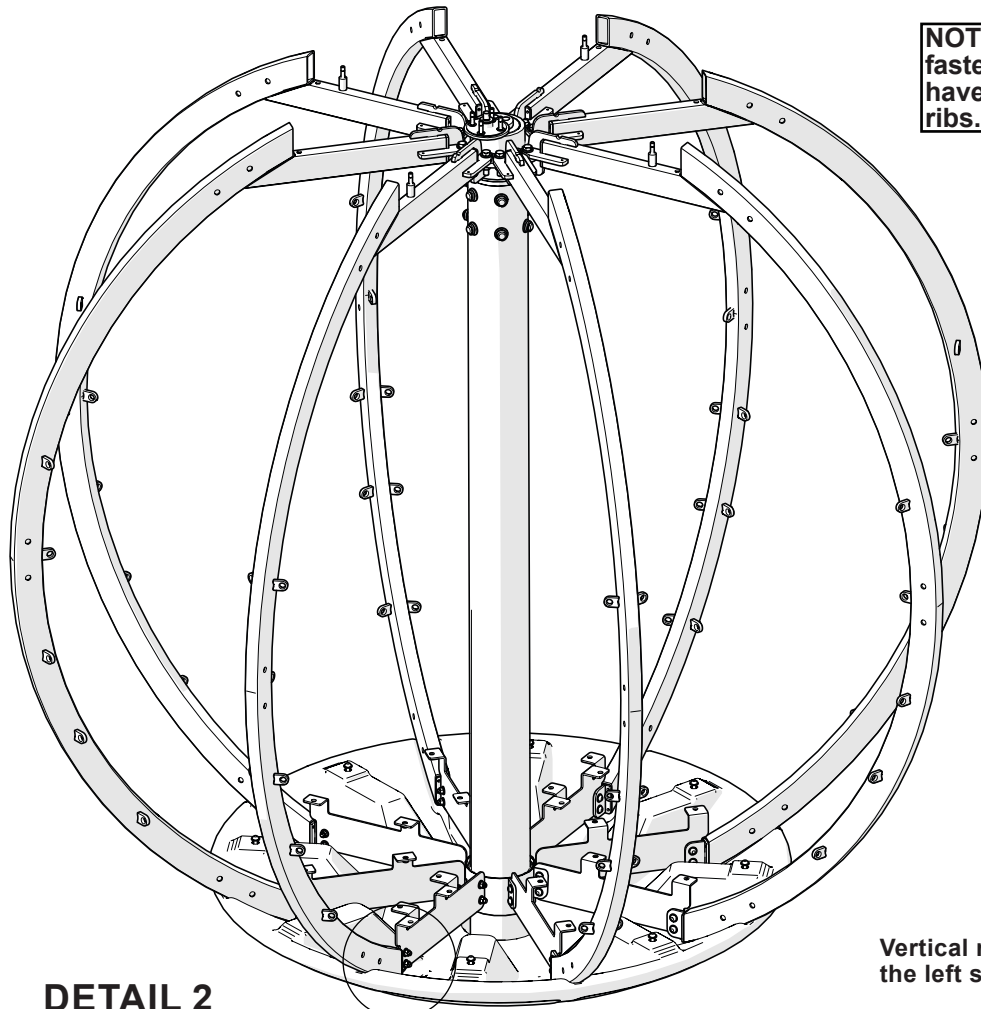
(8) Ribs

VERTICAL RIB ATTACHMENT



SAFETY NOTE
 Choose a protective surfacing material that has a Critical Height Value of at least the height of the Highest Accessible Part/Fall Height of the adjacent equipment. (Ref. ASTM F1487.)

NOTE: Do not tighten fasteners until all pipes have been attached to ribs.

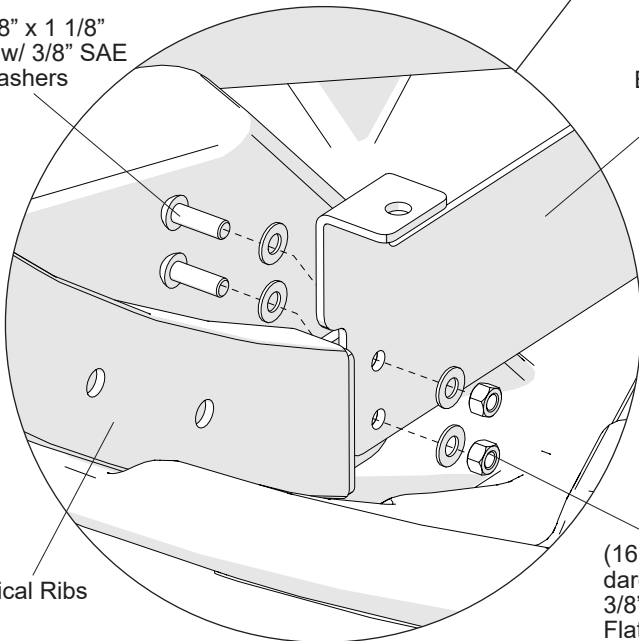


**DETAIL 2
 VERTICAL RIB ATTACHMENT**

Vertical ribs always placed on the left side of bottom ribs.

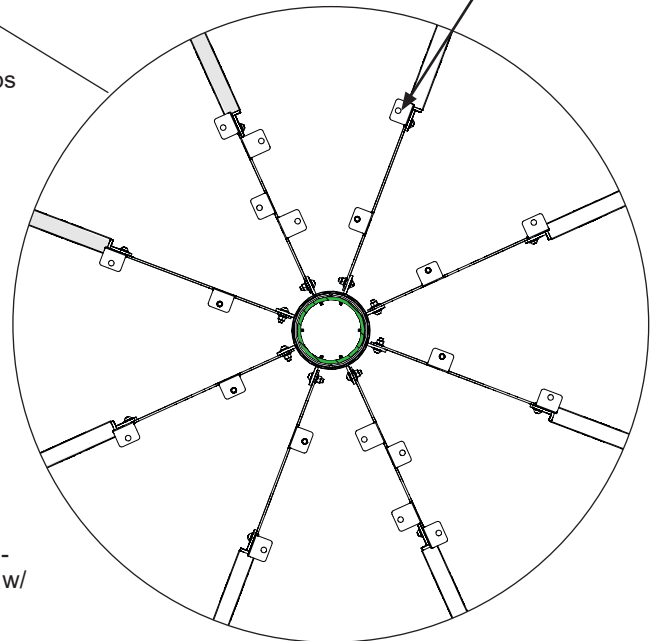
(16) 3/8" x 1 1/8" BHCS w/ 3/8" SAE Flat Washers

Bottom Ribs

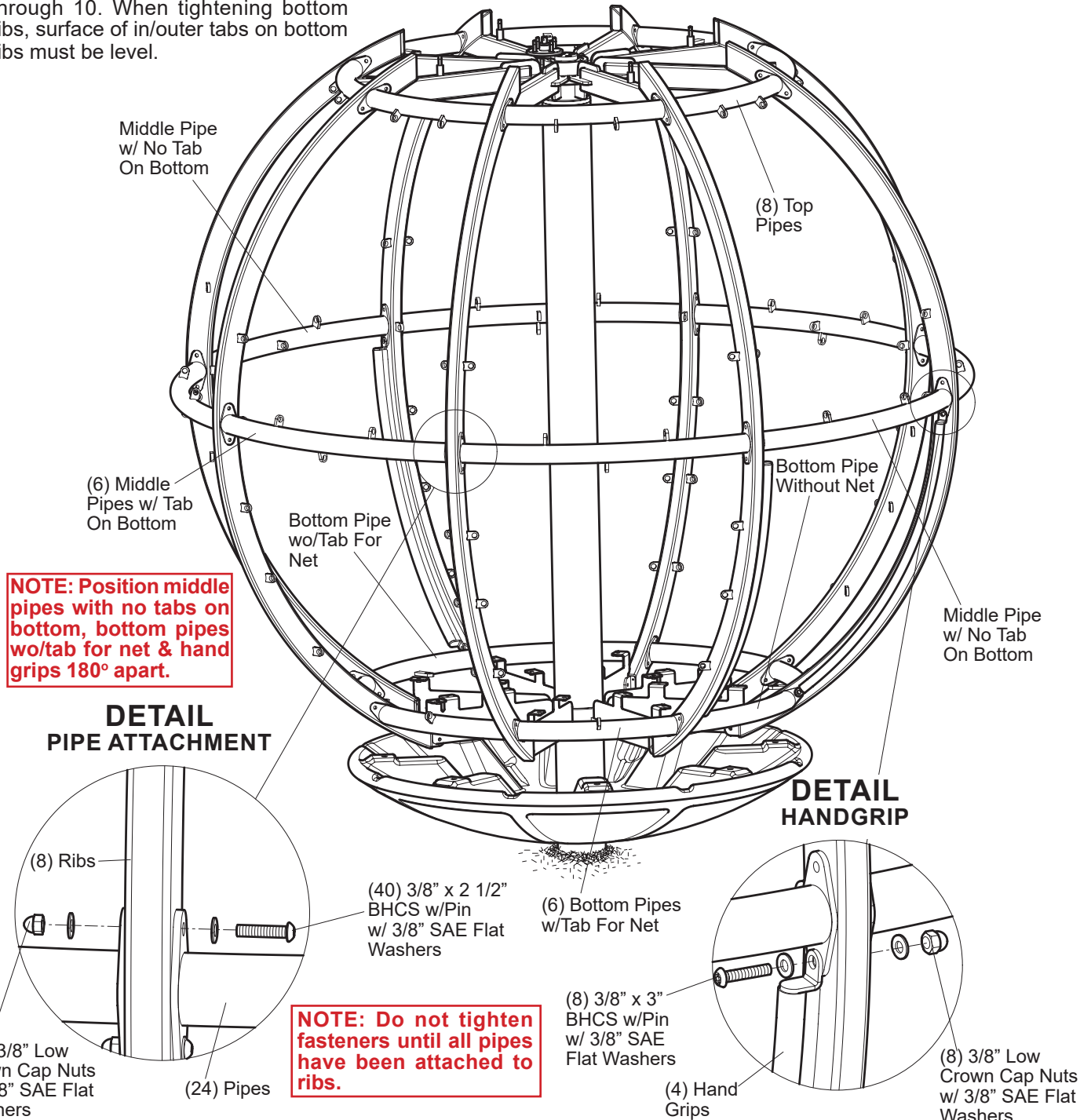


Vertical Ribs

(16) 3/8" Standard Hex Nut w/ 3/8" SAE Flat Washers

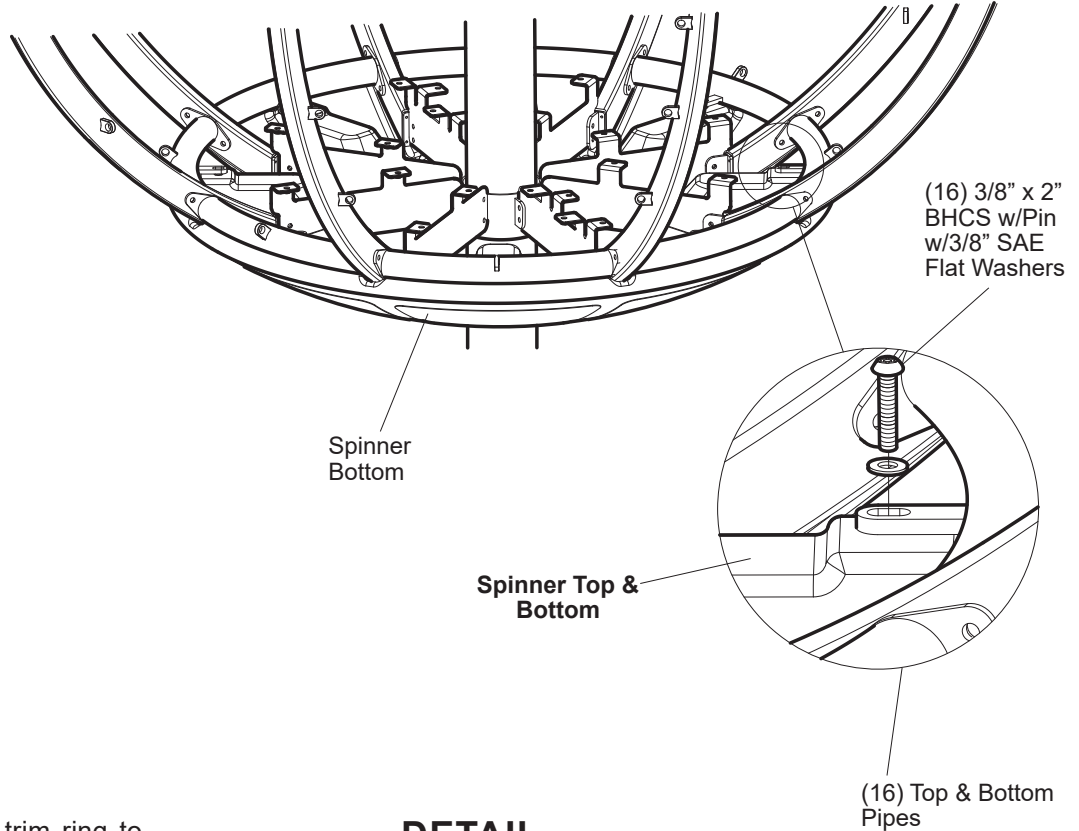


- 10) Attach top, middle and bottom pipes to ribs.
NOTE: Position middle pipes with no tabs and bottom pipes without net in between part #212831 and part #212832. Do not tighten fasteners until all pipes have been attached to ribs.
- 11) Tighten all fasteners from steps 6 through 10. When tightening bottom ribs, surface of in/outer tabs on bottom ribs must be level.



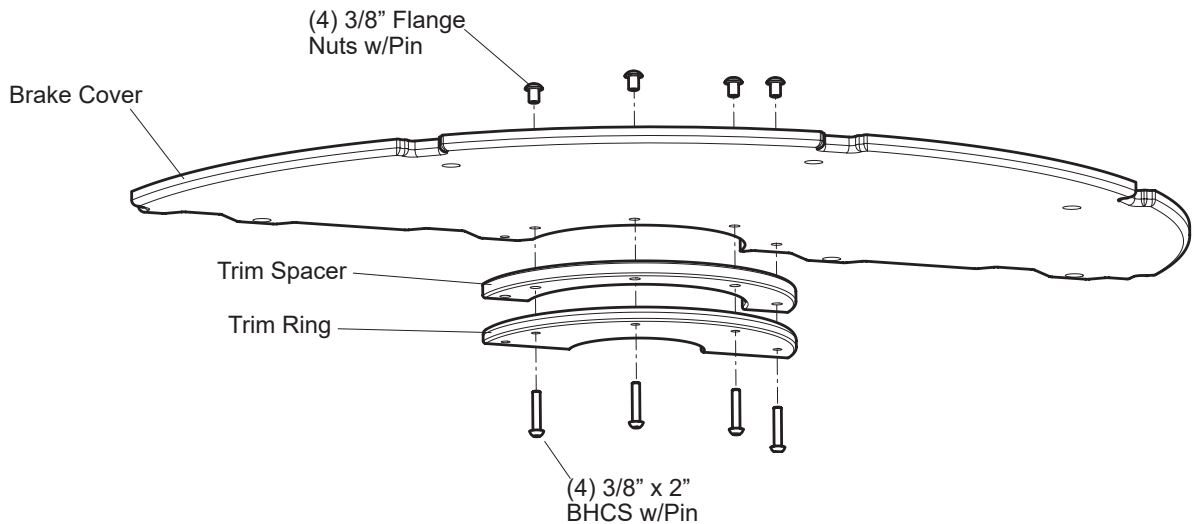
13) Attach spinner top to top pipes & spinner bottom to top bottom pipes.

**DETAIL
GLOBE SPINNER ATTACHMENT**

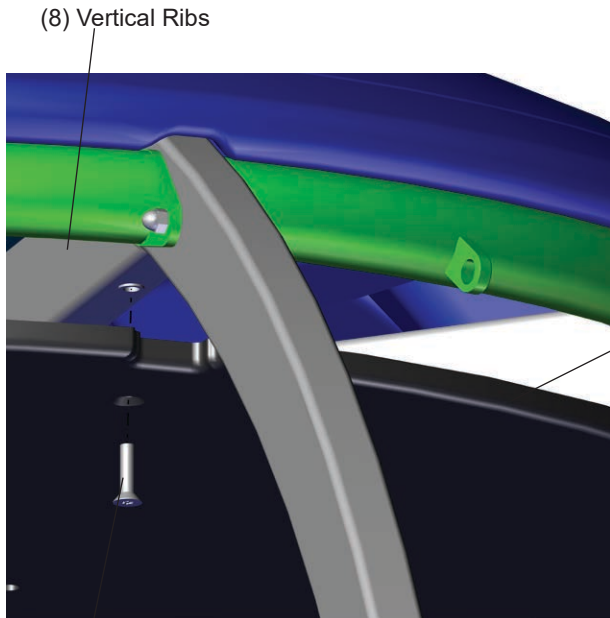


14) Attach trim spacer and trim ring to brake cover.

**DETAIL
BRAKE COVER ASSEMBLY
2-REQUIRED**

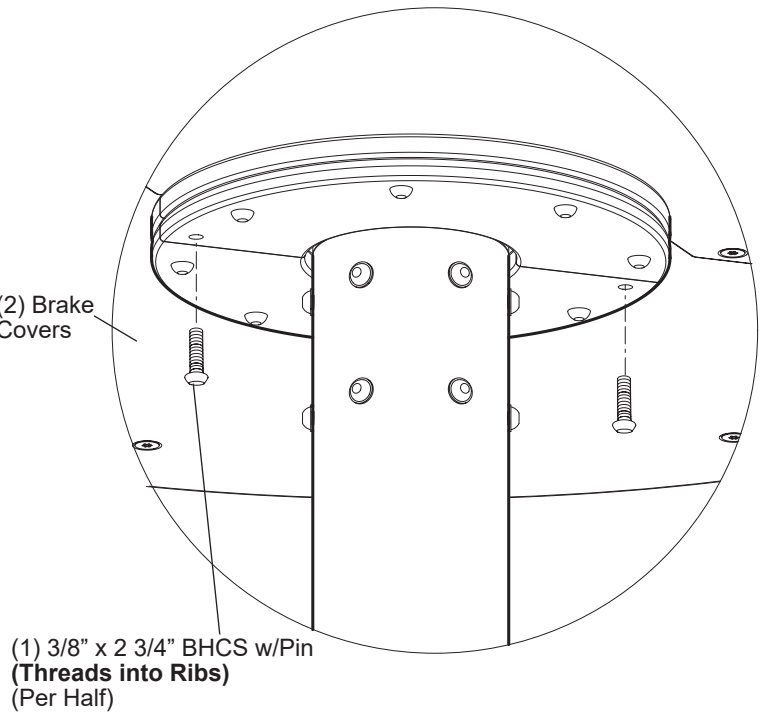


15) Attach brake covers to ribs.

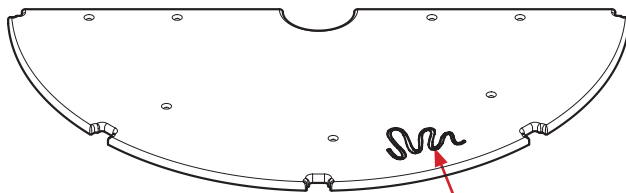


(12) 3/8" x 1 1/2" Flat Head Cap Screws

**DETAIL
BRAKE COVER ATTACHMENT**

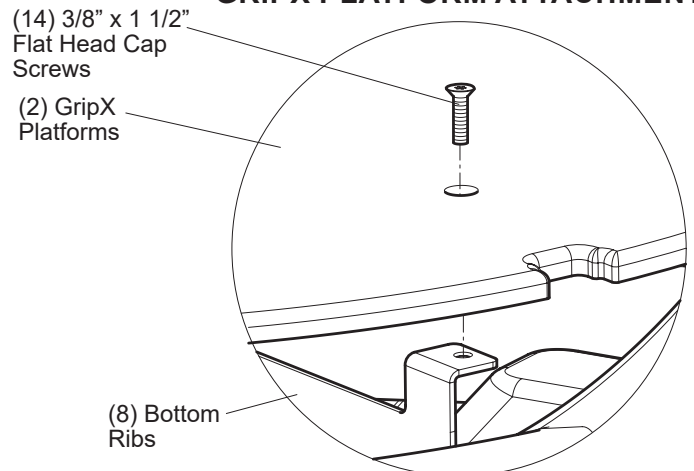


16) Attach GripX platforms to bottom ribs.

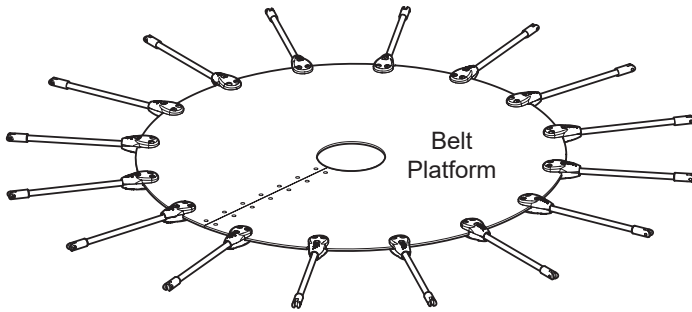


NOTE: Attach GripX platforms with Logos on top and facing middle pipes without tabs on bottom.

**DETAIL
GRIPX PLATFORM ATTACHMENT**



17) Pre-assemble belt cables to belt platform.

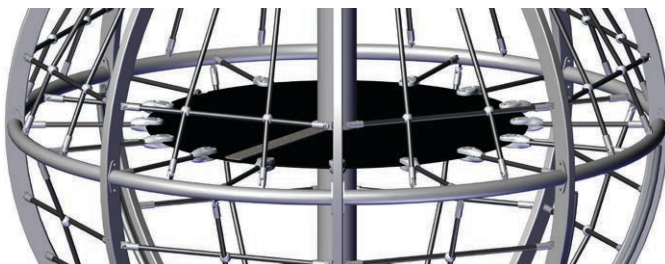


NOTE: Attach belt platform to ribs and middle pipes with textured side up.



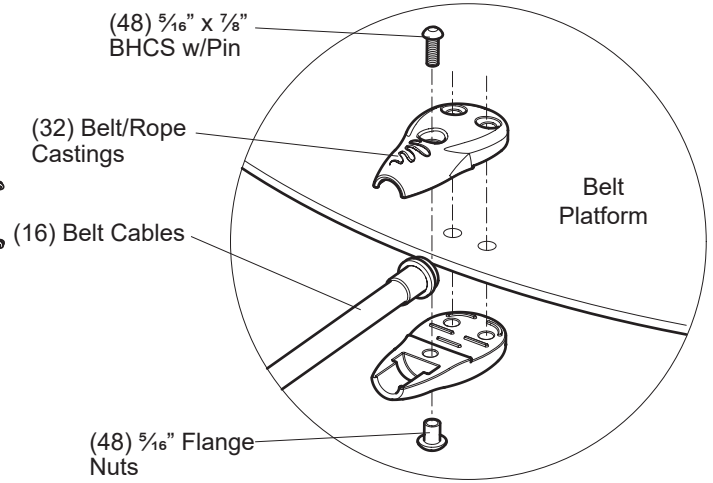
NOTE: Notched sections of platform should be in line with vertical ribs.

18) Wrap platform around center post. Attach belt plates to belt platform.

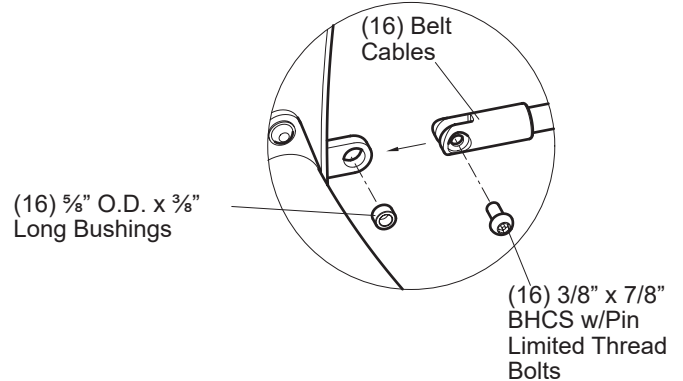


19) Attach belt cables to ribs and middle pipes. **NOTE: Notched sections of platform should be in line with vertical ribs.**

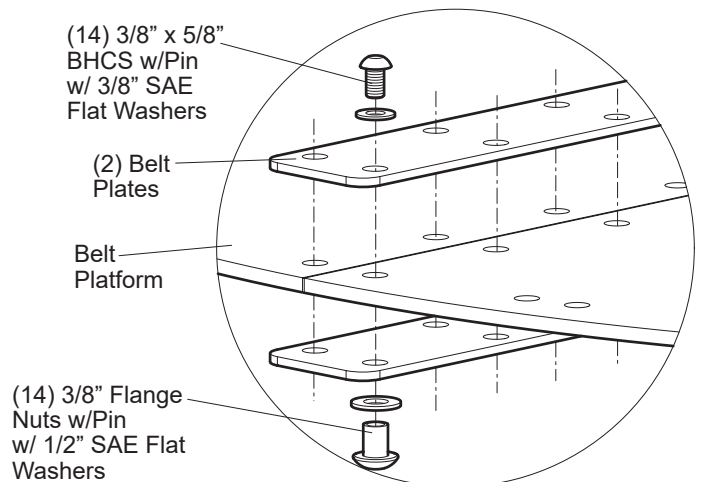
**DETAIL
BELT CABLE ATTACHMENT**



**DETAIL
BELT CABLE ATTACHMENT**



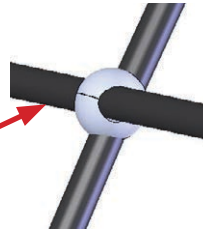
**DETAIL
BELT PLATE ATTACHMENT**



- 20) Attach nets to pipes & ribs.
- 21) Attach labels, as shown.
- 22) Install protective surfacing before users are allowed to play on the structure.

NOTE: Attach nets with horizontal ropes on the outside of the globe.

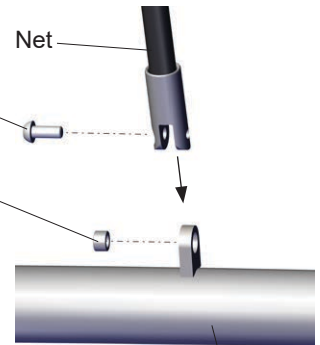
DETAIL



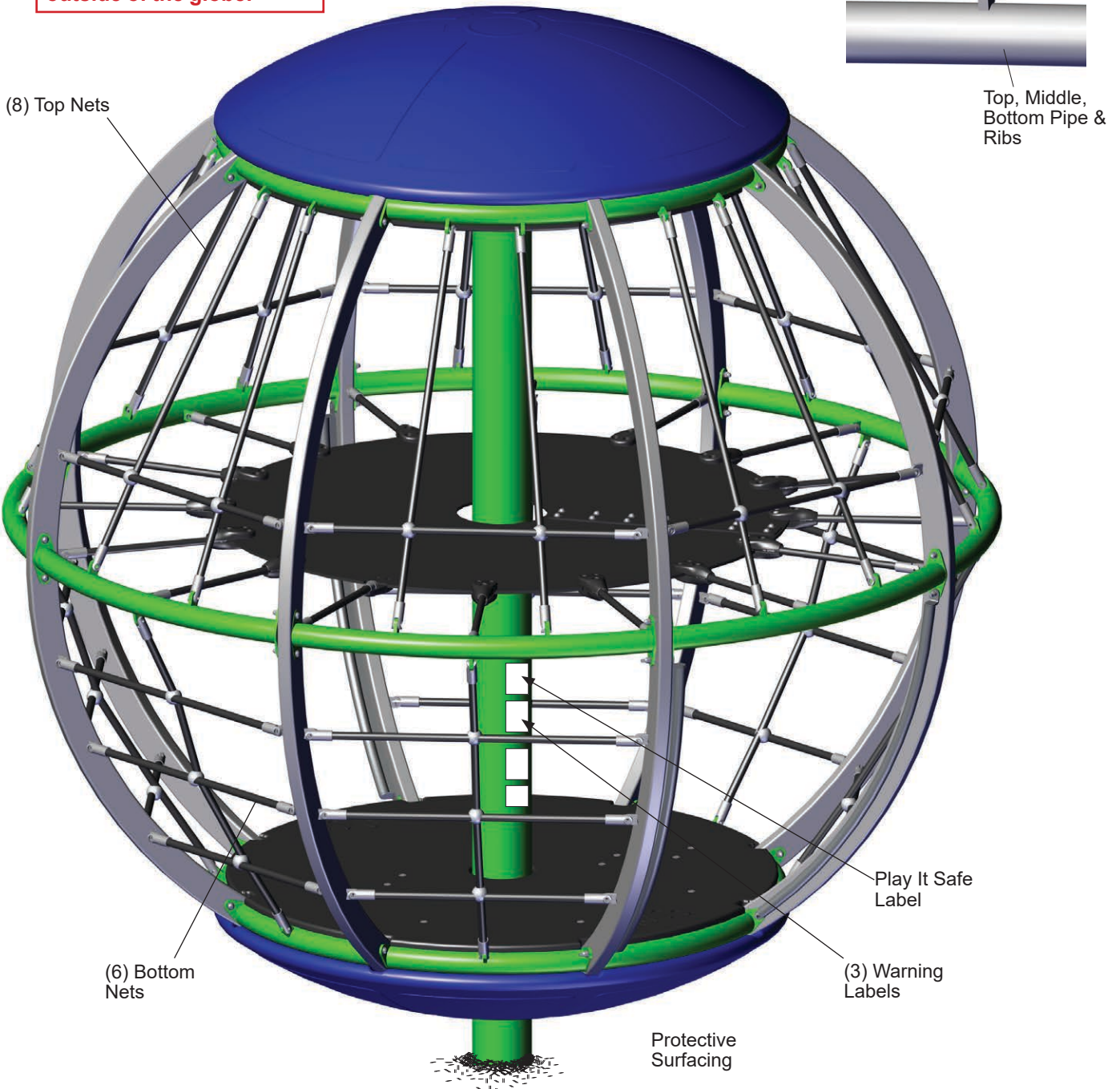
**DETAIL
NET ATTACHMENT**

(96) 3/8" x 7/8" BHCS w/Pin Limited Thread

(96) 5/8" O.D. x 3/8" Long Bushing



Top, Middle, Bottom Pipe & Ribs



Parts List

Part#	Description	Qty.
222306	Hub Clamp, SST.....	1
206285	Bottom Net, Specify Color.....	6
206366	Center Post, Specify Color.....	1
228426	58" O.D. Belt Platform, Black.....	1
206379	GripX Platform, Black.....	2
212200	6" UHMW Base Bushing.....	2
212686	Center Belt Cable, Specify Color.....	16
212829	9 Tab Vertical Rib w/Mounting Pin, Specify Color.....	2
212830	9 Tab Vertical Rib w/o Mounting Pin, Specify Color.....	2
212831	6 Tab Vertical Rib w/Mounting Pin, Specify Color.....	2
212832	6 Tab Vertical Rib w/o Mounting Pin, Specify Color.....	2
212856	Middle Pipe wo/Tab On Bottom, Specify Color.....	2
212857	Belt Plate, Black.....	2
212864	Middle Pipe w/Tab On Bottom, Specify Color.....	6
212865	Bottom Pipe w/Tab For Net, Specify Color.....	6
212866	Bottom Pipe wo/Tab For Net, Specify Color.....	2
215474	Spinner Top, Specify Color.....	1
215887	Brake Cover, Black.....	2
217231	Mounting Hub Assembly, ZP.....	1
217907	Hand Grip, Gray.....	4
218444	Trim Spacer, Black.....	2
218445	Trim Ring, Black.....	2
218572	Spinner Bottom, Specify Color.....	1
219114	Top Net, Specify Color.....	8
219142	Top Pipe, Specify Color.....	8
215884	70 Series Shock.....	4
248520	Bottom Mount.....	1
219356	2 Tab Bottom Rib, Black.....	6
219359	4 Tab Bottom Rib, Black.....	2
220971	Belt Rope Casting, Black.....	32
222399	3/8" Diameter x 18" Long Rebar.....	2
254468	Global Motion Bushing Belt.....	1
182693	Labels 5-12 Hardware Package.....	1
115176	Hard Surface Warning ASTM Label.....	1
156847	Play Safe Label 5-12 YRS.....	1
182212	Entanglement Warning Label.....	1
182213	Hot Surface Warning Label.....	1
261539	Global Motion Hardware Package #1.....	1
100173	3/8" x 2" BHCS w/Pin, SST.....	24
100174	3/8" x 2 1/2" BHCS w/Pin, SST.....	40
100175	3/8" x 2 3/4" BHCS w/Pin, SST.....	2
100176	3/8" x 3" BHCS w/Pin, SST.....	8
100195	3/8" x 5/8" BHCS w/Pin, SST.....	14
100198	3/8" x 1 1/8" BHCS w/Pin, SST.....	32
151421	3/8" x 1 1/2" Flat Head Cap Screw, SST.....	26
100327	3/8" Standard Hex Nut, SST.....	32
100349	3/8" Low Crown Cap Nut, SST.....	48
100353	3/8" Flange Nut w/Pin, SST.....	22
100365	3/8" SAE Flat Washer, SST.....	190
100606	3/16" x 1/2" Drive Rivet, Aluminum.....	12
136931	3/8" Nylok Hex Nut, SST.....	8
175006	Flg Nut 6LP 5/16", SST.....	48
132626	BHCS 6LP 5/16" x 7/8", SST.....	48
109680	Cable Tie.....	1
222798	Global Motion Hardware Package #2.....	1
100290	3/8" x 7/8" BHCS w/Pin Limited Thread, SST.....	112
113550	1/2" SAE Flat Washer, SST.....	46
127179	5/8" O.D. x 3/8" Long Bushing, SST.....	112
131862	1/2" x 2 1/4" Hex Cap, SST.....	16
129692	1/2" Standard Hex Nut, SST.....	16
100201	5/8" x 1 1/2" BHCS w/Pin, SST.....	12
129500	5/8" SAE Flat Washer, SST.....	12
175652	5/8" Spring Lock Washer, SST.....	12

Specifications

Spinner Top/Bottom:	Rotationally molded from U.V. stabilized linear low density polyethylene, color specified.
Shock:	70 Series.
Hub Clamp:	12 GA. (.109")(2,76 mm) Thick stainless steel.
Middle & Bottom Pipe:	Weldment comprised of 2.375" (60,32 mm) O.D. RS20 (.095"- .105")(2,41 mm-2,66 mm) galvanized steel tube, 1/4" (6,35 mm) thick HRPO steel plate and 3/8" (9,52 mm) thick stainless steel tab. Finish: ProShield, color specified.
Base Bushing:	Oil-Filled UHMW PE.
Center Post:	6.000" (152 mm) O.D. x (.250")(6,35 mm) wall HR Black D.O.M. Steel Tube. Finish: ProShield®, color specified.
Rope Casting:	Cast Aluminum. Finish: ProShield®, black in color.
Rib:	Weldment comprised of 1.5" (38,1 mm) x 3.0" (76,2 mm) x .180" (4,57 mm) wall HRPO steel tube, 3/8" (9,52 mm) thick stainless steel tab, 3/8" (9,52 mm) O.D. stainless steel pin, 3/8" (9,52 mm) thick HRPO steel plate and 1/4" (6,35 mm) thick HRPO steel plate. Finish: ProShield®, color specified.
Belt and Bushing	
Platform:	Made from .315" (8,00 mm) thick mini rough top 3-ply rubber belting with polyester fabric plys, 58" (1473 mm) diameter, black in color.
GripX Platform:	3/4" (19,05 mm) Thick recycled Permalene®, black in color.
Belt Plate:	7GA. (.179")(4,54 mm) Thick HRPO steel plate. Finish: ProShield, black in color.
Net/Cable:	Made of tightly woven polyester-wrapped, six-stranded galvanized-steel cable with a polypropylene core, red or black in color. (Cable Connectors) 6063-T6 aluminum.
Bottom Rib:	7GA. (.179")(4,54 mm) Thick HRPO steel plate. Finish: ProShield, black in color.
Bottom Mount:	Weldment comprised of 7.000" (177 mm) O.D. x .188" (4,77 mm) wall stainless steel tube and 1/4" (6,35 mm) thick stainless steel plate.
Trim Spacer:	Recycled Permalene, black in color.
Brake Cover:	Recycled Permalene, black in color.
Hand Grip:	Weldment comprised of 1.125" (28,57 mm) O.D. x 11 GA. (.120")(3,05 mm) wall steel tube and 7 GA. (.179")(4,54 mm) thick HRPO steel sheet. Finish: TenderTuff™ coated, gray in color.
Mounting Hub Assembly:	Comprised of 1/2" (12,7 mm) thick stainless steel plate, 11 Ga. (.120")(3,05 mm) stainless steel sheet, steel bearing shaft, bronze bearings, oilite bearings and stainless steel fasteners.
Fasteners:	Primary fasteners shall be socketed and pinned tamperproof in design, stainless steel (SST) per ASTM F 879 unless otherwise indicated (see specific product installation/specifications).
Installation Time:	Approx. 40 labor hours
Area Required:	26'-5" (8,05 m) Diameter
Concrete Req.:	Approx. 2.07 cubic yards
Weight:	1,555 lbs.
Fall Height:	105" (2,66 m)