

SUBMITTAL



Submittal number	21.0	Date	08/10/2018
Project	TRAILS AT CROWFOOT Filing 1&9	6954 N. CROWFOOT VALLEY RD. PARKER , CO 80138	
Project number	2018-10		
Spec section			
Subsection		Status	Open
Current action	Submitted	Ball in court	
Topic	Open Rail Cross Buck Fence 4'		

Submitter	Chas Irish
Reviewer	
Cc	

Date submitted	08/10/2018	Submission due date	08/10/2018
Released for review	08/10/2018	Review due date	8/15/2018
Date returned		Required on site date	
Date closed			

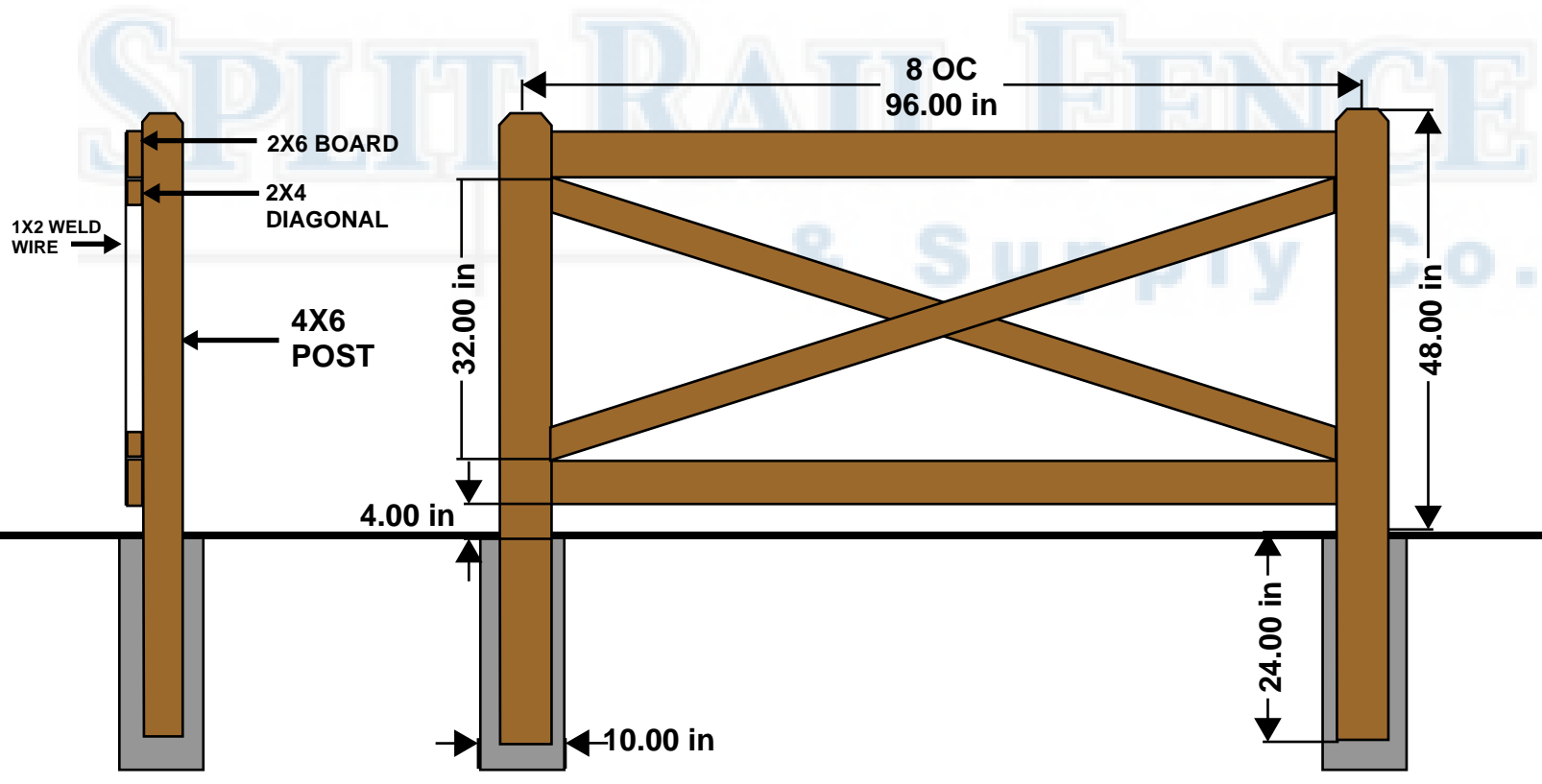
Notes

PROJECT NAME:

DESCRIPTION:

KEY NOTES

EXHIBIT
"A"



SPLIT RAIL FENCE COMPANY & SUPPLY
 LITTLETON, COLORADO 80125
 303-791-1997

NOTE: GRADE MAY CHANGE DUE TO GRADE VARIANCE

SCALE: 4.5535= 8'

ALLOW FOR 2" CLEARANCE ON NON-LANDSCAPED GROUND

LINE OF FENCE 4' CROSSBUCK 2X6 RAILS 2X4 DIAGONALS WITH WELD WIRE 4X6 POSTS

Drawn: Ben Rabinoff
 File: 5/8/2018

PAGE
 1 OF 1