

# SUBMITTAL



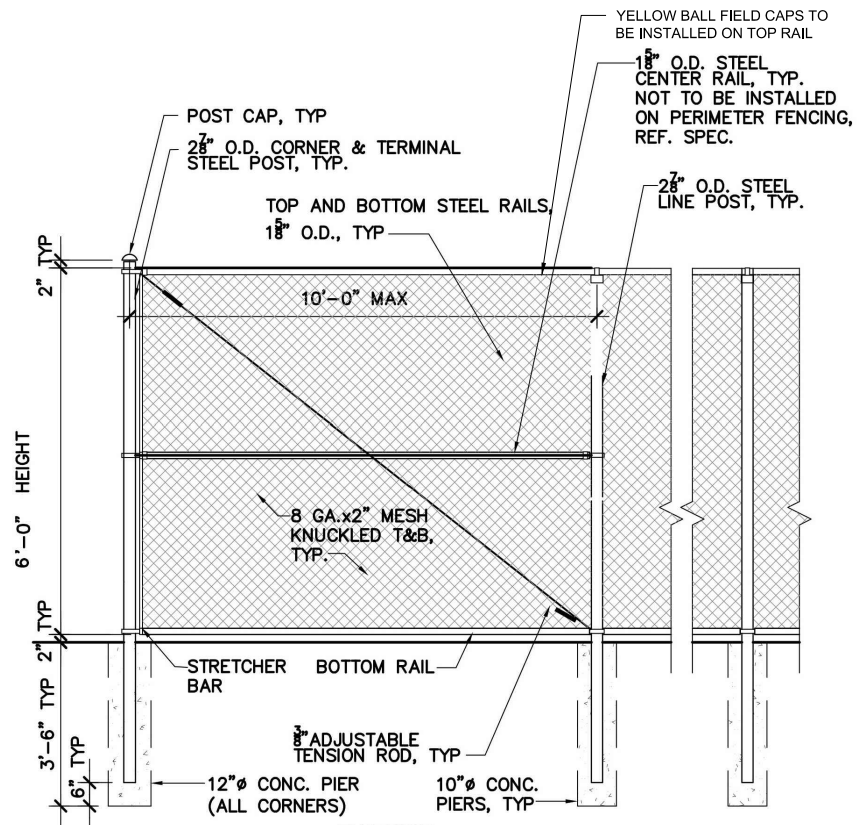
<b>Submittal number</b>	24.0	<b>Date</b>	08/10/2018
<b>Project</b>	TRAILS AT CROWFOOT Filing 1&9	6954 N. CROWFOOT VALLEY RD. PARKER , CO 80138	
<b>Project number</b>	2018-10		
<b>Spec section</b>			
<b>Subsection</b>		<b>Status</b>	Open
<b>Current action</b>	Submitted	<b>Ball in court</b>	
<b>Topic</b>	Chain Link Fence		

<b>Submitter</b>	Chas Irish
<b>Reviewer</b>	
<b>Cc</b>	

<b>Date submitted</b>	08/10/2018	<b>Submission due date</b>	08/10/2018
<b>Released for review</b>	08/10/2018	<b>Review due date</b>	8/15/2018
<b>Date returned</b>		<b>Required on site date</b>	
<b>Date closed</b>			

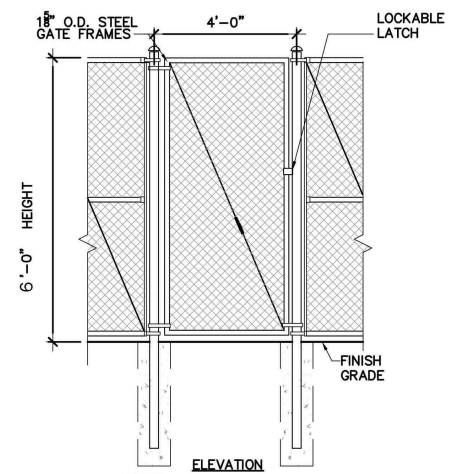
<b>Notes</b>

EXHIBIT "A"



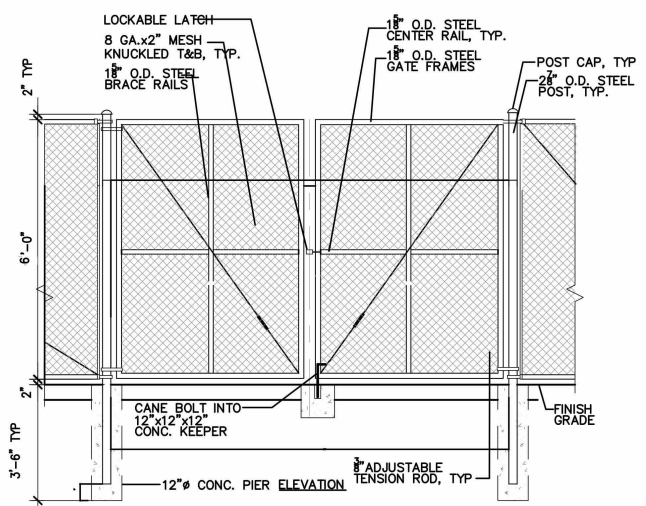
NOTES:  
 1. 250' OF YELLOW POLY CAP FENCE GUARD ON TOP RAIL (+ YELLOW FENCE TIES) BY BSN SPORTS OR APPROVED EQUIVALENT  
 2. FENCING TO BE A NON-PVC COATED FENCE

1 CHAINLINK FENCE  
 NOT TO SCALE

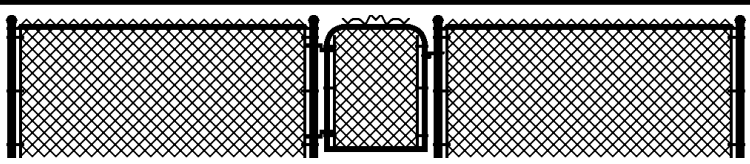


NOTES:  
 1. LOCK PROVIDED BY OWNER.

2 PEDESTRIAN GATE  
 NOT TO SCALE



3 12' SERVICE GATE  
 NOT TO SCALE



LINE OF FENCE

SPLIT RAIL FENCE COMPANY & SUPPLY  
 LITTLETON, COLORADO 80125  
 303-791-1997

Drawn:  
 File: