

# GRADING EROSION AND SEDIMENT CONTROL NOTES

- IT SHALL BE THE CONTRACTORS RESPONSIBILITY TO OBTAIN PERMITS FROM THE LOCAL AND STATE AGENCIES PRIOR TO THE START OF CONSTRUCTION
- BMPs SHALL BE INSTALLED IN ACCORDANCE WITH THE PLANS HEREIN AND THE LOCAL AGENCIES STANDARDS DETAILS. IF A DETAIL IS NOT PROVIDED FOR A PLANNED OR NEEDED BMP REFERENCE LOCAL AGENCY STANDARDS. IF THE DETAIL IS NOT AVAILABLE REFERENCE URBAN DRAINAGE AND FLOOD CONTROL DISTRICTS STANDARD DETAILS.
- THESE PLANS DO NOT REFLECT ALL BMPs THAT MAY BE NEEDED FOR SITE EROSION AND SEDIMENT CONTROL DUE TO FIELD CHANGES NOT ANTICIPATED IN THE DESIGN OF THE PLAN. CONTRACTOR SHALL INSTALL ADDITIONAL BMPs AS NEEDED TO MAINTAIN SITE STABILIZATION AND MITIGATE ANY SEDIMENT TRANSPORT OFF SITE OR TO THE ADJACENT STORM SYSTEM OR ADJACENT PROPERTY.
- ALTERNATE BMPs MAY BE USED FROM THOSE SHOWN HEREON. CONTACT ENGINEER AND LOCAL AGENCY INSPECTOR WITH PROPOSED CHANGES.
- GUIDELINES WITH THE LOCAL AGENCY PERMIT AND STANDARDS AND SPECIFICATIONS SHALL BE FOLLOW AND MAINTAINED.
- AN APPROVED COPY OF THE EROSION AND SEDIMENT CONTROL PLAN, STORMWATER MANAGEMENT PLAN SHALL BE KEPT ON SITE AT ALL TIMES.
- LOCATION OF BMPs MAY VARY FROM SHOWN HEREON DUE TO PROGRESS AND PHASING OF CONSTRUCTION ACTIVITIES.
- SITE BMPs SHALL BE MAINTAINED AND REPAIRED IF DAMAGED IMMEDIATELY. SITE INSPECTIONS SHALL OCCUR EVERY 7-DAYS, AND IMMEDIATELY OF ANY PRECIPITATION EVENT.
- IS SITE DEMO MATERIAL IS STOCKPILED PROVIDE PERIMETER CONTROLS SUCH AS SF, SCL AND CF. LOCATE PILE AWAY FROM NATURALLY FORMED DRAINAGE PATHS.

## ENGINEER'S STATEMENT

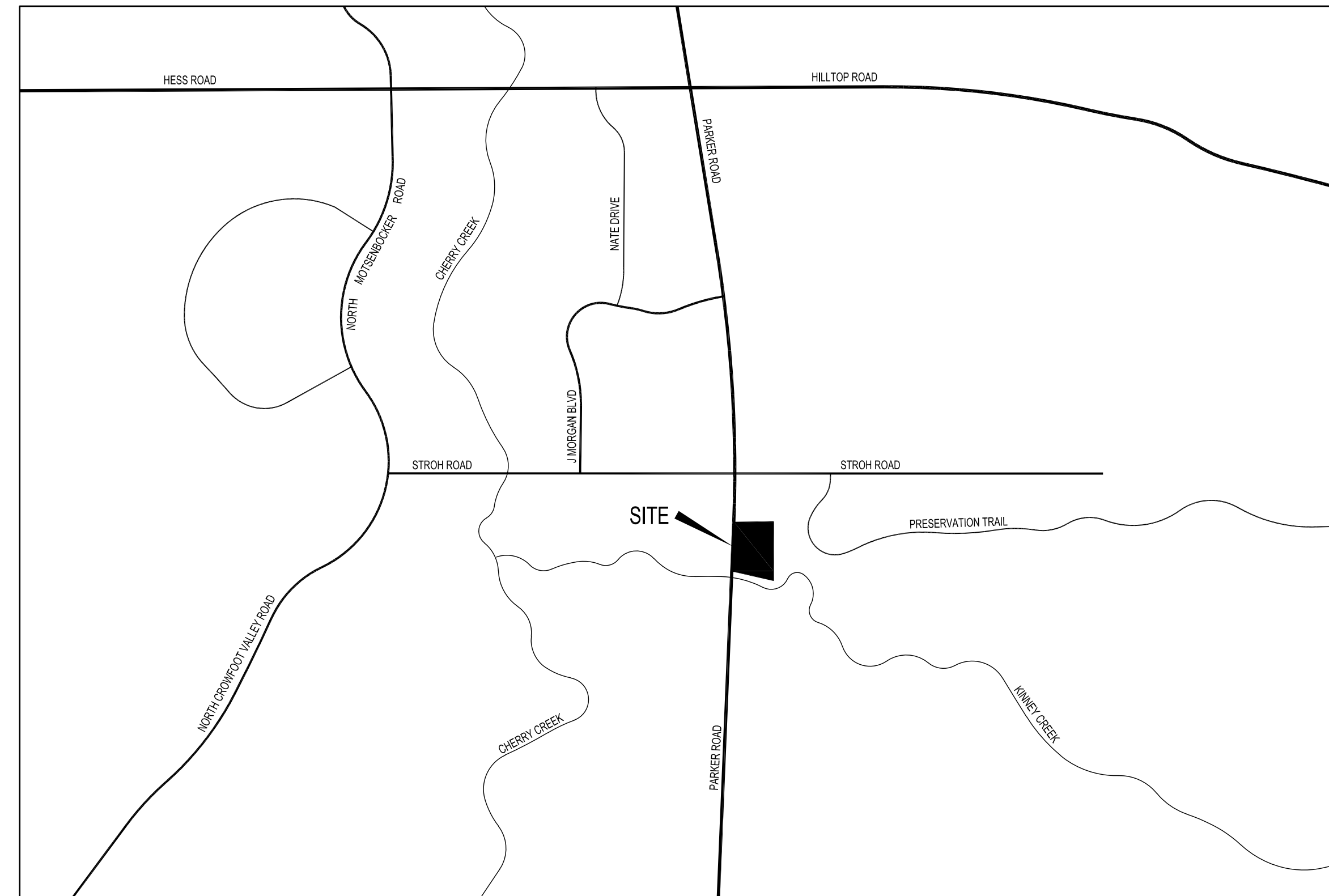
THE GRADING, EROSION AND SEDIMENT CONTROL PLAN INCLUDED HEREIN HAS BEEN PLACED IN THE DOUGLAS COUNTY FILE FOR THIS PROJECT AND APPEARS TO FULFILL APPLICABLE DOUGLAS COUNTY GRADING, EROSION AND SEDIMENT CONTROL CRITERIA. ADDITIONAL GRADING, EROSION AND SEDIMENT CONTROL MEASURES MAY BE REQUIRED OF THE OWNER OR HIS OR HER AGENTS DUE TO UNFORESEEN EROSION PROBLEMS OR IF THE SUBMITTED PLAN DOES NOT FUNCTION AS INTENDED. THE REQUIREMENTS OF THIS PLAN SHALL RUN WITH THE LAND AND SHALL BE THE OBLIGATION OF THE LANDOWNER, OR HIS OR HER DESIGNATED REPRESENTATIVE, UNTIL SUCH TIME IS THE PLAN IS PROPERLY COMPLETED, MODIFIED OR VOIDED.

THE GRADING, EROSION AND SEDIMENT CONTROL PLAN INCLUDED HEREIN HAS BEEN PREPARED UNDER MY DIRECT SUPERVISION IN ACCORDANCE WITH THE REQUIREMENTS OF THE GRADING, EROSION, AND SEDIMENT CONTROL (GESC) MANUAL OF DOUGLAS COUNTY.

THE CONSTRUCTION PLANS INCLUDED HEREIN WERE PREPARED UNDER MY DIRECT SUPERVISION IN ACCORDANCE WITH THE REQUIREMENTS OF THE ROADWAY DESIGN AND CONSTRUCTION STANDARDS AND THE STORM DRAINAGE DESIGN AND TECHNICAL CRITERIA OF DOUGLAS COUNTY.

# GRADING EROSION AND SEDIMENT CONTROL PLANS PARKER POINTE

LOTS 1 THRU 15 AND TRACTS A AND B, PARKER POINTE FILING NO. 1  
A PART OF SECTION 3, TOWNSHIP 7 SOUTH, RANGE 66 WEST OF THE SIXTH PRINCIPAL MERIDIAN  
TOWN OF PARKER, COUNTY OF DOUGLAS, STATE OF COLORADO



### VICINITY MAP

SCALE: 1" = 500'



## LEGAL DESCRIPTION

A TRACT OF LAND LOCATED IN SECTION 3, TOWNSHIP 7 SOUTH, RANGE 66 WEST OF THE 6TH P.M., DOUGLAS COUNTY, COLORADO, DESCRIBED AS FOLLOWS: BEGINNING AT THE NORTHEAST CORNER OF SAID SECTION 3; THENCE RUNNING WEST, 486 FEET; THENCE SOUTH 2°20' WEST, 1330 FEET; THENCE SOUTH 78°30' EAST, 535 FEET; THENCE NORTH, 1444 FEET TO THE POINT OF BEGINNING, EXCEPT THAT PORTION THEREOF LYING WITHIN EAST STROH ROAD AND EXCEPT THAT PORTION THEREOF TAKEN BY THE DEPARTMENT OF TRANSPORTATION, STATE OF COLORADO BY RULE AND ORDER, CASE NO. 90CV484 RECORDED MAY 11, 1993 IN BOOK 1124 AT PAGE 853, COUNTY OF DOUGLAS, STATE OF COLORADO.

## BENCHMARK

BENCHMARK: DOUGLAS COUNTY SURVEY CONTROL MONUMENT TT15A - 3" DIAMETER DOUGLAS COUNTY GIS ALUMINUM CAP AT THE NE CORNER OF STROH ROAD AND SOUTH PARKER ROAD (US HIGHWAY 83)  
ELEVATION: 5970.79 FEET (NAVD 1988 DATUM)

## BASIS OF BEARING

BEARINGS ARE BASED ON THE NORTH LINE OF THE NE 1/4 OF SECTION 3, TOWNSHIP 7 SOUTH, RANGE 66 WEST, OF THE 6TH PRINCIPAL MERIDIAN BEARING S89°59'29"W AND BOUNDED BY THE MONUMENTS SHOWN HEREON.

## DOUGLAS COUNTY GESC PLAN SET

C8.00	COVER SHEET
C8.10	INITIAL GESC PLAN
C8.11	INTERIM / FINAL GESC PLAN
SHEET 1 OF 3	DOUGLAS COUNTY GESC DETAILS
SHEET 2 OF 3	DOUGLAS COUNTY GESC DETAILS
SHEET 3 OF 3	DOUGLAS COUNTY GESC DETAILS

PERCEPTION DESIGN GROUP      DATE      P.E. NUMBER

#### TOWN OF PARKER

PUBLIC WORKS  
20120 E. MAIN STREET  
PARKER, CO 80138  
(303) 841-9546

#### GAS PROVIDER

XCEL ENERGY  
550 15TH STREET, SUITE 700  
DENVER, CO 80202  
1-800-628-2121

#### WATER/SEWER PROVIDER

PARKER WATER AND SANITATION DISTRICT  
18100 WOODMAN DR, PARKER, CO 80134  
PARKER, CO 80134  
(303) 841-4627  
DRAYTON SANDERSON

#### ELECTRIC PROVIDER

INTERMOUNTAIN RURAL ELECTRIC ASSOCIATION  
5486 NORTH U.S. HIGHWAY 85  
SEDALIA, CO 80135  
(303) 688-3100

#### FIRE PROTECTION

SOUTH METRO FIRE AND RESCUE  
9195 EAST MINERAL AVENUE  
CENTENNIAL, CO 80112  
(720) 989-2244  
CONTACT: RANDY CAPRA

#### CIVIL ENGINEER

PERCEPTION DESIGN GROUP, INC.  
6901 S. PIERCE ST., SUITE #315  
LITTLETON, CO 80128  
(303) 232-9088  
CONTACT: JERRY DAVIDSON

#### DEVELOPER

PARKER & STROH, LLC  
975 LINCOLN STREET, SUITE 204  
DENVER, CO 80203  
(303) 699-3368  
CONTACT: DAN YACOVETTA

#### ARCHITECT

IRELAND DEAN  
425 WILCOX ST, STE 120  
CASTLE ROCK, CO 80104  
(720) 878-6534  
CONTACT: SHANNIN ALBERS

#### SURVEYOR

ENGINEERING SERVICE COMPANY  
1300 SOUTH POTOMAC STREET, SUITE 126  
AURORA, CO 80012  
(303) 337-1393  
CONTACT: CHIP BECKSTROM

CALL UTILITY NOTIFICATION  
CENTER OF COLORADO  
1-800-922-1987

CALL 2-BUSINESS DAYS IN ADVANCE  
BEFORE YOU DIG, GRADE, OR EXCAVATE  
FOR THE MARKING OF UNDERGROUND  
MEMBER UTILITIES.

THE TYPE, SIZE, LOCATION, AND NUMBER OF ALL KNOWN UNDERGROUND UTILITIES ARE APPROXIMATE WHEN SHOWN ON THE DRAWINGS. IT SHALL BE THE RESPONSIBILITY OF THE CONTRACTOR TO VERIFY THE EXISTENCE AND LOCATION OF ALL UNDERGROUND UTILITIES ON THE SITE, AND OFFSITE IN WORK AREAS. LOCATION OF EXISTING UTILITIES SHALL BE VERIFIED BY CONTRACTOR PRIOR TO DATE OF CONSTRUCTION. FOR INFORMATION CONTACT: UTILITY NOTIFICATION CENTER OF COLORADO (UNCC) - 1-800-922-1987. IT IS THE CONTRACTOR'S RESPONSIBILITY TO FIELD VERIFY SIZE AND HORIZONTAL AND VERTICAL LOCATIONS OF EXISTING FACILITIES PRIOR TO CONSTRUCTION AND NOTIFY THE ENGINEER OF ANY DISCREPANCIES.

THE CONTRACTOR SHALL BE RESPONSIBLE FOR ANY DAMAGE TO EXISTING IMPROVEMENTS AND UTILITIES AND SHALL REPAIR ANY DAMAGE AT HIS EXPENSE.

ASSISTANT DIRECTOR OF DEVELOPMENT	
DATE	_____
THESE CONSTRUCTION PLANS HAVE BEEN REVIEWED BY DOUGLAS COUNTY FOR GRADING AND EROSION AND SEDIMENTATION CONTROL IMPROVEMENTS ONLY	
ENGINEERING ACCEPTANCE BLOCK	

DOUGLAS COUNTY GESC COVER SHEET

PARKER POINTE  
LOTS 1 THRU 15 AND TRACTS A AND B, PARKER POINTE FILING NO. 1  
SOUTHEAST CORNER PARKER ROAD AND STROH ROAD  
PARKER, COLORADO

design by: JWD  
approved by: JWD  
project no.: 2015-015

date: 10/01/17

SHEET

C8.00

PREPARED UNDER THE DIRECT SUPERVISION OF JERRY W. DAVIDSON, P.E. COLORADO REG # 30226 FOR AND ON BEHALF OF PERCEPTION DESIGN GROUP, INC.

NO.	DATE	DESCRIPTION	REVISIONS
11/01/18	SIXTH SUBMITTAL		
08/31/18	FOURTH SUBMITTAL		
05/25/18	THIRD SUBMITTAL		
03/19/18	PWSO SUBMITTAL		
02/28/18	SECOND SUBMITTAL		
10/24/17	INITIAL SUBMITTAL		

REVISIONS

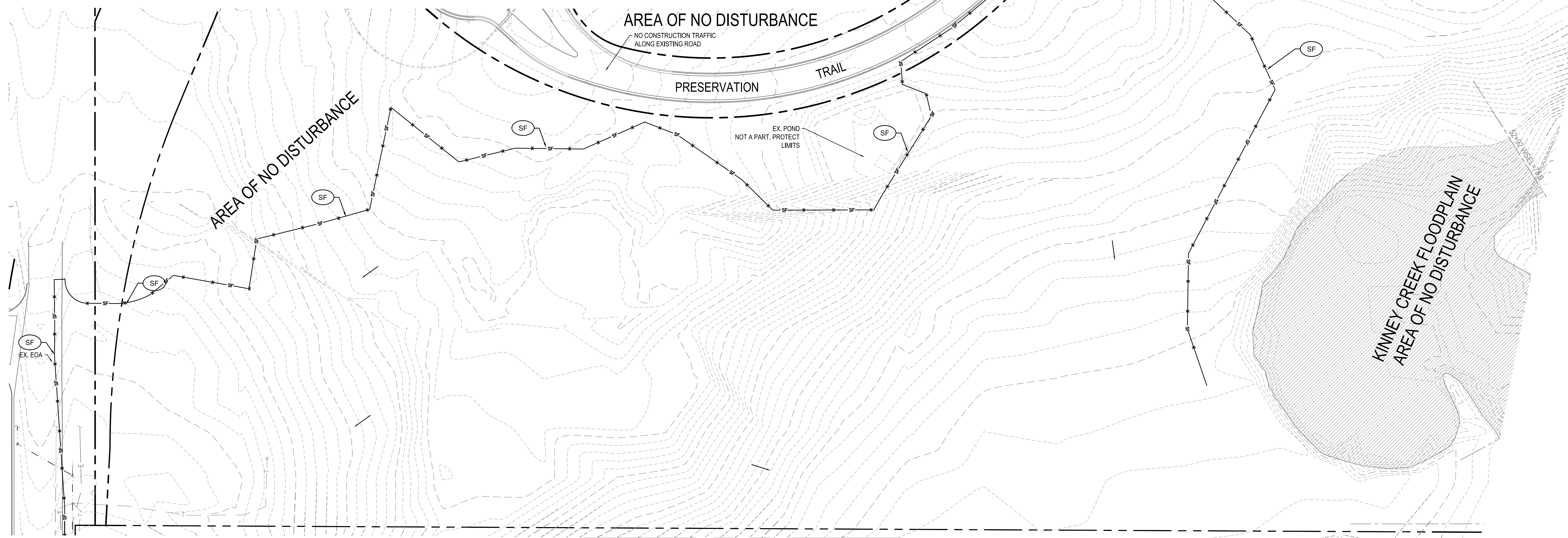
# GRADING EROSION AND SEDIMENT CONTROL NOTES

- IT SHALL BE THE CONTRACTORS RESPONSIBILITY TO OBTAIN PERMITS FROM THE LOCAL AND STATE AGENCIES PRIOR TO THE START OF CONSTRUCTION
- INITIAL BMPs SHALL BE INSTALLED IN ACCORDANCE WITH THE PLANS HEREIN AND THE LOCAL AGENCIES STANDARDS DETAILS. IF A DETAIL IS NOT PROVIDED FOR A PLANNED OR NEEDED BMP REFERENCE LOCAL AGENCY STANDARDS. IF THE DETAIL IS NOT AVAILABLE REFERENCE URBAN DRAINAGE AND FLOOD CONTROL DISTRICTS STANDARD DETAILS.
- THESE PLANS DO NOT REFLECT ALL BMPs THAT MAY BE NEEDED FOR SITE EROSION AND SEDIMENT CONTROL DUE TO FIELD CHANGES NOT ANTICIPATED IN THE DESIGN OF THE PLAN. CONTRACTOR SHALL INSTALL ADDITIONAL BMPs AS NEEDED TO MAINTAIN SITE STABILIZATION AND MITIGATE ANY SEDIMENT TRANSPORT OFF SITE OR TO THE ADJACENT STORM SYSTEM OR ADJACENT PROPERTY.
- ALTERNATE BMPs MAY BE USED FROM THOSE SHOWN HEREON. CONTACT ENGINEER AND LOCAL AGENCY INSPECTOR WITH PROPOSED CHANGES.
- GUIDELINES WITH THE LOCAL AGENCY PERMIT AND STANDARDS AND SPECIFICATIONS SHALL BE FOLLOW AND MAINTAINED.
- AN APPROVED COPY OF THE EROSION AND SEDIMENT CONTROL PLAN, STORMWATER MANAGEMENT PLAN SHALL BE KEPT ON SITE AT ALL TIMES.
- LOCATION OF BMPs MAY VARY FROM SHOWN HEREON DUE TO PROGRESS AND PHASING OF CONSTRUCTION ACTIVITIES.
- SITE BMPs SHALL BE MAINTAINED AND REPAIRED IF DAMAGED IMMEDIATELY. SITE INSPECTIONS SHALL OCCUR EVERY 7-DAYS, AND IMMEDIATELY OF ANY PRECIPITATION EVENT.
- IS SITE DEMO MATERIAL IS STOCKPILED PROVIDE PERIMETER CONTROLS SUCH AS SF, SCL AND CF. LOCATE PILE AWAY FROM NATURALLY FORMED DRAINAGE PATHS.

# DOUGLAS COUNTY NOTES:

- SEE COVER SHEET OF DOUGLAS COUNTY STANDARD NOTES AND DETAILS (SHEET 1 OF 3) FOR LEGEND OF BMP NAMES AND SYMBOLS.
- SHADED AREAS OUTSIDE LIMITS OF CONSTRUCTION SHALL NOT BE DISTURBED. CONSTRUCTION FENCE OR CONSTRUCTION MARKERS TO DELINEATE LIMITS OF CONSTRUCTION SHALL BE INSTALLED PRIOR TO ANY OTHER WORK ON SITE.
- ANY BMPs SHOWN THAT REQUIRE GRADING, E.G. SEDIMENT BASINS, SEDIMENT TRAPS, CONCRETE WASH OUT AREAS, ETC. ... SHALL NOT BE PLACED UNTIL AFTER THE PRE-CONSTRUCTION MEETING. IN ADDITION, THE SEDIMENT BASIN (OR OTHER BMP) SHALL NOT BE INSTALLED UNTIL AFTER THE GESC PRE-CONSTRUCTION MEETING AND ISSUANCE OF THE GESC PERMIT BUT MUST BE FULLY FUNCTIONAL PRIOR TO ANY LARGE SCALE GRADING. THE INITIAL PLAN ILLUSTRATES EXISTING CONDITIONS NO PROPOSED INFRASTRUCTURE IS SHOWN.

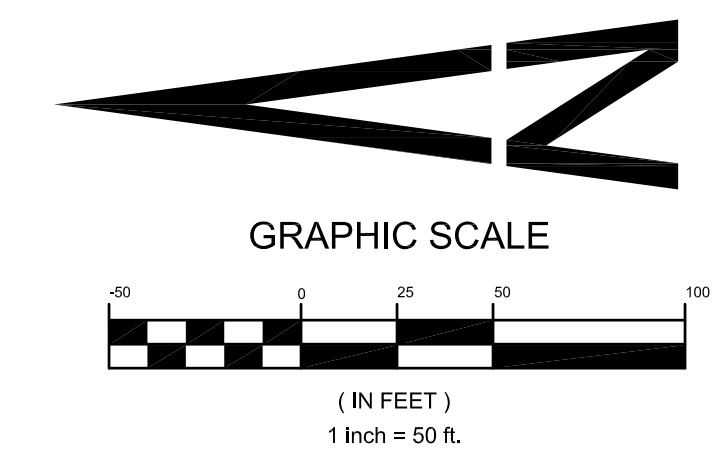
NOTE NO CONSTRUCTION TRAFFIC IS PERMITTED ON PRESERVATION TRAIL. ALL ACCESS TO BE FROM ADJACENT SITE WEST.



SEE PARKER POINT CBMP PLANS FOR ONSITE AREAS CONSTRUCTION TRAFFIC THRU ADJACENT SITE

CALL UTILITY NOTIFICATION CENTER OF COLORADO  
1-800-922-1987  
CALL 2-BUSINESS DAYS IN ADVANCE BEFORE YOU DIG, GRADE, OR EXCAVATE FOR THE MARKING OF UNDERGROUND MEMBER UTILITIES.

CAUTION: NOTICE TO CONTRACTOR THE CONTRACTOR IS SPECIFICALLY CAUTIONED THAT THE LOCATION AND/OR ELEVATION OF EXISTING UTILITIES AS SHOWN ON THESE PLANS IS BASED ON RECORDS OF THE VARIOUS UTILITY COMPANIES AND, WHERE POSSIBLE, MEASUREMENTS TAKEN IN THE FIELD. THE INFORMATION IS NOT TO BE RELIED ON AS BEING EXACT OR COMPLETE. THE CONTRACTOR MUST CALL THE LOCAL UTILITY LOCATION CENTER AT LEAST 48 HOURS BEFORE ANY EXCAVATION TO REQUEST EXACT FIELD LOCATIONS OF THE UTILITIES. IT SHALL BE THE RESPONSIBILITY OF THE CONTRACTOR TO RELOCATE ALL EXISTING UTILITIES WHICH CONFLICT WITH THE PROPOSED IMPROVEMENTS SHOWN ON THE PLANS.



PREPARED UNDER THE DIRECT SUPERVISION OF JERRY W. DAVIDSON, P.E. COLORADO REG # 30226 FOR AND ON BEHALF OF PERCEPTION DESIGN GROUP, INC.

DATE	DESCRIPTION
11/01/18	SIXTH SUBMITTAL
08/31/18	FOURTH SUBMITTAL
05/25/18	THIRD SUBMITTAL
03/19/18	PWSD SUBMITTAL
02/28/18	SECOND SUBMITTAL
10/24/17	INITIAL SUBMITTAL

NO.	DATE	DESCRIPTION
1		INITIAL GESC PLAN

design by: JWD  
approved by: JWD  
project no.: 2015-015

date: 10/01/17

SHEET  
**C8.10**

I:\PDG-MAS\PUBLIC\PROJECTS\2015-015 PARKER AND STROH\DWG\2015-015 CDS - GESC.DWG SITE.DWG 11/5/2018 2:46 PM

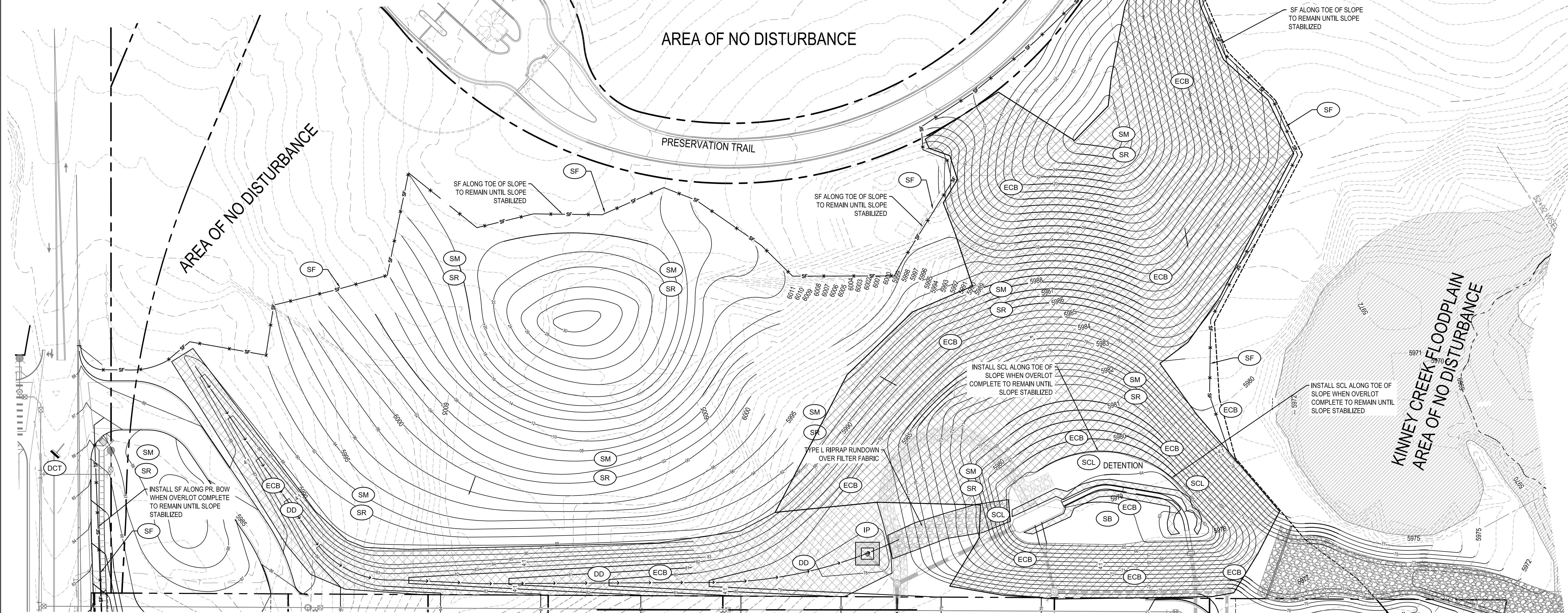
# GRADING EROSION AND SEDIMENT CONTROL NOTES

- IT SHALL BE THE CONTRACTORS RESPONSIBILITY TO OBTAIN PERMITS FROM THE LOCAL AND STATE AGENCIES PRIOR TO THE START OF CONSTRUCTION
- INITIAL AND INTERIM BMPs SHALL BE INSTALLED IN ACCORDANCE WITH THE PLANS HEREIN AND THE LOCAL AGENCIES STANDARDS DETAILS. IF A DETAIL IS NOT PROVIDED FOR A PLANNED OR NEEDED BMP REFERENCE LOCAL AGENCY STANDARDS. IF THE DETAIL IS NOT AVAILABLE REFERENCE URBAN DRAINAGE AND FLOOD CONTROL DISTRICTS STANDARD DETAILS.
- THESE PLANS DO NOT REFLECT ALL BMPs THAT MAY BE NEEDED FOR SITE EROSION AND SEDIMENT CONTROL DUE TO FIELD CHANGES NOT ANTICIPATED IN THE DESIGN OF THE PLAN. CONTRACTOR SHALL INSTALL ADDITIONAL BMPs AS NEEDED TO MAINTAIN SITE STABILIZATION AND MITIGATE ANY SEDIMENT TRANSPORT OFF SITE OR TO THE ADJACENT STORM SYSTEM OR ADJACENT PROPERTY.
- ALTERNATE BMPs MAY BE USED FROM THOSE SHOWN HEREON. CONTACT ENGINEER AND LOCAL AGENCY INSPECTOR WITH PROPOSED CHANGES.
- GUIDELINES WITH THE LOCAL AGENCY PERMIT AND STANDARDS AND SPECIFICATIONS SHALL BE FOLLOW AND MAINTAINED.
- AN APPROVED COPY OF THE EROSION AND SEDIMENT CONTROL PLAN, STORMWATER MANAGEMENT PLAN SHALL BE KEPT ON SITE AT ALL TIMES.
- LOCATION OF BMPs MAY VARY FROM SHOWN HEREON DUE TO PROGRESS AND PHASING OF CONSTRUCTION ACTIVITIES.
- SITE BMPs SHALL BE MAINTAINED AND REPAIRED IF DAMAGED IMMEDIATELY. SITE INSPECTIONS SHALL OCCUR EVERY 7-DAYS, AND IMMEDIATELY OF ANY PRECIPITATION EVENT.
- IS SITE DEMO MATERIAL IS STOCKPILED PROVIDE PERIMETER CONTROLS SUCH AS SF, SCL AND CF. LOCATE PILE AWAY FROM NATURALLY FORMED DRAINAGE PATHS.

# DOUGLAS COUNTY NOTES:

- SEE COVER SHEET OF DOUGLAS COUNTY STANDARD NOTES AND DETAILS (SHEET 1 OF 3) FOR LEGEND OF BMP NAMES AND SYMBOLS.
- SHADED AREAS OUTSIDE LIMITS OF CONSTRUCTION SHALL NOT BE DISTURBED. CONSTRUCTION FENCE OR CONSTRUCTION MARKERS TO DELINEATE LIMITS OF CONSTRUCTION SHALL BE INSTALLED PRIOR TO ANY OTHER WORK ON SITE.
- SHADED BMPs WERE INSTALLED IN THE INITIAL PHASE AND SHALL BE LEFT IN PLACE DURING THE INTERIM PHASE
- ALL INTERIM BMPs INCLUDING SEEDING AND MULCHING OF DISTURBED AREAS, MUST BE COMPLETED PRIOR TO ISSUANCE OF ANY CURB AND GUTTER PERMITS.
- SEE CONSTRUCTION PLANS FOR DETAILS OF PERMANENT DRAINAGE FACILITIES SUCH AS DETENTION FACILITIES, CULVERTS, STORM DRAINS AND INLET AND OUTLET PROTECTION.
- ALL PROPOSED SLOPES ON THIS PLAN HAVE A MAXIMUM SLOPE OF 4:1. ANY SLOPES BETWEEN 3:1 AND 4:1 WILL REQUIRE THE USE OF EROSION CONTROL BLANKETS OR FLEXIBLE GROWTH MEDIUM.
- SEE CONSTRUCTION PLANS FOR DETAILS OF PERMANENT DRAINAGE FACILITIES SUCH AS DETENTION FACILITIES, WATER QUALITY FACILITIES, CULVERTS, STORM DRAINS, AND INLET AND OUTLET PROTECTION.
- PRIOR TO THE EXPORT OF MATERIAL THE CONTRACTOR MUST COORDINATE WITH THE DOUGLAS COUNTY STORMWATER INSPECTOR. THE RECEIVING SITE, IF WITHIN DOUGLAS COUNTY BOUNDARIES, MAY REQUIRE APPROVED GESC PERMIT AND PLANS / REPORT. ADDITIONALLY, THE HAUL ROUTE, AMOUNT OF TRUCKS, ETC. WILL NEED TO BE COORDINATED WITH THE DOUGLAS COUNTY INSPECTOR.
- DURING HAULING OPERATIONS SWEEPING SHALL OCCUR THROUGHOUT THE DAY AND AT THE END OF EACH DAY.
- SAW-CUT SLURRY AND CUTTINGS SHALL BE VACUUMED DURING CUTTING AND SURFACING OPERATIONS. SLURRY AND CUTTINGS SHALL NOT DRAIN TO ANY NATURAL OR CONSTRUCTED DRAINAGE CONVEYANCE.

NOTE NO CONSTRUCTION TRAFFIC IS PERMITTED ON PRESERVATION TRAIL. ALL ACCESS TO BE FROM ADJACENT SITE WEST.



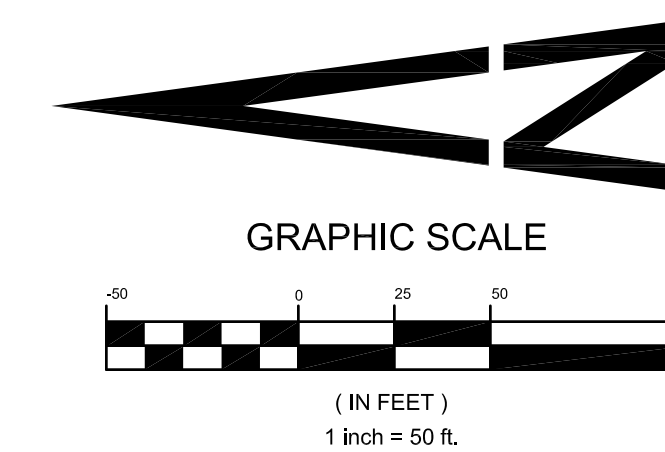
SEE PARKER POINTE CBMP PLANS FOR ONSITE AREAS CONSTRUCTION TRAFFIC THRU ADJACENT SITE

## SEDIMENT BASIN DESIGN

Bw = 61 FT  
L = 122 FT MIN  
CL = 30 FT  
HD = 1-5/8"  
DEPTH = 3' TO SPILLWAY OVERFLOW  
SIDE SLOPES = 4:1

## CUT FILL SUMMARY

CUT	147,000	CUYD
FILL	147,000	CUYD
NET BALANCE		



CALL UTILITY NOTIFICATION CENTER OF COLORADO  
**1-800-922-1987**  
CALL 2-BUSINESS DAYS IN ADVANCE BEFORE YOU DIG, GRADE, OR EXCAVATE FOR THE MARKING OF UNDERGROUND MEMBER UTILITIES.

CAUTION: NOTICE TO CONTRACTOR THE CONTRACTOR IS SPECIFICALLY CAUTIONED THAT THE LOCATION AND/OR ELEVATION OF EXISTING UTILITIES AS SHOWN ON THESE PLANS IS BASED ON RECORDS OF THE VARIOUS UTILITY COMPANIES AND, WHERE POSSIBLE, MEASUREMENTS TAKEN IN THE FIELD. THE INFORMATION IS NOT TO BE RELIED ON AS BEING EXACT OR COMPLETE. THE CONTRACTOR MUST CALL THE LOCAL UTILITY LOCATION CENTER AT LEAST 48 HOURS BEFORE ANY EXCAVATION TO REQUEST EXACT FIELD LOCATIONS OF THE UTILITIES. IT SHALL BE THE RESPONSIBILITY OF THE CONTRACTOR TO RELOCATE ALL EXISTING UTILITIES WHICH CONFLICT WITH THE PROPOSED IMPROVEMENTS SHOWN ON THE PLANS.



PREPARED UNDER THE DIRECT SUPERVISION OF JERRY W. DAVISON, P.E. COLORADO REG # 30226 FOR AND ON BEHALF OF PERCEPTION DESIGN GROUP, INC.

DATE	DESCRIPTION
11/01/18	SIXTH SUBMITTAL
08/31/18	FOURTH SUBMITTAL
05/25/18	THIRD SUBMITTAL
03/19/18	PWSD SUBMITTAL
02/28/18	SECOND SUBMITTAL
10/24/17	INITIAL SUBMITTAL

## INTERIM / FINAL GESC PLAN

PARKER POINTE  
LOTS 1 THRU 15 AND TRACTS A AND B, PARKER POINTE FILING NO. 1  
SOUTHEAST CORNER PARKER ROAD AND STROH ROAD  
PARKER, COLORADO

design by: JWD  
approved by: JWD  
project no.: 2015-015

date: 10/01/17

SHEET  
**C8.11**

I:\PDG-MAS\PUBLIC\PROJECTS\2015-015 PARKER AND STROH.DWG\2015-015 CDS - GESC.DFSITE.DWG 11/13/2018 9:08 AM

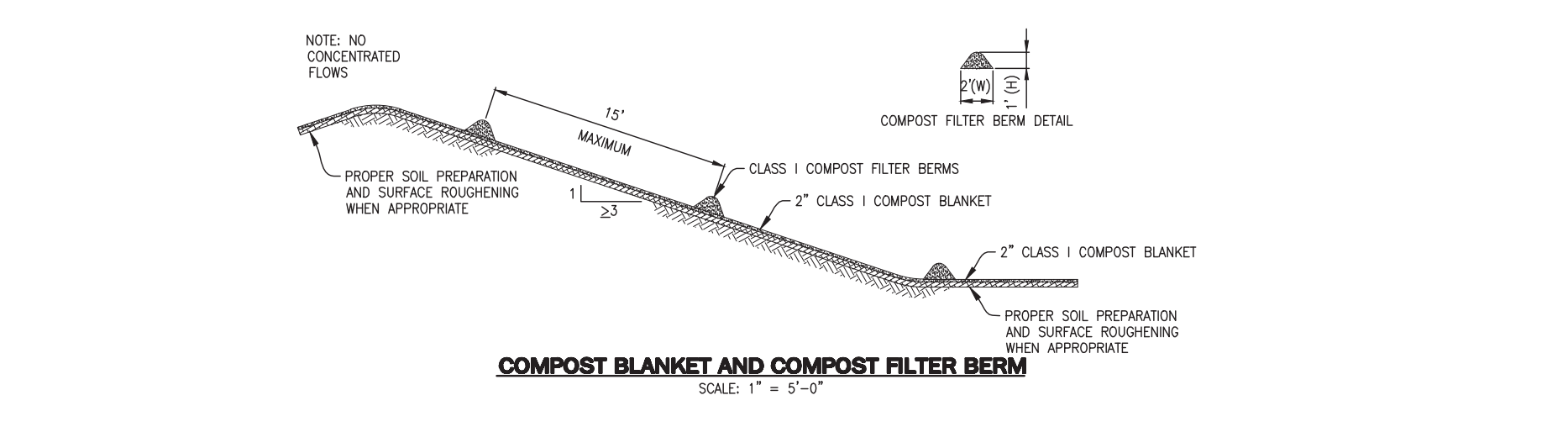
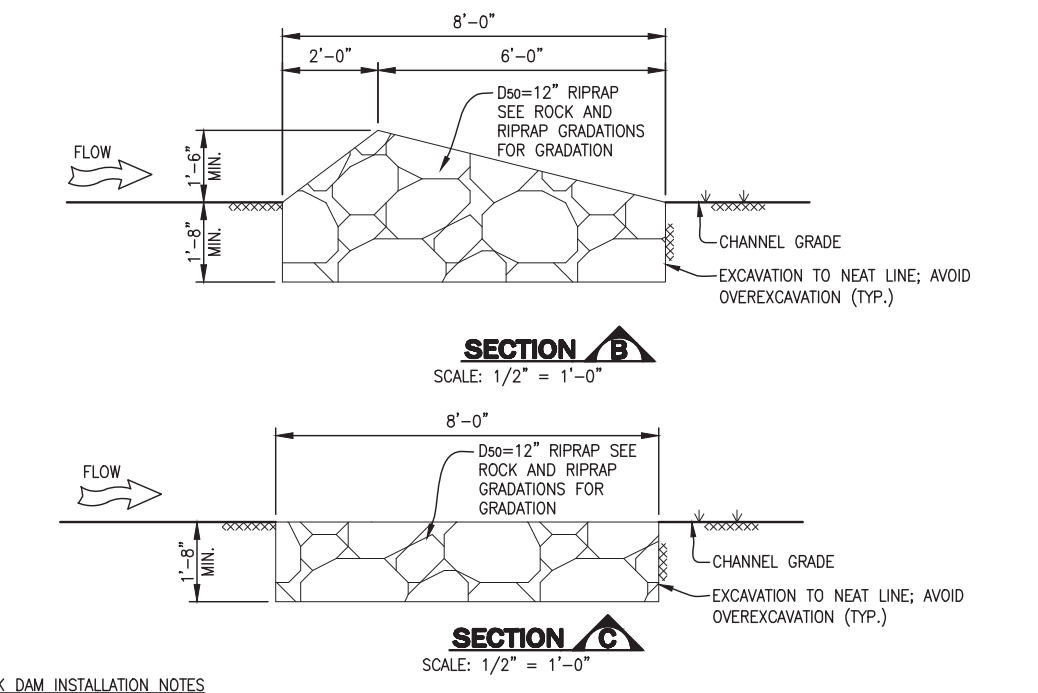
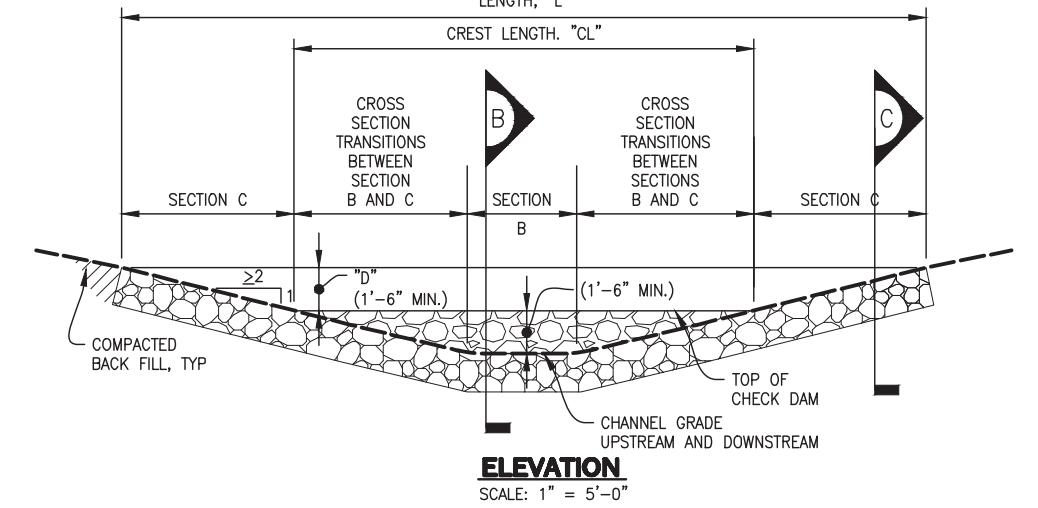
# GRADING, EROSION, AND SEDIMENT CONTROL (GESC) GENERAL NOTES

- THE DOUGLAS COUNTY ENGINEER'S SIGNATURE AFFIXED TO THIS DOCUMENT INDICATES THE DOUGLAS COUNTY PUBLIC WORKS ENGINEERING HAS REVIEWED THE DOCUMENT AND FOUND IT IN GENERAL COMPLIANCE WITH THE DOUGLAS COUNTY GRADING, EROSION AND SEDIMENT CONTROL (GESC) CRITERIA MANUAL, THE DOUGLAS COUNTY DIRECTOR OF ENGINEERING SERVICES, THROUGH ACCEPTANCE OF THIS DOCUMENT, ASSUMES NO RESPONSIBILITY (OTHER THAN AS STATED ABOVE) FOR THE COMPLETENESS AND/OR ACCURACY OF THESE DOCUMENTS.
- THE ADEQUACY OF THIS GESC PLAN LIES WITH THE ORIGINAL DESIGN ENGINEER.
- THE GESC PLAN SHALL BE CONSIDERED VALID FOR THREE (3) YEARS FROM THE DATE OF ACCEPTANCE BY DOUGLAS COUNTY, AFTER WHICH TIME THE PLAN SHALL BE VOID AND WILL BE SUBJECT TO RE-REVIEW AND RE-ACCEPTANCE BY DOUGLAS COUNTY.
- ALL MATERIALS AND WORKMANSHIP SHALL BE SUBJECT TO INSPECTION BY THE DOUGLAS COUNTY PUBLIC WORKS ENGINEERING. DOUGLAS COUNTY RESERVES THE RIGHT TO ACCEPT OR REJECT ANY SUCH MATERIALS AND WORKMANSHIP THAT DOES NOT CONFORM TO THE GESC MANUAL, GESC PLAN OR GESC PERMIT.
- THE PLACEMENT OF EROSION AND SEDIMENT CONTROL BEST MANAGEMENT PRACTICES (BMPs) SHALL BE IN ACCORDANCE WITH THE DOUGLAS COUNTY ACCEPTED GESC PLAN AND THE DOUGLAS COUNTY GESC MANUAL, AS AMENDED.
- ANY VARIATION IN MATERIAL, TYPE OR LOCATION OF EROSION AND SEDIMENT CONTROL BMPs FROM THE DOUGLAS COUNTY ACCEPTED GESC PLAN WILL REQUIRE APPROVAL FROM AN ACCOUNTABLE REPRESENTATIVE OF THE DOUGLAS COUNTY PUBLIC WORKS ENGINEERING.
- AFTER THE GESC PLAN HAS BEEN ACCEPTED, THE GESC PERMIT APPLIED FOR, FEES AND FISCAL SECURITY SUBMITTED TO THE COUNTY, AND THE GESC FIELD MANUAL OBTAINED AND REVIEWED, THE CONTRACTOR MAY INSTALL THE INITIAL-STAGE EROSION AND SEDIMENT CONTROL BMPs INDICATED ON THE ACCEPTED GESC PLAN.
- THE FIRST BMP TO BE INSTALLED ON THE SITE SHALL BE CONSTRUCTION FENCE, MARKERS, OR OTHER APPROVED MEANS OF DEFINING THE LIMITS OF CONSTRUCTION, INCLUDING CONSTRUCTION LIMITS ADJACENT TO STREAM CORRIDORS AND OTHER AREAS TO BE PRESERVED.
- AFTER INSTALLATION OF THE INITIAL-STAGE EROSION AND SEDIMENT CONTROL BMPs, THE PERMITTEE SHALL CALL THE DOUGLAS COUNTY ENGINEERING SERVICES AT 303-569-7457 TO SCHEDULE A PRECONSTRUCTION MEETING AT THE PROJECT SITE. THE REQUEST SHALL BE MADE A MINIMUM OF THREE BUSINESS DAYS PRIOR TO THE REQUESTED MEETING TIME. NO CONSTRUCTION ACTIVITIES SHALL BE PLANNED WITHIN 24 HOURS AFTER THE PRECONSTRUCTION MEETING.
- THE OWNER OR OWNER'S REPRESENTATIVE, THE GESC MANAGER, THE GENERAL CONTRACTOR, AND THE GRADING SUBCONTRACTOR, IF DIFFERENT FROM THE GENERAL CONTRACTOR, MUST ATTEND THE PRECONSTRUCTION MEETING. IF ANY OF THE REQUIRED PARTICIPANTS FAIL TO ATTEND THE PRECONSTRUCTION MEETING, OR IF THE GESC FIELD MANUAL IS NOT ON SITE, OR IF THE INSTALLATION OF THE INITIAL BMPs ARE NOT APPROVED BY THE DOUGLAS COUNTY EROSION CONTROL INSPECTOR, THE APPLICANT WILL HAVE TO PAY A RESCINATION FEE, ADDRESS ANY PROBLEMS WITH BMP INSTALLATION, AND CALL TO RESCHEDULE THE MEETING, WITH A CORRESPONDING DELAY IN THE START OF CONSTRUCTION. DOUGLAS COUNTY STRONGLY ENCOURAGES THE APPLICANT TO HAVE THE ENGINEER OF RECORD AT THE PRECONSTRUCTION MEETING.
- CONSTRUCTION SHALL NOT BEGIN UNTIL THE DOUGLAS COUNTY EROSION CONTROL INSPECTOR APPROVES THE INSTALLATION OF THE INITIAL BMPs AND THE APPROVED GESC PERMIT IS PICKED UP FROM THE COUNTY AND IS IN-HAND ON THE SITE. THE COMPLETED PERMIT WILL BE AVAILABLE WITHIN 24 HOURS AFTER THE INSTALLATION OF THE INITIAL BMPs ARE APPROVED.
- THE GESC MANAGER SHALL STRICTLY ADHERE TO THE DOUGLAS COUNTY-APPROVED LIMITS OF CONSTRUCTION AT ALL TIMES. THE DOUGLAS COUNTY PUBLIC WORKS ENGINEERING MUST APPROVE ANY CHANGES TO THE LIMITS OF CONSTRUCTION AND, AT THE DISCRETION OF THE ENGINEERING DIVISION, ADDITIONAL EROSION/SEDIMENT CONTROLS MAY BE REQUIRED IN ANY ADDITIONAL AREAS OF CONSTRUCTION.
- THE MAXIMUM AREA OF CONSTRUCTION SHALL BE LIMITED TO 40 ACRES (70 ACRES IF APPROVED FOR SOIL MITIGATION OPERATIONS) TO REDUCE THE AMOUNT OF LAND DISTURBED AT ANY ONE TIME. LARGER SITES SHALL BE DIVIDED INTO PHASES THAT ARE EACH 40 (OR 70) ACRES OR LESS IN SIZE. THESE PROJECTS SHALL CONDUCT GRADING ACTIVITIES IN ACCORDANCE WITH THE ACCEPTED GESC PLAN. BMP INSTALLATION AND APPROVAL BY DOUGLAS COUNTY AT THE START AND COMPLETION OF EACH PHASE SHALL BE CONDUCTED IN ACCORDANCE WITH THE PROCEDURES OUTLINED IN THE GESC MANUAL AND/OR GESC FIELD MANUAL.
- PRIOR TO ANY CONSTRUCTION ACTIVITY, THE PERMITTEE SHALL VERIFY THE LOCATION OF EXISTING UTILITIES. FOR INFORMATION, CONTACT THE UTILITY NOTIFICATION CENTER OF COLORADO (UNCC) AT 811, 1-800-922-1987, OR WWW.COLORADO811.ORG.
- NATURAL VEGETATION SHALL BE RETAINED AND PROTECTED WHEREVER POSSIBLE. EXPOSURE OF SOIL TO EROSION BY REMOVAL OR DISTURBANCE OF VEGETATION SHALL BE LIMITED TO THE AREA REQUIRED FOR IMMEDIATE CONSTRUCTION OPERATIONS.
- THE GESC PERMIT SHALL BE VALID FOR A PERIOD OF ONE (1) YEAR FROM THE DATE OF ISSUANCE.
- A COPY OF THE GESC PERMIT, ACCEPTED GESC PLANS AND THE GESC FIELD MANUAL SHALL BE ON SITE AT ALL TIMES.
- THE GESC MANAGER SHALL BE RESPONSIBLE FOR ENSURING THAT THE SITE REMAINS IN COMPLIANCE WITH THE GESC PERMIT AND SHALL BE THE PERMITTEE'S CONTACT PERSON WITH THE COUNTY FOR ALL MATTERS PERTAINING TO THE GESC PERMIT. THE GESC MANAGER SHALL BE PRESENT AT THE SITE THE MAJORITY OF THE TIME AND SHALL BE AVAILABLE THROUGH A 24-HOUR CONTACT NUMBER. IN THE EVENT THAT THE CONTRACTOR'S GESC MANAGER IS NOT ON SITE AND CANNOT BE REACHED DURING A VIOLATION, THE ALTERNATE GESC MANAGER SHALL BE CONTACTED. IF NEITHER THE GESC MANAGER NOR ALTERNATE GESC MANAGER CAN BE CONTACTED DURING ANY VIOLATION, A STOP WORK ORDER MAY BE ISSUED.
- ALL CONSTRUCTION TRAFFIC MUST ENTER/EXIT THE SITE THROUGH THE DOUGLAS COUNTY-APPROVED ACCESS POINT. A VEHICLE TRACKING CONTROL PAD IS REQUIRED AT ALL ACCESS POINTS ON THE SITE. ADDITIONAL STABILIZED CONSTRUCTION ENTRANCES MAY BE ADDED WITH AUTHORIZATION FROM THE DOUGLAS COUNTY PUBLIC WORKS ENGINEERING.
- THE GESC MANAGER IS RESPONSIBLE FOR CLEANUP OF SEDIMENT OR CONSTRUCTION DEBRIS TRACKED ONTO ADJACENT PAVED AREAS. PAVED AREAS INCLUDING STREETS ARE TO BE KEPT CLEAN THROUGHOUT BUILD-OUT AND SHALL BE CLEANED, WITH A STREET SWEEPER OR SIMILAR DEVICE, AT FIRST NOTICE OF ACCIDENTAL TRACKING OR AT THE DISCRETION OF THE DOUGLAS COUNTY EROSION CONTROL INSPECTOR. STREET WASHING IS NOT ALLOWED. DOUGLAS COUNTY RESERVES THE RIGHT TO REQUIRE ADDITIONAL MEASURES TO ENSURE AREA STREETS ARE KEPT FREE OF SEDIMENT AND/OR CONSTRUCTION DEBRIS.

- APPROVED EROSION AND SEDIMENT CONTROL BMPs SHALL BE MAINTAINED AND KEPT IN GOOD REPAIR FOR THE DURATION OF THIS PROJECT. AT A MINIMUM, THE GESC MANAGER SHALL INSPECT ALL BMPs IN ACCORDANCE WITH THE ACCEPTED GESC PLAN AND GESC MANUAL. LEVEL III VIOLATIONS SHALL BE CORRECTED IMMEDIATELY AFTER THE PERMITTEE(S) NOTICE THE VIOLATION(S) OR ARE NOTICED OF THE VIOLATION(S). GENERALLY DOUGLAS COUNTY WILL RESPOND FOR COMPLIANCE WITHIN 48 HOURS OF NOTIFICATION OF LEVEL III VIOLATIONS. LEVEL II VIOLATIONS SHALL BE CORRECTED IMMEDIATELY, OR AS DIRECTED BY A DOUGLAS COUNTY EROSION CONTROL INSPECTOR. ACCUMULATED SEDIMENT AND CONSTRUCTION DEBRIS SHALL BE REMOVED AND PROPERLY DISPOSED.
- STRAW BALES ARE NOT A DOUGLAS COUNTY ACCEPTED SEDIMENT CONTROL BMP.
- TOPSOIL SHALL BE STRIPPED AND STOCKPILED IN THE LOCATION SHOWN ON THE ACCEPTED GESC PLAN. THE GESC MANAGER SHALL SCHEDULE AN INSPECTION WITH THE DOUGLAS COUNTY EROSION CONTROL INSPECTOR AS SOON AS TOPSOIL STRIPPING IS COMPLETED. FAILURE TO SCHEDULE SUCH INSPECTION OR FAILURE TO STOCKPILE TOPSOIL SHALL RESULT IN ISSUANCE OF A STOP WORK ORDER. THE STOP WORK ORDER SHALL REMAIN IN PLACE UNTIL TOPSOIL IS STOCKPILED ON SITE OR APPROPRIATE SOIL AMENDMENTS ARE STOCKPILED ON SITE.
- THE ACCEPTED GESC PLAN MAY REQUIRE CHANGES OR ALTERATIONS AFTER APPROVAL TO MEET CHANGING SITE OR PROJECT CONDITIONS OR TO ADDRESS INEFFICIENCIES IN DESIGN OR INSTALLATION. THE GESC MANAGER SHALL OBTAIN PRIOR APPROVAL FROM THE DESIGN ENGINEER AND DOUGLAS COUNTY PUBLIC WORKS ENGINEERING FOR ANY PROPOSED CHANGES.
- LINING OF TEMPORARY SWALES AND DITCHES SHALL BE IN ACCORDANCE WITH THE GESC CRITERIA MANUAL.
- NO PERMANENT EARTH SLOPES GREATER THAN 3:1 SHALL BE ALLOWED.
- ANY SETTLEMENT OR SOIL ACCUMULATIONS BEYOND THE LIMITS OF CONSTRUCTION DUE TO GRADING OR EROSION SHALL BE REPAIRED IMMEDIATELY BY THE GESC MANAGER. THE GESC MANAGER SHALL BE HELD RESPONSIBLE FOR OBTAINING ACCESS RIGHTS TO ADJACENT PROPERTY, IF NEEDED, AND REMEDIATING ANY ADVERSE IMPACTS TO ADJACENT WATERWAYS, WETLANDS, PROPERTIES, ETC. RESULTING FROM WORK DONE AS PART OF THIS PROJECT.
- A WATER SOURCE SHALL BE AVAILABLE ON SITE DURING EARTHWORK OPERATIONS AND UTILIZED AS REQUIRED TO MINIMIZE DUST FROM EARTHWORK EQUIPMENT AND WIND.
- SOILS THAT WILL BE STOCKPILED FOR MORE THAN THIRTY (30) DAYS SHALL BE SEEDED AND MULCHED WITHIN FOURTEEN (14) DAYS OF STOCKPILE CONSTRUCTION. NO STOCKPILES SHALL BE PLACED WITHIN ONE HUNDRED (100) FEET OF A DRAINAGE WAY UNLESS APPROVED BY THE DOUGLAS COUNTY PUBLIC WORKS ENGINEERING.
- ALL CHEMICAL OR HAZARDOUS MATERIAL, SPILLS WHICH MAY ENTER WATERS OF THE STATE OF COLORADO, WHICH INCLUDE BUT ARE NOT LIMITED TO, SURFACE WATER, GROUND WATER AND DRY GULLIES OR STORM SEWER LEADING TO SURFACE WATER, SHALL BE IMMEDIATELY REPORTED TO THE COPHE PER CRS 25-8-601, AND DOUGLAS COUNTY. RELEASES OF PETROLEUM PRODUCTS AND CERTAIN HAZARDOUS SUBSTANCES LISTED UNDER THE FEDERAL CLEAN WATER ACT (40 CFR PART 119) MUST BE REPORTED TO THE NATIONAL RESPONSE CENTER AS WELL AS THE COPHE. CONTACT INFORMATION FOR COPHE, DOUGLAS COUNTY AND THE NATIONAL RESPONSE CENTER CAN BE FOUND IN APPENDIX A OF THE GESC MANUAL, AS AMENDED. SPILLS THAT POSE AN IMMEDIATE RISK TO HUMAN LIFE SHALL BE REPORTED TO 911. FAILURE TO REPORT AND CLEAN UP ANY SPILL MAY RESULT IN ISSUANCE OF A STOP WORK ORDER.
- ALL WORK ON SITE SHALL STAY A MINIMUM OF ONE HUNDRED (100) FEET AWAY FROM ANY DRAINAGEWAY, WETLAND, ETC. UNLESS OTHERWISE NOTED ON AN ACCEPTED DOUGLAS COUNTY GESC PLAN.
- ALL PROJECTS SHALL BALANCE EARTHWORK QUANTITIES ON SITE. IN THE EVENT A VARIANCE IS GRANTED BY THE COUNTY DIRECTOR OF ENGINEERING SERVICES TO ALLOW IMPORT OR EXPORT OF MATERIAL, THE PERMITTEE SHALL HAVE A GESC PERMIT IN HAND FOR THE IMPORT OR EXPORT SITE PRIOR TO ANY TRANSPORTING OF EARTHEN MATERIAL. THE GESC MANAGER SHALL NOTIFY THE DOUGLAS COUNTY EROSION CONTROL INSPECTOR OF THE LOCATION AND PERMIT NUMBERS OF BOTH THE EXPORTING AND IMPORTING SITES PRIOR TO ANY IMPORT/EXPORT OPERATIONS.
- THE USE OF REBAR, STEEL STAKES OR STEEL FENCE POSTS FOR STAKING OR SUPPORT OF ANY EROSION OR SEDIMENT CONTROL BMP IS PROHIBITED (EXCEPT STEEL TEE-POSTS FOR USE IN SUPPORTING CONSTRUCTION FENCE).
- THE CLEANING OF CONCRETE DELIVERY TRUCK CHUTES IS RESTRICTED TO APPROVED CONCRETE WASH OUT LOCATIONS ON THE JOB SITE. THE DISCHARGE OF WATER CONTAINING WASTE CONCRETE TO THE STORM SEWER SYSTEM IS PROHIBITED. ALL CONCRETE WASTE SHALL BE PROPERLY CLEANED UP AND DISPOSED AT AN APPROPRIATE LOCATION.
- ALL DEWATERING ON SITE SHALL BE COORDINATED WITH A DOUGLAS COUNTY EROSION CONTROL INSPECTOR AND BE FREE OF SEDIMENT IN ACCORDANCE WITH THE GESC MANUAL.
- ALL PERMANENT INSTALLATIONS OF PIPES FOR STORM SEWERS, SLOPE DRAINS, AND CULVERTS, TOGETHER WITH RIPRAP APRONS OR OTHER INLET AND OUTLET PROTECTION, REQUIRE INSPECTION BY DOUGLAS COUNTY PUBLIC WORKS ENGINEERING (SEPARATE FROM GESC INSPECTIONS).
- ALL DISTURBED AREAS SHALL BE DRILL SEEDDED AND CRMP MULCHED IN ACCORDANCE WITH THE GESC CRITERIA MANUAL WITHIN THIRTY (30) DAYS OF INITIAL EXPOSURE OR WITHIN FOURTEEN (14) DAYS OF SUBSTANTIAL COMPLETION (AS DEFINED BY DOUGLAS COUNTY) OF AN AREA, WHICHEVER IS LESS. THIS MAY REQUIRE MULTIPLE MOBILIZATIONS FOR SEEDING AND MULCHING.
- ALL SLOPES STEEPER THAN 4:1 REQUIRE EROSION CONTROL BLANKETING.
- HYDRAULIC SEEDING AND HYDRAULIC MULCHING ARE NOT AN ACCEPTABLE METHOD OF SEEDING OR MULCHING IN DOUGLAS COUNTY.
- NO CURB AND GUTTER PERMITS SHALL BE ISSUED UNTIL ALL DISTURBED AREAS ARE DRILL SEEDDED AND CRMP MULCHED.
- NO PAVING PERMITS SHALL BE ISSUED UNTIL ALL INTERIM INLET PROTECTION IS INSTALLED AND APPROVED BY THE EROSION CONTROL INSPECTOR.
- A GESC INSPECTION SHALL BE CONDUCTED FOR CERTIFICATE OR TEMPORARY CERTIFICATE OF OCCUPANCY OR INITIAL ACCEPTANCE.
- GESC MANAGER SHALL PROVIDE AND MAINTAIN PORTABLE TOILETS AND TRASH DUMPSTERS FOR THE PROJECT.

## DETAIL SHEET

- | NO. | NO. | BMP LEGEND | DESCRIPTION                |
|-----|-----|------------|----------------------------|
| 1   | ④   | CD         | CHECK DAM                  |
| 2   | ①   | CB         | COMPOST BLANKET            |
| 3   | ①   | CFB        | COMPOST FILTER BERM        |
| 4   | ①   | CWA        | CONCRETE WASHOUT AREA      |
| 5   | ①   | CF         | CONSTRUCTION FENCE         |
| 6   | ①   | CM         | CONSTRUCTION MARKER        |
| 7   | ①   | CS         | CURB SOCK                  |
| 8   | ①   | DW         | DEWATERING                 |
| 9   | ①   | DD         | DIVERSION DITCH            |
| 10  | ②   | ECB        | EROSION CONTROL BLANKET    |
| 11  | ②   | IP         | INLET PROTECTION           |
| 12  | ②   | RCD        | REINFORCED CHECK DAM       |
| 13  | ②   | RRB        | REINFORCED ROCK BERM       |
| 14  | ②   | RRC        | RRR FOR CULVERT PROTECTION |
| 15  | ②   | SB         | SEDIMENT BASIN             |
| 16  | ③   | SCL        | SEDIMENT CONTROL LOG       |
| 17  | ③   | ST         | SEDIMENT TRAP              |
| 18  | ③   | SM         | SEEDING AND MULCHING       |
| 19  | ③   | SF         | SILT FENCE                 |
| 20  | ③   | SSA        | STABILIZED STAGING AREA    |
| 21  | ③   | SR         | SURFACE ROUGHENING         |
| 22  | ③   | TSD        | TEMPORARY SLOPE DRAIN      |
| 23  | ③   | TSC        | TEMPORARY STREAM CROSSING  |
| 24  | ④   | TER        | TERRACING                  |
| 25  | ④   | VTC        | VEHICLE TRACKING CONTROL   |
| 26  | ④   | WW         | WALL WITH WHEEL SHIELD     |
|     | ④   | LOC        | LIMITS OF CONSTRUCTION     |



**COMPOST BLANKET NOTES:**

- SEE PLAN VIEW FOR AREA OF COMPOST BLANKET.
- MAY BE USED IN PLACE OF STRAW MULCH OR EROSION CONTROL BLANKET IN AREAS WHERE ACCESS IS DIFFICULT DUE TO LANDSCAPING OR OTHER OBJECTS OR IN AREAS WHERE A SMOOTH TURF GRASS FINISH IS DESIRED.
- SHALL BE PROHIBITED IN AREAS OF POSSIBLE CONCENTRATED FLOW.
- SOIL PREPARATION SHALL BE COMPLETE PER THE SPECIFICATIONS OUTLINED IN THESE CRITERIA PRIOR TO APPLICATION.
- WHEN TURF GRASS FINISH IS NOT DESIRED, SURFACE ROUGHENING ON SLOPES SHALL TAKE PLACE PRIOR TO APPLICATION.
- SEEDING SHALL BE DRILLED BEFORE THE APPLICATION OF COMPOST OR SEED MAY BE COMBINED AND BLOWN WITH THE PNEUMATIC BLOWER.
- COMPOST FILTER BERM SHALL BE UTILIZED ON SLOPES WITH A MAXIMUM SPACING OF 15 FEET PER THE REQUIREMENTS FOUND IN THE COMPOST FILTER BERM SECTION.
- THE RECOMMENDED INSPECTION FREQUENCY IS WEEKLY, DURING AND AFTER ANY STORM EVENT.
- COMPOST USED IN THE APPLICATION OF THE COMPOST BLANKET SHALL BE A CLASS 1 COMPOST AS DEFINED BY THE FOLLOWING PHYSICAL, CHEMICAL, AND BIOLOGICAL PARAMETERS:

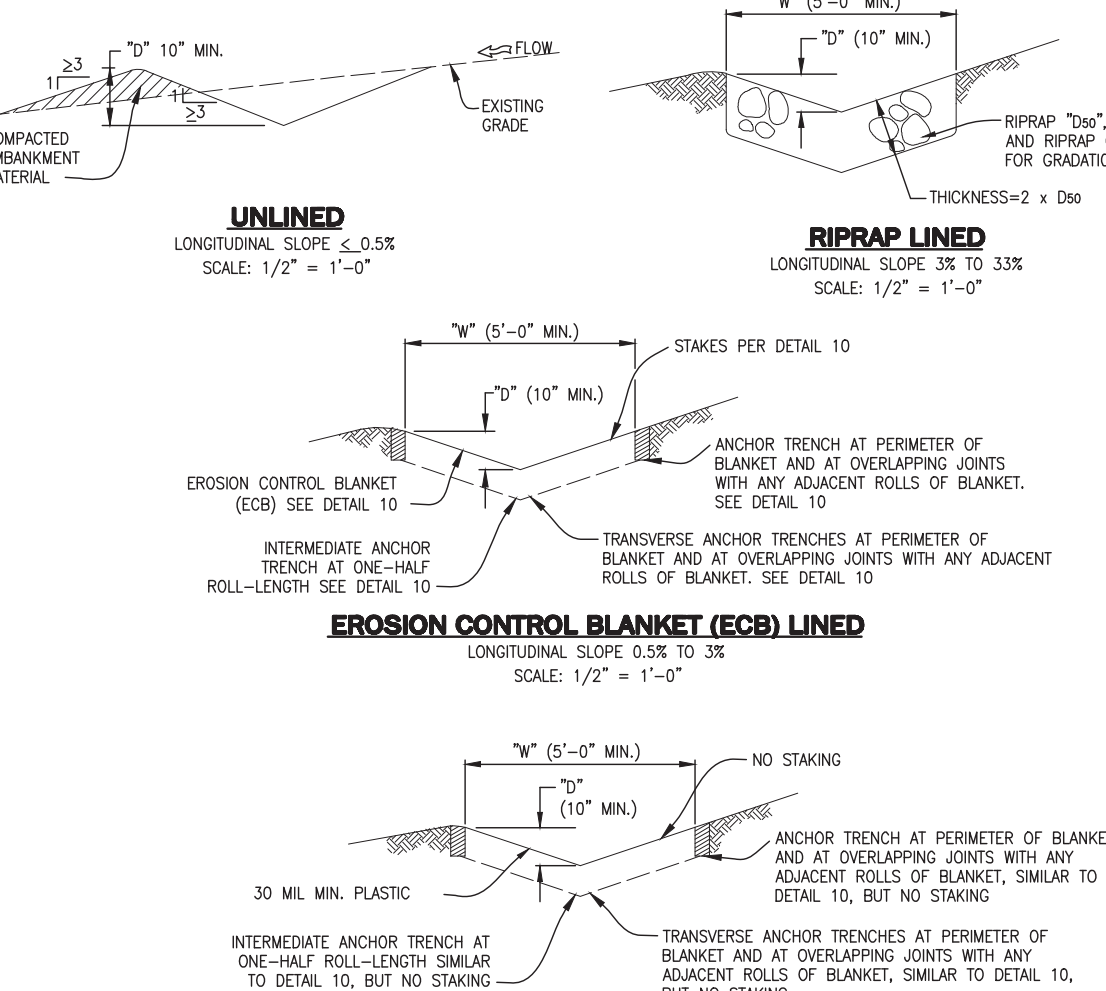
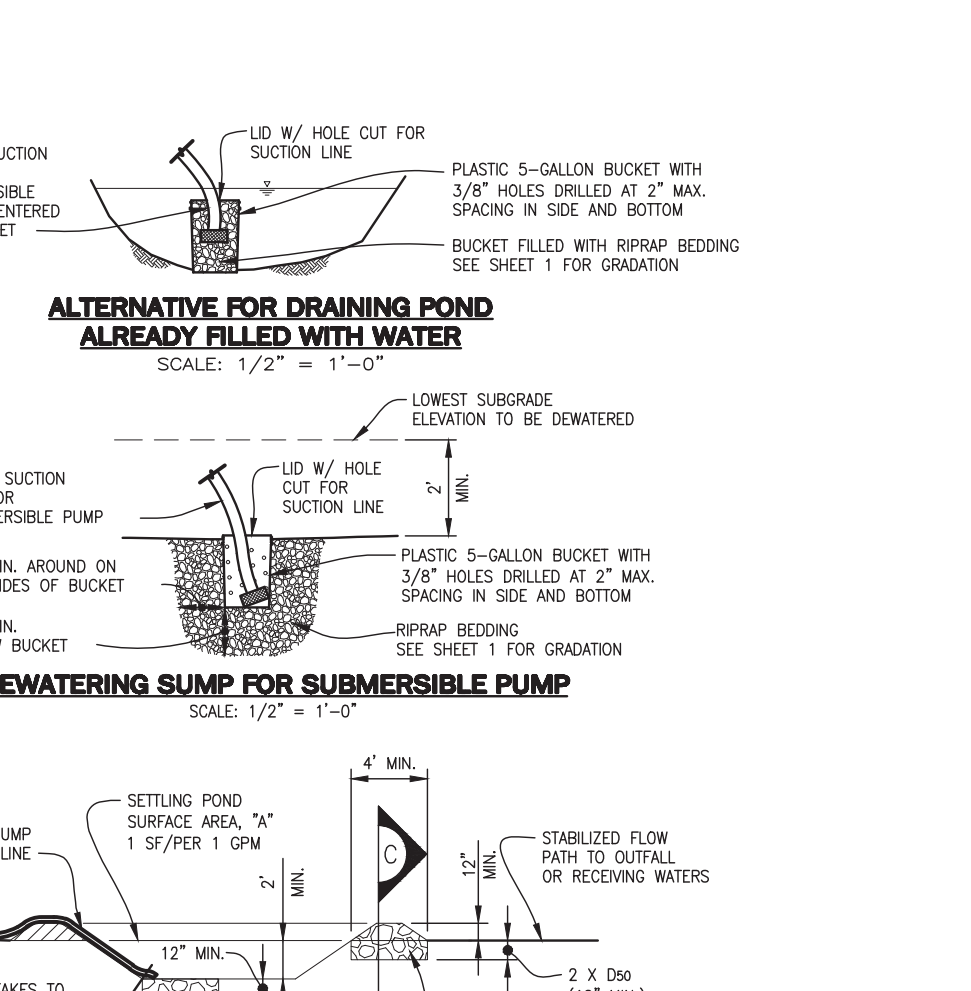
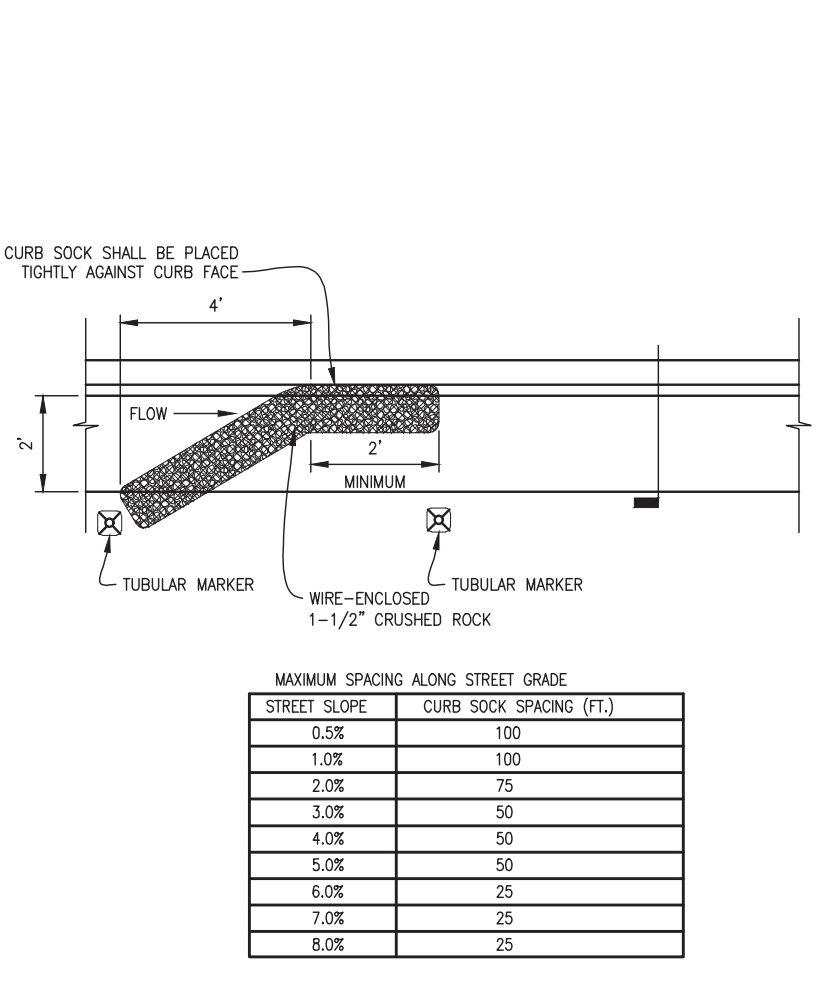
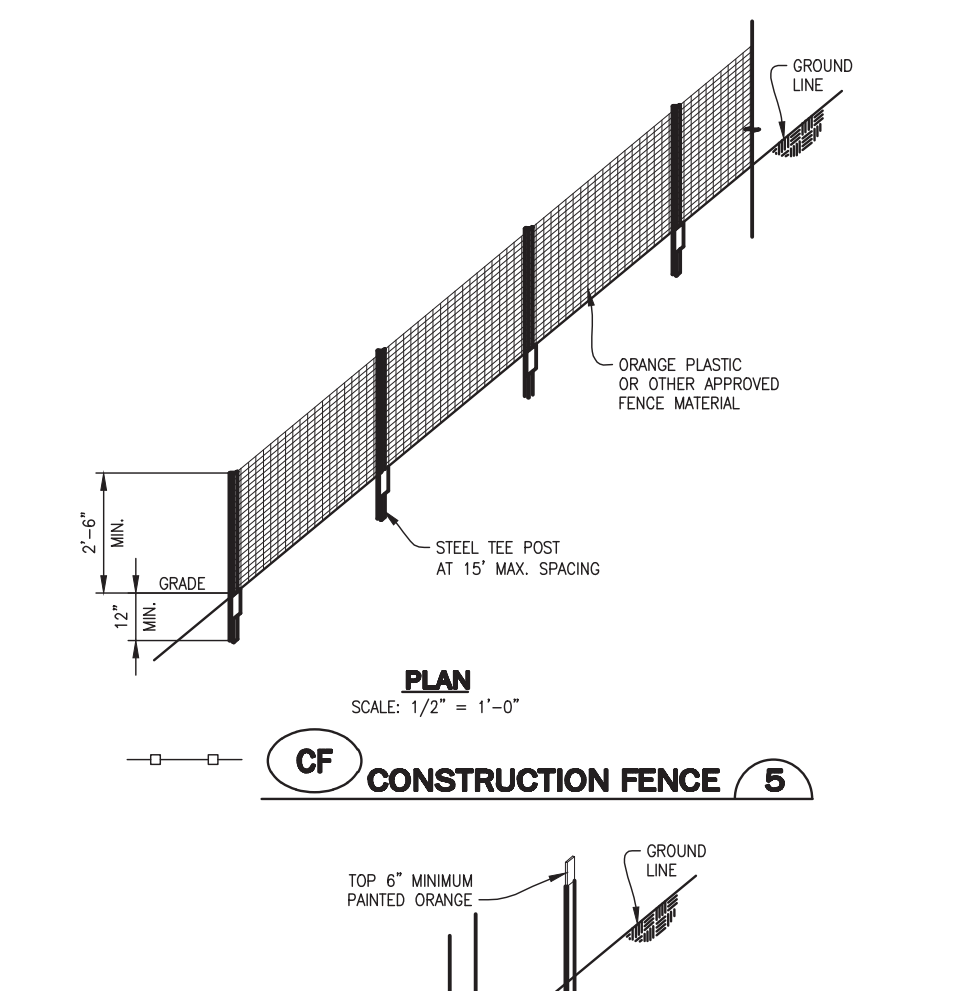
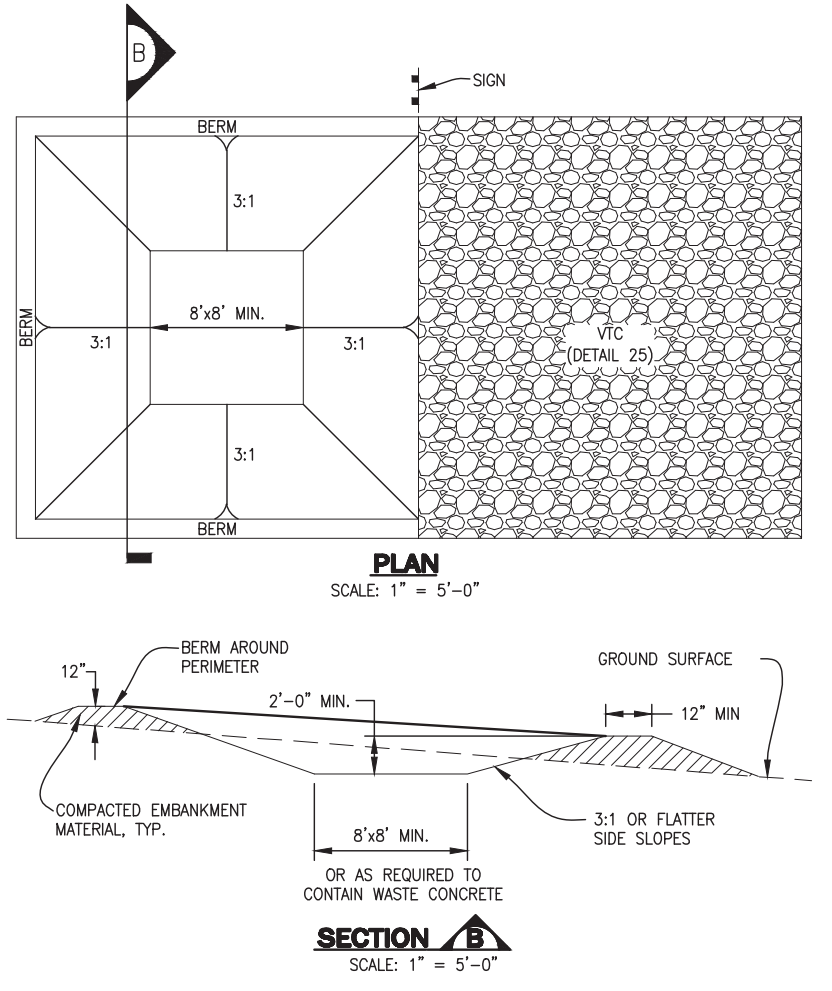
PARAMETERS	CLASS 1 COMPOST FOR COMPOST BLANKET	CLASS 1 COMPOST FOR COMPOST FILTER BERM
MINIMUM STABILITY INDICATOR	STABLE TO VERY STABLE	STABLE TO VERY STABLE
SOLUBLE SALTS	MAXIMUM 5mmhos/cm	MAXIMUM 5mmhos/cm
pH	6.0 - 8.0	6.0 - 8.0
AS INDEX	> 10	> 10
MATURITY INDICATOR EXPRESSED AS AMMONIA N/ NITRATE N RATIO	< 4	< 4
MATURITY INDICATOR EXPRESSED AS CARBON TO NITROGEN RATIO	20:1	20:1
MATURITY INDICATOR EXPRESSED AS MOISTURE CONTENT	YES/NEGATIVE RESULT	YES/NEGATIVE RESULT
TESTED FOR CLOSTRIDIA	30-60 %	30-60 %
MATURITY INDICATOR EXPRESSED AS ORGANIC MATTER CONTENT	25-45 % OF DRY WEIGHT	25-45 % OF DRY WEIGHT
TESTED FOR CLOSTRIDIA	1" (25mm) SOE TO 100% PASSING	1" (25mm) SOE TO 100% PASSING
MOISTURE CONTENT	2" (50mm) SOE TO 100% PASSING	2" (50mm) SOE TO 100% PASSING
ORGANIC MATTER CONTENT	3/8" (9.5mm) SOE TO 60% PASSING	3/8" (9.5mm) SOE TO 60% PASSING
PARTICLE SIZE DISTRIBUTION	1/2" (12.5mm) SOE TO 60% PASSING	1/2" (12.5mm) SOE TO 60% PASSING
MINIMUM MANUFACTURING/PRODUCTION REQUIREMENT	MUST BE REPORTED	MUST BE REPORTED
RISK FACTOR RELATING TO PLANT GERMINATION AND HEALTH	STA + CLOSTRIDIA	STA + CLOSTRIDIA
RISK FACTOR RELATING TO PLANT GERMINATION AND HEALTH	MUST REPORT	MUST REPORT
CHEMICAL CONTAMINANTS	MEET OR EXCEED US EPA CLASS A STANDARD, 40 CFR 503.1 TABLES 1 & 3 LEVELS	MEET OR EXCEED US EPA CLASS A STANDARD, 40 CFR 503.1 TABLES 1 & 3 LEVELS
MINIMUM MANUFACTURING/PRODUCTION REQUIREMENT	FULLY PERMITTED UNDER COLORADO DEPARTMENT OF PUBLIC HEALTH AND ENVIRONMENT, HAZARDOUS MATERIALS AND WASTE MANAGEMENT DIVISION	FULLY PERMITTED UNDER COLORADO DEPARTMENT OF PUBLIC HEALTH AND ENVIRONMENT, HAZARDOUS MATERIALS AND WASTE MANAGEMENT DIVISION
RISK FACTOR RELATING TO PLANT GERMINATION AND HEALTH	LOW	LOW

**COMPOST FILTER BERM NOTES:**

- SEE PLAN VIEW FOR LENGTH OF COMPOST FILTER BERM.
- SHALL BE APPLIED TO ALL SLOPES REQUIRING A COMPOST BLANKET AT 15' INTERVALS.
- FILTER BERMS SHALL RUN PARALLEL TO THE CONTOUR.
- FILTER BERMS SHALL BE A MINIMUM OF 1' H x 2' W.
- SOIL PREPARATION SHALL BE COMPLETE PER THE SPECIFICATIONS OUTLINED IN THESE CRITERIA PRIOR TO APPLICATION.
- WHEN TURF GRASS FINISH IS NOT DESIRED, SURFACE ROUGHENING ON SLOPES SHALL TAKE PLACE PRIOR TO APPLICATION.
- SEEDING SHALL BE DRILLED BEFORE THE APPLICATION OF COMPOST OR SEED MAY BE COMBINED AND BLOWN WITH THE PNEUMATIC BLOWER.
- THE RECOMMENDED INSPECTION FREQUENCY IS WEEKLY, DURING AND AFTER ANY STORM EVENT.
- COMPOST USED IN THE APPLICATION OF THE COMPOST BLANKET SHALL BE A CLASS 1 COMPOST AS DEFINED BY THE FOLLOWING PHYSICAL, CHEMICAL, AND BIOLOGICAL PARAMETERS:

**COMPOST FILTER BERM NOTES:**

- SEE PLAN VIEW FOR LENGTH OF COMPOST FILTER BERM.
- SHALL BE APPLIED TO ALL SLOPES REQUIRING A COMPOST BLANKET AT 15' INTERVALS.
- FILTER BERMS SHALL RUN PARALLEL TO THE CONTOUR.
- FILTER BERMS SHALL BE A MINIMUM OF 1' H x 2' W.
- SOIL PREPARATION SHALL BE COMPLETE PER THE SPECIFICATIONS OUTLINED IN THESE CRITERIA PRIOR TO APPLICATION.
- WHEN TURF GRASS FINISH IS NOT DESIRED, SURFACE ROUGHENING ON SLOPES SHALL TAKE PLACE PRIOR TO APPLICATION.
- SEEDING SHALL BE DRILLED BEFORE THE APPLICATION OF COMPOST OR SEED MAY BE COMBINED AND BLOWN WITH THE PNEUMATIC BLOWER.
- THE RECOMMENDED INSPECTION FREQUENCY IS WEEKLY, DURING AND AFTER ANY STORM EVENT.
- COMPOST USED IN THE APPLICATION OF THE COMPOST BLANKET SHALL BE A CLASS 1 COMPOST AS DEFINED BY THE FOLLOWING PHYSICAL, CHEMICAL, AND BIOLOGICAL PARAMETERS:



**TABLE 1. RIPRAP GRADATIONS**

RIPRAP TYPE	ESS MEAN STONE SIZE (INCHES)	% OF MATERIAL SMALLER THAN TYPICAL STONE	TYPICAL STONE EQUIVALENT DIAMETER (INCHES)	WEIGHT (TONS)
VL	6	70 - 100	12	85
		50 - 70	9	35
		30 - 50	6	10
L	9	70 - 100	15	160
		50 - 70	12	85
		30 - 50	10	35
M	12	70 - 100	21	440
		50 - 70	18	275
		30 - 50	12	100
H	18	100	30	1280
		50 - 70	24	650
		2 - 10	6	10
WH	24	100	42	3500
		50 - 70	33	1700
		30 - 50	24	900

**TABLE 2. RIPRAP BEDDING**

SEIVE SIZE	MASS PERCENT PASSING SQUARE MESH SIEVES
CLASS A	
3"	100
1 1/2"	20 - 90
3/4"	0 - 15
NO. 200	0 - 3

**TABLE 3. 1 1/2" CRUSHED ROCK**

SEIVE SIZE	MASS PERCENT PASSING SQUARE MESH SIEVES
NO. 4	
1/2"	100
1 1/2"	90 - 100
1"	20 - 55
3/4"	0 - 15
3/8"	0 - 5

NO.	REVISION	DATE
1	DOUGLAS COUNTY REISSUE	1/17

Sheet Revisions

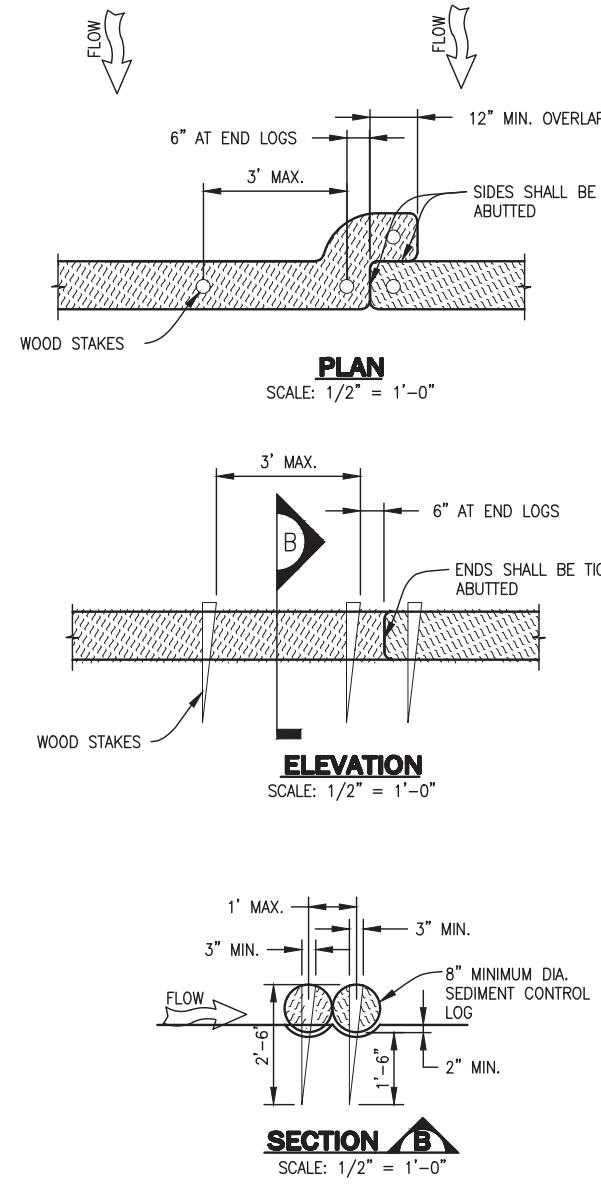
NOTE: SCALES SHOWN ARE FOR 24"x36" SHEETS; ADJUST ACCORDINGLY FOR 11"x17" SHEETS.



# GESC GRADING, EROSION, AND SEDIMENT CONTROL

# GESC PLAN STANDARD NOTES AND DETAILS SHEET 1 OF 3

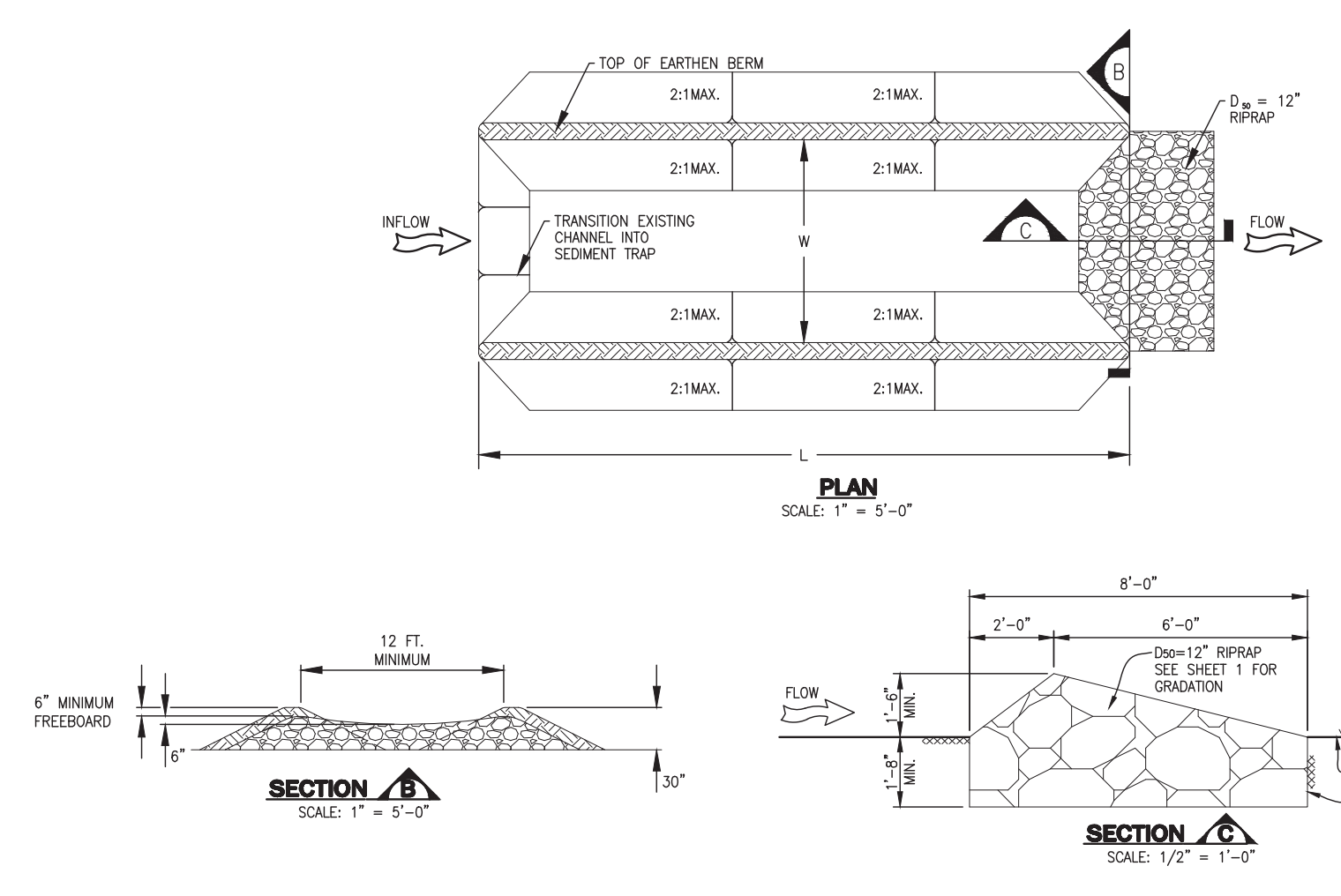




- SEDIMENT CONTROL LOG INSTALLATION NOTES**
- SEE PLAN VIEW FOR:
    - LOCATION AND LENGTH OF SEDIMENT CONTROL LOG.
  - SEDIMENT CONTROL LOGS INDICATED ON INITIAL GESC PLAN SHALL BE INSTALLED PRIOR TO ANY LAND-DISTURBING ACTIVITIES.
  - SEDIMENT CONTROL LOGS SHALL CONSIST OF STRAW, COMPOST, EXCESSOR, OR COCONUT FIBER.
  - NOT FOR USE IN CONCENTRATED FLOW AREAS.
  - THE SEDIMENT CONTROL LOG SHALL BE TRENCHED INTO THE GROUND A MINIMUM OF 2\".

- SEDIMENT CONTROL LOG MAINTENANCE NOTES**
- THE RECOMMENDED INSPECTION FREQUENCY FOR SEDIMENT CONTROL LOGS IS DAILY, DURING AND AFTER ANY STORM EVENT AND MAKE REPAIRS OR CLEAN OUT UPSTREAM SEDIMENT AS NECESSARY.
  - SEDIMENT ACCUMULATED UPSTREAM OF SEDIMENT CONTROL LOGS SHALL BE REMOVED WHEN THE UPSTREAM SEDIMENT DEPTH IS WITHIN 3/4 THE HEIGHT OF THE CREST OF LOG.
  - SEDIMENT CONTROL LOGS SHALL REMAIN IN PLACE UNTIL THE VEGETATIVE COVER IS APPROVED BY THE EROSION CONTROL INSPECTOR. IF ANY DISTURBED AREA EXISTS AFTER REMOVAL, IT SHALL BE DRILL SEEDED AND CRIMP MULCHED OR OTHERWISE STABILIZED IN A MANNER APPROVED BY THE COUNTY.

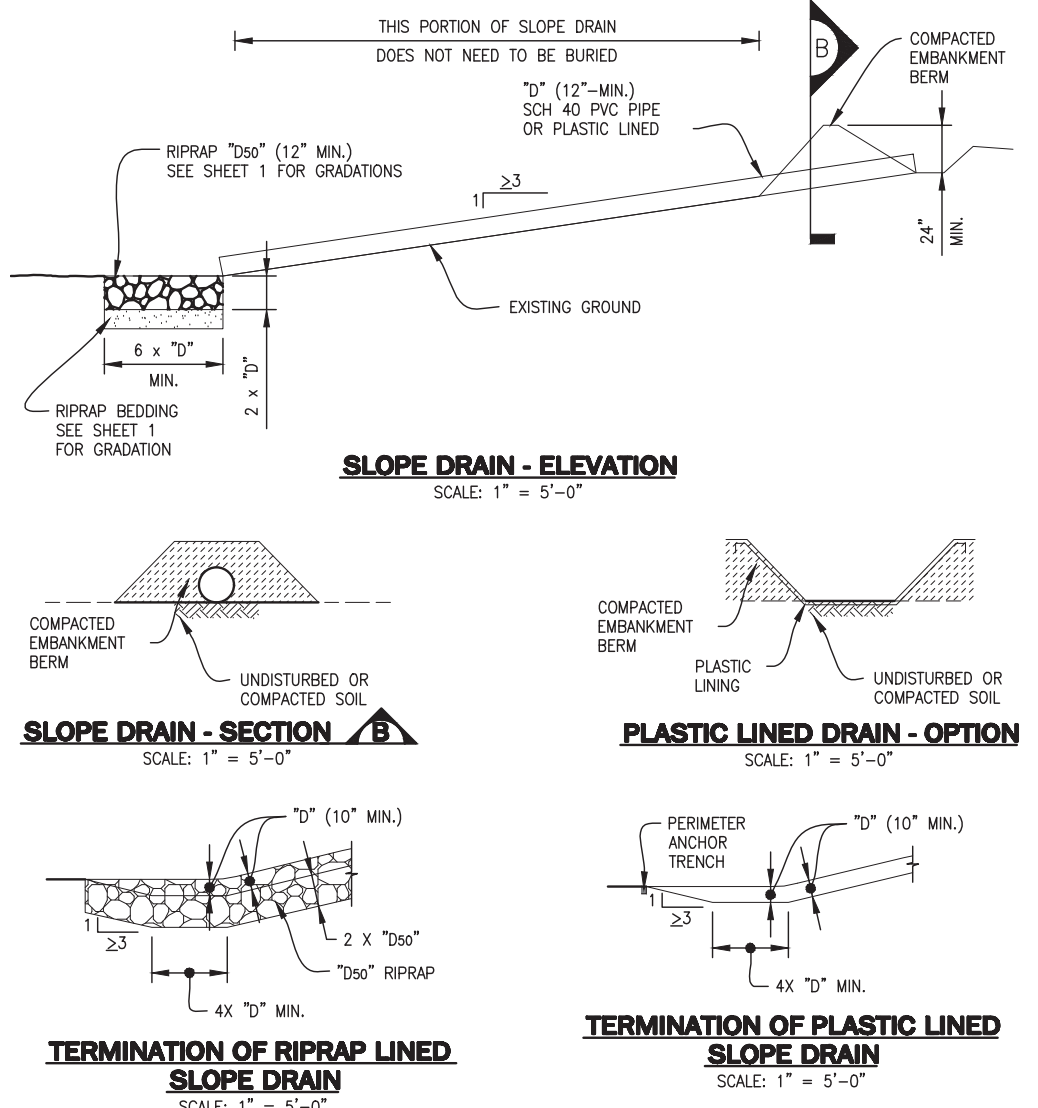
**SCL SEDIMENT CONTROL LOG 16**



- SEDIMENT TRAP INSTALLATION NOTES**
- SEE PLAN VIEW FOR:
    - LOCATION, LENGTH AND WIDTH OF SEDIMENT TRAP.
  - SEDIMENT TRAPS INDICATED ON INITIAL GESC PLAN SHALL BE INSTALLED PRIOR TO ANY LAND-DISTURBING ACTIVITIES.
  - SEDIMENT TRAP BERM SHALL BE CONSTRUCTED FROM MATERIAL FROM EXCAVATION, THE BERM SHALL BE COMPACTED TO 90% OF THE MAXIMUM DENSITY IN ACCORDANCE WITH ASTM D698.
  - RRRAP OUTLET SHALL BE CONSTRUCTED WITH D<sub>90</sub> = 12\" RRRRAP WITH A MINIMUM OVERFLOW OF 6\".
  - THE TOP OF THE EARTHEN BERM SHALL BE A MINIMUM OF 6\" HIGHER THAN THE TOP OF THE RRRRAP OUTLET STRUCTURE.
  - THE ENDS OF THE RRRRAP OUTLET STRUCTURE SHALL BE MINIMUM OF 6\" HIGHER THAN THE CENTER OF THE OUTLET STRUCTURE.

- SEDIMENT TRAP MAINTENANCE NOTES**
- THE RECOMMENDED INSPECTION FREQUENCY FOR SEDIMENT TRAPS IS WEEKLY, DURING AND AFTER ANY STORM EVENT AND MAKE REPAIRS OR CLEAN OUT UPSTREAM SEDIMENT AS NECESSARY.
  - SEDIMENT ACCUMULATED UPSTREAM OF RRRRAP SHALL BE REMOVED WHEN THE UPSTREAM SEDIMENT DEPTH IS WITHIN 3/4 THE HEIGHT OF THE RRRRAP OUTLET STRUCTURE.
  - SEDIMENT TRAPS SHALL REMAIN IN PLACE UNTIL THE UPSTREAM DISTURBED AREA IS STABILIZED AND GRASS COVERAGE IS APPROVED BY THE COUNTY.
  - WHEN SEDIMENT TRAPS ARE REMOVED THE DISTURBED AREA SHALL BE DRILL SEEDED AND CRIMP MULCHED OR STABILIZED IN A MANNER APPROVED BY THE COUNTY.

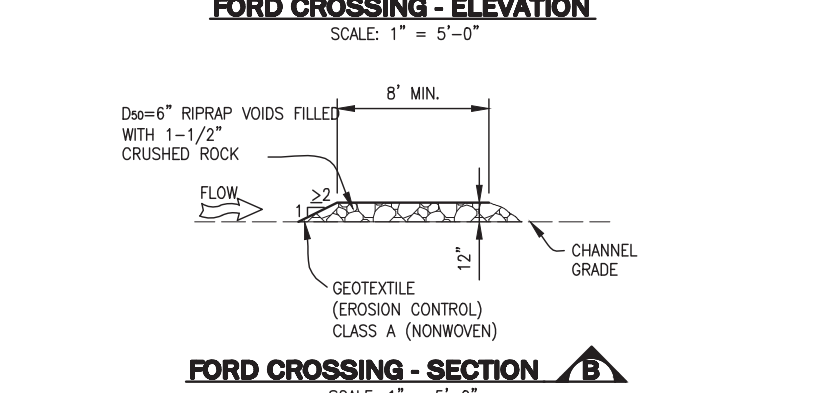
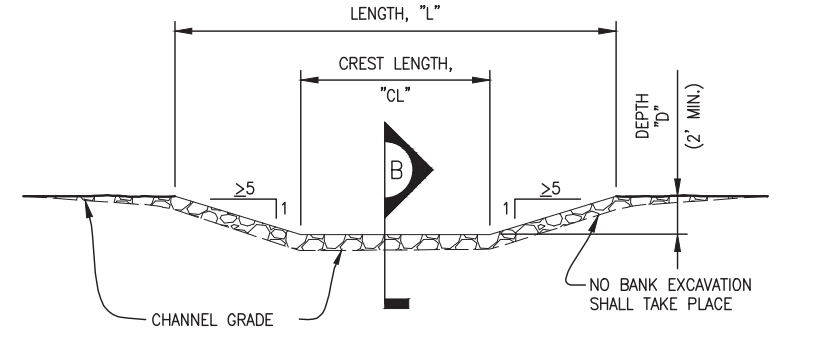
**ST SEDIMENT TRAP 17**



- SLOPE DRAIN INSTALLATION NOTES**
- SEE PLAN VIEW FOR:
    - LOCATION AND LENGTH OF SLOPE DRAIN.
    - PIPE DIAMETER, \"D\", AND RRRRAP SIZE, \"D<sub>90</sub>\".
  - SLOPE DRAIN DIMENSIONS SHALL BE CONSIDERED MINIMUM DIMENSIONS. CONTRACTOR MAY ELECT TO INSTALL LARGER FACILITIES. ANY DAMAGE TO SLOPE DRAIN DURING RUNOFF EVENTS SHALL BE THE CONTRACTOR'S RESPONSIBILITY.
  - SLOPE DRAINS INDICATED ON INITIAL GESC PLAN SHALL BE INSTALLED PRIOR TO ANY UPSTREAM LAND-DISTURBING ACTIVITIES.
  - FOR TEMPORARY SLOPE DRAINS, PIPE MAY BE INSTALLED ON TOP OF SLOPE; HOWEVER, 12\" MIN. COVER AT TOP OF SLOPE SHALL BE PROVIDED.
  - A RRRRAP PAD SHALL BE PLACED AT THE OUTFALL OF THE SLOPE DRAIN.

- SLOPE DRAIN MAINTENANCE NOTES**
- THE RECOMMENDED INSPECTION FREQUENCY FOR SLOPE DRAINS IS WEEKLY, DURING AND AFTER ANY STORM EVENT AND MAKE REPAIRS AS NECESSARY.
  - TEMPORARY SLOPE DRAINS ARE TO REMAIN IN PLACE UNTIL NO LONGER NEEDED, BUT SHALL BE REMOVED PRIOR TO THE END OF CONSTRUCTION, WHEN SLOPE DRAINS ARE REMOVED, THE DISTURBED AREA SHALL BE DRILL SEEDED AND CRIMP MULCHED OR OTHERWISE STABILIZED IN A MANNER APPROVED BY THE COUNTY.

**SD SLOPE DRAIN 22**



- TEMPORARY STREAM CROSSING INSTALLATION NOTES**
- SEE PLAN VIEW FOR:
    - LOCATIONS OF TEMPORARY STREAM CROSSING.
    - STREAM CROSSING TYPE (FORD OR CULVERT).
    - FOR FORD CROSSING: LENGTH, \"L\", CREST LENGTH, \"C<sub>L</sub>\", AND DEPTH, \"D\".
    - FOR CULVERT CROSSING: LENGTH, \"L\", CREST LENGTH, \"C<sub>L</sub>\", CREST HEIGHT, \"H\", DEPTH, \"D\", CULVERT DIAMETER, \"C<sub>D</sub>\", AND NUMBER, TYPE AND CLASS OR GAUGE OF CULVERTS.
  - TEMPORARY STREAM CROSSING DIMENSIONS, D<sub>50</sub>, AND NUMBER OF CULVERTS INDICATED (FOR CULVERT CROSSING) SHALL BE CONSIDERED MINIMUM DIMENSIONS. ENGINEER MAY ELECT TO INSTALL LARGER FACILITIES. ANY DAMAGE TO STREAM CROSSING OR EXISTING STREAM CHANNEL DURING BASEFLOW OR FLOOD EVENTS SHALL BE THE CONTRACTOR'S RESPONSIBILITY.
  - SEE ROCK AND RRRRAP GRADATIONS FOR RRRRAP AND 1-1/2\" CRUSHED ROCK GRADATIONS.
  - FOR A TEMPORARY STREAM CROSSING THAT WILL CARRY LOADS, THE TEMPORARY STREAM CROSSING MUST BE DESIGNED BY THE DESIGN ENGINEER.

- TEMPORARY STREAM CROSSING MAINTENANCE NOTES**
- THE RECOMMENDED INSPECTION FREQUENCY FOR TEMPORARY STREAM CROSSINGS IS WEEKLY, DURING AND AFTER ANY STORM EVENT AND MAKE REPAIRS OR CLEAN OUT UPSTREAM SEDIMENT AS NECESSARY.
  - SEDIMENT ACCUMULATED UPSTREAM OF TEMPORARY STREAM CROSSINGS SHALL BE REMOVED WHEN THE SEDIMENT DEPTH UPSTREAM OF CROSSING IS WITHIN 6-INCHES OF THE CREST (FOR FORD CROSSING) OR GREATER THAN AN AVERAGE DEPTH OF 12-INCHES (CULVERT CROSSING).
  - TEMPORARY STREAM CROSSINGS ARE TO REMAIN IN PLACE UNTIL NO LONGER NEEDED, BUT SHALL BE REMOVED PRIOR TO THE END OF CONSTRUCTION.
  - WHEN TEMPORARY STREAM CROSSINGS ARE REMOVED, THE DISTURBED AREA SHALL BE DRILL SEEDED AND CRIMP MULCHED AND COVERED WITH EROSION CONTROL BLANKET OR OTHERWISE STABILIZED IN A MANNER APPROVED BY THE COUNTY.

**TSC TEMPORARY STREAM CROSSING 23**

- SEEDING AND MULCHING INSTALLATION NOTES**
- SEE PLAN VIEW FOR:
    - AREA OF SEEDING AND MULCHING.
    - TYPE OF SEED MIX (PERMANENT, TEMPORARY, OR LOW-GROWTH).
  - ALL BRANDS FURNISHED SHALL BE FREE FROM SUCH NOXIOUS WEEDS AS RUSSIAN OR CANADIAN THISTLE, COARSE FESCUE, EUROPEAN BIRNWEED, JOHNSON GRASS, KNAF WEED AND LEAFY SURGE.
  - THE SEEDER SHALL FURNISH TO THE CONTRACTOR A SIGNED STATEMENT CERTIFYING THAT THE SEED FURNISHED IS FROM A LOT THAT HAS BEEN TESTED BY A RECORDED LABORATORY, SEED WHICH HAS BECOME WET, MOLDY, OR OTHERWISE DAMAGED IN TRANSIT OR IN STORAGE WILL NOT BE ACCEPTABLE. SEED TICKETS SHALL BE PROVIDED TO DOUGLAS COUNTY UPON REQUEST.
  - DRILL SEEDING MIX SHALL CONFORM TO THE TABLE ON THE RIGHT.
  - IF THE SEED AVAILABLE ON THE MARKET DOES NOT MEET THE MINIMUM PURITY AND GERMINATION PERCENTAGES SPECIFIED, THE SUBCONTRACTOR MUST COMPENSATE FOR A LESSEY PERCENTAGE OF PURITY OR GERMINATION BY FURNISHING SUFFICIENT ADDITIONAL SEED TO EQUAL THE SPECIFIED PRODUCT. THE TAGS FROM THE SEED MIXES MUST BE SUPPLIED TO THE CONTRACTOR AND FORWARDED TO THE DOUGLAS COUNTY EROSION CONTROL INSPECTOR.
  - THE FORMULA USED FOR DETERMINING THE QUANTITY OF PURE LIVE SEED (PLS) SHALL BE (POUNDS OF SEED) x (PURITY) x (GERMINATION) = POUNDS OF PURE LIVE SEED (PLS).
  - PERMANENT SEED MIX SHALL BE USED UNLESS OTHERWISE APPROVED BY THE COUNTY.
  - ALL AREAS TO BE SEEDED AND MULCHED SHALL HAVE NATIVE TOPSOIL OR APPROVED SOIL AMENDMENTS SPREAD TO A DEPTH OF AT LEAST 6 INCHES (LOOSE DEPTH), HAUL ROADS AND OTHER COMPACTED AREAS SHALL BE LOOSENEED TO A DEPTH OF 8 INCHES PRIOR TO SPREADING TOPSOIL.
  - SOIL IS TO BE THOROUGHLY LOOSENEED (TILLED) TO A DEPTH OF AT LEAST 6 INCHES PRIOR TO SEEDING. THE TOP 6 INCHES OF THE SEED BED SHALL BE FREE OF ROCKS GREATER THAN 4 INCHES AND SOIL CLOSURE GREATER THAN 2 INCHES. SEEDING OVER ANY COMPACTED AREAS THAT HAVEN'T BEEN THOROUGHLY LOOSENEED SHALL BE REJECTED.
  - SEED IS TO BE APPLIED USING A MECHANICAL DRILL TO A DEPTH NOT LESS THAN 1/4 INCH AND NOT MORE THAN 3/4 INCH. ROW SPACING SHALL BE NO MORE THAN 6 INCHES. MATERIAL USED FOR MULCH SHALL CONSIST OF LONG-STRANDED STRAW AT LEAST 50 PERCENT OF THE MULCH BY WEIGHT. SHALL BE 10 INCHES OR MORE IN LENGTH. MULCH SHALL BE APPLIED AND MECHANICALLY ANCHORED TO A DEPTH OF AT LEAST 2 INCHES. MULCH SHALL BE APPLIED AT A RATE OF 400 LB. OF STRAW PER ACRE.
  - IF THE PERMITS DEMONSTRATES TO THE COUNTY THAT IT IS NOT POSSIBLE TO DRILL SEED, SEED IS TO BE UNIFORMLY BROADCAST AT TWO TIMES THE DRILLED RATE, THEN LIGHTLY HARROWED TO PROVIDE A SEED DEPTH OF APPROXIMATELY 1/4 INCH, THEN ROLLED TO COMPACT, THEN MULCHED AS SPECIFIED ABOVE.
  - SEEDING AND MULCHING SHALL BE COMPLETED WITHIN 30 DAYS OF INITIAL EXPOSURE OR 14 DAYS AFTER GRASSING IS SUBSTANTIALLY COMPLETE IN A GIVEN AREA (AS DEFINED BY THE COUNTY). THIS MAY REQUIRE MULTIPLE MOBILIZATIONS FOR SEEDING AND MULCHING.
  - MULCH SHALL BE APPLIED WITHIN 24-HOURS OF SEEDING.
  - TACKIFIER SHOULD BE UTILIZED TO HELP PREVENT STRAW DISPLACEMENT.

- SEEDING AND MULCHING MAINTENANCE NOTES**
- SEEDED AND MULCHED AREAS SHALL BE INSPECTED FOR REQUIRED COVERAGE MONTHLY FOR A PERIOD OF TWO YEARS FOLLOWING INITIAL SEEDING, BERSING AND RE-SEEDING AND MULCHING SHALL BE UNDERTAKEN AFTER THE FIRST GROWING SEASON FOR ANY AREAS FAILING TO MEET THE REQUIRED COVERAGE.
  - REQUIRED COVERAGE FOR STANDARD, OPEN SPACE AND LOW GROWTH SEED MIXES SHALL BE DEFINED AS FOLLOWS:
    - THREE (3) PLANTS PER SQUARE FOOT WITH A MINIMUM HEIGHT OF 3 INCHES. THE 3 PLANTS PER SQUARE FOOT SHALL BE OF THE VARIETY AND SPECIES FOUND IN THE DOUGLAS COUNTY-APPROVED MIX.
    - NO BARE AREAS LARGER THAN 4 SQUARE FEET (TWO-FEET BY TWO-FEET OR EQUIVALENT).
    - FREE OF ERODED AREAS.
    - FREE FROM INFESTATION OF NOXIOUS WEEDS IN ACCORDANCE WITH SECTION 6.4 OF THE GESC 4. MANUAL.
  - REQUIRED COVERAGE FOR TURF GRASS AREAS SHALL BE DEFINED AS FOLLOWS:
    - AT LEAST 80% VEGETATIVE COVER OF GRASS SPECIES PLANTED.
    - NO BARE AREAS LARGER THAN 4 SQUARE FEET (TWO-FEET BY TWO-FEET OR EQUIVALENT).
    - FREE OF ERODED AREAS.
    - FREE FROM INFESTATION OF NOXIOUS WEEDS IN ACCORDANCE WITH SECTION 6.4 OF THE GESC 4. MANUAL.
  - RIIL AND GULLY EROSION SHALL BE FILLED WITH TOPSOIL PRIOR TO RESEEDING. THE RESEEDING METHOD SHALL BE APPROVED BY THE COUNTY.

**SM SEEDING AND MULCHING 18**

**DOUGLAS COUNTY PERMANENT DRILL SEEDING MIX**

SEEDS	VARIETY	NOTES	#. IN MIX	POUNDS OF PLS PER ACRE
BIG BLUESTEM	KAW	PNWS	10	1.1
YELLOW INDIANGRASS	CHEYENNE	PNWS	10	1
SMITHCRASS	BLACKWELL	PNWS	10	0.4
SEEDSATS GRAMA	WAGHUN	PNWB	10	0.9
WESTERN WHEATGRASS	ARRIBA	PNCS	10	1.6
BLUE GRAMA	HACHTA	PNWB	10	0.3
THOXSPIKE WHEATGRASS	CRITANA	PNCS	10	1
PARAKE SARDREED	GOCHEN	PNWS	10	0.7
GREEN NEEDLEGRASS	LOOFORM	PNGB	10	1
SLENDER WHEATGRASS	PRROR	PNGB	5	0.6
STREAMBANK WHEATGRASS	SOGAR	PNCS	5	0.6
			TOTAL	9.2

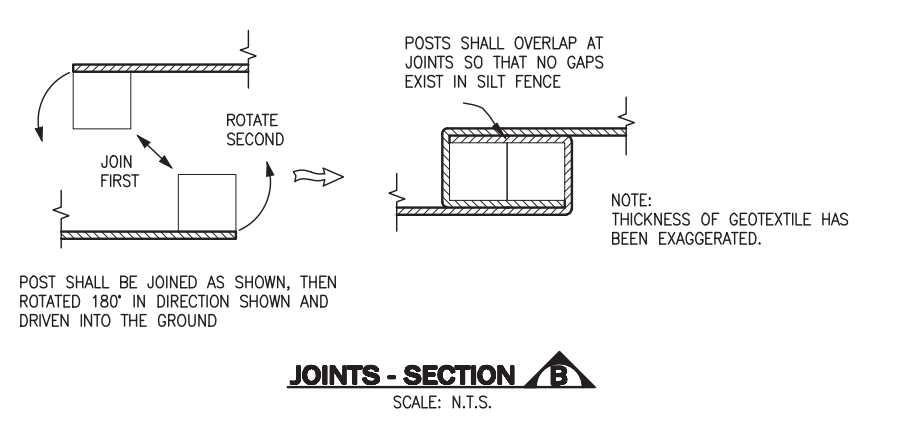
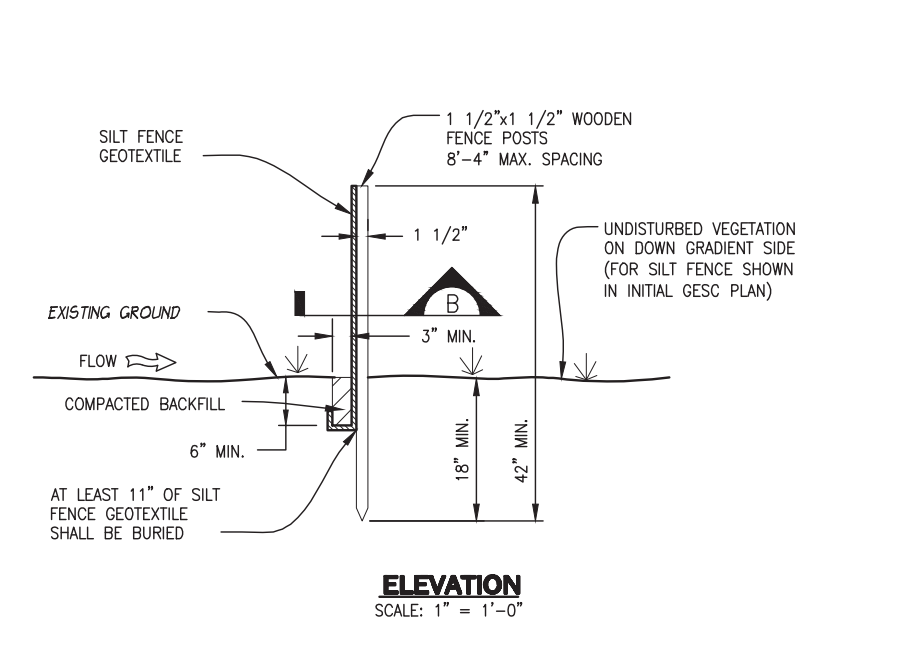
**DOUGLAS COUNTY TEMPORARY DRILL SEEDING MIX**

SEEDS	VARIETY	NOTES	#. IN MIX	POUNDS OF PLS PER ACRE
SMOOTH BROMEGRASS	LINDOOL	PNCS	30	3.9
INTERMEDIATE WHEATGRASS	OWIE	PNCS	30	4.5
PURBESCENT WHEATGRASS	LUNA	PNCS	30	4.2
ANNUAL RYEGRASS	N/A	AKCB	10	0.8
			TOTAL	13.4

**DOUGLAS COUNTY LOW-GROWTH DRILL SEEDING MIX**

SEEDS	VARIETY	NOTES	#. IN MIX	POUNDS OF PLS PER ACRE
BUFFALOGRASS	TEXOKA	PNWS	20	3.2
BLUE GRAMA	HACHTA	PNWB	20	0.6
WESTERN WHEATGRASS	ARRIBA	PNCS	20	3.2
SEEDSATS GRAMA	WAGHUN	PNWB	20	1.8
THOXSPIKE WHEATGRASS	CRITANA	PNCS	10	1
STREAMBANK WHEATGRASS	SOGAR	PNCS	10	1.2
			TOTAL	11.0

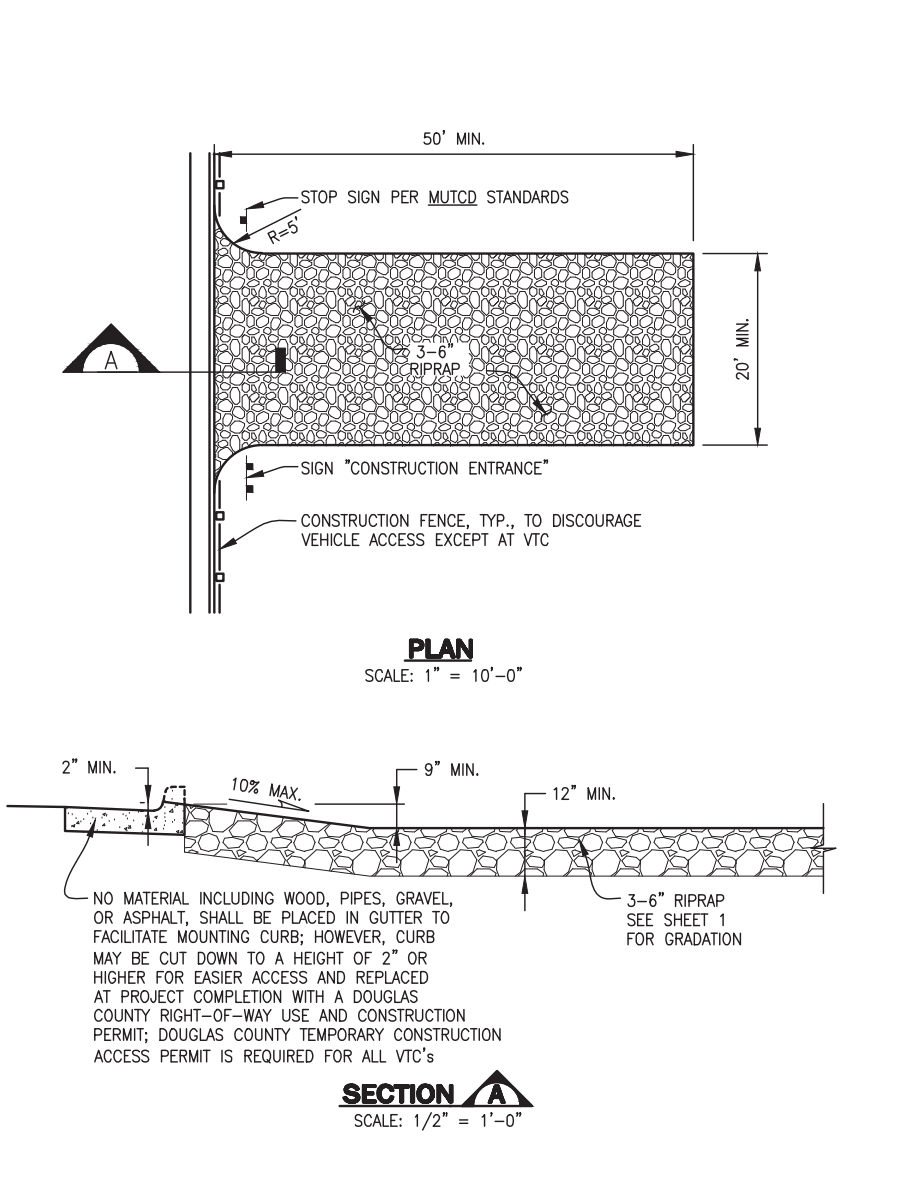
NOTES:  
 P=PERENNIAL  
 A=ANNUAL  
 N=NATIVE  
 W=WINTER SEASON  
 C=COOL SEASON  
 S=SOIL FORMER  
 B=BLUNTCORNS



- SILT FENCE INSTALLATION NOTES**
- SEE PLAN VIEW FOR:
    - LOCATION AND LENGTH OF FENCE.
  - ANCHOR TRENCH SHALL BE EXCAVATED WITH TRENCHER, OR WITH SILT FENCE INSTALLATION MACHINE, NO ROAD GRADERS, BACKHOES, ETC. SHALL BE USED. TRENCH SHALL BE COMPACTED BY HAND, WITH \"LUMPING JACK\", OR BY WHEEL ROLLING. COMPACTION SHALL BE SUCH THAT SILT FENCE RESISTS BEING PULLED OUT OF ANCHOR TRENCH BY HAND.
  - SILT FENCE GEOTEXTILE SHALL MEET THE FOLLOWING REQUIREMENTS:
    - 6- TO 12- OUNCES PER MINUTE PER SQUARE FOOT FLOW CAPACITY.
    - 90 LB. TENSILE STRENGTH PER ASTM D4422.
    - 1/4\" DESIGN AT 500 PSI MIN. TENSILE STRENGTH RETAINED PER ASTM D4355.
  - SILT FENCE INDICATED ON INITIAL GESC PLAN SHALL BE INSTALLED PRIOR TO ANY LAND-DISTURBING ACTIVITIES.

- SILT FENCE MAINTENANCE NOTES**
- THE RECOMMENDED INSPECTION FREQUENCY FOR SILT FENCE IS DAILY, DURING AND AFTER ANY STORM EVENT AND MAKE REPAIRS OR CLEAN OUT UPSTREAM SEDIMENT AS NECESSARY.
  - SEDIMENT ACCUMULATED UPSTREAM OF SILT FENCE SHALL BE REMOVED WHEN THE UPSTREAM SEDIMENT REACHES A DEPTH OF 6-INCHES.
  - SILT FENCE SHALL BE REMOVED WHEN THE UPSTREAM DISTURBED AREA IS STABILIZED AND GRASS COVER IS APPROVED BY THE COUNTY. IF ANY DISTURBED AREA EXISTS AFTER REMOVAL, IT SHALL BE SEEDED AND MULCHED OR OTHERWISE STABILIZED IN A MANNER APPROVED BY THE COUNTY.

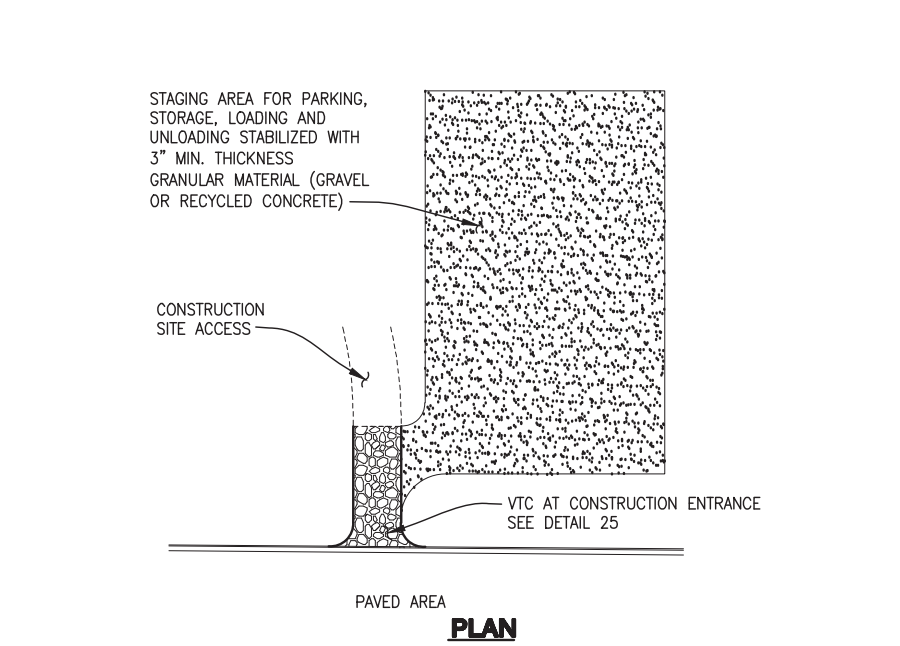
**SF SILT FENCE 19**



- VEHICLE TRACKING CONTROL INSTALLATION NOTES**
- VEHICLE TRACKING CONTROL PADS SHALL BE INSTALLED AT EVERY ACCESS POINT TO SITE.
  - VEHICLE TRACKING CONTROL PADS SHALL CONSIST OF HARD, DENSE, DURABLE STONE, ANGULAR IN SHAPE AND RESISTANT TO WEATHERING. ROUNDED STONE OR BOULDERS WILL NOT BE ACCEPTABLE. THE STONES SHALL BE 3\" WITH A MAXIMUM SIZE OF 4\". THE STONE SHALL HAVE A SPECIFIC GRAVITY OF AT LEAST 2.6. CONTROL OF GRADATION WILL BE BY VISUAL INSPECTIONS.
  - ANY CRACKED OR DAMAGED CURB AND GUTTER AND SIDEWALK SHALL BE REPLACED BY PERMITS.
  - A DOUGLAS COUNTY TEMPORARY CONSTRUCTION ACCESS PERMIT IS REQUIRED FOR EACH POINT ONTO DOUGLAS COUNTY ROAD.
  - A STOP SIGN INSTALLED IN ACCORDANCE WITH THE MANUAL ON UNIFORM TRAFFIC CONTROL DEVICES (MUTCD), AS AMENDED, SHALL BE INSTALLED FOR EXITING TRAFFIC AT THE VTC.

- VEHICLE TRACKING CONTROL MAINTENANCE NOTES**
- THE RECOMMENDED INSPECTION FREQUENCY FOR TERRACING IS WEEKLY, DURING AND AFTER ANY STORM EVENT AND MAKE REPAIRS OR CLEAN OUT UPSTREAM SEDIMENT AS NECESSARY.
  - ANY BILL EROSION OCCURRING ON SLOPES SHALL BE REPAIRED AND RESEEDED AND MULCHED IN ACCORDANCE WITH DETAIL 18.

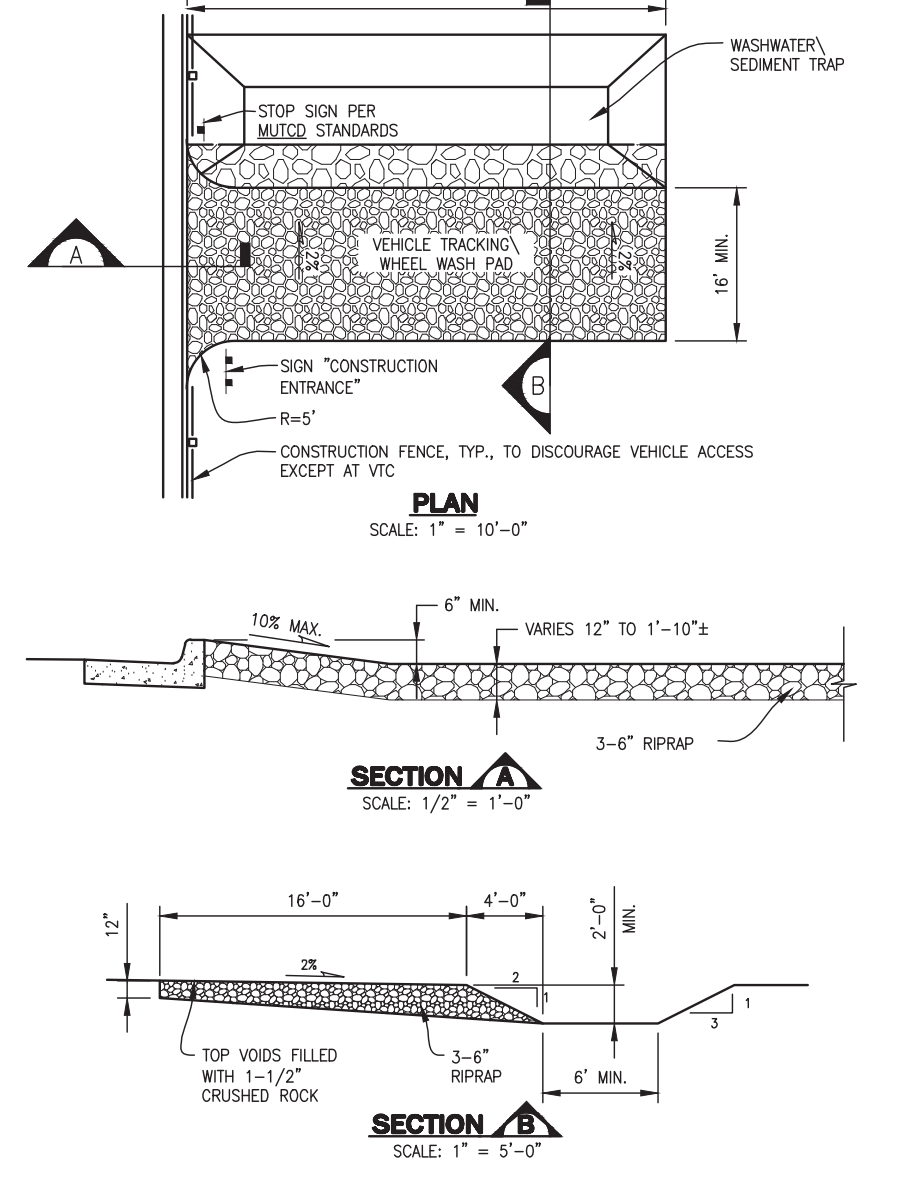
**VTC VEHICLE TRACKING CONTROL 25**



- STABILIZED STAGING AREA INSTALLATION NOTES**
- SEE PLAN VIEW FOR GENERAL LOCATION OF STAGING AREA. CONTRACTOR MAY MODIFY LOCATION AND SIZE OF STABILIZED STAGING AREA WITH COUNTY APPROVAL.
  - STABILIZED STAGING AREA SHALL BE LARGE ENOUGH TO FULLY CONTAIN PARKING, STORAGE, AND UNLOADING AND LOADING OPERATIONS.
  - IF REQUIRED BY THE COUNTY, SITE ACCESS ROADS SHALL BE STABILIZED IN THE SAME MANNER AS THE STAGING AREA.
  - STAGING AREA SHALL BE STABILIZED PRIOR TO ANY OTHER OPERATIONS ON THE SITE.
  - THE STABILIZED STAGING AREA SHALL CONSIST OF A MINIMUM OF 3\" OF GRANULAR MATERIAL (GRAVEL OR CONCRETE).

- STABILIZED STAGING AREA MAINTENANCE NOTES**
- THE RECOMMENDED INSPECTION FREQUENCY FOR THE STABILIZED STAGING AREA IS WEEKLY, DURING AND AFTER ANY STORM EVENT AND MAKE REPAIRS OR CLEAN OUT UPSTREAM SEDIMENT AS NECESSARY.
  - GESC MANAGER SHALL PROVIDE ADDITIONAL THICKNESS OF GRANULAR MATERIAL IF ANY RUTTING OCCURS OR UNDERLYING SUBGRADE BECOMES EXPOSED.
  - STABILIZED STAGING AREA SHALL BE MAINTAINED IF ANY UNIFORMITY TO CONTAIN PARKING, STORAGE, AND UNLOADING AND LOADING OPERATIONS.
  - ANY ACCUMULATED DIRT OR MUD SHALL BE REMOVED FROM THE SURFACE OF THE STABILIZED STAGING AREA.
  - THE STABILIZED STAGING AREA SHALL BE REMOVED AT THE END OF CONSTRUCTION. THE GRANULAR MATERIAL SHALL BE REMOVED OR, IF APPROVED BY THE COUNTY, USED ON SITE, AND THE AREA TOPSOILED, DRILL SEEDED AND CRIMP MULCHED OR OTHERWISE STABILIZED.

**SSA STABILIZED STAGING AREA 20**



- VEHICLE TRACKING CONTROL WITH WHEEL WASH INSTALLATION NOTES**
- ALTHOUGH NOT NORMALLY USED, THE COUNTY RESERVES THE RIGHT TO REQUIRE VEHICLE TRACKING CONTROL WITH WHEEL WASH FACILITIES AT SITES WHERE TRACKING ONTO PAVED AREAS BECOMES A EVERYDAY PROBLEM.
  - IF VEHICLE TRACKING CONTROL WITH WHEEL WASH FACILITIES ARE REQUIRED, ALL WHEELS ON SLOPE VEHICLE LEAVING THE SITE SHALL BE CLEANED OF MUD USING A PRESSURE-WASHER. THE CONTRACTOR SHALL BE RESPONSIBLE FOR OBTAINING A WATER SOURCE.
  - VEHICLE TRACKING CONTROL PADS SHALL CONSIST OF HARD, DENSE, DURABLE STONE, ANGULAR IN SHAPE AND RESISTANT TO WEATHERING. ROUNDED STONE OR BOULDERS WILL NOT BE ACCEPTABLE. THE STONES SHALL BE 3\" WITH A MAXIMUM SIZE OF 4\". THE STONE SHALL HAVE A SPECIFIC GRAVITY OF AT LEAST 2.6. CONTROL OF GRADATION WILL BE BY VISUAL INSPECTIONS.
  - ANY CRACKED OR DAMAGED CURB AND GUTTER AND SIDEWALK SHALL BE REPLACED BY CONTRACTOR.

- VEHICLE TRACKING CONTROL WITH WHEEL WASH MAINTENANCE NOTES**
- THE RECOMMENDED INSPECTION FREQUENCY FOR VEHICLE TRACKING CONTROL WITH WHEEL WASH FACILITIES IS DAILY. ACCUMULATED SEDIMENTS SHALL BE REMOVED FROM PAD SURFACE.
  - ACCUMULATED SEDIMENT IN THE WASHWATER/SEDIMENT TRAP SHALL BE REMOVED WHEN THE SEDIMENT DEPTH REACHES AN AVERAGE OF 12-INCHES.
  - VEHICLE TRACKING CONTROL WITH WHEEL WASH FACILITY SHALL BE REMOVED AT THE END OF CONSTRUCTION. THE RRRRAP MATERIAL REMOVED OR, IF APPROVED BY THE COUNTY, USED ON SITE, AND THE AREA TOPSOILED, DRILL SEEDED AND CRIMP MULCHED OR OTHERWISE STABILIZED.

**VTC WITH WHEEL WASH 26**

Sheet Revisions

NO.	REVISION	DATE
1	DOUGLAS COUNTY REISSUE	1/17

NOTE: SCALES SHOWN ARE FOR 24\"x36\" SHEETS; ADJUST ACCORDINGLY FOR 11\"x17\" SHEETS.



**GESC GRADING, EROSION, AND SEDIMENT CONTROL**

**GESC PLAN STANDARD NOTES AND DETAILS**

**SHEET 3 OF 3**