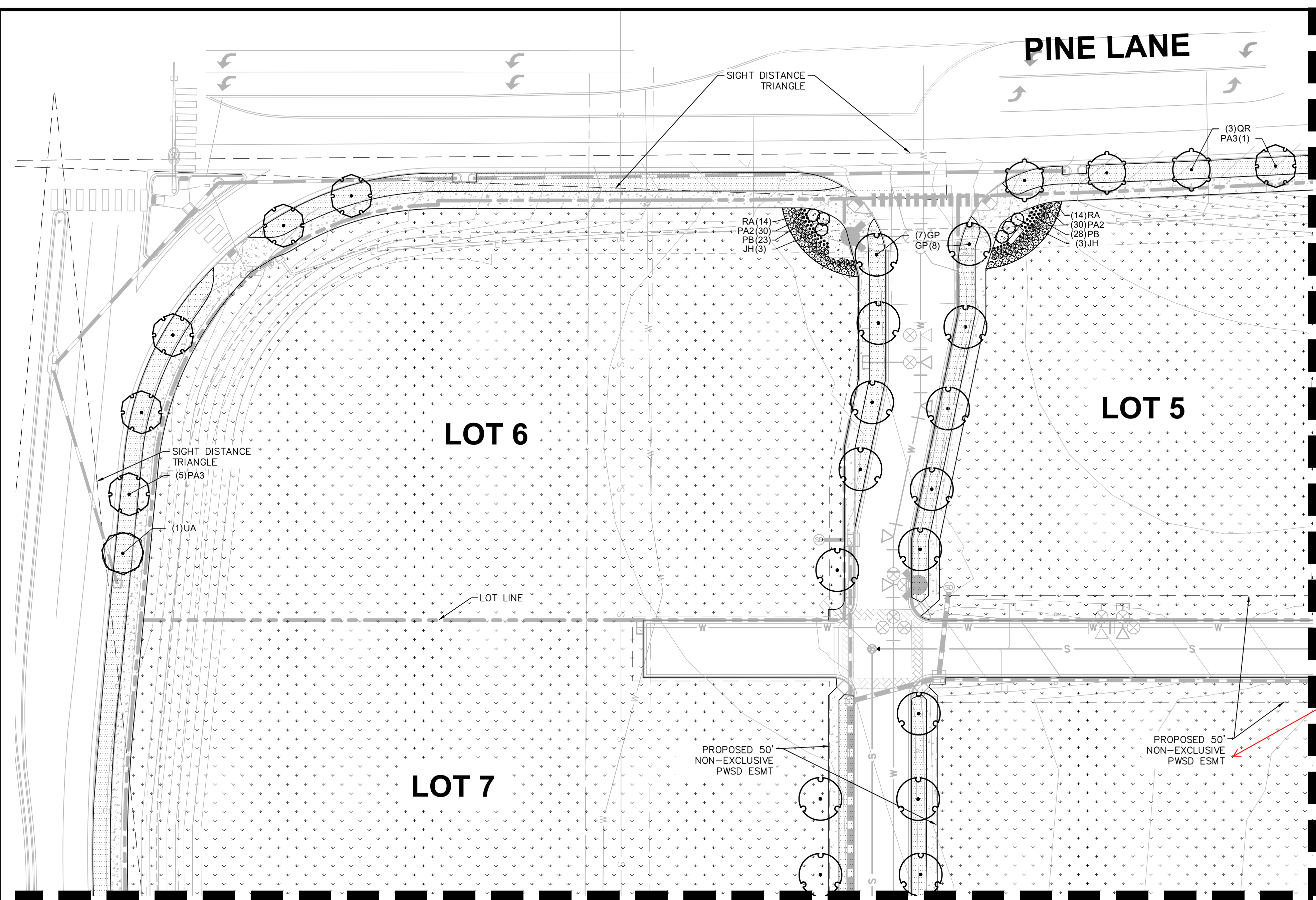


L:\parker\096502001 - revised\parker\096502001.dwg Brockwell, Nicholas 10/6/2016 10:57 AM
 THIS DOCUMENT, TOGETHER WITH THE CONCEPTS AND DESIGNS PRESENTED HEREIN, AS AN INSTRUMENT OF SERVICE IS INTENDED ONLY FOR THE SPECIFIC PERSON AND CLIENT FOR WHOM IT WAS PREPARED. REVIEW OF AND IMPROPER RELIANCE ON THIS DOCUMENT WITHOUT WRITTEN AUTHORIZATION AND ADAPTATION BY KIMLEY-HORN AND ASSOCIATES, INC. SHALL BE WITHOUT LIABILITY TO KIMLEY-HORN AND ASSOCIATES, INC.



LANDSCAPE CALCULATIONS

STREET TREES	REQUIRED	PROVIDED
1 TREE/ 40 LF	60 TREES	37 TREES*
MINIMUM SITE LANDSCAPING STANDARDS		
SITE AREA: 694,869 SF	104,109 SF	705,365 SF
15% TOTAL SITE AREA		
*23 TREES OMITTED DUE TO UTILITY / EASEMENT AND SIGHT TRIANGLE CONFLICTS		

Please identify all areas where utilities are inhibiting meeting the minimum requirements for streetscape. Identify which utility. PWS D will allow trees within 7 feet of the actual line and shrub substitutions per the code can make up for missing trees as well. Every effort must be made to meet the minimum streetscape requirements.

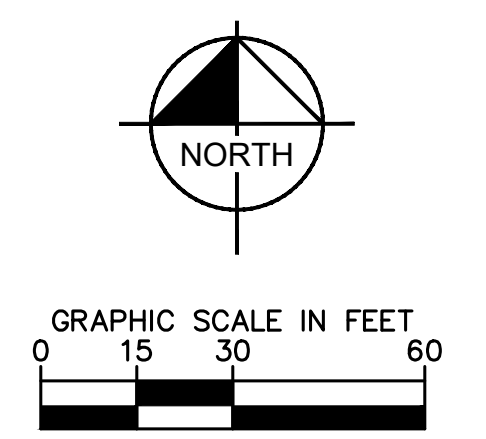
The linear length of site triangles should be deducted from the overall length relative to streetscape requirements for a tree every 40 feet. Then recalculate for the required number of streetscape trees.

Locate line, may be able to plant trees. If not, shrub substitution could help meet minimums.

PLANT SCHEDULE

TREES	CODE	BOTANICAL NAME	COMMON NAME
	GP	GINKGO BILOBA 'PRINCETON SENTRY'	PRINCETON SENTRY GINKGO
	PA3	PYRUS CALLERYANA 'ARISTOCRAT' TM	ARISTOCRAT FLOWERING PEAR
	QR	QUERCUS ROBUR	ENGLISH OAK
	TG	TILIA CORDATA 'GREENSPIRE'	GREENSPIRE LITTLELEAF LINDEN
	UA	ULMUS X 'ACCOLADE'	ACCOLADE ELM
SHRUBS	CODE	BOTANICAL NAME	COMMON NAME
	JH	JUNIPERUS HORIZONTALIS	CREEPING JUNIPER
	PA2	PEROVSKIA X 'LITTLE SPIRE'	LITTLE SPIRE RUSSIAN SAGE

GROUND COVERS	CODE	BOTANICAL NAME	COMMON NAME
	PB	PENNISETUM ALOPECUROIDES 'LITTLE BUNNY'	LITTLE BUNNY FOUNTAIN GRASS
	RA	RIBES ALPNUM 'GREEN MOUND'	GREEN MOUND ALPINE CURRANT
	KB	KEN-TEX BLUEGRASS	KEN-TEX BLUEGRASS
	RM	RIVER ROCK MULCH 1-1/2"	3" DEPTH
	SM2	TOWN OF PARKER SEED MIX 3	TOWN OF PARKER SEED MIX 3



<p>2020 KIMLEY-HORN AND ASSOCIATES, INC. 4582 South Ulster Street, Suite 1500 Denver, Colorado 80237 (303) 228-2300</p>	<p>DESIGNED BY: NBB DRAWN BY: NBB CHECKED BY: CPH DATE: 03/11/20</p>
<p>PARKER & PINE MINOR DEVELOPMENT FILING NO.1 PARKER, CO CONSTRUCTION DOCUMENTS LANDSCAPE PLAN</p>	
<p>PRELIMINARY FOR REVIEW ONLY NOT FOR CONSTRUCTION</p> <p> Kimley-Horn and Associates, Inc.</p> <p>PROJECT NO. 096502001</p> <p>DRAWING NAME 096502001LA</p> <p style="font-size: 1.2em; font-weight: bold;">L1.1</p>	
<p>SEE SHEET L1.2 FOR CONTINUATION</p>	<p>SEE SHEET L1.3 FOR CONTINUATION</p>

L:\dev\cs\ill\096502001 - final\l15 - Parker - rd\ADD\Northwest\096502001LA.dwg - 09/27/2010 10:47 AM
 THE DOCUMENT CONTAINS PRELIMINARY INFORMATION AND IS NOT TO BE USED FOR CONSTRUCTION. ANY INSTRUMENT OF SERVICE OR CONTRACT SHALL BE REVIEWED FOR ANY DISCREPANCIES AND CORRECTED BEFORE OF AND IMPROPER RELIANCE ON THIS DOCUMENT WITHOUT WRITTEN AUTHORIZATION AND ADAPTATION BY KIMLEY-HORN AND ASSOCIATES, INC. SHALL BE WITHOUT LIABILITY TO KIMLEY-HORN AND ASSOCIATES, INC.

GENERAL LANDSCAPE SPECIFICATIONS

- A. SCOPE OF WORK**
1. THE WORK CONSISTS OF: FURNISHING ALL LABOR, MATERIALS, EQUIPMENT, TOOLS, TRANSPORTATION, AND ANY OTHER APPURTENANCES NECESSARY FOR THE COMPLETION OF THIS PROJECT AS SHOWN ON THE DRAWINGS AND AS SPECIFIED HEREIN.
 2. WORK SHALL INCLUDE MAINTENANCE AND WATERING OF ALL CONTRACT PLANTING AREAS UNTIL CERTIFICATION OF ACCEPTANCE BY THE OWNER.
- B. PROTECTION OF EXISTING STRUCTURES**
1. ALL EXISTING BUILDINGS, WALKS, WALLS, PAVING, OTHER SITE CONSTRUCTION ITEMS, AND PLANTING ALREADY COMPLETED OR ESTABLISHED AND DESIGNATED TO REMAIN SHALL BE PROTECTED FROM DAMAGE BY THE CONTRACTOR UNLESS OTHERWISE SPECIFIED. ALL DAMAGE RESULTING FROM NEGLIGENCE SHALL BE REPAIRED OR REPLACED TO THE SATISFACTION OF THE OWNER, AT NO COST TO THE OWNER.
 2. THE CONTRACTOR SHALL BE RESPONSIBLE FOR MAINTAINING ALL NECESSARY BEST MANAGEMENT PRACTICES (BMP) DEVICES ACCORDING TO ALL REGULATORY AGENCY'S STANDARDS THROUGH THE DURATION OF ALL CONSTRUCTION ACTIVITIES.
 3. THE CONTRACTOR SHALL BE RESPONSIBLE FOR ANY MAINTENANCE OF TRAFFIC (MOT) THAT MAY BE REQUIRED FOR THE PROJECT.
 4. THE CONTRACTOR SHALL BE RESPONSIBLE FOR LOCATING ALL UTILITIES, WHETHER PUBLIC OR PRIVATE, PRIOR TO EXCAVATION. THE OWNER AND DESIGN PROFESSIONAL SHALL NOT BE RESPONSIBLE FOR THE ACCURACY AND COMPLETENESS OF ANY SUCH INFORMATION OR DATA. THE CONTRACTOR SHALL HAVE FULL RESPONSIBILITY FOR REVIEWING AND CHECKING ALL SUCH INFORMATION AND DATA. LOCATING ALL UNDERGROUND FACILITIES DURING CONSTRUCTION; THE SAFETY AND PROTECTION THEREOF; REPAIRING ANY DAMAGE THERETO RESULTING FROM THE WORK. THE COST OF ALL WILL BE CONSIDERED AS HAVING BEEN INCLUDED IN THE CONTRACT PRICE. THE CONTRACTOR SHALL NOTIFY ANY AFFECTED UTILITY COMPANIES OR AGENCIES IN WRITING AT LEAST 48 HOURS PRIOR TO BEGINNING CONSTRUCTION.
- C. PROTECTION OF EXISTING PLANT MATERIALS**
1. THE CONTRACTOR SHALL BE RESPONSIBLE FOR ALL UNAUTHORIZED CUTTING OR DAMAGING TO TREES AND SHRUBS EXISTING OR OTHERWISE, CAUSED BY CARELESS EQUIPMENT OPERATION, MATERIAL STOCKPILING, ETC., THIS SHALL INCLUDE COMPACTION BY DRIVING OR PARKING INSIDE THE DRIP-LINE AND SPILLING OIL, GASOLINE, OR OTHER DELETERIOUS MATERIALS WITHIN THE DRIP-LINE. NO MATERIALS SHALL BE BURNED ON SITE. EXISTING TREES KILLED OR DAMAGED SO THAT THEY ARE MISSHAPEN AND/OR UNSIGHTLY SHALL BE REPLACED AT THE COST TO THE CONTRACTOR OF FOUR HUNDRED DOLLARS (\$400) PER CALIPER INCH ON AN ESCALATING SCALE WHICH ADDS AN ADDITIONAL TWENTY (20) PERCENT PER INCH OVER FOUR (4) INCHES CALIPER AND FIVE (5) PERCENT FOR EACH ADDITIONAL INCH. CALIPER SHALL BE MEASURED SIX (6) INCHES ABOVE GROUND LEVEL FOR TREES UP TO AND INCLUDING FOUR (4) INCHES IN CALIPER AND TWELVE (12) INCHES ABOVE GROUND LEVEL FOR TREES OVER FOUR (4) INCHES IN CALIPER.
 2. SEE TREE MITIGATION PLAN AND NOTES, IF APPLICABLE.
- D. MATERIALS**
1. GENERAL
MATERIAL SAMPLES LISTED BELOW SHALL BE SUBMITTED FOR APPROVAL, ON SITE OR AS DETERMINED BY THE OWNER. UPON APPROVAL, DELIVERY OF MATERIALS MAY COMMENCE.

MATERIAL	SAMPLE SIZE
MULCH	ONE (1) CUBIC FOOT
TOPSOIL MIX	ONE (1) CUBIC FOOT
PLANTS	ONE (1) OF EACH VARIETY (OR TAGGED IN NURSERY)
 2. PLANT MATERIALS
 - a. PLANT SPECIES AND SIZE SHALL CONFORM TO THOSE INDICATED ON THE DRAWINGS. ALL PLANT MATERIAL SHALL MEET OR EXCEED CURRENT AMERICAN STANDARD FOR NURSERY STOCK ANSI Z60.1 AND THE COLORADO NURSERY ACT AND ACCOMPANYING RULES AND REGULATIONS. ALL PLANTS SHALL BE HEALTHY, VIGOROUS, SOUND, WELL-BRANCHED, AND FREE OF DISEASE AND INSECTS, INSECT EGGS AND LARVAE AND SHALL HAVE ADEQUATE ROOT SYSTEMS.
 - b. TREES FOR PLANTING IN ROWS SHALL BE UNIFORM IN SIZE AND SHAPE. ALL MATERIALS SHALL BE SUBJECT TO APPROVAL BY THE OWNER. WHERE ANY REQUIREMENTS ARE OMITTED FROM THE PLANT LIST, THE PLANTS FURNISHED SHALL BE NORMAL FOR THE VARIETY.
 - c. PLANTS SHALL BE PRUNED PRIOR TO DELIVERY ONLY WITH APPROVAL FROM PROJECT LANDSCAPE ARCHITECT.
 - d. NO SUBSTITUTIONS SHALL BE MADE WITHOUT WRITTEN PERMISSION FROM THE PROJECT LANDSCAPE ARCHITECT.
 - e. THE HEIGHT AND/OR WIDTH OF TREES SHALL BE MEASURED FROM THE GROUND OR ACROSS THE NORMAL SPREAD OF BRANCHES WITH THE PLANTS IN THEIR NORMAL POSITION. THIS MEASUREMENT SHALL NOT INCLUDE THE IMMEDIATE TERMINAL GROWTH. PLANTS LARGER IN SIZE THAN THOSE SPECIFIED IN THE PLANT LIST MAY BE USED IF APPROVED BY THE OWNER. IF THE USE OF LARGER PLANTS IS APPROVED, THE BALL OF EARTH OR SPREAD OF ROOTS SHALL BE INCREASED IN PROPORTION TO THE SIZE OF THE PLANT.
 - f. PLANTS SHALL BE SUBJECT TO INSPECTION AND APPROVAL AT THE PLACE OF GROWTH, OR UPON DELIVERY TO THE SITE, AS DETERMINED BY THE OWNER, FOR QUALITY, SIZE, AND VARIETY. SUCH APPROVAL SHALL NOT IMPAIR THE RIGHT OF INSPECTION AND REJECTION AT THE SITE DURING PROGRESS OF THE WORK OR AFTER COMPLETION FOR SIZE AND CONDITION OF ROOT BALLS OR ROOTS, LATENT DEFECTS OR INJURIES. REJECTED PLANTS SHALL BE REMOVED IMMEDIATELY FROM THE SITE. NOTICE REQUESTING INSPECTION SHALL BE SUBMITTED IN WRITING BY THE CONTRACTOR AT LEAST ONE (1) WEEK PRIOR TO ANTICIPATED DATE.
- E. SOIL MIXTURE**
1. CONTRACTOR SHALL TEST EXISTING SOIL AND AMEND AS NECESSARY IN ACCORDANCE WITH THE GUIDELINES BELOW:
 2. SOIL MIXTURE SHALL CONSIST OF TWO PARTS OF TOPSOIL AND ONE PART SAND, AS DESCRIBED BELOW. CONTRACTOR TO SUBMIT SAMPLES AND PH TESTING RESULTS OF SOIL MIXTURE FOR OWNER'S REPRESENTATIVE APPROVAL PRIOR TO PLANT INSTALLATION OPERATIONS COMMENCE.
 - a. TOPSOIL FOR USE IN PREPARING SOIL MIXTURE FOR BACKFILLING PLANT OPENINGS SHALL BE FERTILE, FRIABLE, AND OF A LOAMY CHARACTER; REASONABLY FREE OF SUBSOIL, CLAY LUMPS, BRUSH WEEDS AND OTHER LITTER; FREE OF ROOTS, STUMPS, STONES LARGER THAN 2" IN ANY DIRECTION, AND OTHER EXTRANEOUS OR TOXIC MATERIAL HARMFUL TO PLANT GROWTH. IT SHALL CONTAIN THREE (3) TO FIVE (5) PERCENT DECOMPOSED ORGANIC MATTER AND HAVE A PH BETWEEN 5.5 AND 7.5. SUBMIT SOIL SAMPLE AND PH TESTING RESULTS FOR APPROVAL.
 - b. SAND SHALL BE COARSE, CLEAN, WELL-DRAINING, NATIVE SAND.
 3. TREES SHALL BE PLANTED IN THE EXISTING NATIVE SOIL ON SITE, UNLESS DETERMINED TO BE UNSUITABLE - AT WHICH POINT THE CONTRACTOR SHALL CONTACT THE PROJECT LANDSCAPE ARCHITECT TO DISCUSS ALTERNATE RECOMMENDATION PRIOR TO PLANTING.
- F. WATER**
1. WATER NECESSARY FOR PLANTING AND MAINTENANCE SHALL BE OF SATISFACTORY QUALITY TO SUSTAIN ADEQUATE PLANT GROWTH AND SHALL NOT CONTAIN HARMFUL, NATURAL OR MAN-MADE ELEMENTS DETRIMENTAL TO PLANTS. WATER MEETING THE ABOVE STANDARD SHALL BE OBTAINED ON THE SITE FROM THE OWNER, IF AVAILABLE, AND THE CONTRACTOR SHALL BE RESPONSIBLE TO MAKE ARRANGEMENTS FOR ITS USE BY HIS TANKS, HOSES, SPRINKLERS, ETC.... IF SUCH WATER IS NOT AVAILABLE AT THE SITE, THE CONTRACTOR SHALL PROVIDE SATISFACTORY WATER FROM SOURCES OFF THE SITE AT NO ADDITIONAL COST TO THE OWNER.
 * WATERING/IRRIGATION RESTRICTIONS MAY APPLY - REFER TO PROPERTY'S JURISDICTIONAL AUTHORITY.
- G. FERTILIZER**
1. CONTRACTOR SHALL PROVIDE FERTILIZER APPLICATION SCHEDULE TO OWNER, AS APPLICABLE TO SOIL TYPE, PLANT INSTALLATION TYPE, AND SITE'S PROPOSED USE. SUGGESTED FERTILIZER TYPES SHALL BE ORGANIC OR OTHERWISE NATURALLY-DERIVED.
 * FERTILIZER RESTRICTIONS MAY APPLY - REFER TO PROPERTY'S JURISDICTIONAL AUTHORITY.
- H. MULCH**
1. MULCH MATERIAL SHALL BE MOISTENED AT THE TIME OF APPLICATION TO PREVENT WIND DISPLACEMENT, AND APPLIED AT A DEPTH OF THREE (3) INCHES CLEAR MULCH FROM EACH PLANTS CROWN (BASE) OR AS SHOWN IN PLANTING DETAILS. MULCH SHALL BE DOUBLE SHREDDED HARDWOOD MULCH. DYED MULCH IS NOT ACCEPTABLE. SUBMIT SAMPLES TO PROJECT LANDSCAPE ARCHITECT FOR APPROVAL.
 2. MULCH SHALL BE PROVIDED OVER THE ENTIRE AREA OF EACH SHRUB BED, GROUND COVER, VINE BED, AND TREE RING (6" MINIMUM) PLANTED UNDER THIS CONTRACT, AS WELL AS FOR ANY EXISTING LANDSCAPE AREAS AS SHOWN ON PLANS.
- I. DIGGING AND HANDLING**
1. ALL TREES SPECIFIED SHALL BE BALLED AND BURLAPPED (B&B) UNLESS OTHERWISE APPROVED BY PROJECT LANDSCAPE ARCHITECT.
 2. PROTECT ROOTS OR ROOT BALLS OF PLANTS AT ALL TIMES FROM SUN, DRYING WINDS, WATER AND FREEZING, AS NECESSARY UNTIL PLANTING. PLANT MATERIALS SHALL BE ADEQUATELY PACKED TO PREVENT DAMAGE DURING TRANSPORT. TREES TRANSPORTED MORE THAN TEN (10) MILES OR WHICH ARE NOT PLANTED WITHIN THREE (3) DAYS OF DELIVERY TO THE SITE SHALL BE SPRAYED WITH AN ANTITRANSPIRANT PRODUCT ("WILT-PRUF" OR EQUAL) TO MINIMIZE TRANSPIRATIONAL WATER LOSS.

3. B&B AND FIELD GROWN (FG) PLANTS SHALL BE DUG WITH FIRM, NATURAL BALLS OF SOIL OF SUFFICIENT SIZE TO ENCOMPASS THE FIBROUS AND FEEDING ROOTS OF THE PLANTS. NO PLANTS MOVED WITH A ROOT BALL SHALL BE PLANTED IF THE BALL IS CRACKED OR BROKEN. PLANTS SHALL NOT BE HANDLED BY STEMS.
- J. CONTAINER GROWN STOCK**
1. ALL CONTAINER GROWN MATERIAL SHALL BE HEALTHY, VIGOROUS, WELL-ROOTED PLANTS ESTABLISHED IN THE CONTAINER IN WHICH THEY ARE SOLD. THE PLANTS SHALL HAVE TOPS WHICH ARE OF GOOD QUALITY AND ARE IN A HEALTHY GROWING CONDITION.
 2. AN ESTABLISHED CONTAINER GROWN PLANT SHALL BE TRANSPLANTED INTO A CONTAINER AND GROWN IN THAT CONTAINER SUFFICIENTLY LONG ENOUGH FOR THE NEW FIBROUS ROOTS TO HAVE DEVELOPED SO THAT THE ROOT MASS WILL RETAIN ITS SHAPE AND HOLD TOGETHER WHEN REMOVED FROM THE CONTAINER. CONTAINER GROWN STOCK SHALL NOT BE HANDLED BY THEIR STEMS.
 3. ROOT BOUND PLANTS ARE NOT ACCEPTABLE AND WILL BE REJECTED.
- K. MATERIALS LIST**
1. QUANTITIES NECESSARY TO COMPLETE THE WORK ON THE DRAWINGS SHALL BE FURNISHED BY THE CONTRACTOR. QUANTITY ESTIMATES HAVE BEEN MADE CAREFULLY, BUT THE LANDSCAPE ARCHITECT OR OWNER ASSUMES NO LIABILITY FOR OMISSIONS OR ERRORS. SHOULD A DISCREPANCY OCCUR BETWEEN THE PLANS AND THE PLANT LIST QUANTITY, THE PLANS SHALL GOVERN. ALL DIMENSIONS AND/OR SIZES SPECIFIED SHALL BE THE MINIMUM ACCEPTABLE SIZE.
- L. FINE GRADING**
1. FINE GRADING UNDER THIS CONTRACT SHALL CONSIST OF FINAL FINISHED GRADING OF LAWN AND PLANTING AREAS THAT HAVE BEEN DISTURBED DURING CONSTRUCTION.
 2. THE CONTRACTOR SHALL FINE GRADE THE LAWN AND PLANTING AREAS TO BRING THE ROUGH GRADE UP TO FINAL FINISHED GRADE ALLOWING FOR THICKNESS OF SOD AND ANNUAL MULCH DEPTH.
 3. ALL PLANTING AREAS SHALL BE GRADED AND MAINTAINED FOR POSITIVE DRAINAGE TO SURFACE/SUBSURFACE STORM DRAIN SYSTEMS. AREAS ADJACENT TO BUILDINGS SHALL SLOPE AWAY FROM THE BUILDINGS. REFER TO CIVIL ENGINEER'S PLANS FOR FINAL GRADES, IF APPLICABLE.
- M. PLANTING PROCEDURES**
1. THE CONTRACTOR SHALL CLEAN WORK AND SURROUNDING AREAS OF ALL RUBBISH OR OBJECTIONABLE MATTER DAILY. ALL MORTAR, CEMENT, BUILDING MATERIALS, AND TOXIC MATERIAL SHALL BE COMPLETELY REMOVED FROM PLANTING AREAS. THESE MATERIALS SHALL NOT BE MIXED WITH THE SOIL. SHOULD THE CONTRACTOR FIND SUCH SOIL CONDITIONS IN PLANTING AREAS WHICH WILL ADVERSELY AFFECT THE PLANT GROWTH, THE CONTRACTOR SHALL IMMEDIATELY CALL IT TO THE ATTENTION OF THE OWNER'S REPRESENTATIVE. FAILURE TO DO SO BEFORE PLANTING SHALL MAKE THE CORRECTIVE MEASURES THE RESPONSIBILITY OF THE CONTRACTOR.
 2. VERIFY LOCATIONS OF ALL UTILITIES, CONDUITS, SUPPLY LINES AND CABLES, INCLUDING BUT NOT LIMITED TO: ELECTRIC, GAS (LINES AND TANKS), WATER, SANITARY SEWER, STORMWATER SYSTEMS, CABLE, AND TELEPHONE. PROPERLY MAINTAIN AND PROTECT EXISTING UTILITIES. CALL COLORADO (811) TO LOCATE UTILITIES AT LEAST 48 HOURS PRIOR TO CONSTRUCTION.
 3. CONTRACTOR IS RESPONSIBLE TO REMOVE ALL EXISTING AND IMPORTED LIME ROCK AND LIME ROCK SUB-BASE FROM ALL PLANTING AREAS TO A MINIMUM DEPTH OF 36" OR TO NATIVE SOIL. CONTRACTOR IS RESPONSIBLE TO BACKFILL THESE PLANTING AREAS TO ROUGH FINISHED GRADE WITH CLEAN TOPSOIL FROM AN ON-SITE SOURCE OR AN IMPORTED SOURCE. IF LIME ROCK OR OTHER ADVERSE CONDITIONS OCCUR IN PLANTED AREAS AFTER 36" DEEP EXCAVATION BY THE CONTRACTOR, AND POSITIVE DRAINAGE CAN NOT BE ACHIEVED, CONTRACTOR SHALL UTILIZE POOR DRAINAGE CONDITION PLANTING DETAIL.
 4. FURNISH NURSERY'S CERTIFICATE OF COMPLIANCE WITH ALL REQUIREMENTS AS SPECIFIED HEREIN. INSPECT AND SELECT PLANT MATERIALS BEFORE PLANTS ARE DUG AT NURSERY OR GROWING SITE.
 5. COMPLY WITH APPLICABLE FEDERAL, STATE, COUNTY, AND LOCAL REGULATIONS GOVERNING LANDSCAPE MATERIALS AND WORK UPON ARRIVAL AT THE SITE. PLANTS SHALL BE THOROUGHLY WATERED AND PROPERLY MAINTAINED UNTIL PLANTED. PLANTS STORED ONSITE SHALL NOT REMAIN UNPLANTED OR APPROPRIATELY HEALED IN FOR A PERIOD EXCEEDING TWENTY-FOUR (24) HOURS. AT ALL TIMES WORKMANLIKE METHODS CUSTOMARY IN ACCEPTED HORTICULTURAL PRACTICES AS USED IN THE TRADE SHALL BE EXERCISED.
 6. WORK SHALL BE COORDINATED WITH OTHER TRADES TO PREVENT CONFLICTS. COORDINATE PLANTING WITH IRRIGATION WORK TO ASSURE AVAILABILITY OF WATER AND PROPER LOCATION OF IRRIGATION APPURTENANCES AND PLANTS.
 7. PRIOR TO EXCAVATION OF TREE OPENINGS, AN AREA EQUAL TO TWO TIMES THE DIAMETER OF THE ROOT BALL SHALL BE ROTO-TILLED TO A DEPTH EQUAL TO THE DEPTH OF THE ROOT BALL.
 8. EXCAVATION OF TREE OPENINGS SHALL BE PERFORMED USING EXTREME CARE TO AVOID DAMAGE TO SURFACE AND SUBSURFACE ELEMENTS SUCH AS UTILITIES OR HARDSCAPE ELEMENTS, FOOTERS AND PREPARED SUB-BASES.
 9. IN CONTINUOUS SHRUB AND GROUND COVER BEDS, THE ROTO-TILLED PERIMETER SHOULD EXTEND TO A DISTANCE OF ONE FOOT BEYOND THE DIAMETER OF A SINGLE ROOT BALL. THE BED SHALL BE TILLED TO A DEPTH EQUAL TO THE ROOT BALL DEPTH PLUS 6".
 10. TREE OPENINGS FOR WELL DRAINED SOILS SHALL BE DUG SO THAT THE BOTTOM OF THE ROOT BALL WILL REST ON UNDISTURBED SOIL AND THE TOP OF THE ROOT BALL WILL BE FLUSH WITH FINISH GRADE. IN POORLY DRAINED SOILS THE TREE OPENING SHALL BE DUG SO THAT THE ROOT BALL RESTS ON UNDISTURBED SOIL AND THE TOP OF THE ROOT BALL IS 1" ABOVE FINISH GRADE. PLANT PIT WALLS SHALL BE SCARIFIED PRIOR TO PLANT INSTALLATION.
 11. TAKE ALL NECESSARY PRECAUTIONS TO AVOID DAMAGE TO BUILDINGS AND BUILDING STRUCTURES WHILE INSTALLING TREES.
 12. SOIL MIXTURE SHALL BE AS SPECIFIED IN SECTION 'E'.
 13. TREES AND SHRUBS SHALL BE SET STRAIGHT AT AN ELEVATION THAT, AFTER SETTLEMENT, THE PLANT CROWN WILL STAND ONE (1) TO TWO (2) INCHES ABOVE GRADE. EACH PLANT SHALL BE SET IN THE CENTER OF THE PIT. SOIL MIXTURE SHALL BE BACK FILLED, THOROUGHLY TAMPED AROUND THE BALL, AND SETTLED BY WATER (AFTER TAMPING).
 14. AMEND PINE AND OAK PLANT OPENINGS WITH ECTOMYCORRHIZAL SOIL APPLICATION PER MANUFACTURER'S RECOMMENDATION. ALL OTHER PLANT OPENINGS SHALL BE AMENDED WITH ENDOMYCORRHIZAL SOIL APPLICATION PER MANUFACTURER'S RECOMMENDATION. PROVIDE PRODUCT INFORMATION SUBMITTAL PRIOR TO INOCULATION.
 15. FILL HOLE WITH SOIL MIXTURE, MAKING CERTAIN ALL SOIL IS SATURATED. TO DO THIS, FILL HOLE WITH WATER AND ALLOW TO SOAK MINIMUM TWENTY (20) MINUTES, STIRRING IF NECESSARY TO GET SOIL THOROUGHLY WET. PACK LIGHTLY WITH FEET, ADD MORE WET SOIL MIXTURE. DO NOT COVER TOP OF BALL WITH SOIL MIXTURE.
 16. ALL BURLAP, ROPE, WIRES, BASKETS, ETC., SHALL BE REMOVED FROM THE SIDES AND TOPS OF BALLS, BUT NO BURLAP SHALL BE PULLED FROM UNDERNEATH.
 17. TREES SHALL BE PRUNED, IN ACCORDANCE WITH ANSI A-300, TO PRESERVE THE NATURAL CHARACTER OF THE PLANT. ALL SOFT WOOD OR SUCKER GROWTH AND ALL BROKEN OR BADLY DAMAGED BRANCHES SHALL BE REMOVED WITH A CLEAN CUT. ALL PRUNING TO BE PERFORMED BY CERTIFIED ARBORIST.
 18. SHRUBS AND GROUND COVER PLANTS SHALL BE EVENLY SPACED IN ACCORDANCE WITH THE DRAWINGS AND AS INDICATED ON THE PLANT LIST. MATERIALS INSTALLED SHALL MEET MINIMUM SPECIMEN REQUIREMENTS OR QUANTITIES SHOWN ON PLANS, WHICHEVER IS GREATER. CULTIVATE ALL PLANTING AREAS TO A MINIMUM DEPTH OF 6"; REMOVE AND DISPOSE ALL DEBRIS. MIX TOP 4" THE PLANTING SOIL MIXTURE AS SPECIFIED IN SECTION E. THOROUGHLY WATER ALL PLANTS AFTER INSTALLATION.
 19. TREE GUYING AND BRACING SHALL BE INSTALLED BY THE CONTRACTOR IN ACCORDANCE WITH THE PLANS TO INSURE STABILITY AND MAINTAIN TREES IN AN UPRIGHT POSITION. IF THE CONTRACTOR AND OWNER DECIDE TO WAIVE THE TREE GUYING AND BRACING, THE OWNER SHALL NOTIFY THE PROJECT LANDSCAPE ARCHITECT IN WRITING AND AGREE TO INDEMNIFY AND HOLD HARMLESS THE PROJECT LANDSCAPE ARCHITECT IN THE EVENT UNSUPPORTED TREES PLANTED UNDER THIS CONTRACT FALL AND DAMAGE PERSON OR PROPERTY.
 20. ALL PLANT BEDS SHALL BE KEPT FREE OF NOXIOUS WEEDS UNTIL FINAL ACCEPTANCE OF WORK. IF DIRECTED BY THE OWNER, "ROUND-UP" SHALL BE APPLIED FOR WEED CONTROL BY QUALIFIED PERSONNEL TO ALL PLANTING AREAS IN SPOT APPLICATIONS PER MANUFACTURER'S RECOMMENDATIONS. PRIOR TO FINAL INSPECTION, TREAT ALL PLANTING BEDS WITH AN APPROVED PRE-EMERGENT HERBICIDE AT AN APPLICATION RATE RECOMMENDED BY THE MANUFACTURER. (AS ALLOWED BY JURISDICTIONAL AUTHORITY)
- N. LAWN SODDING**
1. THE WORK CONSISTS OF LAWN BED PREPARATION, SOIL PREPARATION, AND SODDING COMPLETE, IN STRICT ACCORDANCE WITH THE SPECIFICATIONS AND THE APPLICABLE DRAWINGS TO PRODUCE A TURF GRASS LAWN ACCEPTABLE TO THE OWNER.
 2. ALL AREAS THAT ARE TO BE SODDED SHALL BE CLEARED OF ANY ROUGH GRASS, WEEDS, AND DEBRIS BY MEANS OF A SOD CUTTER TO A DEPTH OF THREE (3) INCHES, AND THE GROUND BROUGHT TO AN EVEN GRADE. THE ENTIRE SURFACE SHALL BE ROLLED WITH A ROLLER WEIGHING NOT MORE THAN ONE HUNDRED (100) POUNDS PER FOOT OF WIDTH. DURING THE ROLLING, ALL DEPRESSIONS CAUSED BY SETTLEMENT SHALL BE FILLED WITH ADDITIONAL SOIL, AND THE SURFACE SHALL BE REGRADED AND ROLLED UNTIL PRESENTING A SMOOTH AND EVEN FINISH TO THE REQUIRED GRADE.
 3. PREPARE LOOSE BED FOUR (4) INCHES DEEP. HAND RAKE UNTIL ALL BUMPS AND DEPRESSIONS ARE REMOVED. WET PREPARED AREA THOROUGHLY.
 4. SODDING
 - a. THE CONTRACTOR SHALL SOD ALL AREAS THAT ARE NOT PAVED OR PLANTED AS DESIGNATED ON THE DRAWINGS WITHIN THE CONTRACT LIMITS, UNLESS SPECIFICALLY NOTED OTHERWISE.
 - b. SOD PANELS SHALL BE LAID TIGHTLY TOGETHER SO AS TO MAKE A SOLID SODDED LAWN AREA. SOD SHALL BE LAID

- UNIFORMLY AGAINST THE EDGES OF ALL CURBS AND OTHER HARDSCAPE ELEMENTS. PAVED AND PLANTED AREAS ADJACENT TO BUILDINGS. A 24 INCH STONE MULCH STRIP SHALL BE PROVIDED IMMEDIATELY FOLLOWING SOD LAYING. THE LAWN AREAS SHALL BE ROLLED WITH A LAWN ROLLER CUSTOMARILY USED FOR SUCH PURPOSES, AND THEN THOROUGHLY IRRIGATED. IF, IN THE OPINION OF THE OWNER, TOP-DRESSING IS NECESSARY AFTER ROLLING TO FILL THE VOIDS BETWEEN THE SOD PANELS AND TO EVEN OUT INCONSISTENCIES IN THE SOD, CLEAN SAND, AS APPROVED BY THE OWNER'S REPRESENTATIVE, SHALL BE UNIFORMLY SPREAD OVER THE ENTIRE SURFACE OF THE SOD AND THOROUGHLY WATERED IN. FERTILIZE INSTALLED SOD AS ALLOWED BY PROPERTY'S JURISDICTIONAL AUTHORITY.
5. DURING DELIVERY, PRIOR TO, AND DURING THE PLANTING OF THE LAWN AREAS, THE SOD PANELS SHALL AT ALL TIMES BE PROTECTED FROM EXCESSIVE DRYING AND UNNECESSARY EXPOSURE OF THE ROOTS TO THE SUN. ALL SOD SHALL BE STACKED SO AS NOT TO BE DAMAGED BY SWEATING OR EXCESSIVE HEAT AND MOISTURE.
- 6. LAWN MAINTENANCE**
- a. WITHIN THE CONTRACT LIMITS, THE CONTRACTOR SHALL PRODUCE A DENSE, WELL ESTABLISHED LAWN. THE CONTRACTOR SHALL BE RESPONSIBLE FOR THE REPAIR AND RE-SODDING OF ALL ERODED, SUNKEN OR BARE SPOTS (LARGER THAN 12"x12") UNTIL CERTIFICATION OF ACCEPTANCE BY THE OWNER'S REPRESENTATIVE. REPAIRED SODDING SHALL BE ACCOMPLISHED AS IN THE ORIGINAL WORK, INCLUDING REGRAIDING IF NECESSARY.
 - b. CONTRACTOR SHALL BE RESPONSIBLE FOR ESTABLISHING AND MAINTAINING SOD/LAWN UNTIL ACCEPTANCE BY THE OWNER'S REPRESENTATIVE. PRIOR TO AND UPON ACCEPTANCE, CONTRACTOR TO PROVIDE WATERING/IRRIGATION SCHEDULE TO OWNER. OBSERVE ALL APPLICABLE WATERING RESTRICTIONS AS SET FORTH BY THE PROPERTY'S JURISDICTIONAL AUTHORITY.
- O. CLEANUP**
1. UPON COMPLETION OF ALL PLANTING WORK AND BEFORE FINAL ACCEPTANCE, THE CONTRACTOR SHALL REMOVE ALL MATERIAL, EQUIPMENT, AND DEBRIS RESULTING FROM CONTRACTOR WORK. ALL PAVED AREAS SHALL BE CLEANED AND THE SITE LEFT IN A NEAT AND ACCEPTABLE CONDITION AS APPROVED BY THE OWNER'S REPRESENTATIVE.
- P. PLANT MATERIAL MAINTENANCE**
1. ALL PLANTS AND PLANTING INCLUDED UNDER THIS CONTRACT SHALL BE MAINTAINED BY WATERING, CULTIVATING, SPRAYING, PRUNING, AND ALL OTHER OPERATIONS (SUCH AS STAKING OR REPAIRING GULL SUPPORTS) NECESSARY TO INSURE A HEALTHY PLANT CONDITION BY THE CONTRACTOR UNTIL CERTIFICATION OF ACCEPTANCE BY THE OWNER'S REPRESENTATIVE.
- Q. FINAL INSPECTION AND ACCEPTANCE OF WORK**
1. FINAL INSPECTION AT THE END OF THE WARRANTY PERIOD SHALL BE ON PLANTING, CONSTRUCTION AND ALL OTHER INCIDENTAL WORK PERTAINING TO THIS CONTRACT. ANY REPLACEMENT AT THIS TIME SHALL BE SUBJECT TO THE SAME ONE (1) YEAR WARRANTY (OR AS SPECIFIED BY THE LANDSCAPE ARCHITECT OR OWNER IN WRITING) BEGINNING WITH THE TIME OF REPLACEMENT AND ENDING WITH THE SAME INSPECTION AND ACCEPTANCE HEREIN DESCRIBED.
- R. WARRANTY**
1. THE LIFE AND SATISFACTORY CONDITION OF ALL PLANT MATERIAL INSTALLED (INCLUDING SOD) BY THE LANDSCAPE CONTRACTOR SHALL BE WARRANTED BY THE CONTRACTOR FOR A MINIMUM OF ONE (1) CALENDAR YEAR COMMENCING AT THE TIME OF CERTIFICATION OF ACCEPTANCE BY THE OWNER'S REPRESENTATIVE.
 2. ANY PLANT NOT FOUND IN A HEALTHY GROWING CONDITION AT THE END OF THE WARRANTY PERIOD SHALL BE REMOVED FROM THE SITE AND REPLACED AS SOON AS WEATHER CONDITIONS PERMIT. ALL REPLACEMENTS SHALL BE PLANTS OF THE SAME KIND AND SIZE AS SPECIFIED IN THE PLANT LIST. THEY SHALL BE FURNISHED PLANTED AND MULCHED AS SPECIFIED AT NO ADDITIONAL COST TO THE OWNER.
 3. IN THE EVENT THE OWNER DOES NOT CONTRACT WITH THE CONTRACTOR FOR LANDSCAPE AND IRRIGATION MAINTENANCE, THE CONTRACTOR SHOULD VISIT THE PROJECT SITE PERIODICALLY DURING THE ONE (1) YEAR WARRANTY PERIOD TO EVALUATE MAINTENANCE PROCEDURES BEING PERFORMED BY THE OWNER. CONTRACTOR SHALL NOTIFY THE OWNER IN WRITING OF MAINTENANCE PROCEDURES OR CONDITIONS WHICH THREATEN VIGOROUS AND HEALTHY PLANT GROWTH.

PLANT SCHEDULE

TREES	CODE	QTY	BOTANICAL NAME	COMMON NAME	CONT	CAL	SIZE	
	GP	21	GINKGO BILLOBA 'PRINCETON SENTRY'	PRINCETON SENTRY GINKGO	B & B	2" CAL MIN		
	PA3	19	PYRUS CALLERYANA 'ARISTOCRAT' TM	ARISTOCRAT FLOWERING PEAR	B & B	2" CAL MIN		
	QR	6	QUERCUS ROBUR	ENGLISH OAK	B & B	2" CAL MIN		
	TG	38	TILIA CORDATA 'GREENSPIRE'	GREENSPIRE LITTLELEAF LINDEN	B & B	2" CAL MIN		
	UA	12	ULMUS X 'ACCOLADE'	ACCOLADE ELM	B & B	2" CAL MIN		
SHRUBS	CODE	QTY	BOTANICAL NAME	COMMON NAME	CONT	SPACING	SIZE	
	JH	6	JUNIPERUS HORIZONTALIS	CREeping JUNIPER	5 GAL	SEE PLAN	36" SPRD MIN	
	PA2	170	PEROVSKIA X 'LITTLE SPIRE'	LITTLE SPIRE RUSSIAN SAGE	5 GAL	SEE PLAN		
	PB	337	PENNISETUM ALOPECUROIDES 'LITTLE BUNNY'	LITTLE BUNNY FOUNTAIN GRASS	1 GAL	SEE PLAN		
	RA	88	RIBES ALPINUM 'GREEN MOUND'	GREEN MOUND ALPINE CURRANT	5 GAL	SEE PLAN		
GROUND COVERS	CODE	QTY	BOTANICAL NAME	COMMON NAME	CONT	SIZE	SPACING	SPACING
	KB	37,655 SF	KEN-TEX BLUEGRASS	KEN-TEX BLUEGRASS	SOD			
	RM	3,381 SF	RIVER ROCK MULCH 1-1/2"	3" DEPTH				
	SM2	662,130 SF	TOWN OF PARKER SEED MIX 3	TOWN OF PARKER SEED MIX 3	SEED			

Please provide column with mature height/size.

f this grasses are included in the overall calculations, they must be either a 5 gallon or, if 1 gallon, must be provided at a 3:1 ratio. If grasses are not included in the overall calculations, please note that on below the plant list.

2-6" required

NO.	REVISION	BY	DATE

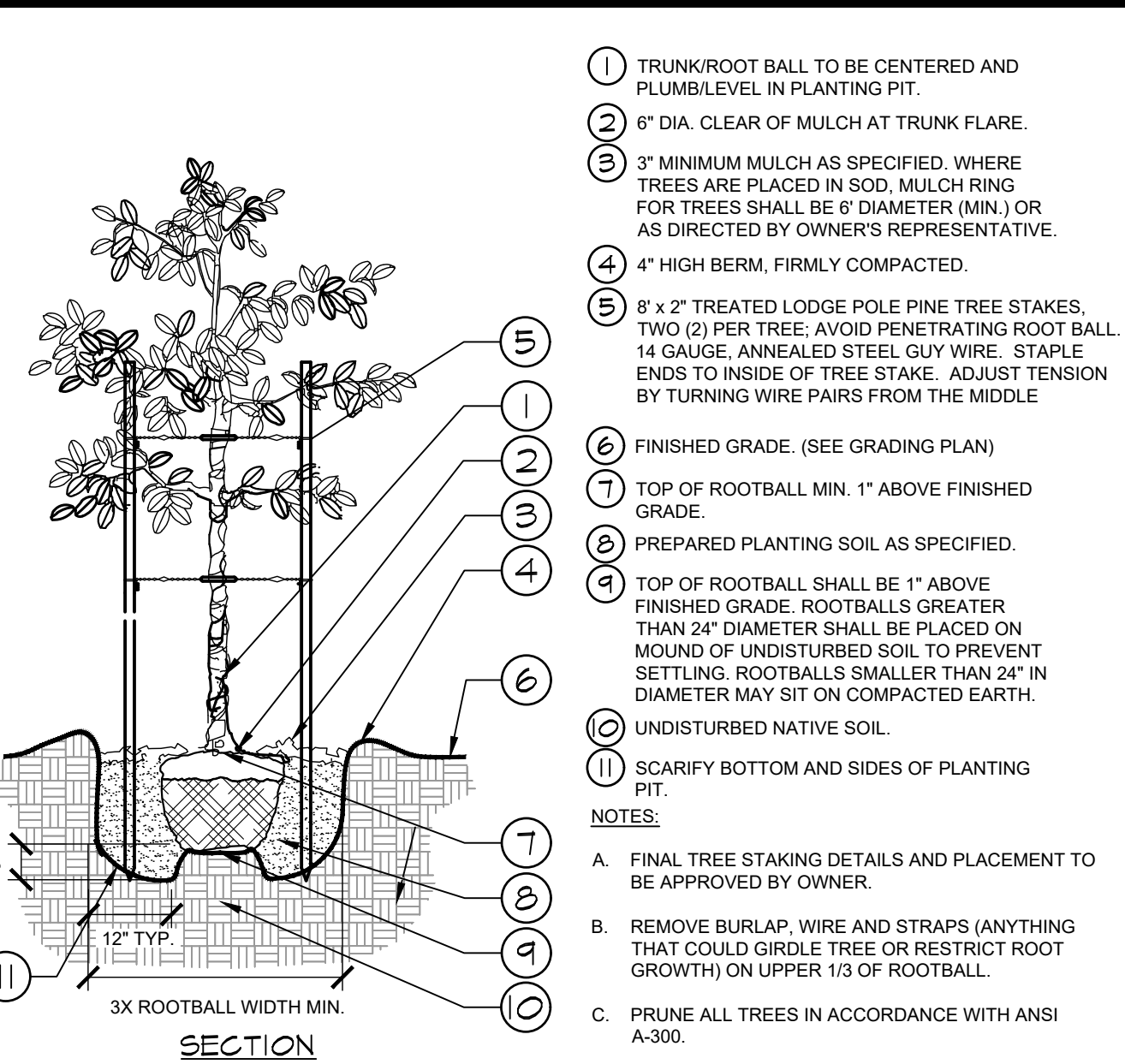
Kimley»Horn
 2020 KIMLEY-HORN AND ASSOCIATES, INC.
 4582 South Ulster Street, Suite 1500
 Denver, Colorado 80237 (303) 228-2300

DESIGNED BY: NBB
 DRAWN BY: NBB
 CHECKED BY: CPH
 DATE: 03/11/20

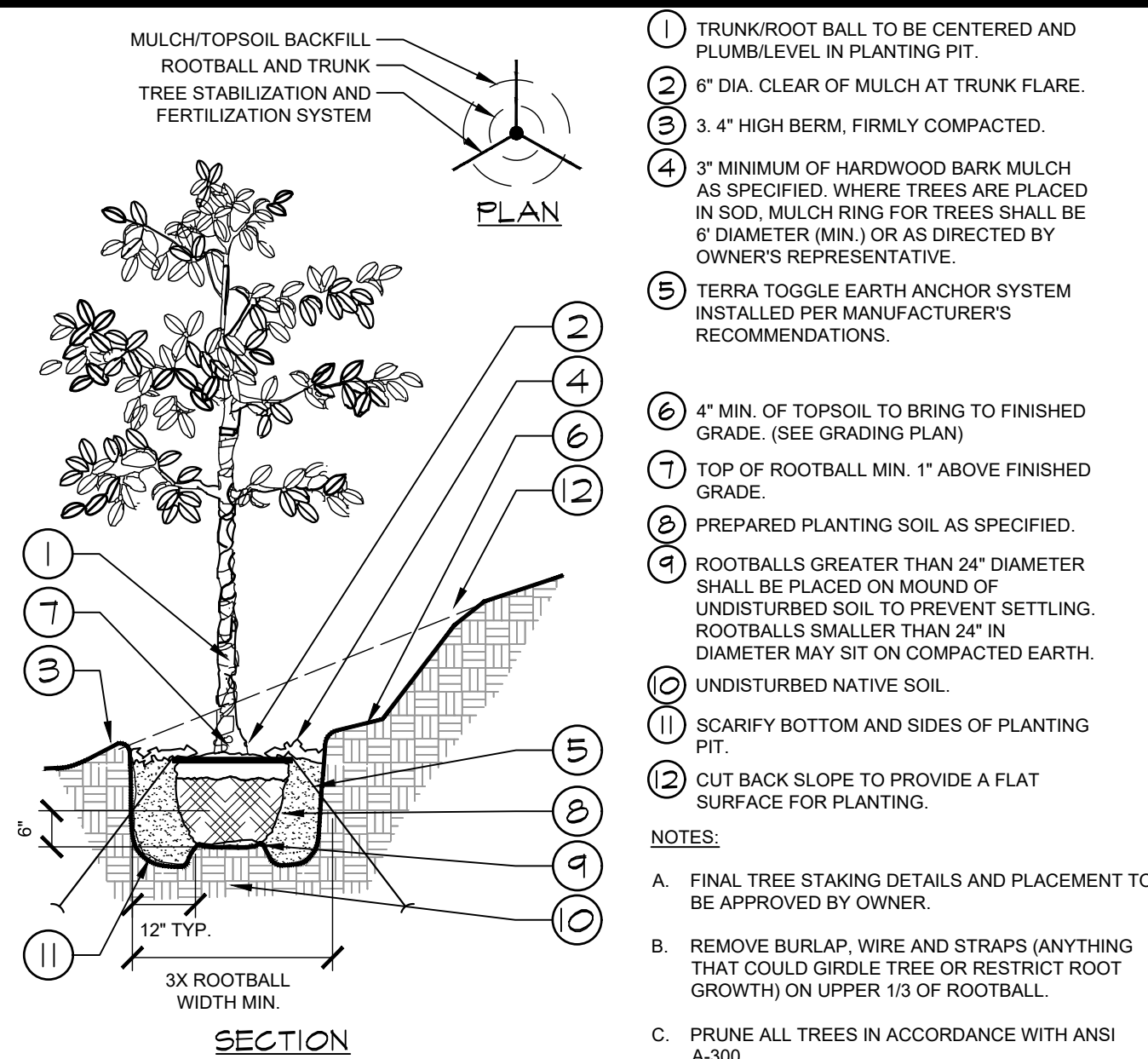
PARKER & PINE MINOR DEVELOPMENT FILING NO. 1
 PARKER, CO
 CONSTRUCTION DOCUMENTS
 LANDSCAPE NOTES AND SCHEDULE

PRELIMINARY
 FOR REVIEW ONLY
 NOT FOR
 CONSTRUCTION
Kimley»Horn
 Kimley-Horn and Associates, Inc.
 PROJECT NO.
 096502001
 DRAWING NAME
 096502001LA
L1.5

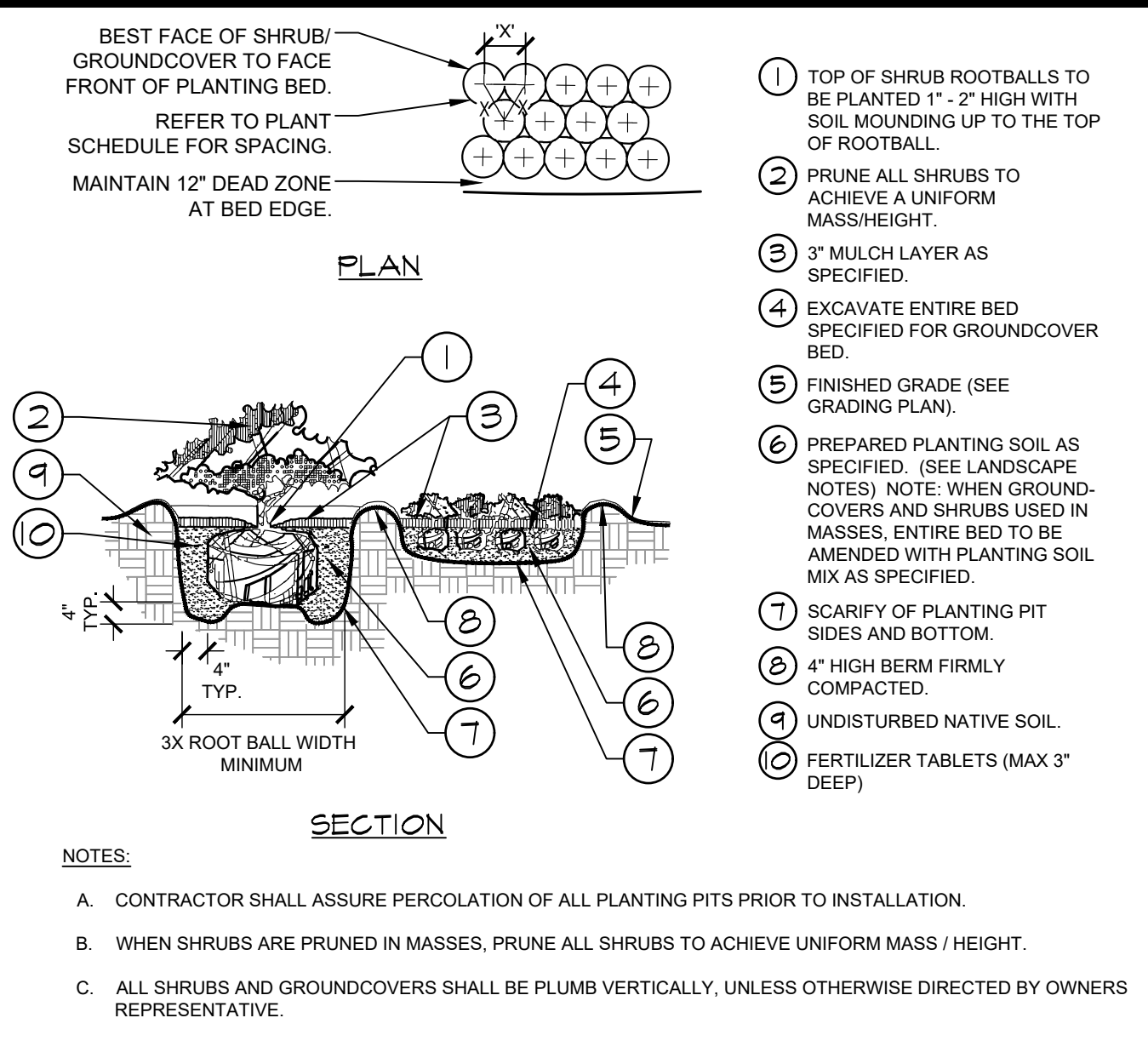
N:\den\10\06502001 - mixed use parker - a\cadd\landscape\06502001LA.dwg
 User: jhorne
 Date: 10/15/2019 10:47 AM
 Description: LANDSCAPE MAINTENANCE NOTES FOR TOWN OF PARKER
 This document is the property of Kimley-Horn and Associates, Inc. and is not to be distributed, copied, or used in any way without the written authorization of Kimley-Horn and Associates, Inc.



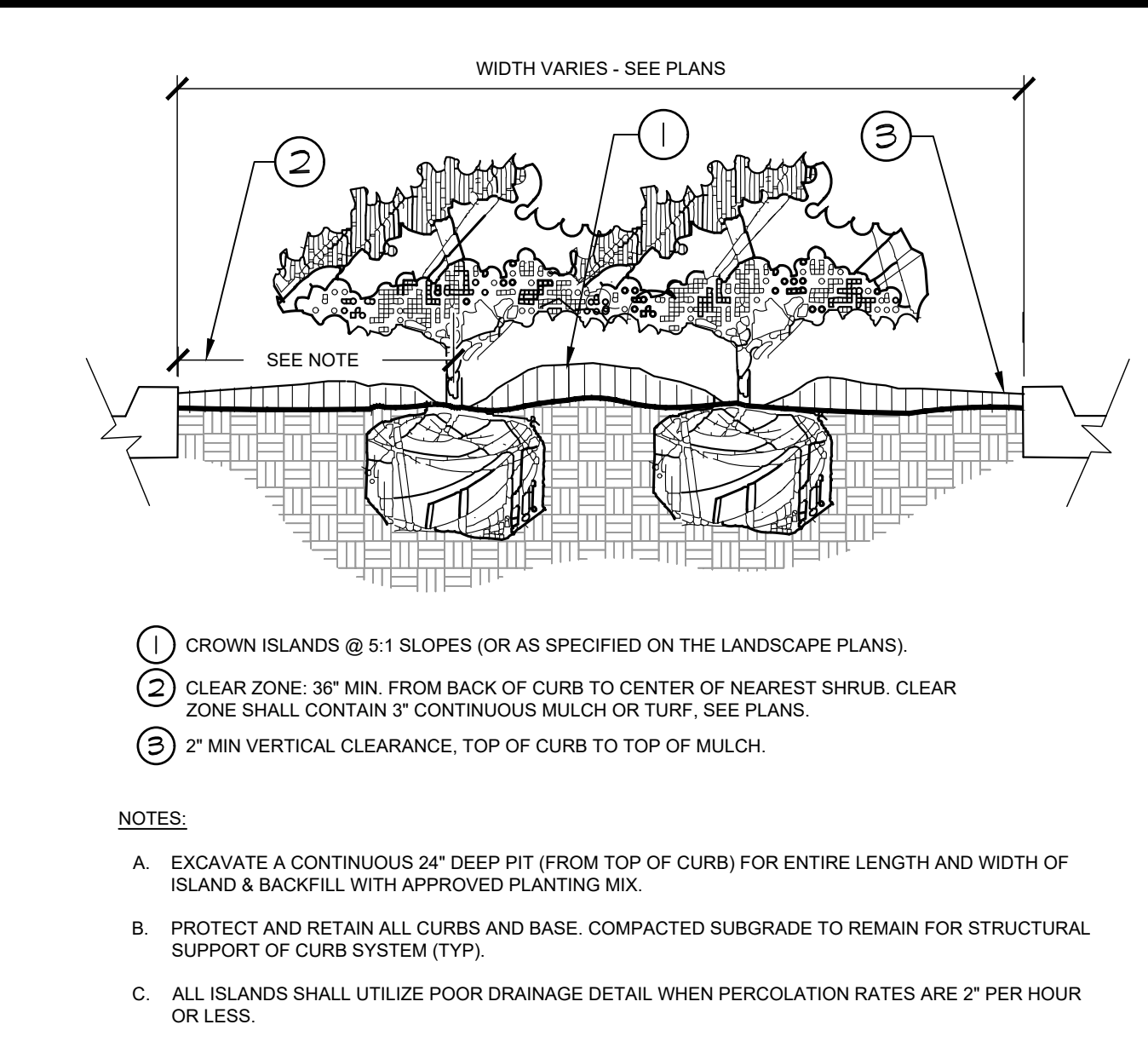
1 TREE PLANTING
SECTION / PLAN
NTS



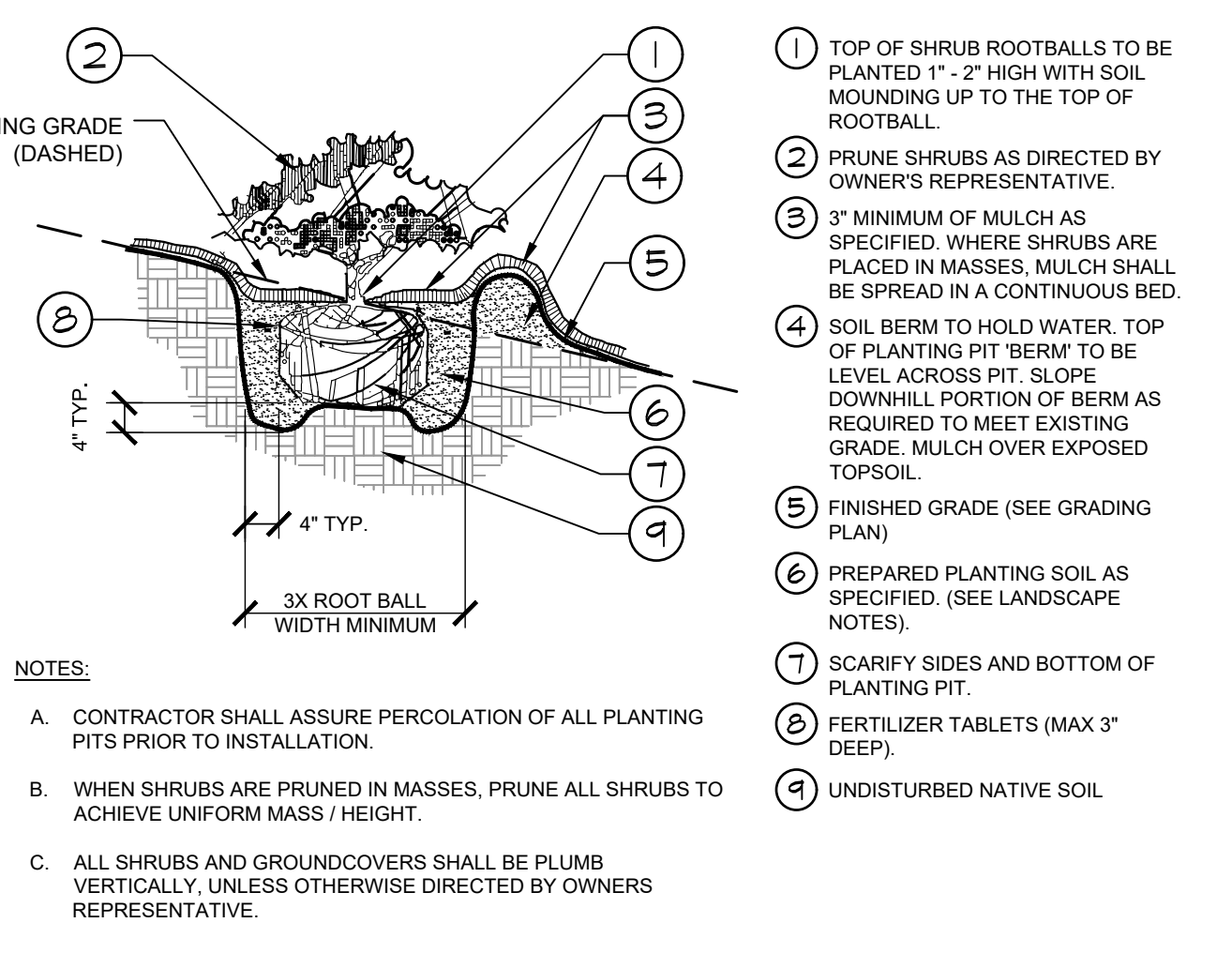
2 TREE PLANTING ON A SLOPE
SECTION / PLAN
NTS



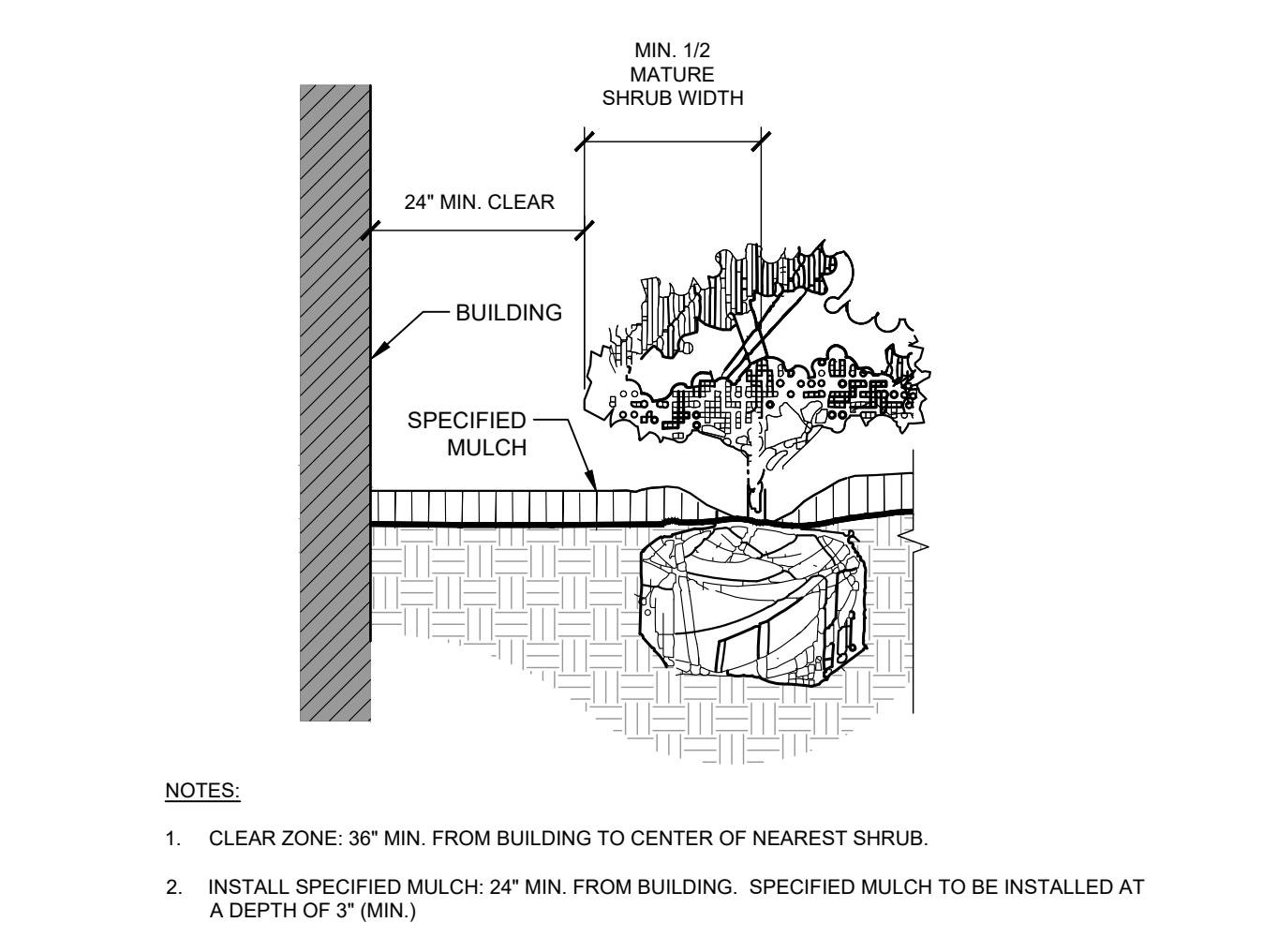
3 SHRUB/GROUNDCOVER PLANTING
SECTION / PLAN
NTS



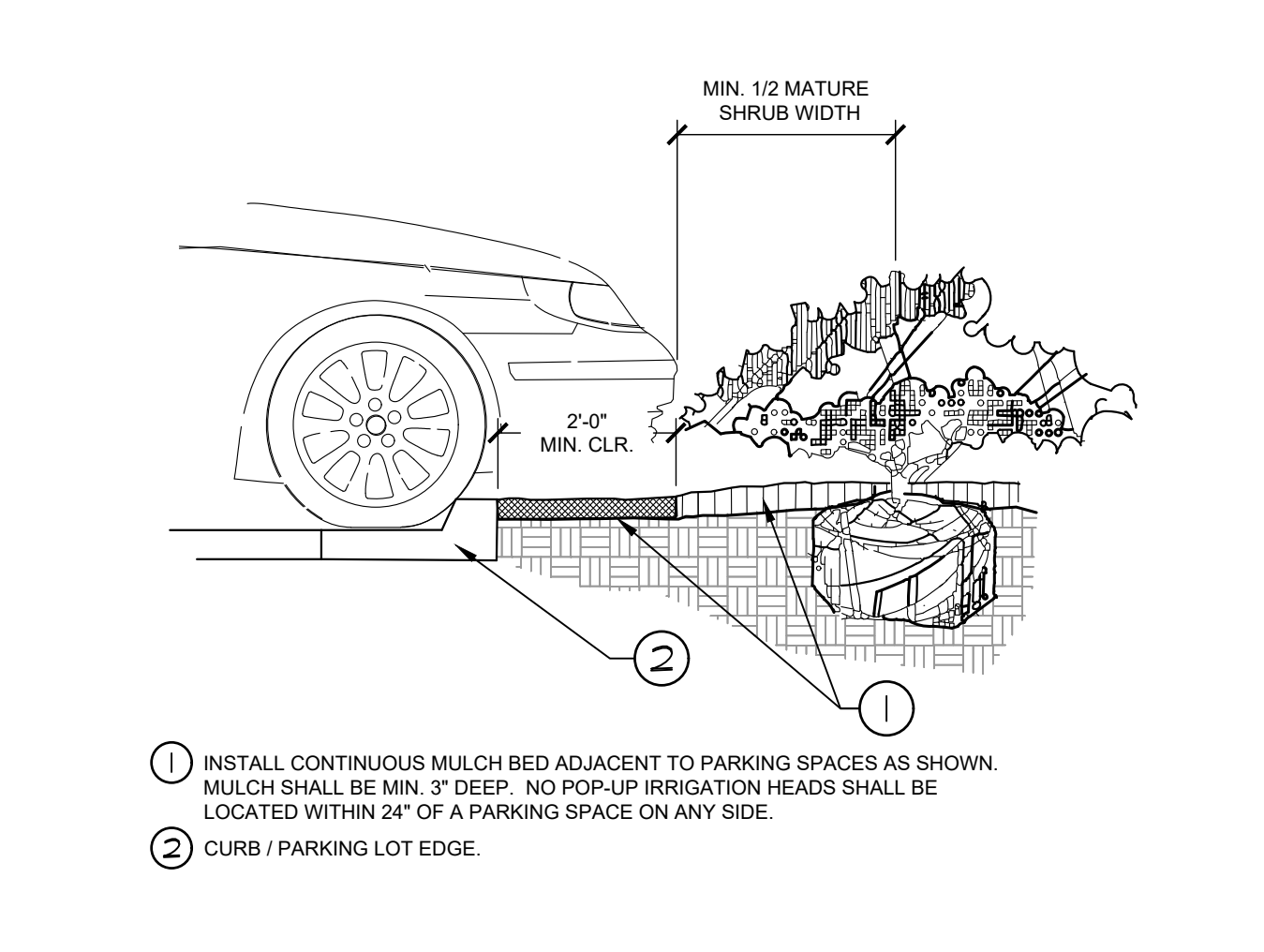
4 PLANTED PARKING LOT ISLANDS/MEDIANS
SECTION
NTS



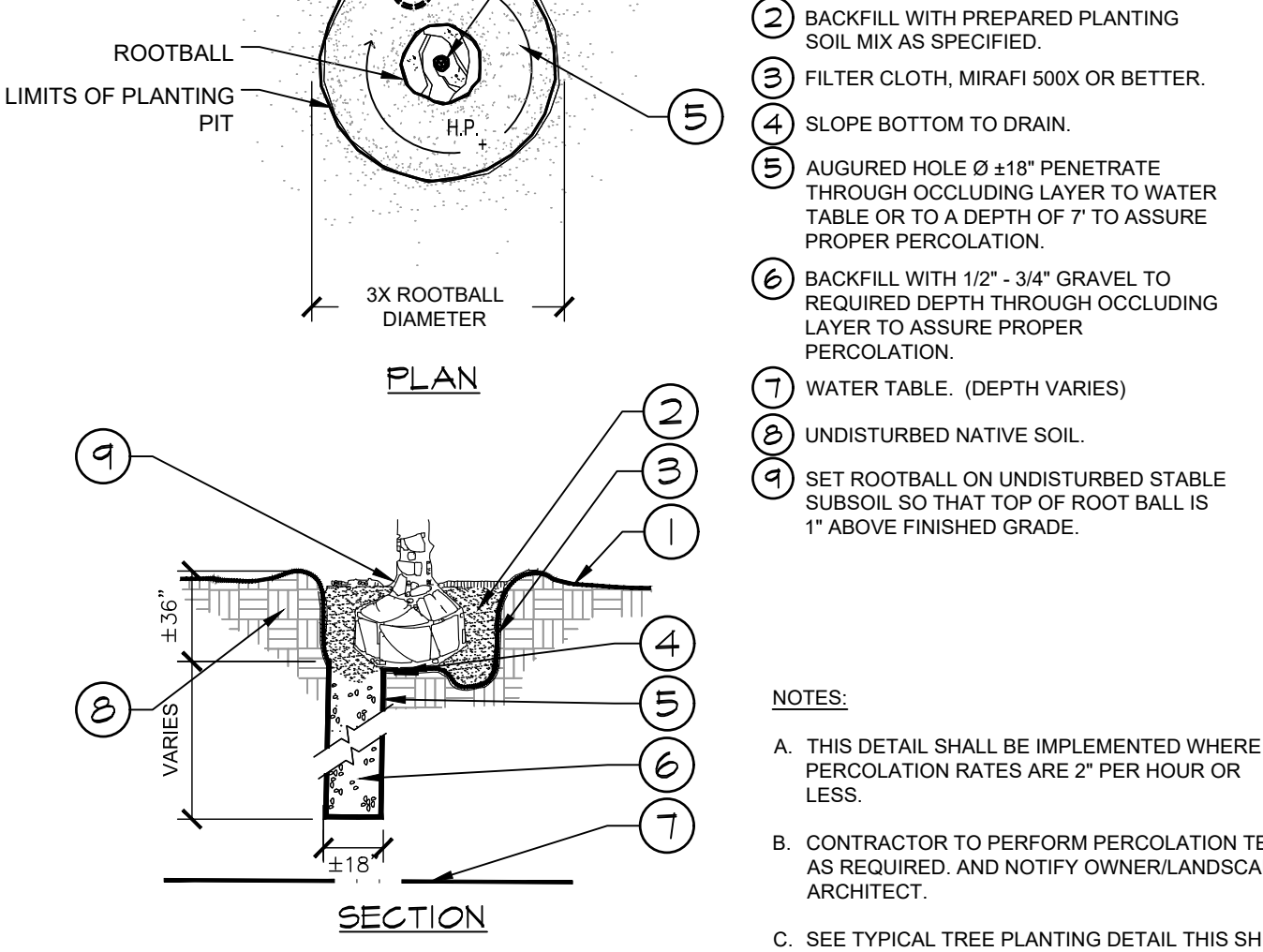
5 SHRUB/GROUNDCOVER PLANTING ON A SLOPE
SECTION
NTS



6 PLANTINGS ADJACENT TO BUILDINGS
SECTION
NTS



7 PARKING SPACE/CURB PLANTING
SECTION
NTS



8 POOR DRAINAGE CONDITION
SECTION / PLAN
NTS

Please use Town Planting Standards. Staff has uploaded the standards to eTRAKIT.

Please add Town notes.

TOWN OF PARKER LANDSCAPE MAINTENANCE NOTES

- ALL PLANTINGS SHALL BE MAINTAINED IN A HEALTHY AND ATTRACTIVE MANNER, AS DETERMINED BY THE TOWN. MAINTENANCE SHALL BE CONDUCTED BY THE PROPERTY OWNER OF RECORD, THE PROPERTY OWNER'S AGENT OR TENANT OR A HOMEOWNERS ASSOCIATION WHICH HAS ASSUMED LANDSCAPE MAINTENANCE RESPONSIBILITY.
- ALL ORNAMENTAL LANDSCAPING SHALL BE MAINTAINED FREE FROM DISEASE, PESTS, WEEDS, AND LITTER. MAINTENANCE SHALL INCLUDE, BUT NOT BE LIMITED TO, WATERING, FERTILIZING, WEEDING, CLEANING, MOWING, EDGING, MULCHING, PRUNING, TRIMMING, SPRAYING, CULTIVATING, OR OTHER MAINTENANCE AS NEEDED AND IN ACCORDANCE WITH ACCEPTABLE HORTICULTURAL PRACTICES. AREAS OF NATIVE OR NATURALIZED LANDSCAPE ARE EXEMPT FROM THIS LEVEL OF MAINTENANCE. ACCEPTABLE MAINTENANCE OF NATIVE PLANTS INCLUDES, BUT IS NOT LIMITED TO, REMOVAL OF DEAD OR DISEASED PLANTS, WEED CONTROL AND SEASONAL MOWING.
- DEAD PLANT MATERIALS SHALL BE REMOVED AND REPLACED WITH HEALTHY PLANTING MATERIALS OF COMPARABLE SIZE AND SPECIES THAT MEET THE ORIGINAL INTENT OF THE APPROVED LANDSCAPE DESIGN WITHIN FORTY-FIVE (45) DAYS OF THEIR DEATH, UNLESS SEASONAL CONDITIONS PROHIBIT REMOVAL AND REPLACEMENT. IN SUCH CASE, THE REMOVAL AND REPLACEMENT SHALL OCCUR WITHIN A REASONABLE PERIOD OF TIME APPROVED BY THE TOWN.
- NON-LIVING LANDSCAPE MATERIALS SUCH AS ROCK, STONE, BARK CHIPS AND SHAVINGS WHICH NO LONGER COVER THE AREA IN WHICH THEY WERE ORIGINALLY DEPOSITED SHALL BE REGULARLY REPLISHED TO MAINTAIN THE FULL COVERAGE TO A MINIMUM DEPTH OF THREE (3) INCHES FOR ROCK MULCHES AND FOUR (4) INCHES FOR WOOD MULCH.
- LANDSCAPING STRUCTURAL FEATURES (E.G. FENCING, WALLS, PLANTER BOXES) AND SITE FURNISHINGS SHALL BE MAINTAINED IN A SOUND, STRUCTURAL AND ATTRACTIVE CONDITION. IRRIGATION SYSTEMS ARE TO BE MONITORED AND ADJUSTED PERIODICALLY TO ENSURE THAT THE WATER DEMANDS OF ALL PLANT MATERIALS ARE BEING MET.
- IRRIGATION SYSTEM REPAIRS SHALL BE MADE WITHIN SEVEN (7) DAYS OF DISCOVERY OF DAMAGE, UNLESS SEASONAL CONDITIONS PROHIBIT REPAIRS.
- LANDSCAPE AREAS SHALL BE FREE FROM TRASH AND DEBRIS.
- FAILURE TO REPLACE DEAD LANDSCAPE MATERIALS WITHIN A REASONABLE PERIOD OF TIME, AS SPECIFIED IN PARAGRAPH (2) ABOVE, SHALL BE CONSIDERED A VIOLATION OF THE SITE PLAN APPROVAL AND IS SUBJECT TO ENFORCEMENT AND PENALTY PROVISIONS OF THIS TITLE.

NO.	REVISION	BY	DATE	APPR

Kimley-Horn
2020 KIMLEY-HORN AND ASSOCIATES, INC.
4582 South Ulster Street, Suite 1500
Denver, Colorado 80237 (303) 228-2300

DESIGNED BY: NBB
DRAWN BY: NBB
CHECKED BY: CPH
DATE: 03/11/20

PARKER & PINE MINOR DEVELOPMENT FILING NO. 1
PARKER, CO
CONSTRUCTION DOCUMENTS
LANDSCAPE DETAILS

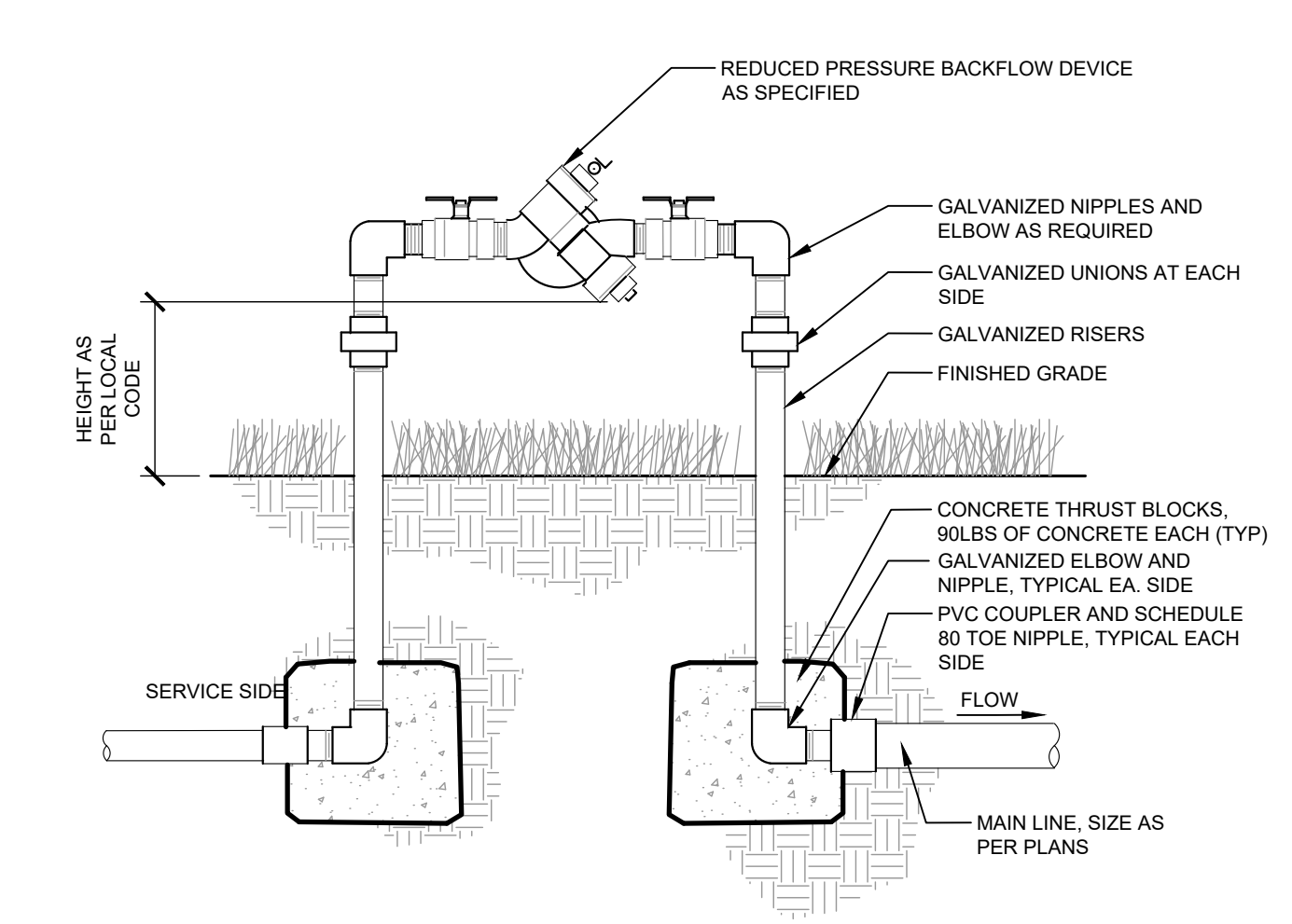
PRELIMINARY
FOR REVIEW ONLY
NOT FOR CONSTRUCTION
Kimley-Horn
Kimley-Horn and Associates, Inc.

PROJECT NO.
096502001

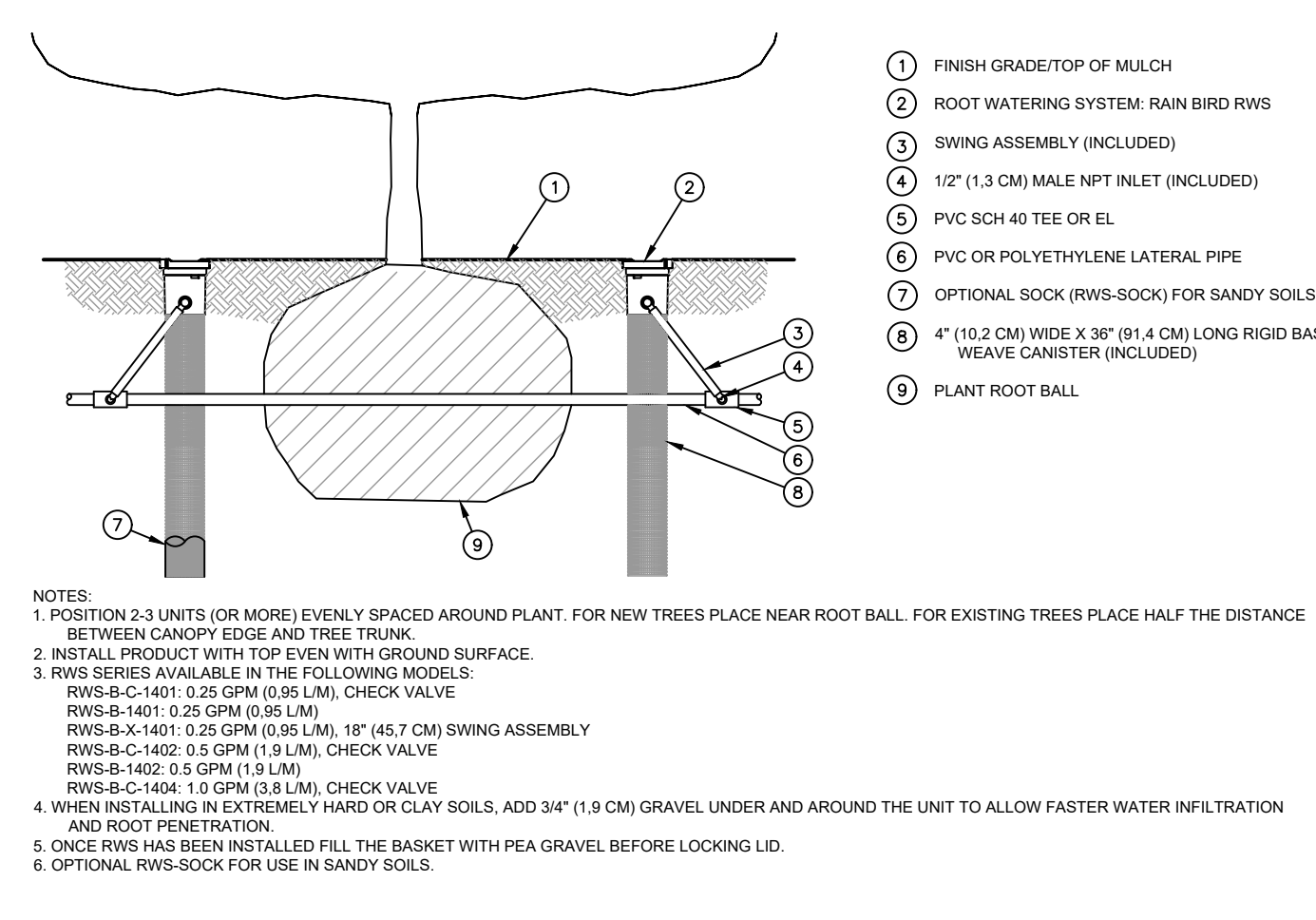
DRAWING NAME
096502001LA

L1.6

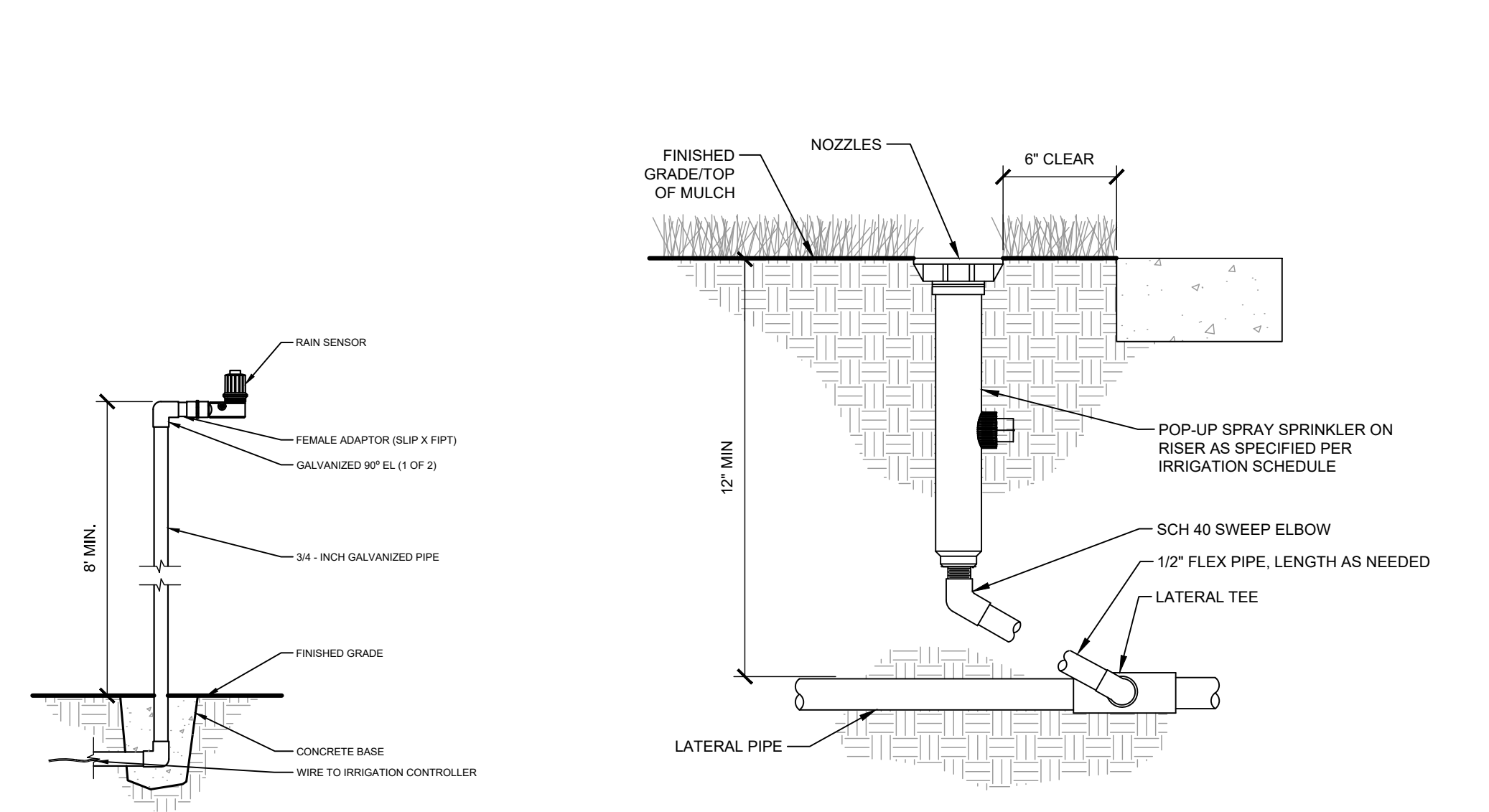
1. Kimley-Horn and Associates, Inc. (KHA) is not responsible for any errors or omissions in this drawing. 2. This drawing is for informational purposes only and is not intended to be used for construction. 3. All dimensions are in inches unless otherwise noted. 4. All materials shall be of standard quality unless otherwise noted. 5. All work shall be in accordance with the latest editions of the applicable codes and standards. 6. The contractor shall be responsible for obtaining all necessary permits and approvals. 7. The contractor shall be responsible for protecting all existing utilities and structures. 8. The contractor shall be responsible for maintaining access to all adjacent properties. 9. The contractor shall be responsible for cleaning up all construction debris. 10. The contractor shall be responsible for ensuring that all work is completed in a timely and professional manner.



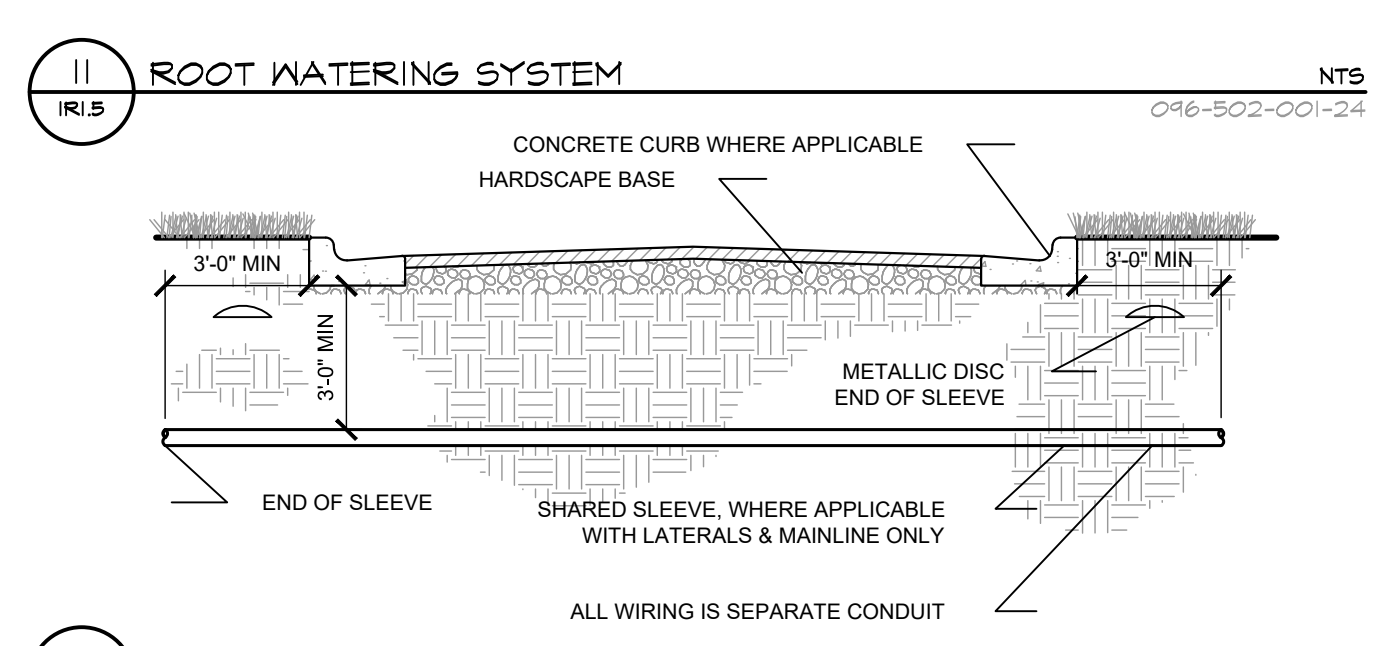
1 BACKFLOW PREVENTER
IR1.5 SECTION NTS



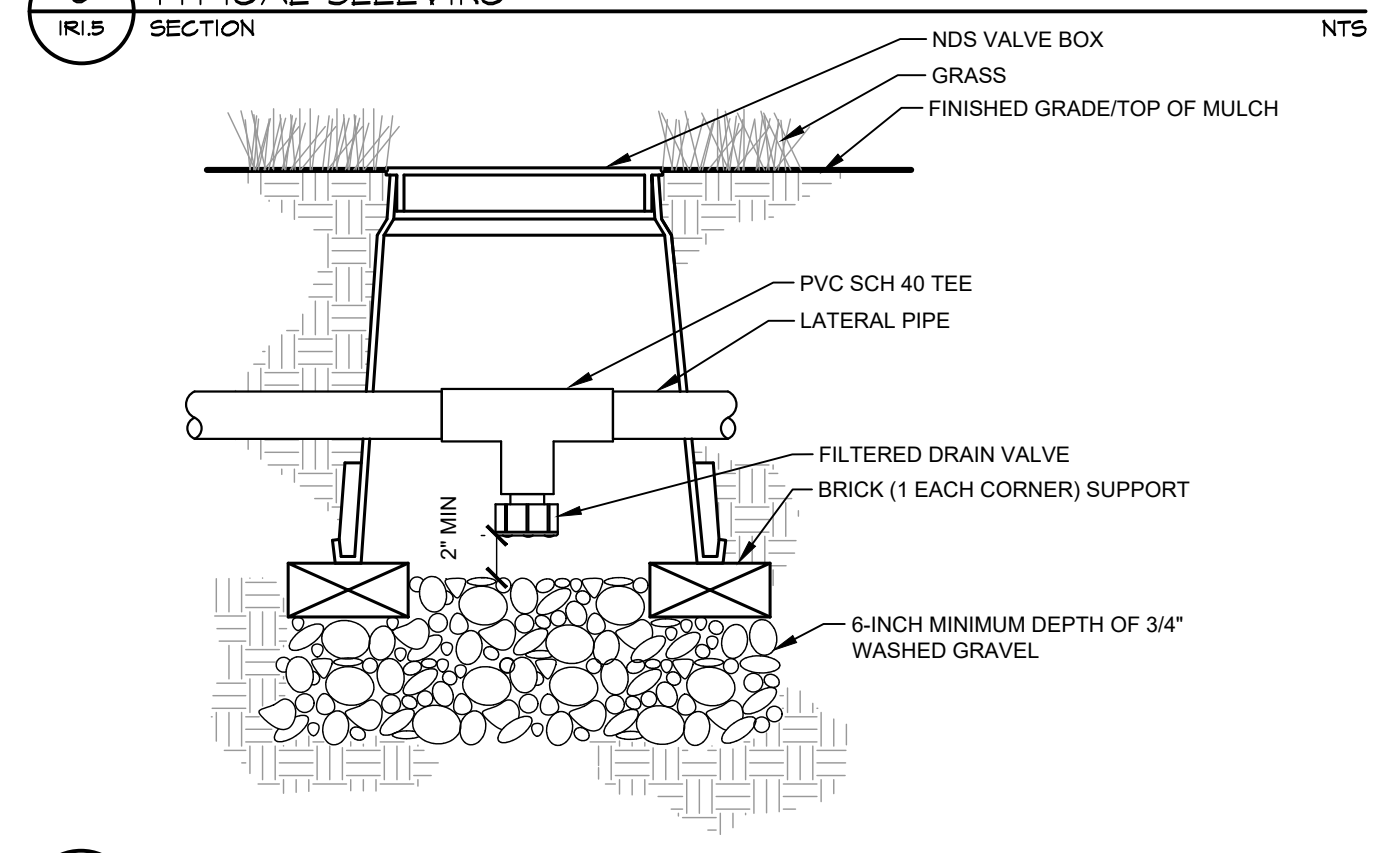
2 IRRIGATION CONTROLLER - PEDESTAL MOUNT
IR1.5 SECTION NTS



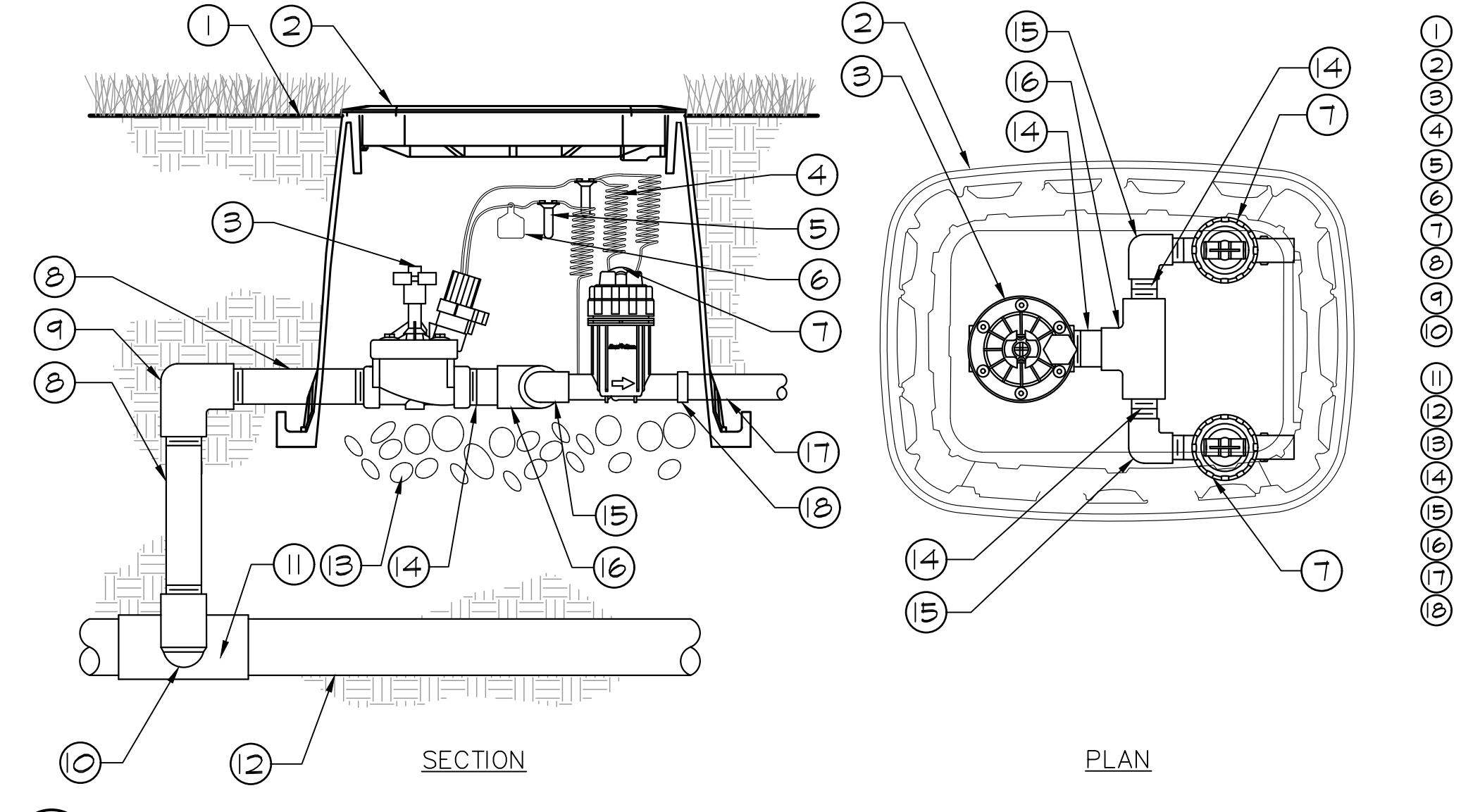
3 RAIN SENSOR - POLE MOUNT
IR1.5 SECTION NTS



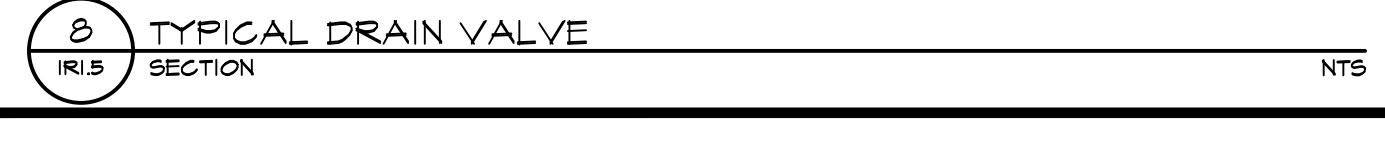
4 TYPICAL SPRAY / ROTAR HEAD
IR1.5 SECTION NTS



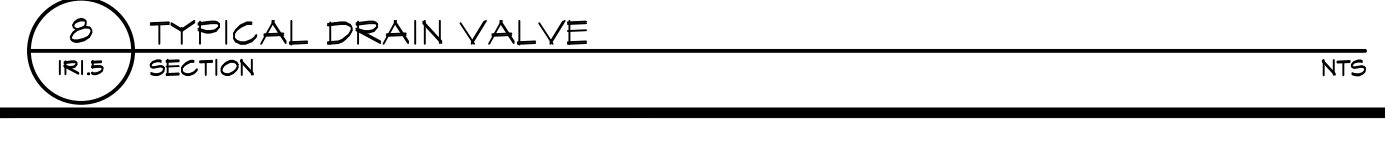
5 TYPICAL DRIPLINE
IR1.5 PLAN NTS



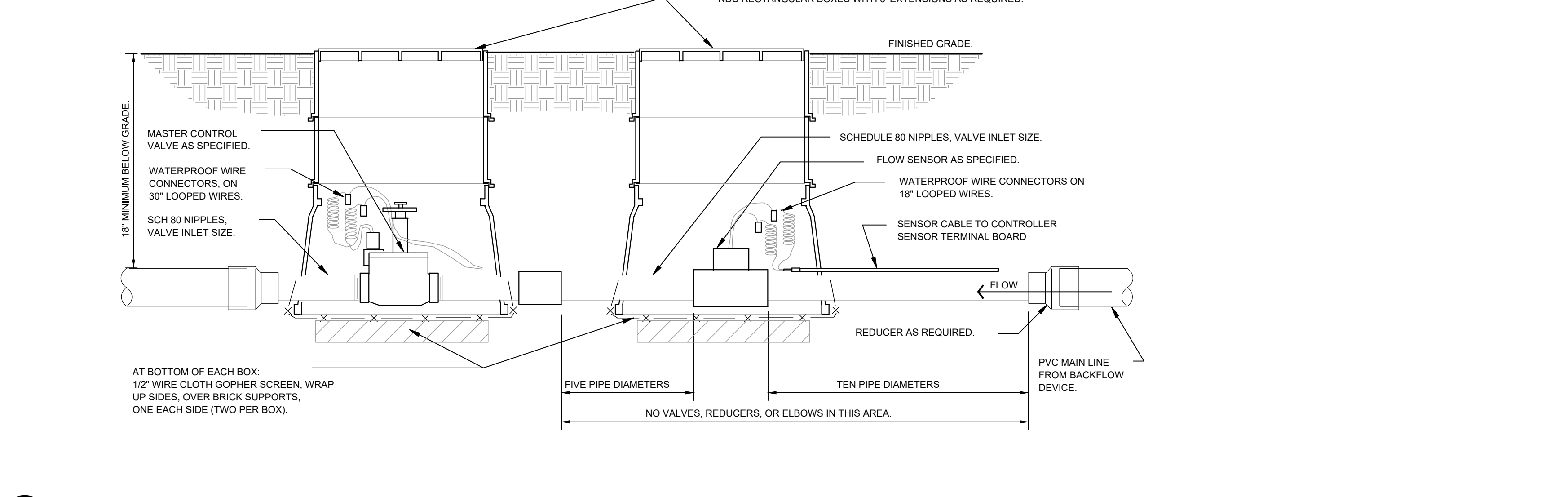
6 TYPICAL SLEEVING
IR1.5 SECTION NTS



7 DRIP ZONE VALVE KIT
IR1.5 SECTION / PLAN NTS



8 TYPICAL DRAIN VALVE
IR1.5 SECTION NTS



9 MASTER CONTROL VALVE / FLOW SENSOR ASSEMBLY
IR1.5 SECTION NTS

NO.	REVISION	BY	DATE	APPR

Kimley-Horn
 2020 KIMLEY-HORN AND ASSOCIATES, INC.
 4582 South Ulster Street, Suite 1500
 Denver, Colorado 80237 (303) 228-2300

DESIGNED BY: DLS
 DRAWN BY: ECZ
 CHECKED BY: DLS
 DATE: 03/11/20

PARKER & PINE MINOR DEVELOPMENT FILING NO. 1
 PARKER, CO
 CONSTRUCTION DOCUMENTS
 IRRIGATION DETAILS

PRELIMINARY
 FOR REVIEW ONLY
 NOT FOR CONSTRUCTION
Kimley-Horn
 Kimley-Horn and Associates, Inc.

PROJECT NO.
 096502001
 DRAWING NAME
 096502001R
 IR1.6