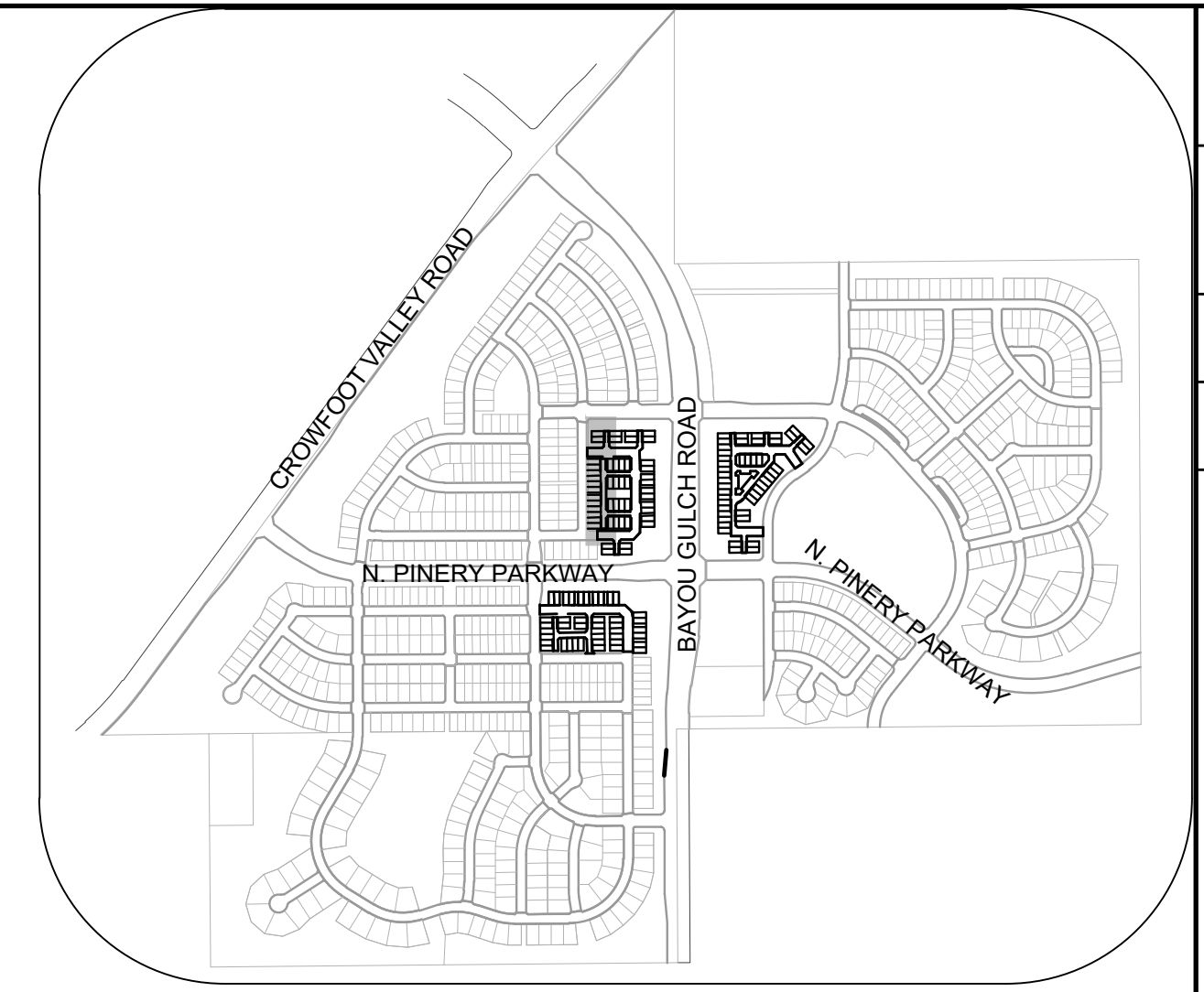
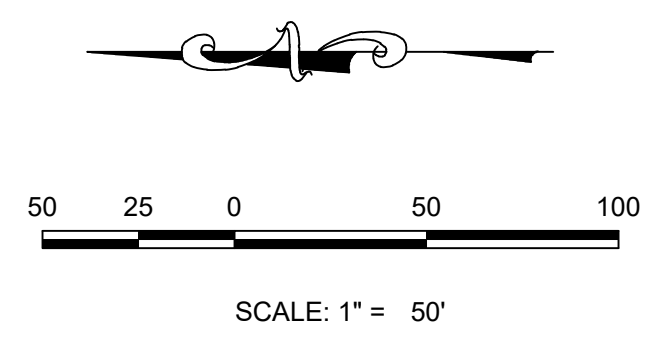
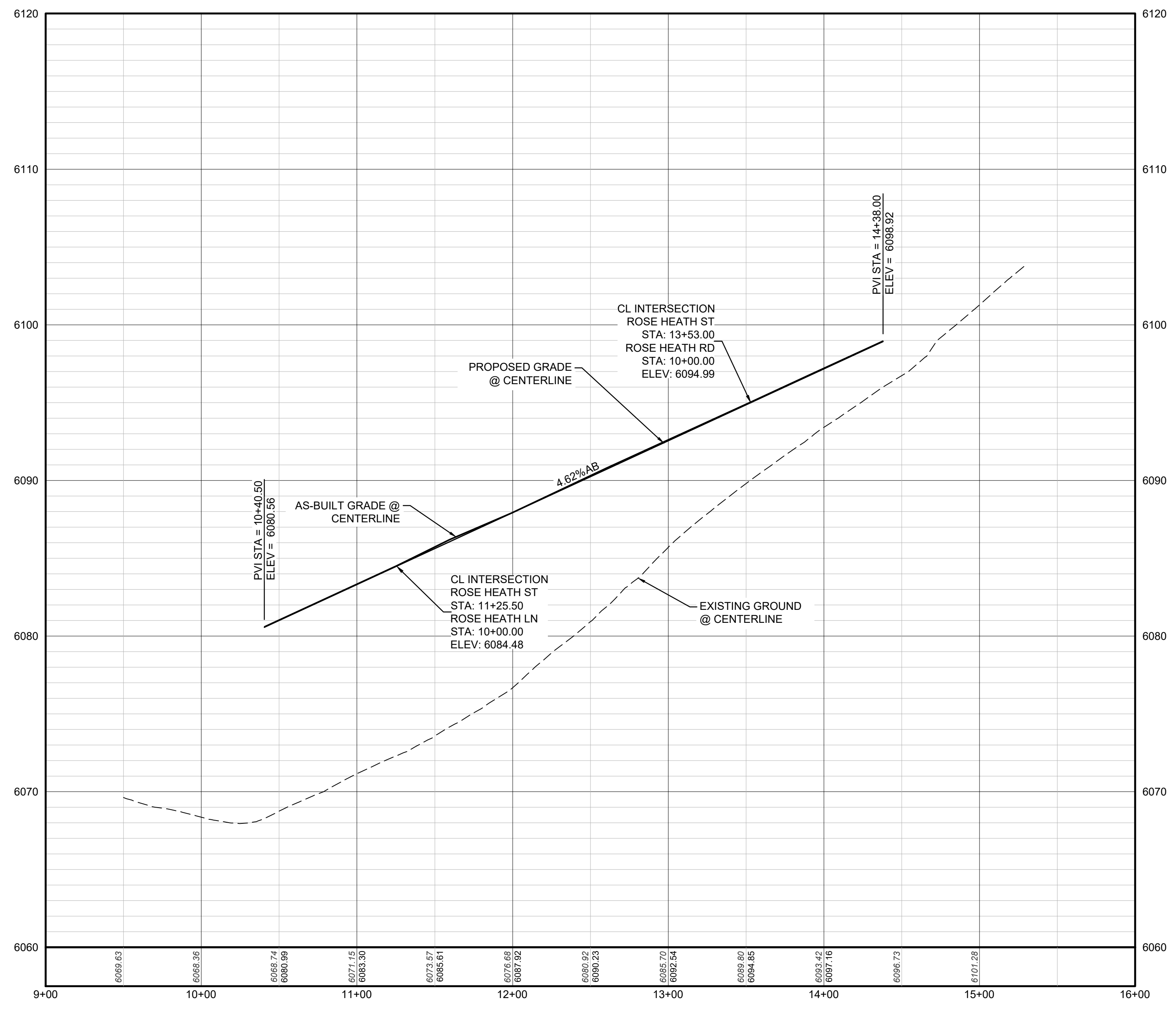


PLAN: ROSE HEATH ST STA: 9+50.00 TO 16+50.00
HORIZONTAL SCALE: 1" = 50'



KEYMAP
N.T.S.



PROFILE: ROSE HEATH ST STA: 9+00.00 TO 16+00.00
HORIZONTAL: 1" = 50'
VERTICAL: 1" = 5'

LEGEND

(2) BLOCK NUMBER	△ PROPOSED RANGE POINT
(A) LOT TYPE	--- CENTERLINE
6 LOT NUMBER	--- RIGHT-OF-WAY
PROPOSED BUTTERFLY VALVE	--- PROPERTY LINE
PROPOSED CAP WITH END OF LINE BLOWOFF	--- EDGE OF PAVEMENT
PROPOSED REDUCER	→ PROPOSED DIRECTION OF FLOW
PROPOSED VALVE	1.0% PROPOSED SLOPE & DIRECTION
PROPOSED FIRE HYDRANT	5615 EXISTING 5' CONTOUR
PROPOSED WL FITTING WITH THRUST BLOCK	5616 EXISTING 1' CONTOUR
PROPOSED FLARED END SECTION	5620 PROPOSED 5' CONTOUR
PROPOSED LOW POINT BLOW-OFF	5607 PROPOSED 1' CONTOUR
PROPOSED AIR VALVE	--- PROPOSED STORM DRAIN
FUTURE PHASE VALVE	--- PROPOSED SEWER LINE WITH MANHOLE
FUTURE FIRE HYDRANT	--- PROPOSED SEWER LATERAL
PROPOSED LIGHT POLE	8" W --- PROPOSED WATER LINE
PROPOSED SIDEWALK RAMP	--- PROPOSED WATER LATERAL W/ METER
10.00 EXISTING ELEVATION	--- SECTION LINE
10.00 PROPOSED DESIGN ELEVATION	--- FILING BOUNDARY
PROPOSED STORM DRAIN INLET	FO --- EXISTING FIBER
PROPOSED STORM DRAIN MANHOLE	OH --- EXISTING OVERHEAD POWER
	TEL --- EXISTING TELEPHONE LINE
	--- PWS D EASEMENT
	--- TYP. EASEMENT

ABBREVIATIONS

AD ANGLE DIFFERENCE	MH MANHOLE
AV AIR VAC RELEASE VALVE	N.T.S. NOT TO SCALE
BVC BEGIN VERTICAL CURVE	PVC POLYVINYL CHLORIDE
BVP BEGIN VERTICAL PROFILE	PVI PT. OF VERTICAL INTERSECTION
CBO CAP WITH BLOW OFF	PVT POINT OF VERTICAL TANGENT
CRR CURB RETURN RADIUS	ROCB REINFORCED CONCRETE BOX CULVERT
EL ELEVATION	ROCP REINFORCED CONCRETE PIPE
EP EDGE OF PAVEMENT	ROW RIGHT OF WAY
EVC END VERTICAL CURVE	SC SANITARY CAP
EVP END VERTICAL PROFILE	SD STORM DRAIN
FG FINISHED GROUND	SL SECTION LINE
FH FIRE HYDRANT	SS SANITARY SEWER
FL FLOW LINE	STA STATION
GV GATE VALVE	T.O.P. TOP OF PIPE
HCR HANDICAP CURB RAMP	UE UTILITY EASEMENT
HP HIGH POINT	VC VERTICAL CURVE
INV INVERT	WL WATER LINE
K CURVATURE COEFFICIENT	WLC WATER LINE CONNECTION
LF LINEAR FEET	WSE WATER SURFACE ELEVATION

AS-BUILT FILING 14
SURVEY INFORMATION
SUPPLIED BY AZTEC
CONSULTANTS ON 6-24-21 & 7-28-21

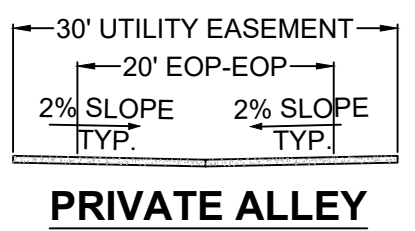
PREPARED UNDER THE SUPERVISION OF

BRIAN P. WILSON
COLORADO P.E. 0050067

THE TOWN OF PARKER REVIEW CONSTITUTES GENERAL COMPLIANCE WITH THE TOWN'S STANDARDS AND APPROVED VARIANCES, SUBJECT TO THESE PLANS BEING STAMPED, SIGN, AND DATED BY THE PROFESSIONAL ENGINEER OF RECORD. REVIEW BY THE TOWN DOES NOT CONSTITUTE APPROVAL OF THE PLAN DESIGN OR ACCURACY AND CORRECTNESS OF ENGINEERING CALCULATIONS. ERRORS IN THE DESIGN OR CALCULATIONS REMAIN THE RESPONSIBILITY OF THE REGISTERED PROFESSIONAL ENGINEER WHOSE STAMP AND SIGNATURE ARE AFFIXED TO THIS DOCUMENT.

THIS REVIEW DOES NOT CONSTITUTE APPROVAL OF ANY PRIVATE ON-SITE IMPROVEMENTS WHICH MAY BE SHOWN. CONSTRUCTION CANNOT COMMENCE UNTIL ALL REQUIRED DRAINAGE/TRAFFIC REPORT(S), FINAL DEVELOPMENT PLAN(S), SPECIAL REVIEW(S), GRADING PERMIT, AND/OR OTHER PERMITS ARE COMPLETE, APPROVED AND ON FILE WITH THE TOWN OF PARKER.

TOWN OF PARKER, DIRECTOR OF ENGINEERING DATE



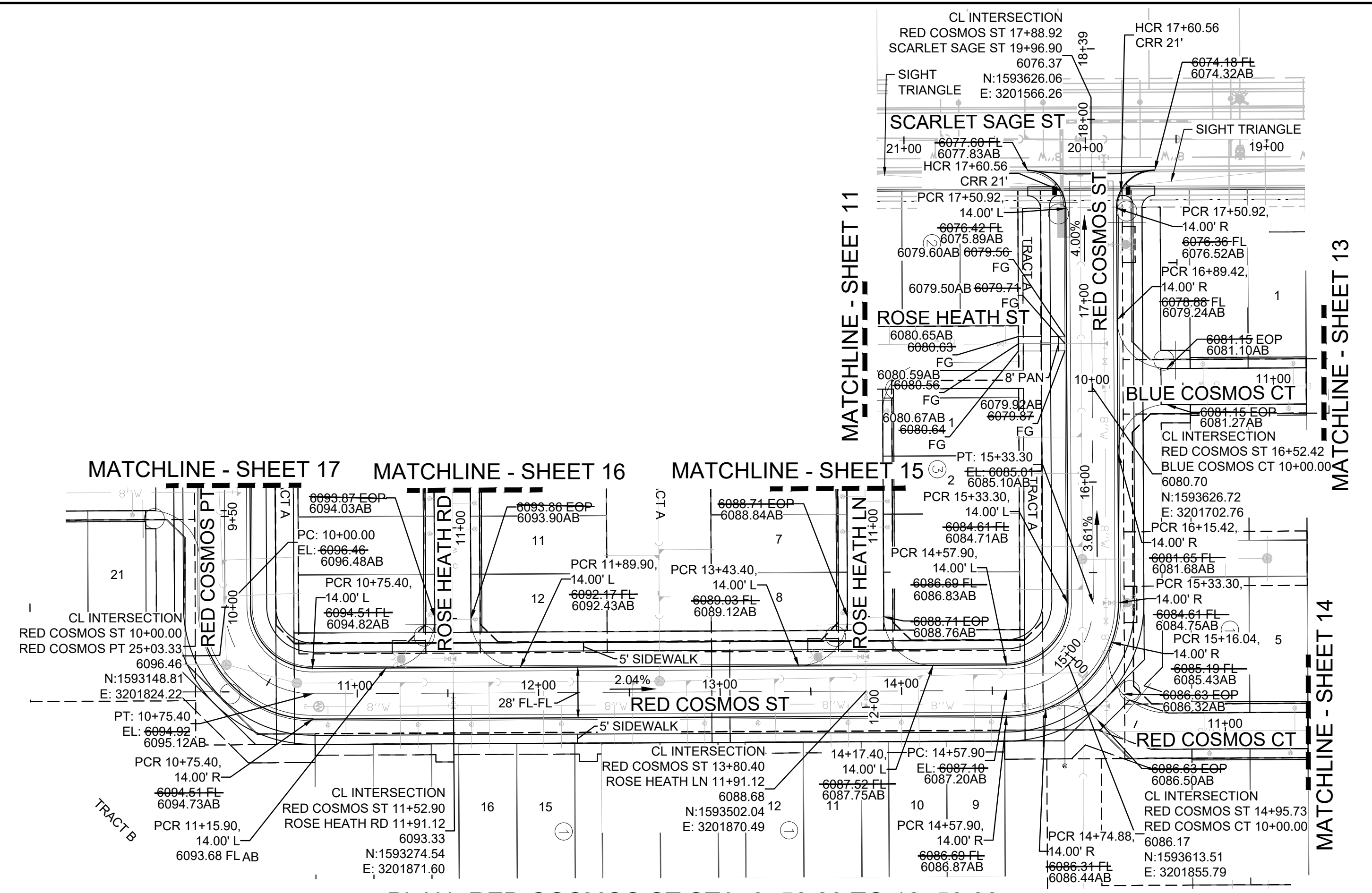
BENCHMARK
DOUGLAS COUNTY CONTROL POINT KNOWN AS 1.060032, BEING A 3-1/4" ALUMINUM CAP, BEING LOCATED IN THE SOUTHWEST QUARTER OF SECTION 33, TOWNSHIP 6 SOUTH, RANGE 66 WEST OF THE SIXTH PRINCIPAL MERIDIAN, HAVING A PUBLISHED ELEVATION OF 1799.2870 METERS (5903.13 FEET) NAVD '88 DATUM.

BASIS OF BEARINGS:
THE EAST LINE OF THE NORTHEAST QUARTER OF SAID SECTION 9 BEING MONUMENTED AT THE NORTHEAST CORNER OF SAID SECTION 9 BY A 3-1/4" ALUMINUM CAP STAMPED LS 23053 AND AT THE EAST QUARTER CORNER OF SAID SECTION 9 BY A 2-1/2" ALUMINUM CAP STAMPED LS 6935 BEING CONSIDERED TO BEAR SOUTH 00°15'06" EAST, 2648.70 FEET.

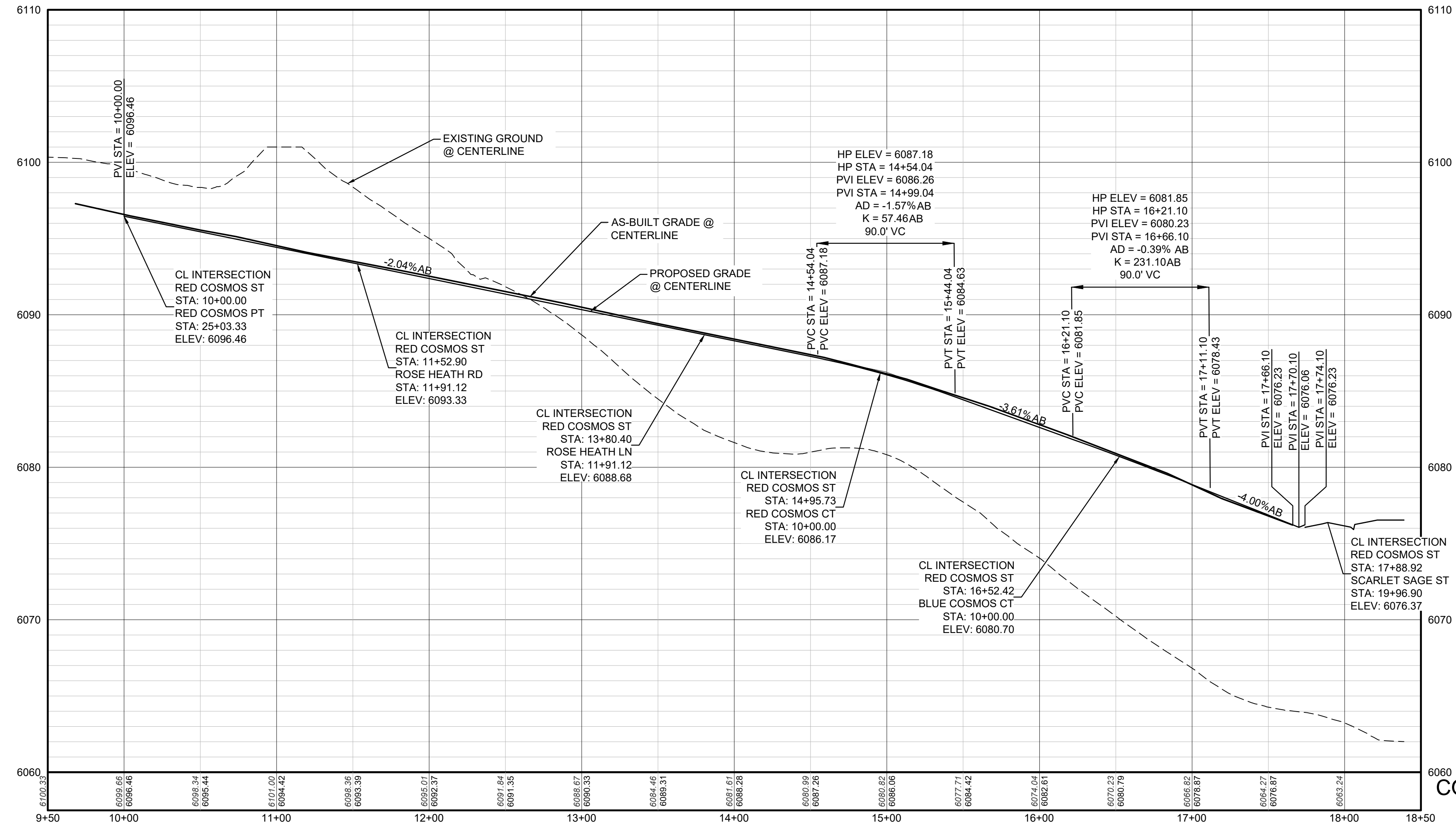
N:\PROJECTS\SS RANCH\ENGINEERING\SS SETS\MULTIFAMILY\CDS\F14\TOWN OF PARKER\STREET PLAN AND PROFILE\ROSE HEALTH ST.DWG. STRANCOEUR, 7/6/2021, 3:21 PM

CALL 811
TWO WORKING DAYS
BEFORE YOU DIG
UNCC
1-800-922-1987

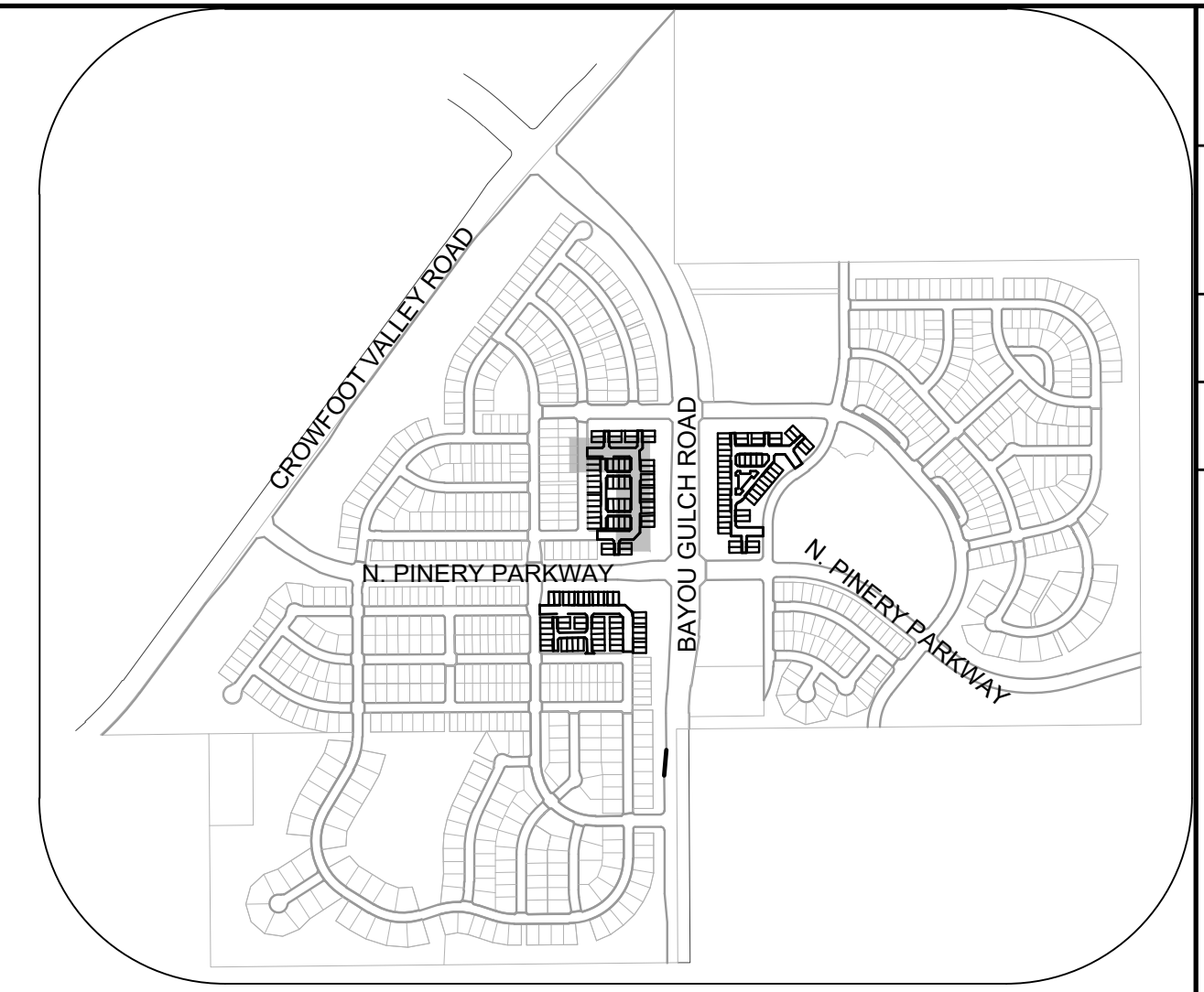
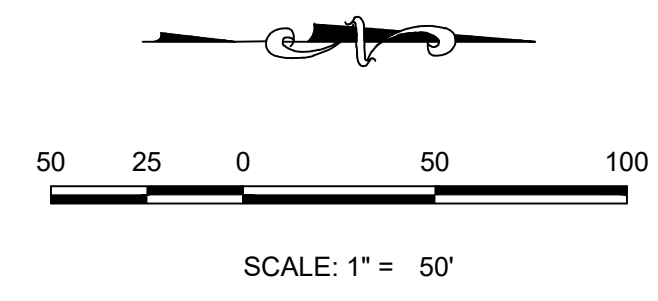
10333 E. Dry Creek Rd. Suite 240 Englewood, CO 80112 Tel: (720) 482-9528 Fax: (720) 482-9546		HR 935 LLC 7353 South Alton Way CENTENNIAL, CO 80112	TRAILS AT CROWFOOT FILING 14 CONSTRUCTION DRAWINGS STREET AND STORM PLAN & PROFILE ROSE HEALTH STREET	SCALE: AS SHOWN DRAWN BY: RRR CHECKED BY: BPW DATE: SEPTEMBER 2018	FILE NO: 8130283701						
SHEET NUMBER <div style="font-size: 2em; font-weight: bold; text-align: center;">11</div>		No. Revisions <table border="1"> <tr><th>No.</th><th>Date</th><th>Init.</th><th>Appr.</th><th>Date</th></tr> <tr><td> </td><td> </td><td> </td><td> </td><td> </td></tr> </table>	No.	Date	Init.	Appr.	Date				
No.	Date	Init.	Appr.	Date							



PLAN: RED COSMOS ST STA: 9+50.00 TO 18+50.00
HORIZONTAL SCALE: 1" = 50'



PROFILE: RED COSMOS ST STA: 9+50.00 TO 18+50.00
HORIZONTAL: 1" = 50'
VERTICAL: 1" = 5'



KEYMAP
N.T.S.

LEGEND

⊙	BLOCK NUMBER	△	PROPOSED RANGE POINT
Ⓐ	LOT TYPE	---	CENTERLINE
6	LOT NUMBER	---	RIGHT-OF-WAY
⊕	PROPOSED BUTTERFLY VALVE	---	PROPERTY LINE
⌈	PROPOSED CAP WITH END OF LINE BLOWOFF	---	EDGE OF PAVEMENT
⊖	PROPOSED REDUCER	→	PROPOSED DIRECTION OF FLOW
⊕	PROPOSED VALVE	1.0%	PROPOSED SLOPE & DIRECTION
⊕	PROPOSED FIRE HYDRANT	---	EXISTING 5' CONTOUR
⊕	PROPOSED WL FITTING WITH THRUST BLOCK	---	EXISTING 1' CONTOUR
⊕	PROPOSED FLARED END SECTION	---	PROPOSED 5' CONTOUR
⊕	PROPOSED LOW POINT BLOW-OFF	---	PROPOSED 1' CONTOUR
⊕	PROPOSED AIR VALVE	---	PROPOSED STORM DRAIN
⊕	FUTURE PHASE VALVE	---	PROPOSED SEWER LINE WITH MANHOLE
⊕	FUTURE FIRE HYDRANT	---	PROPOSED SEWER LATERAL
⊕	PROPOSED LIGHT POLE	---	PROPOSED WATER LINE
⊕	PROPOSED SIDEWALK	---	PROPOSED WATER LATERAL W/ METER
⊕	PROPOSED SIDEWALK RAMP	---	SECTION LINE
10.00	EXISTING ELEVATION	---	FILING BOUNDARY
10.00	PROPOSED DESIGN ELEVATION	---	EXISTING FIBER
⊕	PROPOSED STORM DRAIN INLET	---	OPTIC LINE
⊕	PROPOSED STORM DRAIN MANHOLE	---	EXISTING OVERHEAD POWER
		---	EXISTING TELEPHONE LINE
		---	PWSD EASEMENT
		---	TYP. EASEMENT

ABBREVIATIONS

AD	ANGLE DIFFERENCE	MH	MANHOLE
AV	AIR VAC RELEASE VALVE	N.T.S.	NOT TO SCALE
BVC	BEGIN VERTICAL CURVE	PVC	POLYVINYL CHLORIDE
BVP	BEGIN VERTICAL PROFILE	PVI	PT. OF VERTICAL INTERSECTION
CBD	CAP WITH BLOW OFF	PVT	POINT OF VERTICAL TANGENT
CRR	CURB RETURN RADIUS	RCBC	REINFORCED CONCRETE BOX CULVERT
EL	ELEVATION	ROP	REINFORCED CONCRETE PIPE
EP	EDGE OF PAVEMENT	ROW	RIGHT OF WAY
EVC	END VERTICAL CURVE	SC	SANITARY CAP
EVP	END VERTICAL PROFILE	SD	STORM DRAIN
FG	FINISHED GROUND	SL	SECTION LINE
FH	FIRE HYDRANT	SS	SANITARY SEWER
FL	FLOW LINE	STA	STATION
GV	GATE VALVE	T.O.P.	TOP OF PIPE
HCR	HANDICAP CURB RAMP	UE	UTILITY EASEMENT
HP	HIGH POINT	VC	VERTICAL CURVE
INV	INVERT	WL	WATER LINE
K	CURVATURE COEFFICIENT	WLC	WATER LINE CONNECTION
LF	LINEAR FEET	WSE	WATER SURFACE ELEVATION

AS-BUILT FILING 14
SURVEY INFORMATION
SUPPLIED BY AZTEC CONSULTANTS ON 6-24-21 & 7-28-21

THE TOWN OF PARKER REVIEW CONSTITUTES GENERAL COMPLIANCE WITH THE TOWN'S STANDARDS AND APPROVED VARIANCES, SUBJECT TO THESE PLANS BEING STAMPED, SIGN, AND DATED BY THE PROFESSIONAL ENGINEER OF RECORD. REVIEW BY THE TOWN DOES NOT CONSTITUTE APPROVAL OF THE PLAN DESIGN OR ACCURACY AND CORRECTNESS OF ENGINEERING CALCULATIONS. ERRORS IN THE DESIGN OR CALCULATIONS REMAIN THE RESPONSIBILITY OF THE REGISTERED PROFESSIONAL ENGINEER WHOSE STAMP AND SIGNATURE ARE AFFIXED TO THIS DOCUMENT.

THIS REVIEW DOES NOT CONSTITUTE APPROVAL OF ANY PRIVATE ON-SITE IMPROVEMENTS WHICH MAY BE SHOWN. CONSTRUCTION CANNOT COMMENCE UNTIL ALL REQUIRED DRAINAGE/TRAFFIC REPORT(S), FINAL DEVELOPMENT PLAN(S), SPECIAL REVIEW(S), GRADING PERMIT, AND/OR OTHER PERMITS ARE COMPLETE, APPROVED AND ON FILE WITH THE TOWN OF PARKER.

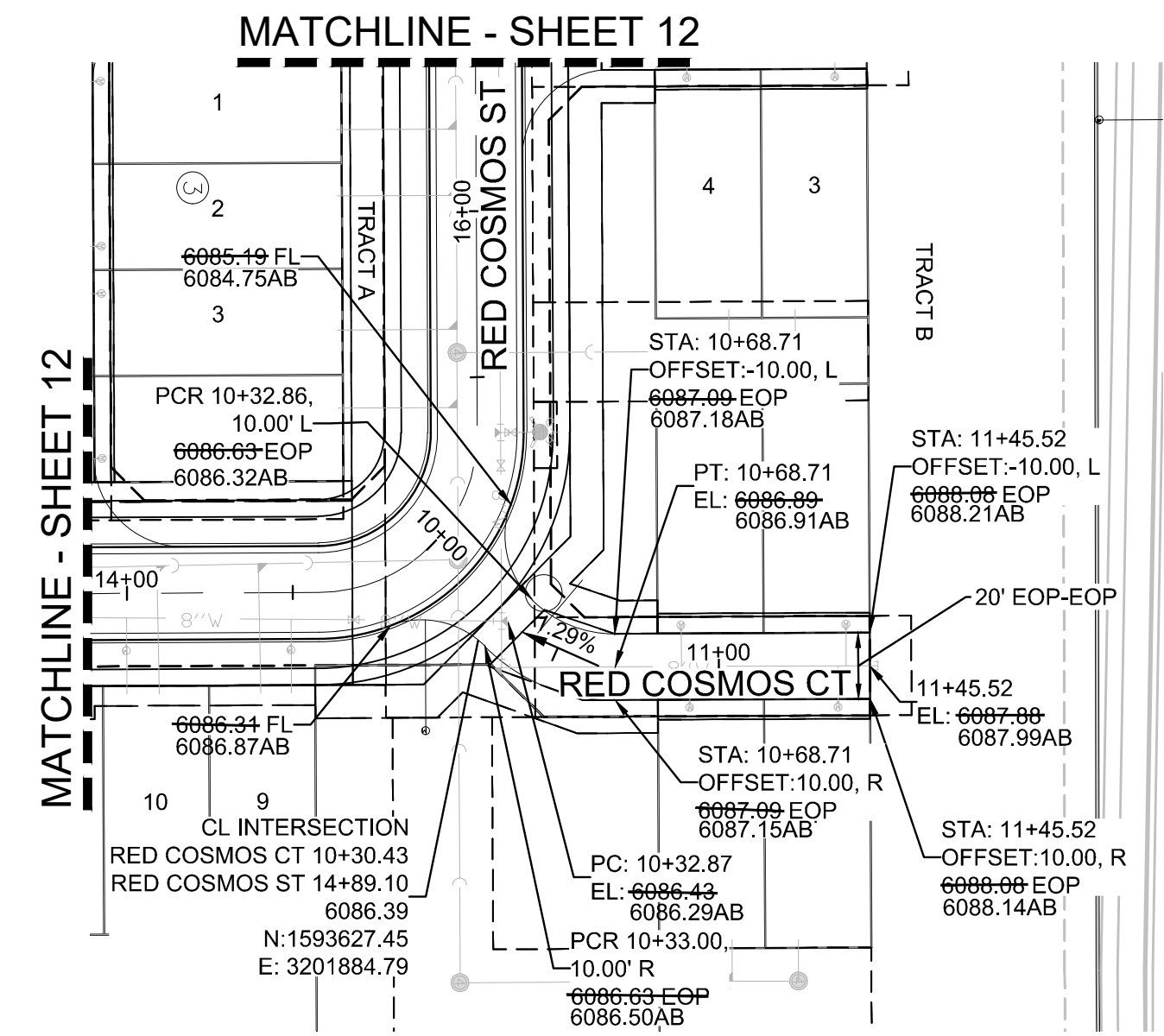
CALL 811
TWO WORKING DAYS
BEFORE YOU DIG
UNCC
1-800-922-1987

BENCHMARK
DOUGLAS COUNTY CONTROL POINT KNOWN AS 1.060302, BEING A 3-1/4" ALUMINUM CAP, BEING LOCATED IN THE SOUTHWEST QUARTER OF SECTION 33, TOWNSHIP 6 SOUTH, RANGE 66 WEST OF THE SIXTH PRINCIPAL MERIDIAN, HAVING A PUBLISHED ELEVATION OF 1799.2870 METERS (5903.13 FEET) NAVD '88 DATUM.

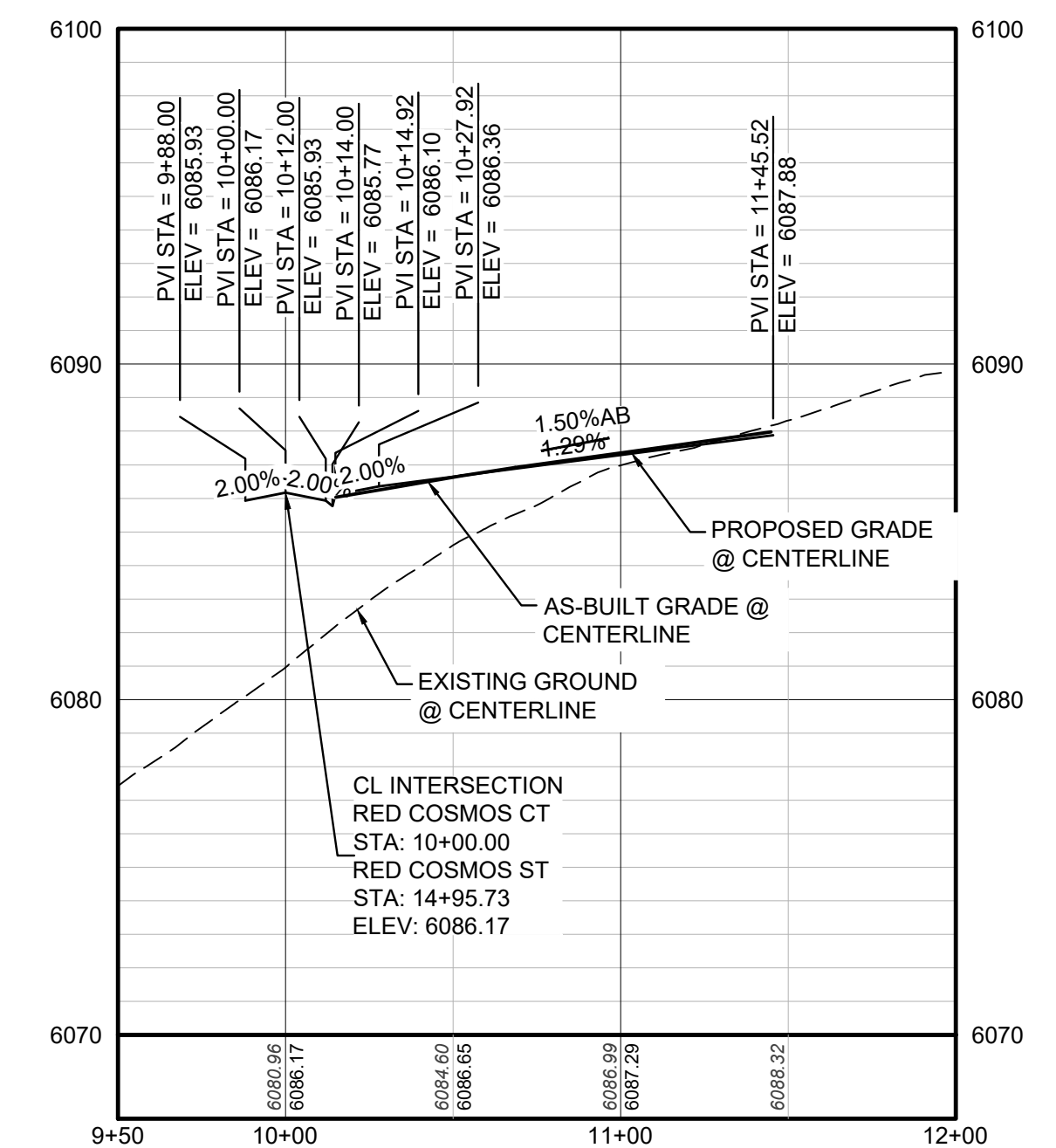
BASIS OF BEARINGS:
THE EAST LINE OF THE NORTHEAST QUARTER OF SAID SECTION 9 BEING MONUMENTED AT THE NORTHEAST CORNER OF SAID SECTION 9 BY A 3-1/4" ALUMINUM CAP STAMPED LS 23053 AND AT THE EAST QUARTER CORNER OF SAID SECTION 9 BY A 2-1/2" ALUMINUM CAP STAMPED LS 6935 BEING CONSIDERED TO BEAR SOUTH 00°15'06" EAST, 2648.70 FEET.

BRIAN P. WILSON
COLORADO P.E. 0050067

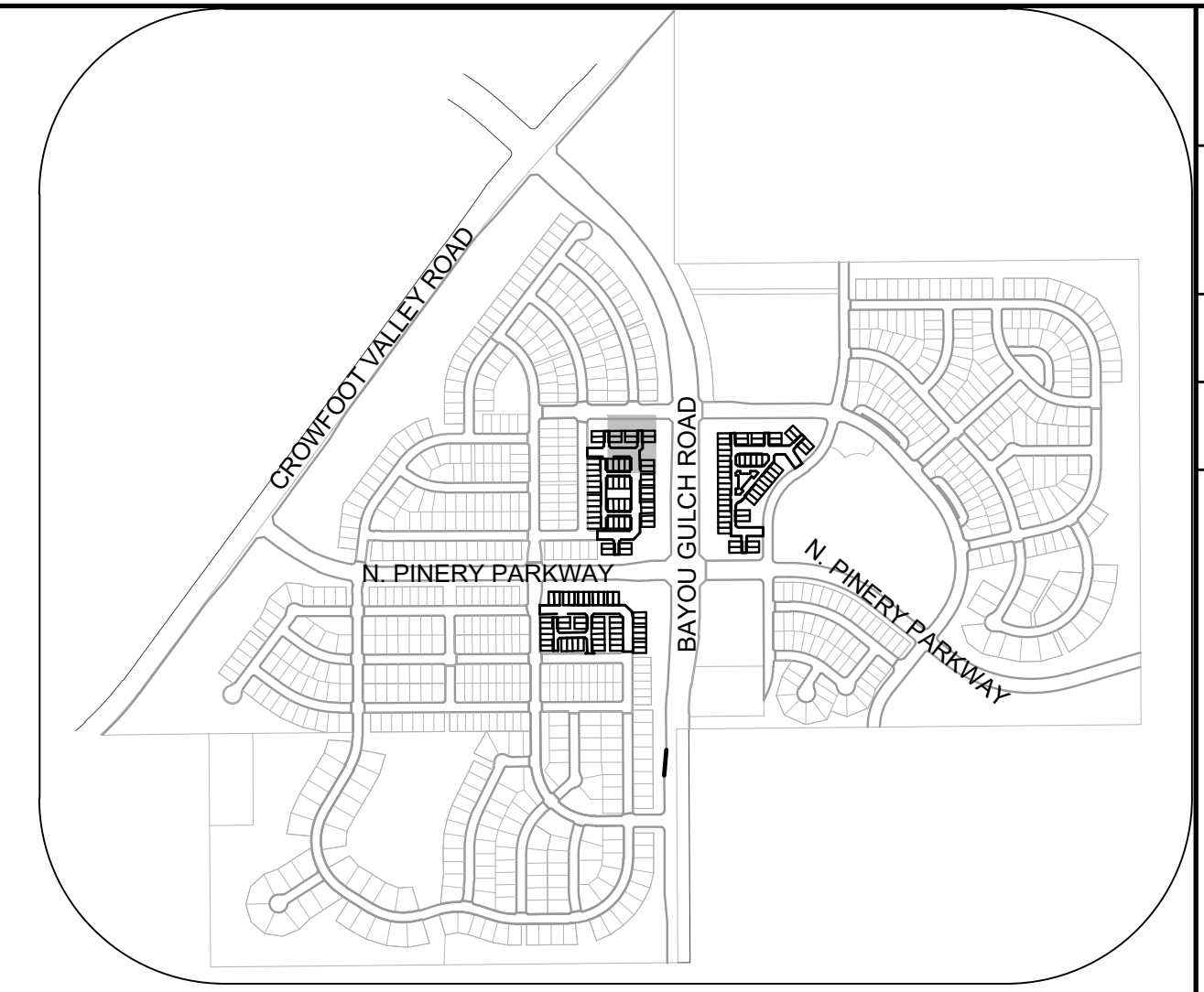
10335 E. Dry Creek Rd. Suite 240 Englewood, CO 80112 Tel: (720) 482-9526 Fax: (720) 482-9546		HR 935 LLC 7353 South Alton Way CENTENNIAL, CO 80112	TRAILS AT CROWFOOT FILING 14 CONSTRUCTION DRAWINGS STREET AND STORM PLAN & PROFILE RED COSMOS STREET	SCALE: AS SHOWN DRAWN BY: RRR CHECKED BY: BPW DATE: SEPTEMBER 2018	FILE NO: 8130283701	SHEET NUMBER: 12
No. Revisions Date Init. Appr. Date						



PLAN: RED COSMOS CT STA: 9+50.00 TO 12+00.00
HORIZONTAL SCALE: 1" = 50'



PROFILE: RED COSMOS CT STA: 9+50.00 TO 12+00.00
HORIZONTAL: 1" = 50'
VERTICAL: 1" = 5'



KEYMAP
N.T.S.

LEGEND

⊙	BLOCK NUMBER	△	PROPOSED RANGE POINT
Ⓐ	LOT TYPE	---	CENTERLINE
6	LOT NUMBER	---	RIGHT-OF-WAY
⊕	PROPOSED BUTTERFLY VALVE	---	PROPERTY LINE
⊞	PROPOSED CAP WITH END OF LINE BLOWOFF	---	EDGE OF PAVEMENT
⊟	PROPOSED REDUCER	→	PROPOSED DIRECTION OF FLOW
⊠	PROPOSED VALVE	1.0%	PROPOSED SLOPE & DIRECTION
⊡	PROPOSED FIRE HYDRANT	---	EXISTING 5' CONTOUR
⊢	PROPOSED WL FITTING WITH THRUST BLOCK	---	EXISTING 1' CONTOUR
⊣	PROPOSED FLARED END SECTION	---	PROPOSED 5' CONTOUR
⊤	PROPOSED LOW POINT BLOW-OFF	---	PROPOSED 1' CONTOUR
⊥	PROPOSED AIR VALVE	---	PROPOSED STORM DRAIN
⊦	FUTURE PHASE VALVE	---	PROPOSED SEWER LINE WITH MANHOLE
⊧	FUTURE FIRE HYDRANT	---	PROPOSED SEWER LATERAL
⊨	PROPOSED LIGHT POLE	---	PROPOSED WATER LINE
⊩	PROPOSED SIDEWALK RAMP	---	PROPOSED WATER LATERAL W/ METER
10.00	EXISTING ELEVATION	---	SECTION LINE
10.00	PROPOSED DESIGN ELEVATION	---	FILING BOUNDARY
⊞	PROPOSED STORM DRAIN INLET	---	EXISTING FIBER OPTIC LINE
⊟	PROPOSED STORM DRAIN MANHOLE	---	EXISTING OVERHEAD POWER
		---	EXISTING TELEPHONE LINE
		---	PWSD EASEMENT
		---	TYP. EASEMENT

ABBREVIATIONS

AD	ANGLE DIFFERENCE	MH	MANHOLE
AV	AIR VAC RELEASE VALVE	N.T.S.	NOT TO SCALE
BVC	BEGIN VERTICAL CURVE	PVC	POLYVINYL CHLORIDE
BVP	BEGIN VERTICAL PROFILE	PVI	PT. OF VERTICAL INTERSECTION
CBO	CAP WITH BLOW OFF	PVT	POINT OF VERTICAL TANGENT
CRR	CURB RETURN RADIUS	RCBC	REINFORCED CONCRETE BOX CULVERT
EL	ELEVATION	ROP	REINFORCED CONCRETE PIPE
EP	EDGE OF PAVEMENT	ROW	RIGHT OF WAY
EVC	END VERTICAL CURVE	SC	SANITARY CAP
EVP	END VERTICAL PROFILE	SD	STORM DRAIN
FG	FINISHED GROUND	SL	SECTION LINE
FH	FIRE HYDRANT	SS	SANITARY SEWER
FL	FLOW LINE	STA	STATION
GV	GATE VALVE	T.O.P.	TOP OF PIPE
HCR	HANDICAP CURB RAMP	UE	UTILITY EASEMENT
HP	HIGH POINT	VC	VERTICAL CURVE
INV	INVERT	WL	WATER LINE
K	CURVATURE COEFFICIENT	WLC	WATER LINE CONNECTION
LF	LINEAR FEET	WSE	WATER SURFACE ELEVATION

AS-BUILT FILING 14
SURVEY INFORMATION
SUPPLIED BY AZTEC CONSULTANTS ON 6-24-21 & 7-28-21

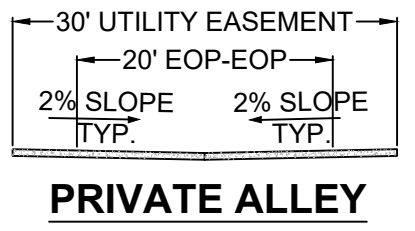
PREPARED UNDER THE SUPERVISION OF

BRIAN P. WILSON
COLORADO P.E. 0050607

THE TOWN OF PARKER REVIEW CONSTITUTES GENERAL COMPLIANCE WITH THE TOWN'S STANDARDS AND APPROVED VARIANCES, SUBJECT TO THESE PLANS BEING STAMPED, SIGN, AND DATED BY THE PROFESSIONAL ENGINEER OF RECORD. REVIEW BY THE TOWN DOES NOT CONSTITUTE APPROVAL OF THE PLAN DESIGN OR ACCURACY AND CORRECTNESS OF ENGINEERING CALCULATIONS. ERRORS IN THE DESIGN OR CALCULATIONS REMAIN THE RESPONSIBILITY OF THE REGISTERED PROFESSIONAL ENGINEER WHOSE STAMP AND SIGNATURE ARE AFFIXED TO THIS DOCUMENT.

THIS REVIEW DOES NOT CONSTITUTE APPROVAL OF ANY PRIVATE ON-SITE IMPROVEMENTS WHICH MAY BE SHOWN. CONSTRUCTION CANNOT COMMENCE UNTIL ALL REQUIRED DRAINAGE/TRAFFIC REPORT(S), FINAL DEVELOPMENT PLAN(S), SPECIAL REVIEW(S), GRADING PERMIT, AND/OR OTHER PERMITS ARE COMPLETE, APPROVED AND ON FILE WITH THE TOWN OF PARKER.

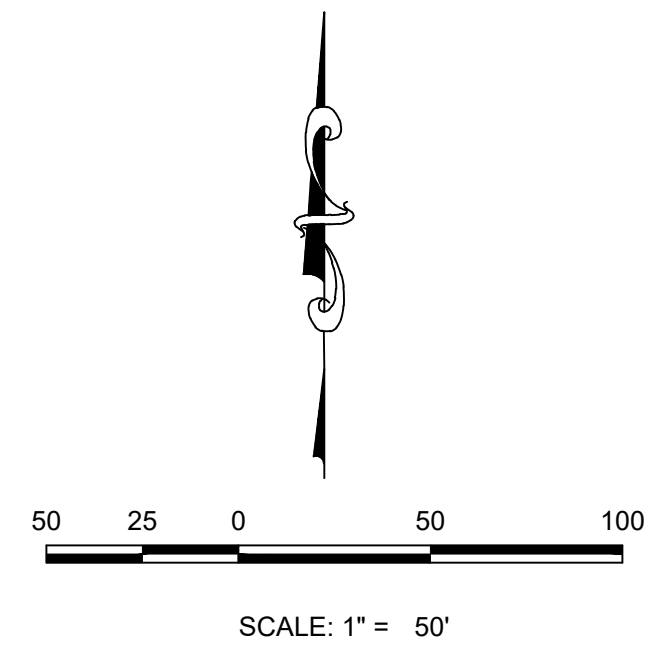
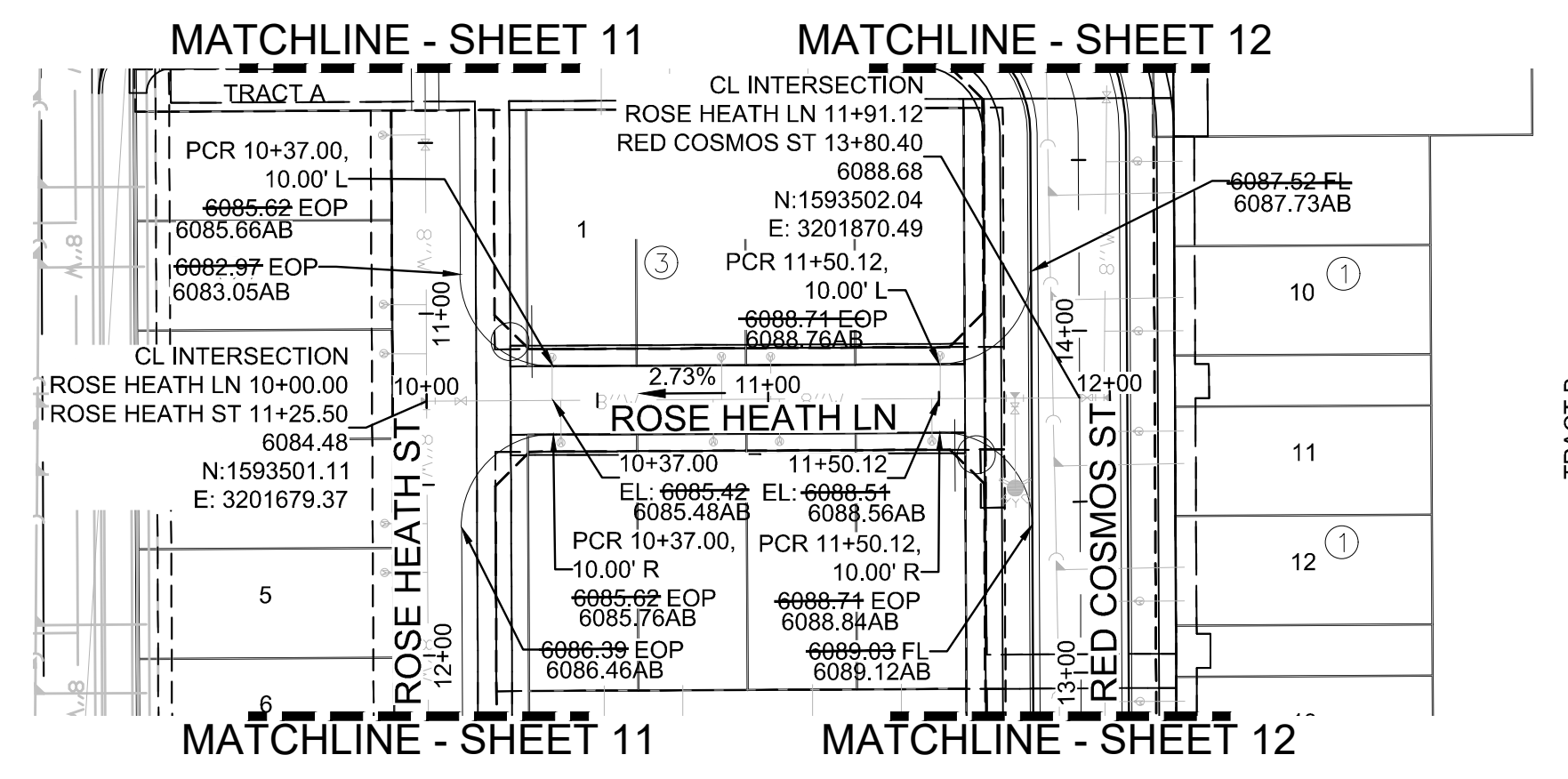
CALL 811
TWO WORKING DAYS
BEFORE YOU DIG
UNCC
1-800-922-1987



BENCHMARK
DOUGLAS COUNTY CONTROL POINT KNOWN AS 1.060032, BEING A 3-1/4" ALUMINUM CAP, BEING LOCATED IN THE SOUTHWEST QUARTER OF SECTION 33, TOWNSHIP 6 SOUTH, RANGE 68 WEST OF THE SIXTH PRINCIPAL MERIDIAN, HAVING A PUBLISHED ELEVATION OF 1799.2870 METERS (5903.13 FEET) NAVD '88 DATUM.

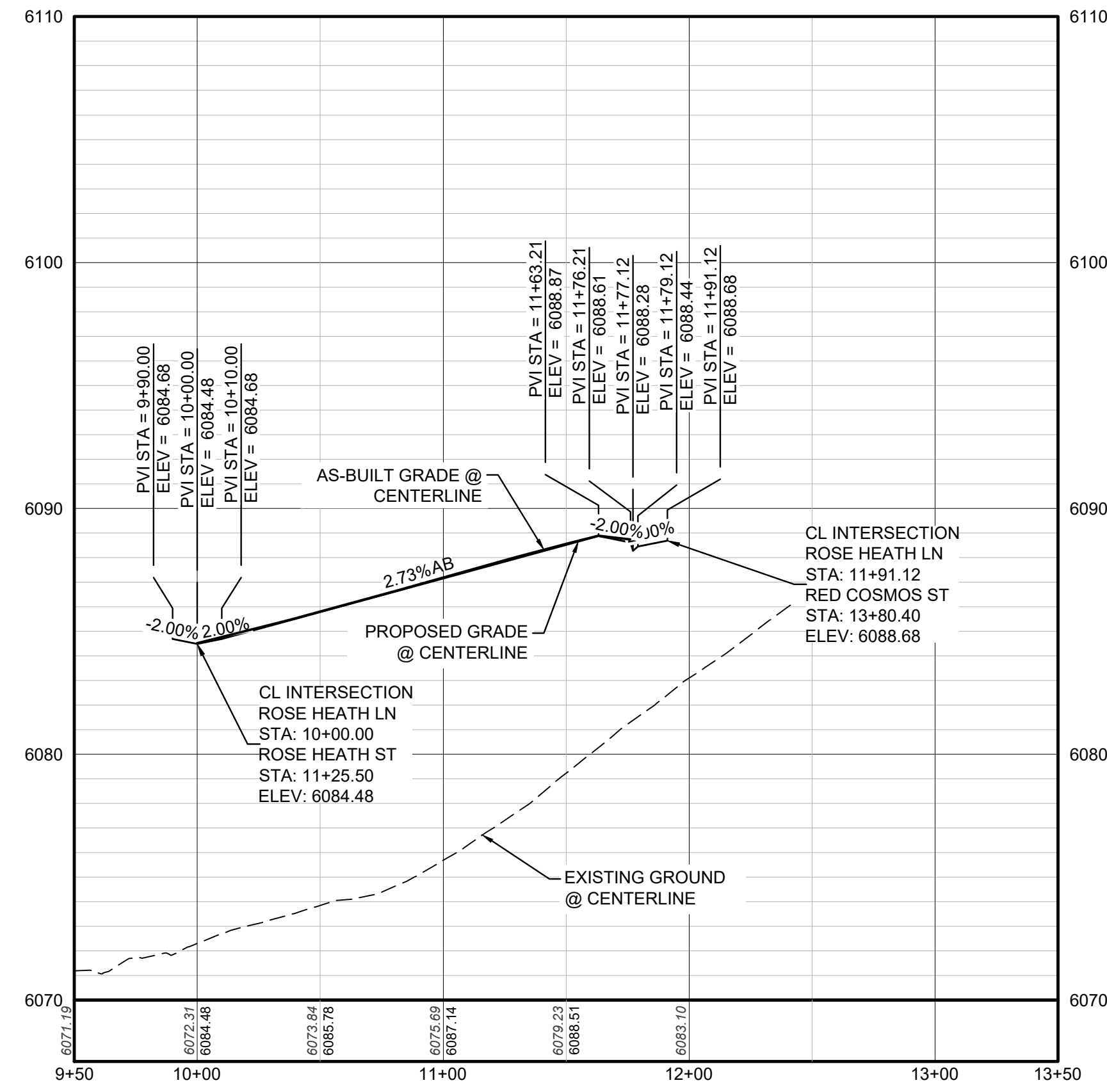
BASIS OF BEARINGS:
THE EAST LINE OF THE NORTHEAST QUARTER OF SAID SECTION 9 BEING MONUMENTED AT THE NORTHEAST CORNER OF SAID SECTION 9 BY A 3-1/4" ALUMINUM CAP STAMPED LS 23053 AND AT THE EAST QUARTER CORNER OF SAID SECTION 9 BY A 2-1/2" ALUMINUM CAP STAMPED LS 6935 BEING CONSIDERED TO BEAR SOUTH 00°15'06" EAST, 2648.70 FEET.

10333 E. Dry Creek Rd. Suite 240 Englewood, CO 80112 Tel: (720) 482-9529 Fax: (720) 482-9546	CVL CONSULTANTS	10333 E. Dry Creek Rd. Suite 240 Englewood, CO 80112 Tel: (720) 482-9529 Fax: (720) 482-9546
HR 935 LLC 7353 South Alton Way CENTENNIAL, CO 80112	TRAILS AT CROWFOOT FILING 14 CONSTRUCTION DRAWINGS STREET AND STORM PLAN & PROFILE RED COSMOS COURT	SCALE: AS SHOWN FILE NO: 8130283701
DRAWN BY: RRR	CHECKED BY: BPW	DATE: SEPTEMBER 2018
SHEET NUMBER	14	DATE



KEYMAP
N.T.S.

PLAN: ROSE HEATH LN STA: 9+50.00 TO 13+50.00
HORIZONTAL SCALE: 1" = 50'



PROFILE: ROSE HEATH LN STA: 9+50.00 TO 13+50.00
HORIZONTAL: 1" = 50'
VERTICAL: 1" = 5'

LEGEND

⊙	BLOCK NUMBER	△	PROPOSED RANGE POINT
Ⓐ	LOT TYPE	---	CENTERLINE
⊞	LOT NUMBER	---	RIGHT-OF-WAY
⊞	PROPOSED BUTTERFLY VALVE	---	PROPERTY LINE
⊞	PROPOSED CAP WITH END OF LINE BLOWOFF	---	EDGE OF PAVEMENT
⊞	PROPOSED REDUCER	→	PROPOSED DIRECTION OF FLOW
⊞	PROPOSED VALVE	1.0%	PROPOSED SLOPE & DIRECTION
⊞	PROPOSED FIRE HYDRANT	---	EXISTING 5' CONTOUR
⊞	PROPOSED WL FITTING WITH THRUST BLOCK	---	EXISTING 1' CONTOUR
⊞	PROPOSED FLARED END SECTION	---	PROPOSED 5' CONTOUR
⊞	PROPOSED LOW POINT BLOW-OFF	---	PROPOSED 1' CONTOUR
⊞	PROPOSED AIR VALVE	---	PROPOSED STORM DRAIN
⊞	FUTURE PHASE VALVE	---	PROPOSED SEWER LINE WITH MANHOLE
⊞	FUTURE FIRE HYDRANT	---	PROPOSED SEWER LATERAL
⊞	PROPOSED LIGHT POLE	---	PROPOSED WATER LINE
⊞	PROPOSED SIDEWALK RAMP	---	PROPOSED WATER LATERAL W/ METER
10.00	EXISTING ELEVATION	---	SECTION LINE
10.00	PROPOSED DESIGN ELEVATION	---	FILING BOUNDARY
⊞	PROPOSED STORM DRAIN INLET	---	FO
⊞	PROPOSED STORM DRAIN MANHOLE	---	OH
		---	TEL
		---	EXISTING TELEPHONE LINE
		---	PWSD EASEMENT
		---	TYP. EASEMENT

ABBREVIATIONS

AD	ANGLE DIFFERENCE	MH	MANHOLE
AV	AIR VAC RELEASE VALVE	N.T.S.	NOT TO SCALE
BVC	BEGIN VERTICAL CURVE	PVC	POLYVINYL CHLORIDE
BVP	BEGIN VERTICAL PROFILE	PVI	PT. OF VERTICAL INTERSECTION
CBO	CAP WITH BLOW OFF	PVT	POINT OF VERTICAL TANGENT
CRR	CURB RETURN RADIUS	RCBC	REINFORCED CONCRETE BOX CULVERT
EL	ELEVATION	ROP	REINFORCED CONCRETE PIPE
EP	EDGE OF PAVEMENT	ROW	RIGHT OF WAY
EVC	END VERTICAL CURVE	SC	SANITARY CAP
EVP	END VERTICAL PROFILE	SD	STORM DRAIN
FG	FINISHED GROUND	SL	SECTION LINE
FH	FIRE HYDRANT	SS	SANITARY SEWER
FL	FLOW LINE	STA	STATION
GV	GATE VALVE	T.O.P.	TOP OF PIPE
HCR	HANDICAP CURB RAMP	UE	UTILITY EASEMENT
HP	HIGH POINT	VC	VERTICAL CURVE
INV	INVERT	WL	WATER LINE
K	CURVATURE COEFFICIENT	WLC	WATER LINE CONNECTION
LF	LINEAR FEET	WSE	WATER SURFACE ELEVATION

AS-BUILT FILING 14
SURVEY INFORMATION
SUPPLIED BY AZTEC CONSULTANTS ON 6-24-21 & 7-28-21

PREPARED UNDER THE SUPERVISION OF

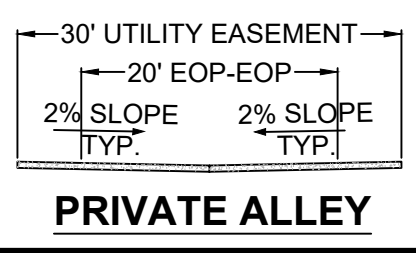
BRIAN P. WILSON
COLORADO P.E. 0050067

THE TOWN OF PARKER REVIEW CONSTITUTES GENERAL COMPLIANCE WITH THE TOWN'S STANDARDS AND APPROVED VARIANCES, SUBJECT TO THESE PLANS BEING STAMPED, SIGN, AND DATED BY THE PROFESSIONAL ENGINEER OF RECORD. REVIEW BY THE TOWN DOES NOT CONSTITUTE APPROVAL OF THE PLAN DESIGN OR ACCURACY AND CORRECTNESS OF ENGINEERING CALCULATIONS. ERRORS IN THE DESIGN OR CALCULATIONS REMAIN THE RESPONSIBILITY OF THE REGISTERED PROFESSIONAL ENGINEER WHOSE STAMP AND SIGNATURE ARE AFFIXED TO THIS DOCUMENT.

THIS REVIEW DOES NOT CONSTITUTE APPROVAL OF ANY PRIVATE ON-SITE IMPROVEMENTS WHICH MAY BE SHOWN. CONSTRUCTION CANNOT COMMENCE UNTIL ALL REQUIRED DRAINAGE/TRAFFIC REPORT(S), FINAL DEVELOPMENT PLAN(S), SPECIAL REVIEW(S), GRADING PERMIT, AND/OR OTHER PERMITS ARE COMPLETE, APPROVED AND ON FILE WITH THE TOWN OF PARKER.

TOWN OF PARKER, DIRECTOR OF ENGINEERING _____ DATE _____

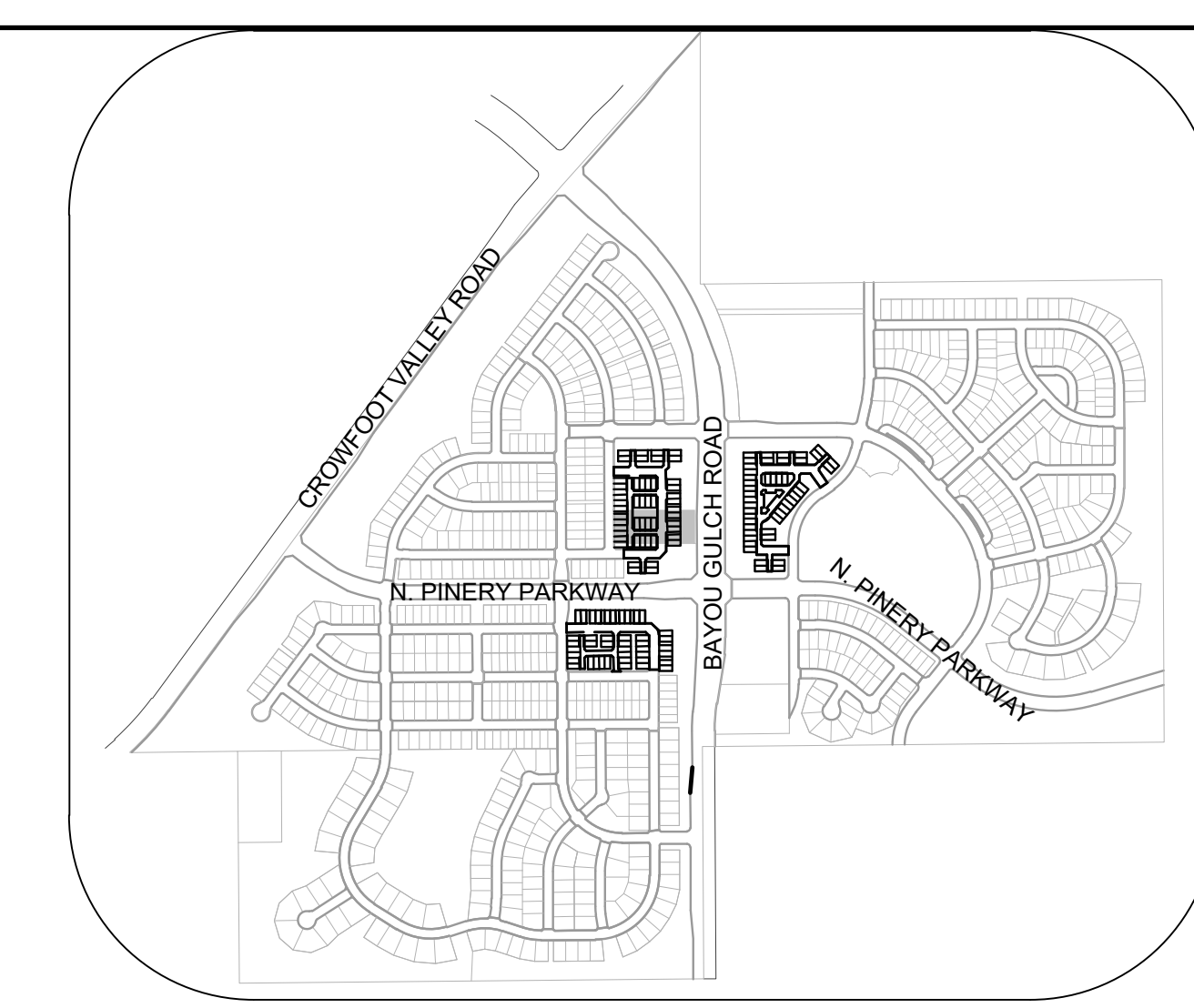
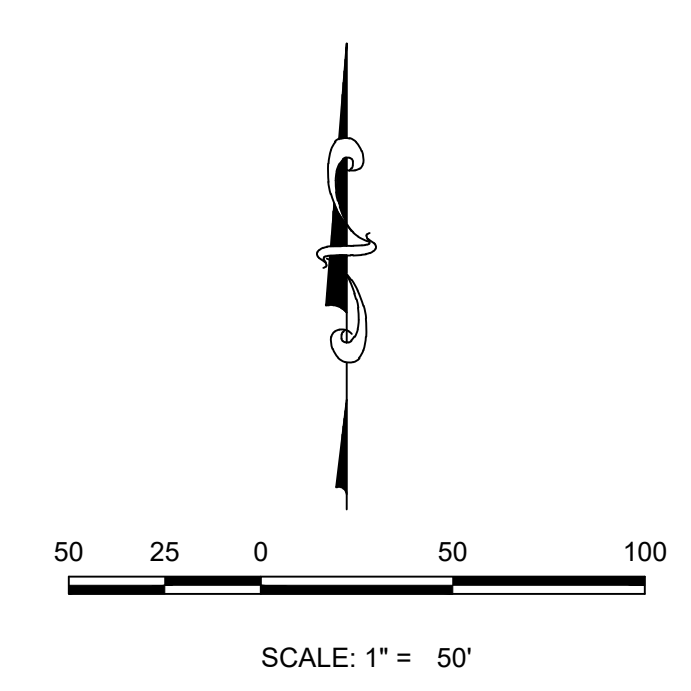
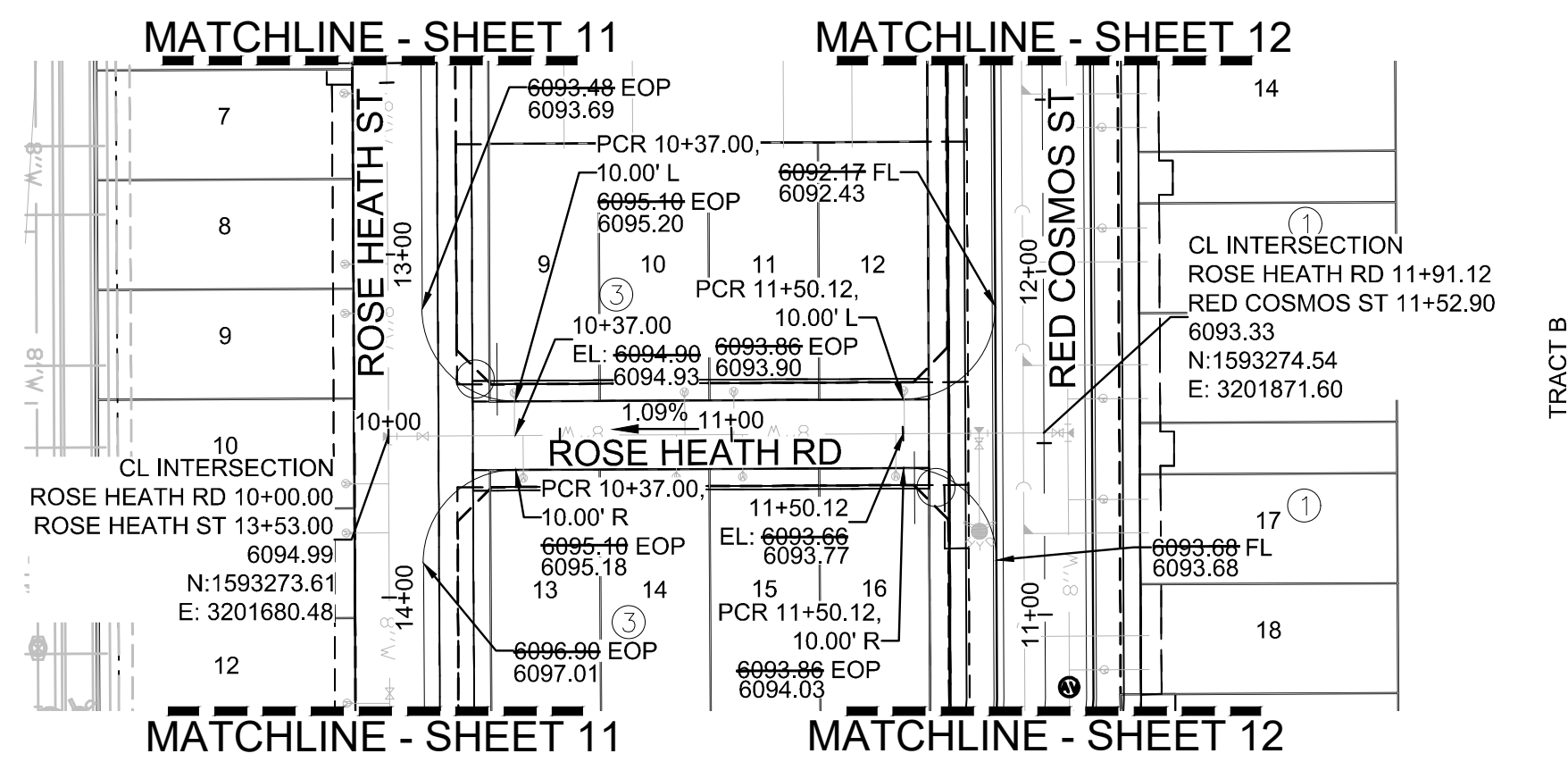
CALL 811
TWO WORKING DAYS
BEFORE YOU DIG
UNCC
1-800-922-1987



BENCHMARK
DOUGLAS COUNTY CONTROL POINT KNOWN AS 1.060032, BEING A 3-1/4" ALUMINUM CAP, BEING LOCATED IN THE SOUTHWEST QUARTER OF SECTION 33, TOWNSHIP 6 SOUTH, RANGE 68 WEST OF THE SIXTH PRINCIPAL MERIDIAN, HAVING A PUBLISHED ELEVATION OF 1799.2870 METERS (5903.13 FEET) NAVD '88 DATUM.

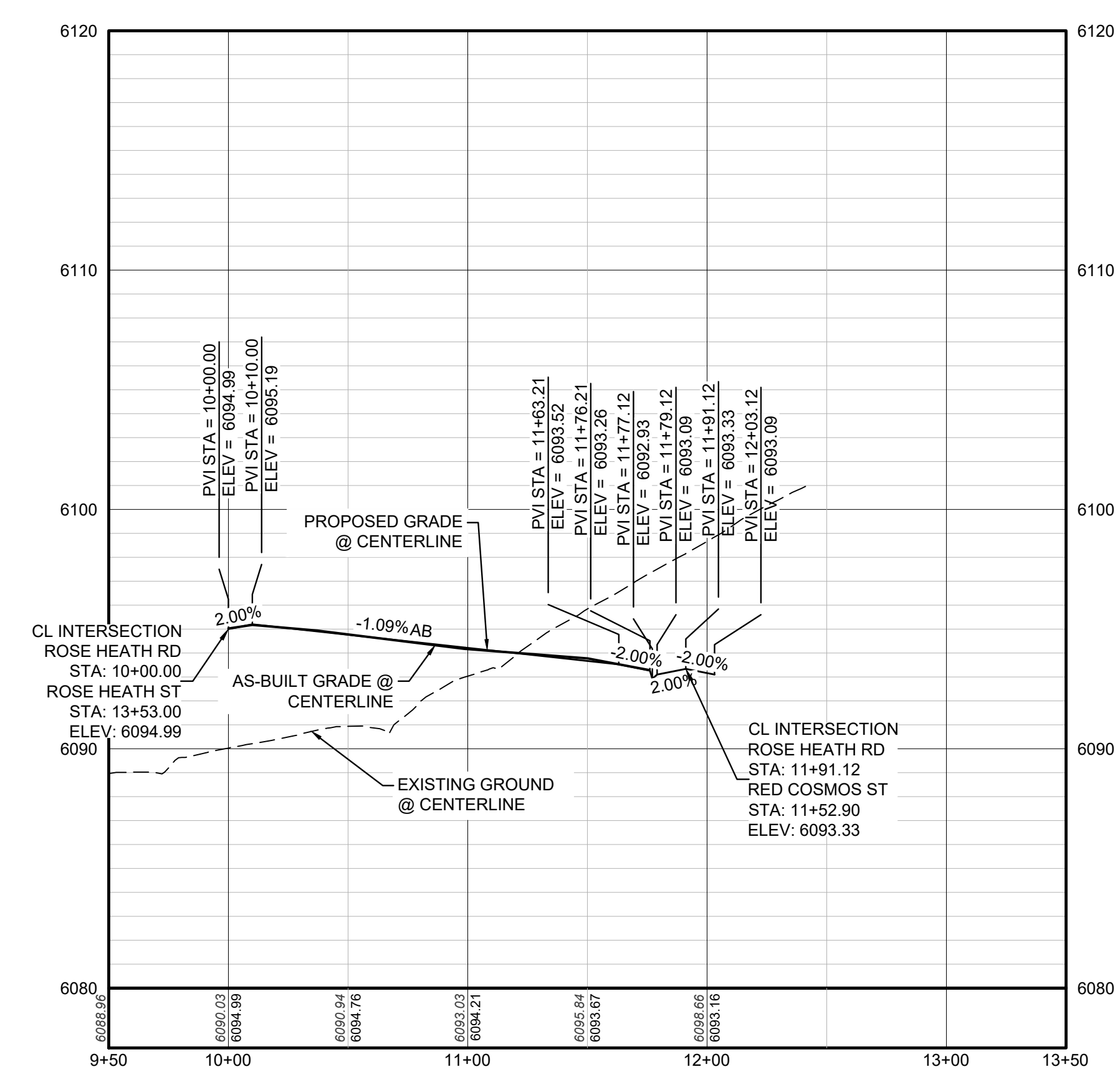
BASIS OF BEARINGS:
THE EAST LINE OF THE NORTHEAST QUARTER OF SAID SECTION 9 BEING MONUMENTED AT THE NORTHEAST CORNER OF SAID SECTION 9 BY A 3-1/4" ALUMINUM CAP STAMPED LS 23053 AND AT THE EAST QUARTER CORNER OF SAID SECTION 9 BY A 2-1/2" ALUMINUM CAP STAMPED LS 6935 BEING CONSIDERED TO BEAR SOUTH 00°15'06" EAST, 2648.70 FEET.

10333 E. Dry Creek Rd. Suite 240 Englewood, CO 80112 Tel: (720) 482-9528 Fax: (720) 482-9546	CVL CONSULTANTS	HR 935 LLC 7353 South Alton Way CENTENNIAL, CO 80112	TRAILS AT CROWFOOT FILING 14 CONSTRUCTION DRAWINGS STREET AND STORM PLAN & PROFILE ROSE HEATH LANE	SCALE: AS SHOWN FILE NO: 8130283701	DRAWN BY: RRR CHECKED BY: BPW DATE: SEPTEMBER 2018	SHEET NUMBER 15
--	---------------------------	--	---	--	--	---------------------------



KEYMAP
N.T.S.

PLAN: ROSE HEATH RD STA: 9+50.00 TO 13+50.00
HORIZONTAL SCALE: 1" = 50'



PROFILE: ROSE HEATH RD STA: 9+50.00 TO 13+50.00
HORIZONTAL: 1" = 50'
VERTICAL: 1" = 5'

LEGEND

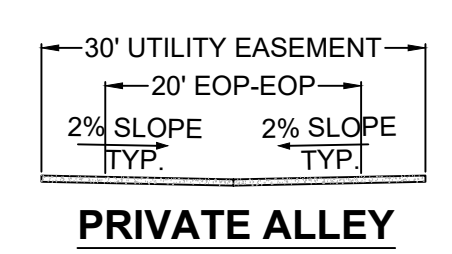
Ⓜ	BLOCK NUMBER	△	PROPOSED RANGE POINT
Ⓛ	LOT TYPE	---	CENTERLINE
6	LOT NUMBER	---	RIGHT-OF-WAY
Ⓜ	PROPOSED BUTTERFLY VALVE	---	PROPERTY LINE
Ⓜ	PROPOSED CAP WITH END OF LINE BLOWOFF	---	EDGE OF PAVEMENT
Ⓜ	PROPOSED REDUCER	→	PROPOSED DIRECTION OF FLOW
Ⓜ	PROPOSED VALVE	1.0%	PROPOSED SLOPE & DIRECTION
Ⓜ	PROPOSED FIRE HYDRANT	---	EXISTING 5' CONTOUR
Ⓜ	PROPOSED WL FITTING WITH THRUST BLOCK	---	EXISTING 1' CONTOUR
Ⓜ	PROPOSED FLARED END SECTION	---	PROPOSED 5' CONTOUR
Ⓜ	PROPOSED LOW POINT BLOW-OFF	---	PROPOSED 1' CONTOUR
Ⓜ	PROPOSED AIR VALVE	---	PROPOSED STORM DRAIN
Ⓜ	FUTURE PHASE VALVE	---	PROPOSED SEWER LINE WITH MANHOLE
Ⓜ	FUTURE FIRE HYDRANT	---	PROPOSED SEWER LATERAL
Ⓜ	PROPOSED LIGHT POLE	---	PROPOSED WATER LINE
Ⓜ	PROPOSED SIDEWALK RAMP	---	PROPOSED WATER LATERAL W/ METER
10.00	EXISTING ELEVATION	---	SECTION LINE
10.00	PROPOSED DESIGN ELEVATION	---	FILING BOUNDARY
Ⓜ	PROPOSED STORM DRAIN INLET	---	EXISTING FIBER OPTIC LINE
Ⓜ	PROPOSED STORM DRAIN MANHOLE	---	EXISTING OVERHEAD POWER
		---	EXISTING TELEPHONE LINE
		---	PWSD EASEMENT
		---	TYP. EASEMENT

ABBREVIATIONS

AD	ANGLE DIFFERENCE	MH	MANHOLE
AV	AIR VAC RELEASE VALVE	N.T.S.	NOT TO SCALE
BVC	BEGIN VERTICAL CURVE	PVC	POLYVINYL CHLORIDE
BVP	BEGIN VERTICAL PROFILE	PVI	PT. OF VERTICAL INTERSECTION
CBO	CAP WITH BLOW OFF	PVT	POINT OF VERTICAL TANGENT
CRR	CURB RETURN RADIUS	RCBC	REINFORCED CONCRETE BOX CULVERT
EL	ELEVATION	ROP	REINFORCED CONCRETE PIPE
EP	EDGE OF PAVEMENT	ROW	RIGHT OF WAY
EVC	END VERTICAL CURVE	SC	SANITARY CAP
EVP	END VERTICAL PROFILE	SD	STORM DRAIN
FG	FINISHED GROUND	SL	SECTION LINE
FH	FIRE HYDRANT	SS	SANITARY SEWER
FL	FLOW LINE	STA	STATION
GV	GATE VALVE	T.O.P.	TOP OF PIPE
HCR	HANDICAP CURB RAMP	UE	UTILITY EASEMENT
HP	HIGH POINT	VC	VERTICAL CURVE
INV	INVERT	WL	WATER LINE
K	CURVATURE COEFFICIENT	WLC	WATER LINE CONNECTION
LF	LINEAR FEET	WSE	WATER SURFACE ELEVATION

AS-BUILT FILING 14
SURVEY INFORMATION
SUPPLIED BY AZTEC CONSULTANTS ON 6-24-21 & 7-28-21

PREPARED UNDER THE SUPERVISION OF
BRIAN P. WILSON
COLORADO P.E. 0050067



BENCHMARK
DOUGLAS COUNTY CONTROL POINT KNOWN AS 1.060032, BEING A 3-1/4" ALUMINUM CAP, BEING LOCATED IN THE SOUTHWEST QUARTER OF SECTION 33, TOWNSHIP 6 SOUTH, RANGE 66 WEST OF THE SIXTH PRINCIPAL MERIDIAN, HAVING A PUBLISHED ELEVATION OF 1799.2870 METERS (5903.13 FEET) NAVD '88 DATUM.

BASIS OF BEARINGS:
THE EAST LINE OF THE NORTHEAST QUARTER OF SAID SECTION 9 BEING MONUMENTED AT THE NORTHEAST CORNER OF SAID SECTION 9 BY A 3-1/4" ALUMINUM CAP STAMPED LS 23053 AND AT THE EAST QUARTER CORNER OF SAID SECTION 9 BY A 2-1/2" ALUMINUM CAP STAMPED LS 6935 BEING CONSIDERED TO BEAR SOUTH 00°15'06" EAST, 2648.70 FEET.

THE TOWN OF PARKER REVIEW CONSTITUTES GENERAL COMPLIANCE WITH THE TOWN'S STANDARDS AND APPROVED VARIANCES, SUBJECT TO THESE PLANS BEING STAMPED, SIGN, AND DATED BY THE PROFESSIONAL ENGINEER OF RECORD. REVIEW BY THE TOWN DOES NOT CONSTITUTE APPROVAL OF THE PLAN DESIGN OR ACCURACY AND CORRECTNESS OF ENGINEERING CALCULATIONS. ERRORS IN THE DESIGN OR CALCULATIONS REMAIN THE RESPONSIBILITY OF THE REGISTERED PROFESSIONAL ENGINEER WHOSE STAMP AND SIGNATURE ARE AFFIXED TO THIS DOCUMENT.

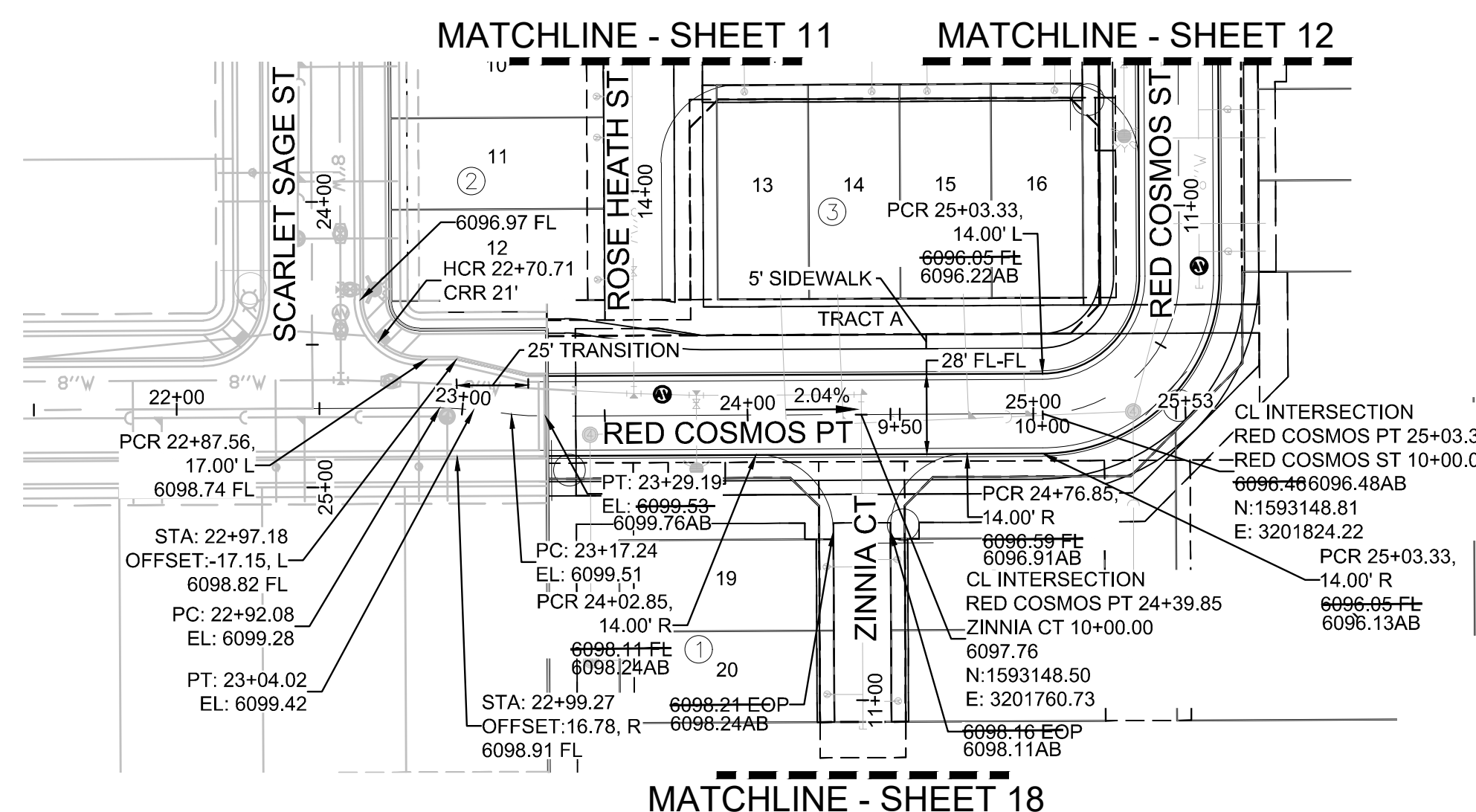
THIS REVIEW DOES NOT CONSTITUTE APPROVAL OF ANY PRIVATE ON-SITE IMPROVEMENTS WHICH MAY BE SHOWN. CONSTRUCTION CANNOT COMMENCE UNTIL ALL REQUIRED DRAINAGE/TRAFFIC REPORT(S), FINAL DEVELOPMENT PLAN(S), SPECIAL REVIEW(S), GRADING PERMIT, AND/OR OTHER PERMITS ARE COMPLETE, APPROVED AND ON FILE WITH THE TOWN OF PARKER.

TOWN OF PARKER, DIRECTOR OF ENGINEERING _____ DATE _____

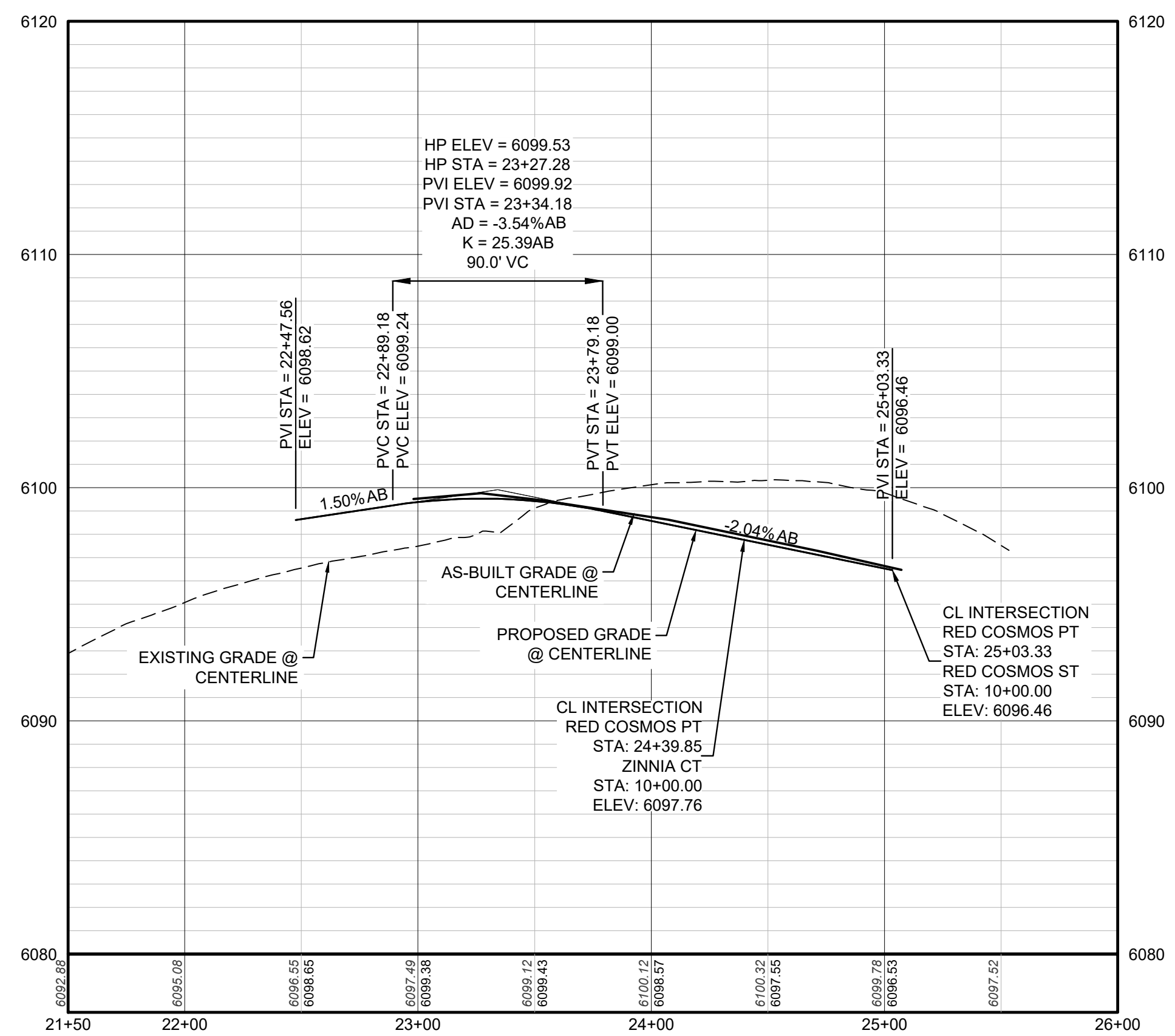
NO.	Revisions	Date	Init.	Appr.	Date
10333 E. Dry Creek Rd., Suite 240, Englewood, CO 80112 Tel: (720) 482-9526 Fax: (720) 482-9546					
HR 935 LLC 7953 South Alton Way CENTENNIAL, CO 80112					
TRAILS AT CROWFOOT FILING 14 CONSTRUCTION DRAWINGS STREET AND STORM PLAN & PROFILE ROSE HEATH ROAD					
SCALE: AS SHOWN	FILE NO: 8130283701	DATE: SEPTEMBER 2018			
DRAWN BY: RRR	CHECKED BY: BPW	DATE: SEPTEMBER 2018			
SHEET NUMBER	16				

N:\PROJECTS\SSR\SSR\ENGINEERING\SSR\SET\MULTIFAMILY\CDS\F14\TOWN OF PARKER\STREET PLAN AND PROFILE\ROSE HEATH RD.DWG. STRFRANCEUR, 7/6/2021 3:28 PM

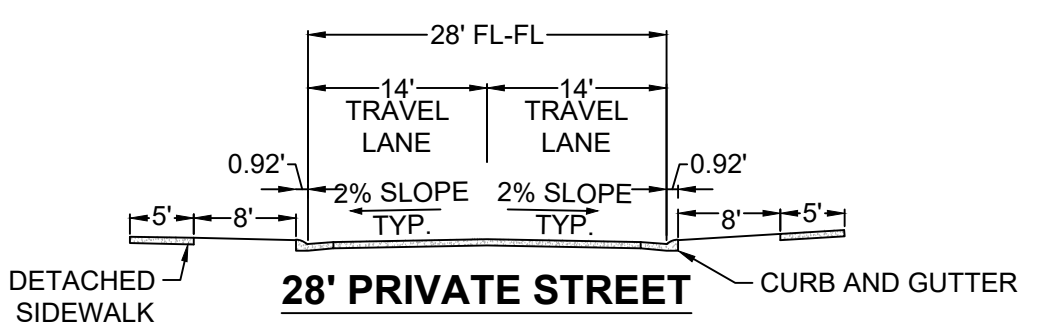
CALL 811
TWO WORKING DAYS
BEFORE YOU DIG
UNCC
1-800-922-1987



PLAN: RED COSMOS POINT STA: 21+50.00 TO 26+00.00
HORIZONTAL SCALE: 1" = 50'

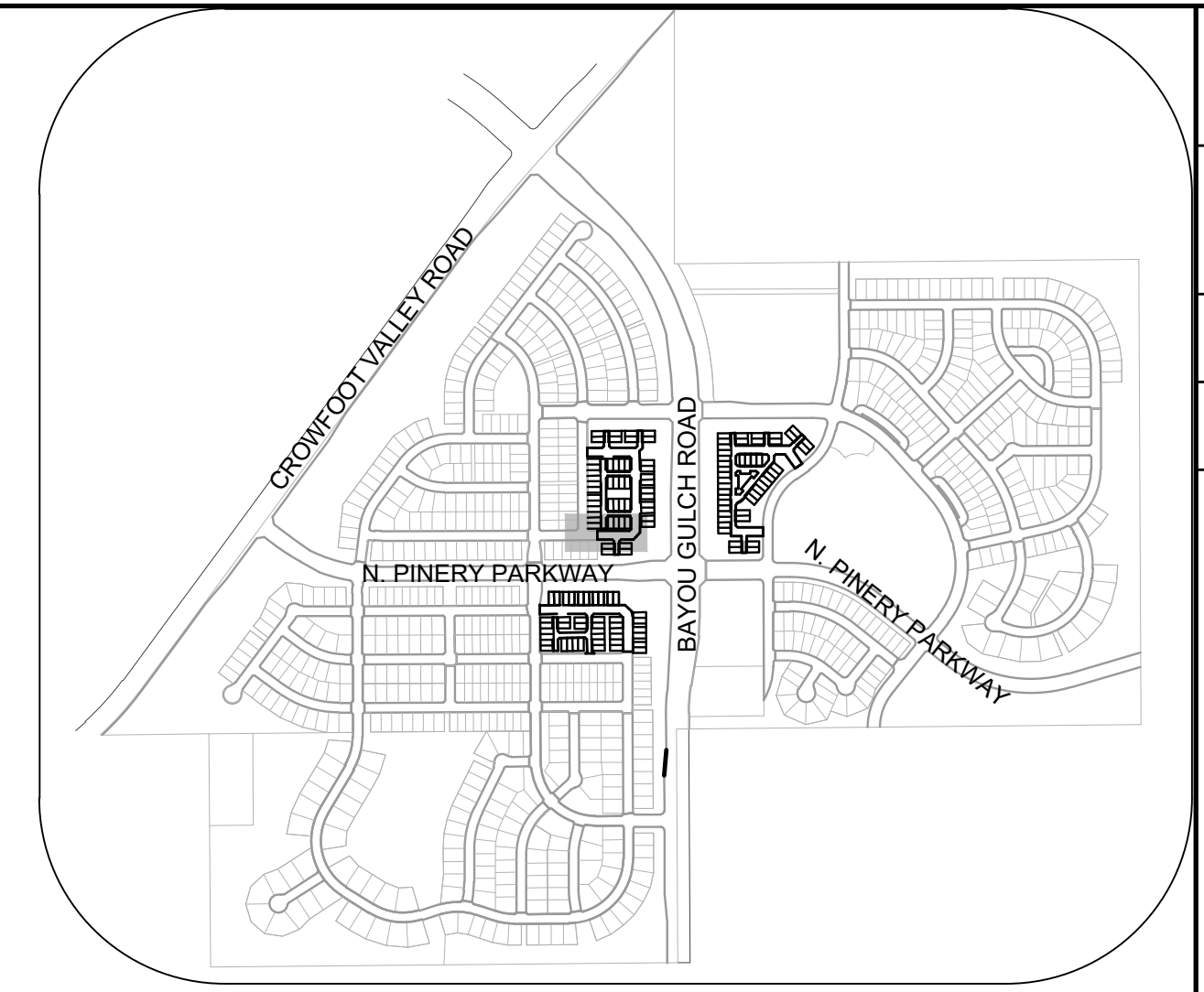


PROFILE: RED COSMOS PT STA: 21+50.00 TO 26+00.00
HORIZONTAL: 1" = 50'
VERTICAL: 1" = 5'



BENCHMARK
DOUGLAS COUNTY CONTROL POINT KNOWN AS 1.060032, BEING A 3-1/4" ALUMINUM CAP, BEING LOCATED IN THE SOUTHWEST QUARTER OF SECTION 33, TOWNSHIP 6 SOUTH, RANGE 68 WEST OF THE SIXTH PRINCIPAL MERIDIAN, HAVING A PUBLISHED ELEVATION OF 1799.2870 METERS (5903.13 FEET) NAVD '88 DATUM.

BASIS OF BEARINGS:
THE EAST LINE OF THE NORTHEAST QUARTER OF SAID SECTION 9 BEING MONUMENTED AT THE NORTHEAST CORNER OF SAID SECTION 9 BY A 3-1/4" ALUMINUM CAP STAMPED LS 23053 AND AT THE EAST QUARTER CORNER OF SAID SECTION 9 BY A 2-1/2" ALUMINUM CAP STAMPED LS 6935 BEING CONSIDERED TO BEAR SOUTH 00°15'06" EAST, 2648.70 FEET.



KEYMAP
N.T.S.

LEGEND

⊙	BLOCK NUMBER	△	PROPOSED RANGE POINT
Ⓐ	LOT TYPE	---	CENTERLINE
6	LOT NUMBER	---	RIGHT-OF-WAY
⊕	PROPOSED BUTTERFLY VALVE	---	PROPERTY LINE
⊞	PROPOSED CAP WITH END OF LINE BLOWOFF	---	EDGE OF PAVEMENT
⊟	PROPOSED REDUCER	→	PROPOSED DIRECTION OF FLOW
⊠	PROPOSED VALVE	1.0%	PROPOSED SLOPE & DIRECTION
⊡	PROPOSED FIRE HYDRANT	---	EXISTING 5' CONTOUR
⊢	PROPOSED WL FITTING WITH THRUST BLOCK	---	EXISTING 1' CONTOUR
⊣	PROPOSED FLARED END SECTION	---	PROPOSED 5' CONTOUR
⊤	PROPOSED LOW POINT BLOW-OFF	---	PROPOSED 1' CONTOUR
⊥	PROPOSED AIR VALVE	---	PROPOSED STORM DRAIN
⊦	FUTURE PHASE VALVE	---	PROPOSED SEWER LINE WITH MANHOLE
⊧	FUTURE FIRE HYDRANT	---	PROPOSED SEWER LATERAL
⊨	PROPOSED LIGHT POLE	---	PROPOSED WATER LINE
⊩	PROPOSED SIDEWALK	---	PROPOSED WATER LATERAL W/ METER
⊪	PROPOSED SIDEWALK RAMP	---	SECTION LINE
10.00	EXISTING ELEVATION	---	FILING BOUNDARY
10.00	PROPOSED DESIGN ELEVATION	---	EXISTING FIBER OPTIC LINE
⊫	PROPOSED STORM DRAIN INLET	---	EXISTING OVERHEAD POWER
⊬	PROPOSED STORM DRAIN MANHOLE	---	EXISTING TELEPHONE LINE
		---	PWSD EASEMENT
		---	TYP. EASEMENT

ABBREVIATIONS

AD	ANGLE DIFFERENCE	MH	MANHOLE
AV	AIR VAC RELEASE VALVE	N.T.S.	NOT TO SCALE
BVC	BEGIN VERTICAL CURVE	PVC	POLYVINYL CHLORIDE
BVP	BEGIN VERTICAL PROFILE	PVI	PT. OF VERTICAL INTERSECTION
CBD	CAP WITH BLOW OFF	PVT	POINT OF VERTICAL TANGENT
CRR	CURB RETURN RADIUS	RCBC	REINFORCED CONCRETE BOX CULVERT
EL	ELEVATION	ROP	REINFORCED CONCRETE PIPE
EP	EDGE OF PAVEMENT	ROW	RIGHT OF WAY
EVC	END VERTICAL CURVE	SC	SANITARY CAP
EVP	END VERTICAL PROFILE	SD	STORM DRAIN
FG	FINISHED GROUND	SL	SECTION LINE
FH	FIRE HYDRANT	SS	SANITARY SEWER
FL	FLOW LINE	STA	STATION
GV	GATE VALVE	T.O.P.	TOP OF PIPE
HCR	HANDICAP CURB RAMP	UE	UTILITY EASEMENT
HP	HIGH POINT	VC	VERTICAL CURVE
INV	INVERT	WL	WATER LINE
K	CURVATURE COEFFICIENT	WLC	WATER LINE CONNECTION
LF	LINEAR FEET	WSE	WATER SURFACE ELEVATION

AS-BUILT FILING 14
SURVEY INFORMATION
SUPPLIED BY AZTEC
CONSULTANTS ON 6-24-21 & 7-28-21

PREPARED UNDER THE SUPERVISION OF

BRIAN P. WILSON
COLORADO P.E. 0050607

THE TOWN OF PARKER REVIEW CONSTITUTES GENERAL COMPLIANCE WITH THE TOWN'S STANDARDS AND APPROVED VARIANCES, SUBJECT TO THESE PLANS BEING STAMPED, SIGN, AND DATED BY THE PROFESSIONAL ENGINEER OF RECORD. REVIEW BY THE TOWN DOES NOT CONSTITUTE APPROVAL OF THE PLAN DESIGN OR ACCURACY AND CORRECTNESS OF ENGINEERING CALCULATIONS. ERRORS IN THE DESIGN OR CALCULATIONS REMAIN THE RESPONSIBILITY OF THE REGISTERED PROFESSIONAL ENGINEER WHOSE STAMP AND SIGNATURE ARE AFFIXED TO THIS DOCUMENT.

THIS REVIEW DOES NOT CONSTITUTE APPROVAL OF ANY PRIVATE ON-SITE IMPROVEMENTS WHICH MAY BE SHOWN. CONSTRUCTION CANNOT COMMENCE UNTIL ALL REQUIRED DRAINAGE/TRAFFIC REPORT(S), FINAL DEVELOPMENT PLAN(S), SPECIAL REVIEW(S), GRADING PERMIT, AND/OR OTHER PERMITS ARE COMPLETE, APPROVED AND ON FILE WITH THE TOWN OF PARKER.

TOWN OF PARKER, DIRECTOR OF ENGINEERING DATE

CALL 811
TWO WORKING DAYS
BEFORE YOU DIG
UNCC
1-800-922-1987

10333 E. Dry Creek Rd. Suite 240 Englewood, CO 80112 Tel: (720) 482-9526 Fax: (720) 482-9546	10333 E. Dry Creek Rd. Suite 240 Englewood, CO 80112 Tel: (720) 482-9526 Fax: (720) 482-9546
CVL CONSULTANTS	CVL CONSULTANTS
HR 935 LLC 7953 South Alton Way CENTENNIAL, CO 80112	HR 935 LLC 7953 South Alton Way CENTENNIAL, CO 80112
TRAILS AT CROWFOOT FILING 14 CONSTRUCTION DRAWINGS STREET AND STORM PLAN & PROFILE RED COSMOS POINT	TRAILS AT CROWFOOT FILING 14 CONSTRUCTION DRAWINGS STREET AND STORM PLAN & PROFILE RED COSMOS POINT
SCALE: AS SHOWN DRAWN BY: RRR CHECKED BY: BPW DATE: SEPTEMBER 2018	SCALE: AS SHOWN DRAWN BY: RRR CHECKED BY: BPW DATE: SEPTEMBER 2018
SHEET NUMBER 17	SHEET NUMBER 17

