

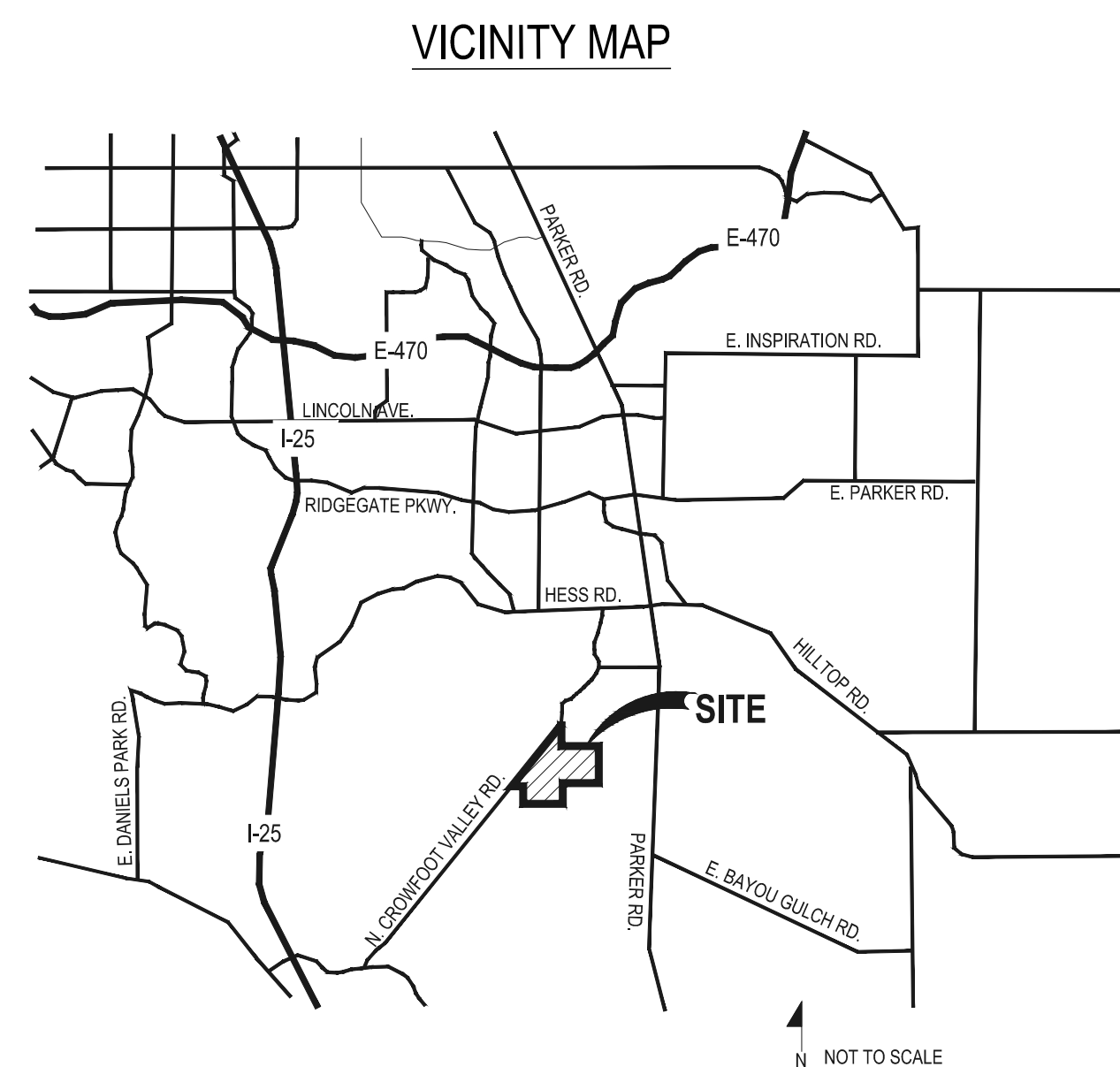
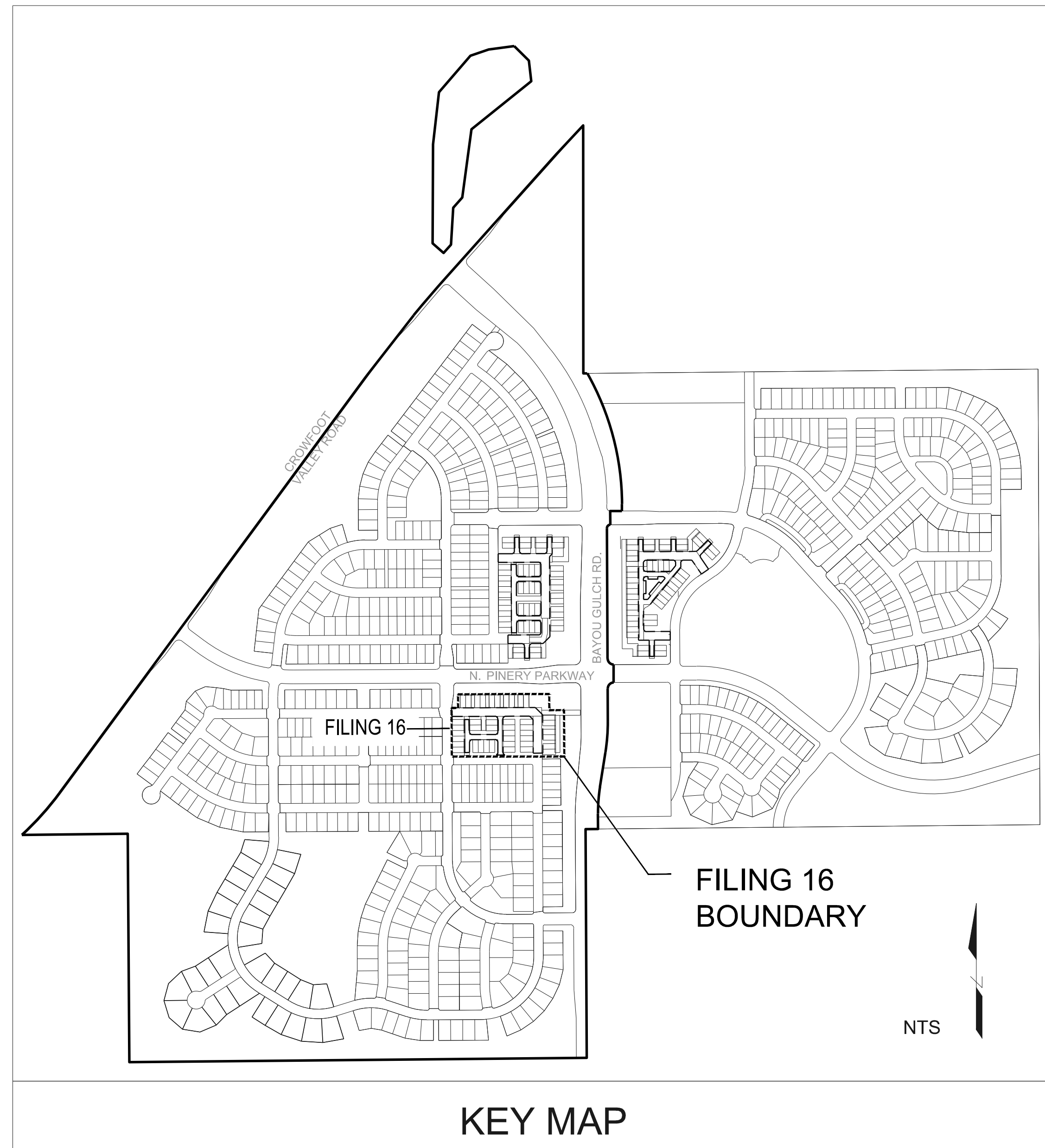
TRAILS AT CROWFOOT AMENDMENT NO.1

LANDSCAPE PLANS

FILING 16, MIXED USE

GENERAL NOTES

- DRAWINGS ARE INTENDED TO BE PRINTED ON 24 X 36 PAPER. PRINTING THESE DRAWINGS AT A DIFFERENT SIZE WILL IMPACT THE SCALE. VERIFY THE GRAPHIC SCALE BEFORE REFERENCING ANY MEASUREMENTS ON THESE SHEETS. THE RECIPIENT OF THESE DRAWINGS SHALL BE RESPONSIBLE FOR ANY ERRORS RESULTING FROM INCORRECT PRINTING, COPYING, OR ANY OTHER CHANGES THAT ALTER THE SCALE OF THE DRAWINGS.
- VERIFY ALL PLAN DIMENSIONS PRIOR TO START OF CONSTRUCTION. NOTIFY THE OWNER'S REPRESENTATIVE TO ADDRESS ANY QUESTIONS OR CLARIFY ANY DISCREPANCIES.
- WRITTEN DIMENSIONS TAKE PRECEDENCE OVER SCALED DIMENSIONS.
- SUBMIT A CHANGE ORDER FOR APPROVAL FOR ANY CHANGES TO WORK SCOPE RESULTING FROM FIELD CONDITIONS OR DIRECTION BY OWNER'S REPRESENTATIVE WHICH REQUIRE ADDITIONAL COST TO THE OWNER PRIOR TO PERFORMANCE OF WORK.
- THE CONTRACTOR SHALL PROVIDE A STAKED LAYOUT OF ALL SITE IMPROVEMENTS FOR INSPECTION BY THE OWNER'S REPRESENTATIVE AND MAKE MODIFICATIONS AS REQUIRED. ALL LAYOUT INFORMATION IS AVAILABLE IN DIGITAL FORMAT FOR USE BY THE CONTRACTOR.
- IF A GEOTECHNICAL SOILS REPORT IS NOT AVAILABLE AT THE TIME OF CONSTRUCTION, PCS GROUP, INC. RECOMMENDS A REPORT BE AUTHORIZED BY THE OWNER AND THAT ALL RECOMMENDATIONS OF THE REPORT ARE FOLLOWED DURING CONSTRUCTION.
- THE CONTRACTOR SHALL USE THESE CONTRACT DOCUMENTS AS A BASIS FOR THE BID. IF THE OWNER ELECTS TO PROVIDE A GEOTECHNICAL REPORT, THE CONTRACTOR SHALL REVIEW THE REPORT AND SUBMIT AN APPROPRIATE CHANGE ORDER TO THE OWNER'S REPRESENTATIVE IF ADDITIONAL COSTS ARE REQUESTED.
- CONTRACTOR SHALL CONFIRM THAT SITE CONDITIONS ARE SIMILAR TO THE PLANS WITHIN TOLERANCES STATED IN THE CONTRACT DOCUMENTS, AND SATISFACTORY TO THE CONTRACTOR PRIOR TO START OF WORK. SHOULD SITE CONDITIONS BE DIFFERENT THAN REPRESENTED ON THE PLANS OR UNSATISFACTORY TO THE CONTRACTOR, THE CONTRACTOR SHALL CONTACT THE OWNER'S REPRESENTATIVE FOR CLARIFICATION AND FURTHER DIRECTION.
- CONTRACTOR IS RESPONSIBLE TO PAY FOR, AND OBTAIN, ANY REQUIRED APPLICATIONS, PERMITTING, LICENSES, INSPECTIONS AND METERS ASSOCIATED WITH WORK.
- THE CONTRACTOR SHALL BE RESPONSIBLE FOR ANY FINES OR PENALTIES ASSESSED TO THE OWNER RELATING TO ANY VIOLATIONS OR NON-CONFORMANCE WITH THE PLANS, SPECIFICATIONS, CONTRACT DOCUMENTS, JURISDICTIONAL CODES AND REGULATORY AGENCIES.
- THE CONTRACTOR SHALL BE RESPONSIBLE FOR COORDINATION OF ALL UTILITY LOCATES PRIOR TO ANY EXCAVATION. NOTIFY OWNER'S REPRESENTATIVE IF EXISTING OR PROPOSED UTILITIES INTERFERE WITH THE ABILITY TO PERFORM WORK.
- UNLESS IDENTIFIED ON THE PLANS FOR DEMOLITION OR REMOVAL, THE CONTRACTOR IS RESPONSIBLE FOR THE COST TO REPAIR UTILITIES, ADJACENT OR EXISTING LANDSCAPE, ADJACENT OR EXISTING PAVING, OR ANY PUBLIC AND PRIVATE PROPERTY THAT IS DAMAGED BY THE CONTRACTOR OR THEIR SUBCONTRACTOR'S OPERATIONS DURING INSTALLATION, ESTABLISHMENT OR DURING THE SPECIFIED MAINTENANCE PERIOD. ALL DAMAGES SHALL BE REPAIRED TO PRE-CONSTRUCTION CONDITIONS AS DETERMINED BY THE OWNER'S REPRESENTATIVE. CONTRACTOR SHALL BE RESPONSIBLE FOR LOGGING ANY DAMAGES PRIOR TO START OF CONSTRUCTION AND DURING THE CONTRACT PERIOD.
- ANY AREAS OR IMPROVEMENTS DISTURBED OUTSIDE WORK AREA LIMITS SHALL BE RETURNED TO THEIR ORIGINAL CONDITION AT THE CONTRACTOR'S EXPENSE. IN THE EVENT THE CONTRACTOR REQUIRES A MODIFICATION TO THE CONSTRUCTION LIMITS, WRITTEN PERMISSION MUST BE OBTAINED FROM THE OWNER'S REPRESENTATIVE PRIOR TO ANY DISTURBANCE OUTSIDE OF THE LIMITS OF WORK.
- THE CONTRACTOR SHALL BE RESPONSIBLE FOR THE REPAIR OF ANY OF THEIR TRENCHES OR EXCAVATIONS THAT SETTLE.
- THE CONTRACTOR SHALL BE RESPONSIBLE TO PREPARE AND SUBMIT A TRAFFIC CONTROL PLAN TO THE APPROPRIATE JURISDICTIONAL AGENCIES AND THE OWNER'S REPRESENTATIVE IF THEIR WORK AND OPERATIONS AFFECT OR IMPACT THE PUBLIC RIGHTS-OF-WAY. OBTAIN APPROVAL PRIOR TO ANY WORK WHICH AFFECTS OR IMPACTS THE PUBLIC RIGHTS-OF-WAY. THE CONTRACTOR SHALL BE RESPONSIBLE FOR ANY FINES OR PENALTIES ASSESSED TO THE OWNER RELATING TO THIS REQUIREMENT DURING THE CONTRACT PERIOD.
- SIGHT TRIANGLES AND SIGHT LINES SHALL REMAIN UNOBSTRUCTED BY EQUIPMENT, CONSTRUCTION MATERIALS, PLANT MATERIAL OR ANY OTHER VISUAL OBSTACLE DURING THE CONTRACT PERIOD AND AT MATURITY OF PLANTS PER LOCAL JURISDICTIONAL REQUIREMENTS. NO PLANT MATERIAL OTHER THAN GROUND COVER IS ALLOWED TO BE PLANTED ADJACENT TO FIRE HYDRANTS AS STIPULATED BY JURISDICTIONAL REQUIREMENTS.
- COORDINATE SITE ACCESS, STAGING, STORAGE AND CLEAN OUT AREAS WITH OWNER'S REPRESENTATIVE.
- CONTRACTOR IS RESPONSIBLE FOR PROVIDING TEMPORARY SAFETY FENCING AND BARRIERS AROUND ALL IMPROVEMENTS SUCH AS WALLS, PLAY STRUCTURES, EXCAVATIONS, ETC. ASSOCIATED WITH THEIR WORK UNTIL SUCH FACILITIES ARE COMPLETELY INSTALLED PER THE PLANS, SPECIFICATIONS AND MANUFACTURER'S RECOMMENDATIONS.
- CONTRACTOR SHALL BE RESPONSIBLE FOR PROTECTION OF THEIR MATERIAL STOCKPILES CONCRETE IN THE STORM SEWER IS PROHIBITED.
- THE CONTRACTOR SHALL KNOW, UNDERSTAND AND ABIDE BY ANY STORM WATER POLLUTION PREVENTION PLAN (SWPPP) ASSOCIATED WITH THE SITE. IF A STORM WATER POLLUTION PREVENTION PLAN IS NOT PROVIDED BY THE OWNER'S REPRESENTATIVE, REQUEST A COPY BEFORE PERFORMANCE OF ANY SITE WORK.
- CONTRACTOR SHALL MAINTAIN ANY STORM WATER MANAGEMENT FACILITIES THAT EXIST ON SITE FOR FULL FUNCTIONALITY. THE CONTRACTOR SHALL INSTALL AND MAINTAIN ANY NEW STORM WATER MANAGEMENT FACILITIES THAT ARE IDENTIFIED IN THE SCOPE OF WORK TO FULL FUNCTIONALITY. THE CONTRACTOR SHALL BE RESPONSIBLE FOR ANY FINES OR PENALTIES ASSESSED TO THE OWNER FOR FAILURE TO MAINTAIN STORM WATER MANAGEMENT FACILITIES DURING THE CONTRACT PERIOD.
- THE CONTRACTOR SHALL PREVENT SEDIMENT, DEBRIS AND ALL OTHER POLLUTANTS FROM EXITING THE SITE OR ENTERING THE STORM SEWER SYSTEM DURING ALL DEMOLITION OR CONSTRUCTION OPERATIONS THAT ARE PART OF THIS PROJECT. THE CONTRACTOR SHALL BE RESPONSIBLE FOR ANY FINES OR PENALTIES ASSESSED TO THE OWNER RELATING TO THESE REQUIREMENTS DURING THEIR CONTRACTED COURSE OF WORK.
- THE CONTRACTOR SHALL BE RESPONSIBLE TO PREVENT ANY IMPACTS TO ADJACENT WATERWAYS, WETLANDS, OR OTHER ENVIRONMENTALLY SENSITIVE AREAS RESULTING FROM WORK DONE AS PART OF THIS PROJECT. THE CONTRACTOR SHALL BE RESPONSIBLE FOR ANY FINES OR PENALTIES ASSESSED TO THE OWNER RELATING TO THESE REQUIREMENTS DURING THEIR CONTRACTED COURSE OF WORK.
- THE CONTRACTOR AND/OR THEIR AUTHORIZED AGENTS SHALL INSURE THAT ALL LOADS OF CONSTRUCTION MATERIAL IMPORTED TO OR EXPORTED FROM THE PROJECT SITE SHALL BE PROPERLY COVERED TO PREVENT LOSS OF MATERIAL DURING TRANSPORT. TRANSPORTATION METHODS ON PUBLIC RIGHT-OF-WAYS SHALL CONFORM TO JURISDICTIONAL REQUIREMENTS. THE CONTRACTOR SHALL BE RESPONSIBLE FOR ANY FINES OR PENALTIES ASSESSED TO THE OWNER RELATING TO THESE REQUIREMENTS.
- THE CLEANING OF EQUIPMENT IS PROHIBITED AT THE JOB SITE UNLESS AUTHORIZED BY THE OWNER'S REPRESENTATIVE IN A DESIGNATED AREA. THE DISCHARGE OF WATER, WASTE CONCRETE, POLLUTANTS, OR OTHER MATERIALS SHALL ONLY OCCUR IN AREAS DESIGNED FOR SUCH USE AND APPROVED BY THE OWNER'S REPRESENTATIVE.



KEY MAP

SYMBOLS & ABBREVIATIONS

AC. = ACRE	EXP. = EXPANSION	O.C. = ON CENTER
APPROXIMATE = APPROX.	E.W. = EACH WAY	O.D. = OUTSIDE DIAMETER
B&B = BALL AND BURLAP	F.F. = FINISH FLOOR	P.O.B. = POINT OF BEGINNING
BOC = BACK OF CURB	F.G. = FINISH GRADE	P.O.C. = POINT OF CONNECTION
B.M. = BENCH MARK	FIN. = FINISH	P.V.C. = POLYVINYL CHLORIDE
BLDG. = BUILDING	F.H. = FIRE HYDRANT	PIPE
B.S. = BOTTOM OF STAIR	FL = FLOW LINE	PL = PROPERTY LINE
B.W. = BOTTOM OF WALL	FTG. = FOOTING	R = RADIUS
CAL. = CALIPER	FT. = FEET	R.C.P. = REINFORCED CONCRETE PIPE
C.B. = CATCH BASIN	GA. = GAUGE	CONCRETE PIPE
CL CATCH BASIN CENTER LINE	GALV. = GALVANIZED	R.O.W. = RIGHT OF WAY
C.O. = CLEANOUT	H.W. = HEAD WALL	REQD. = REQUIRED
COL. = COLUMN	H.P. = HIGH POINT	REINF. = REINFORCED
CONC. = CONCRETE	HT. = HEIGHT	SHT. = SHEET
CONT. = CONTINUOUS	HORIZ. = HORIZON	SPEC. = SPECIFICATIONS
CONTR. = CONTRACTOR	I.D. = INNER DIAMETER	SO. = SQUARE
C.F. = CUBIC FEET	IN. = INCH	S.F. = SQUARE FEET
C.Y. = CUBIC YARD	IN.V. = INVERT	S.V. = SQUARE YARD
DET. = DETAIL	L.P. = LOW POINT	S.S. = STAINLESS STEEL
DIM. = DIMENSION	L.F. = LINEAR FEET	T.C. = TOP OF CURB
DIA. = DIAMETER	MAX. = MAXIMUM	T.S. = TOP OF STAIR
DWG. = DRAWING	M.H. = MAN HOLE	T.W. = TOP OF WALL
EA. = EACH	MIN. = MINIMUM	TYP. = TYPICAL
ELEV. = ELEVATION	MISC. = MISCELLANEOUS	VERT. = VERTICAL
EXIST. = EXISTING	N.I.C. = NOT IN CONTRACT	W/O = WITH OUT
E.P. = EDGE OF PAVING	N.T.S. = NOT TO SCALE	W.W.M. = WOVEN WIRE MESH

NOTE IDENTIFICATION	
	DEMOLITION NOTE
	CONSTRUCTION NOTE
ELEVATION IDENTIFICATION	
	SPOT ELEVATION
	ELEVATION
DETAIL IDENTIFICATION	
	DETAIL NUMBER
	DETAIL NAME
	SHEET NUMBER

	DETAIL NUMBER
	SHEET NUMBER
	SECTION DESIGNATION

SHEET INDEX	
Sheet Number	Sheet Title
L0.0	LANDSCAPE COVER SHEET
L0.1	LANDSCAPE NOTES & PLANT SCHEDULE
L1.0	LANDSCAPE PLAN
L1.1	LAYOUT, GRADING & MATERIAL ENLARGEMENT
L2.0	LANDSCAPE DETAILS
L2.1	LANDSCAPE DETAILS
IR1.0	IRRIGATION LEGEND AND NOTES
IR1.1	IRRIGATION PLAN
IR2.1	IRRIGATION DETAILS

<p>OWNER / DEVELOPER</p> <p>ESX MANAGEMENT 7353 SOUTH ALTON WAY CENTENNIAL, CO 80112</p>	<p>PLANNER / LANDSCAPE ARCHITECT</p> <p>people creating spaces</p> <p>pcs group inc. www.pcsgruopco.com #3, B-180 Independence plaza 1007 14th street, denver co 80265 1.303.531.4905, f.303.531.4908</p>	<p>CIVIL ENGINEER</p> <p>CVL CONSULTANTS</p> <p>10333 E. DRY CREEK RD. #240 ENGLEWOOD, CO 80112 720-482-9526</p>
---	--	--

Prepared For

ESX MANAGEMENT
7353 SOUTH ALTON WAY
CENTENNIAL, CO 80112

Land Planning

people creating spaces

pcs group inc. www.pcsgruopco.com
#3, B-180 Independence plaza
1007 14th street, denver co 80265
1.303.531.4905, f.303.531.4908

Engineering

CVL CONSULTANTS

10333 E. DRY CREEK RD. #240
ENGLEWOOD, CO 80112
720-482-9526

TRAILS AT CROWFOOT
 FILING 16 LANDSCAPE PLANS
 PARKER, COLORADO

Drawn by: BEM_GG_JWD

Checked by: PCS STAFF

Submitted: 06.20.2018

Date: 09.26.2018

Know what's below. Call before you dig.

Sheet Name

LANDSCAPE COVER SHEET

Sheet Number

L0.0

Y:\HESR_RANCH\LANDSCAPE_ARCHITECTURE\CURRENT DWGS\HESR-LDSCP PLANS - FILING-16_C05.DWG
 Saturday, June 23, 2018

LANDSCAPE NOTES

SITE PREP

- LANDSCAPE CONTRACTOR TO REFERENCE CIVIL ENGINEERING DRAWINGS REGARDING DRAINAGE AND EROSION CONTROL NOTES, DETAILS AND PROCEDURES.
- ALL WORK SHALL CONFORM TO LOCAL MUNICIPAL CODES. ALL WORK SHALL BE IN ACCORDANCE WITH OSHA CODES AND STANDARDS. NOTHING INDICATED ON THE LANDSCAPE DRAWINGS SHALL RELIEVE THE CONTRACTOR FROM COMPLYING WITH ANY APPROPRIATE SAFETY REGULATIONS.
- ALL UTILITY EASEMENTS SHALL REMAIN UNOBSTRUCTED AND FULLY ACCESSIBLE ALONG THEIR ENTIRE LENGTH FOR USE OF MAINTENANCE EQUIPMENT ENTRY.
- SEE CIVIL ENGINEER'S DRAWINGS FOR GRADING AND DRAINAGE, EROSION CONTROL, PAVING AND SLEEVES, UTILITIES, AND OTHER ENGINEERED DETAILS.
- CONTRACTOR SHALL ENSURE POSITIVE DRAINAGE AWAY FROM ALL STRUCTURES.
- A PRE-CONSTRUCTION MEETING MAY BE REQUIRED BETWEEN THE LANDSCAPE CONTRACTOR, PROPERTY OWNER AND LANDSCAPE ARCHITECT BEFORE START OF CONSTRUCTION.
- CONTRACTOR SHALL MINIMIZE ALL DISTURBANCE TO NON-IMPACTED AREAS.
- SITE MUST BE CLEAN AND FREE OF ALL CONSTRUCTION DEBRIS BEFORE FINAL ACCEPTANCE.
- CONTRACTOR IS RESPONSIBLE FOR SETUP OF BARRICADES, WARNING SIGNAGE, OR OTHER PROTECTIVE DEVICES IF ANY EXCAVATIONS ARE LEFT EXPOSED AFTER ON-SITE WORK HOURS.
- IT IS THE CONTRACTOR'S RESPONSIBILITY TO ACQUIRE ALL NECESSARY PERMITS FOR CONSTRUCTION WORK WITHIN THE LOCAL JURISDICTION. A SEPARATE LANDSCAPE CONSTRUCTION PERMIT IS REQUIRED AND USE AND SALES TAX WILL BE COLLECTED. WATER CONNECTION FEES ARE TO BE PAID PRIOR TO THE METER SETTING. A BACK FLOW PERMIT AND INSPECTION IS REQUIRED PRIOR TO THE METER BEING INSTALLED IN THE VAULT.
- TOPSOIL IS TO BE STRIPPED & STOCKPILED ON-SITE FOR LATER USE.
- CONTRACTOR IS RESPONSIBLE FOR REPLACEMENT OF ANY EXISTING OR NEW SITE IMPROVEMENTS DISTURBED OR DAMAGED DUE TO THEIR OPERATIONS. DAMAGED MATERIALS SHALL BE REPLACED/REPAIRED TO ITS PRIOR CONDITION.
- LOCATE ALL UTILITIES PRIOR TO ANY DIGGING OR LANDSCAPE PLANTING. CONTRACTOR SHALL HAND DIG ALL PLANTING PITS ADJACENT TO UTILITIES. IF UTILITIES ARE DAMAGED, REPAIRS SHALL BE MADE AT THE CONTRACTOR'S EXPENSE.
- PRIOR TO INSTALLATION OF PLANT MATERIALS, AREAS THAT HAVE BEEN COMPACTED OR DISTURBED BY CONSTRUCTION ACTIVITY SHALL BE THOROUGHLY LOOSENEED & AMENDED.
- ALL LANDSCAPE AREAS SHALL RECEIVE SOIL AMENDMENT ROTOTILLED AT A MIN. 8" DEPTH AT A RATE OF 4 CUBIC YARDS PER 1,000 SF.
- CONTRACTOR SHALL SUBMIT SOIL AMENDMENT SPECIFICATIONS FOR APPROVAL PRIOR TO INSTALLATION.
- THE LANDSCAPE CONTRACTOR SHALL BE RESPONSIBLE FOR ENSURING POSITIVE DRAINAGE EXISTS IN ALL LANDSCAPE AREAS. SURFACE DRAINAGE ON LANDSCAPE AREAS SHALL NOT FLOW TOWARD STRUCTURES AND FOUNDATIONS. MAINTAIN SLOPE AWAY FROM FOUNDATIONS PER THE GEOTECH REPORT RECOMMENDATIONS. ALL LANDSCAPE AREAS BETWEEN WALKS AND CURBS SHALL DRAIN FREELY TO THE CURB UNLESS OTHERWISE IDENTIFIED ON THE GRADING PLAN. IN NO CASE SHALL THE GRADE, TURF PATCH, OR OTHER LANDSCAPE MATERIALS DAM WATER AGAINST WALKS. MINIMUM SLOPES ON LANDSCAPE AREAS SHALL BE 2%, MAXIMUM SLOPE SHALL BE 25% UNLESS SPECIFICALLY IDENTIFIED ON THE PLANS OR APPROVED BY LANDSCAPE ARCHITECT.

TURF, PLANT & GROUND COVER MATERIAL

- ANY SUBSTITUTION OR ALTERATION OF PLANT OR LANDSCAPE MATERIALS IN LOCATION, SPECIES, TYPE, ETC. SHALL BE ALLOWED ONLY WITH APPROVAL OF THE LANDSCAPE ARCHITECT. OVERALL PLANT QUANTITY AND QUALITY TO BE CONSISTENT WITH APPROVED PLANS. ANY CHANGES TO THE APPROVED LANDSCAPE PLAN WILL REQUIRE TOWN APPROVAL.
- ALL PLANT MATERIALS SHALL BE IN ACCORDANCE WITH AAS SPECIFICATIONS FOR NUMBER ONE GRADE.
- PROPOSED TREE LOCATIONS SHALL HAVE A MINIMUM SEPARATION OF 4' BETWEEN WATER OR SEWER SERVICE LINES AND A MINIMUM SEPARATION OF 10' BETWEEN WATER OR SEWER MAIN LINES. PROPOSED TREE LOCATIONS SHALL HAVE A MINIMUM SEPARATION OF 4' BETWEEN GAS LINES.
- ALL PROPOSED IRRIGATED TURF AREAS SHALL BE SODDED WITH THE BLEND SPECIFIED IN THESE PLANS. SOD SHALL BE LAID ON A FIRM BED WITH TIGHT JOINTS AND WITHOUT VOIDS.
- TREE WRAP TO BE APPLIED IN LATE FALL AFTER INSTALLATION, AND REMOVED THE FOLLOWING SPRING. REMOVE ANY STRING OR WIRE AROUND TREE TRUNKS AT TIME OF INSTALLATION.
- CONTRACTOR SHALL REPORT ANY DISCREPANCY FOUND IN THE FIELD VERSUS THE LANDSCAPE DRAWINGS IMMEDIATELY TO THE LANDSCAPE ARCHITECT, OWNER'S REPRESENTATIVE, AND/OR THE CITY/COUNTY PRIOR TO ANY CONSTRUCTION OR DEMOLITION ACTIVITY. FAILURE TO MAKE SUCH CONFLICTS KNOWN WILL RESULT IN THE CONTRACTOR'S LIABILITY TO RELOCATE AND REPAIR.
- MAINTAIN A MINIMUM THREE FOOT CLEARANCE AROUND FIRE HYDRANTS, FIRE DEPARTMENT CONNECTIONS OR OTHER FIRE SERVICE EQUIPMENT. NO TREES OR SHRUBS WILL BE ALLOWED WITHIN THIS AREA.
- TREES SHALL NOT BE LOCATED IN DRAINAGE SWALES, AREAS OR UTILITY EASEMENTS. CONTACT LANDSCAPE ARCHITECT FOR RELOCATION OF PLANTS IN QUESTIONABLE AREAS PRIOR TO INSTALLATION.
- THE CENTER OF EVERGREEN TREES SHALL NOT BE PLACED CLOSER THAN 8' AND THE CENTER OF ORNAMENTAL TREES CLOSER THAN 6' FROM A SIDEWALK, STREET OR DRIVE LANE. EVERGREEN TREES SHALL NOT BE LOCATED ANY CLOSER THAN 15' FROM IRRIGATION ROTOR HEADS. NOTIFY LANDSCAPE ARCHITECT IF TREE LOCATIONS CONFLICT WITH THESE STANDARDS FOR FURTHER DIRECTION.
- ALL EVERGREEN TREES SHALL BE FULLY BRANCHED TO THE GROUND AND SHALL NOT EXHIBIT SIGNS OF ACCELERATED GROWTH AS DETERMINED BY LANDSCAPE ARCHITECT.
- NO PLANT MATERIAL SHALL BE PLANTED WITHIN 10' OF ANY EXISTING OR PROPOSED ELECTRICAL SWITCHGEARS, TRANSFORMERS OR OTHER ELECTRICAL UTILITY EQUIPMENT. PLANT MATERIAL MAY BE FIELD ADJUSTED TO PROVIDE THE 10' CLEAR SPACE AND ACCESSIBILITY REQUIRED BY THE UTILITY'S OWNER/OPERATOR.
- ANY TREES INSTALLED ABOVE RETAINING WALLS UTILIZING GEO-GRID MUST BE DUNG TO PROTECT GEO-GRID. IF GEO-GRID MUST BE CUT TO INSTALL TREES, APPROVAL MUST BE GIVEN BY LANDSCAPE ARCHITECT PRIOR TO DOING WORK.
- PROPOSED PLANT SPECIES MAY BE SUBJECT TO CHANGE PENDING COMMERCIAL AVAILABILITY AT TIME OF CONSTRUCTION. ALL SPECIES SUBSTITUTIONS SHALL BE APPROVED BY THE LANDSCAPE ARCHITECT PRIOR TO INSTALLATION. OVERALL PLANT QUANTITIES & SIZES SHALL REMAIN AS INDICATED ON THE PLANT SCHEDULE. CONTRACTOR SHALL VERIFY THAT ANY SUBSTITUTED PLANT SPECIES ARE ACCEPTABLE TO THE LOCAL MUNICIPALITY OR GOVERNING JURISDICTIONS.
- IF SPECIFIED PLANTS ARE NOT COMMERCIALLY AVAILABLE AT TIME OF CONSTRUCTION/INSTALLATION, CONTRACTOR SHALL COORDINATE WITH LANDSCAPE ARCHITECT FOR A SUBSTITUTION.

PLANTING BEDS

- ALL PROPOSED PLANTING BEDS SHALL CONTAIN THE SPECIFIED MULCH. ROCK MULCH BEDS SHALL INCLUDE MIRAFI WEED BARRIER FABRIC OR EQUAL SECURED WITH PINS. OVERLAP FABRIC MIN. 24" AT EDGES. NO FABRIC IS REQUIRED IN WOOD MULCH AREAS.
- ROCK MULCH AROUND VEGETATION SHALL CONTAIN 1 1/2"-2" DIA. ROUND RIVER COBBLE, TAN COLOR, 4" DEPTH.
- WOOD MULCH SHALL BE "GORILLA HAIR" OR EQUAL SHREDDED CEDAR MULCH, 4" DEPTH.
- EDGING BETWEEN TURF AND PLANTING BEDS SHALL BE 12-GAUGE, GREEN COLOR, ROLLED-TOP, STEEL EDGING OR EQUIVALENT. ANY NO EDGING IS REQUIRED AGAINST HARDSCAPE/WALK AREAS OR AT TREE RING EDGES. EDGING SHALL BE INSTALLED TO AVOID IMPEDING DRAINAGE. RE: DETAILS FOR INSTALLATION IN LOW DRAINAGE AREAS.
- FOR TREES NOT IN PLANTING BEDS, ALLOW A 6"-8" DIAMETER BED (TREE RING) WITHOUT SOD AROUND ROOT COLLAR. APPLY SPECIFIED WOOD MULCH & DEPTH AROUND COLLAR FOLLOWING SOD INSTALLATION. NO FABRIC OR STEEL EDGER IS NECESSARY WITHIN TREE RINGS IN NATIVE AREAS. TREES IN PLANTING BEDS SHALL NOT HAVE WEED BARRIER INSTALLED WITHIN 6" OF THEIR TRUNKS.

HARDSCAPE

- REFER TO SITE PLANS & DETAILS FOR SPECIALTY CONCRETE LOCATIONS WHERE APPLICABLE.

IRRIGATION

- 1) PERMANENT UNDERGROUND IRRIGATION IS REQUIRED IN ALL LANDSCAPE AREAS. 2) TURF AREAS ARE ZONED SEPARATELY FROM BED AREAS. 3) CONTROLLER TO INCLUDE RAIN SHUT-OFF. 4) HYDROZONES WILL BE ON SEPARATE IRRIGATION ZONES ACCORDING TO WATER-DEMAND.
- REFER TO IRRIGATION PLANS FOR LIMITS AND TYPES OF IRRIGATION DESIGNED FOR THE LANDSCAPE. IN NO CASE SHALL IRRIGATION BE EMITTED WITHIN THE MINIMUM STANDARDS FROM BUILDING OR WALL FOUNDATIONS AS STIPULATED IN THE GEOTECHNICAL REPORT. ALL IRRIGATIONS DISTRIBUTION LINES, HEADS AND EMITTERS SHALL BE KEPT OUTSIDE THE MINIMUM DISTANCE AWAY FROM ALL BUILDING AND WALL FOUNDATIONS AS STIPULATED IN THE GEOTECH REPORT.
- TURF & IRRIGATED NATIVE AREAS (WHERE APPLICABLE) SHALL BE IRRIGATED BY AUTOMATIC POP-UP SPRAY SYSTEM. SHRUBS & PLANTING BEDS SHALL BE IRRIGATED WITH DRIP/BUBBLER SYSTEM.
- ALL TREES & SHRUBS OUTSIDE OF BEDS WITHIN NATIVE AREAS SHALL BE DRIP IRRIGATED. ALL IRRIGATION SHALL BE AN AUTOMATIC UNDERGROUND SYSTEM
- REFER TO IRRIGATION PLANS FOR DETAILED INFORMATION.

MAINTENANCE

- CONTRACTOR IS TO MAINTAIN ALL PLANTINGS AND ASSOCIATED IRRIGATION SYSTEM INSTALLED UNDER THIS CONTRACT UNTIL FINAL ACCEPTANCE BY THE CITY AND TURNOVER TO OWNER. THIS MAINTENANCE SHALL INCLUDE PROPER WATERING OF ALL PLANTS, AND MOWING OF TURF/SEED AREAS IF NECESSARY.
- SITE MUST BE CLEAN AND FREE OF ALL CONSTRUCTION DEBRIS BEFORE FINAL ACCEPTANCE.
- ALL PLANT MATERIAL WILL BE COVERED BY A WARRANTY PERIOD. THE CONTRACTOR SHALL REPLACE DEAD, UNHEALTHY, OR OTHERWISE UNSATISFACTORY MATERIAL THROUGHOUT THIS PERIOD. THE WARRANTY SHALL BEGIN UPON FINAL ACCEPTANCE OF THE JOB.
- LANDSCAPING SHALL BE PLANTED AND MAINTAINED IN A LIVING CONDITION BY THE OWNER OR ASSIGNS OR OWNERS ASSOCIATION. TREES AND SHRUBS MUST HAVE A 100% ONGOING SURVIVAL RATE. ANY DEAD OR DAMAGED PLANT MATERIAL (AS DETERMINED BY THE LOCAL MUNICIPALITY) SHALL BE REPLACED. NON-LIVING GROUND COVERS, SUCH AS ROCK OR MULCH, MUST BE 100% INTACT AFTER ONE YEAR AND 100% INTACT THEREAFTER.
- LANDSCAPE AREAS WITHIN THE PROPERTY AND WITHIN THE ADJACENT RIGHT OF WAY SHALL BE MAINTAINED BY THE PROPERTY OWNER.

- PROVIDE A SMOOTH TRANSITION BETWEEN ADJACENT EXISTING GRADES AND NEW GRADES.
- CUT OUT SOFT SPOTS. FILL LOW SPOTS AND TRIM HIGH SPOTS TO COMPLY WITH REQUIRED SURFACE TOLERANCES.
- SITE GRADING: SLOPE GRADES TO DIRECT WATER AWAY FROM ADJACENT STRUCTURES AND TO PREVENT PONDING. FINISH SUBGRADES TO REQUIRED ELEVATIONS WITHIN THE FOLLOWING TOLERANCES:
 - AT LOCATIONS DESIGNATED FOR LAWN OR UNPAVED AREAS: PLUS OR MINUS 1 INCH (25 MM).
 - AT DESIGNATED PAVEMENT LOCATIONS: PLUS OR MINUS 1/2 INCH (13 MM).
- GRADING ON SLOPES: INSTALL EROSION STABILIZATION FABRIC PER MANUFACTURERS RECOMMENDATIONS ON SLOPED SURFACES EQUAL TO OR GREATER THAN A RATIO OF 1) VERTICAL FOOT TO 3) HORIZONTAL FEET.
- CONTRACTOR WILL ENGAGE A QUALIFIED INDEPENDENT GEOTECHNICAL ENGINEERING TESTING AGENCY TO PERFORM FIELD QUALITY-CONTROL TESTING.
- PROTECT NEWLY GRADED AREAS FROM TRAFFIC, FREEZING, AND EROSION. KEEP FREE OF TRASH AND DEBRIS.
- REPAIR AND REESTABLISH GRADES TO SPECIFIED TOLERANCES WHERE COMPLETED OR PARTIALLY COMPLETED SURFACES BECOME ERODED, RUTTED, SETTLED, OR WHERE THEY LOSE COMPACTION DUE TO SUBSEQUENT CONSTRUCTION OPERATIONS OR WEATHER CONDITIONS.
- WHERE SETTLING OCCURS BEFORE PROJECT CORRECTION PERIOD ELAPSES, REMOVE FINISHED SURFACE GRADING, BACKFILL WITH ADDITIONAL SOIL MATERIAL, COMPACT, AND RECONSTRUCT SURFACE GRADING.
- TRANSPORT SURPLUS SATISFACTORY SOIL TO DESIGNATED STORAGE AREAS ON OWNER'S PROPERTY. STOCKPILE OR SPREAD SOIL AS DIRECTED BY OWNER.

IRRIGATION TO ACHIEVE SEED ESTABLISHMENT. SUCH METHODS SHALL BE IN COMPLIANCE WITH THE PROJECT'S EROSION CONTROL METHODS, BMP'S AND ALL CITY CODES AND REQUIREMENTS.

- MULCH WILL BE HYDRO MULCH. HYDRO MULCH SHALL BE CONWED 200 AND TACKIFIER OR APPROVED SUBSTITUTE MEETING THE FOLLOWING REQUIREMENTS.
- VIRGIN WOOD CELLULOSE FIBER MAY NOT CONTAIN ANY SUBSTANCE OR FIBER THAT MAY INHIBIT GERMINATION OF GROWTH OF GRASS SEEDS AND PLANTS.

- DYE TO APPROPRIATE COLOR TO ALLOW PROPER METERING OF APPLICATION.
- FIBERS MUST HAVE ABILITY TO BECOME EVENLY DISPERSED AND SUSPENDED WHEN AGITATED IN WATER.
- WHEN SPRAYED UNIFORMLY ON SURFACE OF SOIL, FIBERS SHALL FORM BLOTTER - LIKE GROUND COVER THAT READILY ABSORBS WATER, AND ALLOWS INFILTRATION TO UNDERLYING SOIL.

- WEIGHT SPECIFICATIONS SHALL REFER ONLY TO AIR DRY WEIGHT OF FIBERS WITH A STANDARD MOISTURE CONTENT OF TEN PERCENT (10%). VI. MULCH MATERIAL SHALL BE SUPPLIED IN CONTAINERS NOT WEIGHING OVER ONE HUNDRED (100) LBS AND SHOWING AIR DRY WEIGHT OF FIBERS. VII. ORGANIC TACKIFIER MAY BE SUPPLIED WITH HYDROMULCH FIBERS OR BE ADDED AT A LATER TIME.

WEED MANAGEMENT

BEFORE SEEDING, REMOVE EXISTING WEEDS BY PULLING, TILLING UNDER AND/OR, APPLYING A GLYPHOSATE HERBICIDE SUCH AS ROUNDUP®, OR BY A COMBINATION OF THESE METHODS. FOR ADDITIONAL WEED CONTROL AFTER SITE PREPARATION, A SOIL FUNGICIDE MAY BE USED, OR THE AREA MAY BE IRRIGATED TO ENCOURAGE WEED GROWTH AND THEN SPRAYED WITH A GENERAL HERBICIDE.

IN VERY WEEDY AREAS, THE FOLLOWING METHOD IS SUGGESTED: (1) TILL SOIL OR SPRAY VEGETATION WITH ROUNDUP®, WHEN USING AN HERBICIDE, ALLOW VEGETATION TO DIE, THEN RAKE OUT THE DEAD DEBRIS. IF PERENNIAL WEEDS SUCH AS BINDWEED ARE PRESENT, USING AN HERBICIDE IS MORE EFFECTIVE THAN TILLING. (2) IRRIGATE TO ENCOURAGE GERMINATION OF WEED SEEDS NEAR THE SURFACE. MOST SEEDS WILL GERMINATE WITHIN TWO WEEKS IF CONSISTENT MOISTURE IS AVAILABLE. DO NOT TILL THE SOIL, AGAIN BECAUSE THIS WILL BRING EVEN MORE WEED SEEDS UP TO THE SURFACE. (3) SPRAY ANY NEW GROWTH WITH ROUNDUP®, (4) AFTER RAKING OUT DEAD VEGETATION, ALLOW SOIL TO RECOVER FOR 4-6 WEEKS BEFORE PLANTING SEE. A RECOVERY PERIOD OF THIS DURATION IS ADVISABLE BECAUSE EXTENSIVE USE OF GLYPHOSATE HERBICIDES MAY CAUSE A DELAY IN GERMINATION AND IN THE VIGOROUS GROWTH OF SEEDLINGS. ONCE THE SEEDS HAVE GERMINATED, FURTHER WEED CONTROL IS USUALLY NECESSARY. IF PRACTICAL, PULL ALL WEEDS AS SOON AS THEY CAN BE IDENTIFIED. OTHER SUCCESSFUL TECHNIQUES ARE SPOT-SPRAYING WITH A GENERAL HERBICIDE OR SELECTIVELY CUTTING WEEDS WITH A STRING TRIMMER. BE SURE TO REMOVE WEEDS BEFORE THEY RESEED.

ONCE ESTABLISHED, NATIVE AREAS MAY BE MOWED TWICE A SEASON OR AS REQUIRED TO MINIMIZE WEED GROWTH. FURTHER MOWING ADJACENT TO ROADWAYS AND PARK AREAS MAY BE REQUIRED AS SEASONAL DROUGHT AND FIRE CONDITIONS MAY DICTATE.

PLANT SCHEDULE

FILING 16 PLANT SCHEDULE

DECIDUOUS TREES	QTY	BOTANICAL NAME	COMMON NAME	CONT	CAL / SIZE
AE	1	ACER PLATANOIDES 'EMERALD QUEEN'	EMERALD QUEEN MAPLE	B & B	2.5" CAL
HAC	11	CELTIS OCCIDENTALIS	COMMON HACKBERRY	B & B	2.5" CAL
GI	8	GLEDITSIA TRIACANTHOS 'IMPERIAL'	IMPERIAL HONEYLOCUST	B & B	2.5" CAL
GK	3	GYMNOCLADUS DIOICA	KENTUCKY COFFEE TREE	B & B	2.5" CAL
QB	21	QUERCUS BICOLOR	SWAMP WHITE OAK	B & B	2.5" CAL
QR	1	QUERCUS RUBRA	RED OAK	B & B	2.5" CAL
RAL	3	TILIA AMERICANA 'REDMOND'	REDMOND AMERICAN LINDEN	B & B	2.5" CAL
TG2	5	TILIA CORDATA 'GLENLEVEN'	GLENLEVEN LITTLELEAF LINDEN	B & B	2.5" CAL
TG	7	TILIA CORDATA 'GREENSPIRE'	GREENSPIRE LITTLELEAF LINDEN	B & B	2.5" CAL
EVERGREEN TREES	QTY	BOTANICAL NAME	COMMON NAME	CONT	CAL / SIZE
PSP	8	PINUS FLEXILIS	LIMBER PINE	B & B	6"-8" HT
PN	6	PINUS NIGRA	AUSTRIAN BLACK PINE	B & B	6"-8" HT
PPI	10	PINUS PONDEROSA	PONDEROSA PINE	B & B	6"-8" HT
ORNAMENTAL TREES	QTY	BOTANICAL NAME	COMMON NAME	CONT	CAL / SIZE
AH	20	ACER TATARICUM 'HOT WINGS'	HOT WINGS TATARIAN MAPLE	B & B	2" CAL
WKH	14	CRATAEGUS VIRIDIS 'WINTER KING'	'WINTER KING' HAWTHORN	B & B	2" CAL
SC	10	MALUS X 'SPRING SNOW'	SPRING SNOW CRAB APPLE	B & B	2" CAL
ANNUALS/PERENNIALS	QTY	BOTANICAL NAME	COMMON NAME	CONT	HT X SPD
EP	19	ECHINACEA PURPUREA	PURPLE CONEFLOWER	1 GAL	2' X 2'
BES	61	RUBRBECKIA FULGIDA SULLIVANTII 'GOLDSTURM'	BLACK-EYED SUSAN	1 GAL	1.5' X 1.5'
SP	16	SCABIOSA CAUCASICA 'PERFECTA BLUE'	PINCUSHION FLOWER	1 GAL	2.5' X 1.5'
DECIDUOUS SHRUBS	QTY	BOTANICAL NAME	COMMON NAME	CONT	HT X SPD
SSB	3	AMELANCHIER ALNIFOLIA 'REGENT'	SASKATOON SERVICEBERRY	5 GAL	12' X 8'
AG	4	AMELANCHIER X GRANDIFLORA 'AUTUMN BRILLIANCE'	'AUTUMN BRILLIANCE' SERVICEBERRY	5 GAL	15' X 10'
CD	33	CARYOPTERIS X CLANDONENSIS 'DARK KNIGHT'	BLUE MIST SHRUB	5 GAL	3' X 4'
CJ	30	CERCOCARPUS INTRICATUS	LITTLE LEAF MOUNTAIN MAHOGANY	5 GAL	5' X 5'
CB	1	CORNUS SERICEA 'BAILEY'	RED TWIG DOGWOOD	5 GAL	8' X 8'
PS2	9	RUSTEMON STRICTUS	ROCKY MOUNTAIN PENSTEMON	5 GAL	2' X 3'
RHU	2	RHUS AROMATICA 'GRO-LOW'	GRO-LOW FRAGRANT SUMAC	5 GAL	3' X 6'
EVERGREEN SHRUBS	QTY	BOTANICAL NAME	COMMON NAME	CONT	HT X SPD
CSM	21	CYTISUS SCOPARIUS 'MOONLIGHT'	MOONLIGHT BROOM	5 GAL	3' X 5'
EC	6	EUONYMUS FORTUNEI 'COLORATA'	PURPLE-LEAF WINTER CREEPER	5 GAL	2' X 5'
JH	11	JUNIPERUS HORIZONTALIS 'HUGHES'	HUGHES JUNIPER	5 GAL	1.5' X 6'
PS	10	PINUS MUGO 'SLOWMOUND'	MUGO PINE	5 GAL	2.5' X 5'
ORNAMENTAL GRASSES	QTY	BOTANICAL NAME	COMMON NAME	CONT	HT X SPD
CK	115	CALAMAGROSTIS X ACUTIFLORA 'KARL FOERSTER'	FEATHER REED GRASS	1 GAL	4' X 2'
BOG	14	HELICTOTRICHON SEMPERVIRENS	BLUE OAT GRASS	1 GAL	3' X 2'
MG	26	MISCANTHUS SINENSIS 'GRACILLIMUS'	MAIDEN GRASS	1 GAL	4' X 5'
MY	37	MISCANTHUS SINENSIS 'YAKU JIMA'	YAKU JIMA DWARF MAIDEN GRASS	1 GAL	3' X 3'
GROUND COVERS	QTY	BOTANICAL NAME	COMMON NAME	CONT	
	44,818 SF	ENVIROTURF RE: LANDSCAPE NOTES	ENVIROTURF		SOD
	2,368 SF	ROCK MULCH GREY, 4" DIA. COBBLE 4" DEPTH, RE: LDSCP NOTES	ROCK MULCH GREY, 4" DIA. COBBLE		MULCH
	420 SF	ROCK MULCH TAN, 4" DIA. COBBLE 4" DEPTH, RE: LDSCP NOTES	ROCK MULCH TAN, 4" DIA. COBBLE		MULCH
	10,017 SF	SEED MIX 1 TOWN OF PARKER - SEED MIX 1, RE: LANDSCAPE NOTES	SEED MIX 1		SEED

NOTES:

- DISTURBED AREAS TO BE RE-VEGETATED PER THE GRADING AND EROSION CONTROL PLANS.
- PER TREE CONSERVATION PLAN, ALL MITIGATED SHRUBS FROM REMOVAL OF EXISTING SHRUB MASSES SHALL BE PLANTED WITHIN THE PROPOSED LANDSCAPE.
- LANDSCAPE PLACEMENT IN THE TREE LAWN ADJACENT TO LOTS IS NOT FINAL AND MAY CHANGE BASED UPON DRIVEWAY AND UTILITY LOCATIONS.
- NO FENCES OR STRUCTURES WILL BE ALLOWED WITHIN SIGHT TRIANGLES.
- SHRUBS AND PLANTINGS WILL BE NO TALLER THAN 2 FEET WITHIN THE SIGHT TRIANGLE.
- TEMPORARY IRRIGATION FOR ESTABLISHMENT OF NATIVE VEGETATION MUST BE INSTALLED ABOVE GROUND, AND REMOVED IMMEDIATELY AFTER ESTABLISHMENT IS COMPLETE.

SEED MIXES

TOWN OF PARKER SEED MIX 1

COMMON NAME	PERCENTAGE
CANADA WILDRYE	20%
CRESTED WHEATGRASS	15%
SLENDER WHEATGRASS	15%
ANNUAL RYEGRASS	10%
SHEEP FESCUE	10%
BIG BLUESTEM	10%
SIDE-OATS GRAMA	10%
CANADA BLUEGRASS	5%
BLUE GRAMA	5%

SEED MIX 2

COMMON NAME	PERCENTAGE
SLENDER WHEATGRASS	22%
SODAR STREAMBANK WHEATGRASS	18%
ARIZONA FESCUE	13%
BLUE GRAMA	13%
BUFFALO GRASS	12%
BARLEY OR OATS	12%
SPIKE MUHLY	5%
INDIAN RICEGRASS	5%

SEEDING RATE
DRILLED: 25 LBS./AC.
BROADCAST: 50 LBS./AC.

TEMPORARILY IRRIGATED

NATIVE SEED MIX

COMMON NAME	PERCENTAGE
EPHRATAI CRESTED WHEATGRASS	25%
SHEEP FESCUE	23%
PERENNIAL RYEGRASS	18%
CANADA BLUEGRASS	13%
BARLEY OR OATS	12%
BLUE FESCUE	9%

SEEDING RATE

DRILLED: 25 LBS./AC.
BROADCAST: 50 LBS./AC.

- NOTE:
1. SEED MIX TO BE USED IN AREAS DISTURBED BY GRADING.
2. AREAS WITH THIS SEED MIX TO BE TEMPORARILY IRRIGATED UNTIL ESTABLISHMENT ONLY.

FINE GRADING NOTES

- SLOPES NOT TO EXCEED 4:1 MAX. - 1% MIN.
- SATISFACTORY SOILS: ASTM D 2487 SOIL CLASSIFICATION GROUPS GW, GP, GM, SW, SP, AND SM, OR A COMBINATION OF THESE GROUP SYMBOLS; FREE OF ROCK OR GRAVEL LARGER THAN 3 INCHES (75 MM) IN ANY DIMENSION, DEBRIS, WASTE, FROZEN MATERIALS, VEGETATION, AND OTHER DELETERIOUS MATTER.
- STRIP TOPSOIL TO WHATEVER DEPTHS ARE ENCOUNTERED IN A MANNER TO PREVENT INTERMINGLING WITH UNDERLYING SUBSOIL OR OTHER WASTE MATERIALS.
- STRIP EXISTING SURFACES OF UNSUITABLE TOPSOIL, INCLUDING TRASH, DEBRIS, WEEDS, ROOTS, AND OTHER WASTE MATERIALS.
- STOCKPILE TOPSOIL MATERIALS ON-SITE WITHOUT INTERMIXING WITH SUBSOIL.
- REMOVE EXISTING VEGETATION, DEBRIS, UNSATISFACTORY SOIL MATERIALS, OBSTRUCTIONS, AND DELETERIOUS MATERIALS FROM GROUND SURFACE BEFORE PLACING FILLS.
- FLOW, SCARIFY, BENCH, OR BREAK UP SLOPED SURFACES STEEPER THAN 1 VERTICAL TO 4 HORIZONTAL. SO FILL MATERIAL WILL BOND WITH EXISTING MATERIAL.
- PLACE AND COMPACT FILL MATERIAL IN LAYERS TO REQUIRED CROSS-SECTIONS, ELEVATIONS AND GRADES WITH SATISFACTORY SOIL MATERIAL.
- UNIFORMLY GRADE AREAS TO A SMOOTH SURFACE, FREE FROM IRREGULAR SURFACE CHANGES. COMPLY WITH COMPACTION REQUIREMENTS AND GRADE TO CROSS SECTIONS, LINES, AND ELEVATIONS INDICATED.

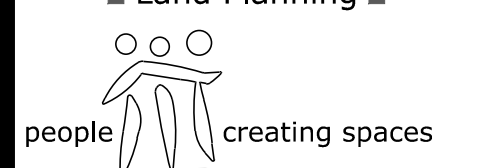
SEEDING ESTABLISHMENT NOTES:

- SEED SHALL BE LABELED IN ACCORDANCE WITH THE U.S. DEPARTMENT OF AGRICULTURE, RULES AND REGULATIONS AND FEDERAL SEED ACT. SEED SHALL BE EQUAL IN QUALITY TO THE STANDARDS FOR 'CERTIFIED SEED' AND SHALL BE FURNISHED IN SEALED, UNOPENED, STANDARD CONTAINERS. SEED SHALL BE FRESH, CLEAN, PURE LIVE SEED WITH THE VARIETIES MIXED IN PROPORTIONS BY WEIGHT SHOWN AND MEETING THE MINIMUM PERCENTAGES OF PURITY AND GERMINATION SPECIFIED.
- SEED SHALL BE APPLIED AT A RATE SHOWN BY MIX. SEED SHALL PASS GOVERNMENT TEST OF GERMINATION OF EIGHTY PERCENT (80%) AND FOR PURITY OF NINETY PERCENT (90%). THE PURE LIVE SEED SHALL NOT BE LESS THAN SIXTY SEVEN ON ONE-HALF PERCENT (67.5%) FOR ANY ONE VARIETY, WITH THE AVERAGE OF THE MIXTURE, NO LESS THAN SEVENTY TWO PERCENT (72%). ALL SEED SHALL BE FREE OF POA ANNUA AND ALL NOXIOUS OBJECTIONABLE WEEDS WITH A MAXIMUM CROP OF ONE-TENTH PERCENT (0.1%) AND MAXIMUM WEED OF ONE TENTH PERCENT (0.1%). IF SEED AVAILABLE ON THE MARKET DOES NOT MEET THE MINIMUM PURITY AND GERMINATION PERCENTAGES SPECIFIED, THE CONTRACTOR MUST COMPENSATE BY FURNISHING SUFFICIENT ADDITIONAL SEED TO EQUAL THE SPECIFIED PRODUCT.
- SPREAD ORGANIC SOIL AMENDMENT MATERIALS, AT A RATE OF 3 C.Y. PER 1000 SQUARE FEET, EVENLY OVER ENTIRE DISTURBED AREA AND THOROUGHLY INCORPORATE, BY MIXING, ROTOTILLING OR FINELY DISKING (MAX. 1" SIZE), TO A DEPTH OF SIX INCHES. ALL STONES, STICKS AND DEBRIS BROUGHT TO THE SURFACE SHALL BE REMOVED FROM THE SITE PROPERLY DISPOSED OF BY THE CONTRACTOR, AT NO ADDITIONAL COST TO THE OWNER. ALL SEED AREAS WILL THEN BE RAKED AND ROLLED TO THE DESIRED FINISHED GRADES WITH GENTLY SLOPING SURFACES TO ADEQUATELY DRAIN ALL SURFACE WATER RUNOFF. THE FINISHED SURFACE SHALL BE EVEN AND UNIFORM AND NO DIRT CLODS LARGER THAN ONE INCH (1") IN DIAMETER SHALL APPEAR ON THE SURFACE. THE SOIL SURFACE SHALL BE SMOOTH, LOOSE AND OF FINE TEXTURE, AND BE FLUSH WITH ALL PAVING EDGES.
- CONTRACTOR SHALL USE APPROPRIATE MECHANICAL POWER (BRILLION SEEDER OR EQUAL) TO DRILL THE SEED INTO THE SEEDBED WHEREVER POSSIBLE. SEED SHALL BE SOWN TO A DEPTH OF ONE-HALF INCH (1/2"). DRILLING SHALL BE DONE IN 2 SEPARATE APPLICATIONS CROSSING THE AREA AT RIGHT ANGLES TO ONE ANOTHER TO GUARANTEE PROPER COVERAGE. ON SLOPING LAND, SEEDING OPERATIONS SHALL FOLLOW THE GENERAL CONTOUR. AREAS TOO SMALL TO DRILL SEED MAY BE BROADCAST BY HAND AND APPLICATION RATES SHALL BE DOUBLED. SEEDING OF ANY KIND WILL NOT BE PERMITTED WHEN WIND VELOCITY IS SUCH AS TO PREVENT UNIFORM SEED DISTRIBUTION. NO APPLICATION SHALL TAKE PLACE WITH THE PRESENCE OF FREE SURFACE WATER OR WHEN GROUND IS FROZEN OR CANNOT BE TILLED. ADDITIONAL TOPICAL OVER SEEDING MAY BE APPLIED TO PREVIOUSLY SEEDED AREAS IN ORDER TO ACHIEVE ADEQUATE GROUND COVER AND EROSION RESISTANCE.
- SEEDED AREAS MAY REQUIRE TEMPORARY ABOVE GROUND SPRAY IRRIGATION UNTIL ESTABLISHMENT. IRRIGATION SHALL BE REMOVED UPON ACCEPTANCE BY THE CITY. WHERE STEEP SLOPES OCCUR, LANDSCAPE CONTRACTOR MAY REQUIRE VARIOUS METHODS OF TEMPORARY

Prepared For

ESX MANAGEMENT
7353 SOUTH ALTON WAY
CENTENNIAL, CO 80112

Land Planning



pcs group inc. www.pcsgrppco.com
#3, 8480 Independence Plaza
1007 16th street, denver, co 80265
1.303.531.4905 . 1.303.531.4908

Engineering



10333 E. DRY CREEK RD. #240
ENGLEWOOD, CO 80112
720-482-9526

TRAILS AT CROWFOOT
FILING 16 LANDSCAPE PLANS
PARKER, COLORADO

Drawn by: BEM, GG, JWD
Checked by: PCS STAFF
Submitted Date: 06.20.2018
Date: 09.26.2018
Know what's below. Call before you dig. 811

FILING 16 PLANT SCHEDULE

DECIDUOUS TREES	QTY	BOTANICAL NAME	COMMON NAME
AE	1	ACER PLATANOIDES 'EMERALD QUEEN'	EMERALD QUEEN MAPLE
HAC	11	CELTIS OCCIDENTALIS	COMMON HACKBERRY
GI	8	GLEDITSIA TRIACANTHOS 'IMPERIAL'	IMPERIAL HONEYLOCUST
GK	3	GYMNOCLADUS DIOICA	KENTUCKY COFFEE TREE
QB	21	QUERCUS BICOLOR	SWAMP WHITE OAK
OR	1	QUERCUS RUBRA	RED OAK
RAL	3	TILIA AMERICANA 'REDMOND'	REDMOND AMERICAN LINDEN
TG2	5	TILIA CORDATA 'GLENLEVEN'	GLENLEVEN LITTLELEAF LINDEN
TG	7	TILIA CORDATA 'GREENSPIRE'	GREENSPIRE LITTLELEAF LINDEN

EVERGREEN TREES	QTY	BOTANICAL NAME	COMMON NAME
PSP	8	PINUS FLEXILIS	LIMBER PINE
PN	6	PINUS NIGRA	AUSTRIAN BLACK PINE
PPI	10	PINUS PONDEROSA	PONDEROSA PINE

ORNAMENTAL TREES	QTY	BOTANICAL NAME	COMMON NAME
AH	20	ACER TATARICUM 'HOT WINGS'	HOT WINGS TATARIAN MAPLE
WKH	14	CRATAEGUS VIRIDIS 'WINTER KING'	'WINTER KING' HAWTHORN
SC	10	MALUS X 'SPRING SNOW'	SPRING SNOW CRAB APPLE

ANNUALS/PERENNIALS	QTY	BOTANICAL NAME	COMMON NAME
EP	19	ECHINACEA PURPUREA	PURPLE CONEFLOWER
BES	61	RUDBECKIA FULGIDA SULLIVANTII 'GOLDSTURM'	BLACK-EYED SUSAN
SP	16	SCABIOSA CAUCASICA 'PERFECTA BLUE'	PINCUSHION FLOWER

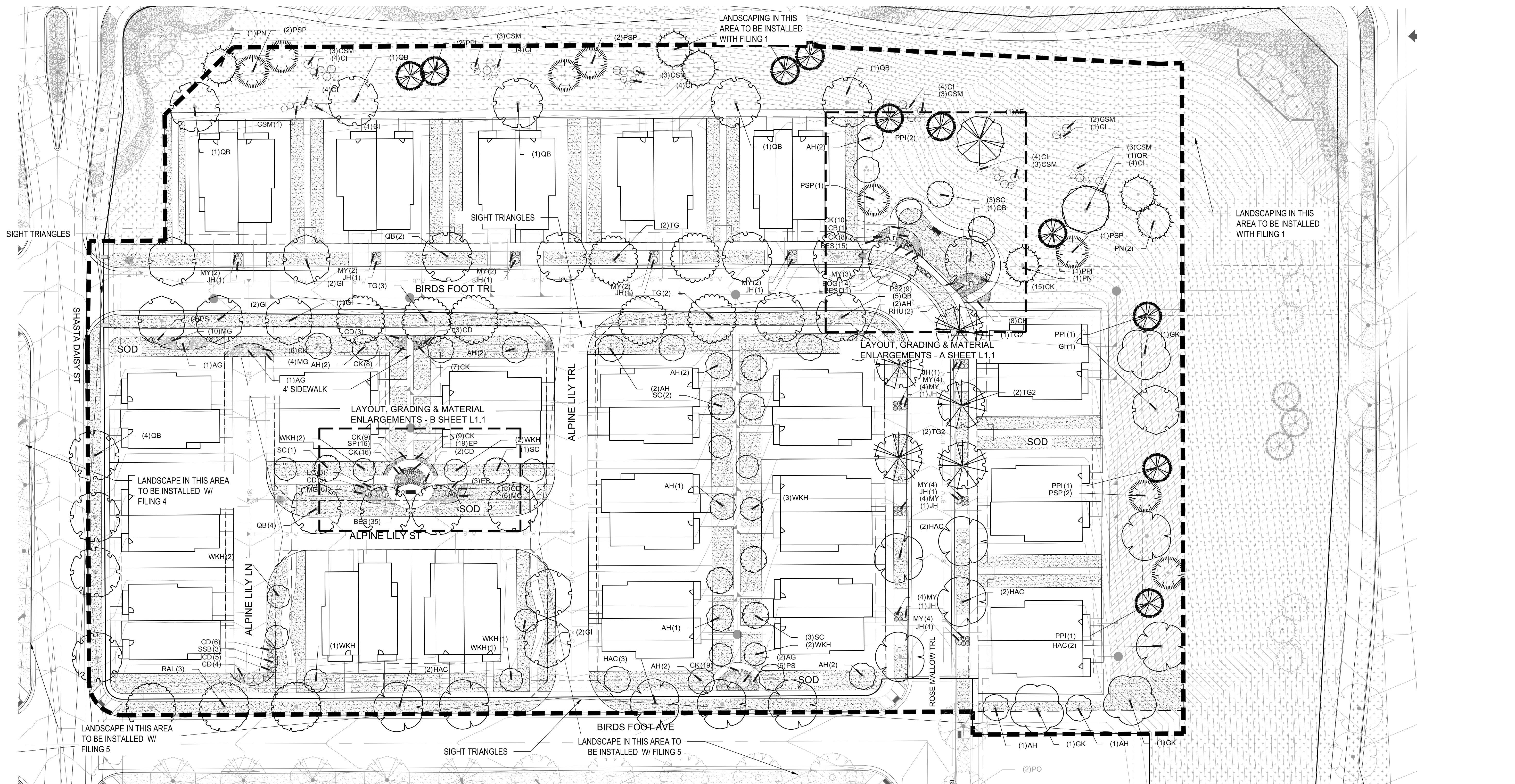
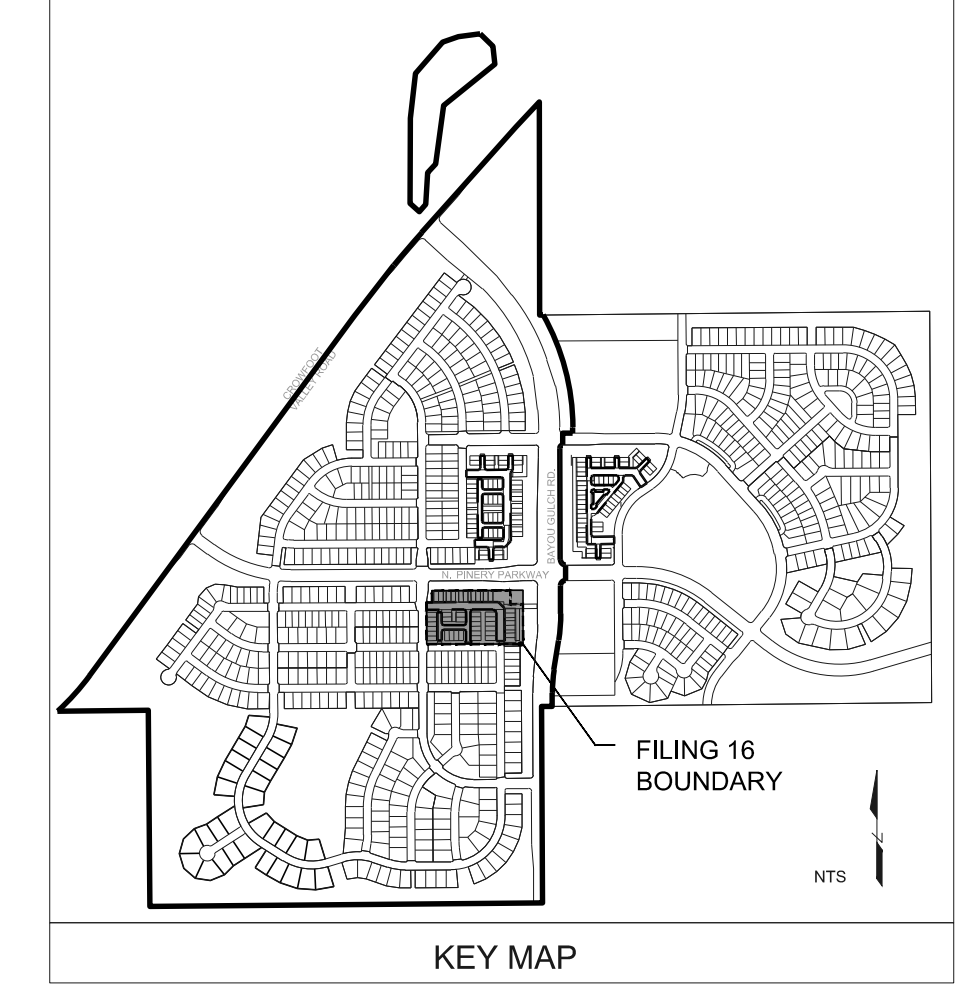
DECIDUOUS SHRUBS	QTY	BOTANICAL NAME	COMMON NAME
SSB	3	AMELANCHIER ALNFOLIA 'REGENT'	AMELANCHIER X GRANDIFLORA 'REGENT'
AG	4	AMELANCHIER X GRANDIFLORA 'AUTUMN BRILLIANCE'	'AUTUMN BRILLIANCE' AMELANCHIER
CD	33	CARYOPTERIS X CLANDONENSIS 'DARK KNIGHT'	'DARK KNIGHT' CARYOPTERIS X CLANDONENSIS
CI	30	CERCOCARPUS INTRICATUS	LITTLE LEAF MOUNTAIN MAHOAGANY
CB	1	CORNUS SERICEA 'BAILEY'	'BAILEY' CORNUS SERICEA
PS2	9	PENSTEMON STRICTUS	ROCKY MOUNTAIN PENSTEMON
RHU	2	RHUS AROMATICA 'GRO-LOW'	'GRO-LOW' RHUS AROMATICA

EVERGREEN SHRUBS	QTY	BOTANICAL NAME	COMMON NAME
CSM	21	CYTISUS SCOPARIUS 'MOONLIGHT'	'MOONLIGHT' CYTISUS SCOPARIUS
EC	6	EUNYMIUS FORTUNEI 'COLORATA'	'COLORATA' EUNYMIUS FORTUNEI
JH	11	JUNIPERUS HORIZONTALIS 'HUGHES'	'HUGHES' JUNIPERUS HORIZONTALIS
PS	10	PINUS MUGO 'SLOWMOUND'	'SLOWMOUND' PINUS MUGO

ORNAMENTAL GRASSES	QTY	BOTANICAL NAME	COMMON NAME
CK	115	CALAMAGROSTIS X ACUTIFLORA 'KARL FOERSTER'	'KARL FOERSTER' CALAMAGROSTIS X ACUTIFLORA
BOG	14	HELICTOTRICHON SEMPERVIRENS	FEATHER REED GRASS
MG	26	MISCANTHUS SINENSIS 'GRACILLIMUS'	'GRACILLIMUS' MISCANTHUS SINENSIS
MY	37	MISCANTHUS SINENSIS 'YAKU JIMA'	'YAKU JIMA' MISCANTHUS SINENSIS

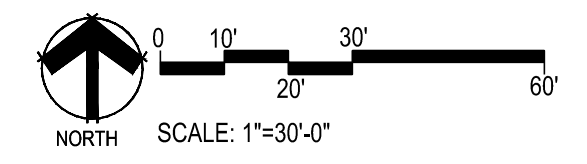
GROUND COVERS	QTY	BOTANICAL NAME
[Pattern]	44,818 SF	ENVIROTURF RE: LANDSCAPE NOTES
[Pattern]	2,368 SF	ROCK MULCH GREY, 4" DIA. COBBLE 4" DEPTH, RE: LDSCP NOTES
[Pattern]	420 SF	ROCK MULCH TAN, 4" DIA. COBBLE 4" DEPTH, RE: LDSCP NOTES
[Pattern]	10,017 SF	SEED MIX 1 TOWN OF PARKER - SEED MIX 1, RE: LANDSCAPE NOTES

- NOTES:
- LANDSCAPE MATERIAL AND TREES IN TREE LAWNS ADJACENT TO LOTS ARE RESPONSIBILITY OF HOME BUILDER. STREET TREE LOCATIONS ARE NOT FINAL AND MAY CHANGE BASED UPON DRIVEWAY LOCATION.
 - NO FENCES OR STRUCTURES WILL BE ALLOWED WITHIN SIGHT TRIANGLES.
 - SHRUBS & PERENNIALS WITHIN SIGHT TRIANGLES WILL BE NO HIGHER THAN 2'.
 - MAILBOX CLUSTER LOCATIONS ARE CONCEPTUAL ONLY. FINAL LOCATIONS TO BE DETERMINED BY POSTMASTER.
 - ALL FENCING TO BE INSTALLED AS PART OF FILING 1 OR 9.



1 LANDSCAPE PLAN-FILING 16

SCALE: 1"=30'-0"



Prepared For
ESX MANAGEMENT
 7353 SOUTH ALTON WAY
 CENTENNIAL, CO 80112

Land Planning
 people creating spaces

pcs group inc. www.pcsgroupco.com
 #3-3480 Independence plaza
 1007 16th street, denver, co 80265
 1.303.531.4905 . 1.303.531.4908

Engineering

 10333 E. DRY CREEK RD. #240
 ENGLEWOOD, CO 80112
 720-482-9526

TRAILS AT CROWFOOT
 FILING 16 LANDSCAPE PLANS
 PARKER, COLORADO

Drawn by:	BEM, GG, JWD
Checked by:	PCS STAFF
Submittal Date:	06.20.2018
Date:	09.26.2018

Know what's below. Call before you dig.

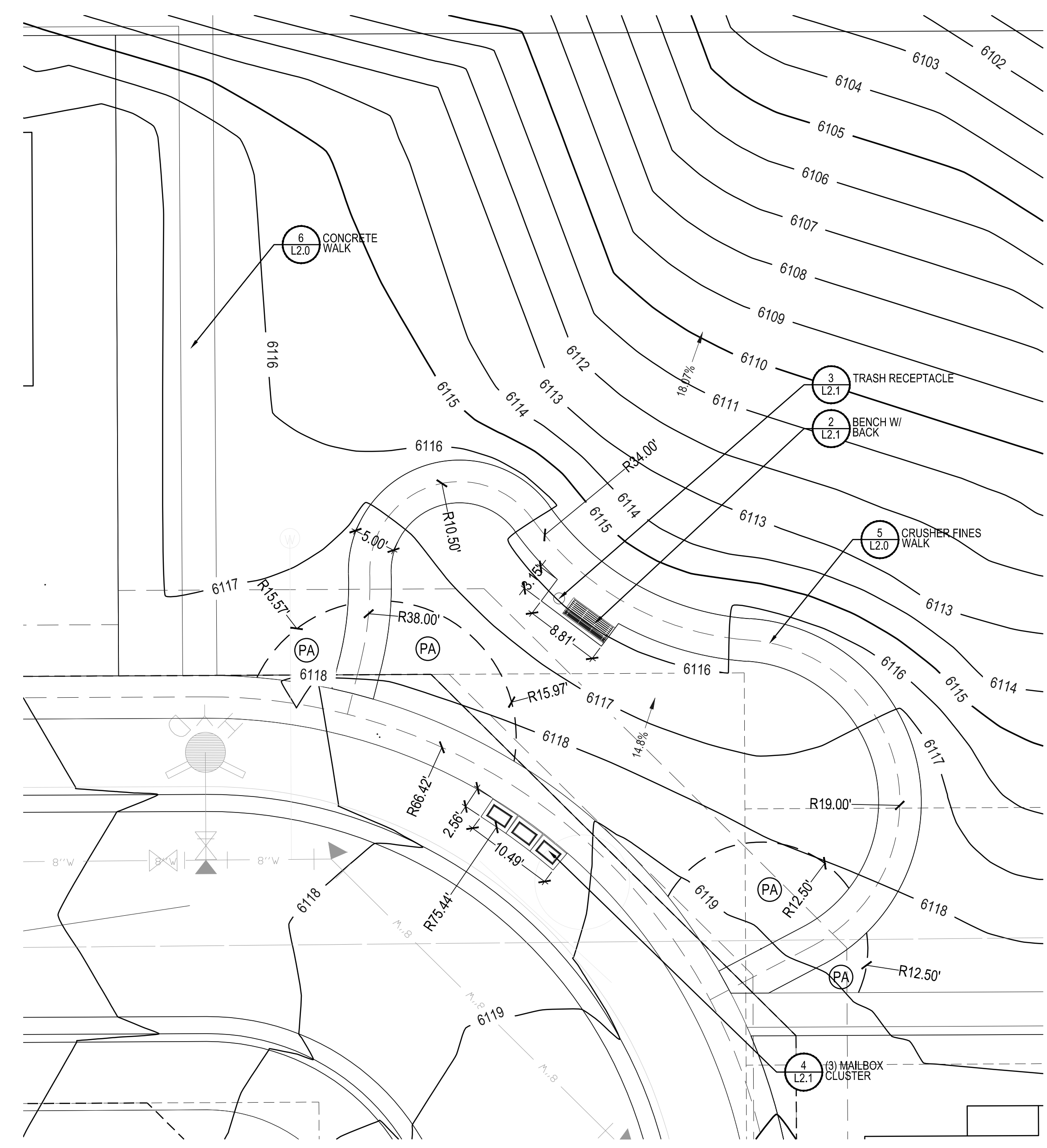
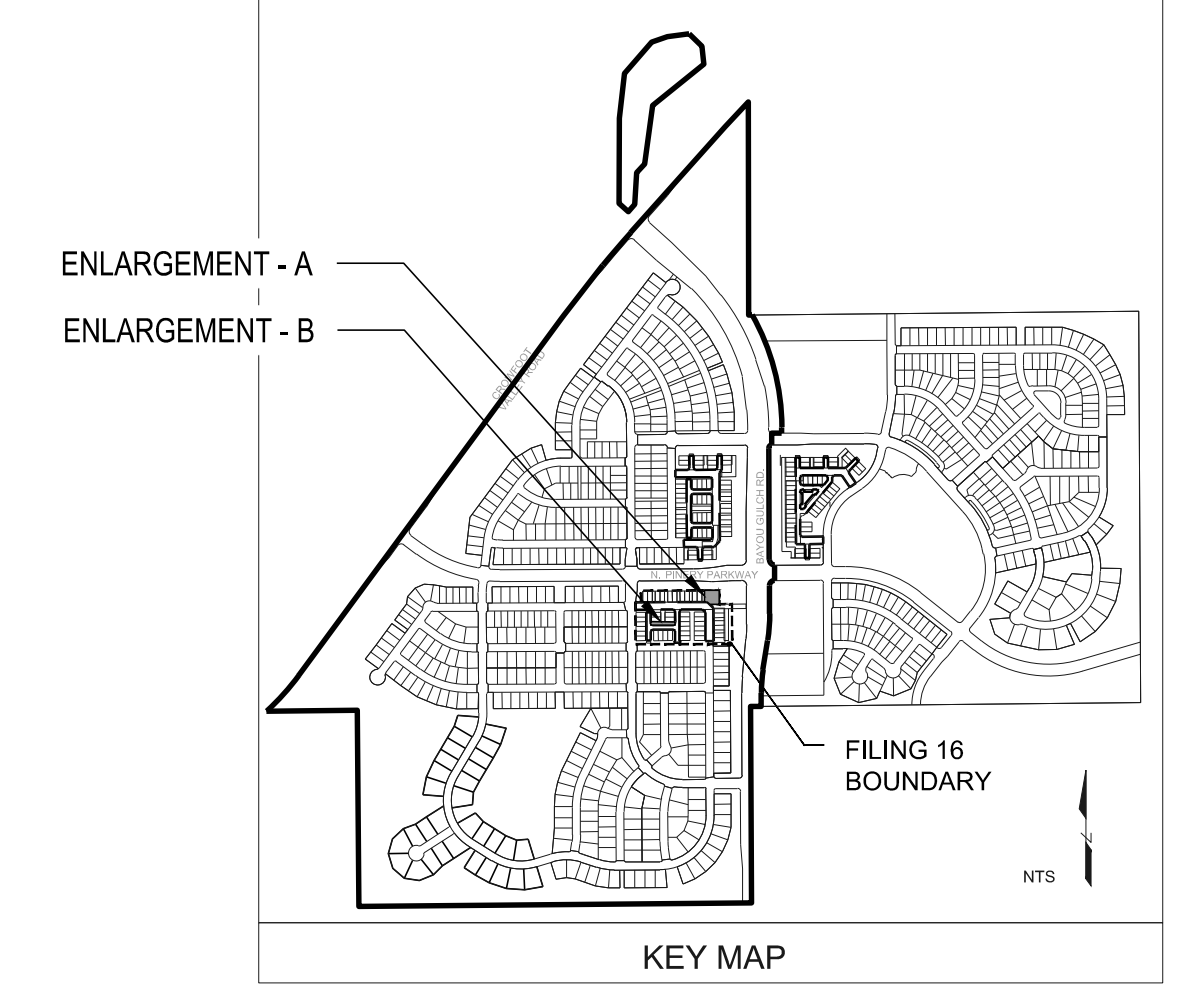
Sheet Name
LANDSCAPE PLAN

Sheet Number
L1.0

Y:\HSS RANCH\LANDSCAPE ARCHITECTURE\CURRENT DWGS\HSS-LDSCP PLANS - FILING-16_CDS.DWG
 Saturday, June 23, 2018

LANDSCAPE GRADING NOTES

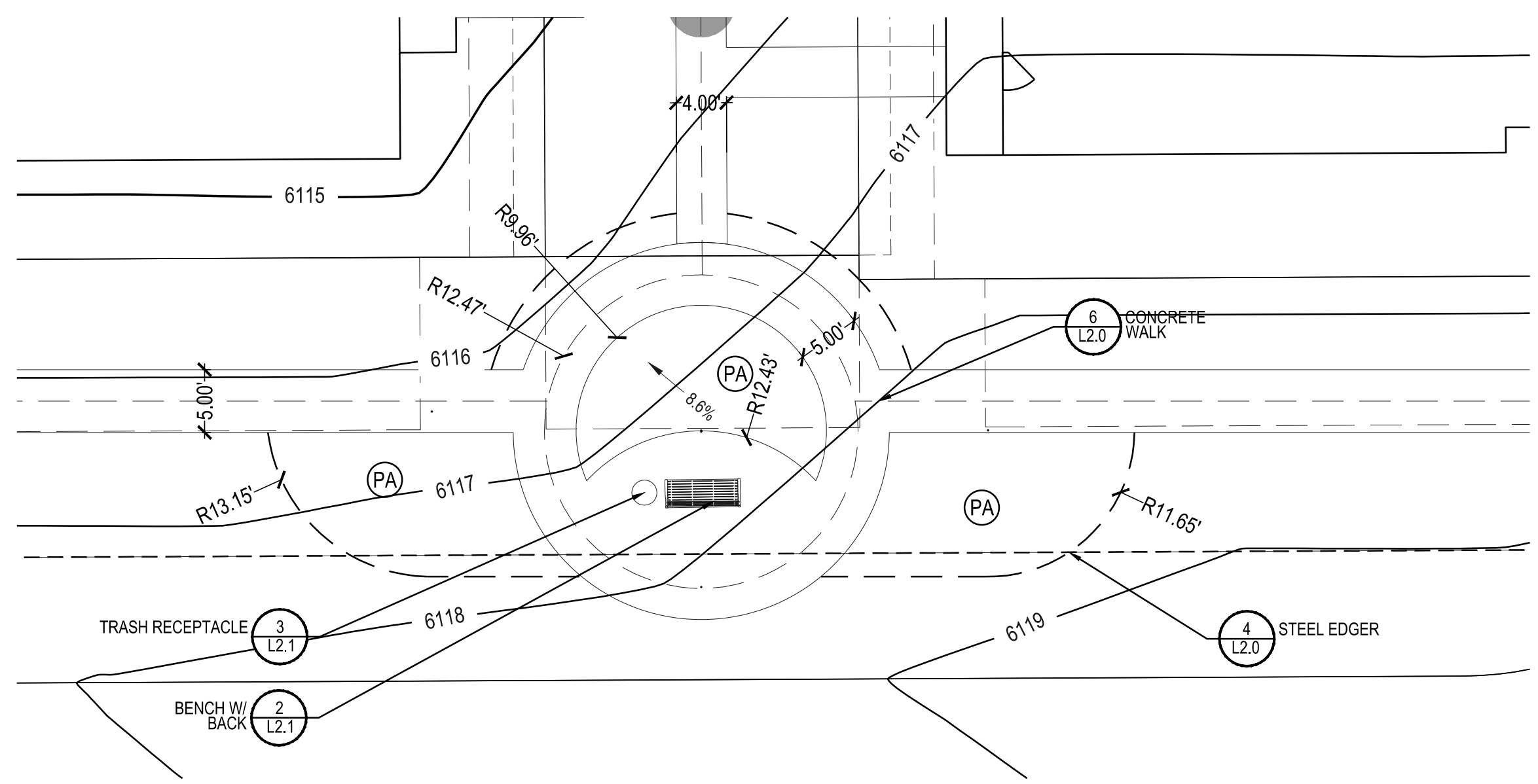
- SLOPES NOT TO EXCEED 4:1 MAX. - 1% MIN.
- SATISFACTORY SOILS: ASTM D 2487 SOIL CLASSIFICATION GROUPS GW, GP, GM, SW, SP, AND SM, OR A COMBINATION OF THESE GROUP SYMBOLS; FREE OF ROCK OR GRAVEL LARGER THAN 3 INCHES (75 MM) IN ANY DIMENSION, DEBRIS, WASTE, FROZEN MATERIALS, VEGETATION, AND OTHER DELETERIOUS MATTER.
- STRIP TOPSOIL TO WHATEVER DEPTHS ARE ENCOUNTERED IN A MANNER TO PREVENT INTERMINGLING WITH UNDERLYING SUBSOIL OR OTHER WASTE MATERIALS.
- STRIP EXISTING SURFACES OF UNSUITABLE TOPSOIL, INCLUDING TRASH, DEBRIS, WEEDS, ROOTS, AND OTHER WASTE MATERIALS.
- STOCKPILE TOPSOIL MATERIALS ON-SITE WITHOUT INTERMINGLING WITH SUBSOIL.
- REMOVE EXISTING VEGETATION, DEBRIS, UNSATISFACTORY SOIL MATERIALS, OBSTRUCTIONS, AND DELETERIOUS MATERIALS FROM GROUND SURFACE BEFORE PLACING FILLS.
- PLOW, SCARIFY, BENCH, OR BREAK UP SLOPED SURFACES STEEPER THAN 1 VERTICAL TO 4 HORIZONTAL SO FILL MATERIAL WILL BOND WITH EXISTING MATERIAL.
- PLACE AND COMPACT FILL MATERIAL IN LAYERS TO REQUIRED CROSS-SECTIONS, ELEVATIONS AND GRADES WITH SATISFACTORY SOIL MATERIAL.
- UNIFORMLY GRADE AREAS TO A SMOOTH SURFACE, FREE FROM IRREGULAR SURFACE CHANGES. COMPLY WITH COMPACTION REQUIREMENTS AND GRADE TO CROSS SECTIONS, LINES, AND ELEVATIONS INDICATED.
- PROVIDE A SMOOTH TRANSITION BETWEEN ADJACENT EXISTING GRADES AND NEW GRADES.
- CUT OUT SOFT SPOTS, FILL LOW SPOTS AND TRIM HIGH SPOTS TO COMPLY WITH REQUIRED SURFACE TOLERANCES.
- SITE GRADING: SLOPE GRADES TO DIRECT WATER AWAY FROM ADJACENT STRUCTURES AND TO PREVENT PONDING. FINISH SUBGRADES TO REQUIRED ELEVATIONS WITHIN THE FOLLOWING TOLERANCES:
 - AT LOCATIONS DESIGNATED FOR LAWN OR UNPAVED AREAS: PLUS OR MINUS 1 INCH (25 MM).
 - AT DESIGNATED PAVEMENT LOCATIONS: PLUS OR MINUS 1/2 INCH (13 MM).
- GRADING ON SLOPES: INSTALL EROSION STABILIZATION FABRIC PER MANUFACTURERS RECOMMENDATIONS ON SLOPED SURFACES EQUAL TO OR GREATER THAN A RATIO OF 1) VERTICAL FOOT TO 3) HORIZONTAL FEET.
- CONTRACTOR WILL ENGAGE A QUALIFIED INDEPENDENT GEOTECHNICAL ENGINEERING TESTING AGENCY TO PERFORM FIELD QUALITY-CONTROL TESTING.
- PROTECT NEWLY GRADED AREAS FROM TRAFFIC, FREEZING, AND EROSION. KEEP FREE OF TRASH AND DEBRIS.
- REPAIR AND REESTABLISH GRADES TO SPECIFIED TOLERANCES WHERE COMPLETED OR PARTIALLY COMPLETED SURFACES BECOME ERODED, RUTTED, SETTLED, OR WHERE THEY LOSE COMPACTION DUE TO SUBSEQUENT CONSTRUCTION OPERATIONS OR WEATHER CONDITIONS.
- WHERE SETTLING OCCURS BEFORE PROJECT CORRECTION PERIOD ELAPSES, REMOVE FINISHED SURFACE GRADING, BACKFILL WITH ADDITIONAL SOIL MATERIAL, COMPACT, AND RECONSTRUCT SURFACE GRADING.
- TRANSPORT SURPLUS SATISFACTORY SOIL TO DESIGNATED STORAGE AREAS ON OWNER'S PROPERTY. STOCKPILE OR SPREAD SOIL AS DIRECTED BY OWNER.



1 LAYOUT, GRADING & MATERIAL ENLARGEMENT - A
SCALE: 1"=10'-0"

LAYOUT NOTES

- REFER TO CIVIL ENGINEER DRAWINGS/DATA SETS FOR PROJECT BENCHMARK AND BASIS OF BEARING.
- SITE LAYOUT DATA INCLUDING COORDINATE POINTS ARE DERIVED FROM CIVIL ENGINEERING CONSULTANT. CONTACT CIVIL ENGINEER REGARDING ANY DISCREPANCIES OR CLARIFICATIONS REGARDING COORDINATE SYSTEMS, SURVEY MARKERS OR OTHER HORIZONTAL CONTROL DATA.
- UNLESS OTHERWISE NOTED, DIMENSIONS ARE TO THE FOLLOWING: CENTERLINES, EDGE OF PAVING, CENTERS OF COLUMNS/POSTS.
- ALL EDGES OF PAVEMENT ARE TO BE STRAIGHT OR OF CONSISTENT RADIUS, IN THE CASE OF CURVES, AS SHOWN HEREON; NO UNSPECIFIED TANGENTS OR KINKS WILL BE APPROVED.
- ALL CONSTRUCTION LAYOUT STAKING IS TO BE PERFORMED BY A LAND SURVEYOR OR PROFESSIONAL ENGINEER REGISTERED IN THE STATE OF COLORADO, TO FACILITATE ACCURACY IN CONSTRUCTION STAKING, UPON WRITTEN REQUEST FROM CONTRACTOR, A CD CONTAINING THE ELECTRONIC DATA COMPRISING THESE SITE DEVELOPMENT DRAWINGS WILL BE FORWARDED FROM THE LANDSCAPE ARCHITECT TO THE LAND SURVEYOR OR PROFESSIONAL ENGINEER EMPLOYED TO PERFORM CONSTRUCTION STAKING.
- IN ORDER TO MAINTAIN THE INTEGRITY OF THE HORIZONTAL AND VERTICAL CONTROL FOR THE SITE, THE SURVEYOR OR PROFESSIONAL ENGINEER EMPLOYED BY THE CONTRACTOR TO PERFORM CONSTRUCTION LAYOUT STAKING SHALL SET AND PROTECT ADDITIONAL TRAVERSE POINTS OUTSIDE THE AREAS OF CONSTRUCTION ACTIVITY.



2 LAYOUT, GRADING & MATERIAL ENLARGEMENT - B
SCALE: 1"=10'-0"

GRADING KEYNOTES:

LEGEND	
(PA)	PLANTING AREA
6050	PROPOSED CONTOUR - MAJOR
6049	PROPOSED CONTOUR - MINOR
HP	HIGH POINT

Prepared For
ESX MANAGEMENT
 7353 SOUTH ALTON WAY
 CENTENNIAL, CO 80112

Land Planning
 people creating spaces

pcs group inc. www.pcsgroupco.com
 #3-8-180 Independence plaza
 1007 16th street, denver, co 80265
 1 303.531.4905 . 1 303.531.4906

Engineering
CVL
 CONSULTANTS
 10333 E. DRY CREEK RD. #240
 ENGLEWOOD, CO 80112
 720-482-9526

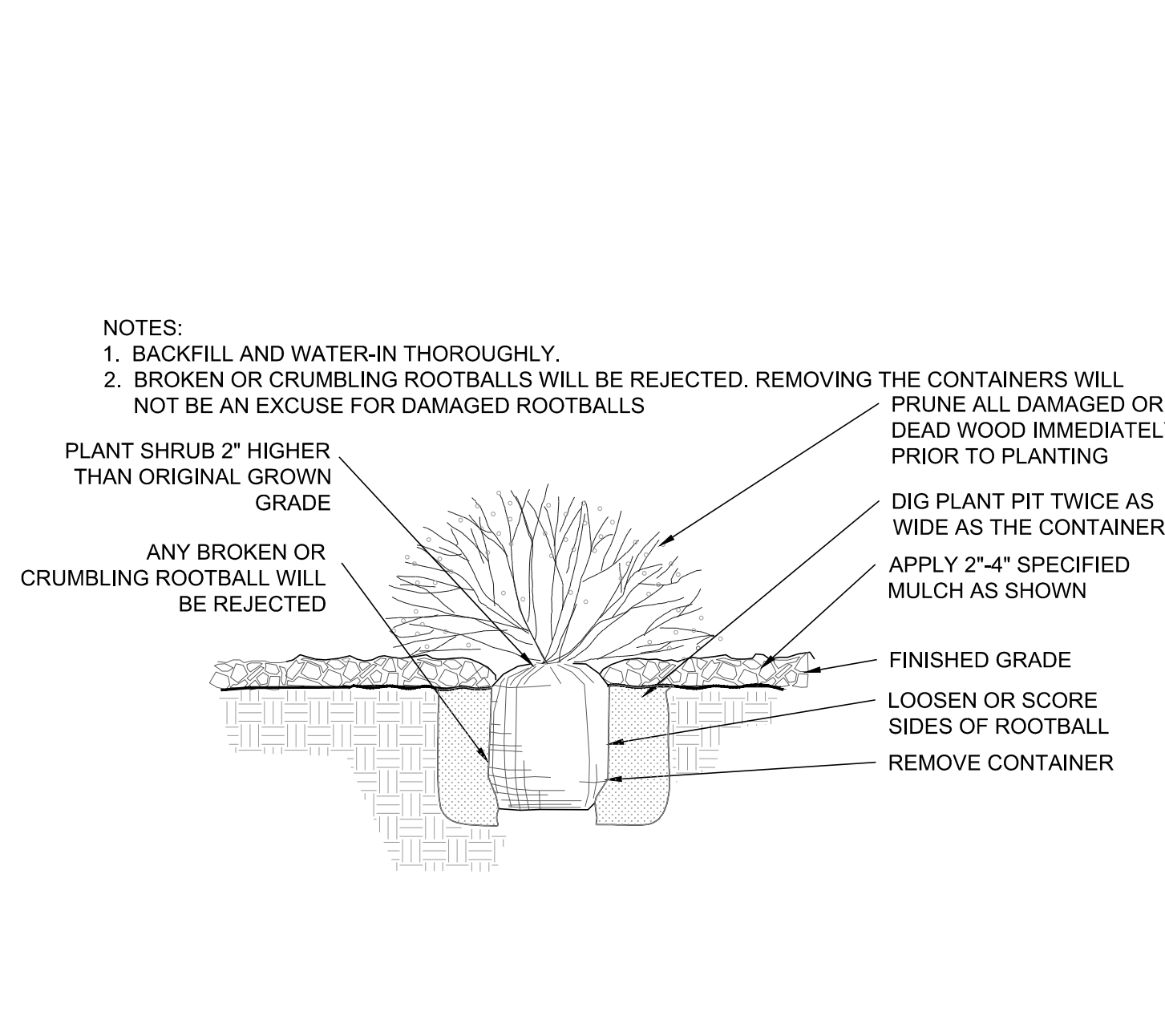
TRAILS AT CROWFOOT
 FILING 16 LANDSCAPE PLANS
 PARKER, COLORADO

Drawn by:	BEM, GG, JWD
Checked by:	PCS STAFF
Submittal Date:	06.20.2018
Date:	09.26.2018
Know what's below. Call before you dig.	811

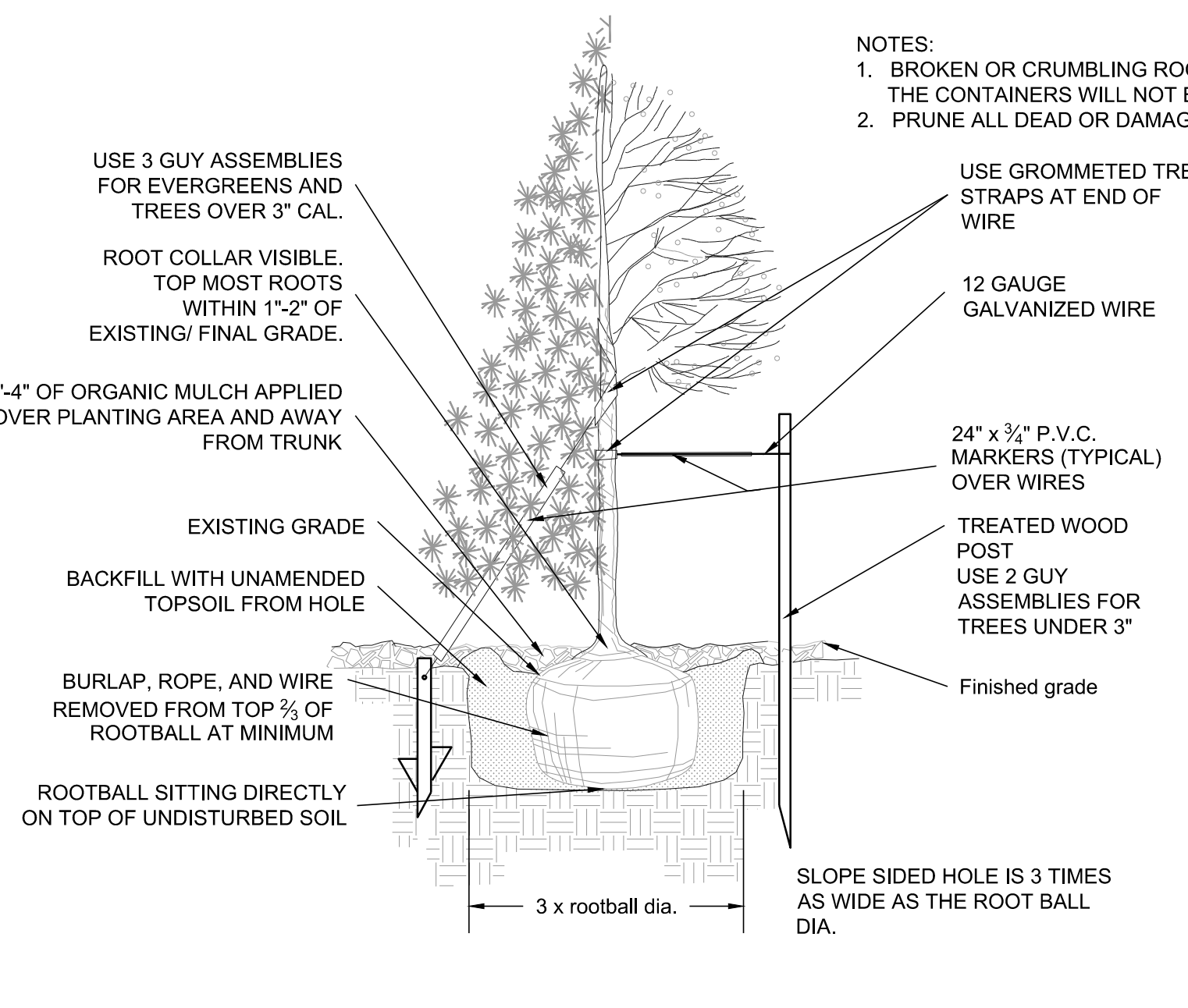
Sheet Name
LAYOUT, GRADING & MATERIAL ENLARGEMENTS

Sheet Number
L1.2

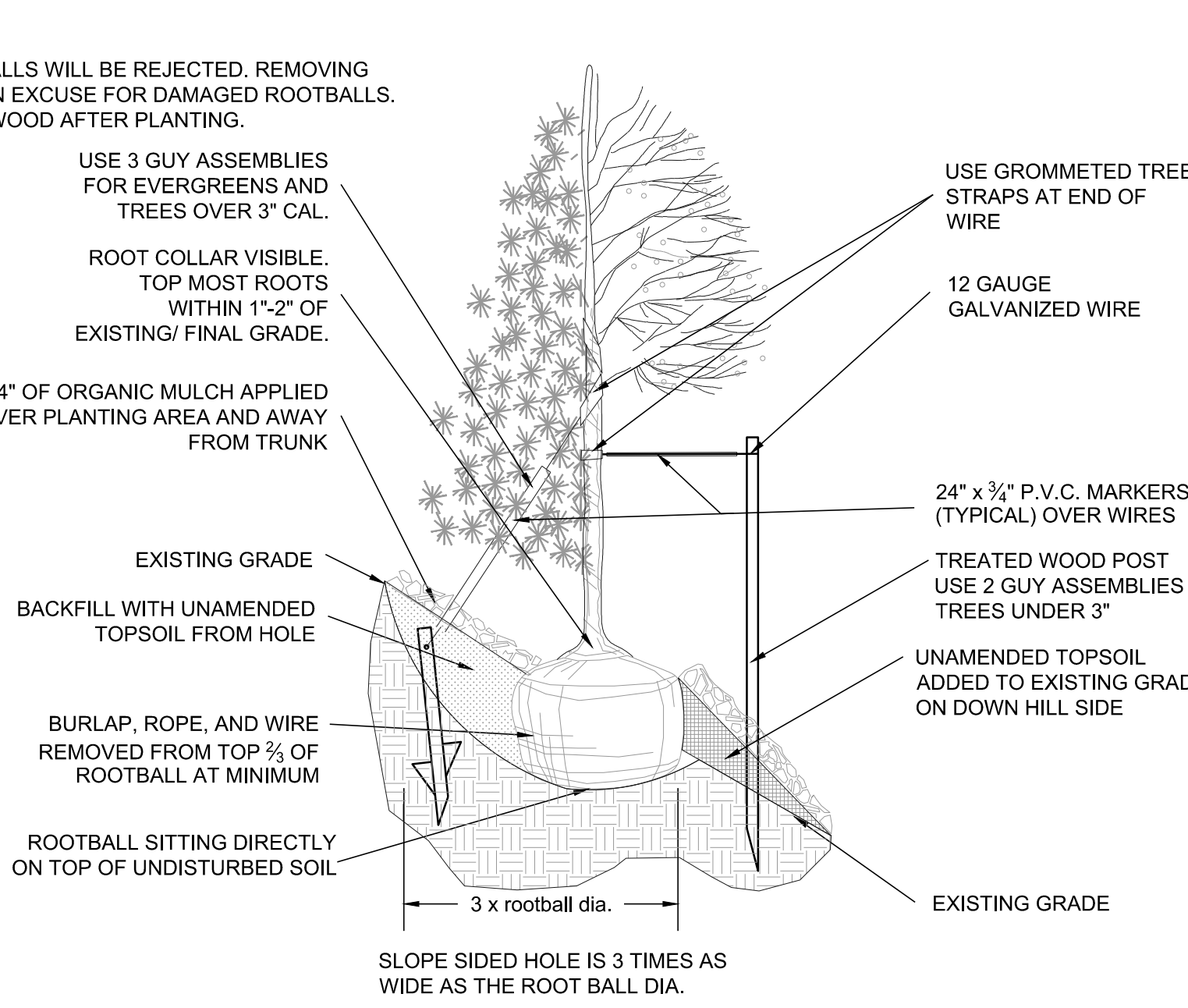
Y:\HSS\PROJECTS\LANDSCAPE ARCHITECTURE\CURRENT DWGS\HSS-LODSCP PLANS - FILING-16_CDS.DWG
 Saturday, June 23, 2018



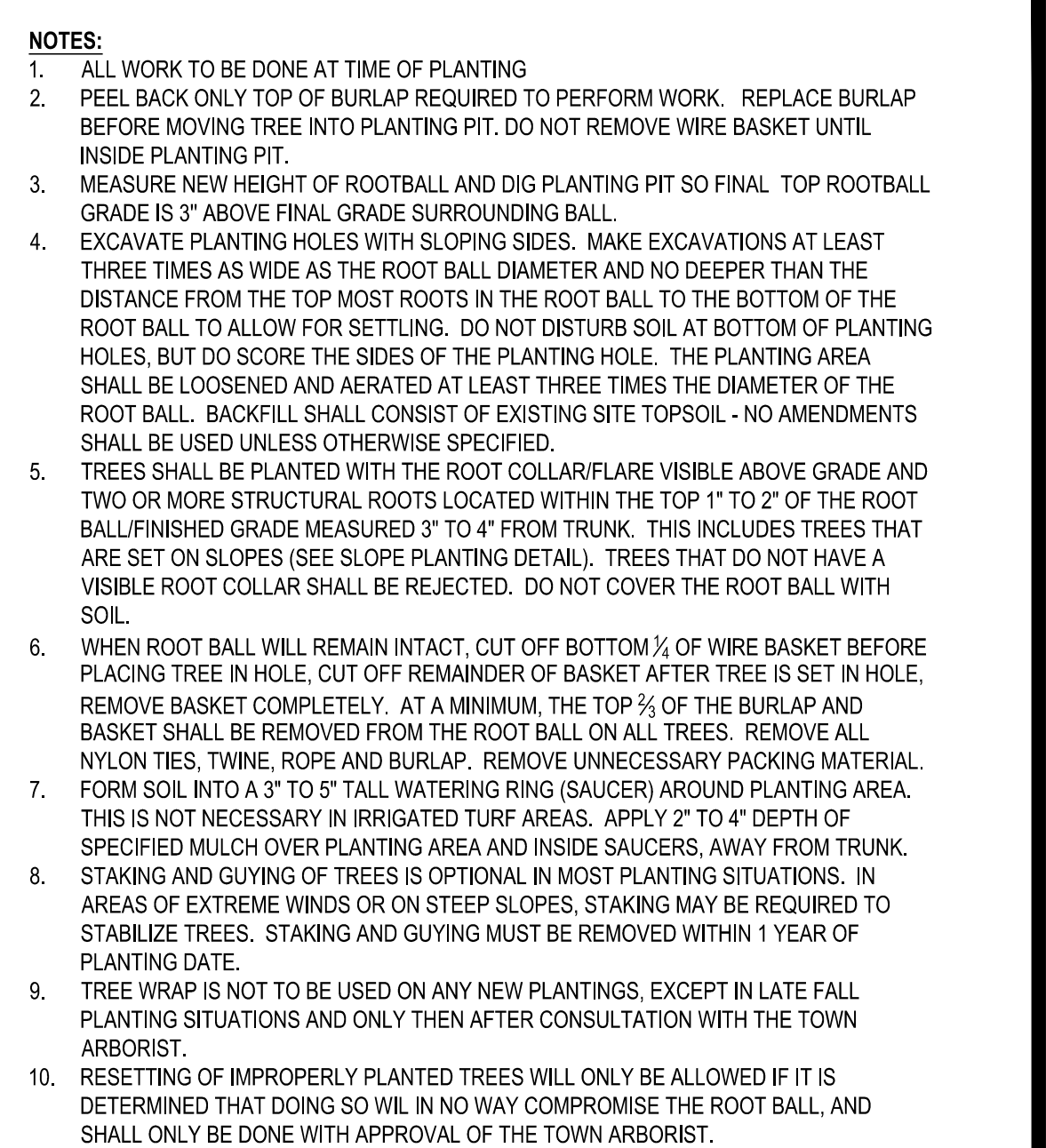
1 SHRUB PLANTING
NOT TO SCALE



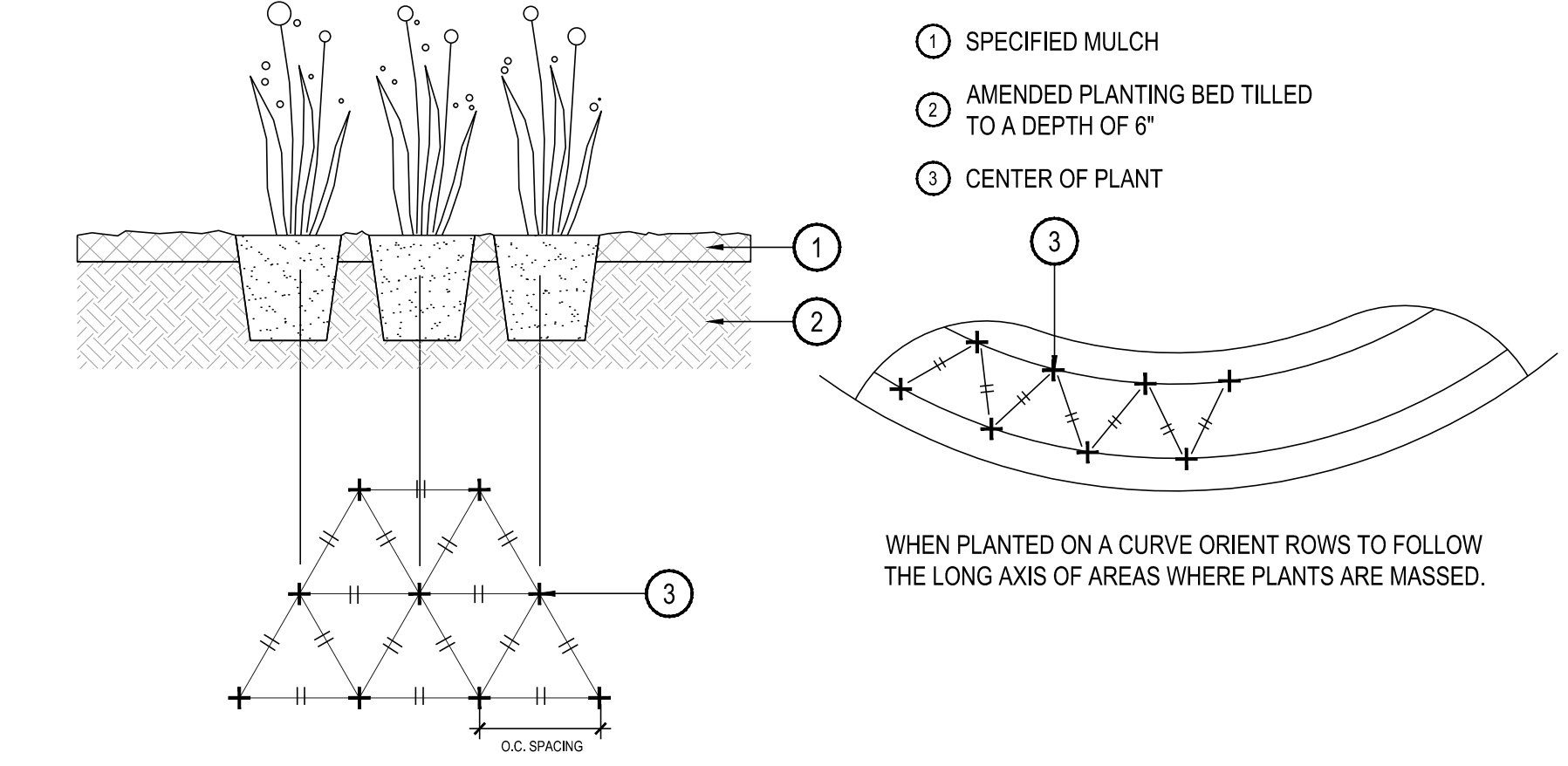
2 TREE PLANTING
NOT TO SCALE



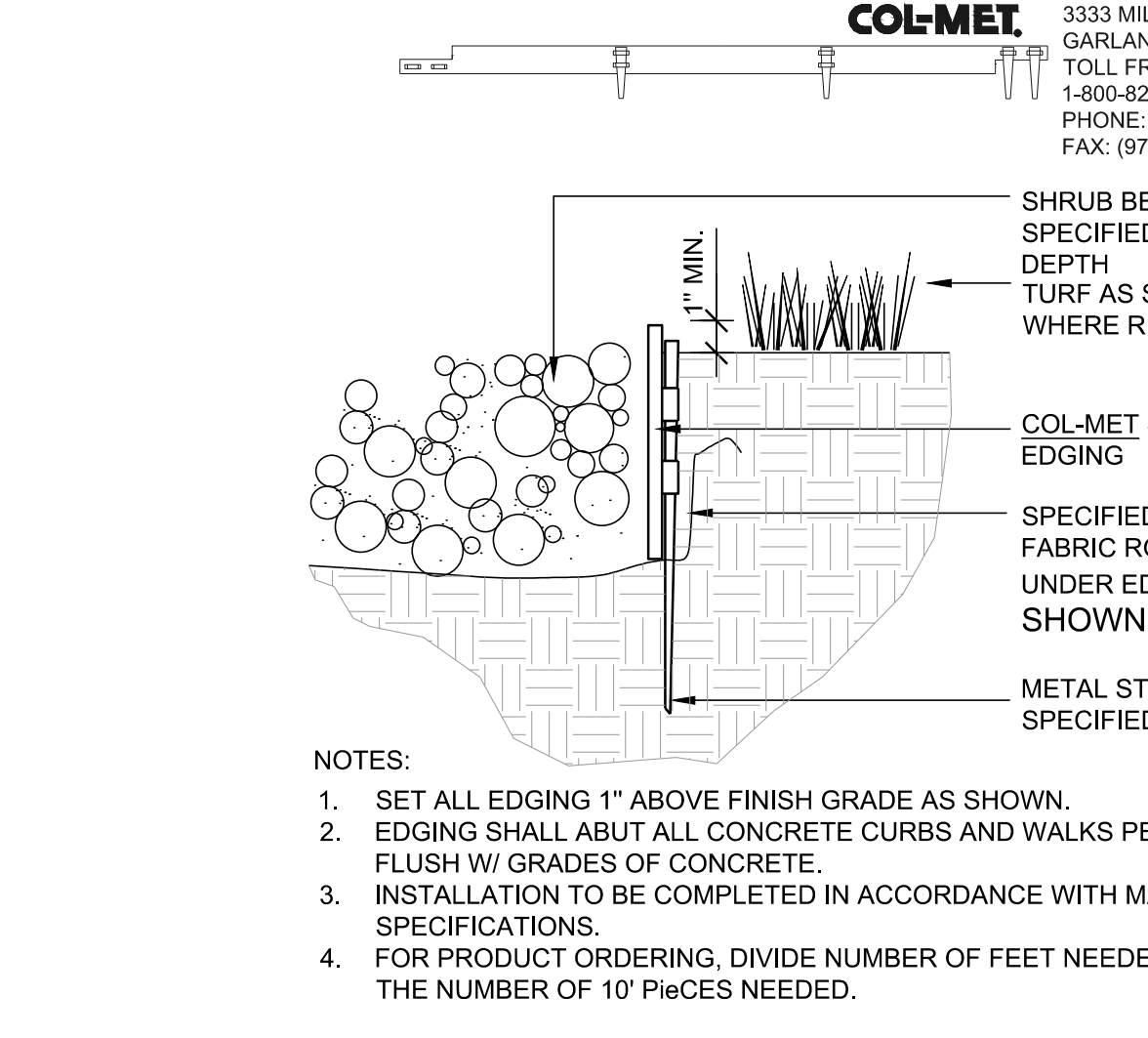
2 TREE PLANTING
NOT TO SCALE



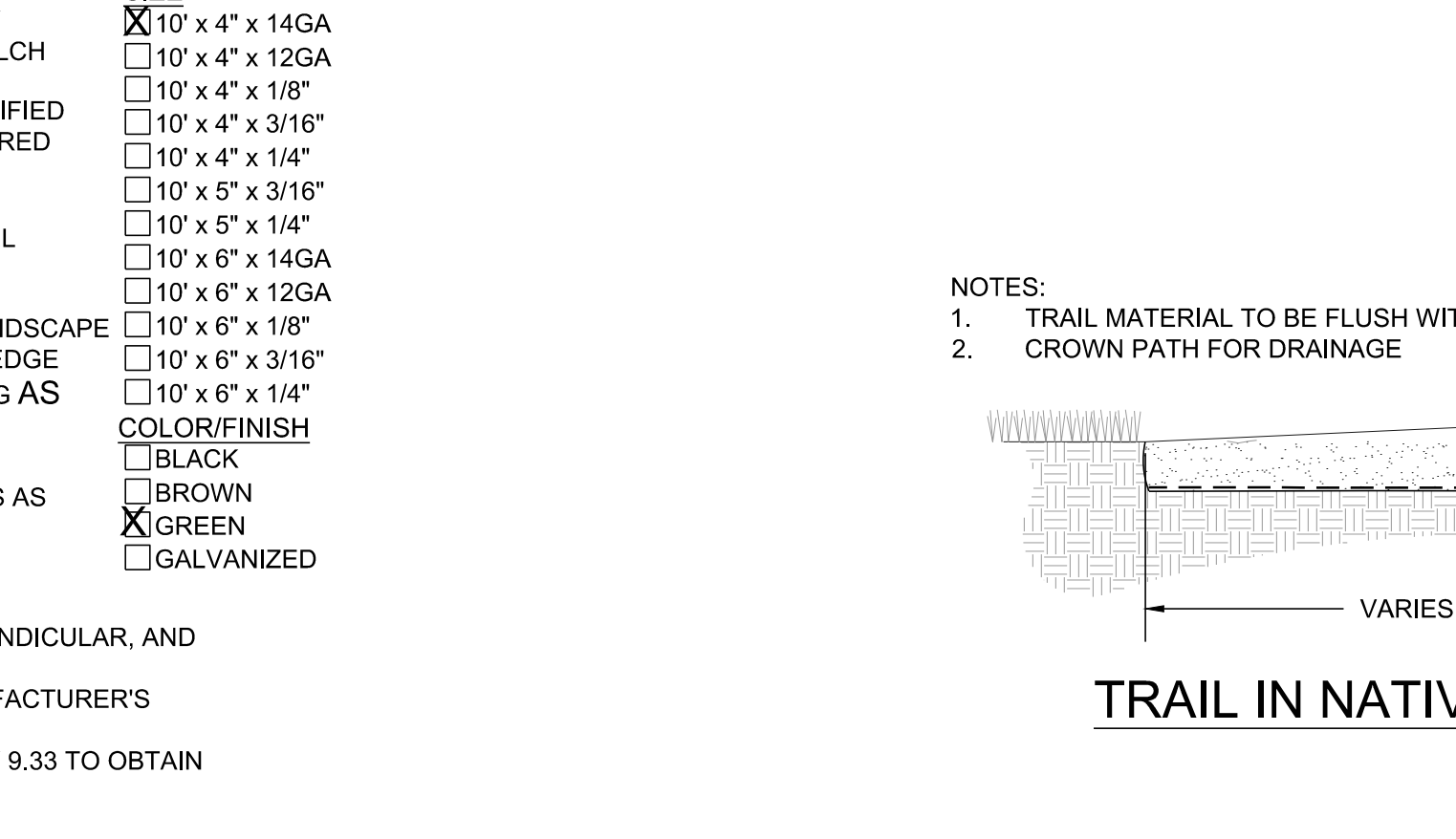
2 TREE PLANTING
NOT TO SCALE



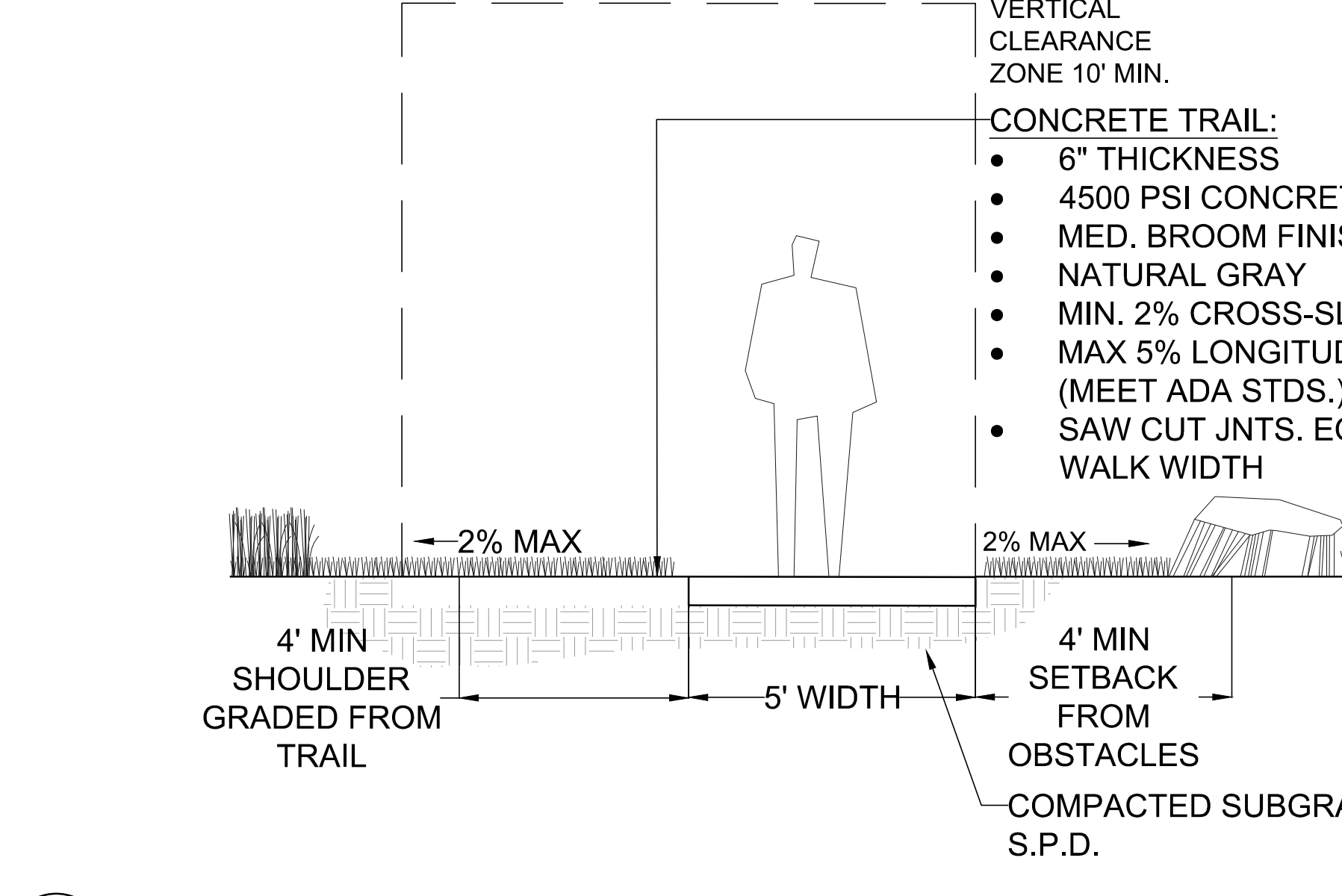
3 PERENNIAL OR GRASS PLANTING
NOT TO SCALE



4 STEEL EDGER
NOT TO SCALE



5 CRUSHER FINES WALK
NOT TO SCALE



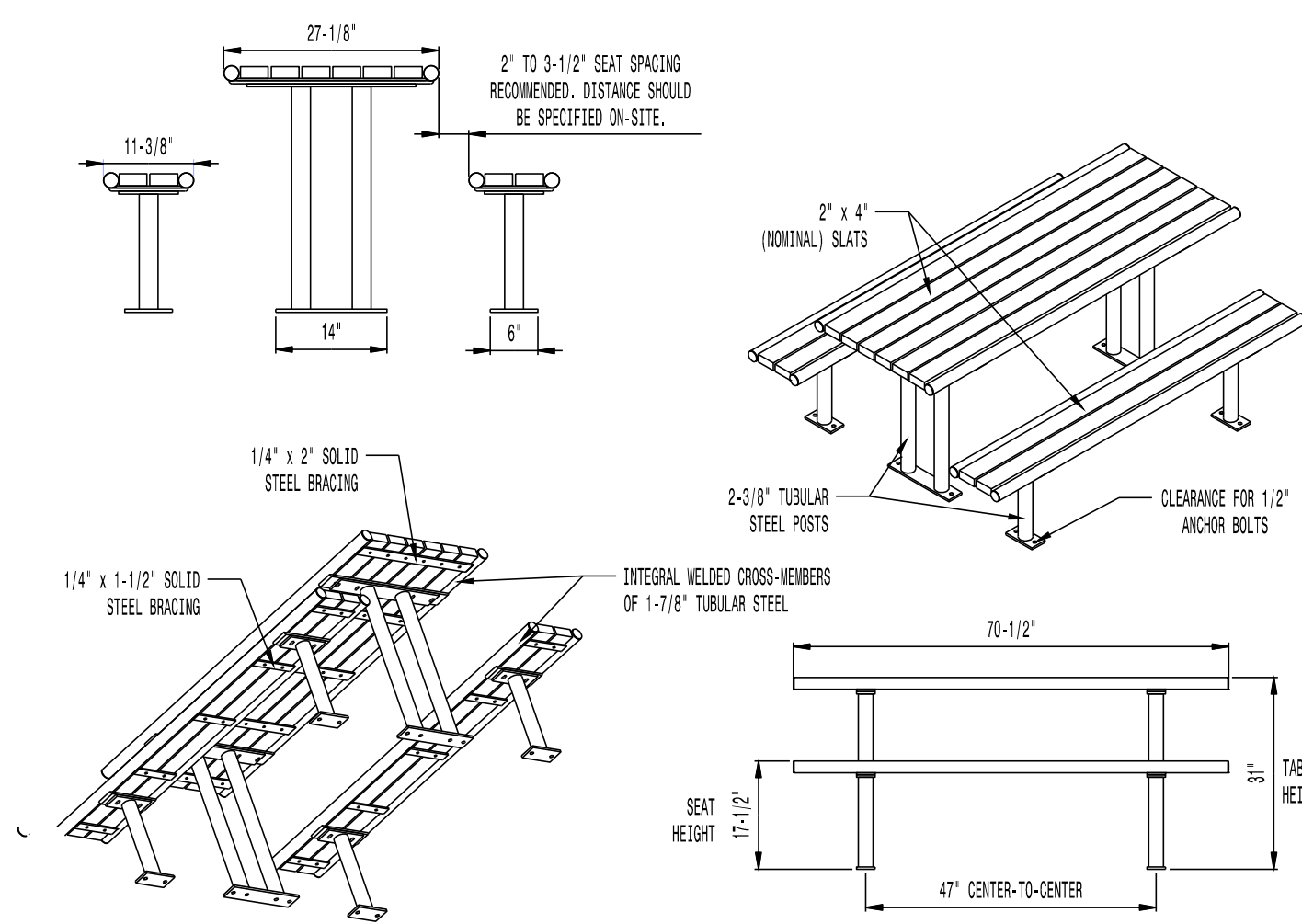
6 CONCRETE WALK
NOT TO SCALE

Y:\HESSE_RANCH\LANDSCAPE_ARCHITECTURE\CURRENT DWGS\HESSE-LDSCP PLANS - FILING-16_CDS.DWG
Saturday, June 23, 2018

Drawn by: BEM, GG, JWD
Checked by: PCS STAFF
Submittal Date: 06.20.2018
Date: 09.26.2018
Know what's below. Call before you dig. **811**

Sheet Name
SITE & LANDSCAPE DETAILS

Sheet Number
L2.0

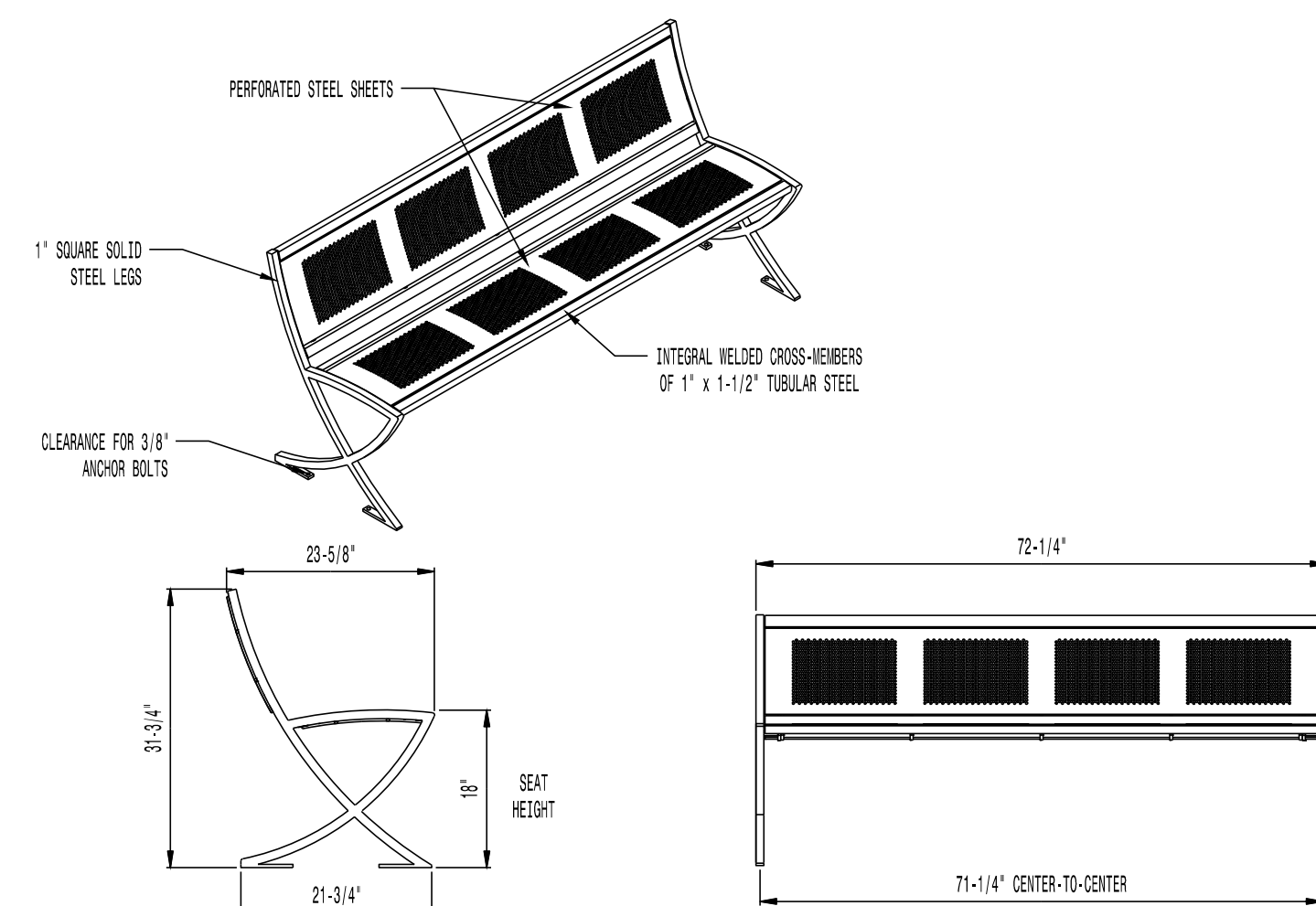


- AVAILABLE OPTIONS:**
- POWDER COATING**
10 STANDARD COLORS, 2 OPTIONAL METALLIC COLORS, CUSTOM COLORS (INCLUDING THE RAL RANGE)
- SLAT TYPES**
RECYCLED PLASTIC SLATS (NOT 2IN SYSTEM)
COLORS: GRAY, MAPLE, CHERRY, AND WALNUT
SEE THE STREET/STEPS SERIES* FOR ADDITIONAL SLAT OPTIONS
- NOTES:**
1. DRAWINGS NOT TO SCALE. DO NOT SCALE DRAWINGS.
2. ALL FABRICATED METAL COMPONENTS ARE STEEL SHOTBLASTED, ETCHED, PHOSPHATIZED, PREHEATED, AND ELECTROSTATICALLY POWDER-COATED WITH T.G.I.C. POLYESTER POWDER COATINGS. PRODUCTS ARE FULLY CLEANED AND PRETREATED, PREHEATED AND COATED WHILE HOT TO FILL CREVICES AND BUILD COATING FILM. COATED PARTS ARE THEN FULLY CURED TO COATING MANUFACTURER'S SPECIFICATIONS. THE THICKNESS OF THE RESULTING FINISH AVERAGES 8-10 MILS (200-250 MICRONS).
3. IT IS NOT RECOMMENDED TO LOCATE ANCHOR BOLTS UNTIL TABLES AND BENCHES ARE IN PLACE. THIS VICTOR STANLEY, INC. PRODUCT MUST BE PERMANENTLY AFFIXED TO THE GROUND. CONSULT YOUR LOCAL CODES FOR REGULATIONS.
4. ANCHOR BOLTS NOT PROVIDED BY VICTOR STANLEY, INC.
5. FOR HIGH SALT ABUSIVE CLIMATES, HOT-DIP GALVANIZING BEFORE POWDER COATING IS AVAILABLE. SEE WRITTEN SPECIFICATIONS FOR DETAILS.
6. ALL SPECIFICATIONS ARE SUBJECT TO CHANGE. CONTACT MANUFACTURER FOR DETAILS.
7. THIS PRODUCT IS SHIPPED PARTIALLY UNASSEMBLED.
- MOUNTING**
STANDARD SURFACE (AS SHOWN) AND IN-GROUND
AVAILABLE WITH ADA COMPLIANT LEG POSITIONING
(ADA COMPLIANT TABLE/BENCH CONFIGURATION: 6' TABLE WITH 6' BENCHES)
- LENGTHS**
STANDARD 6' LENGTH SHOWN
STANDARD 8'

MODEL: CM-56 SERIES (6' LENGTH)
MANUFACTURER: VICTOR STANLEY, INC.
AS SUPPLIED BY DOWNS & ASSOCIATES
CONTACT:
MELANIE POLANCO
P: 303-744-0399

1 PICNIC TABLE

NOT TO SCALE



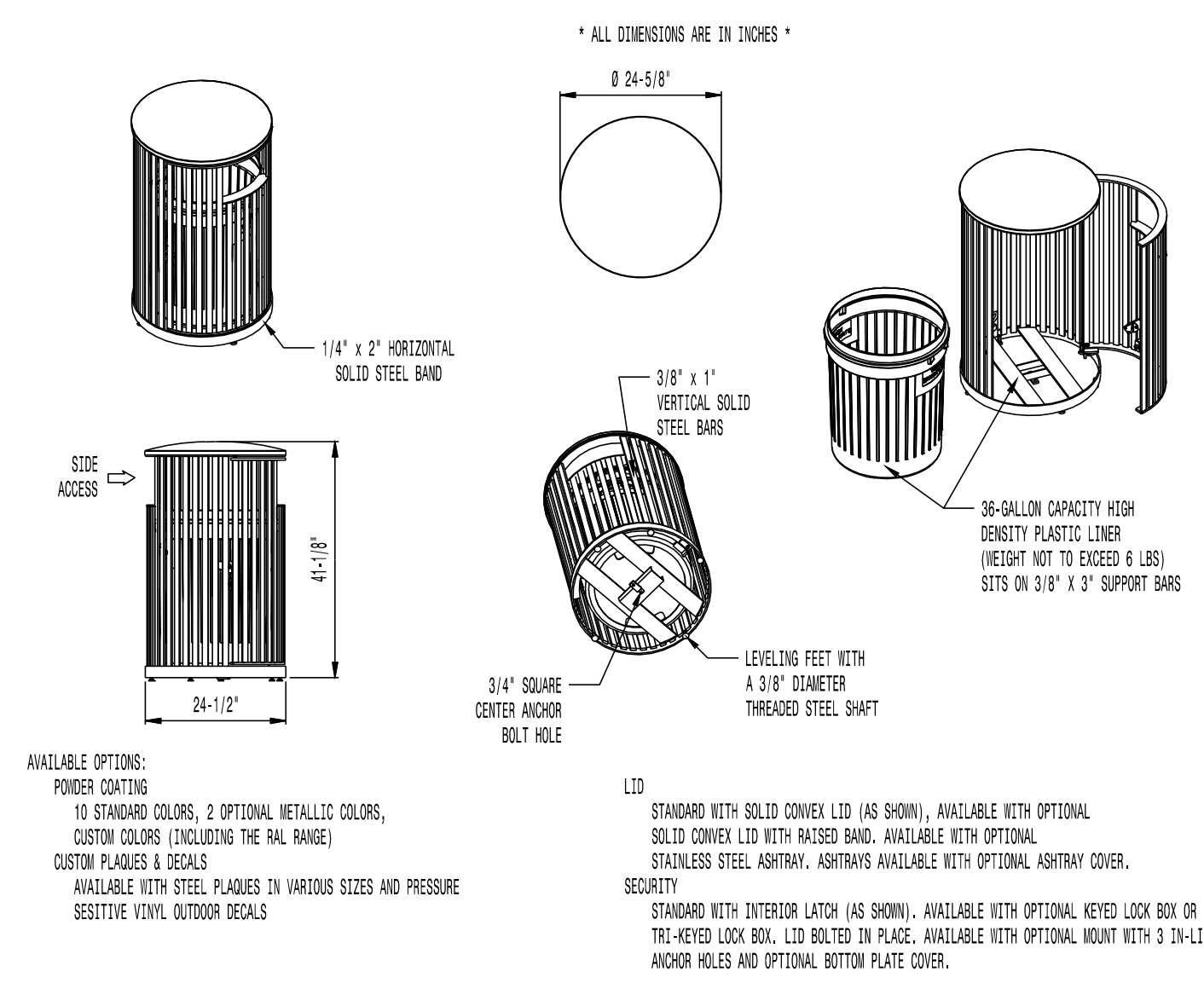
- AVAILABLE OPTIONS:**
- POWDER COATING**
10 STANDARD COLORS, 2 OPTIONAL METALLIC COLORS, CUSTOM COLORS (INCLUDING THE RAL RANGE)

- NOTES:**
1. DRAWINGS NOT TO SCALE. DO NOT SCALE DRAWINGS.
2. ALL FABRICATED METAL COMPONENTS ARE STEEL SHOTBLASTED, ETCHED, PHOSPHATIZED, PREHEATED, AND ELECTROSTATICALLY POWDER-COATED WITH T.G.I.C. POLYESTER POWDER COATINGS. PRODUCTS ARE FULLY CLEANED AND PRETREATED, PREHEATED AND COATED WHILE HOT TO FILL CREVICES AND BUILD COATING FILM. COATED PARTS ARE THEN FULLY CURED TO COATING MANUFACTURER'S SPECIFICATIONS. THE THICKNESS OF THE RESULTING FINISH AVERAGES 8-10 MILS (200-250 MICRONS).
3. IT IS NOT RECOMMENDED TO LOCATE ANCHOR BOLTS UNTIL BENCH IS IN PLACE. THIS VICTOR STANLEY, INC. PRODUCT MUST BE PERMANENTLY AFFIXED TO THE GROUND. CONSULT YOUR LOCAL CODES FOR REGULATIONS.
4. ANCHOR BOLTS NOT PROVIDED BY VICTOR STANLEY, INC.
5. FOR HIGH SALT ABUSIVE CLIMATES, HOT-DIP GALVANIZING BEFORE POWDER COATING IS AVAILABLE. HOT-DIP GALVANIZING IS PERFORMED FOR VICTOR STANLEY, INC. BY AN EXPERIENCED QUALIFIED FIRM TO WHICH PRODUCTS ARE SHIPPED FOR GALVANIZING. HOT-DIP GALVANIZING INCLUDES AN AGGRESSIVE PRE-TREATMENT AND IMMERSION IN A TANK OF CHARGED LIQUID ZINC AT OR AROUND 860°F (460°C). THE RESULTING SURFACE IS RESISTANT TO RUST BUT HAS SOME UNEVENNESS RESULTING FROM THE BONDING OF THE ZINC TO THE STEEL SURFACE. AS A RESULT, THE POWDER-COATING SURFACE FINISH OVER THAT GALVANIZED SURFACE MAY EXHIBIT BUMPS, UNEVENNESS, AND MAY NOT BE AS SMOOTH AS THE STANDARD FINISH; THIS UNEVEN AND INCONSISTENT FINISH IS NORMAL FOR GALVANIZING. CONTACT MANUFACTURER FOR DETAILS.
6. ALL SPECIFICATIONS ARE SUBJECT TO CHANGE. CONTACT MANUFACTURER FOR DETAILS.
7. THIS PRODUCT IS SHIPPED PARTIALLY UNASSEMBLED.

MODEL: LILY BENCH LIL-20NA-P (6' LENGTH)
MANUFACTURER: VICTOR STANLEY, INC.
AS SUPPLIED BY DOWNS & ASSOCIATES
CONTACT:
MELANIE POLANCO
P: 303-744-0399

2 BENCH W/ BACK

NOT TO SCALE



- AVAILABLE OPTIONS:**
- POWDER COATING**
10 STANDARD COLORS, 2 OPTIONAL METALLIC COLORS, CUSTOM COLORS (INCLUDING THE RAL RANGE)
CUSTOM PLATES & DECALS
AVAILABLE WITH STEEL PLATES IN VARIOUS SIZES AND PRESSURE SENSITIVE VINYL OUTDOOR DECALS
- LID**
STANDARD WITH SOLID CONVEX LID (AS SHOWN). AVAILABLE WITH OPTIONAL SOLID CONVEX LID WITH RAISED BAND. AVAILABLE WITH OPTIONAL STAINLESS STEEL ASHTRAY. ASHTRAYS AVAILABLE WITH OPTIONAL ASHTRAY COVER.
SECURITY
STANDARD WITH INTERIOR LATCH (AS SHOWN). AVAILABLE WITH OPTIONAL KEYS LOCK BOX OR THE KEYS LOCK BOX. LID BOLTED IN PLACE. AVAILABLE WITH OPTIONAL MOUNT WITH 3 1/4-INCH ANCHOR HOLES AND OPTIONAL BOTTOM PLATE COVER.

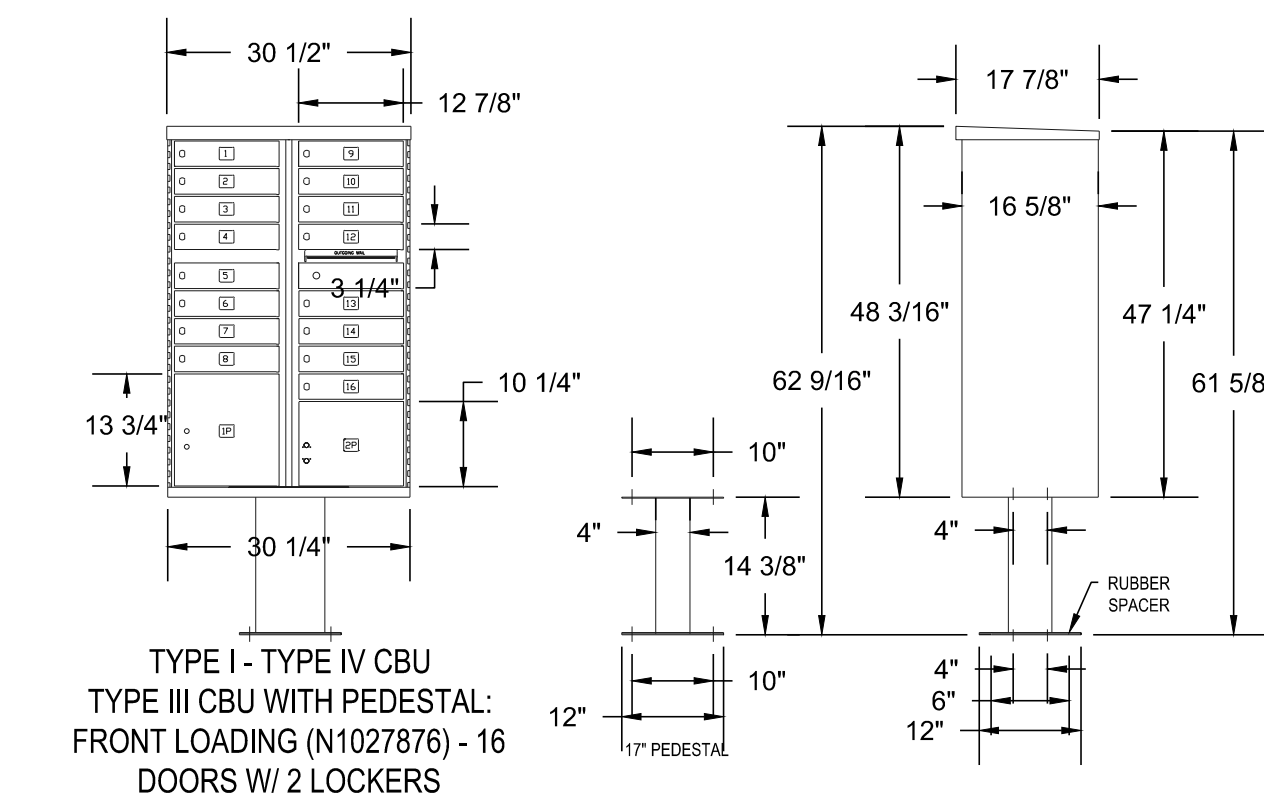
- NOTES:**
1. DRAWINGS NOT TO SCALE. DO NOT SCALE DRAWINGS.
2. ALL FABRICATED METAL COMPONENTS ARE STEEL SHOTBLASTED, ETCHED, PHOSPHATIZED, PREHEATED, AND ELECTROSTATICALLY POWDER-COATED WITH T.G.I.C. POLYESTER POWDER COATINGS. PRODUCTS ARE FULLY CLEANED AND PRETREATED, PREHEATED AND COATED WHILE HOT TO FILL CREVICES AND BUILD COATING FILM. COATED PARTS ARE THEN FULLY CURED TO COATING MANUFACTURER'S SPECIFICATIONS. THE THICKNESS OF THE RESULTING FINISH AVERAGES 8-10 MILS (200-250 MICRONS).
3. OIL IMPREGNATED BRONZE BOOTINGS AND STAINLESS STEEL PIVOT PINS FOR DOOR MOVEMENT, STANDARD 3/16" SOLID STEEL LATCH ASSEMBLY OR OPTIONAL PATENTED STAINLESS STEEL KEYS LOCK ASSEMBLY.
4. THIS VICTOR STANLEY, INC. PRODUCT MUST BE PERMANENTLY AFFIXED TO THE GROUND. CONSULT YOUR LOCAL CODES FOR REGULATIONS.
5. VICTOR STANLEY, INC., PLASTIC LINER LINERS ARE MOLDED ON TOOLING DESIGNED FOR AND OWNED BY VICTOR STANLEY, INC. THEY OFFER MAXIMUM CAPACITY AND STRENGTH WITH LIGHTWEIGHT CONSTRUCTION USING CRITICAL WELDED JOBS, INTEGRAL HANDHOLES, AND HIGH-STRENGTH MATERIALS. THIS MINIMIZES HANDLING DIFFICULTY AND FACILITATES EASY EMPTYING AND STORAGE WHILE APPROXIMATING LONG SERVICE LIFE.
6. ANCHOR BOLT NOT PROVIDED BY VICTOR STANLEY, INC.
7. FOR HIGH SALT ABUSIVE CLIMATES, HOT-DIP GALVANIZING BEFORE POWDER COATING IS AVAILABLE. HOT-DIP GALVANIZING IS PERFORMED FOR VICTOR STANLEY, INC. BY AN EXPERIENCED QUALIFIED FIRM TO WHICH PRODUCTS ARE SHIPPED FOR GALVANIZING. HOT-DIP GALVANIZING INCLUDES AN AGGRESSIVE PRE-TREATMENT AND IMMERSION IN A TANK OF CHARGED LIQUID ZINC AT OR AROUND 860°F (460°C). THE RESULTING SURFACE IS RESISTANT TO RUST BUT HAS SOME UNEVENNESS RESULTING FROM THE BONDING OF THE ZINC TO THE STEEL SURFACE. AS A RESULT, THE POWDER-COATING SURFACE FINISH OVER THAT GALVANIZED SURFACE MAY EXHIBIT BUMPS, UNEVENNESS, AND MAY NOT BE AS SMOOTH AS THE STANDARD FINISH; THIS UNEVEN AND INCONSISTENT FINISH IS NORMAL FOR GALVANIZING. CONTACT MANUFACTURER FOR DETAILS.
8. ALL SPECIFICATIONS ARE SUBJECT TO CHANGE. CONTACT MANUFACTURER FOR DETAILS.
9. THIS PRODUCT IS SHIPPED FULLY ASSEMBLED.

MODEL: STEELSITE SERIES TRASH CAN SD-36
STANDARD CONVEX RIVETED LID
MANUFACTURER: VICTOR STANLEY, INC.
AS SUPPLIED BY DOWNS & ASSOCIATES
CONTACT:
MELANIE POLANCO
P: 303-744-0399

3 TRASH RECEPTACLE

NOT TO SCALE

- Notes:**
1. Installation to be completed in accordance with specifications by factory authorized installers.
2. Contractor to verify concrete pad dimension & construction specifications with USPS before constructing
3. Contractor to make submittals for mailbox cluster units for review & approval, with pricing info, prior to ordering clusterboxes.



TYPE I - TYPE IV CBU
TYPE III CBU WITH PEDESTAL:
FRONT LOADING (N1027876) - 16
DOORS W/ 2 LOCKERS

POSTAL PRODUCTS UNLIMITED, INC
500 W OKLAHOMA AVE.
MILWAUKEE, WI 53207
TOLL FREE: 1-800-229-4500
PHONE: (414) 290-1500
FAX: (800) 570-0007
www.mailproducts.com



16 Box Unit
Qty: 3

Note:
Final Mailbox Locations, Sizes and Specifications to be Coordinated and Approved by the U.S. Post Master.

Outdoor Pedestal Mailbox
Units: 12 Box (F181570-12)
16 Box (F181570-16)
Weight: 12 Box = 138 lbs
16 Box = 161 lbs
Height: 62" Width: 28.5" Depth: 17.5"

Available from:
U.S. Mail Supply
1.800.571.0147
www.usmailsupply.com

4 MAILBOX CLUSTER

NOT TO SCALE

Prepared For
ESX MANAGEMENT
7353 SOUTH ALTON WAY
CENTENNIAL, CO 80112

Land Planning
people creating spaces

pcs group inc. www.pcsgroupco.com
P.O. Box 180 Independence Plaza
1007 16th Street, Denver, CO 80265
1.303.531.4905, 1.303.531.4908

Engineering
CVL
CONSULTANTS
10333 E. DRY CREEK RD. #240
ENGLEWOOD, CO 80112
720-482-9526

TRAILS AT CROWFOOT
FILING 16 LANDSCAPE PLANS
PARKER, COLORADO

Drawn by: BEM, GG, JWD
Checked by: PCS STAFF
Submittal Date: 06.20.2018
Date: 09.26.2018
Know what's below. Call before you dig.
811

Sheet Name
SITE & LANDSCAPE DETAILS

Sheet Number
L2.1

IRRIGATION SCHEDULE

SYMBOL	MANUFACTURER/MODEL/DESCRIPTION	PSI	SYMBOL	MANUFACTURER/MODEL/DESCRIPTION
	HUNTER PROS-06-PR530-CV WITH TORO NOZZLE & SERIES TURF SPRAY, 30 PSI REGULATED 6.0" POP-UP. WITH FACTORY INSTALLED DRAIN CHECK VALVE. CO-MOLDED WIPER SEAL WITH UV RESISTANT MATERIAL. UTILIZE TORO PRECISION SERIES SPRAY NOZZLES.	30		HUNTER PROS-06-PR530-CV WITH TORO NOZZLE & SERIES TURF SPRAY, 30 PSI REGULATED 6.0" POP-UP. WITH FACTORY INSTALLED DRAIN CHECK VALVE. CO-MOLDED WIPER SEAL WITH UV RESISTANT MATERIAL. UTILIZE TORO PRECISION SERIES SPRAY NOZZLES.
	HUNTER PROS-06-PR530-CV WITH TORO NOZZLE 1.2 SERIES TURF SPRAY, 30 PSI REGULATED 6.0" POP-UP. WITH FACTORY INSTALLED DRAIN CHECK VALVE. CO-MOLDED WIPER SEAL WITH UV RESISTANT MATERIAL. UTILIZE TORO PRECISION SERIES SPRAY NOZZLES.	30		HUNTER PROS-06-PR530-CV WITH TORO NOZZLE 1.5 SERIES TURF SPRAY, 30 PSI REGULATED 6.0" POP-UP. WITH FACTORY INSTALLED DRAIN CHECK VALVE. CO-MOLDED WIPER SEAL WITH UV RESISTANT MATERIAL. UTILIZE TORO PRECISION SERIES SPRAY NOZZLES.
	HUNTER PROS-06-PR530-CV WITH TORO NOZZLE 4X STRIP SPRAY TURF SPRAY, 30 PSI REGULATED 6.0" POP-UP. WITH FACTORY INSTALLED DRAIN CHECK VALVE. CO-MOLDED WIPER SEAL WITH UV RESISTANT MATERIAL. UTILIZE TORO PRECISION SERIES SPRAY NOZZLES.	30		HUNTER MP2000 PROS-06-PR540-CV TURF ROTATOR, 6" (1.5-2.4 CM) POP-UP WITH FACTORY INSTALLED CHECK VALVE, PRESSURE REGULATED TO 40 PSI (2.76 BAR), MP ROTATOR NOZZLE ON PR540 BODY. K=BLACK ADJ ARC 90-2 1/2, G=GREEN ADJ ARC 2 1/2-270, R=RED 3/60 ARC.

SYMBOL	MANUFACTURER/MODEL/DESCRIPTION	PSI	GPM	RADIUS
	HUNTER I-20-06-55 TURF ROTOR, 6.0" POP-UP. ADJUSTABLE AND FULL CIRCLE. STAINLESS STEEL RISER. DRAIN CHECK VALVE. STANDARD NOZZLE.	45	4.00	40'
	HUNTER I-20-06-55 TURF ROTOR, 6.0" POP-UP. ADJUSTABLE AND FULL CIRCLE. STAINLESS STEEL RISER. DRAIN CHECK VALVE. STANDARD NOZZLE.	45	6.00	43'

REFERENCE NOTES SCHEDULE

SYMBOL	DESCRIPTION
	THE IRRIGATION SYSTEM POINT-OF-CONNECTION (POC) SHALL BE DOWNSTREAM OF THE IRRIGATION WATER TAP AND METER (RE: CIVIL PLANS), AT THE APPROXIMATE LOCATION SHOWN. INSTALL BACKFLOW PREVENTION UNIT, MASTER VALVE ASSEMBLY, AND FLOW SENSOR AS INDICATED. VERIFY EXACT LOCATION OF POC WITH OWNER'S REPRESENTATIVE. VERIFY PRESSURE AND FLOW ON SITE PRIOR TO CONSTRUCTION.
	PEDESTAL MOUNT THE IRRIGATION CONTROLLER AT THE APPROXIMATE LOCATION SHOWN. COORDINATE ELECTRICAL POWER TO THE CONTROLLER WITH THE OWNER'S REPRESENTATIVE. CARE SHOULD BE TAKEN TO INSTALL THE IRRIGATION CONTROLLER IN A LOCATION THAT IS ACCESSIBLE FOR MAINTENANCE, AND SCREENED FROM VIEW EITHER BEHIND ENTRY WALLS, NEXT TO BUILDINGS, OR BEHIND PLANT MATERIAL. FINAL LOCATION TO BE APPROVED BY OWNER'S REPRESENTATIVE. INSTALL PER NATIONAL ELECTRIC CODE (NEC).
	MAINLINE, SPRINKLER LATERAL, AND/OR DRIP LATERAL SHOWN SLEEVED TOGETHER IS FOR CLARITY ONLY. CONTRACTOR SHALL INSTALL MAINLINE, CONTROL WIRES, AND LATERAL LINES IN SEPARATE SLEEVES.
	IRRIGATION LATERAL LINE: PVC CLASS 200 SDR 21 PVC CLASS 200 IRRIGATION PIPE. ONLY LATERAL TRANSITION PIPE SIZES 1 1/4" AND ABOVE ARE INDICATED ON THE PLAN, WITH ALL OTHERS BEING 1" IN SIZE.
	DRIP IRRIGATION LATERAL LINE TO EMITTERS: UV RADIATION RESISTANT POLYETHYLENE PIPE, 3/4-INCH UNLESS OTHERWISE SPECIFIED.
	DRIP IRRIGATION LATERAL LINE TO EMITTERS IN NATIVE SEED, 3/4-INCH UV RADIATION RESISTANT POLYETHYLENE PIPE TO NETAFIM INLINE DRIP TUBING TREE RINGS (RE: DETAILS)
	IRRIGATION MAINLINE: PVC CLASS 200 SDR 21 2.5-INCH UNLESS OTHERWISE NOTED.
	PIPE SLEEVE: PVC SCHEDULE 40 INSTALL AS SHOWN ON DESIGN OR TWICE THE SIZE OF THE PIPE OR WIRE RUNNING THRU IT. NO TWO PIPES OR WIRE BUNDLES SHALL SHARE THE SAME SLEEVE.
	Valve Callout
	Valve Number
	Valve Flow
	Valve Size

EMITTER SCHEDULE

PLANT TYPE	EMITTER TYPE	GPH/OUTLET	NO. OF EMITTERS	TOTAL FLOW
GROUND COVER	SINGLE OUTLET	1 GPH	1	1 GPH
PERENNIALS	SINGLE OUTLET	1 GPH	1	1 GPH
1 GAL. SHRUB	SINGLE OUTLET	1 GPH	1	1 GPH
5 GAL. SHRUB	SINGLE OUTLET	1 GPH	2	2 GPH
TREE IN SHRUB BED	SINGLE OUTLET	1 GPH	4-8	4-8 GPH
TREE IN NATIVE SEED	INLINE DRIP*	0.6 GPH	N/A	N/A

NOTES:
 1. MULTIPLE OUTLET EMITTERS CAN BE UTILIZED IN DENSELY PLANTED AREAS AND FOR TREES IN SHRUB BEDS.
 2. REFER TO LEGEND AND DETAILS FOR INLINE DRIP TOTALS.

INSTALLATION GENERAL NOTES

- DESIGN ASSUMES A MINIMUM DYNAMIC PRESSURE FOR THE IRRIGATION SYSTEM (PER CITY OR ENGINEER) OF UP TO 90 PSI, AT A MAXIMUM FLOW OF XX GPM AT THE X-INCH POINT-OF-CONNECTION (POC). VERIFY PRESSURE AND FLOW ON SITE PRIOR TO CONSTRUCTION. CONTACT GENERAL CONTRACTOR OR OWNER'S REPRESENTATIVE IMMEDIATELY IF FLOW OR PRESSURE ARE LOWER THAN LISTED ABOVE.
- CONTRACTOR SHALL BECOME FAMILIAR WITH THE SPECIFICATIONS AND INSTALLATION DETAILS FOR THIS AND RELATED WORK PRIOR TO CONSTRUCTION. FOR CLARIFICATION, CONTACT IRRIGATION DESIGNER PRIOR TO CONSTRUCTION.
- UPON FINAL ACCEPTANCE, CONTRACTOR SHALL TURN OVER REQUIRED ADJUSTMENT KEYS INCLUDING BUT NOT LIMITED TO CONTROLLER ENCLOSURE AND BACKFLOW ENCLOSURE KEY, LOCKING VALVE BOX KEYS, QUICK COUPLER KEYS, GATE VALVE KEY, SPRINKLER HEAD AND NOZZLE ADJUSTMENT KEYS.
- UPON FINAL ACCEPTANCE, CONTRACTOR SHALL TURN OVER SPARE PARTS PERTAINING TO INSTALLED SYSTEM: BACKFLOW WINTERIZATION INSERT, TWO OF EVERY HEAD AND NOZZLE (ROTOR NOZZLE TREE INCLUDED), ONE RCV DIAPHRAGM, ETC.
- COORDINATE UTILITY LOCATES OF UNDERGROUND UTILITIES PRIOR TO CONSTRUCTION ("811 CALL BEFORE YOU DIG").
- IF DISCREPANCIES ARE NOTED IN THE FIELD BETWEEN SITE CONDITIONS AND PROVIDED DESIGNS, CONTRACTOR SHALL NOTIFY OWNER'S REPRESENTATIVE OR GENERAL CONTRACTOR IMMEDIATELY. DO NOT PROCEED WITH THE INSTALLATION OF THE IRRIGATION SYSTEM IF SUCH DISCREPANCIES IN THE FIELD AFFECT THE PROVIDED DESIGN, DETAILS, OR SPECIFICATIONS.
- ALL IRRIGATION COMPONENTS (MAINLINE, WIRES, LATERAL LINES, ETC.) SHALL BE INSTALLED IN LANDSCAPED AREAS WHENEVER POSSIBLE, EVEN THOUGH SAID IRRIGATION COMPONENTS MAY BE SHOWN OUTSIDE PLANTING AREAS FOR CLARITY.
- AVOID CONFLICTS BETWEEN THE IRRIGATION SYSTEM, PLANTING MATERIALS, AND ARCHITECTURAL FEATURES WHENEVER POSSIBLE. COORDINATE POTENTIAL RELOCATION OF BOULDERS AND TREES IN TURF AREAS WITH LANDSCAPE ARCHITECT PRIOR TO SPRINKLER LAYOUT. IF LANDSCAPE MATERIAL CANNOT BE RELOCATED, ADDITIONAL SPRINKLERS MAY BE REQUIRED.
- CROSS FITTINGS ARE NOT ALLOWED, ONLY STANDARD TEES AND ELBOWS.
- CONTRACTOR SHALL INSTALL NOZZLES PER PLAN, UNLESS IRRIGATED AREA CHANGED IN SIZE OR PLANT MATERIAL TYPE CHANGES. IF NOZZLE CHANGES ARE REQUIRED AND ARE SIGNIFICANT IN SIZE, CONTRACTOR SHALL CONTACT IRRIGATION DESIGNER FOR APPROVAL.
- CONTRACTOR SHALL FIELD LOCATE ANY EXISTING SLEEVES ON SITE

PRIOR TO CONSTRUCTION WITH THE AID OF THE GENERAL CONTRACTOR, MISSING SLEEVES SHALL BE REPORTED IMMEDIATELY. NEW SLEEVES SHOWN ON PLANS ARE REQUIRED FOR BOTH PIPING AND ELECTRICAL WIRING AT EACH HARDSCAPE CROSSING. COORDINATE INSTALLATION OF SLEEVING WITH OTHER TRADES. ANY PIPE OR WIRE WHICH PASSES BENEATH EXISTING HARDSCAPE WHERE SLEEVING WAS NOT INSTALLED WILL REQUIRE HORIZONTAL BORING BY THE IRRIGATION CONTRACTOR.

INSTALL ALL ELECTRICAL POWER TO THE IRRIGATION CONTROL SYSTEM IN ACCORDANCE WITH THE NATIONAL ELECTRIC CODE AND ALL APPLICABLE LOCAL ELECTRIC UTILITY CODES.

THE FOLLOWING SHOULD BE NOTED REGARDING PIPE SIZING: IF A SECTION OF UNSIZED PIPE IS LOCATED BETWEEN THE IDENTICALLY SIZED SECTIONS, THE UNSIZED PIPE IS THE SAME NOMINAL SIZE AS THE TWO SIZED SECTIONS. THE UNSIZED PIPE SHOULD NOT BE CONFUSED WITH THE DEFAULT PIPE SIZE NOTED IN THE LEGEND.

MAINLINE PIPE SIZES MAY VARY THROUGHOUT PROJECT. EACH MAINLINE LEG IS SIZED TO ACCOMMODATE LARGEST VALVE ON THAT LEG. STATED SIZE IN LEGEND MAY NOT BE THE LARGEST SIZE ON PLANS.

INSTALL THREE (3) #14 AWG CONTROL WIRES FROM CONTROLLER LOCATION TO EACH DEAD-END OF MAINLINE FOR USE AS SPARES IN CASE OF CONTROL WIRE FAILURE. COIL 3 FEET OF WIRE IN VALVE BOX.

TREES IN TURF ARE NOT IRRIGATED BY DRIP SYSTEM. DRIP LATERAL ROUTED NEAR TREES IN TURF ARE NOT TO RECEIVE DRIP IRRIGATION. TREES IN NATIVE SEEDED AREAS ARE IRRIGATED ON DRIP SYSTEM.

VALVES FOR NATIVE SEEDED AREAS SHALL BE ON A SEPARATE PROGRAM.

NATIVE SEEDED AREAS NOT IRRIGATED WILL BE TEMPORARILY IRRIGATED IN THE FIELD.

NO IRRIGATION EQUIPMENT, INCLUDING BUT NOT LIMITED TO, MAINLINE, VALVES, AND SPRINKLERS, SHALL BE INSTALLED WITHIN 3' OF NEW BUILDING FOUNDATION.

Landscape/Irrigation Worksheet

Project Name: TRAILS AT CROWFOOT-FILING #16

Landscape/Irrigation Tap address (physical location of tap) 17595-1/2 BIRDS FOOT TRAIL

Landscape Area	High Water TURF (6,000sf = 1 SFE)	Low Water Native Grass and Spray Shrubs & Perennials (10,000sf = 1 SFE)	Drip Irrigated area (20,000sf = 1 SFE)	Non-Irrigated area (calculated) Areas	Sub-Total of PWS D one SFE per 6000	SFE Requirement (Sub-Total Calculation divided by 6000 = requirement)
Area #1	_____sf x 1 = _____	54,293 sf x .6 = 32,576	1,616 sf x .3 = 485	0 _____sf x 0 = 0	33,061 sf	6,000
						5.51 SFE's

Worksheet Completed by: MICHELLE PETERSON

Company: MPI DESIGNS

Address: PO BOX 345, WINDSOR, CO

Phone #: 970-402-3047

Owner/Developer: EX5 MANAGEMENT

Attn: MATT JENKE

Billing Address: 7353 SOUTH ALTON WAY, CENTENNIAL

Phone #: N/A

ET Controller (with Rain Sensor)

Manufacturer	WEATHERMATIC
Model number	SMARTLINK SL4836

Tap Size Requirements:

0 - 1 SFE's requires a 3/4-inch tap

1.1 - 2.0 SFE's requires a 1-inch tap

2.1 - 4.0 SFE's requires a 1 1/2-inch tap

4.1 - 7.0 SFE's requires a 2-inch tap

7.1 - 16.0 SFE's requires a 3-inch tap

C:\PROJ\PROJ\PROJ\MPI\DESIGN\CLIENT FILES\EX5 MANAGEMENT\TRAILS AT CROWFOOT MULTI-USE DESIGN FILES\IR-TRAILS.MXD FILE:IR-TRAILS.MXD, June 19, 2018

Prepared For
 EX5 MANAGEMENT
 7353 SOUTH ALTON WAY
 CENTENNIAL, CO 80112

Irrigation Design

 P.O. BOX 345
 Windsor, CO 80550
 970.402.3047
 Michelle@MPIDesignsllc.com

Engineering

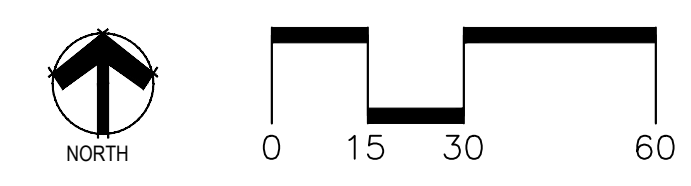
 10333 E. DRY CREEK RD. #240
 ENGLEWOOD, CO 80112
 720-482-9526

TRAILS AT CROWFOOT FILING 16
 PRELIMINARY IRRIGATION PLANS
 PARKER, COLORADO

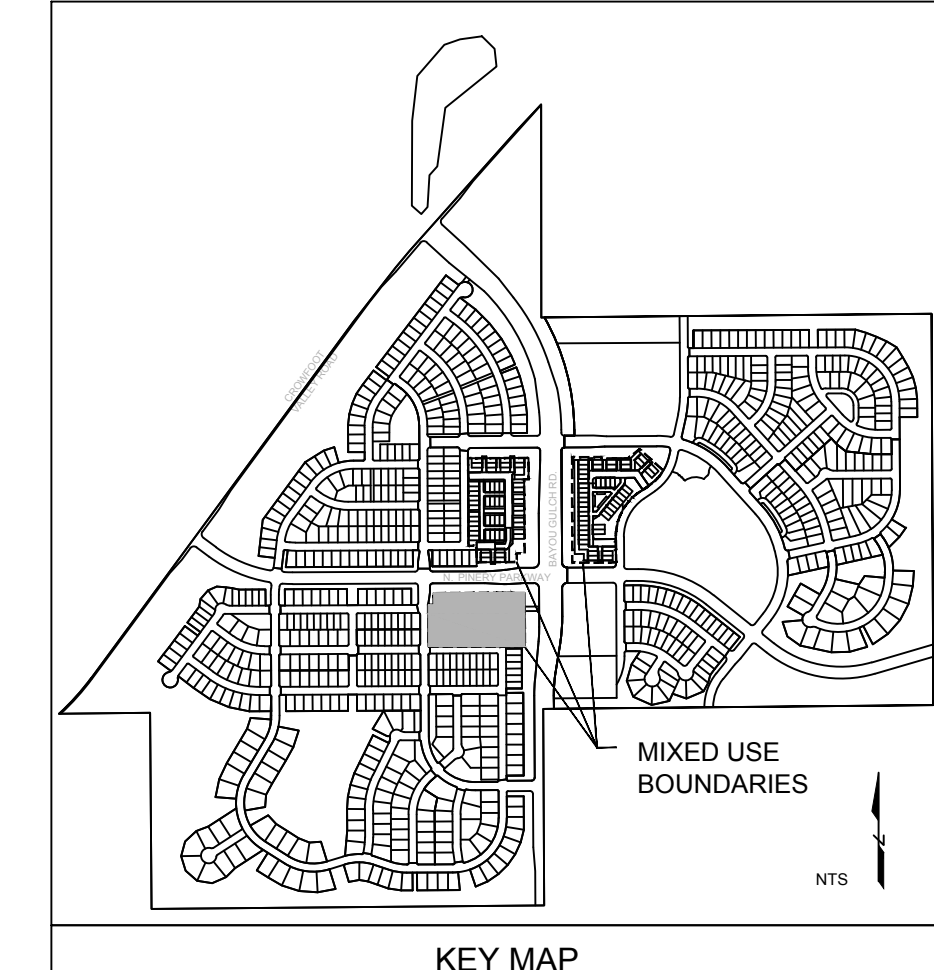
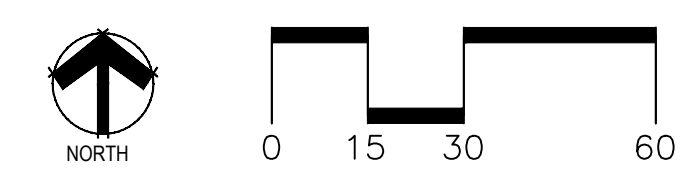
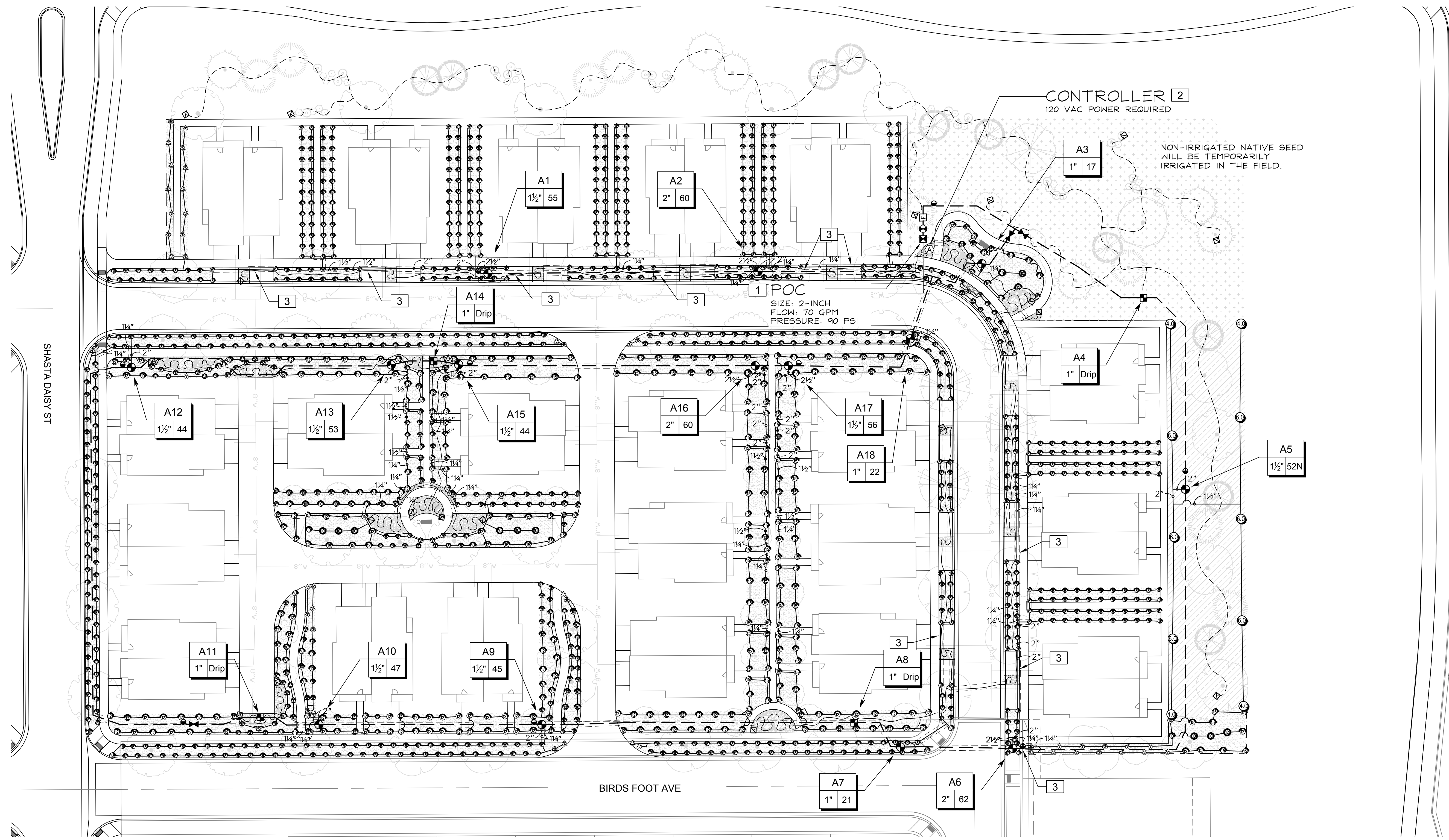
Drawn by: DGP / MLP
 Checked by: MLP
 Submittal Date: 06.15.18
 Date: 09.26.18
 Call before you dig.

Sheet Name
 IRRIGATION LEGEND AND NOTES

Sheet Number
 IR1.0



C:\PROGRA~1\MPID\DESIGNS\CLIENT FILES\EXX MANAGEMENT\TRAILS AT CROWFOOT\MULTI-USE\DESIGN FILES\IR-TRAILS.MF.FIG
 T:\MID\6 June 19, 2018



Prepared For
 EXX MANAGEMENT
 7353 SOUTH ALTON WAY
 CENTENNIAL, CO 80112

Irrigation Design
 MPI Designs
 P.O. BOX 345
 Windsor, CO 80550
 970.402.3047
 Michelle@MPIDesignsllc.com

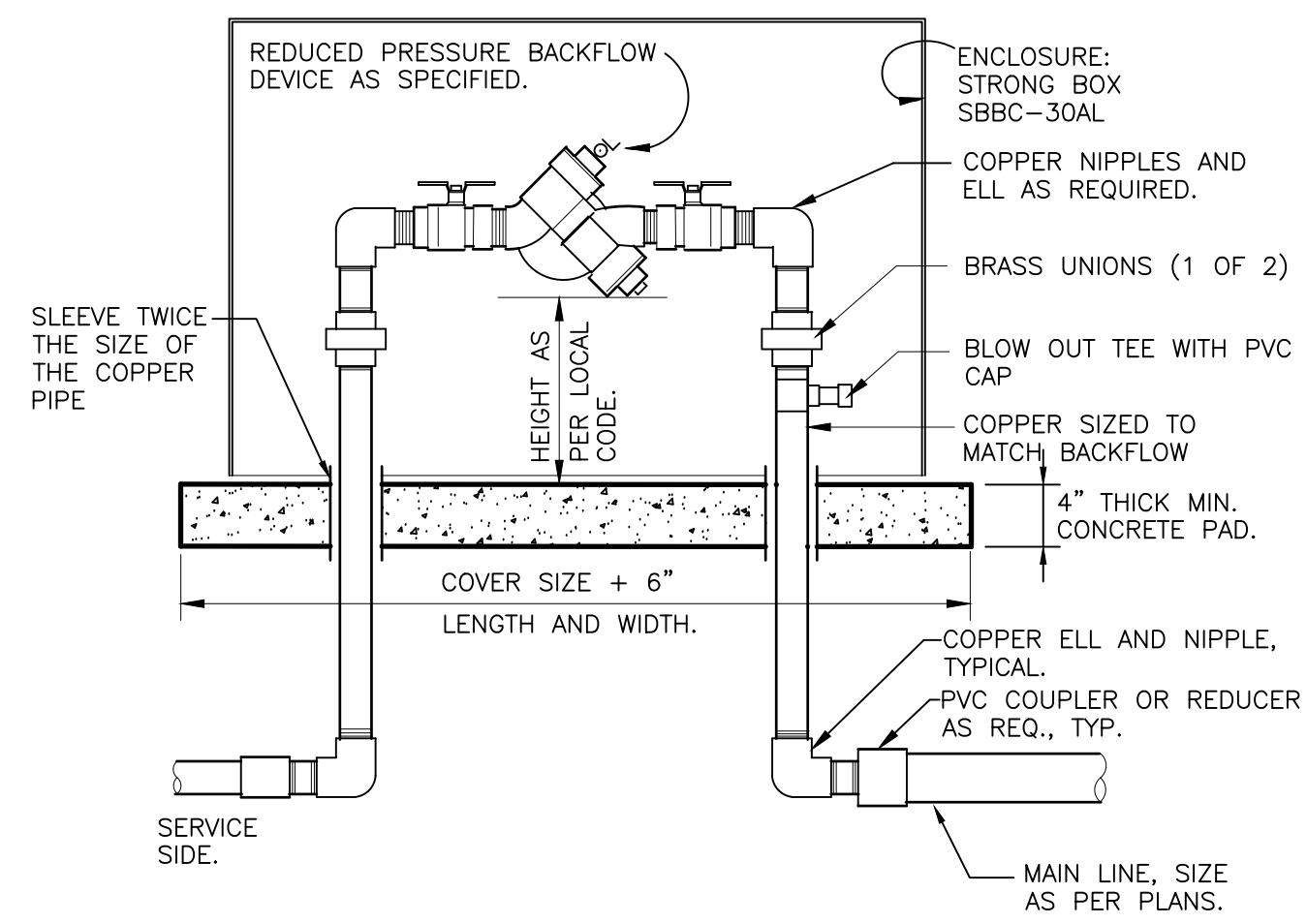
Engineering
 CVL CONSULTANTS
 10333 E. DRY CREEK RD. #240
 ENGLEWOOD, CO 80112
 720-482-9526

TRAILS AT CROWFOOT FILING 16
 PRELIMINARY IRRIGATION PLANS
 PARKER, COLORADO

Drawn by: DGP / MLP
 Checked by: MLP
 Submittal Date: 06.15.18
 Date: 09.26.18
 Know what's below. Call before you dig.

Sheet Name
 IRRIGATION PLAN

Sheet Number
IR1.1

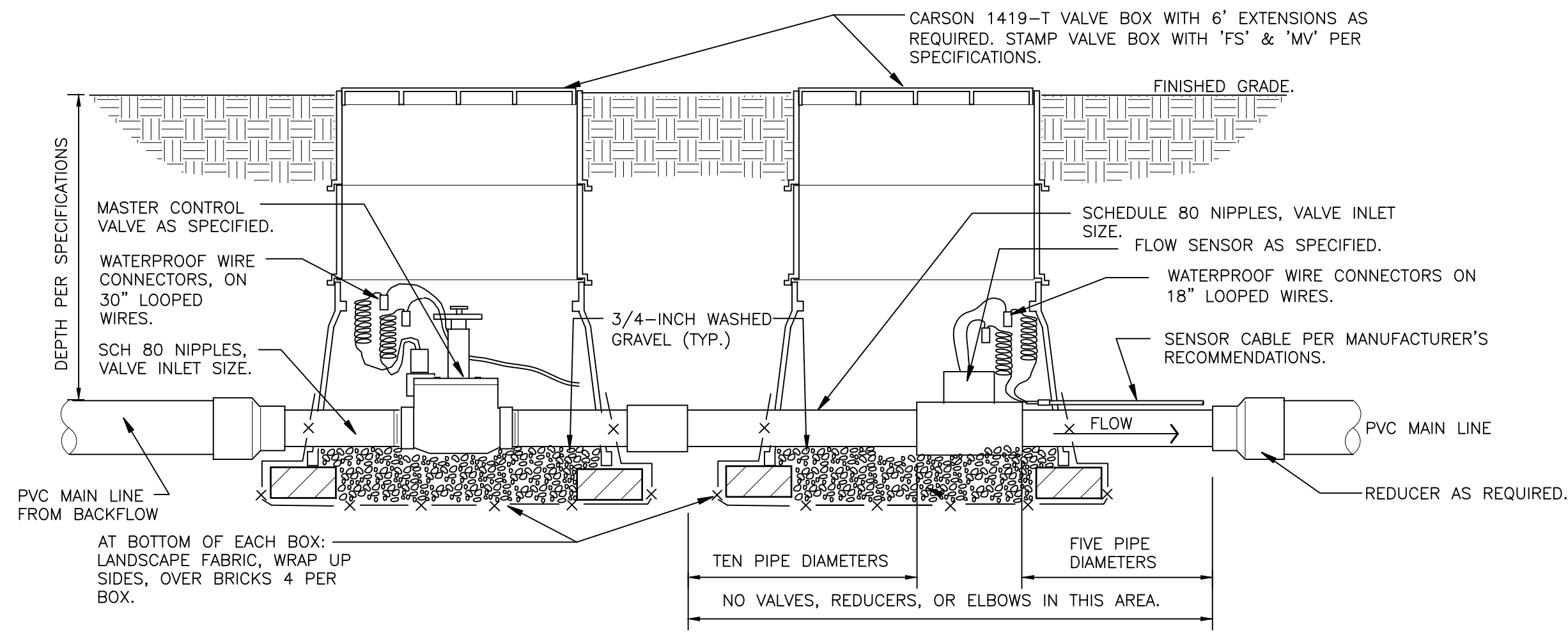


- NOTES:
1. INSTALL BACKFLOW DEVICE IN ACCORDANCE WITH ALL STATE AND LOCAL CODE REQUIREMENTS.
 2. SLOPE TOP SURFACE OF PAD AT 0.5% WITH BROOM FINISH. MAKE PIPE SLEEVES WITH 1-1/2 INCH LARGER DIAMETER PIPE THAN PENETRATING PIPE SIZE.
 3. ALL HINGED CONNECTION LOCATIONS AND HARDWARE TO BE TAMPER PROOF.
 4. ALL WELD JOINTS SHALL BE CONTINUOUS AND GROUND SMOOTH.

RP BACKFLOW W/ ENCLOSURE

1" = 1'-0"

328409.46-03

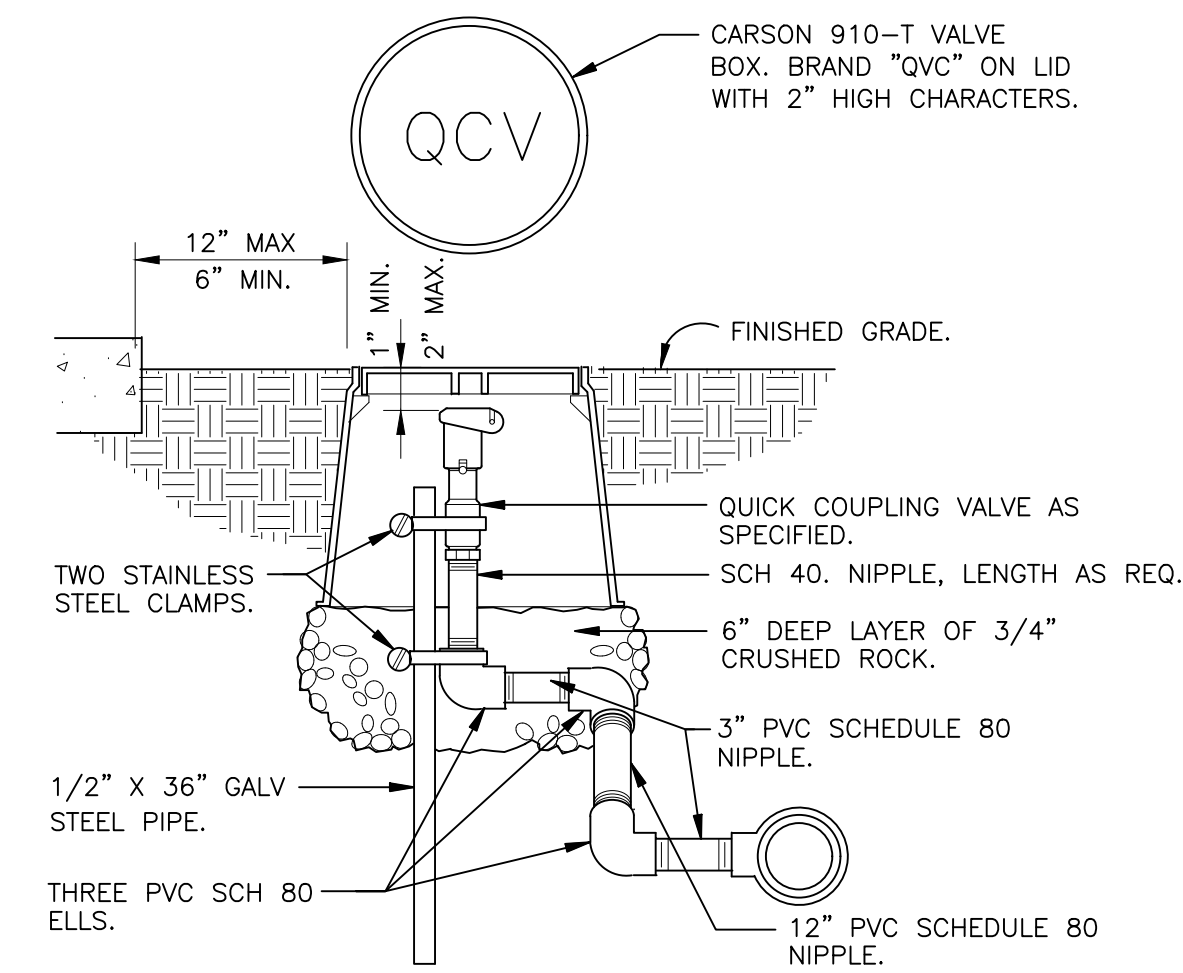


- NOTE:
1. REFER TO CONTROLLER MANUFACTURER'S RECOMMENDATIONS FOR WIRING MASTER VALVE AND FLOW SENSOR.
 2. SENSOR DECODER'S NOT AVAILABLE ON ALL CONTROLLERS. VALVES MAY BE DIRECTLY WIRED INTO CONTROLLER.

MASTER VALVE/FLOW SENSOR ON DECODER

1 1/2" = 1'-0"

32 8406.23-11

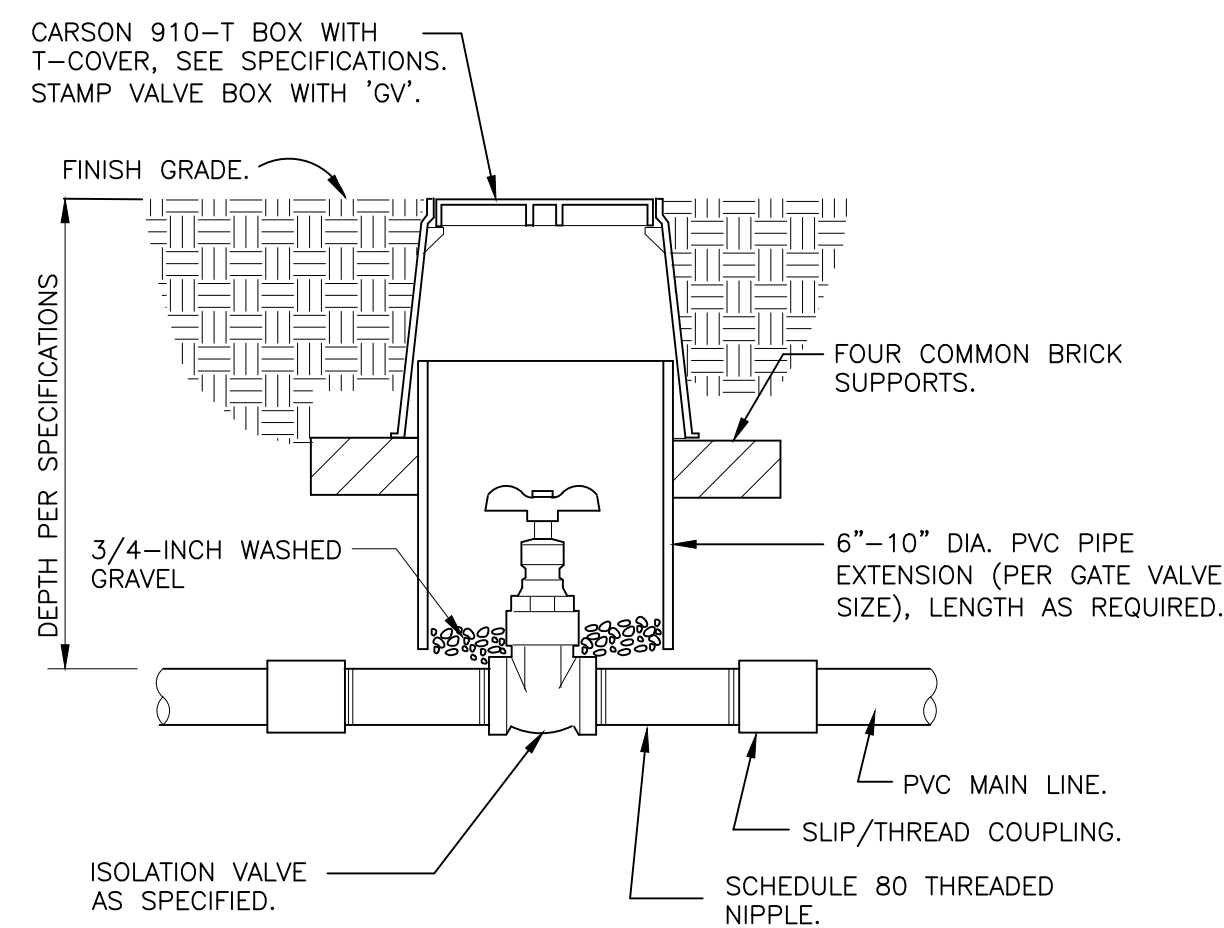


NOTE: PRE-FABRICATED SWING JOINT ASSEMBLY MAY BE UTILIZED.

QUICK COUPLING VALVE IN BOX

1 1/2" = 1'-0"

328406.43-02

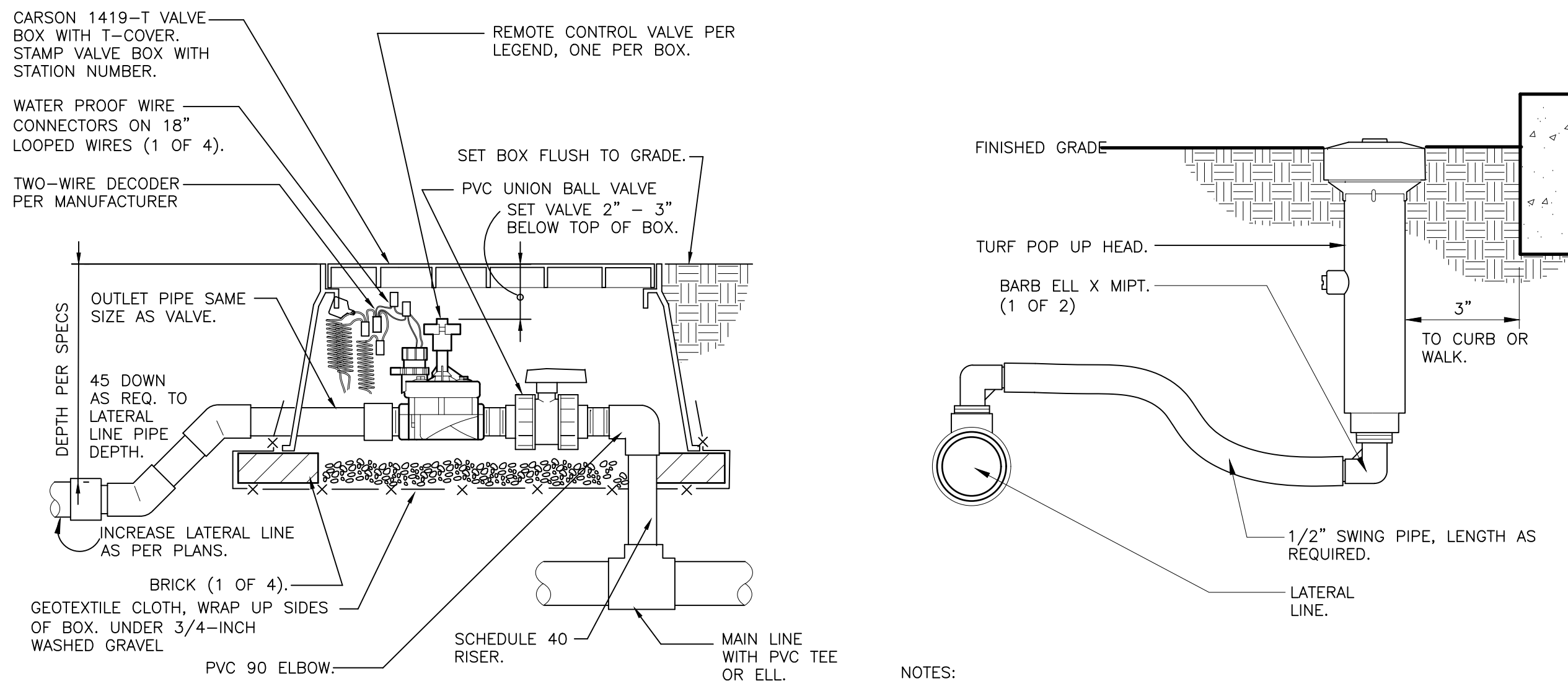


NOTE: VALVE SHALL HAVE CROSS HANDLE FOR EASE OF MAINTENANCE

ISOLATION GATE VALVE

1 1/2" = 1'-0"

328406.33-01

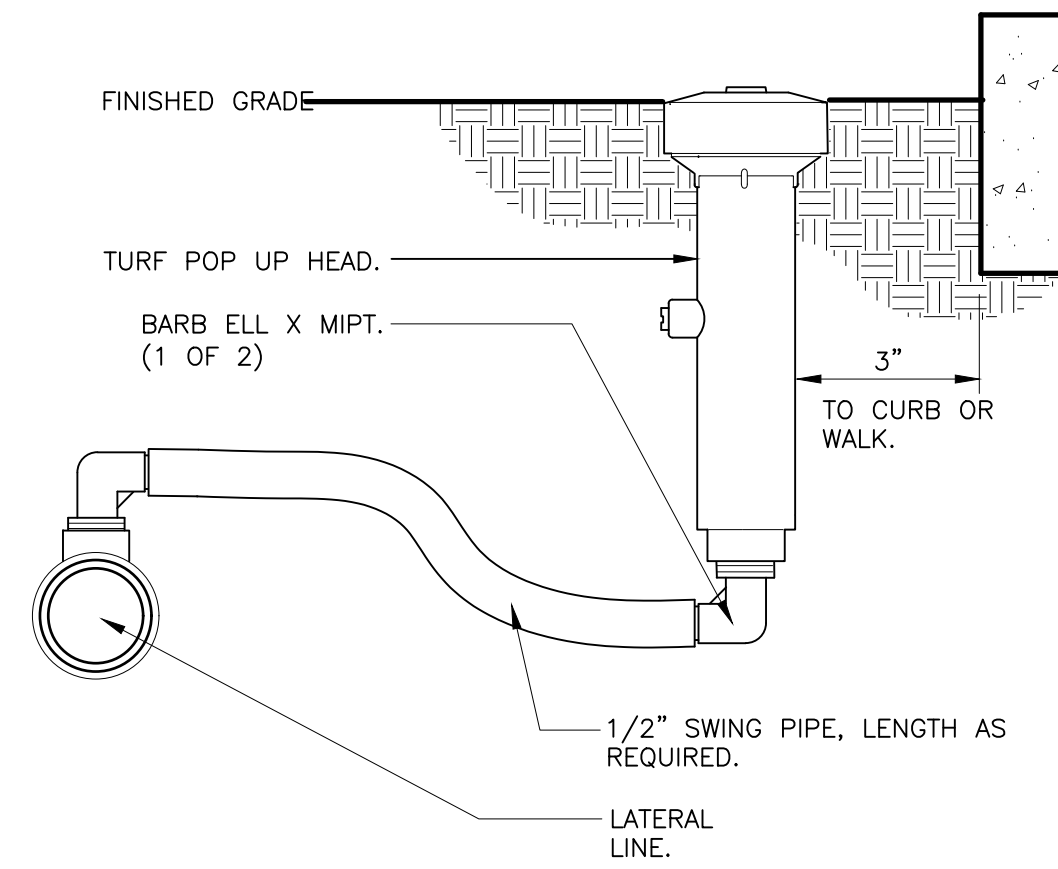


NOTE: LEAVE 2 FOOT LOOP OF 2-WIRE CABLE IN EACH BOX. ADD SURGE DECODER AT VALVE AS RECOMMENDED BY MANUFACTURER.

REMOTE CONTROL TURF VALVE W/DECODER

1 1/2" = 1'-0"

32 8406.13-06



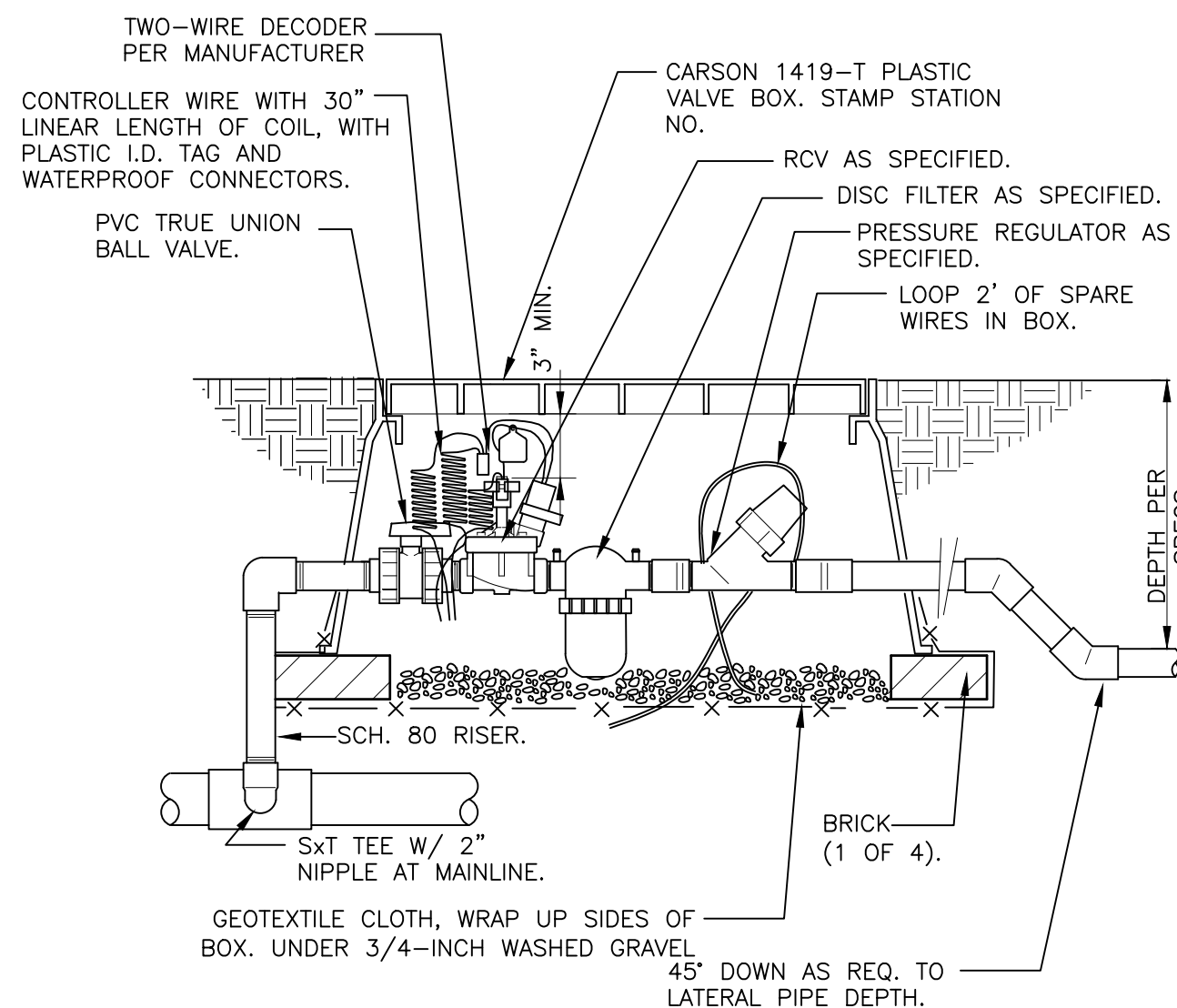
NOTE:

1. 6-INCH POP-UP RISERS SHALL BE UTILIZED IN ALL TURF/NATIVE SEEDED AREAS.
2. SIDE INLET SHALL NOT BE UTILIZED.

6-INCH POP-UP SPRAY

3" = 1'-0"

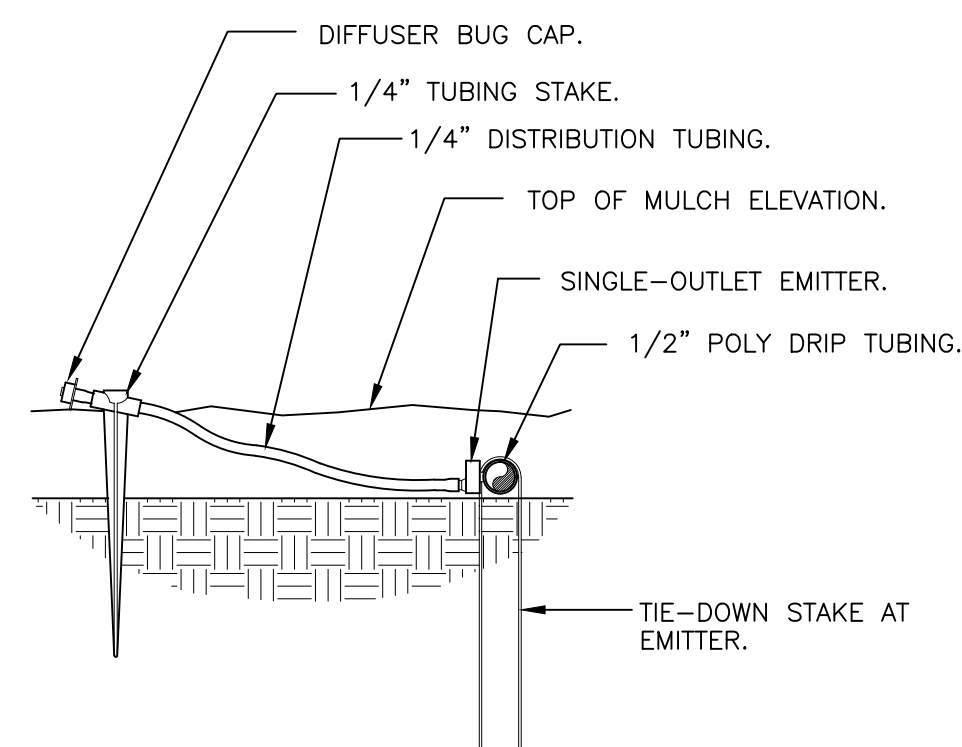
328403.13-02



1" DRIP VALVE W/DISC FILTER W/DECODER

1 1/2" = 1'-0"

328413.76-16



DRIP EMITTER AT 1/4" TUBING

3" = 1'-0"

328413.13-03

Prepared For

ESX MANAGEMENT
7353 SOUTH ALTON WAY
CENTENNIAL, CO 80112

Irrigation Design

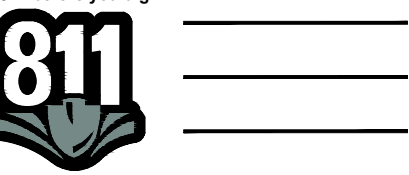
MPI Designs
P.O. BOX 345
Windsor, CO 80550
970.402.3047
Michelle@MPIDesignsllc.com

Engineering

CVL CONSULTANTS
10333 E. DRY CREEK RD. #240
ENGLEWOOD, CO 80112
720-482-9526

TRAILS AT CROWFOOT FILING 16
PRELIMINARY IRRIGATION PLANS
PARKER, COLORADO

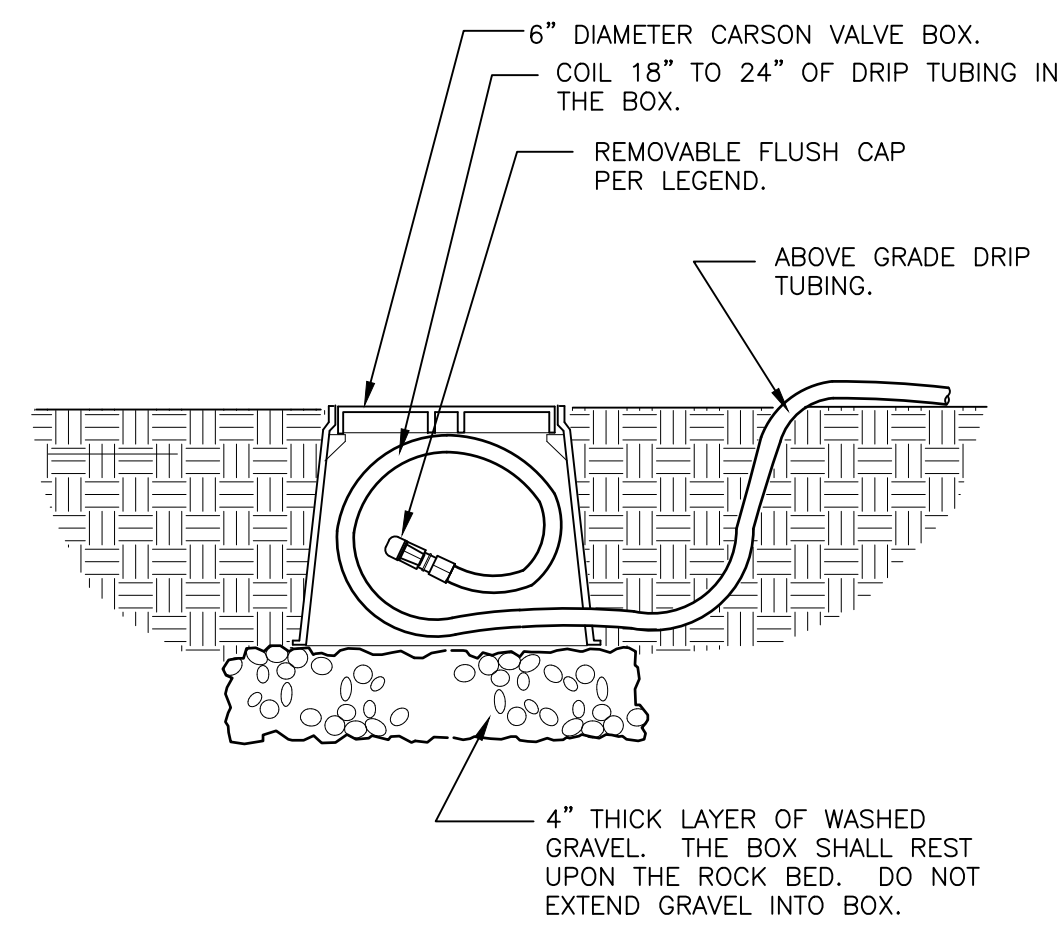
Drawn by: DGP / MLP
Checked by: MLP
Submittal Date: 06.15.18
Date: 09.26.18
Know what's below. Call before you dig.



Sheet Name
IRRIGATION DETAILS

Sheet Number

IR2.1

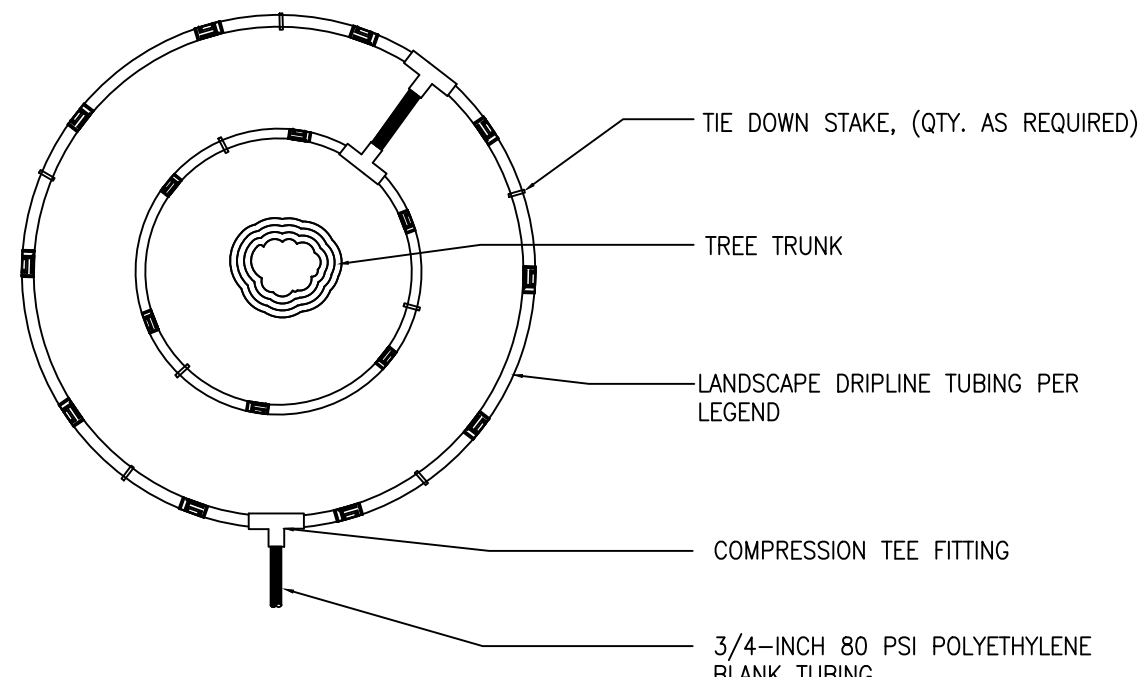


1. LOCATE FLUSH CAP ASSEMBLY AT THE END OF EACH DRIP LINE.
2. ENSURE THAT THE COILED DRIP TUBING IS OF SUFFICIENT LENGTH TO COMPLETELY EXTEND OUT OF THE VALVE BOX WHEN FLUSHING.

DRIP FLUSH CAP ASSEMBLY

1 1/2" = 1'-0"

328413.49-06

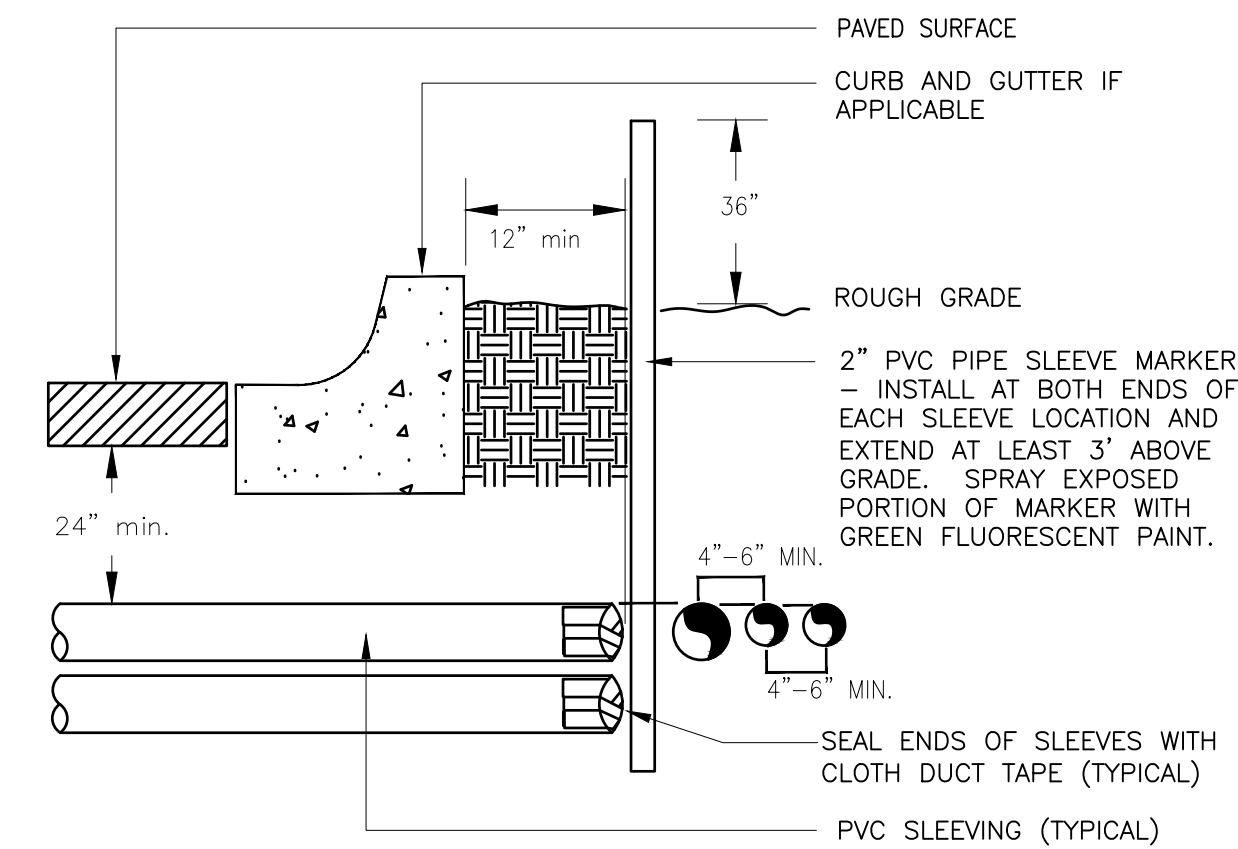


- NOTE:
1. CONTRACTOR SHALL INSTALL ALL DRIP TUBING IN NATIVE AREAS 2-3" BELOW GRADE IF MULCH IS NOT PRESENT. IF MULCH IS PRESENT, LAY TUBING ON FINISHED GRADE BELOW MULCH.
 2. DIAMETER OF DRIPLINE RINGS ARE DEPENDENT ON TREE CANOPY SIZE AND SHALL BE ADJUSTED IN THE FIELD PER CONTRACTOR. SUGGESTED PLACEMENT OF 3' DIAMETER AND 5' DIAMETER AROUND TREE.
 3. SHRUBS IN NATIVE SHALL UTILIZE A SINGLE TREE RING (UTILIZE INNER RING SHOWN ABOVE).
 4. TREE RINGS CAN BE UTILIZED ON TREES IN SHRUB BEDS.

INLINE DRIP RING FOR PLANTS IN NATIVE

N.T.S.

328413.56-40

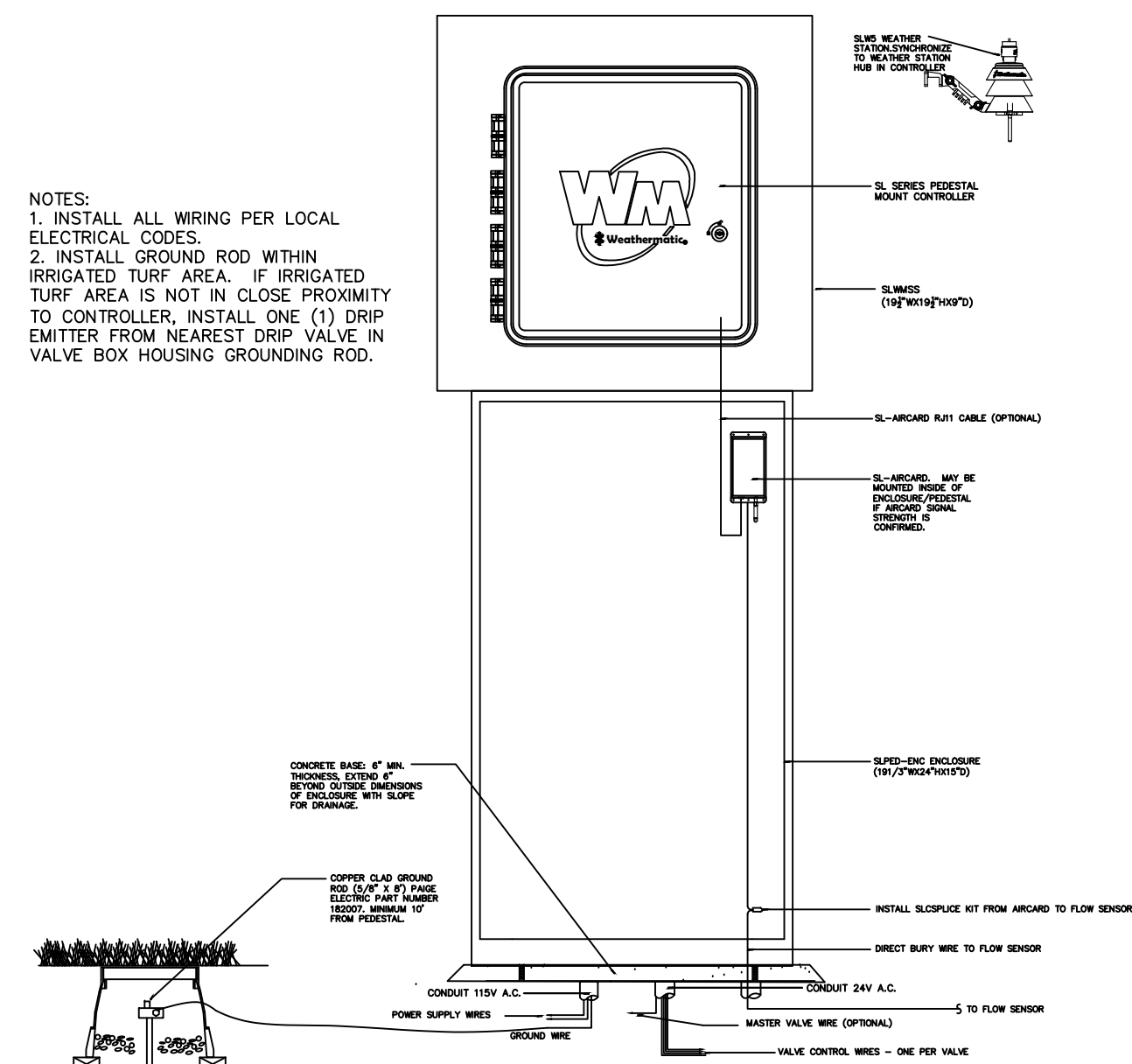


- NOTE:
- 1) ALL SLEEVING TO BE CLASS 200 BE PVC, SIZED AS NOTED.
 - 2) INSTAL SLEEVES IN SIDE-BY-SIDE CONFIGURATION WHERE MULTIPLE SLEEVES ARE TO BE INSTALLED. SPACE SLEEVES 4" TO 6" APART. DO NOT STACK SLEEVES VERTICALLY.

TYPICAL SLEEVE

N.T.S.

328409.76-21



- NOTES:
1. INSTALL ALL WIRING PER LOCAL ELECTRICAL CODES.
 2. INSTALL GROUND ROD WITHIN IRRIGATED TURF AREA. IF IRRIGATED TURF AREA IS NOT IN CLOSE PROXIMITY TO CONTROLLER, INSTALL ONE (1) DRIP EMITTER FROM NEAREST DRIP VALVE IN VALVE BOX HOUSING GROUNDING ROD.

WEATHERMATIC PEDESTAL MOUNT CONTROLLER

N.T.S.

328409.16-26