

NO CHANGES ARE TO BE MADE TO THIS DRAWING WITHOUT WRITTEN PERMISSION OF HARRIS KOCHER SMITH.

1. GRADING, DRILLING, CLEARING, EXCAVATING, BACK-FILLING, SOIL STRIPPING, SOIL IMPORTING EXPORTING OR ANY OTHER FORM OF SOIL DISTURBANCE SHALL NOT COMMENCE UNTIL A TOWN OF PARKER GRADING/EXCAVATION PERMIT HAS BEEN ISSUED.
2. THE TOWN OF PARKER GRADING/EXCAVATION PERMIT IS VALID FOR A PERIOD OF 2 YEARS FROM THE DATE OF ISSUANCE. ANY LAPSE IN PERMIT COVERAGE MAY RESULT IN THE ISSUANCE OF A STOP WORK ORDER AND/OR FINES.
3. ALL EROSION AND SEDIMENT CONTROL BMPs SHALL BE INSTALLED ACCORDING TO THE CBMP PLAN INSTALLATION NOTES AND DETAILS AND/OR PERMITTED VARIANCES. ALL MATERIALS, WORKMANSHIP AND INSTALLATION METHODS ARE SUBJECT TO INSPECTION BY THE TOWN'S INSPECTOR. THE TOWN OF PARKER RESERVES THE RIGHT TO ACCEPT OR REJECT ANY SUCH MATERIALS, WORKMANSHIP AND/OR INSTALLATION METHODS THAT DO NOT CONFORM TO THE CBMP PLAN AND/OR PERMITTED VARIANCES.
4. THE EROSION CONTROL SUPERVISOR SHALL REVISE OR MODIFY THE EROSION AND SEDIMENT CONTROL MEASURES IF IT BECOMES APPARENT THAT THE ORIGINAL PLAN IS INADEQUATE, OR AS A RESULT OF DEFICIENCIES IDENTIFIED DURING INSPECTIONS PERFORMED BY THE TOWN'S INSPECTOR.
5. THE INSTALLATION OF ADDITIONAL EROSION AND SEDIMENT CONTROL BEST MANAGEMENT PRACTICES (BMPs) MAY BE REQUIRED OF THE EROSION CONTROL SUPERVISOR, PROPERTY OWNER, SITE DEVELOPER, CONTRACTOR AND/OR THEIR AUTHORIZED AGENTS AT ANY TIME THROUGHOUT THE DURATION OF THE PROJECT CONSTRUCTION AND/OR SUBSEQUENT REVEGETATION PERIOD.
6. THE EROSION CONTROL SUPERVISOR SHALL BE RESPONSIBLE FOR ENSURING THAT THE SITE REMAINS IN COMPLIANCE WITH THE NOTICE OF NUISANCE REPORTS (a.k.a. CONSTRUCTION SITE RUNOFF CONTROL INSPECTION REPORTS), APPROVED CBMP PLAN(S) AND THE TOWN OF PARKER STORM DRAINAGE AND ENVIRONMENTAL APPROVAL MANUAL.
7. THE EROSION CONTROL SUPERVISOR SHALL BE READILY AVAILABLE TO DISCUSS AND CORRECT ANY PROBLEMS THAT MAY ARISE RELATING TO GRADING, EROSION AND SEDIMENT CONTROL.
8. IF IT IS ANTICIPATED THAT ALL OR A PORTION OF THE PROJECT WILL OCCUR DURING SEASONS SUSCEPTIBLE TO SNOWFALL, THE USE OF CERTAIN EROSION AND SEDIMENT CONTROL BMPs ADJACENT TO PUBLIC ROADWAYS MAY NEED TO BE RECONSIDERED DUE TO THE NATURE OF SNOW REMOVAL OPERATIONS. AN APPROVED ALTERNATIVE MAY BE NECESSARY TO MINIMIZE DAMAGE FROM THESE OPERATIONS. THE TOWN OF PARKER ASSUMES NO RESPONSIBILITY FOR DAMAGE TO ANY BMPs AS A RESULT OF SNOW FLOWING AND SNOW REMOVAL.
9. AREAS OF LAND DISTURBANCE EQUAL TO 40 ACRES OR GREATER SHALL NOT BE EXPOSED FOR MORE THAN 30 CONSECUTIVE DAYS WITHOUT TEMPORARY OR PERMANENT STABILIZATION.
10. AUTHORIZED EXEMPTIONS MAY BE ALLOWED TO THE 40-ACRE LIMIT FOR REMOVAL AND STORAGE OF CUT MATERIAL WHERE (A) GEOTECHNICAL LIMITATIONS RESTRICT THE USE OF TEMPORARY OR PERMANENT STABILIZATION OF THE STORED MATERIAL (E.G., SWELLING SOILS, ROCK) AND (B) WHEN THE OWNER CAN DEMONSTRATE THAT THE 40-ACRE LIMIT IS PHYSICALLY AND/OR FINANCIALLY IMPRACTICABLE FOR SITES GRANTED THIS EXEMPTION. A PHASING AND EARTHWORK QUANTITIES PLAN SHALL BE SUBMITTED TO THE PUBLIC WORKS DEPARTMENT AND APPROVED PRIOR TO THE COMMENCEMENT OF LAND DISTURBANCE ACTIVITIES. SUBMITTAL REQUIREMENTS INCLUDE:
  - (i) PHASING PLAN SHOWING CUT AND FILL VOLUMES AND LOCATIONS FOR EACH PHASE AND PROJECT TOTALS.
  - (ii) EARTHWORK QUANTITY PLAN SHOWING CUT AND FILL VOLUMES AND LOCATIONS FOR EACH PHASE AND PROJECT TOTALS.
  - (iii) BMP PLAN SHOWING SPECIFIC EROSION AND SEDIMENT CONTROLS FOR EACH PHASE.

**CBMP** CONSTRUCTION BEST MANAGEMENT PRACTICES  
**GEN NOTES** 1 OF 4  
 Oct. 2013

11. ANY EROSION AND SEDIMENT CONTROL BMPs THAT ARE DAMAGED OR IN NEED OF MAINTENANCE OR REPLACEMENT SHALL BE CORRECTED AS SOON AS POSSIBLE, IMMEDIATELY IN MOST CASES.
12. ALL DEFICIENCIES LISTED ON THE NOTICE OF NUISANCE FORM SHALL BE COMPLETED AS SOON AS POSSIBLE, IMMEDIATELY IN MOST CASES. ALL REQUIRED ACTIONS MUST BE IN THE CORRECTED FORM DURING THE FOLLOW-UP INSPECTION.
13. THE EROSION CONTROL SUPERVISOR IS RESPONSIBLE FOR ENSURING THAT ALL STREETS, CURBS, GUTTERS, SIDEWALKS, DRIVEWAYS, PARKING LOTS, ALLEYS, TRICKLE CHANNELS, AND/OR OTHER IMPERVIOUS SURFACES IMPACTED BY CONSTRUCTION ACTIVITIES ARE THOROUGHLY CLEANED THROUGHOUT THE DAY IF THEY BECOME SOILED. THESE AREAS MUST ALSO BE THOROUGHLY CLEAN BEFORE THE END OF THE WORK DAY.
14. BULK STORAGE STRUCTURES FOR PETROLEUM PRODUCTS AND OTHER CHEMICALS SHALL HAVE ADEQUATE PROTECTION SO AS TO CONTAIN ALL SPILLS AND PREVENT ANY SPILLED MATERIAL FROM ENTERING STATE WATERS.
15. ALL TRASH RECEPTACLES ON SITE SHALL BE FREE OF HOLES, CRACKS, GAPS, AND/OR OTHER PERMEABLE AREAS THAT MAY ALLOW FOR THE DISCHARGE OF POLLUTANTS.
16. ALL TRASH RECEPTACLES ON SITE SHALL BE EMPTIED AT A FREQUENCY AS TO ENSURE THAT THE TRASH REMAINS CONFINED TO THE RECEPTACLE.
17. ALL LOOSE TRASH AND LITTER ASSOCIATED WITH THE PROJECT MUST BE REMOVED AND PROPERLY DISCARDED ON A DAILY BASIS.
18. ALL PORTABLE TOILETS SHALL BE STAKED DOWN AT ALL TIMES USING U-SHAPED REBAR STAKES. THE PORTABLE TOILETS SHALL ALSO BE PLACED A MINIMUM DISTANCE OF 10 FEET FROM ALL IMPERVIOUS SURFACES, INCLUDING, BUT NOT LIMITED TO STREETS CURBS, GUTTERS, SIDEWALKS AND PARKING LOTS.
19. THE EROSION CONTROL SUPERVISOR SHALL MAINTAIN STRICT ADHERENCE TO THE LIMITS OF CONSTRUCTION AND PROPERTY LIMITS FOR ALL MATERIALS, VEHICLES AND EQUIPMENT. FAILURE TO ABIDE BY THIS REQUIREMENT MAY RESULT IN THE ISSUANCE OF A STOP WORK ORDER.
20. ALL CONSTRUCTION TRAFFIC MUST ENTER AND EXIT THE SITE THROUGH THE APPROVED ACCESS POINT(S). A VEHICLE TRACKING CONTROL PAD IS REQUIRED AT ALL APPROVED ACCESS POINTS TO THE SITE. EXCEPTIONS MAY BE CONSIDERED FOR CONSTRUCTION ACTIVITY OCCURRING IMMEDIATELY ADJACENT TO PAVED AREAS AND WHERE ALTERNATIVE BMPs ARE IMPLEMENTED. SUCH ACTIVITY MAY INCLUDE, BUT NOT BE LIMITED TO RESIDENTIAL CONSTRUCTION, UTILITY CONSTRUCTION, ETC.
21. NO PERMANENT SLOPES GREATER THAN 3:1 ARE ALLOWED.
22. ALL PERMANENT SLOPES STEEPER THAN 4:1 (HORIZONTAL TO VERTICAL) SHALL REQUIRE EROSION CONTROL BLANKET(S). TEMPORARY SLOPES IN TEMPORARY SEDIMENT BASINS THAT ARE STEEPER THAN 4:1 MAY REQUIRE EROSION CONTROL BLANKETS.
23. THE EROSION CONTROL SUPERVISOR SHALL BE RESPONSIBLE FOR CORRECTING ANY ADVERSE IMPACTS THAT OCCUR TO NEIGHBORING PROPERTIES. THE EROSION CONTROL SUPERVISOR MUST OBTAIN PERMISSION FROM LAND OWNERS PRIOR TO ENTERING SUCH PROPERTY.
24. A WATER SOURCE SHALL BE AVAILABLE ONSITE DURING CONSTRUCTION ACTIVITIES, AND UTILIZED TO MINIMIZE FUGITIVE DUST. ALTERNATIVE BMPs MAY BE REQUIRED IF INITIAL ATTEMPTS TO SUPPRESS DUST ARE UNSUCCESSFUL.

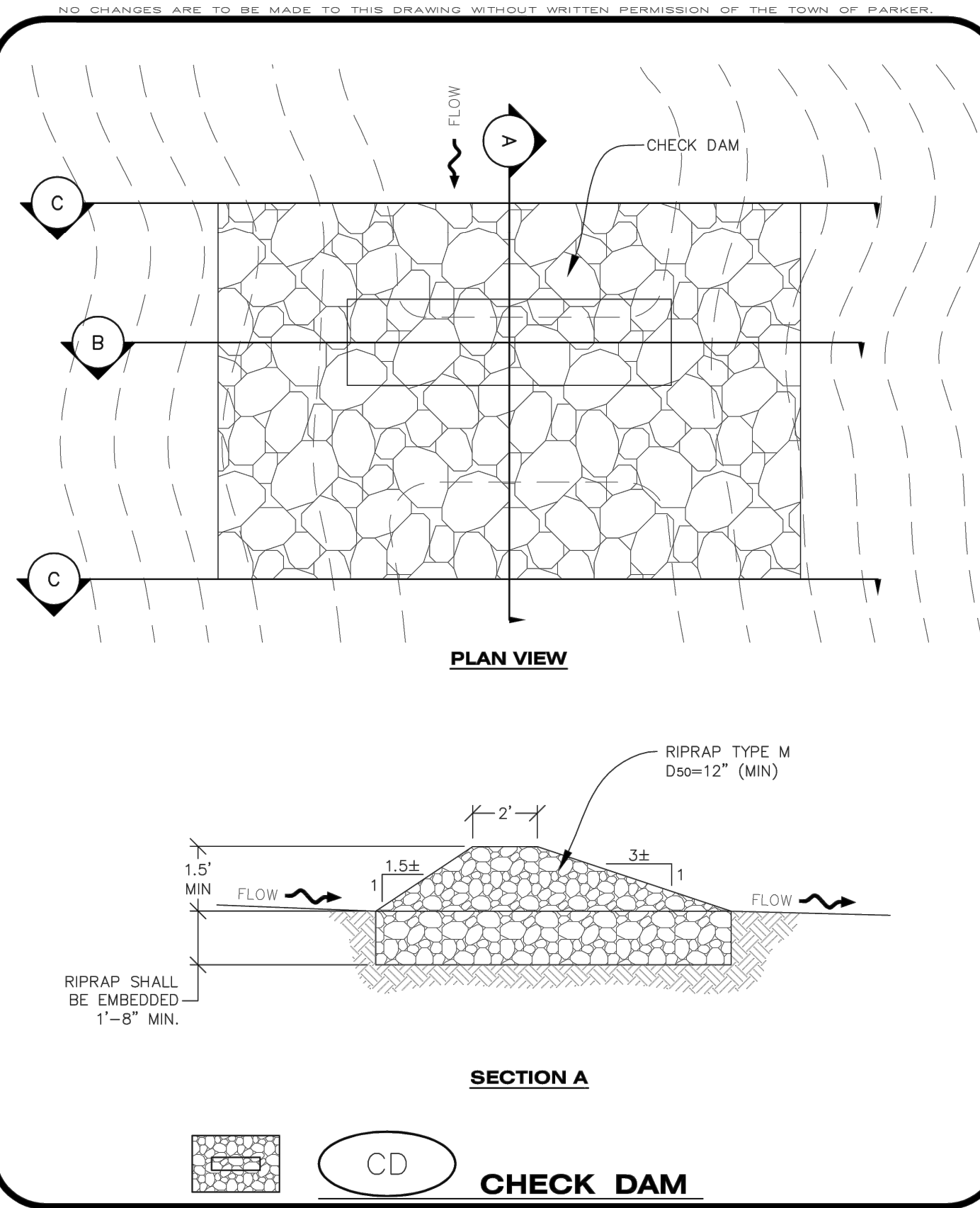
**CBMP** CONSTRUCTION BEST MANAGEMENT PRACTICES  
**GEN NOTES** 2 OF 4  
 Oct. 2013

25. ALL CHEMICAL OR HAZARDOUS MATERIAL SPILLS, INCLUDING CONCRETE WASHOUT WATER, WHICH MAY ENTER WATERS OF THE STATE OF COLORADO, WHICH INCLUDES BUT ARE NOT LIMITED TO, SURFACE WATER, GROUND WATER, DRY GULLIES OR STORM SEWERS LEADING TO SURFACE WATER, SHALL BE IMMEDIATELY REPORTED TO THE COLORADO DEPARTMENT OF PUBLIC HEALTH AND ENVIRONMENT (CDPHE) PER 25-8-601, AND THE TOWN OF PARKER. RELEASES OF PETROLEUM PRODUCTS AND CERTAIN HAZARDOUS SUBSTANCES LISTED UNDER THE FEDERAL CLEAN WATER ACT (40 CFR PART 116) MUST BE REPORTED TO THE NATIONAL RESPONSE CENTER AND THE CDPHE. SPILLS THAT POSE AN IMMEDIATE SAFETY HAZARD SHALL BE REPORTED TO 911.
26. THE CLEANING OF CONCRETE TRUCKS AND EQUIPMENT IS RESTRICTED TO THE APPROVED CONCRETE WASHOUT LOCATION ON THE JOB SITE. CONCRETE WASH WATER SHALL NOT BE DISCHARGED TO STATE WATERS OR STORM SEWER SYSTEMS.
27. VEHICLE AND EQUIPMENT DEGREASING IS PROHIBITED ON THE JOB SITE.
28. ALL DETERGENT ON SITE SHALL BE COORDINATED WITH THE TOWN'S INSPECTOR. A STATE PERMIT MAY BE REQUIRED FOR DETERGENT. THE EROSION CONTROL SUPERVISOR IS RESPONSIBLE FOR OBTAINING AND ADHERING TO ALL APPLICABLE PERMITS.
29. HYDRAULIC SEEDING AND/OR HYDRAULIC MULCHING ARE ONLY ALLOWED IN AREAS UNDER TEMPORARY OR PERMANENT IRRIGATION OR FOR THE PURPOSE OF TEMPORARY SOIL STABILIZATION.
30. APPLICABLE CONSTRUCTION BMPs SHALL REMAIN IN PLACE AND PROPERLY MAINTAINED UNTIL ALL LANDSCAPING HAS BEEN INSTALLED AND THE DESIRABLE VEGETATION HAS REACHED A POINT IN WHICH EROSION AND SEDIMENTATION IS NO LONGER A CONCERN AS DETERMINED BY THE TOWN'S INSPECTOR.
31. GRADING SECURITY RELEASE REQUIREMENTS:
  - 1) DEVELOPEABLE PROPERTY: IN ORDER FOR THE GRADING SECURITY TO BE RELEASED, THE SITE MUST MEET ITEMS A-H OR ITEM I (BELOW).
    - A. ALL SOIL-DISTURBING ACTIVITIES ASSOCIATED WITH THE GRADING PERMIT HAVE PERMANENTLY CEASED.
    - B. UNIFORM PERENNIAL VEGETATION COVER HAS BEEN ESTABLISHED WITH AN INDIVIDUAL PLANT DENSITY OF AT LEAST SEVENTY PERCENT (70%) OF PRE-DISTURBANCE LEVELS.
    - C. ALL CBMPs HAVE BEEN PROPERLY REMOVED FROM THE SITE.
    - D. IF ANY EROSION IS PRESENT, IT IS INSIGNIFICANT AND IS NOT LEAVING THE SITE AND/OR LEADING INTO ANY ON-SITE DRAINAGE INFRASTRUCTURE THAT MAY CONVEY SURFACE WATER OFF SITE.
    - E. WEEDS REPRESENT NO MORE THAN FIFTY PERCENT (50%) OF THE TOTAL VEGETATION ON THE SITE.
    - F. NO WEEDS ARE PRESENT FROM LIST A OF THE COLORADO NOXIOUS WEED LIST, AS AMENDED.
    - G. THE SITE IS PREDOMINANTLY FREE OF WEEDS FROM LIST B OF THE COLORADO NOXIOUS WEED LIST, AS AMENDED.
    - H. WEEDS ARE EVENLY DISTRIBUTED THROUGHOUT THE SITE WITH NO LARGE CONCENTRATIONS PRESENT.
    - I. A NEW GRADING PERMIT AND REPLACEMENT SECURITY HAS BEEN SUBMITTED AND APPROVED FOR THE APPLICABLE SITE OR ASSIGNMENT AS PROVIDED BY SECTION 11-10.150 OF THE TOWN OF PARKER MUNICIPAL CODE. IT IS THE PROPERTY OWNER'S OBLIGATION AT THE TIME OF CLOSING TO ENSURE THAT THE NEW SITE OWNER HAS PROVIDED THE TOWN WITH A REPLACEMENT SECURITY.

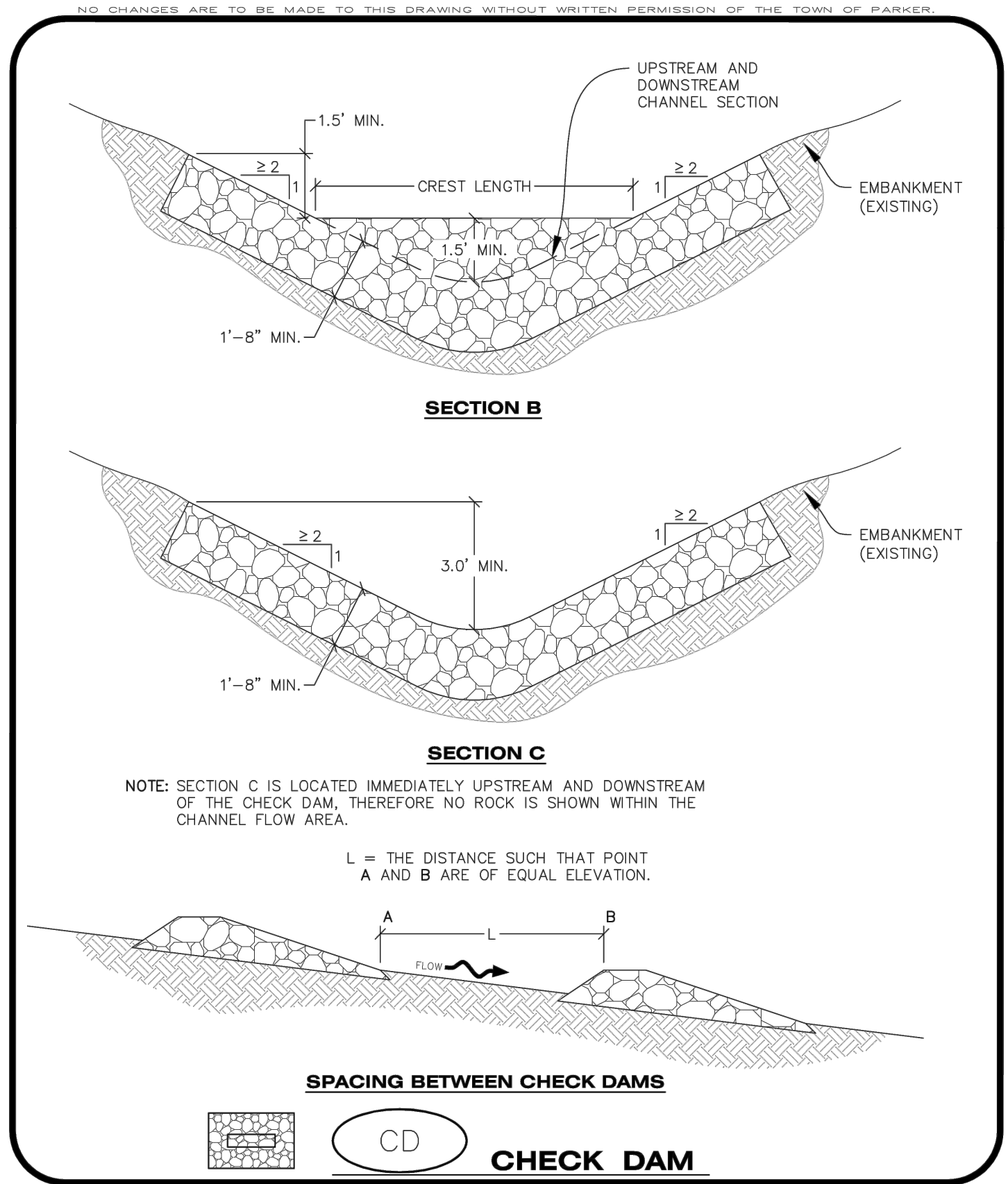
**CBMP** CONSTRUCTION BEST MANAGEMENT PRACTICES  
**GEN NOTES** 3 OF 4  
 Oct. 2013

- 2) NONDEVELOPEABLE PROPERTY: IN ORDER FOR THE GRADING SECURITY TO BE RELEASED, THE SITE MUST MEET ITEMS A-H AND J, OR ITEMS I AND J (BELOW).
    - A. ALL SOIL-DISTURBING ACTIVITIES ASSOCIATED WITH THE GRADING PERMIT HAVE PERMANENTLY CEASED.
    - B. ALL CBMPs HAVE BEEN PROPERLY REMOVED FROM THE SITE.
    - C. EROSION IS NEGLIGIBLE, IF EVEN PRESENT.
    - D. THE VEGETATION REPRESENTS A PERENNIAL STAND OF A DENSE, UNIFORM SURFACE OF GRASS WITH NO AREA GREATER THAN ONE (1) SQUARE FOOT THAT IS BARE OR DESIRABLE VEGETATION INFREQUENT, WIDELY SCATTERED AREAS WHERE NATIVE VEGETATION HAS NOT YET TAKEN HOLD MAY QUALIFY FOR ACCEPTANCE AT THE DISCRETION OF THE TOWN.
    - E. WEEDS REPRESENT NO MORE THAN TEN PERCENT (10%) OF THE TOTAL VEGETATION ON SITE.
    - F. NO WEEDS ARE PRESENT FROM LIST A OF THE COLORADO NOXIOUS WEED LIST, AS AMENDED.
    - G. THE SITE IS PREDOMINANTLY FREE OF WEEDS FROM LIST B OF THE COLORADO NOXIOUS WEED LIST, AS AMENDED.
    - H. WEEDS ARE EVENLY DISTRIBUTED THROUGHOUT THE SITE WITH NO LARGE CONCENTRATIONS PRESENT.
    - I. A NEW GRADING PERMIT AND REPLACEMENT SECURITY HAS BEEN SUBMITTED AND APPROVED FOR THE APPLICABLE SITE OR THE GRADING PERMIT HAS BEEN ASSIGNED AS PROVIDED BY SECTION 11-10.150 OF THE TOWN OF PARKER MUNICIPAL CODE. IT IS THE PROPERTY OWNER'S OBLIGATION, AT THE TIME OF CLOSING ON THE SALE OF A SITE THAT IS SUBJECT TO A GRADING PERMIT, TO ENSURE THAT THE NEW PROPERTY OWNER HAS PROVIDED THE TOWN WITH A REPLACEMENT SECURITY.
    - J. ALL KNOWN DRAINAGE ISSUES ASSOCIATED WITH THE PROJECT HAVE BEEN MITIGATED AND A SUFFICIENT AMOUNT OF TIME HAS PASSED TO ENSURE THAT SUCH ISSUES HAVE BEEN CORRECTED. THIS REQUIREMENT DOES NOT INCLUDE THOSE DRAINAGE ISSUES ORIGINATING ON RESIDENTIAL LOTS.
- (D) NOXIOUS WEEDS MUST BE CONTROLLED AS PROVIDED UNDER STATE LAW AND SECTION 6.01.260 OF THE TOWN OF PARKER MUNICIPAL CODE. FAILURE TO CONTROL NOXIOUS WEEDS ON THE SITE MAY CONSTITUTE A NUISANCE, SUBJECT TO THE PENALTIES CONTAINED IN THE CODE.
- DEFINITIONS:**
- DEVELOPEABLE PROPERTY** MEANS ANY LAND THAT HAS BEEN GRADED AND IS PART OF A PLATTED LOT OR PLATTED TRACT OF RECORD THAT WAS PLATTED FOR FUTURE DEVELOPMENT, INCLUDING RESIDENTIAL HOME CONSTRUCTION OR PUBLIC IMPROVEMENTS.
- NONDEVELOPEABLE PROPERTY** MEANS LAND THAT HAS BEEN GRADED AND WILL NOT BE FURTHER DISTURBED AS PART OF ANY FUTURE DEVELOPMENT. EXAMPLES INCLUDE, BUT ARE NOT LIMITED TO: PARKS, OPEN SPACE, HOMEOWNER ASSOCIATION OR BUSINESS ASSOCIATION PLATTED TRACTS, DETENTION PONDS AND DRAINAGEWAYS.
32. FAILURE TO COMPLY WITH ANY OF THE REQUIREMENTS DESCRIBED IN THIS SECTION MAY RESULT IN THE ISSUANCE OF: A NOTICE OF INTENT TO ISSUE A STOP WORK ORDER, A STOP WORK ORDER AND/OR THE REMEDIES/PENALTIES DESCRIBED IN CHAPTER 11.10 OF THE TOWN OF PARKER MUNICIPAL CODE.
  33. ANY PERSON CONVICTED OF VIOLATING ANY PROVISION OF THE TOWN OF PARKER, GRADING & EARTH MOVEMENT SECTION OF THE MUNICIPAL CODE SHALL BE GUILTY OF A MISDEMEANOR AND, UPON CONVICTION, BE PUNISHED BY A FINE OF NOT MORE THAN FOUR HUNDRED NINETY NINE DOLLARS (\$499.00) FOR EACH SEPARATE OFFENSE. EACH DAY A VIOLATION CONTINUES SHALL CONSTITUTE A SEPARATE OFFENSE. THE TOWN ALSO MAY SEEK IN MUNICIPAL COURT AN INJUNCTION, ABATEMENT, RESTITUTION OR ANY OTHER REMEDY TO PREVENT, ENJOIN, ABATE OR REMOVE THE VIOLATION. A PERSON CONVICTED OF VIOLATING CHAPTER 11.10 OF THE TOWN OF PARKER MUNICIPAL CODE SHALL BE LIABLE FOR THE ACTUAL COST OF REHABILITATING THE PROPERTY. THE COSTS MAY BE RECOVERED AS RESTITUTION IN MUNICIPAL COURT PROCEEDINGS OR IN A SEPARATE CIVIL ACTION.
  34. THE TOWN OF PARKER RESERVES THE RIGHT TO ALLOW MODIFICATIONS AND SUBSTITUTIONS TO THE CBMP NOTES AND DETAILS WHEN SUCH MODIFICATIONS AND SUBSTITUTIONS OFFER THE SAME LEVEL OF PROTECTION AS THE STANDARD REQUIREMENTS BASED UPON THE SPECIFIC SITUATION. AS DETERMINED BY TOWN STAFF. DUE TO THE INSIGNIFICANCE AND REGULARITY OF SUCH MODIFICATIONS AND SUBSTITUTIONS, THE APPROVAL OF SUCH VARIATIONS MAY NOT BE DOCUMENTED BY TOWN STAFF.

**CBMP** CONSTRUCTION BEST MANAGEMENT PRACTICES  
**GEN NOTES** 4 OF 4  
 Oct. 2013



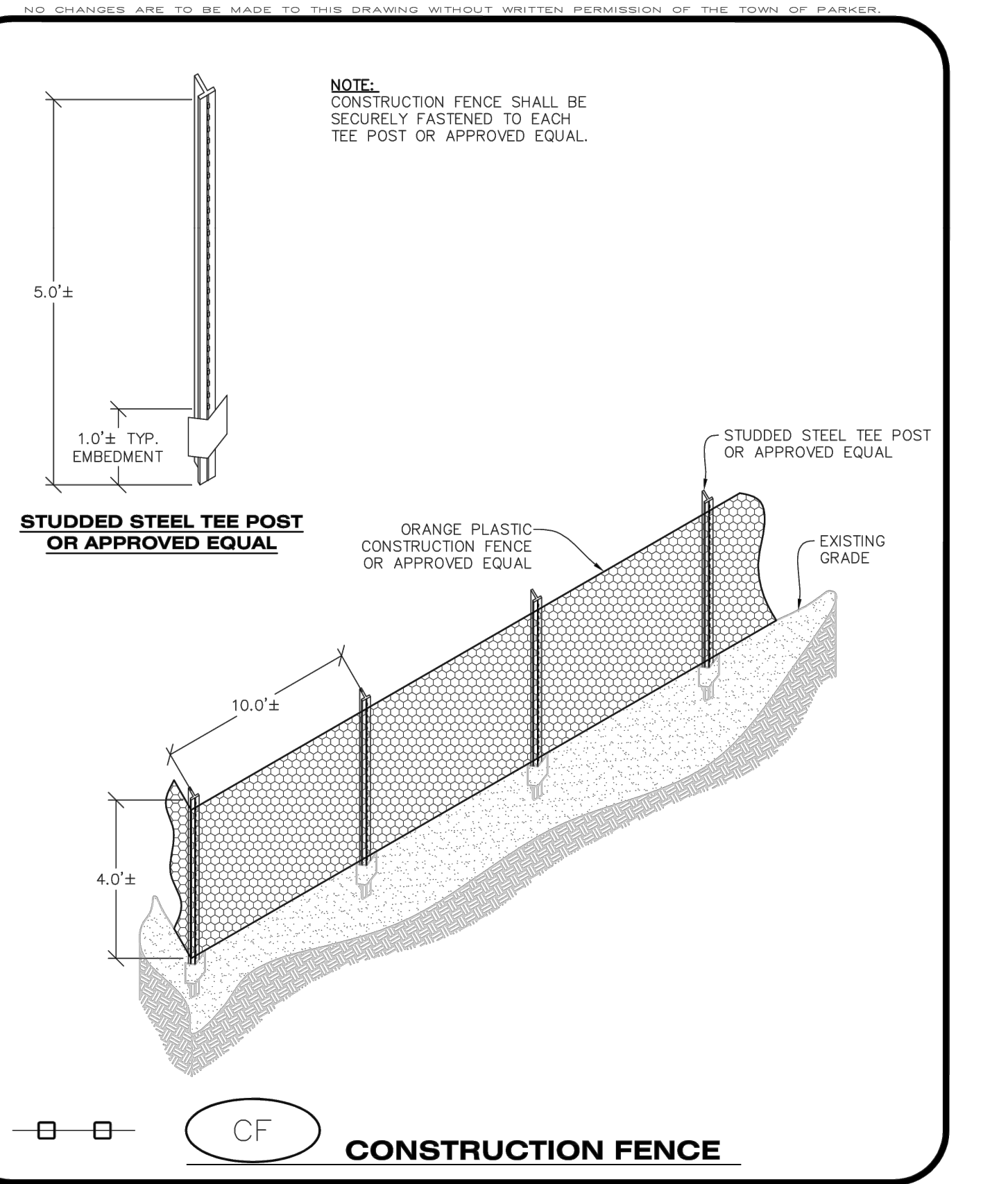
**CBMP** CONSTRUCTION BEST MANAGEMENT PRACTICES  
**CD** 1 OF 3  
 Oct. 2013



**CBMP** CONSTRUCTION BEST MANAGEMENT PRACTICES  
**CD** 2 OF 3  
 Oct. 2013

- CHECK DAM INSTALLATION NOTES**
1. SEE PLAN VIEW FOR LOCATION(S) OF CHECK DAMS.
  2. CHECK DAMS SHOWN ON CBMP PLAN SHALL BE INSTALLED WHEN DIRECTED BY THE TOWN'S INSPECTOR.
  3. RIPRAP UTILIZED FOR CHECK DAMS SHALL HAVE A D50 MEDIAN STONE SIZE OF 12\".
  4. RIPRAP PAD SHALL BE TRENCHED INTO THE GROUND A MINIMUM OF 1'-8\".
  5. THE MAXIMUM SPACING BETWEEN CHECK DAMS SHOULD BE SUCH THAT THE BOTTOM OF THE UPSTREAM DAM IS AT THE SAME ELEVATION AS THE TOP OF THE DOWNSTREAM DAM AS SHOWN IN THE DETAIL.
- CHECK DAM INSPECTION AND MAINTENANCE NOTES**
1. THE EROSION CONTROL SUPERVISOR SHALL REGULARLY INSPECT THE CHECK DAMS.
  2. ACCUMULATED SEDIMENT SHALL BE REMOVED ONCE SEDIMENT HAS REACHED A DEPTH EQUAL TO 1/2 THE HEIGHT OF THE CREST OR AS OTHERWISE DIRECTED BY THE TOWN'S INSPECTOR.
  3. CHECK DAMS SHALL REMAIN IN PLACE AND PROPERLY MAINTAINED UNTIL VEGETATIVE COVER HAS REACHED A CONSISTENT DENSITY OF AT LEAST 70% OF FULL VEGETATIVE COVER AND EROSION AND SEDIMENTATION IS NO LONGER A POSSIBILITY AS DETERMINED BY THE TOWN'S INSPECTOR OR AS OTHERWISE DIRECTED BY THE TOWN'S INSPECTOR.
  4. WHEN CHECK DAMS ARE REMOVED, THE TOWN'S INSPECTOR MAY REQUIRE EXCAVATIONS TO BE FILLED WITH SUITABLE COMPACTED TOPSOIL AND ANY DISTURBED AREAS ASSOCIATED WITH THE INSTALLATION, MAINTENANCE, AND/OR REMOVAL OF THE CHECK DAMS BE ROUGHENED, SEEDED, MULCHED, AND CRIMPED PER THE TOWN'S SPECIFICATIONS (SEE DETAIL SMC).
  5. IN SOME INSTANCES, CHECK DAMS MAY REMAIN IN PLACE PERMANENTLY.

**CBMP** CONSTRUCTION BEST MANAGEMENT PRACTICES  
**CD** 3 OF 3  
 Oct. 2013



**CBMP** CONSTRUCTION BEST MANAGEMENT PRACTICES  
**CF** 1 OF 2  
 Oct. 2013

FILE PATH: K:\200829\ENGINEERING\EROSION-CD - CBMP DETAILS.DWG. LAYOUT: LAYOUT (2)  
 NO SCALE  
 PLOTTED: TUE 11/23/21 2:02:53P BY: TIM HOFFMAN

**811** Know what's below. Call before you dig.  
 DESIGNED BY: MJS  
 CHECKED BY: RCP  
 DRAWN BY: MJS

ISSUE DATE: 07-30-2021	
DATE	REVISION COMMENTS

**HKS HARRIS KOCHER SMITH**  
 1120 Lincoln Street, Suite 1000  
 Denver, Colorado 80203  
 P: 303.623.6300 F: 303.623.6311  
 HarrisKocherSmith.com

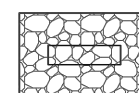
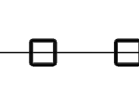

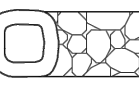
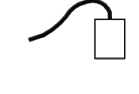
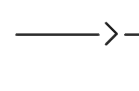



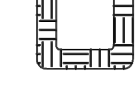
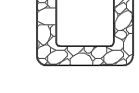

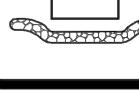
PLAZA STREET PARTNERS

LINCOLN & DRANSFELDT  
 CBMP LEGEND

PROJECT #: 200829  
 SHEET NUMBER  
**8**  
 8 OF 36

NO CHANGES ARE TO BE MADE TO THIS DRAWING WITHOUT WRITTEN PERMISSION OF HARRIS KOCHER SMITH.

NO CHANGES ARE TO BE MADE TO THIS DRAWING WITHOUT WRITTEN PERMISSION OF THE TOWN OF PARKER.

-  **CD** CHECK DAM
-  **CF** CONSTRUCTION FENCE
-  **CP** CULVERT PROTECTION
-  **CWA** CONCRETE WASHOUT AREA
-  **D** DEWATERING
-  **DD** DIVERSION DITCH
-  **DP** DETENTION POND PROTECTION
-  **DTC** DEBRIS TRASH CONTROL
-  **ECB** EROSION CONTROL BLANKET
-  **IPAN** INLET PROTECTION FOR AREA INLETS NOT IN PAVEMENT
-  **IPAP** INLET PROTECTION FOR AREA INLETS IN PAVEMENT
-  **IPCOG** INLET PROTECTION, CURB ON-GRADE, TYPE R INLET
-  **IPCOS** INLET PROTECTION, CURB ON SUMP, TYPE R INLET






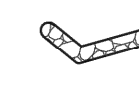
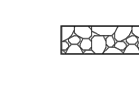


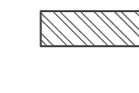
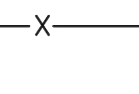

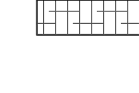


### CBMP

CONSTRUCTION BEST MANAGEMENT PRACTICES

LEGEND

1 OF 3  
Oct. 2013

NO CHANGES ARE TO BE MADE TO THIS DRAWING WITHOUT WRITTEN PERMISSION OF THE TOWN OF PARKER.

-  **LP** LOT PROTECTION
-  **MWP** MASONRY WORK PROTECTION
-  **PTP** PORTABLE TOILET PROTECTION
-  **RCSC** ROUGH CUT STREET CONTROL
-  **RS** ROCK SOCK
-  **RSS** ROCK SOCK IN SWALE
-  **SB** STRAW BALE
-  **SCL** SEDIMENT CONTROL LOGS
-  **SF** SILT FENCE
-  **SMC** SEEDING, MULCHING AND CRIMPING
-  **SR** SURFACE ROUGHING
-  **SSA** STABILIZED STAGING AREA
-  **STP** SIDEWALK TRANSITION PROTECTION




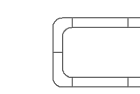
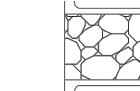
### CBMP

CONSTRUCTION BEST MANAGEMENT PRACTICES

LEGEND

2 OF 3  
Oct. 2013

NO CHANGES ARE TO BE MADE TO THIS DRAWING WITHOUT WRITTEN PERMISSION OF THE TOWN OF PARKER.

-  **TI** TEMPORARY IRRIGATION
-  **TSB** TEMPORARY SEDIMENT BASIN
-  **VTC** VEHICLE TRACKING CONTROL



### CBMP

CONSTRUCTION BEST MANAGEMENT PRACTICES

LEGEND

3 OF 3  
Oct. 2013

FILE PATH: K:\200829\ENGINEERING\EROSION\CD - CBMP DETAILS.DWG - CBMP DETAILS.DWG - LAYOUT - LAYOUT  
 NO SCALE  
 PLOTTED: TUE 11/23/21 2:03:00P BY: TIM HOFFMAN

 Know what's below. Call before you dig.	DESIGNED BY: MJS CHECKED BY: RCP DRAWN BY: MJS	ISSUE DATE: 07-30-2021		 1120 Lincoln Street, Suite 1000 Denver, Colorado 80203 P: 303.623.6300 F: 303.623.6311 HarrisKocherSmith.com	PLAZA STREET PARTNERS	LINCOLN & DRANSFELDT CBMP DETAILS	PROJECT #: 200829
							SHEET NUMBER
							9
							9 OF 36

NO CHANGES ARE TO BE MADE TO THIS DRAWING WITHOUT WRITTEN PERMISSION OF HARRIS KOCHER SMITH.

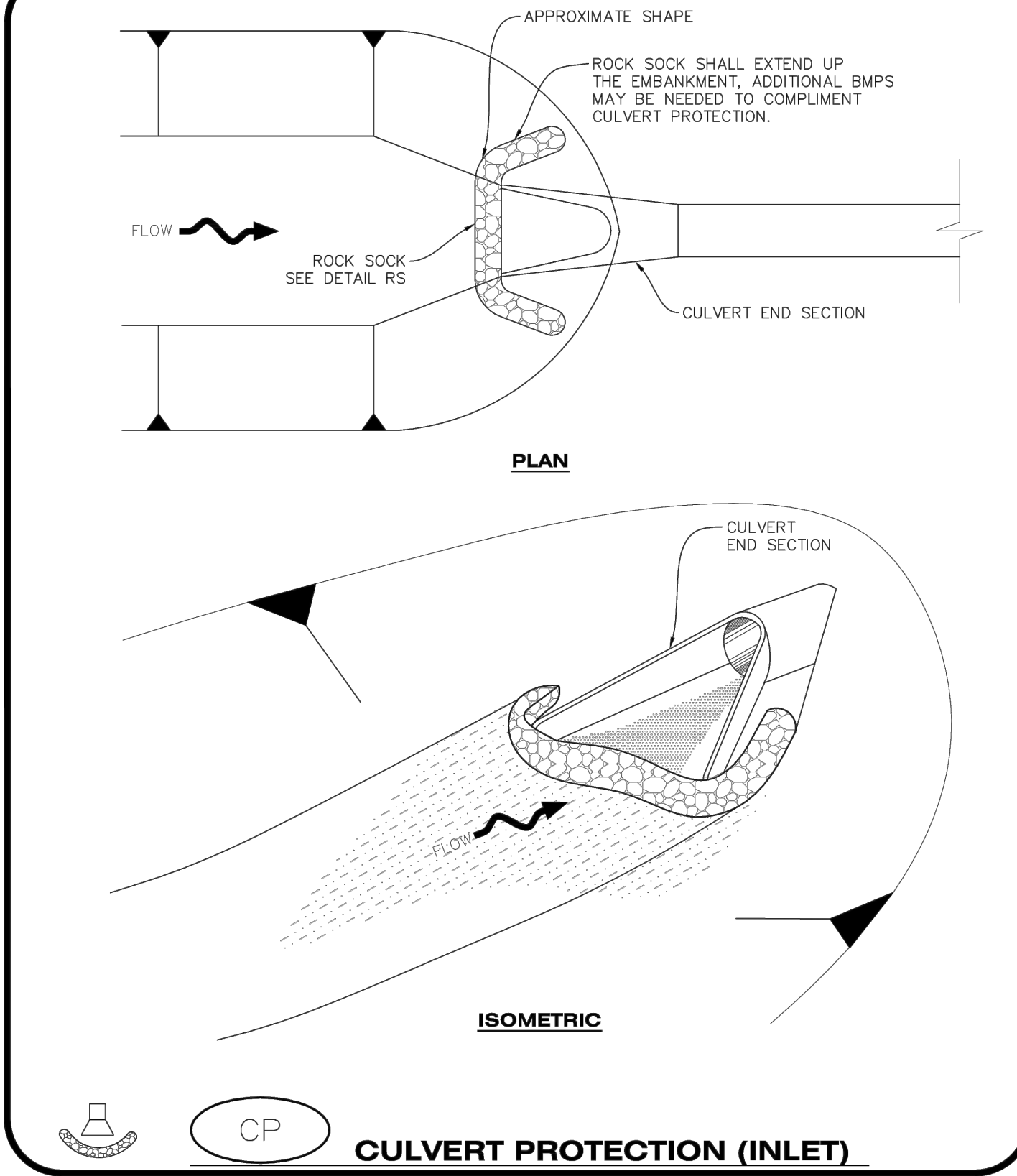
**CONSTRUCTION FENCE INSTALLATION NOTES**

1. THE CONSTRUCTION FENCE SHALL BE SECURELY FASTENED TO EACH POST OR APPROVED EQUAL.

**CONSTRUCTION FENCE INSPECTION AND MAINTENANCE NOTES**

1. THE EROSION CONTROL SUPERVISOR SHALL REGULARLY INSPECT THE CONSTRUCTION FENCE AND MAKE ANY NECESSARY REPAIRS.
2. CONSTRUCTION FENCE SHALL BE REPAIRED WHEN THE FENCING MATERIAL FALLS OUT OF COMPLIANCE WITH THE NOTES AND DETAILS.

**CBMP** | **CF**  
 CONSTRUCTION BEST MANAGEMENT PRACTICES | 2 OF 2  
 Oct. 2013



**CBMP** | **CP**  
 CONSTRUCTION BEST MANAGEMENT PRACTICES | 1 OF 2  
 Oct. 2013

**CULVERT PROTECTION (INLET) INSTALLATION NOTES**

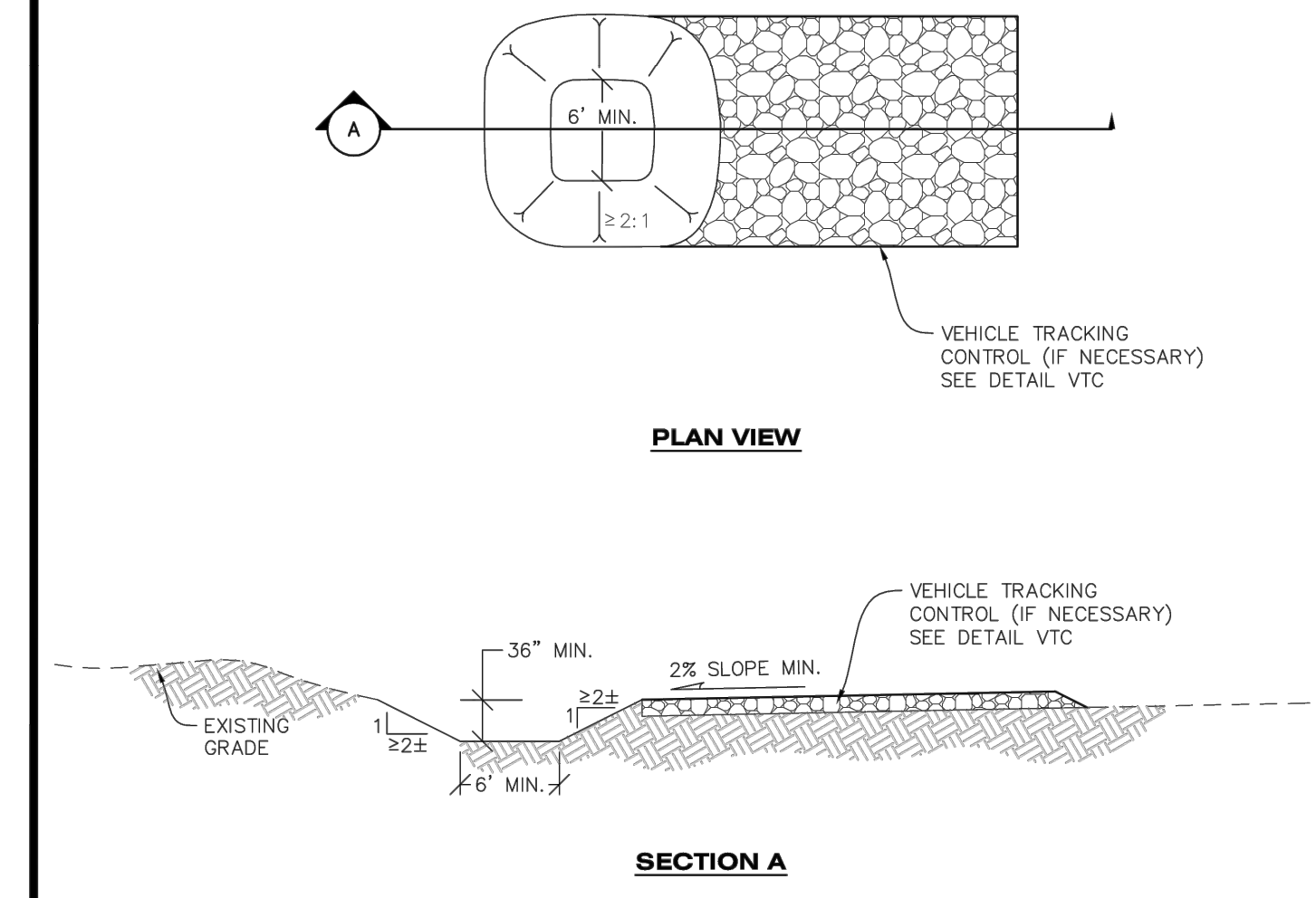
1. SEE PLAN VIEW FOR LOCATION(S) OF CULVERT PROTECTION (INLET).
2. ROCK SOCK SHALL BE CONSTRUCTED ACCORDING TO THE DETAIL (SEE DETAIL RS).
3. ROCK SOCK SHALL BE APPROXIMATELY 12" IN DIAMETER.
4. ROCK SOCK SHALL EXTEND ABOVE THE FLOW LINE ELEVATION ON BOTH SIDES OF THE CULVERT END SECTION.

**CULVERT PROTECTION (INLET) INSPECTION AND MAINTENANCE NOTES**

1. THE EROSION CONTROL SUPERVISOR SHALL REGULARLY INSPECT THE CULVERT PROTECTION (INLET).
2. AT A MINIMUM, ACCUMULATED SEDIMENT SHALL BE REMOVED ONCE SEDIMENT HAS REACHED A DEPTH EQUAL TO 1/2 THE HEIGHT OF THE ROCK SOCK.
3. CULVERT PROTECTION (INLET) IS TO REMAIN IN PLACE AND PROPERLY MAINTAINED UNTIL VEGETATIVE COVER HAS REACHED A CONSISTENT DENSITY OF AT LEAST 70% OF FULL VEGETATIVE COVER AND EROSION AND SEDIMENTATION IS NO LONGER A POSSIBILITY AS DETERMINED BY THE TOWN'S INSPECTOR OR AS OTHERWISE DIRECTED BY THE TOWN'S INSPECTOR.
4. WHEN THE CULVERT INLET PROTECTION IS REMOVED, THE TOWN'S INSPECTOR MAY REQUIRE ANY DISTURBED AREAS ASSOCIATED WITH THE INSTALLATION, MAINTENANCE, AND/OR REMOVAL OF THE CULVERT INLET PROTECTION TO BE ROUGHENED, SEEDED, MULCHED, AND CRIMPED PER THE TOWN'S SPECIFICATIONS (SEE DETAIL SMC).

**CBMP** | **CP**  
 CONSTRUCTION BEST MANAGEMENT PRACTICES | 2 OF 2  
 Oct. 2013

**NOTE:**  
 A VTC PAD IS NOT NECESSARY IF THERE IS ANOTHER VTC PAD IN BETWEEN THE CWA AND ROADWAY, PARKING LOT, DRIVE AISLES, ETC.



**CBMP** | **CWA**  
 CONSTRUCTION BEST MANAGEMENT PRACTICES | 1 OF 2  
 Oct. 2013

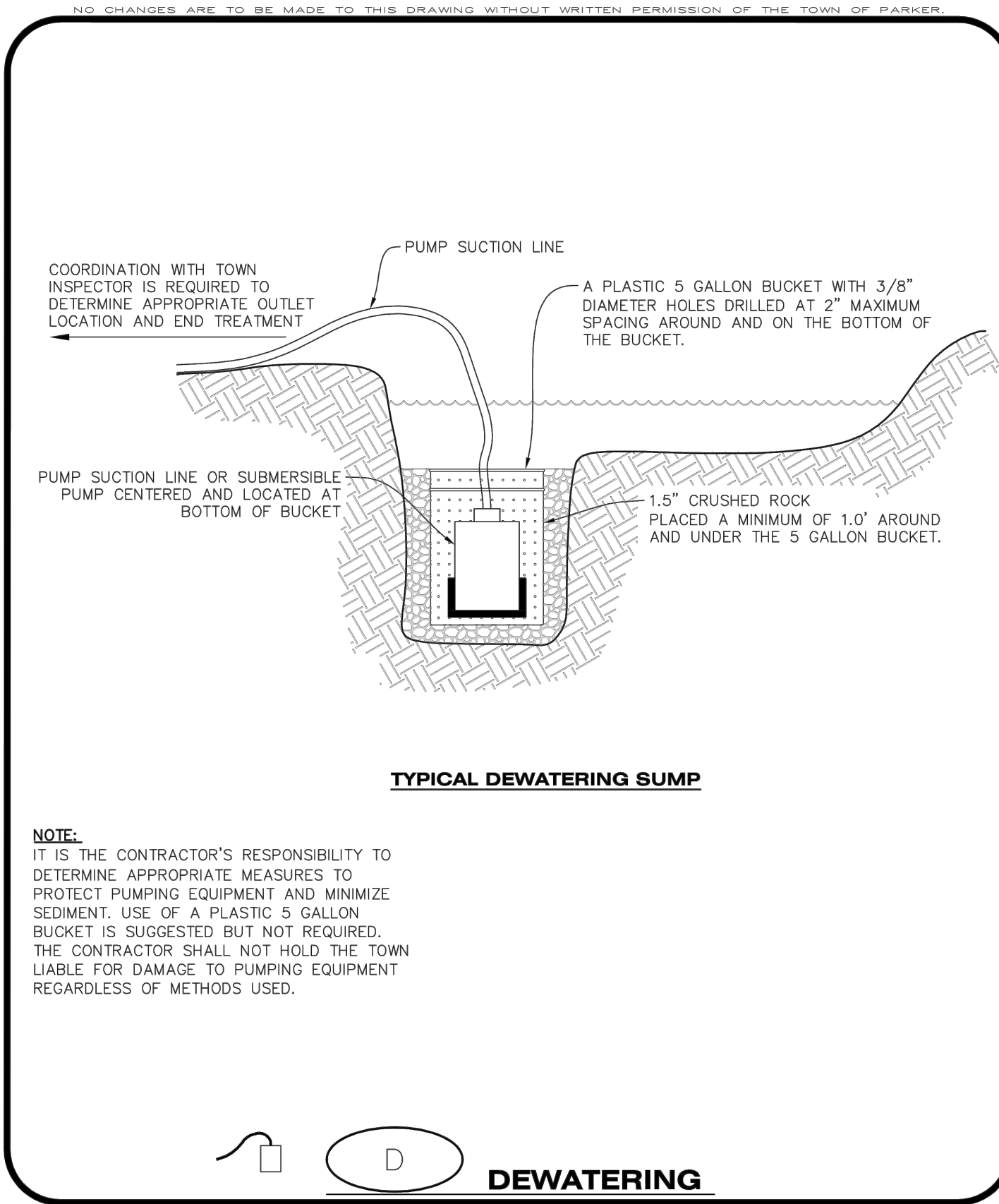
**CONCRETE WASHOUT AREA INSTALLATION NOTES**

1. CONCRETE WASHOUT AREAS SHALL BE INSTALLED PRIOR TO ANY CONCRETE PLACEMENT ON SITE.
2. A VEHICLE TRACKING CONTROL PAD IS REQUIRED AT THE ACCESS POINT TO ALL CONCRETE WASHOUT AREAS WHEN NO OTHER VTC PAD EXISTS IN BETWEEN THE CWA AND THE ROADWAY.
3. IF GROUNDWATER IS ENCOUNTERED WHEN DIGGING THE PIT, A NEW LOCATION SHOULD BE SELECTED. IF NO OTHER LOCATION CAN BE FOUND, A ONE-PIECE IMPERVIOUS LINER SHALL BE REQUIRED ALONG THE BOTTOM AND SIDES OF THE SUBSURFACE PIT.

**CONCRETE WASHOUT AREA INSPECTION AND MAINTENANCE NOTES**

1. THE EROSION CONTROL SUPERVISOR SHALL REGULARLY INSPECT THE CONCRETE WASHOUT AREA.
2. CONCRETE WASHOUT MATERIALS SHALL BE REMOVED BEFORE ITS CAPACITY HAS BEEN REACHED.
3. CONCRETE WASHOUT AREAS SHALL BE ENLARGED AS NECESSARY TO MAINTAIN CAPACITY FOR WASTED CONCRETE AND ASSOCIATED WASH WATER.
4. CONCRETE WASHOUT WATER, WASTED PIECES OF CONCRETE AND ALL OTHER DEBRIS IN THE SUBSURFACE PIT SHALL BE TRANSPORTED FROM THE JOB SITE AS NECESSARY TO ENSURE ADEQUATE CAPACITY.
5. CONCRETE WASHOUT AREAS SHALL REMAIN IN PLACE UNTIL ALL CONCRETE FOR THE PROJECT IS PLACED.
6. WHEN CONCRETE WASHOUT AREAS ARE REMOVED, THE TOWN'S INSPECTOR MAY REQUIRE EXCAVATIONS TO BE FILLED WITH SUITABLE COMPACTED BACKFILL AND TOPSOIL, ANY DISTURBED AREAS ASSOCIATED WITH THE INSTALLATION, MAINTENANCE, AND/OR REMOVAL OF THE CONCRETE WASHOUT AREAS SHALL BE ROUGHENED, SEEDED, MULCHED, AND CRIMPED PER THE TOWN'S SPECIFICATIONS (SEE DETAIL SMC).

**CBMP** | **CWA**  
 CONSTRUCTION BEST MANAGEMENT PRACTICES | 2 OF 2  
 Oct. 2013



**CBMP** | **D**  
 CONSTRUCTION BEST MANAGEMENT PRACTICES | 1 OF 2  
 Oct. 2013

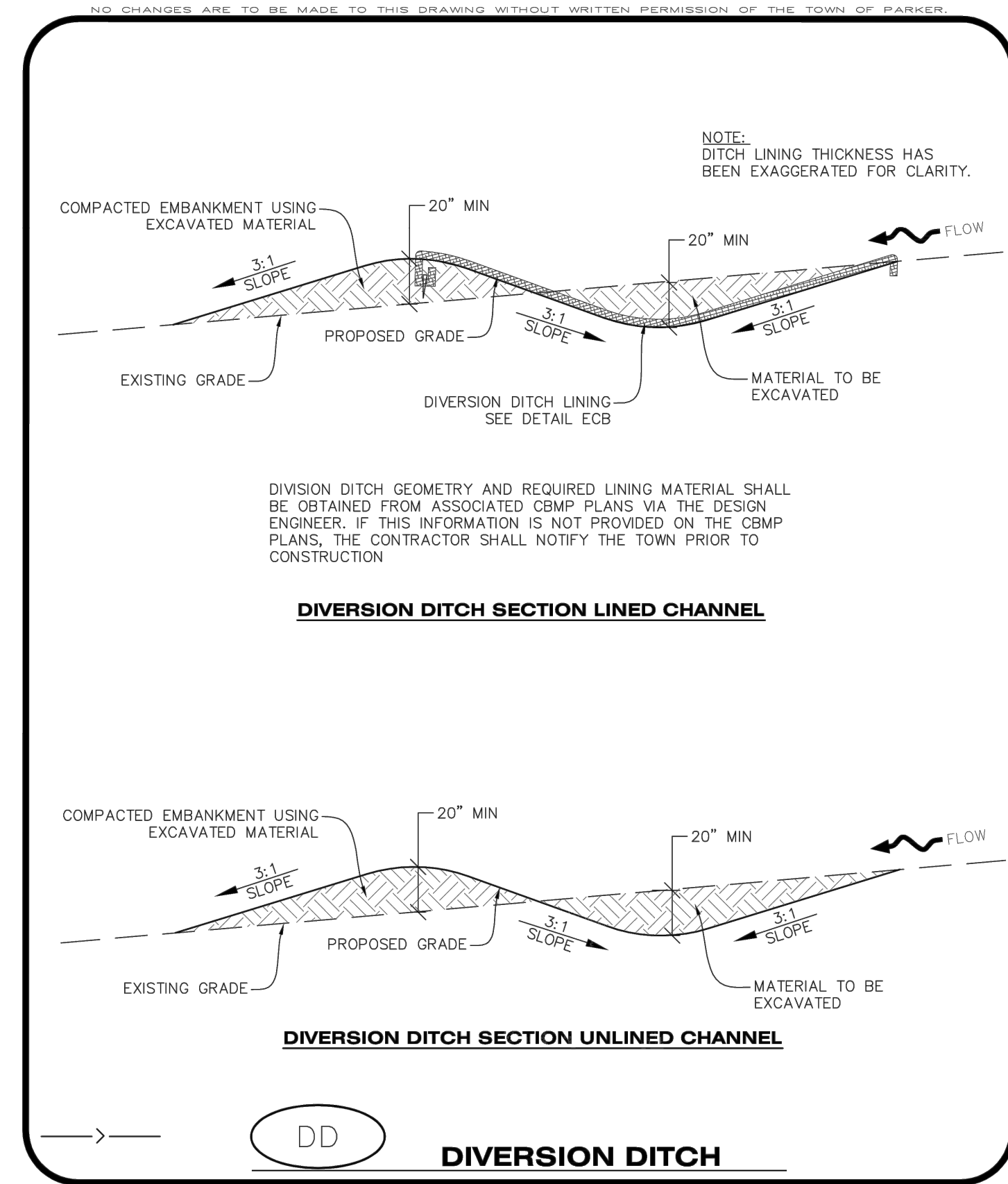
**DEWATERING INSTALLATION NOTES**

1. IT IS THE EROSION CONTROL SUPERVISOR'S RESPONSIBILITY TO ENSURE THAT ALL DEWATERING IS PERFORMED IN ACCORDANCE WITH THE REQUIREMENTS OF THE COLORADO DEPARTMENT OF PUBLIC HEALTH AND ENVIRONMENT (CDPHE).

**DEWATERING MAINTENANCE NOTES**

1. THE EROSION CONTROL SUPERVISOR SHALL INSPECT THE DEWATERING OPERATION TO ENSURE THAT THE DISCHARGE WATER IS DRAINING TO THE PROPER LOCATION(S) AND PERFORM ANY NECESSARY REPAIRS OR MAINTENANCE ON A FREQUENT BASIS.

**CBMP** | **D**  
 CONSTRUCTION BEST MANAGEMENT PRACTICES | 2 OF 2  
 Oct. 2013



**CBMP** | **DD**  
 CONSTRUCTION BEST MANAGEMENT PRACTICES | 1 OF 2  
 Oct. 2013

FILE PATH: K:\200829\ENGINEERING\EROSION-CD - CBMP DETAILS 2.DWG LAYOUT LAYOUT  
 NO SCALE  
 PLOTTED: TUE 11/23/21 2:03:08P BY: TIM HOFFMAN



DESIGNED BY: MJS
CHECKED BY: RCP
DRAWN BY: MJS

ISSUE DATE: 07-30-2021	
DATE	REVISION COMMENTS

**HKS HARRIS KOCHER SMITH**  
 1120 Lincoln Street, Suite 1000  
 Denver, Colorado 80203  
 P: 303.623.6300 F: 303.623.6311  
 HarrisKocherSmith.com

PLAZA STREET PARTNERS

LINCOLN & DRANSFELDT  
 CBMP DETAILS

PROJECT #: 200829
SHEET NUMBER
10
10 OF 36

NO CHANGES ARE TO BE MADE TO THIS DRAWING WITHOUT WRITTEN PERMISSION OF HARRIS KOCHER SMITH.

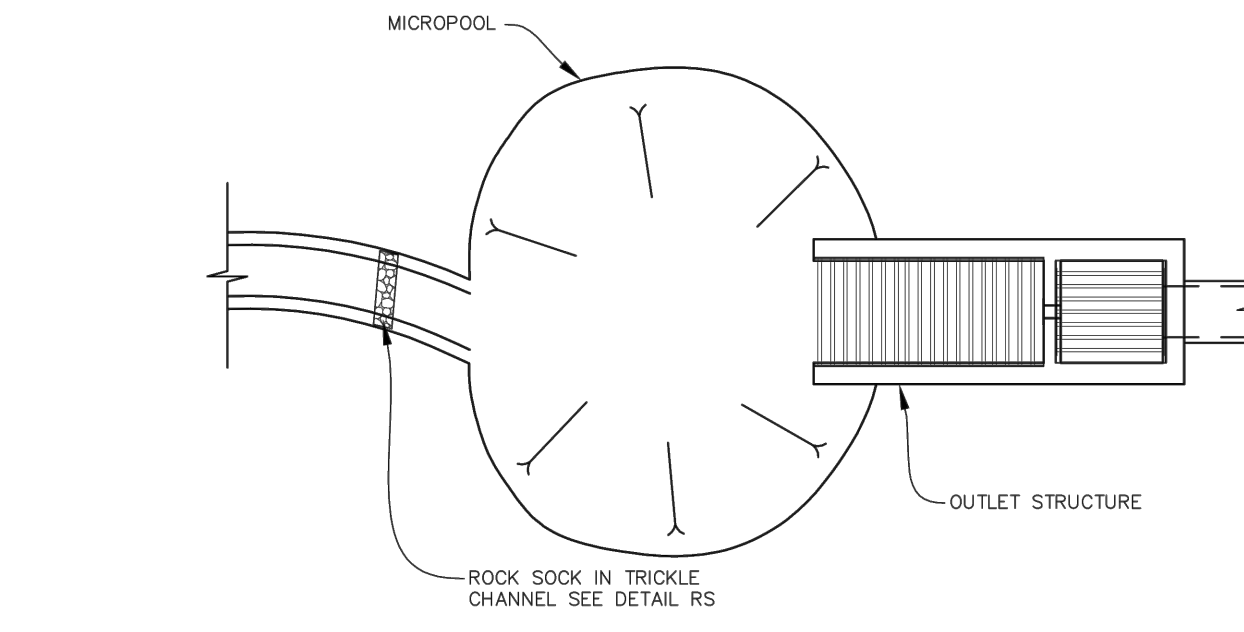
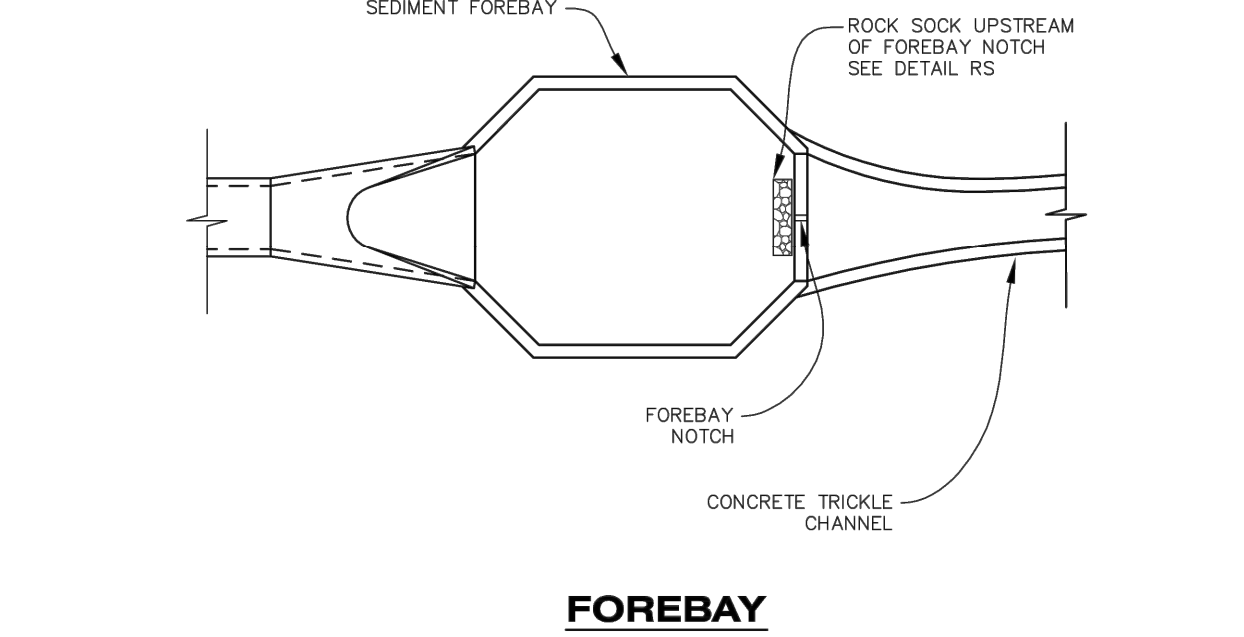
**DIVERSION DITCH INSTALLATION NOTES**

- SEE THE PLAN VIEW FOR THE LOCATION(S) OF THE DIVERSION DITCHES.
- A PLASTIC LINER, RIPRAP, OR EROSION CONTROL BLANKET MAY BE NECESSARY TO PROTECT THE DIVERSION DITCH. THE REQUIRED LINING MATERIAL SHALL BE OBTAINED FROM THE CBMP PLANS VIA THE DESIGN ENGINEER.
- ALL MATERIAL EXCAVATED FROM THE DITCH MAY BE USED TO CONSTRUCT THE BERM ON THE DOWNHILL SIDE OF THE DITCH.
- THE DIVERSION DITCH SHALL BE A MINIMUM OF 20" DEEP WITH APPROX. 3:1 SIDE SLOPES. THE ADJACENT BERM SHALL BE A MINIMUM OF 20" IN HEIGHT WITH APPROX. 3:1 SIDE SLOPES. ALL EMBANKMENTS SHALL BE FIRMLY COMPACTED.
- THE DISCHARGE FROM THE DIVERSION DITCH SHALL BE DIRECTED TOWARDS AN APPROPRIATELY SIZED TEMPORARY SEDIMENT BASIN OR OTHER APPROVED AREA.

**DIVERSION DITCH INSPECTION AND MAINTENANCE NOTES**

- THE EROSION CONTROL SUPERVISOR SHALL REGULARLY INSPECT THE DIVERSION DITCH.
- ACCUMULATED SEDIMENT SHALL BE REMOVED ONCE THE SEDIMENT HAS REACHED A DEPTH EQUAL TO 1/2 (10") THE CREST HEIGHT.
- DIVERSION DITCHES SHALL BE RE-GRADED FOLLOWING THE SIGNS OF MODERATE OR MORE SOIL EROSION OR ANY DAMAGE.
- DIVERSION DITCHES ARE TO REMAIN IN PLACE AND PROPERLY MAINTAINED UNTIL VEGETATIVE COVER HAS REACHED A CONSISTENT DENSITY OF AT LEAST 70% OF FULL VEGETATIVE COVER AND EROSION AND SEDIMENTATION IS NO LONGER A POSSIBILITY AS DETERMINED BY THE TOWN'S INSPECTOR OR AS OTHERWISE DIRECTED BY THE TOWN'S INSPECTOR. ALTERNATIVELY, THE DIVERSION DITCHES MAY BE REMOVED WHEN THE SITE'S TOPOGRAPHY CHANGES SUCH THAT SIGNIFICANT RUNOFF IS NO LONGER POSSIBLE. IN SOME INSTANCES, THE DIVERSION DITCHES MAY REMAIN IN PLACE PERMANENTLY.

**CBMP** DD  
CONSTRUCTION BEST MANAGEMENT PRACTICES 2 OF 2  
Oct. 2013



**FOREBAY**  
**OUTLET / MICROPOOL**  
**DETENTION POND PROTECTION**

**CBMP** DP  
CONSTRUCTION BEST MANAGEMENT PRACTICES 1 OF 2  
Oct. 2013

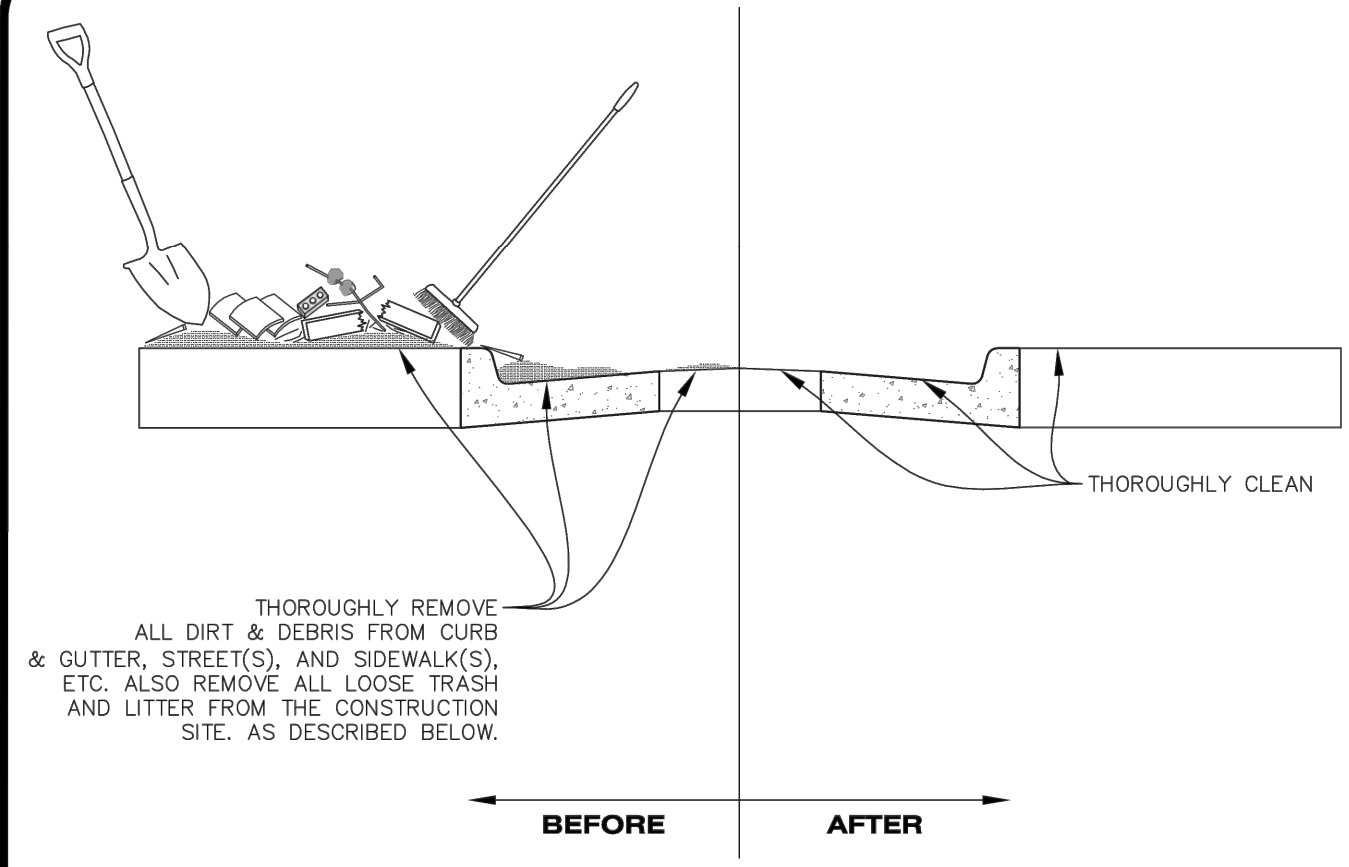
**DETENTION POND PROTECTION INSTALLATION NOTES**

- DETENTION POND PROTECTION SHALL BE INSTALLED IMMEDIATELY FOLLOWING THE CONSTRUCTION OF THE TRICKLE CHANNEL AND FOREBAY.
- CRUSHED ROCK SHALL BE 2.0"-3.0" IN SIZE WITH A FRACTURED FACE (ALL SIDES).
- ROCK SOCK FOR OUTLET STRUCTURE AND FOREBAY PROTECTION SHALL BE ONE CONTINUOUS PIECE (SEE DETAIL RS).

**DETENTION POND PROTECTION INSPECTION AND MAINTENANCE NOTES**

- THE EROSION CONTROL SUPERVISOR SHALL REGULARLY INSPECT THE OUTLET STRUCTURE PROTECTION.
- ACCUMULATED SEDIMENT SHALL BE REMOVED IMMEDIATELY.
- OUTLET STRUCTURE PROTECTION SHALL REMAIN IN PLACE AND PROPERLY MAINTAINED UNTIL VEGETATIVE COVER HAS REACHED A CONSISTENT DENSITY OF AT LEAST 70% OF FULL VEGETATIVE COVER AND EROSION AND SEDIMENTATION IS NO LONGER A POSSIBILITY AS DETERMINED BY THE TOWN'S INSPECTOR OR AS OTHERWISE DIRECTED BY THE TOWN'S INSPECTOR.

**CBMP** DP  
CONSTRUCTION BEST MANAGEMENT PRACTICES 2 OF 2  
Oct. 2013



**NOTE:**  
1. THE EROSION CONTROL SUPERVISOR IS RESPONSIBLE FOR ENSURING THAT ALL STREETS, CURBS, GUTTERS, SIDEWALKS, DRIVEWAYS, PARKING LOTS, ALLEYS, TRICKLE CHANNELS, AND/OR OTHER IMPERVIOUS SURFACES IMPACTED BY CONSTRUCTION ACTIVITIES ARE THOROUGHLY CLEANED THROUGHOUT THE DAY IF THEY BECOME SOILED. THESE AREAS MUST ALSO BE THOROUGHLY CLEAN BEFORE THE END OF THE WORK DAY. FURTHERMORE, ALL LOOSE TRASH AND LITTER ASSOCIATED WITH THE PROJECT MUST BE REMOVED AND PROPERLY DISCARDED ON A DAILY BASIS.

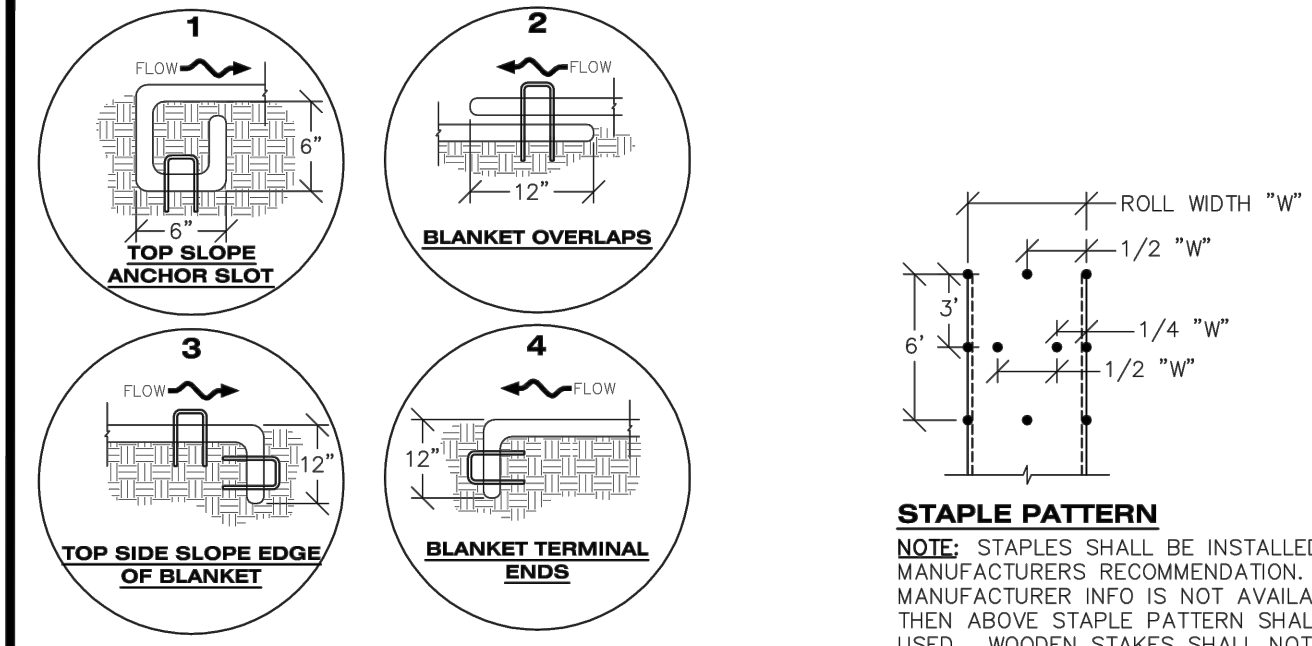
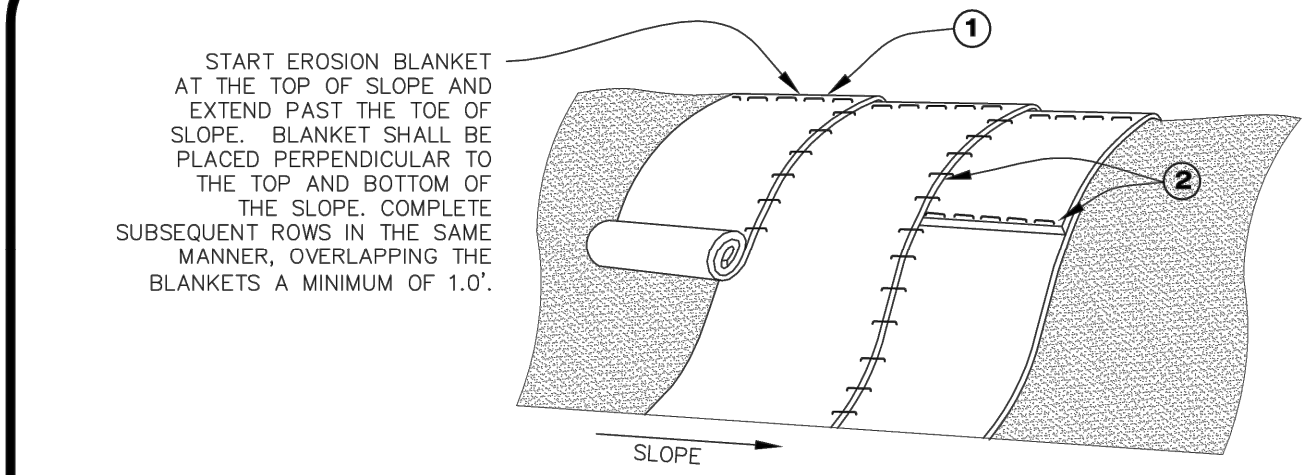
**DTC**  
**DEBRIS AND TRASH CONTROL**

**CBMP** DTC  
CONSTRUCTION BEST MANAGEMENT PRACTICES 1 OF 2  
Oct. 2013

**DEBRIS CONTROL NOTES:**

- A COMBINATION OF SURFACE SCRAPING AND SWEEPING MAY BE NECESSARY TO PROPERLY CLEAN THESE AREAS.
- ALL CHEMICAL SPILLS AND/OR STAINS ON THE SITE SHALL BE CLEANED TO THE MAXIMUM EXTENT PRACTICABLE. IN SOME CASES IT MAY BE NECESSARY TO USE PRESSURIZED WATER AND A VAC-TRUCK.
- ON-SITE PERSONNEL, DELIVERY DRIVERS, ETC., SHOULD BE EDUCATED ON THE NEED FOR CONTINUAL DEBRIS AND TRASH CONTROL.

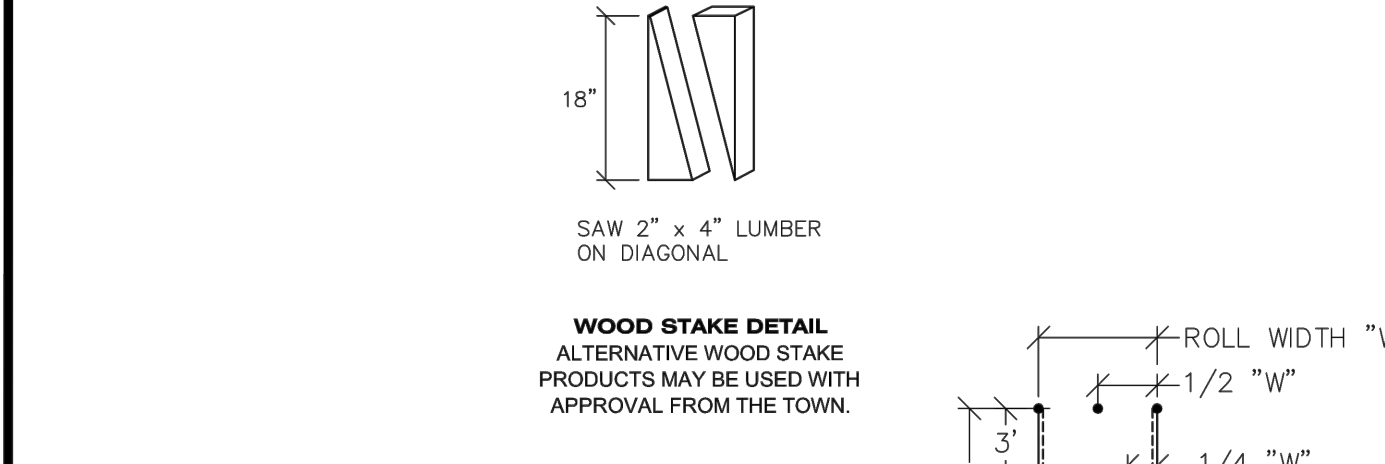
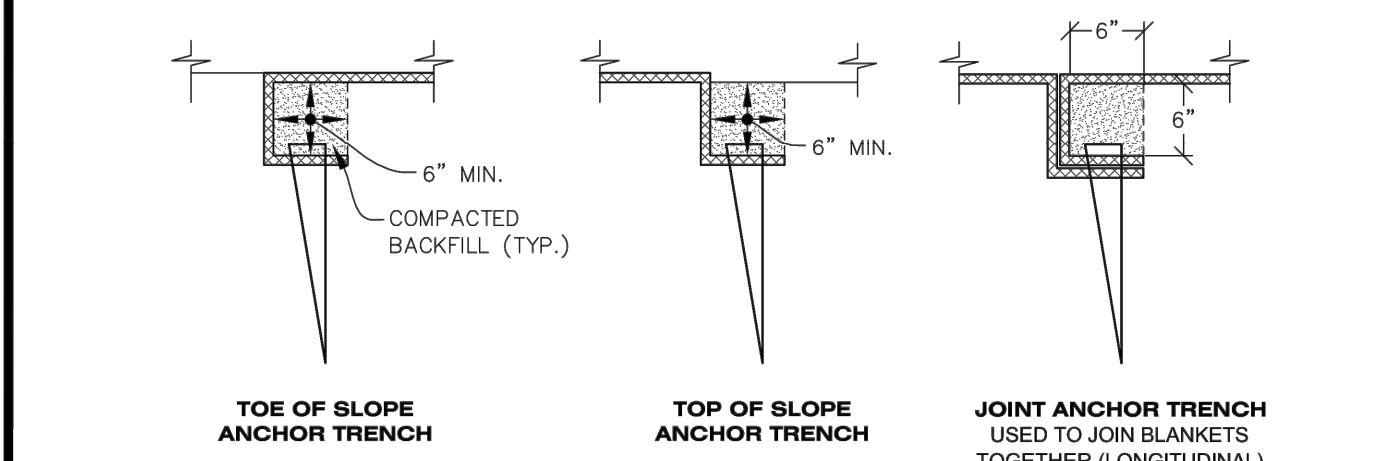
**CBMP** DTC  
CONSTRUCTION BEST MANAGEMENT PRACTICES 2 OF 2  
Oct. 2013



**NOTE:**  
WHEN NECESSARY, ALL SEEDING SHALL BE COMPLETED PRIOR TO THE PLACEMENT OF EROSION CONTROL BLANKETS. PLEASE SEE DETAIL SMC FOR SEEDING, MULCHING, AND CRIMPING REQUIREMENTS.

**ECB**  
**EROSION CONTROL BLANKET (SLOPE)**

**CBMP** ECB  
CONSTRUCTION BEST MANAGEMENT PRACTICES 1 OF 3  
Oct. 2013



- NOTES:**
- WOOD STAKES SHALL BE INSTALLED SUCH THAT ONLY 1" IS EXPOSED ABOVE THE GROUND.
  - WHEN NECESSARY, ALL SEEDING SHALL BE COMPLETED PRIOR TO THE PLACEMENT OF EROSION CONTROL BLANKETS. PLEASE SEE DETAIL SMC FOR SEEDING, MULCHING, AND CRIMPING REQUIREMENTS.

**NOTE:** STAPLES SHALL BE INSTALLED PER MANUFACTURER'S RECOMMENDATION. IF MANUFACTURER INFO IS NOT AVAILABLE THEN ABOVE STAPLE PATTERN SHALL BE USED. WOODEN STAKES SHALL NOT BE USED FOR EROSION CONTROL BLANKET ON SLOPES.

**ECB**  
**EROSION CONTROL BLANKET (CHANNEL)**

**CBMP** ECB  
CONSTRUCTION BEST MANAGEMENT PRACTICES 2 OF 3  
Oct. 2013

**EROSION CONTROL BLANKET INSTALLATION NOTES**

- SEE THE PLAN VIEW FOR THE LOCATION(S) OF THE EROSION CONTROL BLANKETS.
- EROSION CONTROL BLANKETS USED FOR CHANNEL PROTECTION SHALL BE PROPERLY SELECTED BY THE DESIGN ENGINEER BASED ON CURRENT AND FUTURE FLOW RATES WITHIN THE CHANNEL. BASED ON THESE CALCULATIONS, TURF REINFORCEMENT MATTING OR RIPRAP MAY BE NECESSARY IN LIEU OF EROSION CONTROL BLANKETS.
- IMMEDIATELY PRIOR TO BLANKET INSTALLATION, SOIL SURFACE SHALL BE SMOOTH AND FREE OF ANY GAPS, VOIDS, WEEDS, ROCKS, STICKS, OR OTHER MISCELLANEOUS DEBRIS.
- EROSION CONTROL BLANKET SHALL THEN BE INSTALLED ACCORDING TO THE DETAILED DRAWINGS.
- ANY DAMAGED OR REMAINING STAPLES OR STAKES SHALL BE REMOVED FROM THE SITE.
- ALL EROSION CONTROL BLANKETS FOR SLOPE PROTECTION INSTALLED IN THE TOWN SHALL BE DOUBLE NET, STRAW OR EXCELSIOR.

MANUFACTURER	PRODUCT NAME
NORTH AMERICAN GREEN	S150
APPROVED EQUAL	APPROVED EQUAL

**EROSION CONTROL BLANKET MAINTENANCE NOTES**

- THE EROSION CONTROL SUPERVISOR SHALL REGULARLY INSPECT THE EROSION CONTROL BLANKETS AND MAKE ANY NECESSARY REPAIRS.

**CBMP** ECB  
CONSTRUCTION BEST MANAGEMENT PRACTICES 3 OF 3  
Oct. 2013

FILE PATH: K:\200829\ENGINEERING\EROSION- CBMP DETAILS 3.DWG LAYOUT: LAYOUT1  
NO SCALE  
PLOTTED: TUE 11/23/21 2:03:17P BY: TIM HOFFMAN



Know what's below.  
Call before you dig.

DESIGNED BY: MJS  
CHECKED BY: RCP  
DRAWN BY: MJS

ISSUE DATE: 07-30-2021	
DATE	REVISION COMMENTS

**HKS HARRIS KOCHER SMITH**  
1120 Lincoln Street, Suite 1000  
Denver, Colorado 80203  
P: 303.623.6300 F: 303.623.6311  
HarrisKocherSmith.com

PLAZA STREET PARTNERS

LINCOLN & DRANSFELDT  
CBMP DETAILS

PROJECT #: 200829  
SHEET NUMBER

11

11 OF 36

NO CHANGES ARE TO BE MADE TO THIS DRAWING WITHOUT WRITTEN PERMISSION OF HARRIS KOCHER SMITH.

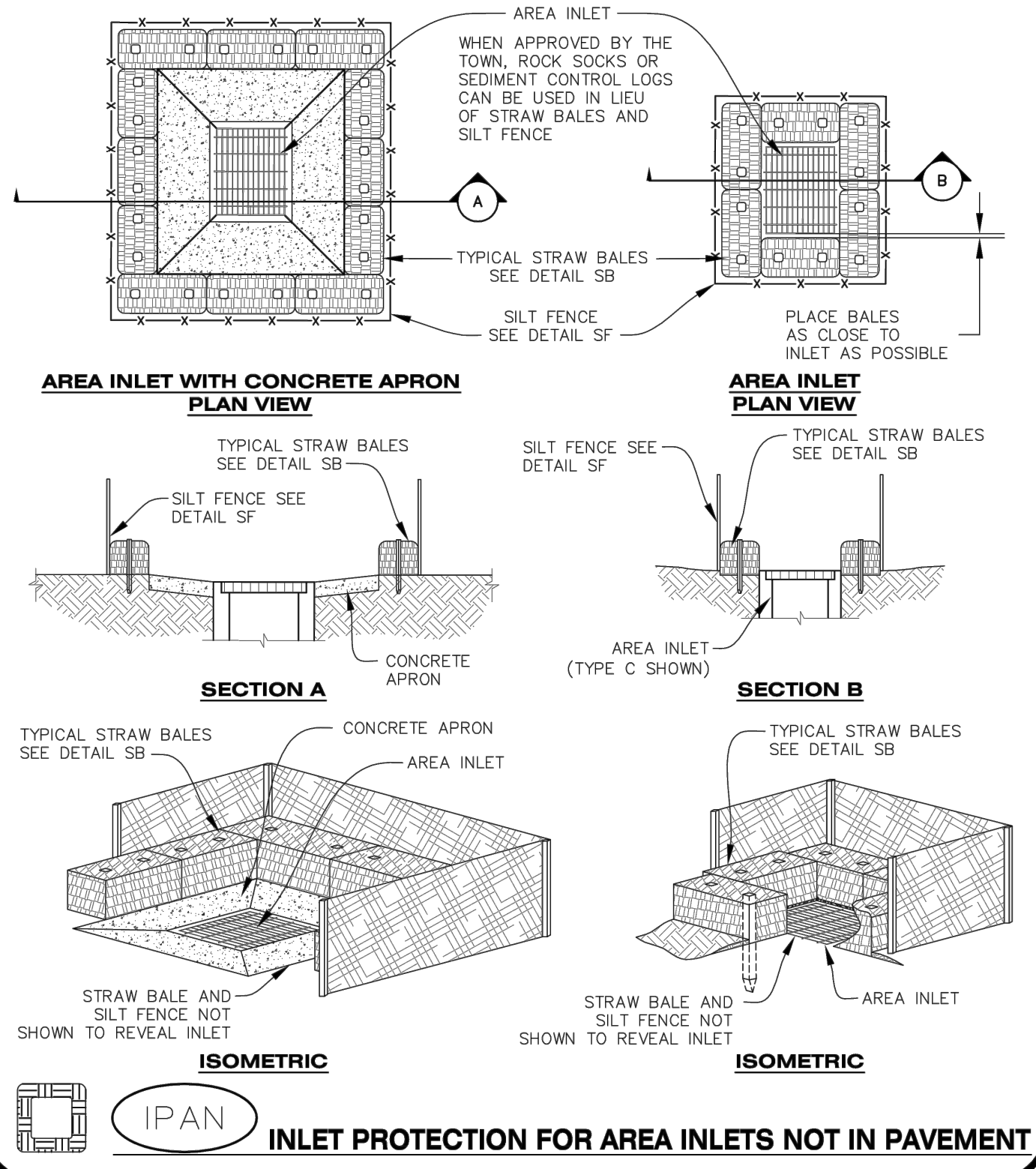
**AREA INLET PROTECTION INSTALLATION NOTES**

1. SEE PLAN VIEW FOR LOCATION(S) OF AREA INLET PROTECTION.
2. THE AREA INLET PROTECTION SHOWN ON CBMP PLANS SHALL BE INSTALLED ON EXISTING INLETS PRIOR TO ANY LAND DISTURBING ACTIVITIES OR IMMEDIATELY AFTER THE INSTALLATION OF NEW INLETS. AN INTERIM STYLE OF INLET PROTECTION MAY BE ALLOWED UNTIL THE INSTALLATION OF THE GUTTER AND/OR PAVEMENT.

**AREA INLET PROTECTION INSPECTION AND MAINTENANCE NOTES**

1. THE EROSION CONTROL SUPERVISOR SHALL REGULARLY INSPECT THE AREA INLET PROTECTION.
2. AREA INLET PROTECTION SHALL REMAIN IN PLACE AND PROPERLY MAINTAINED UNTIL VEGETATIVE COVER HAS REACHED A CONSISTENT DENSITY OF AT LEAST 70% OF FULL VEGETATIVE COVER AND EROSION AND SEDIMENTATION IS NO LONGER A POSSIBILITY AS DETERMINED BY THE TOWN'S INSPECTOR OR AS OTHERWISE DIRECTED BY THE TOWN'S INSPECTOR.
3. WHEN THE AREA INLET PROTECTION IS REMOVED, ANY DISTURBED AREAS ASSOCIATED WITH THE INSTALLATION, MAINTENANCE, AND/OR REMOVAL OF THE AREA INLET PROTECTION MAY NEED TO BE ROUGHENED, SEEDED, MULCHED, AND CRIMPED PER THE TOWN'S SPECIFICATIONS (SEE DETAIL SMC).
4. ACCUMULATED SEDIMENT SHALL BE REMOVED AS SOON AS POSSIBLE, IMMEDIATELY IN MOST CASES.

THIS METHOD OF INLET PROTECTION SHALL NOT BE USED ON INLETS RECEIVING SIGNIFICANT FLOWS, SUCH AS IN CERTAIN SWALES/CHANNELS OR HIGHWAY MEDIANS. INLET PROTECTION FOR AREA INLETS IN PAVEMENT (SEE DETAIL IPAP) SHALL BE USED IN THESE CONDITIONS.



**CBMP** CONSTRUCTION BEST MANAGEMENT PRACTICES  
**IPA** 1 OF 1 Oct. 2013

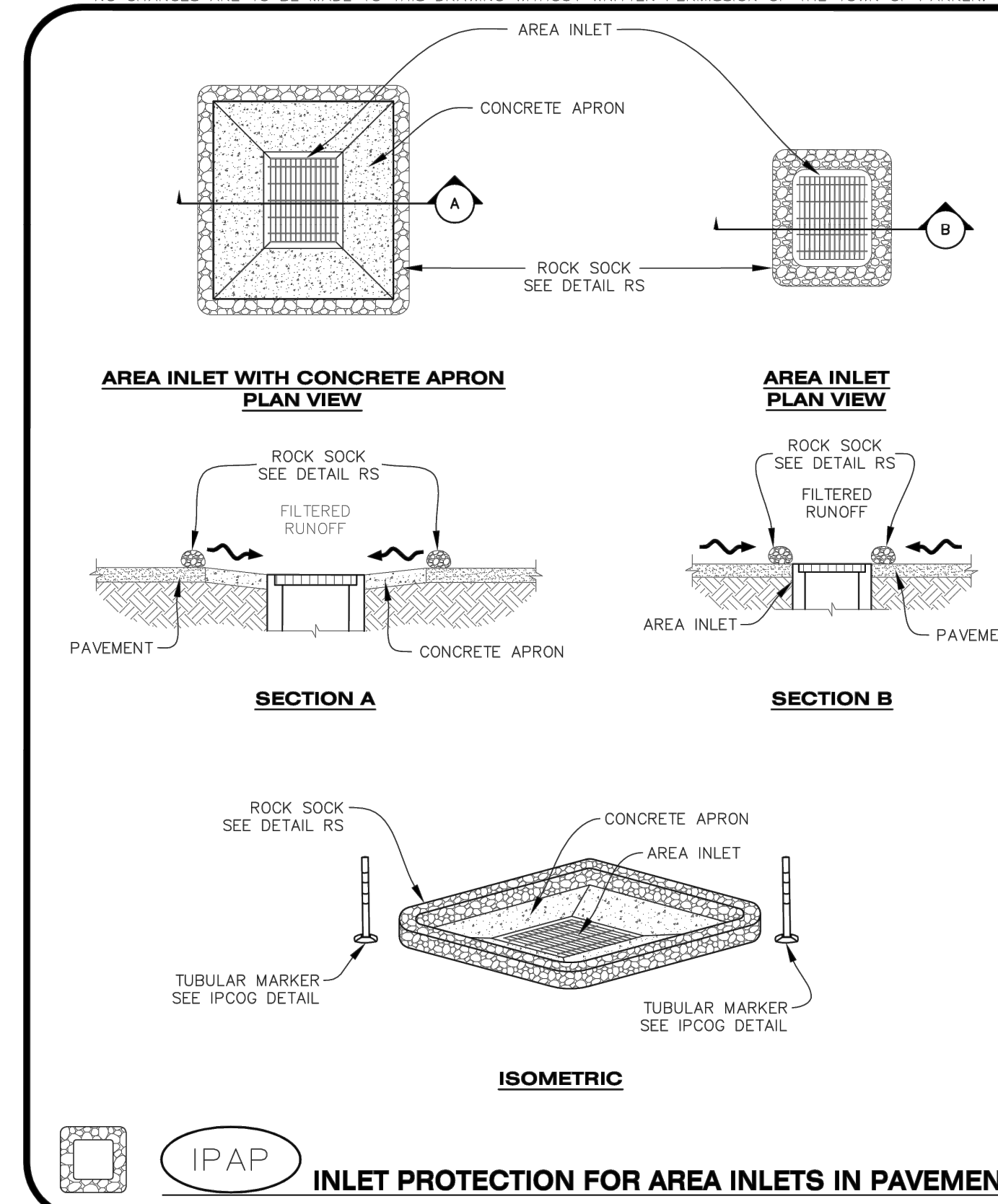
**CBMP** CONSTRUCTION BEST MANAGEMENT PRACTICES  
**IPAN** 1 OF 1 Oct. 2013

**AREA INLET PROTECTION INSTALLATION NOTES**

1. SEE PLAN VIEW FOR LOCATION(S) OF AREA INLET PROTECTION.
2. THE AREA INLET PROTECTION SHOWN ON CBMP PLANS SHALL BE INSTALLED ON EXISTING INLETS PRIOR TO ANY LAND DISTURBING ACTIVITIES OR IMMEDIATELY AFTER THE INSTALLATION OF NEW INLETS. AN INTERIM STYLE OF INLET PROTECTION MAY BE ALLOWED UNTIL THE INSTALLATION OF THE GUTTER AND/OR PAVEMENT.

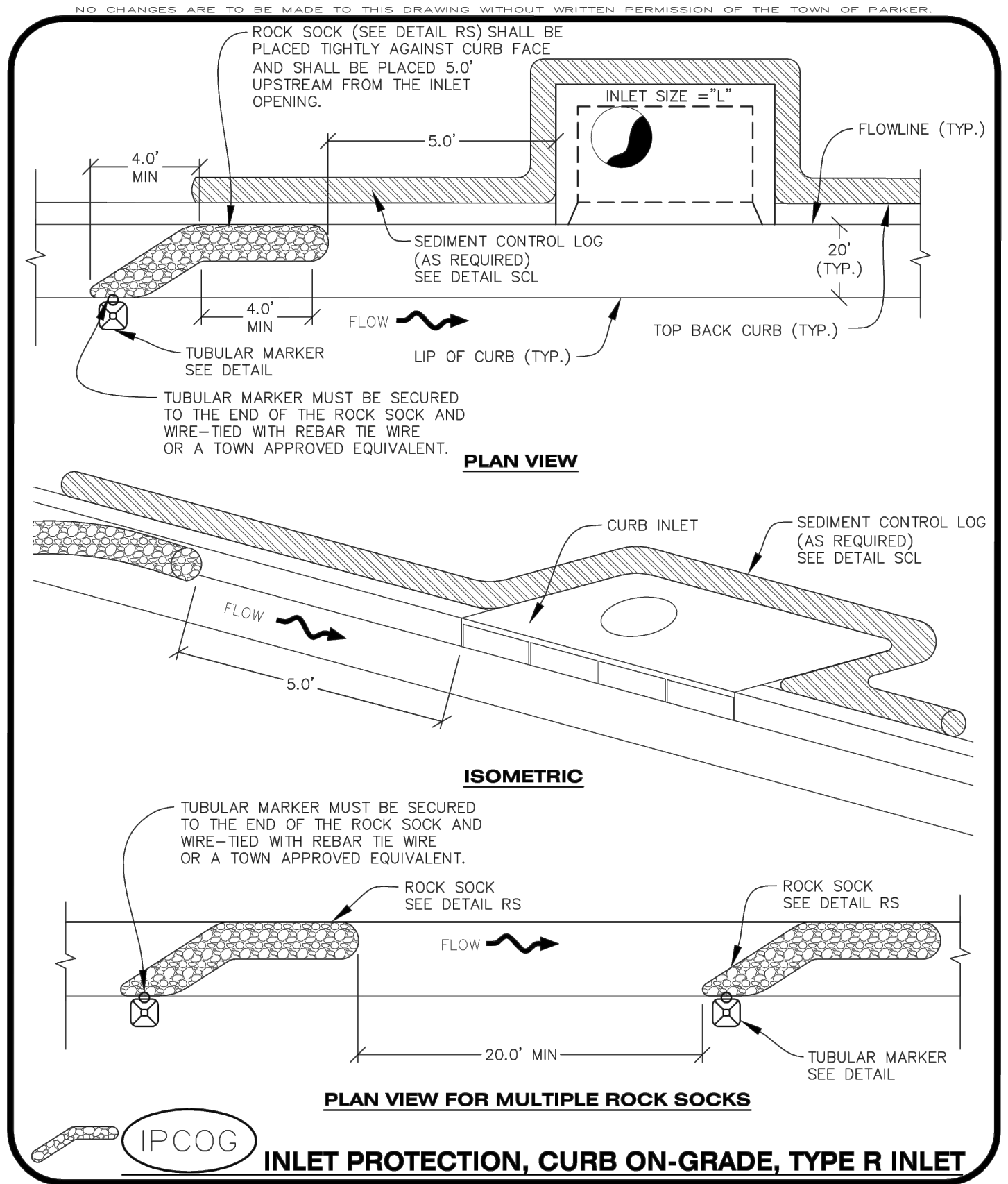
**AREA INLET PROTECTION INSPECTION AND MAINTENANCE NOTES**

1. THE EROSION CONTROL SUPERVISOR SHALL REGULARLY INSPECT THE AREA INLET PROTECTION.
2. AREA INLET PROTECTION SHALL REMAIN IN PLACE AND PROPERLY MAINTAINED UNTIL VEGETATIVE COVER HAS REACHED A CONSISTENT DENSITY OF AT LEAST 70% OF FULL VEGETATIVE COVER AND EROSION AND SEDIMENTATION IS NO LONGER A POSSIBILITY AS DETERMINED BY THE TOWN'S INSPECTOR OR AS OTHERWISE DIRECTED BY THE TOWN'S INSPECTOR.
3. WHEN THE AREA INLET PROTECTION IS REMOVED, ANY DISTURBED AREAS ASSOCIATED WITH THE INSTALLATION, MAINTENANCE, AND/OR REMOVAL OF THE AREA INLET PROTECTION MAY NEED TO BE ROUGHENED, SEEDED, MULCHED, AND CRIMPED PER THE TOWN'S SPECIFICATIONS (SEE DETAIL SMC).
4. ACCUMULATED SEDIMENT SHALL BE REMOVED AS SOON AS POSSIBLE, IMMEDIATELY IN MOST CASES.

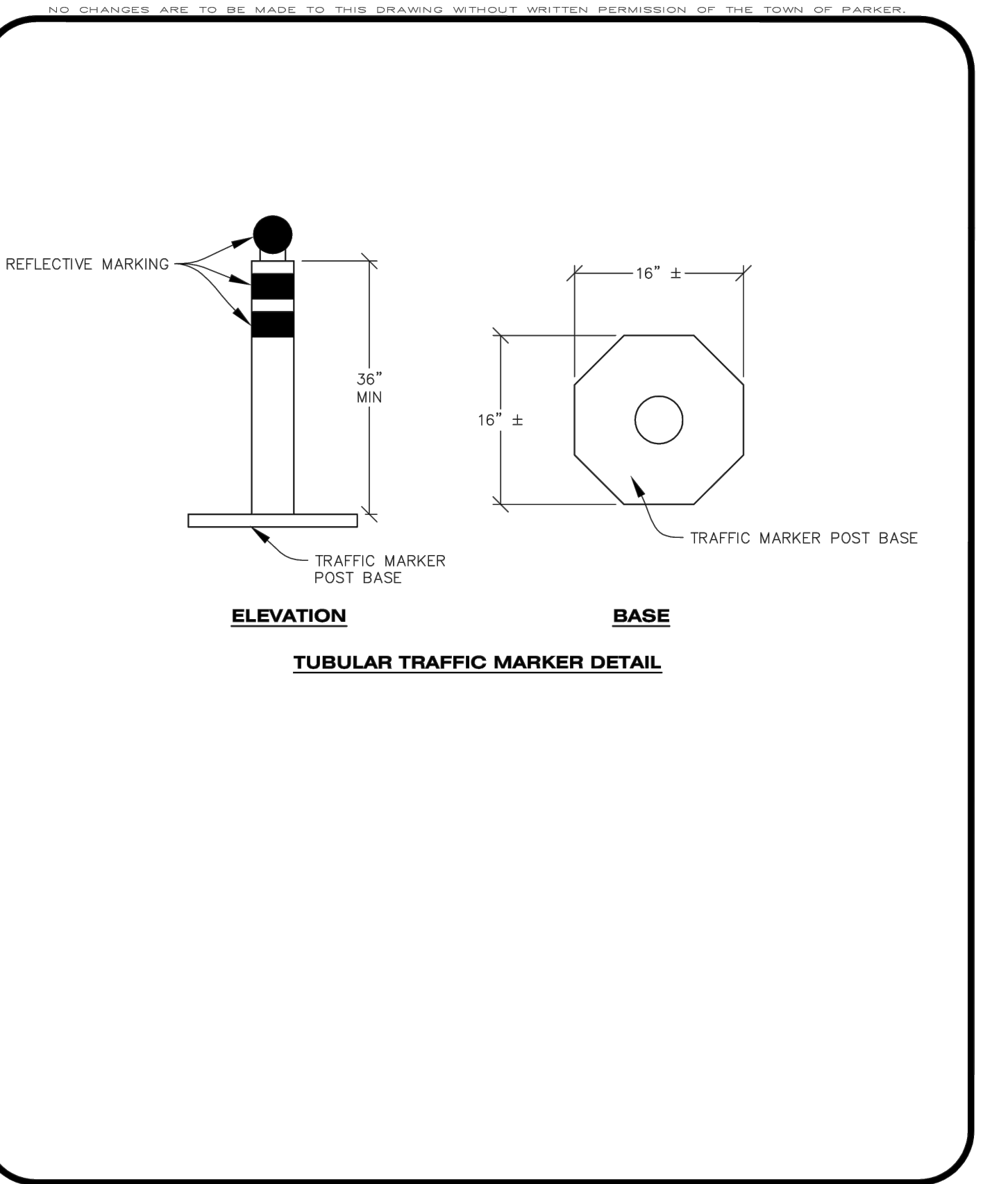


**CBMP** CONSTRUCTION BEST MANAGEMENT PRACTICES  
**IPAP** 1 OF 1 Oct. 2013

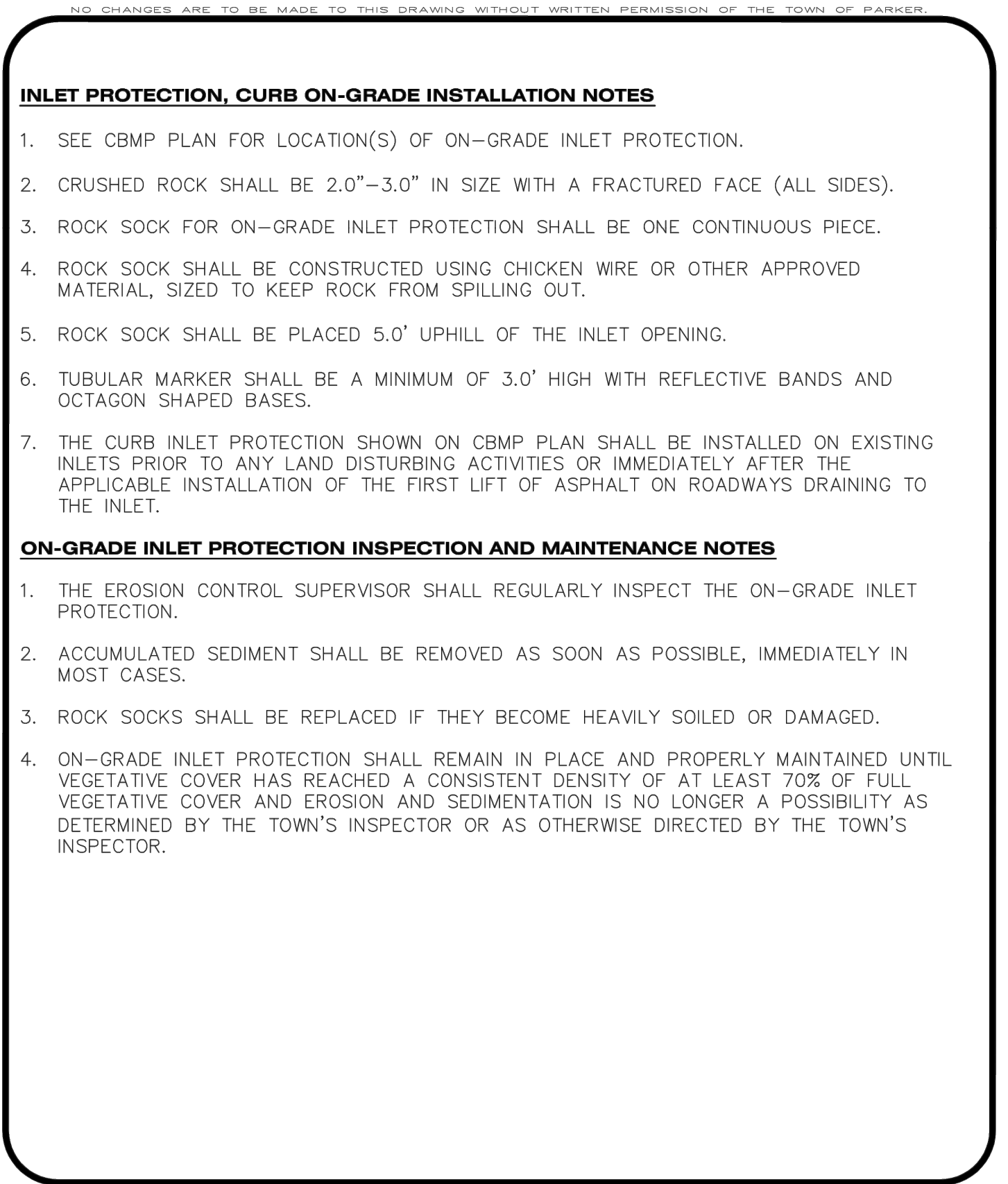
**CBMP** CONSTRUCTION BEST MANAGEMENT PRACTICES  
**IPAP** 1 OF 1 Oct. 2013



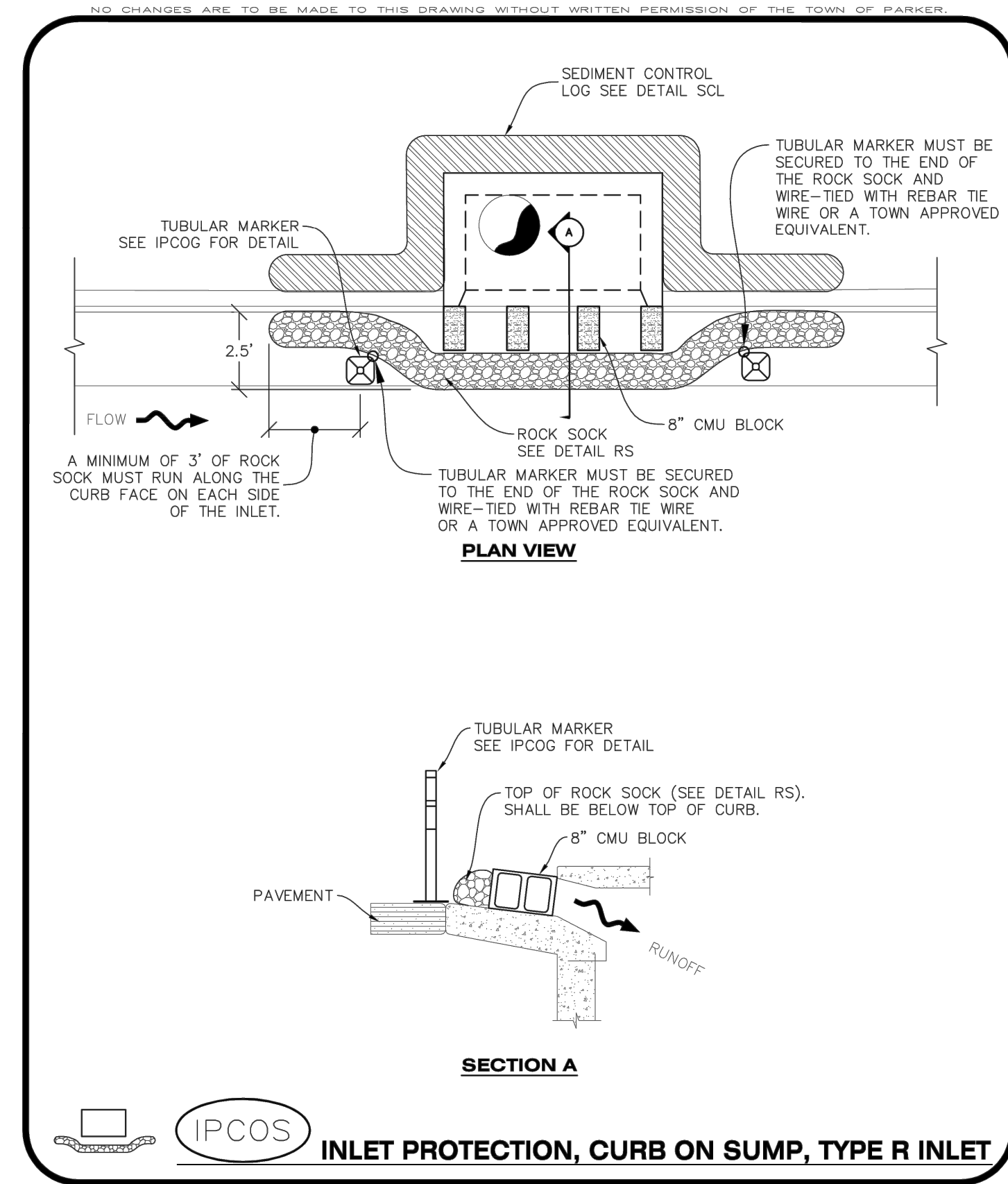
**CBMP** CONSTRUCTION BEST MANAGEMENT PRACTICES  
**IPCOG** 1 OF 3 Oct. 2013



**CBMP** CONSTRUCTION BEST MANAGEMENT PRACTICES  
**IPCOG** 2 OF 3 Oct. 2013



**CBMP** CONSTRUCTION BEST MANAGEMENT PRACTICES  
**IPCOG** 3 OF 3 Oct. 2013



**CBMP** CONSTRUCTION BEST MANAGEMENT PRACTICES  
**IPCOG** 1 OF 2 Oct. 2013

FILE PATH: K:\200829\ENGINEERING\EROSION-CD - CBMP DETAILS.dwg LAYOUT: LAYOUT1  
NO SCALE  
PLOTTED: TUE 11/23/21 2:03:27P BY: TIM HOFFMAN



DESIGNED BY: MJS
CHECKED BY: RCP
DRAWN BY: MJS

ISSUE DATE: 07-30-2021	
DATE	REVISION COMMENTS

**HKS HARRIS KOCHER SMITH**  
 1120 Lincoln Street, Suite 1000  
 Denver, Colorado 80203  
 P: 303.623.6300 F: 303.623.6311  
 HanskocherSmith.com

PLAZA STREET PARTNERS

LINCOLN & DRANSFELDT  
CBMP DETAILS

PROJECT #: 200829  
 SHEET NUMBER  
**12**  
 12 OF 36

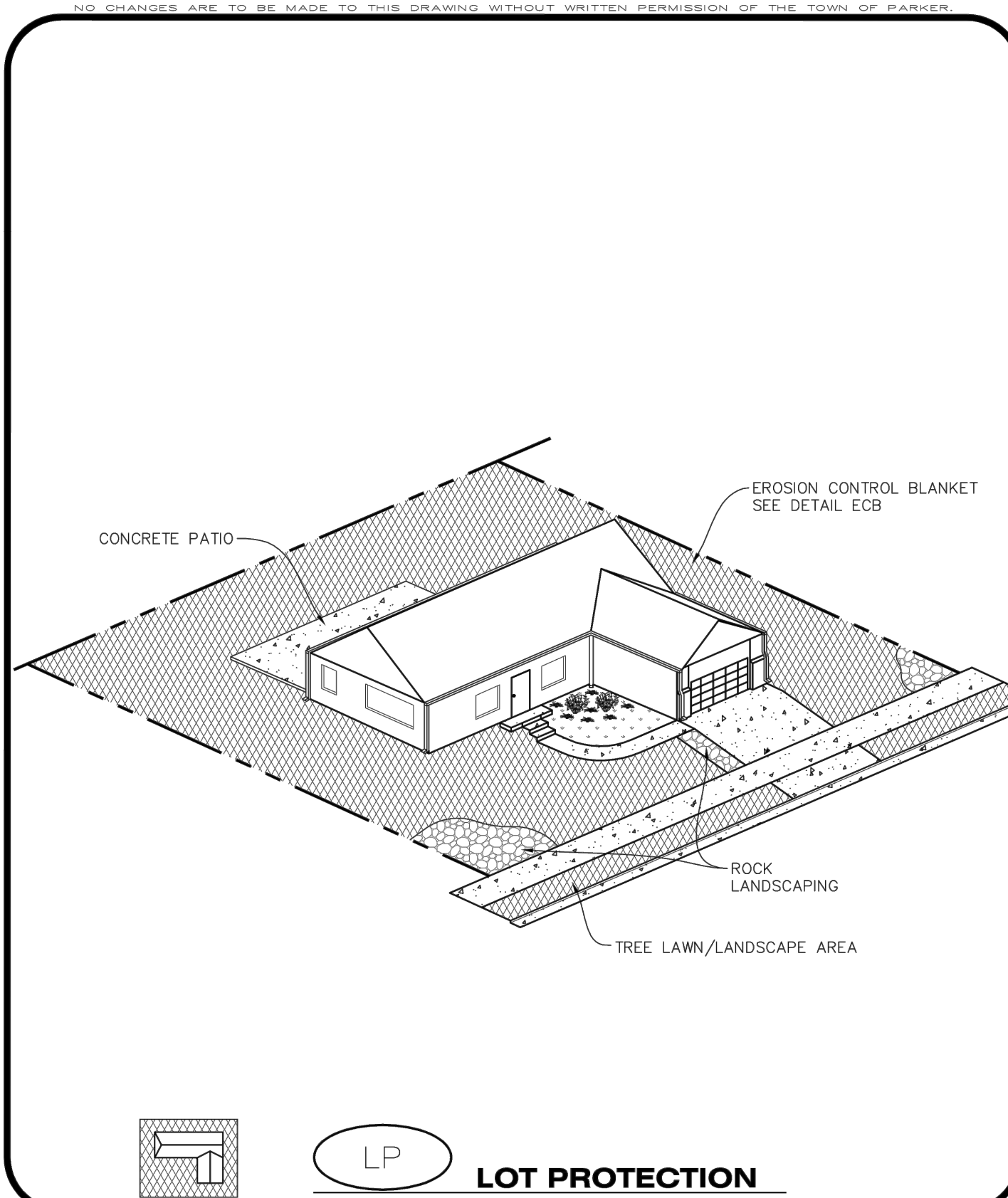
NO CHANGES ARE TO BE MADE TO THIS DRAWING WITHOUT WRITTEN PERMISSION OF HARRIS KOCHER SMITH.

**CURB INLET PROTECTION INSTALLATION NOTES**

- SEE CBMP PLAN FOR LOCATION(S) OF CURB INLET PROTECTION.
- CRUSHED ROCK SHALL BE 2.0"-3.0" IN SIZE WITH A FRACTURED FACE (ALL SIDES).
- ROCK SOCK SHALL BE ONE CONTINUOUS PIECE OR SHALL BE CONSTRUCTED USING WIRE WRAPPED JOINTS (SEE DETAIL RS).
- ROCK SOCK SHALL BE CONSTRUCTED USING CHICKEN WIRE OR OTHER APPROVED MATERIAL SIZED TO KEEP ROCK FROM SPILLING OUT.
- ROCK SOCK SHALL EXTEND 3.0' ALONG THE CURB BEYOND LOCATIONS WHERE IT RETURNS TO CONTACT CURB FACE.
- TUBULAR TRAFFIC MARKERS SHALL BE A MINIMUM OF 36" IN HEIGHT WITH REFLECTIVE BANDS AND OCTAGON SHAPED BASES.
- THE CURB INLET PROTECTION SHOWN ON CBMP PLAN SHALL BE INSTALLED ON EXISTING INLETS PRIOR TO ANY LAND DISTURBING ACTIVITIES OR IMMEDIATELY AFTER THE INSTALLATION OF THE FIRST LIFT OF ASPHALT ON ROADWAYS DRAINING TO THE CURB INLET. CMU BLOCKS OR THE ROCK SOCK SHALL BE USED AS INTERIM PROTECTION UNTIL THE FIRST LIFT OF ASPHALT IS INSTALLED.

**CURB INLET PROTECTION INSPECTION AND MAINTENANCE NOTES**

- THE EROSION CONTROL SUPERVISOR SHALL REGULARLY INSPECT THE CURB INLET PROTECTION.
- ACCUMULATED SEDIMENT SHALL BE REMOVED AS SOON AS POSSIBLE, IMMEDIATELY IN MOST CASES.
- ROCK SOCKS SHALL BE REPLACED IF THEY BECOME HEAVILY SOILED OR DAMAGED.
- CURB INLET PROTECTION SHALL REMAIN IN PLACE AND PROPERLY MAINTAINED UNTIL VEGETATIVE COVER HAS REACHED A CONSISTENT DENSITY OF AT LEAST 70% OF FULL VEGETATIVE COVER AND EROSION AND SEDIMENTATION IS NO LONGER A POSSIBILITY AS DETERMINED BY THE TOWN'S INSPECTOR OR AS OTHERWISE DIRECTED BY THE TOWN'S INSPECTOR.



**LP LOT PROTECTION**

**CBMP** | **IPCOS**  
CONSTRUCTION BEST MANAGEMENT PRACTICES | 2 OF 2  
Oct. 2013

**EROSION CONTROL BLANKET FOR LOT PROTECTION INSTALLATION NOTES**

- ALL EROSION CONTROL BLANKETS FOR LOT PROTECTION INSTALLED IN THE TOWN SHALL MEET THE FOLLOWING MINIMUM REQUIREMENTS:

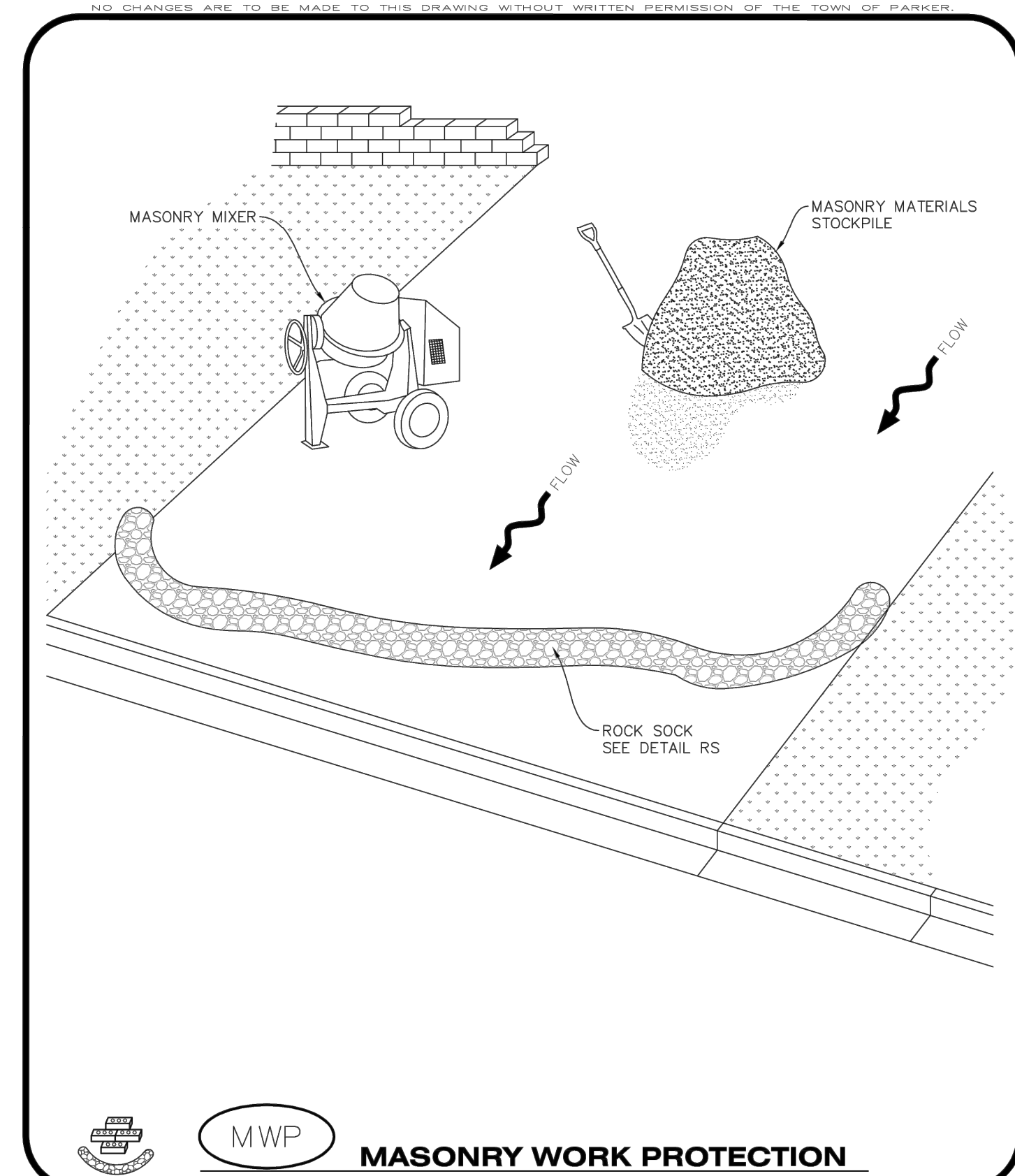
MANUFACTURER	PRODUCT NAME
NORTH AMERICAN GREEN	ST50 BN
APPROVED EQUAL	APPROVED EQUAL

- ALL EROSION CONTROL BLANKETS FOR LOT PROTECTION SHALL BE INSTALLED ACCORDING TO THE DETAIL DRAWINGS, WITH THE FOLLOWING ALLOWANCES AND ADDITIONS:
  - THE TOWN WILL ALLOW THE USE OF BIODEGRADABLE, EROSION CONTROL BLANKET-SPECIFIC STAPLES, IN LIEU OF TRADITIONAL METAL STAPLES.
  - ALL EROSION CONTROL BLANKET EDGES (SIDES AND ENDS) MUST OVERLAP THE ADJACENT BLANKET BY A MINIMUM OF 6-INCHES WITH THE UP-GRADE EDGES BEING PLACED ON TOP OF THE DOWN-GRADE EDGE OF THE ADJACENT BLANKET.
  - THE EDGES (SIDES AND ENDS) OF THE EROSION CONTROL BLANKETS DO NOT NEED TO BE TRENCHED INTO THE GROUND ASSUMING THE SITE CONDITIONS WILL NOT CAUSE EROSION BENEATH THE BLANKETS. THESE ASSUMPTIONS WILL BE THE RESPONSIBILITY OF THE EROSION CONTROL SUPERVISOR. ON OCCASION, THE TOWN'S INSPECTOR MAY REQUEST TRENCHING BASED UPON SITE CONDITIONS.
  - TOPSOIL PLACEMENT, SEEDING, AND MULCHING WILL NOT BE REQUIRED ON THE LOTS PRIOR TO THE INSTALLATION OF THE EROSION CONTROL BLANKET.
- ANY DAMAGED OR EXCESS STAPLES SHALL BE REMOVED FROM THE SITE FOLLOWING INSTALLATION.
- THE EROSION CONTROL BLANKETING REQUIRED AS PART OF THE LOT PROTECTION (LP) REQUIREMENT MUST BE INSTALLED OVER ALL UN-LANDSCAPED AREAS WITHIN EACH RESIDENTIAL, MULTI-FAMILY, AND COMMERCIAL LOT PRIOR TO THE ISSUANCE OF A CERTIFICATE OF OCCUPANCY / TEMPORARY CERTIFICATE OF OCCUPANCY.

**EROSION CONTROL BLANKET FOR LOT PROTECTION MAINTENANCE NOTES**

- THE EROSION CONTROL SUPERVISOR SHALL REGULARLY INSPECT THE EROSION CONTROL BLANKET FOR LOT PROTECTION.
- EROSION CONTROL BLANKETS FOR LOT PROTECTION ARE INTENDED TO REMAIN IN PLACE AND MAINTAINED UNTIL LANDSCAPING IS INSTALLED.

**CBMP** | **LP**  
CONSTRUCTION BEST MANAGEMENT PRACTICES | 2 OF 2  
Oct. 2013



**MWP MASONRY WORK PROTECTION**

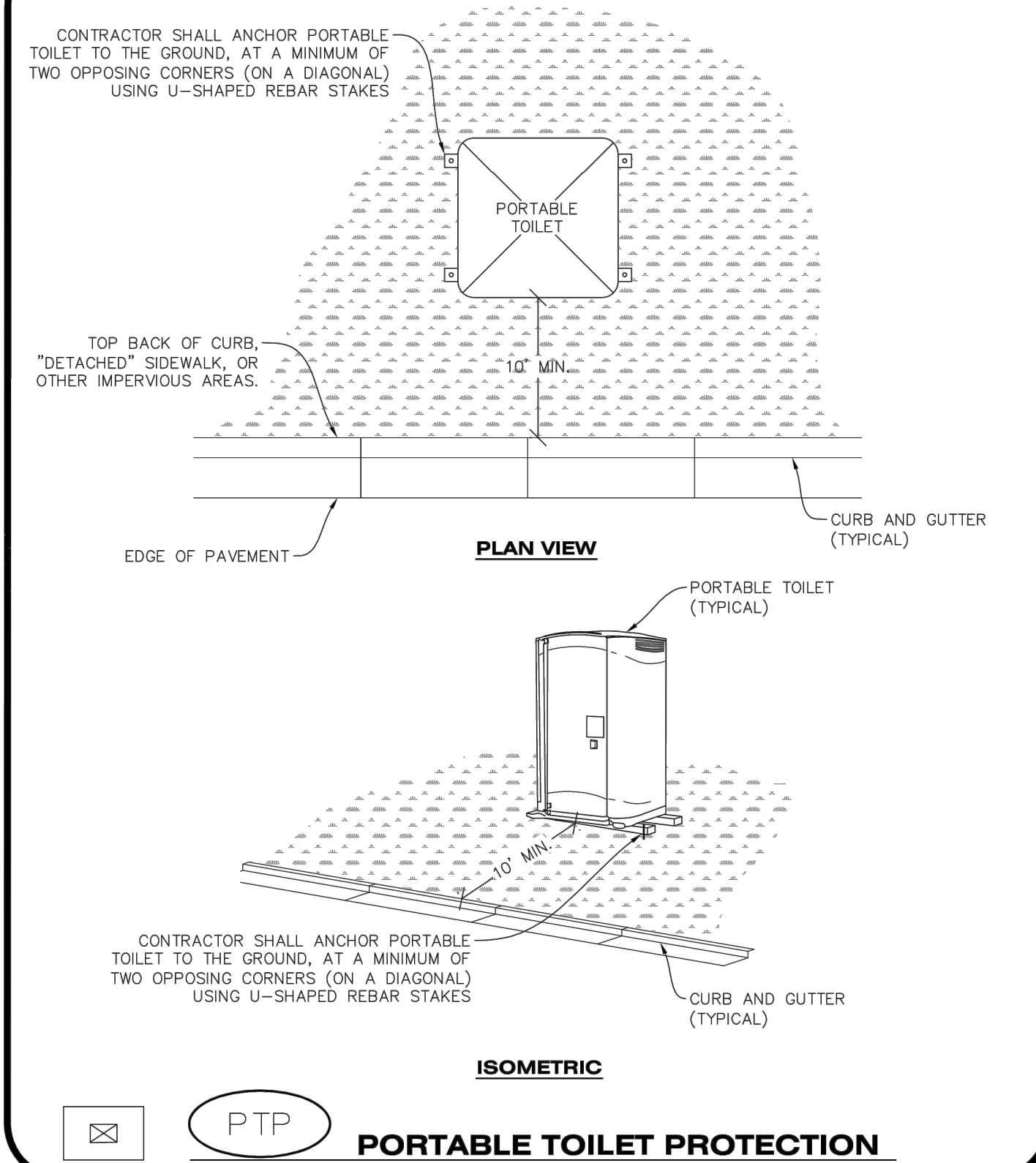
**CBMP** | **MWP**  
CONSTRUCTION BEST MANAGEMENT PRACTICES | 1 OF 2  
Oct. 2013

**MASONRY WORK PROTECTION INSTALLATION NOTES**

- MASONRY WORK PROTECTION MAY NEED TO BE INSTALLED WHEN MASONRY WORK AND MIXING IS OCCURRING.
- A ROCK SOCK SHALL BE INSTALLED IN A CRESCENT SHAPE ON THE DOWNHILL SIDE OF THE MASONRY WORK AND MIXER.
- CRUSHED ROCK SHALL BE 2.0"-3.0" IN SIZE WITH A FRACTURED FACE (ALL SIDES).
- ROCK SOCK SHALL BE ONE CONTINUOUS PIECE OR SHALL BE CONSTRUCTED USING WIRE WRAPPED JOINTS (SEE DETAIL RS).
- ROCK SOCK SHALL BE CONSTRUCTED USING CHICKEN WIRE OR OTHER APPROVED MATERIAL, SIZED TO KEEP ROCK FROM SPILLING OUT.

**MASONRY WORK PROTECTION INSPECTION AND MAINTENANCE NOTES**

- THE EROSION CONTROL SUPERVISOR SHALL REGULARLY INSPECT THE MASONRY WORK PROTECTION.
- ALL CONCRETE WASTE SHALL BE REGULARLY CLEANED AND PLACED IN THE CONCRETE WASH OUT AREA.
- ROCK SOCKS SHALL BE REPLACED IF THEY BECOME HEAVILY SOILED OR DAMAGED.



**PTP PORTABLE TOILET PROTECTION**

**CBMP** | **PTP**  
CONSTRUCTION BEST MANAGEMENT PRACTICES | 1 OF 2  
Oct. 2013

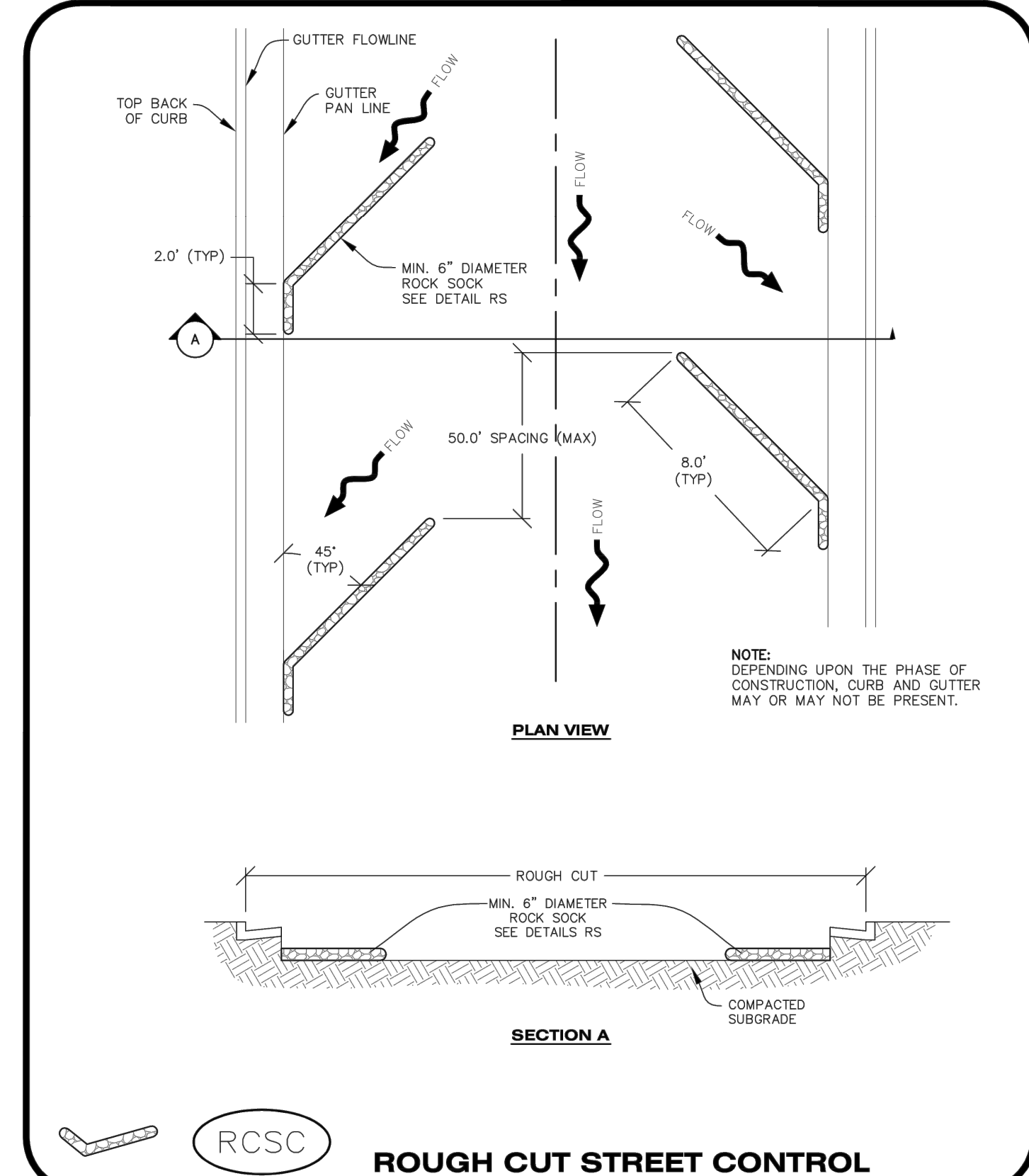
**PORTABLE TOILET PROTECTION INSTALLATION NOTES**

- PORTABLE TOILETS SHALL BE PLACED A MINIMUM OF 10.0' BEHIND ALL CURBS, SIDEWALKS, AND OTHER IMPERVIOUS AREAS.
- ALL PORTABLE TOILETS MUST BE GROUPED TOGETHER.
- PORTABLE TOILETS SHALL BE SECURELY ANCHORED TO THE GROUND USING U-SHAPED REBAR STAKES.
- U-SHAPED REBAR STAKES SHALL BE POSITIONED ON AT LEAST 2 OPPOSING (DIGITAL) CORNERS.

**PORTABLE TOILET PROTECTION INSPECTION AND MAINTENANCE NOTES**

- THE EROSION CONTROL SUPERVISOR SHALL REGULARLY INSPECT THE PORTABLE TOILET PROTECTION.
- PORTABLE TOILETS SHALL BE SERVICED AT THE NECESSARY INTERVALS TO ELIMINATE THE POSSIBILITY OF OVERFLOW.
- WHEN THE PORTABLE TOILETS ARE REMOVED, ANY DISTURBED AREAS ASSOCIATED WITH THE INSTALLATION, MAINTENANCE, AND/OR REMOVAL OF THE TOILETS MAY NEED TO BE LANDSCAPED OR ROUGHENED, SEEDED, MULCHED, AND CRIMPED PER THE TOWN'S SPECIFICATIONS (SEE DETAIL SMC).
- PORTABLE TOILETS THAT ARE NOT CONSISTENTLY MAINTAINED IN ACCORDANCE WITH THESE REQUIREMENTS MAY NEED TO BE CLUSTERED TOGETHER, IN ONE CENTRALIZED LOCATION IN ORDER TO INCREASE COMPLIANCE AND REDUCE THE CHANCE OF A SPILL.

**CBMP** | **PTP**  
CONSTRUCTION BEST MANAGEMENT PRACTICES | 2 OF 2  
Oct. 2013



**RCSC ROUGH CUT STREET CONTROL**

**CBMP** | **RCSC**  
CONSTRUCTION BEST MANAGEMENT PRACTICES | 1 OF 2  
Oct. 2013

FILE PATH: K:\200829\ENGINEERING\EROSION- CBMP DETAILS & DWG LAYOUT LAYOUT1  
NO SCALE  
PLOTTED: TUE 11/23/21 2:03:37P BY: TIM HOFFMAN



DESIGNED BY: MJS  
CHECKED BY: RCP  
DRAWN BY: MJS

ISSUE DATE: 07-30-2021	
DATE	REVISION COMMENTS



1120 Lincoln Street, Suite 1000  
Denver, Colorado 80203  
P: 303.623.6300 F: 303.623.6311  
HarrisKocherSmith.com

PLAZA STREET PARTNERS

LINCOLN & DRANSFELDT  
CBMP DETAILS

PROJECT #: 200829  
SHEET NUMBER  
**13**  
13 OF 36

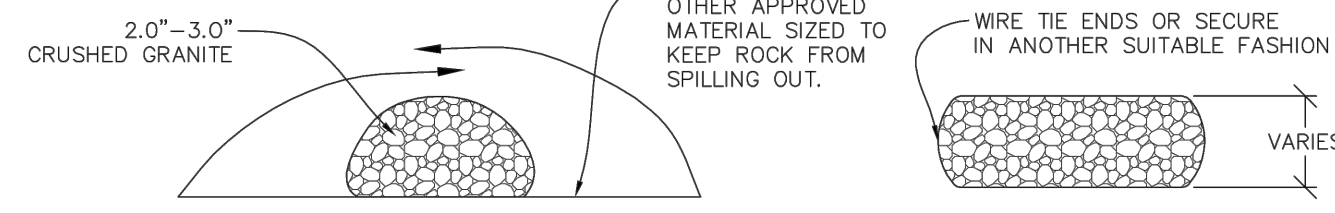
NO CHANGES ARE TO BE MADE TO THIS DRAWING WITHOUT WRITTEN PERMISSION OF HARRIS KOCHER SMITH.

**ROUGH CUT STREET CONTROL INSTALLATION NOTES**

- SEE CBMP PLAN FOR LOCATION(S) OF ROUGH CUT STREET CONTROL.
- THE SPACING OF THE ROUGH CUT STREET CONTROL MAY BE DETERMINED BY THE DESIGN ENGINEER AND SHOWN ON THE CBMP PLAN.

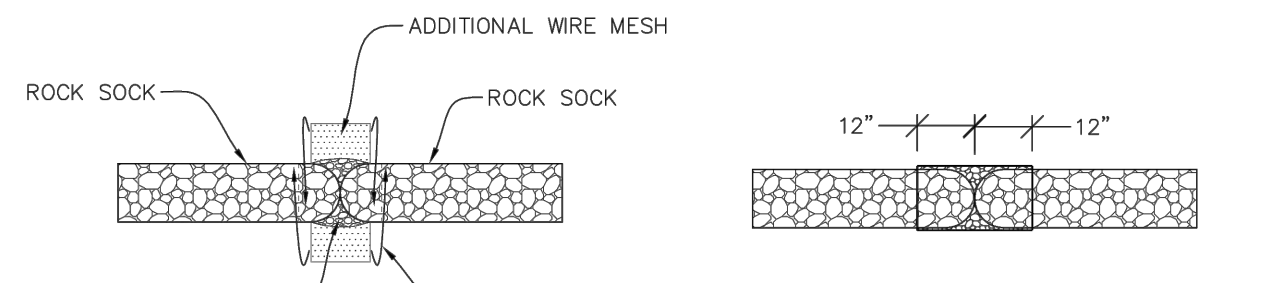
**ROUGH CUT STREET CONTROL INSPECTION AND MAINTENANCE NOTES**

- THE EROSION CONTROL SUPERVISOR SHALL REGULARLY INSPECT THE ROUGH CUT STREET CONTROL.
- ACCUMULATED SEDIMENT SHALL BE REMOVED WHEN THE SEDIMENT DEPTH IS 1/2 THE HEIGHT OF THE ROCK SOCK.
- ROUGH CUT STREET CONTROL SHALL BE REPAIRED IMMEDIATELY FOLLOWING ANY SIGN OF WEAR OR ALTERATION OF THE ORIGINAL SHAPE AND DIMENSIONS.
- ROUGH CUT STREET CONTROL SHALL BE KEPT IN PLACE AND MAINTAINED UNTIL SUB-GRADE PREPARATION BEGINS FOR PAVING. AT THAT POINT, THE RCSC SHOULD BE REMOVED IN INCREMENTS BASED ON SUBGRADE PREPARATION.



CROSS SECTION

COMPLETED ROCK SOCK



JOINT PLAN VIEW

JOINT ELEVATION

RS **ROCK SOCK**

**CBMP** CONSTRUCTION BEST MANAGEMENT PRACTICES  
 2 OF 2  
 Oct. 2013

**CBMP** CONSTRUCTION BEST MANAGEMENT PRACTICES  
 RS  
 1 OF 2  
 Oct. 2013

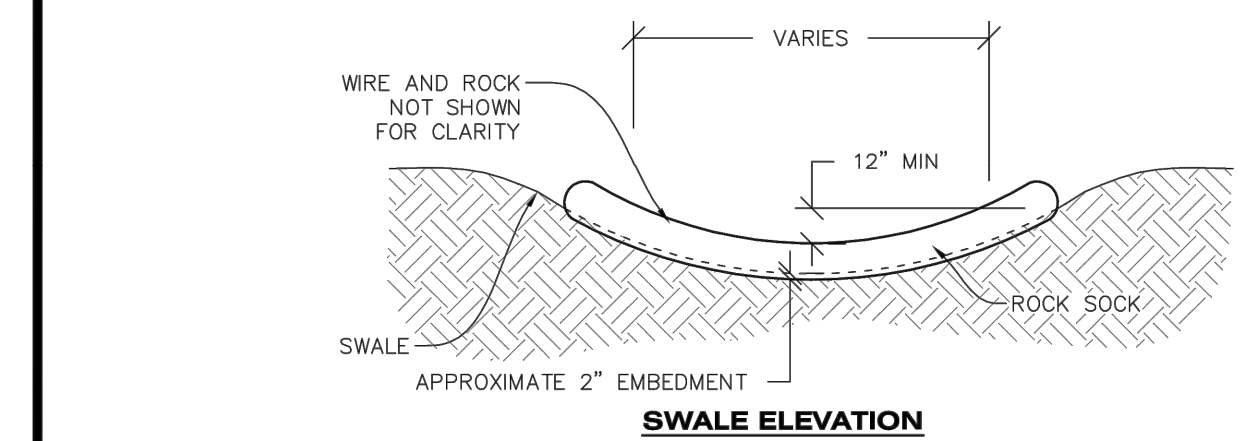
**ROCK SOCK INSTALLATION NOTES**

- SEE CBMP PLAN FOR LOCATION(S) OF ROCK SOCK.
- CRUSHED ROCK SHALL BE APPROXIMATELY 2.0"-3.0" GRANITE IN SIZE WITH A FRACTURED FACE (ALL SIDES).
- ROCK SOCK SHALL BE APPROXIMATELY ONE CONTINUOUS PIECE OR SHALL BE CONSTRUCTED USING WIRE WRAPPED JOINTS (SEE DETAIL RS).
- ROCK SOCK SHALL BE CONSTRUCTED USING CHICKEN WIRE OR OTHER APPROVED MATERIAL SIZED TO KEEP ROCK FROM SPILLING OUT.
- MINIMUM ROCK SOCK DIAMETER SHALL VARY BASED ON APPLICATION (7" MIN).
- TUBULAR MARKERS MAY NEED TO BE USED IN CONJUNCTION WITH ROCK SOCKS ANYTIME THE ROCK SOCK IS PLACED ON A ROADWAY, SIDEWALK, PARKING LOT OR OTHER LOCATION SUSCEPTIBLE TO VEHICLE OR PEDESTRIAN TRAFFIC. TUBULAR MARKERS SHALL CONFORM TO THE TUBULAR MARKER DETAIL.

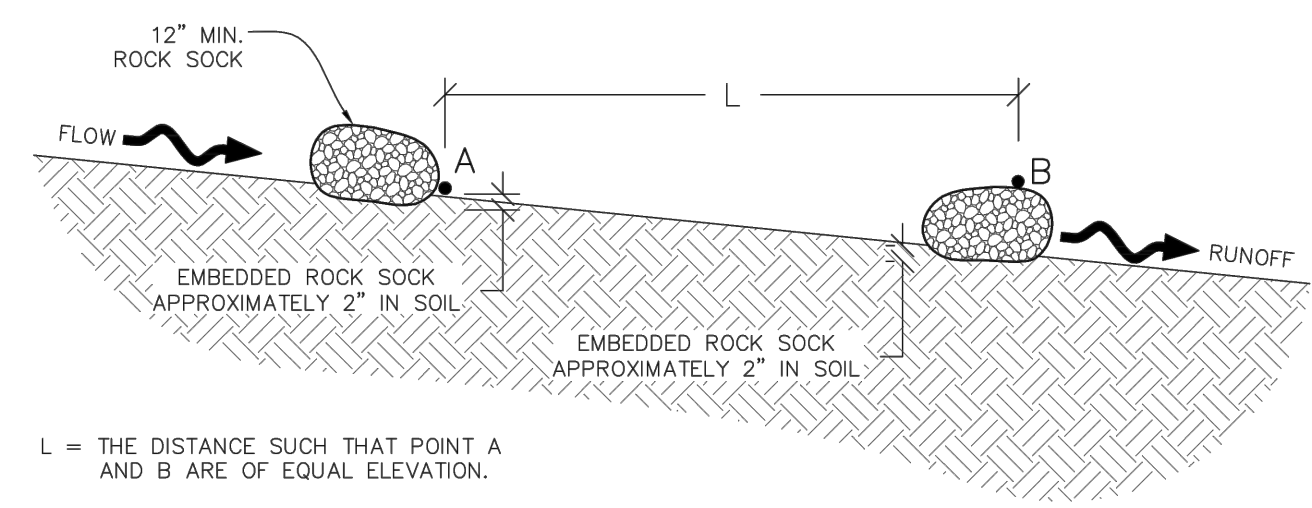
**ROCK SOCK INSPECTION AND MAINTENANCE NOTES**

- THE EROSION CONTROL SUPERVISOR SHALL REGULARLY INSPECT THE ROCK SOCKS.
- ROCK SOCKS SHALL BE REPLACED IF THEY BECOME HEAVILY SOILED OR DAMAGED.
- ROCK SOCKS SHALL REMAIN IN PLACE AND PROPERLY MAINTAINED UNTIL VEGETATIVE COVER HAS REACHED A CONSISTENT DENSITY OF AT LEAST 70% OF FULL VEGETATIVE COVER AND EROSION AND SEDIMENTATION IS NO LONGER A POSSIBILITY AS DETERMINED BY THE TOWN'S INSPECTOR OR AS OTHERWISE DIRECTED BY THE TOWN'S INSPECTOR.

**CBMP** CONSTRUCTION BEST MANAGEMENT PRACTICES  
 RS  
 2 OF 2  
 Oct. 2013



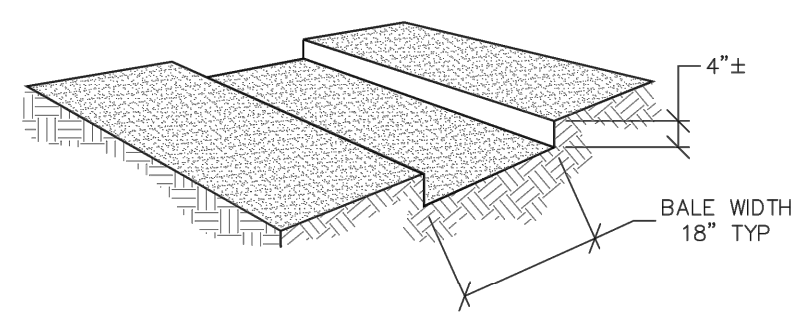
SWALE ELEVATION



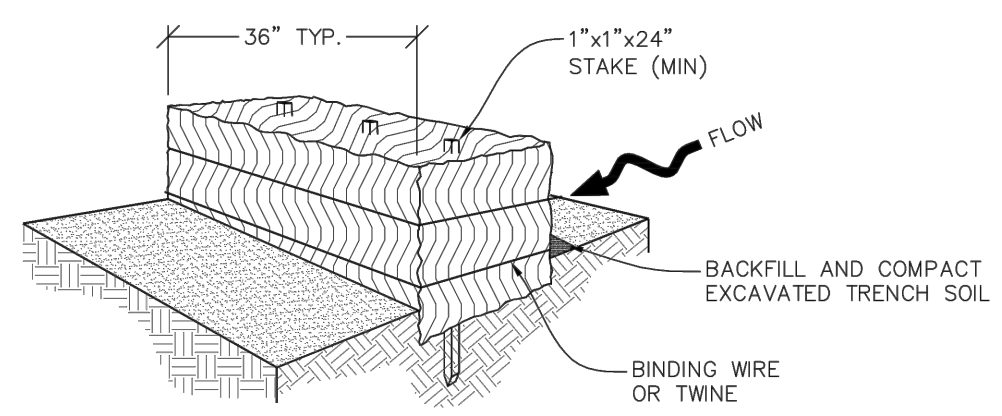
SWALE SPACING

RSS **ROCK SOCK IN SWALE**

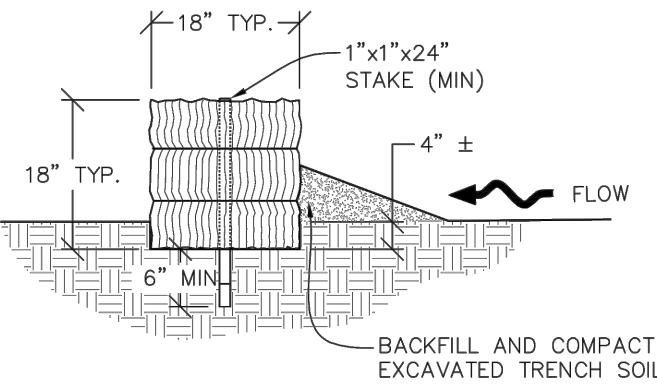
**CBMP** CONSTRUCTION BEST MANAGEMENT PRACTICES  
 RSS  
 1 OF 1  
 Oct. 2013



TRENCH EXCAVATION



STRAW BALE INSTALLATION



SECTION

SB **STRAW BALE**

**CBMP** CONSTRUCTION BEST MANAGEMENT PRACTICES  
 SB  
 1 OF 2  
 Oct. 2013

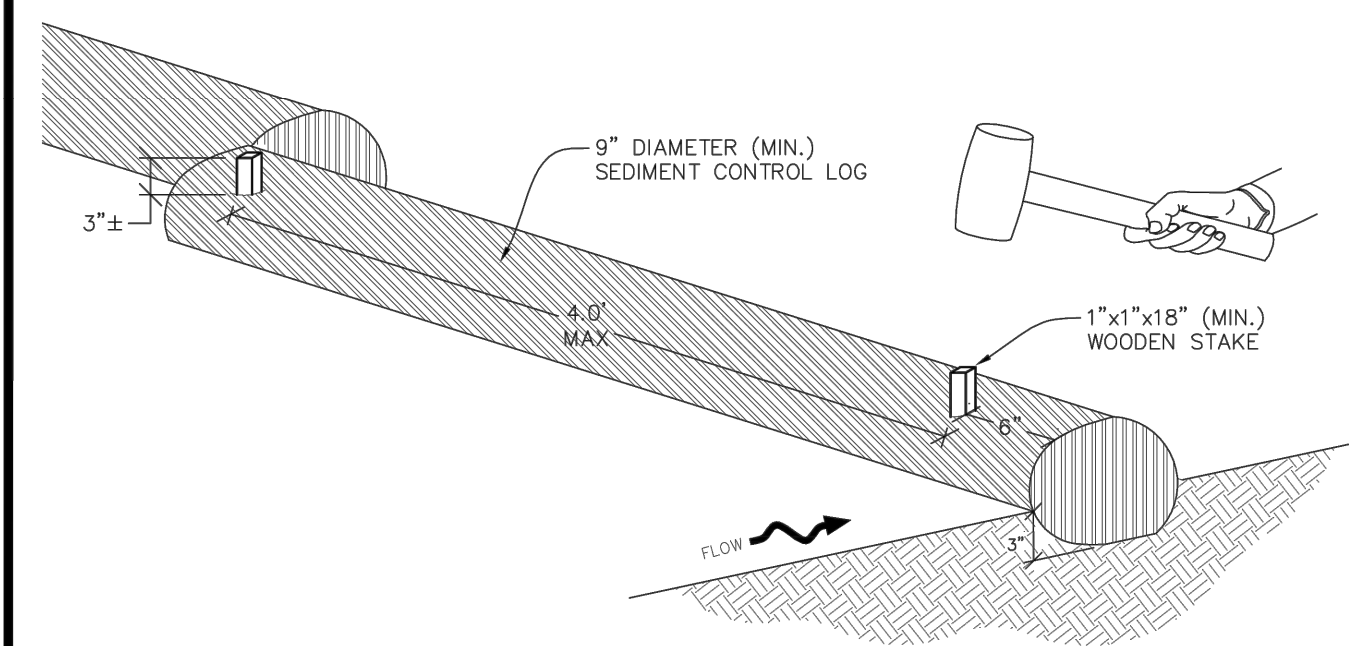
**STRAW BALE INSTALLATION NOTES**

- SEE CBMP PLAN FOR LOCATION(S) OF STRAW BALES.
- TYPICAL STRAW BALES SHALL BE APPROXIMATELY 36"x18"x18".
- TWO (2) WOODEN STAKES SHALL BE USED TO HOLD EACH BALE IN PLACE. WOODEN STAKES SHALL BE A MINIMUM OF 1"x1"x24".
- WOODEN STAKES SHALL BE PLACED APPROXIMATELY 6" INTO THE GROUND.
- STRAW BALES SHALL BE SPACED AND POSITIONED ACCORDING TO DETAILS.

**STRAW BALE INSPECTION AND MAINTENANCE NOTES**

- THE EROSION CONTROL SUPERVISOR SHALL REGULARLY INSPECT THE STRAW BALES.
- ACCUMULATED SEDIMENT SHALL BE REMOVED ONCE THE SEDIMENT HAS REACHED A DEPTH EQUAL TO 1/2 THE HEIGHT OF THE STRAW BALE.
- STRAW BALES MAY NEED TO BE REPLACED IF THEY BECOME HEAVILY SOILED, ROTTEN, OR OTHERWISE DAMAGED.
- STRAW BALES SHALL REMAIN IN PLACE AND PROPERLY MAINTAINED UNTIL VEGETATIVE COVER HAS REACHED A CONSISTENT DENSITY OF AT LEAST 70% OF FULL VEGETATIVE COVER AND EROSION AND SEDIMENTATION IS NO LONGER A POSSIBILITY AS DETERMINED BY THE TOWN'S INSPECTOR OR AS OTHERWISE DIRECTED BY THE TOWN INSPECTOR.
- WHEN THE STRAW BALES ARE REMOVED, ANY DISTURBED AREAS ASSOCIATED WITH THE INSTALLATION, MAINTENANCE, AND/OR REMOVAL OF THE STRAW BALES MAY NEED TO BE ROUGHENED, SEEDED, MULCHED, AND CRIMPED PER THE TOWN'S SPECIFICATIONS (SEE DETAIL SMC).

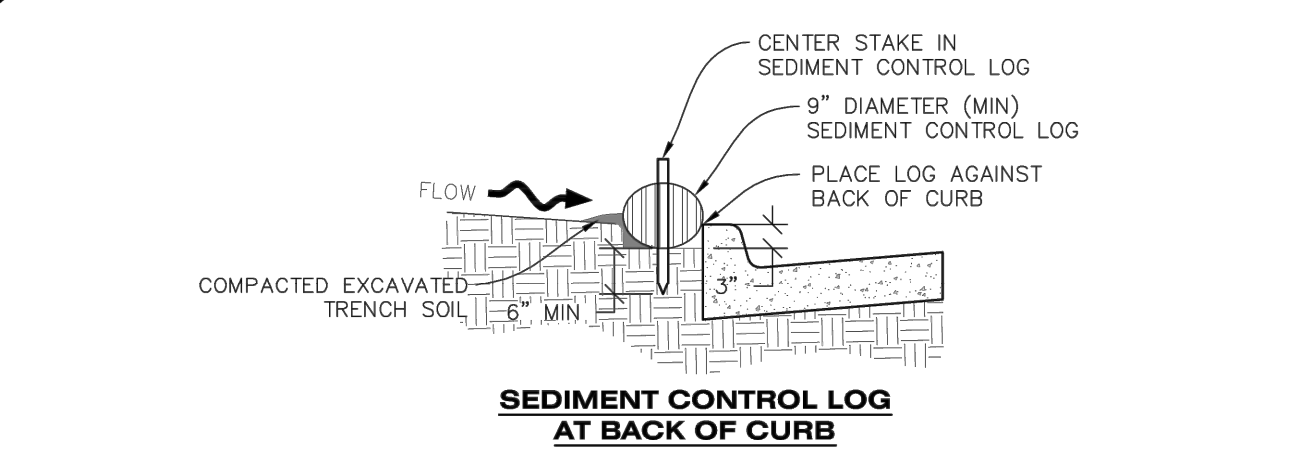
**CBMP** CONSTRUCTION BEST MANAGEMENT PRACTICES  
 SB  
 2 OF 2  
 Oct. 2013



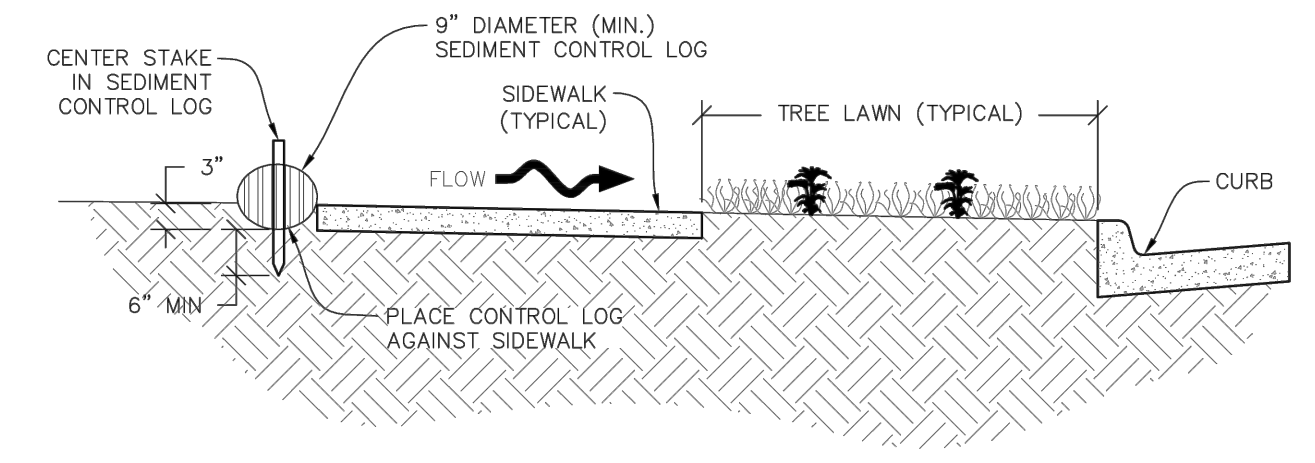
SECTION A

SCL **SEDIMENT CONTROL LOG**

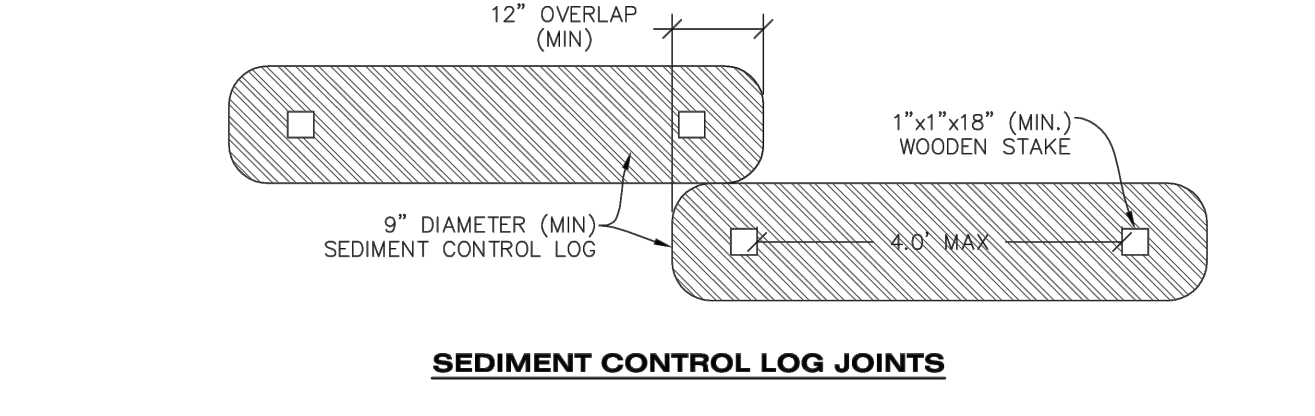
**CBMP** CONSTRUCTION BEST MANAGEMENT PRACTICES  
 SCL  
 1 OF 3  
 Oct. 2013



SEDIMENT CONTROL LOG AT BACK OF CURB



SEDIMENT CONTROL LOG AT SIDEWALK WITH TREE LAWN



SEDIMENT CONTROL LOG JOINTS

SCL **SEDIMENT CONTROL LOG**

**CBMP** CONSTRUCTION BEST MANAGEMENT PRACTICES  
 SCL  
 2 OF 3  
 Oct. 2013



Know what's below. Call before you dig.

DESIGNED BY: MJS  
 CHECKED BY: RCP  
 DRAWN BY: MJS

ISSUE DATE: 07-30-2021	
DATE	REVISION COMMENTS

**HKS HARRIS KOCHER SMITH**  
 1120 Lincoln Street, Suite 1000  
 Denver, Colorado 80203  
 P: 303.623.6300 F: 303.623.6311  
 HarrisKocherSmith.com

PLAZA STREET PARTNERS

LINCOLN & DRANSFELDT  
 CBMP DETAILS

PROJECT #: 200829  
 SHEET NUMBER

14

14 OF 36

FILE PATH: K:\200829\ENGINEERING\EROSION-CD - CBMP DETAILS & DWG LAYOUT LAYOUT (2).DWG  
 NO SCALE  
 PLOTTED: TUE 11/23/21 2:03:46P BY: TIM HOFFMAN