

COMPARK VILLAGE SOUTH FILING NO. 1, AMENDMENT 3

A PARCEL OF LAND LOCATED IN A PORTION OF THE SE OF SECTION 6, TOWNSHIP 6 SOUTH,
RANGE 66 WEST OF THE SIXTH PRINCIPAL MERIDIAN,
TOWN OF PARKER, COUNTY OF DOUGLAS, STATE OF COLORADO
7.69 ACRES, 33 RESIDENTIAL LOTS

Prepared For
CENTURY LAND HOLDINGS, LLC
8390 EAST CRESCENT PKWY
SUITE 650
GREENWOOD VILLAGE, CO 80111
(303) 770-8300

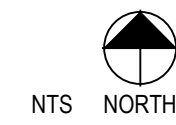
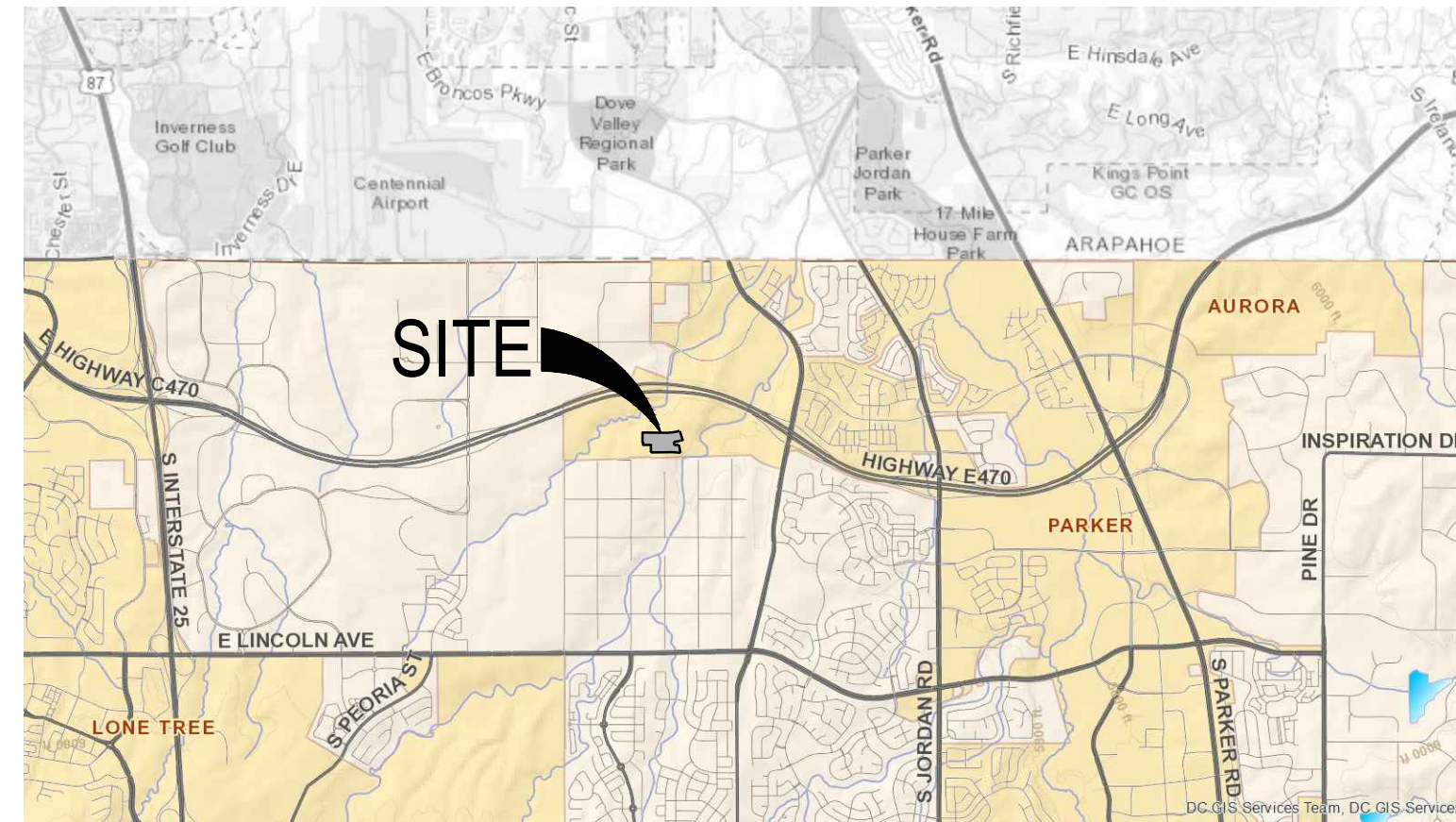
Land Planning
people creating spaces

pcs group inc. www.pcsgroupco.com
p.o. box 18287
denver, co 80218
1.303.531.4905 . 1.303.531.4908

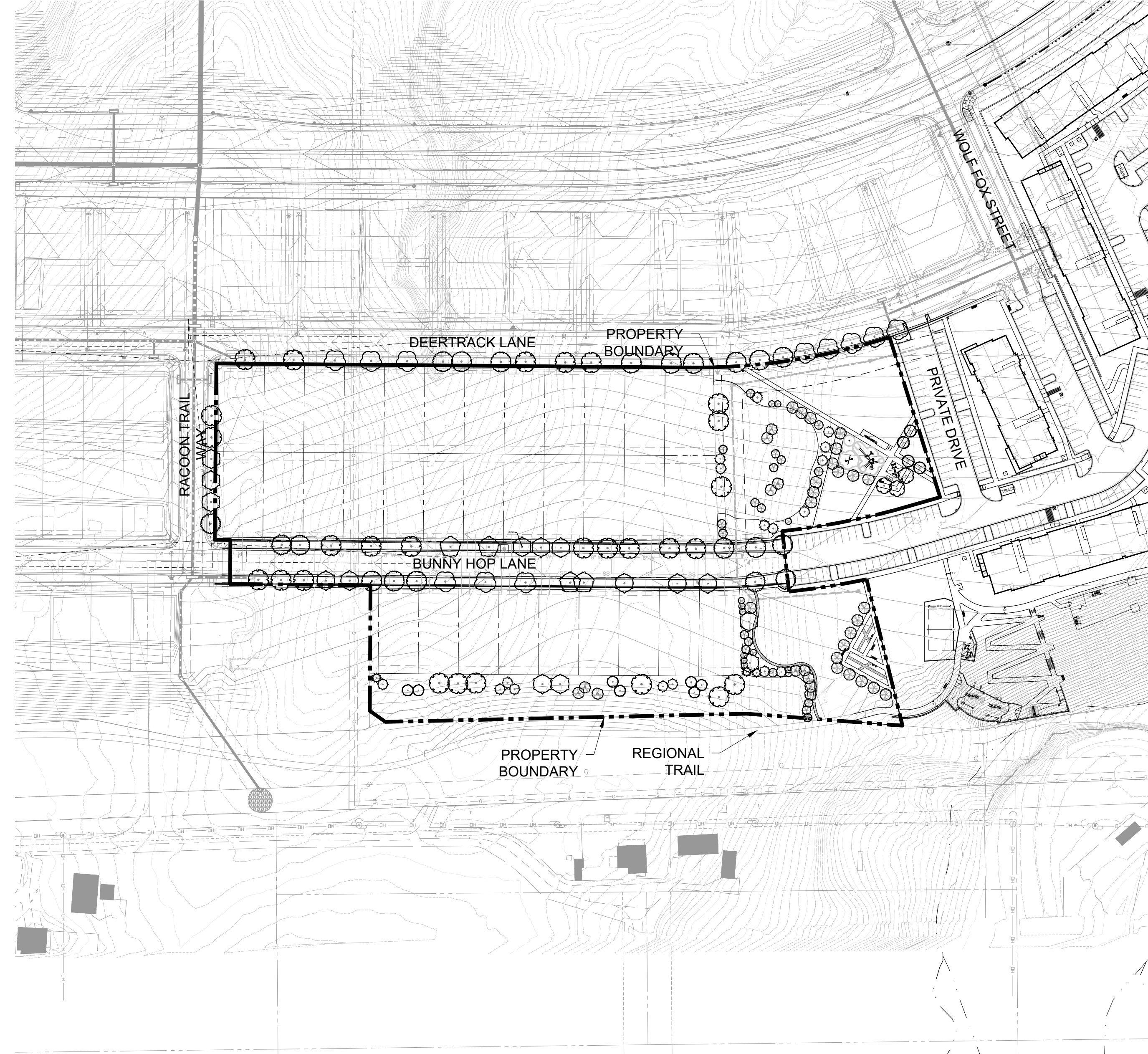
Civil Engineering

MERRICK & COMPANY
5970 GREENWOOD PLAZA BLVD,
GREENWOOD VILLAGE, CO 80111
303.353.3695

VICINITY MAP



OVERALL SITE PLAN



SHEET INDEX

SHEET NO.	TITLE
1	COVER SHEET
2	MASTER LANDSCAPE PLAN
3	LANDSCAPE NOTES & DETAILS
4	LANDSCAPE REQUIREMENTS
5	LANDSCAPE PLAN
6	LANDSCAPE PLAN
7	LANDSCAPE PLAN
8	LANDSCAPE PLAN
9	IRRIGATION LEGEND
10	IRRIGATION PLAN
11	IRRIGATION PLAN
12	IRRIGATION PLAN
13	IRRIGATION DETAILS
14	IRRIGATION DETAILS

PCS Group, Inc



P.O. BOX 18287
DENVER, CO 80218
T: 303.531.4905

FEBRUARY 10, 2023

**COMPARK VILLAGE SOUTH
FILING NO. 1, AMENDMENT 3
LANDSCAPE PLANS AND MASTER
STREET TREE PLANS**
PARKER, CO

Stamp:

Drawn by:
AML
Checked by:
PMS
Issue Date:
02.10.2023
Issued For:
TOWN OF PARKER

Rev#	Date	Revisions

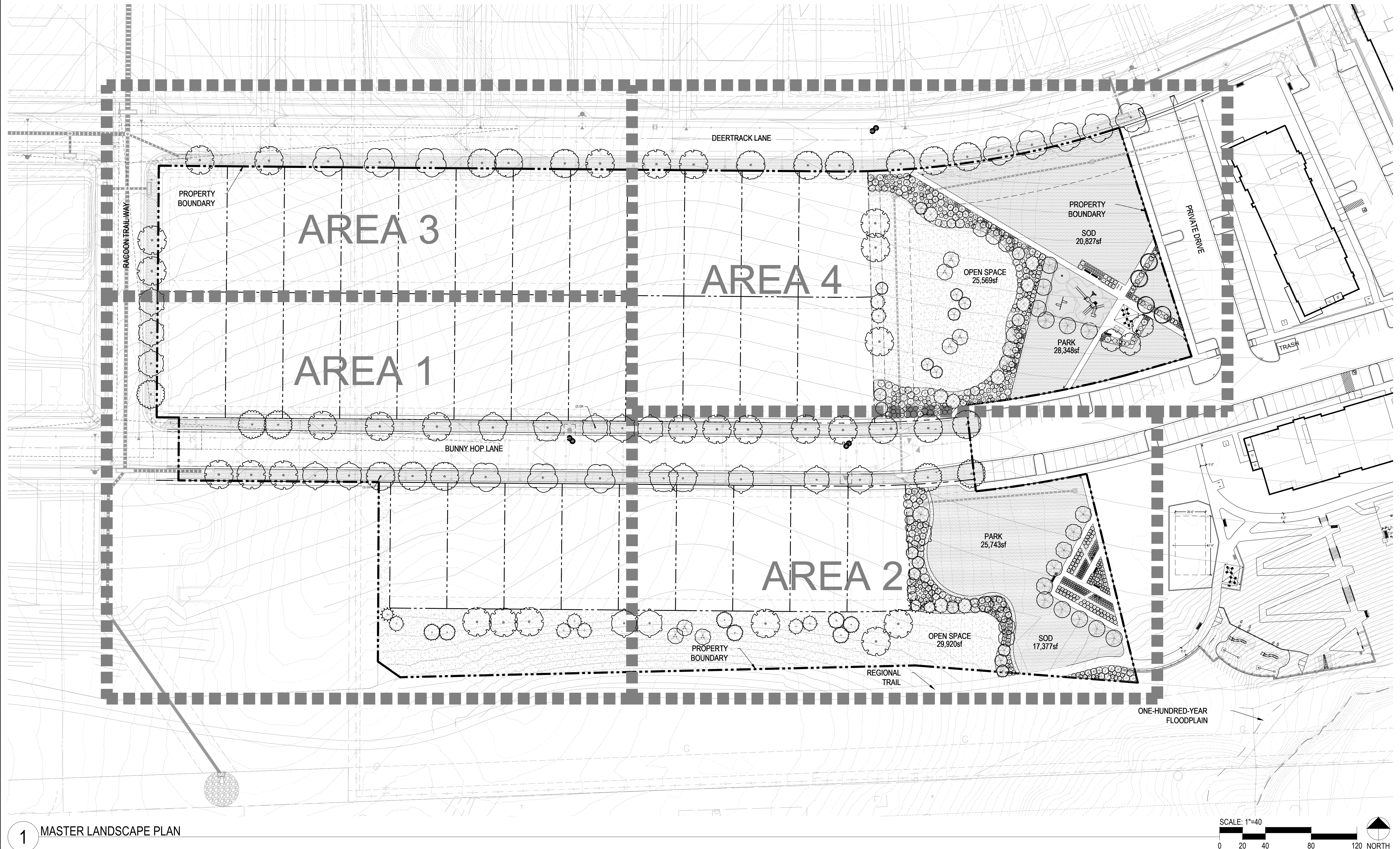
Sheet Name
COVER SHEET

Sheet Number

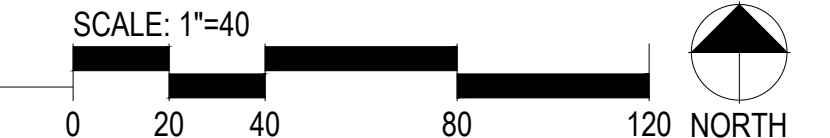
1 of 14

COMPARK VILLAGE SOUTH FILING NO. 1, AMENDMENT 3

A PARCEL OF LAND LOCATED IN A PORTION OF THE SE OF SECTION 6, TOWNSHIP 6 SOUTH,
RANGE 66 WEST OF THE SIXTH PRINCIPAL MERIDIAN,
TOWN OF PARKER, COUNTY OF DOUGLAS, STATE OF COLORADO
7.69 ACRES, 33 RESIDENTIAL LOTS



1 MASTER LANDSCAPE PLAN



Prepared For
CENTURY LAND HOLDINGS, LLC
8390 EAST CRESCENT PKWY
SUITE 650
GREENWOOD VILLAGE, CO 80111
(303) 770-8300

Land Planning
people creating spaces

pcs group inc. www.pcsgroupco.com
p.o. box 18287
denver, co 80218
1.303.531.4905 . 1.303.531.4908

Civil Engineering

MERRICK & COMPANY
5970 GREENWOOD PLAZA BLVD,
GREENWOOD VILLAGE, CO 80111
303.353.3695

COMPARK VILLAGE SOUTH
FILING NO. 1, AMENDMENT 3
LANDSCAPE PLANS AND MASTER
STREET TREE PLANS
PARKER, CO

Stamp:

Drawn by:
AML
Checked by:
PMS
Issue Date:
02.10.2023
Issued For:
TOWN OF PARKER

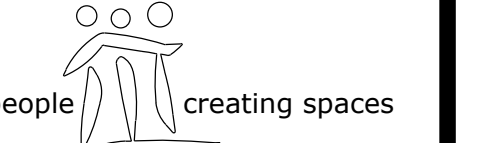
Rev#	Date	Revisions

Sheet Name
MASTER
LANDSCAPE PLAN
Sheet Number

COMPARK VILLAGE SOUTH FILING NO. 1, AMENDMENT 3

A PARCEL OF LAND LOCATED IN A PORTION OF THE SE OF SECTION 6, TOWNSHIP 6 SOUTH,
 RANGE 66 WEST OF THE SIXTH PRINCIPAL MERIDIAN,
 TOWN OF PARKER, COUNTY OF DOUGLAS, STATE OF COLORADO
 7.69 ACRES, 33 RESIDENTIAL LOTS

Prepared For
 CENTURY LAND HOLDINGS, LLC
 8390 EAST CRESCENT PKWY
 SUITE 650
 GREENWOOD VILLAGE, CO 80111
 (303) 770-8300

Land Planning


pcs group inc. www.pcsgroupco.com
 p.o. box 18287
 denver, co 80218
 1.303.531.4905 . 1.303.531.4908

Civil Engineering

MERRICK & COMPANY
 5970 GREENWOOD PLAZA BLVD,
 GREENWOOD VILLAGE, CO 80111
 303.353.3695

COMPARK VILLAGE SOUTH
 FILING NO. 1, AMENDMENT 3
 LANDSCAPE PLANS AND MASTER
 STREET TREE PLANS
 PARKER, CO

Stamp:

Drawn by:
AML
 Checked by:
PMS
 Issue Date:
02.10.2023
 Issued For:
TOWN OF PARKER

Rev#	Date	Revisions

Sheet Name
**LANDSCAPE
 REQUIREMENTS**

Sheet Number
4 of 14

A. OVERALL INTERNAL LANDSCAPE												
INTERNAL LANDSCAPE AREA (SF)	TOTAL SF	TREE REQUIREMENT 1/1500 SF			SHRUB REQUIREMENT 5/1500 SF			EQUIVALENT CALCULATION				
		REQUIRED	PROVIDED	SURPLUS / DEFICIT	REQUIRED	PROVIDED	SURPLUS / DEFICIT	Grasses available for Equivalents	Shrubs available for Equivalents	Trees available for Equivalents	Provided Trees with Equivalents	Provided Shrubs with Equivalents
		121083	81	112	31	404	494	90	-	-	-	112

*Streetscape tree counts have been removed from this calculation.

B. STREETScape LANDSCAPE												
LOCATION	LENGTH	TREE REQUIREMENT 1/40 LF			SHRUB REQUIREMENT			EQUIVALENT CALCULATION				
		REQUIRED	PROVIDED*	SURPLUS / DEFICIT	REQUIRED	PROVIDED	SURPLUS / DEFICIT	Grasses available for Equivalents	Shrubs available for Equivalents	Trees available for Equivalents	Provided Trees with Equivalents	Provided Shrubs with Equivalents
BUNNY HOP LANE	1405	36	36	0	N/A			-	-	-	36	-
RACoon TRAIL WAY	220	6	6	0	N/A			-	-	-	6	-
DEERTRACK LANE	845	22	22	0	N/A			-	-	-	22	-

*Street trees have been provided 40' on center where possible. Sight triangles and utilities do not allow for street trees in some locations.

COMPARK VILLAGE SOUTH FILING NO. 1, AMENDMENT 3

A PARCEL OF LAND LOCATED IN A PORTION OF THE SE OF SECTION 6, TOWNSHIP 6 SOUTH,
RANGE 66 WEST OF THE SIXTH PRINCIPAL MERIDIAN,
TOWN OF PARKER, COUNTY OF DOUGLAS, STATE OF COLORADO
7.69 ACRES, 33 RESIDENTIAL LOTS

Prepared For
CENTURY LAND HOLDINGS, LLC
8390 EAST CRESCENT PKWY
SUITE 650
GREENWOOD VILLAGE, CO 80111
(303) 770-8300

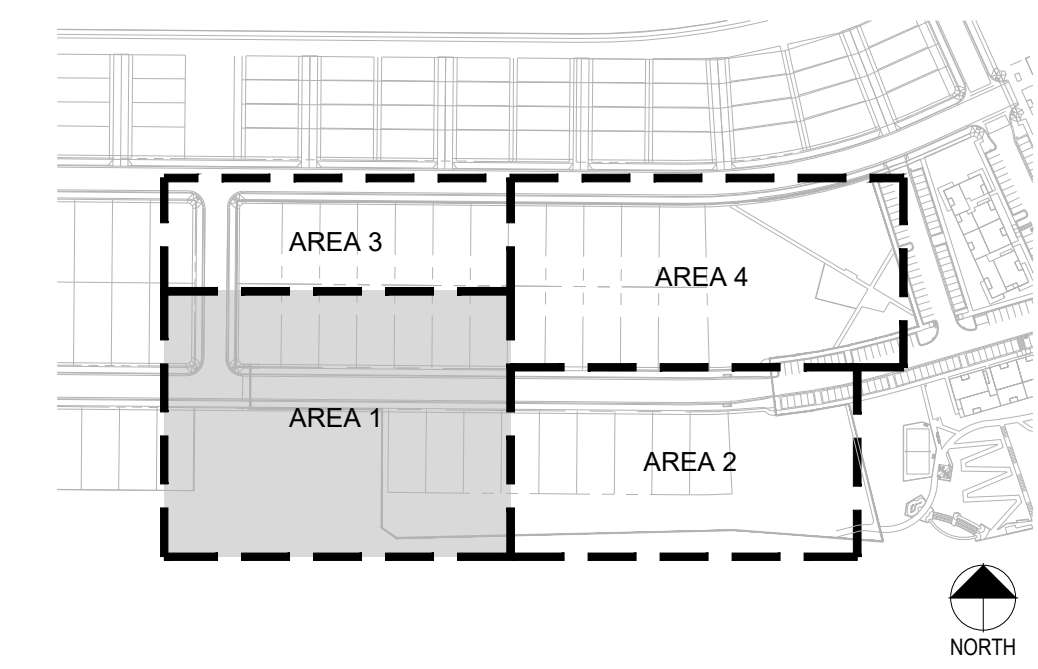
Land Planning
people creating spaces

pcs group inc. www.pcsgruopco.com
p.o. box 18287
denver, co 80218
1.303.531.4905 . 1.303.531.4908

Civil Engineering

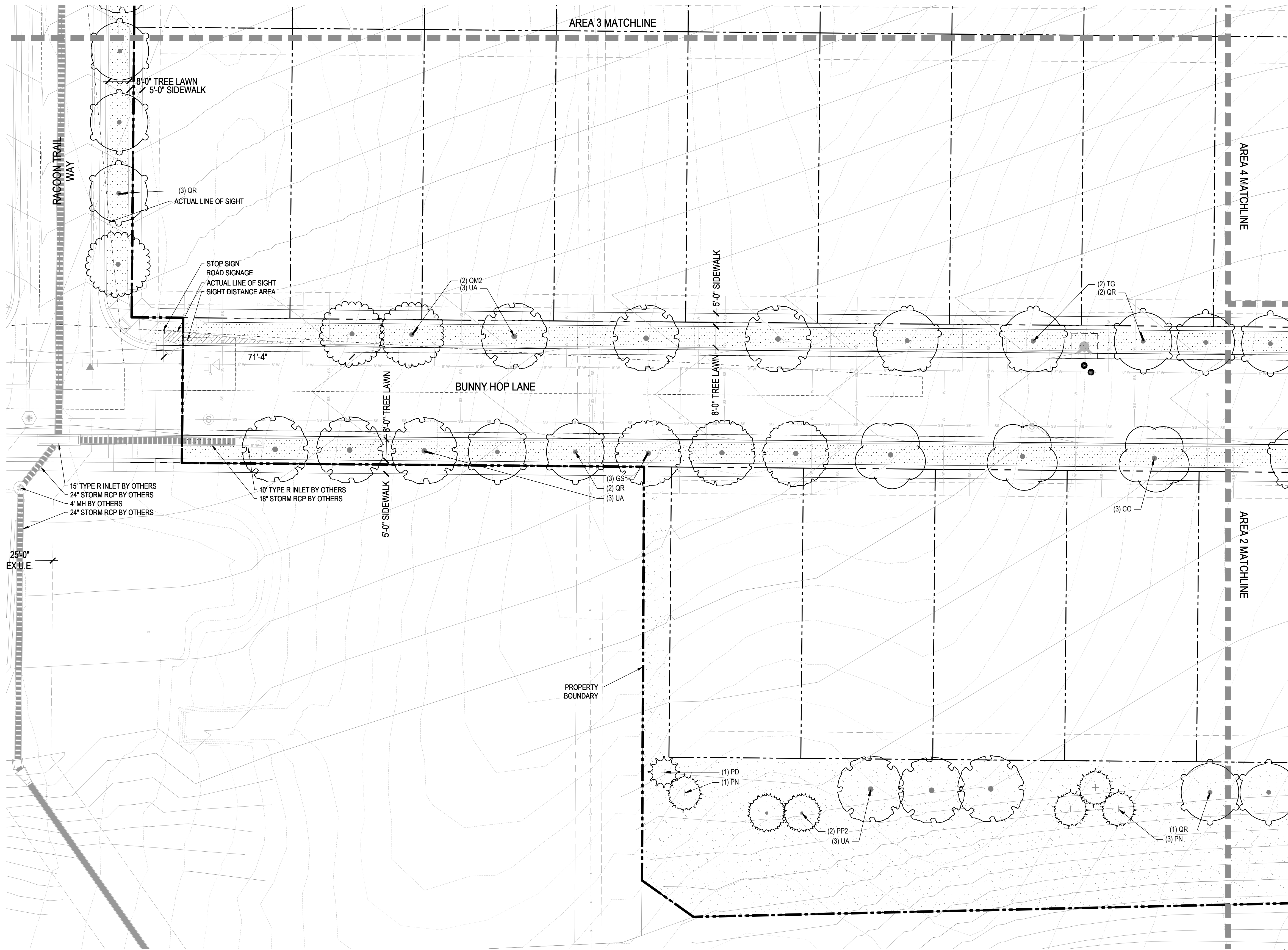
MERRICK & COMPANY
5970 GREENWOOD PLAZA BLVD,
GREENWOOD VILLAGE, CO 80111
303.353.3695

KEY MAP



LEGEND

- CANOPY TREE
- EVERGREEN TREE
- ORNAMENTAL TREE
- DECIDUOUS SHRUBS
- EVERGREEN SHRUBS
- ORNAMENTAL GRASSES
- WOOD MULCH
- SOD
- SEED
- FIBER SURFACE
- PERFORATED EDGER



1 LANDSCAPE AREA 1



COMPARK VILLAGE SOUTH FILING NO. 1, AMENDMENT 3 LANDSCAPE PLANS AND MASTER STREET TREE PLANS PARKER, CO

Stamp:

Drawn by:
AML
Checked by:
PMS
Issue Date:
02.10.2023
Issued For:
TOWN OF PARKER

Rev#	Date	Revisions

Sheet Name
**LANDSCAPE
AREA 1**
Sheet Number

COMPARK VILLAGE SOUTH FILING NO. 1, AMENDMENT 3

A PARCEL OF LAND LOCATED IN A PORTION OF THE SE OF SECTION 6, TOWNSHIP 6 SOUTH,
RANGE 66 WEST OF THE SIXTH PRINCIPAL MERIDIAN,
TOWN OF PARKER, COUNTY OF DOUGLAS, STATE OF COLORADO
7.69 ACRES, 33 RESIDENTIAL LOTS

Prepared For
CENTURY LAND HOLDINGS, LLC
8390 EAST CRESCENT PKWY
SUITE 650
GREENWOOD VILLAGE, CO 80111
(303) 770-8300

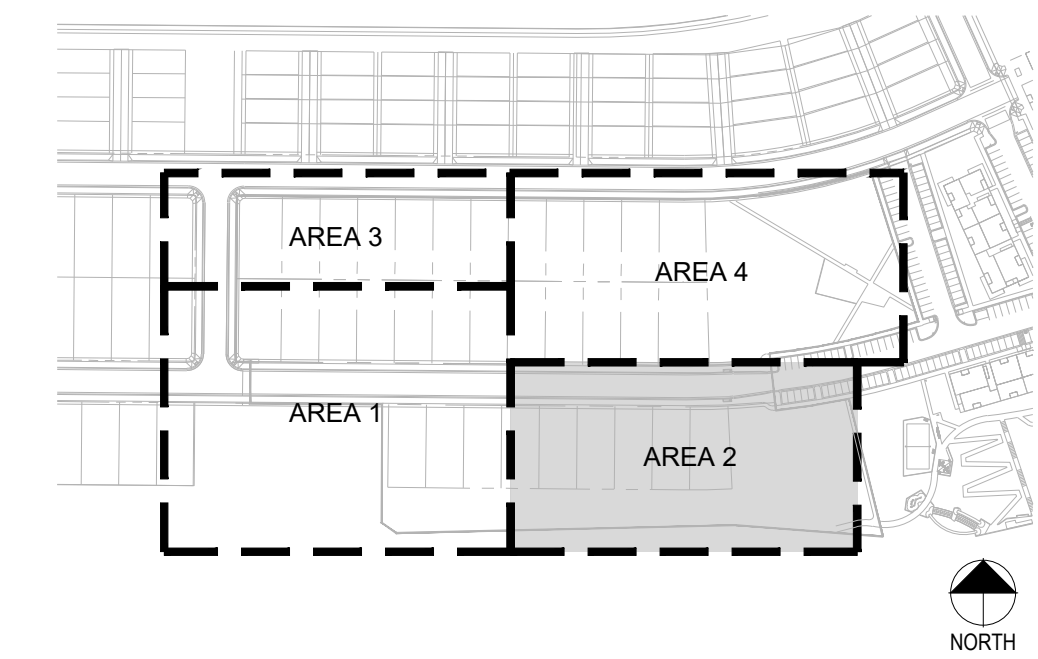
Land Planning
people creating spaces

pcs group inc. www.pcsgruopco.com
p.o. box 18287
denver, co 80218
1.303.531.4905 . 1.303.531.4908

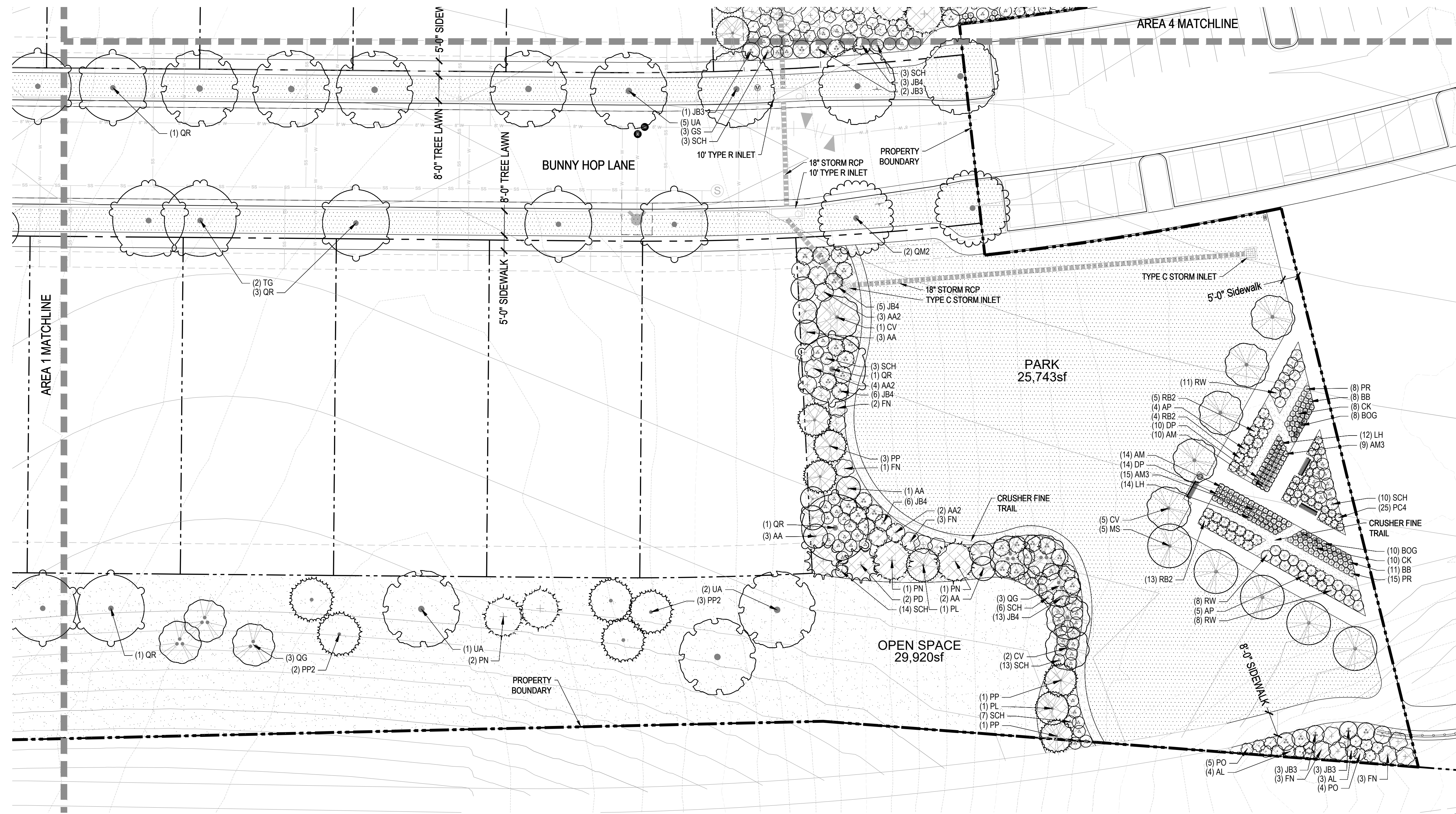
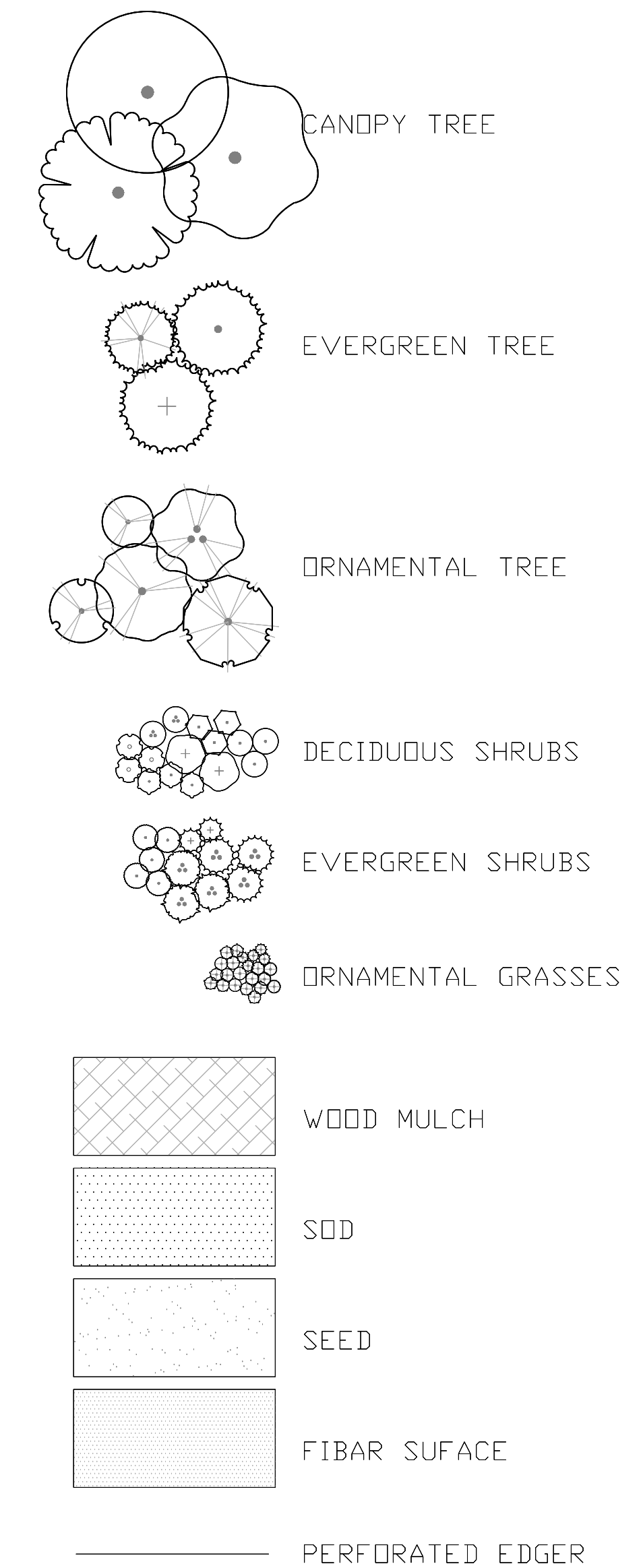
Civil Engineering

MERRICK & COMPANY
5970 GREENWOOD PLAZA BLVD,
GREENWOOD VILLAGE, CO 80111
303.353.3695

KEY MAP



LEGEND



1 LANDSCAPE AREA 2



COMPARK VILLAGE SOUTH
FILING NO. 1, AMENDMENT 3
LANDSCAPE PLANS AND MASTER
STREET TREE PLANS
PARKER, CO

Stamp:

Drawn by:
AML
Checked by:
PMS
Issue Date:
02.10.2023
Issued For:
TOWN OF PARKER

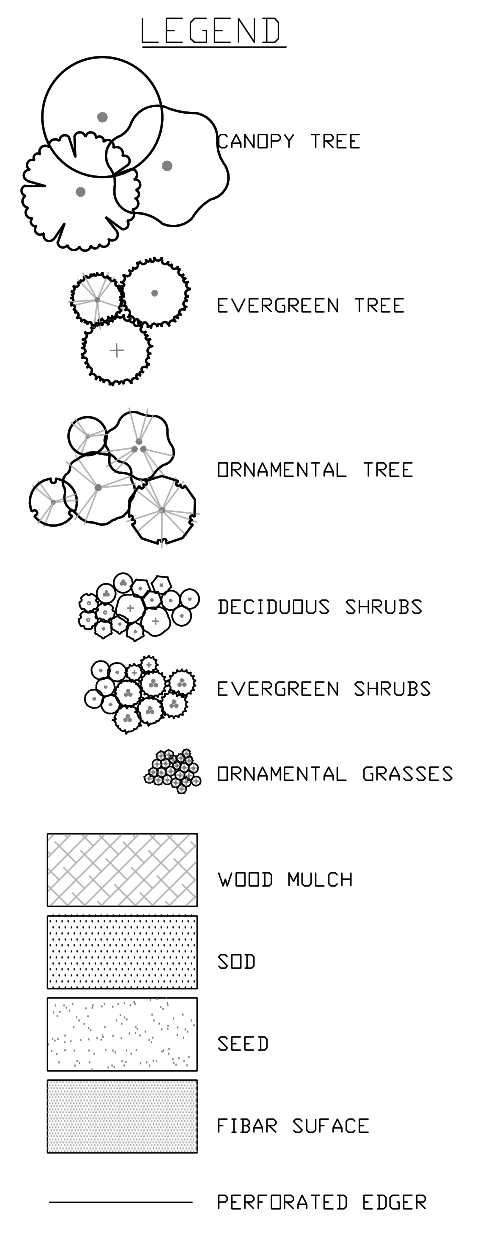
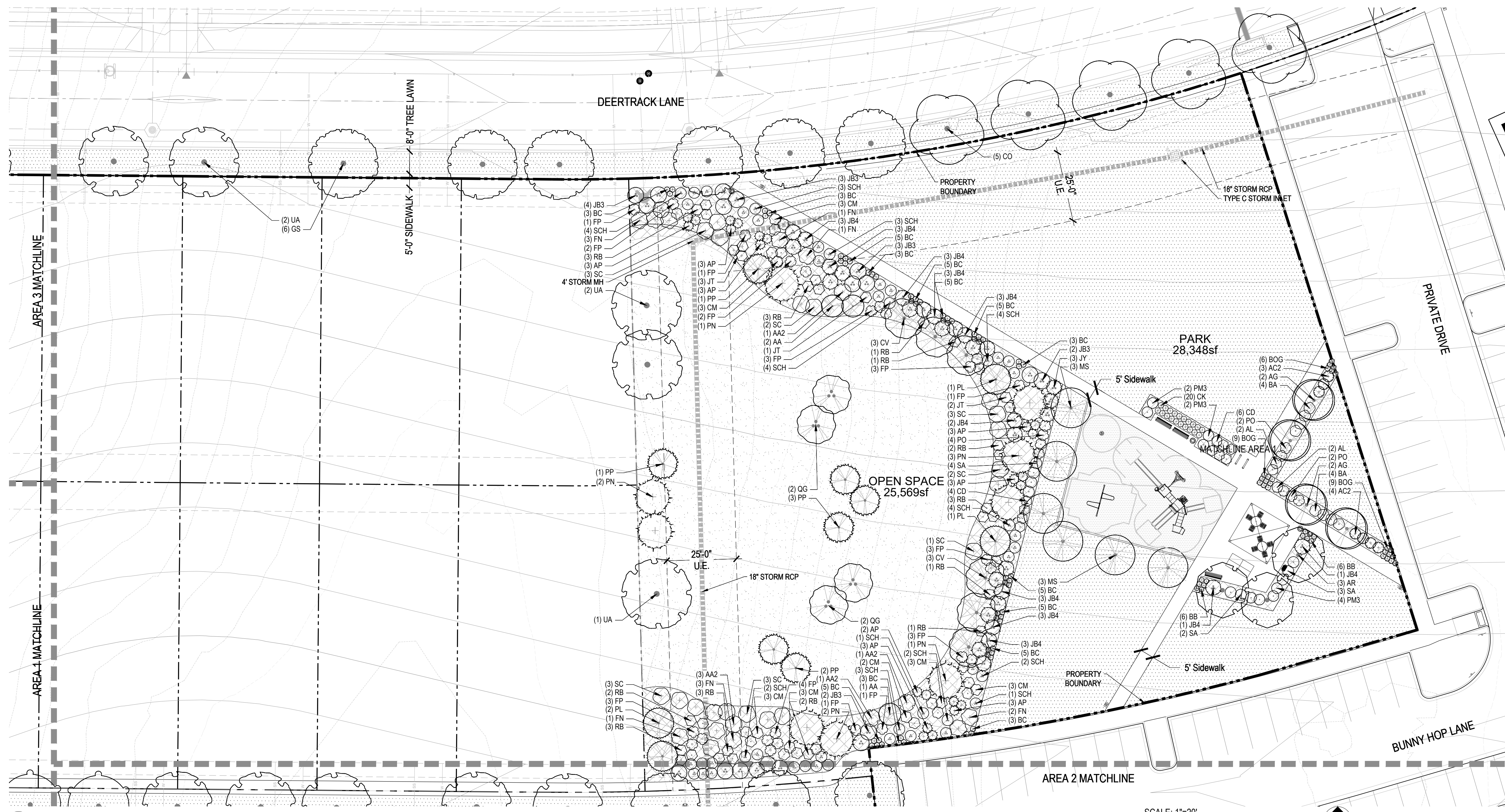
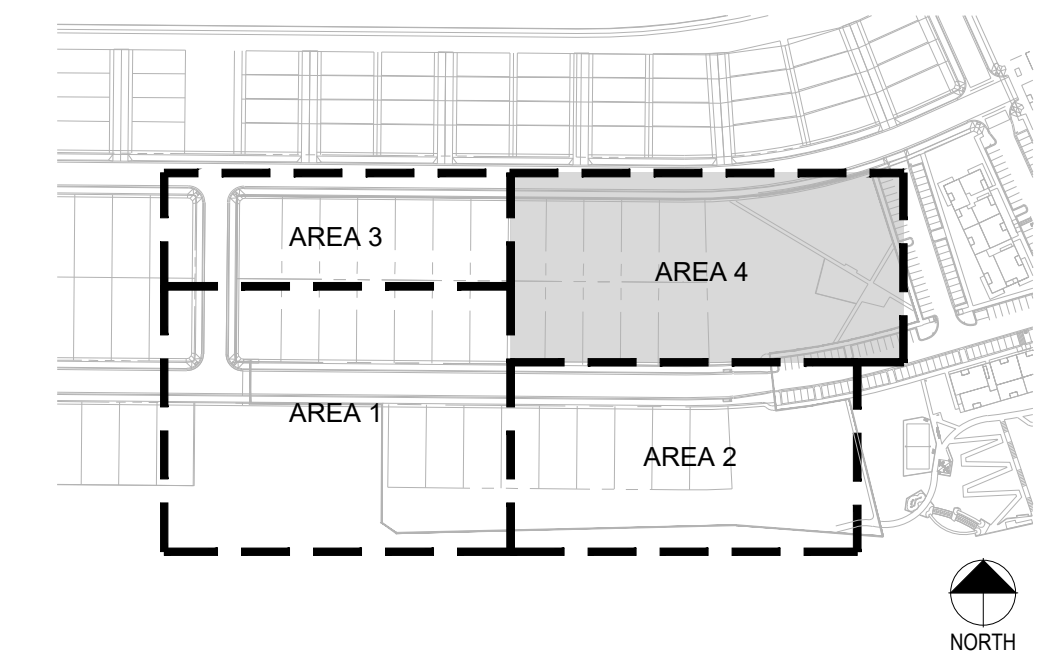
Rev#	Date	Revisions

Sheet Name
LANDSCAPE
AREA 2
Sheet Number

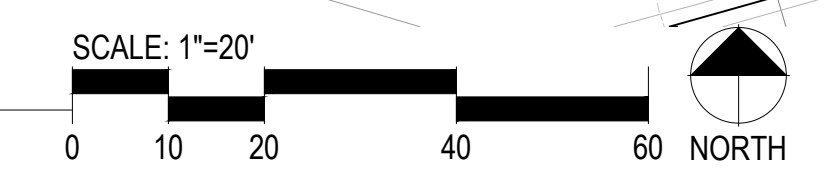
COMPARK VILLAGE SOUTH FILING NO.1, AMENDMENT 3

A PARCEL OF LAND LOCATED IN A PORTION OF THE SE OF SECTION 6, TOWNSHIP 6 SOUTH,
RANGE 66 WEST OF THE SIXTH PRINCIPAL MERIDIAN,
TOWN OF PARKER, COUNTY OF DOUGLAS, STATE OF COLORADO
7.69 ACRES, 33 RESIDENTIAL LOTS

KEY MAP



1 LANDSCAPE AREA 4



Prepared For
CENTURY LAND HOLDINGS, LLC
8390 EAST CRESCENT PKWY
SUITE 650
GREENWOOD VILLAGE, CO 80111
(303) 770-8300

Land Planning
people creating spaces
pcs group inc. www.pcsgruopco.com
p.o. box 18287
denver, co 80218
1.303.531.4905 . 1.303.531.4908

Civil Engineering
MERRICK & COMPANY
5970 GREENWOOD PLAZA BLVD,
GREENWOOD VILLAGE, CO 80111
303.353.3695

COMPARK VILLAGE SOUTH
FILING NO. 1, AMENDMENT 3
LANDSCAPE PLANS AND MASTER
STREET TREE PLANS
PARKER, CO

Stamp:

Drawn by:
AML
Checked by:
PMS
Issue Date:
02.10.2023
Issued For:
TOWN OF PARKER

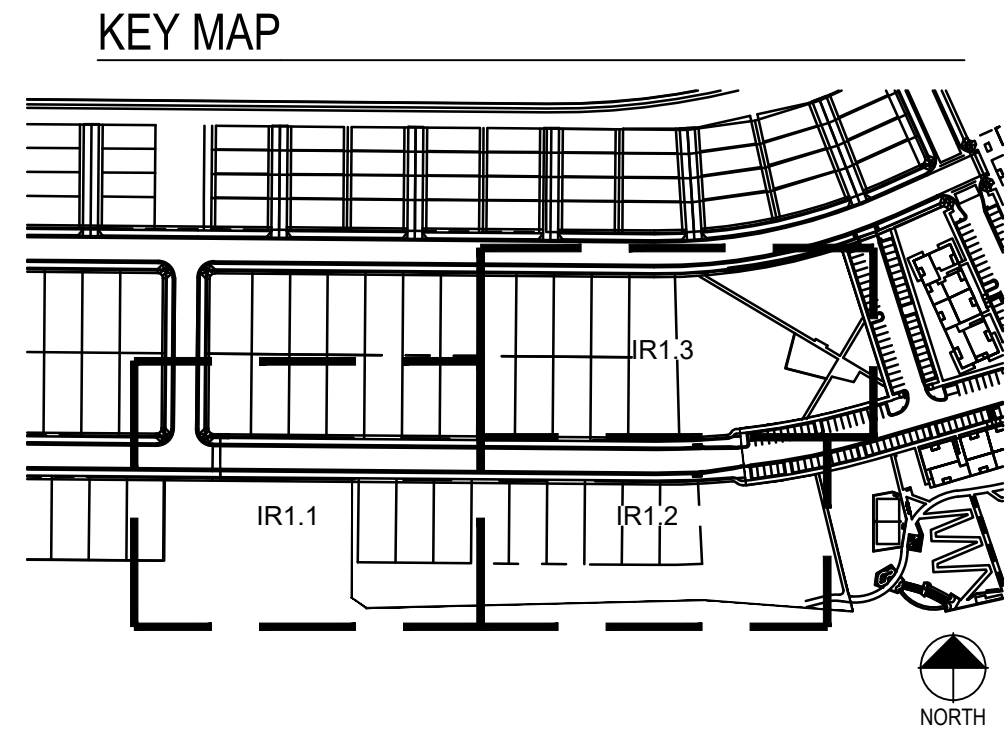
Rev#	Date	Revisions

Sheet Name
LANDSCAPE
AREA 4
Sheet Number

COMPARK VILLAGE SOUTH FILING NO.1, AMENDMENT 3

A PARCEL OF LAND LOCATED IN A PORTION OF THE SE OF SECTION 6, TOWNSHIP 6 SOUTH,
RANGE 66 WEST OF THE SIXTH PRINCIPAL MERIDIAN,
TOWN OF PARKER, COUNTY OF DOUGLAS, STATE OF COLORADO
7.69 ACRES, 33 RESIDENTIAL LOTS

PRELIMINARY NOT FOR BIDDING OR CONSTRUCTION



IRRIGATION SCHEDULE

SYMBOL	MANUFACTURER/MODEL/DESCRIPTION	PSI	SYMBOL	MANUFACTURER/MODEL/DESCRIPTION
	HUNTER PROS-06-PRS30-CV 5' STRIP SPRAY TURF SPRAY, 30 PSI REGULATED 6.0" POP-UP, WITH FACTORY INSTALLED DRAIN CHECK VALVE. CO-MOLDED WIPER SEAL WITH UV RESISTANT MATERIAL.	30		HUNTER ICZ-101-25 DRIP CONTROL ZONE KIT. 1" ICV GLOBE VALVE WITH 1" HY100 FILTER SYSTEM. PRESSURE REGULATION: 25PSI. FLOW RANGE: 2 GPM TO 20 GPM. 150 MESH STAINLESS STEEL SCREEN.
	HUNTER PROS-06-PRS30-CV 8" RADIUS TURF SPRAY, 30 PSI REGULATED 6.0" POP-UP, WITH FACTORY INSTALLED DRAIN CHECK VALVE. CO-MOLDED WIPER SEAL WITH UV RESISTANT MATERIAL.	30		DRIP FLUSH VALVE 3/4" PVC BALL VALVE
	HUNTER PROS-06-PRS30-CV 10" RADIUS TURF SPRAY, 30 PSI REGULATED 6.0" POP-UP, WITH FACTORY INSTALLED DRAIN CHECK VALVE. CO-MOLDED WIPER SEAL WITH UV RESISTANT MATERIAL.	30		MANUFACTURER/MODEL/DESCRIPTION REMOTE CONTROL VALVE ASSEMBLY HUNTER ICV-G-FS: 1", 1-1/2", 2", AND 3" PLASTIC ELECTRIC REMOTE CONTROL VALVES. GLOBE CONFIGURATION, WITH NPT THREADED INLET/OUTLET, FOR COMMERCIAL/MUNICIPAL USE. WITH FILTER SENTRY.
	HUNTER PROS-06-PRS30-CV 12" RADIUS TURF SPRAY, 30 PSI REGULATED 6.0" POP-UP, WITH FACTORY INSTALLED DRAIN CHECK VALVE. CO-MOLDED WIPER SEAL WITH UV RESISTANT MATERIAL.	30		QUICK COUPLER VALVE ASSEMBLY HUNTER HO-SRC: VALVE WITH YELLOW RUBBER COVER, RED BRASS AND STAINLESS STEEL, WITH 1" NPT INLET, 1-PIECE BODY.
	HUNTER PROS-06-PRS30-CV 15" RADIUS TURF SPRAY, 30 PSI REGULATED 6.0" POP-UP, WITH FACTORY INSTALLED DRAIN CHECK VALVE. CO-MOLDED WIPER SEAL WITH UV RESISTANT MATERIAL.	30		ISOLATION GATE VALVE ASSEMBLY MATCO-NORCA 514TX: 1/2"-4" BRASS GATE VALVE, FULL PORT, WITH SOLID WEDGE. IPS. CROSS HANDLE. SAME SIZE AS MAINLINE PIPE.
	HUNTER PROS-06-PRS30-CV 17" RADIUS TURF SPRAY, 30 PSI REGULATED 6.0" POP-UP, WITH FACTORY INSTALLED DRAIN CHECK VALVE. CO-MOLDED WIPER SEAL WITH UV RESISTANT MATERIAL.	30		MASTER VALVE ASSEMBLY-PRESSURE REGULATING BUCKNER-SUPERIOR 3100-PRV, NORMALLY OPEN BRASS MASTER VALVE THAT PROVIDES DIRTY WATER PROTECTION, SIZE TO MATCH POC. REGULATE PRESSURE
	HUNTER MP CORNER PROS-06-PRS40-CV TURF ROTATOR, 6" POP-UP WITH FACTORY INSTALLED CHECK VALVE, PRESSURE REGULATED TO 40 PSI, MP ROTATOR NOZZLE ON PRS40 BODY. T=TURQUOISE ADJ ARC 45-105.	40		REDUCED PRESSURE BACKFLOW PREVENTER FEBCO 825YA: SIZED TO MATCH POC METER SIZE. REDUCED PRESSURE BACKFLOW PREVENTER IN STRONG BOX SBBC-30AL: LOW PROFILE BACKFLOW ENCLOSURE, WITH MARINE GRADE ALUMINUM. 30"L, 30"H, 16.25"W (76.2CM L, 76.2CM H, 41.275CM W).
	HUNTER MP1000 PROS-06-PRS40-CV TURF ROTATOR, 6" POP-UP WITH CHECK VALVE, PRESSURE REGULATED TO 40 PSI, MP ROTATOR NOZZLE ON PRS40 BODY. M=MAROON ADJ ARC 90 TO 210, L=LIGHT BLUE 210 TO 270 ARC, O=OLIVE 360 ARC.	40		PEDESTAL MOUNT 2-WIRE CONTROLLER HUNTER PED-SS-A2C-75D-SS-75-STATION DECODER CONTROLLER IN AN OUTDOOR STAINLESS STEEL PEDESTAL. INSTALL WIRELESS RAIN SENSOR AND SOLAR SYNC
	HUNTER MP2000 PROS-06-PRS40-CV TURF ROTATOR, 6" POP-UP WITH FACTORY INSTALLED CHECK VALVE, PRESSURE REGULATED TO 40 PSI, MP ROTATOR NOZZLE ON PRS40 BODY. K=BLACK ADJ ARC 90-210, G=GREEN ADJ ARC 210-270, R=RED 360 ARC.	40		CREATIVE SENSOR TECHNOLOGY FSI-T 1.5" PVC TEE TYPE FLOW SENSOR W/SOCKET ENDS, CUSTOM MOUNTING TEE AND ULTRA-LIGHTWEIGHT IMPELLER ENHANCES LOW FLOW MEASUREMENT. 2 WIRE DIGITAL OUTPUT. FLOW RANGE: .86-52 GPM.
	HUNTER MP3000 PROS-06-PRS40-CV TURF ROTATOR, 6" POP-UP WITH FACTORY INSTALLED CHECK VALVE, PRESSURE REGULATED TO 40 PSI, MP ROTATOR NOZZLE ON PRS40 BODY. B=BLUE ADJ ARC 90-210, Y=YELLOW ADJ ARC 210-270, A=GRAY 360 ARC.	40		IRRIGATION LATERAL LINE: PVC CLASS 200 SDR 21 PVC CLASS 200 IRRIGATION PIPE. ONLY LATERAL TRANSITION PIPE SIZES 1 1/4" AND ABOVE ARE INDICATED ON THE PLAN, WITH ALL OTHERS BEING 1" IN SIZE.
	HUNTER MP3500 PROS-06-PRS40-CV TURF ROTATOR, 6" POP-UP WITH FACTORY INSTALLED CHECK VALVE, PRESSURE REGULATED TO 40 PSI, MP ROTATOR NOZZLE ON PRS40 BODY. LB=LIGHT BROWN ADJUSTABLE ARC, 90-210.	40		PLANTING BED DRIP IRRIGATION LATERAL LINE: 3/4-1/8 INCH BLANK UV RADIATION RESISTANT POLYETHYLENE PIPE TO SINGLE OUTLET EMITTERS PER ADJACENT EMITTER CHART.
	HUNTER MP800SR PROS-06-PRS40-CV TURF ROTATOR, 6" POP-UP WITH CHECK VALVE, PRESSURE REGULATED TO 40 PSI, MP ROTATOR NOZZLE ON PRS40 BODY. ADJ=ORANGE AND GRAY (ARC 90-210), 360=LIME GREEN AND GRAY (ARC 360)	40		NATIVE PLANTING DRIP IRRIGATION LATERAL LINE: 3/4-1/8 INCH BLANK UV RADIATION RESISTANT POLYETHYLENE PIPE TO TREE RINGS, NETAFIM INLINE DRIP TUBING MODEL TLCV6-18, AND SINGLE OUTLET EMITTERS FOR SHRUBS PER ADJACENT EMITTER CHART
				IRRIGATION MAINLINE: PVC CLASS 200 SDR 21 X-INCH UNLESS OTHERWISE NOTED. PIPE SLEEVE: PVC SCHEDULE 40 INSTALL AS SHOWN ON DESIGN OR TWICE THE SIZE OF THE PIPE OR WIRE RUNNING THRU IT. NO TWO PIPES OR WIRE BUNDLES SHALL SHARE THE SAME SLEEVE.
	HUNTER I-20-06-SS TURF ROTOR, 6" POP-UP, ADJUSTABLE AND FULL CIRCLE. STAINLESS STEEL RISER. DRAIN CHECK VALVE. STANDARD NOZZLE. I-20 ROTORS IN NATIVE SEED AREAS SHALL BE PLASTIC RISERS	45		Valve Callout Valve Number Valve Flow Valve Size
	HUNTER I-20-06-SS TURF ROTOR, 6" POP-UP, ADJUSTABLE AND FULL CIRCLE. STAINLESS STEEL RISER. DRAIN CHECK VALVE. STANDARD NOZZLE. I-20 ROTORS IN NATIVE SEED AREAS SHALL BE PLASTIC RISERS	45		
	HUNTER I-20-06-SS TURF ROTOR, 6" POP-UP, ADJUSTABLE AND FULL CIRCLE. STAINLESS STEEL RISER. DRAIN CHECK VALVE. STANDARD NOZZLE. I-20 ROTORS IN NATIVE SEED AREAS SHALL BE PLASTIC RISERS	45		
	HUNTER I-25-06-SS TURF ROTOR, 6" POP-UP, ADJUSTABLE AND FULL CIRCLE. STAINLESS STEEL RISER. DRAIN CHECK VALVE. STANDARD NOZZLE.	50		
	HUNTER I-25-06-SS TURF ROTOR, 6" POP-UP, ADJUSTABLE AND FULL CIRCLE. STAINLESS STEEL RISER. DRAIN CHECK VALVE. STANDARD NOZZLE.	50		
	HUNTER I-25-06-SS TURF ROTOR, 6" POP-UP, ADJUSTABLE AND FULL CIRCLE. STAINLESS STEEL RISER. DRAIN CHECK VALVE. STANDARD NOZZLE.	50		
	HUNTER I-25-06-SS TURF ROTOR, 6" POP-UP, ADJUSTABLE AND FULL CIRCLE. STAINLESS STEEL RISER. DRAIN CHECK VALVE. STANDARD NOZZLE.	50		
	HUNTER I-25-06-SS TURF ROTOR, 6" POP-UP, ADJUSTABLE AND FULL CIRCLE. STAINLESS STEEL RISER. DRAIN CHECK VALVE. STANDARD NOZZLE.	50		
	HUNTER I-25-06-SS TURF ROTOR, 6" POP-UP, ADJUSTABLE AND FULL CIRCLE. STAINLESS STEEL RISER. DRAIN CHECK VALVE. STANDARD NOZZLE.	50		

INSTALLATION GENERAL NOTES

- DESIGN ASSUMES A MINIMUM DYNAMIC PRESSURE AVAILABLE FOR THE IRRIGATION SYSTEM (PER CITY ENGINEER) OF 103 PSI. AT A MAXIMUM PEAK FLOW OF 40 GPM AT THE 1.5-INCH POINT-OF-CONNECTION (POC). VERIFY PRESSURE AND FLOW ON SITE PRIOR TO CONSTRUCTION. CONTACT GENERAL CONTRACTOR OR OWNER'S REPRESENTATIVE IMMEDIATELY IF FLOW OR PRESSURE ARE LOWER THAN LISTED ABOVE.
- ALL MAINLINES SHALL BE INSTALLED AT LEAST 5' FROM CENTER OF TREES, WHERE POSSIBLE. DESIGN IS SHOWN FOR CLARITY, THUS MAINLINE ROUTING IN FIELD MAY LOOK SLIGHTLY DIFFERENT THAN DEPICTED IN DRAWINGS.
- CONTRACTOR SHALL CREATE A LAMINATED CONTROLLER CHART ADHERED TO THE INSIDE OF THE CONTROLLER COVER OR A LAMINATED COLORED CONTROLLER MAP.
- CONTRACTOR SHALL BECOME FAMILIAR WITH THE SPECIFICATIONS AND INSTALLATION DETAILS FOR THIS AND RELATED WORK PRIOR TO CONSTRUCTION. FOR CLARIFICATION, CONTACT IRRIGATION DESIGNER PRIOR TO CONSTRUCTION.
- UPON FINAL ACCEPTANCE, CONTRACTOR SHALL TURN OVER REQUIRED ADJUSTMENT KEYS INCLUDING BUT NOT LIMITED TO CONTROLLER ENCLOSURE AND BACKFLOW ENCLOSURE KEY, LOCKING VALVE BOX KEYS, QUICK COUPLER KEYS, GATE VALVE KEY, SPRINKLER HEAD AND NOZZLE ADJUSTMENT KEYS.
- UPON FINAL ACCEPTANCE, CONTRACTOR SHALL TURN OVER SPARE PARTS PERTAINING TO INSTALLED SYSTEM: BACKFLOW WINTERIZATION INSERT, TWO OF EVERY HEAD AND NOZZLE (ROTOR NOZZLE TREE INCLUDED), ONE RCV DIAPHRAGM, ETC.
- COORDINATE UTILITY LOCATES OF UNDERGROUND UTILITIES PRIOR TO CONSTRUCTION ("811-CALL BEFORE YOU DIG").
- IF DISCREPANCIES ARE NOTED IN THE FIELD BETWEEN SITE CONDITIONS AND PROVIDED DESIGNS, CONTRACTOR SHALL NOTIFY OWNER'S REPRESENTATIVE OR GENERAL CONTRACTOR IMMEDIATELY. DO NOT PROCEED WITH THE INSTALLATION OF THE IRRIGATION SYSTEM IF SUCH DISCREPANCIES IN THE FIELD AFFECT THE PROVIDED DESIGN, DETAILS, OR SPECIFICATIONS.
- ALL IRRIGATION COMPONENTS (MAINLINE, WIRES, LATERAL LINES, ETC.) SHALL BE INSTALLED IN LANDSCAPED AREAS WHENEVER POSSIBLE, EVEN THOUGH SAID IRRIGATION COMPONENTS MAY BE SHOWN OUTSIDE PLANTING AREAS FOR CLARITY.
- AVOID CONFLICTS BETWEEN THE IRRIGATION SYSTEM, PLANTING MATERIALS, AND ARCHITECTURAL FEATURES WHENEVER POSSIBLE. COORDINATE POTENTIAL RELOCATION OF BOULDERS AND TREES IN TURF AREAS WITH LANDSCAPE ARCHITECT PRIOR TO SPRINKLER LAYOUT. IF LANDSCAPE MATERIAL CANNOT BE RELOCATED, ADDITIONAL SPRINKLERS MAY BE REQUIRED.
- WHERE POSSIBLE, MAINTAIN 3'-5' DISTANCE FROM CENTER OF TREE TO MAINLINE AND WIRES. VALVE BOXES SHALL BE AT LEAST 3' FROM TREE CENTER. MAINLINE ROUTING AND VALVE LOCATIONS ARE SHOWN FOR CLARITY AND MAY BE SHOWN WITHIN THE 3'-5' RANGE NOTED ABOVE.
- CROSS FITTINGS ARE NOT ALLOWED, ONLY STANDARD TEES AND ELBOWS.
- CONTRACTOR SHALL INSTALL NOZZLES PER PLAN, UNLESS IRRIGATED AREA CHANGED IN SIZE OR PLANT MATERIAL TYPE CHANGES. IF NOZZLE CHANGES ARE REQUIRED AND ARE SIGNIFICANT IN SIZE, CONTRACTOR SHALL CONTACT IRRIGATION DESIGNER FOR APPROVAL.
- CONTRACTOR SHALL FIELD LOCATE ANY EXISTING SLEEVES ON SITE PRIOR TO CONSTRUCTION WITH THE AID OF THE GENERAL CONTRACTOR. MISSING SLEEVES SHALL BE REPORTED IMMEDIATELY. NEW SLEEVES SHOWN ON PLANS ARE REQUIRED FOR BOTH PIPING AND ELECTRICAL WIRING AT EACH HARDSCAPE CROSSING. COORDINATE INSTALLATION OF SLEEVING WITH OTHER TRADES. ANY PIPE OR WIRE WHICH PASSES BENEATH EXISTING HARDSCAPE WHERE SLEEVING WAS NOT INSTALLED WILL REQUIRE HORIZONTAL BORING BY THE IRRIGATION CONTRACTOR.
- INSTALL ALL ELECTRICAL POWER TO THE IRRIGATION CONTROL SYSTEM IN ACCORDANCE WITH THE NATIONAL ELECTRIC CODE AND ALL APPLICABLE LOCAL ELECTRIC UTILITY CODES.
- THE FOLLOWING SHOULD BE NOTED REGARDING PIPE SIZING: IF A SECTION OF UNSIZED PIPE IS LOCATED BETWEEN THE IDENTICALLY SIZED SECTIONS, THE UNSIZED PIPE IS THE SAME NOMINAL SIZE AS THE TWO SIZED SECTIONS. THE UNSIZED PIPE SHOULD NOT BE CONFUSED WITH THE DEFAULT PIPE SIZE NOTED IN THE LEGEND.
- MAINLINE PIPE SIZES MAY VARY THROUGHOUT PROJECT. EACH MAINLINE LEG IS SIZED TO ACCOMMODATE LARGEST VALVE ON THAT LEG. STATED SIZE IN LEGEND MAY NOT BE THE LARGEST SIZE ON PLANS.
- TWO-WIRE CONTROL CABLE DOES NOT REQUIRE ADDITIONAL SPARE WIRES TO BE ROUTED WITH MAINLINE.
- TWO-WIRE CONTROL SURGE ARRESTORS SHALL BE INSTALLED PER MANUFACTURER'S RECOMMENDATIONS. ARRESTORS ARE NOT DEPICTED ON PLANS.
- TREES IN TURF ARE NOT IRRIGATED BY DRIP SYSTEM. DRIP LATERAL ROUTED NEAR TREES IN TURF ARE NOT TO RECEIVE DRIP IRRIGATION. TREES IN NATIVE SEED AREAS ARE IRRIGATED ON DRIP SYSTEM.
- VALVES FOR NATIVE SEED AREAS SHALL BE ON A SEPARATE PROGRAM.
- NATIVE SEED AREAS ARE TO BE IRRIGATED WITH A BELOW GRADE SYSTEM BUT UTILIZED FOR ESTABLISHMENT OF SEED. SYSTEM IS NOT INTENDED TO OPERATE BEYOND ESTABLISHMENT.
- NO IRRIGATION EQUIPMENT, INCLUDING BUT NOT LIMITED TO, MAINLINE, VALVES, AND SPRINKLERS, SHALL BE INSTALLED WITHIN 3' OF NEW BUILDING FOUNDATION.

REFERENCE NOTES SCHEDULE

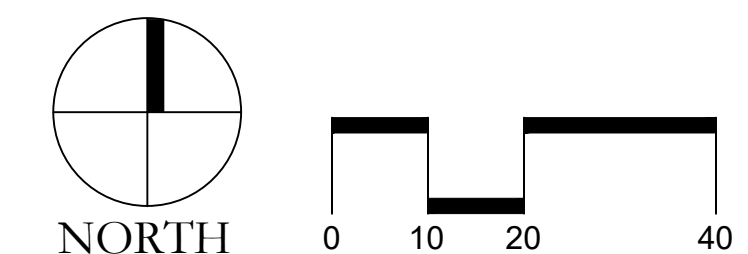
SYMBOL	DESCRIPTION
	THE IRRIGATION SYSTEM POINT-OF-CONNECTION (POC) SHALL BE DOWNSTREAM OF THE IRRIGATION WATER TAP AND METER AT THE APPROXIMATE LOCATION SHOWN (REFER TO CIVIL PLANS FOR EXACT LOCATION). INSTALL BACKFLOW PREVENTION UNIT, MASTER VALVE ASSEMBLY, AND FLOW SENSOR AS INDICATED. VERIFY EXACT LOCATION OF POC WITH OWNER'S REPRESENTATIVE. VERIFY PRESSURE AND FLOW ON SITE PRIOR TO CONSTRUCTION. CONTRACTOR TO INSTALL BACKFLOW PER NATIONAL PLUMBERS CODE AND PER LOCAL CODE. BACKFLOW SHALL BE TESTED UPON INSTALLATION AND ANNUALLY THEREAFTER.
	PEDESTAL MOUNT THE IRRIGATION CONTROLLER AT THE APPROXIMATE LOCATION SHOWN. COORDINATE ELECTRICAL POWER TO THE CONTROLLER WITH THE OWNER'S REPRESENTATIVE. CARE SHOULD BE TAKEN TO INSTALL THE IRRIGATION CONTROLLER IN A LOCATION THAT IS ACCESSIBLE FOR MAINTENANCE, AND SCREENED FROM VIEW EITHER BEHIND ENTRY WALLS, NEXT TO BUILDINGS, OR BEHIND PLANT MATERIAL. FINAL LOCATION TO BE APPROVED BY OWNER'S REPRESENTATIVE. CONTROLLER TO BE INSTALLED PER NATIONAL ELECTRIC CODE.

EMITTER SCHEDULE

PLANT TYPE	EMITTER TYPE	GPH/OUTLET	NO. OF EMITTERS	TOTAL FLOW
GROUND COVER	SINGLE OUTLET	1 GPH	1	1 GPH
PERENNIALS	SINGLE OUTLET	1 GPH	1	1 GPH
1 GAL. SHRUB	SINGLE OUTLET	1 GPH	1	1 GPH
5 GAL. SHRUB	SINGLE OUTLET	1 GPH	2	2 GPH
TREE IN SHRUB BED	SINGLE OUTLET	1 GPH	4-8	4-8 GPH
TREE IN NATIVE SEED	INLINE DRIP	0.6 GPH	N/A	N/A

NOTES:

- MULTIPLE OUTLET EMITTERS CAN BE UTILIZED IN DENSELY PLANTED AREAS AND FOR TREES IN SHRUB BEDS.
- NETAFIM TECHLINE CV DRIP TUBING MODEL TLCV6-18 FOR NATIVE TREE RINGS.



Prepared For
CENTURY LAND HOLDINGS, LLC
8390 EAST CRESCENT PKWY
SUITE 650
GREENWOOD VILLAGE, CO 80111
(303) 770-8300
Irrigation Design

MPi Designs
PO BOX 369 • AULT, CO • 80610
970-402-3047
Michelle@MPiDesignsllc.com

Civil Engineering

MERRICK & COMPANY
5970 GREENWOOD PLAZA BLVD,
GREENWOOD VILLAGE, CO 80111
303.353.3695

COMPARK VILLAGE SOUTH IRRIGATION PLANS

PARKER, CO

Stamp:

Drawn by:
MLP
Checked by:
MLP
Issue Date:
04/22/2022
Issued For:
TOWN OF PARKER

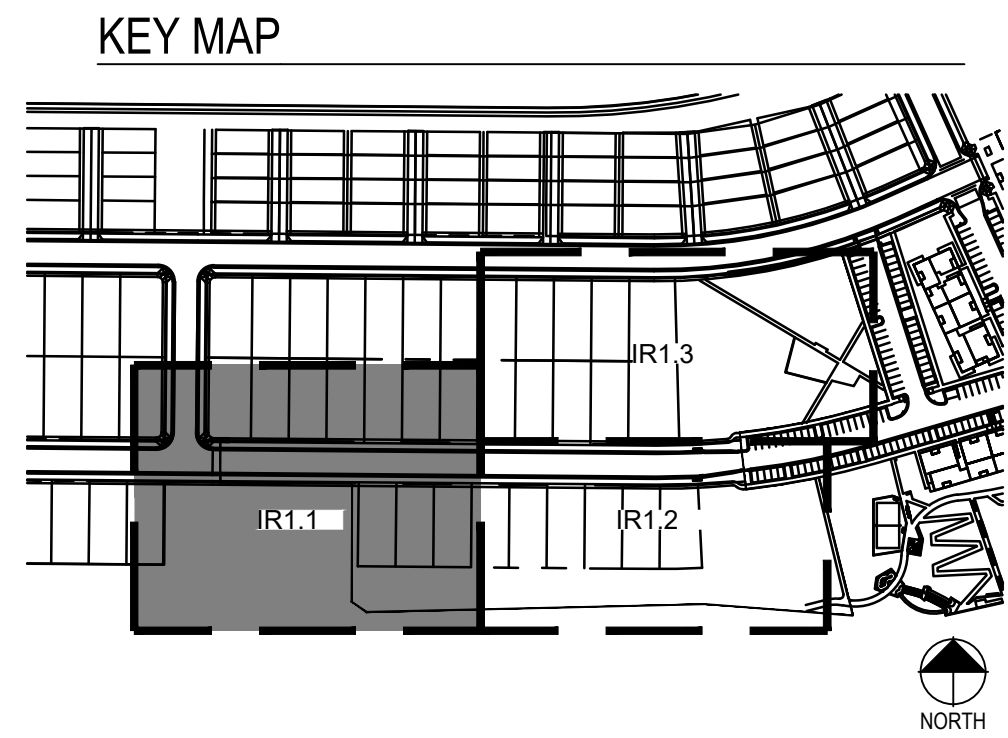
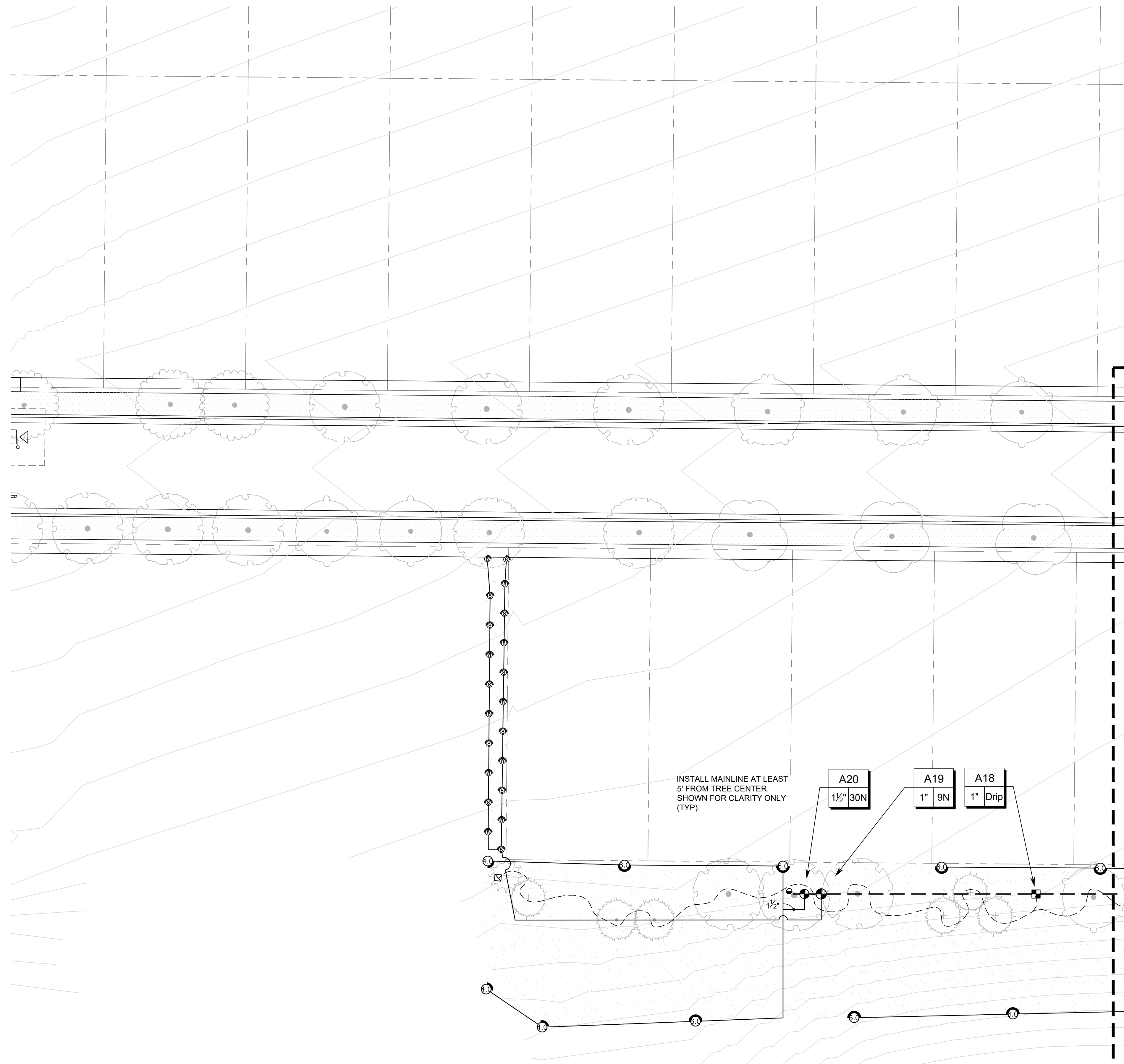
Rev#	Date	Revisions
1	11-08-22	TOWN OF PARKER REVIEW
2	02-10-23	FOR CONSTRUCTION
3		
4		
5		
6		
7		
8		

Sheet Name
IRRIGATION
LEGEND

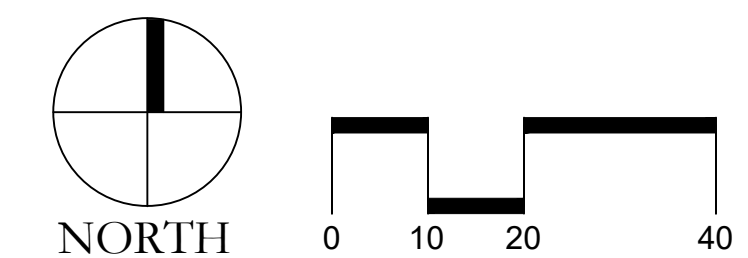
Sheet Number

COMPARK VILLAGE SOUTH FILING NO.1, AMENDMENT 3

A PARCEL OF LAND LOCATED IN A PORTION OF THE SE OF SECTION 6, TOWNSHIP 6 SOUTH,
RANGE 66 WEST OF THE SIXTH PRINCIPAL MERIDIAN,
TOWN OF PARKER, COUNTY OF DOUGLAS, STATE OF COLORADO
7.69 ACRES, 33 RESIDENTIAL LOTS



**PRELIMINARY NOT FOR
BIDDING OR CONSTRUCTION**



Prepared For
CENTURY LAND HOLDINGS, LLC
8390 EAST CRESCENT PKWY
SUITE 650
GREENWOOD VILLAGE, CO 80111
(303) 770-8300

Irrigation Design

MPi Designs
PO BOX 369 • AULT, CO • 80610
970-402-3047
Michelle@MPiDesignsllc.com

Civil Engineering

MERRICK & COMPANY
5970 GREENWOOD PLAZA BLVD,
GREENWOOD VILLAGE, CO 80111
303.353.3695

COMPARK VILLAGE SOUTH
IRRIGATION PLANS

PARKER, CO

Stamp:

Drawn by:
MLP
Checked by:
MLP
Issue Date:
04/22/2022
Issued For:
TOWN OF PARKER

Rev#	Revisions	Date
1	TOWN OF PARKER REVIEW	11-08-22
2	FOR CONSTRUCTION	02-10-23
3		
4		
5		
6		
7		
8		

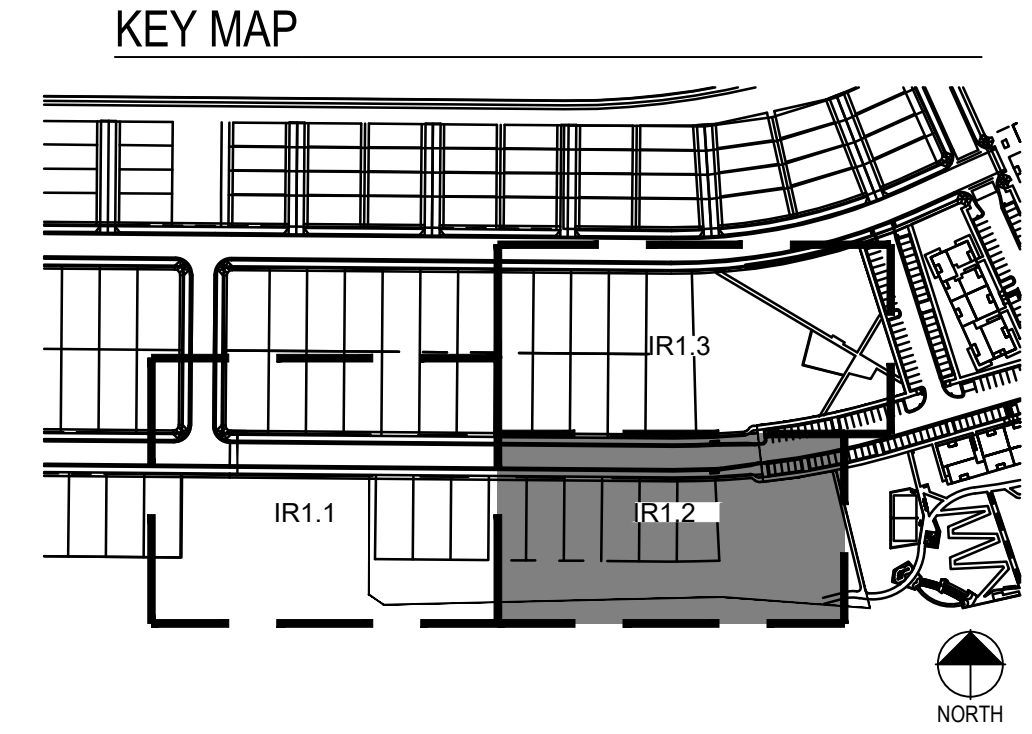
Sheet Name
IRRIGATION PLAN

Sheet Number

10 of 14

COMPARK VILLAGE SOUTH FILING NO.1, AMENDMENT 3

A PARCEL OF LAND LOCATED IN A PORTION OF THE SE OF SECTION 6, TOWNSHIP 6 SOUTH,
RANGE 66 WEST OF THE SIXTH PRINCIPAL MERIDIAN,
TOWN OF PARKER, COUNTY OF DOUGLAS, STATE OF COLORADO
7.69 ACRES, 33 RESIDENTIAL LOTS



Prepared For
CENTURY LAND HOLDINGS, LLC
8390 EAST CRESCENT PKWY
SUITE 650
GREENWOOD VILLAGE, CO 80111
(303) 770-8300
Irrigation Design

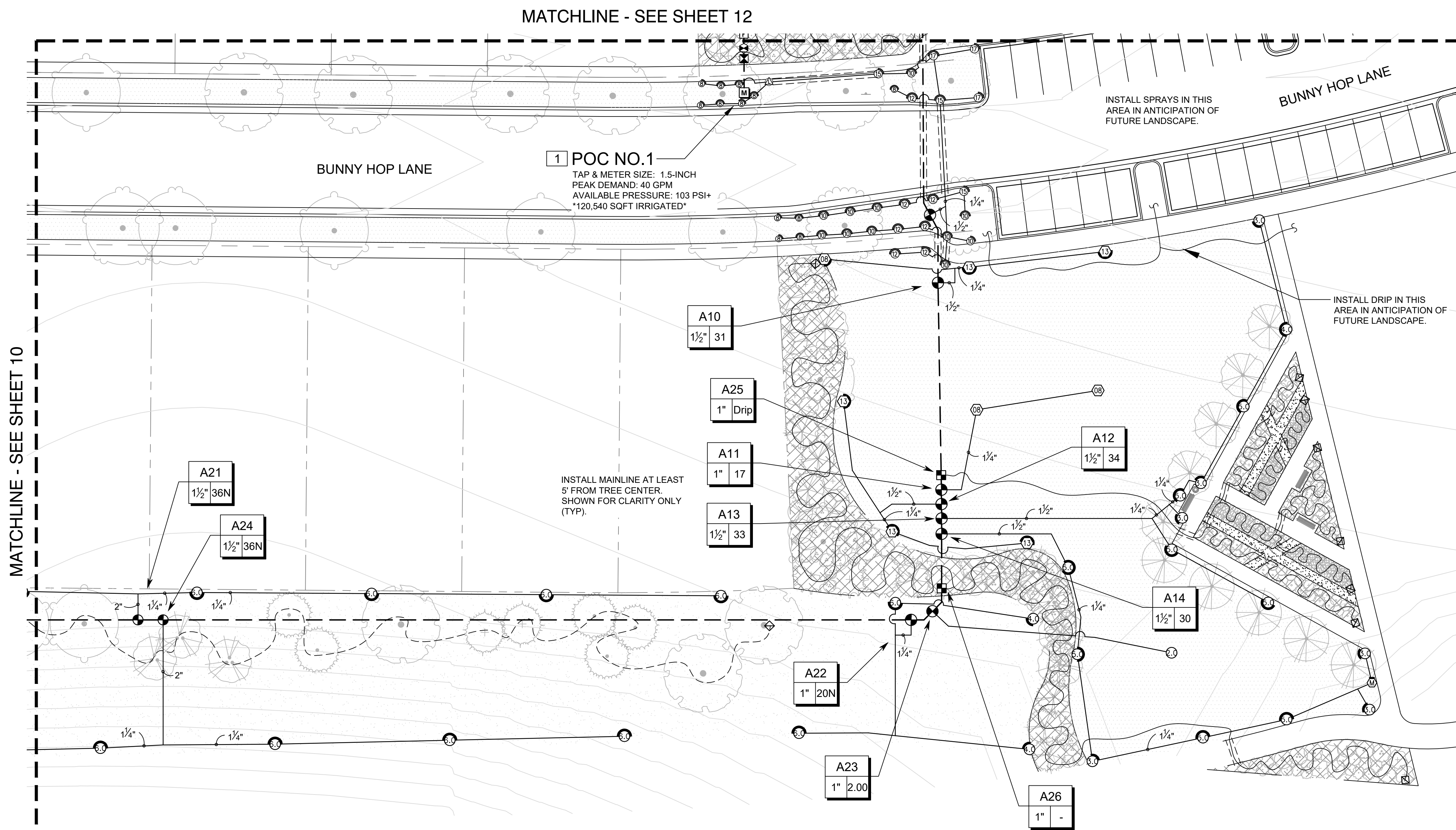
MPi Designs
PO BOX 369 • AULT, CO • 80610
970-402-3047
Michelle@MPiDesignsllc.com

Civil Engineering

MERRICK & COMPANY
5970 GREENWOOD PLAZA BLVD,
GREENWOOD VILLAGE, CO 80111
303.353.3695

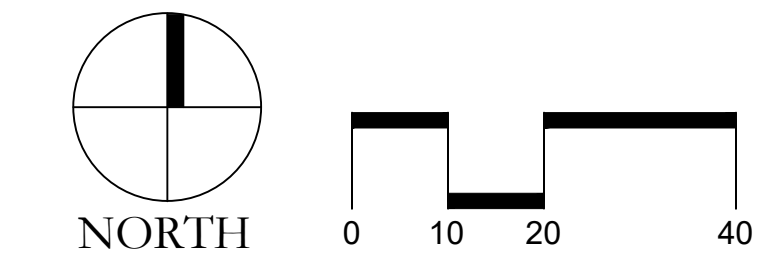
COMPARK VILLAGE SOUTH
IRRIGATION PLANS

PARKER, CO



PRELIMINARY NOT FOR BIDDING OR CONSTRUCTION

MATCHLINE - SEE SHEET 10



Stamp:

Drawn by:
MLP
Checked by:
MLP
Issue Date:
04/22/2022
Issued For:
TOWN OF PARKER

Rev#	Revisions	Date
1	TOWN OF PARKER REVIEW	11-08-22
2	FOR CONSTRUCTION	02-10-23
3		
4		
5		
6		
7		
8		

Sheet Name
IRRIGATION PLAN

Sheet Number
11 of 14

COMPARK VILLAGE SOUTH FILING NO.1, AMENDMENT 3

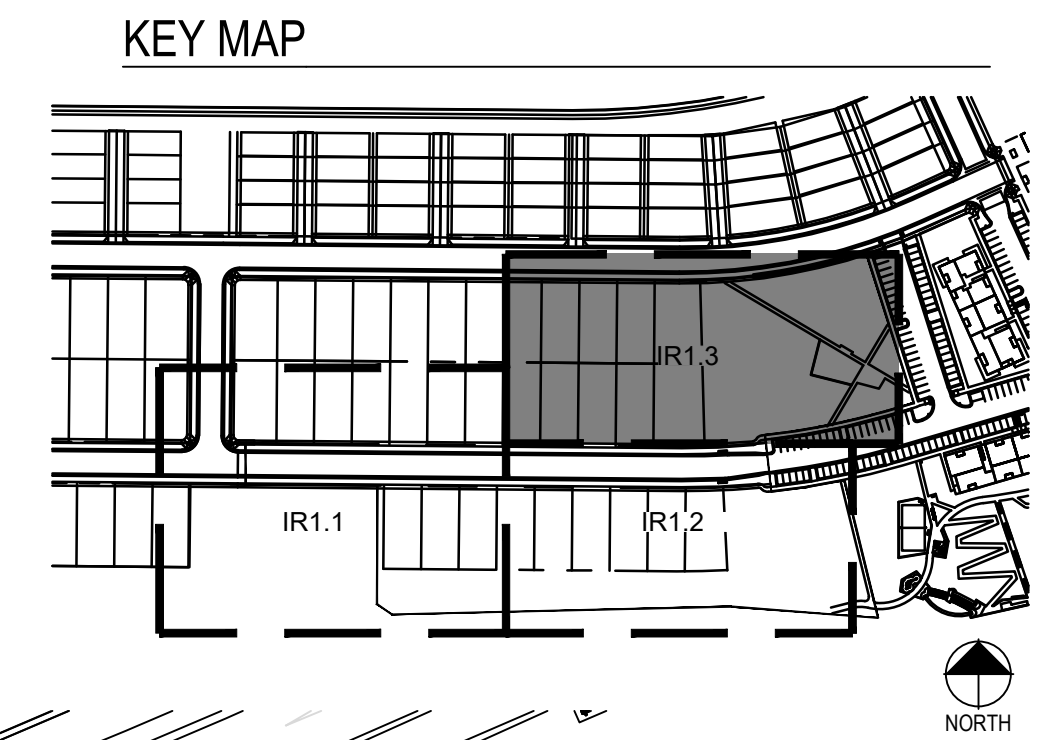
A PARCEL OF LAND LOCATED IN A PORTION OF THE SE OF SECTION 6, TOWNSHIP 6 SOUTH,
RANGE 66 WEST OF THE SIXTH PRINCIPAL MERIDIAN,
TOWN OF PARKER, COUNTY OF DOUGLAS, STATE OF COLORADO
7.69 ACRES, 33 RESIDENTIAL LOTS

Prepared For
CENTURY LAND HOLDINGS, LLC
8390 EAST CRESCENT PKWY
SUITE 650
GREENWOOD VILLAGE, CO 80111
(303) 770-8300
Irrigation Design

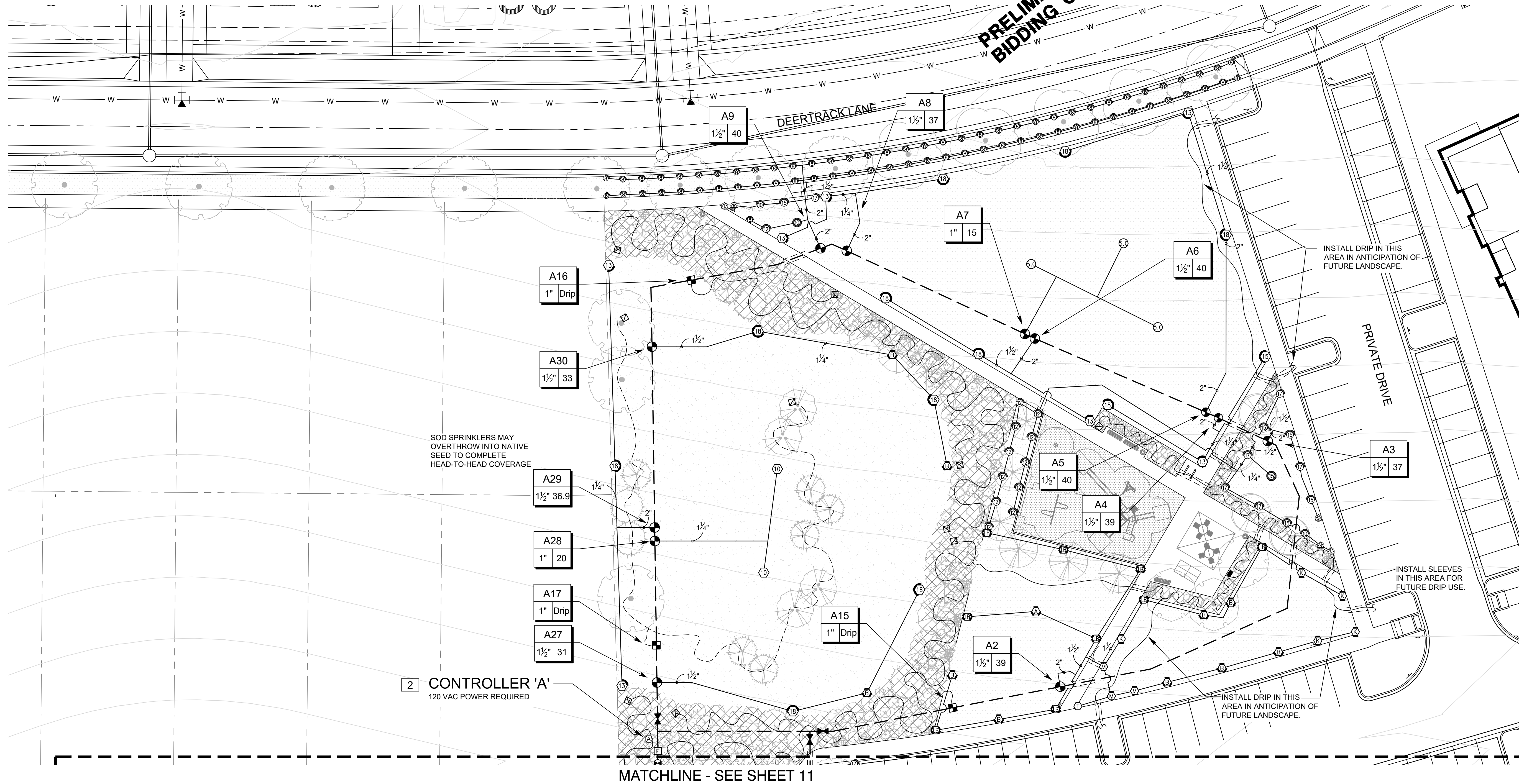
MPi Designs
PO BOX 369 • AULT, CO • 80610
970-402-3047
Michelle@MPiDesignsllc.com

Civil Engineering

MERRICK & COMPANY
5970 GREENWOOD PLAZA BLVD,
GREENWOOD VILLAGE, CO 80111
303.353.3695

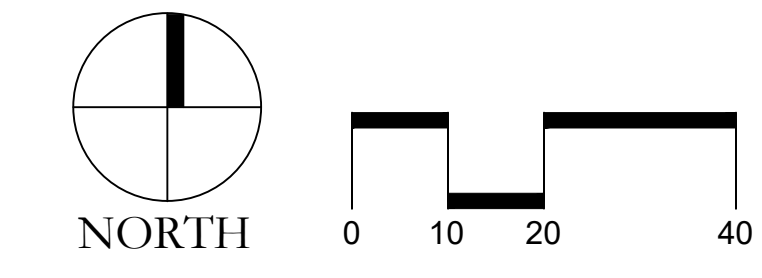


**PRELIMINARY NOT FOR
BIDDING OR CONSTRUCTION**



2 CONTROLLER 'A'
120 VAC POWER REQUIRED

MATCHLINE - SEE SHEET 11



COMPARK VILLAGE SOUTH
IRRIGATION PLANS

PARKER, CO

Stamp:

Drawn by:
MLP
Checked by:
MLP
Issue Date:
04/22/2022
Issued For:
TOWN OF PARKER

Rev#	Revisions	Date
1	TOWN OF PARKER REVIEW	11-08-22
2	FOR CONSTRUCTION	02-10-23
3		
4		
5		
6		
7		
8		

Sheet Name

IRRIGATION
PLAN

Sheet Number

12 of 14

COMPARK VILLAGE SOUTH FILING NO.1, AMENDMENT 3

A PARCEL OF LAND LOCATED IN A PORTION OF THE SE OF SECTION 6, TOWNSHIP 6 SOUTH,
RANGE 66 WEST OF THE SIXTH PRINCIPAL MERIDIAN,
TOWN OF PARKER, COUNTY OF DOUGLAS, STATE OF COLORADO
7.69 ACRES, 33 RESIDENTIAL LOTS

Prepared For
CENTURY LAND HOLDINGS, LLC
8390 EAST CRESCENT PKWY
SUITE 650
GREENWOOD VILLAGE, CO 80111
(303) 770-8300

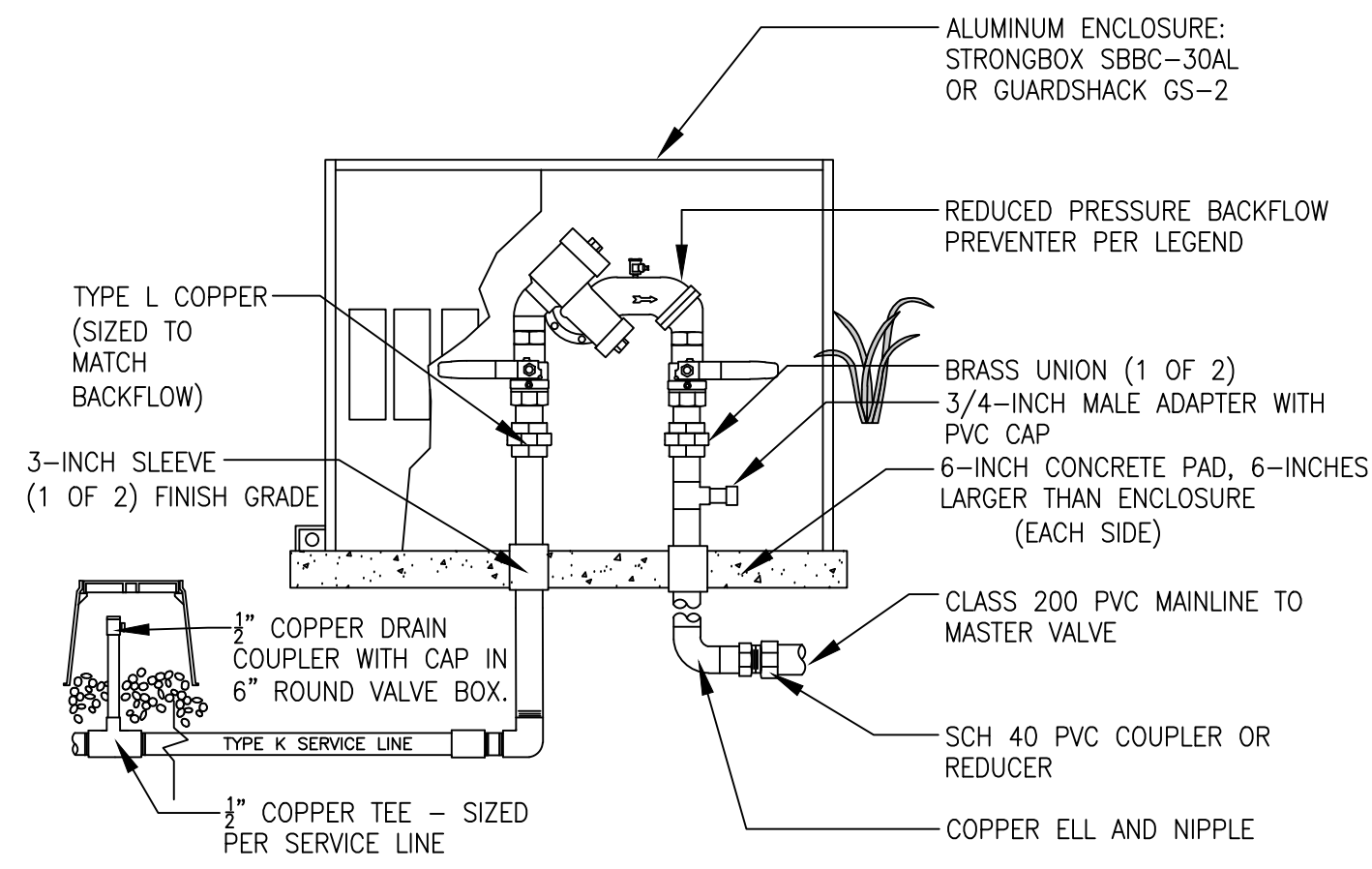
Irrigation Design
MPi Designs
PO BOX 369 • AULT, CO • 80610
970-402-3047
Michelle@MPiDesignsllc.com

Civil Engineering

MERRICK & COMPANY
5970 GREENWOOD PLAZA BLVD,
GREENWOOD VILLAGE, CO 80111
303.353.3695

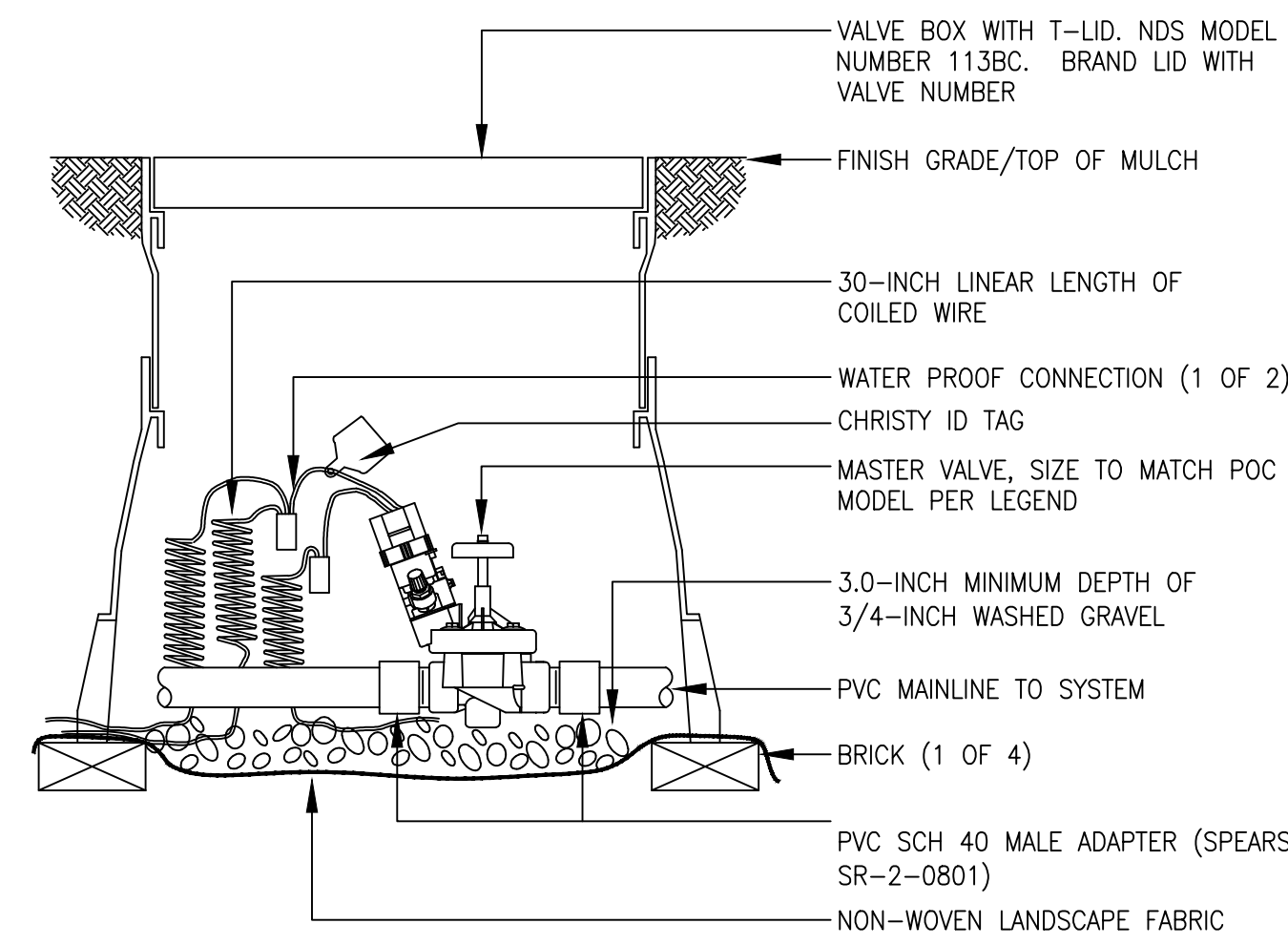
COMPARK VILLAGE SOUTH
IRRIGATION PLANS

PARKER, CO



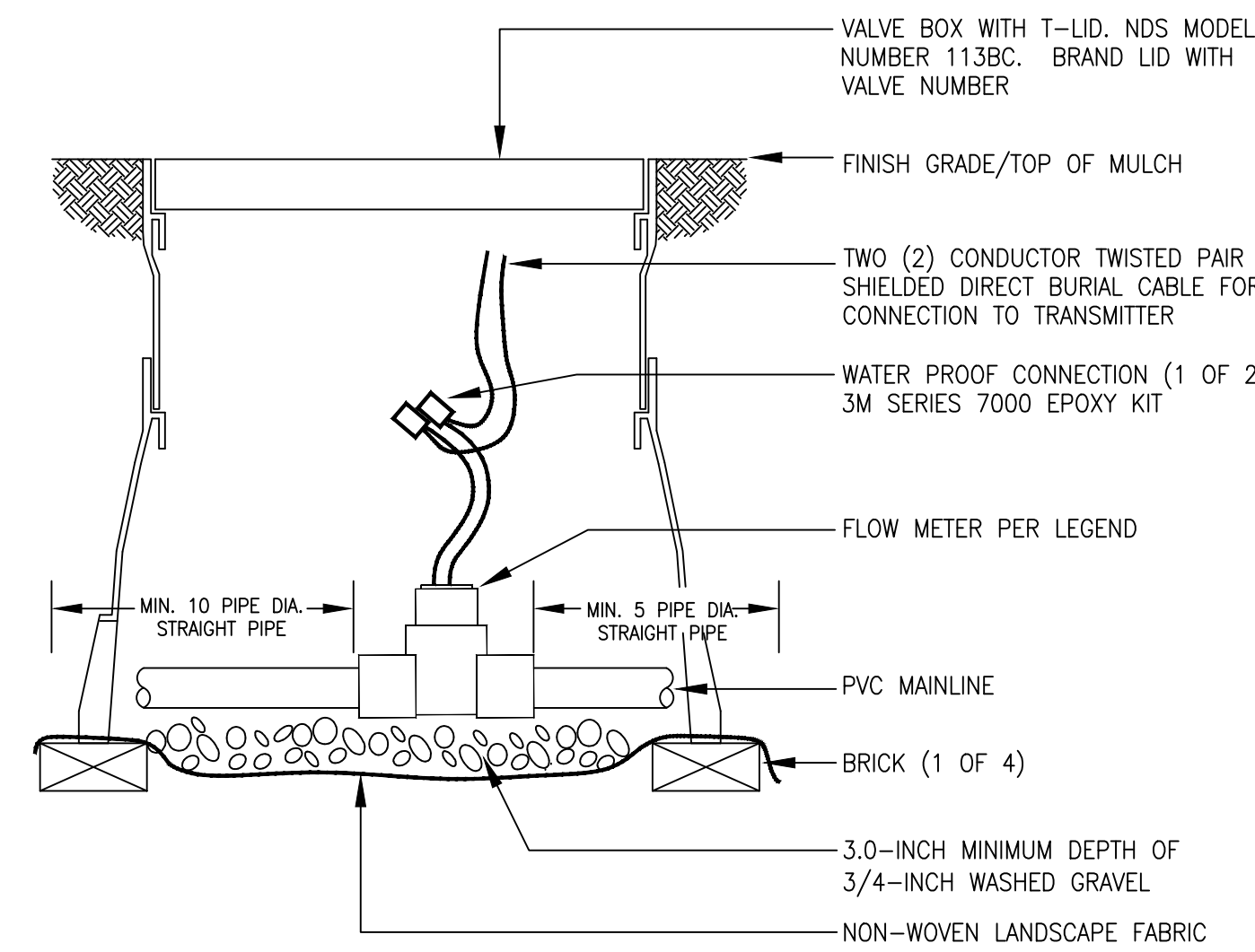
- NOTES:
1. INSTALL BACKFLOW DEVICE IN ACCORDANCE WITH ALL STATE AND LOCAL CODE REQUIREMENTS.
2. SLOPE TOP SURFACE OF PAD AT 0.5 % WITH BROOM FINISH. MAKE PIPE SLEEVES WITH 1-1/2 INCH LARGER DIAMETER PIPE THAN PENETRATING PIPE SIZE.
3. ALL HINGED CONNECTION LOCATIONS AND HARDWARE TO BE TAMPER PROOF.
4. ALL WELD JOINTS SHALL BE CONTINUOUS AND GROUND SMOOTH.

1 BACKFLOW PREVENTION UNIT

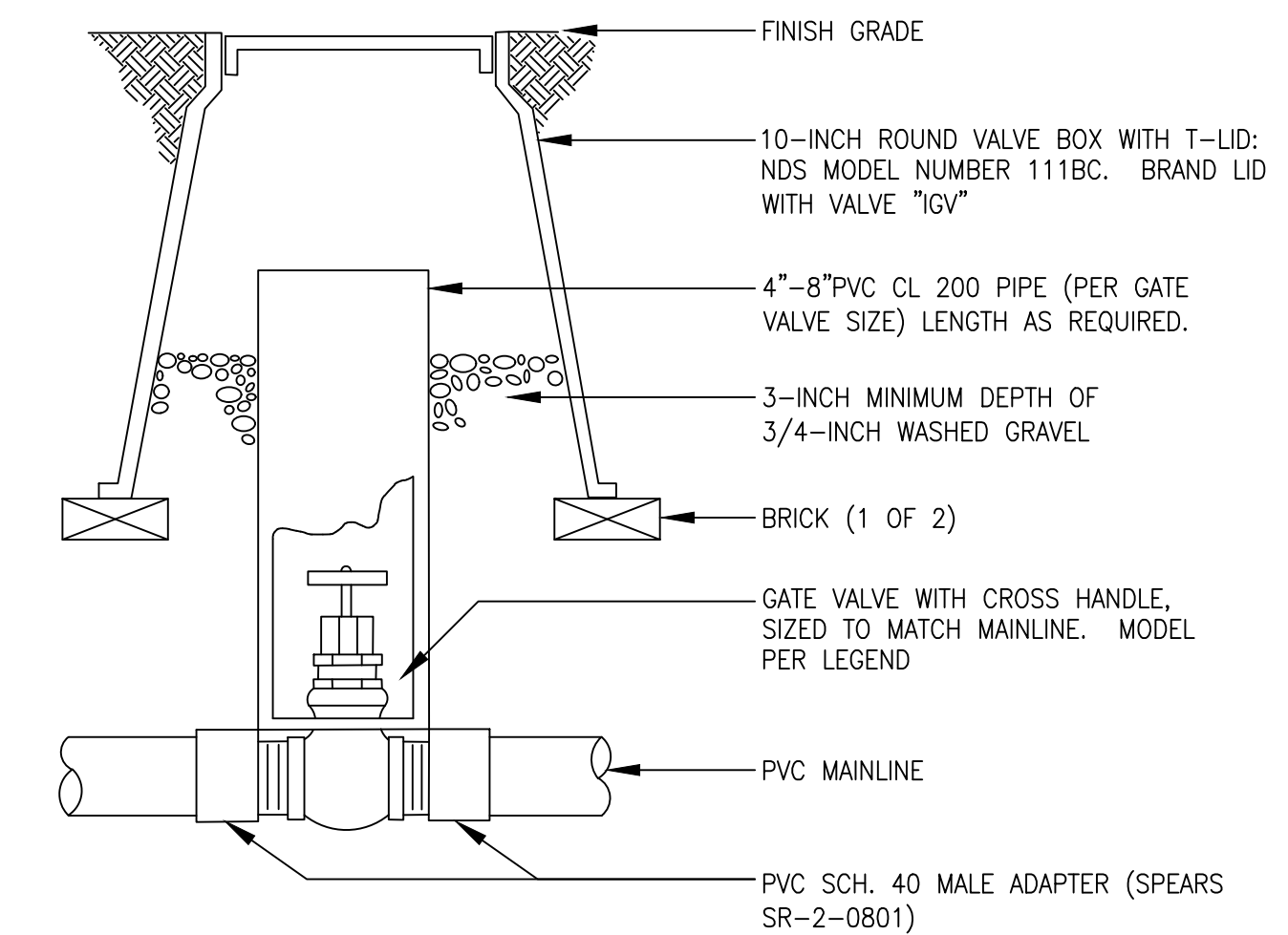


- NOTE:
1. FOR 2-WIRE CONTROL SYSTEMS, DIRECT WIRE MASTER VALVE INTO MV SENSOR PORT. DECODER IS AN OPTIONAL CONNECTION.

2 MASTER VALVE ASSEMBLY

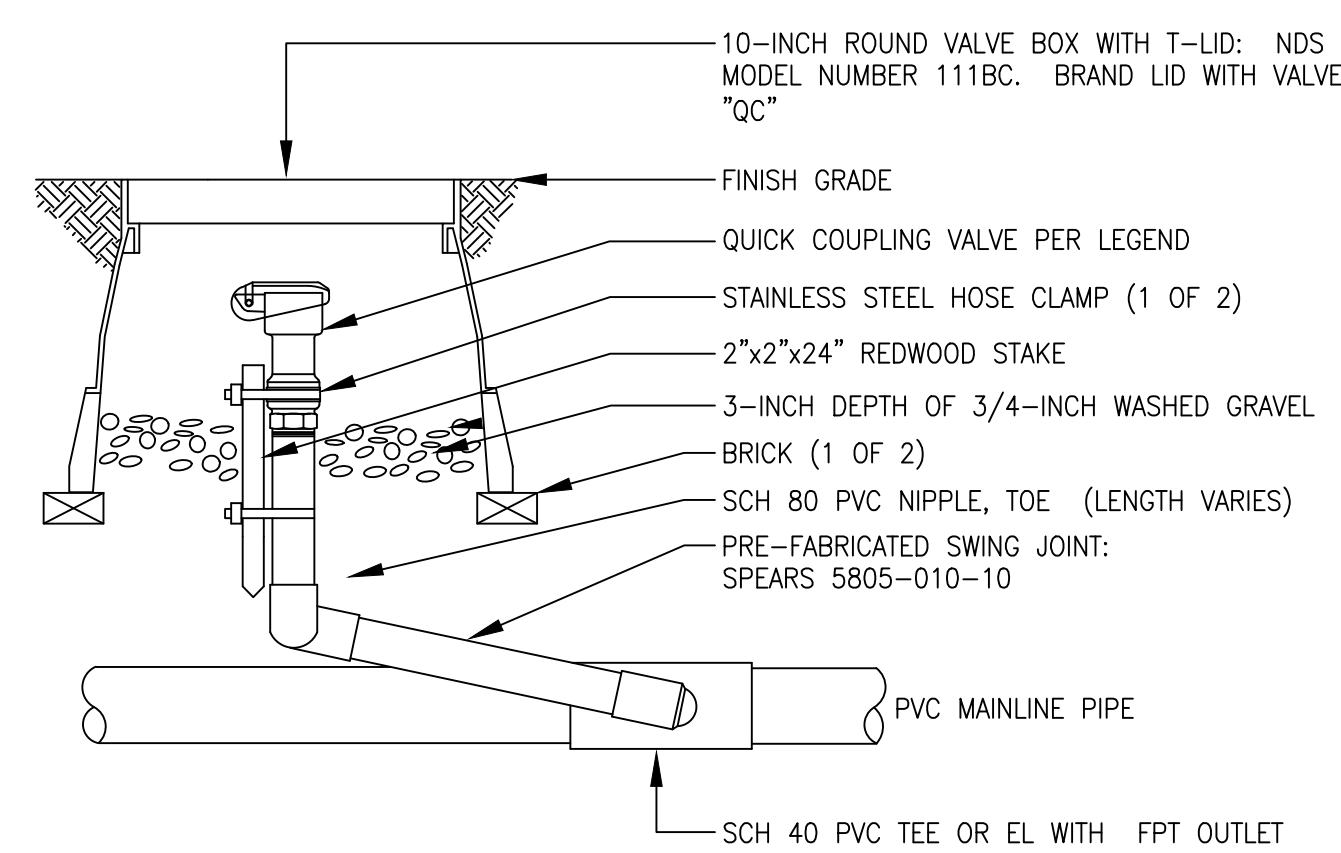


3 FLOW SENSOR ASSEMBLY

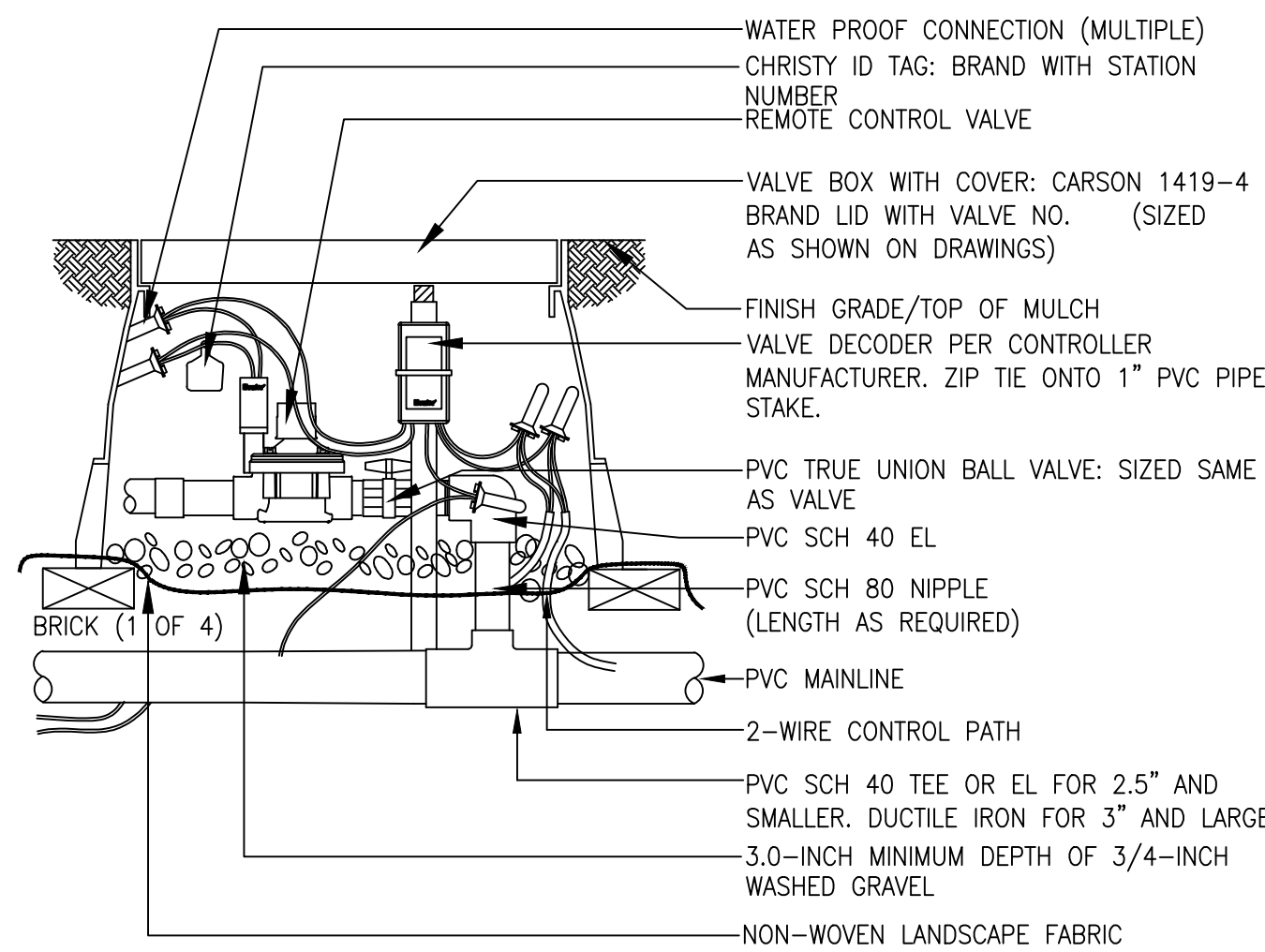


- NOTES:
1. NOMINAL SIZE OF GATE VALVE TO MATCH NOMINAL MAINLINE SIZE.

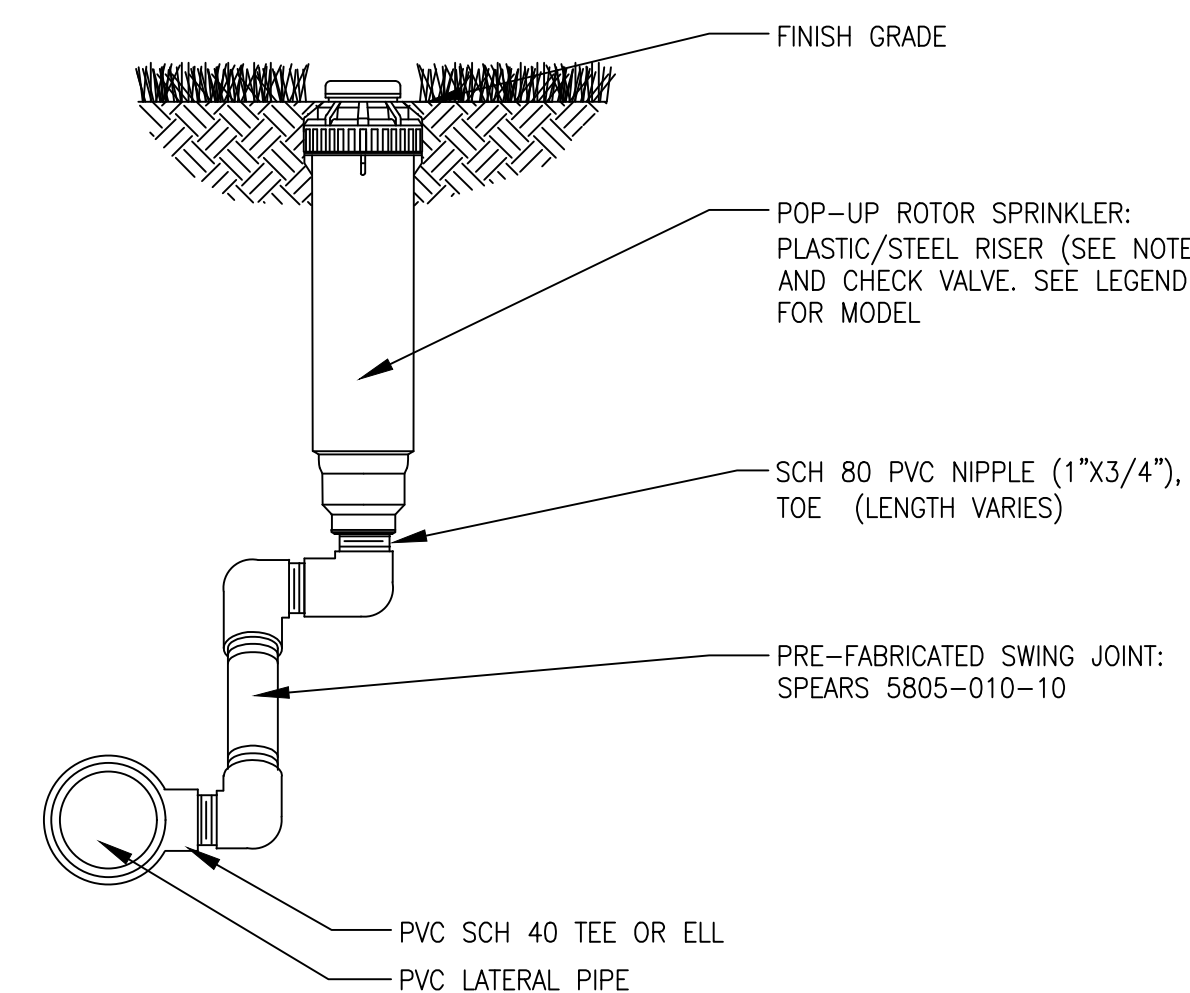
4 ISOLATION GATE VALVE ASSEMBLY



5 QUICK COUPLING VALVE ASSEMBLY

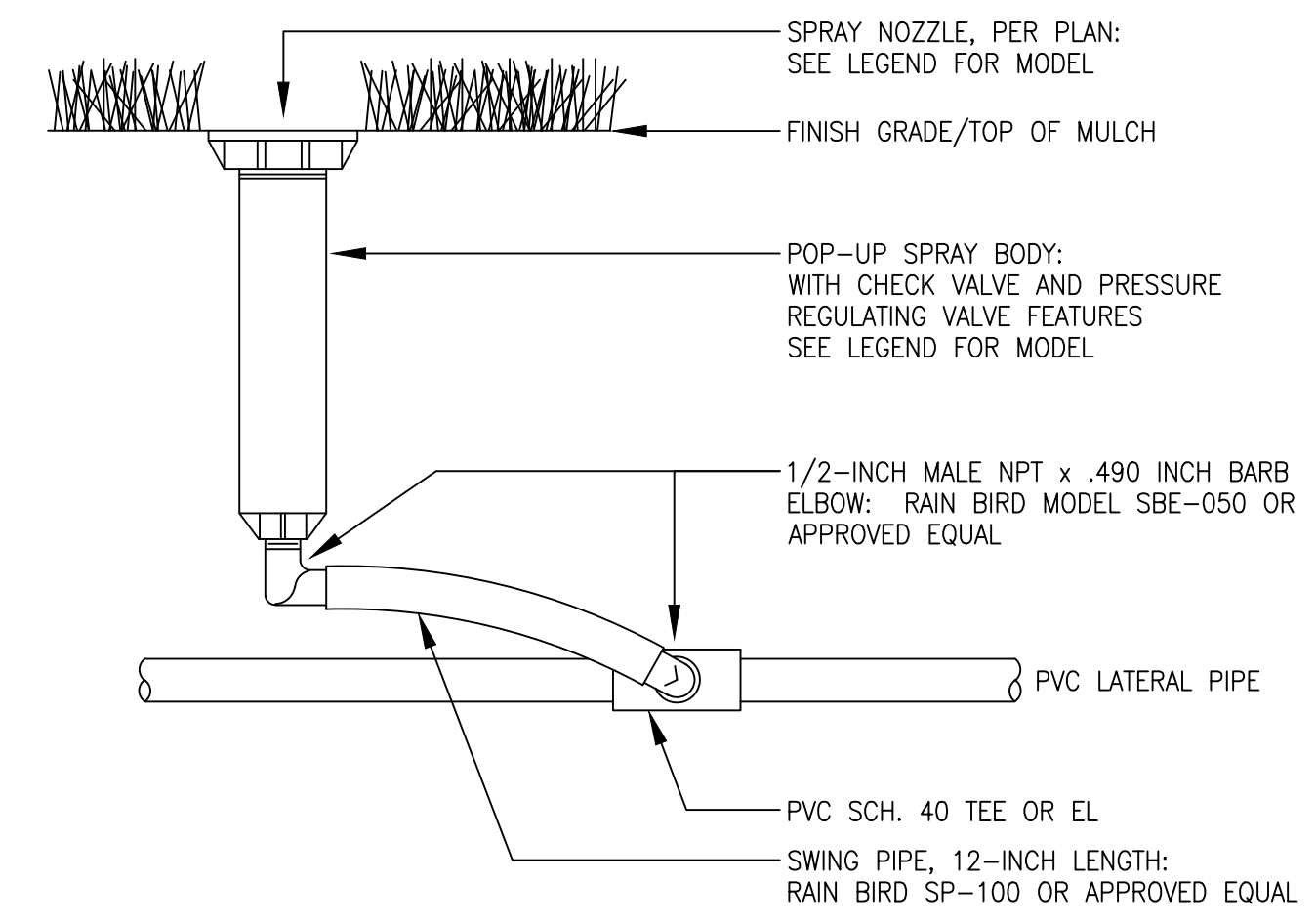


6 REMOTE CONTROL TURF VALVE ASSEMBLY



- NOTES:
1. INSTALL PLASTIC RISERS FOR ROTORS IN NATIVE AREAS.

7 6-INCH GEAR-DRIVEN ROTOR ASSEMBLY



- NOTES:
1. UTILIZE 40 PSI PRESSURE REGULATING STEM FOR HEADS WITH ROTARY NOZZLES.
2. UTILIZE 30 PSI PRESSURE REGULATING STEM FOR HEADS WITH SPRAY NOZZLES.

8 6-INCH POP-UP SPRAY SPRINKLER ASSEMBLY

PRELIMINARY NOT FOR BIDDING OR CONSTRUCTION

Stamp:

Drawn by:
MLP
Checked by:
MLP
Issue Date:
04/22/2022
Issued For:
TOWN OF PARKER

Rev#	Date	Revisions
1	11-08-22	TOWN OF PARKER REVIEW
2	02-10-23	FOR CONSTRUCTION
3		
4		
5		
6		
7		
8		

Sheet Name

IRRIGATION DETAILS

Sheet Number

COMPARK VILLAGE SOUTH FILING NO.1, AMENDMENT 3

A PARCEL OF LAND LOCATED IN A PORTION OF THE SE OF SECTION 6, TOWNSHIP 6 SOUTH,
RANGE 66 WEST OF THE SIXTH PRINCIPAL MERIDIAN,
TOWN OF PARKER, COUNTY OF DOUGLAS, STATE OF COLORADO
7.69 ACRES, 33 RESIDENTIAL LOTS

Prepared For
CENTURY LAND HOLDINGS, LLC
8390 EAST CRESCENT PKWY
SUITE 650
GREENWOOD VILLAGE, CO 80111
(303) 770-8300
Irrigation Design

MPi Designs
PO BOX 369 • AULT, CO • 80610
970-402-3047
Michelle@MPiDesignsllc.com

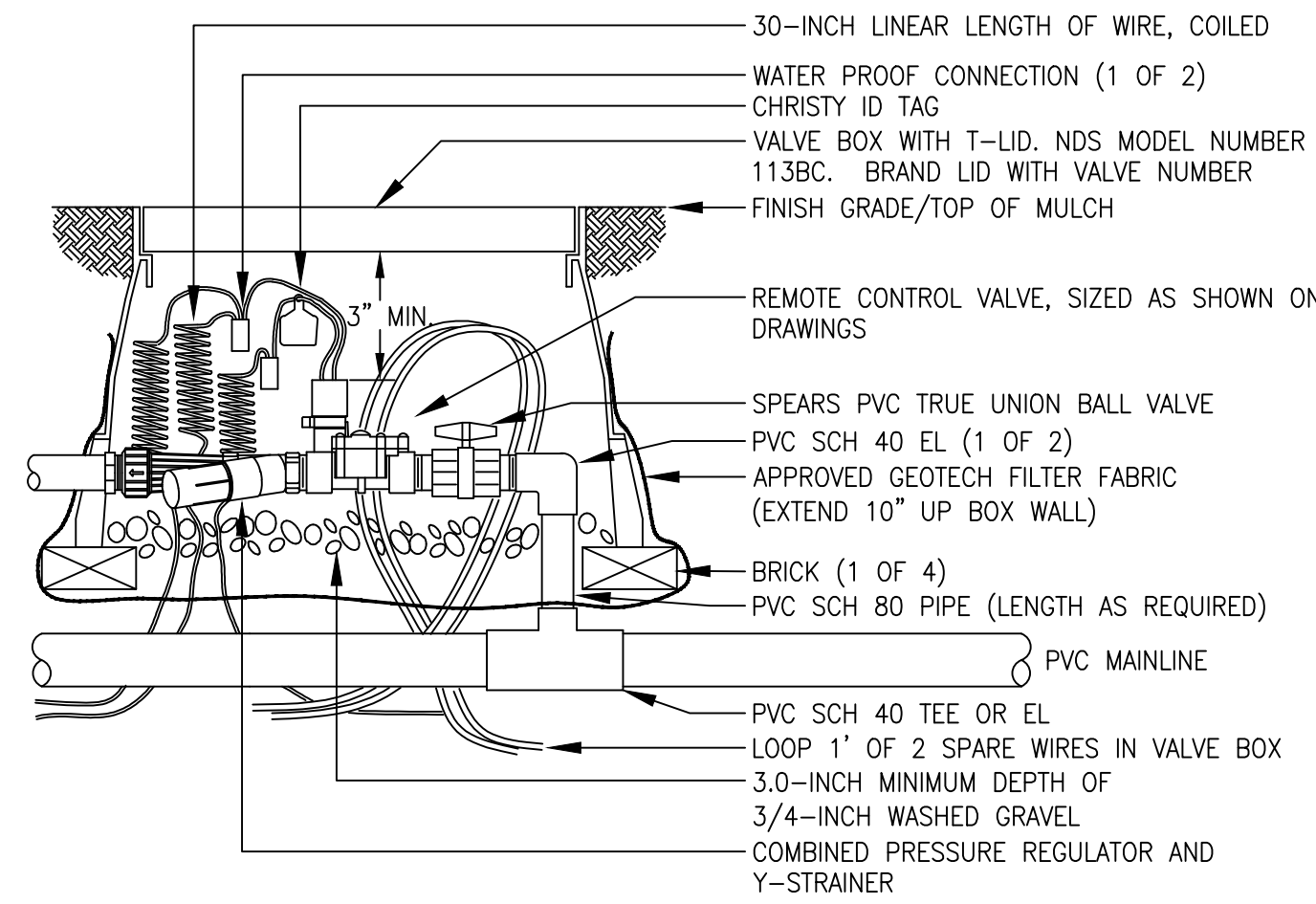
Civil Engineering

MERRICK & COMPANY
5970 GREENWOOD PLAZA BLVD,
GREENWOOD VILLAGE, CO 80111
303.353.3695

COMPARK VILLAGE SOUTH
IRRIGATION PLANS

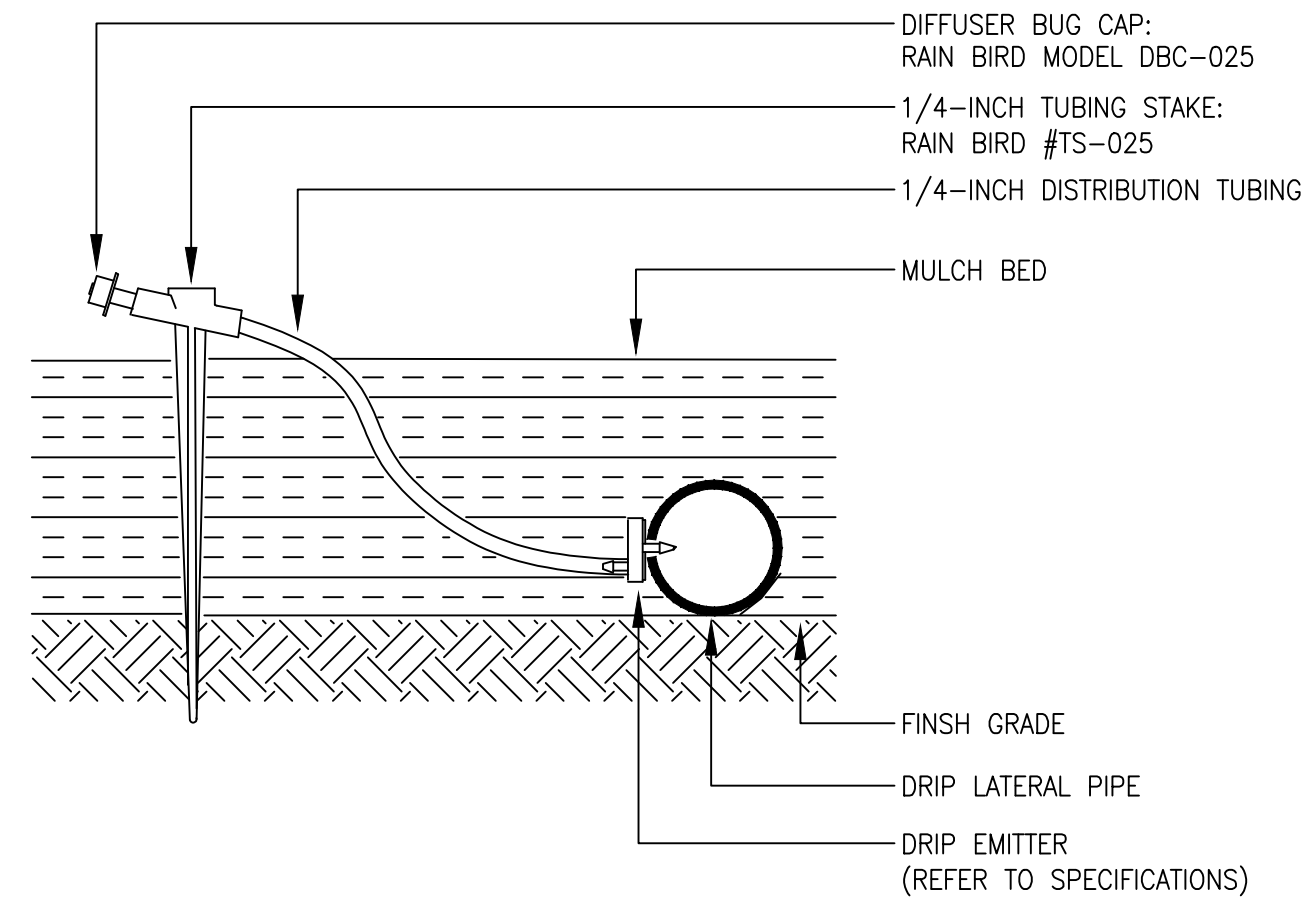
PARKER, CO

PRELIMINARY NOT FOR
BIDDING OR CONSTRUCTION

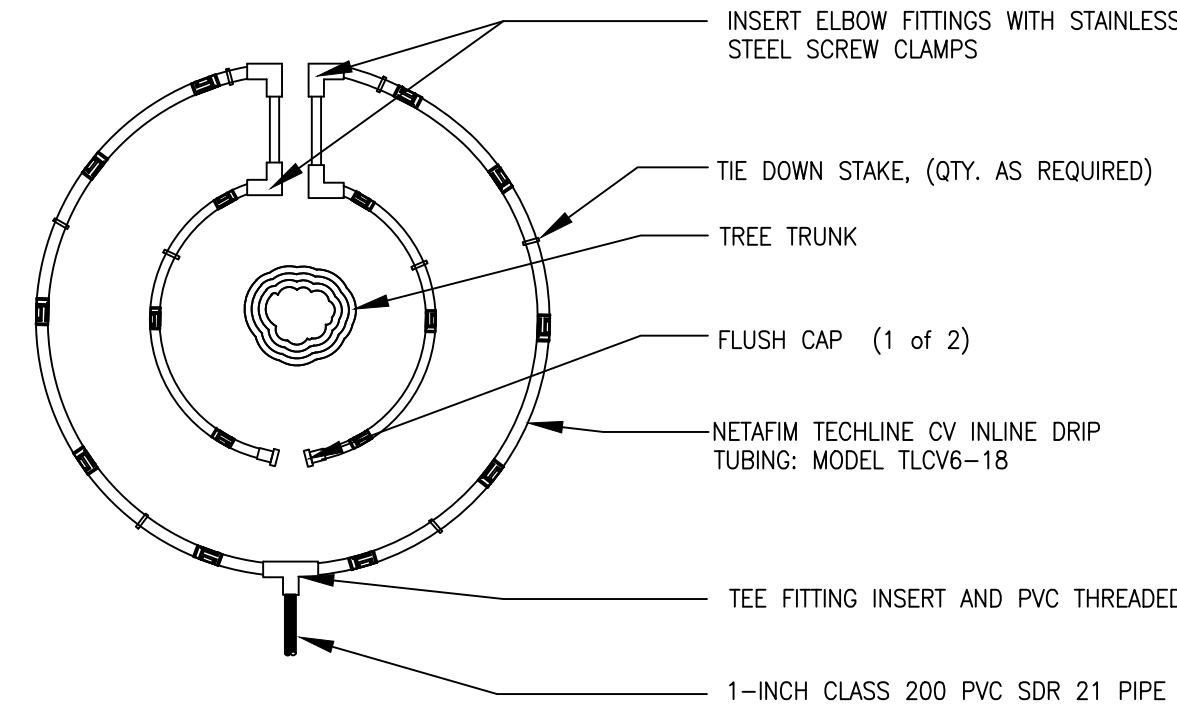


- NOTE:
1. USE BARBED INSERT FITTINGS ON DRIP LATERAL PIPE WITH HOSE CLAMPS. PLACE CLAMPS ON DRIP TUBING DIRECTLY OVER BARBED AREA OF FITTING. PINCH CLAMPS ARE NOT ACCEPTABLE.
2. UTILIZE RAIN BIRF XCZ-LF-100-PRF FOR FLOWS LESS THAN 5 GPM.

9 REMOTE CONTROL DRIP VALVE ASSEMBLY

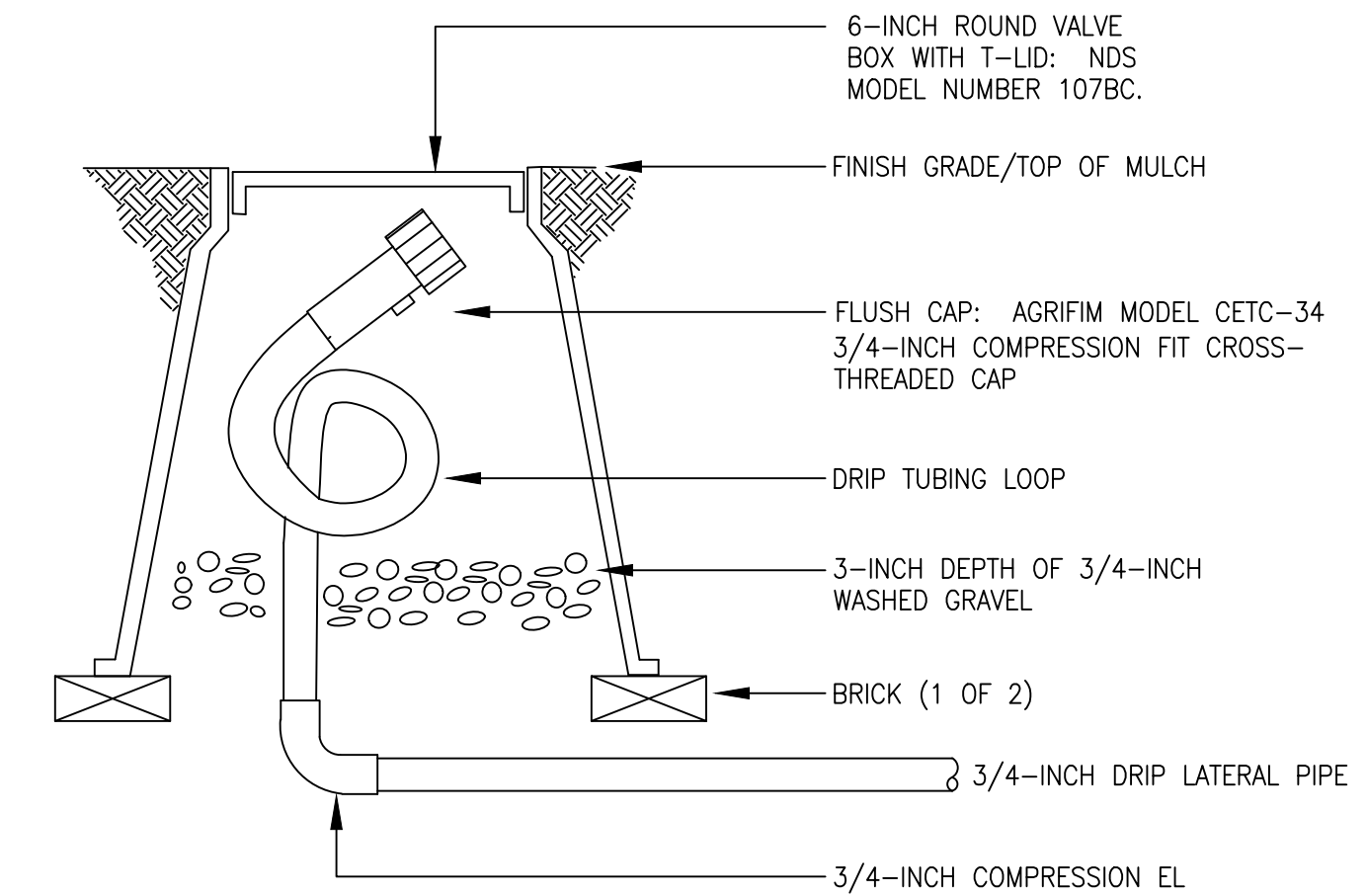


10 SINGLE OUTLET EMITTER ASSEMBLY



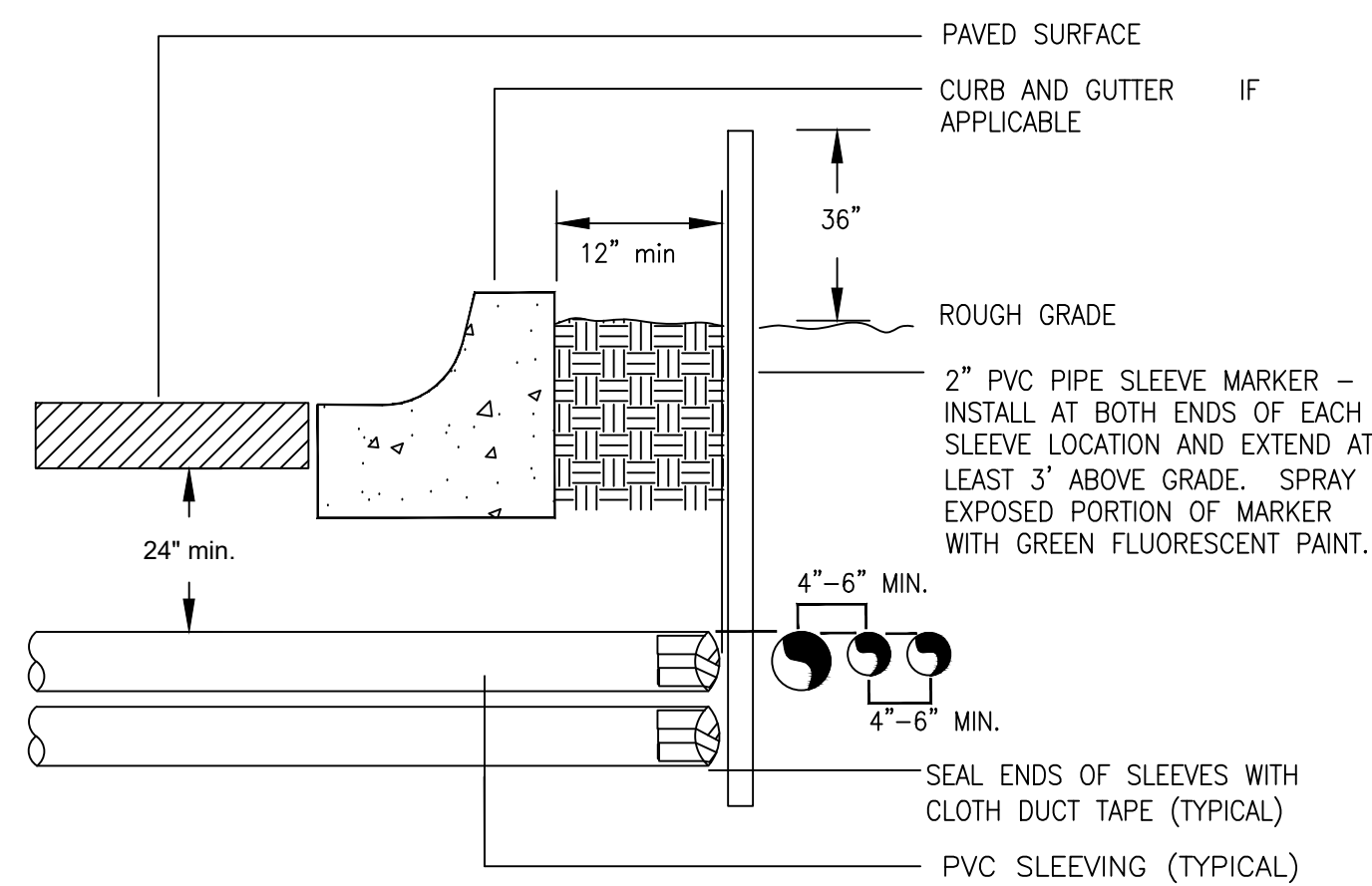
- NOTE:
1. CONTRACTOR SHALL INSTALL ALL DRIP TUBING IN NATIVE AREAS 2-3" BELOW GRADE IF MULCH IS NOT PRESENT. IF MULCH IS PRESENT, LAY TUBING ON FINISHED GRADE BELOW MULCH.
2. DIAMETER OF DRIPLINE RINGS ARE DEPENDENT ON TREE CANOPY SIZE AND SHALL BE ADJUSTED IN THE FIELD PER CONTRACTOR. SUGGESTED PLACEMENT OF 2' DIAMETER AND 3' DIAMETER AROUND TREE.
3. SHRUBS IN NATIVE SHALL UTILIZE SINGLE OUTLET EMITTERS.

11 INLINE DRIP PIPE ASSEMBLY FOR TREES IN NATIVE



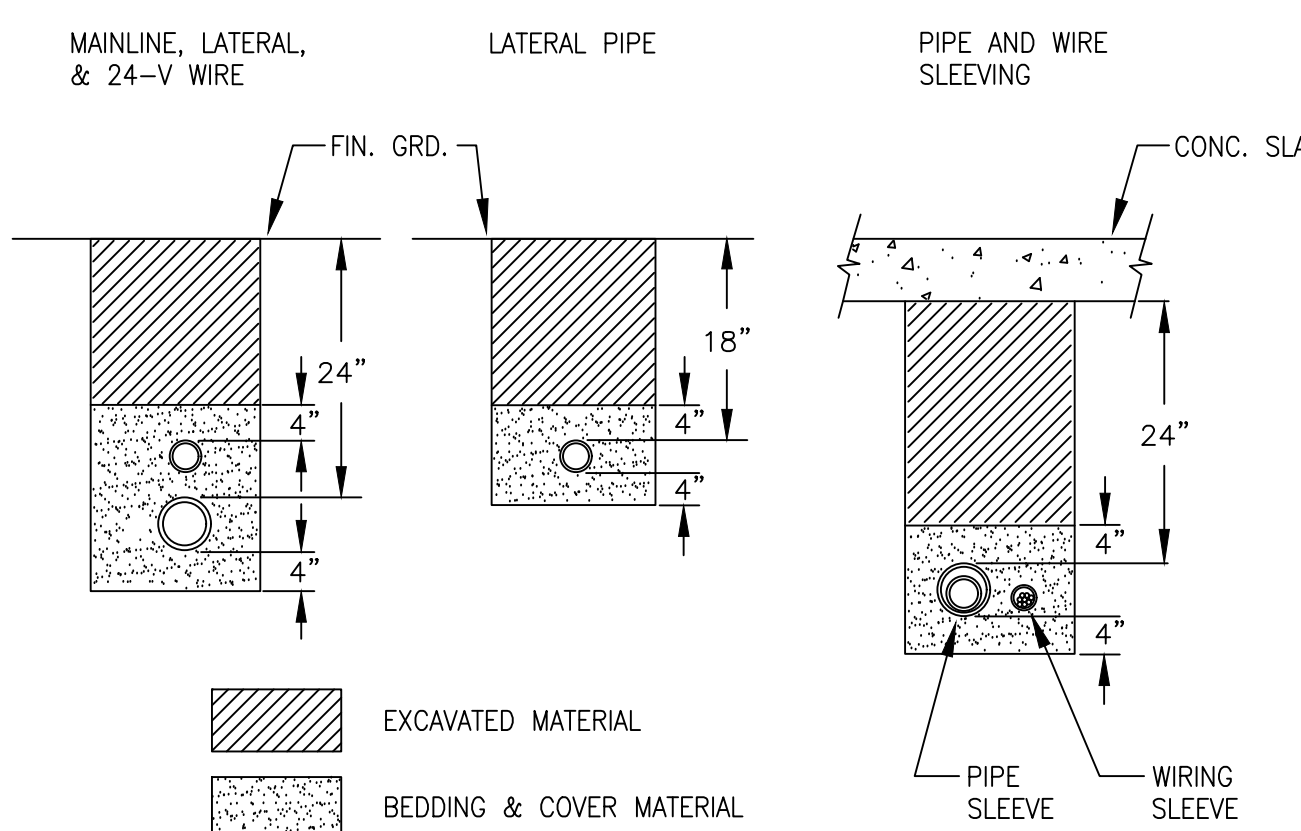
- NOTE:
1. LOOP IRRIGATION DRIP TUBING INSIDE VALVE BOX FOR EXTENSION OUTSIDE OF BOX DURING BLOWOUT.

12 DRIP FLUSH CAP ASSEMBLY



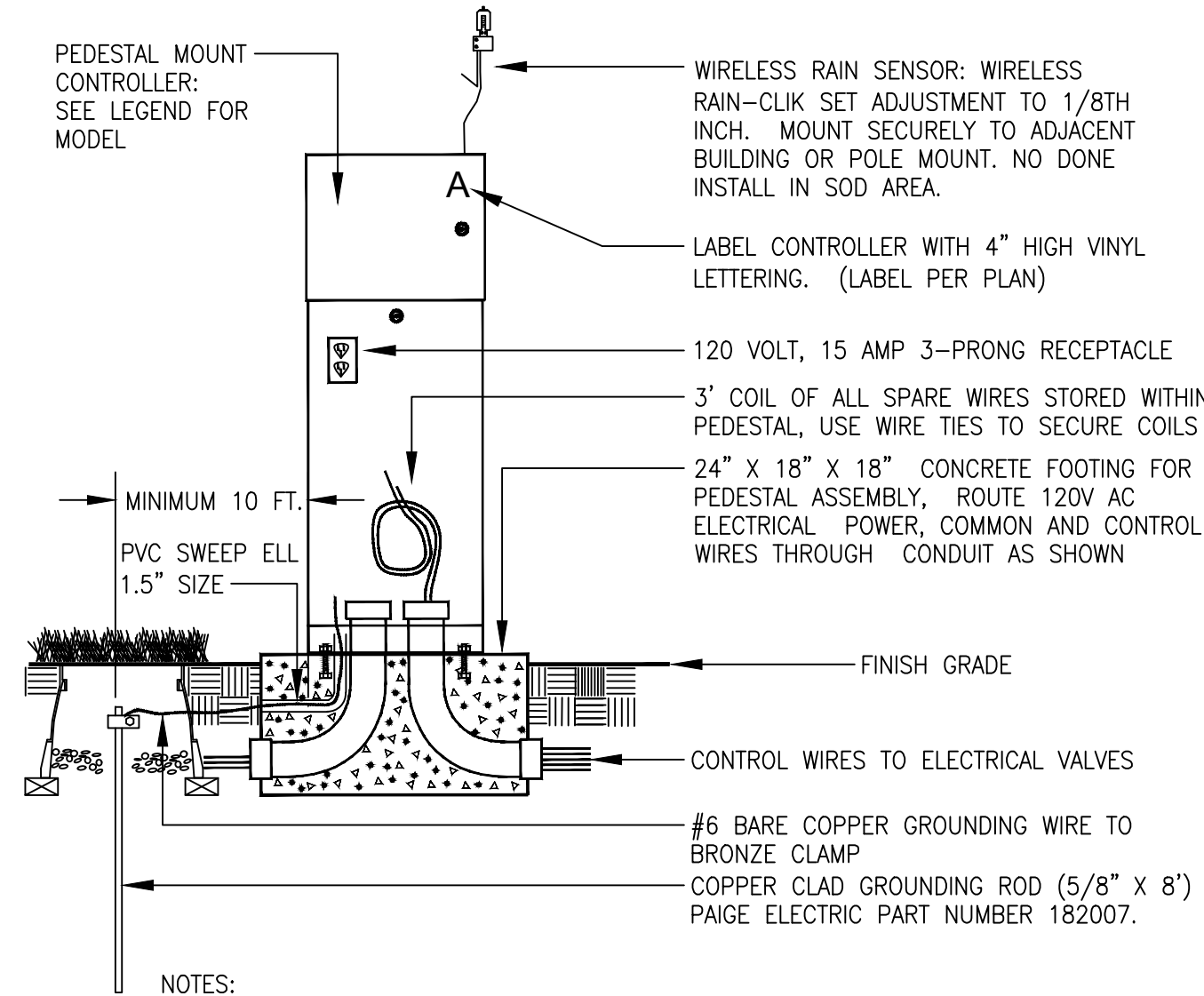
- NOTE:
1) ALL SLEEVING TO BE CLASS 200 BE PVC, SIZED AS NOTED.
2) INSTALL SLEEVES IN SIDE-BY-SIDE CONFIGURATION WHERE MULTIPLE SLEEVES ARE TO BE INSTALLED. SPACE SLEEVES 4" TO 6" APART. DO NOT STACK SLEEVES VERTICALLY.

13 TYPICAL SLEEVING DETAIL



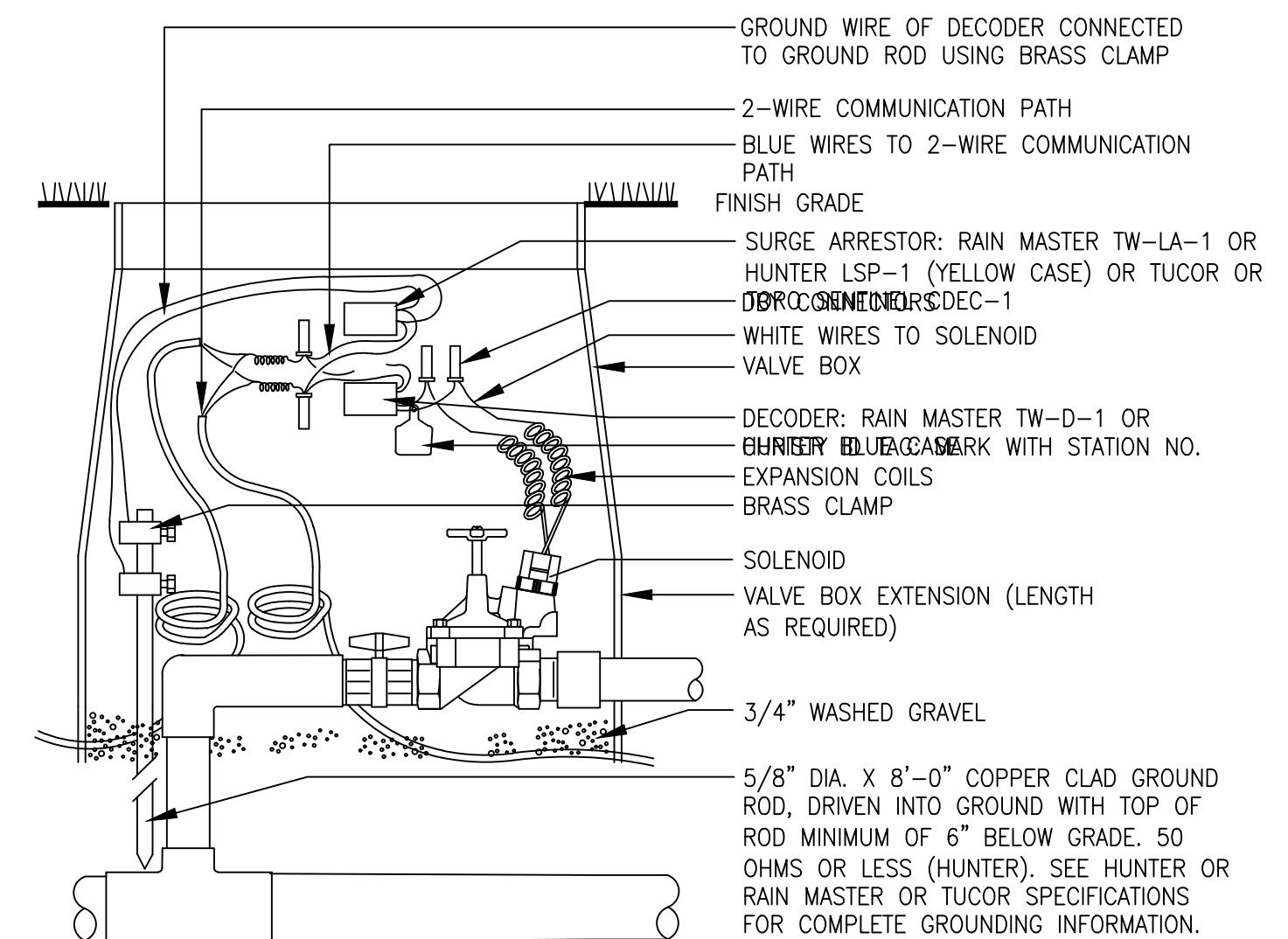
- NOTES:
1. SLEEVE ALL PIPE AND WIRE SEPARATELY.
2. ALL PIPE TO BE INSTALLED PER MANUFACTURER'S SPECIFICATIONS. "SNAKE" UNSLEEVED PLASTIC PIPE IN TRENCH. PROVIDE A MINIMUM OF 2" CLEARANCE TO SIDE OF TRENCH AND BETWEEN PIPES.
3. ALL 120-V WIRING SHALL BE INSTALLED IN ACCORDANCE WITH LOCAL CODE REQUIREMENTS. TAPE AND BUNDLE 24-V WIRE EVERY 10' AND PROVIDE LOOSE 20" LOOP AT ALL CHANGES OF DIRECTION OVER 30 DEGREES.

14 TYPICAL TRENCHING DETAIL



- NOTE:
1. INSTALL RAIN SENSOR ON TREATED 4X4 POST IF CONTROLLER IS IN TURF AREA. POST TO BE MOUNTED IN SHRUB BED TO AVOID BEING IRRIGATED BY OVERHEAD SPRINKLERS.

15 PEDESTAL MOUNT CONTROLLER ASSEMBLY



- NOTES: WIRES MUST EXTEND 12" ABOVE VALVE BOX FOR SERVICE.

16 TYPICAL GROUNDING (AT VALVE) ASSEMBLY

Stamp:

Drawn by:
MLP
Checked by:
MLP
Issue Date:
04/22/2022
Issued For:
TOWN OF PARKER

Rev#	Date	Revisions
1	11-08-22	TOWN OF PARKER REVIEW
2	02-10-23	FOR CONSTRUCTION
3		
4		
5		
6		
7		
8		

Sheet Name

IRRIGATION
DETAILS

Sheet Number